

# *Spare Parts Catalogue*

---

Version: 2010/08/11a EN



*Invacare*® **ZEPHYR**



**Yes, you can.®**

## **General Information**

*For any order of spare parts the following information is required:*

- Product type*
- Product name & model*
- Serial Number*
- Part-Number*
- Part-Description*

*Exploded view drawings and code numbers are not contractual and subject to modification, in relation to Invacare® continuous product improvement policy to meet end users needs.*

*The reproduction or use of this work, or of any substantial part of this work, in any form or by any electronic, mechanical or other means, including photocopying, scanning and recording, and in any information storage and retrieval system, including electronic transmission, is forbidden without the prior written permission of Invacare® International Sarl.*



Yes, you can.®

## TABLE OF CONTENTS

---

### Information

User Manuals Zephyr .....	7
User Manuals REM550 .....	8
User Manuals IDC Dual Control .....	9

### Chassis

Lifter .....	10
Front Swing Arm .....	11
Rear Swing Arm .....	12
Chassis .....	13
Rear cowling with light .....	14
Chassis cowlings .....	15
Rear cowling without light .....	16
Suspension .....	17

### Seat

Seat plates .....	18
Bellow Zephyr .....	20
Seat Cushion .....	21

### Backrest

Backrest Adjustment, Standard .....	22
Backrest adjustment Flex/Contour electric .....	23
Backrest Frame, Flex .....	25
Backrest Frame, Contour .....	26
Backrest frame standard .....	27
Backrest Adjustment Flex/Contour manual .....	28
Backrest adjustment Assembly Kit .....	29

### Legrests

Hanger manually .....	30
Lower Legrests .....	31
Hanger electrical .....	32
Legrest Bracket, Electric 5cm 07/2005 ==> .....	33
Upper Vari F, right .....	34
Upper Vari F, left .....	35
Upper Vari A, rechts .....	36
Upper Vari A, left .....	37
Upper Vari ADP, left .....	38
Assembly Kit, ADM Hangers .....	39
Assembly Kit, ADM Sliding Bush .....	40
Assembly, Trip Lever + Lock Lever .....	41
Assembly Kit ADP, Actuator Bracket .....	42
Assembly Kit ADP, Hoist Motor .....	43
Upper Vari ADP, right .....	44
Assembly Kit, ADM Hangers .....	39
Assembly Kit, ADM Sliding Bush .....	40
Assembly, Trip Lever + Lock Lever .....	41
Assembly Kit ADP, Actuator Bracket .....	42



Yes, you can.®

## TABLE OF CONTENTS

---

Assembly Kit ADP, Hoist Motor	43
Assembly Kit ADP, Actuator Bracket	42
Assembly Kit ADP, Hoist Motor	43
Upper Vari ADM, left	45
Assembly Kit, ADM Hangers	39
Assembly Kit, ADM Sliding Bush	40
Assembly, Trip Lever + Lock Lever	41
Assembly Kit, ADM Adjustment	46
Upper Vari ADM, left	45
Assembly Kit, ADM Hangers	39
Assembly Kit, ADM Sliding Bush	40
Assembly, Trip Lever + Lock Lever	41
Assembly Kit, ADM Adjustment	46
Upper Vari ADM, right	47
Assembly Kit, ADM Hangers	39
Assembly Kit, ADM Sliding Bush	40
Assembly, Trip Lever + Lock Lever	41
Assembly Kit, ADM Adjustment	46
Upper Vari ADM, right	47
Assembly Kit, ADM Hangers	39
Assembly Kit, ADM Sliding Bush	40
Assembly, Trip Lever + Lock Lever	41
Assembly Kit, ADM Adjustment	46
Assembly Kit, ADM Hangers	39
Assembly Kit, ADM Sliding Bush	40
Assembly, Trip Lever + Lock Lever	41
Assembly Kit, ADM Adjustment	46
Legrest Bracket, Electric 8cm	48
Legrest Bracket, Electric 8cm	48
Footplate flip up 01.08.10 ==>	49
Footplate flip up, angle-adjustable 01.08.10 ==>	50
Moover Legrests, manually, right and left	51
Moover Legrests Lower Parts	52
Moover Legrests electrically, right and left	53
Footrest Lower Parts	54
Legrests, central mounted	55

### Siderests

Side Panels, Standard	56
Sliding Armrest	57
Armrests, cpl.	58

### Front Wheels

Guiding wheels/Guiding fork	60
Anti-tip mechanism	61

### Rear Wheels

Driving Wheels	62
----------------	----

### Propulsion



Yes, you can.®

## TABLE OF CONTENTS

---

Drive .....	63
Clutch .....	64
<b>Controls Drive</b>	
Electronics .....	65
<b>Control Adjustment</b>	
Remote fixation, for user .....	66
Remote .....	67
Dual Control .....	68
Chin Control Assembly Kit .....	69
Central Steering .....	70
Chin Control Dash Board .....	71
Remote Bracket .....	72
G90 & Holder .....	73
G91 & Holder .....	74
IDC Dual Control .....	75
Remote REM550 & Holder .....	76
<b>Cable &amp; Charger</b>	
Cable & Charger .....	77
<b>Safety Options</b>	
Front Light .....	78
Front Light .....	79
Rear Light .....	80
Fixation Belts .....	81
<b>Seating Options</b>	
Seat Cushions Adults .....	82
Remote fixation, standard/ swing away .....	83
Backrest Cushions Adults .....	84
Headrest .....	85
<b>Other Options &amp; Accessories</b>	
Options .....	87
Docking Station .....	88
Tray .....	89



CS	ČESKY	FR	FRANÇAIS	PL	POLSKI
DA	DANSK	HR	HRVATSKI	PT	PORTUGUÊS
DE	DEUTSCH	HU	MAGYAR	SK	SLOVENČINA
EN	ENGLISH	IT	ITALIANO	SL	SLOVENŠČINA
ES	ESPAÑOL	LT	LIETUVIŲ KALBA	SV	SVENSKA
ET	EESTI KEEL	NL	NEDERLANDS	RO	ROMÂNĂ
FI	SUOMEN KIELI	NO	NORSK	JA	日本語

Pos.	Part number	Description	Valid from → until	Qty
DE	1492728	User Manual Zephyr German		1
EN	1493062	User Manual Zephyr English		1
FR	1498323	User Manual Zephyr French		1
NL	1498324	User Manual Zephyr Dutch		1
SV	1498325	User Manual Zephyr Swedish		1
DA	1498326	User Manual Zephyr Danish		1
IT	1509721	User Manual Zephyr Italian		1

## User Manuals REM550

CS	ČESKY	FR	FRANÇAIS	PL	POLSKI
DA	DANSK	HR	HRVATSKI	PT	PORTUGUÊS
DE	DEUTSCH	HU	MAGYAR	SK	SLOVENČINA
EN	ENGLISH	IT	ITALIANO	SL	SLOVENŠČINA
ES	ESPAÑOL	LT	LIETUVIŲ KALBA	SV	SVENSKA
ET	EESTI KEEL	NL	NEDERLANDS	RO	ROMÂNĂ
FI	SUOMEN KIELI	NO	NORSK	JA	日本語

Pos.	Part number	Description	Valid from → until	Qty
DA	1528088	User Manual REM550 Danish		1
DE	1528089	User Manual REM550 German		1
ES	1528091	User Manual REM550 Spanish		1
FI	1528092	User Manual REM550 Finsk		1
FR	1528093	User Manual REM550 French		1
IT	1528094	User Manual REM550 Italiano		1
NL	1528095	User Manual REM550 Dutch		1
NO	1528096	User Manual REM550 Norsk		1
PT	1528097	User Manual REM550 Portuguese		1
SV	1528098	User Manual REM550 Swedish		1

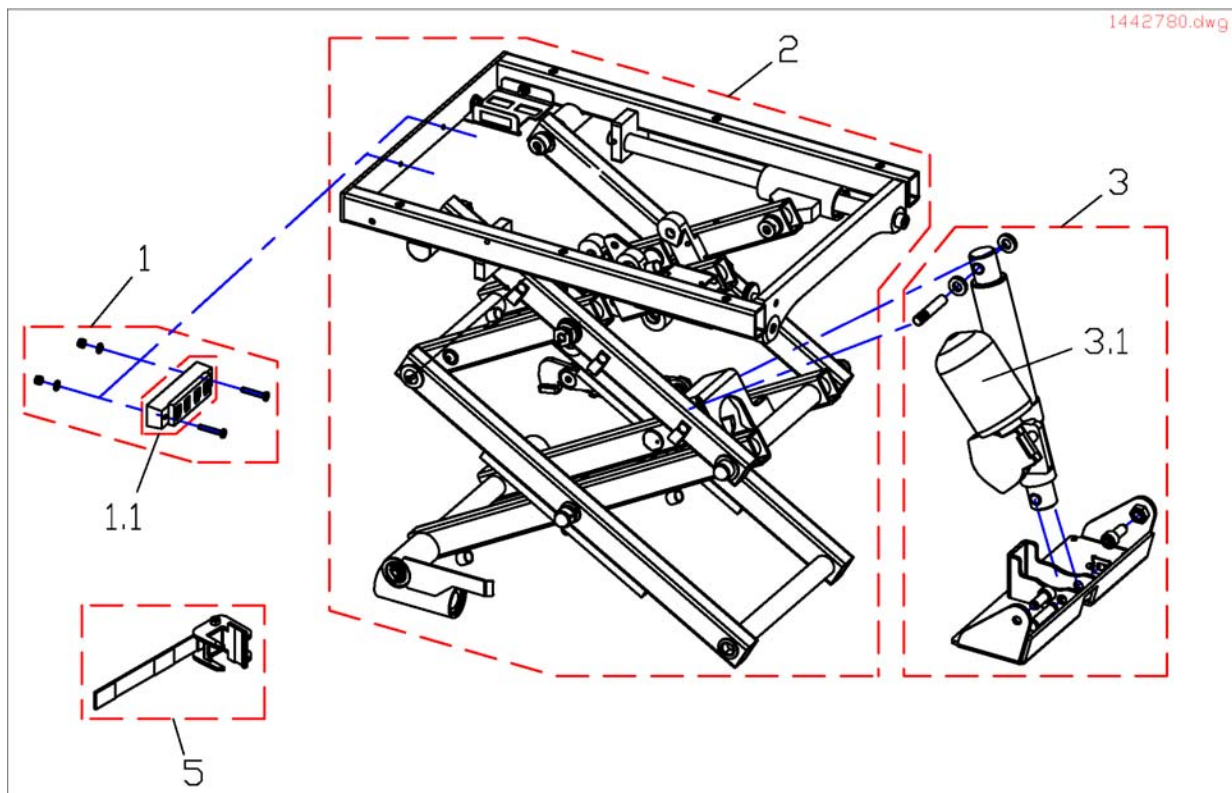


## User Manuals IDC Dual Control

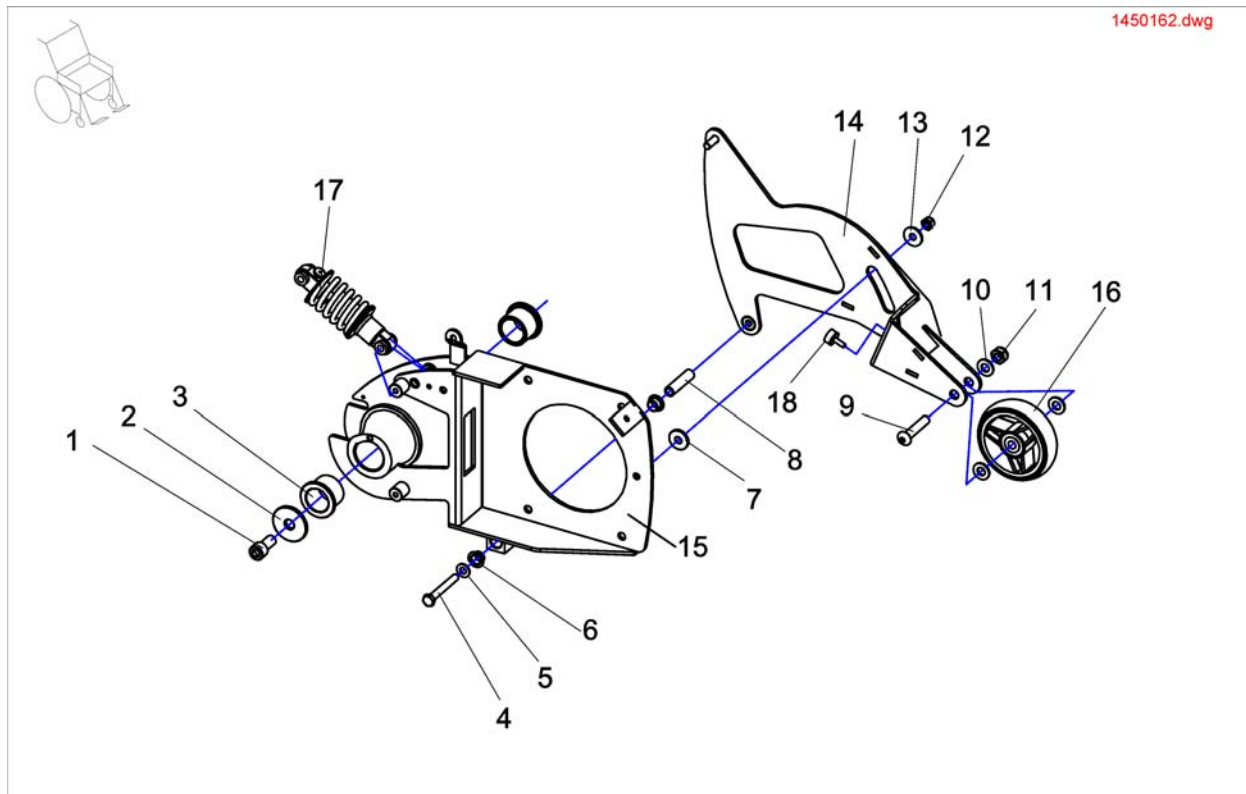
CS	ČESKY	FR	FRANÇAIS	PL	POLSKI
DA	DANSK	HR	HRVATSKI	PT	PORTUGUÊS
DE	DEUTSCH	HU	MAGYAR	SK	SLOVENČINA
EN	ENGLISH	IT	ITALIANO	SL	SLOVENŠČINA
ES	ESPAÑOL	LT	LIETUVIŲ KALBA	SV	SVENSKA
ET	EESTI KEEL	NL	NEDERLANDS	RO	ROMÂNĂ
FI	SUOMEN KIELI	NO	NORSK	JA	日本語

Pos.	Part number	Description	Valid from → until	Qty
DE	1521480	User Manual Dual-Control German		1
EN	1521481	User Manual Dual-Control English		1
FR	1521482	User Manual Dual-Control French		1
NL	1521483	User Manual Dual-Control Dutch		1
NO	1521484	User Manual Dual-Control Norwegian		1
SV	1521485	User Manual Dual-Control Swedish		1
DA	1521486	User Manual Dual-Control Danish		1
IT	1522252	User Manual Dual-Control Italian		1
PT	1522254	User Manual Dual-Control Portuguese		1
ES	1522255	User Manual Dual-Control Spanish		1

# Lifter



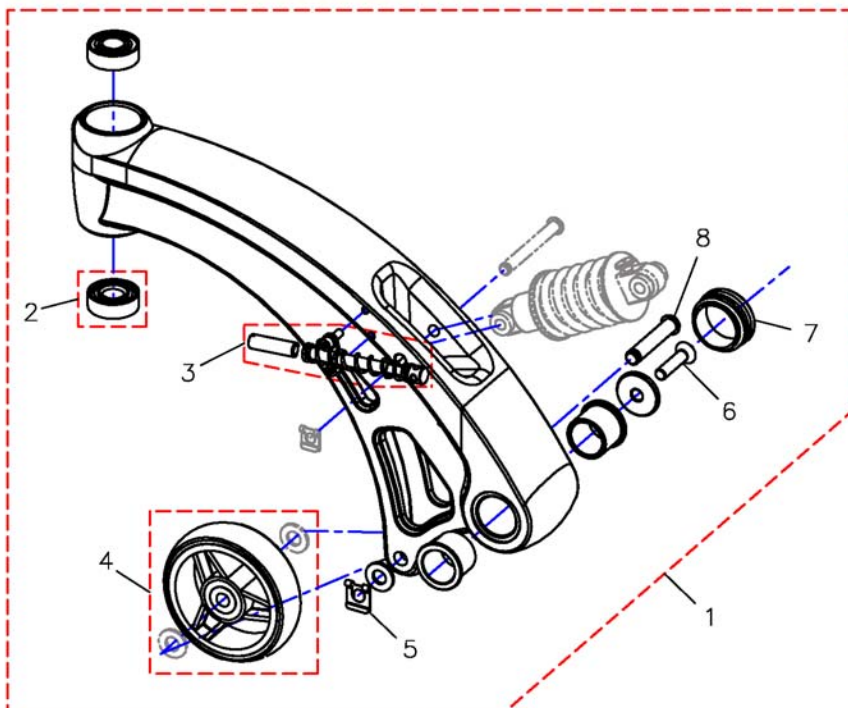
Pos.	Part number	Description	Valid from → until	Qty
1	SP1440320	T-Adapter for the lifter, complete		1
5	SP1498403	Part not for sale		1
1.1	P10072	ACS-Bus T-Adapter (Splitter)		1
2	SP1498319	Lifter unit without liftingmotor, complete		1
3	SP1498137	Elevating motor cpl. 120/300mm		1
3	SP1493564	Elevating motor cpl. 120/270mm		1
3.1	1436555	Lifter actuator 120/300mm		1
3.1	1434913	Actuator, tilt		1
4	SP1496080	Support for low Lifter		1
4	SP1498226	Support for high lifter		1



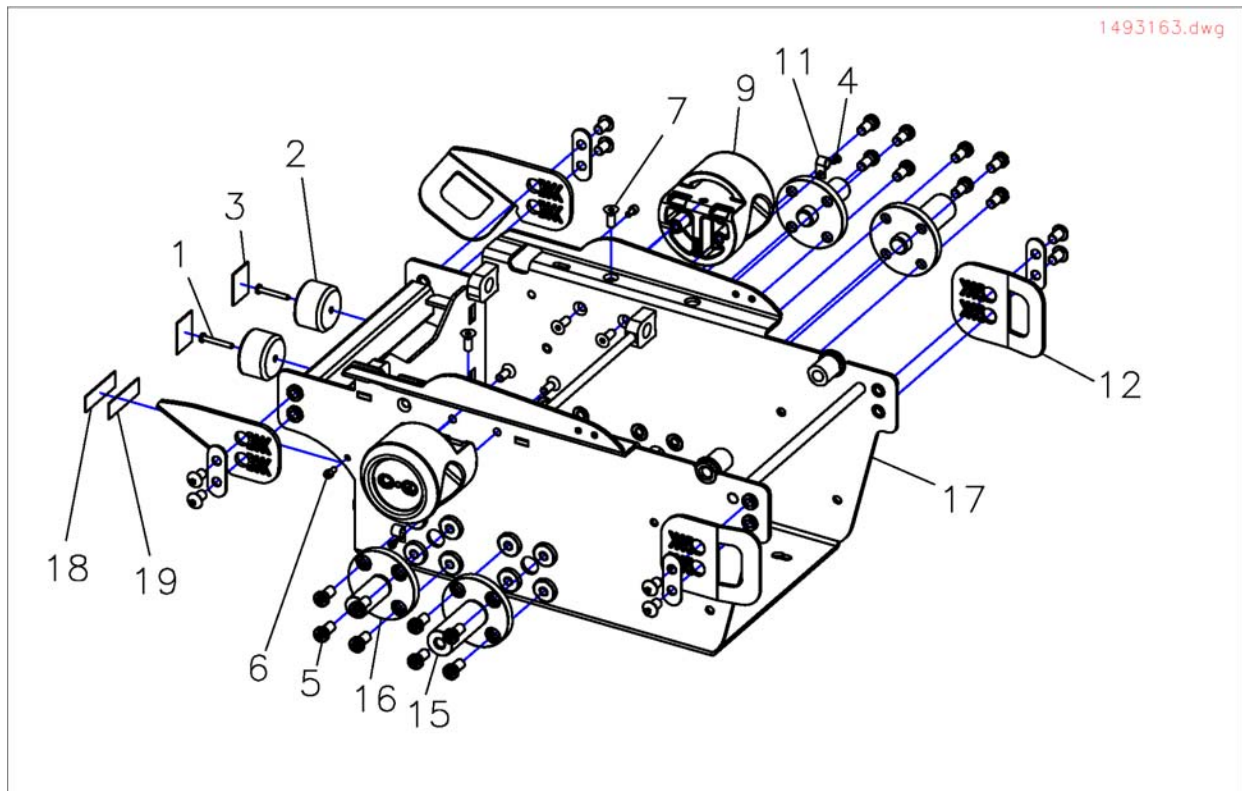
Pos.	Part number	Description	Valid from → until	Qty
1	1488781	Screw DIN 912 M12x25-8.8/vz Tuflock		1
2	1484049	Covering for rocker arm bolts FW		1
3	1496230	Sliding bearing BB303830BP25		2
4	D00100	ISO 4014 M8x60		1
5	G00107	Scheibe 8, 4X17X1, 6 DIN 125		1
6	N02194	BUSH BB 1209 DU		2
7	1429355	Bushing f. carrying wheel		1
8	1434899-0002	Spacer bushing VZ 12x1.8x48.4		1
9	1440465	Screw ISO 7380 M10*50		1
10	F00103	HEX NUT M6		1
11	F20107	Nut M6 self-locking DIN 985		1
12	-	Nut, M8 DIN 985		1
13	-	Washer 8,4 X 25 X 2		1
14	1496111-9005	Support plate cpl. RH		1
15	1484029-9005	Swing arm cpl. RH		1
16	1510072	Part not for sale		1
17	1505239	Part not for sale		2
17	1505237	Part not for sale		2
17	1505236	Part not for sale		2
18	1435031	BUFFER PLATE (RUBBER)		1

# Rear Swing Arm

1488783.dwg

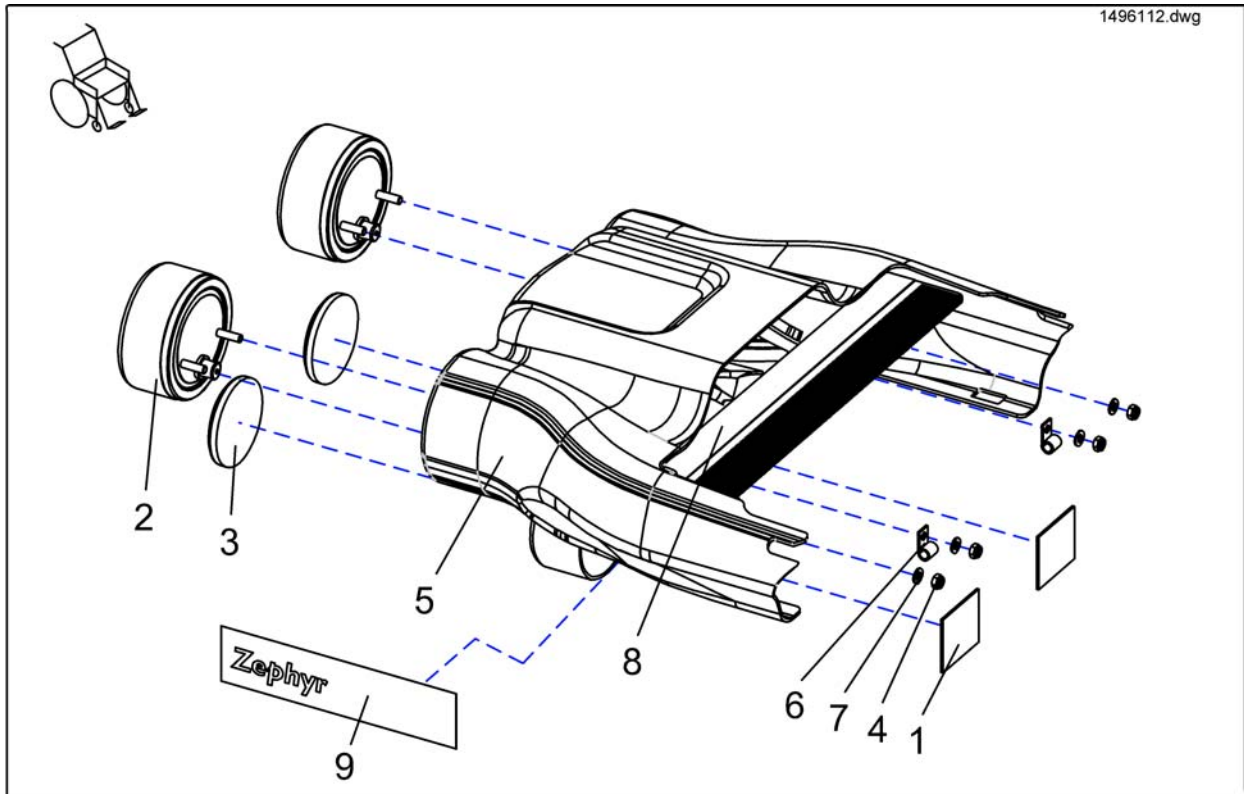


Pos.	Part number	Description	Valid from → until	Qty
1	SP1488783	Swingarm cpl., LH (without shock-absorber)		1
1	SP1492325	Swingarm cpl., RH (without shock-absorber)		1
2	1419254	Angular Ball Bearing 7202B 2Rs		1
3	SP1496399	Release, left		1
3	SP1496446	Release, right		1
4	1449254	Wheel 4" (100x26)		1
5	-	Lock Washer 10mm		1
6	-	BOLT 8X35 DIN 7991		1
7	L01043	Slider GL 42		1
8	1498727	Safetybolt		1

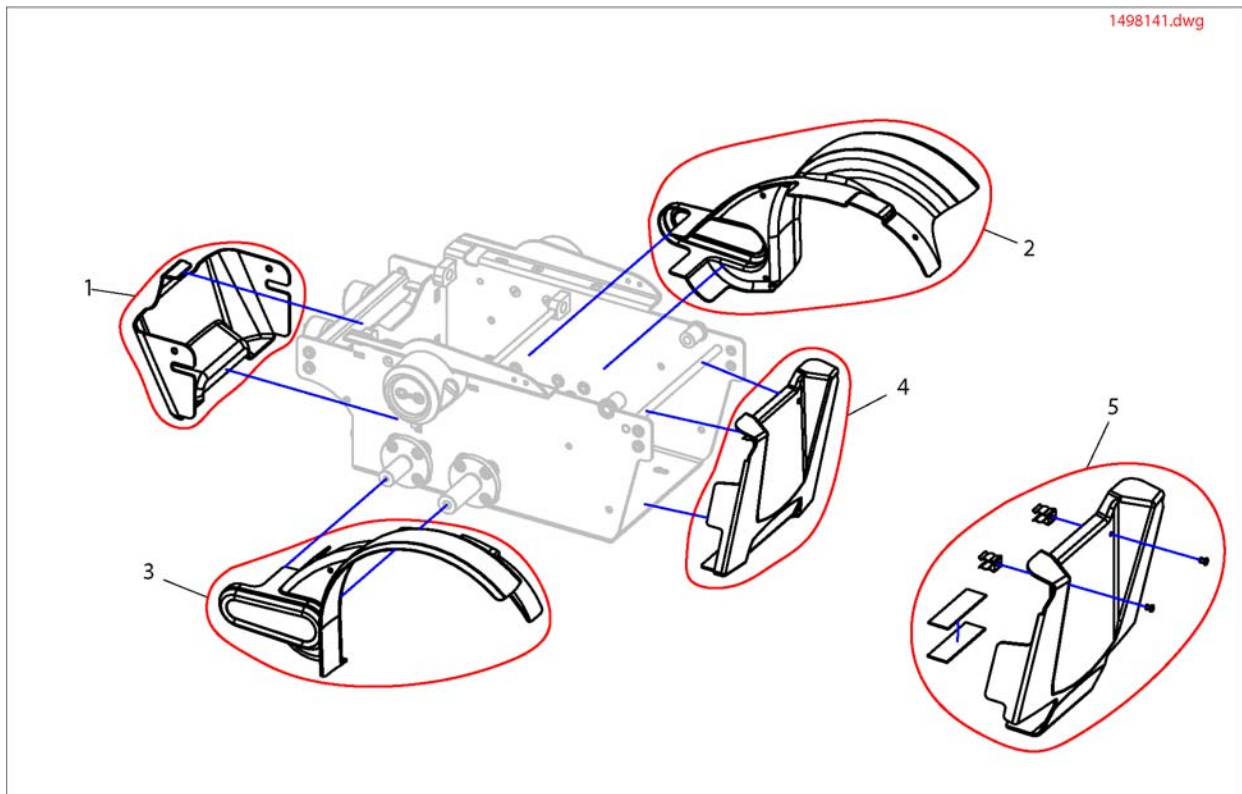
**Chassis**

Pos.	Part number	Description	Valid from → until	Qty
-	1497415	Screw DIN 7985 M4x6		2
-	-	Screw DIN 7991 M8X20 Black Galvanised		6
-	1487865	Main bearing bolt		2
-	-	Screw DIN6912 M10X20		16
-	1487733	Main bearing bolt		2
-	1492713-9006	Bearing block		2
-	-	Hexagon Bolt DIN 912 M5X16		2
-	1440482	Screw ISO 7380 M10x16		8
1	1419681	Screw DIN 7981 4,8x38		2
2	1496120	Receptacle pot		2
3	SP1496121	Part not for sale		1
11	1440520	Cable clip large		2
12	SP1523485	Tie-Down-Retrofitting-Kit		1
17	1487732-9005	Sheet metal box SBG, cpl.		1
18	F384068	Length of Velcro loop tape 25x100mm		1
19	F384067	Length of Velcro hook tape 25x100mm		1

# Rear cowling with light

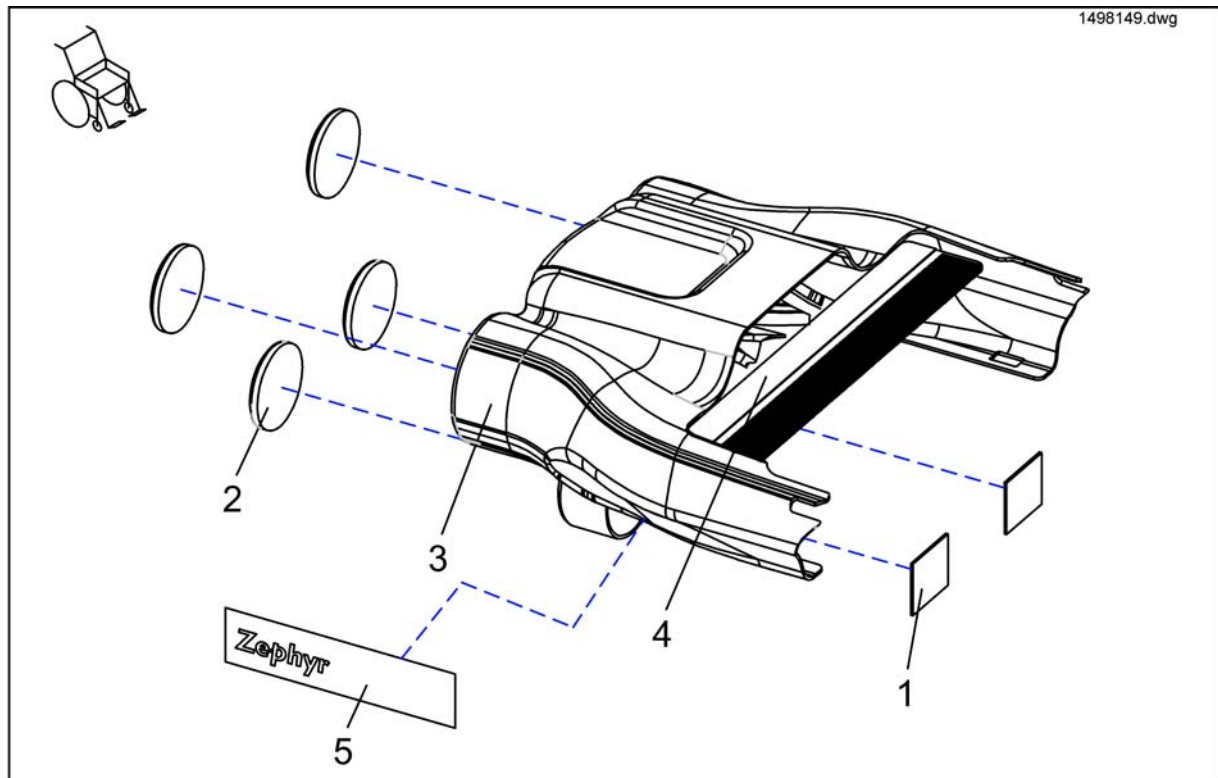


Pos.	Part number	Description	Valid from → until	Qty
-	1496297	Part not for sale		1
-	-	Cable Fixation Small		2
-	-	Washer 5.3 DIN 125		4
1-8	SP1496112	Part not for sale		1
1	1496166	Length of Velcro loop tape, self-adhesive		2
2	1440427	Rearlight 24V		2
3	1419274	Reflector Red, Round		2
4	-	Hex Nut M5 Self-Locking		4
5	1505064	Part not for sale		1
8	1498229	Rubber comb 350mm	→ 20070330	1



Pos.	Part number	Description	Valid from → until	Qty
1	1492701-9006	Rear apron		1
2	1488530-9006	Rocker arm cover, left		1
3	1488531-9006	Rocker arm cover, right		1
4	SP1488532	Front Cover		1
5	SP1505245	Frontshroud for dockingstation, compl.		1

## Rear cowling without light

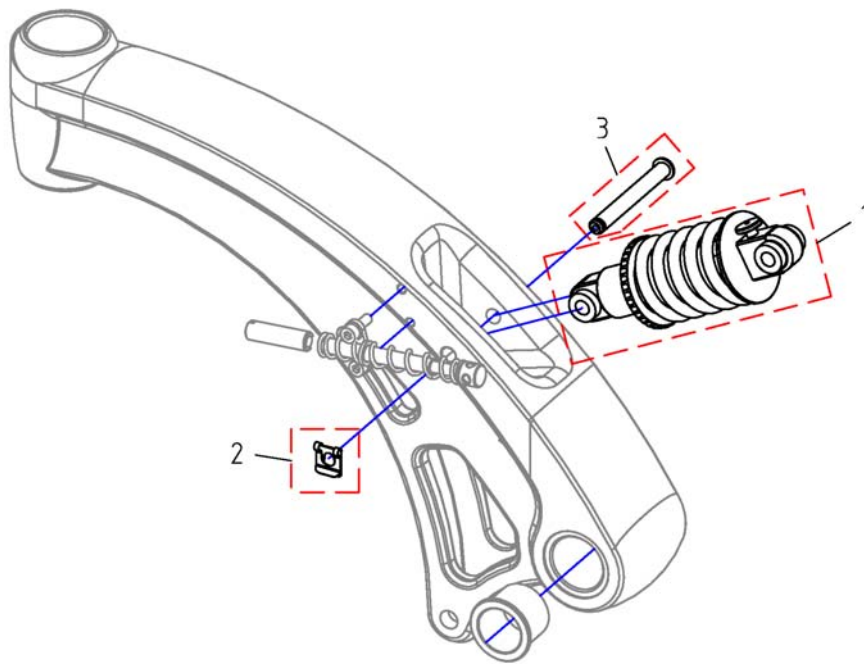


Pos.	Part number	Description	Valid from → until	Qty
1-4	SP1498149	Part not for sale		1
1	SP1496166	Part not for sale		2
2	1419274	Reflector Red, Round		4
3	1505064	Part not for sale		1
4	1498229	Rubber comb 350mm	→ 20070330	1
5	1496297	Part not for sale		1



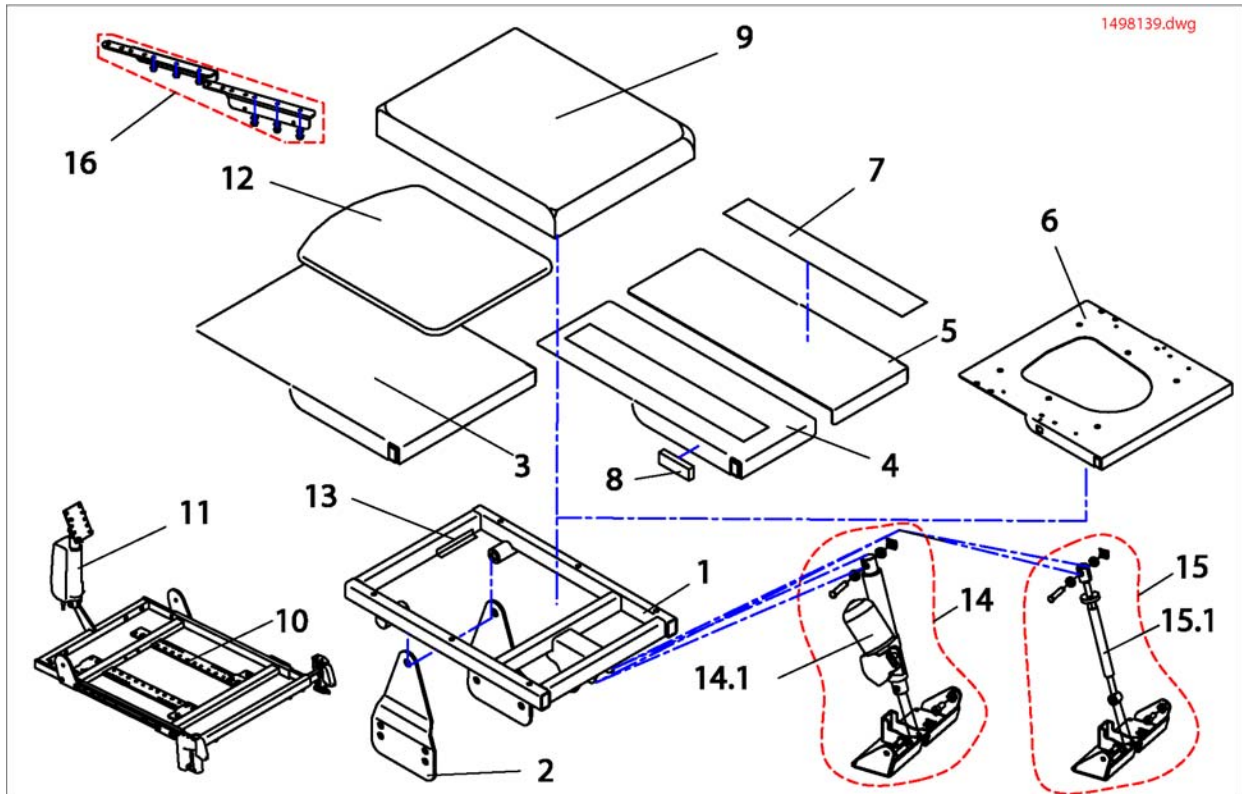
# Suspension

1505234.X.dwg



Pos.	Part number	Description	Valid from → until	Qty
1	1505234	Part not for sale		1
1	1505236	Part not for sale		1
1	1505238	Part not for sale		1
2	1433559	Spring locking plate 8mm		1
3	1492326	Bolt		1

# Seat plates

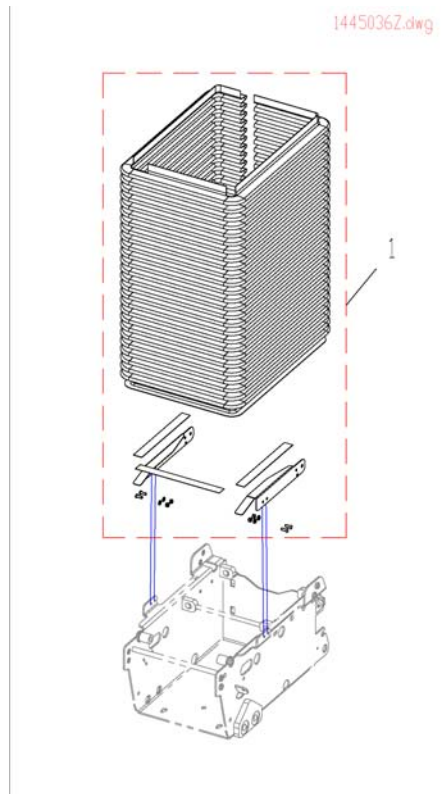


Pos.	Part number	Description	Valid from → until	Qty
1,2	SP1498139	SEAT SUPPORT STANDARD COMPLETE		1
3	1440402-9005	SEAT PLATE (ONE PIECE)		1
3	SP1436514	SEAT PLATE, CPL. STANDARD (ELECTRIC LEGRESTS)		1
4	1442813-9005	SEAT PLATE RH SB 39, FOR ELECTRICAL CENTRE MOUNTED LEGREST		1
4	1420457-9005	SEAT PLATE RH CPL.		1
5	1442814-9005	SEAT PLATE LH SB 39, FOR ELECTRICAL CENTRE MOUNTED LEGREST		1
5	1420458-9005	SEAT PLATE LH CPL.		1
4,5	SP1436515	SEAT PLATE DIVIDED SEAT WIDTH 43CM (ELECTRIC LEGRESTS)		1
4,5	SP1436517	SEAT PLATE DIVIDED SEAT WIDTH 39CM (ELECTRIC LEGRESTS)		1
4,5	SP1442832	SPLIT SEAT SB 39, FOR ELECTRICAL CENTRE MOUNTED LEGREST, COMPLETE		1
4,5	SP1436516	SEAT PLATE DIVIDED SEAT WIDTH 48CM (ELECTRIC LEGRESTS)		1
6	SP1436518	SEAT PLATE, CPL. FOR RECARO-SEAT (ELECTRIC LEGRESTS)		1
7	U21087	Velcro Fastener Strip 38 X 400mm Adhesive		1
8	P31298	Reflector, Yellow		1
10	SP1445570	seat frame OPTIMIST, seatwidth 38cm, with motor for backrest, for central mounted legrest, premounted		1
10	SP1445561	seat frame OPTIMIST, seatwidth 38cm, with motor for backrest, for sideways mounted legrest, premounted		1
10	SP1445028	seat frame OPTIMIST, seatwidth 48cm, with motor for backrest, for sideways mounted legrest, premounted		1
10	SP1436520	seat frame OPTIMIST, seatwidth 45cm, with motor for backrest, for central mounted legrest, premounted		1
11	1419417	MOTOR LA 28.1-100-24-001		1
12	5314533	SEAT PLATE 460 X 520 MM		1
12	5314532	SEAT PLATE 410 X 520 MM		1
13	S182007.P40	ATTACHING BRACKET FOR SRB PLUG		1
14	SP1498136	Elevating motor for tilt, complete		1
15	SP1498138	Adjustment spindle manual for tilt, complete		1
16	1510637	Stiffing Kit		1
14.1	1434913	Actuator, tilt		1

**Seat plates**

Pos.	Part number	Description	Valid from → until	Qty
15.1	1420004	Spindle		1

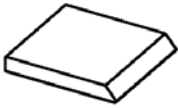
# Bellow Zephyr



Pos.	Part number	Description	Valid from → until	Qty
1	SP1445036	GAITER cpl.		1

1501113.dwg

STANDARD



1	41cm	black
2	46cm	
3	51cm	

KONTUR



4	43cm	black
5	48cm	

FLEX



6	39cm	black
7	43cm	
8	48cm	
9	39cm	blue
10	43cm	
11	48cm	
12	39cm	vinyl grey
13	43cm	
14	48cm	
15	39cm	Tromb black
16	43cm	
17	48cm	
18	36cm	Dartex grey
19	44cm	
20	49cm	

Arne Jensen



21	38cm	Positive
22	45cm	
23	38cm	Negative
24	45cm	
25	38cm	Paraplegic
26	45cm	

Flo-Tech



27	43cm	43cm
28	45,5cm	53cm
29	48cm	40,5cm
30	48cm	43cm

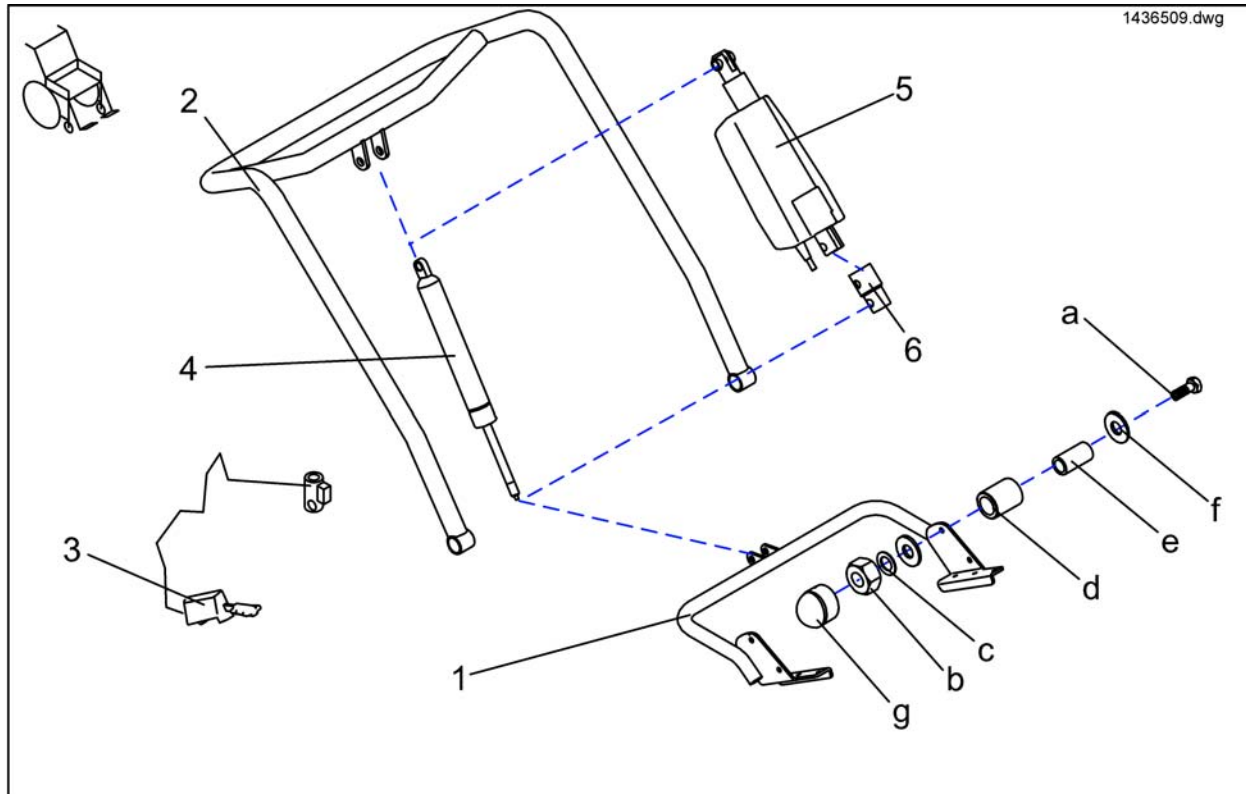
FLEX VIC AIR



31	43cm	VicAir
----	------	--------

Pos.	Part number	Description	Valid from → until	Qty
1	1420460	Cushion Standard SD 41cm		1
2	1420461	Cushion Standard SD 46cm		1
3	1420462	Cushion Standard SD 51cm		1
4	1422072	Cushion Contour SW43cm, black		1
5	1422074	Cushion Contour SW48cm, black		1
6	1436561	Cushion Flex SW39cm, black		1
7	1436562	Cushion Flex SW43cm, black		1
8	1436563	Cushion Flex SW48cm, black		1
9	1422529	Cushion Flex SW39cm, blue		1
10	1422530	Cushion Flex SW43cm, blue		1
11	1422532	Cushion Flex SW48cm, blue		1
12	5314542	Seat Cushion SW 39cm, grey vinyl		1
13	1422939	Cushion Flex SW43cm, grey vinyl		1
14	1422940	Cushion Flex SW48cm, grey vinyl		1
15	5252582-TR98	Seat cushion TROMB ZON 98 SW36		1
16	5252583-TR98	Seat cushion TROMB ZON 98 SW41		1
17	5252584-TR98	Seat cushion TROMB ZON 98 SW46		1
18	1508053	CUSHION FLOSHAPE 355X535 TR23		1
19	1428090	Cushion Flex SW43cm, grey Dartex (Bris)		1
20	1428091	Cushion Flex SW48cm, grey Dartex (Bris)		1
21	1419632	Seat Cushion positive, SW 38cm, black		1
22	5313953	Seat Cushion positive, SW 45cm, black		1
23	1419633	Seat Cushion negative, SW 38cm, black		1
24	5313958	Seat Cushion negative, SW 45cm, black		1
25	1419634	Seat Cushion paraplegic, SW 38cm, black		1
26	5313962	Seat Cushion paraplegic, SW 45cm, black		1
27	SP1501113	Seat Cushion Flo-tech Contur Visco 43x43cm		1
28	SP1500993	Seat Cushion Flo-tech Contur Visco 45.5x53cm		1
29	SP1501116	Seat Cushion Flo-tech Contur Visco 48x40.5cm		1
30	SP1501117	Seat Cushion Flo-tech Contur Visco 48x43cm		1
31	1422531	Cushion Flex SW43cm, VIC AIR		1

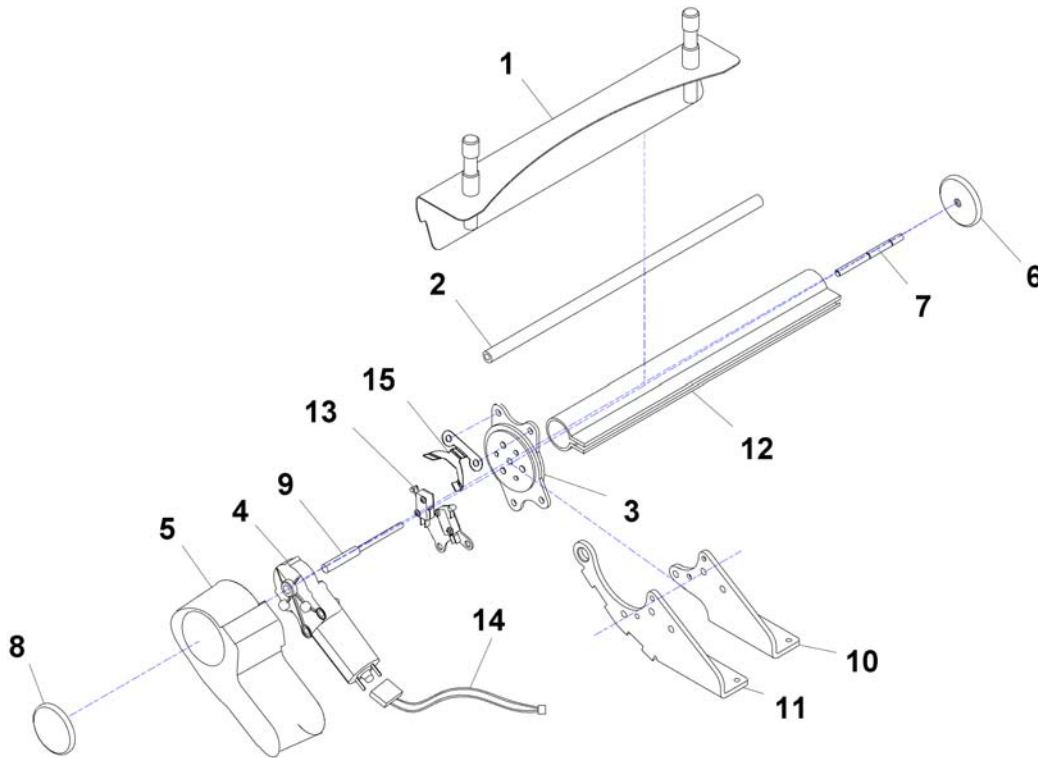
## Backrest Adjustment, Standard



Pos.	Part number	Description	Valid from → until	Qty
-	SP1436507	BACKREST ADJUSTMENT ELECTRICAL FOR STANDARD SEAT COMPLETE		1
-	SP1436509	Backrest Adjustment Pneumatic For Standard Seat Complete		1
d	Z131009A	Bush Rd. 18 X 3 X 22		1
b	-	Nut, M8 DIN 985		1
-	SP1443270	Back Adjustment Standard, Back Height 54cm, Electzrically, Cpl with backbelt		1
a	-	Axle Bolt M8 X 45		1
f	-	Washer 8,4 X 25 X 2		1
e	-	Bush Rd. 12 X 1.8 X 23		1
g	L01041	Cover Cap For Wheel Invacare P452E		1
a-g	F367005	Fixing Kit For Seat Mounting		1
-	SP1444991	Back Adjustment Standard, Back Height 54CM, Pneumatically, cpl with backbelt		1
c	G00107	Scheibe 8, 4X17X1, 6 DIN 125		1
1	1442845-9005	Lower Receiving Bracket		1
2	1440395-9005	Backtube		1
3	N368003	Release Lever Stabilus		1
4	N368007	Back Adjuster Pneumatic cpl.		1
5	1418016	BACK ADJUSTER ELECTRIC CPL.		1
6	N368001.89	EXTENSION PART FOR ACTUATOR		1

# Backrest adjustment Flex/Contour electric

1440456X.dwg

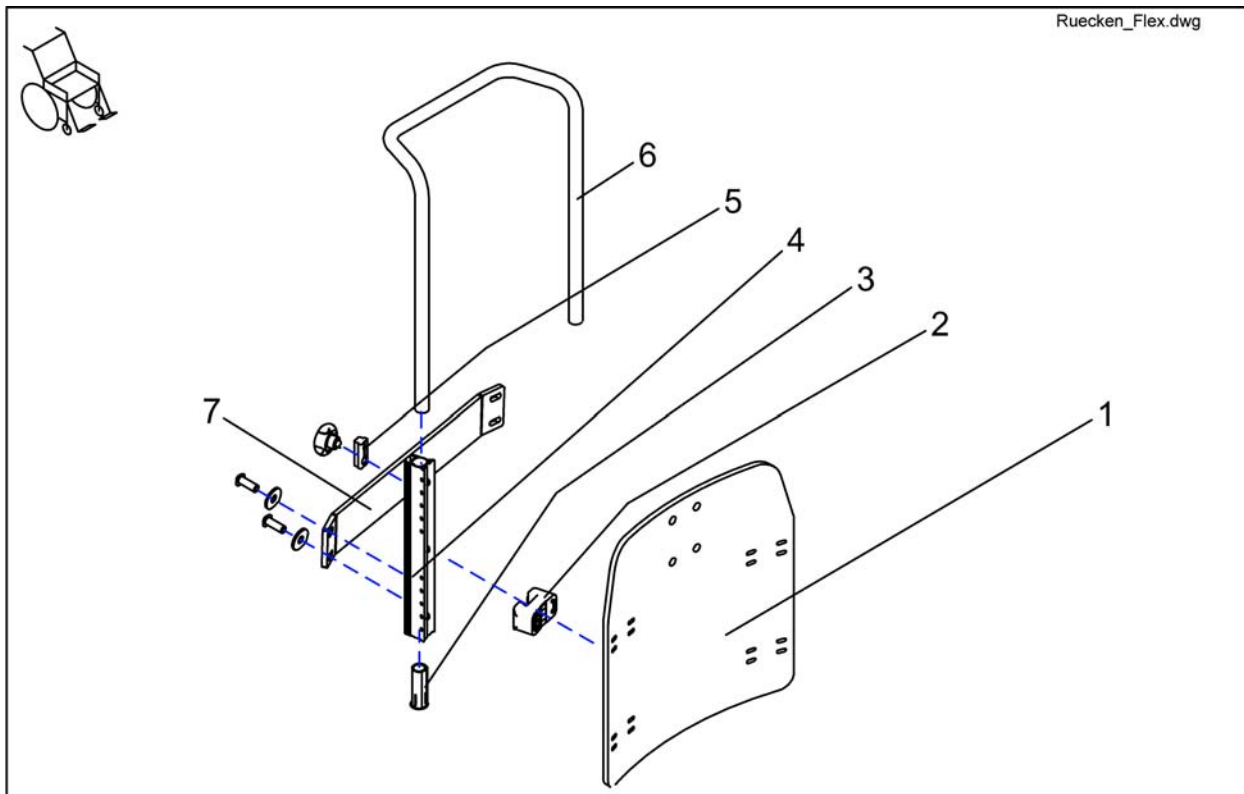


Pos.	Part number	Description	Valid from → until	Qty
-	SP1529386	Part not for sale		1
	SP1440408	ELECTRICAL BACK ADJUSTER, SEAT WIDTH 43CM, FOR SLIDING ARMRESTS, CPL.		1
	SP1423210	BACKREST ADJUSTMENT ASSEMBLY KIT		1
	SP1440406	ELECTRICAL BACK ADJUSTER, SEAT WIDTH 48CM, CPL.		1
	SP1440409	ELECTRICAL BACK ADJUSTER, SEAT WIDTH 48CM, FOR SLIDING ARMRESTS, CPL.		1
	SP1440410	ELECTRICAL BACK ADJUSTER, SEAT WIDTH 39CM, FOR SLIDING ARMRESTS, CPL.		1
	SP1440405	ELECTRICAL BACK ADJUSTER, SEAT WIDTH 43CM, CPL.		1
	SP1440407	ELECTRICAL BACK ADJUSTER, SEAT WIDTH 39CM, CPL.		1
1	1422112-9005	BACKREST BRACKET 480 MM		1
1	1422119-9005	BACKREST BRACKET 390 MM		1
1	1419992-9005	BACKREST BRACKET 430 MM		1
2	1420490	CONNECTING TUBE 430 MM		1
2	1420489	CONNECTING TUBE 380 MM		1
2	1420491	CONNECTING TUBE 480 MM		1
3	SP1423211	SEAT BRACE ELECTRIC BACKREST, 1 PAIR		1
4	1420475	GEAR MOTOR GMPG		1
5	1420998	MOTOR CAP		1
6	1421696	PERFORATED REFLECTOR, YELLOW		1
7	1420488-0002	SUPPORT SHAFT		1
8	1420482	REFLECTOR		1
9	1420487-0002	MOTOR SHAFT		1
10	1421708-9005	BRACE BRACKET ELECTRICAL, RH		1
10	1420477-9005	BRACE BRACKET MANUAL/ELECTRICAL LH		1
11	1429564-9005	FITTING ATTACHMENT LH F. SLIDING ARMREST		1
11	1429563-9005	FITTING ATTACHMENT RH F. SLIDING ARMREST		1
12	1442579	PROTECTIVE COVERING 480MM		1
12	1442578	PROTECTIVE COVERING 430MM		1
12	1442577	PROTECTIVE COVERING 380MM		1

**Backrest adjustment Flex/Contour electric**

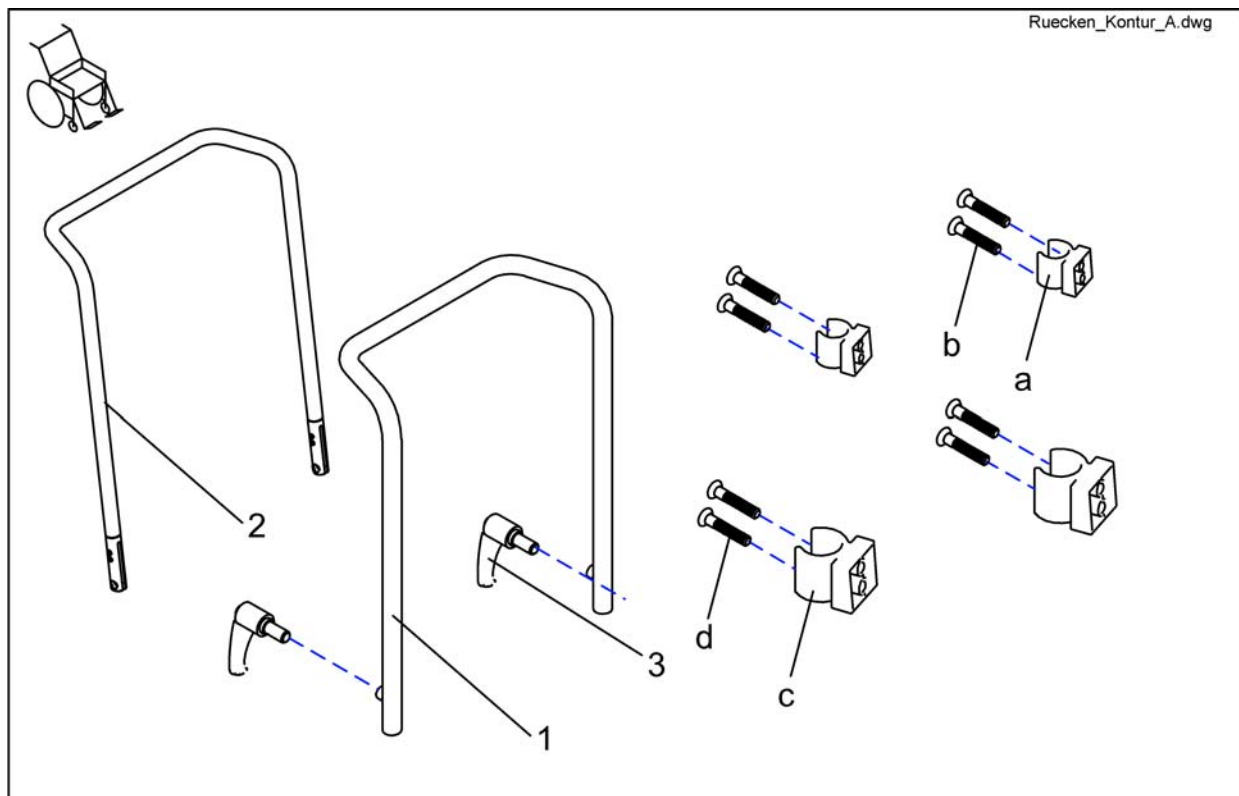
Pos.	Part number	Description	Valid from → until	Qty
13	SP1440711	TWO MICRO SWITCHES WITH ASSEMBLY SHEET METAL, PRE-ASSEMBLED		1
14	1440726	ACTUATORCABLE RECLINER ACS2 / SHARK		1
15	1440456-0003	SWITCHING OFF SHEET METAL BACK		1





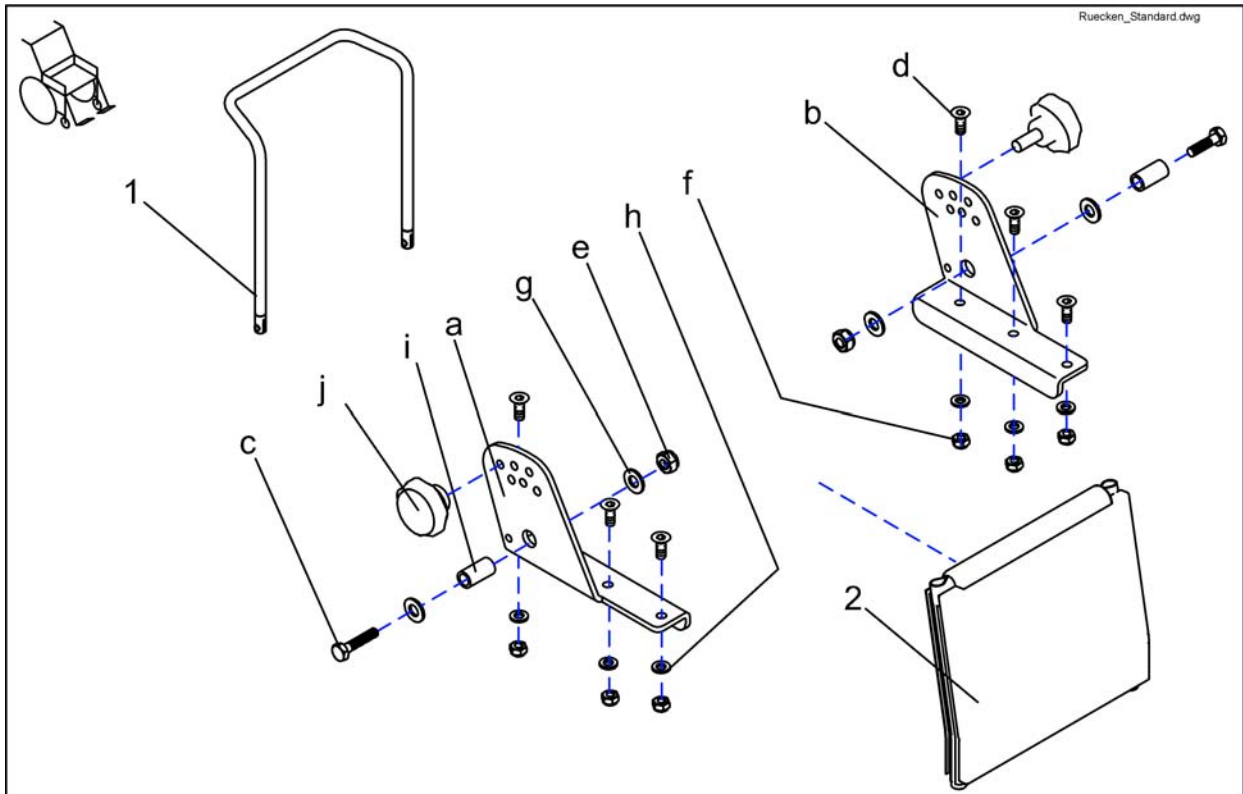
Pos.	Part number	Description	Valid from → until	Qty
-	SP1422126	Backrest Flex SB 39cm without Upholstery cpl.		1
-	SP1422125	Backrest Flex SB 48cm without Upholstery cpl.		1
-	SP1422124	Backrest Flex SB 43cm without Upholstery cpl.		1
1	SP1423219	BACK PLATE SB 48 CPL.		1
1	SP1423218	BACK PLATE SB 43 CPL.		1
1	SP1423217	BACK PLATE SB 39 CPL.		1
2	SP1422117	SPACER BLOCK, 4 PIECES		1
3	SP1423220	GUIDE BUSH CPL. (PAIR)		1
4	5252204	BACKREST BAR		1
5	5253088	LOCKING DEVICE CPL		1
6	1425840-9005	PUSH HANDLE SB 39		1
6	1425839-9005	PUSH HANDLE SB 44/48		1
7	SP1488810	STABILIZATION SHEET METAL CPL. SEAT WIDTH 43/48CM		1
7	SP1488804	STABILIZATION SHEET METAL CPL. SEAT WIDTH 39CM		1

# Backrest Frame, Contour



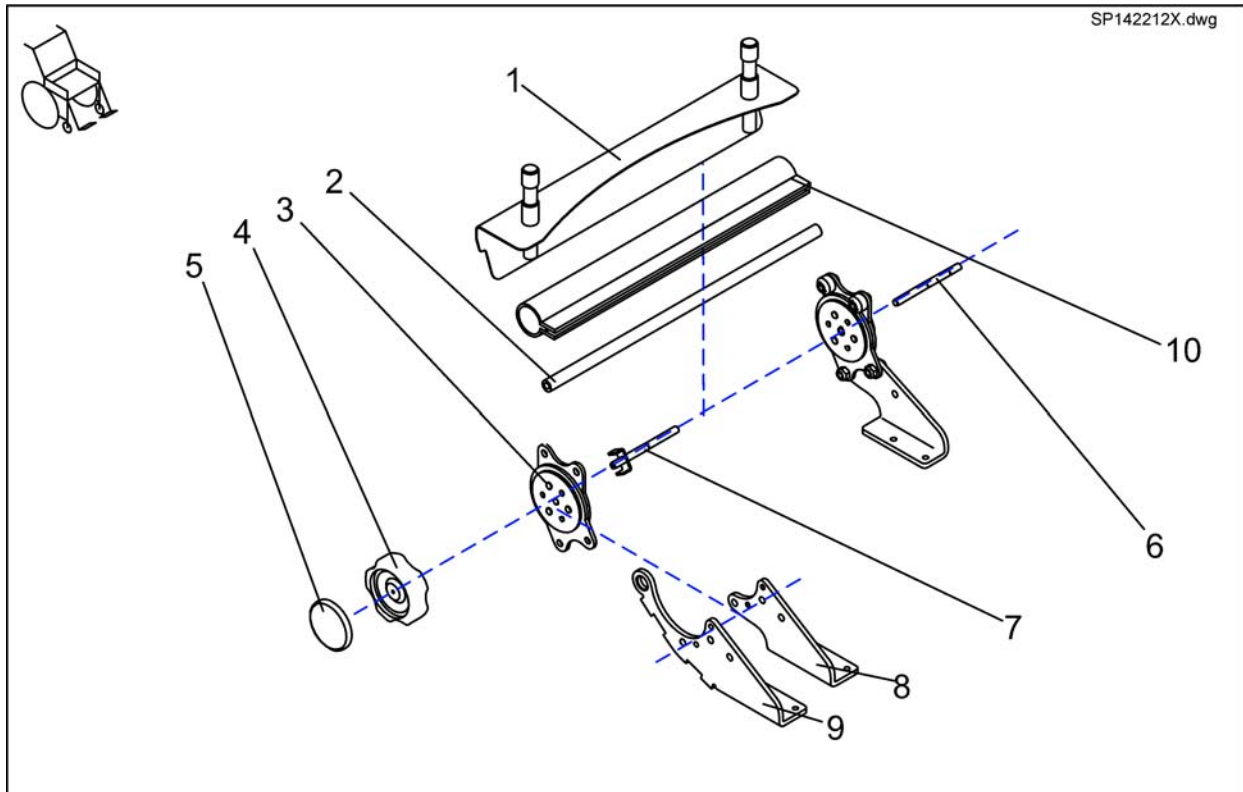
Pos.	Part number	Description	Valid from → until	Qty
a	-	CLAMP SHORT		1
d	-	SCREW 5 X 45, DIN 7505		1
c	-	CLAMP LONG		1
b	-	Screw 5x35 DIN 7505		1
1	1420478-9005	BACK TUBE CONTOUR		1
2	1434878-9005	Backtube Contour For Storm® Euro		1
3	L31996	Lever M10x20		1
4	SP1423216	PADDED BACKREST UPHOLSTERY ASSEMBLY KIT		1

## Backrest frame standard



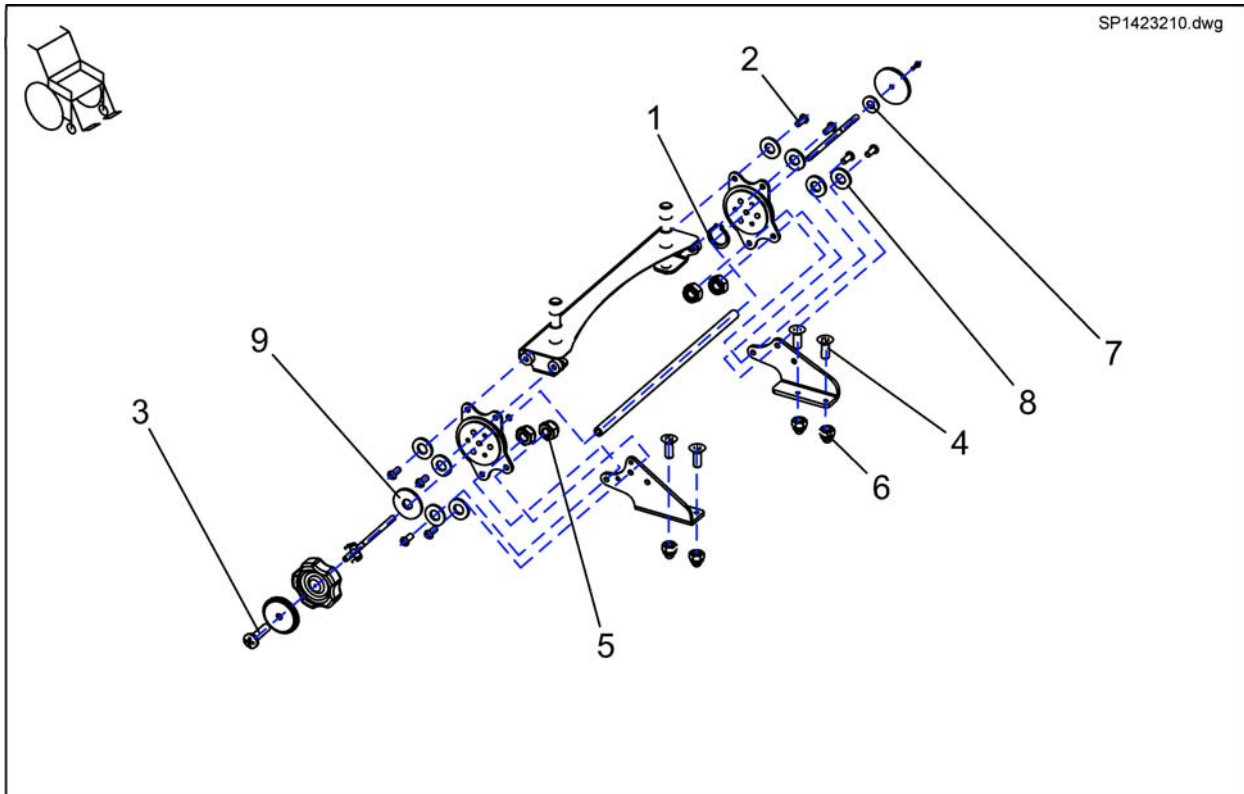
Pos.	Part number	Description	Valid from → until	Qty
i	-	Bush Rd. 12 X 1.8 X 23		1
j	SP1420444	Star Grip M8 cpl.		1
a	1419994-9005	Backrest Adjustment RH		1
b	1419997-9005	Backrest Adjustment LH		1
-	SP1423208	Std. Backrest Assembly Kit cpl.		1
c	-	Srew M8X35 DIN 933		1
d	-	Countersunk Socket Head Screw M6 X 16		1
e	-	Nut, M8 DIN 985		1
f	F60107	Domed Nyloc Nut M6, Self-Locking		1
g	G00107	Scheibe 8, 4X17X1, 6 DIN 125		1
h	G00115	Washer 6,4 X 12,5 X 1,6 DIN 125		1
1	1420465-9005	Back Tube 540 mm		1
1	1419996-9005	Back Tube 480 mm		1
2	1422063	Sling Back with removable cushion 540 mm		1
2	1422062	Sling Back with removable cushion 480 mm		1

# Backrest Adjustment Flex/Contour manual



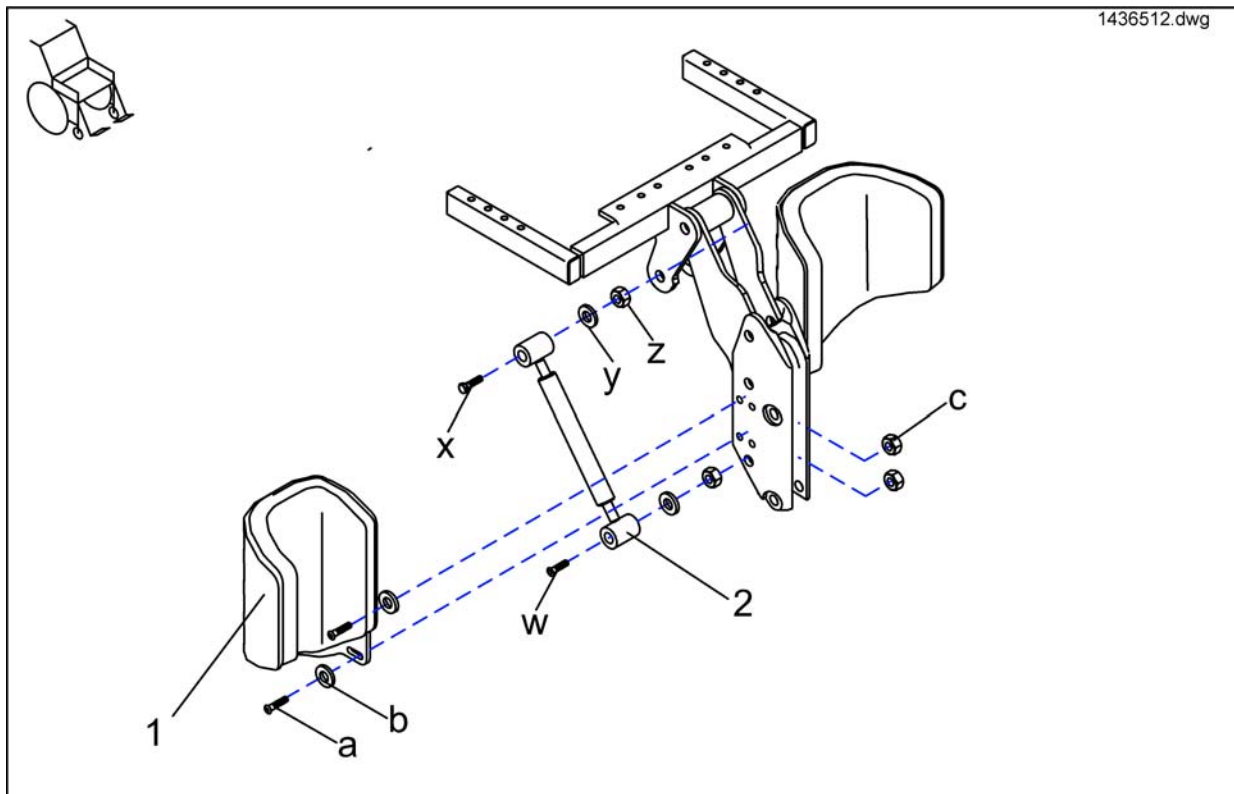
Pos.	Part number	Description	Valid from → until	Qty
-	1442942	MANUAL BACK ADJUSTER, SEAT WIDTH 43CM, FOR SLIDING ARMRESTS, CPL.		1
-	SP1422067	MANUAL BACKREST ADJUSTMENT SB 48 CPL.		1
-	SP1422122	MANUAL BACKREST ADJUSTMENT F. FLEX SB 39 CPL.		1
-	SP1425854	MANUAL BACK ADJUSTER, SEAT WIDTH 48CM, FOR SLIDING ARMRESTS, CPL.		1
-	SP1423210	BACKREST ADJUSTMENT ASSEMBLY KIT		1
-	SP1422066	MANUAL BACKREST ADJUSTMENT SB 43 CPL.		1
-	SP1425857	MANUAL BACK ADJUSTER, SEAT WIDTH 39CM, FOR SLIDING ARMRESTS, CPL.		1
1	1422112-9005	BACKREST BRACKET 480 MM		1
1	1419992-9005	BACKREST BRACKET 430 MM		1
1	1422119-9005	BACKREST BRACKET 390 MM		1
2	1420491	CONNECTING TUBE 480 MM		1
2	1420489	CONNECTING TUBE 380 MM		1
2	1420490	CONNECTING TUBE 430 MM		1
3	SP1450234	SEAT BRACE MANUAL BACKREST, 1 PAIR		1
4	1420483	HAND WHEEL		1
5	1421696	PERFORATED REFLECTOR, YELLOW		1
6	1420488-0002	SUPPORT SHAFT		1
7	1421713-0002	HAND WHEEL SHAFT		1
8	1420476-9005	BRACE BRACKET MANUAL RH		1
8	1420477-9005	BRACE BRACKET MANUAL/ELECTRICAL LH		1
9	1429564-9005	FITTING ATTACHMENT LH F. SLIDING ARMREST		1
9	1429563-9005	FITTING ATTACHMENT RH F. SLIDING ARMREST		1
10	1442579	PROTECTIVE COVERING 480MM		1
10	1442578	PROTECTIVE COVERING 430MM		1
10	1442577	PROTECTIVE COVERING 380MM		1

# Backrest adjustment Assembly Kit



Pos.	Part number	Description	Valid from → until	Qty
-	SP1423210	BACKREST ADJUSTMENT ASSEMBLY KIT		1
1	-	DIN 471 8X0.75 SPRING LOCKING RING		1
2	-	SCREW M8 X 20		1
3	-	CROSS HEAD SCREW M4 X 16		1
4	-	Countersunk Socket Head Screw M6 X 16		1
5	-	Nut, M8 DIN 985		1
6	F60107	Domed Nyloc Nut M6, Self-Locking		1
7	-	BRAKE SHOE SET		1
8	G00107	Scheibe 8, 4X17X1, 6 DIN 125		1
9	-	Washer 8,4 X 25 X 2		1

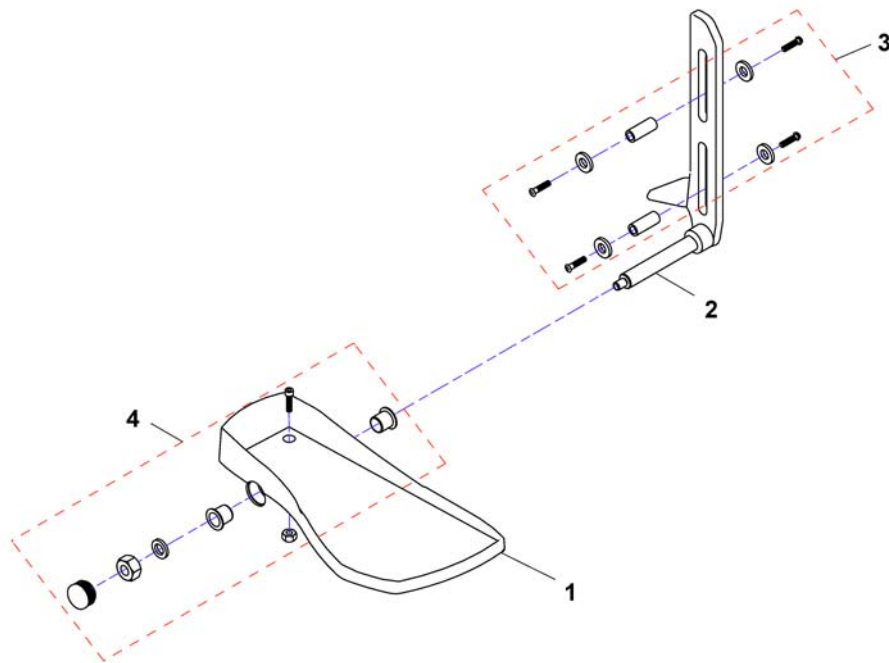
# Hanger manually



Pos.	Part number	Description	Valid from → until	Qty
z	-	Nut M10 DIN 985		1
b	G00115	Washer 6,4 X 12,5 X 1,6 DIN 125		1
w	1440465	Screw ISO 7380 M10*50		1
x	1440466	M10X55 DIN 931 SCREW		1
a-c	1440615	MOUNTING KIT CALF SUPPORT (MANUAL VERSION)		1
w-z	1440617	MOUNTING KIT SPINDLE		1
a	5824282	M6X16 ISO7380 SCREW		1
c	-	Nylon Nut M6		1
1	1436070	CALF PLATE RH, COMPLETE WITH HOLDER		1
1	1436069	CALF PLATE LH, COMPLETE WITH HOLDER		1
2	1436226	SPINDLE		1

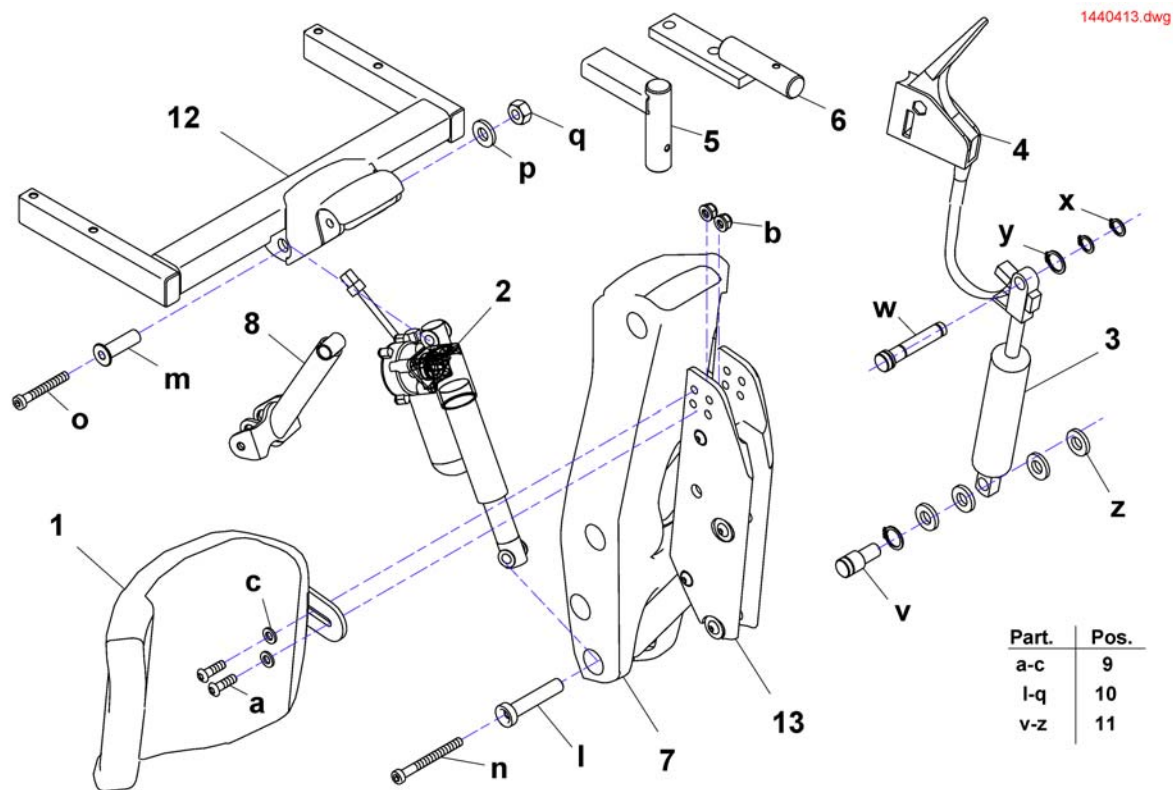
# Lower Legrests

1440290.dwg



Pos.	Part number	Description	Valid from → until	Qty
1	1440613	FOOTPLATE WITH RUBBER AND BUSHES RIGHT		1
1	1440612	FOOTPLATE WITH RUBBER AND BUSHES LEFT		1
2	1440445-0003	SHORT (32-38cm), RIGHT-HAND LINEAR COMPENSATION		1
2	1440447-0003	LONG (44-50cm), RIGHT-HAND LINEAR COMPENSATION		1
2	1440443-0003	MEDIUM (38-44cm), LEFT-HAND LINEAR COMPENSATION		1
2	1440442-0003	SHORT (32-38cm), LEFT-HAND LINEAR COMPENSATION		1
2	1440444-0003	LONG (44-50cm), LEFT-HAND LINEAR COMPENSATION		1
2	1440446-0003	MEDIUM (38-44cm), RIGHT-HAND LINEAR COMPENSATION		1
3	1440616	MOUNTING KIT FOR LINEAR COMPENSATION		1
4	1440614	MOUNTING KIT FOOTPLATE		1

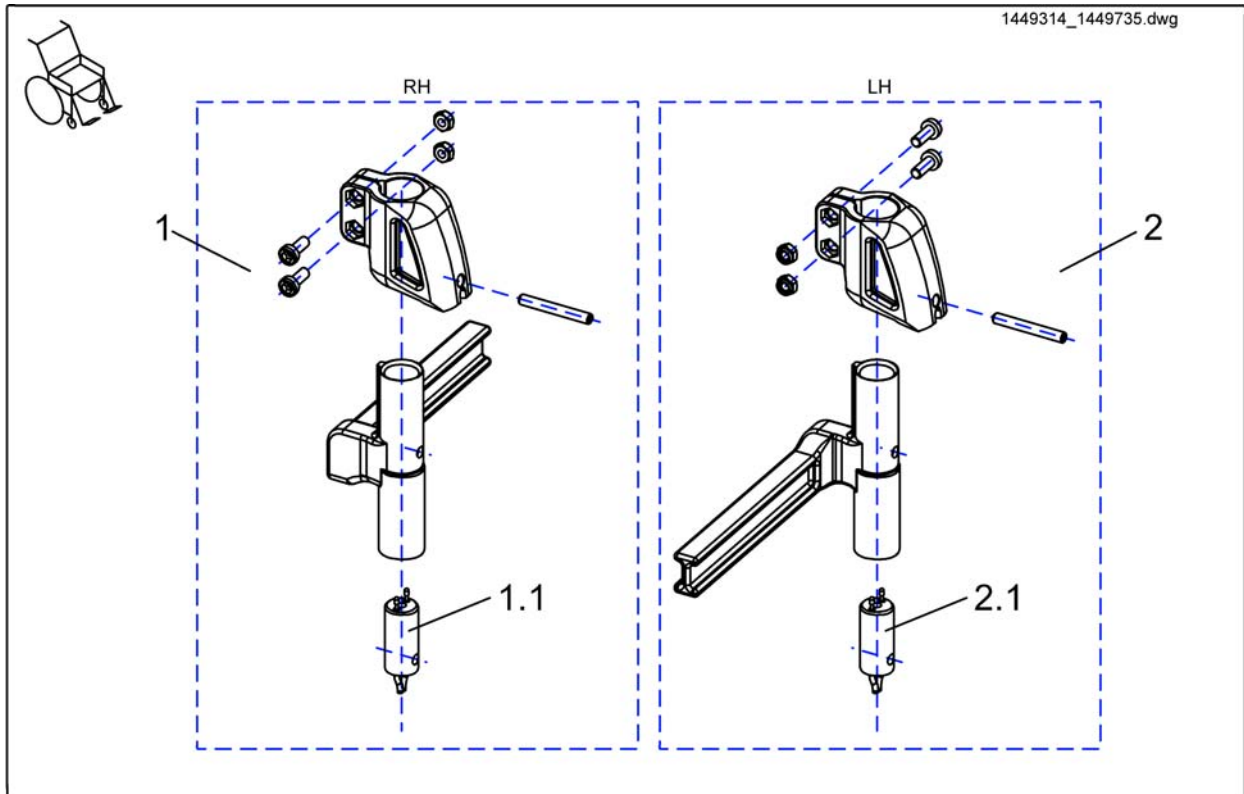
# Hanger electrical



Pos.	Part number	Description	Valid from → until	Qty
1	1436076	CALF PLATE WITH HOLDER LH		1
1	1440594	CALF PLATE WITH HOLDER RH		1
2	1440600	ACTUATOR ELECTRICAL LEGREST 90°		1
2	1440592	ACTUATOR ELECTRICAL LEGREST 100°		1
3,4	SP1440593	Gas Pressure Spring cpl.		1
4	1441590	Assembly lever, frame		1
5	1440603-9005	Support for release lever		1
6	1442727-9005	Support for release lever (Arne Jensen only)		1
7	1434389-9006	Housing		1
8	SP1436082	Arm 3 with bushes		1
9	1440620	MOUNTING KIT FOR CALF PLATE (ELECTRICAL VERSION)		1
10	1440621	MOUNTING KIT ACTUATOR		1
11	1440622	MOUNTING KIT GAS PRESSURE SPRING		1
12	1434424-9005	Part not for sale		1
13	1440477-0004	Footplatbracket electric leg support		1

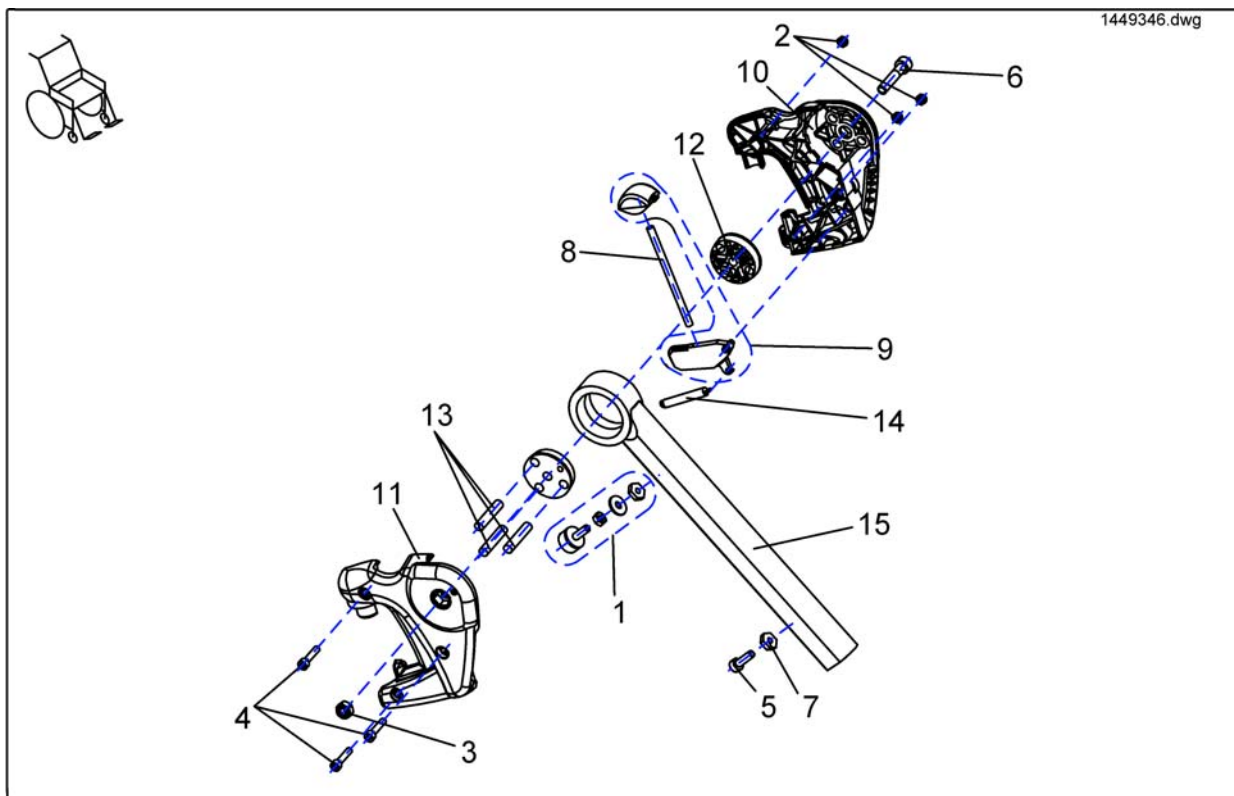


# Legrest Bracket, Electric 5cm 07/2005 ==>

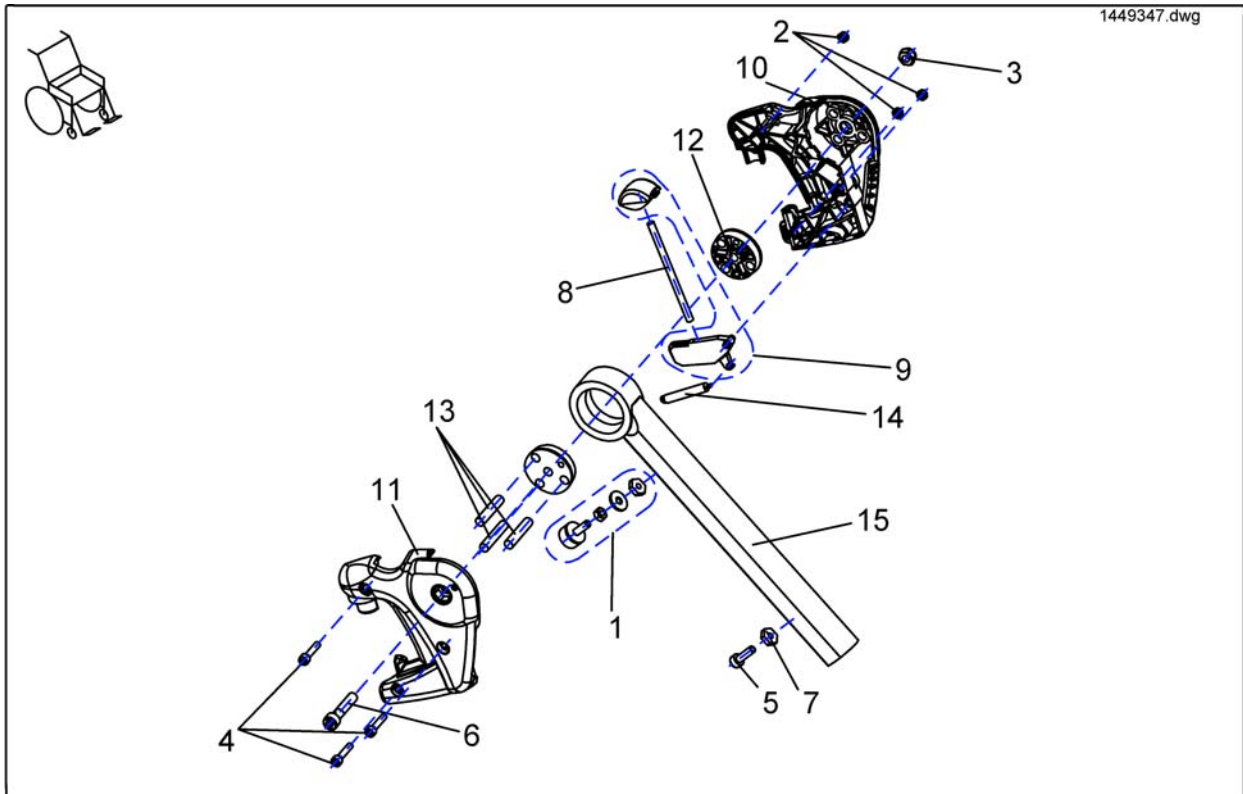


Pos.	Part number	Description	Valid from → until	Qty
1	SP1449734	Footrest/Legrest receptacle, powered, RH, 5cm		1
2	SP1449735	Footrest/Legrest receptacle, powered, LH, 5cm		1
1.1	1450232	POWER SUPPLY CABLE FOOTREST, SHORT (BLACK ADAPTER) ACS 1		1
1.1	1450228	POWER SUPPLY CABLE FOOTREST, LONG (BLACK ADAPTER)		1
2.1	1450228	POWER SUPPLY CABLE FOOTREST, LONG (BLACK ADAPTER)		1

# Upper Vari F, right

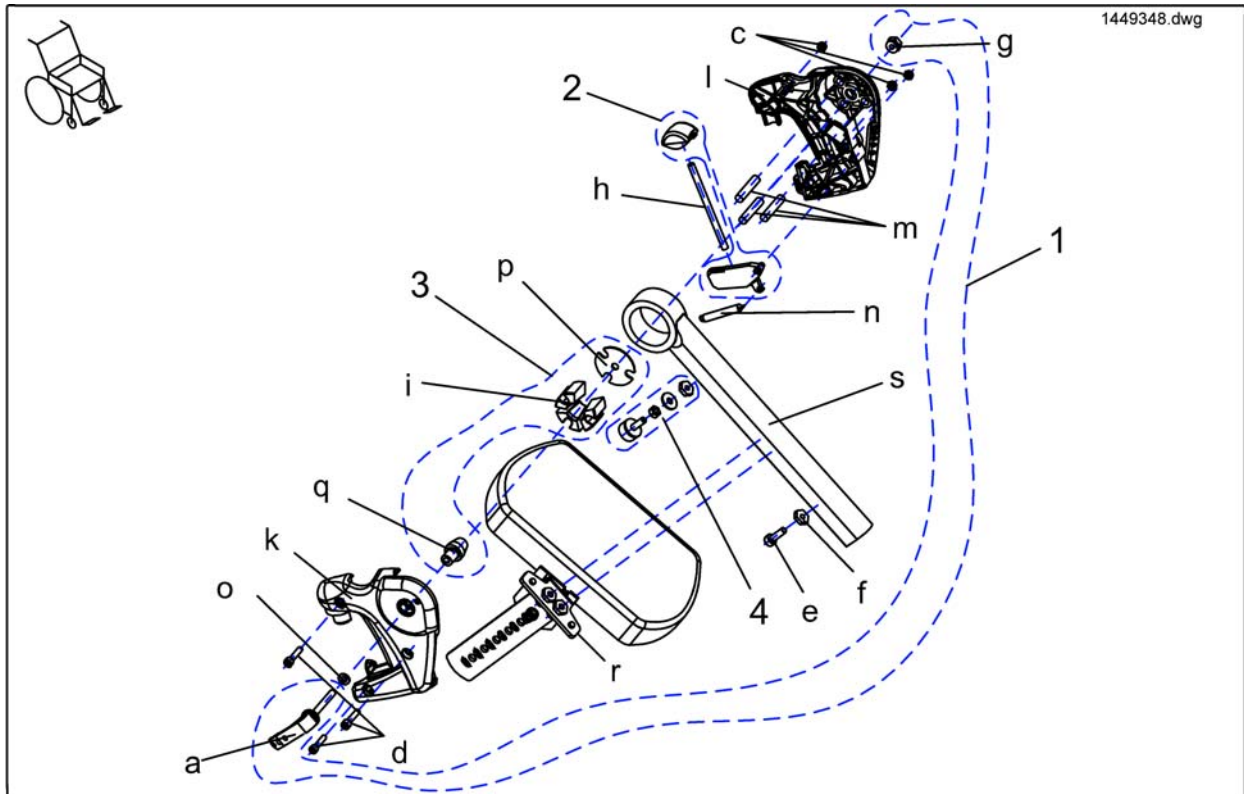


Pos.	Part number	Description	Valid from → until	Qty
-	SP1449346	Hanger Vari F RH cpl.		1
1	1449154	ASSEMBLY KIT, RUBBER STOP COMPLETE, VARI A / VARI F		1
2	-	Hex Nut M5 Self-Locking		1
3	-	Nut, M8 DIN 985		1
4	-	SOCKET HEAD CAP SCREW M5 X 25		1
5	D50049	SOCKET HEAD CAP SCREW M6 X 20		1
6	-	Socket Head Cap Screw M8 X 40		1
7	Z173189.99	NUT M6 WIDTH ACROSS FLATS 14		1
8	-	PUSH ROD		1
9	1449167	TRIP LEVER + LOCK LEVER		1
10	Z173181	LEGREST HANGER COVER LH, VARI F		1
11	Z173182	LEGREST HANGER COVER RH, VARI F		1
12	-	CONED WASHER		1
13	-	DOWEL RD. 8 X 40, DIN-7		1
14	-	PULL SPRING		1
15	Z173185-9005	LEGREST HANGER VARI F		1

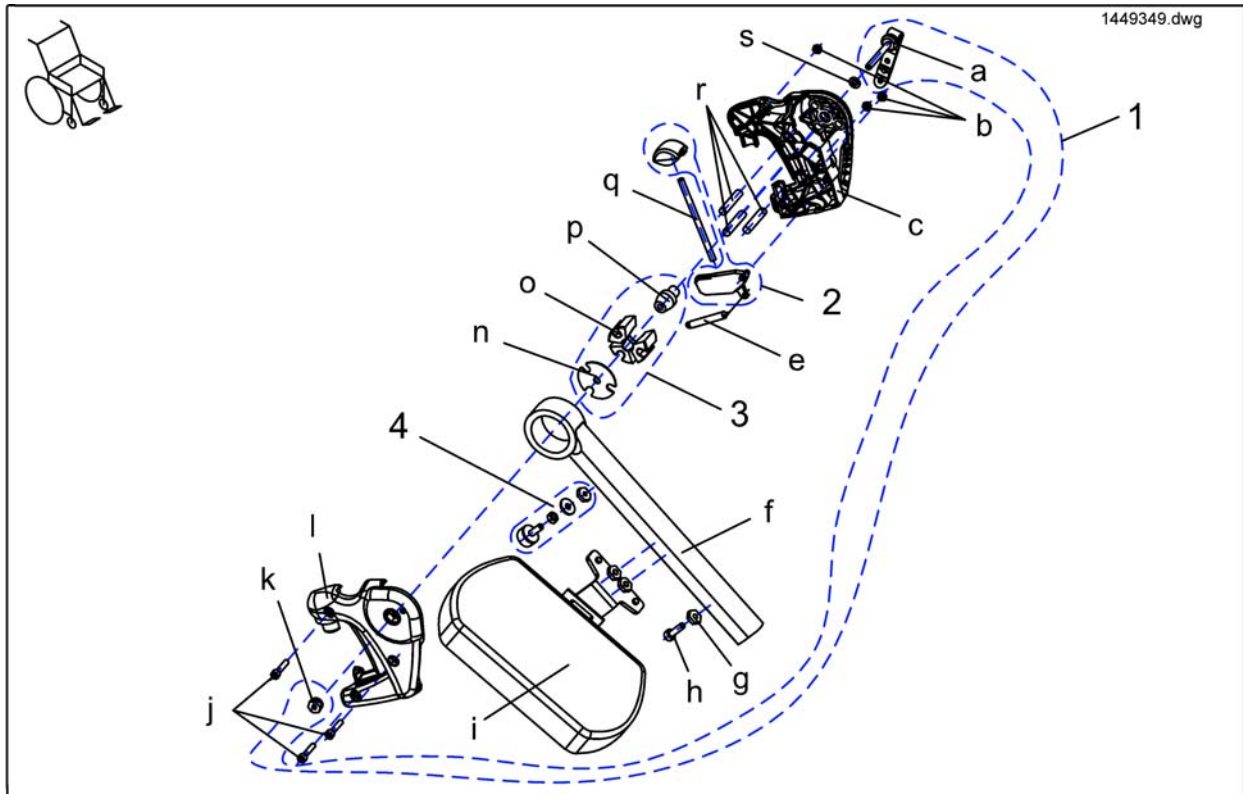


Pos.	Part number	Description	Valid from → until	Qty
-	SP1449347	Hanger Vari F LH cpl.		1
1	1449154	ASSEMBLY KIT, RUBBER STOP COMPLETE, VARI A / VARI F		1
2	-	Hex Nut M5 Self-Locking		1
3	-	Nut, M8 DIN 985		1
4	-	SOCKET HEAD CAP SCREW M5 X 25		1
5	D50049	SOCKET HEAD CAP SCREW M6 X 20		1
6	-	Socket Head Cap Screw M8 X 40		1
7	Z173189.99	NUT M6 WIDTH ACROSS FLATS 14		1
8	-	PUSH ROD		1
9	1449167	TRIP LEVER + LOCK LEVER		1
10	Z173181	LEGREST HANGER COVER LH, VARI F		1
11	Z173182	LEGREST HANGER COVER RH, VARI F		1
12	-	CONED WASHER		1
13	-	DOWEL RD. 8 X 40, DIN-7		1
14	-	PULL SPRING		1
15	Z173185-9005	LEGREST HANGER VARI F		1

# Upper Vari A, rechts

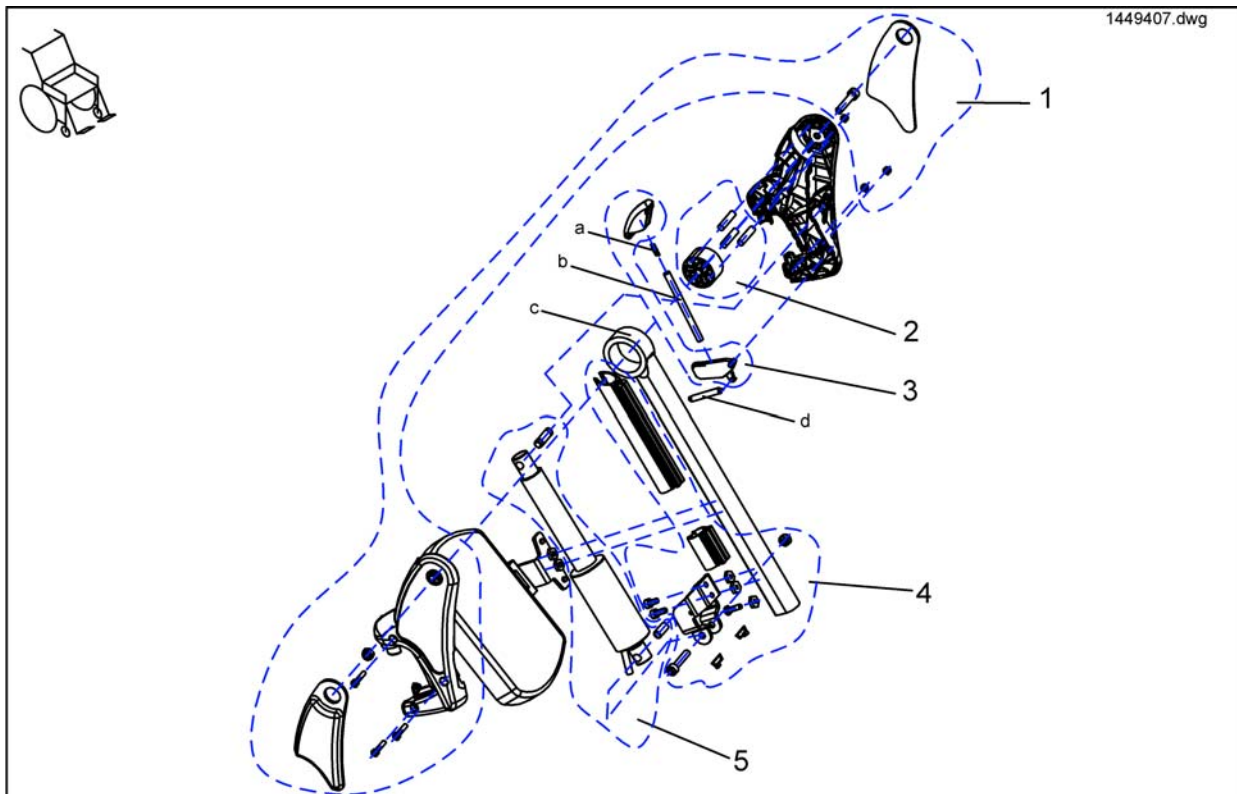


Pos.	Part number	Description	Valid from → until	Qty
g	-	M6 NUT, WIDTH ACROSS FLATS 13		1
p	-	LOCATING PLATE		1
q	-	CONE		1
r	-	CALF PLATE BRACKET RH, SWIVELLING		1
e	D50049	SOCKET HEAD CAP SCREW M6 X 20		1
d	-	SOCKET HEAD CAP SCREW M5 X 25		1
c	-	Hex Nut M5 Self-Locking		1
o	G00115	Washer 6,4 X 12,5 X 1,6 DIN 125		1
m	-	DOWEL RD. 8 X 40, DIN-7		1
a	L32906	CLAMPING LEVER M6		1
-	SP1527492	Hanger Vari A RH, cpl.		1
-	SP1527820	Rework-Kit VariA-Legrest Version 1 ==> Version 2	→ 20090401	1
n	-	PULL SPRING		1
l	Z173181	LEGREST HANGER COVER LH, VARI F		1
h	-	PUSH ROD		1
f	Z173189.99	NUT M6 WIDTH ACROSS FLATS 14		1
k	Z173194	LEGREST HANGER COVER RH		1
s	-	LEGREST HANGER VARI A		1
i	-	CLAMP BLOCK		1
1	1450597	ASSEMBLY KIT, VARI A CLAMPING LEVER		1
2	1449167	TRIP LEVER + LOCK LEVER		1
3	1450598	ASSEMBLY KIT, VARI A CLAMPING BLOCK		1
4	1449154	ASSEMBLY KIT, RUBBER STOP COMPLETE, VARI A / VARI F		1



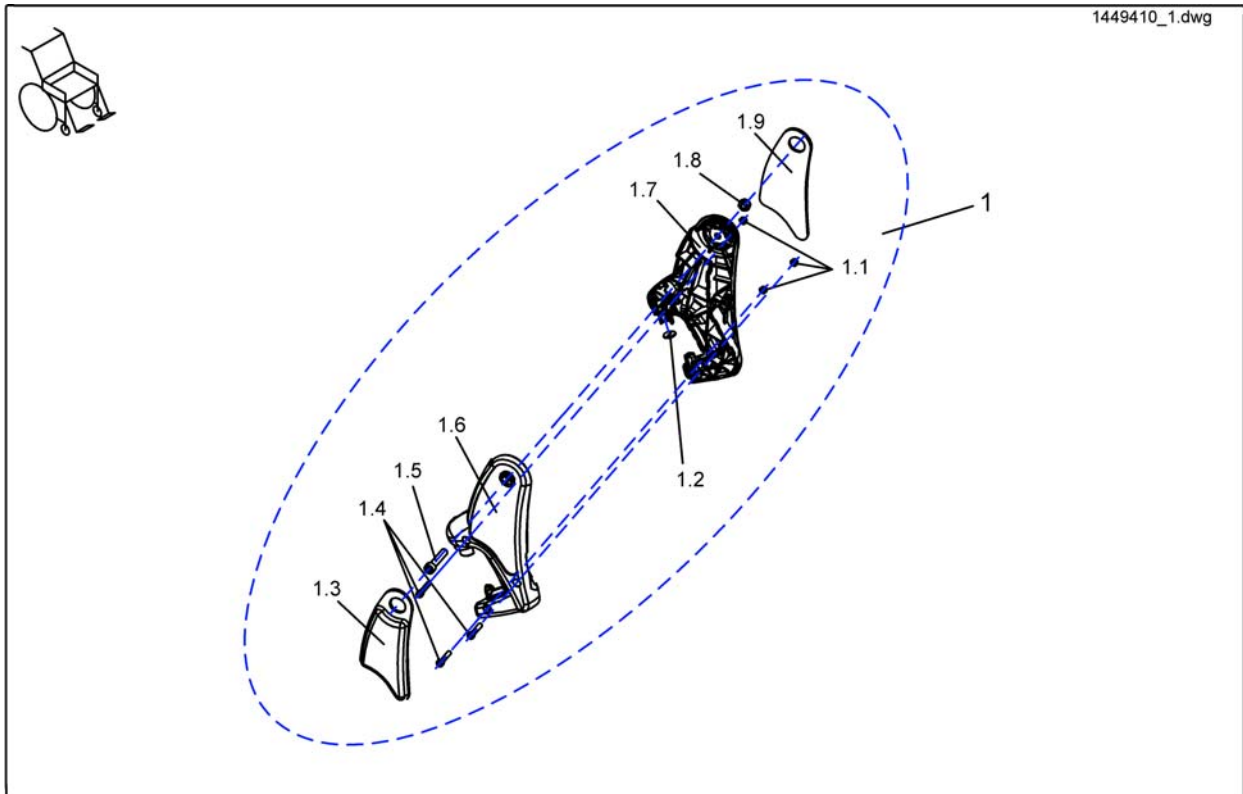
Pos.	Part number	Description	Valid from → until	Qty
k	-	M6 NUT, WIDTH ACROSS FLATS 13		1
n	-	LOCATING PLATE		1
p	-	CONE		1
i	-	CALF PLATE BRACKET, LH, SWIVELLING		1
h	D50049	SOCKET HEAD CAP SCREW M6 X 20		1
j	-	SOCKET HEAD CAP SCREW M5 X 25		1
b	-	Hex Nut M5 Self-Locking		1
s	G00115	Washer 6,4 X 12,5 X 1,6 DIN 125		1
r	-	DOWEL RD. 8 X 40, DIN-7		1
a	L32906	CLAMPING LEVER M6		1
	SP1527498	Hanger Vari A LH, cpl.		1
-	SP1527820	Rework-Kit VariA-Legrest Version 1 ==> Version 2	→ 20090401	1
e	-	PULL SPRING		1
l	Z173182	LEGREST HANGER COVER RH, VARI F		1
q	-	PUSH ROD		1
g	Z173189.99	NUT M6 WIDTH ACROSS FLATS 14		1
c	Z173193	LEGREST HANGER COVER, LH		1
f	-	LEGREST HANGER VARI A		1
o	-	CLAMP BLOCK		1
1	1450597	ASSEMBLY KIT, VARI A CLAMPING LEVER		1
2	1449167	TRIP LEVER + LOCK LEVER		1
3	1450598	ASSEMBLY KIT, VARI A CLAMPING BLOCK		1
4	1449154	ASSEMBLY KIT, RUBBER STOP COMPLETE, VARI A / VARI F		1

# Upper Vari ADP, left



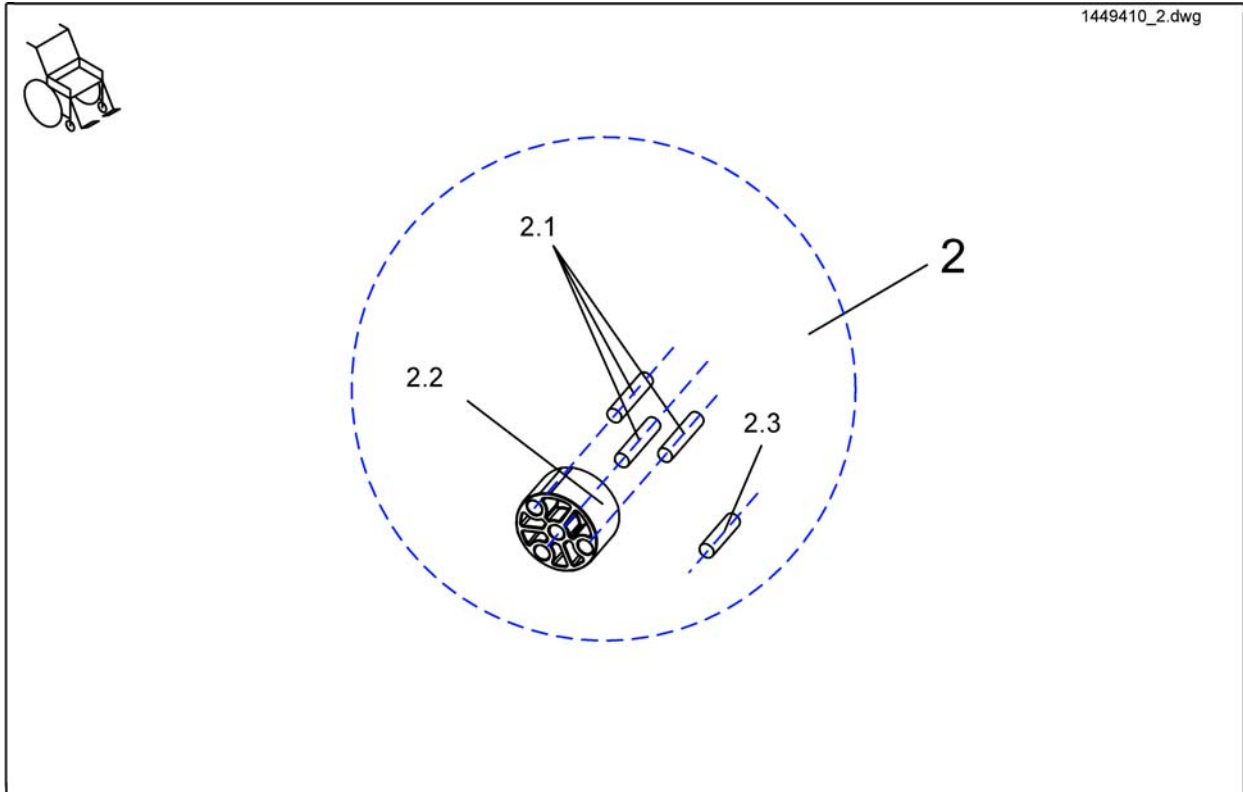
Pos.	Part number	Description	Valid from → until	Qty
d	-	PULL SPRING		1
c	-	LEGREST HANGER ADP		1
b	-	PUSH ROD		1
a	Z174162	KNEE CUSHION, LH		1
-	SP1449407	Hanger ADP LH cpl.		1
1	-	Assembly Kit, ADM Hangers		1
2	-	Assembly Kit, ADM Sliding Bush		1
3	-	Assembly, Trip Lever + Lock Lever		1
4	-	Assembly Kit ADP, Actuator Bracket		1
5	-	Assembly Kit ADP, Hoist Motor		1

# Assembly Kit, ADM Hangers



Pos.	Part number	Description	Valid from → until	Qty
1	1485604	ASSEMBLY KIT, ADM HANGERS		1
1.1	-	Hex Nut M5 Self-Locking		1
1.2	-	ADP-PLATE		1
1.3	Z174172	KNEE PAD (ADM) RH		1
1.4	-	SOCKET HEAD CAP SCREW M5 X 25		1
1.5	-	Socket Head Cap Screw M8 X 40		1
1.6	-	LEGREST HANGER COVER, RH		1
1.7	-	LEGREST HANGER COVER, LH		1
1.8	-	Nut, M8 DIN 985		1
1.9	Z174162	KNEE CUSHION, LH		1

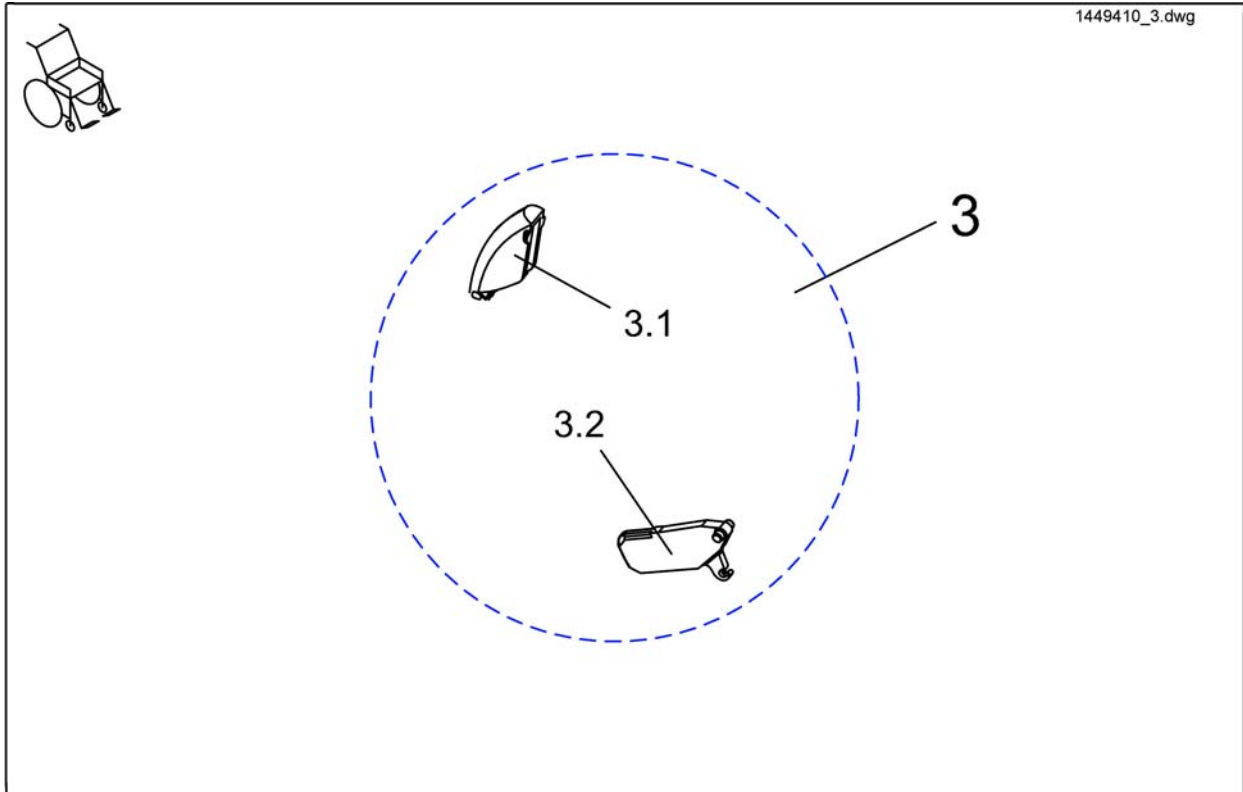
# Assembly Kit, ADM Sliding Bush



Pos.	Part number	Description	Valid from → until	Qty
2	1485605	ASSEMBLY KIT, ADM SLIDING BUSH		1
2.1	-	DOWEL RD. 8 X 36		1
2.2	-	SLIDING BUSHING		1
2.3	-	DOWEL RD. 8 X 30		1

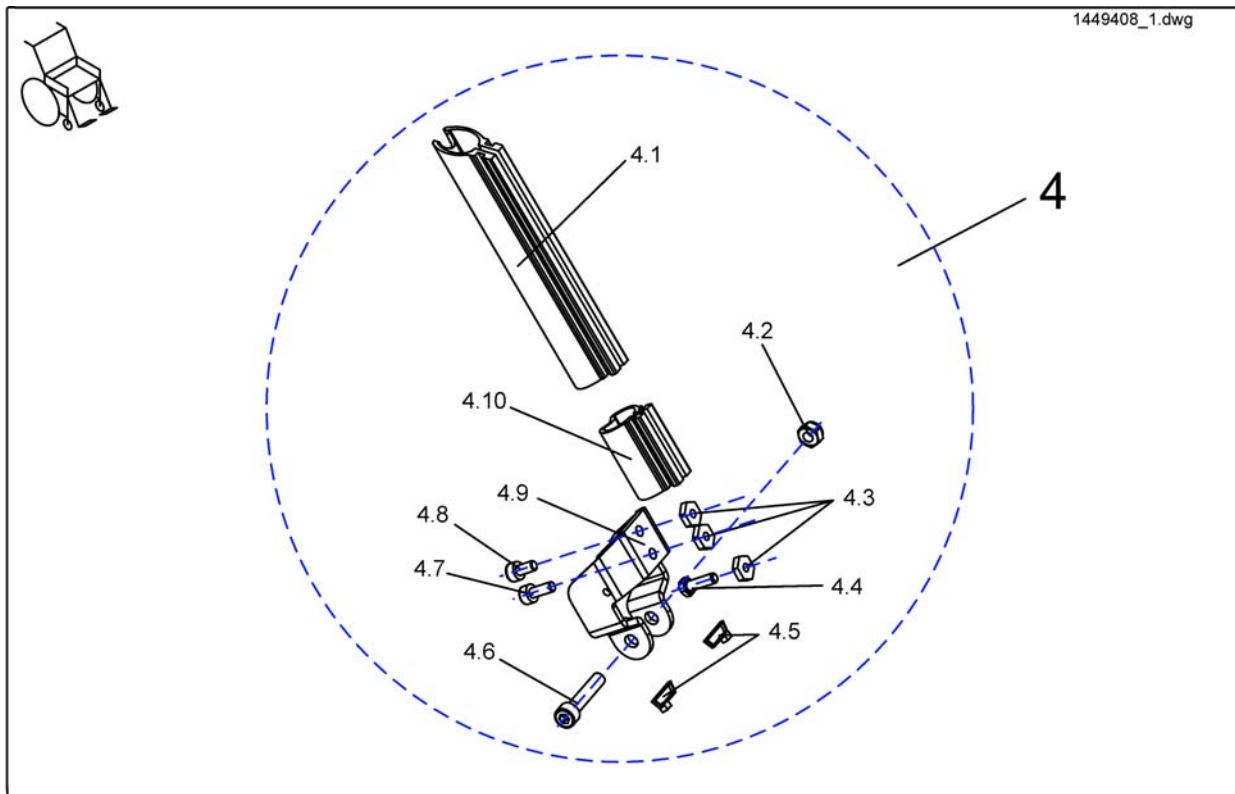


## Assembly, Trip Lever + Lock Lever



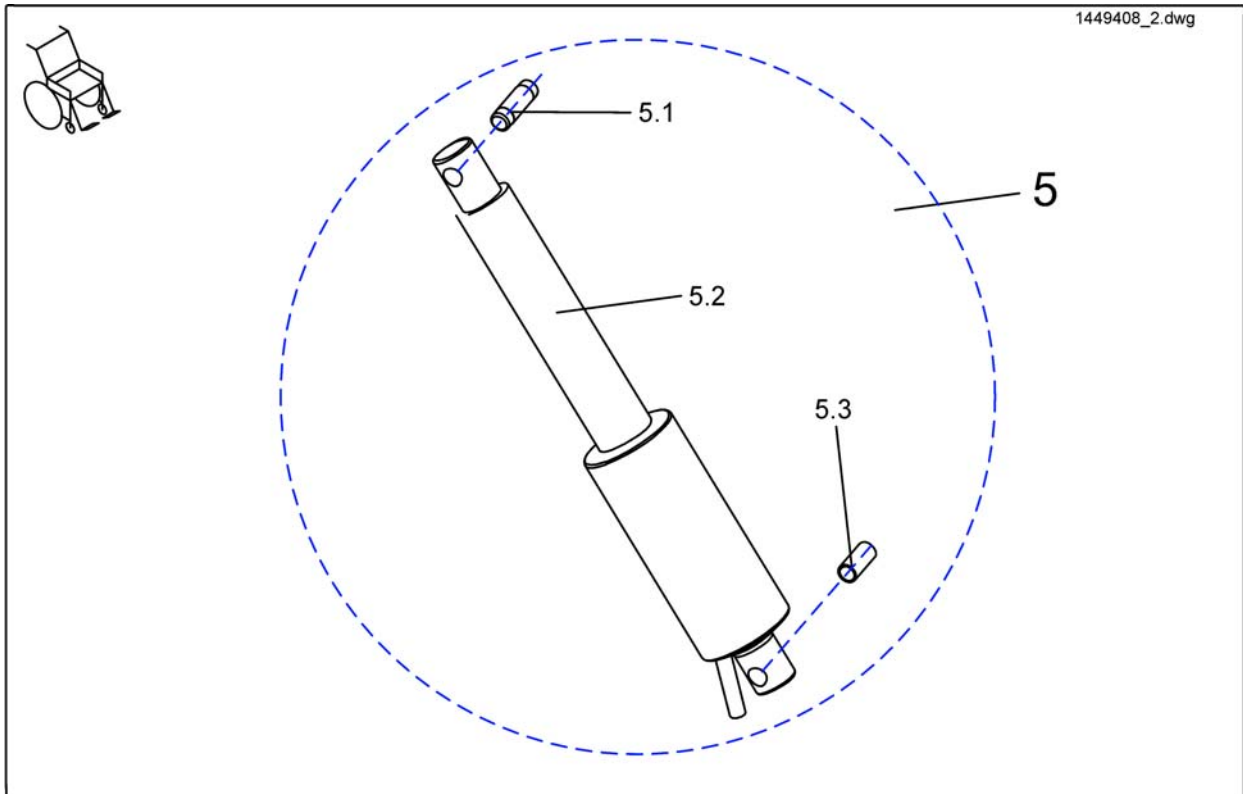
Pos.	Part number	Description	Valid from → until	Qty
3	1449155	TRIP LEVER + LOCK LEVER		1
3	1449167	TRIP LEVER + LOCK LEVER		1
3.1	-	TRIP LEVER		1
3.1	-	TRIP LEVER		1
3.2	-	LOCK LEVER		1

# Assembly Kit ADP, Actuator Bracket



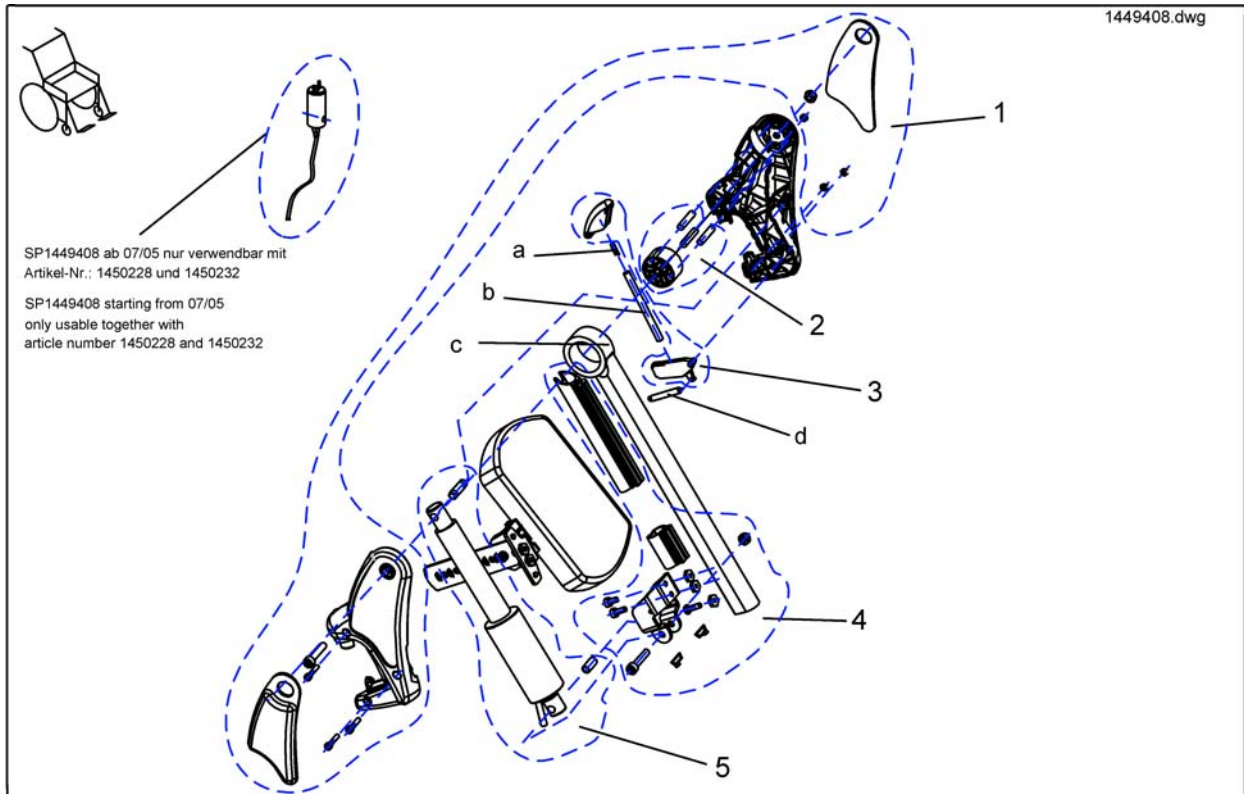
Pos.	Part number	Description	Valid from → until	Qty
4	1450607	ASSEMBLY KIT ADP, ACTUATOR BRACKET		1
4.1	SP1509486	Plastiktube		1
4.2	-	Nut, M8 DIN 985		1
4.3	Z173189.99	NUT M6 WIDTH ACROSS FLATS 14		1
4.4	-	HEX HEAD SCREW M6 X 20		1
4.5	-	CABLE BINDER SHORT L=99 MM		1
4.6	-	Socket Head Cap Screw M8 X 40		1
4.7	-	SOCKET HEAD CAP SCREW M6 X 16		1
4.8	-	SOCKET HEAD CAP SCREW M6 X 12		1
4.9	-	ACTUATOR HOLDING PLATE		1
4.10	Z174174	LOWER GUARD		1

# Assembly Kit ADP, Hoist Motor

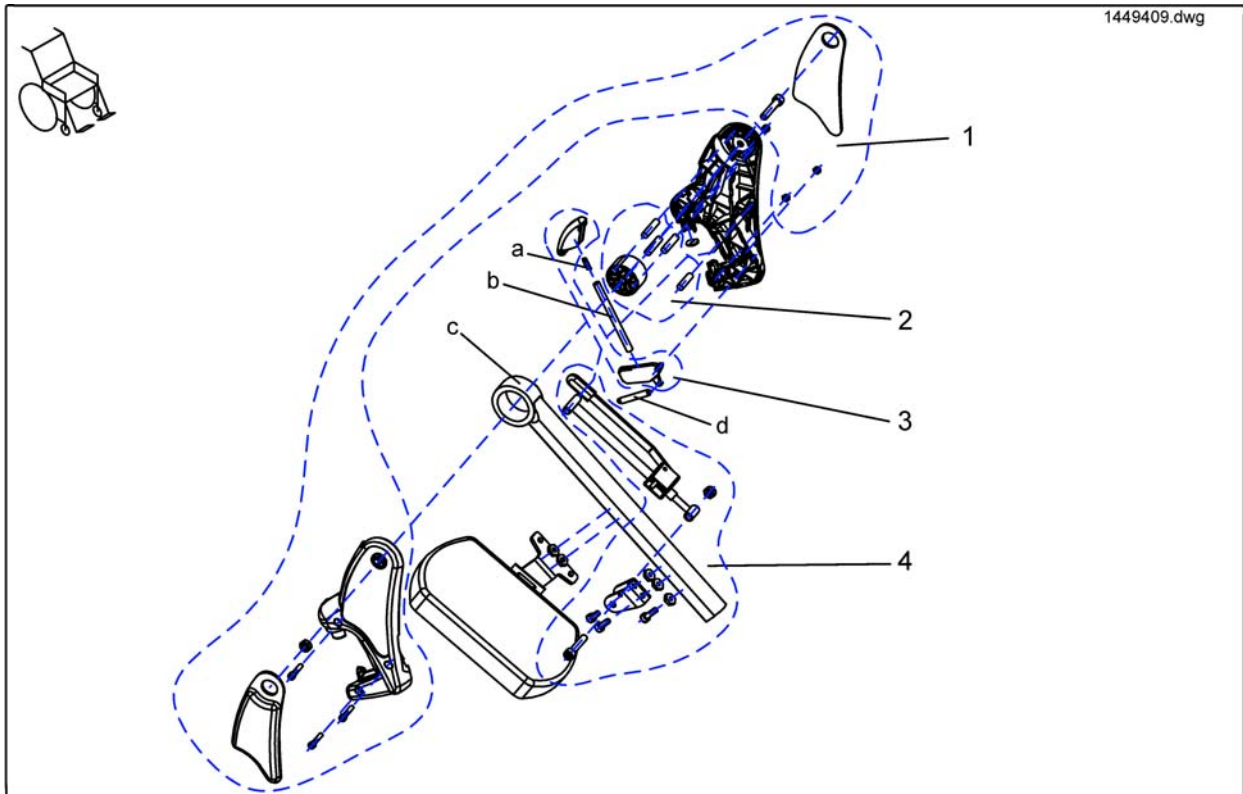


Pos.	Part number	Description	Valid from → until	Qty
5	1450606	ASSEMBLY KIT ADP, HOIST MOTOR		1
5.1	-	PIVOT BUSH		1
5.2	Z151006	ACTUATOR WITH CIRCUIT BOARD, PRE-ASSEMBLED		1
5.3	4000665-0002	SPACER BUSH 10X1X22.5		1

# Upper Vari ADP, right

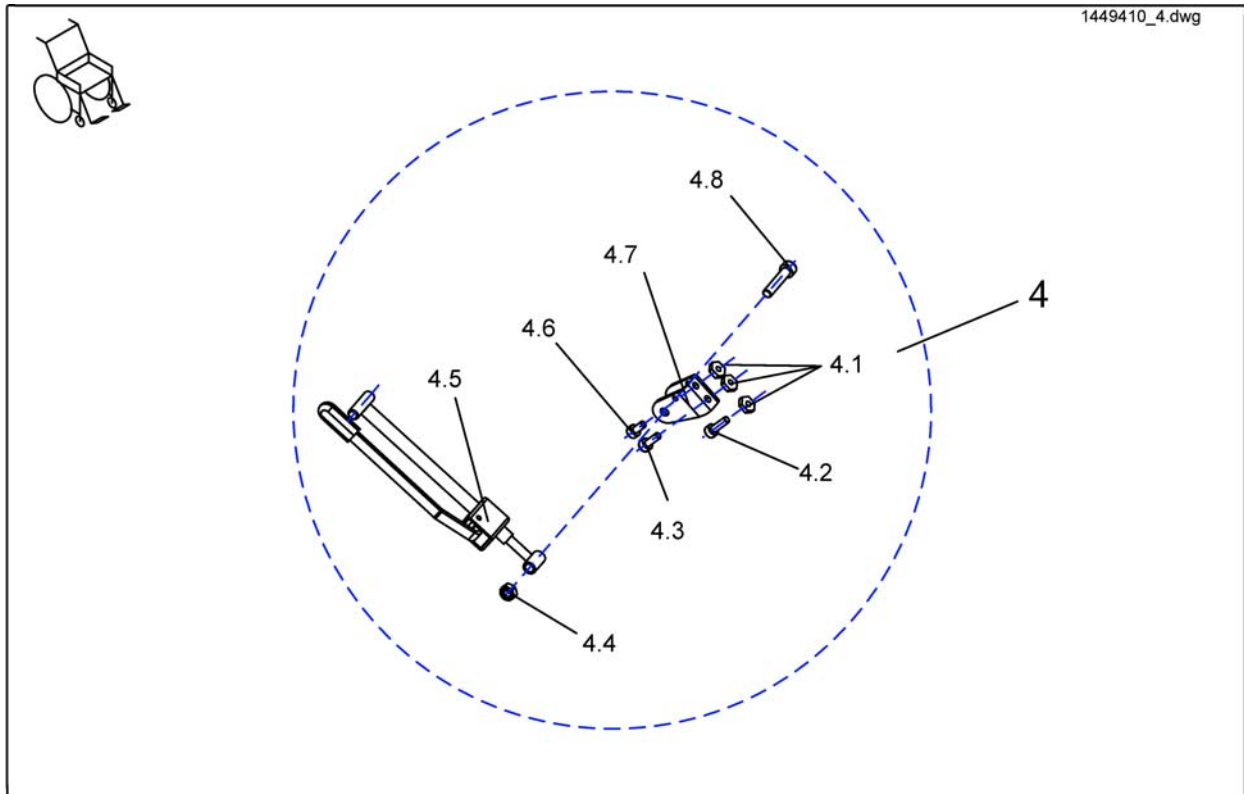


Pos.	Part number	Description	Valid from → until	Qty
-	SP1449408	Hanger ADP RH cpl.		1
b	-	PUSH ROD		1
d	-	PULL SPRING		1
c	-	LEGREST HANGER ADP		1
a	-	COMPRESSION SPRING L0=16, 4 D=0, 5 DA=5, 5		1
1	-	Assembly Kit, ADM Hangers		1
2	-	Assembly Kit, ADM Sliding Bush		1
3	-	Assembly, Trip Lever + Lock Lever		1
4	-	Assembly Kit ADP, Actuator Bracket		1
5	-	Assembly Kit ADP, Hoist Motor		1
4.1	SP1509486	Plastiktube		1

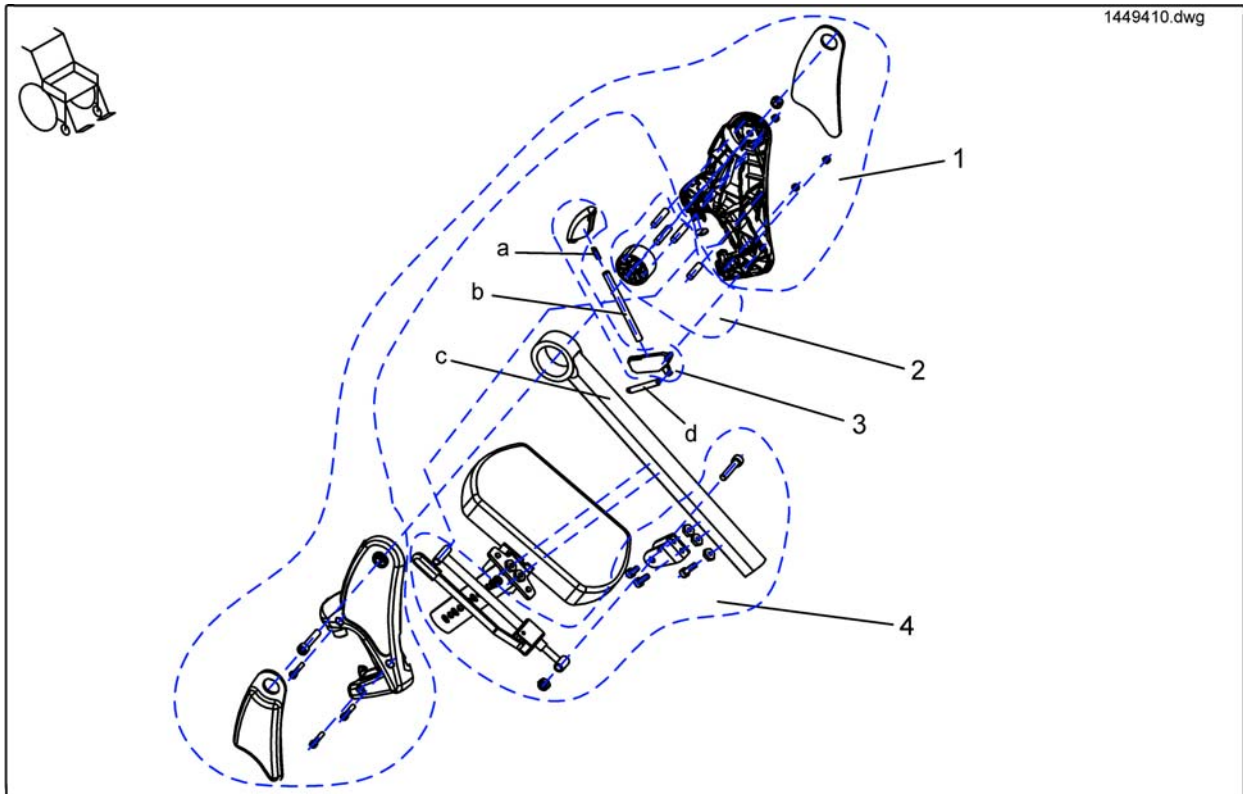


Pos.	Part number	Description	Valid from → until	Qty
d	-	PULL SPRING		1
c	Z173207-9005	LEGREST HANGER ADM RAL 9005		1
b	-	PUSH ROD		1
a	-	COMPRESSION SPRING L0=16, 4 D=0, 5 DA=5, 5		1
-	SP1449409	Hanger ADM LH cpl.		1
1	-	Assembly Kit, ADM Hangers		1
2	-	Assembly Kit, ADM Sliding Bush		1
3	-	Assembly, Trip Lever + Lock Lever		1
4	-	Assembly Kit, ADM Adjustment		1

## Assembly Kit, ADM Adjustment

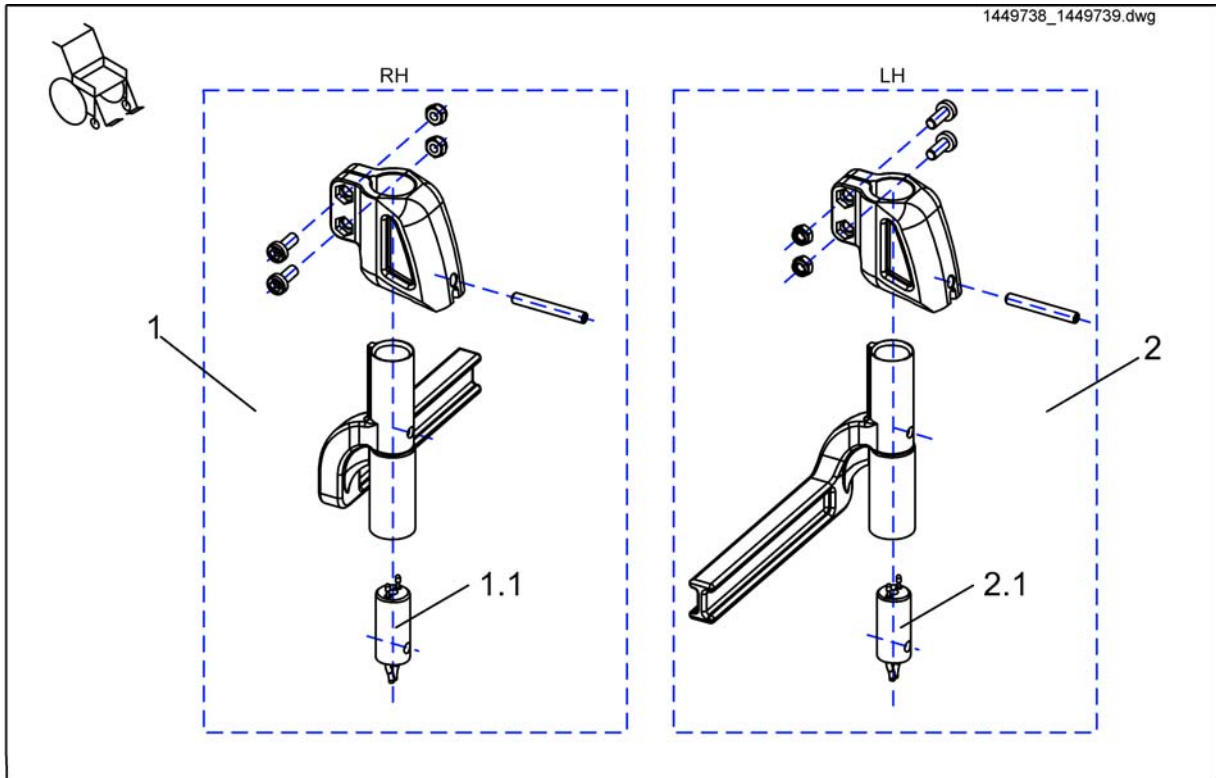


Pos.	Part number	Description	Valid from → until	Qty
4	1485606	ASSEMBLY KIT, ADM ADJUSTMENT		1
4.1	Z173189.99	NUT M6 WIDTH ACROSS FLATS 14		1
4.2	D50049	SOCKET HEAD CAP SCREW M6 X 20		1
4.3	-	SOCKET HEAD CAP SCREW M6 X 16		1
4.4	-	Nut, M8 DIN 985		1
4.5	-	ADM ADJUSTMENT MECHANISM CPL.		1
4.6	-	SOCKET HEAD CAP SCREW M6 X 12		1
4.7	-	ACTUATOR MOUNT		1
4.8	-	Socket Head Cap Screw M8 X 40		1



Pos.	Part number	Description	Valid from → until	Qty
d	-	PULL SPRING		1
c	Z173207-9005	LEGREST HANGER ADM RAL 9005		1
b	-	PUSH ROD		1
a	-	COMPRESSION SPRING L0=16, 4 D=0, 5 DA=5, 5		1
-	SP1449410	Hanger ADM RH cpl.		1
1	-	Assembly Kit, ADM Hangers		1
2	-	Assembly Kit, ADM Sliding Bush		1
3	-	Assembly, Trip Lever + Lock Lever		1
4	-	Assembly Kit, ADM Adjustment		1

# Legrest Bracket, Electric 8cm

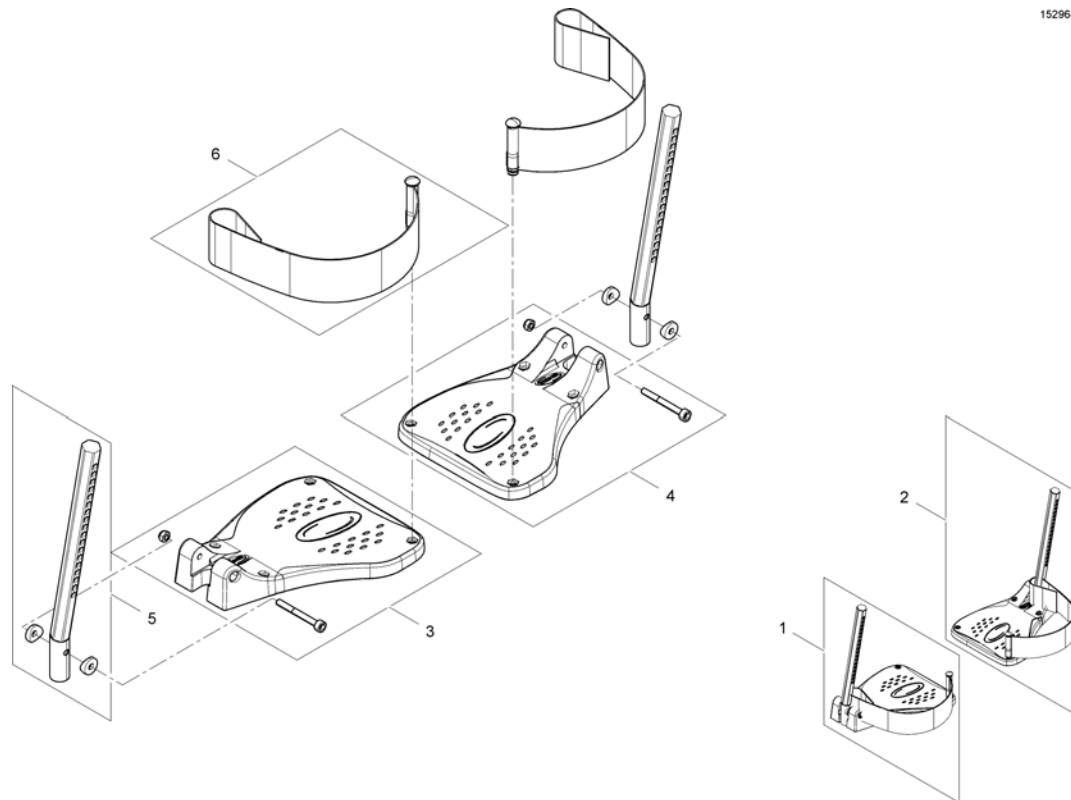


Pos.	Part number	Description	Valid from → until	Qty
1	SP1449738	Footrest/Legrest receptacle, powered, RH, 8cm		1
2	SP1449739	Footrest/Legrest receptacle, powered, LH, 8cm		1
1.1	1450232	POWER SUPPLY CABLE FOOTREST, SHORT (BLACK ADAPTER) ACS 1 <i>compatibly only with legrest fixation from 07.2005</i>		1
1.1	1450228	POWER SUPPLY CABLE FOOTREST, LONG (BLACK ADAPTER) <i>compatibly only with legrest fixation from 07.2005</i>		1
2.1	1450228	POWER SUPPLY CABLE FOOTREST, LONG (BLACK ADAPTER) <i>compatibly only with legrest fixation from 07.2005</i>		1



# Footplate flip up 01.08.10 ==>

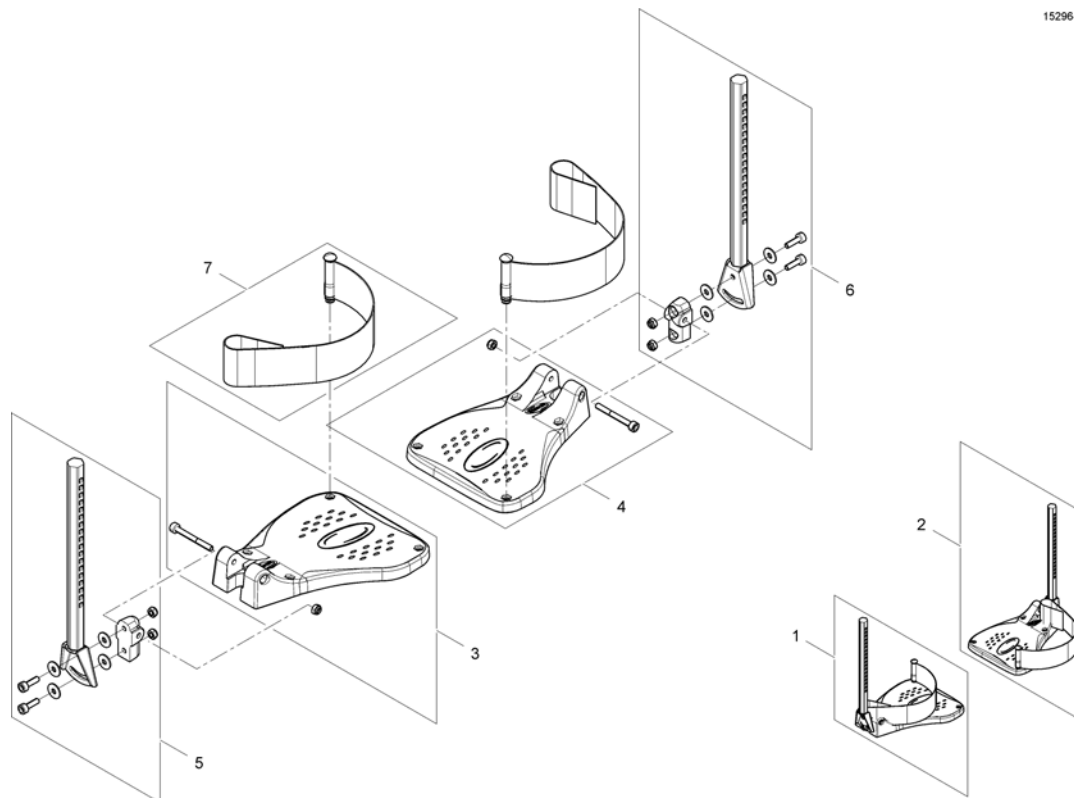
1529644X.iso



Pos.	Part number	Description	Valid from → until	Qty
1	SP1541575	Footplate flip up, LH, cpl.		1
2	SP1541574	Footplate flip up, RH, cpl.		1
3	SP1529645	FOOTPLATE LH		1
4	SP1529644	FOOTPLATE RH		1
5	SP1543045	Plug-in tube		1
6	SP1423202	HEEL STRAP CPL.		1

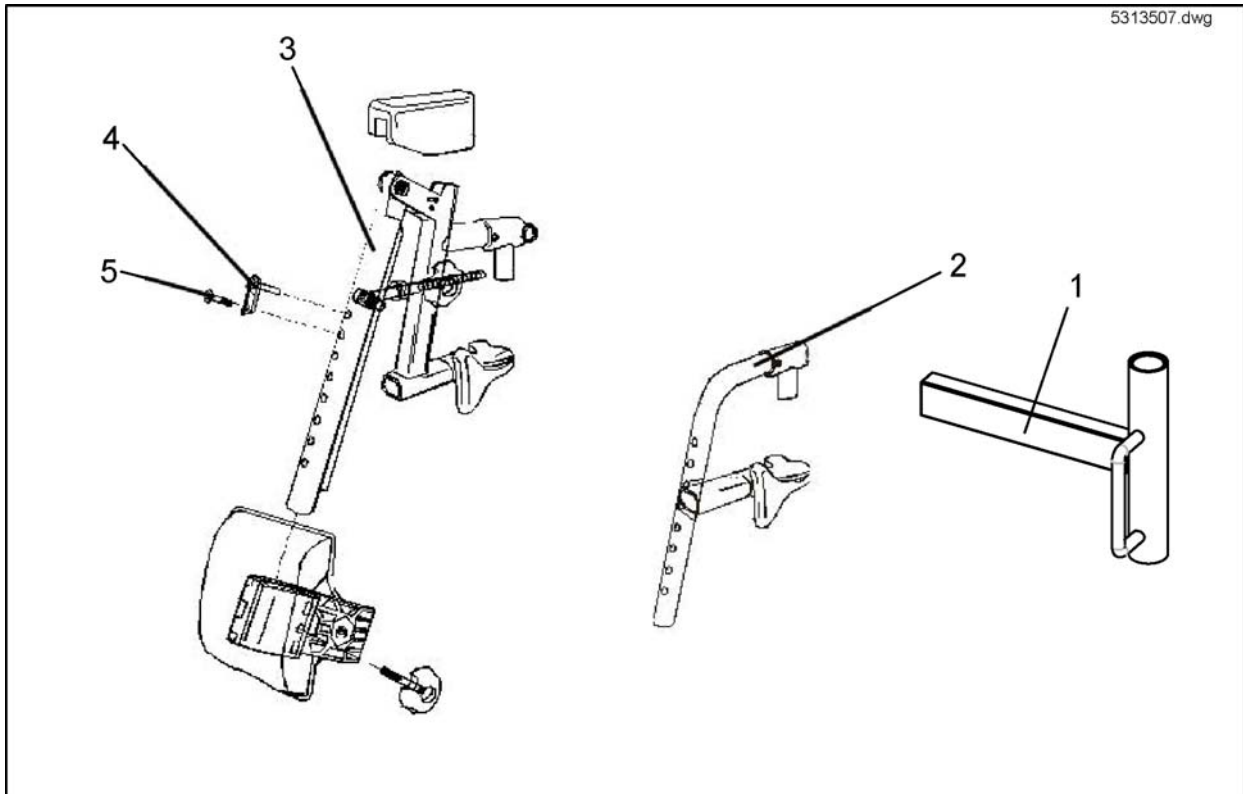
# Footplate flip up, angle-adjustable 01.08.10 ==>

1529645X.iso



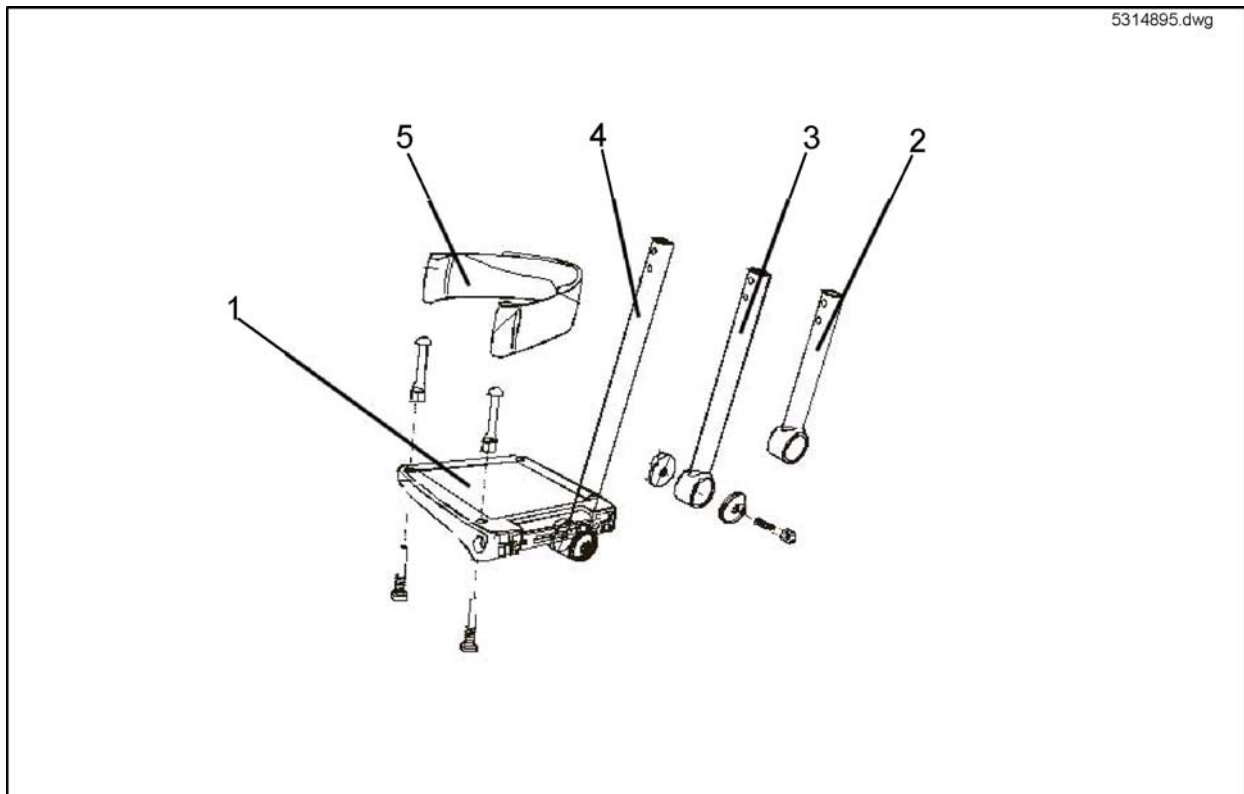
Pos.	Part number	Description	Valid from → until	Qty
1	SP1541580	Footplate flip up, angle adjustable, LH, cpl.		1
2	SP1541579	Footplate flip up, angle adjustable, RH, cpl.		1
3	SP1529645	FOOTPLATE LH		1
4	SP1529644	FOOTPLATE RH		1
5	SP1423204	FOOT PLATE TUBE, ANGLE ADJUSTMENT LH CPL.		1
6	SP1423203	FOOT PLATE TUBE, ANGLE ADJUSTMENT RH CPL.		1
7	SP1423202	HEEL STRAP CPL.		1

## Moover Legrests, manually, right and left



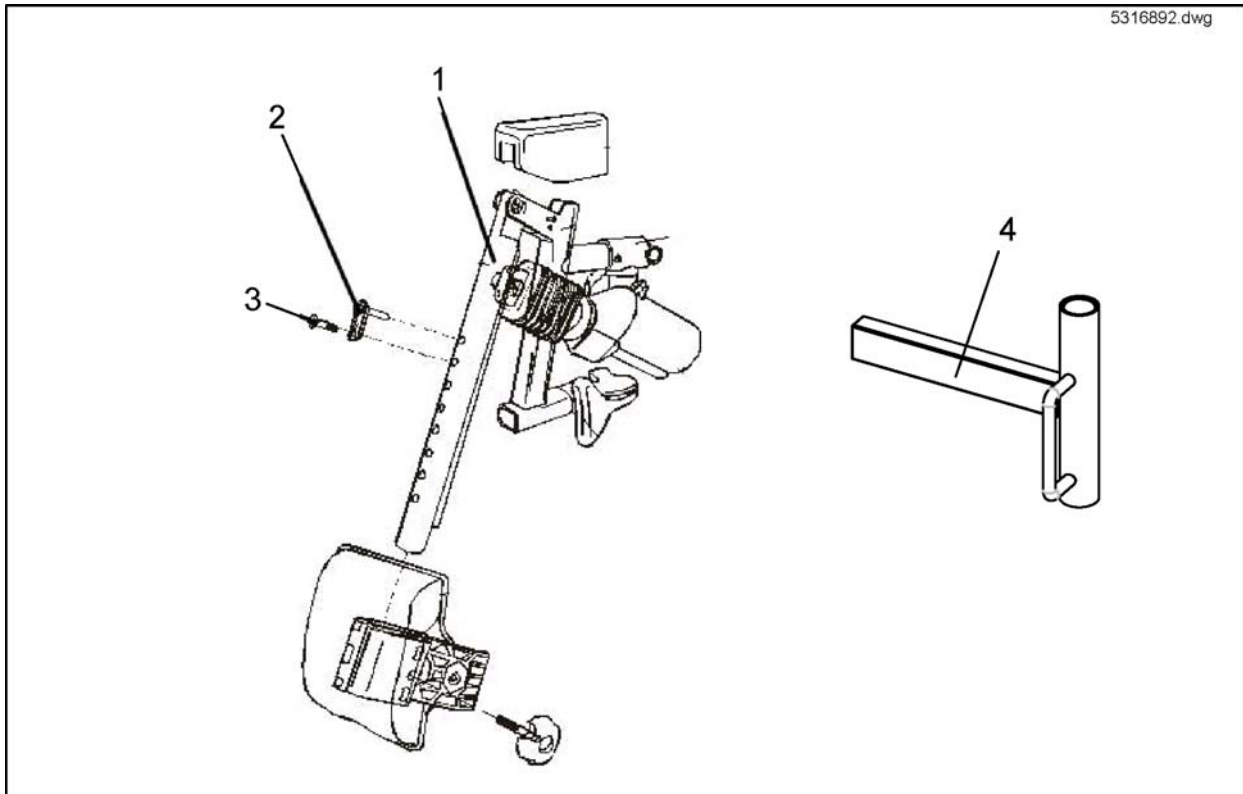
Pos.	Part number	Description	Valid from → until	Qty
1	1426897-9005	Part not for sale		1
1	1426898-9005	Part not for sale		1
2	5103204-C9005	FOOTR U.PART RI CPL		1
2	5103205-C9005	FOOTR U.PART LE CPL		1
3	5313507	LEGREST UPPER PART ANGLE		1
3	5313508	LEGREST UPPER PART ANGLE		1
4	5104959	TWISTLOCK		1
5	5824348	M6X20 ALLEN SCREW DIN 69		1

## Moover Legrests Lower Parts



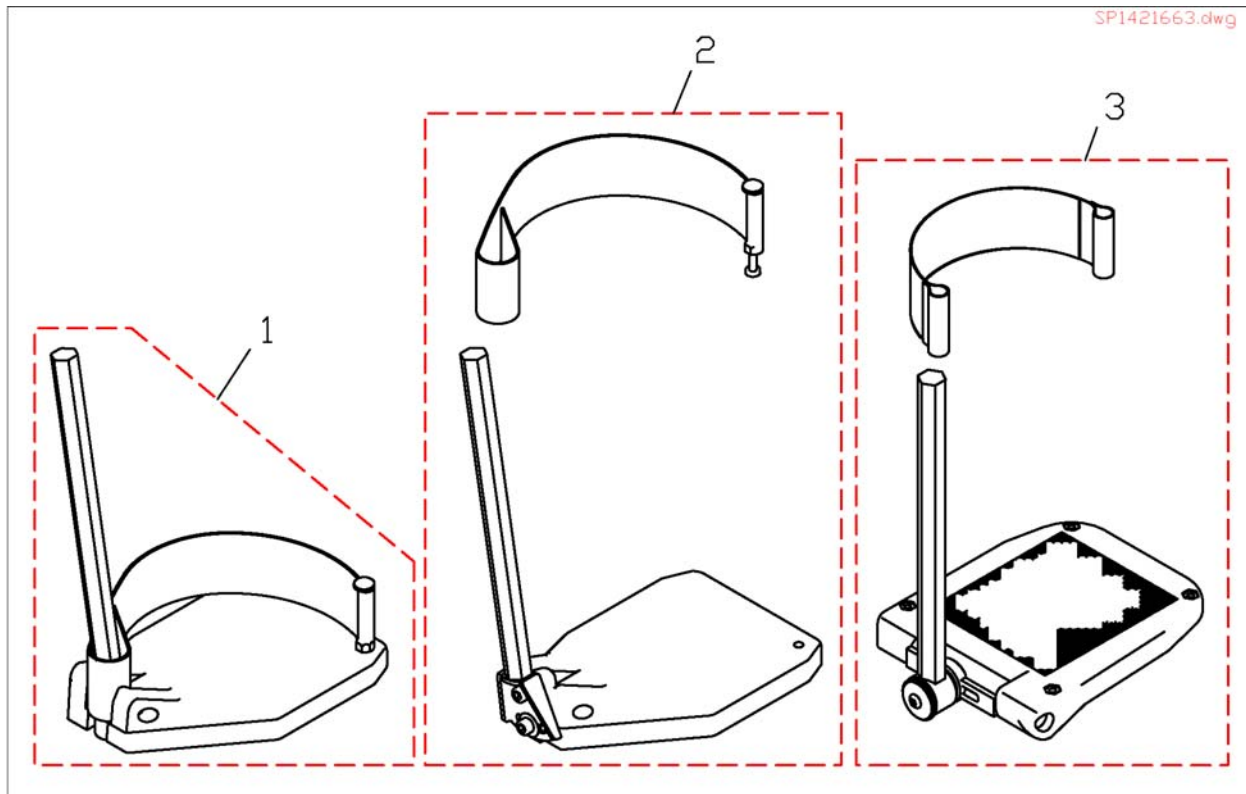
Pos.	Part number	Description	Valid from → until	Qty
1	5313506	FOOTPLATE ADAPT 50 CPL.		1
2	5314760	PLUG-IN TUBE (SHORT)		1
3	5314752	PLUG-IN TUBE (MIDDLE)		1
4	5314759	PLUG-IN TUBE (LONG)		1
5	5321579	HEEL LOOP, PAIR		1

## Moover Legrests electrically, right and left



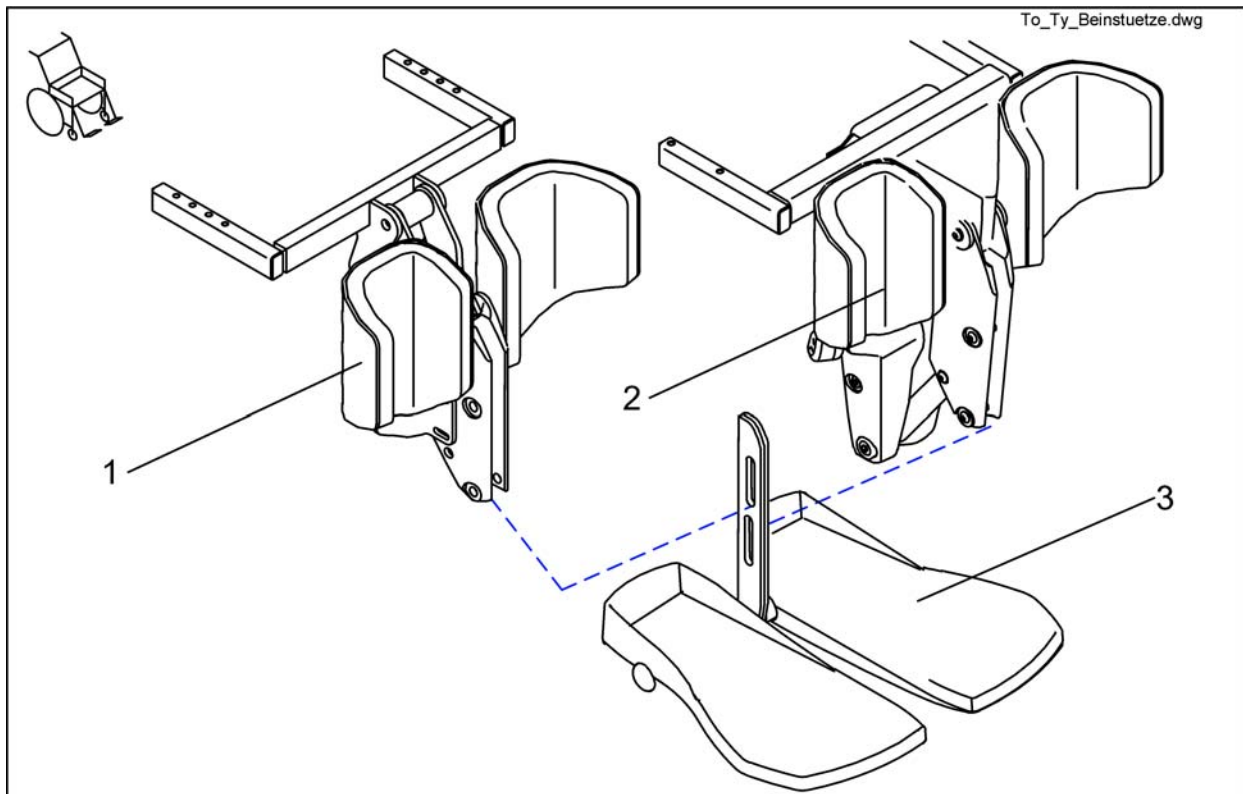
Pos.	Part number	Description	Valid from → until	Qty
-	5316892	Part not for sale		1
-	5316893	Part not for sale		1
2	5104959	TWISTLOCK		1
3	5824348	M6X20 ALLEN SCREW DIN 69		1
4	SP1492112	Part not for sale		1
4	SP1492111	Part not for sale		1

# Footrest Lower Parts



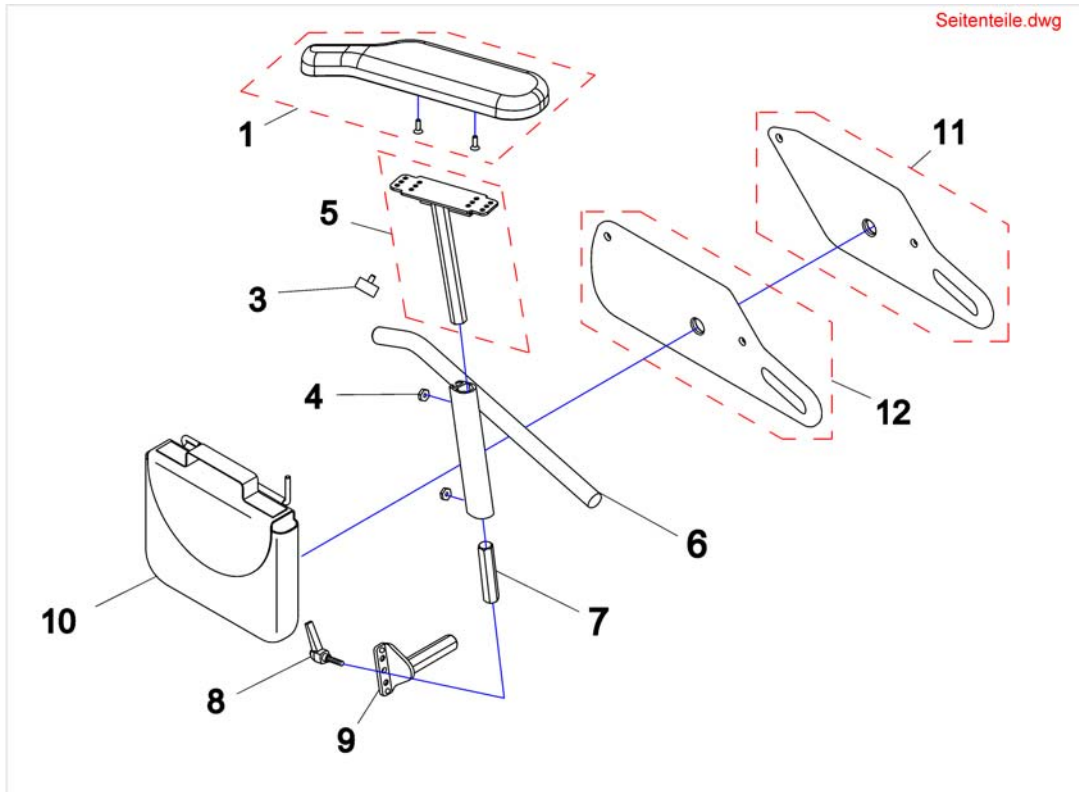
Pos.	Part number	Description	Valid from → until	Qty
1	SP1421663	Footplate LH fix, with Support Tube cpl.		1
1	SP1421662	Footplate RH fix, with Support Tube cpl.		1
2	SP1421664	Footplate RH anlge adjustable, with Support Tube cpl.		1
2	SP1421665	Footplate LH anlge adjustable, with Support Tube cpl.		1
3	SP1419344	Footplate LH Anlge And Depth Adjustable, With Support Tube cpl.		1
3	SP1419345	Foot Plate RH Angle And Depth Adjustable cpl.		1
4	SP1446549	Part not for sale		1
5	SP1446548	Part not for sale		1

## Legrests, central mounted



Pos.	Part number	Description	Valid from → until	Qty
1	SP1436512	Centre Hanger, manual, cpl.		1
2	SP1440413	CENTRAL HANGER 90°, ELECTRICAL, COMPLETE		1
2	SP1436513	Centre Hanger, electr. 100°, cpl.		1
3	SP1440292	Central Lower Legrest, large (44-50cm), cpl.		1
3	SP1440291	Central Lower Legrest, medium (38-44cm), cpl.		1
3	SP1440290	Central Lower Legrest, small (32-38cm), cpl.		1

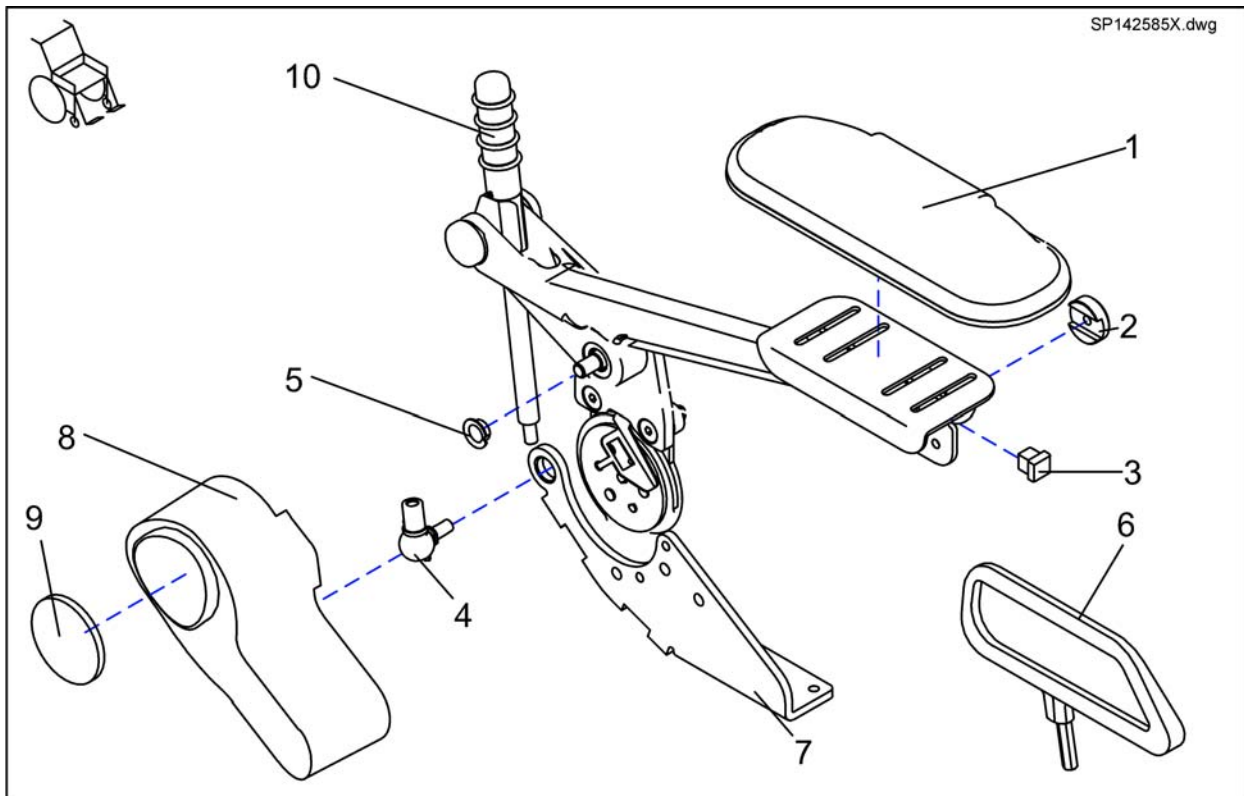
# Side Panels, Standard



Pos.	Part number	Description	Valid from → until	Qty
1	SP1528845	Armpad, long, RH (376mm)		1
1	SP1528846	Armpad, long, LH (376mm)		1
1	SP1449043	Armpad RH (326mm)	20090101 →	1
1	SP1443004	Armpad LH (326mm)	20090101 →	1
3	-	Handknob		1
4	Z173189.99	NUT M6 WIDTH ACROSS FLATS 14		1
5	SP1510857	Armpad holder LH		1
5	SP1510856	Armpad holder RH		1
6	1422095-9005	SIDE PART ADJUSTMENT LH CPL. 250-340 MM		1
6	1422096-9005	SIDE PART ADJUSTMENT RH CPL. 250-340 MM		1
6	1422098-9005	SIDE PART ADJUSTMENT RH CPL. 290-380 MM		1
6	1422099-9005	SIDE PART ADJUSTMENT LH CPL. 290-380 MM		1
7	1422092-0002	CONNECTION PIECE		1
8	1415027	CLAMP LEVER M6 X 25		1
10	SP1430416	Bag For Side Panel RH cpl.		1
10	SP1430417	Bag For Side Panel LH cpl.		1
11	SP1428078	Side part, Seatdepth 410mm		1
12	SP1420471	Side part, Seatdepth 460 & 510mm		1





# Sliding Armrest





Pos.	Part number	Description	Valid from → until	Qty
-	SP1425859	KIT SLIDING ARMRESTS PAIR, F. ELECTRIC BACKREST ADJUSTMENT FLEX		1
-	SP5314641	SLIDING ARMREST LH CPL.		1
-	SP5311680	SLIDING ARMREST RH CPL.		1
-	SP1425853	KIT SLIDING ARMRESTS PAIR, F. MANUAL BACKREST ADJUSTMENT FLEX		1
1	5314641	ARMREST UPHOLSTERY 340 MM		1
1	5311680	ARMREST UPHOLSTERY 260 MM		1
2	1421657-0003	Retaining Washer		1
3	-	Tube End Plug E 15 X 15		1
4	N04109	SWIVEL JOINT AS 13-M8 RH		1
5	N02194	BUSH BB 1209 DU		1
6	SP1436540	CLOTHING PROTECTOR PAIR SLIDING ARMREST SEAT WIDTH=39CM		1
6	SP1436539	CLOTHING PROTECTOR PAIR SLIDING ARMREST SEAT WIDTH>39CM		1
7	1429563-9005	FITTING ATTACHMENT RH F. SLIDING ARMREST		1
7	1429564-9005	FITTING ATTACHMENT LH F. SLIDING ARMREST		1
8	1428057	MOTOR CAP FOR ELECTRIC BACKREST SLIDING ARMREST		1
9	1420482	REFLECTOR		1
10	SP1451392	ASSEMBLY KIT, GUIDE ROD		1

# Armrests, cpl.

1421693X.dwg

Seat height 45cm/47cm Seatraiser - seatheight 47cm - 77cm					
Standard, Contour, Flex				01/01/09 ==>	
Armrest height 340mm		Armrest height 380mm			
		RH	LH	RH	LH
> 39cm	> 41cm	1	2	3	4
39cm	> 41cm	5	6	7	8
> 39cm	<= 41cm	9	10	11	12
39cm	<= 41cm	13	14	15	16
Recaro					
n.A.		n.A.		01/01/09 ==>	
		electric		manuell	
n.A.	n.A.	3	4	17	18
child seat					
		RH	LH		
		19	20		
armrest for Optimist Seat			armcushion for Optimist Seat		
cushion	RH	LH	cushion	RH	LH
30cm	21	22	30cm	27	28
35cm	23	24	35cm	29	30
40cm	25	26	40cm	31	32

Seatraiser 40cm - 70cm					
Standard, Contour, Flex				01/01/09 ==>	
Armrest height 340mm		Armrest height 380mm			
		RH	LH	RH	LH
> 39cm	> 41cm	33	34	35	36
39cm	> 41cm	37	38	39	40
> 39cm	<= 41cm	41	42	43	44
39cm	<= 41cm	45	46	47	48
Recaro					
n.A.		n.A.		01/01/09 ==>	
		electric		manuell	
n.A.	n.A.	35	36	49	50
child seat					
		RH	LH		
		51	52		
armrest for Optimist Seat			armcushion for Optimist Seat		
cushion	RH	LH	cushion	RH	LH
30cm	53	54	30cm	59	60
35cm	55	56	35cm	61	62
40cm	57	58	40cm	63	64

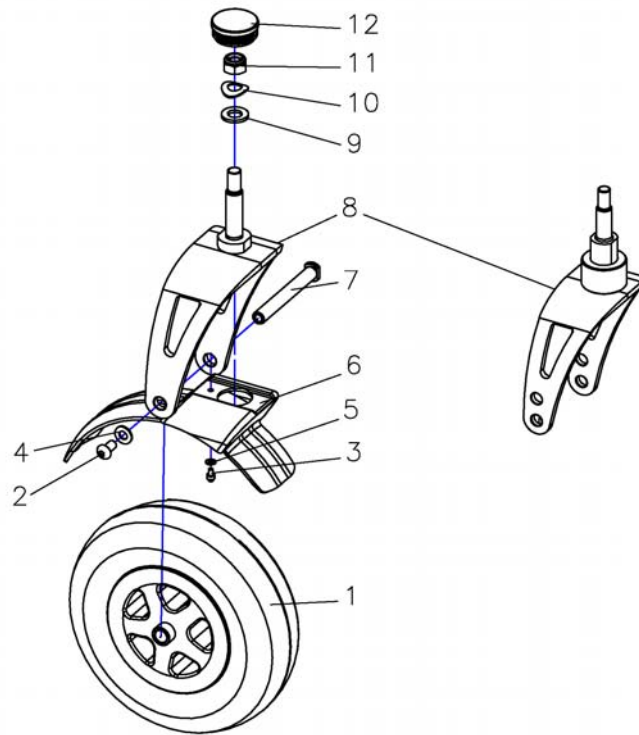
Pos.	Part number	Description	Valid from → until	Qty
1	SP1421692	Armrest, height max. 340mm, RH, Seatdepth 410mm		1
2	SP1421694	Armrest, height max. 340mm, LH, Seatdepth 410mm		1
3	SP1421693	Armrest, height max. 380mm, RH, Seatdepth 410mm		1
4	SP1421695	Armrest, height max. 380mm, LH, Seatdepth 410mm		1
5	SP1422542	Armrest, 340mm, SW 39cm, RH		1
6	SP1422543	Armrest, 340mm, SW 39cm, LH		1
7	SP1422548	Armrest, 380mm, SW 39cm, RH		1
8	SP1422549	Armrest, 380mm, SW 39cm, LH		1
9	SP1428096	Armrest, 340mm, SD 41cm, RH		1
10	SP1428097	Armrest, 340mm, SD 41cm, LH		1
11	SP1428098	Armrest, 380mm, SD 41cm, RH		1
12	SP1428099	Armrest, 380mm, SD 41cm, LH		1
13	SP1428100	Armrest, 340mm, SW 39cm, SD 41cm, RH		1
14	SP1428101	Armrest, 340mm, SW 39cm, SD 41cm, LH		1
15	SP1428102	Armrest, 380mm, SW 39cm, SD 41cm, RH		1
16	SP1428103	Armrest, 380mm, SW 39cm, SD 41cm, LH		1
17	SP1425845	Armrest cpl. 38cm RH Recaro man. Back		1
18	SP1425846	Armrest cpl. 38cm LH Recaro man. Back		1
19	5313557	Armrest Junior Seat RH		1
20	5313558	Armrest Junior Seat LH		1
21	1419657	Armrest Optimist 30cm RH		1
22	1419658	Armrest Optimist 30cm LH		1
23	1419659	Armrest Optimist 35cm RH		1
24	1419660	Armrest Optimist 35cm LH		1
25	1419661	Armrest Optimist 40cm RH		1
26	1419662	Armrest Optimist 40cm LH		1
27	1419647	Armrest Pad Optimist 30cm RH		1
28	1419648	Armrest Pad Optimist 30cm LH		1
29	5314011	Armrest Pad Optimist 35cm RH		1
30	5314010S	Armrest Pad Optimist 35cm LH		1
31	5314011L	Armrest Pad Optimist 40cm RH		1

**Armrests, cpl.**

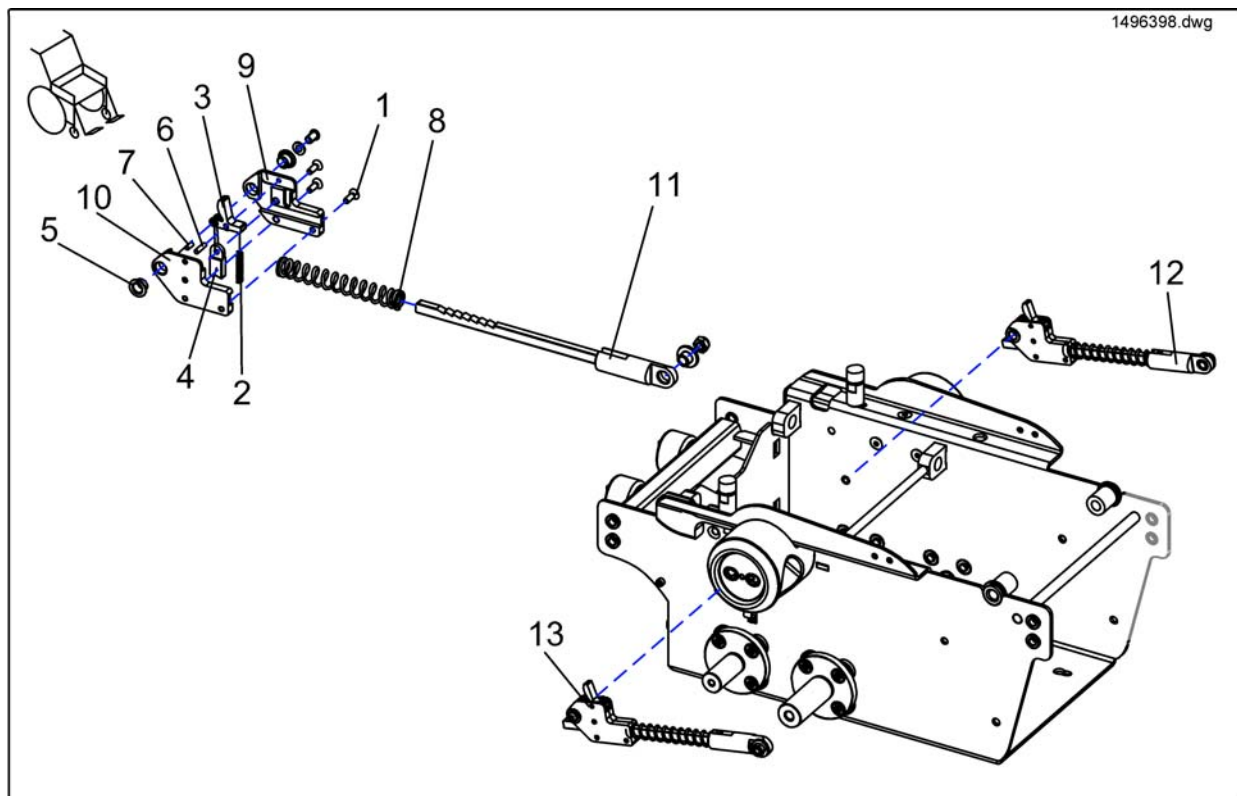
Pos.	Part number	Description	Valid from → until	Qty
32	5314010	Armrest Pad Optimist 40cm LH		1
33	SP1436521	Armrest cpl. 34cm RH		1
34	SP1436522	Armrest cpl. 34cm LH		1
35	SP1436523	Armrest cpl. 38cm RH		1
36	SP1436524	Armrest cpl. 38cm LH		1
37	SP1436525	Armrest cpl. 34cm SW39cm RH		1
38	SP1436526	Armrest cpl. 34cm SW39cm LH		1
39	SP1436527	Armrest cpl. 38cm SW39cm RH		1
40	SP1436528	Armrest cpl. 38cm SW39cm LH		1
41	SP1436529	Armrest cpl. 34cm SD 41cm RH		1
42	SP1436530	Armrest cpl. 34cm SD 41cm LH		1
43	SP1436531	Armrest cpl. 38cm SD 41cm RH		1
44	SP1436532	Armrest cpl. 38cm SD 41cm LH		1
45	SP1436533	Armrest, height max. 340mm, RH, Seatdepth 460 & 510mm		1
46	SP1436534	Armrest, height max. 380mm, RH, Seatdepth 460 & 510mm		1
47	SP1436535	Armrest, height max. 340mm, LH, Seatdepth 460 & 510mm		1
48	SP1436536	Armrest, height max. 380mm, LH, Seatdepth 460 & 510mm		1
49	SP1436537	Armrest cpl. 38cm RH Recaro		1
50	SP1436538	Armrest cpl. 38cm LH Recaro		1
51	5313557	Armrest Junior Seat RH		1
52	5313558	Armrest Junior Seat LH		1
53	1419657	Armrest Optimist 30cm RH		1
55	1419659	Armrest Optimist 35cm RH		1
56	1419660	Armrest Optimist 35cm LH		1
57	1419661	Armrest Optimist 40cm RH		1
58	1419662	Armrest Optimist 40cm LH		1
59	1419647	Armrest Pad Optimist 30cm RH		1
60	1419648	Armrest Pad Optimist 30cm LH		1
61	5314011	Armrest Pad Optimist 35cm RH		1
62	5314010S	Armrest Pad Optimist 35cm LH		1
63	5314011L	Armrest Pad Optimist 40cm RH		1
64	5314010	Armrest Pad Optimist 40cm LH		1

## Guiding wheels/Guiding fork

1487780.dwg

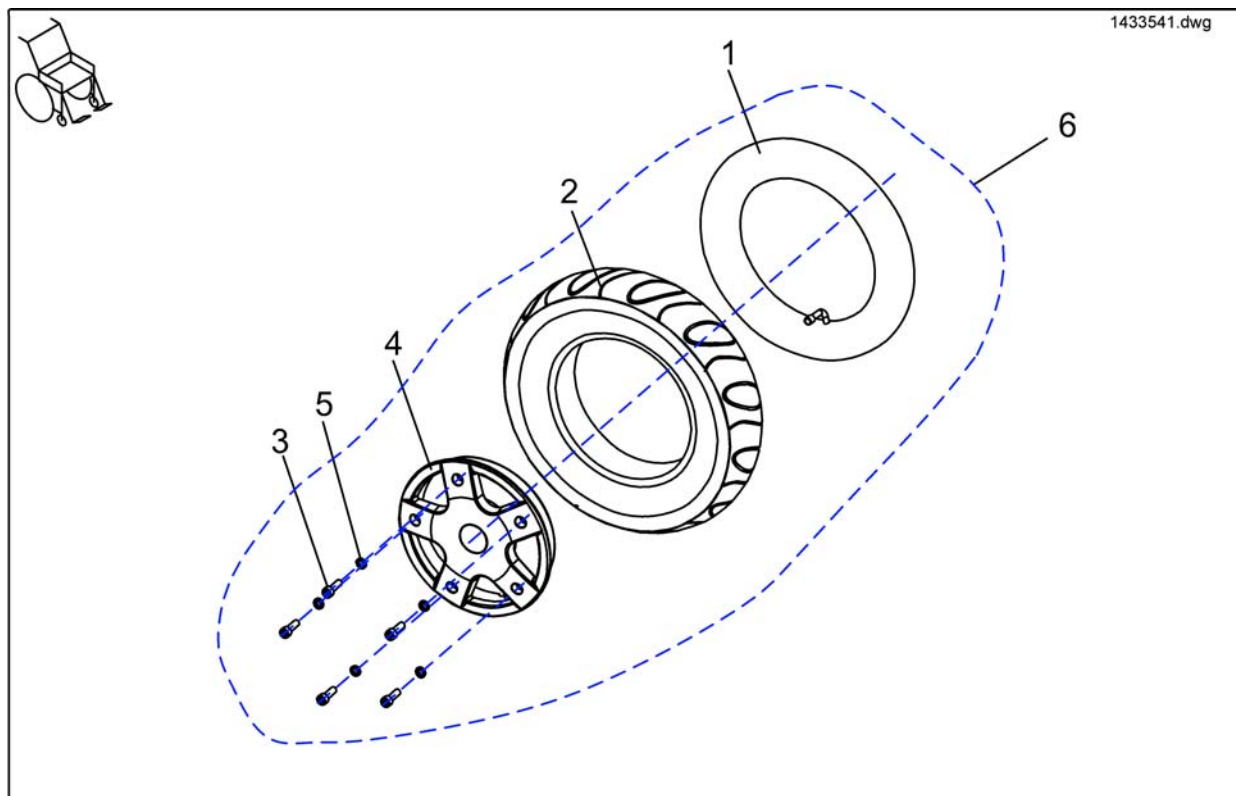


Pos.	Part number	Description	Valid from → until	Qty
-	1485534	Cylindrical head screw, M4x6 DIN 912		1
1	1483962	Wheel 2,8/2,5x4 pneumatic		1
1	SP1478768	Rad 2,8/2,5x4, puncture proof		1
1	1498144	Wheel 2.5/2.8x4 puncture protected		1
2	-	NYLOC NUT M8 DIN 985		1
4	G00106	Washer 8,4 X 17 X 1,6		1
5	-	BRAKE SHOE SET		1
6	1484008-9006	Splash guard		1
7	1487724	SCREW DIN912 M8X85 10.9 GALVANISED		1
8	1498227	Steering fork, Zephyr <i>since 13.10.2009 only available with two axledrillings.</i>		1
9	G00104	Washer Ø13 DIN 125 A		1
10	G40102	SPRING WASHER Ø24X13X1,2 PROFILE A, DIN-137		1
11	-	Nut M12x1,5 DIN985		1
12	L01043	Slider GL 42		1

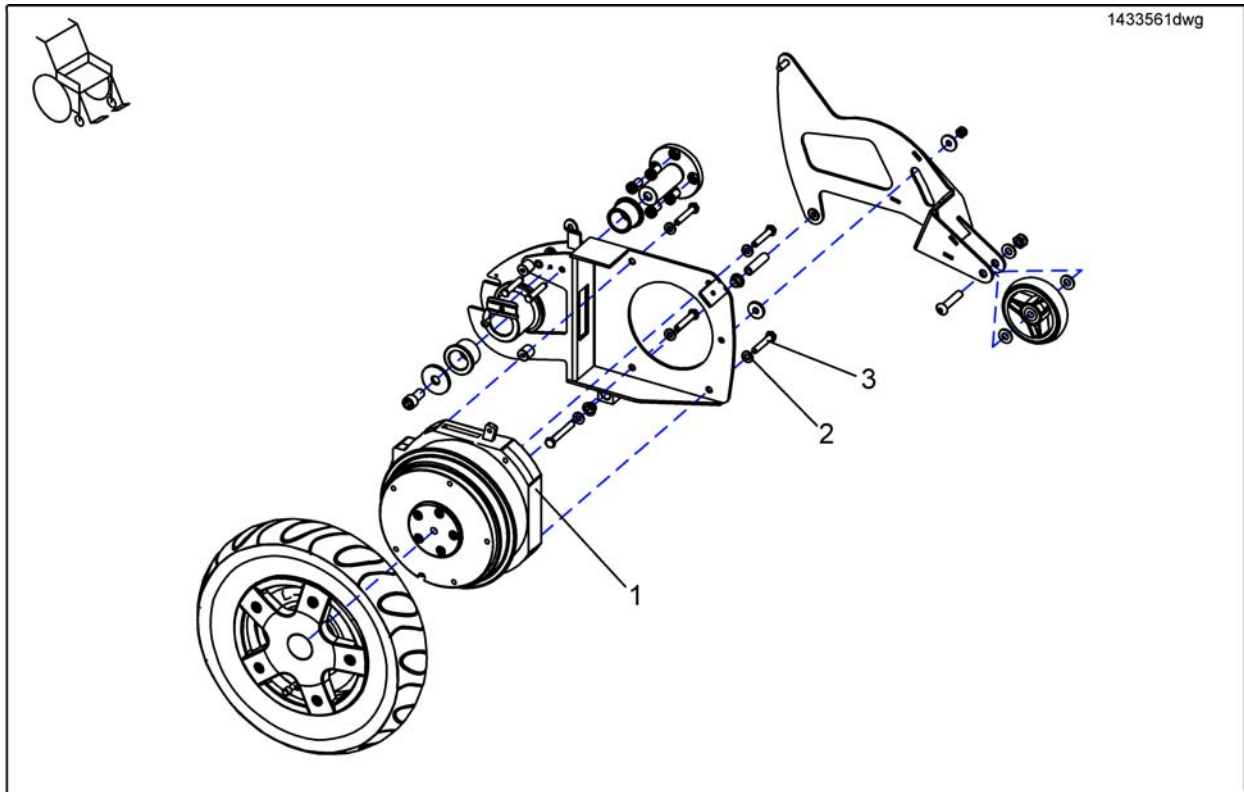
**Anti-tip mechanism**

Pos.	Part number	Description	Valid from → until	Qty
	1496119-0002	Saw, complete		1
-	1495695-0002	Actuation lever		1
-	1496378	Cylindrical pin DIN 7-4x16		1
-	1495730-0002	Locking device		1
-	1430162-0002	Pressure spring GB		1
-	1495732	Block1		1
-	1496396	Cylindrical pin DIN 7-4x9		1
-	1505241	Part not for sale		1
-	1495733	Block2		1
1	5723445	Screw M8x20 DIN 7991		3
5	N02198	BB 1009 DU Bushing		2
12	SP1496398	Anti-tip mechanism LH, cpl.		1
13	SP1495731	Anti-tip mechanism RH, cpl.		1

## Driving Wheels

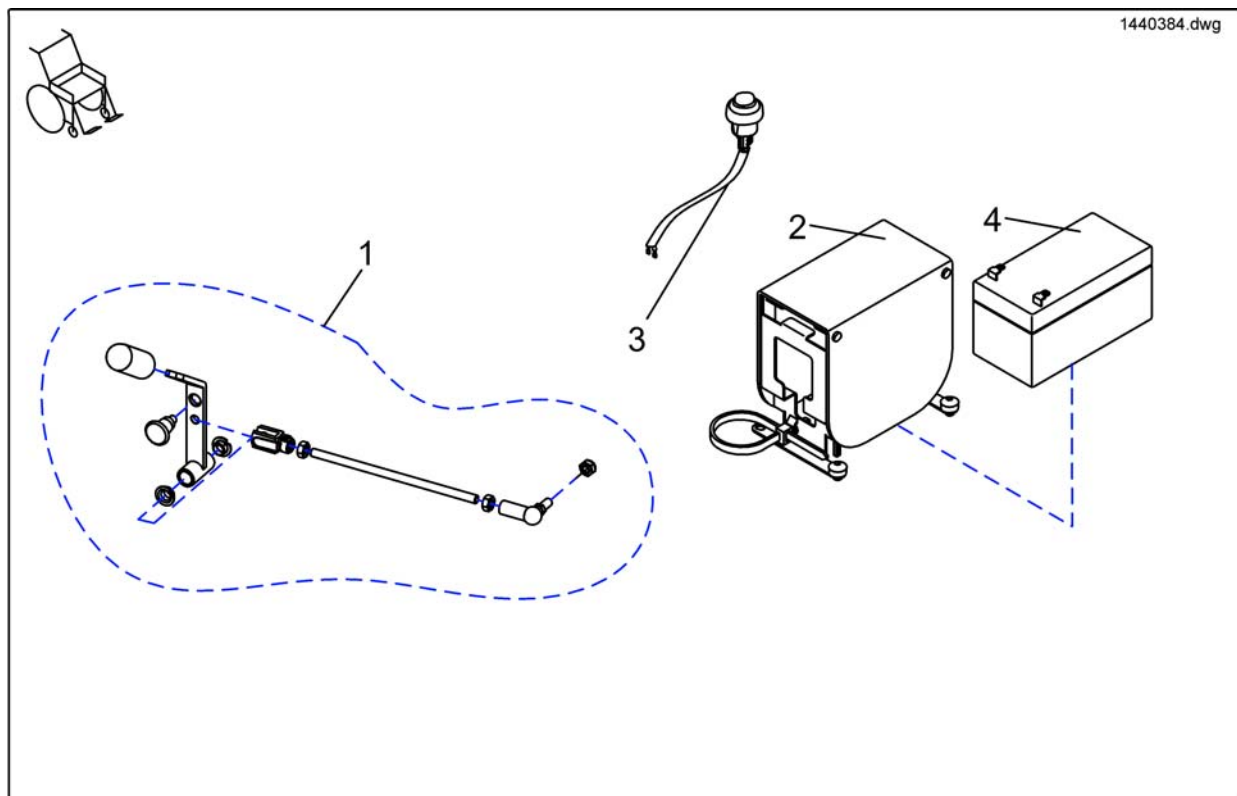


Pos.	Part number	Description	Valid from → until	Qty
1	M12016	Inner tube 3.00-8" with valve TR 87-90/90°		1
2	1430215	Tyre 3.00-8, grey, puncture proof		1
2	1415173	Tyre 3.00-8" grey		1
2	M11968	Tyre 3.00-8, grey Trelleborg		1
3	-	Schraube DIN 912-M8x25-8.8/vz		5
4	1429347-0307	Rim ring 8Z AU HI GB, silver		1
5	5829252	Nord-Lock washer d=8		5
6	SP1445027	Power Wheel		1
6	SP1433544	Power Wheel		1
6	SP1433541	Power Wheel		1
6	SP1433537	Drive wheel pneumatic, grey complete		1



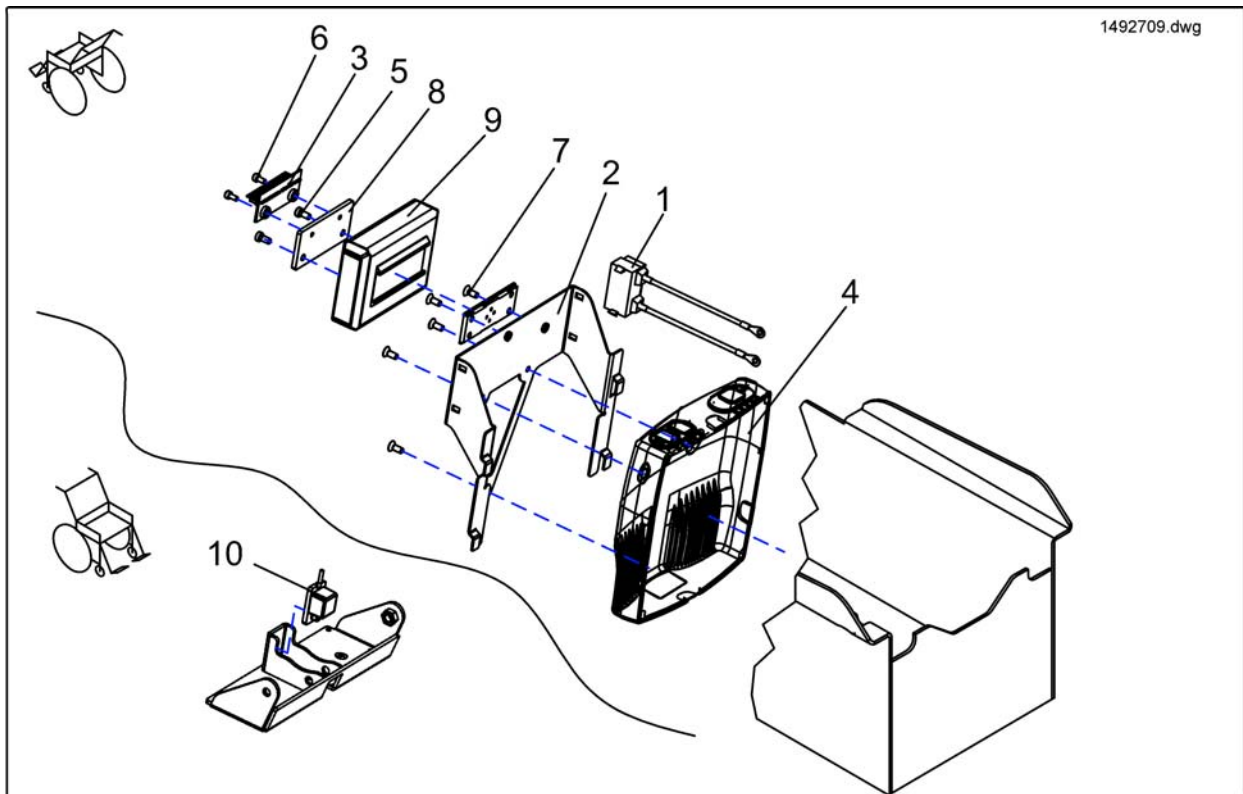
Pos.	Part number	Description	Valid from → until	Qty
-	SP1134214	Gasket Kit GM Motorplugs		1
1	SP1433563	Motor Gearless LH		1
1	SP1433564	Motor Gearless RH		1
2	-	Axle Bolt M8 X 45		4
3	5829220	Nord Lock washer		4

# Clutch



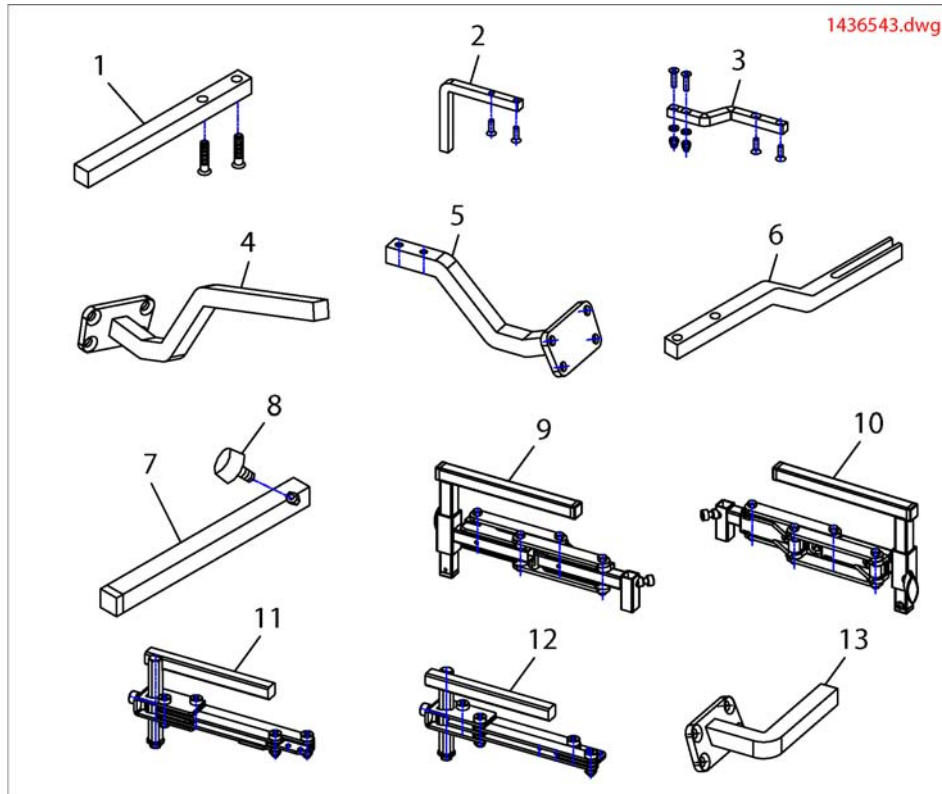
Pos.	Part number	Description	Valid from → until	Qty
2-4	SP1440344	ELECTRONICAL COUPLING FOR TRUE TRACK COMPLETE		1
1	1498272	DECOUPLING COMPLETE		1
3	1440729	MOMENTARY CONTACT FOR EL. DECOUPLING TRUE TRACK WITH CABLE		1
4	1440386	BATTERY FOR ELECTRICAL DECOUPLING (12V, 1,2AH, FIAMM-GS)		1
5	1441556-9005	HANDLE FOR ARNE JENSEN SEAT WITH ELECTRICAL DECLUTCHING TRUE TRACK		1





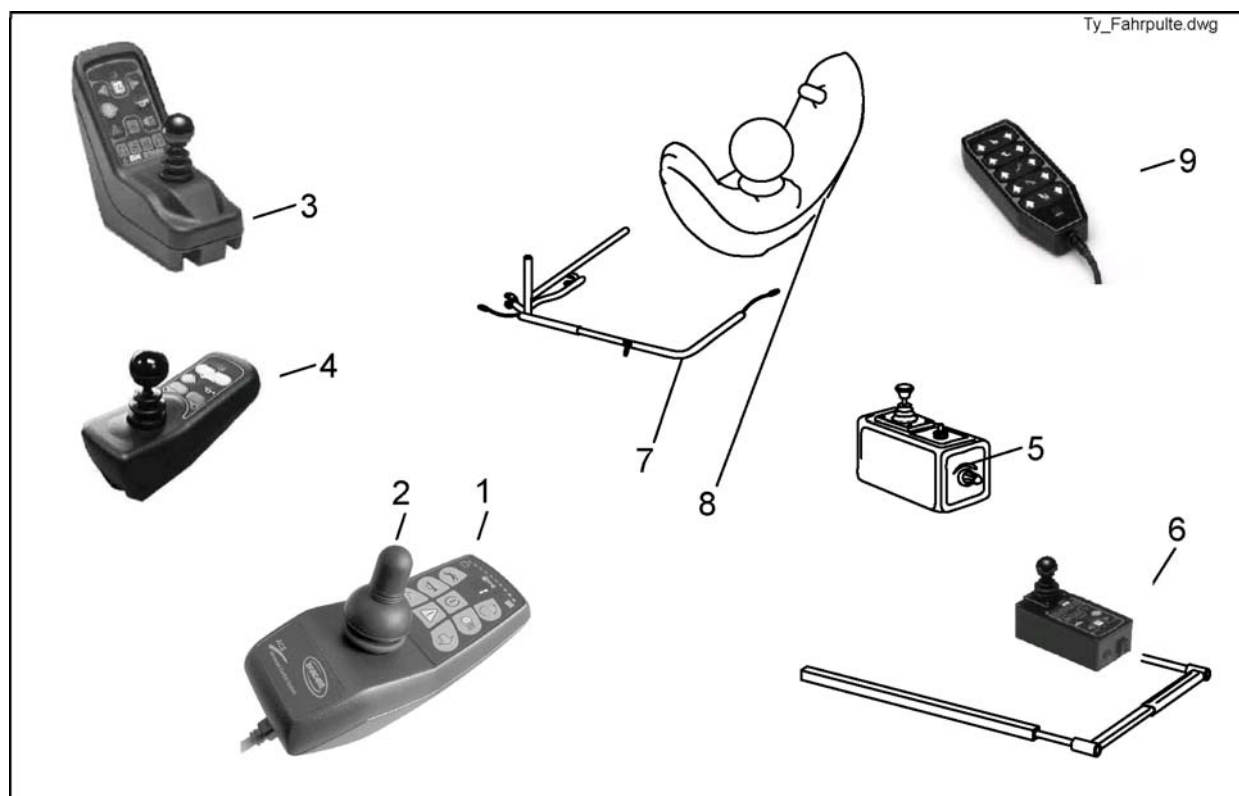
Pos.	Part number	Description	Valid from → until	Qty
-	5824313	SCREWS DIN 6912-M5x10		2
-	5723976	SCREW Schraube DIN 7991 M5x12		5
-	5723178	SCREW DIN 912 M4x8		2
4	1496444	POWERMODULE GBM 100Ah		1
1	1436212	ACS-Lighting Modul 24V		1
2	1440372-0002	GBM HOLDER, CPL:		1
3	1415004	Central Light Distributor Circuit Board ACS2 / Shark		1
4	AT.1496444	Powermodul GBM 100Ah		1
8	1498210-0003	HOLDER FOR RAER LIGHTBOARD		1
9	P10081	ACS Actuator Module (Clam)		1
10	SP1496321	Part not for sale		1

## Remote fixation, for user



Pos.	Part number	Description	Valid from → until	Qty
1	SP1436542	Joystick Box Support Std. For REM 24SD, With Screws	20040301 →	1
2	SP1436543	Joystick Box Support Swing Away REM 24SD & Shark, With Screws	20040301 →	1
3	SP1536180	Montagekit for swing-away remote		1
3	SP1498222	Installation-Kit For Control Unit Support Swing-Away Mechanism REM 24 SD		1
4	SP1504822	Remote Bracket Tube G90A Standard		1
5	SP1509071	Remote Bracket G90A swing away		1
6	SP1440493	Joystick Box Support Swing away REM 24SD Optimist, with screws		1
7	SPS183040	Remote Bracket Standard		1
8	SPL31001	Wing ScREW M6x10		1
9	SP1421796	Swing-Out Height-Adjustable Remote Holder LH		1
10	SP1421795	Swing-Out Height-Adjustable Remote Holder RH		1
11	SP1496248	Remote Bracket, Height Adjustable And Swing Away RH		1
12	SP1496249	Remote Bracket, Height Adjustable And Swing Away LH		1
13	SP1509439	Remote Bracket Attendant Control G90A RH		1
15	SP1509690	Remote Bracket G91/G91S RH, cpl.		1
16	SP1422943	CHIN CONTROL , MANUAL HORIZONTAL SWING-AWAY LH		1
16	SP1422942	CHIN CONTROL , MANUAL HORIZONTAL SWING-AWAY RH		1
17	SP1422947	MG Bracket for Chin Control for Std-/Contour-Seat		1
18	SP1422951	ASSEMBLY KIT F. CHIN CONTROL HOLDER RECARO CPL.		1

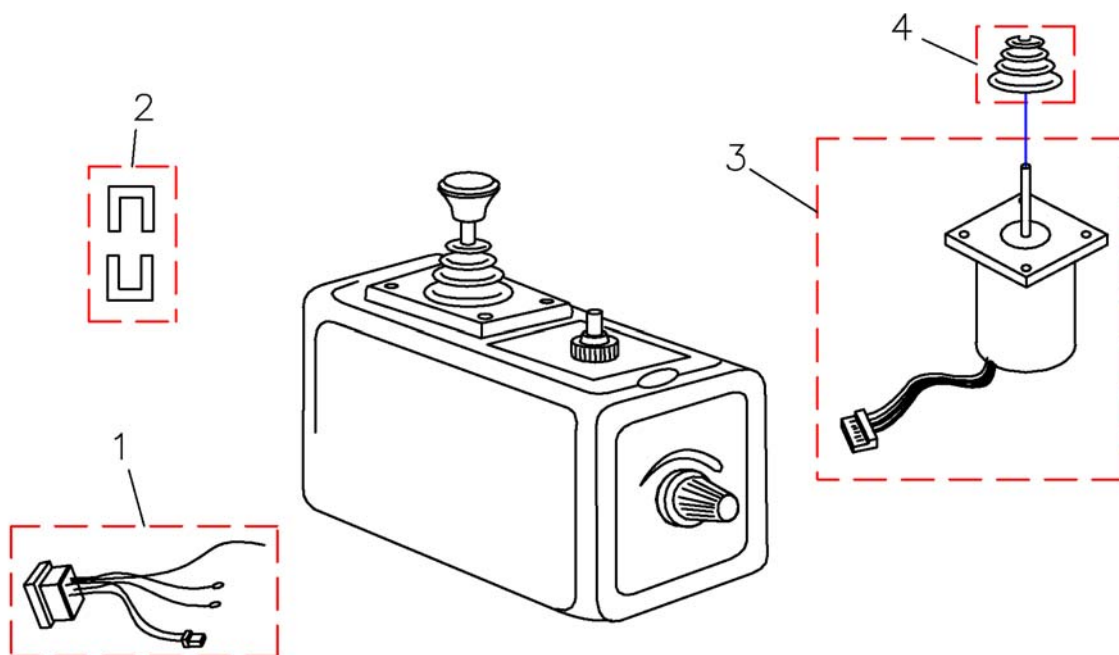
## Remote



Pos.	Part number	Description	Valid from → until	Qty
-	SP1419695	Magnet Key REM24 With Pouch cpl.		1
-	1440424	ACS BUS-Cable 2,5m		1
-	SP1422951	ASSEMBLY KIT F. CHIN CONTROL HOLDER RECARO CPL.		1
-	SP1436544	ATTENDANT JOYSTICK BOX REM 24SD		1
-	GSM63003	ACS Bus Cable L=300 mm		1
-	SP1422828	Protective Bumber F. REM 24 Remote cpl.		1
-	P10062	ACS Programming Kit (Wizard Software)		1
-	1422947	ASSEMBLY KIT F. CHIN CONTROL HOLDER ,STANDARDSEAT, CPL.		1
-	6001450	ACS-Hand Programmer, Instruciones In French, German, Spanish		1
-	SP1422827	GUARD BOW F. G80I REMOTE CPL.		1
-	GSM63016	ACS Bus-Cable 1,6M		1
1	1436541	ACS REM24SD Joystick		1
-	1449280	USB Wizard Dongle Kit, EDL-USB, cpl.		1
2	Z183229	JOYSTICK KNOB CPL.		1
3	1419205	JOYSTICK BOX REM 34 (DOLPHIN)		1
4	P10156	REMOTE REM G80 I		1
5	6001425	ACS Dual Control		1
6	SP1422800	SWING-OUT MIDDLE CONTROL RH CPL. REM41		1
6	SP1422799	SWING-OUT MIDDLE CONTROL LH CPL. REM41		1
7	SP1422946	ASSEMBLY KIT FOR SWING-OUT CHIN CONTROL, ELECTRIC VERTICAL, CPL.		1
7	SP1422945	CHIN CONTROL ELECTRIC HORIZONTAL SWING-AWAY LH CPL.		1
7	SP1422944	CHIN CONTROL ELECTRIC HORIZONTAL SWING-AWAY RH CPL.		1
7	SP1422943	CHIN CONTROL , MANUAL HORIZONTAL SWING-AWAY LH		1
7	SP1422942	CHIN CONTROL , MANUAL HORIZONTAL SWING-AWAY RH		1
8	SP1422802	ACS CHIN CONTROL RH CPL.		1
8	SP1422801	ACS CHIN CONTROL LH CPL.		1
9	P10079	G24 Actuator Control Box		1

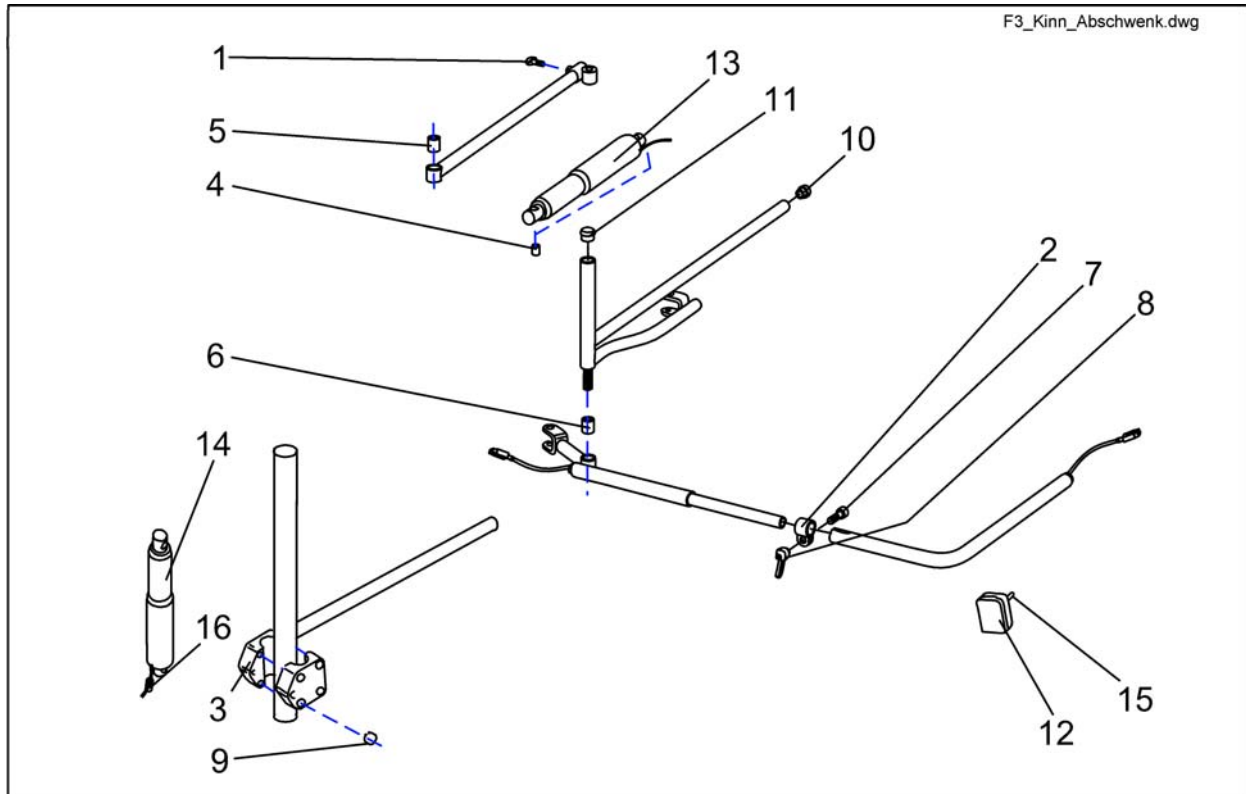
# Dual Control

6001425.dwg



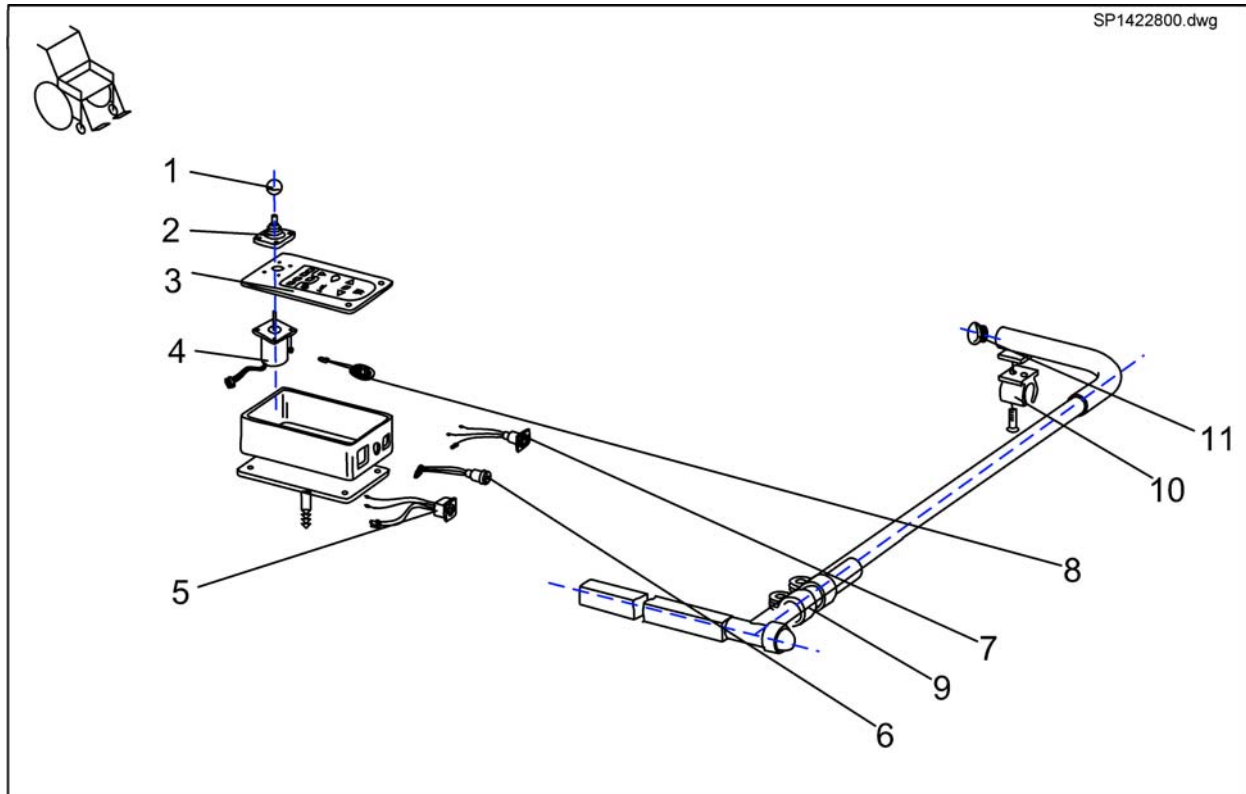
Pos.	Part number	Description	Valid from → until	Qty
-	6001425	ACS Dual Control		1
1	P41105	Bus Cable Socket		1
2	GME61927	Fixing Clamp For ACS Bus Connector		1
3	P10304	ACS Joystick With Connecting Cable		1
4	Z183001A	Rubber Gaiter For ACS Remote		1

# Chin Control Assembly Kit

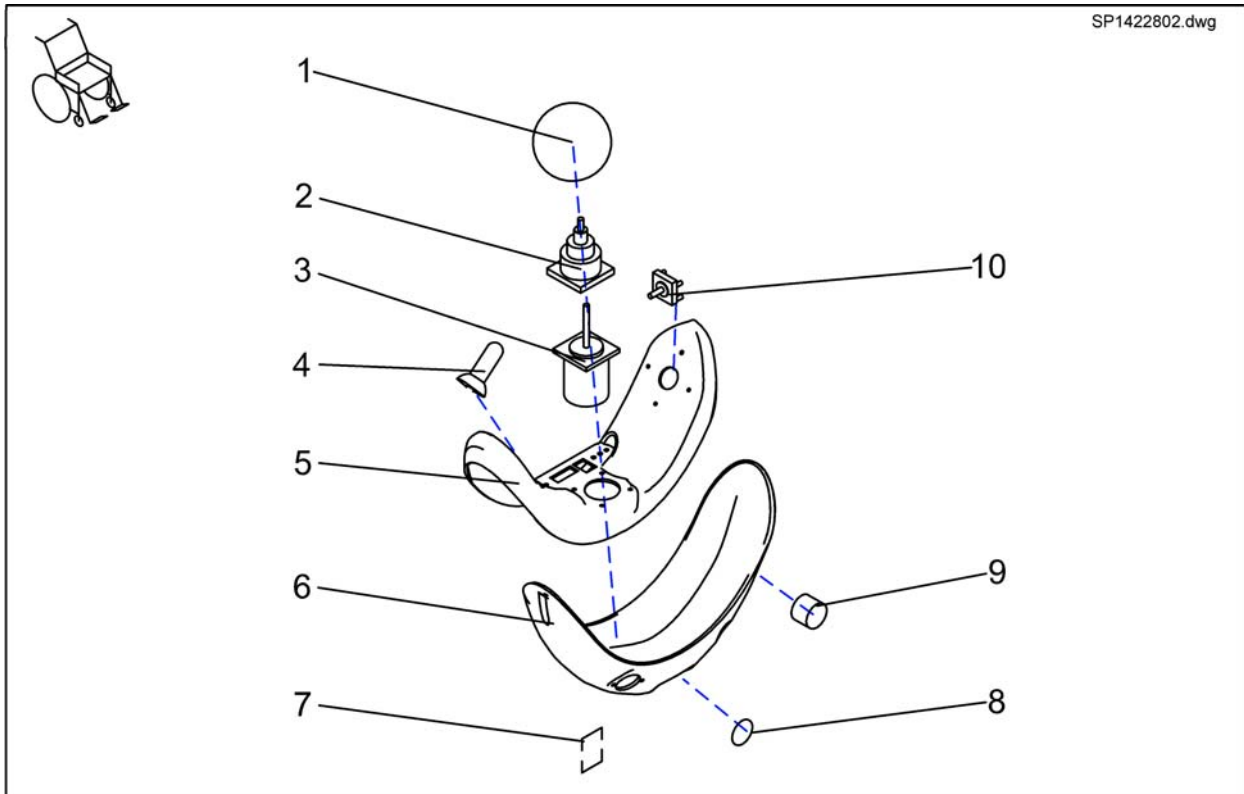


Pos.	Part number	Description	Valid from → until	Qty
	Z183011A	TOGGLE SWITCH EXTENSION		1
	L01041	Cover Cap For Wheel Invacare P452E		1
	-	Sks Nut Cap M12		1
	P12194	POLYSWITCH FUSE RXE 135		1
1	-	Handknob		1
-	SP1422944	CHIN CONTROL ELECTRIC HORIZONTAL SWING-AWAY RH CPL.		1
2	5006720	Klemmschelle F. Dm 22 mm		1
-	SP1422945	CHIN CONTROL ELECTRIC HORIZONTAL SWING-AWAY LH CPL.		1
3	Z12009A	CLAMP		1
4	4000665-0002	SPACER BUSH 10X1X22.5		1
5	A17012A	BUSH RD. 18 X 22		1
6	Z131009A	Bush Rd. 18 X 3 X 22		1
7	E30101	CUP HEAD NIBBED BOLT M8 X 25		1
8	L32901	LEVER M8, BLACK		1
9	K22103	SECURING RING OUTER A10		1
10	L01049	TUBE END PLUG SL 18		1
11	-	Tube End Plug SI 22		1
12	L90994	MULTIBOX MB P0655035, SMALL		1
13	P00082	ACTUATOR LA 22.5E-75-24 INCL. CABLE AND SWITCH		1
14	P00081	ACTUATOR LA 22.5E-100-24 WITH STOP-SWITCH		1
15	Z183011A	TOGGLE SWITCH EXTENSION		1
15	P30109	TOGGLE SWITCH SINGLE POLE		1
16	P09596	FERRITE SLEEVE C=8 D=1		1

# Central Steering

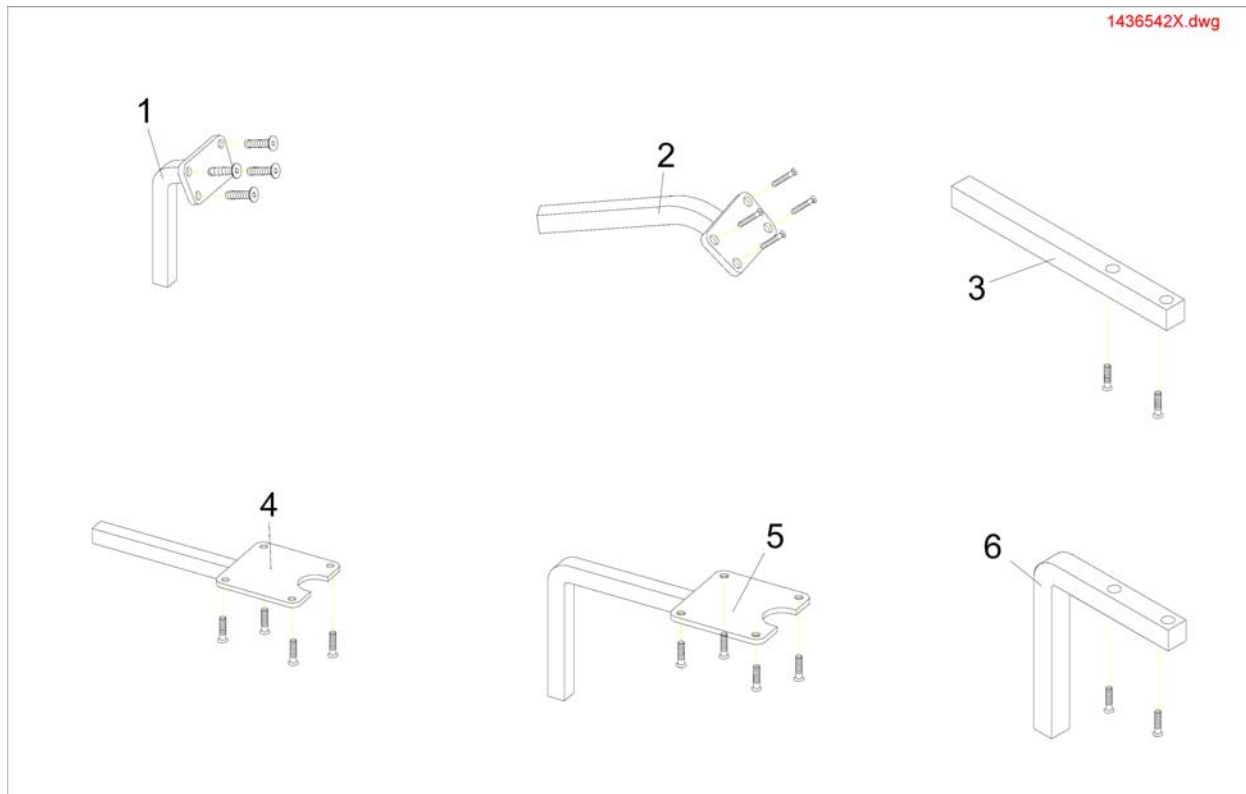


Pos.	Part number	Description	Valid from → until	Qty
-	SP1527930	DX ACS Tray Remote DX-REM41		1
1	L36999	KNOB FOR JOYSTICK 32 MM, HOLE 5.8 MM		1
2	Z183001A	Rubber Gaiter For ACS Remote		1
3	P30907	FOIL KEYPAD FOR TABLE REMOTE		1
4	GSM55120	ACS-JOYSTICK WITH 180MM CABLE		1
5	P41108	ACS-BUS CABLE SOCKET		1
6	P41107	PROGRAMMER SOCKET		1
7	P41106	CHARGER SOCKET		1
8	P30493	HORN		1
9	5006720	Klemmschelle F. Dm 22 mm		1
10	Z16001A	Clamp		1
11	-	Tube End Plug SI 22		1
12	SP1523598	Holder Central Steering LH		1
12	SP1523597	Holder Central Steering RH		1



Pos.	Part number	Description	Valid from → until	Qty
	Z183048	HORN CLAMP		1
	GME61927	Fixing Clamp For ACS Bus Connector		1
	P30499	HORN F/YMB 24 (DIGISOUND)		1
	P09594	FERRITE SLEEVE C=6.4,D=2 TDK ZCAT 1325-0530A		1
	P10475	STICKER SET (ACS CHIN CONTROL)		1
1	Z183265	FOAM CONTROL KNOB CPL.		1
2	Z183001A	Rubber Gaiter For ACS Remote		1
3	P10304	ACS Joystick With Connecting Cable		1
4	Z183229	JOYSTICK KNOB CPL.		1
5	F383019	UPPER HOUSING FOR CHIN CONTROL		1
6	Z183242	LOWER HOUSING FOR CHIN CONTROL LH		1
6	Z183241	LOWER HOUSING FOR CHIN CONTROL RH		1
7	P41106	CHARGER SOCKET		1
8	T95099	O-RING 14-3 MM		1
9	P41108	ACS-BUS CABLE SOCKET		1
9	P41106	CHARGER SOCKET		1
9	P41104	PROGRAMMER SOCKET		1
10	Z183244	ACS-CHIN CONTROL JOYSTICK SWITCH RH		1
10	Z183243	ACS-CHIN CONTROL JOYSTICK SWITCH LH		1

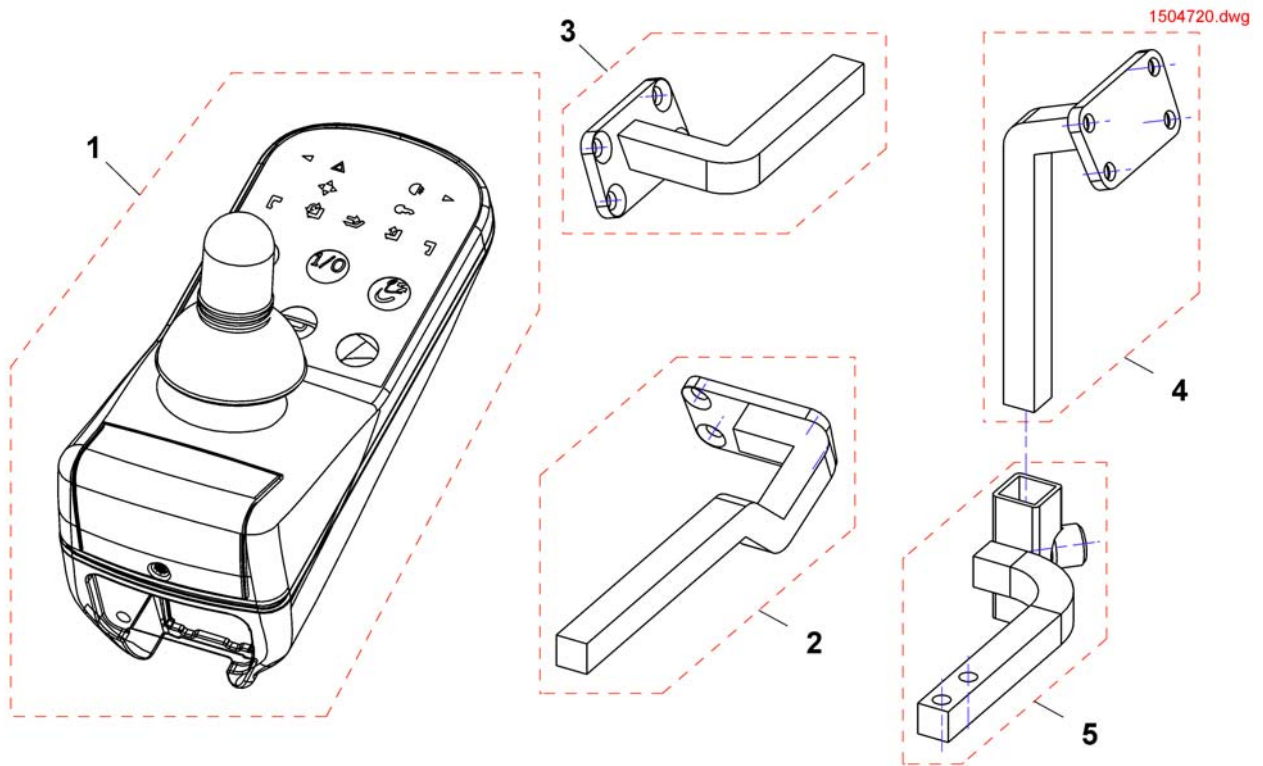
# Remote Bracket



Pos.	Part number	Description	Valid from → until	Qty
1	SP1422812	REMOTE HOLDER SWING AWAY G80I CPL. WITH SCREWS		1
2	SPZ183302	REMOTE G80 I HOLDER CPL.		1
3	SP1436542	Joystick Box Support Std. For REM 24SD, With Screws	20040301 →	1
4	SP1434921	REMOTE HOLDER REM 34		1
5	SP1434922	SWING-OUT REM34 REMOTE HOLDER		1
6	SP1436543	Joystick Box Support Swing Away REM 24SD & Shark, With Screws	20040301 →	1

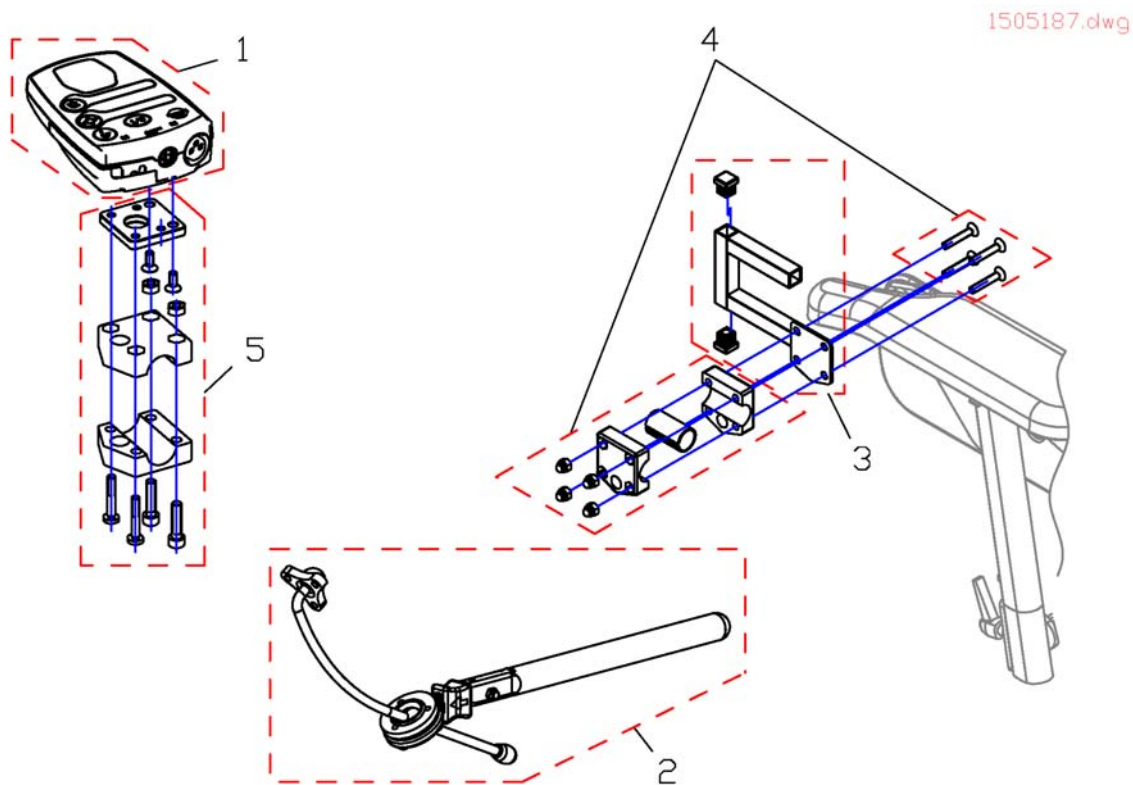


## G90 & Holder



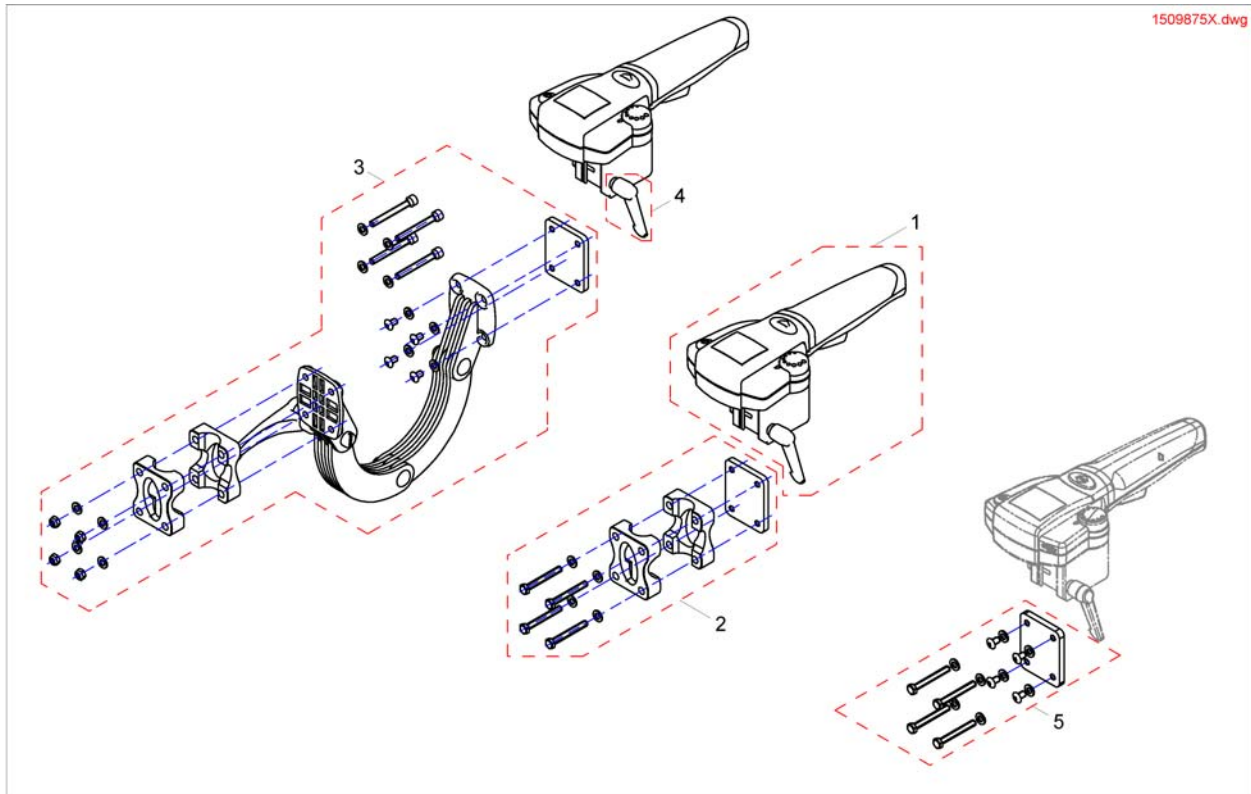
Pos.	Part number	Description	Valid from → until	Qty
1	1504720	Remote G90A		1
2	SP1518449	Holder G90A, Standard, RH		1
2	SP1518450	Holder G90A, Standard, LH		1
3	SP1509439	Remote Bracket Attendant Control G90A RH		1
3	SP1509435	Remote Bracket Attendant Control G90A LH		0
4	SP1505054	Remoteholder		1
5	SP1517289	Guide		1

## G91 & Holder



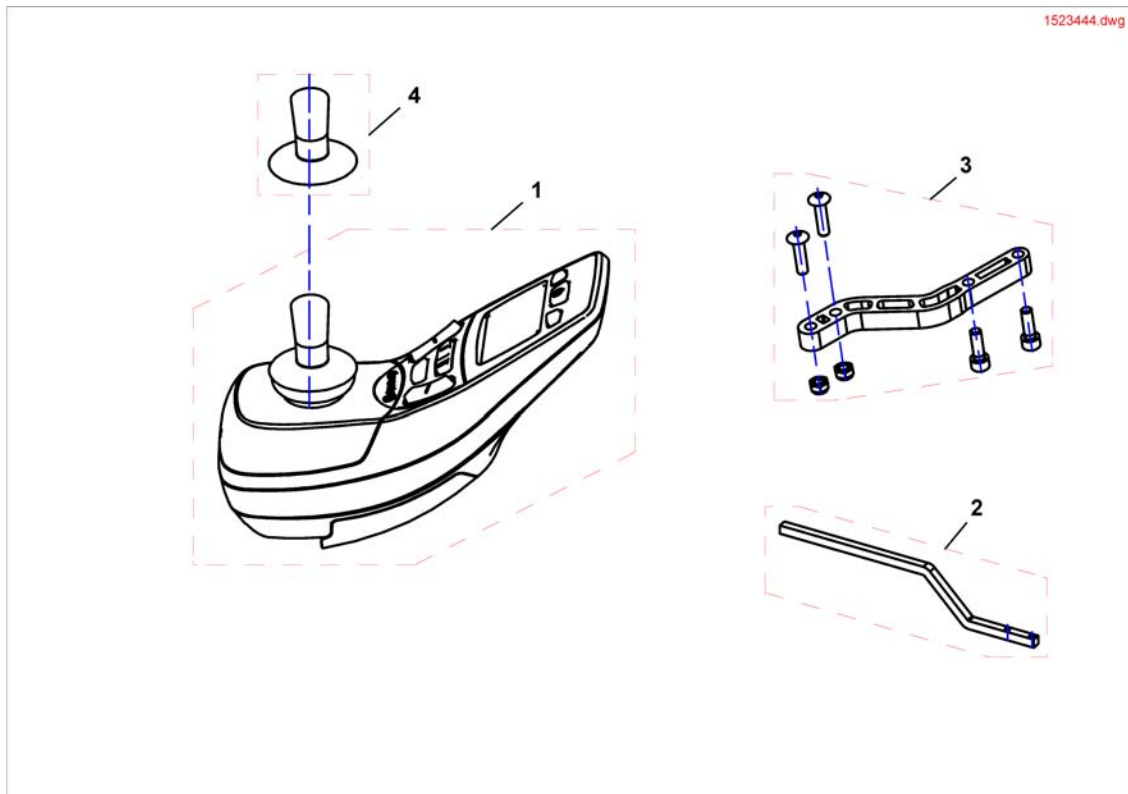
Pos.	Part number	Description	Valid from → until	Qty
-	GSM63016	ACS Bus-Cable 1,6M		1
1	1505187	Remote Control G91S		1
2	SP1527504	Swan Neck Remote Bracket with Adapter Plate		1
3	SP1509711	Adapter G91 RH		1
3	SP1509716	Adapter G91 LH		1
4	SP1527503	Gripper Clamp cpl.		1
5	SP1528271	Holder for Backresttube		1

## IDC Dual Control



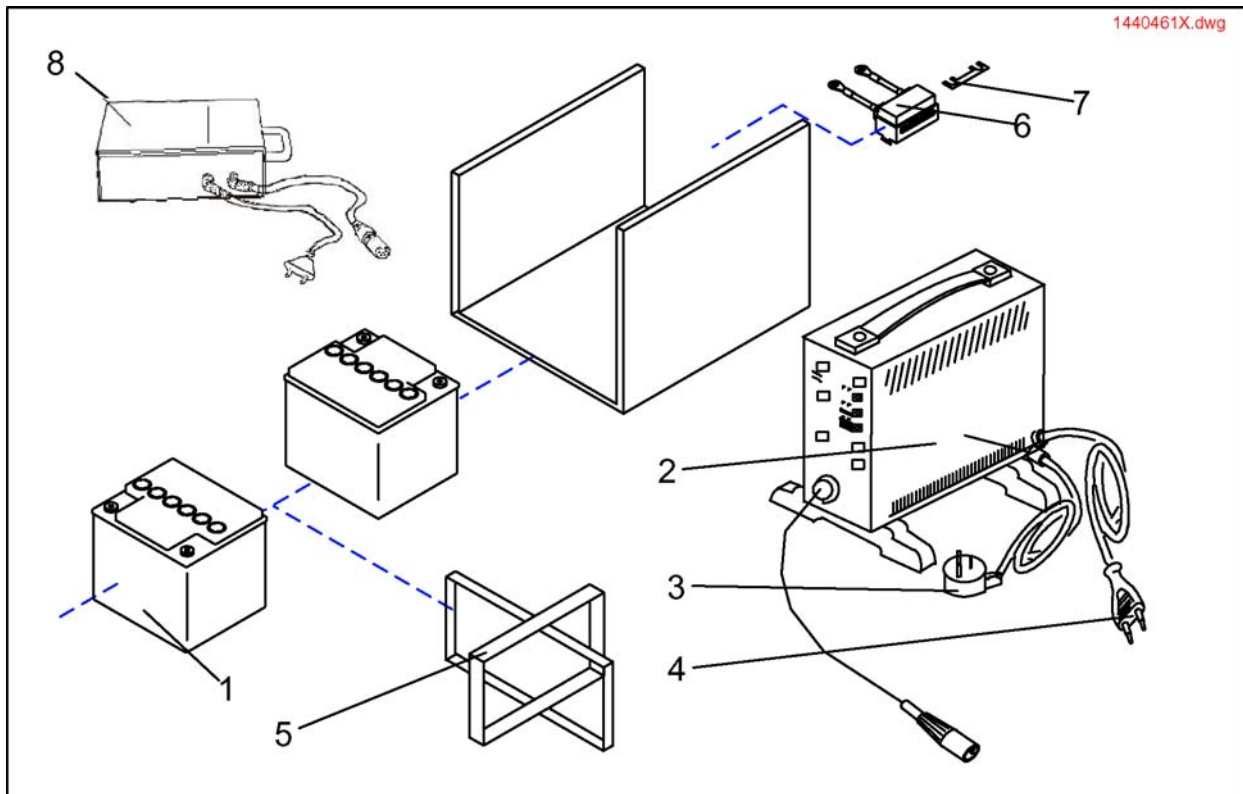
Pos.	Part number	Description	Valid from → until	Qty
1	SP1509875	Intuitiv Dual Control <i>For chairs build befor 01/02/10 please also order SP1537148</i>		1
2	SP1522310	Fixed Bracket		1
3	SP1521488	Adjustable Bracket		1
4	SP1510135	Clamp Lever M5x10		1
5	SP1537148	Supportplate IDC for chairs before 01.02.10		1

## Remote REM550 & Holder



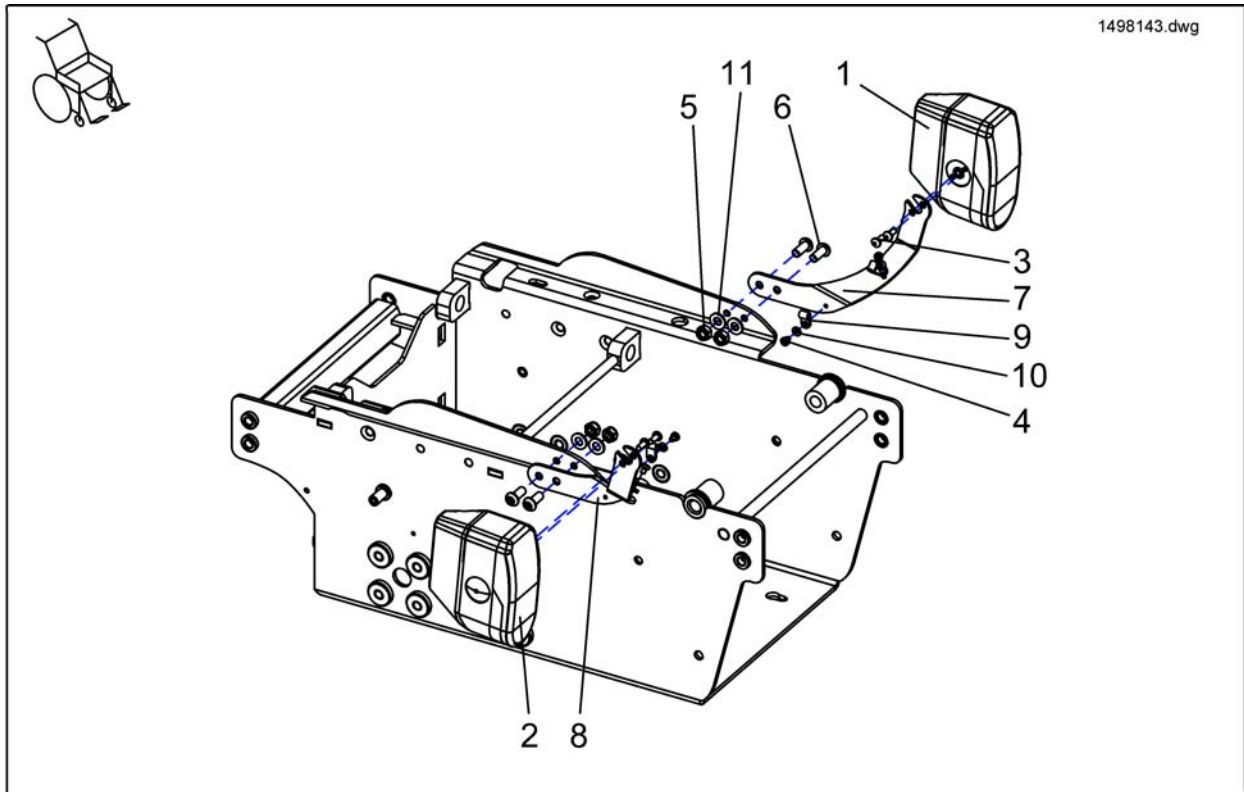
Pos.	Part number	Description	Valid from → until	Qty
1	SP1523444	Remote REM550		1
2	1440440-9005	JOYSTICK BOX SUPPORT SHARK, WITHOUT SCREWS		1
3	SP1498222	Installation-Kit For Control Unit Support Swing-Away Mechanism REM 24 SD		1
4	SP1535082	Joystickknob, cpl.		1

# Cable & Charger



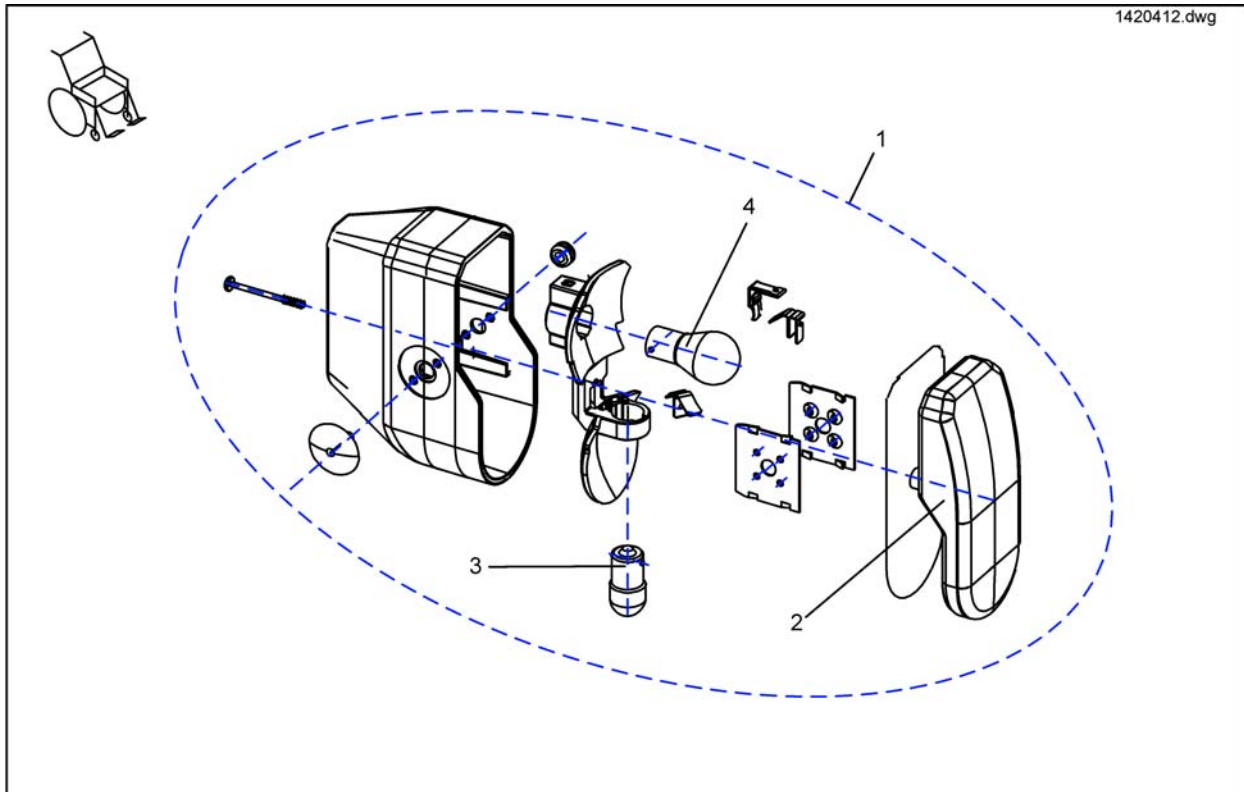
Pos.	Part number	Description	Valid from → until	Qty
1	SP1440461	Batterysæt 60 AH compl.		1
1	SP1440462	Battery prepared (without Batterys)		1
2	SPP51981	Gel Battery Charger Unit		1
2	SP1423696	Charger 24V/8A With Continental Mains Cable, cpl.		1
2	SP1423697	Charger 24V/8A With Uk Mains Cable, cpl.		1
3	P21080	UK 3 Pin Mains Lead		1
4	P21079	Charger Power Cable (Shockproof Plug)		1
5	1440403	Battery Strap		1
6	1436212	ACS-Lighting Modul 24V		1
7	1432561	Strip Fuse Holder with 80A Fuse		1
8	5813987	Battery Charger 8A Gi Popular (only Sweden)		1

# Front Light



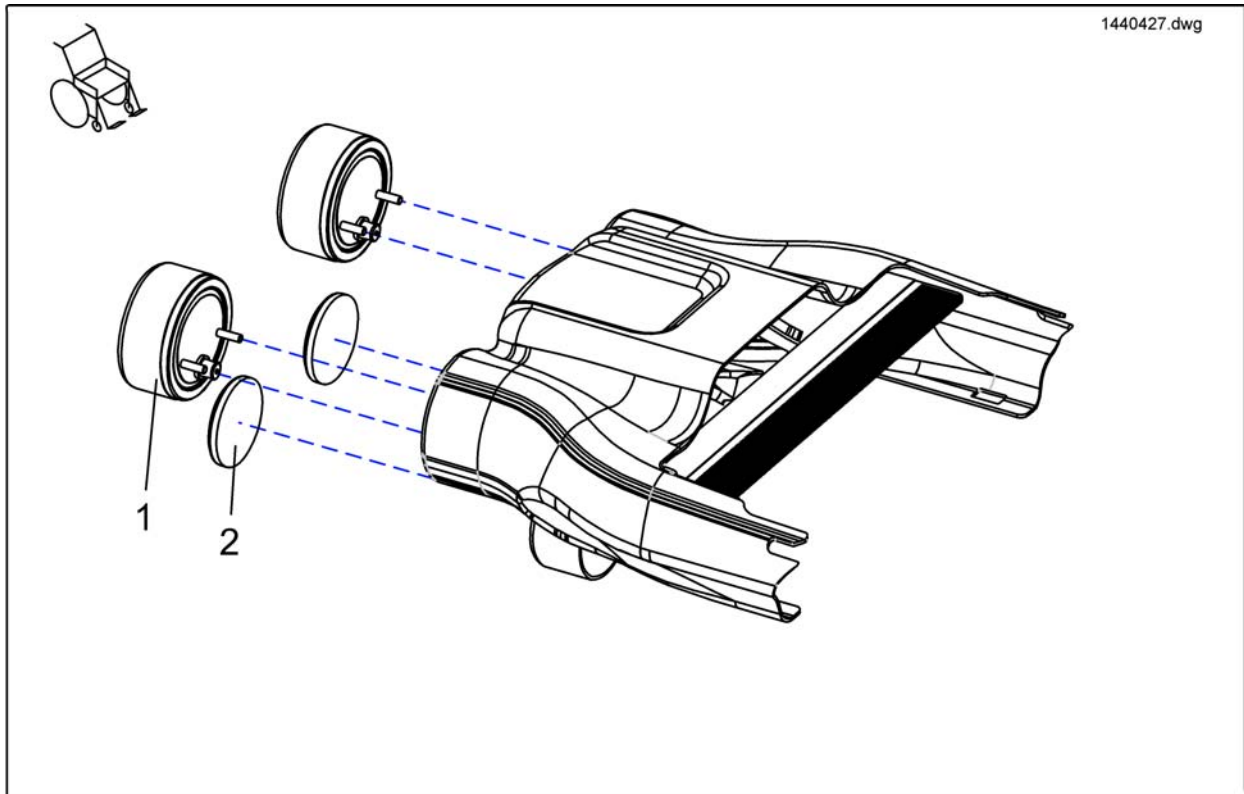
Pos.	Part number	Description	Valid from → until	Qty
3	D36112	Self-Tapping Cross Head Screw 4,8 X 16		4
4	1497415	Screw DIN 7985 M4x6		4
5	-	Nut, M8 DIN 985		4
6	-	SCREW M8 X 20		4
7	1493974-9005	Lamp holder, left		4
8	1493971-9005	Lamp holder, right		1
9	1492109	Strain relief clip CC, L3/16 black 4.4mm		4
10	-	BRAKE SHOE SET		4
11	G00107	Scheibe 8, 4X17X1, 6 DIN 125		4

# Front Light



Pos.	Part number	Description	Valid from → until	Qty
1	1420412	HEADLIGHT 24V, RIGHT, WITHOUT HOLDER		1
1	1420413	HEADLIGHT 24V, LEFT, WITHOUT HOLDER		1
2	1433737	Glass For Front Light		1
3	P31108	Light Bulb 24V/10W		1
4	1419271	Light Bulb 24V/21W Yellow, turn indicator		1

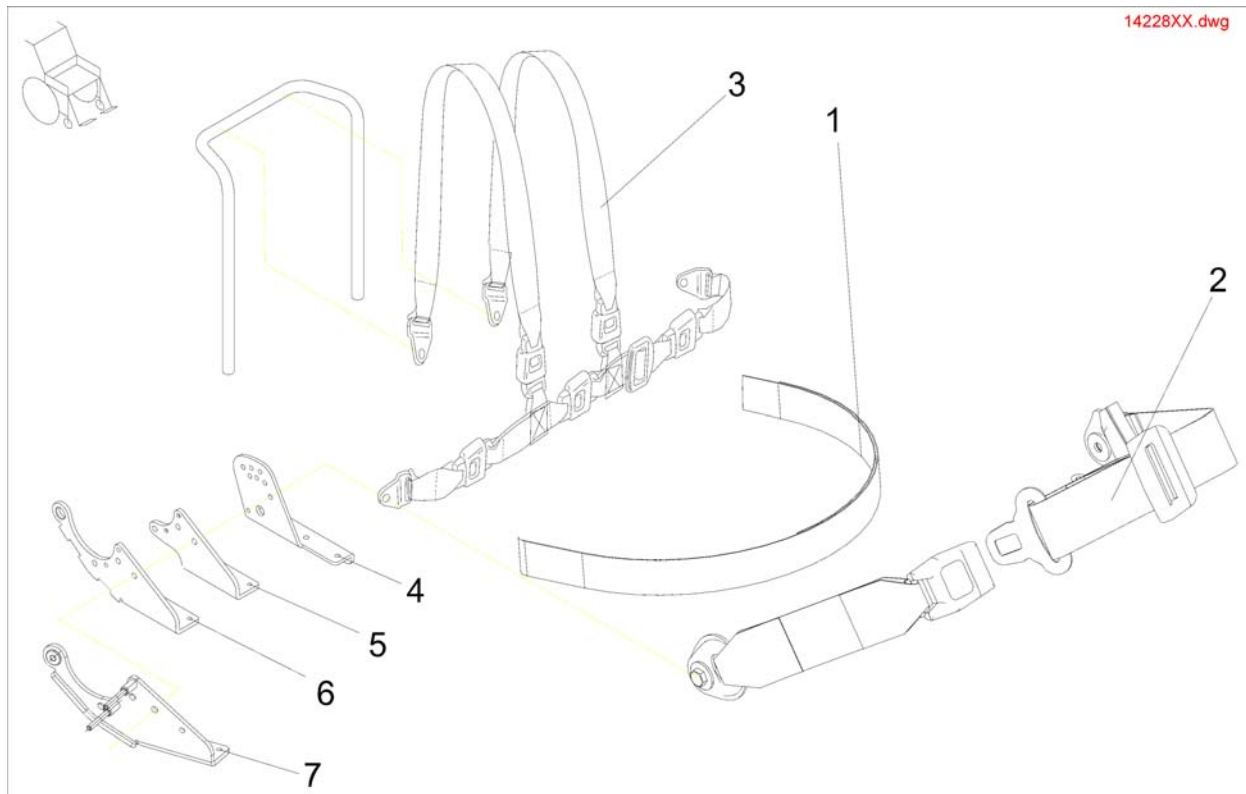
## Rear Light



Pos.	Part number	Description	Valid from → until	Qty
1	1440427	Rearlight 24V		2
2	1419274	Reflector Red, Round		2

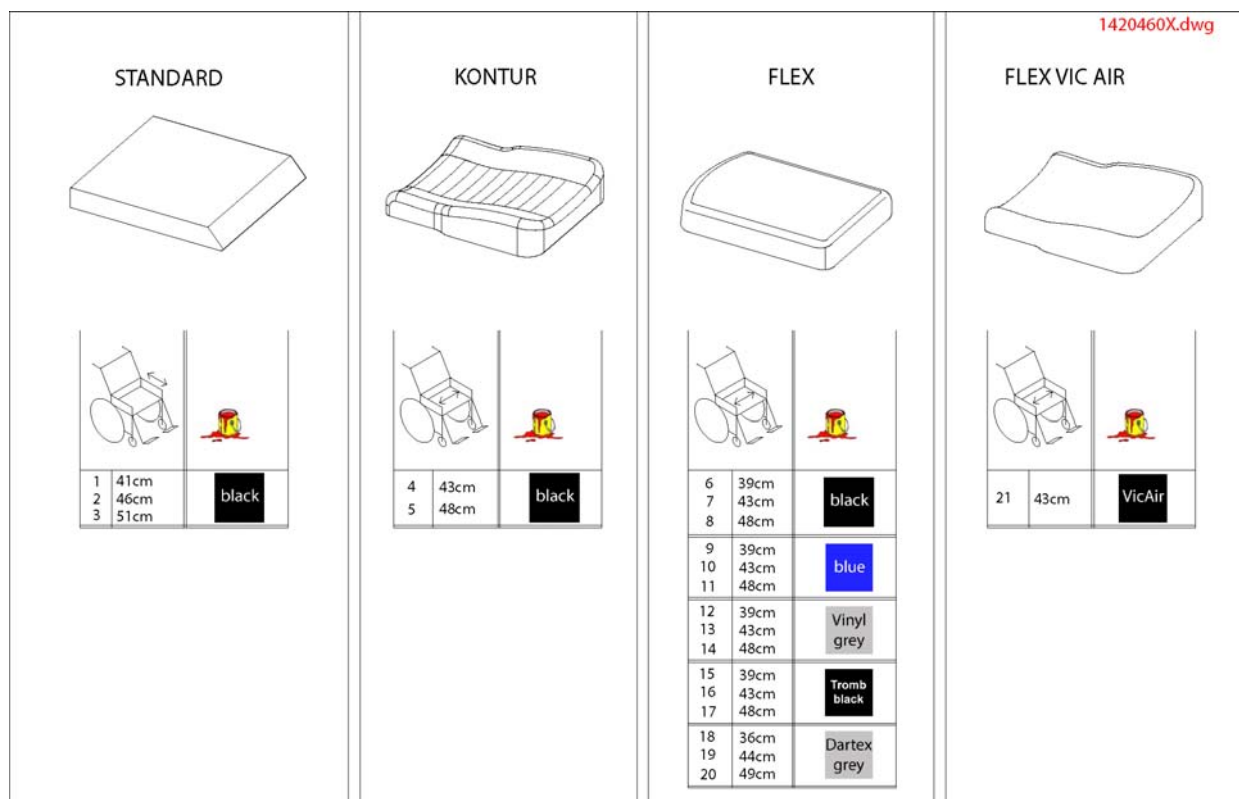


## Fixation Belts



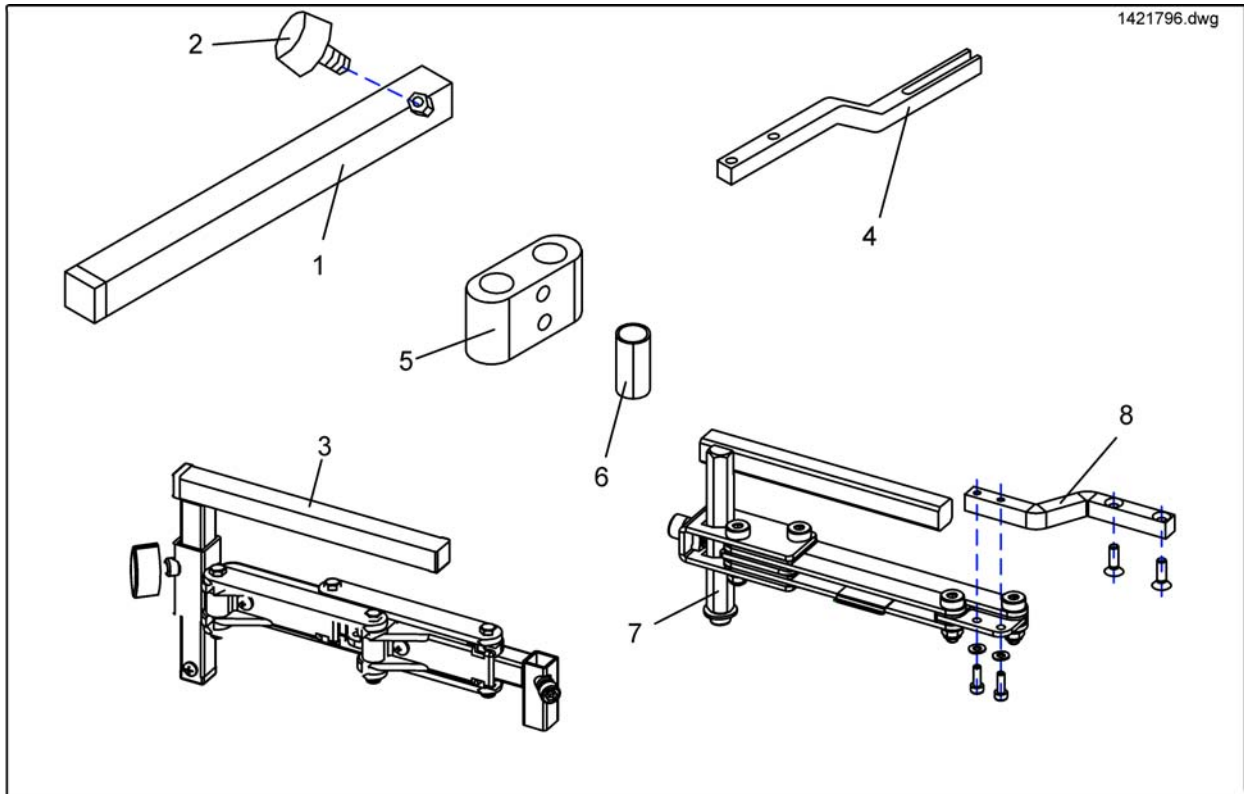
Pos.	Part number	Description	Valid from → until	Qty
1	1422870	POSITIONING STRAP WITH VELCRO CPL. FOR FLEX/CONTOUR-SEAT		1
1	1422869	Positioning Strap With Velcro cpl. for Junior-Seat		1
1	F367002	SAFETY BELT WITH VELCRO FASTNER F. RECARO		1
2	1422846	POSITIONING STRAP WITH SNAP CPL. FOR FLEX/CONTOUR		1
2	1422845	Positioning Strap With Snap cpl. For Standard-Seat		1
2	Z163001A	SAFETY BELT WITH SNAP LOCK AND VELCRO FASTNER FOR RECARO		1
3	SP1422848	Holding Strap For Standard And Contour Seat H-Form cpl.		1
3	SP1422847	HOLDING STRAP FOR FLEX SEAT H-FORM CPL.		1
4	1419994-9005	Backrest Adjustment RH		1
4	1419997-9005	Backrest Adjustment LH		1
5	1420476-9005	BRACE BRACKET MANUAL RH		1
5	1420477-9005	BRACE BRACKET MANUAL/ELECTRICAL LH		1
6	1429564-9005	FITTING ATTACHMENT LH F. SLIDING ARMREST		1
6	1429563-9005	FITTING ATTACHMENT RH F. SLIDING ARMREST		1
7	1429565-9005	FITTING ATTACHMENT RH F. ELECTRICAL ADJUSTMENT		1
7	1429564-9005	FITTING ATTACHMENT LH F. SLIDING ARMREST		1

# Seat Cushions Adults



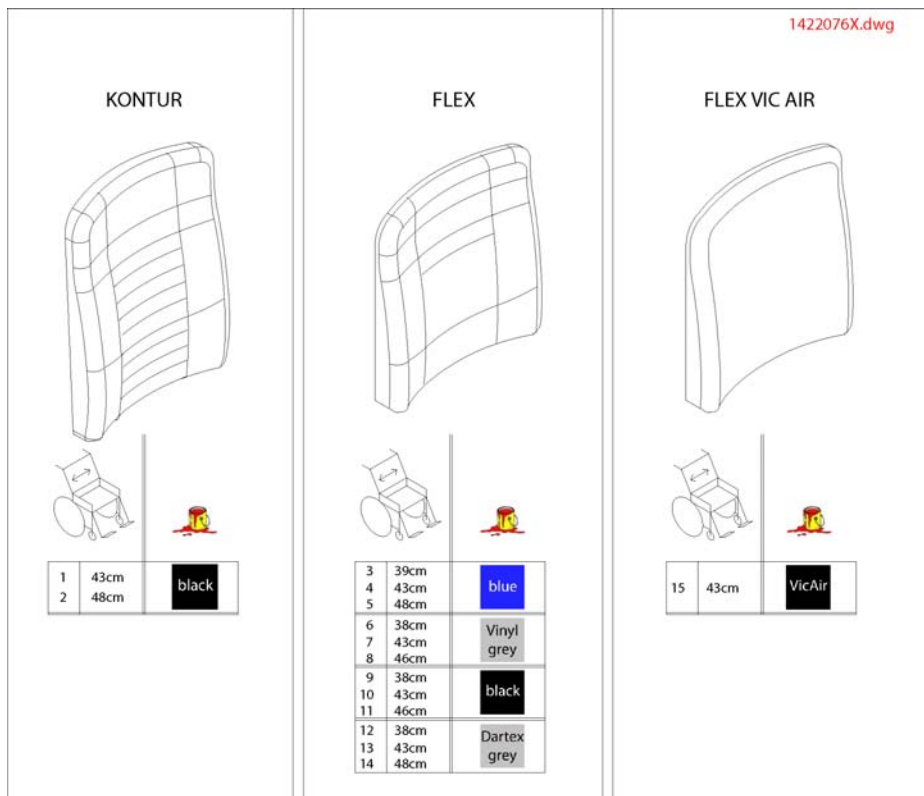
Pos.	Part number	Description	Valid from → until	Qty
1	1420460	Cushion Standard SD 41cm		1
2	1420461	Cushion Standard SD 46cm		1
3	1420462	Cushion Standard SD 51cm		1
4	1422072	Cushion Contour SW43cm, black		1
5	1422074	Cushion Contour SW48cm, black		1
6	1436561	Cushion Flex SW39cm, black		1
7	1436562	Cushion Flex SW43cm, black		1
8	1436563	Cushion Flex SW48cm, black		1
9	1422529	Cushion Flex SW39cm, blue		1
10	1422530	Cushion Flex SW43cm, blue		1
11	1422532	Cushion Flex SW48cm, blue		1
12	5314542	Seat Cushion SW 39cm, grey vinyl		1
13	1422939	Cushion Flex SW43cm, grey vinyl		1
14	1422940	Cushion Flex SW48cm, grey vinyl		1
15	5252582-TR98	Seat cushion TROMB ZON 98 SW36		1
16	5252583-TR98	Seat cushion TROMB ZON 98 SW41		1
17	5252584-TR98	Seat cushion TROMB ZON 98 SW46		1
18	5252582-TR23	SEAT CUSHION SB 39; DARTEX		1
19	1428090	Cushion Flex SW43cm, grey Dartex (Bris)		1
20	1428091	Cushion Flex SW48cm, grey Dartex (Bris)		1
21	1422531	Cushion Flex SW43cm, VIC AIR		1
22	5313953	Seat Cushion positive, SW 45cm, black		1
23	5313958	Seat Cushion negative, SW 45cm, black		1
24	5313962	Seat Cushion paraplegic, SW 45cm, black		1
25	5314038	Seat Cushion positive, SW 50cm, black		1
26	5314041	Seat Cushion negative, SW 50cm, black		1
27	5314044	Seat Cushion paraplegic, SW 50cm, black		1

## Remote fixation, standard/ swing away



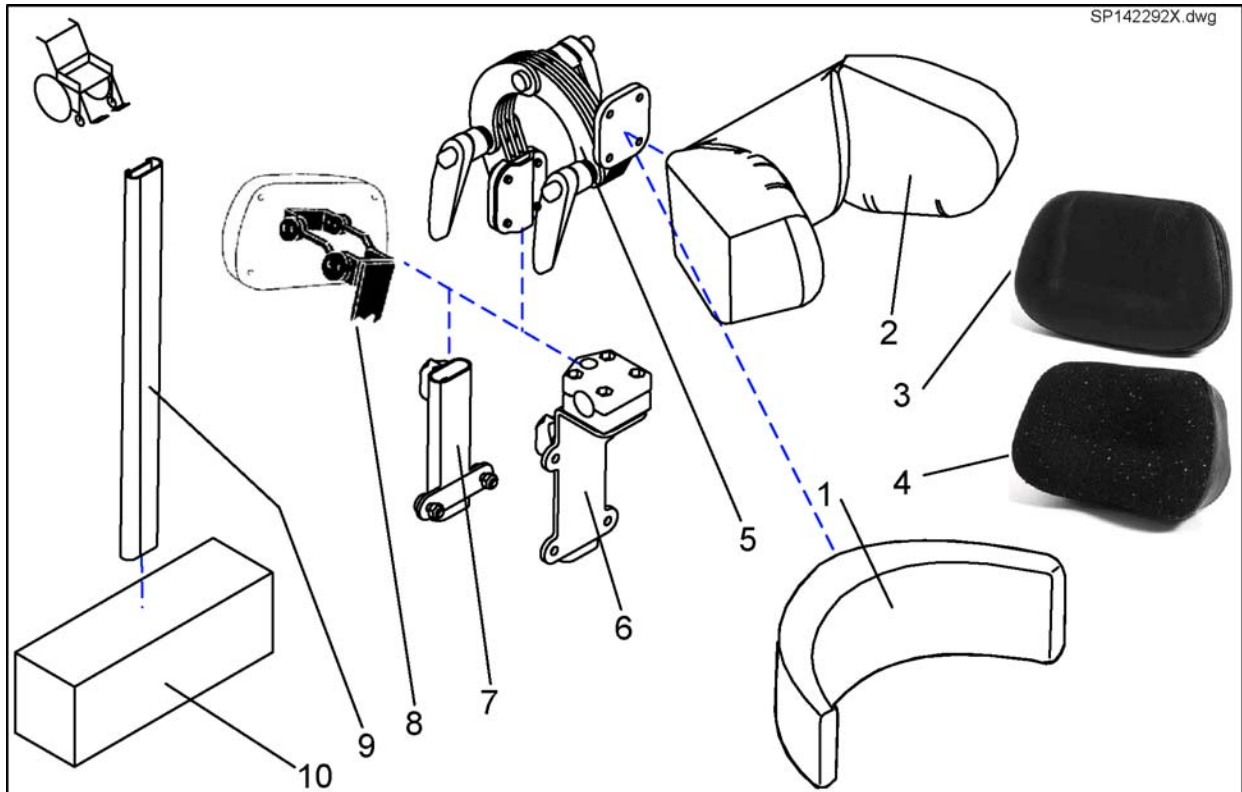
Pos.	Part number	Description	Valid from → until	Qty
1	SPS183040	Remote Bracket Standard		1
2	-	Handknob		1
3	SP1421795	Swing-Out Height-Adjustable Remote Holder RH		1
3	SP1421796	Swing-Out Height-Adjustable Remote Holder LH		1
4	SP1440493	Joystick Box Support Swing away REM 24SD Optimist, with screws		1
5	1440631	TUBE CLAMP DIA 22 MM, BLACK		1
6	Z183264.99	BUSH RD. 22 X 1.5 X 40, WITH SLIT		1
7	1496249	SWING-AWAY MECHANISM LH, CPL.		1
7	1496248	SWING-AWAY MECHANISM RH, CPL.		1
8	SP1498222	Installation-Kit For Control Unit Support Swing-Away Mechanism REM 24 SD		1

# Backrest Cushions Adults



Pos.	Part number	Description	Valid from → until	Qty
1	SP1422076	Back Cushion Contour, SW 43cm, black		1
2	1422078	Back Cushion Contour, SW 48cm, black		1
3	1422534	Back Cushion SW39cm, blue		1
4	1422535	Back Cushion SW43cm, blue		1
5	1422536	Back Cushion SW48cm, blue		1
6	5252506-TR04	Back Cushion SW39cm, grey vinyl		1
9	1436564	Back Cushion SW39cm, black		1
10	1436565	Back Cushion SW43cm, black		1
11	1436566	Back Cushion SW48cm, black		1
12	5252506-TR23	Back Cushion SW39cm, Dartex		1
13	5252507-TR23	Back Cushion SW43cm, Dartex		1
14	5252508-TR23	Back Cushion SW48cm, Dartex		1
15	1422537	Back Cushion SW43cm, VIC AIR		1

# Headrest

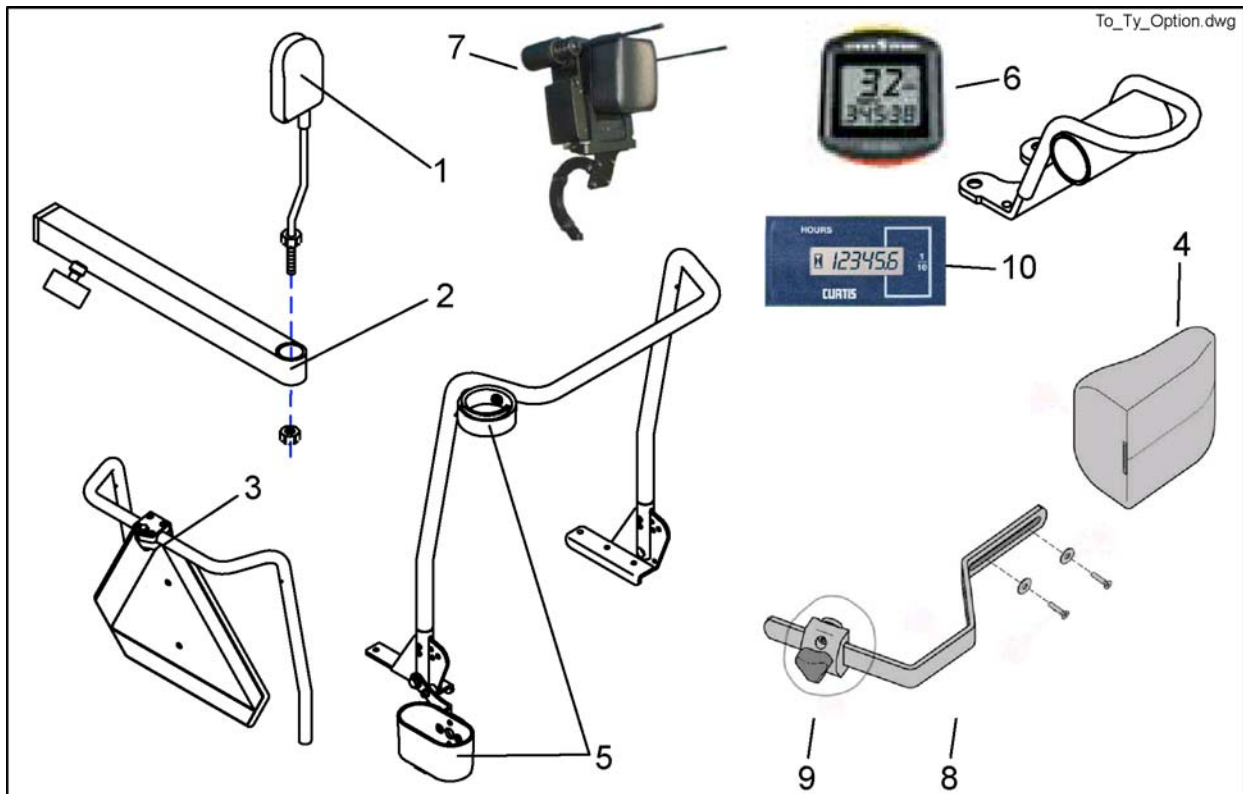


Pos.	Part number	Description	Valid from → until	Qty
1	1422865	HEADREST PAD STD./CONTOUR BLACK		1
2	1422544	HEADREST PAD FLEX BLUE		1
2	5252230-TR23	HEADREST PAD,COMFORT		1
1,5	SP1422925	Headrest Standard/Contour Black cpl.		1
2	1440285	Part not for sale		1
3	1419640	HEAD REST PAD ARNE JENSEN STANDARD CHILDREN		1
2,5	SP1428092	Headrest Flex-Seat Dartex grey, cpl.		1
2,5	SP1423163	Headrest Flex-Seat grey, cpl.		1
2,5	SP1440285	Headrest Flex-Seat black, cpl.		1
2,5	SP1422926	Headrest Flex-Seat blue, cpl.		1
3	5313999	HEAD REST PAD ARNE JENSEN STANDARD ADULTS		1
4	1419643	HEAD REST PAD ARNE JENSEN TYPE 4 ADULTS		1
4	1419646	HEAD REST PAD ARNE JENSEN TYPE 4 CHILDREN		1
5	1444209	NECK REST ATTACHM. CPL		1
6	SP1422914	Headrest Bracket For Standard Seat cpl.		1
7	SP1422547	Headrest Bracket For Contour-/Flex Seat cpl.		1
8	1419637	HEAD REST HOLDER ARNE JENSEN TYPE 3 CHILDREN		1
8	1419636	HEAD REST HOLDER ARNE JENSEN TYPE 3 ADULTS		1
9	1422921	HOLDER F. BACKREST EXTENSION		1
10	5253037-TR23	Backrest Extension for Flex Seat, SW48cm, Dartex		1
10	5253037-TR04	Backrest Extension for Flex Seat, SW48cm, grey vinyl		1
10	5253036-TR23	Backrest Extension for Flex Seat, SW43cm, Dartex		1
10	5253035-TR04	Backrest Extension for Flex Seat, SW39cm, grey vinyl		1
10	SP1422919	Backrest Extension for Flex Seat, SW43cm, blue		1
10	SP1422920	Backrest Extension for Flex Seat, SW48cm, blue		1
10	SP1422918	Backrest Extension for Flex Seat, SW39cm, blue		1
10	SP1440283	Backrest Extension for Flex Seat, SW48cm, black		1
10	5253035-TR23	Backrest Extension for Flex Seat, SW39cm, Dartex		1
10	SP1436568	BACKREST EXTENSION FOR FLEX SEAT SB 44CM, BLACK		1
10	SP1436567	Backrest Extension for Flex Seat, SW39cm, black		1
1,5	SP1422925	Headrest Standard/Contour Black cpl.		1

## Headrest

Pos.	Part number	Description	Valid from → until	Qty
2.5	SP1428092	Headrest Flex-Seat Dartex grey, cpl.		1
2.5	SP1440285	Headrest Flex-Seat black, cpl.		1
2.5	SP1423163	Headrest Flex-Seat grey, cpl.		1
2.5	SP1422926	Headrest Flex-Seat blue, cpl.		1

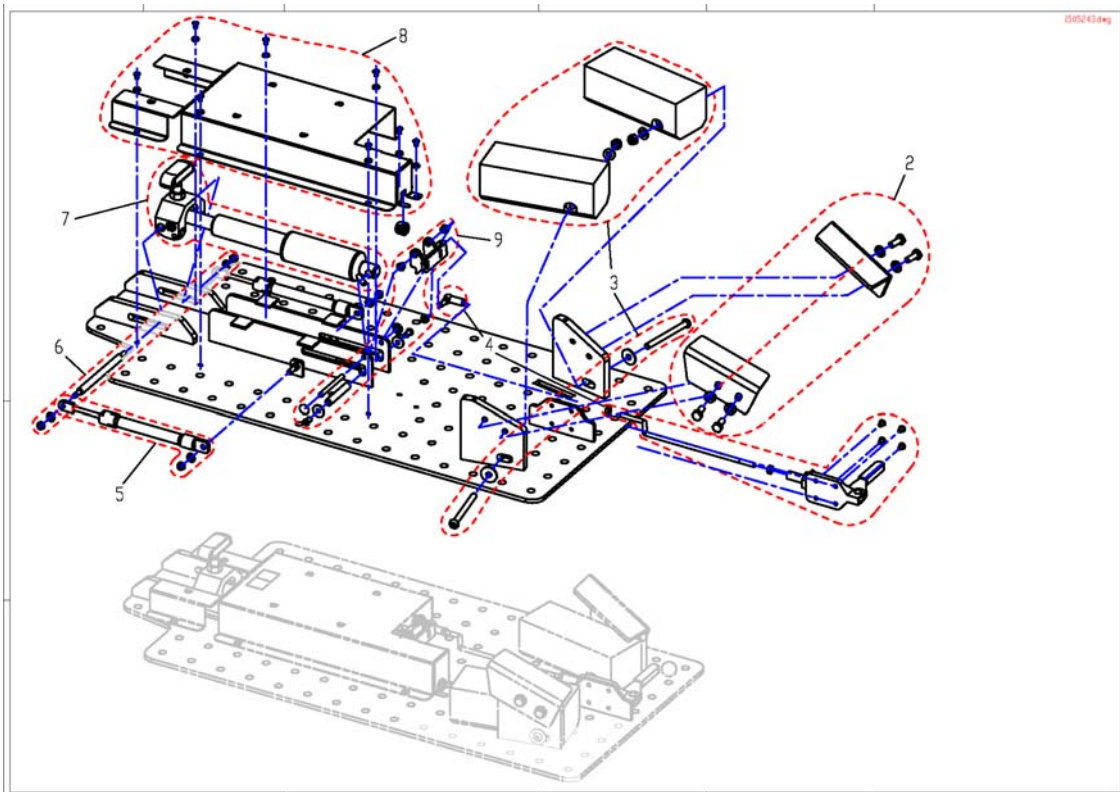
# Options



To\_Ty\_Option.dwg

Pos.	Part number	Description	Valid from → until	Qty
-	1449280	USB Wizard Dongle Kit, EDL-USB, cpl.		1
-	1421733	REED-SENSOR CABLE		1
1,2	SP1422881	Rear Mirror Complete With Support		1
-	1430834	Rear Marking Sign Ece-R 69		1
-	1440530	TRANSPORT RAMP		1
-	1442684	Touch Up Paint RAL 9005 Black "silk-mat"		1
-	P22317	CABLE SOCKET 6 X 10 X 13		1
-	P30497	MAGNET, ROUND 6 X 25		1
-	Q99991	AIR PUMP WITH INSERT HOSE		1
-	SP1422868	ON-BOARD TOOL SET WITH BAG		1
-	SP1524591	Adapter Cable for Hour Counter		1
-	Z12008A.P40	Gripping Clip With Hexagon Hole, Ral 9005 Black		1
-	Z176015A	NYLONBAG		1
-	Z183255-9005	ACS-SPEEDOMETER BRACKET REM 24		1
-	Z183259	TACHOMETER		1
-	Z183296-9005	SPEEDOMETER HOLDER G80I		1
1	SP1422955	Rear Mirror		1
2	SP1423435	Rear Mirror Support Rail cpl.		1
3	SP1430410	REAR MARKING SIGN ECE-R 69 CPL.		1
5	1442701	CANE HOLDER FOR STANDARD-SEAT, LH, CPL.		1
5	SP1534877	Cane Holder for Standard-Seat, RH		1
5	1442702	CANE HOLDER FOR CONTOUR/FLEX-SEAT, LH, CPL.		1
5	1442725	CANE HOLDER FOR RECARO-SEAT, COMPLETE		1
5	SP1422844	Cane Holder Std. cpl., RH/LH		1
5	SP1422949	CANE HOLDER CONTOUR / FLEX SEAT, RH, CPL.		1
5	SP1423159	CANE HOLDER RECARO CPL.		1
6	SP1421843	SIGMA SPORT SPEEDOMETER, CPL. (REM 24)		1
6	SP1422841	SIGMA SPORT BC 600 SPEEDOMETER, CPL. (G 80I)		1
7	1442679	HEAD CONTROL UNIT ACS		1
8	1423700-9005	Handle for Pelotte		1
10	SP1485699	Hour Counter Of GB Motor		1

## Docking Station

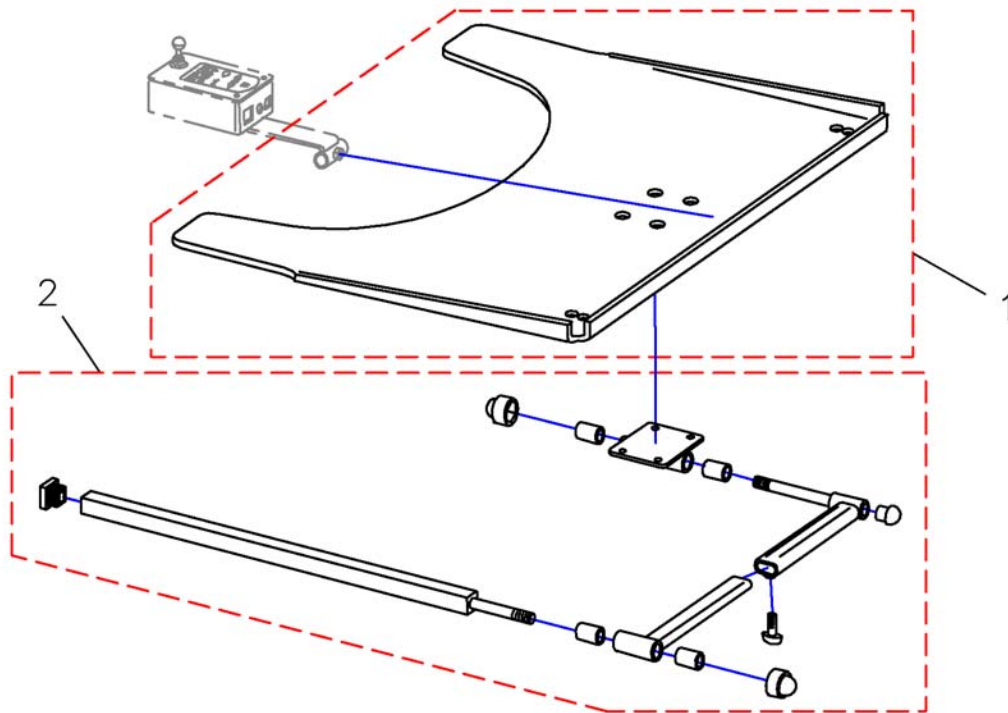


Pos.	Part number	Description	Valid from → until	Qty
2	SP1509359			1
5	SP1498420	pressure Spring cpl.		1
6	SP1495181	Stud		1
7	SP1498421	t-brace cpl.		1
8	SP1496135	Cover		1
9	SP1495247	Chain Guide		1
3	SP1522818	Buffer Stop		1
4	SP1510996	Driving Rod		1
10	SP1522819	Chair Part		1



# Tray

Z177036.dwg



Pos.	Part number	Description	Valid from → until	Qty
-	SP1422954	Swing-Out Tray Without Cut-Out, cpl.		1
-	SP1422953	Swing-Out Tray With Cut-Out F. Control RH cpl.		1
-	SP1422952	Swing-Out Tray With Cut-Out F. Control LH cpl.		1
1	Z177017	Tray-LH Control, Transparent		1
1	Z177016	Tray-RH Control, Transparent		1
1	Z17024A	Tray 660 X 540 X 8, Transparent		1
2	SPZ177011	Tray holder		1



Yes, you can.®



---

**Belgium & Luxemburg:**

Invacare nv, Autobaan 22, B-8210 Loppem  
Tel: (32) (0)50 83 10 10, Fax: (32) (0)50 83 10 11  
belgium@invacare.com

**Danmark:**

Invacare A/S, Sdr. Ringvej 37, DK-2605 Brøndby  
Tel: (45) (0)36 90 00 00, Fax: (45) (0)36 90 00 01  
denmark@invacare.com

**Deutschland:**

Invacare Aquatec GmbH, Alemannenstraße 10, D-88316 Isny  
Tel: (49) (0)75 62 7 00 0, Fax: (49) (0)75 62 7 00 66  
info@invacare-aquatec.com

**European Distributor Organisation:**

Invacare, Kleiststraße 49, D-32457 Porta Westfalica  
Tel: (49) (0)57 31 754 540, Fax: (49) (0)57 31 754 541  
edo@invacare.com

**España:**

Invacare SA, c/Areny s/n, Polígon Industrial de Celrà, E-17460 Celrà (Girona)  
Tel: (34) (0)972 49 32 00, Fax: (34) (0)972 49 32 20  
contactsp@invacare.com

**France:**

Invacare Poirier SAS, Route de St Roch, F-37230 Fondettes  
Tel: (33) (0)2 47 62 64 66, Fax: (33) (0)2 47 42 12 24  
contactfr@invacare.com

**Ireland:**

Invacare Ireland Ltd, Unit 5 Seatown Business Campus, Seatown Road, Swords, County Dublin - Ireland  
Tel: (353) 1 810 7084, fax: (353) 1 810 7085  
ireland@invacare.com

**Italia:**

Invacare Mecc San s.r.l., Via dei Pini 62, I-36016 Thiene (VI)  
Tel: (39) 0445 38 00 59, Fax: (39) 0445 38 00 34  
italia@invacare.com

**Nederland:**

Invacare BV, Celsiusstraat 46, NL-6716 BZ Ede  
Tel: (31) (0)318 695 757, Fax: (31) (0)318 695 758  
nederland@invacare.com, csede@invacare.com

**Norge:**

Invacare AS, Grensesvingen 9, Postboks 6230, Etterstad, N-0603 Oslo  
Tel: (47) (0)22 57 95 00, Fax: (47) (0)22 57 95 01  
norway@invacare.com, island@invacare.com

**Österreich:**

Mobitec Mobilitätshilfen GmbH, Herzog Odilostrasse 101, A-5310 Mondsee  
Tel: (43) 6232 5535 0, Fax: (43) 6232 5535 4  
office@mobitec-austria.com, austria@invacare.com

**Portugal:**

Invacare Lda, Rua Estrada Velha, 949, P-4465-784 Leça do Balio  
Tel: (351) (0)225 1059 46147, Fax: (351) (0)225 1057 39  
portugal@invacare.com

**Sverige & Suomi:**

Invacare AB, Fagerstagatan 9, S-163 91 Spånga  
Tel: (46) (0)8 761 70 90, Fax: (46) (0)8 761 81 08  
sweden@invacare.com, finland@invacare.com

**Switzerland:**

Mobitec Rehab AG, Benkenstrasse 260, CH-4108 Witterswil  
Tel: (41) (0)61 487 70 80, Fax: (41) (0)61 487 70 81  
office@mobitec-rehab.ch, switzerland@invacare.com

**United Kingdom:**

Invacare Limited, Pencoed Technology Park, Pencoed, Bridgend CF35 5HZ  
Switchboard Tel: (44) (0)1656 776200, Fax: (44) (0)1656 776201  
Customer services Tel: (44) (0)1656 776222, Fax: (44) (0)1656 776220  
UK@invacare.com