



Aquatec® Ocean / Ocean XL

- EN Shower and Toilet Commode**
User Manual
- DE Dusch- und Toilettenrollstuhl**
Gebrauchsanweisung
- FR Fauteuil/chaise pour douche/toilettes**
Mode d'emploi
- IT Carrozzina da doccia e WC**
Istruzioni per l'uso
- ES Silla de ducha y WC**
Manual de instrucciones
- NL Douche- en toiletrolstoel**
Gebruiksaanwijzing
- PT Cadeira de banho**
Manual de instruções



This manual must be given to the user of the product.
Before using the product, read this manual and save it
for future reference!

AQUATEC®



Yes, you can.

- EN:** *Complies with Directive 93/42/EEC concerning medical devices.
The launch date of this product is stated in the EC declaration of conformity.*
- DE:** *Konform mit Richtlinie 93/42/EWG für Medizinprodukte.
Der Markteinführungszeitpunkt für dieses Produkt ist in der EG-Konformitätserklärung angegeben.*
- FR:** *Conforme à la directive 93/42/CEE relative aux dispositifs médicaux.
La date de lancement de ce produit est indiquée dans la déclaration CE de conformité.*
- IT:** *Conforme alla direttiva 93/42/CEE relativa ai prodotti medicali.
La data di lancio di questo prodotto è indicata nella dichiarazione di conformità CE.*
- ES:** *Cumple con la directiva 93/42/CEE relativa a los productos sanitarios.
La fecha de lanzamiento de este producto figura en la declaración CE de conformidad.*
- NL:** *Conform richtlijn 93/42/EEG voor medische hulpmiddelen.
De datum waarop dit product op de markt wordt gebracht, staat vermeld in de EG-verklaring van overeenstemming.*
- PT:** *Em conformidade com a directiva 93/42/CEE do Conselho relativa aos dispositivos médicos.
A data de lançamento deste produto é indicada na declaração CE de conformidade*

© AQUATEC Operations GmbH

Every effort has been made to ensure that the contents of this publication are fully up-to-date at the time of going to print. As part of its ongoing improvement of products, AQUATEC Operations GmbH reserves the right to modify existing models at any time. AQUATEC® dealers will be notified of any such modifications. Any use of this publication, or of parts thereof, as well as any reproduction of images, must have the written consent of AQUATEC Operations GmbH.

1	General	4	7	Maintenance	13
1.1	General information	4	7.1	Maintenance and inspection	13
1.2	Symbols	4	7.2	Cleaning and disinfection	13
1.3	Warranty	4	7.3	Changing the wheels	14
1.4	Intended use	4	8	After use	14
1.5	Service life	4	8.1	Storage	14
2	Safety	5	8.2	Re-use	14
2.1	Safety information	5	8.3	Disposal	14
3	Description	5	9	Troubleshooting	15
3.1	Components	5	9.1	Identifying and repairing faults	15
3.2	Identification label	6	10	Technical data	16
4	Assembly and installation	6	10.1	Dimensions and weight	16
4.1	Safety information	6	10.2	Materials	16
4.2	Assembling the shower and toilet commode	6			
4.3	Fitting/removing the self-propelling wheels (optional)	10			
5	Usage	11			
5.1	Safety information	11			
5.2	Swiveling the armrests	12			
5.3	Swiveling the footrests	12			
5.4	Removing/fitting a heel strap	12			
5.5	Removing/fitting the seat plate	12			
6	Transport	12			
6.1	Safety information	12			

I General

I.1 General information

This user manual contains information and notes on the proper and safe use of the shower and toilet commode.

Please read this user manual carefully before using the product.

The position specifications (A, B, C, etc.) in the handling instructions always refer to the preceding figure.

I.2 Symbols

Warnings

In this User Manual warnings are indicated by symbols. The warning symbols are accompanied by a heading that indicates the severity of the danger.



WARNING

Indicates a hazardous situation that could result in serious injury or death if it is not avoided.



CAUTION

Indicates a hazardous situation that could result in minor or slight injury if it is not avoided.



IMPORTANT

Indicates a hazardous situation that could result in damage to property if it is not avoided.

Tips and recommendations



Gives useful tips, recommendations and information for efficient, trouble-free use.

I.3 Warranty

We provide a manufacturer's warranty for the product in accordance with our General Terms and Conditions of Business. Guarantee claims can only be made through the relevant dealer.

Quality

Quality is of the utmost importance for our company; all processes are based on ISO 9001 and ISO 13485.

The product meets the requirements of DIN EN 12182.

Should you require further information, please contact the relevant INVACARE® subsidiary in your country (contact addresses are provided on the back of this user manual).

I.4 Intended use

The shower and toilet commode is designed exclusively as an aid for showering or bathing, going to the toilet or for transferring patients while indoors. Do not use for any other purpose.



WARNING Risk of injury

- Never use the product as an aid for getting into or out of a bathtub, for climbing or descending, as a support or for similar purposes.
- Do not use the product outdoors.

As a toilet commode, you can use the product over a standard toilet or independently with the commode pan (optional).

The shower and toilet commode may only be used as a bathing stool in a pool, if the pool does not contain salt water and an attendant is present at all times.

Temperature for use: 10 - 65 °C

I.5 Service life

The expected service life of this product is three years when used in accordance with safety instructions and intended use, stated in this manual. The effective service life can vary according to frequency and intensity of use.

2 Safety

2.1 Safety information



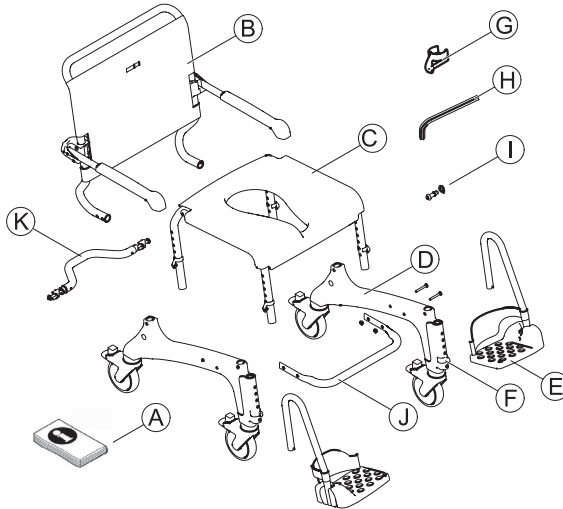
WARNING Risk of injury

- ▶ Do not use a faulty product.
- ▶ In the event of a malfunction, contact a dealer immediately.
- ▶ Do not make any unauthorized changes or alterations to the product.
- ▶ Only use accessories intended for this product.

3 Description

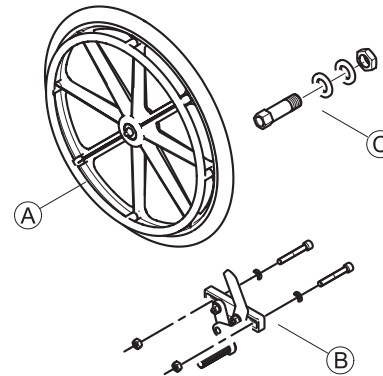
3.1 Components

The following components are included within the scope of delivery of the AQUATEC® Ocean/ XL:



Ⓐ	User manual
Ⓑ	Backrest with backrest cover and armrests
Ⓒ	Seat frame with seat plate
Ⓓ	Side parts with wheels (2 x)
Ⓔ	Footrests with heel strap (2 x)
Ⓕ	Clips (2 x) for footrest (inserted)
Ⓖ	Clips (4 x) for seat frame
Ⓗ	Allen key AF 4
Ⓘ	Screws (4 x) and curved washers (4 x)
Ⓙ	Base stabilization tube with screws (4 x) and nuts (4 x) - Ocean XL only
Ⓚ	Stabilization tube with spacers, screws and nuts

The following parts are included within the scope of delivery of the self-propelling wheels with parking brake:

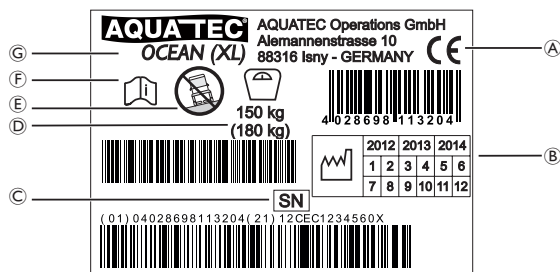


Ⓐ	Self-propelling wheels (2 x)
Ⓑ	Parking brakes (2 x)
Ⓒ	Hubs (2 x)

Please note the change in dimensions when the self-propelling wheels are fitted. The details are provided in the technical data.

3.2 Identification label

The identification label also contains important information:



Ⓐ	Conformity mark
Ⓑ	Product timeframe
Ⓒ	Serial device number
Ⓓ	Load capacity
Ⓔ	Note (use only on flat surfaces)
Ⓕ	Note (observe accompanying documents)
Ⓖ	Device designation



The identification label is positioned on the inside of the right-hand side part.

4 Assembly and installation

4.1 Safety information



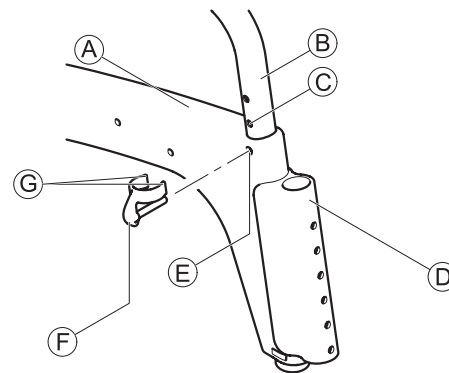
IMPORTANT

- ▶ Check the parts for transport damage before commissioning and contact the dealer if required.
- ▶ Ensure during assembly that the parts are positioned correctly with respect to one another.

4.2 Assembling the shower and toilet commode

This section describes the assembly. Disassembly takes place in the reverse order.

Fitting the side parts



1. Remove the enclosed clips Ⓕ from the bag.
2. Place the seat frame on its side.



IMPORTANT

- ▶ Push the side part evenly onto the frame and do not twist.
- ▶ Secure the side part at the same height, front and rear.

3. Push the side part (A) with the guides for the footrests (D) forwards on the seat frame (B).
4. Bring the clip mounts (E) on the front and back of the side part in line with a hole in the seat frame (C).
5. Insert the clips (F) from the outside into the side part, until both ends (G) enclose the seat frame tube (B).

! IMPORTANT

- Ensure that the left and the right side parts are set to the same height.

6. Turn the seat frame and repeat the procedure on the second side part.
7. Set the seat frame with the fitted side parts on its wheels.

Adjusting the seat height

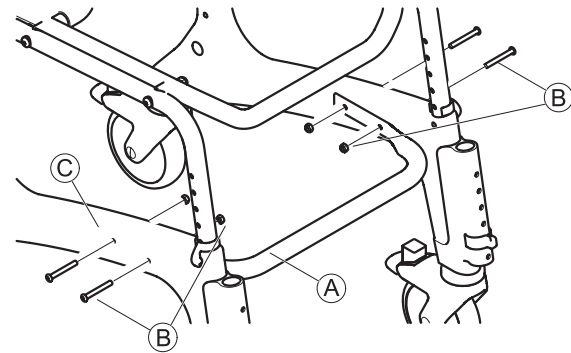
! IMPORTANT

The seat height is to be adapted to the user. It is generally correctly adjusted if the user can sit on the shower and toilet commode with both feet resting on the floor.

- Change the height to the same level on both sides.
- Do not adjust the seat height while there is someone sitting on the shower and toilet commode.

1. Raise the shower and toilet commode slightly on one side by the seat frame (B).
2. Remove both clips (F) on this side.
3. Pull the seat frame out of the side part (A) or push it into the side part to adjust the seat height.
4. Push both clips back in completely.
5. Raise the other side and set to the same height as described.

Fitting the base stabilization tube (Ocean XL only)



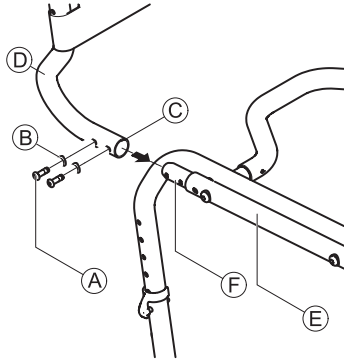
- I. Fit the base stabilization tube (A) using the screws and nuts (B) supplied between the side parts (C).

Fitting the backrest

1. Secure all four wheels. To do this, press down on the red foot lever on the wheels.

! IMPORTANT

- Ensure that the armrests point forward when in the unfolded position.



2. Insert the backrest ④ from behind into the seat frame ⑤, until the collar ③ abuts the seat frame tube ⑥.

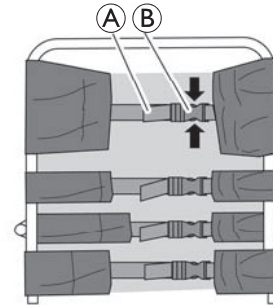
! IMPORTANT

- The rounded part of the curved washers must sit on the seat frame tube.
- Firmly tighten the screws using the Allen key supplied. The torque is 5 Nm.
- Check the screws regularly to ensure they are sitting securely.

3. Position a curved washer ② on each screw ① and secure the backrest, on the left and right, with two screws on each side.

Adjusting the backrest cover

The tension of the backrest can be adjusted as desired.



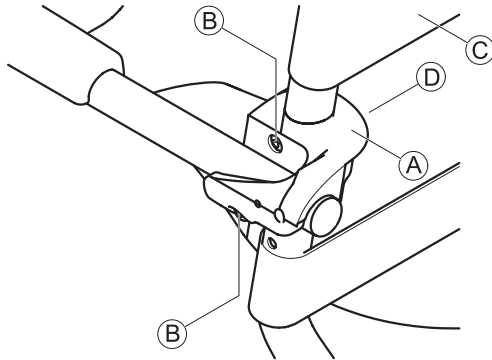
Tightening

1. Pull the belts ① of the backrest cover tighter.

Loosening

1. Open the buckles ② by squeezing the retaining lugs together (arrows).
2. Push the belts back a little through the buckle.
3. Close the belt buckles.
4. Retighten the belts gently.

Adjusting the height of the armrests



! IMPORTANT

- Adjust the height of the armrests to suit the user.
- Change the height of the armrests evenly on both sides.
- Set the height of the right and left armrest in the exact same manner.

1. On the backrest cover, open the buckle of the belt that passes on the inside of the backrest frame.
2. On the backrest cover, open the buckle of the belt © that runs above the armrest.
3. Pass this belt on the inside of the backrest frame and reclose.



The nuts are inserted loosely in the retaining clamp and can fall out.

4. Unscrew the screws © of the armrest bracket (A) using the Allen key supplied.
5. Remove the securing clamp © with the nuts from the inside of the backrest frame.

6. Remove the backrest bracket (A) with the armrest and move it upwards.



The smaller hole serves to fix the retaining clamp.

7. Insert the screws in the armrest bracket and guide them through the holes in the backrest frame.
8. If required, put the nuts back into the retaining clamp.
9. Place the retaining clamp on the backrest frame so that the fixing on the retaining clamp projects into the smaller hole.
10. Turn the screws in the nuts and tighten.
11. Pass the belt of the backrest cover that is still open on the outside of the backrest frame, close and tighten all belts.



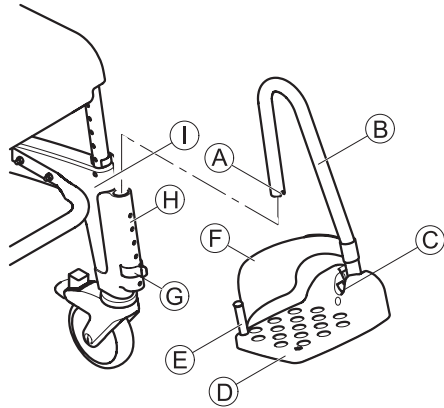
IMPORTANT

- The armrests are lowered the same procedure.
- When converting to the lower position, the belt that lies beneath the armrest must be opened and passed inside the backrest frame.

Fitting footrests

! IMPORTANT

- The assembly is the same for the right and left footrest.



1. Push the footrest **B** with the footplate **D** into the guide **H** at the front of the side part **I** until the groove **A** engages with the pin of the clip **G**. The footrest can no longer be turned to the side.

Adjusting the height of the footrests

1. Pull the footrest **B** up a little.
2. Pull out the clip **G** and push it back in in the desired position. If required, pull out the footrest a little further to do this.
3. Push the footrest downwards until the groove **A** engages with the pin of the clip.
4. Set the second footrest to the desired height as described.

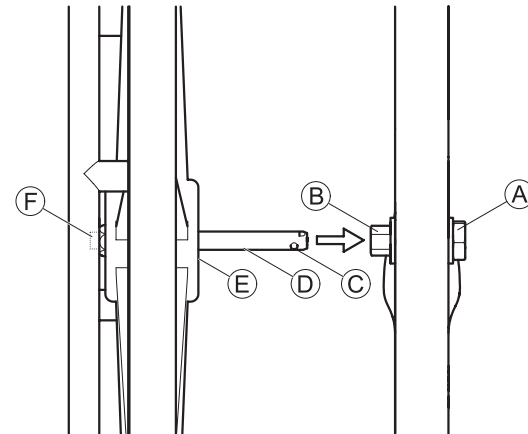
Adjusting the inclination of the footplates

! IMPORTANT

- The inclination of the footplates is continuously adjustable.
- Set the right and left footrest in the exact same way.

1. Loosen the Allen head screw **C** on the footplate using a size 4 Allen key.
2. Turn the footplate **D** to the desired position.
3. Retighten the Allen head screw.

4.3 Fitting/removing the self-propelling wheels (optional)



**IMPORTANT**

- When the self-propelling wheels are fitted, the rear wheels must remain locked.
- The assembly is the same for the right and left self-propelling wheel.
- The hubs and the parking brakes for the self-propelling wheels must be fitted by a dealer. Assembly is described in the assembly instructions „Assembling the hubs and brakes for Aquatec® Ocean 24“ wheels“.

1. Align all four wheels in the driving direction.
2. Lock all wheels.
3. Push the axle ① on the self-propelling wheel inwards. (The handrims project outwards.)
4. Press and hold the button ② on the outside of the axle. This releases the retaining balls ③ at the end of the axle.
5. Raise the shower and toilet commode a little.
6. Insert the axle into the hub ④ and push in the self-propelling wheel onto the axle until the end stop ⑤.
7. Release the button.
8. Press the retaining balls outward so that they are behind the hex nut ⑥.

Remove the wheels using the same procedure in the reverse order.

5 Usage

5.1 Safety information

**WARNING**

- Lock the parking brakes in the park position.
- Only use the shower and toilet commode on a flat surface and only indoors.
- Observe the specifications on the identification label. Do not overload the shower and toilet commode.
- Always perform a visual inspection of the product for external damage before each use.
- Do not use a faulty product.

**WARNING** Risk of slipping and rolling

- Ensure before using that the seat surface is securely fixed to the seat frame.
- Lock all four wheels using the red foot levers before sitting into the commode or standing up from it, as well as in the parking position. Apply the parking brake when the self-propelling wheels are fitted (optional).

**WARNING** Risk of tipping

- Swivel the footrests to the side before sitting down or standing up or fold the footplates up.
- Do not stand on the footrests.

**CAUTION** Risk of pinching

- When using the self-propelling wheels (optional), do not insert your fingers between the spokes or the rotating self-propelling wheels and the seat frame while moving.

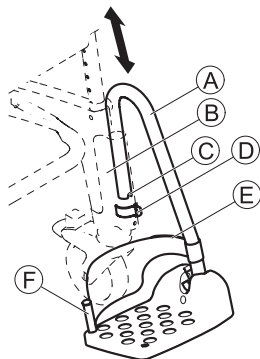
5.2 Swiveling the armrests



CAUTION Risk of getting fingers caught in the flap mechanism

- ▶ Do not grip the joint when folding the armrests up or down.
- ▶ Make sure that no parts are caught in the mechanism.
- ▶ Do not grip between the armrest and the backrests when folding up.

5.3 Swiveling the footrests



Entry position/exit position:

1. Pull the footrest (A) in the guide (B) a little upwards, until the groove (C) no longer engages in the pin of the clip (D).
2. Swivel the footrest to the side.

Driving position:



CAUTION Risk of accident due to loose footrest

- ▶ Fix footrests in the driving position.

1. Turn the footrest (A) inwards.

2. Push the footrest downward, until the groove (C) engages in the pin of the clip (D).

5.4 Removing/fitting a heel strap

1. Open the Velcro® strip (E) on the heel strap.
2. Remove the screw (F) from the underside of the footplate.
3. Remove the heel strap from the flexible plastic pin.

Attach the strap using the same procedure in the reverse order.



IMPORTANT

When installing ensure that the Velcro® strip of the heel strap is facing backwards.

5.5 Removing/fitting the seat plate

Removing:

1. Pull the seat plate upwards on both sides.

Fitting:



CAUTION Risk of getting fingers caught

- ▶ Do not insert fingers between the seat surface and the seat frame when pressing down on the seat plate.

1. Place the seat plate on the seat frame with the cutout to the front.
2. Push the seat plate backwards as far as it will go.
3. With your hand flat, press the seat plate down at the sides and then at the front and back until the seat plate snaps into the seat frame.

6 Transport

6.1 Safety information



The product can be dismantled for transport into the parts of the scope of delivery (Section 3.1 Components).

- ▶ Disassemble the product, see Section 4 „Assembly and installation“.

7 Maintenance

7.1 Maintenance and inspection

If the cleaning and safety notices provided are observed, the product will be maintenance free.

- Check product regularly for damage and to ensure that it is securely assembled.
- In the event of damage and/or likely repairs, contact the dealer immediately.

The product must be checked by an authorized dealer before every re-use or after 24 months at the latest (see Manufacturer's recommendation for rehab products of the SPECTARIS industrial association).

7.2 Cleaning and disinfection

The product can be cleaned and disinfected using commercially available agents.

! IMPORTANT

In the sensitive area of the bathroom, hygiene is particularly important.

- Keep the product clean at all times and wash it regularly.

- Disinfect the product by wiping down all generally accessible surfaces with disinfectant (after disassembling the product, if possible).

! IMPORTANT

All cleaning agents and disinfectants used must be effective, compatible with one another and must protect the materials they are used to clean. For further information on decontamination in Healthcare Environments, please refer to 'The National Institute for Clinical Excellence' guidelines on Infection Control www.nice.org.uk/CG002 and your local infection control policy.

- Clean by hand.
- Clean without scouring agent.

Cleaning in a domestic environment

! IMPORTANT Risk of damage

- Do not disassemble the brackets for the accessories.

1. Remove any accessories fitted.
2. Pull the footrests out of the guides.
3. Remove the seat plate and the backrest cover.
4. Remove the side parts, see Section 4 „Assembly and installation“.
5. Reinsert the clips in the seat frame immediately so that they are not misplaced.
6. Wash the individual parts using a cloth or brush and commercially available cleaning agents and disinfectants.
7. Rinse the parts with warm water.
8. Dry the parts with a cloth.
9. Re-assemble the product, see Section 4 „Assembly and installation“.

Cleaning in a hospital environment



CAUTION Risk of burning your skin

Allow the product to cool after cleaning in the autoclave.

1. In addition to cleaning as described above, clean the product at regular intervals at 85 °C for 3 minutes in the autoclave.

Cleaning the backrest cover (optional)

1. Remove the backrest cover.
2. Wash the cover in a washing machine at max. 60 °C using a mild detergent.

! IMPORTANT Risk of damage

- Washing at high temperatures can cause shrinkage.
- Do not dry covers in the tumble dryer.

7.3 Changing the wheels



WARNING Risk of accident due to incorrectly fitted wheels.

The wheels must be replaced by a specialist dealer.

8 After use

8.1 Storage



IMPORTANT Risk of damage

- Store the product in a dry area at a temperature of between 0 °C and 40 °C, air pressure of 860 - 1060 hPa and humidity of 30 - 75%.
- Do not store the product near heat sources.
- Keep the product out of direct sunlight.

8.2 Re-use

The product is suitable for repeated use. The number of times it can be used depends on how often and in which way the product is used. Before reuse, clean and disinfect the product thoroughly and check the safety functions, and reset if necessary.

8.3 Disposal

The disposal and recycling of used devices and packaging must comply with the applicable legal regulations.

Please refer to the manufacturer for details of the proper and complete disposal.

9 Troubleshooting

9.1 Identifying and repairing faults

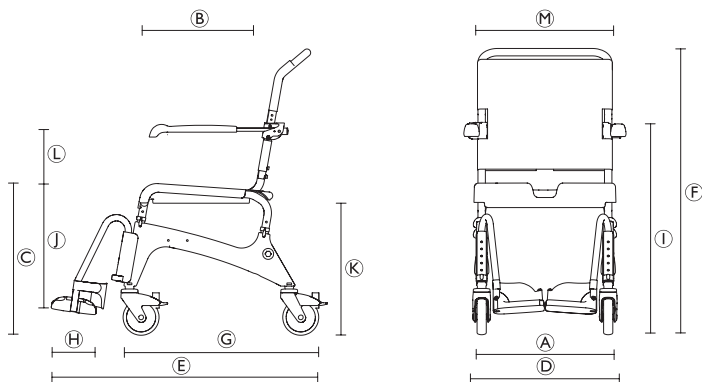


The following table provides information on malfunctions and their possible causes.

If you cannot correct the malfunction using the remedies named, please contact your dealer directly.

Fault	Possible cause	Remedy
Adjusting the seat height is difficult due to stiffness	Deposits between the seat frame and seat part	▸ Disassemble product into the parts of the scope of delivery and clean thoroughly.
Wheel is not turning at all or only with difficulty.	Dirt between the fork and the rim	▸ Clean wheels thoroughly.
It is difficult to turn the footrests	Deposits in the guides	▸ Remove footrests and clean thoroughly.
Parking brake of the self-propelling wheels (optional) does not engage	Parking brake incorrectly adjusted	▸ Adjust the parking brake

10 Technical data



10.1 Dimensions and weight

D	Total width (Ocean)	560 mm
	Total width (Ocean XL)	640 mm
	Total width with self-propelling wheels	675 mm
E	Depth	934 mm
	Depth with self-propelling wheels	1060 mm
G	Depth without footrests	700 mm
H	Depth of footplate	155 mm
F	Height	964 - 1094 mm
I	Height to armrests	680 - 850 mm
J	Height from footrests to seat	255 - 495 mm
A	Seat width	480 mm
B	Seat depth	450 mm

C	Seat height	477 - 600 mm
	Min. width between the side parts	approx. 381 mm
K	Min. distance between the floor and the bracket for the commode pan	approx. 408 mm
	Weight	approx. 15 kg
	Load capacity (Ocean)	150 kg
	Load capacity (Ocean XL)	180 kg

10.2 Materials

Frame	Stainless steel, powder-coated
Seat plate	Polypropylene
Backrest cover	Nylon, PVC coated
Footrests	Polypropylene, glass fiber reinforced
Side parts	Polypropylene, glass fiber reinforced
Armrests	Polypropylene
Wheels	Plastics and stainless steel