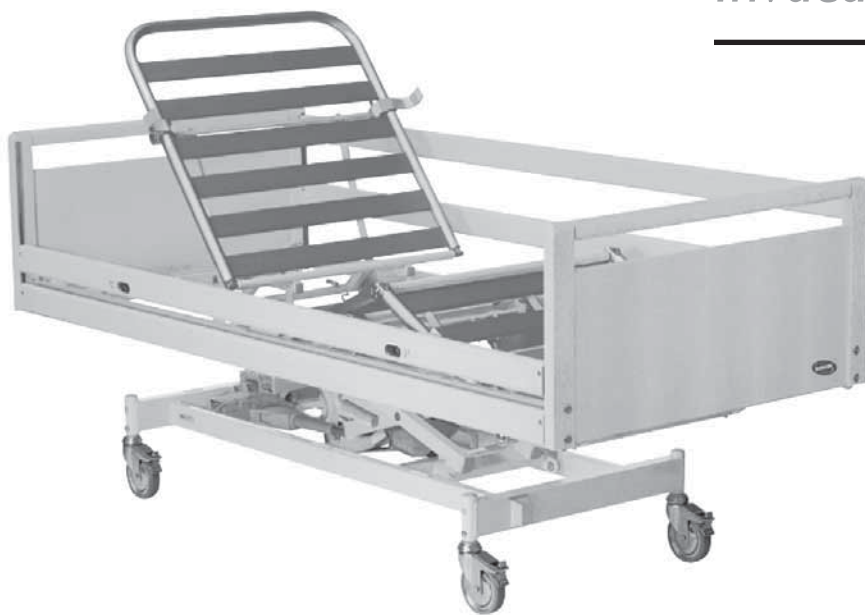




Yes, you can.[®]



Invacare[®] ScanBed 750TM

User Manual (GB)

Brugermanual (DK)

Bruksanvisning (SE)

Brukerveiledning (NO)

Käyttöohje (FI)

Bedienungsanleitung (DE)

Gebruiksaanwijzing (NL)

Manuel d'utilisation (FR)

Manual del usuario (ES)

Manuale d'uso (IT)



Table of contents

User part	6
1. General information	6
2. Operation of the SB750™	7
Technical part	10
3. Information	10
4. Receiving the SB750™	11
5. Fitting the accessories	13
6. Disassembly/assembly of the SB750™	15
7. Wiring	17
8. Order numbers for accessories	19
9. Maintenance and check-ups	21
10. Beds equipped with accumulator back up	21
11. Maintenance chart	22
12. Trouble-shooting the electrical system	23
13. Lubrication plan	23
14. Cleaning	24
15. Technical specifications	24
16. Electrical data	25
17. Weight	26
18. Disposal	26

User part

Congratulations on your choice of *Invacare*® EC-Høng's **SB750**TM nursing bed.

- The bed has been developed for patients over 12 years of age requiring care in a nursing home or home care nursing.
- The bed combines excellent stability and ergonomic design with easy disassembly and operation.
- The unique backrest return of the bed provides the patient with excellent comfort and the carer with ideal conditions for an ergonomically correct working position.

In order to optimise the patient's comfort, *Invacare*® recommends using a 12-cm mattress.

I. General information



The **SB750**TM bed fulfils all requirements regarding maximum distances. However, if the bed is used for the care of patients with small body dimensions, it must be especially noted that there is a risk of such a patient slipping through the openings between the side rails or through the opening between the side rail and the mattress support.



The bed must not be used by patients under 12 years of age, or by patients with body size equivalent to an average 12 year old or smaller.



The bed, in combination with side rails, must not be used for persons under 45 kg or under 150 cm's height, or for persons that are restless (spasms) or confused, unless

- a professional risk assessment has taken place and been accepted, or
- a correctly installed safety cover on the side rails are used.



When using side rails and the according safety cover, it is essential to ensure correct fitting - **otherwise there is danger of entrapment / suffocation between mattress support, side rail and bed end!**



If the bed is used by restless (spasms) or confused persons, an ACP box can be used for blocking the hand control functions, and / or a limitation cross bar installed under the leg section of the mattress support. This cross bar will prevent the leg section from being lowered below the level of the mattress support, thereby reducing the opening between leg section and bed end.



Ensure the bed is adjusted to it's lowest position before leaving the bed unattended - thereby the effect of fall-down / entrapment accidents is reduced.



Invacare® accepts no liability for any use, change or assembly of the product other than as stated in this User's Manual.

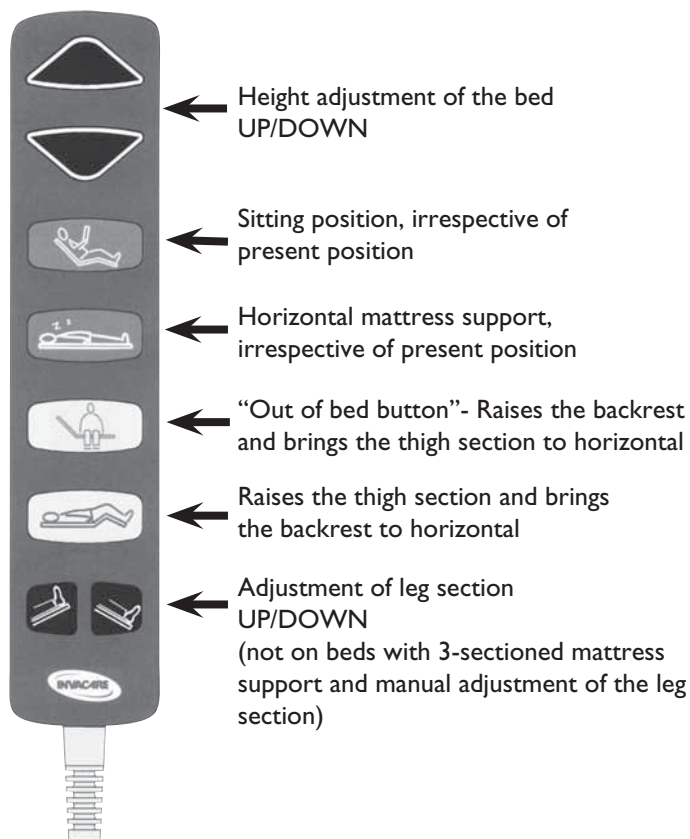


The bed must be placed so that the height adjustment (up/down) is not obstructed by, for example, lifts or furniture. Otherwise there is a risk for injury on user and/or equipment.

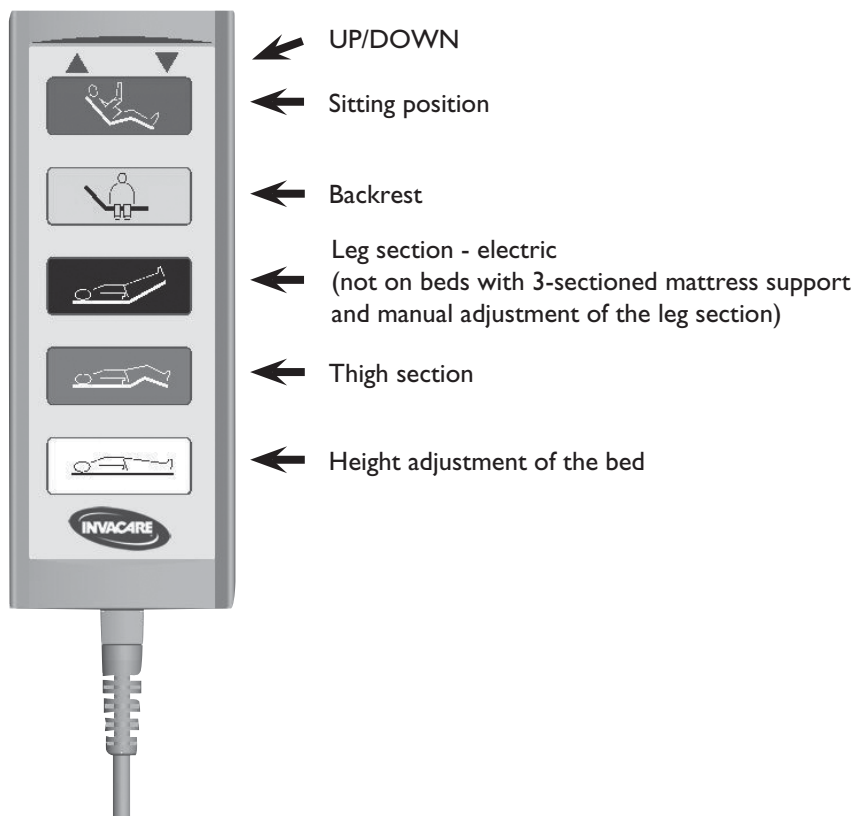
When entering or exiting the bed, the height adjustment should be used. Furthermore, the backrest can be used as support (yellow button on the hand control). However, the thigh- and leg section must be horizontal, otherwise, there is risk of overloading of the mattress support.

2. Operation of the SB750™

The bed can be equipped with this type of hand control (Soft Control):

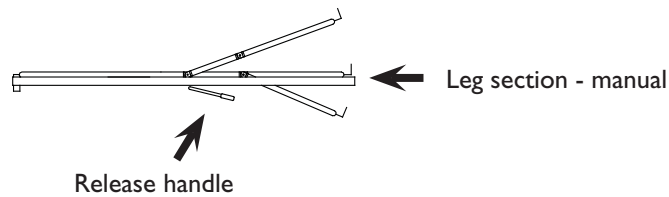


Or with this type of hand control (HB 70):



Operating the leg section on beds with gas springs

Lift the handle with one hand, while adjusting the leg section to the desired position with the other hand.
Release the handle.



Operating the leg section on SB750, 120 cm width, with Rastofix

To raise the leg section: Lift the leg section to desired height.

NB: Please ensure that both Rastofix brackets are correctly locked in place.

To lower the leg section: Lift the leg section slightly and lower to horizontal.



Always leave the bed in the lowest position. Otherwise there is a risk of squeezing due to accidental lowering of the mattress support. A person can be seriously injured under the bed during height adjustment.

Operating the braking castors

<p>Operating castors without central braking system When the bed is positioned correctly, at least one castor at the head end and one castor at the foot end must be locked.</p> <p>1) Braking: Step on the pedal. 2) Releasing the brake: Step on the release pedal.</p>	
<p>Operating castors with central braking system When the bed is positioned correctly, it must be locked.</p> <p>1) Braking: If the brake is in neutral, step on the red pedal. 2) Releasing the brake: Step on the green pedal, until the brake is in neutral position.</p>	
<p>Operating the steerable castor The <i>SB750TM</i> with central braking system may be equipped with a steerable castor. The steerable castor is operated by means of the central braking pedal.</p> <p>1) Activating the steering: If the brake is in neutral, step on the green pedal. 2) Deactivating the steering: Step on the red pedal, until the brake is in neutral position.</p>	

Set-off from the castors might under special conditions appear at different types of absorbing floor covering - including untreated or badly treated floors. In matters of doubt, *Invacare*[®] recommends to place a suitable kind of protection between the castors and the floor.

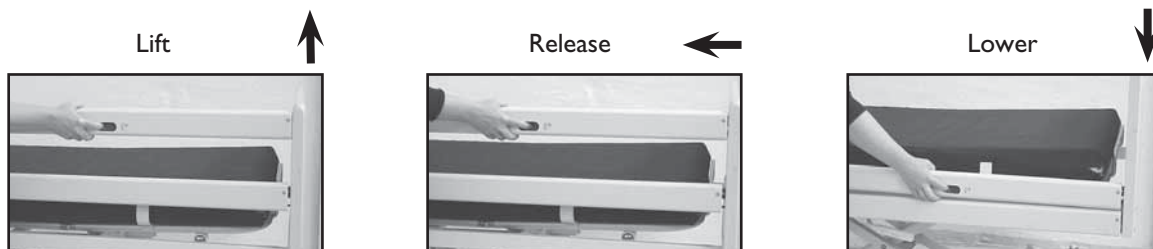
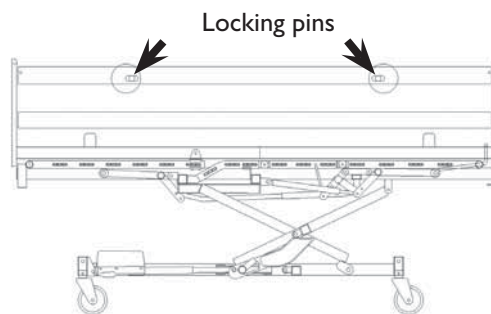
Operating the BRITT II/III/IV wooden side rail

The bed end may be equipped to lock the side rail at half height as well as in the top position.

Normally the side rail can only be locked in top position.

Up: Pull up the top wooden side rail bar, until the locking pin locks with an audible click.

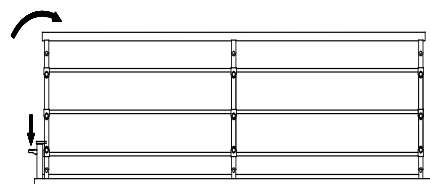
Down: Lift the top wooden side rail bar and press the two locking pins together. Lower the side rail.



Operating the steel side rail

Up: Lift the top steel bar of the side rail towards the end with the locking mechanism.

Down: Press the release button and pull the top bar of the steel side rail away from the locking mechanism.



There is risk of entrapment of fingers on assembly and operation of the side rails. Please ensure that the side rail locking system has engaged properly by pulling / pushing the upper bar.

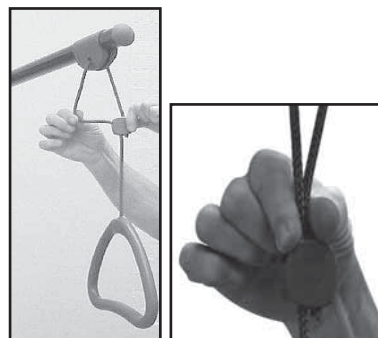
Adjusting the height of the lifting pole handle

Loosen the cord as shown in fig. A. The lifting handle can now be adjusted to the desired height.

Press the cord together as shown in fig. B and check that the cord is locked in the cord lock by pulling the handle.



Position the lifting pole in such a way that the handle is above the bed. If the lifting pole is used while the handle has been turned away from the bed - the bed can tip when the handle is used.



A

B

Technical part

Invacare® is certified according to DS/EN ISO 9001 and ISO 13485 which ensures that our customers are always supplied with *Invacare*® products of uniform quality.

Throughout the entire production process our materials and products are quality controlled by the operators. Furthermore there is a final test when the product is fully assembled.

The operator carrying out the final test, which comprises of checking all moveable parts, motors/gas springs and castors, issues a QA number on the product thereby confirming its quality.

QA XXX

If the product does not correspond to the quality demands of *Invacare*® it will be discarded.

If, contrary to our expectations, a problem should arise in connection with the delivered product, please contact your *Invacare*® supplier.

3. Information

Please read the entire technical information section carefully before using or servicing the bed. All indications of right and left are based on a patient lying on his back in the bed. Please note that there may be sections in this User's Manual, which are not relevant for your bed.

- The **SB750™** is CE-marked in accordance with directive 93/42/EEC concerning Medical Apparatus.
- The **SB750™** is tested without remarks by HMI according to EN 1970.
- **SB750™** is tested and approved in accordance with NF (Norme Francaise).
- **SB750™** is EMC tested and approved in accordance with EN 60601-1-2:93 by UL Demko.
- The motors and control unit of the **SB750™** are approved according to EN 60601:1996-03.
- **SB750™** has undergone a risk analysis according to EN 14971.

Max. patient weight: 185 kg.

The hand control, control unit and motors are protected according to IP 66.

A lock cam must be used on the control unit - if not, *Invacare*® cannot guarantee the IP protection.



Electromagnetic interference between the bed and other electrical products can occur. To reduce or eliminate such electromagnetic interference, increase the distance between the bed and the products or switch them off.

This medical bed can be used together with medical electrical equipment connected to the heart (intracardially) or the blood vessels (intravascularly), provided that following points are respected:

- The medical bed should be equipped with means for potential equalization connection marked out by a symbol shown in the back of this manual.
- Medical electrical equipment should not be fixed on the bed's metallic accessories such as side rails, lifting pole, drip rod, bed ends ect.

In addition, the medical electrical equipment power supply cord should be kept clear of the accessories or any other moving part of the bed.



Invacare® accepts no liability for any use, change or assembly of the product other than as stated in this User's Manual.

If the functions of the bed change, please send the bed immediately for a check-up according to the maintenance chart, chapter 11.

4. Receiving the SB750™



To avoid condensation, the bed should not be used until it has reached a temperature of 10-50° C.



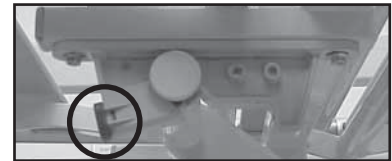
Check whether the bed shows any signs of damage. If the bed is damaged, see terms of delivery.

If the bed has been delivered in parts, it must be assembled.
Cf. chapter 6 “Disassembly/Assembly of the SB750™”.

Check, that the connection between mattress support and base frame is properly locked (cf. the picture).

Check that all plugs of the motors and hand control are correctly connected to the control unit according to the printed symbols.

**Locked pin/
snap lock**



**Unlocked pin/
snap lock**



The bed must have the brakes engaged during nursing of a patient in the bed.



Disconnect the plug from the mains before moving the bed. The cable must be kept clear off the floor and the castors during transport.

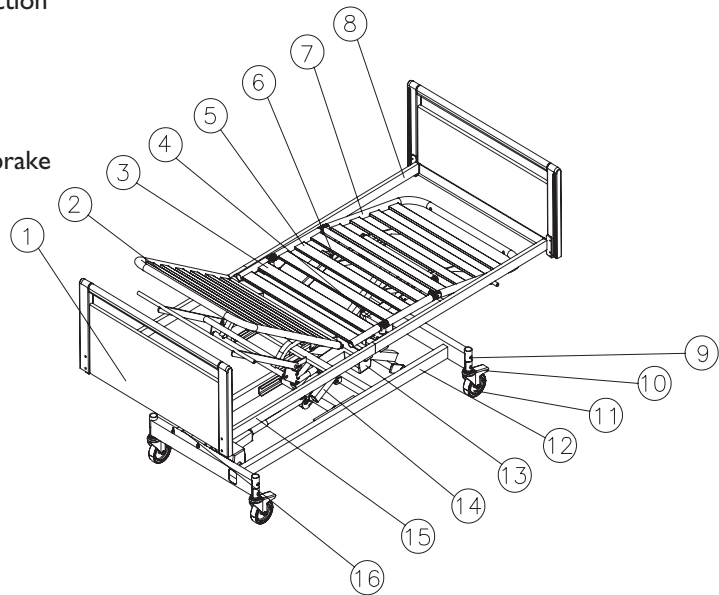
Connect the SB750™ to the mains.

For ergonomic working position: Run the bed to approx. ½ height level.
Cf. chapter 2 “Operation of the SB750™”.

Mount the accessories: Bed ends, side rails, lifting pole and bumper wheel.
Cf. chapter 5 “Fitting the accessories”.

Parts of a standard bed

1. Allen key
2. Backrest
3. Seat section
4. 24 V motor, leg section or gas spring, leg section
5. Thigh section
6. 24 V motor, thigh section
7. Leg section
8. Top frame, foot end
9. Brake pedal for beds provided with central brake
10. Brake for beds provided with brake castors
11. Castor
12. Base frame
13. 24 V motor, backrest
14. Shear arms
15. Top frame, head end
16. Control unit



Accessories

- Battery box
- Fittings
- Bed end
- Wooden side rail
- Steel side rail
- Finger screw
- Lifting pole
- Bumper wheel

Emergency release of the mattress support parts

An emergency release of the mattress support is necessary in the case of e.g. a power- or motor failure. An emergency release of the height adjustment is NOT possible!

- Remove the plug from the mains before emergency release of the mattress support.
- In an emergency the mattress sections are released by pulling out the cotter pin from the motor/gas spring in question.

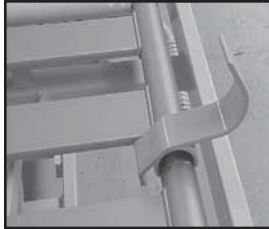


A minimum of 2 persons are required to release a mattress section. Both persons hold the mattress section in locked position. One of them pulls out the cotter pin. Both slowly lower the mattress section until it is completely down.

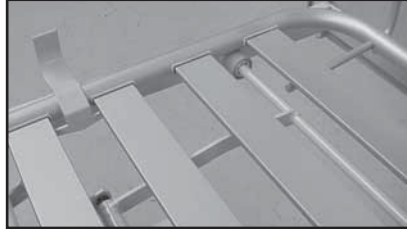
5. Fitting the accessories

The tools necessary for mounting/dismounting the accessories of the **SB750™** are an Allen key and an adjustable wrench. The Allen key is kept on the inside of the cross bar at the head end of the top frame. The Allen key is used for mounting/dismounting all fittings.

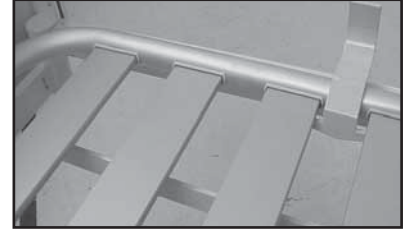
Mounting the mattress retainer



Mattress retainer is squeezed down over the mattress frame.



To be placed between third and fourth lamella on backrest.

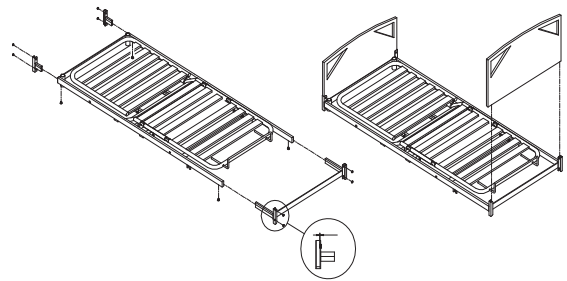


To be placed between third and fourth lamella on leg section.

Mounting the bed end fittings

(If fittings have not been mounted in the factory)

1. Mount the 2 small fittings at the head end and tighten them with the Allen key.
2. Mount the large fittings and the welded fitting at the foot end and tighten them with the Allen key.



Mounting the PIGGY and ODA bed ends

Press the bed end into the U-profiles.

Mounting the FLEX III/KARIN III bed ends

Fasten the bed end to the bed end fittings with the bolts and tighten them with the Allen key.

Mounting the SANNE III bed end

Lift the bed end and place on the fittings at both sides. Push down to click into place.

The locking pin must then be rotated and locked into position. Make sure that the bed end is locked.



Dismounting the SANNE III bed end

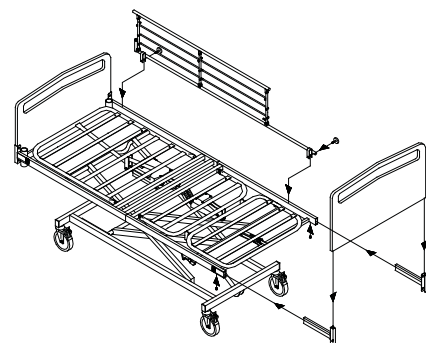
Pull the locking pin out, and turn it halfway.

Repeat at the other end. Pull the bed end up and out.

Mounting/dismounting the steel side rail

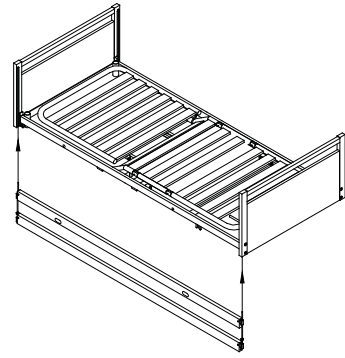
Mounting: Referring to labelling on the side rail
Tighten the side rail with 2 finger screws.

Dismounting: Loosen the finger screws, and remove the steel side rail.



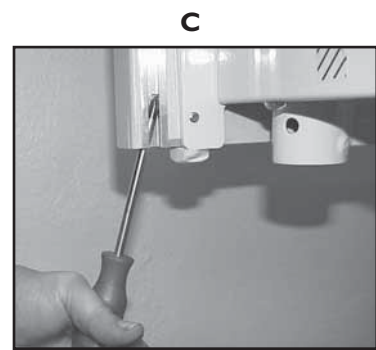
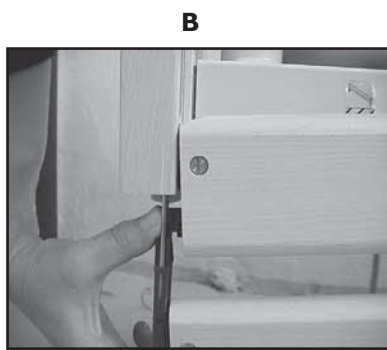
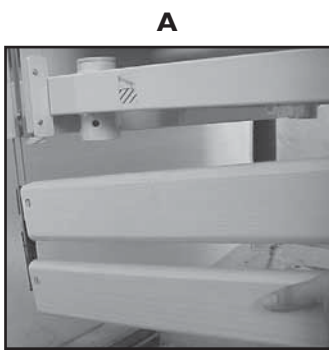
Mounting the BRITT II/III/IV side rail

1. Raise the bed about 1/3.
 2. Remove the protective tape from the locking pins at the ends of the side rail.
 3. Mount one end at a time. Lift the lower wooden bar and guide the metal bow to the bed end rail (A).
 4. Press the locking pin of the side rail with a finger (B).
 5. Guide the side rail to the bed end until the spring support snaps into place and prevents the side rail from falling out of the bed end.
- Repeat points 3 to 5 when mounting the other end of the side rail.



Dismounting the BRITT II/III/IV side rail

1. Raise the bed about 1/3. Lower the side rail.
 2. Dismount one end at a time. Lift the lower wooden bar so that the spring support is visible.
 3. Press the spring support down with a wrench or a screwdriver (C).
 4. Hold the lower wooden bar. Lower the side rail, until the metal bow is free of the bed end rail.
- Repeat points 2 to 4 when dismounting the other end of the side rail.



Fitting the lifting pole

Remove the plastic stopper in the lifting pole tube in which the lifting pole is to be mounted.
Mount the lifting pole - the finger screw must be used.

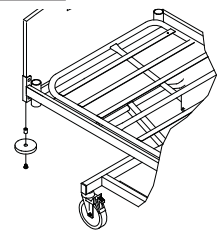
Lifting pole tube with plastic stopper

Finger screw



Fitting the bumper wheel

Mount the bushing in the bumper wheel - and tighten it with a screw under the fitting.
Bumper wheels may not be mounted on SANNE bed ends.

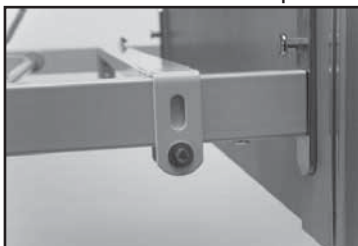


Mounting the limitation crossbar under the leg section

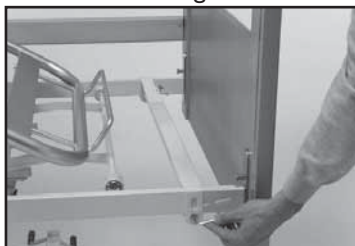
If the bed is used by restless (spasms) or confused persons a limitation cross bar installed under the leg section of the mattress support. This cross bar will prevent the leg section from being lowered below the level of the mattress support, thereby reducing the opening between leg section and bed end.

Raise the leg section of the mattress support and the lifter arm, and mount the limitation crossbar.
Tighten both screws.

The limitation crossbar is placed here



The screws are tightened



Correctly mounted crossbar



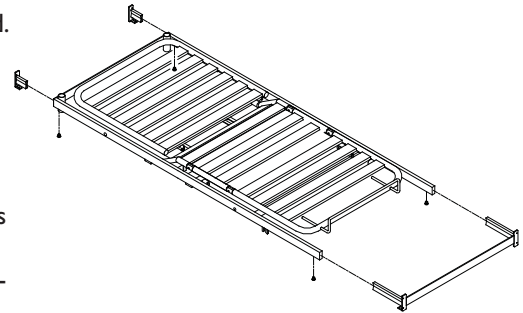
Operating the built-in mattress support extension



Warning! In order to avoid entrapment / suffocation, it is essential to avoid extending the bed ends without extending the mattress support accordingly.
See page 14: Mounting the limitation crossbar under the leg section

The mattress support extension is mounted using the Allen key.
The Allen key is kept on the inside of the cross bar at the head end.

1. Remove the wooden side rails (cf. chapter 5).
2. Remove the 2 screws for fastening the fitting below the side bar by means of the Allen key.
3. Pull out the fitting so that it extends 16 cm, insert the 2 screws again and retighten them.
4. Loosen the 2 screws below the mattress handle on the leg section, pull the handle completely up, and retighten the screws.
5. Insert the mattress support extension.



6. Disassembly/assembly of the SB750™

Disassembly

1. Make sure that the castors have the brakes on.
2. Dismount all accessories.
3. Run the bed to the marked height level so that the cams on the base frame's guide way and the shear arms are opposite each other.
4. Disconnect the power supply.
5. Remove the locking cam from the control unit.
6. Disconnect the plugs of backrest, thigh and leg motors and check that the cables are not caught in the base frame.
7. Remove the 2x2 finger screws in the side bars.
8. Pull the head top frame out of the inserts in the side bars to stop and lower the section onto the floor.
9. Release the 2 lock fittings/snap locks on the foot top frame by pulling out the locking pin and turning it to the right.
10. Lower the foot-section of the top frame and lift it off the base frame.
11. Connect the base frame to the mains again and lower it completely.

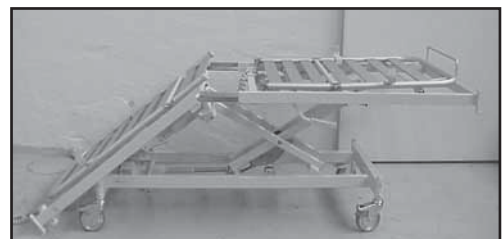
3.



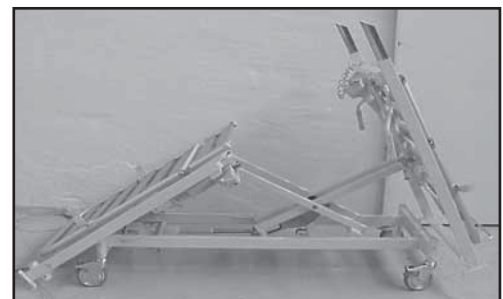
7.



8.

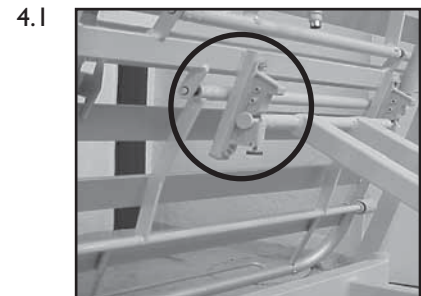


10.



Assembly

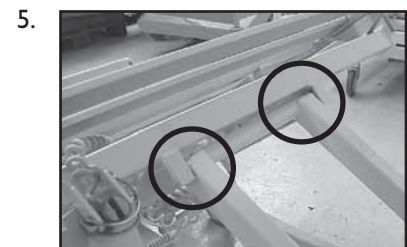
1. Make sure that the castors have their brakes on.
2. Connect the base frame to the mains.
3. Run the bed to the marked height level so that the cams (see picture 3, page 15) on the base frame's guide way and the shear arms are opposite each other.
4. Lift the foot end of the top frame so that the two 2 lock fittings/snap locks fit onto the pins on the shearing arms. (4.1)



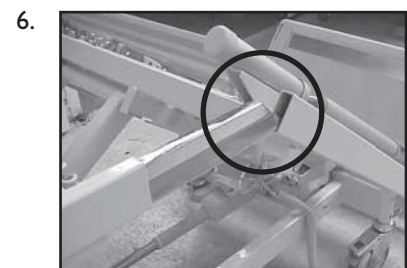
Make sure that the locking pin has clicked into place and is locked (4.2). Then move the foot end of the top frame into horizontal position.



5. Place the head end of the top frame in front of the base frame and lower it down so that the plastic gliders slide into the guide way.



6. Lift the head end of the top frame and push it into the inserts until it stops.



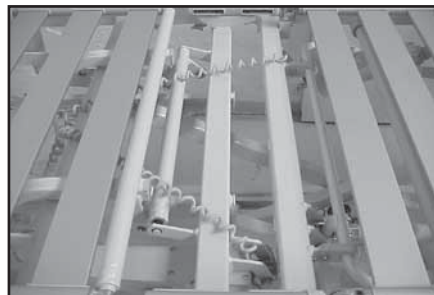
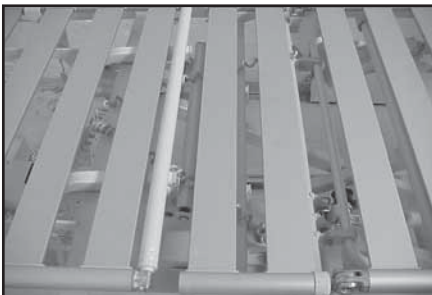
7. Screw the 2x2 finger screws into the side bars.
8. Connect the plugs of the backrest, thigh and leg motors to the control unit, see section 7 regarding wiring.
9. Mount the accessories.



7. Wiring



The wires are mounted from the bottom and through the case of the shaft end of the motor.



Guide the wires under the lamellas.

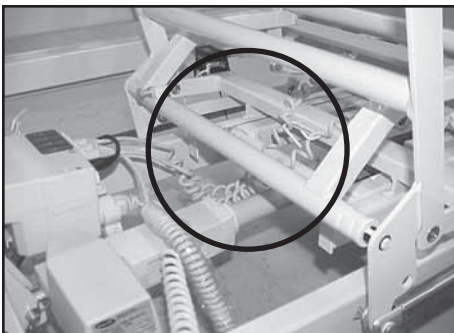


Mount the wires through the cable bow and further to the control unit.

These photos show a bed with 2 motors for the mattress support.

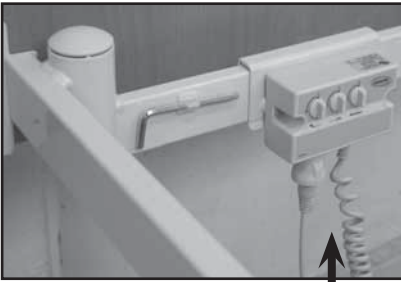
Control the wiring by operating all the motors of the bed to their outer positions.

When all wires have been correctly mounted, there is no squeezing risk of the wires.



It is normal that the wires after short usage loosen a bit.

ACP Box (optional)



The hand control can be locked by activating the switch on the ACP box located in the head end of the bed.
To check if the locking function has been activated, depress a button on the hand control.



Open



Locked



Removal of safety lock

Replacement of hand control fitted to the ACP-Box

The white locking ring on the ACP box is depressed, after which the hand control cable can be removed.

8. Order numbers for accessories

Article	Dimensions	Order no.:
WOODEN BED END		
SANNE III (beech)	85 cm	020429.01
SANNE III (beech)	90 cm	020740.01
SANNE III (beech)	105 cm	021953.01
SANNE III (beech)	120 cm	021954.01
SANNE III (cherry / beech)	90 cm	021956.07
SANNE III, increased and lowered (beech,) *	85 cm	1451258-0101
SANNE III, increased and lowered (beech,) *	90 cm	1451257-0101
SANNE III, increased and lowered (beech,) *	105 cm	1484403-0101
SANNE III, increased and lowered (beech,) *	120 cm	1484404-0101
*) To be used with the LILLI III wooden side rail		
FLEX III (beech)	85 cm	020417.01
FLEX III (beech)	90 cm	020737.01
PIGGY (beech / U-profiles)	85 cm	020431.01
PIGGY (beech / U-profiles)	90 cm	018940.01
ODA (beech / U-profiles)	85 cm	020430.01
ODA (beech / U-profiles)	90 cm	016609.01
Bed ends are available in other versions than the above mentioned - contact <i>Invacare</i> ®		
Side rails		
Scala Basic Metal side rail (foldable)		1432784-1015
Scala Basic Plus Metal side rail (foldable, with plastic insert)		1432787-1015
Scala Medium Metal side rail (foldable)		1432781-1015
Scala Decubi Metal side rail (foldable)		1432793-1015
Metal side rail Model 5539, extended (foldable, with loose finger screws)		50.55390.D0/L+R
BRITT IV wooden side rail (high + 2.5 cm, beech)		1427875-0101
BRITT IV wooden side rail (high + 2.5 cm, cherry)		1427875-0102
BRITT IV wooden side rail (high + 2.5 cm, white pigmented)		1427875-0105
BRITT III wooden side rail (beech)		020434.01
BRITT III wooden side rail, short (beech)		021342.01
BRITT III wooden side rail (cherry)		020434.02
BRITT III wooden side rail, short (white pigmented)		021342.05
BRITT III wooden side rail (white pigmented)		020434.05
BRITT II wooden side rail, extended (beech)		019372.01
BRITT II wooden side rail, extended (cherry)		019372.02
BRITT II wooden side rail, extended (white pigmented)		019372.05
LILLI III wooden side rail (beech)		1433812-0101
LILLI III wooden side rail (cherry)		1433812-0102
LILLI III wooden side rail, extended (beech)		1434044-0101
Covering tubes for mattress support extension		017639.D0
SUPPORT HANDLES		
Support handle	25x30 cm	021964.D0
Support handle	40x50 cm	021963.D0
Support handle	25x80 cm	1417510-1015
Support handle	40x30 cm	1417511-1015
Support handle	40x95 cm	1417512-1015
LIFTING POLE		
Lifting pole		50.57600.D0
LIMITATION CROSSBAR		
Limitation crossbar (prevents the leg section from being lowered below the level of the top frame)		1510820-1015

Article	Dimensions	Order no.:
DRIP		
Drip rod		50.60030.D0
Drip rod (for mounting in lifting pole tube)		50.60910.00
BUMPER WHEELS		
Bumper wheels (one)	75 mm	50.59600.00
Bumper wheels (one)	100 mm	50.59610.00
Bumper wheels (one)	150 mm	50.59640.00
Bumper wheels (one, vertical)	100 mm	50.59630.D0
MATTRESSES		
Dacapo Standard (38 kg/m ³ cold foam, cotton cover)	85x200x10	1421530
Dacapo Standard (38 kg/m ³ cold foam, cotton cover)	90x200x10	1421531
Dacapo Standard (38 kg/m ³ cold foam, cotton cover)	105x200x10	1421532
Dacapo Standard (38 kg/m ³ cold foam, cotton cover)	120x200x10	1421533
Dacapo Basic (38 kg/m ³ cold foam, incontinence cover)	88x200x12	1421551
Dacapo Basic (38 kg/m ³ cold foam, incontinence cover)	83x200x12	1421552
Dacapo Basic (38 kg/m ³ cold foam, incontinence cover)	88x183x12	1421555
Dacapo Basic (38 kg/m ³ cold foam, incontinence cover)	83x183x12	1421556
Dacapo Basic Heavy user (3 coated 50/50/38 kg/m ³ cold foam, incontinence cover)	105x200x15	1484429
Dacapo Basic Heavy user (3 coated 50/50/38 kg/m ³ cold foam, incontinence cover)	120x200x15	1451262
Dacapo Organic (50 kg/m ³ Organic foam, egg tray shape, incontinence cover)	85x200x12	1421572
Dacapo Organic (50 kg/m ³ Organic foam, egg tray shape, incontinence cover)	90x200x12	1421573
Dacapo Combi (2 coated 50/38 kg/m ³ , Visco-elastic/cold foam, incontinence cover)	85x200x14	1421489
Dacapo Combi (2 coated 50/38 kg/m ³ , Visco-elastic/cold foam, incontinence cover)	90x200x14	1421490
Dacapo Square (2 coated 50/38 kg/m ³ , Organic foam/cold foam, incontinence cover)	83x200x14	1421515
Dacapo Square (2 coated 50/38 kg/m ³ , Organic foam/cold foam, incontinence cover)	88x200x14	1421516
Dacapo Top (50 kg/m ³ , Visco-elastic foam, incontinence cover)	85x200x6	1421587
Dacapo Top (50 kg/m ³ , Visco-elastic foam, incontinence cover)	90x200x6	1421588
It is possible to buy custom-fit insertion mattresses for extended beds.		
LOW - SLUNG SET		
Low-slung set with Ø75 mm braking castor		021343.D0
SIDE RAIL COVERS		
Scala Cover for Britt III, IV and Lilli III wooden side rail		1449412
Scala Cover for Britt III wooden side rail, short		1449411
Scala Cover for Britt II and Lilli III wooden side rail, extended		1493565
Scala Cover for Britt III, IV and Lilli III wooden side rail, net		1449413
Scala Cover for Britt II and Lilli III wooden side rail, net, extended		1449415
Scala Cover for metal side rail, Basic		1449423
Scala Cover for metal side rail, increased		1449419
Scala Cover for metal side rail, extended		1449421
Safety Cover for Britt III, IV and Lilli III wooden side rail		1511890
Safety Cover for Britt III wooden side rail, short		1513592
Safety Cover for Britt II and Lilli III wooden side rail, extended		1511892

9. Maintenance and check-ups

Service and maintenance of the **SB750™** must only be performed by personnel who have received the necessary instruction or training.

With normal daily use, service must be carried out according to the service schedule after 2 years use and thereafter every second year.

When moving the bed, service must be carried out according to the service schedule.

When using Flex or Karin bed ends, which are made of a flexible type of wood, it will be necessary to tighten the hexagon head screws at intervals other than described in the service schedule.



Note! The top frame must be supported during service inspections to prevent accidental lowering.

We recommend a safety test comprising the motors' performance and mechanical state once a year.

Motors, hand control and control unit

These parts are serviced by exchanging the faulty part.

10. Beds equipped with accumulator back up

A bed with accumulator back up is equipped with an additional box next to the control unit.

Preventive maintenance

The accumulators have to be exchanged after 4 years. Depending on how the back up is used the exchange may have to take place earlier.

Frequent, sudden discharges reduce the back-up's life.

We recommend the accumulator be tested at least once a year.

Accumulators are not damaged by continuous connection to the mains.



Exchanging the accumulators

Accumulators must be exchanged as sets and replaced with accumulators of the same type or mechanically and electrically compatible accumulators:

The accumulators are delivered as a pair under order no.: 818323 (12V - 1,2 Ah).

Accumulators must be new and charged at least every 6 months for maintenance purposes.

Accumulators in a set must have identical production codes.

Prior to insertion make sure that the accumulator set is correctly connected cf. the drawing (in the accumulator box), and that none of the connections are loose.

Warning

Old or faulty accumulators may generate an explosive gas mixture during charging.

The accumulator box is provided with vents to ensure adequate ventilation of the box.

The vents must not be blocked or covered, as this may result in pressure built-up and the risk of explosion.

Waste disposal

Old accumulators may be returned to *Invacare®*, alternatively they are disposed of like car batteries.

II. Maintenance chart

<p>Service and maintenance of the SB750™ must only be performed by personnel who have received the necessary instruction or training</p> <p>S/N (located on mattress support): _____</p>					
Date:	Initials:				
Circlips, cotter pins and plastic fixing ring checked.					
Screws tightened.					
Weldings checked.					
Side rail locking and moving system tested.					
Castor fittings tightened.					
Castor brakes checked.					
Height adjustment motor checked.					
Back rest motor checked.					
Thigh section motor checked.					
Leg section gas spring/motor checked.					
Lead-in connections correctly suspended and undamaged. Plugs undamaged.					
Damaged coating repaired.					
Lubrication according to the lubrication plan. NB! The wooden side rails' gliding system must not be lubricated with oil - otherwise the wooden bars will move sluggishly.					
Accessories checked.					

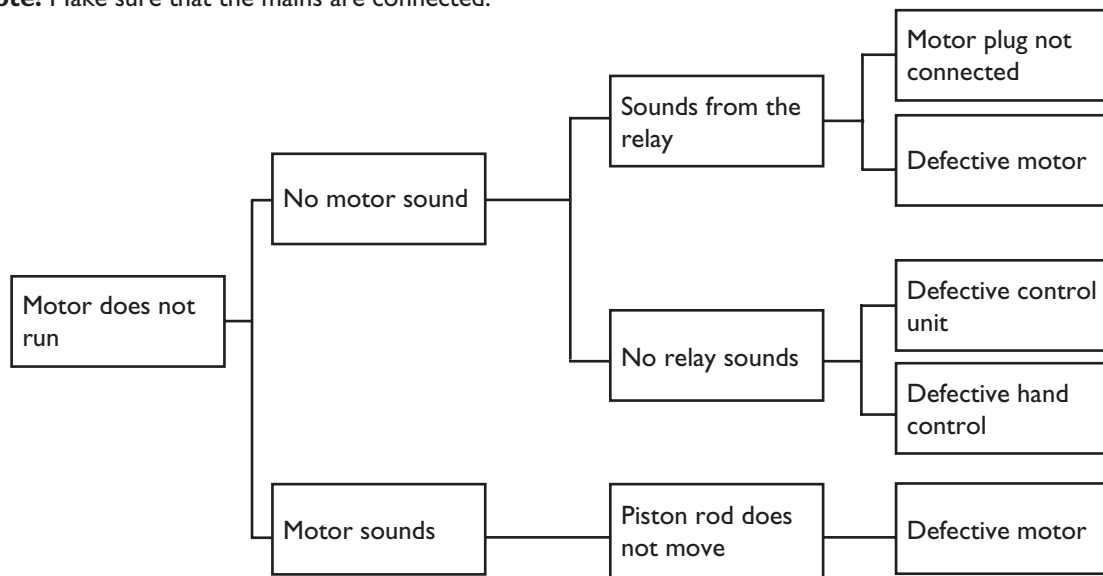
A service contract can be made in the countries, where *Invacare*® has its own sales company.

In certain countries *Invacare*® offers courses in service and maintenance of the **SB750™**.

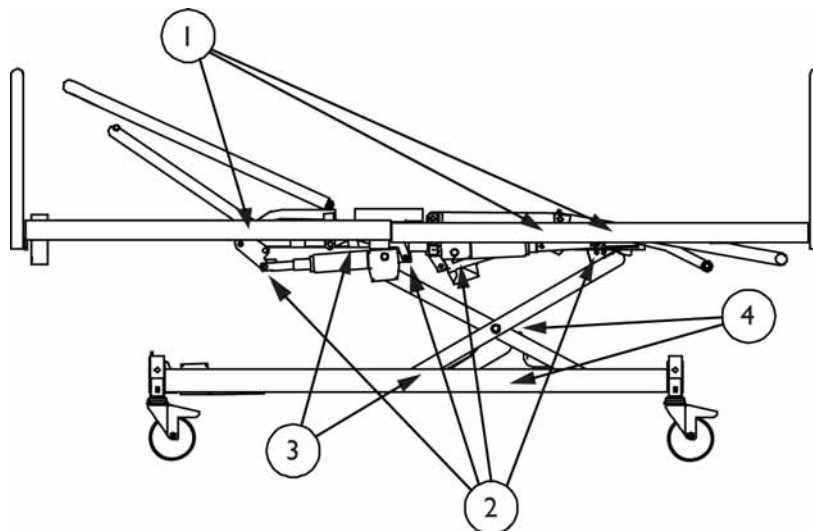
Spare parts lists and additional user manuals are available from *Invacare*®.

12. Trouble-shooting the electrical system

Note! Make sure that the mains are connected.



13. Lubrication plan



We recommend lubricating the **SB750™** according to the following instructions:

1. Lifting arm bearings - lubricate with oil
2. Motor/gas spring bearings - lubricate with oil
3. Gliders and guide ways - lubricate with grease
4. Shear arms and rollers shaft - lubricate with oil/grease

Lubricate with medically clean oil, e.g. KEW-WO 50, order no.: 813239 and grease, order no.: 1497607.

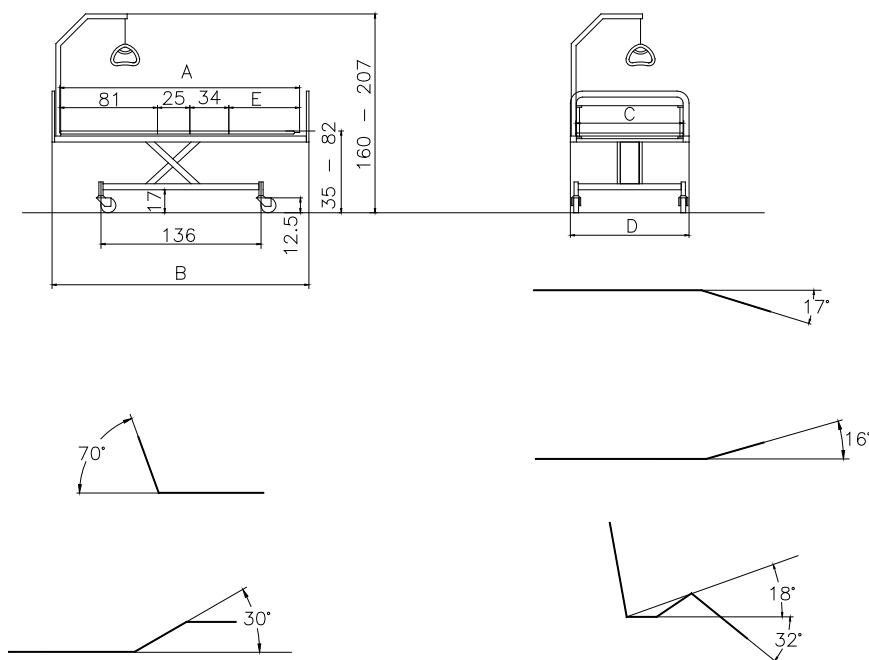
14. Cleaning

The **SB750™** cannot withstand cleaning in washing machines nor flushing with a water jet. Use ordinary disinfecting detergents. Dry the bed after cleaning. Never use acids, alkalines or solvents. Please make sure the power plug is removed from the socket outlet.

The back rest and the leg/thigh sections can be lowered onto the mattress support, which facilitates cleaning and access to the control unit.

Important details for cleaning hand control, control unit and motors IP 66: Always clean with water and brush. Water may be pressurised, but never use high-pressure cleaning or steam cleaning directly on the electrical parts.

15. Technical specifications



WxL	A	B	C	D	E
85x200	200	213	85	95	60
90x200	200	213	90	101	60
85x183	183	196	85	95	43
90x183	183	196	90	101	43
105x200	200	213	105	116	60
120x200	200	213	120	131	60

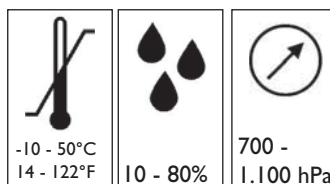
All measurements are stated in cm. All angles are stated in degrees. All measurements and angles are stated without tolerances. *Invacare®* reserves the right to change the stated measurements and angles without warning.

Transportation and storage conditions:

Temperature between -10° and 50° C

Humidity between 10 and 80 % RH

Pressure between 700 and 1.100 hPa



16. Electrical data

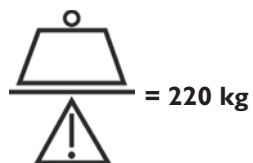
Voltage supply:	230 V AC/50 Hz.
Max. current input:	1,5 A.
Intermittent (periodic use of motors):	10% max. 6 min/h.
Max. accumulator capacity:	1,2 Ah.
Protection class:	IP 66.
Output:	70 VA.
Sound level:	48 dB (A).

Double insulated, class II, type B.

Alternating current: 

Direct current: 

Max. load (SWL)
(Patient + mattress + siderail + lifting pole + other equipment).



The patient is not separated from the ground and the chassis.



Potential equalization.



The control unit has no contact breaker, disconnecting the plug is the only means of interrupting the power supply.

17. Weight

Measurement / Weight	85x200 90x200	105x200	120x200
Top frame, head, with mattress support	25 kg	34 kg	36 kg
Top frame, foot, with mattress support	25 kg	36 kg	39 kg
Base frame	40 kg	40 kg	42 kg
Complete bed, excluding accessories	90 kg	110 kg	117 kg
Bed end (SANNE III/FLEX III/KARIN III)	6 kg/pcs.	7 kg/pcs.	8 kg/pcs.
Wooden side rail (BRITT II/BRITT III)	7 kg/pcs.	7 kg/pcs.	7 kg/pcs.
Wooden side rail (BRITT IV)	8 kg/pcs.	8 kg/pcs.	8 kg/pcs.
Bed end (ODA/PIGGY)	6 kg/pcs.	-	-
Steel side rail	7 kg/pcs.	7 kg/pcs.	7 kg/pcs.
Lifting pole	6,5 kg	6,5 kg	6,5 kg

18. Disposal

This product has been supplied from an environmentally aware manufacturer that complies with the Waste Electrical and Electronic Equipment (WEEE) Directive 2002/96/CE.

This product may contain substances that could be harmful to the environment if disposed of in places (land fills) that are not appropriate according to legislation.

The »crossed out wheelie bin« symbol is placed on this product to encourage you to recycle wherever possible.

Please be environmentally responsible and recycle this product through your recycling facility at its end of life.



Indholdsfortegnelse

Brugerdel	6
1. Generelt	6
2. Betjening af SB750™	7
Teknisk del	10
3. Information	10
4. Ved modtagelse af SB750™ på opstillingsstedet	11
5. Montage af tilbehør	13
6. Adskillelse/samling af SB750™	15
7. Ledningsføring	17
8. Bestillingsnumre på tilbehør	19
9. Vedligehold og eftersyn	21
10. Specielt for senge med akkumulator back-up	21
11. Serviceskema	22
12. Fejlsøgning i det elektriske system	23
13. Smøreskitse	23
14. Rengøring	24
15. Tekniske specifikationer	24
16. Elektriske data	25
17. Vægt	26
18. Bortskaffelse	26

Brugerdel

De har valgt en *Invacare*[®] EC-Høng's **SB750**TM plejeseng.

- Sengen er udviklet til brugere over 12 år til pleje i hjemmet og på plejehjem.
- Sengen forener stabil konstruktion og ergonomisk design med nem adskillelse og betjening.
- Sengen sikrer ved hjælp af et unikt ryglæns-tilbageføringssystem en god liggekomfort for brugeren og ideelle vilkår for plejeren ved nemmere forflytning.

For at optimere liggekomforten anbefaler *Invacare*[®] EC-Høng A/S, at en 12 cm madras anvendes.

I. Generelt



SB750TM opfylder alle krav til maximum afstande. Der må dog gøres opmærksom på, at hvis sengen bliver brugt til mindre personer, er der en risiko for at glide ud igennem åbningerne for enden af sengehestene eller igennem åbningerne imellem sengehestene og liggefladen.



Sengen må ikke bruges af patienter under 12 år eller af patienter, hvis kropsstørrelse svarer til eller er mindre end en gennemsnits 12-årig.



Sengen med sengehest må ikke benyttes af personer, der vejer under 45 kg, er under 150 cm's højde eller er urolige og konfuse, medmindre:

- en faglig vurdering og accept er foretaget, eller
- et korrekt monteret sikkerhedsovertræk til sengehestene bliver anvendt.



Ved brug af sengehest og tilhørende overtræk er det vigtigt, at både sengehest og overtræk monteres som angivet - **i modsat fald er der fare for klemning / kvælning mellem liggeflade, sengehest og gavle.**



Hvis sengen anvendes af urolige eller konfuse personer, kan der med fordel anvendes en ACP-boks, til låsning af håndbetjeningen, og/eller tværprofil til placering under sengens bendel. Denne tværprofil vil så modvirke, at bendelen kan sænkes under overrammens niveau, og dermed mindske åbningen mellem bendel og gavl.



Efterlad altid sengen i laveste position - dermed mindskes effekten af eventuelle faldulykker fra liggefladen.



Invacare[®] påtager sig intet ansvar, hvis produktet anvendes, forandres eller sættes sammen på anden vis end som angivet i denne brugsanvisning.

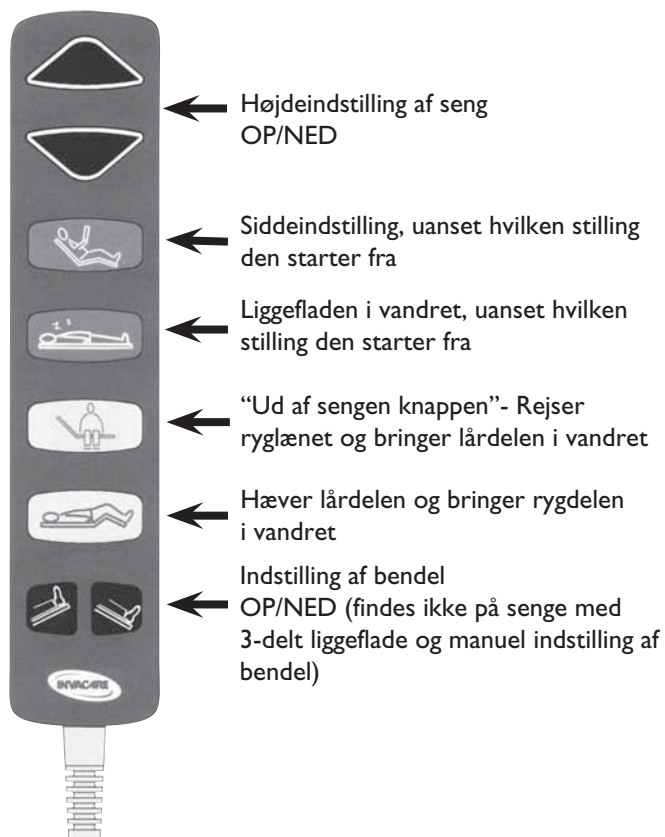


Sengen skal placeres, så højdejusteringen (op/ned) ikke generes af f.eks. personløftere eller møbler. Ellers er der risiko for kvæstelser på bruger og/eller udstyr.

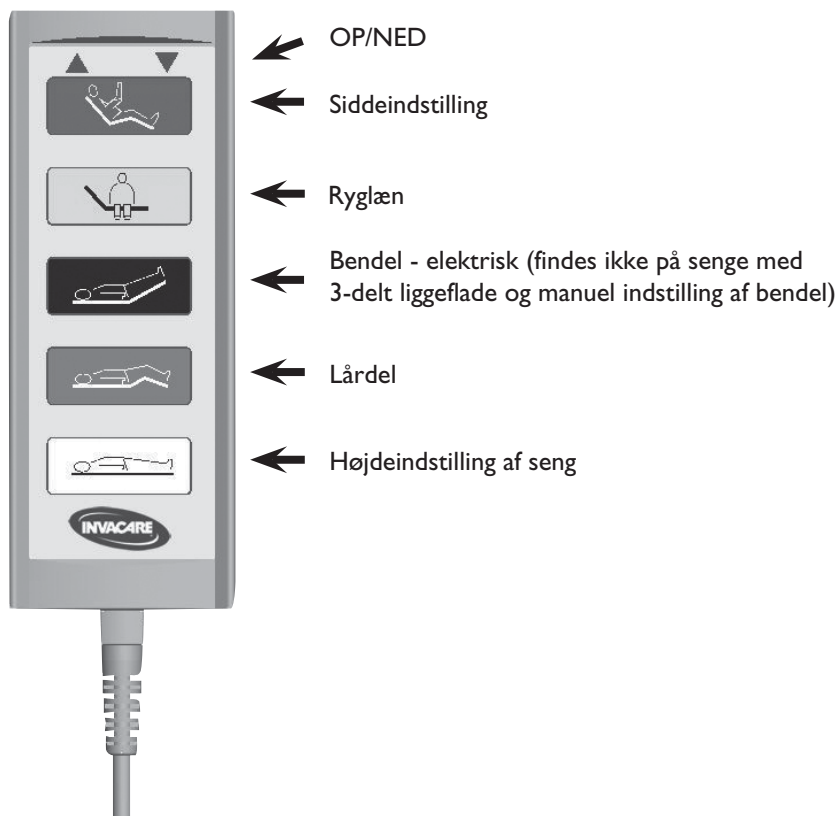
Ved ind- og udstigning af sengen kan sengens højdeindstilling med fordel bruges. Endvidere kan ryglænet anvendes som støtte (gul knap på håndbetjeningen), dog skal sengens lår- og bendel være i horisontalstilling - i modsat fald er der fare for overbelastning af liggefladen.

2. Betjening af SB750™

Sengen kan være udstyret med denne type håndbetjening (**Soft Control**):

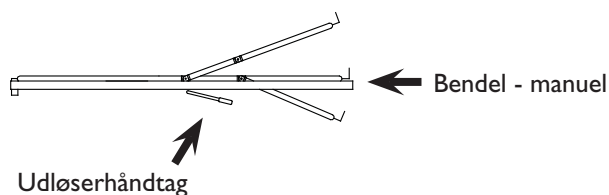


Eller med denne type håndbetjening (**HB 70**):



Betjening af bendel på senge med gas fjedre

Løft i udløserhåndtaget med den ene hånd samtidig med at bendelen hæves til den ønskede stilling med den anden hånd. Slip udløserhåndtaget.



Betjening af bendel på SB750, 120 bred med rastofix

For at hæve bendel: Løft i sengens bendel til ønsket højde.

For at sænke bendel: Løft en smule i sengens bendel og sænk til vandret.



Efterlad **altid** sengen i laveste position. Derved sikres imod klemning ved utilsigtet sænkning af liggefladen. Der kan ske alvorlig skade på person, der opholder sig under sengen, mens sengens højde justeres.

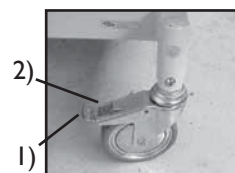
Betjening af bremsehjul

Betjening af hjul uden centralbremse

Når sengen er anbragt det rette sted, skal mindst et hjul i hovedende og et hjul i fodende være bremset.

1) **Brems:** Træd på pedalen.

2) **Udløs bremsen:** Træd på pedalen.



Betjening af hjul med centralbremse

Når sengen er anbragt det rette sted, skal den være bremset.

1) **Brems:** Fra neutral stilling trædes på den røde pedal.

2) **Udløs bremsen:** Træd på den grønne pedal til neutral position.



Betjening af det retningsstyrede hjul

SB750™ med centralbremse kan være udstyret med et retningsstyret hjul.

Det retningsstyrede hjul betjenes fra centralbremsepedalen.

1) **Aktiver retningsstyret:** Fra neutral stilling trædes på den grønne pedal.

2) **Deaktiver retningsstyret:** Træd på den røde pedal til neutral position.

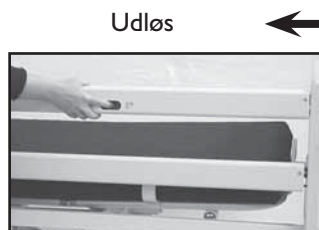
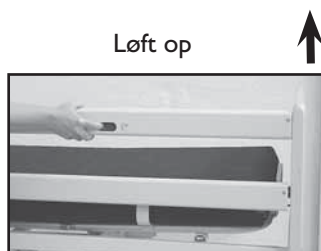
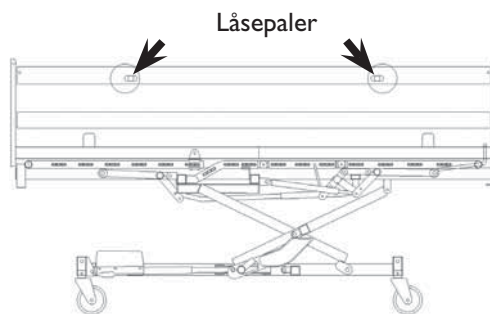
Sengehjulene kan under nogle forhold sætte mærker på enkelte typer gulv - f.eks. ubehandlede eller dårlige trægulve. Hvis der opstår tvivl, anbefaler Invacare® at der lægges en beskyttelsesplade mellem hjul og gulv.

Betjening af BRITT II/III/IV træsengehest

Gavltræet kan være forberedt til, at sengehesten kan låses i halv højde og i topposition. Normalt er der kun mulighed for at låse sengehesten i topposition.

Op: Træk op i øverste træstav til kliklyd høres fra låsepalen.

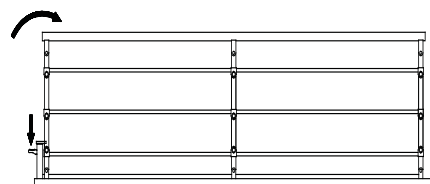
Ned: Løft op i øverste træstav, pres derefter de 2 låsepaler mod hinanden. Sænk sengehesten.



Betjening af metalsengehest

Op: Træk/løft i øverste rør på metalsengehesten - mod den ende, hvor låsesystemet sidder.

Ned: Tryk udløserknappen ned, mens der trækkes i det øverste rør på metalsengehesten - væk fra udløsesystemet.



Der er klemrisiko af fingre ved montage og betjening af metalsengehestene. Det skal sikres, at låsesystemet er gået korrekt ind i greb, ved at trække/skubbe den øverste overligger.

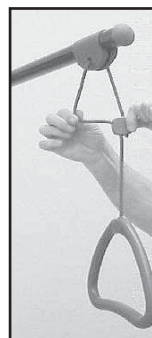
Ændring af galgehåndtagets højde

Snoren løsnes som vist på billede A, hvorefter galgehåndtaget kan justeres til den ønskede højde.

Klem snorene sammen som vist på billede B og kontroller, at snoren er fastlåst i snorlåsen ved at trække ned i galgehåndtaget.



Galgen skal sidde, så galgehåndtaget er inde over sengen. Hvis galgen drejes ud over sengens side - og galgen benyttes - kan sengen vælte.



A



B

Teknisk del

Invacare® er certificeret i henhold til DS/EN ISO 9001 og ISO 13485. Dette sikrer vore kunder, at produkter produceret hos Invacare® altid leveres i en ensartet kvalitet.

Gennem hele produktionen kvalitetkontrolleres vore emner og produkter af operatørerne. Når produktet er færdigmonteret, foretages slutfprøvning.

Operatøren, der foretager denne slutfprøvning - som bl.a. indeholder kontrol af alle bevægelige dele, motorer/gasfjedre og hjul, kvitterer ved at sætte sit personlige QA-nummer på produktet.

QA XXX

Hvis produktet ikke lever op til Invacare® EC-Høng's fastsatte kvalitetskrav, vil produktet blive kasseret.

Skulle der mod forventning opstå problemer med det leverede produkt, bedes henvendelse rettet til Invacare® leverandøren.

3. Information

Læs hele den tekniske del igennem, inden sengen tages i brug eller serviceres.

Al angivelse af højre og venstre forudsætter, at man ligger på ryggen i sengen.

Vær opmærksom på, at der kan forekomme afsnit i denne brugsanvisning, der ikke er relevant for Deres seng.

- **SB750™** er CE-mærket i henhold til Direktiv 93/42/EØF om medicinsk udstyr.
- **SB750™** er testet uden anmærkninger hos HMI i h.t. EN 1970.
- **SB750™** er testet og godkendt i henhold til NF (Norme Francaise).
- **SB750™** er testet og godkendt i henhold til EN 60601-1-2:93 af UL Demko.
- **SB750™** sengens motorer og styring er godkendt jævnfør EN 60601:1996-03.
- **SB750™** har gennemgået risikoanalysen i henhold til EN 14971.
- **SB750™** er klassificeret 18-12-10 i h.t. ISO 9999:2007.

Max. patientvægt: 185 kg.

Styring, håndbetjening og motorer er IP 66 tætnet.

Låsekam skal anvendes på styring, da Invacare® EC-Høng ellers ikke kan garantere for tætheden.



Der kan være risiko for elektromagnetisk påvirkning mellem sengen og andre elektriske produkter. For at mindske eller undgå elektromagnetisk påvirkning skal afstanden mellem sengen og andre produkter øges, evt. skal apparatet afbrydes. Sengen kan benyttes sammen med medicinsk elektrisk udstyr forbundet til hjertet (intracardialt) eller blodbanerne (intravasculart), forudsat at følgende punkter overholdes:

- Sengen skal være forsynet med potentialudligningsklemme (symbolet vist bagerst i denne manual)
 - Det medicinske elektriske udstyr må ikke fastgøres på sengens metalliske udstyr såsom sengehest, galge, transfusionsstativ, gavle o.l.
- Yderligere skal det medicinske elektriske udstyrs netledning holdes fri af udstyret eller sengens bevægelige dele.



Invacare® påtager sig intet ansvar, hvis produktet anvendes, forandres eller sættes sammen på anden vis end som angivet i denne brugsanvisning.

Hvis sengens funktioner ændrer sig, skal den omgående sendes til eftersyn, se "Serviceskema", afsnit 11.

4. Ved modtagelse af SB750™ på opstillingsstedet



Af hensyn til dannelse af kondens må sengen ikke anvendes, før denne har opnået en temperatur på 10-50° C.



Kontroller om sengen er beskadiget. Hvis sengen er beskadiget, se da leveringsbetingelserne.

Hvis sengen leveres adskilt, skal den samles.
Se afsnit 6 "Adskillelse/samling af SB750™".

Kontroller at sammenkoblingen mellem liggeflade og understel er korrekt låst (se illustration).

Kontroller at alle stik til motorer og håndbetjening er korrekt monteret i styringen i henhold til de påtrykte symbolangivelser.

Låst pal/snaplås



Ulåst pal/snaplås



Sengen skal være bremset, når der arbejdes med patient i sengen.



Fjern stikproppen fra stikkontakten inden sengen flyttes.
Ledningen skal holdes fri af gulvet og sengens hjul under transport.

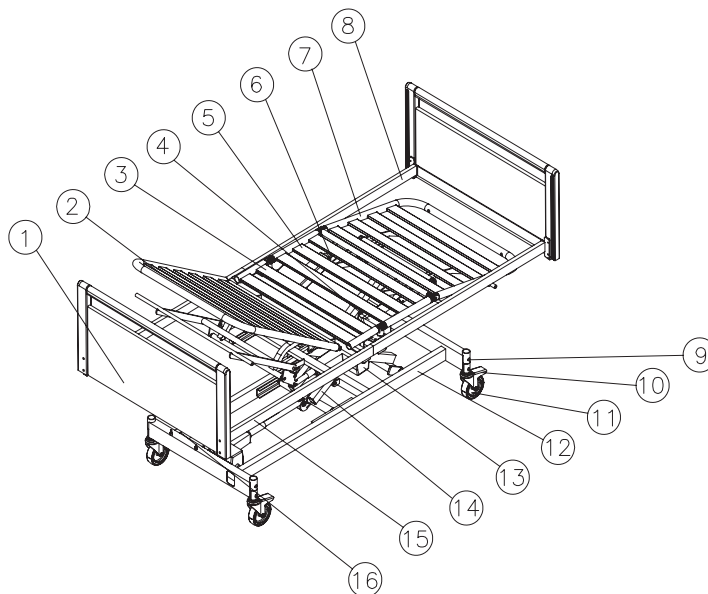
Tilslut SB750™ til netspændingen.

For bedre arbejdsstilling: Kør sengens højde ca. halvt op.
Se afsnit 2 "Betjening af SB750™".

Monter tilbehør: Gavltræ, sengeheste, galge og fenderruller - på sengen.
Se afsnit 5 "Montage af tilbehør".

Standardsengens dele

1. Unbraconøgle
2. Ryglæn
3. Sædedel
4. 24 V motor, bendel eller gasfjeder, bendel
5. Lårdel
6. 24 V motor, lårdel
7. Bendel
8. Overramme-fod
9. Brems pedal, hvis sengen har centralbremse
10. Bremse, hvis sengen har bremsehjul
11. Hjul
12. Understel
13. 24 V motor, ryglæn
14. Saksearme
15. Overramme-hoved
16. Styring



Tilbehør

- Akkumulatorboks
- Gavlbslag
- Gavltræ
- Træsengehest
- Metalsengehest
- Fingerskrue
- Galge
- Fenderrulle

Nødsænkning af liggefladedele

Nødsænkning af liggefladedele kan være aktuel ved f.eks. strøm- eller motorsvigt.

Sengens højdeindstillingsfunktion kan IKKE nødsænkes!

- Stikket fjernes fra netspændingen, inden en liggefladedel nødsænkes.
- Liggefladedelene kan nødsænkes ved at fjerne rørsplitten på den aktuelle motor/gasfjeder.

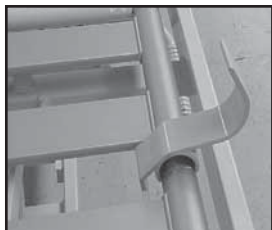


Der skal minimum være 2 personer til at nødsænke en liggefladedel. De 2 personer fastholder liggefladedelen i den låste position. Den ene person trækker rørsplitten ud. Begge personer sænker langsomt liggefladedelen til denne er helt nede.

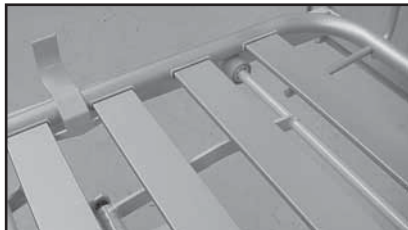
5. Montage af tilbehør

De værktøjer, der skal bruges til montage/demontage af tilbehør på **SB750™**, er henholdsvis en unbraconøgle og en skiftenøgle. Unbraconøglen sidder indvendigt på tværrøret på overramme-hoved. Til montage/demontage af alle typer gavlbeslag anvendes unbraconøglen.

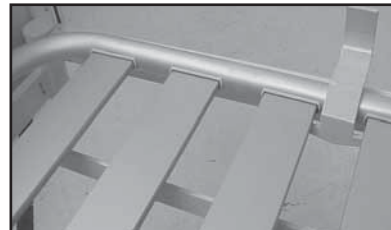
Montage af madrasstyr



Madrasstyr klemmes ned over madrasramme.



Placeres mellem 3. og 4. lamel på ryglæn.

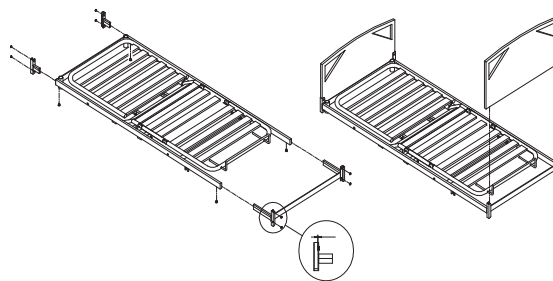


Placeres mellem 3. og 4. lamel på bendel.

Montage af gavlbeslag

(Hvis gavlbeslagene ikke er monteret ved leveringen)

1. Monter de 2 små gavlbeslag i hovedenden – skru fast med unbracoskruer.
2. Monter de store/det sammensvejste gavlbeslag i fodenden – skru fast med unbracoskruer.



Montage af PIGGY og ODA gavltræ

Pres gavltræet ned i U-profilerne.

Montage af FLEX III/KARIN III gavltræ

Fastgør gavltræet til gavlbeslagene med de medfølgende bolte og fastspænd med unbraconøgle.

Montage af SANNE III gavltræ

Løft sengegavlen og hægt den på beslagene i begge sider.

Tryk gavlen ind over tappene på gavlbeslaget. Herefter drejes låsepalen, således at den går i indgreb og fastlåser gavlen. Det skal sikres, at låsepalen er helt inde.



Demontage af SANNE III gavltræ

Træk låsepalen ud og drej den en halv omgang, så den bliver ude.

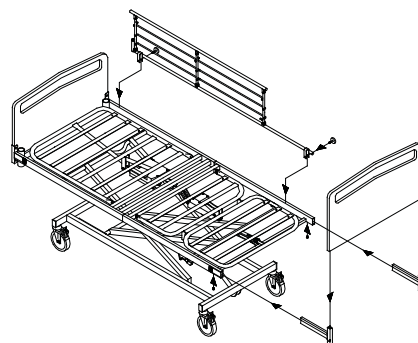
Dette gøres i begge sider. Træk op og ud - og gavltræet er demonteret.

Montage/demontage af metalsengehest

Montage: Monteres iht. mærkning på sengehesten.

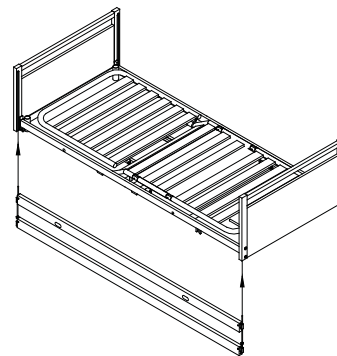
Sengehesten spændes fast med 2 fingerskruer.

Demontage: De to fingerskruer løsnes og metalsengehesten løftes af.



Montage af BRITT II/III/IV sengehest

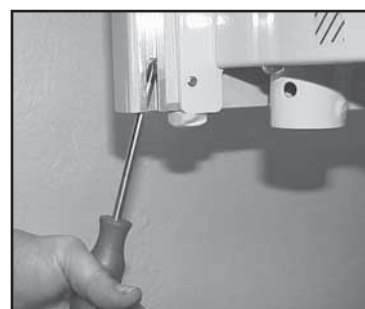
1. Kør sengen ca. 1/3 op.
2. Afmonter beskyttelsestape ved låsepalerne i hver ende af sengehesten.
3. Monter en ende ad gangen. Løft i nederste træstiver og før metalbøjlen op i gavlskinnen (A).
4. Låsepalen på sengehesten trykkes ind med en finger (B).
5. Sengehesten føres op i gavlen indtil fjederpalen i gavlen springer ud og forhindrer sengehesten i at falde ud af gavlen.



Punkterne 3 - 5 gentages ved montage af den anden ende af sengehesten.

Demontage af BRITT II/III/IV sengehest

1. Kør sengen ca. 1/3 op. Sænk sengehesten.
2. Afmonter en ende ad gangen. Løft i nederste træstiver til fjederpalen i gavlen er synlig.
3. Tryk fjederpalen ind med en nøgle eller en skruetrækker (C).
4. Hold om nederste træstiver. Sænk sengehesten indtil metalbøjlen er fri af gavlskinnen.



Punkterne 2 - 4 gentages ved demontage af den anden ende af sengehesten.

Montage af galge

Fjern plastproppen i det galgerør, galgen ønskes monteret i.

Monter galgen - fingerskrue SKAL anvendes.

Galgerør med
plastprop

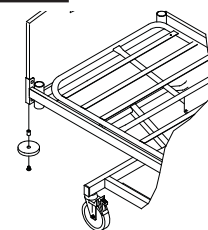
Fingerskrue



Montage af fenderrulle

Monter bøsning i fenderrulle - skru fast under gavlblag med skrue.

Fenderruller kan ikke monteres på SANNE gavltræ.



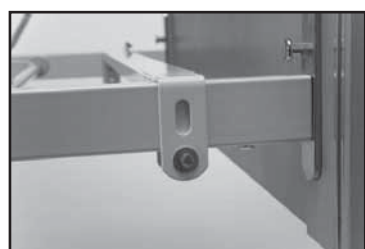
Montage af tværprofil under bendel



Hvis sengen anvendes af urolige eller konfuse personer, kan der med fordel anvendes en tværprofil til placering under sengens bendel. Denne tværprofil vil så modvirke, at bendelen kan sænkes under overrammens niveau, og dermed mindske åbningen mellem bendel og gavl.

Liggefladens bendel løftes op og profilet monteres samt fastspændes som vist.

Bendelsbegrænseren placeres her



Begge skruer spændes



Korrekt monteret
bendelsbegrænsere



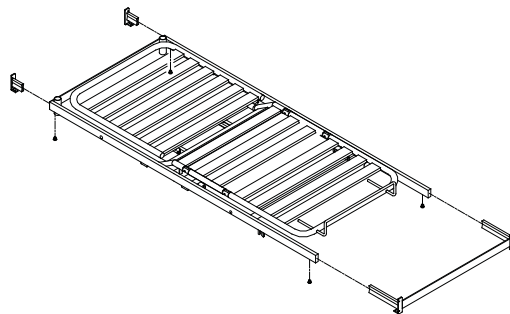
Betjening af indbygget liggefladeforlænger



Advarsel! For at undgå klemning / kvælning, må gavlene aldrig fastgøres i forlænget position uden at liggefladen er forlænget tilsvarende. Se **Montage af tværprofil under bendel**

For at anvende liggefladeforlænger skal unbraconøgle bruges. Unbraconøglen sidder indvendigt på tværrøret i hovedenden.

1. Træsengehesten afmonteres sengen (se afsnit 5).
2. Skru de 2 skruer under siderøret til fastholdelse af gavlbeslaget af ved hjælp af unbraconøglen.
3. Træk gavlbeslaget 16 cm ud, monter og spænd de 2 skruer igen.
4. Løs de 2 skruer, der sidder under madrasstyret på bendelen, træk madrasstyret ud til stop og spænd de 2 skruer igen.
5. Ilæg madrasstykke.



6. Adskillelse/samling af SB750™

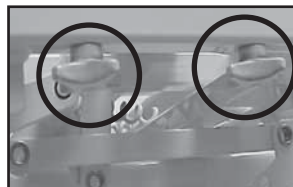
Adskillelse

1. Sørg for at hjulene er bremsset.
2. Afmonter alt tilbehør.
3. Kør sengen til den afmærkede højde, således at "knasterne" på henholdsvis understellets kulisse og saksen er placeret over for hinanden.
4. Tag stikproppen ud af stikkontakten.
5. Fjern beskyttelseskam fra styringen.
6. Afmonter stik fra ryg-, lår- og benmotor og kontroller at kablerne er fri af understellet.
7. Afmonter de 2x2 fingerskruer i siderørene.
8. Træk overramme-hoved ud af indskuddene i siderørene til stop og sænk det ned til gulvet.
9. Udløs de 2 låsebeslag/snaplåse på overramme-fod ved at trække låsepalen ud og dreje den til højre.
10. Vip overramme-fod ned og løft den væk fra understellet. Tag overramme-hoved væk fra understellet.
11. Understellet kan nu tilsluttes netspændingen og køres helt ned.

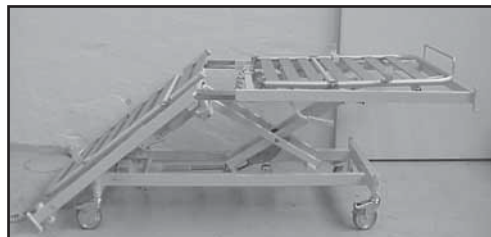
3.



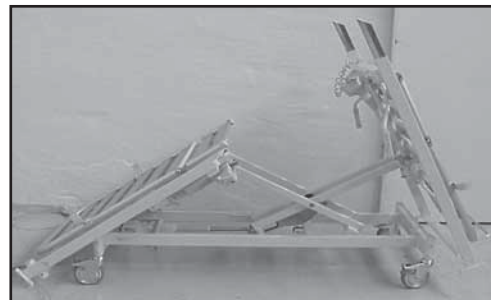
7.



8.



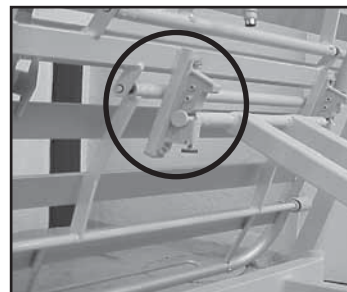
10.



Samling

1. Sørg for at hjulene er bremsset.
2. Tilslut netspænding til understellet.
3. Kør sengen til den afmærkede højde, således at "knasterne" (se illustration 3 på side 15) på henholdsvis understellets kulisse og saksen er placeret over for hinanden.
4. Løft overramme-fod op, således at de to låsebeslag/snaplåse fanger ind i tappene på saksen (4.1).

4.1



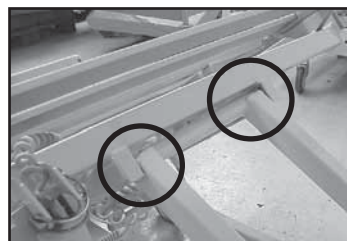
Det skal sikres, at låsepalen er klikket ind og låst (4.2), hvorefter overramme-fod føres til vandret.

4.2



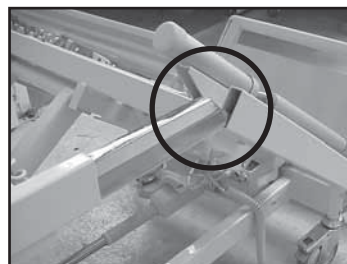
5. Stil overramme-hoved foran understellet og sænk overramme-hoved ned, således at plastgliderne fanger ind i kulissen.

5.



6. Løft overramme-hoved og skub det ind over indskuddene til stop.

6.



7. Skru de 2x2 fingerskruer i siderørene.
8. Monter stik fra ryg-, lår- og benmotor i styringen, se afsnit 7 vedr. ledningsføring.
9. Monter diverse tilbehør.

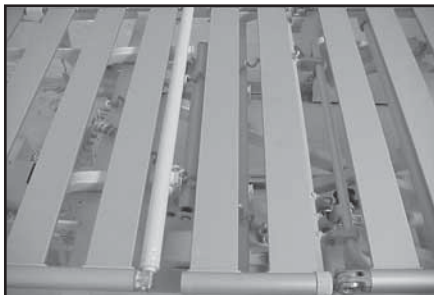
7.



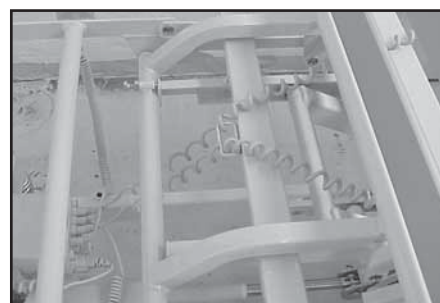
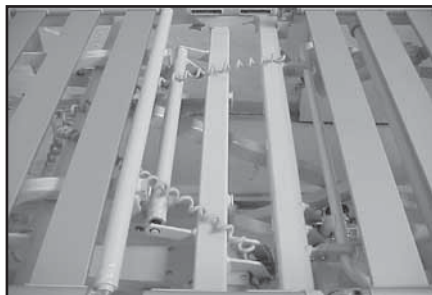
7. Ledningsføring



Ledningerne monteres nedefra og op igennem spor i akselende på motoren.



Ledningerne føres op under lamellerne.

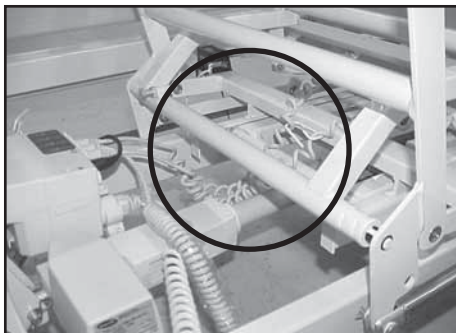


Ledningerne monteres igennem kabelbøjle og videre herfra ned i styringen.

Disse fotos viser en seng med 2 motorer til liggefladen.

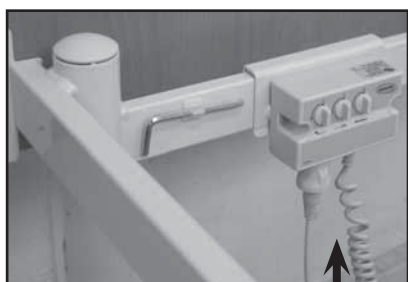
Efter montering kontrolleres ledningsmonteringen ved at køre sengens motorer ud i alle yderpositioner.

Når alle ledninger er korrekt monteret, er der ikke nogen risiko for klemning af ledninger.



Det er almindeligt, at ledningerne efter kort tids brug slappes en smule.

ACP Boks (tilbehør)



Håndbetjeningen kan låses ved at aktivere omskifteren på ACP boksen placeret i hovedenden af sengen.
Det bør kontrolleres om låsefunktionen er aktiveret korrekt ved at betjene håndbetjeningens knapper.



Åben



Låst



Afmontering af låsering

Udskiftning af håndbetjening

Den hvide låsering på ACP boksen trykkes ind hvorefter håndbetjeningens kabel kan trækkes ud.

8. Bestillingsnumre på tilbehør

Varebetegnelse	Dimensioner	Bestillingsnr.:
GAVLTRÆ		
SANNE III (bøg)	85 cm	020429.01
SANNE III (bøg)	90 cm	020740.01
SANNE III (bøg)	105 cm	021953.01
SANNE III (bøg)	120 cm	021954.01
SANNE III (kirsebær / bøg)	90 cm	021956.07
SANNE III, forhøjet og sænket (bøg) *)	85 cm	1451258-0101
SANNE III, forhøjet og sænket (bøg) *)	90 cm	1451257-0101
SANNE III, forhøjet og sænket (bøg) *)	105 cm	1484403-0101
SANNE III, forhøjet og sænket (bøg) *)	120 cm	1484404-0101
*) Benyttes med LILLI III træsengehest		
FLEX III (bøg)	85 cm	020417.01
FLEX III (bøg)	90 cm	020737.01
PIGGY (bøg / U-profiler)	85 cm	020431.01
PIGGY (bøg / U-profiler)	90 cm	018940.01
ODA (bøg / U-profiler)	85 cm	020430.01
ODA (bøg / U-profiler)	90 cm	016609.01
Gavltræ findes i andre udførelser end ovennævnte - kontakt Invacare®		
SENGEHESTE		
Scala Basic Metalsengehest (fældbar)		1432784-1015
Scala Basic Plus Metalsengehest (fældbar med plastindlæg)		1432787-1015
Scala Medium Metalsengehest (fældbar)		1432781-1015
Scala Decubi Metalsengehest (fældbar)		1432793-1015
Metalsengehest 5539, forlænget (fældbar med løse fingerskruer)		50.55390.D0/L+R
BRITT IV træsengehest (højde + 2.5 cm, bøg)		1427875-0101
BRITT IV træsengehest (højde + 2.5 cm, kirsebær)		1427875-0102
BRITT IV træsengehest (højde + 2.5 cm, hvidpigmenteret)		1427875-0105
BRITT III træsengehest (bøg)		020434.01
BRITT III træsengehest, kort (bøg)		021342.01
BRITT III træsengehest (kirsebær)		020434.02
BRITT III træsengehest, kort (hvidpigmenteret)		021342.05
BRITT III træsengehest (hvidpigmenteret)		020434.05
BRITT II træsengehest, forlænget (bøg)		019372.01
BRITT II træsengehest, forlænget (kirsebær)		019372.02
BRITT II træsengehest, forlænget (hvidpigmenteret)		019372.05
LILLI III træsengehest (bøg)		1433812-0101
LILLI III træsengehest (kirsebær)		1433812-0102
LILLI III træsengehest, forlænget (bøg)		1434044-0101
Dækrør ved brug af liggefladeforlænger		017639.D0
STØTTEGREB		
Støttegreb	25x30 cm	021964.D0
Støttegreb	40x50 cm	021963.D0
Støttegreb	25x80 cm	1417510-1015
Støttegreb	40x30 cm	1417511-1015
Støttegreb	40x95 cm	1417512-1015
GALGE		
Galge		50.57600.D0
BENDELSBEGRÆNSER		
Bendelsbegrænser (hindrer, at bendel kan sænkes under overrammens niveau)		1510820-1015

Varebetegnelse	Dimensioner	Best. nr.:
----------------	-------------	------------

TRANSFUSIONSSTATIV

Drop stativ		50.60030.D0
Holder til drop stativ (til montering i galgerør)		50.60910.00

FENDERRULLER

Fenderruller (1 stk.)	75 mm....	50.59600.00
Fenderruller (1 stk.)	100 mm....	50.59610.00
Fenderruller (1 stk.)	150 mm....	50.59640.00
Fenderruller (1 stk., opret stående)	100 mm....	50.59630.D0

MADRASSER

Dacapo Basic (38 kg/m ³ koldskum, inkontinensbetræk)	88x200x12.....	1421551
Dacapo Basic (38 kg/m ³ koldskum, inkontinensbetræk)	83x200x12.....	1421552
Dacapo Basic (38 kg/m ³ koldskum, inkontinensbetræk)	88x183x12.....	1421555
Dacapo Basic (38 kg/m ³ koldskum, inkontinensbetræk)	83x183x12.....	1421556
Dacapo Basic Heavy user (3 lags 50/50/38 kg/m ³ koldskum, inkontinensbetræk)	105x200x15.....	1484429
Dacapo Basic Heavy user (3 lags 50/50/38 kg/m ³ koldskum, inkontinensbetræk)	120x200x15.....	1451262
Dacapo Combi (2 lags 50/38 kg/m ³ , Viskoelastisk/koldskum, inkontinensbetræk)	85x200x14.....	1421489
Dacapo Combi (2 lags 50/38 kg/m ³ , Viskoelastisk/koldskum, inkontinensbetræk)	90x200x14.....	1421490
Dacapo Square (2 lags 50/38 kg/m ³ , Organic skum/koldskum, inkontinensbetræk)	83x200x14.....	1421515
Dacapo Square (2 lags 50/38 kg/m ³ , Organic skum/koldskum, inkontinensbetræk)	88x200x14.....	1421516
Dacapo Top (50 kg/m ³ , Viskoelastisk skum, inkontinensbetræk)	85x200x6.....	1421587
Dacapo Top (50 kg/m ³ , Viskoelastisk skum, inkontinensbetræk)	90x200x6.....	1421588

Til forlængede senge findes mulighed for tilkøb af indskudsmadrasser i tilpassede mål.

LAVBYGNINGSSÆT

Lavbygningssæt med Ø75 mm bremsehjul		021343.D0
--	--	-----------

SENGEHEST BETRÆK

Scala Cover til Britt III, IV og Lilli III træsengehest		1449412
Scala Cover til Britt III træsengehest, kort		1449411
Scala Cover til Britt II og Lilli III træsengehest, forlænget		1493565
Scala Cover til Britt III, IV og Lilli III træsengehest, net		1449413
Scala Cover til Britt II og Lilli III træsengehest, net, forlænget		1449415
Scala Cover til metal side rail, Basic		1449423
Scala Cover til metal side rail, forhøjet		1449419
Scala Cover til metal side rail, forlænget		1449421
Safety Cover til Britt III, IV og Lilli III træsengehest		1511890
Safety Cover til Britt III træsengehest, kort		1513592
Safety Cover til Britt II og Lilli III træsengehest, forlænget		1511892

9. Vedligehold og eftersyn

Service og vedligehold af **SB750™** sengen må kun udføres af trænet/uddannet personale.

Ved normal daglig drift skal service ifølge serviceskema ske efter 2 års anvendelse, derefter hvert andet år.

Ved genanbringelse af sengen bør serviceskema følges.

Ved anvendelse af Flex og Karin gavle som er af blødt materiale, er det nødvendigt at efterspænde 6-kants skrueerne ved anden tidsinterval end angivet i serviceskema.



Bemærk! Overrammen skal understøttes, mens der foretages serviceeftersyn for at hindre utilsigtet sænkning.

Det anbefales at der foretages en kontrol af motorernes arbejdsevne og mekaniske tilstand, 1 gang årligt.

Motorer, håndbetjening og styring

Al service i forbindelse med ovenstående sker ved ombytning/udskiftning af den/de defekte dele.

10. Specielt for senge med akkumulator back-up

Hvis denne seng er udstyret med akkumulator back-up, vil der sidde en ekstra kasse ved siden af styringen.

Forebyggende vedligehold

Akkumulatorerne skal udskiftes senest efter 4 års brug. Eventuelt tidligere afhængigt af brugsmønsteret.

Hyppig og kraftig afladning mindsker levetiden.

Det anbefales at afprøve akkumulatorfunktionen mindst én gang årligt.

Akkumulatorerne tager ikke skade ved kontinuerlig tilslutning til netspændingen.



Udskiftning af akkumulatorer

Akkumulatorerne må kun udskiftes sætvis med originale akkumulatorer eller mekanisk og elektrisk kompatible typer.

Akkumulatorsæt leveres under varenr.: 818323 (12V - 1,2 Ah)

Akkumulatorerne skal være nye eller vedligeholdelsesladede minimum hver 6. måned. Akkumulatorerne, som udgør et sæt, skal være forsynet med identiske produktionskoder.

Inden isætning sikres, at akkumulatorsættet er koblet korrekt sammen - jævnfør tegning (i akkumulatorrummet på styringen) - og at ingen af konnektorerne er løse.

Advarsel

Udtjente eller defekte akkumulatorer kan danne knaldgas ved forsøg på opladning.

Akkumulatorrummet er forsynet med en udluftning, som sikrer en korrekt og nødvendig udluftning af akkumulatorrummet. Denne udluftning må ikke blokeres eller afdækkes, idet der kan opstå overtryk med eksplosionsfare til følge.

Bortskaffelse

Kasserede akkumulatorer kan returneres til Invacare® eller bortskaffes ligesom bilakkumulatorer.

II. Serviceskema

Service og vedligehold af SB750™ må kun udføres af trænet/uddannet personale					
S/N (placeret på liggefladen): _____					
Dato:	Init.:				
Låseringe, rørsplitter og plast-fixeringsring er kontrolleret.					
Skruesamlinger er spændt efter.					
Svejsninger er efterset.					
Sengehestens låse- og bevægelsesystem er afprøvet.					
Hjulfæstigelsen er efterspændt.					
Brems på hjul er kontrolleret.					
Højdereguleringsmotor er kontrolleret.					
Ryglænets motor er kontrolleret.					
Lårdelens motor er kontrolleret.					
Bendelens gasfjeder/motor er kontrolleret.					
Ledningsføringer er korrekt ophængt og ubeskadigede. Stik er ubeskadigede.					
Lakskader er repareret.					
Smøring udført efter smøreskitse. NB! Træ sengehestens glidersystem må ikke smøres med olie, da træstavene vil ellers gå trægt.					
Tilbehør er efterset.					

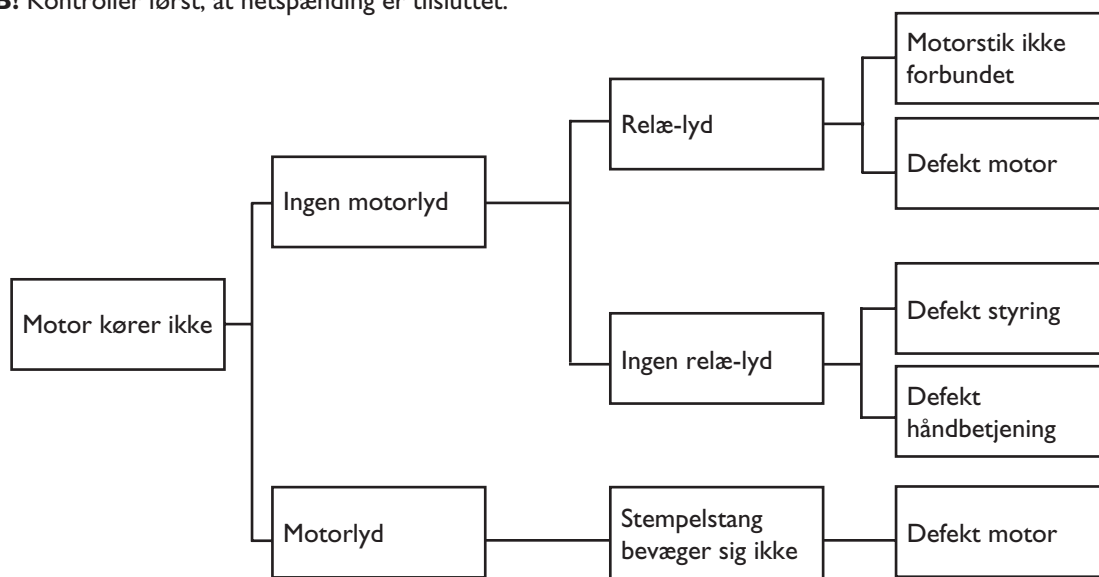
I lande, hvor Invacare® har eget salgsselskab, er der mulighed for at tegne servicekontrakt.

Endvidere kan Invacare® tilbyde kurser i eftersyn og vedligeholdelse af **SB750™**.

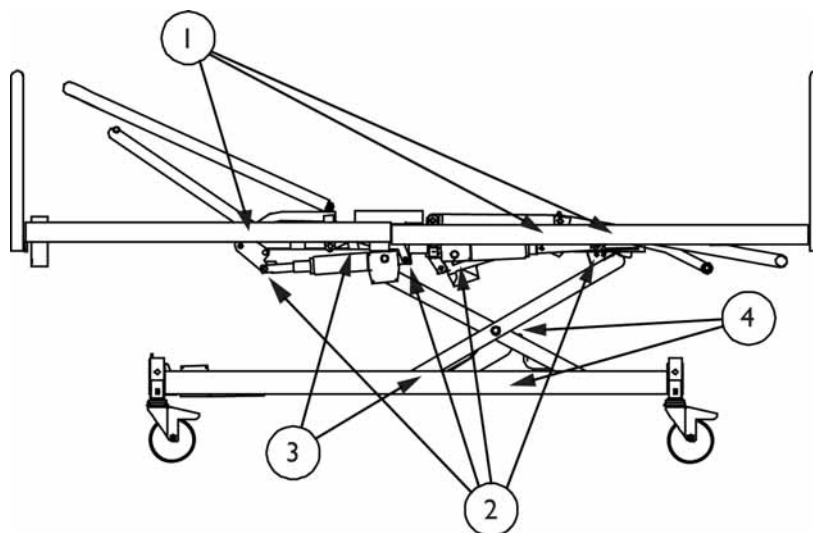
Reservepartsliste og ekstra brugsanvisninger kan rekvireres hos Invacare® EC-Høng.

12. Fejlsøgning i det elektriske system

NB! Kontroller først, at netspænding er tilsluttet.



13. Smøreskitse



Det anbefales at smøre **SB750TM** i henhold til nedenstående plan:

1. Lejer for løftearme - smøres med olie
2. Lejer for motorer/gasfjeder - smøres med olie
3. Glidere og kulisser - smøres med fedt
4. Aksel og ruller for saks - smøres med olie/fedt

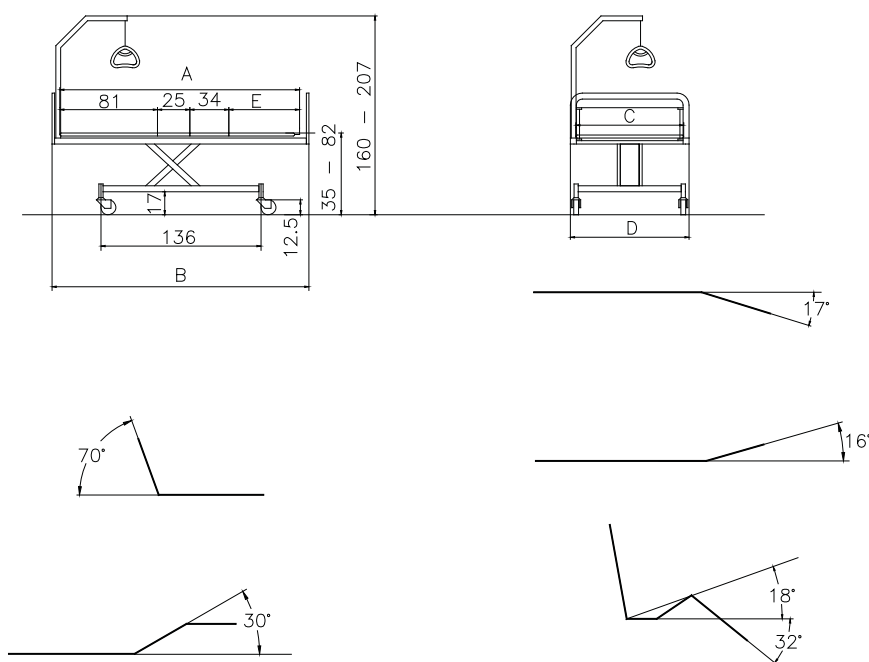
Til smøring anvendes medicinsk ren olie, f.eks. KEW-WO 50, bestillingsnr.: 813239 og fedt, bestillingsnr.: 1497607.

14. Rengøring

SB750™ tåler ikke rengøring i vaskeanlæg eller vandstrålebaseret rengøring. Ved rengøring af sengen anvendes almindelige desinficerende rengøringsmidler. Efter vask aftørres sengen. Brug aldrig syrer, baser eller opløsningsmidler. Sørg for at sengens stikprop er trukket ud af stikkontakten. Sengens ryglæn og ben-/lårdel kan lægges helt frem over liggefladen, hvilket letter rengøring og adgang til styring.

Specielt vedr. rengøring af håndbetjening, styring og motorer IP 66: Vaskes med børste og vand. Vandet må godt være under tryk, men der må ikke spules direkte på eldelene med en højtryksrenser eller damprenser

15. Tekniske specifikationer

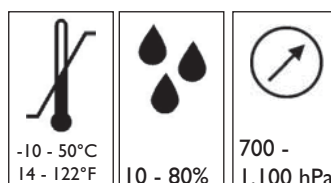


Alle mål er opgivet i cm. Alle vinkler er opgivet i grader.
Alle mål og vinkler er opgivet uden tolerancer.
Invacare® forbeholder sig retten til at ændre på ovenstående mål og vinkler uden forudgående varsel.

WxL	A	B	C	D	E
85x200	200	213	85	95	60
90x200	200	213	90	101	60
85x183	183	196	85	95	43
90x183	183	196	90	101	43
105x200	200	213	105	116	60
120x200	200	213	120	131	60

Transport og opbevarings forhold:

Temperatur mellem -10° og 50° C
Luftfugtighed mellem 10 og 80 % RH
Lufttryk mellem 700 og 1.100 hPa



16. Elektriske data

Tilslutningsspænding:	230 V AC/50 Hz.
Max. strømforbrug:	1,5 A.
Intermittent (periodisk brug af motorerne):	10% max. 6 minutter/time.
Max. akkumulatorkapacitet:	1,2 Ah.
Tæthedsklasse:	IP 66.
Effekt:	70 VA.
Lydtryk:	48 dB (A).

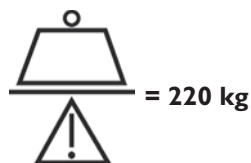
Dobbeltisoleret, klasse II, type B.



Vekselstrøm: 

Jævnstrøm: 

Max. last (SWL)
(Patient + madras + sengehest + galge + evt. andet tilbehør).



Patienten er ikke adskilt fra jord og chassis.



Potentialeudligning.



Styringen har ingen afbryder, hvorfor stikproppen er eneste adskillelse fra netspændingen.

17. Vægt

Mål / Vægt	85x200 90x200	105x200	120x200
Overramme-hoved, med liggeflade	25 kg	34 kg	36 kg
Overramme-fod, med liggeflade	25 kg	36 kg	39 kg
Understel	40 kg	40 kg	42 kg
Samlet seng excl. tilbehør	90 kg	110 kg	117 kg
Gavltræ (SANNE III/FLEX III/KARIN III)	6 kg/stk.	7 kg/stk.	8 kg/stk.
Træsengehest (BRITT II/BRITT III)	7 kg/stk.	7 kg/stk.	7 kg/stk.
Træsengehest (BRITT IV)	8 kg/stk.	8 kg/stk.	8 kg/stk.
Gavltræ (ODA/PIGGY)	6 kg/stk.	-	-
Metalsengehest	7 kg/stk.	7 kg/stk.	7 kg/stk.
Galge	6,5 kg	6,5 kg	6,5 kg

18. Bortskaffelse

Dette produkt er fremstillet af en miljøbevidst producent, som opfylder normerne i Waste Electrical og Electronic Equipment (WEEE) direktiv 2002/96/CE.

Dette produkt kan indeholde stoffer, der kan være skadelige for miljøet, hvis de ikke bortskaffes i henhold til gældende lovgivning.

Symbolet, den »overkrydsede skraldespand«, er placeret på dette produkt for at opfordre til genbrug, hvor det er muligt.

Tag venligst miljøansvar og genbrug dette produkt gennem din lokale genbrugsstation, når dets levetid er omme.



Innehållsförteckning

Brukardel	6
1. Allmänt	6
2. Användning av SB750TM	7
Teknisk del	10
3. Information	10
4. När SB750TM tas emot på uppställningsplatsen	11
5. Montering av tillbehör	13
6. Demontering/montering av SB750TM	15
7. Kabelföring	17
8. Artikelnummer för tillbehör	19
9. Underhåll och kontroll	21
10. Speciellt för sängar med batteri-back-up	21
11. Serviceschema	22
12. Felsökning i det elektriska systemet	23
13. Smörjschema	23
14. Rengöring	24
15. Tekniska specifikationer	24
16. Elektriska data	25
17. Viktuppgifter	26
18. Avfallshantering	26

Brukardel

Lycka till med Ert val av **SB750™**, vårdsängen från *Invacare®* EC-Høng A/S.

- Sängen är utvecklad för vård av brukare över 12 år, i hemmet eller på sjukhem.
- Sängen förenar stabil konstruktion och ergonomisk design med enkel demontering och användning.
- Sängen ger genom ett unikt system för tillbakaföring av ryggstödet en god liggkomfort för brukaren och idealiska villkor för vårdaren vid enklare förflyttning.

För att få optimal liggkomfort rekommenderar *Invacare®* EC-Høng A/S, att en 12 cm-madrass används.

I. Allmänt



SB750™ uppfyller alla krav gällande maximala avstånd mellan sängens olika delar. Om sängen används av småväxta brukare måste speciell hänsyn till att risk finns att brukaren kan komma mellan öppningar i sidogrindar, sängbotten eller eventuella monterade tillbehör.



Sängen bör inte användas av brukare under 12 år eller av brukare vars kroppstorlek motsvarar en 12-åring eller mindre utan att en individuell dokumenterad utprovning sker på eventuella risker.



Sängen, i kombination med sidogrindar bör inte användas av brukare med en kroppsvikt under 45 kg eller en kroppslängd på under 150 cm eller av personer som är oroliga, förvirrade, har spasmer om inte:

- en dokumenterad individuell utprovning/riskanalys har gjorts eller
- att korrekt monterade grindskydd finns eller vid osäkerhet att grindskydd för extra säkerhet finns.



När grindar används tillsammans med grindskydd (för extra säkerhet), är det viktigt att grindskydden monteras korrekt - **annars är det risk att brukare kan fastna/kvävas mellan sängbotten, sidogrind och sängens gavel.**



Om sängen används av oroliga och/eller förvirrade brukare kan en ACP-box användas för att stänga av en eller fler funktioner på manöverdosan. Dessutom kan en begränsningsbygel monteras under sängbottens bendel som förhindrar att bendelen kan sänkas under horisontalplanet och som därmed minskar öppningen mellan bendelen och gaveln.



Tänk på att sängen alltid skall är i sin lägsta position när brukaren lämnas i sängen - detta för att minska skaderiskerna vid eventuellt fall ur sängen eller vid annan händelse.



Invacare® påtar sig inget ansvar, om produkten används, förändras eller monteras ihop på annat sätt än vad som anges i denna bruksanvisning.

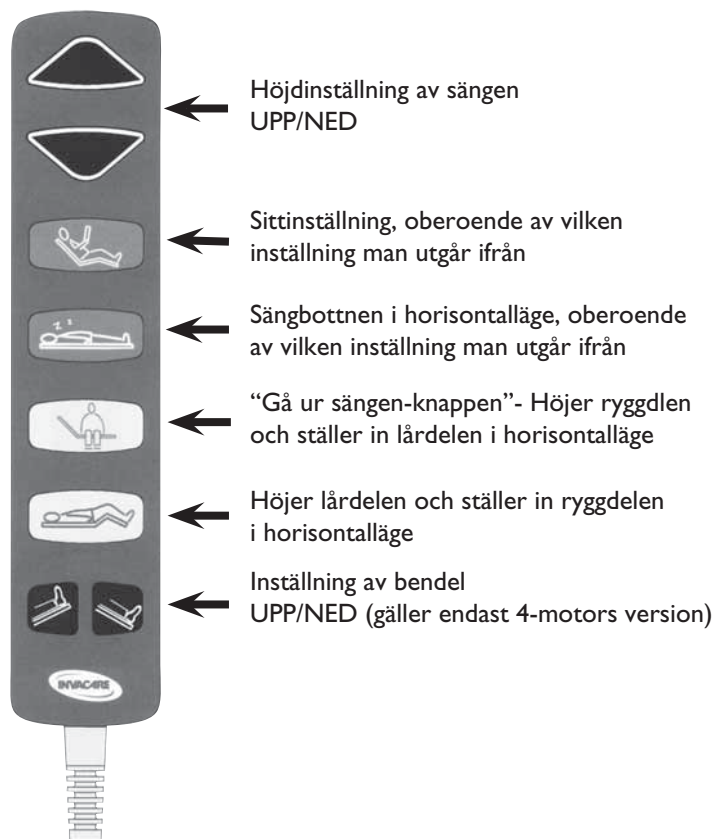


Sängen måste placeras så att höjdmånvreringen (upp/ner) inte blockeras av t ex lyftanordningar eller möbler. Om så sker finns risk att brukaren och/eller utrustningen skadas.

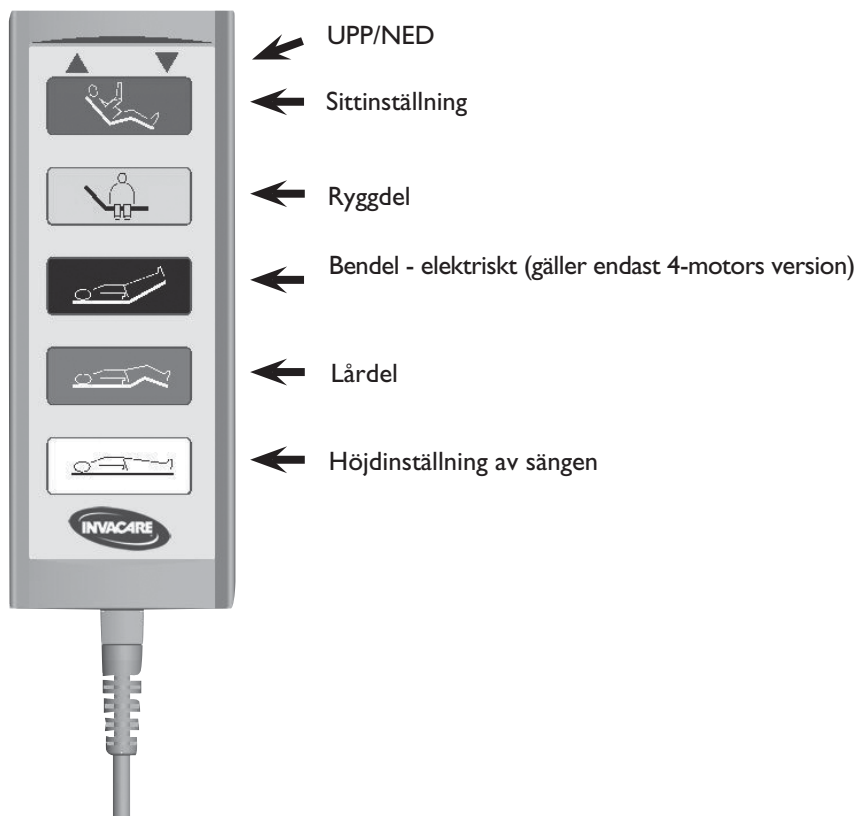
Vid i- och ur-stigning från sängen kan höjdställningsknappen på manöverdosan med fördel användas som hjälp. Dessutom kan ryggstödet användas som extra stöd (gul knapp på manöverdosan), dock skall lår- och ben-del alltid vara i horisontalläge, annars finns risk för överbelastning av sängbottens delar.

2. Användning av SB750™

Alternativt utförande: (Soft Control)

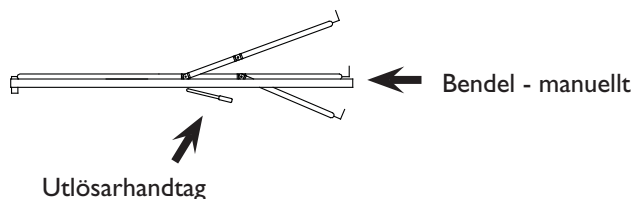


Användning av SB750 med HB 70:



Användning av manuell bendel, 3-motors version.

Lyft i utlösarhandtaget med ena handen samtidigt som bendelen höjs till önskat läge med den andra handen, släpp utlösarhandtaget.



Manövrering av bendel på SB750, 120 cm bred med Rastofix

Upp: Bendelen ställs in genom att den lyfts uppåt till önskad höjd.

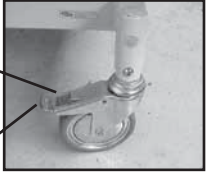

Viktigt: Se till att bendelen fastnar i den höjden.

Ner: Lyft upp bendelen helt och sänk den sedan till horisontalläge.



Lämna **alltid** sängen i lägsta läget. Det skyddar mot klämning vid ofrivillig sänkning av sängbotten. Person som uppehåller sig under sängen, medan sänghöjden justeras, kan skadas allvarligt.

Användning av bromshjul

<p>Bromsning av hjul utan centralbroms När sängen står på önskad plats, måste minst ett hjul i huvudändan och ett hjul i fotändan vara bromsat. 1) Bromsa: Trampa ned pedalen. 2) Lossa på bromsen: Trampa på pedalen.</p>	
<p>Bromsning av hjul med centralbroms När sängen står på önskad plats, måste den vara bromsad. 1) Bromsa: Trampa på den röda pedalen från dess neutralläge. 2) Lossa på bromsen: Trampa på på den gröna pedalen till dess neutralläge.</p>	
<p>Bromsning av hjul med riktningsspärr SB750™ med centralbroms kan vara försedd med hjul med riktningsspärr. Sådana hjul styrs med centralbromspedalen. 1) Aktivera riktningsspärren: Trampa på den gröna pedalen från dess neutralläge. 2) Koppla ur riktningsspärren: Trampa på den röda pedalen till dess neutralläge.</p>	

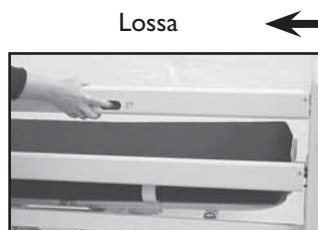
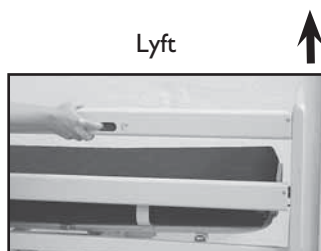
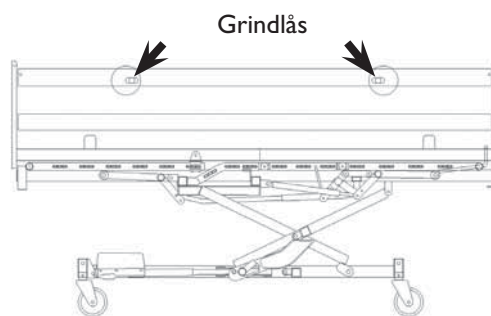
Sängens hjul kan under vissa omständigheter orsaka märken, avtryck på vissa typer av golv. Detta gäller oftast oljebehandlade, obehandlade samt otillräckligt (dåligt) behandlade golv. I osäkra fall rekommenderar *Invacare*® att sängen placeras ovanpå någon form av skydd.

Användning av BRITT II/III/IV sänggrind i trä

Sänggaveln kan vara förberedd för att sänggrinden skall kunna låsas halvvägs upp eller högst upp. Normalt finns bara möjlighet att låsa sänggrinden högst upp.

Upp: Dra uppåt i översta ribban tills ett klickljud hörs från grindlåset.

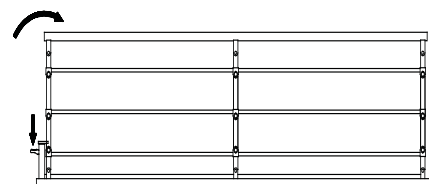
Ned: Lyft uppåt i översta ribban, tryck därefter de 2 grindlåsen motvarandra. Sänk sänggrinden.



Användning av sänggrind i metall

Upp: Dra/lyft i metallsänggrindens översta rör - mot den ända, där låsningen finns.

Ned: Tryck ned utlösarknappen och dra samtidigt i metallsänggrindens översta rör - bort från låsningen.



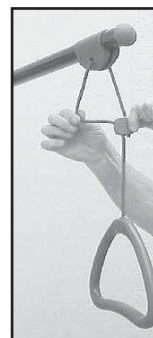
Det finns risk för att fingrarna kläms vid montering och användning av metallsänggrindar. Kontrollera alltid att grindens låssystem gått i lås genom att dra/skjuta i översta ribban.

Lyftbåge - ändring av handtagets höjd

Snöret lossas såsom visas på bild A, varefter handtaget kan justeras till önskad höjd. Tryck ihop snörena såsom visas på bild B och kontrollera att snöret är fastlåst i snörlåset genom att dra nedåt i handtaget.



Lyftbågen skall sitta så att handtaget finns inne över sängen. Om lyftbågen vrids utåt över sängsidan - och lyftbågen används - så kan sängen välta.



A



B

Teknisk del

Invacare® är DS/EN ISO 9001 och ISO 13485-certifierat. Detta garanterar våra kunder att produkter tillverkade hos *Invacare*® alltid håller jämn kvalitet.

Under hela produktionen kvalitetskontrolleras material och produkter av operatörerna. När produkten är färdig monterad görs slutprovning.

Den operatör som gör denna slutprovning, innefattande bl a kontroll av alla rörliga delar, motorer/gasfjädrar och hjul, signerar genom att sätta sitt personliga QA-nummer på produkten.

QA XXX

Om produkten inte motsvarar *Invacare*® fastställda kvalitetskrav, så kasseras produkten.

Om det mot förväntan skulle uppstå problem med den levererade produkten, hänvänd Er till *Invacare*®.

3. Information

Läs igenom hela den tekniska delen innan sängen börjar användas och innan servicearbete utförs på den. Angivelserna »höger« och »vänster« i texten utgår från patientens synpunkt (liggande på rygg i sängen). Observera att det kan förekomma avsnitt i denna bruksanvisning som inte är relevanta för just er säng.

- **SB750™** är CE-märkt enligt direktiv 93/42/EEG om medicinska produkter.
- **SB750™** är testad och godkänd mot EN 1970 utan anmärkningar av HMI, Danmark.
- **SB750™** är testad och godkänd enligt NF (Norme Française).
- **SB750™** är testad och godkänd enligt EN 60601-1-2:93 av UL Demko.
- **SB750™**-sängens motorer och styrning är godkända enligt EN 60601:1996-03.
- **SB750™** har genomgått riskanalys enligt EN 14971.

Max patientvikt: 185 kg.

Styrning, manöverdosa och motorer är isolerade enligt IP 66. Vid IP 66-isolerad elektronik måste spärranordningen på styrningen användas, annars kan *Invacare*® inte garantera tätningen.



Elektromagnetiska störningar mellan sängen och andra elektriska produkter kan uppstå. För att reducera eller eliminera dessa störningar kan avståndet mellan sängen och andra produkter ökas eller kan någon av produkterna stängas av.

Sängen kan användas tillsammans med medicinteknisk utrustning ansluten till hjärta (intracardially) eller till blodkärl (intravascularly), under förutsättning att följande punkter är efterlevs:

- Att sängen är utrustad med potentialutjämningsterminal (se symbol i manualen)
- Att den medicintekniska utrustningen inte monteras på sängens metallram eller på tillbehör av metall.

Dessutom skall den medicintekniska utrustningens nätledning vara fri från utrustningen och sängens rörliga delar.



Invacare® påtar sig inget ansvar, om produkten används, förändras eller monteras ihop på annat sätt än vad som anges i denna bruksanvisning.

Ändrar sig sängens funktioner, så skall den genast sändas in för översyn, se "Serviceschema", kapitel 11.

4. När SB750™ tas emot på uppställningsplatsen



Efter leverans, var uppmärksam på att sängen har uppnått rumstemperatur innan den tas i bruk.



Kontrollera om sängen är skadad. Om sängen är skadad, se leveransbestämmelserna.

Om sängen levereras i delar, skall den monteras ihop. Se kapitel 6 "Demontering/montering av SB750™".

Kontrollera att snäplåsen mellan sängbotten och sänglyft är riktigt låsta (se bilder).

Kontrollera att alla kontakter till motorer och manöverdosa är korrekt monterade i elektroniken enligt de tryckta symbolerna.

Låst snäplås



Ulåst snäplås



Sängen skall vara bromsad vid arbete med patient i sängen.



Ta ut stickproppen ur vägguttaget, innan sängen flyttas. Ledningen skall gå fri från golvet och sängens hjul under transport.

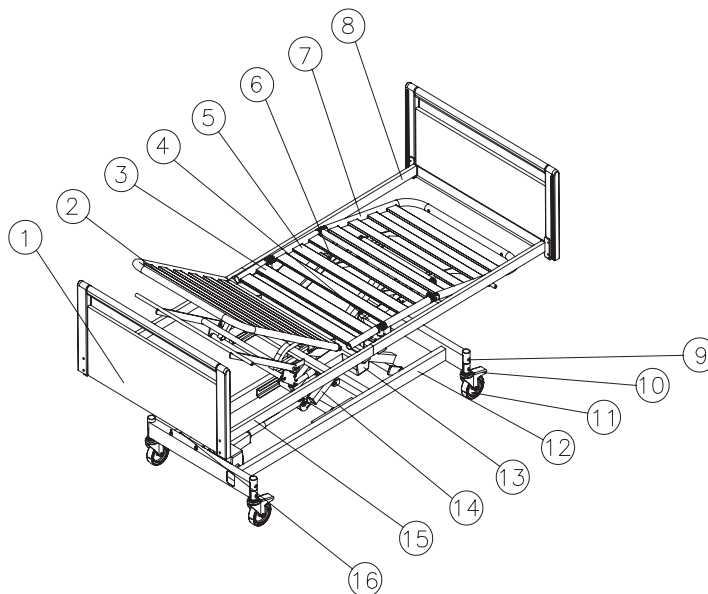
Anslut sängens stickprop till vägguttaget.

För bättre arbetsställning: Kör upp sängen halvvägs. Se kapitel 2 "Användning av SB750™".

Montera tillbehör på sängen: Sänggavlar, sänggrindar, lyftbåge och avvisarhjul. Se kapitel 5 "Montering av tillbehör".

Standardutförande

1. Insexnyckel
2. Ryggstöd
3. Sättesdel
4. 24 V motor, bendl/gasfjäder, bendl
5. Lårdel
6. 24 V motor, lårdel
7. Bendl
8. Sängbotten, bendl
9. Bromspedal, om sängen har centralbroms
10. Broms, om sängen har bromshjul
11. Hjul
12. Sänglyft
13. 24 V motor, ryggstöd
14. Lyftsax
15. Sängbotten, ryggdel
16. Elektronik



Tillbehör

- Batteribox
- Gavelbeslag
- Sänggavel
- Sänggrind i trä
- Sänggrind i metall
- Lyftbåge
- Avvisarhjul
- Stöd/vändhandtag
- Uppresningsstöd
- Trälångsida
- Grindskydd

Nödsänkning av sängbotten

Nödsänkning av sängbottendelarna kan vara aktuell vid t ex strömavbrott eller vid motorfel. Sängens höjdställningsfunktion kan INTE nödsänkas!

- Ta ut stickkontakten ur vägguttaget, före nödsänkning av en sängbottendel.
- Sängbottendelarna kan nödsänkas genom att låsspringen på aktuell motor/gasfjäder tas bort.



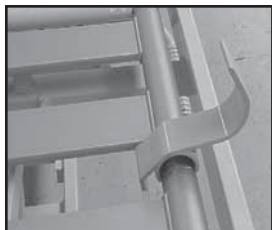
Minst 2 personer behövs för att nödsänka en sängbottendel. Båda håller fast sängbottendelen i låst position. Den ene drar ut låsspringen. Båda sänker långsamt sängbottendelen tills den är helt sänkt.

5. Montering av tillbehör

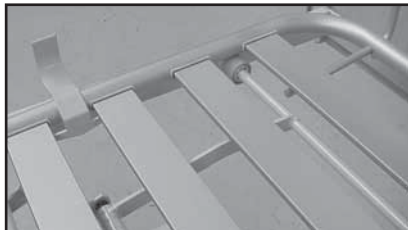
Vid montering/demontering av tillbehör på **SB750™** skall insexnyckel användas. Insexnyckeln sitter på insidan av tvärröret i sängbottens ryggdel.

För montering/demontering av alla sorters gavelbeslag används insexnyckeln.

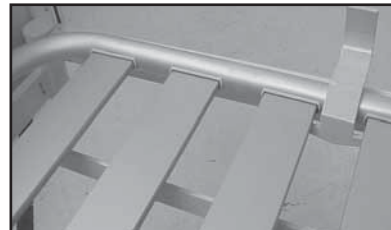
Montering av madrastöd



Madrastödet trycks ned över sängramen.



Placeras mellan 3:e och 4:e lattan på ryggdelen.

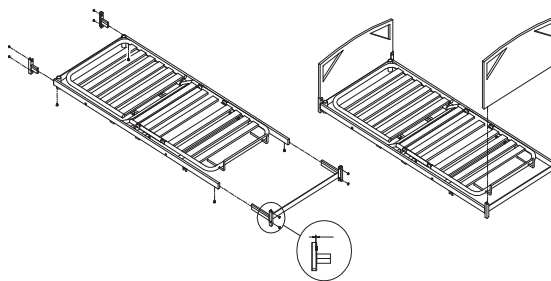


Placeras mellan 3:e och 4:e lattan på bendelen.

Montering av gavelbeslag

(Om gavelbeslagen inte är monterade vid leveransen)

1. Montera gavelbeslagen i huvud- och fotända – skruva fast med insexskruvar.
2. Montera de stora gavelbeslagen/det hopsvetsade gavelbeslaget i fotändan - skruva fast med insexskruvar.



Montering av PIGGY och ODA sänggavel

Tryck ned sänggaveln i u-profilerna.

Montering av FLEX III/KARIN III sänggavel

Fäst sänggaveln vid gavelbeslagen med bifogade möbelskruvar och dra åt med insexnyckel.

Montering av SANNE III sänggavel

Montera gavlarna på hakbeslagen. Se till att snäpplåsen går i lås. Om inte, vrid snäpplåset till dess att låspinnen faller in i låst läge.

Se till att låspinnen är helt inne.



Demontering av SANNE III sänggavel

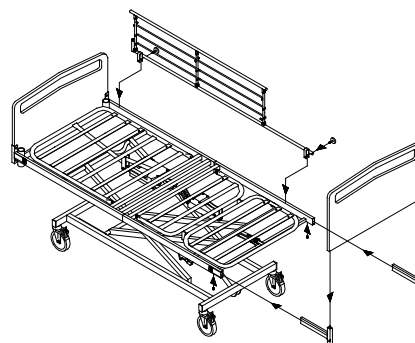
Dra ut låspinnen och vrid den ett halvt varv, tills den är ute.

Gör detta på båda sidor. Dra uppåt och utåt - sänggaveln är demonterad.

Montering/demontering av sänggrind i metall

Montering: Montering skall ske enligt hänvisning på dekalen på sänggrinden. Fäst sänggrinden med 2 vred.

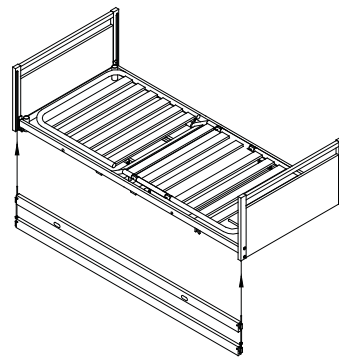
Demontering: Lossa de båda fingerskruvarna och lyft av metallsänggrinden.



Montering av BRITT II/III/IV sänggrind

1. Kör upp sängen ca 1/3.
2. Ta bort skyddstapen vid spärrhakarna på sänggrindens kortsidor.
3. Montera en sida isänder. Lyft i den nedersta träribban och för upp metallbygel i gavelnskenan (A).
4. Tryck in sänggrindens spärrhake med ett finger (B).
5. För upp sänggrinden i gaveln tills spärrhaken klickar i och låser fast sänggrinden i gaveln.

Vid montering av sänggrindens andra sida upprepas punkt 3 – 5.



Demontering av BRITT II/III/IV sänggrind

1. Kör upp sängen ca 1/3. Sänk sänggrinden.
2. Demontera en sida isänder. Lyft i den nedersta träribban något tills den fjäderbelastade låskulan i gavelnskenan syns.
3. Tryck in låskulan med en nyckel eller skruvmejsel (C).
4. Håll i nedersta träribban. Sänk sänggrinden tills metallbygel går fri från gavelnskenan.

Vid demontering av sänggrindens andra sida upprepas punkt 2 – 4.

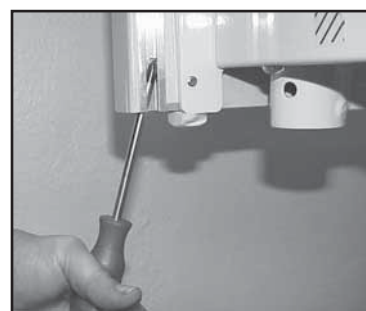
A



B



C



Montering av lyftbåge

Ta bort plastproppen ur det lyftbågerör, som lyftbågen skall monteras i.

Montera lyftbågen – medföljande fingerskruv kan användas för att säkra lyftbågen.

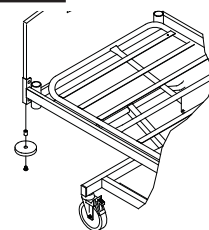
Lyftbågerör
med plastpropp

Fingerskruv



Montering av avvisarhjul

Montera bussning i avvisarhjulet - skruva fast under gavelbeslaget med skruv.
Avvisarhjul kan inte monteras på SANNE sänggavel.



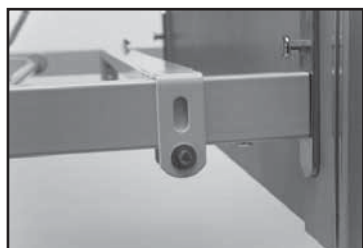
Montering av bendelsbegränsningsbygel



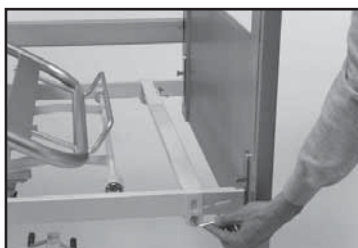
Om sängen används av oroliga och/eller förvirrade brukare kan en begränsningsbygel monteras under sängbottens bendel som förhindrar att bendelen kan sänkas under horisontalplanet och som därmed minskar öppningen mellan bendelen och gaveln.

Fäll upp bendelen och bendelsarmen och montera bendelsbegränsningsbygel.

Placera bygel här



Dra fast båda skruvarna.



Korrekt monterad bendelsbegränsningsbygel.



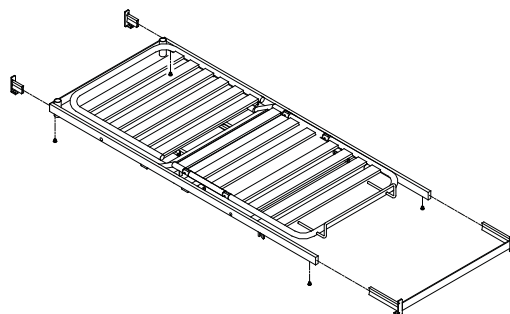
Användning av inbyggd sängförlängningsdel



Varning! För att undvika olycksrisker är det viktigt att vid förlängning av säng även anpassa madrassstöden till sängens förlängning. Se **Montering av bendelsbegränsningsbygel**

Sängförlängningsdelen skall monteras med insexnyckel. Insexnyckeln sitter på insidan av tvärröret i sängens huvudända.

1. Ta bort trägänggrinden (se kapitel 5).
2. Lossa de 2 skruvarna, som sitter under sidoröret för att hålla fast gavelbeslaget, med insexnyckeln.
3. Dra ut gavelbeslaget 16 cm, montera och skruva åt skruvarna igen.
4. Lossa de 2 skruvarna under madrassstödet på bendelen, dra ut madrassstödet till stopp och skruva åt skruvarna igen.
5. Lägg i en madrassbit.



6. Demontering/montering av SB750™

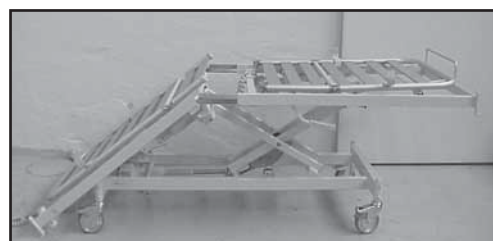
Demontering

1. Se till att hjulen är bromsade.
2. Montera av alla tillbehör.
3. Kör sängen till markerad höjd, så att markeringarna på sänglyften och markeringen på saxen är placerade mot varandra.
4. Ta ut stickproppen ur vägguttaget.
5. Ta bort spärranordningen från elektroniken.
6. Ta ur kontakter från rygg-, lår- och benmotor och kontrollera att ledningarna går fria från sänglyften.
7. Skruva ur de 2x2 vreden i sängramens sidorör.
8. Dra ut sängbottens ryggdel ur insticksrören i sidorören till stopp och sänk ned den till golvet.
9. Lossa de 2 snäpplåsen på sängbottens bendel genom att dra ut spärren och vrida den åt höger.
10. Vicka ned sängbottens bendel och lyft bort den från sänglyften. Ta bort sängbottens ryggdel från sänglyften.
11. Sänglyften kan nu anslutas till vägguttaget och köras ned helt.

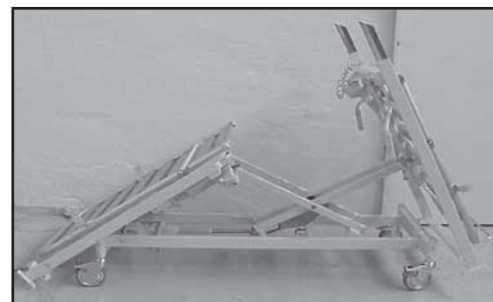
3.



7.



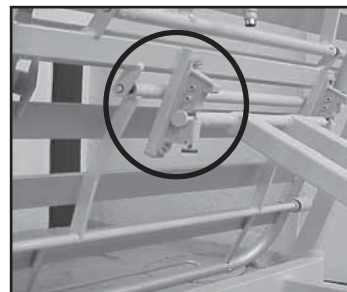
10.



Montering

1. Se till att hjulen är bromsade.
2. Anslut sänglyften till vägguttaget.
3. Kör sängen till markerad höjd, så att markeringarna på sänglyften och saxen är placerade mot varandra, se bild 3, sid. 15.
4. Lyft upp sängbottens bendel, så att de båda snäplåsen tar tag i tapparna på saxen (4.1).

4.1



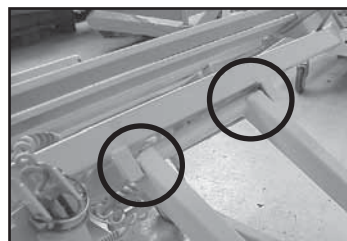
Kontrollera att snäplåsen har klickat in och låst (4.2) varefter sängbottens bendel ställs i vågrätt läge.

4.2



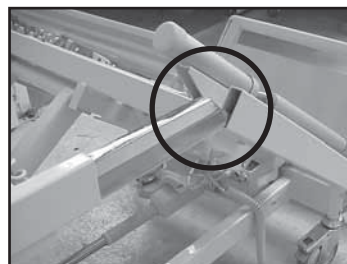
5. Placera sängbottens ryggdel framför sänglyften och sänk ned sängbottens ryggdel, så att glidkutsarna går in i skenan.

5.



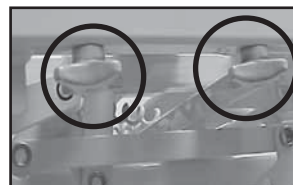
6. Lyft sängbottens ryggdel och skjut in den över insticksrören till stopp.

6.



7. Skruva i de 2x2 vreden i sängramen.
8. Montera ryggdels-, lår- och bendelsmotorernas kontakter i elektroniken, se kapitel 7. Kabelföring.
9. Montera tillbehör.

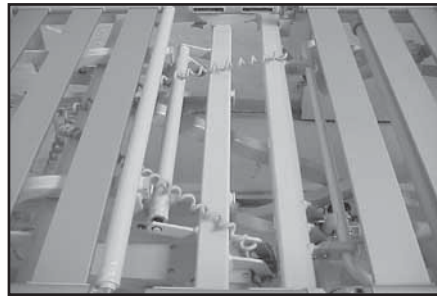
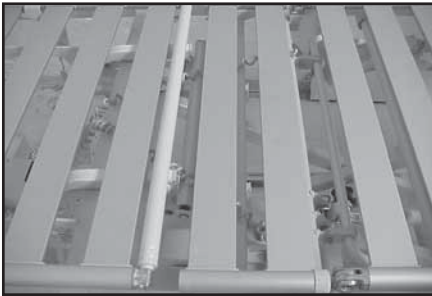
7.



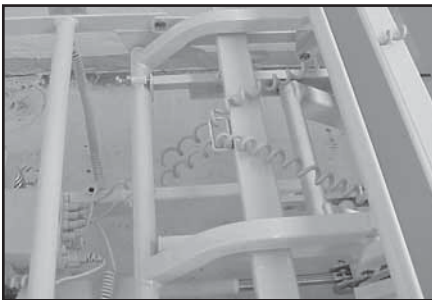
7. Kabelföring



Kablarna monteras nerifrån och upp genom spåren i motoraxeln.



Kablarna förs upp under lattorna.

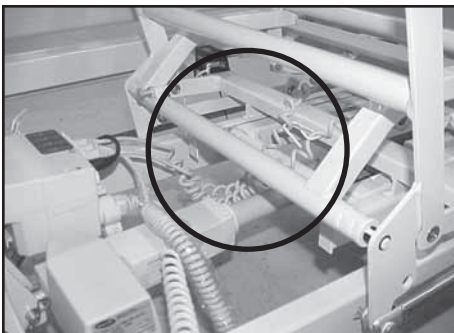


Kablarna monteras genom byglar och vidare ner till elektroniken.

Dessa bilder visar en säng med 2 motorer för sängbotten.

Efter montering skall kabeldragningen kontrolleras genom att köra sängens motorer till deras ytterlägen.

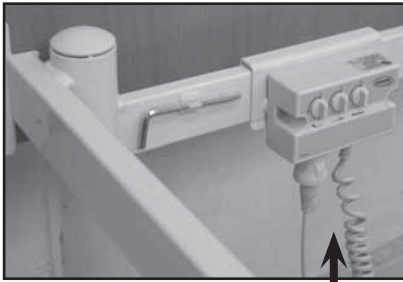
När alla ledningar er korrekt monterade finns ingen risk för att dessa skall komma i kläm.



Kablarna kan efter någon tids användning bli lite utsträckta.

ACP-box (tillbehör)

Funktionslås av olika modeller



Manöverdosans funktion/-er kan låsas genom att aktivera ACP boxens vred. ACP boxen är placerad i huvudändan på sängen. Efter aktivering av ACP boxen kontrolleras att önskad funktion/-er på manöverdosan är låst.



Öppen



Låst



Demontering av låsring

Byte av manöverdosa

Den vita låsringen på ACP boxen trycks in med en lämplig skruvmejsel varefter manöverdosans kontakt kan dras ur. Se bild.

8. Artikelnummer för tillbehör

Benämning	Dimension	Artikelnr.:
SÄNGGAVLAR		
SANNE III (bok)	85 cm	020429.01
SANNE III (bok)	90 cm	020740.01
SANNE III (bok)	105 cm	021953.01
SANNE III (bok)	120 cm	021954.01
SANNE III MIX (körsbär/bok)	90 cm	021956.07
SANNE III, förhöjd och sänkt (bok) *)	85 cm	1451258-0101
SANNE III, förhöjd och sänkt (bok) *)	90 cm	1451257-0101
SANNE III, förhöjd och sänkt (bok) *)	105 cm	1484403-0101
SANNE III, förhöjd och sänkt (bok) *)	120 cm	1484404-0101
*) Används med LILLI III sänggrind		
FLEX III (vitpigmenterad bok, 2 st.)	85 cm	020417.05
FLEX III (vitpigmenterad bok, 2 st.)	90 cm	020737.05
FLEX III (bok)	85 cm	020417.01
FLEX III (bok)	90 cm	020737.01
KARIN hög / FLEX III (bok)	85 cm	021386.01
KARIN hög / FLEX III (bok)	90 cm	021389.01
KARIN låg / FLEX III (bok)	85 cm	021385.01
KARIN låg / FLEX III (bok)	90 cm	021388.01
PIGGY (bok / U-profiler)	85 cm	020431.01
PIGGY (bok / U-profiler)	90 cm	018940.01
ODA (bok / U-profiler)	85 cm	020430.01
ODA (bok / U-profiler)	90 cm	016609.01
Täckrör för sängbottenförlängning		017639.D0
Gavlarna finns i andra utförande än ovan - kontakta <i>Invacare</i> ®		
SÄNGGRIND		
Scala Basic Sänggrind i metall (fällbar)		1432784-1015
Scala Basic Plus Sänggrind i metall (fällbar med plastinlägg)		1431787-1015
Scala Medium Sänggrind i metall (fällbar)		1432781-1015
Scala Decubi Sänggrind i metall (fällbar)		1432793-1015
Sänggrind i metall 5539, förlängd (fällbar med löst vred)		50.55390.D0/L+R
BRITT IV sänggrind (höjd + 2.5 cm, bok)		1427875-0101
BRITT IV sänggrind (Höjd + 2.5 cm, körsbär)		1427875-0102
BRITT IV sänggrind (Höjd + 2.5 cm, vitpigmenterad)		1427875-0105
BRITT III sänggrind (bok)		020434.01
BRITT III sänggrind, kort (bok) Juniorsäng 180 cm		021342.01
BRITT III sänggrind (körsbär)		020434.02
BRITT III sänggrind, kort (vitpigmenterad)		021342.05
BRITT III sänggrind, (vitpigmenterad)		020434.05
BRITT II sänggrind, förlängd 15 cm (bok)		019372.01
BRITT II sänggrind, förlängd 15 cm (körsbär)		019372.02
BRITT II sänggrind, förlängd 15 cm (vitpigmenterad)		019372.05
LILLI III sänggrind (bok)		1433812-0101
LILLI III sänggrind (körsbär)		1433812-0102
LILLI III sänggrind, förlängd (bok)		1434044-0101
BEGRÄNSNINGSBYGLAR		
Bendelsbegränsningsbygel (bygeln förhindrar bendelsarmen/bendelen att sjunka under horisontalplanet)		1510820-1015

Benämning	Dimension	Artikelnr.:
------------------	------------------	--------------------

DROPP

Dropptäll		50.60030.D0
Beslag till dropptäll (för montering i lyftbågrör)		50.60910.00
Beslag för sängsida		50.59570.00

AVVISARHJUL

Avvisarhjul (1 st.)	75 mm....	50.59600.00
Avvisarhjul (1 st.)	100 mm....	50.59610.00
Avvisarhjul (1 st.)	150 mm....	50.59640.00
Avvisarhjul (1 st., stående)	100 mm....	50.59630.D0

MADRASSER

Madrassförlängningsdel	85x15x10 cm.....	1485491
Madrassförlängningsdel	90x15x10 cm.....	1485634
Madrassförlängningsdel (hygien)	83x15x12 cm.....	1415743
Madrassförlängningsdel (hygien)	88x15x12 cm.....	1415744

Dacapo Standard (38 kg/m ³ kallskum, bomullsöverdrag)	85x200x10.....	1421530
Dacapo Standard (38 kg/m ³ kallskum, bomullsöverdrag)	90x200x10.....	1421531
Dacapo Standard (38 kg/m ³ kallskum, bomullsöverdrag)	105x200x10.....	1421532
Dacapo Standard (38 kg/m ³ kallskum, bomullsöverdrag)	120x200x10.....	1421533

Dacapo Basic (38 kg/m ³ kallskum, inkontinensöverdrag)	88x200x12.....	1421551
Dacapo Basic (38 kg/m ³ kallskum, inkontinensöverdrag)	83x200x12.....	1421552
Dacapo Basic (38 kg/m ³ kallskum, inkontinensöverdrag)	88x183x12.....	1421555
Dacapo Basic (38 kg/m ³ kallskum, inkontinensöverdrag)	83x183x12.....	1421556
Dacapo Basic Heavy user (3-skikt 50/50/38 kg/m ³ kallskum, inkontinensöverdrag)	105x200x15.....	1484429
Dacapo Basic Heavy user (3-skikt 50/50/38 kg/m ³ kallskum, inkontinensöverdrag)	120x200x15.....	1451262

Dacapo Organic (50 kg/m ³ Waterlilly-skum, bubbeltyp, inkontinensöverdrag)	85x200x12.....	1421572
Dacapo Organic (50 kg/m ³ Waterlilly-skum, bubbeltyp, inkontinensöverdrag)	90x200x12.....	1421573

Dacapo Combi (2-skikt 50/38 kg/m ³ , viskoelastiskt/ kallskum, inkontinensöverdrag)	85x200x14.....	1421489
Dacapo Combi (2-skikt 50/38 kg/m ³ , viskoelastiskt/ kallskum, inkontinensöverdrag)	90x200x14.....	1421490

Dacapo Square (2-skikt 50/38 kg/m ³ , Waterlilly-skum, kallskum, inkontinensöverdrag)	83x200x14.....	1421515
Dacapo Square (2-skikt 50/38 kg/m ³ , Waterlilly-skum, kallskum, inkontinensöverdrag)	88x200x14.....	1421516

Dacapo Top (50 kg/m ³ , viskoelastiskt skum, inkontinensöverdrag)	85x200x6.....	1421587
Dacapo Top (50 kg/m ³ , viskoelastiskt skum, inkontinensöverdrag)	90x200x6.....	1421588

Vid förlängning av sängen finns förlängningsbitar i passande mått.

GRINDSKYDD

Grindskydd Scala polstrad till Britt III, IV och Lilli III	1449412
Grindskydd Scala polstrad till Britt III, kort (183 cm)	1449411
Grindskydd Scala polstrad till Britt II och Lilli III, förlängd 15 cm	1493565

Grindskydd Scala nät till Britt III, IV och Lilly III	1449413
Grindskydd Scala nät till Britt II och Lilli III, förlängd 15 cm	1449415

Grindskydd Scala polstrad till metallgrind Basic / Basic Plus	1449423
Grindskydd Scala polstrad till metallgrind Medium / Decubi	1449419
Grindskydd Scala polstrad till metallgrind förlängd Basic / Basic Plus	1449421

Grindskydd Extra säkerhet polstrad till Britt III, IV och Lilli III	1511890
Grindskydd Extra säkerhet polstrad till Britt III, kort (183 cm)	1513592
Grindskydd Extra säkerhet polstrad till Britt II och Lilli III, förlängd 15 cm	1511892

9. Underhåll och kontroll

Service och underhåll av **SB750™** får endast utföras av kunnig/utbildad personal.

Vid normal daglig drift skall service enligt serviceschema ske efter 2 års användning, därefter vartannat år.

Vid rekonditionering av sängen bör serviceschema följas.

Tänk på att trä är ett mjukt material, vid användning av Flex och Karin gavlar kan dess insexskruvar behöva efter dras vid andra tidsintervall än ovan.

Efter 4 års normal användning byts/smörjs rullar vid kilen, position 4 + 5 på smörjschema.



Observera! Sängramen skall stötts medan service utförs för att förhindra oavsiktlig sänkning.

Vi rekommenderar att motorerna kontrolleras en gång per år avseende mekaniskt tillstånd.

Motorer, manöverdosa och elektronik

All service enligt ovan skall utföras vid utbyte av defekt del.

10. Speciellt för sängar med batteri-back-up

Om sängen är utrustad med batteri-back-up, så finns det en extra låda vid sidan av elektroniken.

Förebyggande underhåll

Batterierna skall bytas ut senast efter 4 års användning. Eventuellt tidigare beroende på hur de används. Upprepad och kraftig urladdning minskar livslängden. Batterifunktionen bör provas minst 1 gång/år. Batterierna skadas inte vid kontinuerlig anslutning till nätspänningen.



Utbyte av batterier

Batterierna skall skiftas parvis.

Batterierna levereras under artikelnummer: 818323 (12V - 1,2Ah)

Batterierna skall vara nya eller underhållsladdade minst var 6:e månad. Batterierna, som utgör ett par, skall vara utrustade med identiska produktionskoder.

Innan montering, kontrollera att batterierna är korrekt hopkopplade – jämför med ritning (i batteriutrymmet på elektroniken) - och att ingen av kontakterna är lös.

Varning!

Uttjänta eller defekta batterier kan avge knallgas vid försök till uppladdning. Batteriutrymmet är utrustat med ventilation, som ger korrekt och nödvändig utluftning av batteriutrymmet. Denna utluftning får inte blockeras eller täckas för, eftersom det kan ge övertryck och medföra explosionsrisk.

Återvinning av batterierna

Uttjänta och skadade batterier inlämnas på återvinningsstation. På så sätt kan man bli av med dem utan att skada miljön.

II. Serviceschema

Service och underhåll av SB750™ får endast utföras av kunnig/utbildad personal					
Serienummer (återfinns på sängbotten): _____					
Datum:	Signatur:				
Låsringar, låssprintar och plastfixeringsring är kontrollerade.					
Skruvar och bultar är åtdragna.					
Svetsar kontrollerade.					
Sänggrindens lås- och rörelsesystem är provat.					
Hjulinfästningen är efterspänd.					
Bromsar kontrollerade.					
Höjdgleringens motor kontrollerad.					
Ryggstödet motor kontrollerad.					
Lårdelens motor kontrollerad.					
Bendelens gasfjäder/motor kontrollerad.					
Kabeldragningar är korrekt upphängda och oskadade. Kontakter är oskadade.					
Lacksador reparerade.					
Smörjning utförd enligt smörjschema. OBS! Trägrindens glidsystem skall inte smörjas med olja, då kommer dessa att gå trögt.					
Tillbehör kontrollerade.					

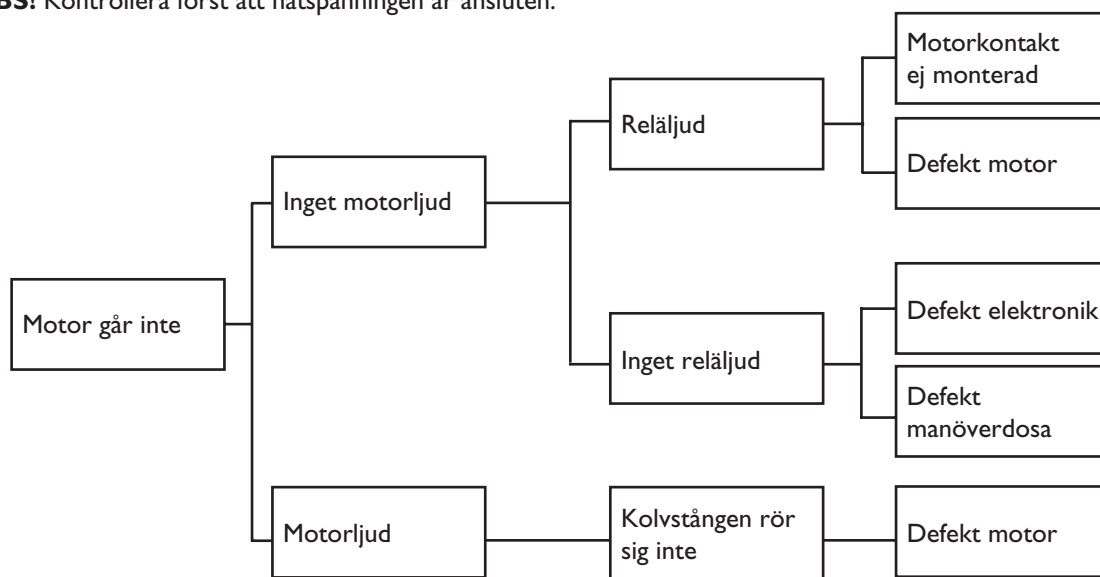
Det finns möjlighet att teckna servicekontrakt med *Invacare*® Service.

Invacare® kan dessutom erbjuda kurser i skötsel och underhåll av **SB750™**.

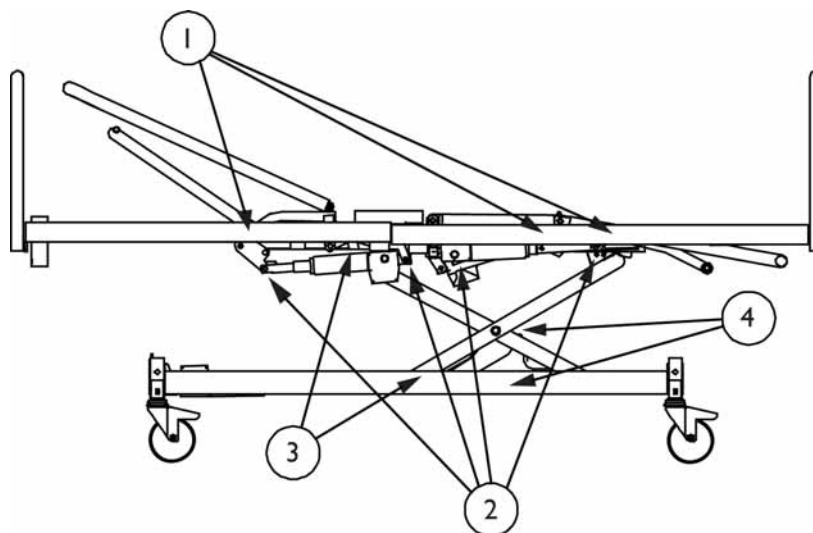
Reservdelslista och extra bruksanvisningar kan rekvireras från *Invacare*®.

12. Felsökning i det elektriska systemet

OBS! Kontrollera först att nätspänningen är ansluten.



13. Smörjschema



Smörjning av **SB750™** bör ske enligt nedanstående beskrivning:

1. Lager till lyftarmar - smörjs med olja
2. Lager till motorer/gasfjäder - smörjs med olja
3. Glidkutsar och glidskenor - smörjs med fett
4. Kryssaxel och kryssrullar - smörjs med olja/fett

För smörjning används medicinskt ren olja, t ex KEW-WO 50, artikelnr: 813239 och fett, artikelnr: 1497607.

14. Rengöring

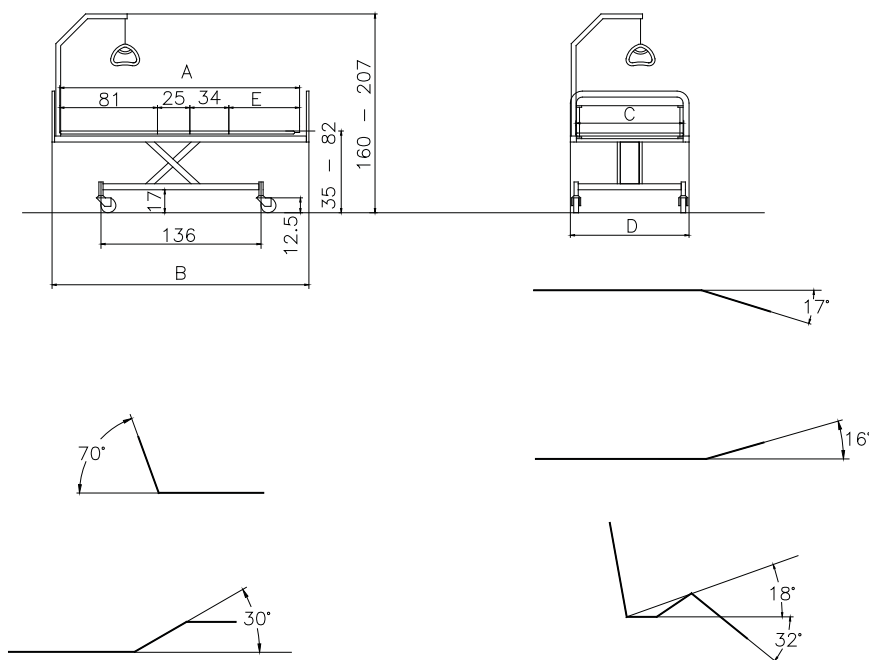
Rengöring av sängen

SB750™ tål inte rengöring i tvättanläggning eller högtrycksbaserad vattenrengöring. Sängen kan rengöras med de på marknaden vanligast förekommande desinfektionsmedlen. Efter tvätt torkas sängen av. Använd aldrig syror, baser eller lösningsmedel. Se till att sängen inte är ansluten till vägguttaget vid rengöring.

Sängens ryggstöd och ben/lårdel kan fällas helt fram över sängbotten. Det underlättar rengöring och gör det lättare att komma åt elektroniken.

Speciellt ang rengöring av manöverdosa, elektronik och motorer IP 66: Tvättas med borste och vatten. Vattnet kan mycket väl vara under tryck, men det får inte sprutas direkt på sängen med högtrycks- eller ångtvätt.

15. Tekniska specifikationer



Alla mått är angivna i cm, alla vinklar i grader.

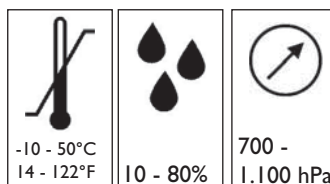
Samtliga mått och vinklar är utan toleranser.

Invacare® förbehåller sig rätten att ändra på ovanstående mått och vinklar.

WxL	A	B	C	D	E
85x200	200	213	85	95	60
90x200	200	213	90	101	60
85x183	183	196	85	95	43
90x183	183	196	90	101	43
105x200	200	213	105	116	60
120x200	200	213	120	131	60

Transport och lagring:

- Temperatur mellan -10° och 50° C
- Luftfuktighet mellan 10 och 80 % RH
- Truck mellan 700 och 1.100 hPa



16. Elektriska data

Anslutningsspänning:	230 V AC/50 Hz.
Max strömförbrukning:	1,5 A.
Intermittens (periodisk användning av motorerna):	10% max 6 minuter/timme.
Max batterikapacitet:	1,2 Ah.
Täthetsklass:	IP 66.
Effekt:	70 VA.
Ljudnivå:	48 dB (A).

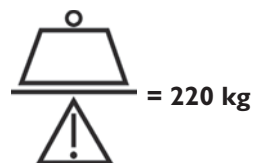
Dubbelisolerad, klass II, typ B.



Växelström: 

Likström: 

Max last (SWL)
(patient + madrass + sänggrind + lyftbåge + evt. andra tillbehör).



Effekt: 70 VA.

Patienten är inte avskild från jord och chassi.



Potentialutjämningspunkt



Elektroniken har ingen brytare. Stickkontakten är den enda brytaren för nätspanningen.

17. Viktuppgifter

Mått / Vikt	85x200 90x200	105x200	120x200
Sängbotten, ryggdel	25 kg	34 kg	36 kg
Sängbotten, bendel	25 kg	36 kg	39 kg
Sänglyft	40 kg	40 kg	42 kg
Säng, komplett exkl. tillbehör	90 kg	110 kg	117 kg
Sänggavel (SANNE III/FLEX III/KARIN III)	6 kg/stk.	7 kg/stk.	8 kg/stk.
Sänggrind i trä (BRITT II/BRITT III)	7 kg/stk.	7 kg/stk.	7 kg/stk.
Sänggrind i trä (BRITT IV)	8 kg/stk.	8 kg/stk.	8 kg/stk.
Sänggavel (ODA/PIGGY)	6 kg/stk.	-	-
Sänggrind i metall	7 kg/stk.	7 kg/stk.	7 kg/stk.
Lyftbåge	6,5 kg	6,5 kg	6,5 kg

18. Avfallshantering

Den här produkten har levererats från en miljömedveten leverantör och som uppfyller normerna i Waste Electrical och Electronic Equipment (WEEE) Directive 2002/96/CE.

Den här produkten kan innehålla ämnen som kan skada miljön om den inte återvinns enligt Svensk lagstiftning.

Symbolen, den »överkryssade soptunnan« är placerad på denna produkt för att uppmana till återvinning då det är möjligt.

Vänligen tag miljöansvar och återvinn denna produkt genom din lokala återvinningsstation.



Innholdsfortegnelse

Bruerveiledning	6
1. Generelt	6
2. Betjening av SB750™	7
Teknisk del	10
3. Informasjon	10
4. Utpakking av SB750™	11
5. Montering av tilbehør	13
6. Montering/demontering av SB750™	15
7. Ledningsføring	17
8. Bestillingsnummer på tilbehør	19
9. Vedlikehold og ettersyn	21
10. Spesielt for senger med batteri back-up	21
11. Serviceskjema	22
12. Feilsøking i det elektriske systemet	23
13. Smøreskjema	23
14. Rengjøring	24
15. Tekniske spesifikasjoner	24
16. Elektriske data	25
17. Vekt	26
18. Bortskaffelse	26

Brukerveiledning

Gratulerer med deres valg av *Invacare*® EC-Høng A/S's **SB750™** pleieseng.

- Sengen er utviklet til brukere over 12 år til pleie hjemme og på institusjoner.
- Sengen forener stabil konstruksjon og ergonomisk design med enkel bruk og demontering.
- Sengen sikrer ved hjelp av et unikt hjertebrett-tilbakeføringsystem en god liggekomfort for brukeren og ideelle vilkår for pleieren gjennom enklere forflytning.

For å optimere liggekomforten anbefaler *Invacare*® EC-Høng A/S, at der brukes en 12 cm madrass.

I. Generelt



SB750™ sengen oppfyller alle behov for maksimal lengde. Likevel, hvis sengen er beregnet på små personer, må man være oppmerksom på at det er en risiko for at de kan skli gjennom åpningen mellom sengegrindene eller gjennom åpningen mellom sengegrinden og liggeflate.



Sengen må ikke brukes av personer under 12 år eller av personer på størrelse med en 12-åring eller mindre.



Sengen, i kombinasjon med sengegrindene, må ikke bli brukt av personer under 45 kg eller under 150 cm, eller av personer som er urolige (spasmer) eller er forvirret, hvis ikke:

- en profesjonell risiko vurdering er gjort og har blitt akseptert eller
- et sikkerhetsovertrekk for sengegrindene er brukt.



Når man bruker sidegrinder og tilhørende sikkerhetsovertrekk er det viktig å påse at trekket er nøyaktig påsatt - hvis ikke er det fare for fastsettelse/kvelning mellom liggeflate, sengegrindene og sengegavlen!



Hvis sengen er brukt av urolige (spasmer) eller forvirrede personer, kan en ACP boks brukes for å låse hånd-kontroll funksjonene, og/eller en tverrstang under benseksjonen av liggeflaten innstilleres. Tverrstangen vil forhindre benseksjonen i å senkes lavere enn liggeflaten og dermed redusere åpningen mellom benseksjonen og sengegavlen.



Etterlat alltid sengen i laveste posisjon - dermed minskes effekten av eventuelle fallulykker fra liggeflaten.



Invacare® påtar seg ikke ansvar hvis produktet brukes, endres eller settes sammen på annen måte enn den som blir beskrevet i denne brukerveiledningen.



Sengen må plasseres slik at høydejusteringen (opp/ned) ikke hindres av for eksempel personløftere eller møbler. Det vil ellers være fare for skade på bruker eller utstyr.

Ved inn og utstigning av sengen kan høydeinnstillingen i sengen med fordel benyttes. Videre kan ryggstøtten (hjertebrettet) benyttes som en støtte (gul knapp på håndkontrollen). Det er viktig, at lår- og leggdelene er horisontal, ellers er det risiko for overbelastning på benseksjonen i liggeflaten.

2. Betjening av SB750™

Sengen kan være utstyrt med denne type håndkontroll (Soft Control):

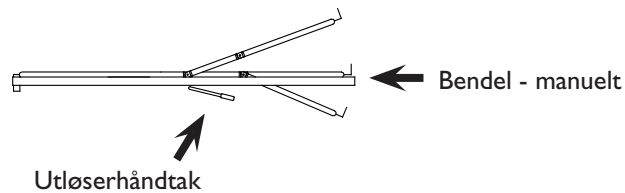


Eller med denne type håndkontroll (HB 70):



Betjene ben-seksjonen på senger med gassfjær

Løft håndtaket med den ene hånden, samtidig med at bendelen heves. Hev bendelen ved å holde i madrassbøylen på bendelen med den andre hånden og slipp utløserhåndtaket



Reguleringen av leggdelen på SB750, 120 cm bredde med Rastofix

For å heve leggdelen: Løft leggdelen til ønsket høyde.

NB: Forsikre deg at begge Rastofix beslagene er korrekt på plass.

For å senke leggdelen: Løft leggdelen forsiktig og senk den.



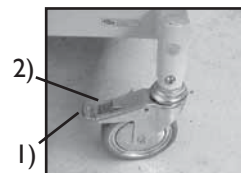
Etterlat **alltid** sengen i laveste posisjon. Dermed sikrer man seg mot klemfare ved utilsiktet senkning av liggeflaten. En person kan bli alvorlig skadet hvis han oppholder seg under sengen mens høyden justeres.

Betjening av bremsehjul

Betjening av hjul uten sentralbrems

Når sengen er plassert riktig sted, skal minst et hjul i hodeenden og et hjul i fotenden ha bremsene på.

- 1) **For å bremse:** Trå på pedalen.
- 2) **Utløs bremsen:** Trå på pedalen.



Betjening av hjul med sentralbrems

Når sengen er plassert på riktig sted, skal bremsene settes på.

- 1) **For å bremse:** Fra nøytral stilling, trå det på den røde pedalen.
- 2) **Utløs bremsen:** Trå på den grønne pedalen til nøytral posisjon.



Betjening av det retningsstyrte hjulet

SB750™ med sentralbrems kan være utstyrt med et retningsstyrt hjul. Det retningsstyrte hjulet betjenes fra sentralbremsepedalen.

- 1) **Aktiver retningssperren:** Trå på den grønne pedalen fra nøytral stilling.
- 2) **Deaktiver retningssperren:** Trå på den røde pedalen til nøytral posisjon.

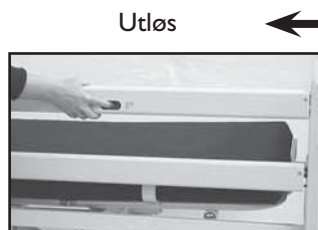
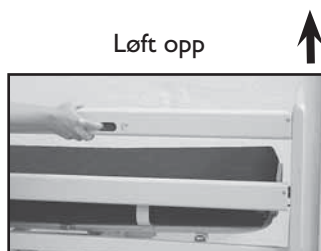
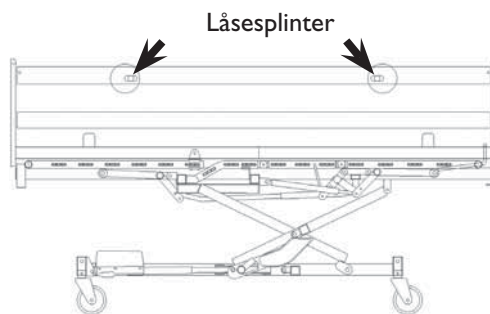
Sengehjulene kan under enkelte forhold sette merker på ulike typer underlag - inkludert ubehandlede eller dårlige tregulv. Dersom du er i tvil, anbefaler *Invacare*® å plassere en form for beskyttelse mellom hjulene og gulvet.

Bruk av BRITT II/III/IV tresidegrind

En kan justere endegavlene slik at sidegrinden kan låses i halv høyde og i topposisjon. Normalt kan en kun låse sidegrinden i topposisjon.

Opp: Løft den øverste treribben opp til du hører en klikkelyd fra utløseren/låsemekanismen.

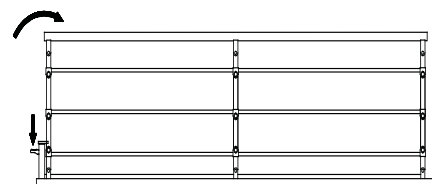
Ned: Løft opp den øverste treribben, press så de to utløserne mot hverandre. Senk sidegrinden.



Bruk av metallsidegrind

Opp: Trekk i det øverste røret på sidegrinden – mot den enden der låsemekanismen er.

Ned: Trykk ned utløserknappen mens du trekker i det øverste røret på sidegrinden - bort fra utløseret.



Det er en klemrisiko av fingre ved montering og betjening av metallsidegrindene. Vennligst forsikre at låsesystemet på sidegrindene er riktig koplet til ved å dytte/dra den øvre bjelken.

Høyderegulering av løftebøyle

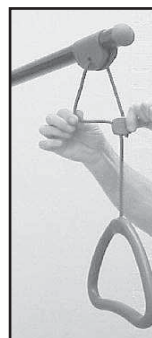
Løs snoren som vist på bilde A og juster deretter bøylene.

Etter justering klemmes snorene sammen som vist på bilde B.

Kontroller at snoren er fastlåst i snorlåsen ved å trekke i håndtaket.



Løftebøylen skal henge slik at håndtaket er plassert over sengen. Hvis den henger utenfor - og bøylene benyttes - kan sengen velte.



A



B

Teknisk del

Invacare[®] er sertifisert i henhold til DS/EN ISO 9001 og ISO 13485. Dette er en forsikring ovenfor våre kunder om at produkter som er produsert hos *Invacare*[®] alltid leveres med samme høye kvalitet.

Alle deler og produkter kvalitetskontrolleres gjennom hele produksjonen. Når produktet er ferdigmontert, foretas en slutttest.

Den som foretar denne slutttesten - som bl.a. består av en kontroll av alle bevegelige deler, motorer, gassfjær og hjul - kvitterer ved å sette sitt personlige QA-nummer på produktet.

QA XXX

Alle produkter som ikke holder kvalitetskravene fastsatt av *Invacare*[®] blir kassert.

Skulle det mot formodning oppstå problemer med det leverte produktet, vennligst henvend dem til *Invacare*[®] leverandøren.

3. Informasjon

Vennligst les hele avsnittet som omhandler teknisk informasjon før betjening eller vedlikehold av sengen.

Alle indikasjoner på høyre og venstre er basert på at pasienten ligger på ryggen i sengen.

Merk deg at det kan være avsnitt i brukerveiledningen som ikke er relevante for din seng.

- **SB750TM** er CE-merket i henhold til direktiv 93/42/EØF om medisinsk utstyr.
- **SB750TM** er dessuten testet uten anmerkninger ved Hjelpemiddelinstittuttet (Danish Center of Technical Aids) i henhold til EN 1970.
- **SB750TM** er EMC-testet og godkjent av UL Demko.
- **SB750TM** har gjennomgått risikoanalysen i henhold til EN 14971.
- **SB750TM** er godkjent for en maksimum belastning på 220 kg inkl. alt utstyr.

Maksimum pasientvekt: 185 kg.

Styring og motorer tilhører tetthetsklasse IP 66. Ved elektronikk av tetthetsklasse IP 66 **skal** en bruke låsekammen på styringen, for at *Invacare*[®] skal kunne garantere for sikkerheten.



Det kan være risiko for elektromagnetisk påvirkning mellom sengen og andre elektriske produkter. For å minske eller unngå elektromagnetisk påvirkning skal avstanden mellom sengen og andre produkter økes, evt. skal apparatet avbrytes. Sengen kan benyttes sammen med medisinsk elektrisk utstyr forbundet til hjertet (intracardialt) eller blodbanene (intravasculart), forutsatt at følgende punkter overholdes:

- Sengen skal være forsynet med potentialutligningsklemme (symbolet vist bakerst i denne manual)
- Det medisinske elektriske utstyr må ikke fastgjøres på sengens metalliske utstyr som sengehest, galge, transfusjonsstativ, endegavler o.l.

Ytterligere skal det medisinske elektriske utstyrs nettleidning holdes fri av utstyret eller sengens bevegelige deler.



Invacare[®] påtar seg ikke ansvar hvis produktet brukes, endres eller monteres på annen måte enn det som står i denne veiledningen.

Hvis sengens funksjoner endrer seg, send sengen øyeblikkelig inn til service, se "Serviceskjema", kap. 11.

4. Utpakking av SB750™



På grunn av kondens må ikke sengen tas i bruk før den har oppnådd en temperatur på 10-50° C.



Kontroller om sengen er skadet. Hvis den er skadet, se leveringsbetingelsene.

Leveres sengen i deler skal delene til sengen samles.
Se kap. 6 "Montering /demontering av SB750™".

Kontroller at sammenkoblingen mellom liggeflaten og understellet er korrekt montert (se illustrasjon).

Kontroller at alle koblinger fra styringen til motorer og håndkontroll er korrekt montert i henhold til de påtrykte symbolangivelsene.

Låst pal/snaplås



Ulåst pal/snaplås



Sett på sengens bremses når det arbeides med en pasient i sengen.



Ta ut stikproppen fra støpselet før sengen flyttes. Ledningene skal ikke slepe i golvet, eller komme bort i hjulene på sengen under transport.

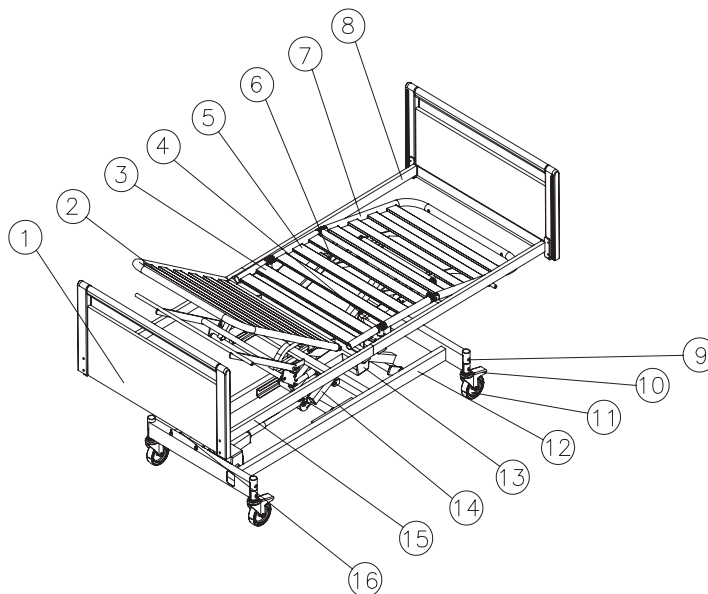
Sett stikproppen i støpselet igjen.

For bedre arbeidsstilling: Hev sengens høyde ca halvveis opp.
Se kap. 2 "Bruk av SB750™".

Montering av tilbehør: Endegavl, sidegrind, løftebøyle og fenderruller monteres på sengen.
Se kap. 5 "Montering av tilbehør".

Standardsengens deler

1. Umbrakonøkkel
2. Hjertebrett
3. Setedel
4. 24 V motor, bendel/gassfjær, bendel
5. Lårdel
6. 24 V motor, lårdel
7. Bendel
8. Overramme-fot
9. Brems pedal, hvis sengen har sentralbrems
10. Brems, hvis sengen har bremsehjul
11. Hjul
12. Understell
13. 24 V motor, hjertebrett
14. Sakseløft
15. Overramme-hode
16. Styring



Tilbehør

- Akkumulatorboks
- Gavlbleslag
- Endegavl
- Tresidegrind
- Metallsidegrind
- Fingerskrue
- Løftebøyle
- Fenderrull

Bruk av innebygd liggeflateforlenger

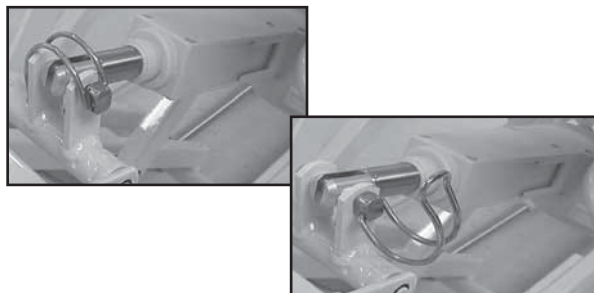
For å kunne benytte seg av liggeflateforlengeren må en bruke umbrakonøkkel. Umbrakonøkken sitter innvendig på tverrøret i hodeenden.

1. Demonter sidegrinden (se avsnitt 5).
2. Løsne de to skruene som sitter under siderøret ved hjelp av umbrakonøkklene.
3. Trekk gavlbleslaget 16 cm ut, monter og skru fast de to skruene igjen.
4. Løsne de to skruene som sitter under madrassbøylen på bendelen, trekk madrassbøylen ut til den stoppe og skru fast de 2 skruene igjen.
5. Legg i madrassdelen.

Nødsenkning av liggeflatedeler

Nødsenkning av liggeflatedeler kan være aktuelt ved f.eks. støm- eller motorsvikt. Sengens høydeinnstillingsfunksjon kan IKKE nødsenkes!

- Ta stikkkontakten ut av støpselet før liggeflatedelen senkes.
- Liggeflatedelen kan nødsenkes ved å fjerne rørsplitten på den tilhørende motoren/gassfjæren.

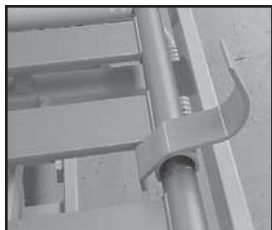


Minimum to personer skal være til stede under nødsenkning av en liggeflatedel. Begge to holder delen fast i den låste posisjonen. Den ene trekker ut rørsplitten. Deretter senkes liggeflatedelen langsomt til den er helt nede.

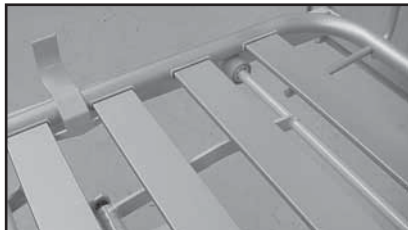
5. Montering av tilbehør

Det verktøyet man trenger ved montering/demontering av tilbehøret på **SB750™** er en umbrakonøkkel og en skiftenøkkel. Umbrakonøkkelen sitter innvendig på tverrøret på overrammehodet. Til montering/demontering av alle typer gavlbeslag brukes umbrakonøkkelen.

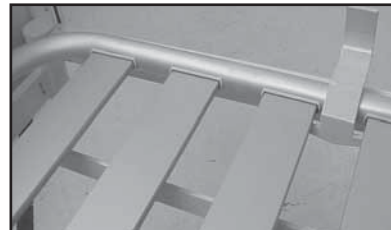
Montering av madrassstøtte



Madrassstøtte klemmes ned over madrassrammen.



Plasseres mellom 3. og 4. lamell på ryggdelen.

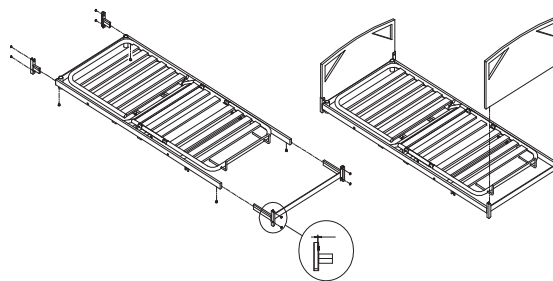


Plasseres mellom 3. og 4. lamell på bendelen.

Montering av gavlbeslag

(Hvis gavlbeslagene ikke er montert ved leveringen)

1. Monter de to gavlbeslagene i hodeenden - skru fast med umbrakoskruer.
2. Monter det store og sammensveide gavlbeslagene i fotenden - skru fast med umbrakoskruer.



Montering av PIGGY og ODA endegavler

Pres endegavlen ned i U-profilerne.

Montering av FLEX III/KARIN III endegavler

Til montering/demontering av alle typer endegavler brukes umbrakonøkkelen. Monter endegavlen Flex III i hode- og fortenden - skru fast med skruer.

Montering av SANNE III endegavler

Monter endegavlen på hakebeslagene på begge sider. Tryk gavlen ned og lås. Låsepinnen må roteres for å kunne låses. Pass på at låsepinnen er fullstendig inne.



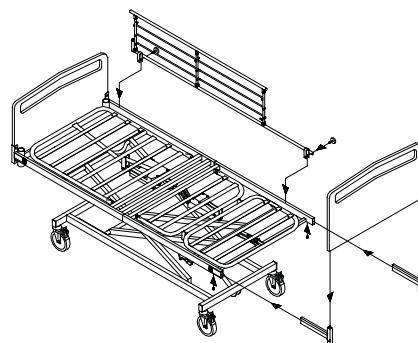
Demontering av SANNE III endegavler

Trekk låsen ut og vri den en halv omgang, slik at den forblir ute. Dette gjøres på begge sider. Trekk opp og ut endegavlen.

Montering/demontering av metallsidegrind

Montering av sidegrinder: Se merking
Sidegrinden skrues fast med to fingerskruer.

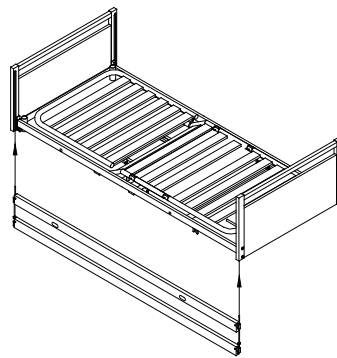
Demontering: Løsne de to fingerskruene – løft av metallsidegrinden.



Montering av BRITT II/III/IV sidegrind

1. Kjør sengen ca. 1/3 opp.
2. Demonter beskyttelsestapen ved låsetappene i hver ende av sidegrinden.
3. Monter en ende av gangen. Løft i den nederste treribben og før metallbøylen opp i gavlskinnen (A).
4. Låsetappen på sidegrinden trykkes inn med en finger (B).
5. Sidegrinden føres opp i gavlen inntil låsfjæren i gavlen springer ut og forhindrer at sidegrinden faller ut av gavlen.

Punktene 3 - 5 gjentas ved montering av den andre enden av sidegrinden



Demontering av BRITT II/III/IV sidegrind

1. Kjør sengen ca. 1/3 opp. Senk sidegrinden.
2. Demonter en ende av gangen. Løft i den nederste treribben til låsefjæren i gavlen er synlig.
3. Trykk låsefjæren inn med en nøkkel eller en skrutrekker (C).
4. Hold rundt nederste treribbe. Senk sidegrinden til metallbøylen er fri fra gavlskinnen.

Punktene 2 - 4 gjentas ved demontering av den andre enden av sidegrinden.

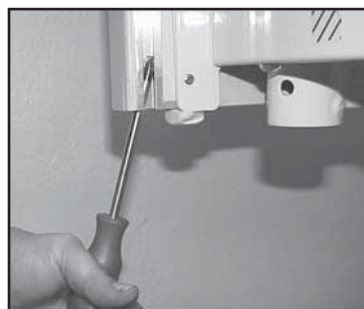
A



B



C



Montering av løftebøyle (søsterhjelp)

Fjern plastproppen i det hullet der du ønsker å montere bøylene.
Montér bøylene – fingerskrue skal benyttes!

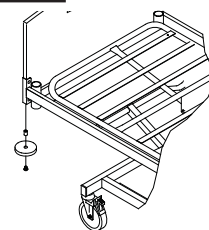
→
Løftebøyle
rør med
plastpropp



Montering av fenderrul

Montér muttere på fenderrullen – fest skruer under gavlbeslaget.
Fenderruller kan ikke monteres på SANNE endegavler.

→
Fingerskrue



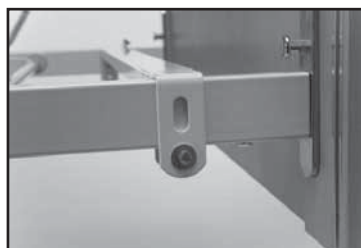
Montering av tverrstangen under ben-seksjonen



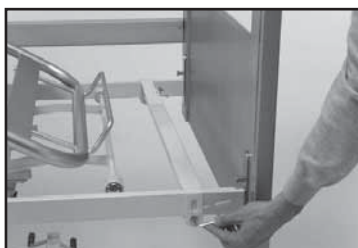
Hvis sengen er brukt av urolige (spasmer) eller forvirrede personer, kan en tverrstang under benseksjonen av liggeflaten innstalleres. Tverrstangen vil forhindre benseksjonen i å senkes lavere enn liggeflaten og dermed redusere åpningen mellom benseksjonen og sengegavlen.

Hev ben-seksjonen fra madrassstøtten, og monter tverrstangen.

Tverrstangen er plassert her



Skrueene er festet



Korrekt montert
tverrstang



Bruk av innebygd liggeflateforlenger

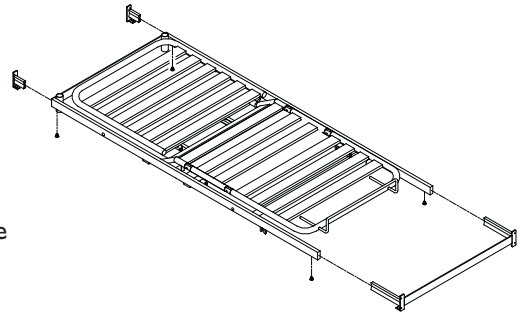


Advarsel! For å unngå at pasienten setter seg fast eller kveles, er det meget viktig at sengegavlene ikke forlenges uten at også madrassen forlenges. Se **Montering av tverrstangen under ben-seksjonen**

For å kunne benytte seg av liggeflateforlengeren må en bruke umbrakonøkkel.

Umbrakonøklen sitter innvendig på tverrøret i hodeenden.

1. Demonter sidegrinden (se avsnitt 5).
2. Løsne de to skruene som sitter under siderøret ved hjelp av umbrakonøkklene.
3. Trekk gavlbeslaget 16 cm ut, monter og skru fast de to skruene igjen.
4. Løsne de to skruene som sitter under madrassbøylen på ben-delen, trekk madrassbøylen ut til den stoppe og skru fast de 2 skruene igjen.
5. Legg i madrassdelen.

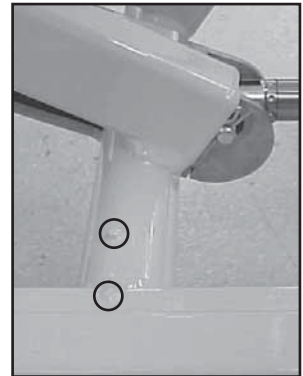


6. Montering/demontering av SB750™

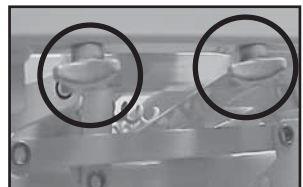
Demontering

1. Sørg for at bremsene er på.
2. Fjern alt tilbehør.
3. Kjør sengen til den avmerkede høyden, slik at punktene på understellets ramme og på saksen er plassert ovenfor hverandre.
4. Ta pluggen ut av støpselet.
5. Fjern beskyttelseskammen fra styringen.
6. Demonter ledningene fra rygg-, lår- og benmotor og kontroller at ledningene ikke henger fast i understellet.
7. Demonter de 2x2 fingerskruene i siderørene.
8. Trekk hodedelen på overrammen ut av innskuddene i siderørene til stoppunktet og senk det ned til gulvet.
9. Utløs de 2 låsebeslagene / snaplåsene på overrammens fotdel ved å trekke låsen ut og dreie den til høyre.
10. Vipp overrammens fotdel ned og løft den vekk fra understellet. Ta overrammens hodedel vekk fra understellet.
11. Stikproppen kan settes i støpselet og understellet kan kjøres helt ned.

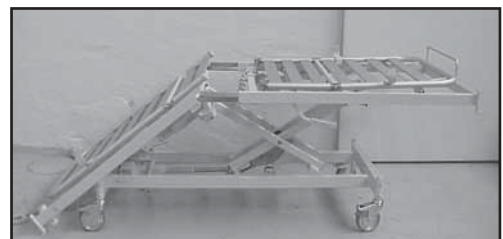
3.



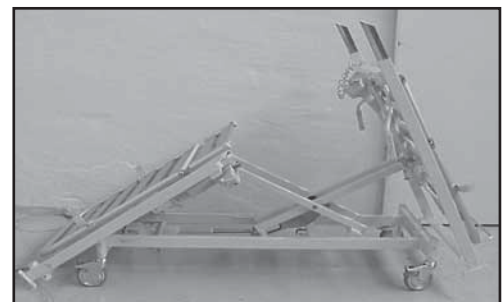
7.



8.



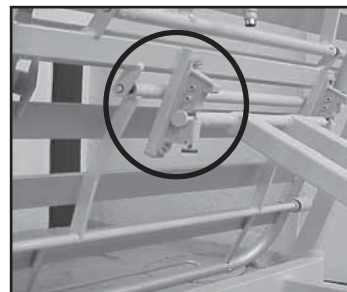
10.



Montering

1. Sørg for at bremsene er på.
2. Sett stikkkontakten i støpselet.
3. Kjør sengen til den avmerkede høyden (se illustrasjon 3 side 15), slik at punktene på understellets ramme og på saksen er plassert ovenfor hverandre.
4. Løft overrammens fotdel opp, slik at de to låsebeslagene / snaplåsene går inn i tappene på saksen (4.1).

4.1



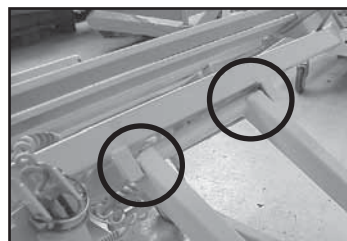
En må forsikre seg om at låsen har klikket inn og er låst (4.2), deretter føres overrammens fotdel opp til vannrett posisjon.

4.2



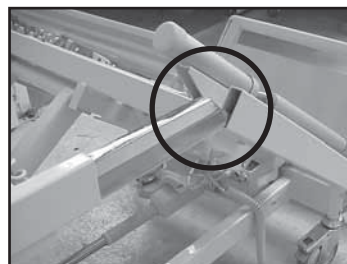
5. Sett overrammens hodedel foran understellet og senk overrammens hodedel ned, slik at plastgliderne gå inn i rammen.

5.



6. Løft overrammens hodedel og skyv det inn over innskuddene til det stopper.

6.



7. Skru fingerskruene på 2x2 inn i siderørene.

7.

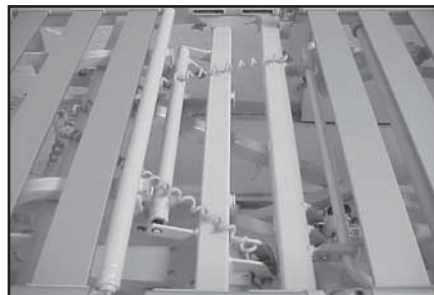
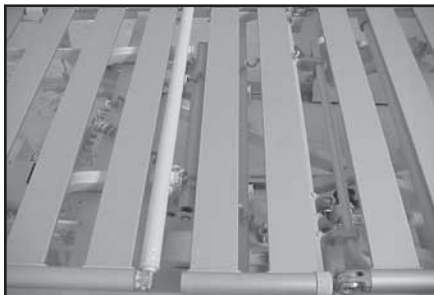


8. Monter kontaktene fra rygg-, lår- og benmotor i styringen, se avsnitt 7 vedr. ledningsføring.
9. Monter diverse tilbehør.

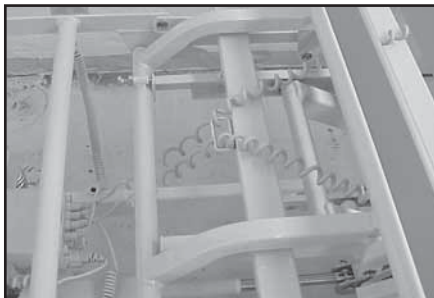
7. Ledningsføring



Ledningene monteres nedefra og opp igjennom spor i akselenden på motoren.



Ledningene føres opp under lamellene.

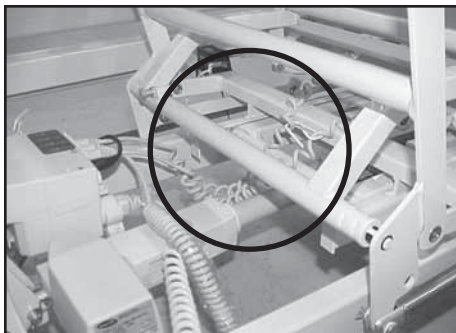


Ledningene monteres igjennom kabelbøylen og videre herfra ned i styringen.

Disse fotoene viser en seng med 2 motorer til liggeflaten.

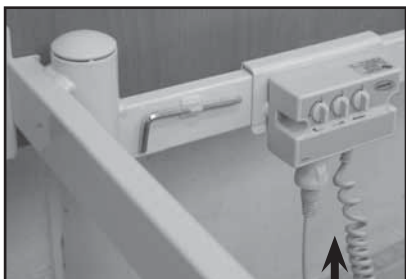
Etter montering kontrolleres ledningsmonteringen ved å kjøre sengens motorer ut i alle ytterposisjoner.

Når alle ledningene er korrekt montert, er det ikke noen risiko for klemning av ledninger.



Det er vanlig at ledningene etter kort tids bruk blir litt løsere.

ACP Boks (tilbehør)



Håndbetjeningen kan låses ved å aktivere omskifteren på ACP boksen som er plassert i hodeenden av sengen.
Det bør kontrolleres om låsefunksjonen er korrekt aktivert ved å bruke håndbetjeningens knapper.



Åpen



Låst



Demontering av låsering

Utskifting av håndbetjening

Den hvite låseringen på APC boksen trykkes inn, deretter kan håndbetjeningens kabel trekkes ut.

8. Bestillingsnummer på tilbehør

Varebetegnelse	Dimensjoner	Bestillingsnr.:
ENDEGAVLER		
SANNE III (bøk)	85 cm	020429.01
SANNE III (bøk)	105 cm	021953.01
SANNE III (bøk)	120 cm	021954.01
SANNE III (kirsebær/bøk)	90 cm	021956.07
SANNE III, forhøyet og forlenget (bøk) *)	85 cm	1451258-0101
SANNE III, forhøyet og forlenget (bøk) *)	90 cm	1451257-0101
SANNE III, forhøyet og forlenget (bøk) *)	105 cm	1484403-0101
SANNE III, forhøyet og forlenget (bøk) *)	120 cm	1484404-0101
*) Benyttes med LILLI III sidegrind i tre		
FLEX III (bøk)	85 cm	020417.01
FLEX III (bøk)	90 cm	020737.01
PIGGY (bøk / U-profiler)	85 cm	020431.01
PIGGY (bøk / U-profiler)	90 cm	018940.01
ODA (bøk / U-profiler)	85 cm	020430.01
ODA (bøk / U-profiler)	90 cm	016609.01
Endegavler finnes i andre utførelser – kontakt <i>Invacare</i> ®		
SIDTEGRINDER		
Scala Basic Sidegrind i metall (nedfellbar)		1432784-1015
Scala Basic Plus Sidegrind i metall (nedfellbar med plastinnlegg)		1432787-1015
Scala Medium Sidegrind i metall (nedfellbar)		1432781-1015
Scala Decubi Sidegrind i metall (nedfellbar)		1432793-1015
Sidegrind i metall 5539, forlenget (nedfellbar med løs fingerskrue)		50.55390.D0/L+R
BRITT IV (høyde + 2.5 cm, bøk)		1427875-0101
BRITT IV (høyde + 2.5 cm, kirsebær)		1427875-0102
BRITT IV (høyde + 2.5 cm, hvitpigmentert)		1427875-0105
BRITT III (bøk)		020434.01
BRITT III, kort (bøk)		021342.01
BRITT III (kirsebær)		020434.02
BRITT III, kort (hvitpigmentert)		021342.05
BRITT III, (hvitpigmentert)		020434.05
BRITT II, forlenget (bøk)		019372.01
BRITT II, forlenget (kirsebær)		019372.02
BRITT II, forlenget (hvitpigmentert)		019372.05
LILLI III (bøk)		1433812-0101
LILLI III (kirsebær)		1433812-0102
LILLI III, forlenget (bøk)		1434044-0101
Dekkrør til bruk ved forlengelse av liggeflate		017639.D0
STØTTEGREP		
Støttegrep	25x30 cm	021964.D0
Støttegrep	40x50 cm	021963.D0
Støttegrep	25x80 cm	1417510-1015
Støttegrep	40x30 cm	1417511-1015
Støttegrep	40x95 cm	1417512-1015
SØSTERHJELP		
Søsterhjelp		50.57600.D0
BENDELSBEGRENSER		
Bendelsbegrenser (hindrer, at bendel kan senkes under overrammens nivå)		1510820-1015

Varebetegnelse	Dimensjoner	Best.nr.:
INFUSJONSSTATIV		
Infusjonsstativ		50.60030.D0
Holder til infusjonsstativ (til montering i feste for søsterhjelp)		50.60910.00
FENDERHJUL		
Fenderhjul (1 stk.)	75 mm	50.59600.00
Fenderhjul (1 stk.)	100 mm	50.59610.00
Fenderhjul (1 stk.)	150 mm	50.59640.00
Fenderhjul (1 stk., stående)	100 mm	50.59630.D0
MADRASSER		
Dacapo Standard (38 kg/m ³ kaldskum, bomullstrekk)	85x200x10	1421530
Dacapo Standard (38 kg/m ³ kaldskum, bomullstrekk)	90x200x10	1421531
Dacapo Standard (38 kg/m ³ kaldskum, bomullstrekk)	105x200x10	1421532
Dacapo Standard (38 kg/m ³ kaldskum, bomullstrekk)	120x200x10	1421533
Dacapo Basic (38 kg/m ³ kaldskum, inkontinenstrekk)	88x200x12	1421551
Dacapo Basic (38 kg/m ³ kaldskum, inkontinenstrekk)	83x200x12	1421552
Dacapo Basic (38 kg/m ³ kaldskum, inkontinenstrekk)	88x183x12	1421555
Dacapo Basic (38 kg/m ³ kaldskum, inkontinenstrekk)	83x183x12	1421556
Dacapo Basic Heavy user (3 lags 50/50/38 kg/m ³ kaldskum, inkontinenstrekk)	105x200x15	1448429
Dacapo Basic Heavy user (3 lags 50/50/38 kg/m ³ kaldskum, inkontinenstrekk)	120x200x15	1451262
Dacapo Organic (50 kg/m ³ Organic skum, eggeformet skjæring, inkontinenstrekk)	85x200x12	1421572
Dacapo Organic (50 kg/m ³ Organic skum, eggeformet skjæring, inkontinenstrekk)	90x200x12	1421573
Dacapo Combi (2 lags 50/38 kg/m ³ , Viskoelastisk/kaldskum, inkontinenstrekk)	85x200x14	1421489
Dacapo Combi (2 lags 50/38 kg/m ³ , Viskoelastisk/kaldskum, inkontinenstrekk)	90x200x14	1421490
Dacapo Square (2 lags 50/38 kg/m ³ , Organic skum, kaldskum, inkontinenstrekk)	83x200x14	1421515
Dacapo Square (2 lags 50/38 kg/m ³ , Organic skum, kaldskum, inkontinenstrekk)	88x200x14	1421516
Dacapo Top (50 kg/m ³ , Viskoelastisk skum, inkontinenstrekk)	85x200x6	1421587
Dacapo Top (50 kg/m ³ , Viskoelastisk skum, inkontinenstrekk)	90x200x6	1421588
Til forlengede senger er det mulighet for kjøp av innskuddsmadrasser i tilpassede mål.		
LAVBYGNINGSSETT		
Lavbygningsett med Ø75 mm bremsehjul		021343.D0
Trekk til sengegrind		
Scala trekk for Britt III, IV og Lilli III sengegrind i tre		1449412
Scala trekk for Britt III sengegrind i tre, kort		1449411
Scala trekk for Britt II og Lilli III sengegrind i tre, forlenget		1493565
Scala trekk for Britt III, IV og Lilli III sengegrind i tre, netting		1449413
Scala trekk for Britt II og Lilli III sengegrind i tre, netting, forlenget		1449415
Scala trekk for sengegrind i metall, Basic		1449423
Scala trekk for sengegrind i metall, forhøyet		1449419
Scala trekk for sengegrind i metall, forlenget		1449421
Scala sikkerhetsovertrekk for Britt III, IV og Lilli III sengegrind i tre		1511890
Scala sikkerhetsovertrekk for Britt III sidegrind i tre, kort		1513592
Scala sikkerhetsovertrekk for Britt II og Lilli III sengegrind i tre, forlenget		1511892

9. Vedlikehold og ettersyn

Service og vedlikehold av **SB750™** må kun utføres av faglærte personer.

Ved normalt daglig bruk, skal service utføres i henhold til serviceplanen etter 2 års bruk, og deretter hvert annet år.

Når sengen flyttes, skal det utføres service i henhold til serviceplanen.

Når man bruker Flex eller Karin sengegrinder, som er laget i en fleksibel type tre, vil det være nødvendig å stramme hexagon skruene med jevne mellomrom i tillegg til slik det er beskrevet i brukermanualen.

Etter 4 års normal bruk skiftes / smøres ruller ved kile, se smøreskjema.



Merk! Overrammen skal understøttes når ettersyn eller service foregår for å hindre utilsiktet senkning.

Det anbefales at motorenes funksjon og mekaniske tilstand kontrolleres årlig.

Motorer, håndkontroll og styring

All service i forbindelse med ovenstående skjer ved ombytting/utskiftning av den/de defekte delene.

10. Spesielt for senger med batteri back-up

Hvis sengen er utstyrt med batteri back-up, vil det være en ekstra boks ved siden av styringen.

Forebyggende vedlikehold

Batteriene skal skiftes senest etter 4 års bruk, evt tidligere, avhengig av bruksmønsteret.

Hyppig og kraftig utladning korter ned på levetiden.

Det anbefales å teste batterifunksjonen en gang i året.

Batteriene blir ikke skadet ved kontinuerlig tilkobling til strømmettet.



Utskifting av batterier

Batteriene må alltid skiftes parvis med originale batterier eller med kompatible typer.

Batterisett leveres med art. nr: 818323 (12V - 1.2Ah).

Batteriene skal være nye eller vedlikeholdslades hver 6. måned. Batteriene som utgjør ett sett, skal ha identiske produksjonskoder.

Før innsetting må man forsikre seg om at batteriene er korrekt sammenkoblet – se tegning (i batteri – rommet på styringen) – og at ingen av koblingene er løse.

Advarsel!

Ukjente eller defekte akkumulatorer kan forårsake knallgass ved forsøk på oppladning.

Akkumulatorrommet er utstyrt med en luftingsventil som sikrer en korrekt og nødvendig lufting av akkumulatorrommet. Denne luftingen må ikke blokkeres eller dekkes til, da det kan oppstå overtrykk og fare for eksplosjon.

Gjenvinning

Defekte akkumulatorer kan returneres til *Invacare®* eller håndteres som bilakkumulatorer.

II. Serviceskjema

Service og vedlikehold av SB750™ sengen må kun utføres av faglærte personer					
S/N (lokalisert på liggeflaten): _____					
Dato:	Init.:				
Låsring, røsplitter og plastsiver er kontrollert					
Skruer er skrudd til.					
Sveiseskjøter er kontrollert.					
Sidegrindens låse- og bevegelsessystem er testet.					
Hjulfestet er godt dratt til.					
Brems på hjul er kontrollert.					
Høyderuleringsmotor er kontrollert.					
Hjertebrettets motor er kontrollert.					
Lårdelens motor er kontrollert.					
Bendelens gassfjær/motor er kontrollert.					
Ledninger er korrekt hengt opp og ikke skadet. Plugger er uskadede.					
Lakkskader er reparert.					
Smøring utført etter smøreskjema. NB! Glidesystemet på sengegrinder i tre må ikke smøres med olje, da vil trestavene gå tregt.					
Tilbehør er kontrollert.					

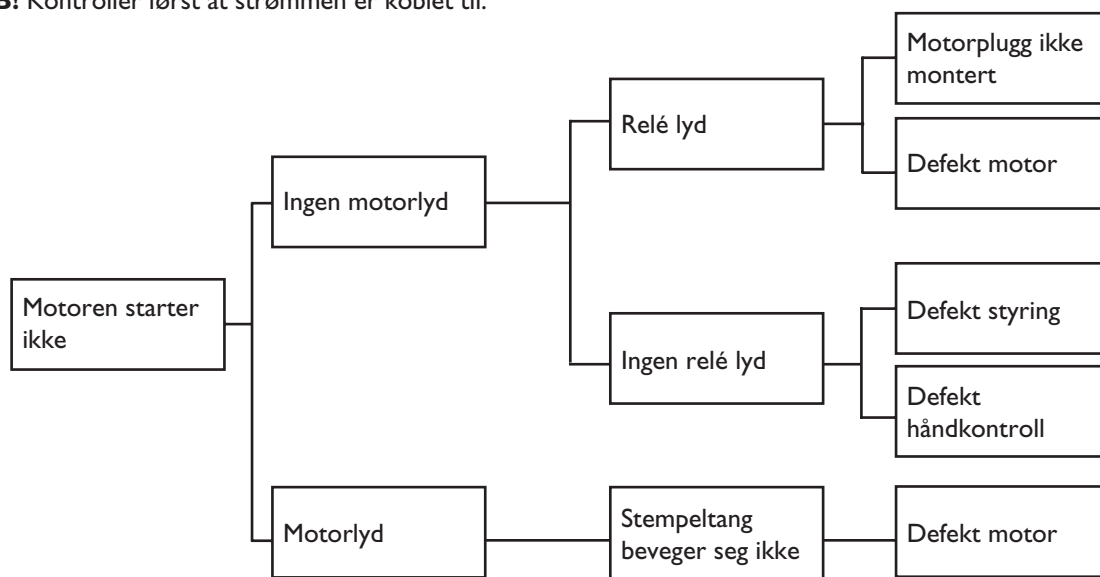
I land der *Invacare*® har eget salgsselskap, er det mulighet for å tegne servicekontrakt.

Invacare® kan tilby servicekontrakt, kurs i ettersyn og vedlikehold av **SB750™**.

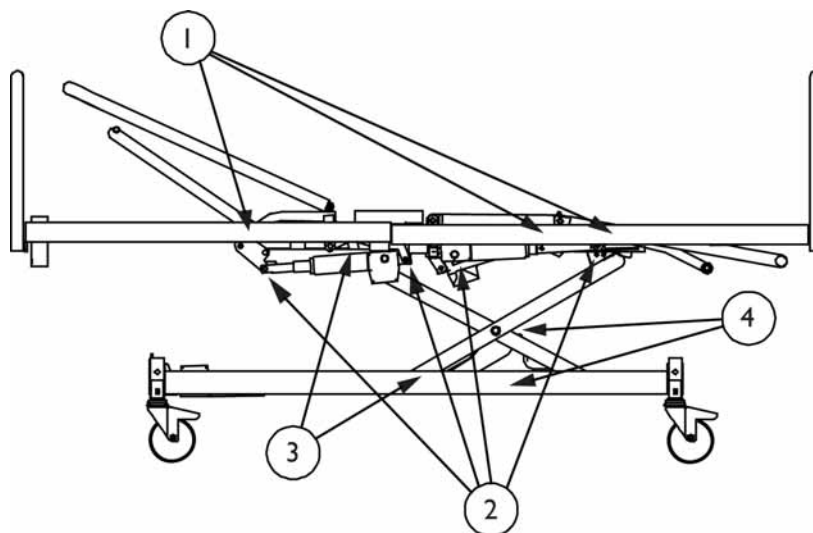
Reservevedelsliste og ekstra bruksanvisning kan rekvireres hos *Invacare*®.

12. Feilsøking i det elektriske systemet

NB! Kontroller først at strømmen er koblet til.



13. Smøreskjema



Det anbefales at ScanBed750 smøres utfra dette skjemaet:

- | | |
|--------------------------------|------------------------|
| 1. Fester for løftarmene | - smøres med olje |
| 2. Fester for motorer/gassfjær | - smøres med olje |
| 3. Glidere og skinner | - smøres med fett |
| 4. Aksel og ruller for saks | - smøres med olje/fett |

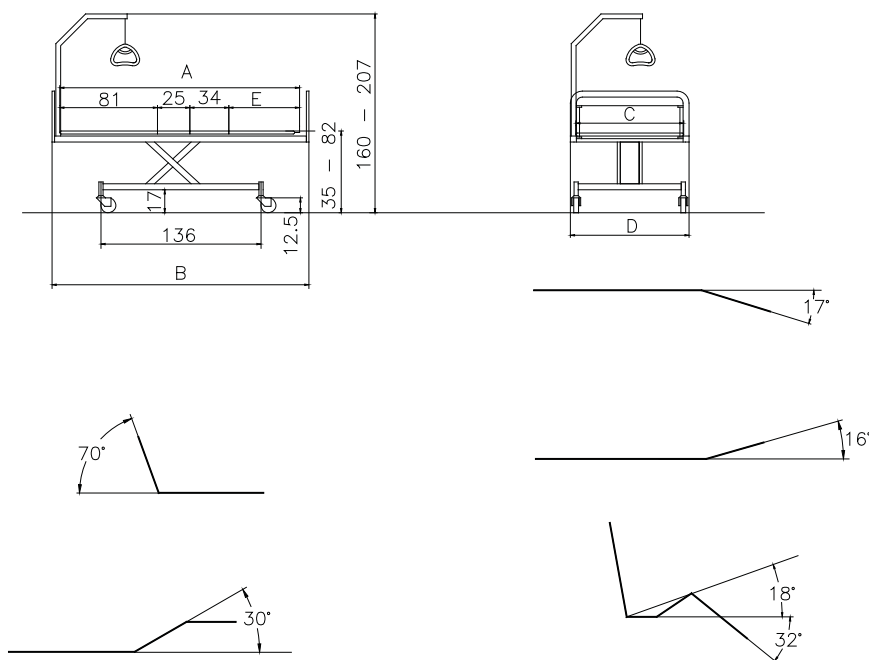
Til smøring brukes medisinsk ren olje, f.eks. KEW-WO 50, bestillingsnr.: 813239 og fett, bestillingsnr.: 1497607.

14. Rengjøring

SB750™ tåler ikke høytrykkspyling eller maskinvask. Benytt ordinære desinfiserings midler. Tørk sengen etter vask. Bruk aldri syrer, baser eller oppløsningsmiddel. Sørg for at sengens nettledning er trukket ut av kontakten. Sengens hjertebrett kan legges helt frem over liggeflaten, noe som letter rengjøringen og tilgangen til styringen.

Spesielt vedr. rengjøring av håndkontroll, styring og motorer IP 66: Vaskes med børste og vann. Vannet kan være under trykk, men ikke spyl direkte på apparatet med høytrykksspyler eller damprensere.

15. Tekniske spesifikasjoner

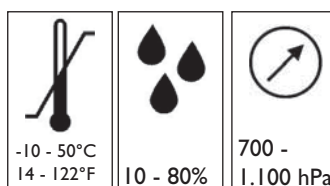


Alle mål er oppgitt i cm. Alle vinkler er oppgitt i grader.
 Alle mål og vinkler er oppgitt uten toleranser.
 Invacare® forbeholder seg retten til å endre mål og vinkler på tegningen.

WxL	A	B	C	D	E
85x200	200	213	85	95	60
90x200	200	213	90	101	60
85x183	183	196	85	95	43
90x183	183	196	90	101	43
105x200	200	213	105	116	60
120x200	200	213	120	131	60

Betingelser for transportering og lagring:

Temperatur mellom -10° og 50° C
 Luftfuktighet mellom 10 og 80 % RH
 Lufttrykk mellom 700 - 1.100 hPa



16. Elektriske data

Nettspenning:	230 V AC/50 Hz.
Maks. strømforbruk:	1,5 A.
Intermittent (periodisk bruk af motorerne):	10% max. 6 minutter/time.
Maks. akkumulatorkapasitet:	1,2 Ah.
Tetthetsklasse:	IP 66.
Effekt:	70 VA.
Lydtrykk:	48 Db (A).

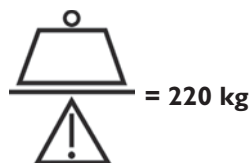
Dobbeltisolert, klasse II, type B.



Vekselstrøm: 

Jevn strøm: 

Max. last (SWL)
(Pasient + madrass + sengehest + søsterhjelp + evt. annet tilbehør).



Brukeren er ikke adskilt fra jord og chassis.



Potensialeutligning.



Styringen har ingen avbryter, den kan kun kobles fra ved å ta ut støpselet fra stikkontakten.

17. Vekt

Mål / Vekt	85x200 90x200	105x200	120x200
Overramme-hode, med liggeflate	25 kg	34 kg	36 kg
Overramme-fot, med liggeflate	25 kg	36 kg	39 kg
Understell	40 kg	40 kg	42 kg
Samlet seng exsl. tilbehør	90 kg	110 kg	117 kg
Endegavler (SANNE III/FLEX III/KARIN III)	6 kg/stk.	7 kg/stk.	8 kg/stk.
Tresidegrind (BRITT II/BRITT III)	7 kg/stk.	7 kg/stk.	7 kg/stk.
Tresidegrind (BRITT IV)	8 kg/stk.	8 kg/stk.	8 kg/stk.
Sengegavler (ODA/PIGGY)	6 kg/stk.	-	-
Metallsidegrind	7 kg/stk.	7 kg/stk.	7 kg/stk.
Løftebøyle/søsterhjelp	6,5 kg	6,5 kg	6,5 kg

18. Bortskaffelse

Dette produktet er levert fra en miljøbevist leverandør som oppfyller normene i Waste Electrical and Electronic Equipment (WEEE) Directive 2002/96/CE.

Dette produktet kan inneholde emner som kan skade miljøet om det ikke resirkuleres etter norske regler.

Symbolet, den »overkryssede søppelkasse« er plassert på dette produktet for å oppfordre til resirkulering da dette er mulig.

Vær vennlig å ta miljøansvar, resirkuler dette produktet gjennom din gjenvinningsstasjon.



Sisältö

Käyttöohjeet	6
1. Yleistä	6
2. SB750™ toiminnot	7
Tekniset tiedot	10
3. Turvatiedot	10
4. SB750™ -sängyn vastaanottaminen kokoamispaikalle	11
5. Lisälaitteiden asennus	13
6. SB750™ -sängyn purkaminen/kokoaminen	15
7. Johdot	17
8. Lisälaitteiden tilausnumerot	19
9. Kunnossapito ja tarkistukset	21
10. Akkuvarmistuksella varustetut sängyt	21
11. Kunnossapidon tarkistuslomake	22
12. Vianmääritys, sähköjärjestelmä	23
13. Voitelu	23
14. Puhdistus	24
15. Tekniset tiedot	24
16. Sähköjärjestelmän tiedot	25
17. Paino	26
18. Jätehuolto	26

Käyttöohjeet

Onnittelut *Invacare*® **SB750**TM-sairaalasängyn hankinnasta.

- Sänky on suunniteltu yli 12-vuotiaille laitos- tai kotihoidossa oleville potilaille.
- Sänky on erittäin kestävä ja ergonominen, ja sen lisäksi helppo purkaa ja käyttää.
- Sängyn ainutlaatuisen selkänöjan ansiosta potilaan mukavuus on huippuluokkaa, ja hoitaja voi suorittaa hoitotoimenpiteet ergonomisesti oikeassa työskentelyasennossa.

Potilaan mukavuuden optimoimiseksi *Invacare*® EC-Høng A/S, suosittelee käytettäväksi 12 senttimetrin patjaa.

I. Yleistä



ScanBed 750TM täyttää kaikki maksimivälivaatimukset. Kuitenkin jos sängyn käyttäjä on pienikokoinen, on kiinnitettävä huomiota, ettei potilas luiskahda läpi sivulaitojen välissä olevista raoista tai sivulaidan ja patjatuen välissä olevasta raosta.



Sängyn käyttö on kielletty alle 12-vuotiailta, tai potilailta, joiden vartalon koko on 12-vuotiasta vastaava tai pienempi.



Sänkyä, koottuna sivulaitojen kanssa, ei saa käyttää henkilö, joka painaa alle 45 kg tai on alle 150 cm pitkä, tai henkilö, joka on rauhaton (kouristukset) tai sekava, paitsi jos:

- ammatillinen riskiarviointi on tehty ja hyväksytty tai
- oikein asennettua turvasuojusta käytetään sivulaidoilla



Kun käytetään sivulaitoja ja turvasuojusta, on tärkeää varmistaa niiden sopivuus - muuten on kiinnijäämisen / tukehtumisen vaara patjatuen, sivulaidan ja sängyn päädyn välissä.



Mikäli sänkyä käyttää rauhaton tai sekava henkilö, ACP boksia voidaan käyttää estämään käsihallintatoiminnot ja/tai patjatuen jalkaosan alapuolelle voidaan asentaa rajoittava poikkipuu.



Varmista, että sänky on säädetty alimpaan asentoon, kun sänky on käyttämättömänä - tällöin sängyn alasputoamisriski tai riski henkilön kiinnijäämiseen on alentunut.



Invacare® ei ota mitään vastuuta muusta kuin tässä oppaassa esitetystä käytöstä, muutostöistä tai asennuksista.



Sänky on sijoitettava niin, että esimerkiksi nostimet tai huonekalut eivät estä korkeuden säätöä (ylös/alas). Muutoin käyttäjä saattaa loukkaantua ja/tai laite vaurioitua.

Sänkyyn mennessä tai siitä noustessa tulee käyttää korkeudensäätöä. Lisäksi selkäosaa voi käyttää tukena (keltainen nappula käsiohjaimessa). Reisi- ja säärisäätöjen tulee olla vaakatasossa, sillä muuten patjan kannattimet voivat yli-kuormittua.

2. SB750™ toiminnot

Sänkyyn voidaan liittää seuraavan tyyppinen käsiohjain (Soft Control):

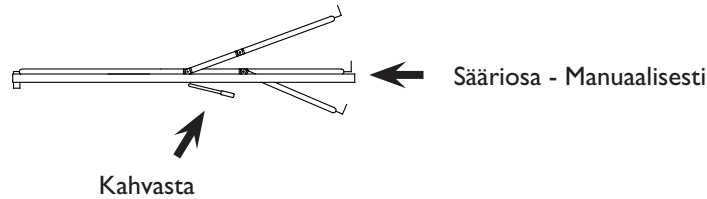


Tai tämäntyyppisen käsiohjaimen kanssa: (HB 70)



Jalkaosan toiminta kaasujousellisissa sängyissä

Nosta kahvaa yhdellä kädellä samalla, kun säädät säärionan haluttuun asentoon toisella kädellä. Päästä irti kahvasta.



Jalkaosa toimii Rastofix –säädöllä 120cm leveässä SB750 sängyssä.

Jalkaosan nostaminen: Nosta jalka osa haluttuun korkeuteen.

Huom: Varmista, että molemmat Rastofix kiinnikkeet ovat lukittuneet paikoilleen asianmukaisesti.

Jalkaosan laskeminen: Nosta jalkaosaa hieman ja sitten laske se vaakatasoon.



Jätä sänky aina säädettynä alimpaan asentoon. Muutoin saattaa seurata puristumisvaara, jos patjantuki painuu vahingossa alas. Jos henkilö on sängyn alla sängyn korkeutta säädettäessä, tästä voi aiheutua vakavia vammoja.

Pyörien jarrujen toiminnot

<p>Pyörät, joissa ei ole keskuslukitusta Kun sänky on asetettu oikeaan paikkaan, vähintään yksi pyörä pääpuolella ja yksi jalkopäässä on pidettävä lukittuina.</p> <p>1) Pyörien lukitseminen: Paina jalalla pyörän jarrua. 2) Lukituksen vapauttaminen: Paina jalalla vapautusvipua.</p>	
<p>Keskuslukituksella varustetut pyörät Kun sänky on asetettu oikeaan paikkaan, pyörien on oltava lukittuina.</p> <p>1) Pyörien lukitseminen: Jos jarru ei ole käytössä, paina jalalla punaista poljinta. 2) Lukituksen vapauttaminen: Paina jalalla vihreää poljinta, kunnes jarru on poissa käytöstä.</p>	
<p>Suuntaohjauksella varustettu pyörä Keskuslukituspyörillä varustettu SB750 -sänky voidaan varustaa myös suuntaohjattavalla pyörällä. Ohjattavaa pyörää käytetään keskuslukituspolkimien avulla.</p> <p>1) Ohjauksen käyttöönotto: Jos jarru ei ole käytössä, paina jalalla vihreää poljinta. 2) Ohjauksen poistaminen käytöstä: Paina jalalla punaista poljinta, kunnes jarru on poissa käytöstä.</p>	

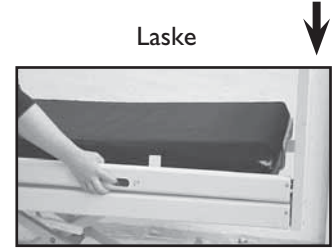
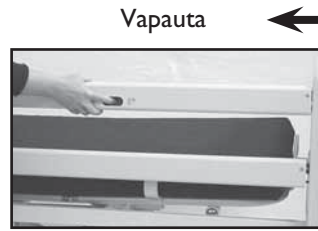
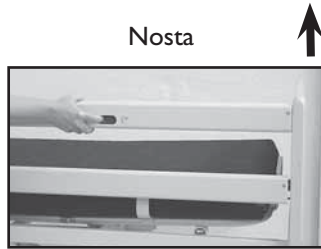
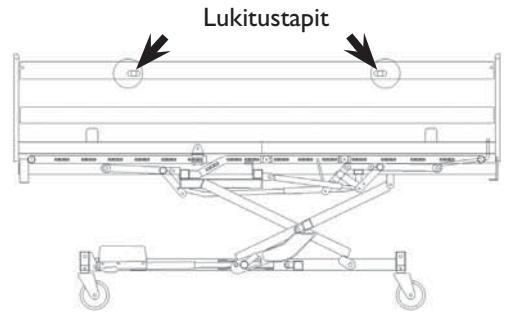
Pyöristä voi lähteä väriä tietynlaisten huokoisten lattiapinnoitteiden seurauksena – mukaan lukien käsittelemättömät tai väärin käsitellyt lattiapinnat. Epäselvissä tapauksissa Invacaren suositus on, että käytetään sopivaa suojamateriaalia pyörien ja lattiapinnan välissä.

BRITT II/III/IV -mallin puisen sivulaidan käyttö

Tässä mallissa sivulaita voidaan lukita sängynpäättyyn myös puoliväliin. Yleensä sivulaita voidaan lukita vain ylimpään asentoon.

Säätäminen ylöspäin: Vedä ylimmästä sivulaidan puista tankoa ylös, kunnes lukitustappi naksahuttaa paikoilleen

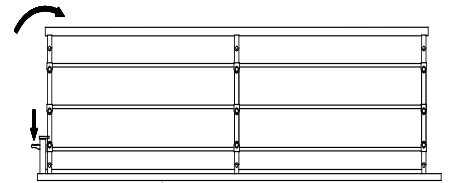
Säätäminen alaspäin: Kohota ylimmästä puista sivulaidan tankoa ja paina kumpaakin lukitustappia. Laske sitten sivulaita alas.



Teräksisen sivulaidan käyttö

Säätäminen ylöspäin: Nosta sivulaidan ylimmästä teräksistä tankoa lukitusmekanismiin sisältävää päätä kohti.

Säätäminen alaspäin: Paina lukituksen vapautuspainiketta ja vedä sivulaidan ylintä tankoa pois päin lukitusmekanismista.



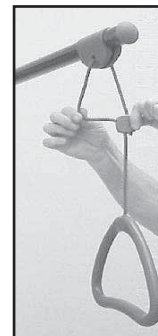
Sivulaitoja asennettaessa ja käytettäessä on varottava sormien väliinjäämistä. Varmista, että sivulaidan lukitusmekanismi on lukkiutunut kunnolla vetämällä/työntämällä ylempää tankoa.

Kohottautumistuen korkeudensäätö

Löysää nauha kuvan A mukaisesti. Kohottautumistuen kahva voidaan tämän jälkeen säätää halutulle korkeudelle. Paina nauha yhteen kuvan B mukaisesti. Tarkista, että nauha on lukittuna, vetämällä kahvasta.



Sijoita kohottautumistuki siten, että kahva on sängyn yläpuolella. Jos kohottautumistukea käytetään kahvan ollessa käännettynä pois sängyn yltä, - sänky saattaa kaatua.



A



B

Tekniset tiedot

Invacare® EC-Høng A/S:llä on DS/EN ISO 9001 ja ISO 13485 -laatusertifikaatti. Tämä varmistaa, että Invacare® -tuotteiden laatu on aina yhdenmukainen.

Materiaalien ja tuotteiden laatua valvotaan koko tuotantoprosessin ajan. Lisäksi tuotteille suoritetaan niiden valmiiksi kokoamisen jälkeen lopputesti.

Lopputestin suorittaja tarkastaa kaikki tuotteen liikkuvat osat, moottorit/aasujouset ja pyörät, ja liittää tuotteeseen henkilökohtaisen QA-tunnuksensa varmistukseksi tuotteen laadusta.

QA XXX

Jos tuote ei vastaa Invacare® :n laatuvaatimuksia, se hylätään.

Jos tuotteessa tästä huolimatta ilmenee vikaa, ota yhteyttä toimittajaan, jolta olet Invacare® - tuotteen hankkinut.

3. Turvatiedot

Lue käyttöohjeen tekninen osa huolellisesti läpi ennenkuin otat sängyn käyttöön tai ennenkuin huoltotoimepiteitä aloitetaan. Sängyn oikeasta ja vasemmasta puolesta puhuttaessa puoli katsotaan sängyssä selällään makaavan potilaan näkökulmasta katsoen.

Pyydämme teitä huomioimaan, että käyttöohjeessa voidaan kertoa ominaisuudesta tai toiminnosta, jota ei teidän sängyssänne ole.

- **SB750** on CE-merkinnän saanut tuote lääkinnällisiä laitteita koskevan direktiivin 93/42/ETY n mukaisesti.
- Tanskassa Hjælpemiddelinstutttet EN 1970 hyväksyntä.
- **SB750**-sängyn on EMC-testannut (electromagnetic compatibility, sähkömagneettinen yhteensopivuus) Tanskan sähkötarvikkeiden tarkastusviranomainen UL Demko (Danish Electrical Materials Control).
- EN 14971-standardin mukainen riskianalyysi suoritettu.
- Hyväksytyt enimmäiskuormitus: 220 kg mukaan lukien laitteet.

Potilaan enimmäispaino: 185 kg.

Ohjausyksikkö ja moottorit suojattu IP 66 -standardin mukaisesti. Jos sähköisellä osalla on IP 66 -suojaus, ohjausyksikön lukkovicupia **täytyy** käyttää.

Muussa tapauksessa Invacare® ei anna takuuta laitteen turvallisuudesta.



Sängyn ja muiden sähkölaitteiden välillä voi esiintyä sähkömagneettista häiriötä. Sähkömagneettisen häiriön vähentämiseksi tai poistamiseksi sierra sänky ja muut sähkölaitteet kauemmaksi toisistaan tai sulje muut sähkölaitteet. Sänkyä voidaan käyttää yhdessä lääketieteellisten sähkölaitteiden kanssa, edellyttäen että seuraavat kohdat täyttyvät:

- Sänky tulee olla varustettu potentiaalitasausterminaalilla (ks. symboli ohjekirjan takaa)
- Lääketieteellisten sähkölaitteiden ei tule olla kosketuksissa sängyn metallirungon tai-tarvikkeiden kanssa.

Lisäksi lääketieteellisten sähkölaitteiden virtajohdot tulee pitää irti sängyn lisäosista tai muista liikkuvista osista.



Invacare® ei ota mitään vastuuta muusta kuin tässä oppaassa esitetystä käytöstä, muutostöistä tai asennuksista.

Jos sänky toimii virheellisesti, lähetä sänky välittömästi luvussa 11 olevan kunnossapitolomakkeen mukaiseen tarkistukseen.

4. SB750™ -sängyn vastaanottaminen kokoamispaikalle



Kosteuden tiivistymisen vuoksi sänkyä ei saa ottaa käyttöön ennen kuin se on huoneenlämpöinen 10-50 °C.



Tarkista, ettei sängyssä näy mitään ulkoisia vaurioita. Jos vaurioita on, tarkista toimitusehdot.

Jos sänky on toimitettu osina, se on koottava. Ks. luku 6 ”SB750 -sängyn purkaminen/kokoaminen”.

Tarkista, että patjantuen ja alarungon liitos on lukittu kunnolla (ks. oheinen kuva).

Tarkista, että moottorien ja käsiohjaimen pistokkeet on kytketty ohjausyksikköön oikein, painettujen symbolien mukaisesti.

Lukitustappi/-jousi lukittuna



Lukitustappi/-jousi lukitsemattomana



Sängyn pyörien on oltava lukittuina hoitotoimenpiteiden aikana.



Irrota verkkojohto ennen sängyn siirtämistä paikasta toiseen. Varmista, että johto ei ole lattialla tai pyörien alla sängyn siirtämisen aikana.

Kytke **SB750** verkkovirtaan.

Ergonomisesti oikean työasennon saaminen: Säädä sängyn korkeus noin puoleenväliin.

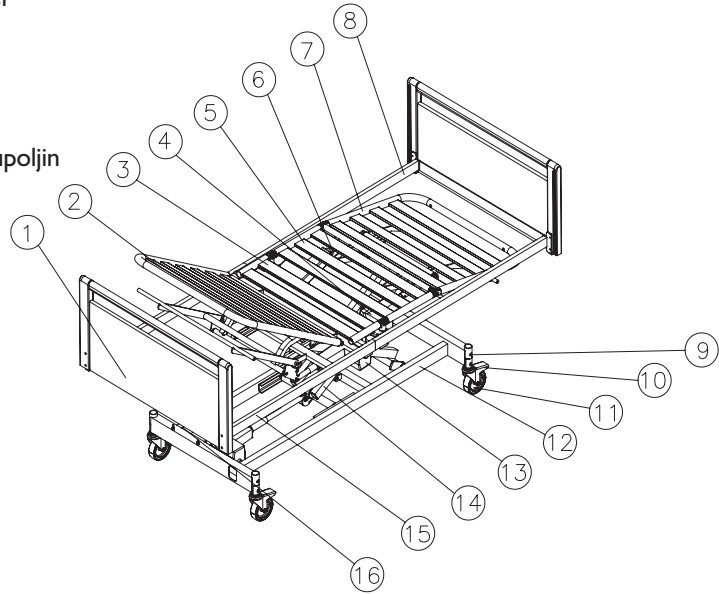
Ks. luku 2 ”SB750 -sängyn käyttö”.

Lisälaitteiden asennus: Lisälaitteita ovat sängynpäädyt, sivulaidat, kohottautumistuki sekä törmäysrulla.

Ks. luku 5 ”Lisälaitteiden asennus”.

Sängyn vakio-osat

1. Kuusiokoloavain
2. Selkänoja
3. Istuinosa
4. Sääriosan 24 V moottori/sääriosan kaasujousi
5. Reisisosa
6. Reisisosan 24 V moottori
7. Sääriosa
8. Ylärunko, jalkopää
9. Keskuslukituksella varustettujen sängyjen jarrupoljin
10. Erillisillä jarruilla varustettujen pyörien jarru
11. Pyörä
12. Alarunko
13. Selkänojan 24 V moottori
14. Liukugarret
15. Ylärunko, pääpuoli
16. Ohjausyksikkö



Lisälaitteet

- Akkukotelo
- Liittimet
- Sängynpäätty
- Puinen sivulaita
- Teräksinen sivulaita
- Siipiruuvi
- Kohottautumistuki
- Törmäysrulla

Patjanpidikkeiden hätävapautus

Patjantuen hätävapautus on tarpeen virtakatkoksen tai moottorivian sattuessa. Korkeudensäädön hätävapautus EI ole mahdollista.

- Irrota verkkovirtajohto ennen patjantuen hätävapautusta.
- Hätätilanteessa patjantuen osat vapautetaan vetämällä sokka pois kyseisestä moottorista/kaasujousesta.

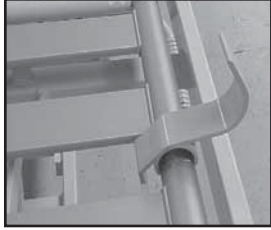


Patjantuen osien vapautukseen tarvitaan vähintään kaksi henkilöä. Kummatkin pitävät kyseistä osaa paikoillaan. Toinen vetää sokan irti. Tämän jälkeen molemmat yhdessä laskevat osan hitaasti alas, kunnes se on täysin alhaalla.

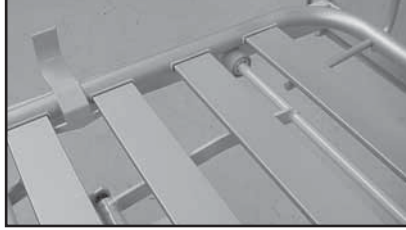
5. Lisälaitteiden asennus

SB750 -sängyn lisälaitteiden asennukseen ja irrotukseen tarvitaan kuusiokoloavain ja jakoavain. Kuusiokoloavainta säilytetään ylärungon pääpuolella poikittuen sisäpuolella. Kuusiokoloavainta käytetään kaikkien liittimien asentamiseen ja irrottamiseen.

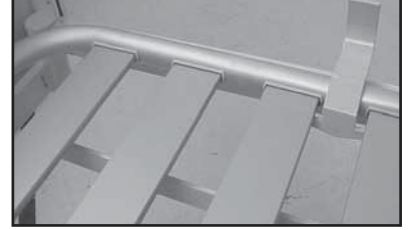
Patjan kahvan kiinnitys



Patjan kahva on kiinnitetty patjan runkoon.



Kiinnitetään selkätuen kolmannen ja neljännen lamellin väliin.

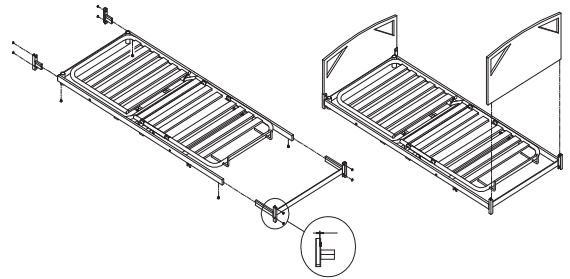


Kiinnitetään jalkaosan kolmannen ja neljännen lamellin väliin.

Liittimien asennus

(Jos liittimiä ei ole laitettu paikoilleen jo tehtaalla)

1. Laita paikoilleen pääpuolen kaksi pientä liitintä ja kiristä ne kuusiokoloavaimella.
2. Laita isot liittimet ja hitsattu liitin paikoilleen jalkopäähän ja kiristä ne kuusiokoloavaimella.



PIGGY- ja ODA -sängynpäätysten asennus

Kiinnitä sängynpäätystä painamalla se U-profiileihin.

FLEX III/KARIN III -sängynpäädyn asennus

Aseta pääty pulttiliittimiin ja kiristä pultit kuusiokoloavaimella.

SANNE III -sängynpäädyn asennus

Aseta sängynpäädyn molemmissa reunoissa olevien liittimien lovet sängyssä olevien liittimien tappien kohdalle ja paina pääty paikoilleen. Pääty lukittuu paikoilleen automaattisesti. Varmista, että sängynpäätty on lukittuneena paikoilleen.



SANNE III -sängynpäädyn irrotus

Vedä lukitustappi pois ja käännä se poikittain.

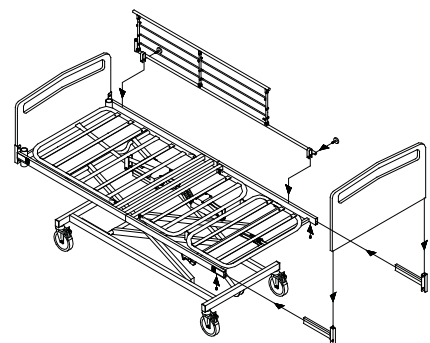
Toista sama toisella puolella. Vedä tämän jälkeen sängynpäätty ylös ja irti sängystä.

Teräksisen sivulaidan asennus/irrotus

Asennus: Katso kiskossa olevaa etikettiä.

Kiristä sivulaita paikoilleen kahdella siipiruuvilla.

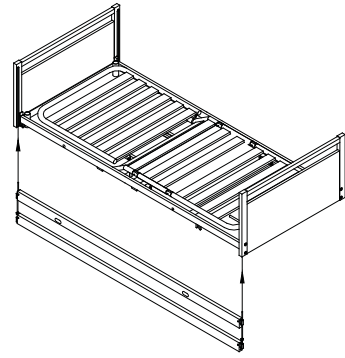
Irrotus: Irrota siipiruuvit ja irrota sitten sivulaita.



BRITT II/III/IV sivulaidan asennus

1. Nosta sänky noin 1/3 korkeuteen.
2. Irrota suojateippi lukitusnastoista sivulaitojen päädyistä.
3. Nosta yksi laita kerrallaan. Nosta alemmaa puulaitaa ja ohjaa metallinen kaari sängyn pätyyn.
4. Paina lukitusnastaa sormella.
5. Ohjaa sivulaita ylös sängyn pätyyn kunnes lukitus naksahda itsestään lukkoon ja estää sängynlaidan putoamisen.

Toista kohdat 3:sta 5:een kun asennat toisen puolen sivulaidan.

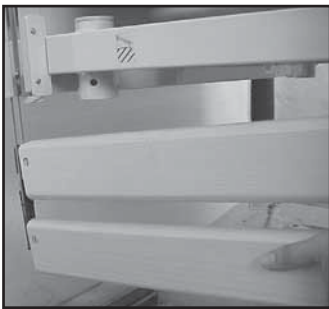


BRITT II/III/IV sivulaidan poistaminen

1. Nosta sänky noin 1/3 korkeuteen. Laske sivulaitaa.
2. Irrota sivulaita kerrallaan.
3. Nosta alemmaa puulaitaa niin että lukitus tulee näkyviin.
4. Paina lukitusnappi alas ruuvimeisselillä (C). Kannattele alemmaa sivulaitaa. Laske sivulaitaa kunnes metallinen kaari putoaa kiskosta.

Toista kohdat 2:sta 4:ään kun irrotat toisen puolen sivulaidan.

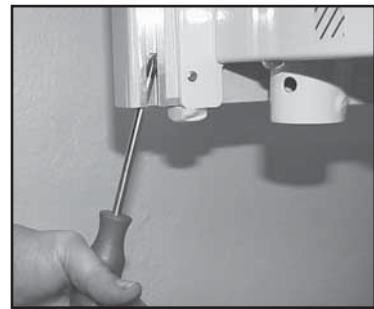
A



B



C



Kohottautumistuen asennus

Poista muovitulppa putkesta, johon kohottautumistuki asennetaan.

Asenna kohottautumistuki paikoilleen - Kiinnitä tuki siipiruuvilla.

Kohottautumistuen putki, jossa muovitulppa

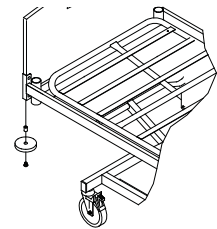
Siipiruuvilla



Törmäysrullan asennus

Laita törmäysrullan holkki paikoilleen - ja kiristä se liittimen alla olevalla ruuvilla.

Törmäysrullia ei voi asentaa SANNE-sängynpätyihin.



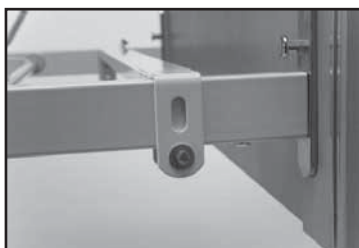
Rajoittavan poikkipuun asennus jalkaosan alle



Mikäli sänkyä käyttää rauhaton tai sekava henkilö, ACP boksia voidaan käyttää estämään käsihallintatoiminnot ja/tai patjatuen jalkaosan alapuolelle voidaan asentaa rajoittava poikkipuu.

Nosta patjatuen jalkaosaa ja nostovipua ja asenna rajoittava poikkipuu. Kiristä kummatkin ruuvit.

Rajoittava poikkipuu on asetettu tähän



Ruuvit kiristetty



Oikein asennettu rajoittava poikkipuu



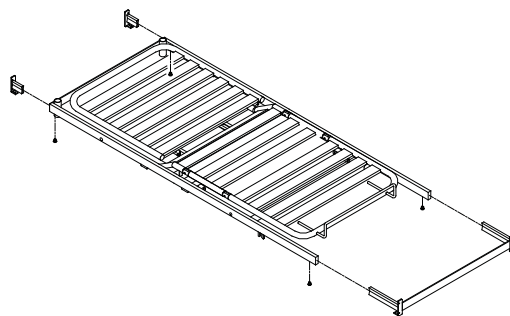
Sisäänrakennetun patjantuen pidennyksen käyttö



Varoitus! Jotta käyttäjä ei jäisi kiinni / vahingoittaisi itseään, on tärkeää välttää sängynpäätien pidentämistä ilman, että myös patjatuki on pidennetty ja kiinnitetty asianmukaisesti.

Patjantuen pidennys otetaan käyttöön kuusiokoloavaimella. Kuusiokoloavainta säilytetään pääpuolella poikkituen sisäpuolella.

1. Poista puiset sivulaidat (ks. luku 5).
2. Poista kuusiokoloavaimella kaksiruuvia, jotka kiinnittävät liittimen laidan alle.
3. Vedä liittintä, kunnes se on noin 16 sentin pituinen, aseta ruuvit takaisin ja kiristä ne.
4. Löysää sääriosan patjantuen alla olevaa kahta ruuvia, vedä tuki kokonaan ylös ja kiristä ruuvit uudelleen.
5. Laita patjantuen pidennys paikoilleen.



6. SB750™-sängyn purkaminen/kokoaminen

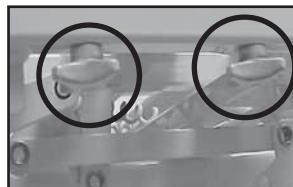
Purkaminen

1. Varmista, että pyörät ovat lukittuina.
2. Irrota kaikki lisälaitteet.
3. Säädä korkeus merkittyyn kohtaan niin, että alarungon ohjaimen vivut ja liukugarret ovat vastakkain.
4. Katkaise virta.
5. Ota ohjausyksikön lukitusvipu pois.
6. Irrota selkänojan, reisiosan ja sääriosan moottorien pistokkeet ja tarkista, etteivät johdot ole jääneet kiinni alarunkoon.
7. Irrota kummankin laidan molemmat siipiruuvit.
8. Vedä ylärunгон pääpuolta pois laitojen holkeista, kunnes sitä ei saa vedettyä enempää, ja laske osa sitten lattialle.
9. Avaa ylärunгон sääriosan kaksi lukkoliitintä/jousilukkoa vetämällä lukitustappi pois ja kääntämällä se oikealle.
10. Laske ylärunгон sääriosa alas ja irrota se alarungosta. Irrota ylärunгон pääpuoli alarungosta.
11. Kytke alarunkoon virta ja laske alarunko kokonaan alas.

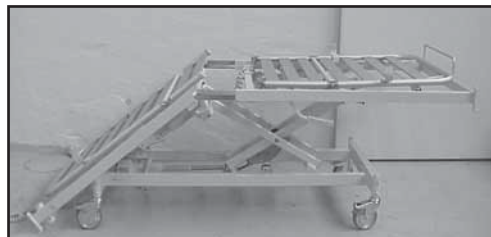
3.



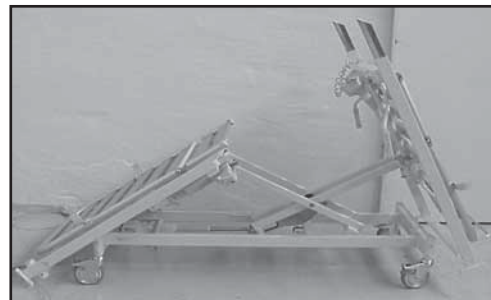
7.



8.



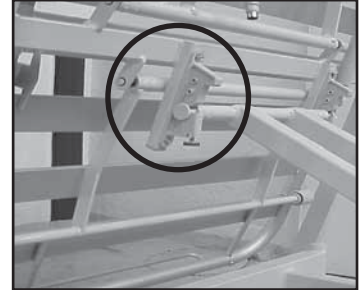
10.



Kokoaminen

1. Varmista, että pyörät ovat lukittuina.
2. Kytke alarunko verkkovirtaan.
3. Säädä korkeus merkittyyn kohtaan niin, että alarungon ohjaimen vivut ja liukuvarret ovat vastakkain. Kuvitus 3, sivu 15).
4. Nosta ylärunгон jalkopäätä niin, että kaksi lukkoliitintä/jousilukkoa menevät liukuvarsien tappeihin (4.1).

4.1



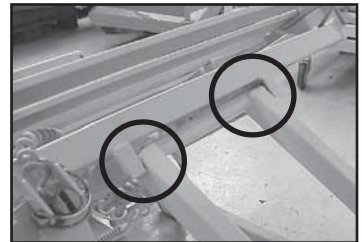
Varmista, että lukitustappi naksahda paikoilleen ja on lukittuna (4.2).
Laita sitten ylärunгон jalkopää vaakasuoraan.

4.2



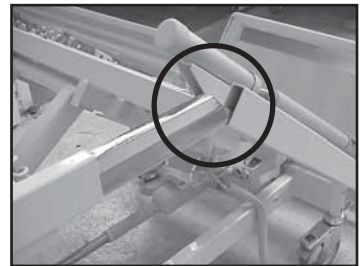
5. Aseta ylärunгон pääpuoli alarungon eteen ja laske sitä alaspäin, kunnes muoviset liukusäätimet menevät ohjaintankoon.

5.



6. Nosta ylärunгон pääpuolta ja työnnä se holkkeihin pohjaan asti.

6.



7. Kiristä laidat ruuveilla, joita tulee kaksi kumpaankin laitaan.

7.

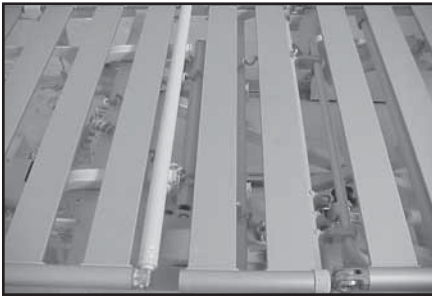


8. Kytke selkänöjan, reisi- ja sääriosan moottorien pistokkeet ohjausyksikköön, nähdä luku 7. Johdot.
9. Asenna lisälaitteet.

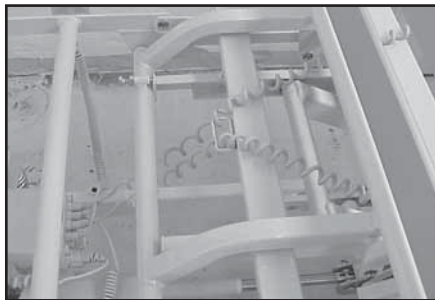
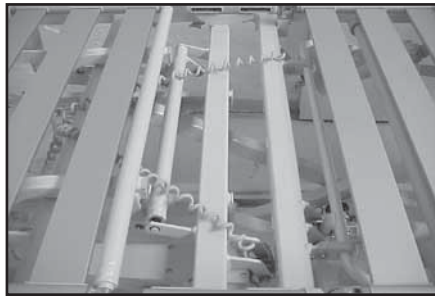
7. Johdot



Johdot lähtevät pohjasta ja kulkevat moottorin kiinnikkeen päässä olevan uran läpi.



Johdot kulkevat makuualustan ritilän alla.

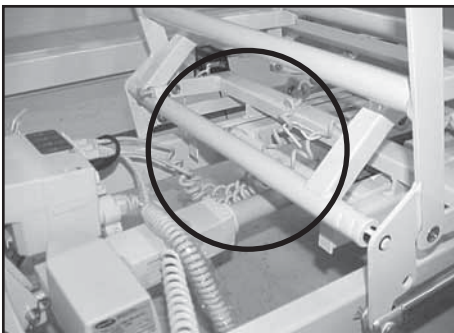


Vie johdot kaapelikaaren läpi ohjauksikköön.

Näissä kuvissa näkyy sänky, jossa on kaksi moottoria makuutasoa varten.

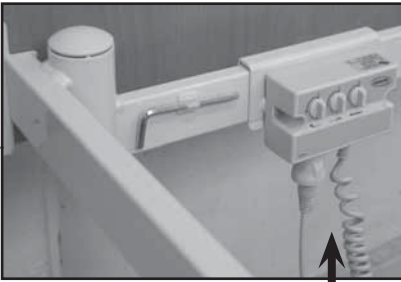
Säädä johtoja viemällä kaikki sängyn moottorit ääriasentoon.

Kun johdot on oikein asennettu, johtojen litistymisen vaaraa ei ole.



On tavallista, että johdot löystyvät hieman lyhyen käytön jälkeen.

ACP-rasia (lisävaruste)



Käsiohjaimen toiminnot voidaan lukita aktivoimalla sängyn päätyosassa olevassa ACP-rasiassa oleva katkaisija.
Kun olet estänyt käsiohjaimen toiminnot, kokeile vielä käsiohjainta käyttäen että esto on pitävä



Auki



Lukittu



**Turvalukon
poistaminen**

ACP-rasiaan yhdistetyn käsiohjaimen irrottaminen

Paina turvalukon valkoista uloketta sisäänpäin, niin voit avata turvalukon ja irrottaa käsiohjaimen.

8. Lisälaitteiden tilausnumerot

Tuote	Mitat	Tilausnumero
PUINEN SÄNGYNPÄÄTY		
SANNE III (pyökki)	85 cm	020429.01
SANNE III (pyökki)	90 cm	020740.01
SANNE III (pyökki)	105 cm	021953.01
SANNE III (pyökki)	120 cm	021954.01
SANNE III (kirsikka/pyökki)	90 cm	021956.07
SANNE III (pyökki, korotettu ja madallettu *)	85 cm	1451258-0101
SANNE III (pyökki, korotettu ja madallettu *)	90 cm	1451257-0101
SANNE III (pyökki, korotettu ja madallettu *)	105 cm	1484403-0101
SANNE III (pyökki, korotettu ja madallettu *)	120 cm	1484404-0101
*) Käytetään puisen LILLI III -sivukaiteen kanssa		
FLEX III (pyökki)	85 cm	020417.01
FLEX III (pyökki)	90 cm	020737.01
PIGGY (pyökki / U-profiilit)	85 cm	020431.01
PIGGY (pyökki / U-profiilit)	90 cm	018940.01
ODA (pyökki / U-profiilit)	85 cm	020430.01
ODA (pyökki / U-profiilit)	90 cm	016609.01
Myös muita sängynpäätymalleja on saatavana - kysy Invacarelta.		
SIVUKAIDE		
Scala Basic Metallinen sivukaide (taitettava, löyhä sormiruuvi)		1432784-1015
Scala Basic Plus Metallinen sivukaide (taitettava, muovinen kosteussuoja)		1432787-1015
Scala Medium Metallinen sivukaide (taitettava)		1432781-1015
Scala Decubi Metallinen sivukaide (taitettava)		1432793-1015
Metallinen sivukaide, malli 5539 (taitettava, löyhä sormiruuvi/pitkä)		50.55390.D0/L+R
BRITT IV puinen sivukaide (korkeus + 2.5 cm) (pyökki)		1427875-0101
BRITT IV puinen sivukaide (korkeus + 2.5 cm) (kirsikka)		1427875-0102
BRITT IV puinen sivukaide (korkeus + 2.5 cm) (valkopyökki)		1427875-0105
BRITT III puinen sivukaide (pyökki)		020434.01
BRITT III puinen sivukaide (pyökki/lyhyt)		021342.01
BRITT III puinen sivukaide (kirsikka)		020434.02
BRITT III puinen sivukaide (valkopyökki/lyhyt)		021342.05
BRITT III puinen sivukaide (valkopyökki)		020434.05
BRITT II puinen sivukaide (pyökki/pitkä)		019372.01
BRITT II puinen sivukaide (kirsikka/pitkä)		019372.02
BRITT II puinen sivukaide (valkopyökki/pitkä)		019372.05
LILLI III puinen sivukaide (pyökki)		1433812-0101
LILLI III puiset sivulaidat (kirsikka)		1433812-0102
LILLI III puinen sivukaide (pyökki/pitkä)		1434044-0101
Kiinnikkeet patjatuen jatketta varten		017639.D0
TUKIKAHVA		
Tukikahva	25x30 cm	021964.D0
Tukikahva	40x50 cm	021963.D0
Tukikahva	25x80 cm	1417510-1015
Tukikahva	40x30 cm	1417511-1015
Tukikahva	40x95 cm	1417512-1015
TUKITANKO		
Tukitanko		50.57600.D0
RAJOITTAVA POIKKIPUU		
Rajoittava poikkipuu (estää jalkaosan laskemisen ylärungon tason alapuolelle)		1510820-1015

Tuote	Mitat	Tilausnumero
NESTEENANTO		
Nesteenantoteline		50.60030.D0
Nesteenantoteline (kiinnitys tukitankoon)		50.60910.00
TÖRMÄYSSUOJATUT PYÖRÄT		
Törmäyssuojatut pyörät (yksi)	75 mm	50.59600.00
Törmäyssuojatut pyörät (yksi)	100 mm	50.59610.00
Törmäyssuojatut pyörät (yksi)	150 mm	50.59640.00
Törmäyssuojatut pyörät (yksi, vertikaalinen)	100 mm	50.59630.D0
PATJAT		
Dacapo perusmalli (38 kg/m ³ vaahtomuovi, puuvilla)	85x200x10	1421530
Dacapo perusmalli (38 kg/m ³ vaahtomuovi, puuvilla)	90x200x10	1421531
Dacapo perusmalli (38 kg/m ³ vaahtomuovi, puuvilla)	105x200x10	1421532
Dacapo perusmalli (38 kg/m ³ vaahtomuovi, puuvilla)	120x200x10	1421533
Dacapo Basic (38 kg/m ³ vaahtomuovi, kosteussuoja)	88x200x12	1421551
Dacapo Basic (38 kg/m ³ vaahtomuovi, kosteussuoja)	83x200x12	1421552
Dacapo Basic (38 kg/m ³ vaahtomuovi, kosteussuoja)	88x183x12	1421555
Dacapo Basic (38 kg/m ³ vaahtomuovi, kosteussuoja)	83x183x12	1421556
Dacapo Basic painavalle käyttäjälle (3 pinnoitetta 50/50/38 kg/m ³ kosteussuoja)	105x200x15	1484429
Dacapo Basic painavalle käyttäjälle (3 pinnoitetta 50/50/38 kg/m ³ kosteussuoja)	120x200x15	1451262
Dacapo orgaaninen (50 kg/m ³ orgaanista vaahtomuovia, munakennomalli, kosteussuoja)	85x200x12	1421572
Dacapo orgaaninen (50 kg/m ³ orgaanista vaahtomuovia, munakennomalli, kosteussuoja)	90x200x12	1421573
Dacapo Combi (2 pinnoitetta 50/38 kg/m ³ , Viskoelastinen/kylmävahto, inkontinenssisuoja)	85x200x14	1421489
Dacapo Combi (2 pinnoitetta 50/38 kg/m ³ , Viskoelastinen/kylmävahto, inkontinenssisuoja)	90x200x14	1421490
Dacapo Square (2 pinnoitetta 50/38 kg/m ³ , orgaaninen vaahto, kylmävahto, inkontinenssisuoja)	83x200x14	1421515
Dacapo Square (2 pinnoitetta 50/38 kg/m ³ , orgaaninen vaahto, kylmävahto, inkontinenssisuoja)	88x200x14	1421516
Dacapo Top (50 kg/m ³ viskoelastinen vaahtomuovi, kosteussuoja)	85x200x6	1421587
Dacapo Top (50 kg/m ³ viskoelastinen vaahtomuovi, kosteussuoja)	90x200x6	1421588
Pidennettyihin sänkyihin voi ostaa yksilöllisesti sopivan patjan.		
MADALLUSSARJA		
Madallussarja on varustettu Ø75 mm jarrullisilla pyörillä		021343.D0
SIVUL AidAN SUOJAT		
Scala suoja Britt III:lle ja IV: ja Lilli III lle puinen sivulaita		1449412
Scala suoja Britt III:lle puinen sivulaita, lyhyt		1449411
Scala suoja Britt II:lle ja Lilli III:lle puinen sivulaita, pidennetty		1493565
Scala suoja Britt III:lle ja IV:lle Lilli III:lle puinen sivulaita, verkko		1449413
Scala suoja Britt II:lle ja Lilli III:lle puinen sivulaita, verkko, pidennetty		1449415
Scala suoja metalliselle sivulaidalle, perusmalli		1449423
Scala suoja metalliselle sivulaidalle, korotettu		1449419
Scala suoja metalliselle sivulaidalle, pidennetty		1449421
Turvasuoja Britt III:lle ja IV:lle Lilli III:lle puinen sivulaita		1511890
Turvasuoja Britt III:lle puinen sivulaita, lyhyt		1513592
Turvasuoja Britt II:lle ja Lilli III:lle puinen sivulaita, pidennetty		1511892

9. Kunnossapito ja tarkistukset

SB750 -sängyn kunnossapidon ja huollot saa suorittaa vain tähän koulutettu henkilöstö.

Kun tuote on normaalissa päivittäisessä käytössä, huolto on tehtävä huolto-ohjelman mukaisesti 2 vuoden käytön jälkeen ja sen jälkeen joka toinen vuosi.

Muuton jälkeen sängyn huolto tulee tehdä huolto-ohjelman mukaisesti.

Käytettäessä Flex tai Karin sängynpäättyjä, jotka on valmistettu pehmeästä puumateriaalista, on kuusiokantaruuvit kiristettävä säännöllisesti ja useammin kuin mitä käyttäjän oppaassa on mainittu.

Kiilojen rullat on voideltava normaalisti neljän käyttövuoden jälkeen. Ks. kohdat 4 ja 5 voitelusuunnitelmasta.



Huomautus! Ylärunko on oltava tuettuna huoltotarkastusten ajan, jotta ylärunko ei vahingossa laskeudu.

Suosittelemme moottorin toiminnallisuuden ja mekaniikan turvallisuudesta kerran vuodessa.

Moottorit, käsiohjain ja ohjausyksikkö

Nämä osat huolletaan vaihtamalla vikaantunut osa.

10. Akkuvarmistuksella varustetut sängyt

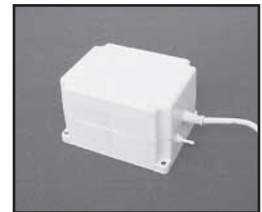
Akkuvarmistuksella varustetuissa sängyissä on ohjausyksikön vieressä ylimääräinen kotelo.

Kunnossapito

Akut on vaihdettava neljän vuoden välein. Käytön mukaan akut saatetaan joutua vaihtamaan aiemminkin. Toistuvat äkilliset akkujen tyhjenemiset lyhentävät varmistustoiminnon käyttöikää.

On suositeltavaa testata akut vähintään kerran vuodessa.

Akut eivät vahingoitu, vaikka ne olisivat jatkuvasti kiinni virtalähteessä.



Akkujen vaihto

Akut tulee vaihtaa sarjoina ja korvata samanlaisilla tai mekaanisesti ja sähköisesti vastaavilla sopivilla varaajilla:

Akut toimitetaan pareissa, tilausnumero: 818323 (12V – 1,2 Ah).

Akkujen on oltava uusia, ja ne on ladattava vähintään joka kuudes kuukausi kunnossapitoa varten. Kaikilla sarjan akuilla on oltava sama tuotekoodi.

Varmista ennen akkujen käyttöönottoa, että sarjakytkenä on tehty oikein, ks. kuva (akkukotelossa), ja ettei mikään kytkentä ole irti.

Varoitus

Vanha tai viallinen akku voi latauksessa aikaansaada räjähtävän kaasuseoksen.

Akkukotelossa on ilmaaot, jotta kotelon ilmanvaihto toimii. Ilmarakoja ei saa tukkia tai peittää, koska tämä saattaa aiheuttaa painetta ja räjähdysvaaran.

Käytetyn akun hävittäminen

Käytetyt akut voidaan palauttaa *Invacare*®:n tai hävittää kuten auton akut.

II. Kunnossapidon tarkistuslomake

SB750 -sängyn kunnossapidon ja huollot saa suorittaa vain tähän koulutettu henkilöstö						
S/N Sarjanumero (sijaitsee patjatuessa): _____						
Päiväys:	Suorittaja:					
Lukkorengaat, sokat ja muovinen kiinnitysrengas tarkistettu.						
Ruuvit kiristetty.						
Hitsausseamat tarkistettu.						
Sivulaidan lukitus ja liikuttamisjärjestelmä testattu.						
Pyörien liitokset kiristetty.						
Pyörien jarrut tarkistettu.						
Korkeudensäädön moottori tarkistettu.						
Selkänojan moottori tarkistettu.						
Reisiosan moottori tarkistettu.						
Sääriosan kaasujousi/moottori tarkistettu.						
Läpivientytkennät tehty oikein ja vahingoittumattomat. Pistokkeet vahingoittumattomat.						
Vahingoittunut pinnoite korjattu.						
Voitelu suoritetaan voitelusuunnitelman mukaisesti. Huom! Puisten sivulaitojen liukumekanismia ei saa voidella öljyllä – muuten sivulaidat liikkuvat nihkeästi.						
Lisälaitteet tarkistettu.						

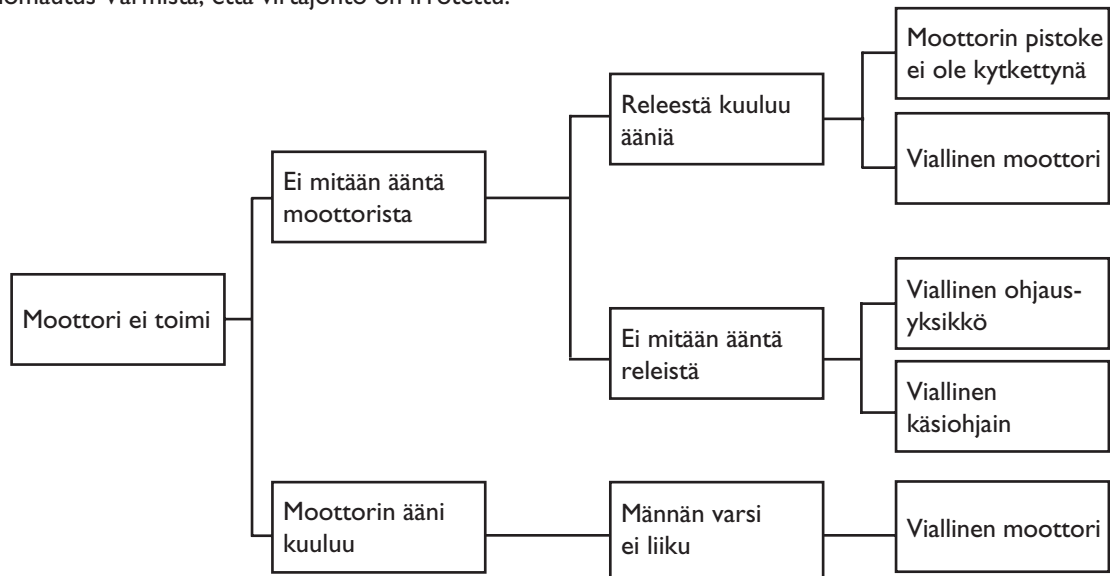
Huoltosopimus voidaan tehdä seuraavissa maissa, joissa *Invacare*® lla on oma myyntiyhtiö.

Invacare® järjestää joissakin maissa koulutusta **SB750** -sängyn kunnossapidosta ja huollosta.

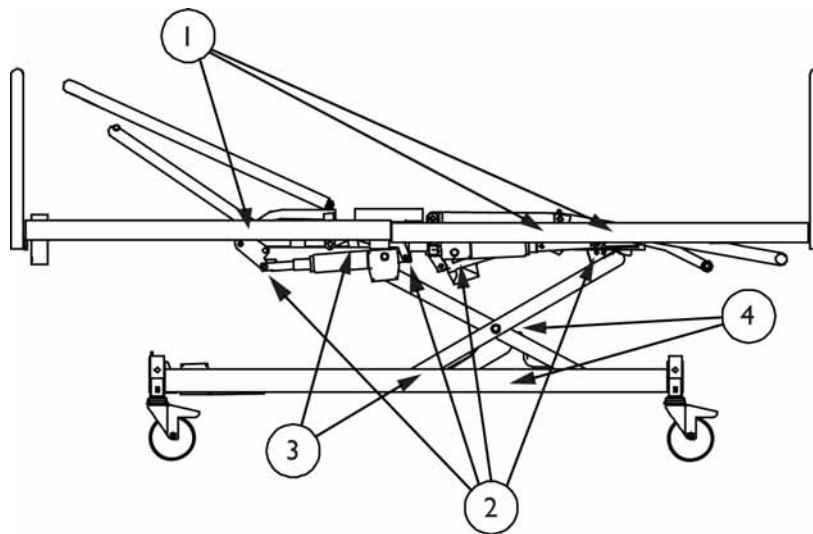
Varaosaluettelon ja käyttöoppaat saa *Invacare*® sta.

12. Vianmääritys, sähköjärjestelmä

Huomautus Varmista, että virtajohto on irrotettu.



13. Voitelu



On suositeltavaa, että **SB750** -sängyn voitelu suoritetaan seuraavien ohjeidne mukaisesti:

1. Nostovarsien laakerit - voitele voiteluöljyllä
2. Moottorin/kaasujousen laakerit - voitele voiteluöljyllä
3. Liukuosat ja ohjaintangot - voitele voitelurasvalla
4. Liukuvarren akseli ja rullat - voitele voiteluöljyllä/voitelurasvalla

Käytä voiteluaineena puhdistettua sairaalakäyttöön tarkoitettua öljyä, esimerkiksi KEW-WO 50 -öljyä, tilausnumero: 813239 ja voitelurasvaa, tilausnumero: 1497607.

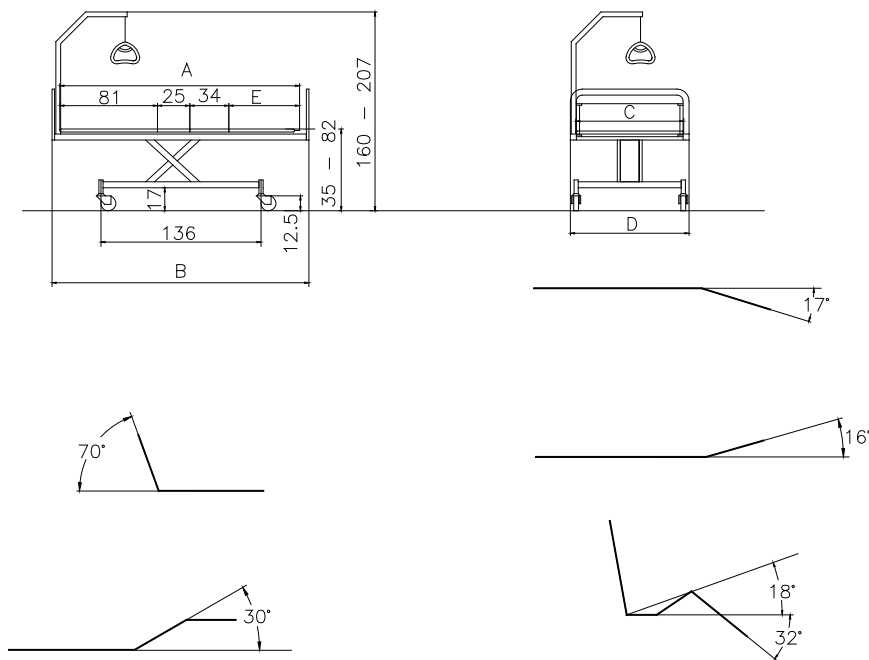
14. Puhdistus

SB750 -sänky ei kestä konepesua eikä huuhtelua vesisuihkulla. Käytä tavallisia desinfiointiaineita. Varmista, että virtapistoke on irrotettu pistorasiasta. Kuivaa sänky puhdistuksen jälkeen. Älä koskaan käytä puhdistukseen happoja, emäksisiä pesuaineita tai liuottimia. Selkänoja ja sääri - ja reisosia voidaan laskea alas patjantukeen puhdistuksen ja ohjausyksikköön pääsemisen helpottamiseksi.

Tärkeitä tietoja käsiohjaimen, ohjausyksikön ja moottorien puhdistamista varten IP 66:

Käytä puhdistukseen aina vettä ja harjaa. Voit huuhdella paineella, mutta älä käytä korkeapainepesuria tai höyrypuhdistusta suoraan yksiköihin.

15. Tekniset tiedot

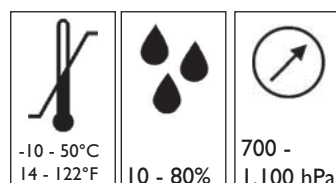


WxL	A	B	C	D	E
85x200	200	213	85	95	60
90x200	200	213	90	101	60
85x183	183	196	85	95	43
90x183	183	196	90	101	43
105x200	200	213	105	116	60
120x200	200	213	120	131	60

Kaikki mitat senttimetreinä. Kaikki kulmat asteina. Kaikki mitat ilmoitettu ilman toleransseja. *Invacare*® pidättää oikeuden mittojen ja kulmien muutoksiin ilman erillistä ilmoitusta.

Kuljetus ja säilytys:

Lämpötila välillä -10° ja 50° C
Ilmankosteus välillä 10 ja 80 % RH.
Paine välillä 700 ja 1.100 hPa



16. Sähköjärjestelmän tiedot

Jännite: 230 V AC/50 Hz.
Enimmäissisäänmenovirta: 1,5 A.
Käyttöjakso: 30/600 s.
Akun enimmäisteho: 1,2 Ah.
Suojaluokitus: IP 66.
Lähtöteho: 70 VA.
Melutaso: 48 dB (A).

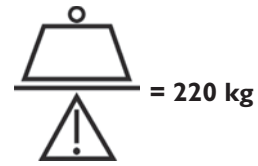
Kaksoiseristetty, luokka II, tyyppi B.



Vaihtovirta:

Tasavirta:

Enimmäiskuormitus (SWL)
(Potilas + patja + sivulaita + kohottautumisteline + muut lisävarusteet).



Potilasta ei ole eristetty maasta ja alustasta.



Potentiaalitasasta.



Ohjausyksikössä ei ole virtakytkintä. Virta voidaan katkaista vain irrottamalla pistoke.

17. Paino

Mitat / Paino	85x200 90x200	105x200	120x200
Ylärunko, pääpuoli, patjantuella	25 kg	34 kg	36 kg
Ylärunko, jalkopää, patjantuella	25 kg	36 kg	39 kg
Alarunko	40 kg	40 kg	42 kg
Koko sänky, ilman lisälaitteita	90 kg	110 kg	117 kg
Sängynpäätty (SANNE III/FLEX III/KARIN III)	6 kg/pcs.	7 kg/pcs.	8 kg/pcs.
Puinen sivulaita (BRITT/BRITT III)	7 kg/pcs.	7 kg/pcs.	7 kg/pcs.
Puinen sivulaita (BRITT IV)	8 kg/pcs.	8 kg/pcs.	8 kg/pcs.
Sängynpäätty (ODA/PIGGY))	6 kg/pcs.	-	-
Teräksinen sivulaita	7 kg/pcs.	7 kg/pcs.	7 kg/pcs.
Kohottautumistuki	6,5 kg	6,5 kg	6,5 kg

18. Jätehuolto

Tämän tuotteen on toimittanut ympäristötietoinen yritys, joka noudattaa Euroopan yhteisön asettamaa direktiiviä 2002/96/EE sähkö- ja elektroniikkalaiteromusta (WEEE).

Tuote voi sisältää aineita jotka ovat ympäristölle haitallisia, jos ne joutuvat ympäristöön (jättemaa), johon ne eivät lain mukaan kuulu.

Tuotteeseen merkitty symboli »ei jäteastiaan« kehottaa kierrätykseen aina kun se on mahdollista.

Ole ympäristötietoinen ja toimita tuote kierrätyspisteeseen kun se poistuu käytöstä.



Inhaltsverzeichnis

Benutzerteil	6
1. Allgemeines	6
2. Bedienung des SB750TM	7
Technischer Teil	10
3. Information	10
4. Anlieferung des SB750TM am Aufstellungsort	11
5. Montage des Zubehörs	13
6. Demontage/Montage des SB750TM	15
7. Verkabelung	17
8. Bestellnummern des Zubehörs	19
9. Wartung und Überholung	21
10. Wartungsanleitung für Steuerungen mit Akkumulator für Notfälle	21
11. Serviceplan	22
12. Fehlersuche, elektrisches System	23
13. Schmierplan	23
14. Reinigung	24
15. Technische Spezifikationen	24
16. Elektrische Daten	25
17. Gewicht	26
18. Entsorgung	26

Benutzerteil

Herzlichen Glückwunsch zu Ihrer Wahl eines Pflegebetts der Serie 750 von *Invacare*® EC-Høng A/S.

- Das Bett wurde speziell für die Pflege zuhause oder in einem Heim für Patienten ab dem 12. Lebensjahr entwickelt.
- Das Bett vereint auf ganz spezielle Weise eine stabile Konstruktion und ergonomische Gestaltung mit einfacher Montage und Bedienung.
- Dank des einmaligen Rückführungssystems der Rückenlehnen gewährleistet das Bett ausgezeichneten Liegekomfort für den Patienten und ideale Bedingungen für das Pflegepersonal beim Verschieben des Bettes.

Zur Optimierung des Liegekomforts empfiehlt *Invacare*® die Benutzung einer 12 cm dicken Matratze.

I. Allgemeines



Das **SB750™** erfüllt alle Anforderungen an die vorgeschriebenen Abstände. Beachten Sie jedoch bitte, dass bei kleinen Patienten die Gefahr besteht, dass sie zwischen die Holme des Seitengitters oder zwischen Seitengitter und Liegefläche rutschen können.



Das **SB750™** darf nicht für Patienten genutzt werden, die jünger als 12 Jahre sind oder deren Körpergröße nicht mindestens der Größe eines durchschnittlichen 12-jährigen entspricht.



In Verbindung mit den Seitengittern darf das **SB750™** nicht für Personen mit einem Gewicht unter 45 kg und einer Körpergröße unter 145 cm oder für unruhige (Spasmen) oder verwirrte Personen eingesetzt werden. Es sei denn,

- eine professionelle Risikoanalyse wurde durchgeführt und zugelassen oder
- für die Seitengitter werden korrekt montierte Sicherheitsbezüge für Seitengitter eingesetzt.



Wenn die Seitengitter mit Sicherheitsbezug für Seitengitter eingesetzt werden, ist unbedingt auf eine korrekte Montage der Seitengitterbezüge zu achten. **Ansonsten besteht Einklemm-/bzw. Erstickungsgefahr zwischen Liegefläche, Seitengitter und Bettende.**



Wenn das Bett für unruhige (Spasmen) oder verwirrte Patienten eingesetzt wird, empfehlen wir, die Funktionen der Handbedienung mit der ACP-Box zu blockieren oder unter das Beinteil eine Begrenzungsstrebe anzubringen. Diese Begrenzungsstrebe verhindert, dass das Beinteil tiefer als die Liegefläche absenkt werden kann. Somit wird Öffnung zwischen Beinteil und Bettende möglichst klein gehalten.



Stellen Sie sicher, dass sich das Bett in der untersten Position befindet, wenn Sie den Patienten unbeaufsichtigt lassen. Damit reduzieren Sie die Gefahr der Sturz-/Einklemmunfälle.



Invacare® übernimmt keine Haftung für etwaige Schäden, die aufgrund unsachgemäßer Verwendung, Veränderung und Montage entgegen den Anweisungen in dieser Gebrauchsanleitung entstehen



Das Bett muss so aufgestellt werden, dass die Höheneinstellung (auf/ab) nicht behindert wird, etwa durch Hebevorrichtungen oder Möbel. Ansonsten besteht Verletzungsgefahr, und/oder Geräte können beschädigt werden.

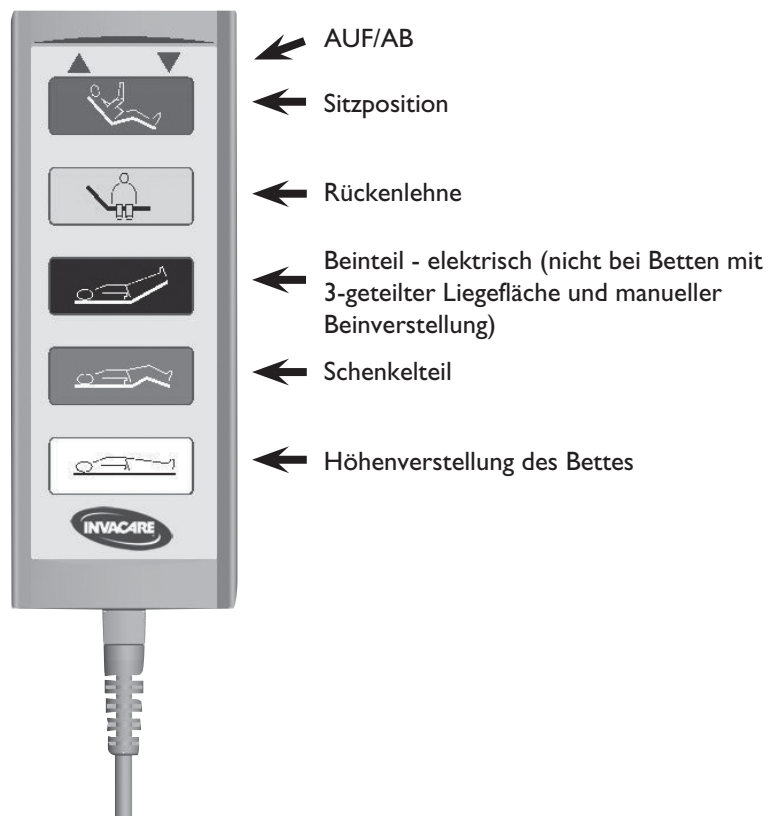
Beim Ein- oder Aussteigen in oder aus dem Bett sollte die Höhenverstellung genutzt werden. Das Rückenteil (gelber Knopf auf dem Handbedienteil) kann auch als Unterstützung dienen. Das Schenkel- und das Beinteil sollten immer in der Horizontale sein, da ansonsten die Gefahr einer Überlastung der Matratzenauflage besteht.

2. Bedienung des SB750™

Das Pflegebett kann mit diesem Handbedienteil ausgestattet sein (Soft Control):

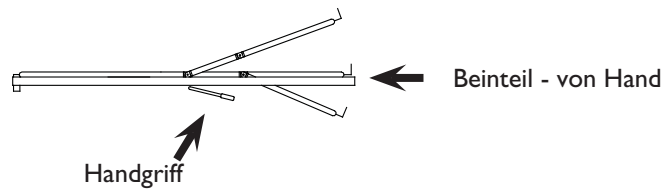


Oder mit diesem Handbedienteil (HB 70):



Bedienung des Beinteils bei Betten mit Gasdruckfeder

Mit einer Hand am Griff ziehen und gleichzeitig mit der anderen das Beinteil in die gewünschte Position bringen. Den Griff loslassen.



Bedienung des Beinteils am SB750, 120 cm Breite, mit Rastofix

Anheben des Beinteils: Heben Sie das Beinteil zur gewünschten Höhe an.

Achtung: Stellen Sie sicher, dass beide Rastofix-Klammern korrekt einrasten.

Absenken des Beinteils: Heben Sie das Beinteil leicht an und senken Sie es bis zur Waagerechten ab.



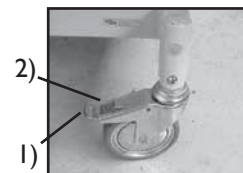
Nach beendeter Pflegearbeit das Bett **immer** in die niedrigste Position absenken. Dadurch wird ein Einklemmen der Finger durch versehentliches Absenken der Liegefläche verhindert. Personen, die sich während des Anhebens des Betts darunter aufhalten, können sich ernsthaft verletzen.

Bedienung der Bremsrollen

Bedienung der Räder ohne Zentralbremse

Befindet sich das Bett am Pflegeort, muss mindestens jeweils ein Rad am Kopf- und Fußende arretiert sein.

- 1) **Bremsen:** Bremse mit dem Fuß einrasten.
- 2) **Bremse lösen:** Auf den Bremsauslöser treten.



Bedienung der Räder mit Zentralbremse

Befindet sich das Bett am Pflegeort, muß es arretiert sein.

- 1) **Arretierung:** In Neutralstellung auf das rote Pedal treten.
- 2) **Arretierung lösen:** Auf das grüne Pedal treten, bis die Neutralstellung erreicht ist.



Bedienung steuerbarer Räder

Ein Pflegebett **SB750™** mit Zentralbremse ist auch mit einem steuerbaren Rad lieferbar. Das steuerbare Rad wird über das Pedal für die Zentralbremse bedient.

- 1) **Aktivierung der Richtungssteuerung:** In Neutralstellung auf das grüne Pedal treten.
- 2) **Stoppen der Richtungssteuerung:** Auf das rote Pedal treten, bis die Neutralstellung erreicht ist.

Die Bettenrollen können auf einigen Fußbodenbelägen Spuren hinterlassen (z. B. Holzfußböden mit oder ohne Oberflächenbehandlung). *Invacare®* empfiehlt, eine Unterlage unter die Rollen zu legen um diesem vorzubeugen.

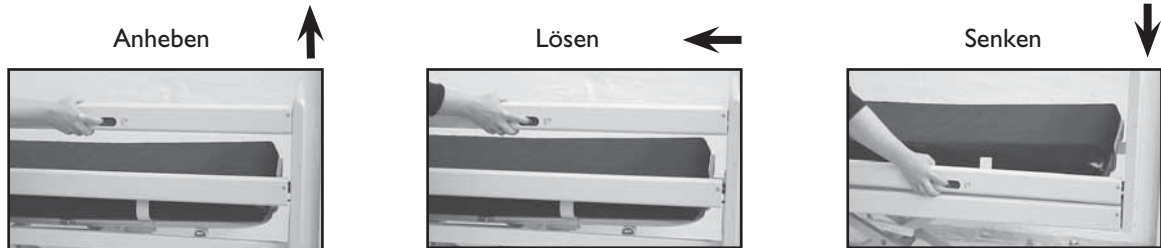
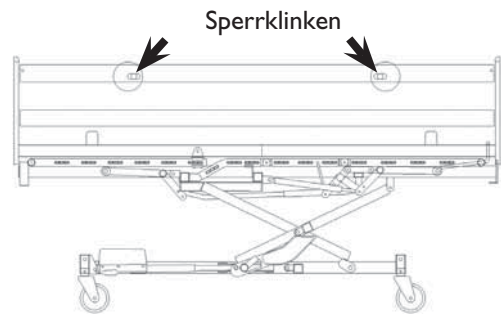
Bedienung des Holzseitengitters BRITT II/III/IV

Das Kopf- bzw. Fußteil kann so beschaffen sein, daß das Seitengitter auf halber Höhe arretiert werden kann.

Normalerweise kann das Seitengitter nur in der obersten Position arretiert werden.

Auf: Das Seitengitter an der oberen Querlatte nach oben ziehen, bis es hörbar einrastet..

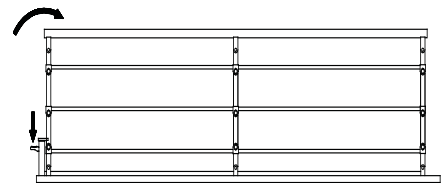
Ab: Holzseitengitter anheben, und die beiden Sperrklinken gegeneinander schieben. Holzgitter absenken.



Bedienung des Metallseitengitters

Auf: Das Metallgitter am oberen Rohr in Richtung der Arretiervorrichtung hochziehen.

Ab: Den Auslöseknopf drücken, und das Metallgitter vom Auslösesystem wegziehen.



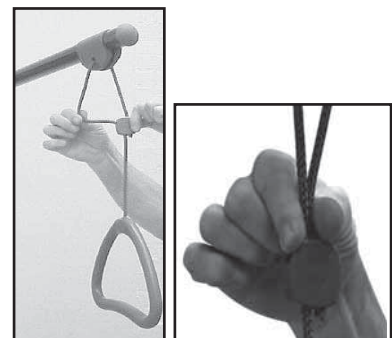
Bei der Montage und der Bedienung der Metallseitengitter können die Finger eingeklemmt werden. Bitte stellen Sie durch Ziehen / Drücken der oberen Querlatte sicher, dass die Arretiervorrichtung des Seitengitters eingerastet ist.

Änderung der Höheneinstellung des Aufrichtergriffs

Schnur lösen, siehe Bild A, und die Höhe des Aufrichterhandgriffs einstellen. Schnur wie in Bild B gezeigt zusammendrücken und durch Ziehen am Handgriff kontrollieren, dass die Schnur arretiert ist.



Der Aufrichter ist so einzustellen, dass der Handgriff über dem Bett hängt. Ist der Aufrichter zur Seite gedreht und zieht sich ein Patient trotzdem daran hoch, kann das Bett umkippen.



A

B

Technischer Teil

Invacare[®] ist nach DS/EN ISO 9001 und ISO 13485 zertifiziert. Kunden können sich also darauf verlassen, dass alle Produkte von *Invacare*[®] ausnahmslos in der Qualität geliefert werden, wie sie u. a. in den Broschüren beschrieben ist.

Die Werkstücke bzw. Produkte werden während des gesamten Produktionsverlaufs laufend kontrolliert und nach der Fertigstellung einer abschließenden Kontroll unterzogen.

Der damit betraute Prüfer, der u. a. eine Überprüfung aller beweglichen Teile, Motoren/Gasdruckfedern und Räder vornimmt, versieht das abgenommene Produkt mit seinem persönlichen Qualitätssiegel.

Falls ein Produkt nicht die von *Invacare*[®] EC-Hong A/S festgelegten Qualitätsanforderungen erfüllt,

verläßt es nicht unser Werk.

Sollten sich entgegen aller Erwartungen doch einmal Probleme mit einem gelieferten Produkt ergeben, wenden Sie sich bitte an Ihre Vertretung von *Invacare*[®] EC-Høng A/S.

QA XXX

3. Information

Bitte lesen Sie sorgfältig die kompletten technischen Informationen vor Inbetriebnahme oder Wartung des Bettes. Alle Angaben 'links' oder 'rechts' verstehenden sich aus der Position des im Bett auf dem Rücken liegenden Patienten. Bitte beachten Sie, dass nicht alle Angaben in dieser Gebrauchsanweisung auf Ihr Bett zutreffen können.

- Betten der Serie 750 haben die CE-Kennzeichnung gemäß die Richtlinie 93/42/EWG des Rates über Medizinprodukte.
- Betten der Serie 750 sind außerdem vom Hjælpemiddelinstittet (Dänisches Institut für technische Hilfsmittel) gemäß EN 1970 abgenommen.
- EMC-Prüfung des **SB750TM** bei UL Demko (Dänische Elektrische Komponenten Kontrolle).
- **SB750TM** wurde einer Risikoanalyse nach EN 14971 unterzogen.
- **SB750TM** ist für eine Gesamtbelastung von max. 220 kg, einschl. Zubehör zugelassen.

Max. Patientengewicht: 185 kg.

Steuerung und Motoren haben die Schutzart IP 66. Hat die Elektronik die Schutzart IP 66, muß die Steuerung mit dem Sicherungskamm montiert werden. Im gegenteiligen Fall kann *Invacare*[®] nicht die korrekte Schutzart garantieren.



Eine elektromagnetische Beeinflussung zwischen dem Bett und anderen elektrischen Geräten ist möglich. Um diese elektromagnetische Beeinflussung zu reduzieren oder auszuschließen, stellen Sie diese Geräte weiter vom Bett entfernt auf oder schalten Sie diese aus. Das Bett kann unter folgenden Voraussetzungen zusammen mit elektrischen medizinischen Geräten, die intravaskulär oder intrakardial angeschlossen sind, genutzt werden:

- Das Bett sollte mit einem Potentialausgleichsanschluss, der das Symbol wie auf der Rückseite dieser Gebrauchsanweisung zeigt, trägt.
- Das elektrische medizinische Gerät darf nicht an den Metallteilen (z. B. Seitengitter, Aufrichter, Tropfhälter, Bettenden usw.) befestigt werden.

Zusätzlich muss das Stromkabel dieses elektrischen medizinischen Gerätes vom Zubehör oder anderen beweglichen Teilen des Bettes ferngehalten werden.



Invacare[®] übernimmt keine Haftung für etwaige Schäden, die aufgrund unsachgemäßer Verwendung, Veränderung und Montage entgegen den Anweisungen in dieser Gebrauchsanleitung entstehen.

Treten Veränderungen bei der Funktion des Bettes auf, sind die in der Serviceplan in Kapitel II genannten Kontrollen durchzuführen.

4. Anlieferung des SB750™ am Aufstellungsort



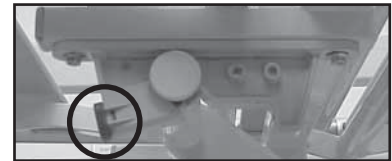
Aufgrund von Kondensierung sollte das Pflegebett erst benutzt werden, wenn es sich der Raumtemperatur angeglichen hat.



Bett auf Schäden kontrollieren. Bei Schäden, siehe Lieferbedingungen.

Ein in Einzelteilen geliefertes Bett muß zusammengesetzt werden. Siehe Kapitel 6, Demontage/-Montage des SB750™.

**Schnappschloß
arretiert**



Verbindungsstellen zwischen Liegefläche und Untergestell kontrollieren (siehe Abbildung).

Überprüfen, ob die Stecker der Motoren und des Handschalters korrekt und gemäß den aufgedruckten Symbolen an die Steuerung angeschlossen sind.

**Schnappschloß
offen**



Bei Pflegearbeiten müssen die Rollen des Bettes arretiert sein.



Vor dem Verschieben des Bettes den Netzstecker herausziehen. Die Leitung ist so anzubringen, dass sie nicht auf dem Fußboden liegt bzw. die Rollen des Bettes behindert.

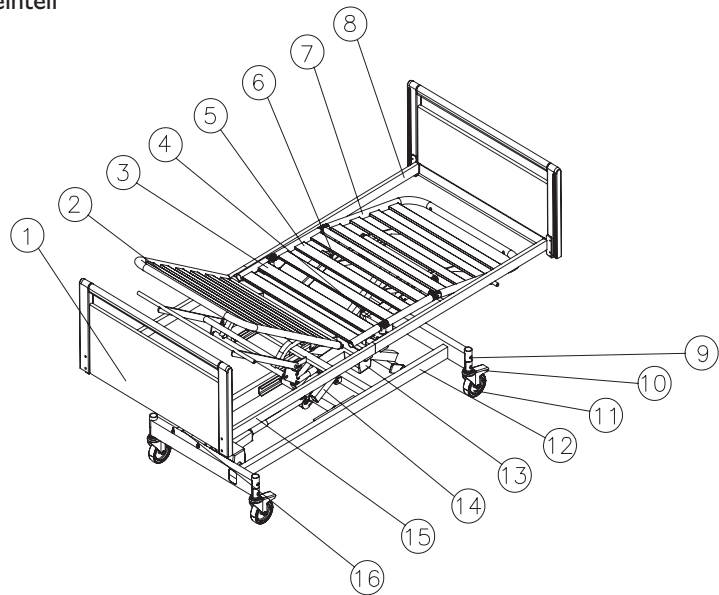
SB750™ an das Netz anschließen.

Eine ergonomische Arbeitsposition wird erreicht: Wenn das Bett auf halbe Höhe gefahren wird, siehe Kapitel 2 "Bedienung des SB750™".

Zubehör montieren: Kopf- und Fußteil, Seitengitter, Aufrichter, Abweisrollen, siehe Kapitel 5 "Montage des Zubehörs".

Bestandteile des Standardbettes

1. Inbus-Schlüssel
2. Rückenlehne
3. Sitzteil
4. 24 V Motor, Beinteil bzw. Gasdruckfeder, Beinteil
5. Schenkelteil
6. 24 V Motor, Schenkelteil
7. Beinteil
8. Liegefläche, Fußende
9. Bremspedal (Bett mit Zentralbremse)
10. Bremse (Bett mit Radbremse)
11. Rad
12. Untergestell
13. 24 V Motor, Rückenlehne
14. Scherenarm
15. Liegefläche, Kopfende
16. Steuerung



Zubehör

- Akkumulatorfach
- Beschläge für Kopf- und Fußteil
- Kopf- und Fußteil
- Holzseitengitter
- Metallseitengitter
- Rändelschraube
- Aufrichter
- Abweisrolle

Notauslösung der Liegeflächenteile

Eine Notabsenkung der einzelnen Liegeflächenteile kann z. B. bei einem Stromausfall oder Motordefekt notwendig sein. Eine Notabsenkung der gesamten Liegefläche (Höheneinstellung) ist NICHT möglich!

- Vor der Notabsenkung den Netzstecker ziehen.
- Die Liegeflächenteile werden durch Herausziehen des Splints am entsprechenden Motor bzw. der entsprechenden Gasdruckfeder abgesenkt.

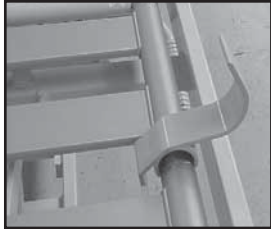


Die Notabsenkung eines Liegeflächenteils muss von min. 2 Personen vorgenommen werden. Beide Personen halten das arretierte Liegeflächenteil fest. Dann zieht eine der beiden Personen den Splint heraus. Beide Personen senken dann das Liegeflächenteil langsam nach unten.

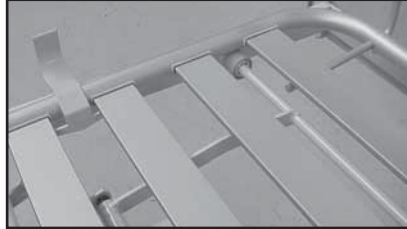
5. Montage des Zubehörs

Für die Montage bzw. Demontage des Zubehörs für ein **SB750™** werden ein Inbus-Schlüssel und ein Universalschraubenschlüssel benötigt. Der Inbus-Schlüssel befindet sich an der Innenseite am Kopfende. Für die Montage bzw. Demontage aller Beschläge wird ein Inbus-Schlüssel benötigt.

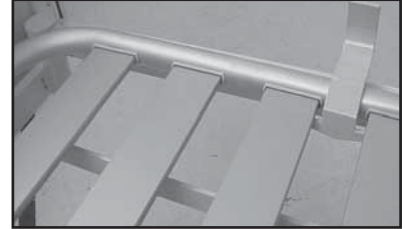
Montage des Matratzenhalters



Matratzenhalter auf den Matratzenrahmen stecken.



Befestigungspunkt: zwischen der 3. und 4. Lamelle der Rückenlehne.

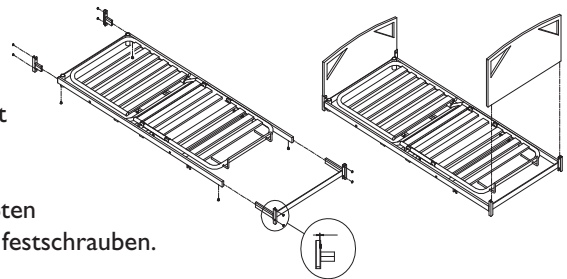


Befestigungspunkt: zwischen der 3. und 4. Lamelle des Beinteils.

Montage der Beschläge

(Wenn nicht schon bei Lieferung montiert)

1. Die beiden kleinen Beschläge am Kopfteil einsetzen und mit dem Inbus-Schlüssel festschrauben.
2. Die beiden großen Beschläge und den zusammenschweißten Beschlag am Fußteil einsetzen und mit dem Inbus-Schlüssel festschrauben.



Montage der Kopf- und Fußteile PIGGY und ODA

Das Teil in die U-Profile drücken.

Montage des Kopf- und Fußteils FLEX III/KARIN III

Kopf- bzw. Fußteil mit den mitgelieferten Schrauben in die Beschläge einsetzen und mit dem Inbus-Schlüssel festschrauben.

Montage des Kopf- und Fußteils SANNE III

Platzieren Sie die Nut der Beschläge an beiden Bettenden über die Stifte der Bettenden und drücken Sie diese kräftig nach unten. Der Sicherungsstift muss einrasten und die Bettenden verriegeln. Stellen Sie sicher, dass der Sicherungsstift komplett eingerastet ist.



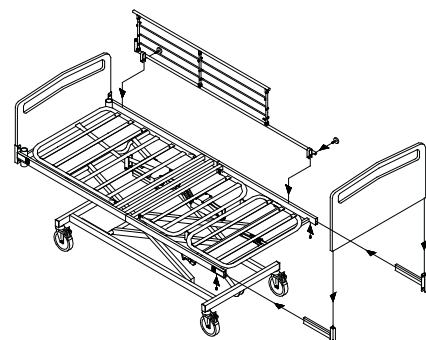
Demontage des Kopf- und Fußteils SANNE III

Ziehen Sie den Sicherungsstift heraus und drehen Sie ihn um eine halbe Drehung um ihn zu arretieren. Gehen Sie am anderen Ende genauso vor. Ziehen Sie das Bettende nach oben und heraus.

Montage/Demontage des Metallseitengitters

Montage des Seitengitters: Bitte Etikett beachten. Metallseitengitter mit 2 Rändelschrauben festschrauben.

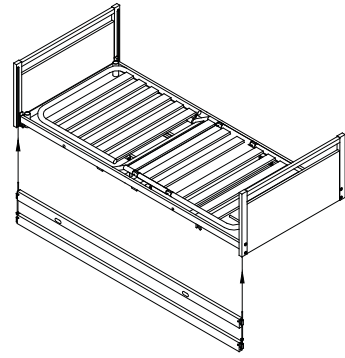
Demontage: Die beiden Rändelschrauben lockern und das Metallseitengitter abnehmen.



Montage des BRITT II/III/IV Seitengitters

1. Das Bett um etwa 1/3 anheben.
2. Schutzstreifen von den Verriegelungsstiften an den Enden des Seitengitters entfernen.
3. Jeweils ein Ende montieren. Die untere Holzlatte anheben und den Metallbügel zur Führungsschiene am Bettende führen (A).
4. Den Verriegelungsstift des Seitengitters mit einem Finger eindrücken (B).
5. Das Seitengitter zum Kopf-/Fußende führen, bis die Federstütze heraustritt und so verhindert, dass das Geländer herausrutscht.

Zur Montage am anderen Ende die Punkte 3 bis 5 wiederholen.



Das Seitengitter BRITT II/III/IV abnehmen

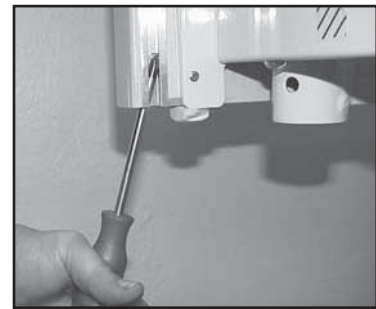
1. Das Bett etwa 1/3 anheben. Seitengitter absenken.
2. Jeweils an einem Ende demontieren. Die untere Holzlatte so anheben, dass die Federstütze sichtbar wird.
3. Die Federstütze mit einem Schraubenschlüssel oder Schraubendreher herunterdrücken (C).
4. Die untere Holzlatte festhalten. Das Seitengitter absenken, bis der Metallbügel sich von der Rahmenschiene am Bettende gelöst hat.

Zum Abnehmen am anderen Ende die Punkte 2 bis 4 wiederholen.

A

B

C



Montage des Aufrichters

Kunststoffstopfen aus dem Aufrichterrohr, in das der Aufrichter montiert werden soll, entfernen.
Aufrichter montieren, mit Rändelschraube anziehen.

Aufrichterrohr
mit Stopfen

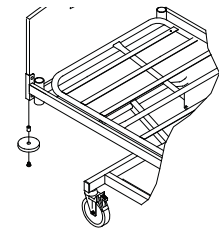
Rändelschraube



Montage der Abweisrolle

Buchse an der Abweisrolle montieren und unter dem Beschlag am Bettende mit einer Schraube festschrauben.

Die Abweisrolle kann nicht zusammen mit dem Kopf- und Fußteil SANNE montiert werden.



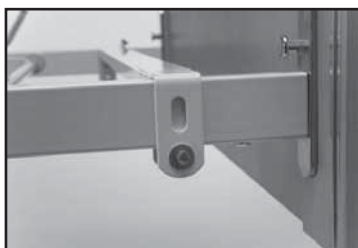
Montage der Begrenzungsstrebe unter dem Beinteil



Wenn das Bett für unruhige (Spasmen) oder verwirrte Patienten eingesetzt wird, empfehlen wir, eine Begrenzungsstrebe anzubringen. Diese Begrenzungsstrebe verhindert, dass das Beinteil tiefer als die Liegefläche absenken werden kann. Somit wird Öffnung zwischen Beinteil und Bettende möglichst klein gehalten.

Heben Sie das Beinteil der Liegefläche an. Montieren Sie die Begrenzungsstrebe. Ziehen Sie beide Schrauben fest.

Die Begrenzungsstrebe wird hier montiert.



Festziehen der Schrauben.



Korrekt montierte Begrenzungsstrebe.



Bedienung der eingebauten Liegeflächenverlängerung

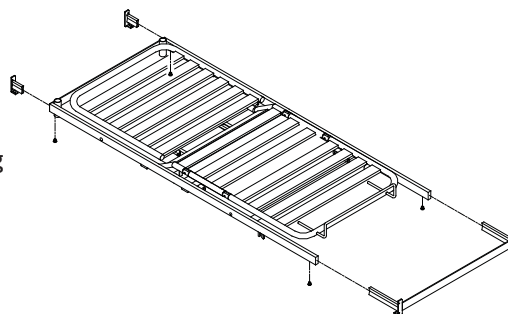


Warnung! Wenn die Liegefläche verlängert wird, muss eine entsprechende Matratzenverlängerung auf die Liegefläche gelegt werden. Andernfalls besteht Klemm- bzw. Erstickungsgefahr.

Zur Verlängerung der Liegefläche wird der Inbus-Schlüssel verwendet.

Der Inbus-Schlüssel befindet sich innen am Querrohr des Kopfendes.

1. Holzseitengitter abmontieren (siehe Kapitel 5).
2. Die beiden Schrauben unterhalb des Seitenrohrs zur Befestigung des Beschlags mit dem Inbus-Schlüssel herausschrauben.
3. Den Beschlag 16 cm weit herausziehen, die beiden Schrauben wieder einsetzen und anziehen.
4. Die beiden Schrauben unter dem Matratzenhalter des Beinteils lockern, den Matratzenhalter bis zum Anschlag herausziehen, und die beiden Schrauben wieder anziehen.
5. Die Liegeflächenverlängerung einlegen.



6. Demontage/Montage des SB750™

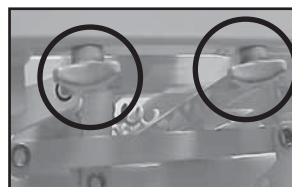
Demontage

1. Räder des Untergestells arretieren.
2. Das gesamte Zubehör abmontieren.
3. Bett auf die angezeigte Höhe fahren, so dass sich die "Nocken" an Führung und Schere des Untergestells gegenüberstehen.
4. Netzstecker herausziehen.
5. Sicherheitskamm von der Steuerung abmontieren.
6. Stecker des Rückenlehnen-, Schenkel- und Beinmotors abziehen. Sicherstellen, dass die Leitungen nicht im Untergestell verklemt sind.
7. Die 2x2 Rändelschrauben an den Seitenrohren herausschrauben.
8. Das Kopfende der Liegefläche aus den Einschüben in den Seitenrohren ziehen und auf den Fußboden absenken.
9. Die Sperrklinke am Fußende der Liegefläche herausziehen und nach rechts drehen, damit die beiden Sperrbeschläge/Schnappschlösser aushaken.
10. Fußende der Liegefläche nach unten führen und vom Untergestell ziehen. 9.
11. Untergestell wieder ans Netz anschließen und ganz absenken.

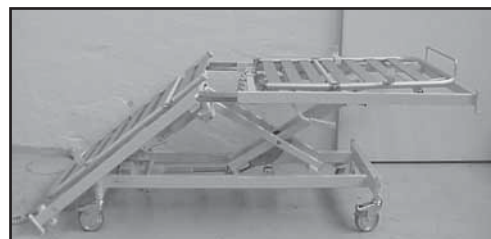
3.



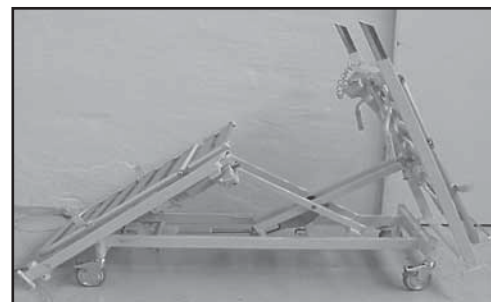
7.



8.

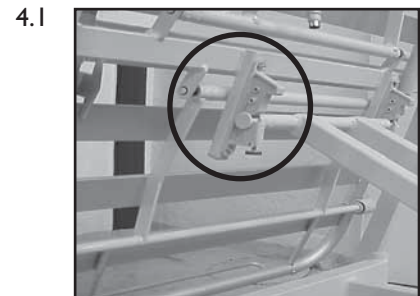


10.



Montage

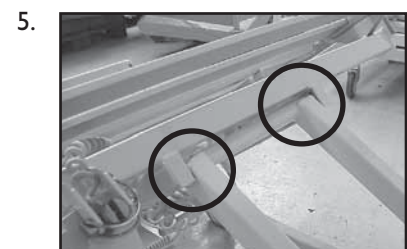
1. Räder des Untergestells arretieren.
2. Untergestell an das Netz anschließen.
3. Bett auf die angezeigte Höhe fahren, so dass sich die "Nocken" (siehe Bild 3 seite 15) an Führung und Schere des Untergestells gegenüberstehen.
4. Fußende der Liegefläche anheben, so dass die beiden Sperrklinken/Schnappschlösser in die Zapfen der Schere greifen (siehe 4.1).



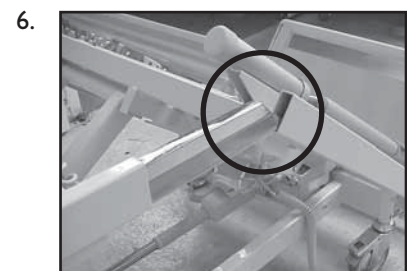
- Sicherstellen, dass die Sperrklinke eingerastet und arretiert ist (4.2).
Danach das Fußende waagrecht stellen.
- 4.2



5. Das Kopfende der Liegefläche vor Untergestell stellen und auf das Gestell absenken, so dass die Kunststoffgleiter in die Führungen greifen.



6. Kopfende hochheben und bis zum Anschlag in die Einschübe schieben.



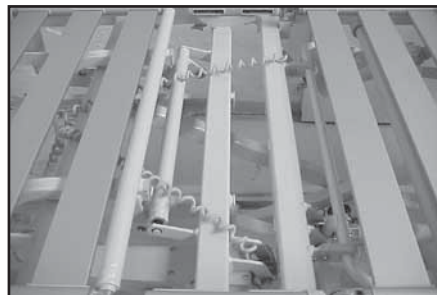
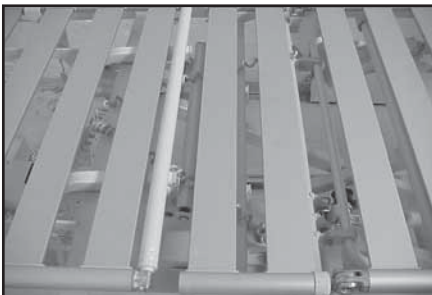
7. Die 2x2 Rändelschrauben in den Seitenrohren festschrauben.
8. Stecker des Rückenlehnen-, Schenkel- und Beinmotors in der Steuerung montieren, siehe auch Abschnitt 7. Verkabelung.
9. Zubehör montieren.



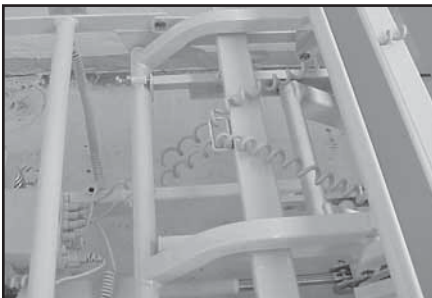
7. Verkabelung



Die Kabel werden durch die Motoraufhängung geführt.



Die Kabel unter den Latten hindurchführen.

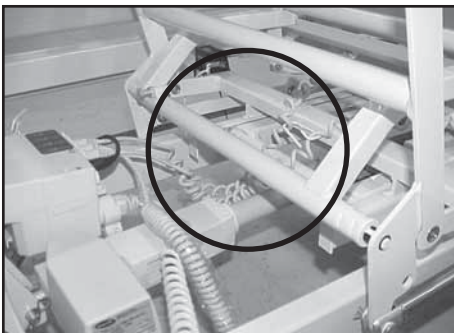


Die Kabel durch den Kabelbügel und weiter zur Steuereinheit führen.

Diese Fotos zeigen ein Bett mit 2 Motoren für die Liegefläche.

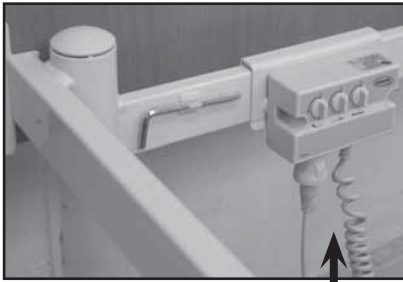
Die Verkabelung überprüfen, indem alle Motoren des Bettes bis zu ihren äußersten Positionen bedient werden.

Wenn alle Kabel korrekt montiert sind, besteht für die Kabel keine Quetschgefahr.



Im Laufe der Zeit lockern sich die Kabel ein wenig durch den Gebrauch.

ACP-Box (optional)



Die Funktionen des Handbedienteils können durch Umlegen des Schalters der ACP-Box, die sich am Kopfende des Bettes befindet, gesperrt werden. Bitte prüfen Sie mit Hilfe des handbedienteils, ob die Sperrfunktion aktiviert ist.



Offen



Gesperrt



**Entfernung des
Sicherungsringes**

Auswechseln des Handbedienteils

Nach Herunterdrücken des weißen Sicherungsringes kann der Stecker des Handbedienteils aus der ACP-Box gezogen werden.

8. Bestellnummern des Zubehörs

Bezeichnung	Abmessungen	Bestellnr.:
KOPF- UND FUSSTEIL		
SANNE III (Buche)	85 cm	020429.01
SANNE III (Buche)	90 cm	020740.01
SANNE III (Buche)	105 cm	021953.01
SANNE III (Buche)	120 cm	021954.01
SANNE III (Kirsche/Buche)	90 cm	021956.07
SANNE III, verlängert und abgesenkt (Buche *)	85 cm	1451258-0101
SANNE III, verlängert und abgesenkt (Buche *)	90 cm	1451257-0101
SANNE III, verlängert und abgesenkt (Buche *)	105 cm	1484403-0101
SANNE III, verlängert und abgesenkt (Buche *)	120 cm	1484404-0101
*) Zusammen mit Holzseitengitter LILLI III		
FLEX III (Buche)	85 cm	020417.01
FLEX III (Buche)	90 cm	020737.01
PIGGY (Buche / U-Profile)	85 cm	020431.01
PIGGY (Buche / U-Profile)	90 cm	018940.01
ODA (Buche / U-Profile)	85 cm	020430.01
ODA (Buche / U-Profile)	90 cm	016609.01
Die Bettenden sind auch in anderen Versionen als die oben genannten erhältlich – wenden Sie sich an <i>Invacare</i> ®		
SEITENGITTER		
Scala Basic Metallseitengitter (absenkbar)		1432784-1015
Scala Basic Plus Metallseitengitter (absenkbar mit Kunststoffverkleidung)		1432787-1015
Scala Medium Metallseitengitter (absenkbar)		1432781-1015
Scala Decubi Metallseitengitter (absenkbar)		1432793-1015
Metallseitengitter 5539, verlängert (absenkbar mit loser Rändelschraube)		50.55390.D0/L+R
Holzseitengitter BRITT IV (höhe + 2.5 cm, Buche)		1427875-0101
Holzseitengitter BRITT IV (höhe + 2.5 cm, Kirsche)		1427875-0102
Holzseitengitter BRITT IV (höhe + 2.5 cm, Weißpigmentiert)		1427875-0105
Holzseitengitter BRITT III (Buche)		020434.01
Holzseitengitter BRITT III, kurz (Buche)		021342.01
Holzseitengitter BRITT III (Kirsche)		020434.02
Holzseitengitter BRITT III, kurz (Weißpigmentiert)		021342.05
Holzseitengitter BRITT III (Weißpigmentiert)		020434.05
Holzseitengitter BRITT II, verlängert (Buche)		019372.01
Holzseitengitter BRITT II, verlängert (Kirsche)		019372.02
Holzseitengitter BRITT II, verlängert (Weißpigmentiert)		019372.05
Holzseitengitter LILLI III (Buche)		1433812-0101
Holzseitengitter LILLI III (Kirsche)		1433812-0102
Holzseitengitter LILLI III (Buche/verlängert)		1434044-0101
Abdeckrohr zur Verwendung mit der Liegeflächenverlängerung		017639.D0
STÜTZGRIFF		
Stützgriff	25x30 cm	021964.D0
Stützgriff	40x50 cm	021963.D0
Stützgriff	25x80 cm	1417510-1015
Stützgriff	40x30 cm	1417511-1015
Stützgriff	40x95 cm	1417512-1015
AUFRICHTER		
Aufrichter		50.57600.D0
BEGRENZUNGSSTREBE		
Begrenzungsstrebe (verhindert, dass das Beinteil tiefer als die Liegefläche abgesenkt wird)		1510820-1015

Bezeichnung	Abmessungen	Bestellnr.:
--------------------	--------------------	--------------------

TROPF

Tropfstativ.		50.60030.D0
Halterung für Tropfstativ (zur Befestigung am Aufrichterrohr)		50.60910.00

ABWEISROLLEN

Abweisrollen (1 St.)	75 mm	50.59600.00
Abweisrollen (1 St.)	100 mm	50.59610.00
Abweisrollen (1 St.)	150 mm	50.59640.00
Abweisrollen (1 St., vertikal)	100 mm	50.59630.D0

MATRATZEN

Dacapo Standard (38 kg/m ³ Kaltschaumstoff, Baumwolle, Pflegequalität)	85x200x10	1421530
Dacapo Standard (38 kg/m ³ Kaltschaumstoff, Baumwolle, Pflegequalität)	90x200x10	1421531
Dacapo Standard (38 kg/m ³ Kaltschaumstoff, Baumwolle, Pflegequalität)	105x200x10	1421532
Dacapo Standard (38 kg/m ³ Kaltschaumstoff, Baumwolle, Pflegequalität)	120x200x10	1421533
Dacapo Basic (38 kg/m ³ Kaltschaumstoff/Inkontinenz-Überzug)	88x200x12	1421551
Dacapo Basic (38 kg/m ³ Kaltschaumstoff/Inkontinenz-Überzug)	83x200x12	1421552
Dacapo Basic (38 kg/m ³ Kaltschaumstoff/Inkontinenz-Überzug)	88x183x12	1421555
Dacapo Basic (38 kg/m ³ Kaltschaumstoff/Inkontinenz-Überzug)	83x183x12	1421556
Dacapo Basic für starke Belastung (3 Schichten 50/50/38 kg/m ³ , Kaltschaumstoff, Inkontinenz-Überzug)	105x200x15	1484429
Dacapo Basic für starke Belastung (3 Schichten 50/50/38 kg/m ³ , Kaltschaumstoff, Inkontinenz-Überzug)	120x200x15	1451262
Dacapo Organic (50 kg/m ³ organischer Schaumstoff, Eierkartonform, Inkontinenz-Überzug)	85x200x12	1421572
Dacapo Organic (50 kg/m ³ organischer Schaumstoff, Eierkartonform, Inkontinenz-Überzug)	90x200x12	1421573
Dacapo Combi (2 Schichten 50/38 kg/m ³ , viskoelastischer Kaltschaumstoff, Inkontinenz-Überzug) ...	85x200x14	1421489
Dacapo Combi (2 Schichten 50/38 kg/m ³ , viskoelastischer Kaltschaumstoff, Inkontinenz-Überzug) ...	90x200x14	1421490
Dacapo Square (2 Schichten 50/38 kg/m ³ , organischer Schaumstoff/Kaltschaumstoff, Ink.-Überzug) .	83x200x14	1421515
Dacapo Square (2 Schichten 50/38 kg/m ³ , organischer Schaumstoff/Kaltschaumstoff, Ink.-Überzug) .	88x200x14	1421516
Dacapo Top (50 kg/m ³ viskoelastischer Schaumstoff, Inkontinenz-Überzug).....	85x200x6	1421587
Dacapo Top (50 kg/m ³ viskoelastischer Schaumstoff, Inkontinenz-Überzug).....	90x200x6	1421588

Es ist möglich, für verlängerte Betten maßgefertigte Matratzen zu bestellen.

Kit für Liegeflächenabsenkung

Kit für Liegeflächenabsenkung mit Ø75 mm Bremsrolle		021343.D0
---	--	-----------

SEITENGITTERBEZÜGE

Scala Bezug für Britt III, IV und Lilli III, Holzseitengitter		1449412
Scala Bezug für Britt III, Holzseitengitter, kurz		1449411
Scala Bezug für Britt II und Lilli III Holzseitengitter, verlängert		1493565
Scala Bezug für Britt III, IV und Lilli III, Holzseitengitter, Netz		1449413
Scala Bezug für Britt II und Lilli III, Holzseitengitter, Netz, verlängert		1449415
Scala Bezug für Metallseitengitter, Basic		1449423
Scala Bezug für Metallseitengitter, erhöht		1449419
Scala Bezug für Metallseitengitter, verlängert		1449421
Scala Sicherheitsbezug für Seitengitter für Britt III, IV und Lilli III, Holzseitengitter		1511890
Scala Sicherheitsbezug für Seitengitter für Britt III, Holzseitengitter, kurz		1513592
Scala Sicherheitsbezug für Seitengitter für Britt II und Lilli III, Holzseitengitter, verlängert		1511892

9. Wartung und Überholung

Wartung und Überholung eines Bettes der Serie 750 darf nur von entsprechend geschultem Personal durchgeführt werden.

Bei normalem täglichen Gebrauch muss der Service lt. Serviceplan alle 2 Jahre erfolgen.

Wenn das Bett geschoben wird, muss der Service lt. Serviceplan erfolgen.

Wenn Flex- oder Karin Kopf- und Fußteile verwendet werden, die aus einer flexiblen Art von Holz hergestellt sind, ist es notwendig die sechseckigen Kopfschrauben regelmässig anzuziehen, und nicht wie in der Gebrauchsanleitung beschrieben.

Bei normalem Gebrauch müssen die Rollen am Keil nach 4 Jahren ausgewechselt/geschmiert werden, siehe Punkt 4 + 5.



Hinweis! Liegefläche während der Wartungsarbeiten abstützen, um ein unbeabsichtigtes Absenken zu vermeiden.

Wir empfehlen, einmal jährlich einen Sicherheitstest inklusive Motortest und Rahmenüberprüfung vorzunehmen.

Motoren, Handbedienteil und Steuerung

Eine Wartung dieser Teile erfolgt beim Austausch defekter Teile.

10. Wartungsanleitung für Steuerungen mit Akkumulator für Notfälle

Wenn das Bett mit Akkumulatoren für Notfälle ausgestattet ist, befindet sich ein zusätzliches Fach neben der Steuerung.

Vorbeugende Wartung

Die Akkumulatoren müssen nach spätestens 4 Jahren ausgetauscht werden.

Ein früherer Termin kann möglich sein. Häufiges, kräftiges Aufladen verkürzt die Lebensdauer.

Wir empfehlen, die Funktionstüchtigkeit der Akkumulatoren mindestens einmal jährlich zu überprüfen.

Die Akkumulatoren werden durch den ununterbrochenen Anschluß an das Stromnetz nicht beschädigt.



Austausch der Akkumulatoren

Akkumulatoren dürfen nur als Satz ausgetauscht werden. Dabei sind Originalteile oder mechanisch und elektrisch gleichwertige Akkumulatoren zu verwenden.

Die Akkus werden paarweise geliefert: Art.-Nr. 818323 (12 V – 1,2Ah)

Die Akkumulatoren müssen neu und alle 6 Monate geladen worden sein. Alle Akkumulatoren in einem Satz haben dieselbe Produktionsnummer.

Vor dem einsetzen ist zu kontrollieren, ob der Akkumulatorsatz korrekt verbunden ist (siehe Skizze im Akkumulatorfach neben der Steuerung), und dass keine der Verbindungen lose ist.

Warnung!

Bei der Ladung von verbrauchten oder defekten Akkumulatoren können sich Gase bilden. Das Akkumulatorfach enthält Lüftungsspalten, die eine ordnungsgemäße Lüftung des Fachs ermöglichen. Diese Spalten dürfen nicht versperrt oder abgedeckt werden, da der dadurch entstehende Überdruck zu einer Explosion führen kann.

Entsorgung

Verbrauchte Akkumulatoren werden an *Invacare*® zurückgegeben oder wie Autobatterien entsorgt.

II. Serviceplan

<p>Wartung und Überholung eines Betts der Serie 750 dürfen nur von entsprechend geschultem Personal durchgeführt werden.</p> <p>Seriennummer (befindet sich an der Liegefläche): _____</p>					
Datum:	Initialen:				
Seeger-Ringe, Rohrsplinte und Kunststoff-Arretierscheiben kontrolliert.					
Schrauben nachgezogen.					
Schweißnähte visuell kontrolliert.					
Befestigung und Bewegungsmechanismus des Seitengitters überprüft.					
Radaufhängung nachgezogen.					
Radbremse kontrolliert.					
Motor der Höhenverstellung kontrolliert.					
Motor der Rückenlehne kontrolliert.					
Motor des Schenkelteils kontrolliert.					
Motor/Gasdruckfeder des Beinteils kontrolliert.					
Kabelführungen korrekt aufgehängt und unbeschädigt. Stecker unbeschädigt.					
Lackschäden repariert.					
Schmierung gemäß Schmierplan. Achtung! Die Führungsschienen des Holzseitengitters nicht ölen, die Holzgitter sonst schwergängig laufen.					
Zubehör visuell kontrolliert.					

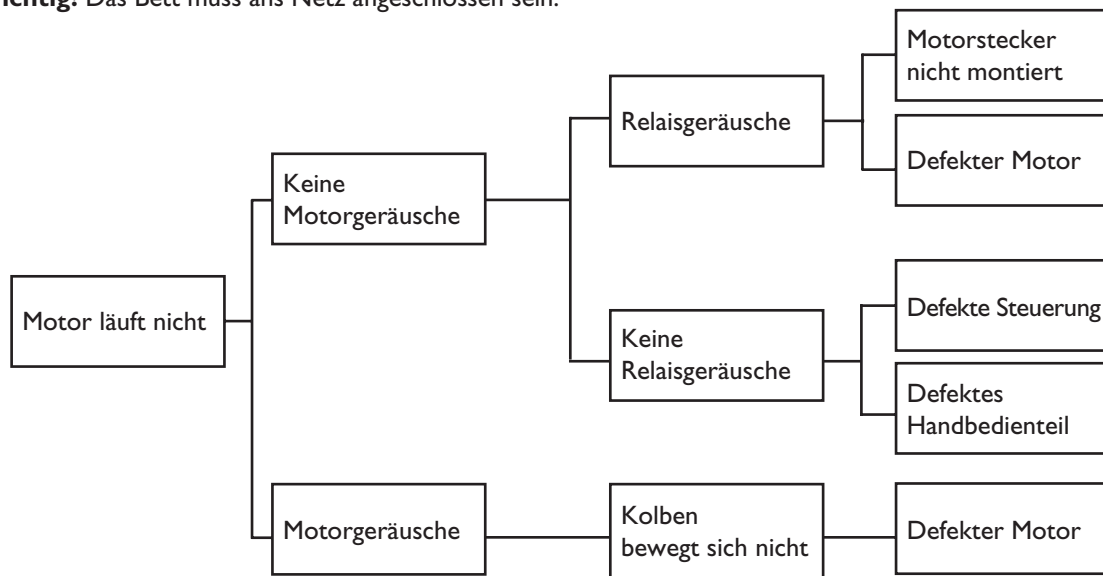
In einigen Ländern, in denen *Invacare*® eine Vertriebsniederlassung hat, besteht u. U. die Möglichkeit, einen **Wartungsvertrag** abzuschließen.

Außerdem bietet *Invacare*® Kurse über die **Wartung und Überholung des SB750™** an.

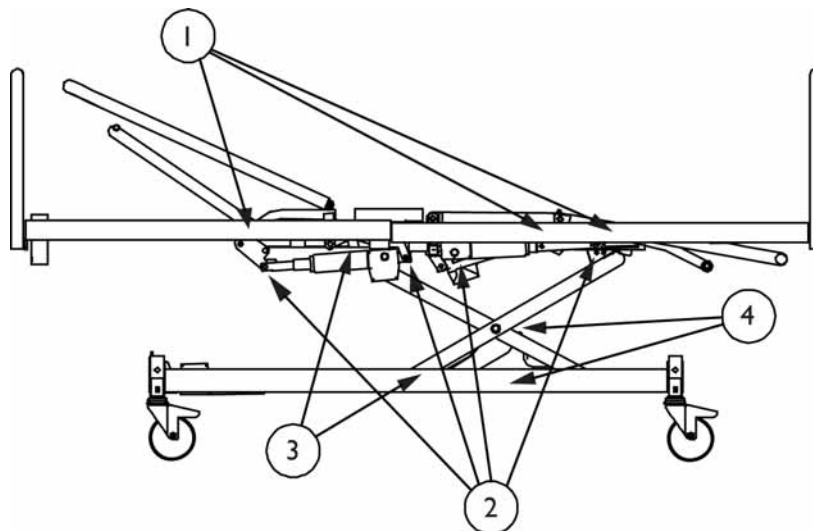
Eine Ersatzteilliste mit allen Ident.-Nr. kann bei *Invacare*® bestellt werden.

12. Fehlersuche, elektrisches System

Wichtig! Das Bett muss ans Netz angeschlossen sein.



13. Schmierplan



Wir empfehlen, ein **SB750™** gemäß folgendem Plan zu schmieren:

1. Lager der Hubarme - Öl
2. Lager der Motoren/Gasdruckfedern - Öl
3. Gleiter und Führungen - Fett
4. Scherenachse und Scherenrollen - Öl/Fett

Zum Schmieren medizinisch reines Öl z. B. KEW-WO 50, Bestellnr.: 813239 und Fett, Bestellnr.: 1497607 verwenden.

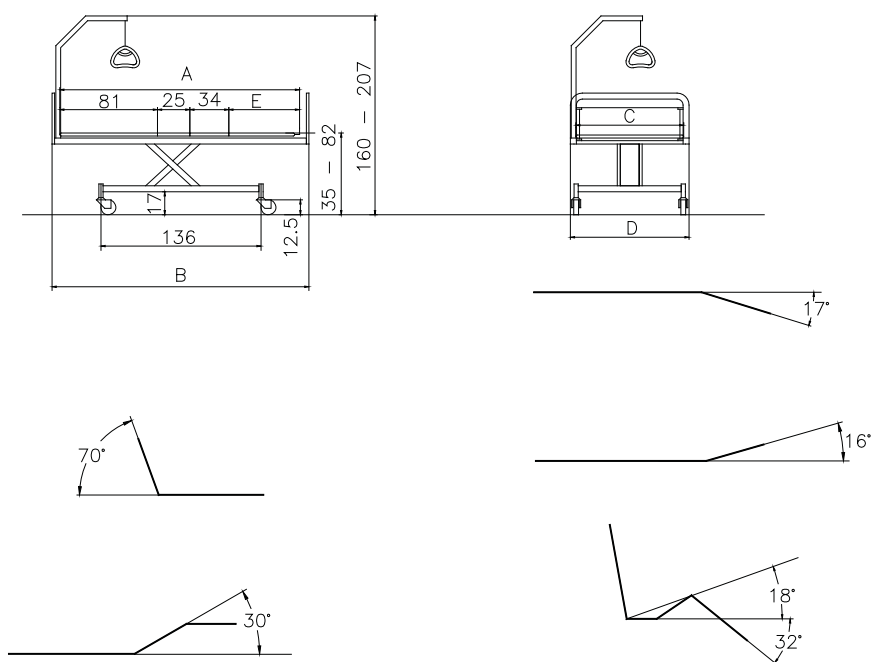
14. Reinigung

Ein Bett der Serie 750 verträgt keine Reinigung in einer Waschanlage oder Reinigung mit einem Wasserstrahl. Verwenden Sie handelsübliche Desinfektionsmittel. Nach dem Wischen das Bett abtrocknen. Niemals Säuren, Basen oder Lösungsmittel verwenden. Bitte Netzstecker ziehen.

Die Rückenlehne und das Bein-/Schenkelteil können vollständig umgelegt werden. Dadurch werden Reinigung und Zugang zur Steuerung erleichtert.

Besonderheiten bei der Reinigung von Handbedienteil, Steuerung und Motoren IP 66: Mit Bürste und Wasser reinigen. Die Verwendung von Druckwasser ist möglich, der Strahl eines Hochdruck- bzw. Dampfdruckreinigers darf aber nicht direkt auf ein Gerät gerichtet sein.

15. Technische Spezifikationen

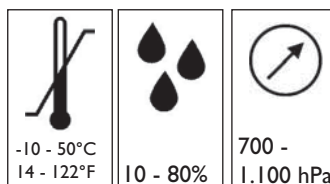


Alle Maßangaben in cm. Alle Winkel in Grad.
 Alle Maßangaben und Winkel ohne Spiel.
 Invacare® behält sich das Recht vor, Maßangaben und Winkel ohne vorherige Ankündigung zu ändern.

WxL	A	B	C	D	E
85x200	200	213	85	95	60
90x200	200	213	90	101	60
85x183	183	196	85	95	43
90x183	183	196	90	101	43
105x200	200	213	105	116	60
120x200	200	213	120	131	60

Transport- und Lagerungsbedingungen:

Temperaturen zwischen -10° und 50° C
 Relative Luftfeuchtigkeit zwischen 10 und 80 % RH.
 Druck zwischen 700 und 1.100 hPa




16. Elektrische Daten


Anschlussspannung:	230 V AC/50 Hz.
Max. Stromaufnahme:	1,5 A.
Benutzungsintervall (Dauerbetrieb der Mot. nicht z.):	10 %, max. 6 Minuten/Stunde.
Max. Akkumulatorkapazität:	1,2 Ah.
Schutzart:	IP 66.
Leistung:	70 VA.
Schalldruck:	48 dB (A).

Doppelt isoliert, Klasse II, Typ B.



Wechselstrom: 

Gleichstrom: 

Max. Belastung (SWL)
(Patient + Matratze + Seitengitter + Aufrichter + ggf. weiteres Zubehör).  = 220 kg

Der Patient ist nicht von Erde oder Masse getrennt.



Potentialausgleich.



Das Bett ist nicht mit einem Netzschalter versehen. Der Netzstecker ist die einzige Trennmöglichkeit vom Netz.

17. Gewicht

Maß / Gewicht	85x200 90x200	105x200	120x200
Liegefläche, Kopfende	25 kg	34 kg	36 kg
Liegefläche, Fußende	25 kg	36 kg	39 kg
Untergestell	40 kg	40 kg	42 kg
Bett insgesamt ohne Zubehör	90 kg	110 kg	117 kg
Kopf- /Fußteil (SANNE III/FLEX III/KARIN III)	6 kg	7 kg	8 kg
Holzseitengitter BRITT IV, pro Stück	8 kg	8 kg	8 kg
Holzseitengitter, pro Stück	7 kg	7 kg	7 kg
Kopf- /Fußteil (ODA/PIGGY), pro Stück	6 kg	-	-
Metallseitengitter, pro Stück	7 kg	7 kg	7 kg
Aufrichter	6,5 kg	6,5 kg	6,5 kg

18. Entsorgung

Dieses Produkt ist von einem umweltbewussten Hersteller geliefert worden, der gemäß der Verordnung 2002/96/CE zur Entsorgung von Elektro- bzw. Elektronikschrott (WEEE) arbeitet.

Dieses Produkt kann Stoffe enthalten, die sich für die Umwelt als schädlich erweisen könnten, falls sie an Orten (Mülldeponien) entsorgt werden, die nach der Gesetzgebung dafür nicht geeignet sind.

Das Symbol der »durchgestrichenen Mülltonne« befindet sich auf diesem Produkt, um Sie an die Verpflichtung zum Recycling zu erinnern.

Bitte verhalten Sie sich umweltbewusst und führen Sie dieses Produkt am Ende seiner Nutzungsdauer Ihrer Recyclingeinrichtung zu.



Inhoud

Gedeelte voor de gebruiker	6
1. Algemene informatie.	6
2. Bediening van het SB750TM	7
Technisch gedeelte	10
3. Informatie.	10
4. Het ontvangen van het SB750TM op de plaats van montage	11
5. Het monteren van de accessoires	13
6. Het demonteren/monteren van het SB750TM	15
7. Bekabeling	17
8. Artikelnummers van de accessoires.	19
9. Onderhoud en controles	21
10. Bedden die met een backup-accu zijn uitgerust	21
11. Onderhoudsschema.	22
12. Het opsporen van fouten in het elektrische systeem	23
13. Smeerkaart.	23
14. Reinigen	24
15. Technische specificaties.	24
16. Elektrische gegevens	25
17. Gewicht.	26
18. Afvalverwerking	26



Gedeelte voor de gebruiker

Gefeliciteerd met het door u gekozen verpleegbed van *Invacare*® EC-Høng A/S, het **SB750**TM.

- Het bed is ontwikkeld voor personen van 12 jaar en ouder die in een verpleeghuis of thuis moeten worden verpleegd.
- Het bed combineert een uitstekende stabiliteit en ergonomisch ontwerp met een eenvoudige demontage en bediening.
- De unieke rugsteunretour van het bed biedt de gebruiker een uitstekend comfort en de verpleegkundige de ideale omstandigheden voor een ergonomisch verantwoorde werkhouding.

Om de patiënt een optimaal comfort te bieden, raadt *Invacare*® het gebruik van een 12 cm dikke matras aan.

I. Algemene informatie



Het **SB750**TM voldoet aan alle eisen betreffende maximale afstanden. Echter, als het bed wordt gebruikt voor het verzorgen van patiënten met kleine lichaamsafmetingen, moet er nadruk op worden gelegd dat er een risico is dat een patiënt door de openingen tussen de zijhekken glipt of door de opening tussen de zijhekken en de matrasondersteuning.



Het bed mag niet worden gebruikt door patiënten onder de 12 jaar, of door patiënten wiens lichaamsgrootte vergelijkbaar of kleiner is met een gemiddelde 12-jarige.



Het bed, in combinatie met zijhekken, mag niet worden gebruikt door personen onder 45 kg, personen die kleiner zijn dan 150 centimeter, of voor personen die onrustig (spasmes) of verward zijn, tenzij

- een professionele risicobeoordeling plaats heeft gevonden en is geaccepteerd, of
- een correct geïnstalleerde veiligheidshoes op de zijhekken wordt gebruikt.



Wanneer er gebruik gemaakt wordt van zijhekken met de bijbehorende veiligheidshoes, is het essentieel om correcte montage te waarborgen - **anders bestaat er het gevaar dat de patiënt vast komt te zitten // verstrikt tussen de matrasondersteuning, het zijhek en het bedeinde!**



Als het bed gebruikt wordt door onrustige (spasmes) of verwarde personen, kan een ACP doos gebruikt worden om de handcontrole functies te blokkeren en/of een begrenzingsbuis worden geïnstalleerd onder de beensectie van de matrasondersteuning. Deze buis voorkomt dat de beensectie verlaagd wordt tot onder de hoogte van de matrasondersteuning, waardoor de opening tussen beensectie en bedeinde wordt verkleind.



Garandeer dat het bed in de laagste positie staat voordat u het bed onbeheerd achterlaat - hierdoor wordt het effect van ongelukken met naar beneden vallen of vast komen te zitten verminderd.



Invacare® accepteert geen enkele aansprakelijkheid voor enigerlei gebruik, wijziging of montage van het product waarbij van deze handleiding wordt afgeweken.

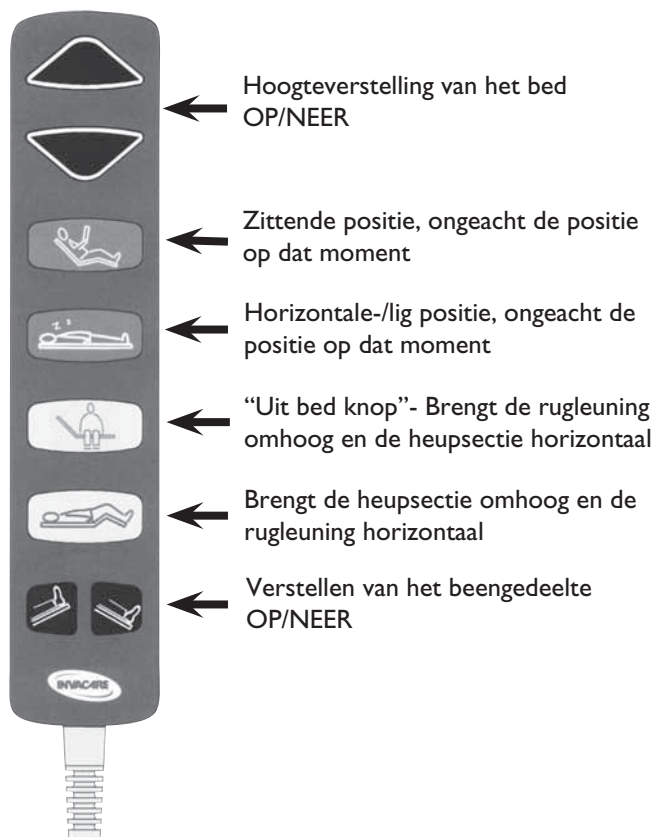


Het bed moet zo worden geplaatst dat de hoogteaanpassing (omhoog/omlaag) niet wordt geblokkeerd door bijvoorbeeld liften of meubilair. Anders kan dit leiden tot letsel bij de gebruiker en/of schade aan de apparatuur.

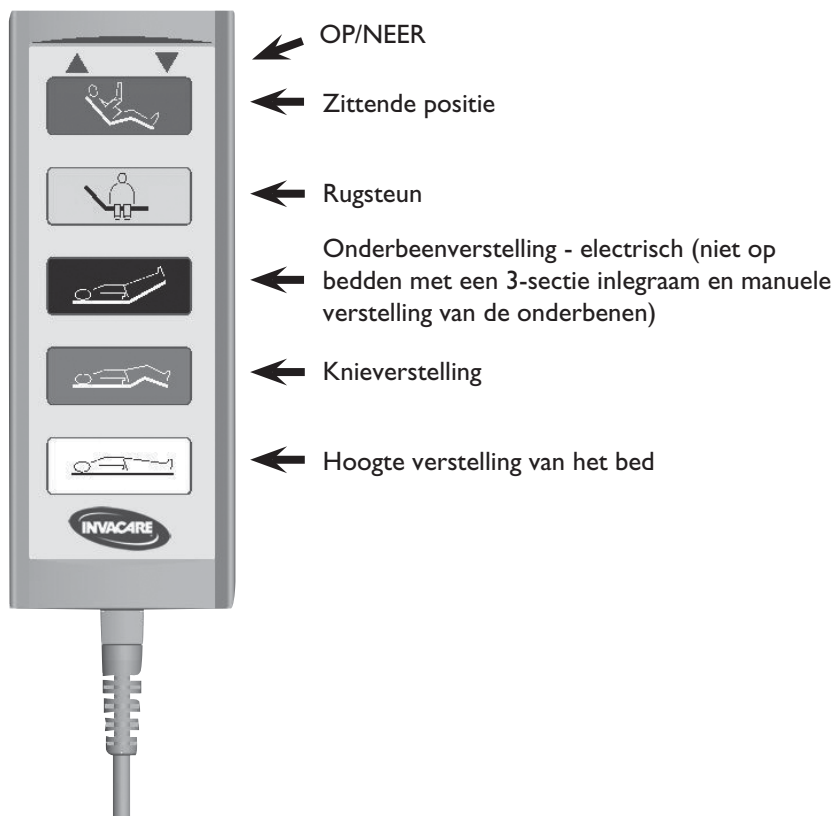
Om gemakkelijk in of uit bed te komen, moet met altijd de hoogteverstelling gebruiken. Tevens kan ter ondersteuning het ruggedeelte gebruikt worden (gele knop op de handbediening). Echter, zorg dat het onderbeen gedeelte horizontaal is, anders bestaat het risico van overbelasting van het inlegraam.

2. Bediening van het SB750™

Met een Soft Control handbediening:

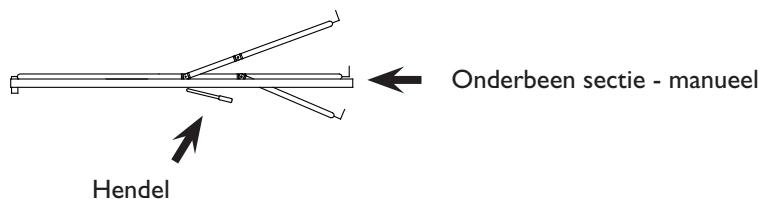


Of met een HB 70 handbediening:



Bediening van de onderbeenverstelling op bedden met gasveren

Breng de hendel met één hand omhoog en pas tegelijkertijd met de andere hand het beengedeelte aan. Laat de hendel los.



Bediening van het beengedeelte op SB750, 120 cm breed, met Rastofix

Verhogen van het beengedeelte: Til het beengedeelte op tot de gewenste hoogte.

NB: Zorg ervoor dat beide Rastofix beugels goed zijn vergrendeld.

Verlagen van de beengedeelte: Til het beengedeelte iets op en verlaag naar horizontaal.



Laat het bed **altijd** in de laagste stand. Anders bestaat er namelijk gevaar voor afknelling als gevolg van het onopzettelijke omlaag brengen van de matrashouder. Personen die zich tijdens hoog teverstellingen onder het bed bevinden, kunnen ernstig letsel oplopen.

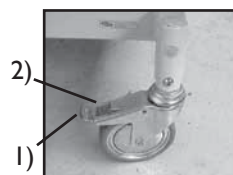
Bediening van de remmende zwenkwielen

Bediening van zwenkwielen zonder centraal remsysteem

Wanneer het bed op de juiste plaats staat, moet minimaal één zwenkwiel aan het Hoofdeinde en één zwenkwiel aan het voeteneinde worden geblokkeerd.

1) Remmen: Druk de rem met de voet omlaag.

2) De rem ontgrendelen: Druk met de voet op de ontgrendelingshendel.



Bediening van zwenkwielen met centraal remsysteem

Wanneer het bed op de juiste plaats staat, moeten de remmen worden geactiveerd.

1) Het remmen van het bed: Druk met de voet op het rode pedaal als de rem in de neutraalstand staat.

2) Het ontgrendelen van de rem: Druk met de voet op het groene pedaal tot de rem in de neutraalstand staat.



Bediening van de stuurbare zwenkwielen

Het **SB750TM** met centraal remsysteem kan met een stuurbaar zwenkwiel zijn uitgerust. Het stuurbare zwenkwiel wordt bediend met behulp van het centrale rempedaal.

1) Activering van de stuurinrichting: Druk met de voet op het groene pedaal als de rem in de neutrale stand staat.

2) Deactivering van de stuurinrichting: Druk met de voet op het rode pedaal tot de rem in de neutrale stand staat.

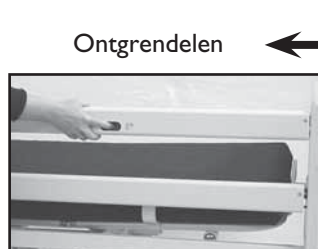
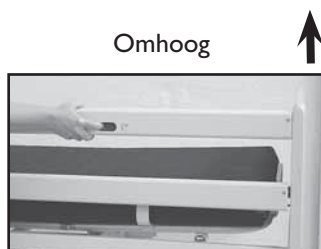
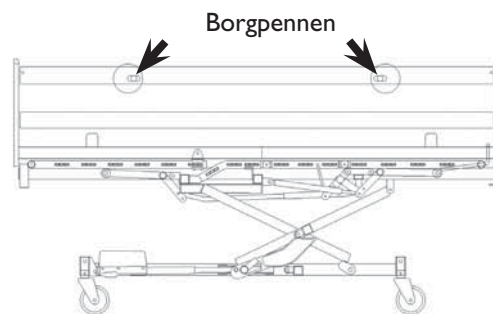
Afscheiding van de wielen in de vorm van sporen kunnen ontstaan onder bijzondere omstandigheden bij speciale soorten vloerbedekking – waaronder ook on- of slecht behandelde vloeren. In geval van twijfel, raadt *Invacare*[®] aan een geschikte bescherming tussen de wielen en de vloer te plaatsen.

Bediening van de houten zijrail BRITT II/III/IV

Het bedeinde kan zo worden uitgerust dat de zijrail op de middenhoogte en de bovenste stand wordt vergrendeld. Normaliter kan de zijrail alleen in de bovenste stand worden vergrendeld.

Omhoog: Trek de bovenste stang van de houten zijrail omhoog tot de borgpen met een hoorbare klik wordt vergrendeld.

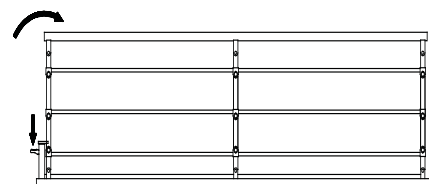
Omlaag: Til de bovenste stang van de houten zijrail omlaag en druk de beide borgpennen in. Laat de zijrail zakken.



Bediening van de stalen zijrail

Omhoog: Til de bovenste stalen stang van de zijrail naar het uiteinde met het vergrendelingsmechanisme.

Omlaag: Druk op de ontgrendelingsknop en trek de bovenste stang van de stalen zijrail van het vergrendelingsmechanisme af.



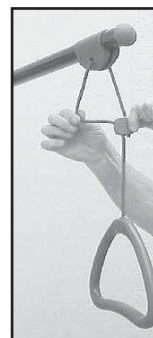
Wees voorzichtig dat uw vingers niet bekneld raken bij montage en bediening van de metalen zijrails. Zorg ervoor dat de zijrailvergrendeling is ingeschakeld door stevig aan de bovenste stang te trekken en te duwen.

Hoogteverstelling van de hefzuil

Maak het koord los als weergegeven in fig. A. De hefhendel kan nu op de gewenste hoogte worden afgesteld. Knijp het koord samen als weergegeven in fig. B en trek aan de hendel om te controleren of het koord in de koordvergrendeling zit.



Positioneer de hefzuil zodanig dat de hendel zich boven het bed bevindt. Als de hefzuil wordt bediend terwijl de hendel van het bed af is gericht - kan het bed omkantelen bij gebruik van de hendel.



Technisch gedeelte

Invacare[®] is gecertificeerd volgens DS/EN ISO 9001 aan ISO 13485, hetgeen onze klanten altijd van *Invacare*[®] producten van uniforme kwaliteit verzekerd.

Tijdens het gehele productieproces worden onze materialen aan producten door ons technische personeel op kwaliteit gecontroleerd. Bovendien wordt na de volledige assemblage van het product een eindtest uitgevoerd.

Hierbij worden alle bewegende delen, motors/gasveren en zwenkwielen gecontroleerd en plaatst de verantwoordelijke technicus zijn persoonlijke QA-nummer op het product om de kwaliteit ervan te bevestigen.

QA XXX

Als het product niet voldoet aan de kwaliteitseisen van *Invacare*[®] EC-Høng A/S, wordt dit vernietigd.

Als er zich tegen onze verwachtingen toch een probleem bij het afgeleverde product voordoet, kunt u contact opnemen met uw *Invacare*[®]-dealer.

3. Informatie

Wij raden u aan om alle technische hoofdstukken zorgvuldig te lezen alvorens het bed in gebruik te nemen of te onderhouden. Alle aanwijzingen voor links en rechts gaan uit van een patiënt die op zijn rug op bed ligt. Er kunnen hoofdstukken in deze gebruiksaanwijzing staan die niet van toepassing zijn op uw type bed.

- Het **SB750TM** is CE-gemarkeerd conform Richtlijn 93/42/EEG van de Raad betreffende medische hulpmiddelen.
- **SB750TM** is getest door het Hjælpemiddelinstittet (Deense centrum voor technische hulpmiddelen) conform EN 1970.
- **SB750TM** is door DEMKO (Deense controledienst van elektrische materialen) getest op de elektromagnetische compatibiliteit.
- **SB750TM** heeft een risicoanalyse conform EN 14971 ondergaan.
- **SB750TM** is goedgekeurd voor een max. belasting van: 220 kg inclusief apparatuur.

Max. gewicht patiënt: 185 kg.

De bedieningseenheid en motors zijn beveiligd conform IP 66. Bij elektronische onderdelen die conform IP 66 zijn beveiligd, **moet** de borgnok van de bedieningseenheid worden gebruikt, aangezien *Invacare*[®] de beveiliging niet kan garanderen.



Het is mogelijk dat er elektromagnetische storing ontstaat tussen het bed en andere elektrische producten. Om de kans op storing te verminderen, vergroot de afstand tussen het bed en het product of schakel het product uit. Het bed mag gebruikt worden in combinatie met **MEDISCHE ELEKTRISCHE APPARATUUR** dat intravasculair of intracardiaal bevestigd is.

Hierbij moeten de volgende punten in acht worden genomen:

- Het bed is uitgerust met een spanningsegalisatie regelaar. Deze wordt aangegeven met een symbool te vinden achter in deze handleiding
- De medische elektrische apparatuur mag niet worden bevestigd aan metalen delen van het bed zoals de zijhekken, papegaai, infuusstandaard enz. Tevens mag de netstroomkabel van de medische elektrische apparatuur niet in de buurt zijn van de metalen en/of bewegende delen van het bed.



Invacare[®] accepteert geen enkele aansprakelijkheid voor enigerlei gebruik, wijziging of montage van het product waarbij van deze handleiding wordt afgeweken.

Bij wijzigingen in de werking van het bed dient u het bed onmiddellijk voor controle op te sturen. Zie het onderhoudsschema in hoofdstuk II.

4. Het ontvangen van het SB750™ op de plaats van montage



Door de condense, mag het bed niet gebruikt worden voor het weer terug op kamertemperatuur.



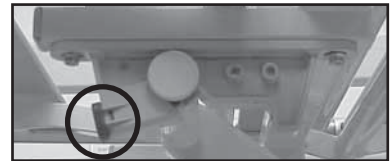
Controleer of het bed tekenen van schade vertoont. Raadpleeg de leveringsvoorwaarden als het bed beschadigd is.

Als het bed in onderdelen is afgeleverd, moet dit worden geassembleerd.
Zie hoofdstuk 6 “Het demonteren/monteren van het SB750™”.

Controleer of de verbinding tussen de matrashouder en het onderframe goed vergrendeld is (zie afbeelding).

Controleer of alle stekkers van de motoren en handbediening geheel conform de symbolen op de bedieningseenheid zijn aangesloten.

**Vergrendelde
klikvergrendeling**



**Ontgrendelde
klikvergrendeling**



Tijdens de verpleging van een patiënt in het bed moeten de remmen van het bed zijn ingeschakeld.



Verwijder altijd eerst de stekker uit het stopcontact alvorens het bed te verplaatsen.
Tijdens transport moet de kabel van de vloer en uit de zwenkwielen worden gehouden.

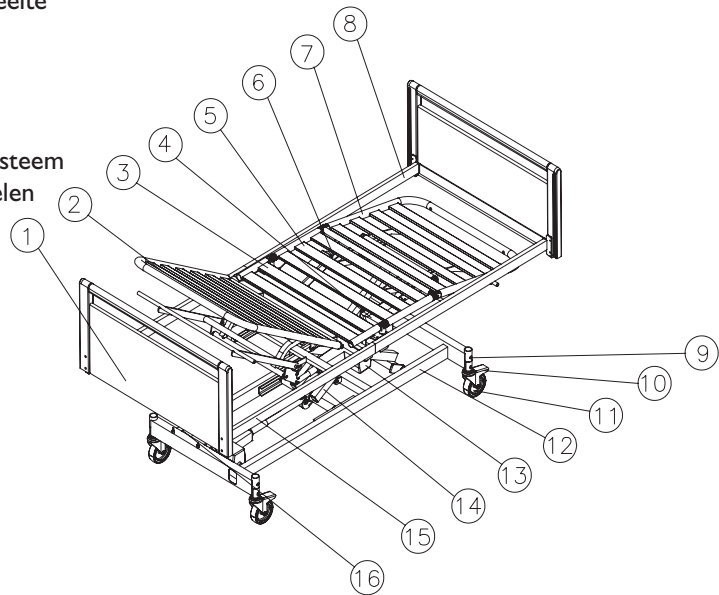
Verbind het **SB750™** met de netspanning.

Voor een ergonomische werkhouding: Plaats het bed ongeveer op de middenhoogte.
Zie hoofdstuk 2 “Bediening van het SB750™”.

Monteer de accessoires: Bedeinden, zijrails, hefzuil en stootwiel.
Zie hoofdstuk 5 “Het monteren van de accessoires”.

Onderdelen van een standaardbed

1. Inbussleutel
2. Rugsteun
3. Zitgedeelte
4. 24 V motor, beengedeelte/gasveer, beengedeelte
5. Bovenbeengedeelte
6. 24 V motor, bovenbeengedeelte
7. Beengedeelte
8. Bovenframe, voeteneinde
9. Rempedaal voor bedden met centraal remsysteem
10. Rem voor bedden met remmende zwenkwielen
11. Zwenkwiel
12. Onderframe
13. 24 V motor, rugsteun
14. Schaararmen
15. Bovenframe, hoofdeinde
16. Bedieningseenheid



Accessoires

- Accubox
- Bevestigingen
- Bedeinde
- Houten zijrail
- Stalen zijrail
- Vleugelmoer
- Hefzuil
- Stootwiel

Bediening van het ingebouwde inlegraamverlengstuk

Het inlegraamverlengstuk wordt gemonteerd met behulp van de inbussleutel. De inbussleutel wordt bewaard aan de binnenzijde van de dwarsstang aan het hoofdeinde.

1. Verwijder de houten zijrails (zie hoofdstuk 5).
2. Verwijder met de inbussleutel de 2 bevestigingsbouten van de bevestiging onder de zijstang.
3. Trek de bevestiging zover uit dat deze 16 cm uitsteekt. Plaats de 2 bouten terug en draai deze opnieuw vast.
4. Draai de 2 bouten onder de matrashouder op het beengedeelte los, trek de hendel geheel omhoog en draai de bouten opnieuw aan.
5. Plaats het matrashouderverlengstuk.

Ontgrendelen van de inlegraamonderdelen bij een noodsituatie

De noodontgrendeling van de matrashouder is bijvoorbeeld nodig bij stroom- of motorstoringen. Een noodontgrendeling van de hoogteverstelling is NIET mogelijk!

- Verwijder de stekker uit het stopcontact alvorens de noodontgrendeling van de matrashouder te gebruiken.
- In noodgevallen kunnen de matrasgedeelten worden ontgrendeld door de splitpen uit de betreffende motor/gasveer te drukken.



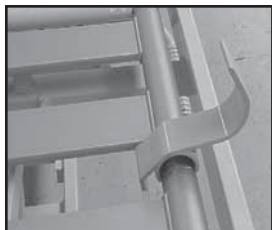
Het ontgrendelen van een matrasgedeelte vergt ten minste 2 personen. Beide personen houden het matrasgedeelte in de vergrendelde stand vast. Vervolgens trekt één persoon de splitpen naar buiten. Ten slotte brengen beide personen het matrasgedeelte langzaam omlaag totdat dit volledig omlaag is.

5. Het monteren van de accessoires

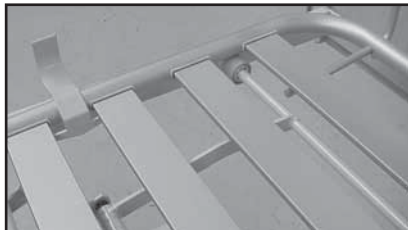
Alle accessoires van het **SB750TM** kunnen met een inbussleutel en een verstelbare steeksleutel worden gemonteerd/gedemonteerd. De inbussleutel wordt bewaard aan de binnenzijde van de dwarsstang aan het hoofdeinde van het bovenframe.

De inbussleutel dient voor het monteren/demonteren van alle bevestigingen.

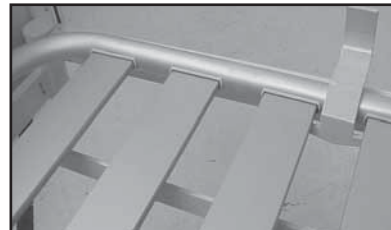
Montage van matrasgreep



De matrasgreep wordt omlaag drukt over het matrasframe heen.



Aan te brengen tussen de derde en vierde lamel van de rugsteun.

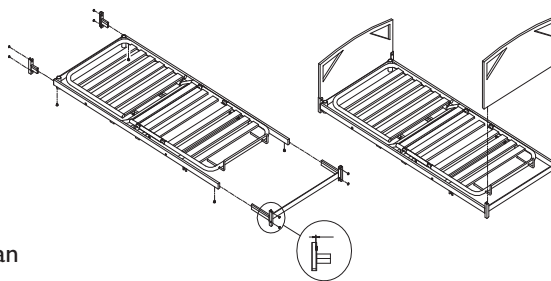


Aan te brengen tussen de derde en vierde lamel van het beengedeelte.

Montage van de bevestigingen

(Bij bevestigingen die nog niet in de fabriek zijn gemonteerd)

1. Monteer de 2 kleine bevestigingen aan het hoofdeinde en draai deze aan met de inbussleutel.
2. Monteer de grote bevestigingen en de gelaste bevestiging aan het voeteneinde en draai deze aan met de inbussleutel.



Montage van de bedeinden PIGGY en ODA

Druk het bedeinde in de U-profielen.

Montage van het bedeinde FLEX III/KARIN III

Bevestig het bedeinde met de bouten aan de bedeindebevestigingen en draai deze aan met de inbussleutel.

Montage van het bedeinde SANNE III

Plaats de inkepingen aan de bevestigingen aan weerszijden van het bedeinde over de pennen aan de bevestiging en druk het bedeinde omlaag.

De bevestigingen worden automatisch vergrendeld. Controleer of het bedeinde vergrendeld is.



Demontage van het bedeinde SANNE III

Trek de borgpen naar buiten en draai deze half rond.

Herhaal deze handeling aan het andere uiteinde.

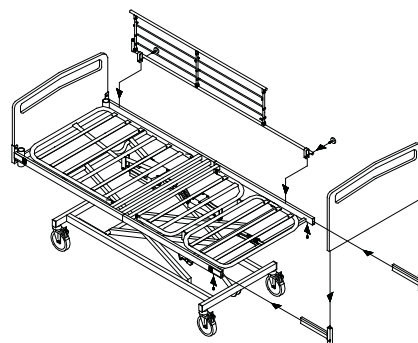
Trek het bedeinde omhoog en verwijder dit.

Montage/demontage van de stalen zijrail

Montage: Zie het etiket op het onrusthek.

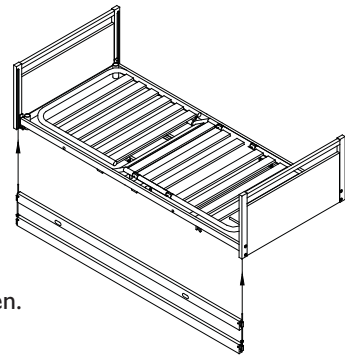
Draai de zijrail vast met 2 vleugelmoeren.

Demontage: Draai de vleugelmoeren los en verwijder de stalen zijrail.



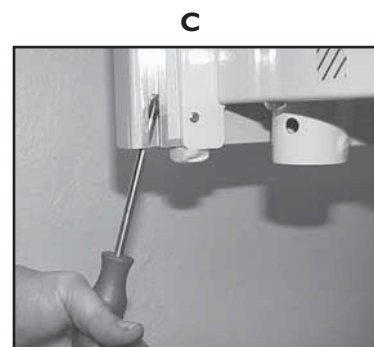
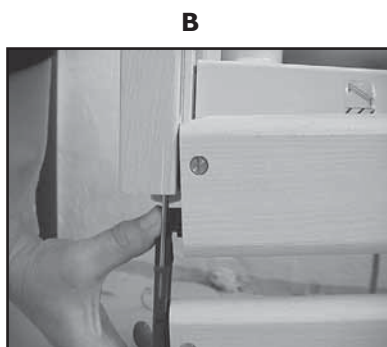
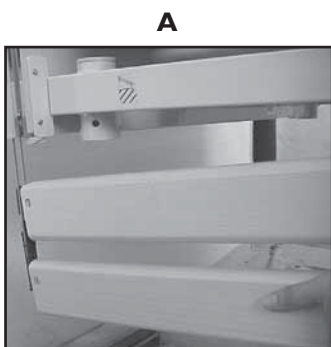
Plaatsen van het BRITT II/III/IV onrusthek

1. Zorg dat het bed tot zo'n 1/3 omhoog staat.
 2. Verwijder de beschermingstape van de fixatiepinnen op beide einden van het onrusthek.
 3. Plaats één kant per keer. Til de onderste houten balk op en geleid de metalen boog naar het metalen rail op het hoofd-, voetenbord (A).
 4. Druk de fixatiepin in met een vinger (B).
 5. Geleid het onrusthek naar boven totdat het veermechanisme van de fixatiepin weer naar buiten springt en ervoor zorgt dat het onrusthek er niet uitvalt.
- Herhaal punten 3 tot 5 wanneer u het ander einde van het onrusthek gaat plaatsen.



Verwijderen van het BRITT II/III/IV onrusthek

1. Zorg dat het bed tot zo'n 1/3 omhoog staat. Breng het onrusthek omlaag.
 2. Verwijder één kant per keer. Til de onderste houten balk op zodat de fixatiepin zichtbaar wordt.
 3. Druk de fixatiepin in met een steeksleutel of schroevendraaier (C).
 4. Houdt het onrusthek goed onderaan vast. Laat het onrusthek zakken totdat de metalen boog vrij komt.
- Herhaal punten 2 tot 4 wanneer u het ander einde van het onrusthek gaat verwijderen.



Montage van de hefzuil

Verwijder de kunststof aanslag in de hefzuilbuis waarin de hefzuil moet worden gemonteerd.

Montage van de hefzuil - GEBRUIK de vleugelmoer.

Vleugelmoer

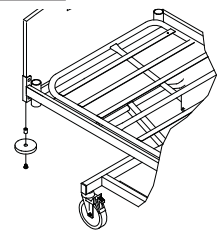
Hefzuilius met kunststof



Montage van het stootwiel

Monteer de bus in het stootwiel - en draai deze aan met een bout onder de bevestiging.

Op de bedeinden SANNE kunnen geen stootwielen worden gemonteerd.



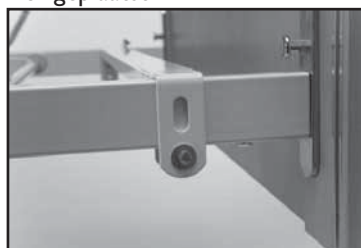
Montage van de begrenzer onder de onderbeensectie



Als het bed gebruikt wordt door onrustige (spasmes) of verwarde personen, kan een begrenzingsbuis worden geïnstalleerd onder de beensectie van de matrasondersteuning. Deze buis voorkomt dat de beensectie verlaagd wordt tot onder de hoogte van de matrasondersteuning, waardoor de opening tussen beensectie en bedeinde wordt verkleind.

Til de onderbeensectie van het inlegram op en monteer de begrenzer. Draai beide schroeven vast.

De begrenzer wordt hier geplaatst



Draai de schroeven aan



Correct geplaatste begrenzer



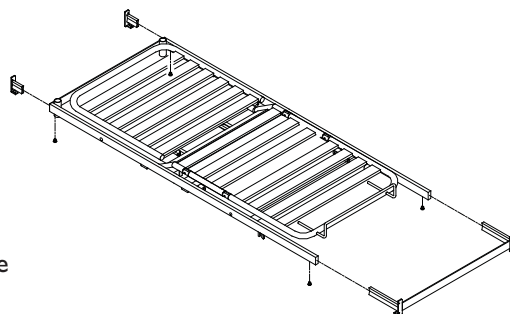
Bediening van het ingebouwde inlegraamverlengstuk



Waarschuwing! Om beknelling en verstikking te voorkomen, moet u ook altijd het inlegraam verlengen wanneer u de bedeinden uittrekt.

Het inlegraamverlengstuk wordt gemonteerd met behulp van de inbussleutel. De inbussleutel wordt bewaard aan de binnenzijde van de dwarsstang aan het hoofdeinde.

1. Verwijder de houten zijrails (zie hoofdstuk 5).
2. Verwijder met de inbussleutel de 2 bevestigingsbouten van de bevestiging onder de zijstang.
3. Trek de bevestiging zover uit dat deze 16 cm uitsteekt. Plaats de 2 bouten terug en draai deze opnieuw vast.
4. Draai de 2 bouten onder de matrashouder op het beengedeelte los, trek de hendel geheel omhoog en draai de bouten opnieuw aan.
5. Plaats het matrashouderverlengstuk.



6. Het demonteren/monteren van het SB750™

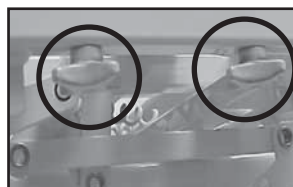
Demontage

1. Controleer of de remmen van de zwenkwielen zijn vergrendeld.
2. Demonteer alle accessoires.
3. Laat het bed op de aangegeven hoogte zodat de nokken aan de geleidebaan van het onderframe en de schaararmen tegenover elkaar staan.
4. Verbreek de stroomtoevoer.
5. Verwijder de borgnok van de bedieningseenheid.
6. Maak de stekkers van de motoren voor de rugsteun, het bovenbeengedeelte en het beengedeelte los en controleer of de kabels niet achter het onderframe haken.
7. Verwijder de vleugelmoeren van 2x2 van de zijstangen.
8. Trek het hoofdgedeelte van het bovenframe zo ver mogelijk uit de inzetstukken in de zijstangen en laat het gedeelte vervolgens op de vloer zakken.
9. Ontgrendel de 2 bevestigingen/klikvergrendelingen aan het voetengedeelte van het bovenframe door de borgpen naar buiten te trekken en rechtsonder te draaien.
10. Laat het voetengedeelte van het bovenframe zakken en til dit uit het onderframe. Verwijder het hoofdgedeelte van het bovenframe van het onderframe.
11. Verbind het onderframe opnieuw met de netspanning en laat dit volledig zakken.

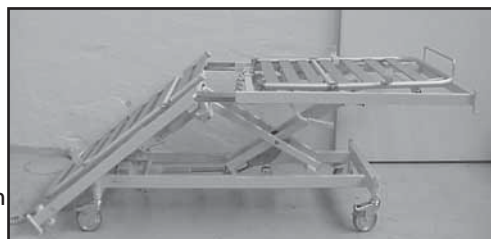
3.



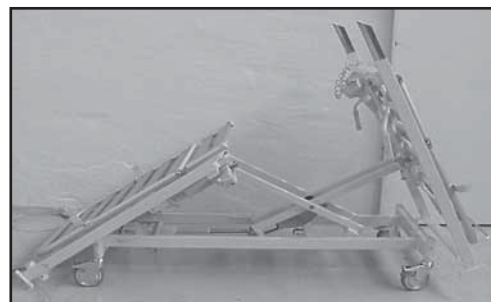
7.



8.

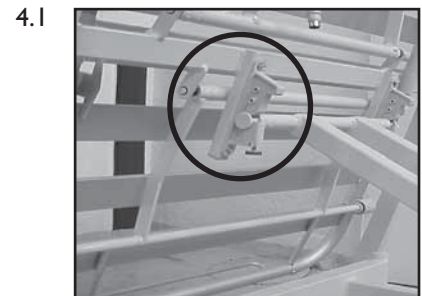


10.



Montage

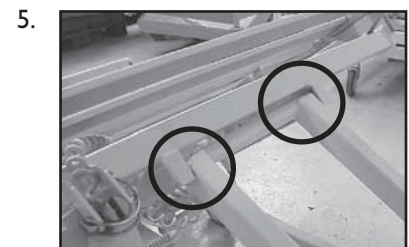
1. Controleer of de remmen van de zwenkwielen zijn vergrendeld.
2. Verbind het onderframe met de netspanning.
3. Plaats het bed op de aangegeven hoogte zodat de nokken aan de geleidebaan van het onderframe en de schaararmen tegenover elkaar staan (zie fig. 3, pagina 15).
4. Til het voeteneinde van het bovenframe zodanig omhoog dat de beide bevestigingen/klikvergrendelingen op de pennen op de schaararmen (4.1) passen.



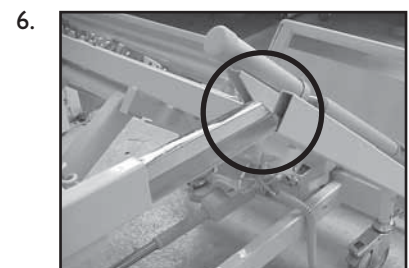
Controleer of de borgpen is vastgeklikt en vergrendeld (4.2). Plaats het voeteneinde van het bovenframe vervolgens in horizontale positie.



5. Plaats het hoofdeinde van het bovenframe voor het onderframe en laat dit zakken zodat de kunststof glij-elementen in de geleidebaan schuiven.



6. Til het hoofdeinde van het bovenframe en duw dit zo ver mogelijk in de inzetstukken.



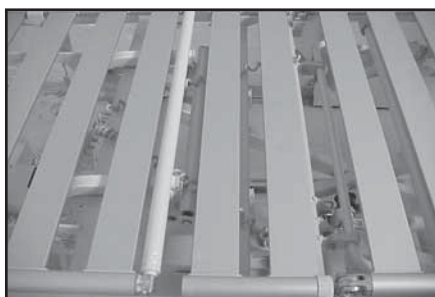
7. Schroef de vleugelmoeren van 2x2 in de zijstangen.
8. Verbind de stekkers van de motors voor de rugsteun, het bovenbeen-gedeelte en het beengedeelte met de bedieningseenheid, zie hoofd-stuk 7. Bekabeling.
9. Monteer de accessoires.



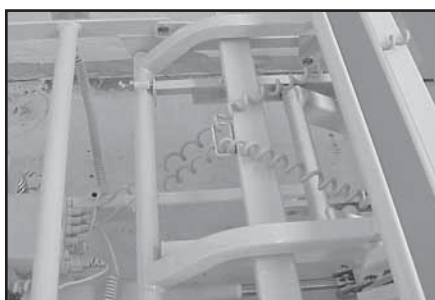
7. Bekabeling



De kabels zijn geplaatst vanaf de onderkanten door de opening van de motoreinde gevoerd.



Geleid de kabels onder de lamellen.

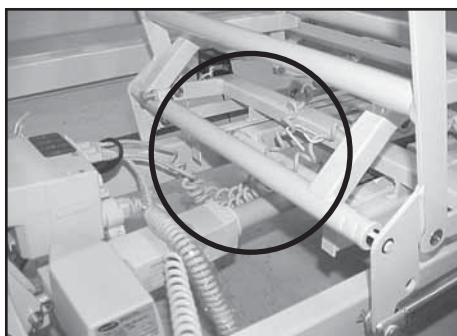


Plaats de kabels door de kabelboog en verder naar de combibox.

Deze foto's laten een bed zien met 2 motoren voor het inlegraam.

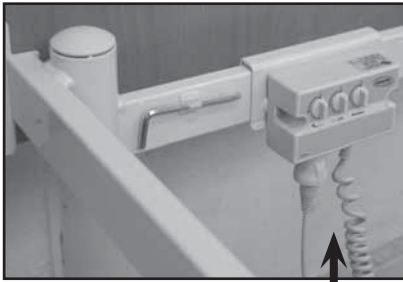
Controleer de bekabeling door alle motoren tot hun maximale uitslag te bewegen.

Wanneer alle kabels juist zijn bevestigd, dan is er geen risico op het bekneld raken van de kabels.



Het is normaal dat de kabels na verloop van tijd lossier komen te hangen.

ACP Box (optionaal)



De handbediening kan vergrendeld worden door de knop van de APC box om te draaien. Er moet gecontroleerd worden of de vergrendelings functie geactiveerd is.

Dit kan door de knopen van de handbediening in te drukken.



Open



Vergrendeld



**Verwijdering
van vergrendeling**

Vervanging van de aan de ACP-box bevestigde handbediening

De witte vergrendelings ring aan de ACP box moet eerts uitgetrokken worden, voordat de handbediening verwijderd kan worden.

8. Artikelnummers van de accessoires

Artikel	Afmetingen	Artikelnr.:
HOUTEN BEDEINDE		
SANNE III (beuk)	85 cm	020429.01
SANNE III (beuk)	90 cm	020740.01
SANNE III (beuk)	105 cm	021953.01
SANNE III (beuk)	120 cm	021954.01
SANNE III, kers (Kers/Beuk)	90 cm	021956.07
SANNE III, verhoogd en verlaagd (beuk *)	85 cm	1451258-0101
SANNE III, verhoogd en verlaagd (beuk *)	90 cm	1451257-0101
SANNE III, verhoogd en verlaagd (beuk *)	105 cm	1484403-0101
SANNE III, verhoogd en verlaagd (beuk *)	120 cm	1484404-0101
*) Te gebruiken met de houten zijrail LILLI III		
FLEX III (beuk)	85 cm	020417.01
FLEX III (beuk)	90 cm	020737.01
PIGGY (beuk / U-profielen)	85 cm	020431.01
PIGGY (beuk / U-profielen)	90 cm	018940.01
ODA (beuk / U-profielen)	85 cm	020430.01
ODA (beuk / U-profielen)	90 cm	016609.01
Andere hoofd / voetenborden zijn verkrijgbaar, neem contact op met <i>Invacare</i> ®		
ZIJRAIL		
Scala Basic Metalen zijrail (inklapbaar)		1432784-1015
Scala Basic Plus Metalen zijrail (inklapbaar, met kunststof inzetstuk)		1432787-1015
Scala Medium Metalen zijrail (inklapbaar)		1432781-1015
Scala Decubi Metalen zijrail (inklapbaar)		1432793-1015
Metalen zijrail model 5539, verlengd (inklapbaar, met losse vleugelmoer)		50.55390.D0/L+R
Houten zijrail BRITT IV (hoogte + 2.5 cm, beuk)		1427875-0101
Houten zijrail BRITT IV (hoogte + 2.5 cm, kers)		1427875-0102
Houten zijrail BRITT IV (hoogte + 2.5 cm, wit beuken)		1427875-0105
Houten zijrail BRITT III (beuk)		020434.01
Houten zijrail BRITT III, kort (beuk)		021342.01
Houten zijrail BRITT III (kers)		020434.02
Houten zijrail BRITT III, kort (wit beuken)		021342.05
Houten zijrail BRITT III (wit beuken)		020434.05
Houten zijrail BRITT II, verlengd (beuk)		019372.01
Houten zijrail BRITT II, verlengd (kers)		019372.02
Houten zijrail BRITT II, verlengd (wit beuken)		019372.05
Houten zijrail LILLI III (beuk)		1433812-0101
Houten zijrail LILLI III (kers)		1433812-0102
Houten zijrail LILLI III, verlengd (beuk)		1434044-0101
Rails voor matrashouderverlengstuk		017639.D0
ONDERSTEUNINGSHANDGREEP		
Ondersteuningshandgreep	25x30 cm	021964.D0
Ondersteuningshandgreep	40x50 cm	021963.D0
Ondersteuningshandgreep	25x80 cm	1417510-1015
Ondersteuningshandgreep	40x30 cm	1417511-1015
Ondersteuningshandgreep	40x95 cm	1417512-1015
HEFZUIL		
Hefzuil		50.57600.D0
LIMITERENDE LAT		
Limiterende lat (voorkomt dat de beensectie wordt verlaagd onder het niveau van het bovenste frame)		1510820-1015

Artikel	Afmetingen	Artikelnr.:
DRUPPELINFUUS		
Standaard voor druppelinfluus.		50.60030.D0
Standaard voor druppelinfluus (voor montage in hefzuilbuis)		50.60910.00
STOOTWIELEN		
Stootwielen (per stuk)	75 mm	50.59600.00
Stootwielen (per stuk)	100 mm	50.59610.00
Stootwielen (per stuk)	150 mm	50.59640.00
Stootwielen (per stuk, verticaal)	100 mm	50.59630.D0
MATRASSEN		
Dacapo Standard (38 kg/m ³ koudschuim, katoenen hoes)	85x200x10	1421530
Dacapo Standard (38 kg/m ³ koudschuim, katoenen hoes)	90x200x10	1421531
Dacapo Standard (38 kg/m ³ koudschuim, katoenen hoes)	105x200x10	1421532
Dacapo Standard (38 kg/m ³ koudschuim, katoenen hoes)	120x200x10	1421533
Dacapo Basic (38 kg/m ³ koudschuim, incontinentie hoes)	88x200x12	1421551
Dacapo Basic (38 kg/m ³ koudschuim, incontinentie hoes)	83x200x12	1421552
Dacapo Basic (38 kg/m ³ koudschuim, incontinentie hoes)	88x183x12	1421555
Dacapo Basic (38 kg/m ³ koudschuim, incontinentie hoes)	83x183x12	1421556
Dacapo Basic Heavy user (3 gecoate 50/50/38 kg/m ³ koudschuim, incontinentie hoes)	105x200x15	1484429
Dacapo Basic Heavy user (3 gecoate 50/50/38 kg/m ³ koudschuim, incontinentie hoes)	120x200x15	1451262
Dacapo Organic (50 kg/m ³ Organicschuim, eierschaalvorm incontinentie hoes)	85x200x12	1421572
Dacapo Organic (50 kg/m ³ Organicschuim, eierschaalvorm incontinentie hoes)	90x200x12	1421573
Dacapo Combi (2 gecoate 50/38 kg/m ³ , Visco-elastischschuim, incontinentie hoes)	85x200x14	1421489
Dacapo Combi (2 gecoate 50/38 kg/m ³ , Visco-elastischschuim, incontinentie hoes)	90x200x14	1421490
Dacapo Square (2 gecoate 50/38 kg/m ³ , Organicschuim, incontinentie hoes)	83x200x14	1421515
Dacapo Square (2 gecoate 50/38 kg/m ³ , Organicschuim, incontinentie hoes)	88x200x14	1421516
Dacapo Top (50 kg/m ³ , Visco-elastischschuim, incontinentie hoes)	85x200x6	1421587
Dacapo Top (50 kg/m ³ , Visco-elastischschuim, incontinentie hoes)	90x200x6	1421588
Het is mogelijk om extra matrasstukken te kopen voor verlengde bedden.		
VERLAGINGSSET		
Verlagingsset met zwenkwiel Ø75 mm		021343.D0
ZIJRAIL HOEZEN		
Scala hoes voor Britt III, IV en Lilli III houten zijrail.		1449412
Scala hoes voor Britt III houten zijrail, kort.		1449411
Scala hoes voor Britt II en Lilli III houten zijrail, lang.		1493565
Scala hoes voor Britt III, IV en Lilli III houten zijrail, net.		1449413
Scala hoes voor Britt II en Lilli III houten zijrail, net, verlengd		1449415
Scala hoes voor metalen zijrail, basic		1449423
Scala hoes voor metalen zijrail, verhoogd		1449419
Scala hoes voor metalen zijrail, verlengd		1449421
Veiligheidshoes voor Britt III, IV en Lilli III houten zijrail.		1511890
Veiligheidshoes voor Britt III houten zijrail, kort.		1513592
Veiligheidshoes voor Britt II en Lilli III houten zijrail, verlengd.		1511892

9. Onderhoud en controles

Er mogen alleen onderhoudswerkzaamheden aan het **SB750™** worden uitgevoerd door personen die hiervoor de benodigde opleiding hebben gevolgd.

Bij normaal dagelijks gebruik is onderhoud na twee jaar noodzakelijk daarna om het jaar.

Wanneer het bed wordt verhuids blijven de onderhouds bepalingen normaal van kracht.

Als u gebruik maakt van een Flex of Karin hoof-en/of voeteneind is het noodzakelijk de imbus schroeven regelmatig aan te draaien.

De rollers bij de wig moeten bij normaal gebruik na 4 jaar worden gesmeerd (zie punt 4 + 5 op de smerkaart).



Opmerking! Het bovenframe moet tijdens service-inspecties worden ondersteund om te voorkomen dat dit per ongeluk omlaag wordt gebracht.

Het is verstandig om een keer per jaar een veiligheidstest voor de motoren uit te voeren.

Motors, handbediening en bedieningseenheid

Deze onderdelen worden onderhouden door eventuele defecte onderdelen te vervangen.

10. Bedden die met een backup-accu zijn uitgerust

Bij een bed met een backup-accu is naast de bedieningseenheid een extra doos aangebracht.

Preventief onderhoud

De accu's moeten na 4 jaar worden vervangen. Afhankelijk van de gebruikintensiteit moet de backup-accu mogelijk eerder worden vervangen. Regelmatig voorkomende, plotselinge ontladingen verkorten de levensduur van de backup-accu. Het is raadzaam de accu ten minste één keer per jaar te testen. Accu's worden niet beschadigd bij een continue aansluiting op de netspanning.



Vervanging van de accu's

Accu's moeten als set vervangen worden en met hetzelfde type accu vervangen worden.

Accu's zijn als paar geleverd onder artikelnummer: 818323 (12V - 1,2 Ah).

Accu's moeten nieuw zijn en voor onderhoudsdoeleinden ten minste om de 6 maanden worden opgeladen.

De accu's in een set moeten dezelfde productiecodes hebben.

Vóór plaatsing moet worden gecontroleerd of de accuset juist is aangesloten (zie afbeelding in de accudoos) en geen van de aansluitingen los zitten.

Waarschuwing

Oude of defecte accu's kunnen tijdens het opladen een explosief gasmengsel produceren.

De accudoos is voorzien van luchtopeningen die voor en adequate ventilatie van de doos moeten zorgen.

De luchtopeningen mogen niet worden afgedicht of afgedekt, aangezien dit tot drukopbouw en explosiegevaar kan leiden.

Afvoer van afval

Oude accu's mogen aan *Invacare®* worden geretourneerd of op dezelfde wijze als autoaccu's worden afgevoerd.

II. Onderhoudsschema

<p>Er mogen alleen onderhoudswerkzaamheden aan het SB750™ worden uitgevoerd door personen die hiervoor de benodigde opleiding hebben gevolgd</p> <p>Serienummer (afgebeeld op inlegraam): _____</p>					
Datum:	Paraaf:				
Borgveren, splitpennen en kunststof bevestigingsring gecontroleerd.					
Bouten aangedraaid.					
Lasverbindingen gecontroleerd.					
Zijrailvergrendeling en verplaatsingssysteem getest.					
Zwenkwielbevestigingen aangedraaid.					
Zwenkwielremmen gecontroleerd.					
Motor hoogteverstelling gecontroleerd.					
Motor rugsteun gecontroleerd.					
Motor bovenbeengedeelte gecontroleerd.					
Gasveer/motor beengedeelte gecontroleerd.					
Invoeraansluitingen goed vast en onbeschadigd. Stekkers onbeschadigd.					
Beschadigde coating gerepareerd.					
Smering uitgevoerd conform de smeerkartaal. Let op! Het glij systeem van de houten zij-hekken mag niet gesmeerd worden met oil, want dan zullen ze stroever bewegen.					
Accessoires gecontroleerd.					

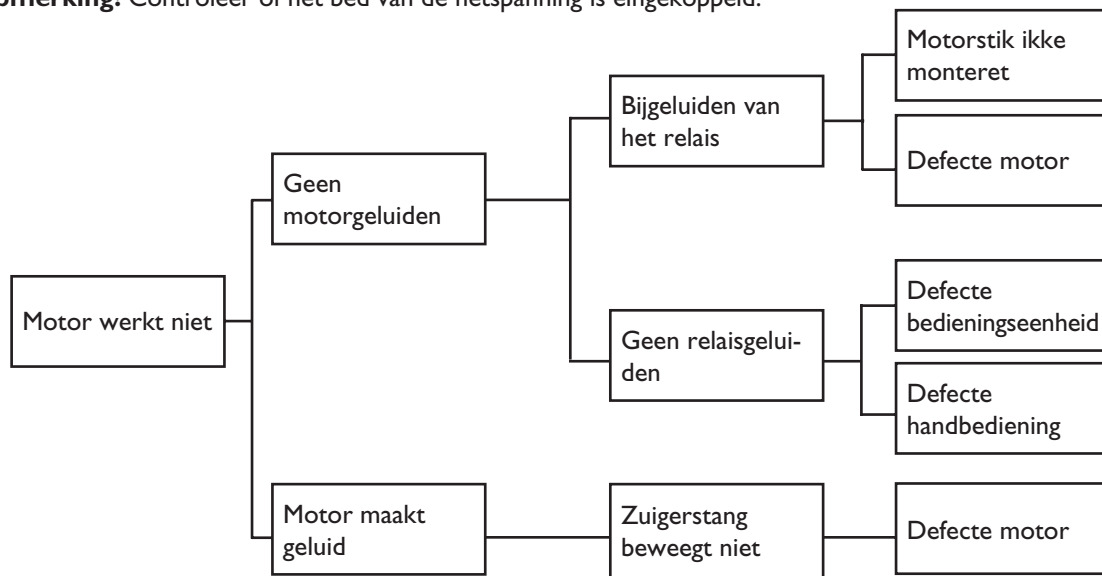
In sommige landen waar *Invacare*® een eigen verkoopkantoor heeft, kunnen service-overeenkomsten worden afgesloten.

Bovendien verzorgt *Invacare*® service- en onderhoudscursussen voor het **SB750™**.

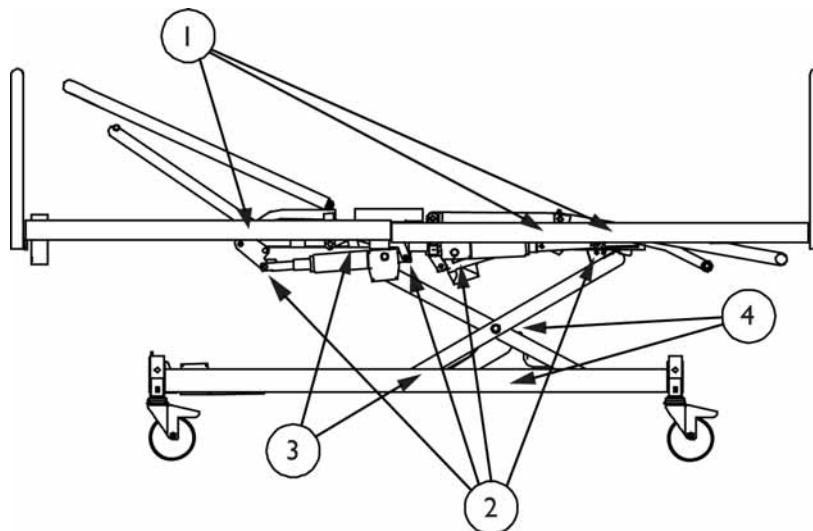
Lijsten met reserveonderdelen en extra handleidingen zijn verkrijgbaar bij *Invacare*®.

12. Het opsporen van fouten in het elektrische systeem

Opmerking! Controleer of het bed van de netspanning is ingekoppeld.



13. Smeerkaart



Het is raadzaam het **SB750TM** aan de hand van de volgende instructies te smeren:

1. Hefarmlagers - smeren met olie
2. Motor-/gasveerlagers - smeren met olie
3. Glij-elementen en geleidebanen - smeren met vet
4. Schaararmassen schaararmrollers - smeren met olie/vet

Smeer met medisch verantwoorde olie, b.v. KEW-WO 50, artikelnr.: 813239 en vet, artikelnr.: 1497607

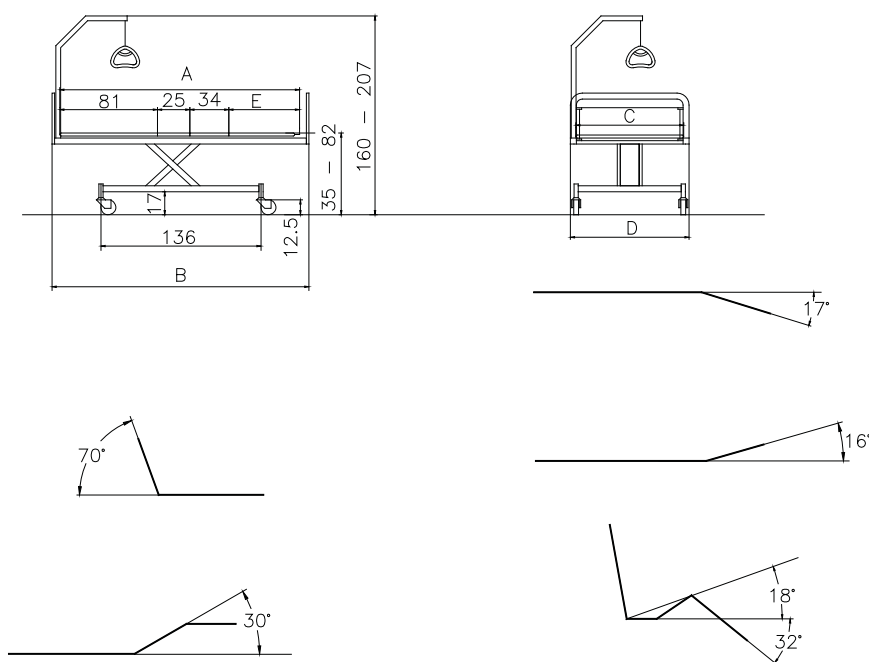
14. Reinigen

Het **SB750™** is niet bestand tegen reiniging met wasmachines of hogedruksputten. Gebruik normale desinfecterende schoonmaakmiddelen. Droog het bed na het reinigen. Gebruik nooit zuren, alkalische middelen of oplosmiddelen. Zorg ervoor dat de stekker voor de stroomvoorziening uit het stopcontact is gehaald. Om het reinigen en de toegang tot de regelbaarheid te vergemakkelijken, kunnen de rugsteun en been/bovenbeengedeelten tot op de matrashouder omlaag worden gebracht.

Belangrijke informatie over het reinigen van de handbediening, bedieningseenheid en motors IP 66:

Reinig altijd met water en borstel. Er mag weliswaar water met een hogere druk worden gebruikt, maar er mag nooit een hogedrukspuit of stoomreiniger rechtstreeks op de eenheden worden gericht.

15. Technische specificaties



WxL	A	B	C	D	E
85x200	200	213	85	95	60
90x200	200	213	90	101	60
85x183	183	196	85	95	43
90x183	183	196	90	101	43
105x200	200	213	105	116	60
120x200	200	213	120	131	60

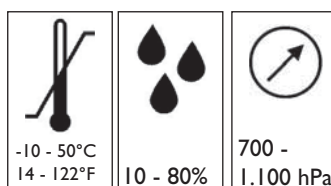
Alle afmetingen luiden in cm. Alle hoeken luiden in graden. Alle afmetingen en hoeken zijn exclusief de toleranties. *Invacare®* behoudt zich het recht voor de afmetingen en hoeken zonder voorafgaande kennisgeving te wijzigen.

Omgevingscondities:

Temperatuur tussen -10° en 50° C

Luchtvochtigheid tussen 10 en 80 % RH.

De druk moet tussen 700 en 1.100 hPa liggen



16. Elektrische gegevens

Voedingsspanning: 230 V AC/50 Hz.

Max. ingangsstroom: 1,5 A.

Intervalfunctie: 10%, max 6 min / h.


Max. capaciteit accu: 1,2 Ah.


Veiligheidsklasse: IP 66.

Uitgangsspanning: 70 VA.

Geluidsniveau: 48 dB (A).

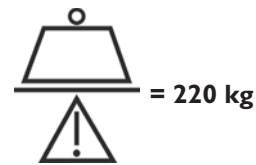
Dubbel geïsoleerd, klasse II, type B.

Wisselstroom: 

Gelijkstroom: 

Max. veilige werkbelasting (SWL)

(Patiënt + matras + zijrail + hefzuil + overige apparatuur).



De patiënt is niet afgeschermd van de massa en het chassis.



Potentiaalvereffening.



De bedieningseenheid heeft geen onderbreker. De stroomtoevoer kan alleen worden verbroken door de stekker uit het stopcontact te verwijderen.

17. Gewicht

Afmetingen / Gewicht	85x200 90x200	105x200	120x200
Bovenframe, hoofdgedeelte, met matrashouder	25 kg	34 kg	36 kg
Bovenframe, voetengedeelte, met matrashouder	25 kg	36 kg	39 kg
Onderframe	40 kg	40 kg	42 kg
Volledig bed, exclusief accessoires	90 kg	110 kg	117 kg
Bedeinde (SANNE III/FLEX III/KARIN III)	6 kg/pcs.	7 kg/pcs.	8 kg/pcs.
Houten zijrail (BRITT II/BRITT III)	7 kg/pcs.	7 kg/pcs.	7 kg/pcs.
Houten zijrail (BRITT IV)	8 kg/pcs.	8 kg/pcs.	8 kg/pcs.
Bedeinde (ODA/PIGGY)	6 kg/pcs.	-	-
Stalen zijrail	7 kg/pcs.	7 kg/pcs.	7 kg/pcs.
Hefzuil	6,5 kg	6,5 kg	6,5 kg

18. Afvalverwerking

Dit product is geleverd door een milieubewuste fabrikant die volledig voldoet aan de richtlijnen van de Electrical and Electronic Equipment (WEEE) Directive 2002/96/CE.

Dit product kan stoffen bevatten die schadelijk zijn voor het milieu wanneer deze niet volgens de richtlijnen worden afgevoerd.

Het container symbool geeft aan dat u wordt verzocht het product te recyclen wanneer mogelijk.

Neem alstublieft uw verantwoordelijkheden en recycle dit product via een erkend recyclingbedrijf aan het eind van het gebruiksleven.



Table des matieres

Section utilisateur	6
1. Informations générales	6
2. Fonctionnement de la télécommande du SB750™	7
Section technique	10
3. Information.	10
4. Réception du SB750™	11
5. Montage des accessoires	13
6. Montage/démontage du SB750™	15
7. Câblage	17
8. Références des accessoires	19
9. Entretien et vérifications.	21
10. Lits équipés d'accumulateurs de sécurité	21
11. Tableau d'entretien	22
12. Dépannage du système électrique	23
13. Tableau de graissage	23
14. Nettoyage	24
15. Spécifications techniques	24
16. Caractéristiques électriques	25
17. Poids	26
18. Traitement des ordures	26

Section utilisateur

Nous vous félicitons d'avoir choisi le lit de soin *Invacare*® EC-Hong's *Scanbed 750*™

- Ce lit a été développé pour les patients âgés de plus 12 ans et ayant besoin de soins en maison de repos ou à domicile.
- Ce lit combine une excellente stabilité et un design ergonomique, avec facilité de démontage et d'utilisation.
- L'unique retour de dossier du lit assure à l'utilisateur un excellent confort et à l'aide soignant, des conditions optimales pour une position de travail correcte du point de vue ergonomique.

Dans le but d'améliorer le confort des patients, *Invacare* EC-Hong A/S recommande l'utilisation d'un matelas de 12 cm d'épaisseur.

I. Informations générales



Le lit *ScanBed 750*™ remplit toutes les conditions concernant les distances maximales. Cependant, si le lit est utilisé pour le soin de patients de petite taille, il doit être impérativement noté que le patient risque de glisser à travers les ouvertures qui se trouvent entre les barres latérales ou à travers les ouvertures qui se trouvent entre la barre latérale et le support du matelas.



Le lit ne doit pas être utilisé par des patients dont l'âge est inférieur à 12 ans, ou par des patients dont la taille est équivalente ou plus petite à celle d'une personne âgée de 12 ans.



Le lit, en combinaison avec la barre latérale, ne doit pas être utilisé par une personne dont le poids est inférieur à 45 kg ou d'une taille inférieure à 150 cm ; ou encore une personne très agitée (spasmes), ou sauf si:

- une évaluation professionnelle des risques a eu lieu et à été attestée
- un filet de protection convenablement installé sur les barres latérales est utilisée



Quand vous utilisez les barres latérales et le filet de protection, il est essentiel de s'assurer que le réglage soit correct. **Il existe un danger d'occlusion / suffocation entre l'appui de matelas, la barre latérale, l'extrémité du lit!**



Si le lit est employé par des personnes agitées (spasmes) ou confuses, une boîte ACP peut être utilisée pour le blocage des fonctions de commande de main, et/ou une barre de traverse de limitation installée sous la section de jambe du support de matelas.

Cette barre de traverse empêchera la section de jambe d'être abaissé au-dessous du niveau du support de matelas, réduisant de ce fait l'ouverture entre la section de jambe et l'extrémité du lit.



Assurez-vous que le lit soit ajusté sur sa position la plus basse avant de laisser le lit sans surveillance – qui peut entraîner une chute / les accidents d'occlusion sont réduits.



Invacare® n'accepte aucune responsabilité en cas d'utilisation, modification ou montage du produit non conformes aux indications de ce manuel.

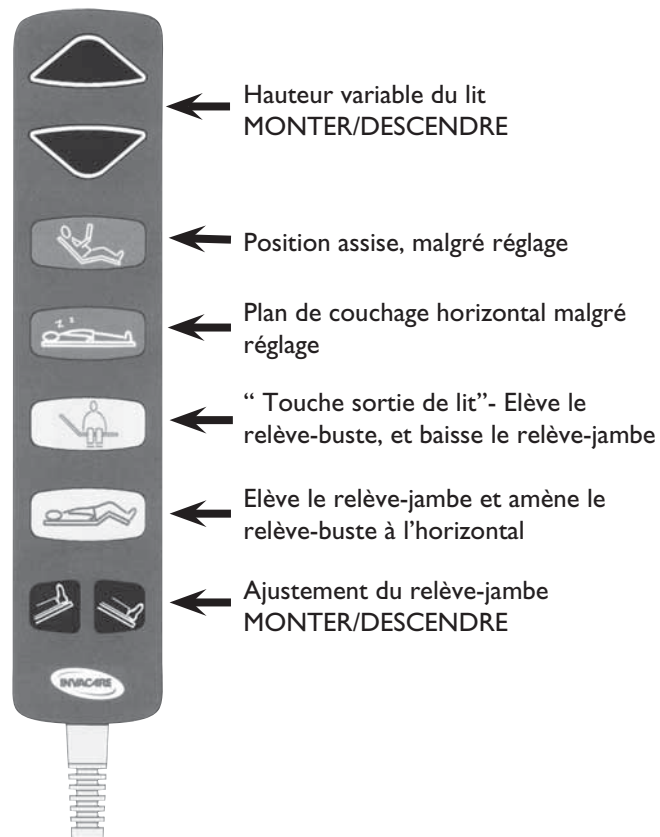


Le lit doit être placé de manière à ce que le réglage en hauteur (haut/bas) ne soit pas entravé par un lève-patient ou du mobilier, par exemple. Dans le cas contraire, il existe un risque de blessures pour l'utilisateur et/ou un risque d'endommagement de l'équipement.

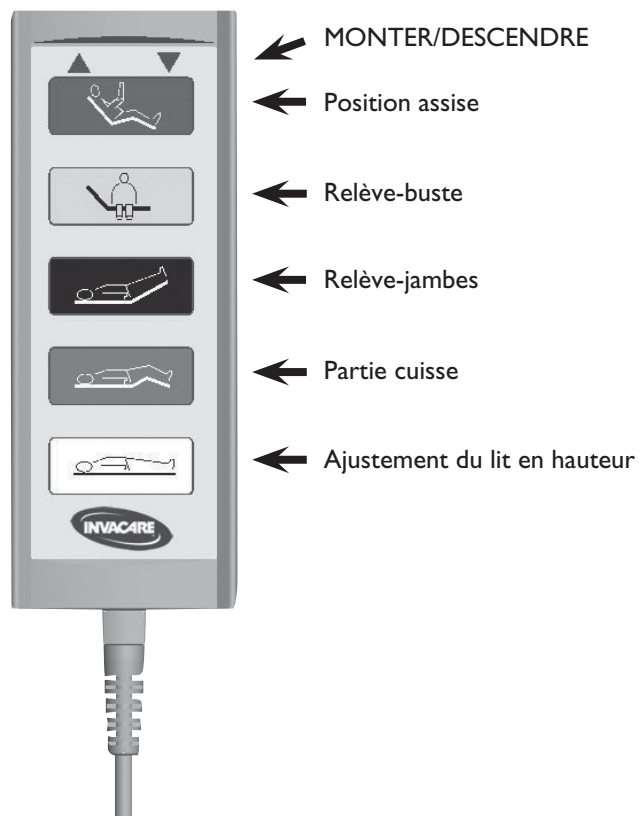
Pour assurer le montage/désassemblage du lit, la hauteur variable devrait être utilisée. De plus, la partie buste peut être utilisée en tant que support (bouton jaune sur la télécommande). Cependant, la partie Jambes doit être horizontale, sinon il existe un risque d'écrasement sous le plan de couchage.

2. Fonctionnement de la télécommande du SB750™

Le lit peut être équipé avec une télécommande Soft Control:

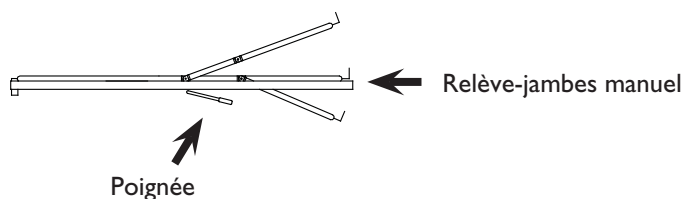


Ou avec une télécommande (HB70):



Utilisation du relève-jambes sur les lits équipés de verin à gaz

Soulevez la poignée d'une main et elevez le relève-jambes de l'autre. Relâchez la poignée.



Utilisation de la partie Jambes manuelle avec crémaillère du lit SB750 en largeur 120 cm

Pour monter la partie Jambes: Lever la partie Jambes à la hauteur souhaitée.

NB: S'assurer que les 2 crémaillères soient correctement verrouillées et au même niveau.

Pour baisser la partie Jambes: Soulever le pied de lit et le baisser doucement, se mettre face au lit.



Pour éviter tout risque d'écrasement en cas d'abaissement accidentel du plan de couchage, laissez **toujours** le lit abaissé au maximum. Toute personne se trouvant sous le lit lors d'un réglage de la hauteur risque d'être gravement blessée.

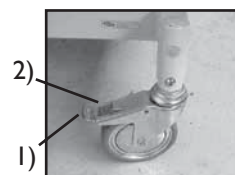
Utilisation des roulettes avec frein

Utilisation des roulettes sans système de freinage centralisé

Quand le lit est correctement positionné, il faut qu'au moins une roulette en tête de lit et une roulette en pied de lit, soient bloquées.

1) **Freinage:** Appuyez sur le frein avec le pied.

2) **Libération du frein:** Appuyez avec le pied sur le levier de déverrouillage.



Utilisation des roulettes avec système de freinage centralisé

Quand le lit est correctement positionné, il doit être bloqué.

1) **Freinage du lit:** Si le frein est en position neutre, appuyez avec le pied sur la pédale rouge.

2) **Libération du frein:** Appuyez avec le pied sur la pédale verte jusqu'à ce que le frein soit en position neutre.



Utilisation de la roulette orientable

Le **SB750** avec système de freinage centralisé peut être équipé d'une roulette orientable. Celle-ci est commandée au moyen de la pédale du système de freinage centralisé.

1) **Activation de la direction:** Si le frein est en position neutre, appuyez avec le pied sur la pédale verte.

2) **Désactivation de la direction:** Appuyez avec le pied sur la pédale rouge jusqu'à ce que le frein soit en position neutre.

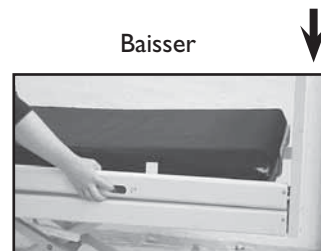
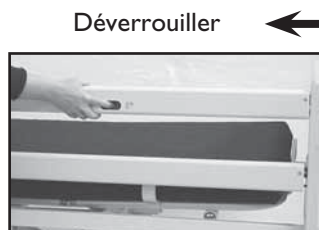
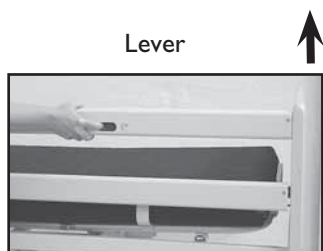
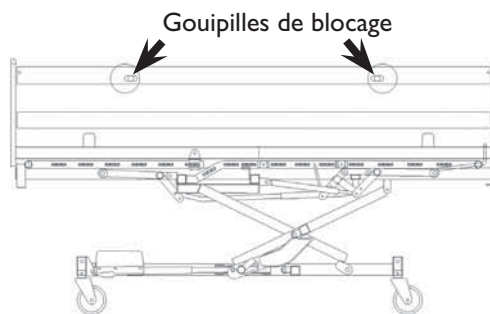
Sur certains types de revêtements de sol absorbants, les roues du lit adhèrent difficilement, notamment sur les sols non traités ou traités incorrectement. En cas de doute, *Invacare*® recommande de placer un revêtement adapté entre les roues et le sol.

Fonctionnement de la barrière en bois BRITT II/III/IV

Le panneau de lit peut être équipé de manière à bloquer la barrière à mi-hauteur ainsi qu'en position haute. Normalement, la barrière ne peut être verrouillée qu'en position haute.

Vers le haut: Tirez la barre supérieure de la barrière en bois vers le haut jusqu'à ce que les goupilles de blocage se verrouillent avec un clic audible.

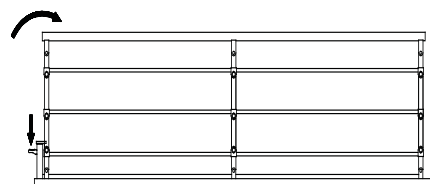
Vers le bas: Tirez la barre supérieure de la barrière en bois et appuyez simultanément sur les deux goupilles de blocage. Abaissez la barrière.



Fonctionnement de la barrière métallique

Vers le haut: Soulevez le tube supérieur de la barrière métallique jusqu'au mécanisme de verrouillage.

Vers le bas: Appuyez sur le bouton de déverrouillage et dégagez le tube supérieur de la barrière métallique du mécanisme de verrouillage.



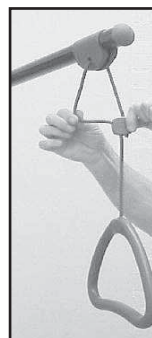
Lors du montage et de l'utilisation des barrières, prenez garde à ne pas vous pincer les doigts. Veuillez vous assurer que le système de verrouillage de la barrière positionné sur le côté s'est enclanché correctement en tirant/poussant le tube supérieur.

Réglage de la hauteur de la potence

Relâchez le cordon comme indiqué à la figure A. Il est maintenant possible de régler la potence à la hauteur désirée. Pressez l'un contre l'autre les brins du cordon comme indiqué à la figure B et contrôlez que le cordon est bien bloqué dans le verrou de cordon en tirant sur la poignée.



Positionnez la potence de manière à la poignée se trouve au-dessus du lit. Si l'on utilise la potence alors que la poignée a été écartée du lit - ce dernier peut basculer.



A



B

Section technique

Invacare® est certifié selon la norme DS/EN ISO 9001 et ISO 13485. Nos clients sont ainsi assurés que les produits fabriqués par *Invacare*® présentent un niveau de qualité uniforme.

Tout au long du processus de production, nos matériels et produits font l'objet de contrôles de qualité effectués par les opérateurs. Une fois assemblé, chaque produit subit un test final.

L'opérateur qui effectue ce test, qui comporte un contrôle de l'ensemble des pièces mobiles, moteurs/vérins à gaz et roulettes, appose sur le produit son propre numéro d'QA pour en confirmer la qualité.

QA XXX

Tout produit non conforme aux critères de qualité de *Invacare*® est mis au rebut. Au cas peu probable où vous rencontreriez un problème avec ce produit, veuillez contacter votre fournisseur *Invacare*®.

3. Information

Merci de lire attentivement les instructions d'utilisation et de montage avant l'utilisation de ce lit. Toutes les indications droite/gauche sont basées sur le fait que le patient soit allongé sur le lit, la tête positionnée sur le relèvement-buste. Il se peut que le présent manuel contienne des options non disponibles sur votre lit.

- Le **SB750** est CE-estampillé conformément à la Directive 93/42/CEE du Conseil, relative aux dispositifs médicaux.
- Le **SB750** a été testé par le Hjælpemiddelinstittet (Centre danois d'aides techniques) conformément à la norme EN 1970.
- La compatibilité électromagnétique du **SB750** a été testée par UL Demko (Danish Electrical Materials Control).
- Le **SB750** a subi une analyse de risque conformément à la norme NF EN 14971.
- Le **SB750** est homologué pour une charge maximum de 220 kg, équipement compris.



Poids max. du patient: 185 kg.

L'unité de contrôle et les moteurs sont protégés conformément aux normes IP 66. Avec une électronique de la classe de protection IP 66, il faut utiliser la came de verrouillage de l'unité de contrôle, faute de quoi *Invacare*® ne fournit aucune garantie de protection.

AFNOR
Association Française de Normalisation
11, rue Francis de Pressensé
93571 La Plaine Saint-Denis Cedex
Tel. : +33 1 41 62 80 00
Fax : +33 1 49 17 90 00



Il peut se produire des interférences électromagnétiques entre le lit et d'autres matériels électriques. Pour les réduire ou les supprimer, augmenter la distance entre le lit et ceux-ci ou enlevez-les de la pièce.

Le lit médical peut-être utilisé conjointement avec des appareils électromédicaux reliés de manière intravasculaire ou intracardiaque sous conditions de respecter les points ci-dessous:

- Le lit doit-être équipé d'un dispositif pour la connexion d'égalisation de potentiel repéré par le symbole figurant à la fin du manuel utilisateur.

- Les appareils électromédicaux ne doivent pas être fixés sur les accessoires métalliques du lit tels que barrières latérales, potence de levage, tige porte sérum, panneaux de tête ou pied de lit.

De plus leur câble d'alimentation ne doit pas interférer avec ces accessoires ou toutes autres parties en mouvement du lit.



Invacare® n'accepte aucune responsabilité en cas d'utilisation, modification ou montage du produit non conformes aux indications de ce manuel.

Si le fonctionnement du lit change, faites immédiatement subir au lit un contrôle conformément au tableau d'entretien, Chapitre II.

4. Réception du **SB750™**



Avant d'utiliser le lit, attendre qu'il ait atteint la température de la pièce pour éviter la condensation 10-50° C.



Contrôlez que le lit ne montre aucun signe d'endommagement. Si le lit est endommagé, voir les conditions de livraison.

Si le lit a été livré démonté, il doit être monté, voir Chapitre 6 "Montage/démontage du **SB750**".

Vérifiez que le raccord entre le plan de couchage et le cadre inférieur est correctement verrouillé (voir l'illustration).

Verrou fermé



Vérifiez que toutes les fiches des moteurs et de la télécommande sont correctement insérées dans l'unité de contrôle conformément aux symboles imprimés.

Verrou ouvert



Les freins du lit doivent être bloqués pendant l'administration de soins à un patient alité.



Déconnectez la fiche de la prise murale avant de déplacer le lit. Pendant le transport, le câble doit être maintenu à l'écart du sol et des roulettes.

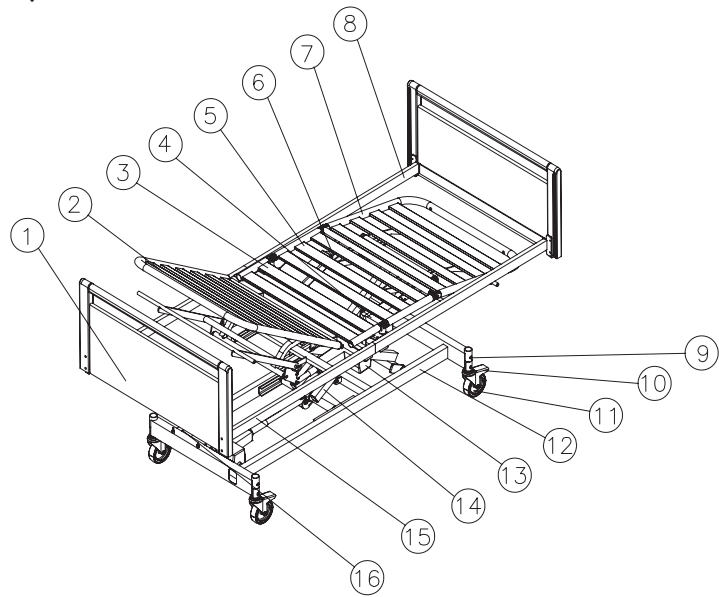
Raccordez le **SB750** au secteur.

Pour une position de travail ergonomique: Placez le lit à mi-hauteur environ. Voir Chapitre 2 "Utilisation du **SB750**".

Montage des accessoires: Panneaux de lit, barrières, potence et roue pare-chocs. Voir Chapitre 5 "Montage des accessoires".

Eléments d'un lit standard

1. Clé Allen
2. Relève-buste
3. Assise
4. Moteur 24 V, relève-jambes/vérin à gaz, relève-jambes
5. Plicature
6. Moteur 24 V, plicature
7. Relève-jambes
8. Cadre supérieur, pied du lit
9. Pédale de frein pour lits avec système de freinage centralisé
10. Freins pour lits avec roulettes sans système de freinage centralisé
11. Roulette
12. Cadre inférieur
13. Moteur 24 V, relève-buste
14. Bras de ciseaux
15. Cadre supérieur, tête du lit
16. Unité de commande



Accessoires

- Batterie
- Raccords
- Panneau de lit
- Barrière en bois
- Barrière métallique
- Vis à ailettes
- Potence
- Roue pare-chocs

Débloquer d'urgence du plan de couchage

Il est nécessaire de procéder à un déblocage d'urgence du plan de couchage en cas par exemple de panne d'alimentation ou de panne du moteur. Il n'est PAS possible d'effectuer un déblocage d'urgence du système de réglage en hauteur!

- Débranchez la fiche de la prise murale avant de procéder au déblocage d'urgence du plan de couchage.
- En cas d'urgence, les différentes sections du plan de couchage peuvent être débloquentées en retirant la goupille cylindrique du moteur/vérin à gaz correspondant.

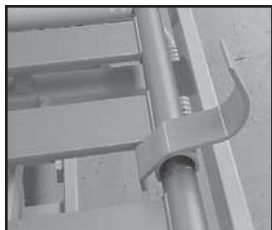


Deux personnes au minimum sont nécessaires pour débloquenter un élément du plan de couchage. Les deux personnes doivent maintenir l'élément du plan de couchage en position verrouillée. L'une d'entre elles doit ensuite retirer la goupille cylindrique. Toutes deux doivent alors abaisser lentement l'élément du plan de couchage jusqu'à sa position la plus basse.

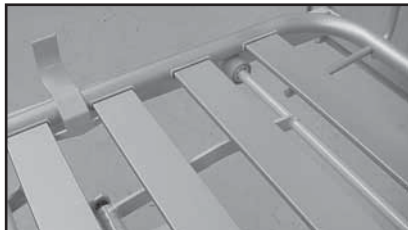
5. Montage des accessoires

Les outils nécessaires pour monter/démonter les accessoires du **SB750** sont une clé Allen et une clé à molette. La clé Allen est rangée sur le côté intérieur de la barre transversale située à la tête du lit. La clé Allen s'utilise pour le montage/démontage de tous les raccords.

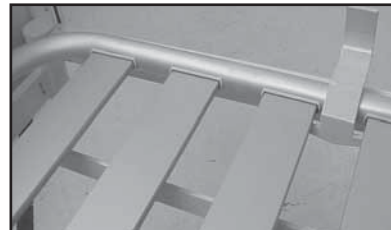
Montage de la poignée du plan de couchage



La poignée du plan de couchage est insérée dans le cadre du plan de couchage.



A placer entre la troisième et la quatrième latte du dossier.

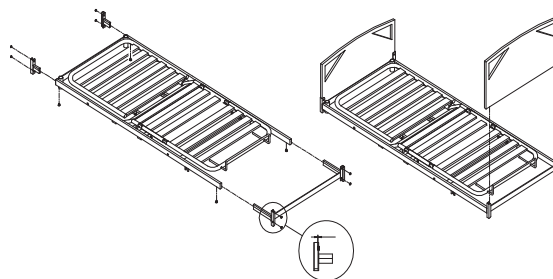


A placer entre la troisième et la quatrième latte du relève-jambes.

Montage des raccords

(Si les raccords n'ont pas été montés en usine)

1. Montez les 2 petits raccords à la tête du lit et Verrou fermé serrez-les à l'aide de la clé Allen.
2. Montez les grands raccords et le raccord soudé au pied du lit et serrez-les à l'aide de la clé Allen.



Montage du panneau de lit KARIN III

Fixez le panneau au raccord à l'aide des boulons et serrez-les à l'aide de la clé Allen.

Montage du panneau de lit SANNE III

Placez les encoches des raccords des deux côtés du panneau sur les ergots du raccord et appuyez vers le bas. Le verrouillage se fait automatiquement. Contrôlez que le panneau est bien verrouillé.



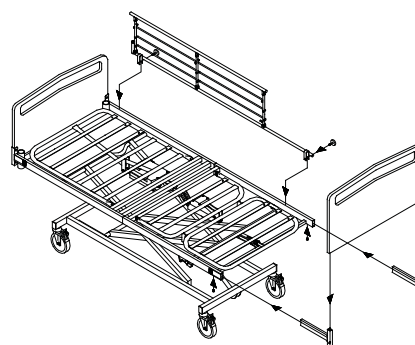
Démontage du panneau de lit SANNE III

Retirez la goupille de blocage et faites-la tourner d'un demi-tour. Répétez l'opération à l'autre extrémité. Tirez le panneau de lit vers le haut pour le dégager.

Montage/démontage de la barrière métallique

Montage/Démontage des barrières: Merci de se référer à la notice. Serrez la barrière à l'aide des deux vis à ailettes.

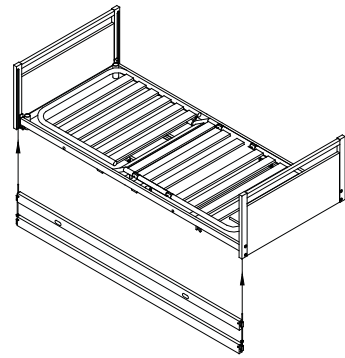
Démontage: Dévissez les vis à ailettes et enlevez la barrière.



Montage de la barrière latérale BRITT II/III/IV

1. Elever le lit au 1/3.
2. Oter la bande de protection des verrous aux extrémités de la barrière latérale.
3. Monter une extrémité à la fois. Maintenir la barre transversale en bois inférieure et guider l'arceau métallique dans la glissière de l'extrémité du lit (A).
4. Appuyer à l'aide d'un doigt sur le verrou de la barrière (B).
5. Pousser la barrière latérale au-delà du support à ressort. Ce dernier est libéré et empêche la barrière de retomber.

Répéter les points 3 à 5 lors du montage de l'autre extrémité de la barrière.



Démontage de la barrière latérale en bois BRITT II/III/IV

1. Baisser le lit au 1/3. Baisser la barrière latérale.
2. Démontez une extrémité à la fois. Abaisser la barre transversale en bois de manière à ce que le support à ressort soit visible.
3. Appuyer sur le support à ressort pour le faire descendre à l'aide d'une clé ou d'un tournevis (C).
4. Soutenir la barre transversale inférieure. Faire descendre la barrière jusqu'à ce que l'arceau métallique soit entièrement dégagé de la glissière de l'extrémité du lit.

Répéter les points 2 à 4 lors du démontage de l'autre extrémité de la barrière.

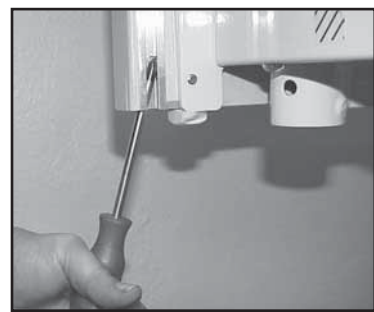
A



B



C



Montage de la potence

Enlevez le bouchon en plastique du tube dans lequel la potence doit être montée.

Montez la potence - UTILISEZ la vis à ailettes.

Tube de la potence avec bouchon en plastique

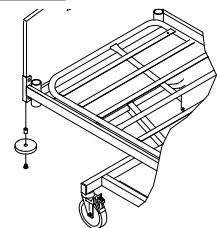
Vis à ailettes



Montage de la roue pare-chocs

Installez la douille dans la roue pare-chocs - et serrez à l'aide d'une vis sous le raccord.

Les roues pare-chocs ne peuvent pas être montées sur les panneaux de lit SANNE.



Montage de la barre transversale de limitation sous le relève-jambe

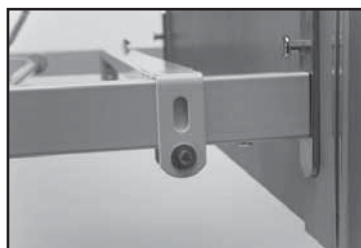
Si le lit est employé par des personnes agitées (spasmes) ou confuses, une barre de traverse de limitation peut être installée sous la section de jambe du support de matelas.

Cette barre de traverse empêchera la section de jambe d'être abaissée au-dessous du niveau du support de matelas, réduisant de ce fait l'ouverture entre la section de jambe et l'extrémité du lit.

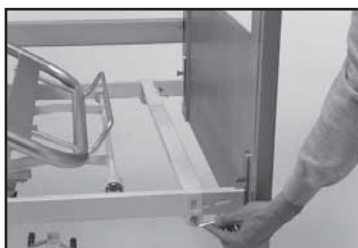


Soulever les relève-jambe du plan de couchage et monter la barre transversale. Serrer les 2 vis.

Placer ici la barre transversale de limitation



Serrer les vis



La barre transversale de limitation est ainsi correctement montée



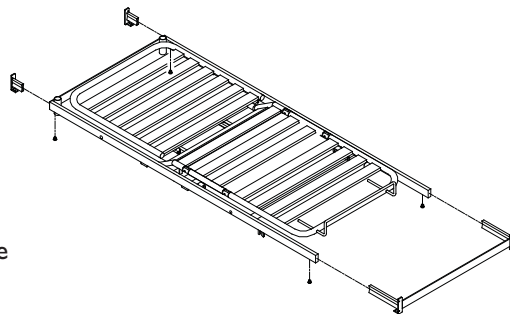
Utilisation de la rallonge intégrée du plan de couchage



Attention! Afin d'éviter tout risque de strangulation, il est obligatoire de rallonger plan de couchage et panneau de lit dans le même temps.

La rallonge se monte à l'aide de la clé Allen. Cette dernière est rangée sur le côté intérieur de la barre transversale située à la tête du lit.

1. Démontez les barrières en bois (cf. chapitre 5).
2. A l'aide de la clé Allen, desserrez les 2 vis de fixation du raccord situées sous le tube latéral.
3. Tirez le raccord de 16 cm, remplacez les 2 vis et resserrez-les.
4. Desserrez les 2 vis situées sous la poignée de support du relève jambes, relevez complètement la poignée puis resserrez les 2 vis.
5. Mettez en place la rallonge du plan de couchage.



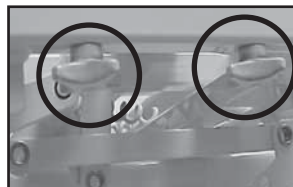
6. Montage/démontage du SB750™ Démontage

1. Contrôlez que les freins des roulettes sont serrés.
2. Démontez tous les accessoires.
3. Relevez le lit jusqu'à la hauteur marquée, de manière que les cames du guide du cadre inférieur et les bras de ciseaux soient face les uns aux autres.
4. Déconnectez l'alimentation.
5. Démontez la came de verrouillage de l'unité de contrôle.
6. Débranchez les fiches des moteurs du relève-buste, de la plicature et du relève-jambes et contrôlez que les câbles ne soient pas coincés dans le cadre inférieur.
7. Enlevez les 2x2 vis à ailettes des tubes latéraux.
8. Tirez la partie antérieure (tête du lit) du cadre supérieur hors des montants des tubes latéraux jusqu'à l'arrêt et abaissez-la jusqu'au sol.
9. Libérez les 2 ferrures de verrouillage/verrouillages à ressort de la partie postérieure (pied du lit) en retirant la goupille d'arrêt et en la faisant tourner vers la droite.
10. Abaissez la partie postérieure du cadre supérieur et soulevez-la pour la retirer du cadre inférieur. Enlevez du cadre inférieur la partie antérieure du cadre supérieur.
11. Rebranchez l'alimentation du cadre inférieur et abaissez-le.

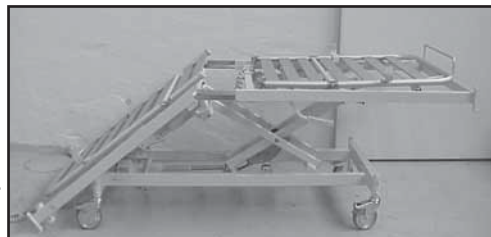
3.



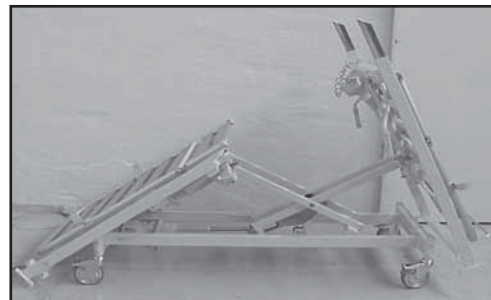
7.



8.



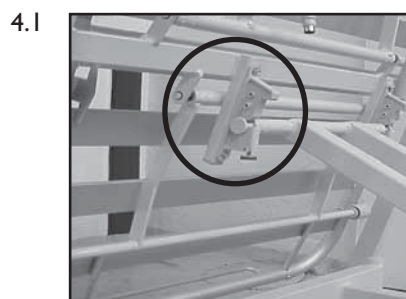
10.



Montage

1. Contrôlez que les freins des roulettes sont serrés.
2. Raccordez le cadre inférieur au secteur.
3. Relevez le lit jusqu'à la hauteur marquée (voir l'illustration 3, page 15), de manière que les cames du guide du cadre inférieur et les bras de ciseaux soient face les uns aux autres.

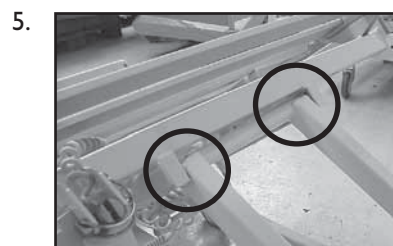
4. Soulevez l'extrémité postérieure (pied) du cadre supérieur de manière que les 2 ferrures de verrouillage ver à ressort se verrouillent sur les goupilles des bras de ciseaux (4.1).



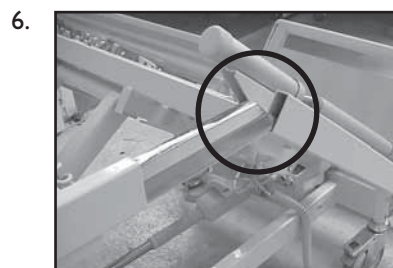
Vérifiez que la goupille de verrouillages soit bien encliquetée et verrouillée (4.2).
Placez ensuite l'extrémité postérieure (pied) du cadre supérieur en position horizontale.



5. Placez la partie antérieure (tête) du cadre supérieur devant le cadre inférieur et abaissez-la de manière à faire glisser les coulisseaux en plastique dans la glissière.



6. Soulevez la partie postérieure du cadre supérieur et poussez-la dans les montants jusqu'à l'arrêt.



7. Vissez les 2x2 vis à ailettes des tubes latéraux.



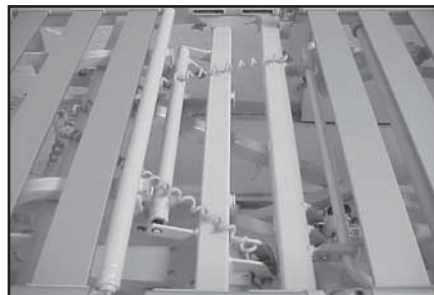
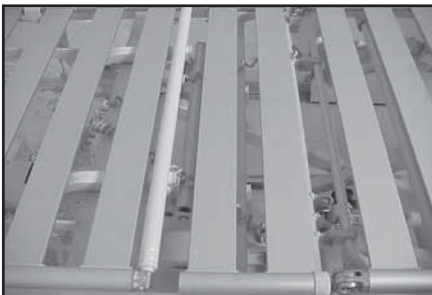
8. Insérez les fiches des moteurs du relève-buste, partie-cuisses et relève-jambes dans l'unité de commande, voir chapitre 7. Câblage.

9. Montez les accessoires.

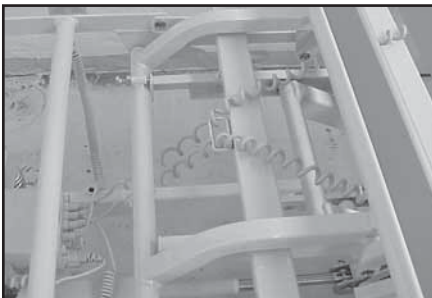
7. Câblage



Les câbles sortent du moteur et remontent vers le vérin.



Guider les câbles sous les lattes.

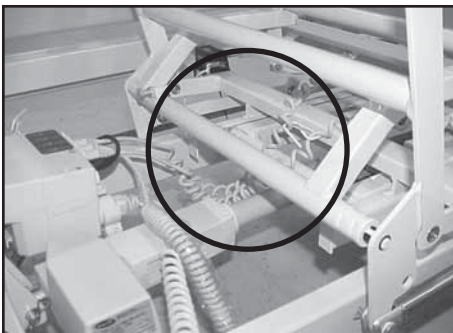


Faire passer les câbles sur le support de câble puis vers l'unité de contrôle.

Ces photos présentent un lit avec 2 moteurs pour le plan de couchage.

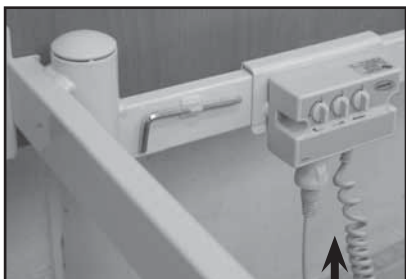
Contrôler le câblage en actionnant les moteurs du lit dans ses positions maximales.

Une fois que tous les câbles ont été correctement montés, il n'y a pas de risque de coincement des câbles.



Il est normal que les câbles se détendent légèrement après usage.

Condamnation des commandes



Les fonctions de la télécommande peuvent être condamnées par une ACP box localisée en tête de lit.
Vérifier que la télécommande est désactivée en actionnant les boutons.



Ouvert



Verrouillé



**Déconnexion du
verrouillage de
sécurité**

Changement de la télécommande connectée au boîtier de condamnation

La bague blanche du boîtier est désenclenchée, la télécommande peut être débranchée.

8. Références des accessoires

Article	Dimensions	Référence
PANNEAU DE LIT EN BOIS		
SANNE III (hêtre).....	85 cm	020429.01
SANNE III (hêtre).....	90 cm	020740.01
SANNE III (hêtre).....	105 cm	021953.01
SANNE III (hêtre).....	120 cm	021954.01
SANNE III (cerisier / hêtre).....	90 cm	021956.07
SANNE III, haut (hêtre) *)	85 cm	1451258-0101
SANNE III, haut (hêtre) *)	90 cm	1451257-0101
SANNE III, haut (hêtre) *)	105 cm	1484403-0101
SANNE III, haut (hêtre) *)	120 cm	1484404-0101
*) A utiliser avec la barrière en bois LILLI III		
FLEX III (hêtre).....	85 cm	020417.01
FLEX III (hêtre).....	90 cm	020737.01
D'autres panneaux , autres que mentionnés ci-dessus, sont disponibles. Pour plus d'informations, merci de contacter directement <i>Invacare</i> ®		
Barrière en bois BRITT IV (hauteur: + 2.5 cm, hêtre)		1427875-0101
Barrière en bois BRITT IV (hauteur: + 2.5 cm, merisier)		1427875-0102
Barrière en bois BRITT IV (hauteur: + 2.5 cm, hêtre clair).....		1427875-0105
Barrière en bois BRITT III (hêtre)		020434.01
Barrière en bois BRITT III, court (hêtre).....		021342.01
Barrière en bois BRITT III (cerisier).....		020434.02
Barrière en bois BRITT III, court (hêtre clair).....		021342.05
Barrière en bois BRITT III (hêtre clair)		020434.05
Barrière en bois BRITT II, étendu (hêtre).....		019372.01
Barrière en bois BRITT II, étendu (merisier).....		019372.02
Barrière en bois BRITT II, étendu (hêtre clair)		019372.05
Barrière en bois LILLI III (hêtre).....		1433812-0101
Barrière en bois LILLI III (merisier)		1433812-0102
Barrière en bois LILLI III, étendu (hêtre).....		1434044-0101
Rails pour l'extension du plan de couchage.....		017639.D0
POIGNÉE DE SOUTIEN		
Poignée d'appui.....	25x30 cm	021964.D0
Poignée d'appui.....	40x50 cm	021963.D0
Poignée d'appui.....	25x80 cm	1417510-1015
Poignée d'appui.....	40x30 cm	1417511-1015
Poignée d'appui.....	40x95 cm	1417512-1015
POTENCE		
Potence.....		50.57600.D0
BARRE TRANSVERSALE DE LIMITATION		
Barre transversale de limitation (empêche le relève-jambes de s'abaisser en dessous du niveau supérieur du cadre du lit).....		1510820-1015

Article	Dimensions	Référence
COMPTE-GOUTTES		
Porte-Sérum		50.60030.D0
Support compte-gouttes (à monter dans le tube de potence)		50.60910.00
ROUES PARE-CHOCS		
Roues pare-chocs (une)75 mm	50.59600.00
Roues pare-chocs (une)	100 mm	50.59610.00
Roues pare-chocs (une)	150 mm	50.59640.00
Roues pare-chocs (une, directionnel)	100 mm	50.59630.D0
PROTECTION POUR BARRIERES		
Protection Scala pour barrière bois Britt III, IV et Lilli III		1449412
Protection Scala pour barrière bois Britt III, courte		1449411
Protection Scala pour barrière bois Britt II et Lilli III, longue		1493565
Protection Scala en filet nylon pour barrière bois Britt III et IV		1449413
Protection Scala en filet nylon pour barrière bois Britt III et IV, longue		1449415
Protection Scala pour barrière metal epoxy, basique		1449423
Protection Scala pour barrière metal epoxy, agrandie		1449419
Protection Scala pour barrière metal epoxy, longue		1449421
Protection pour barrière bois Britt III, IV et Lilli III		1511890
Protection pour barrière bois Britt III, courte		1513592
Protection pour barrière bois Britt II et Lilli III, longue		1511892

9. Entretien et vérifications

L'entretien et la maintenance du **SB750** ne peuvent être effectués que par un personnel ayant reçu les instructions ou la formation nécessaires.

En conditions normales d'utilisation, l'entretien doit être effectué selon le tableau de maintenance tous les deux ans.

Quand le lit est déplacé, veuillez vous reporter au tableau de maintenance.

Quand le lit est utilisé avec des panneaux Karin, il faudra nécessairement resserrer les vis à l'aide d'une clé Allen.

Les galets de la clavette doivent être graissés après 4 années d'utilisation normale, voir points 4 et 5 du tableau de graissage.



Note! Le cadre supérieur doit être soutenu pendant les contrôles d'entretien de manière qu'il ne puisse s'abaisser accidentellement.

Nous recommandons de faire un contrôle des parties électriques chaque année.

Moteurs, télécommande et unité de contrôle

L'entretien de ces équipements consiste à remplacer les éléments défectueux.

10. Lits équipés d'accumulateurs de sécurité

Les lits avec accumulateurs de sécurité sont équipés d'un boîtier supplémentaire à côté de l'unité de commande.

Maintenance préventive

Les accumulateurs doivent être remplacés après 4 ans. Il se peut qu'ils doivent être remplacés plus rapidement, en fonction de la manière dont ils sont utilisés.

Des décharges fréquentes et subites réduisent la longévité de l'accumulateur.

Nous recommandons de tester les accumulateurs au moins une fois par an.

Les accumulateurs ne sont pas endommagés par un raccordement permanent au secteur.



Remplacement des accumulateurs

Les accumulateurs doivent être changés comme le boîtier et remplacés en même temps que tous les accumulateurs de même type ou compatible électriquement.

Les accumulateurs sont livrés par paire, code: 818323 (12V -1.2Ah)

Les accumulateurs doivent être neufs et rechargés au moins tous les 6 mois aux fins de maintenance. Tous les accumulateurs d'un même jeu doivent avoir des codes de production identiques.

Avant d'insérer les accumulateurs, vérifiez que le jeu d'accumulateurs est correctement connecté, voir le schéma (dans le boîtier des accumulateurs) et que toutes les connexions sont bien fixées.

Attention

Des accumulateurs vieux ou défectueux peuvent générer un mélange gazeux explosif lors de leur chargement.

Le boîtier des accumulateurs est équipé d'évents pour assurer une bonne ventilation du boîtier. Les événements ne peuvent être ni bouchés ni recouverts car il peut en résulter une accumulation de pression, avec risque d'explosion.

Élimination des déchets

Les vieux accumulateurs peuvent être renvoyés à *Invacare*® ou être éliminés de la même manière que les batteries de véhicules.

II. Tableau d'entretien

<p>L'entretien et la maintenance du SB750 ne peuvent être effectués que par un personnel ayant reçu les instructions ou la formation nécessaires</p> <p>Numéro de série (situé sur le plan de couchage): _____</p>					
Date:	Initiales:				
Circlips, goupilles cylindriques, bague de fixation en plastique contrôlés.					
Vis resserrées soudures vérifiées.					
Verrouillage et mécanisme des barrières testés.					
Raccords des roulettes resserrés.					
Freins des roulettes contrôlés.					
Moteur de réglage de la hauteur vérifié.					
Moteur du relève-buste contrôlé.					
Moteur de la plicature contrôlé.					
Vérin à gaz/moteur du relève-jambes contrôlé.					
Câbles d'alimentation correctement suspendus et en bon état. Fiches en bon état.					
Peinture abimée réparée.					
Graissage effectué selon le tableau de graissage. Les barrières ne doivent pas être lubrifiées. NB! La glissière des barrières bois ne doit pas être lubrifié avec de l'huile - sinon elles se déplaceront plus lentement.					
Accessoires contrôlés.					

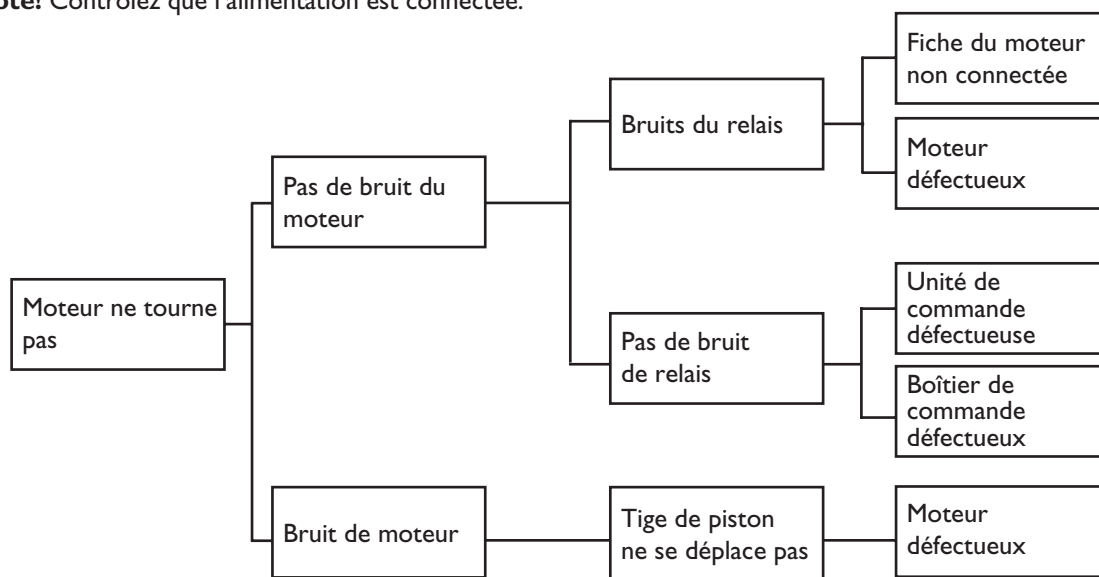
Un contrat d'entretien peut être obtenu dans les pays où *Invacare*[®] a sa propre organisation de ventes.

Dans certains pays *Invacare*[®] propose des cours d'entretien et de maintenance du **SB750**.

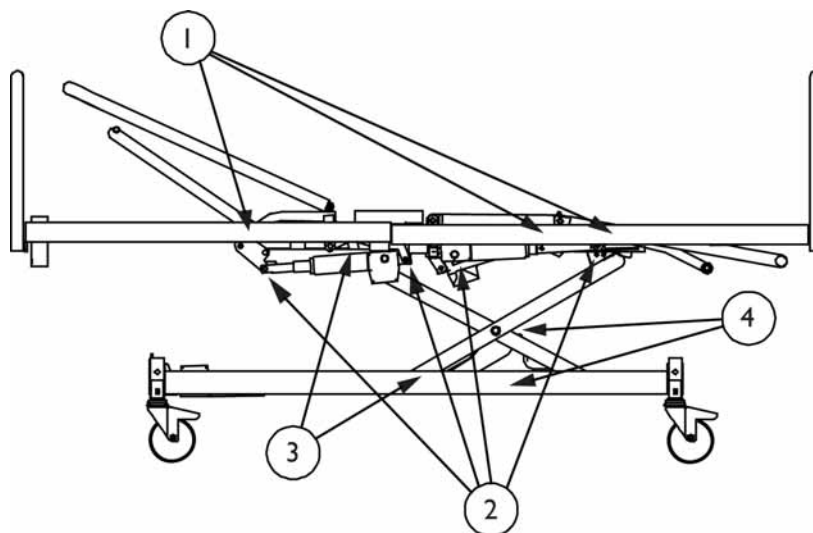
La liste des pièces détachées et des manuels utilisateurs supplémentaires peuvent être obtenus auprès de *Invacare*[®].

12. Dépannage du système électrique

Note! Contrôlez que l'alimentation est connectée.



13. Tableau de graissage



Nous recommandons d'effectuer le graissage du **SB750** conformément aux instructions ci-dessous:

1. Paliers des dispositifs de levage - lubrifier à l'huile
2. Paliers des moteurs/vérins à gaz - lubrifier à l'huile
3. Coulisseaux et glissières - lubrifier à la graisse
4. Axe et galets du ciseau - lubrifier à l'huile/graisse

Utilisez une huile et une graisse de qualité médicale, par ex. KEW-WO 50, huile, référence: 813239 et graisse, référence: 1497607.

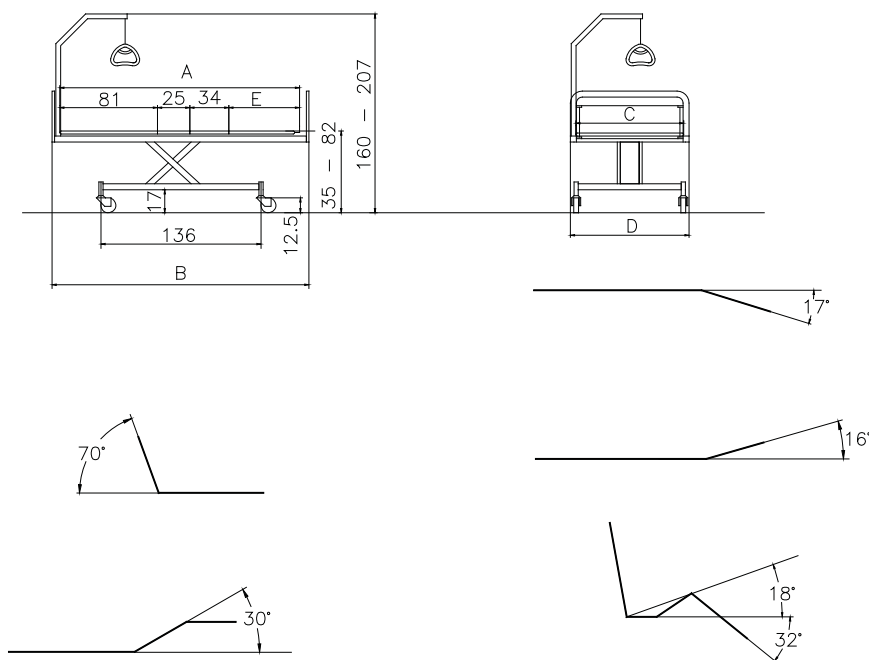
14. Nettoyage

Le **SB750** ne doit pas être nettoyé en installation de lavage automatique ni à l'aide d'équipements de nettoyage au jet. Utilisez des détergents ordinaires pour la désinfection. Séchez le lit après lavage. Déconnectez l'alimentation électrique en retirant la prise de courant de la prise murale avant de procéder au nettoyage du lit. N'utilisez jamais d'acides, de produits alcalins ni de solvants.

Pour faciliter le nettoyage et permettre l'accès à l'unité de contrôle, il est possible d'abaisser le relève-buste ainsi que la plicature et le relève-jambes sur le plan de couchage.

Détails importants pour le nettoyage de la télécommande, de l'unité de contrôle et des moteurs IP 66: Nettoyez toujours à l'aide d'une brosse et d'eau. Il est possible d'utiliser de l'eau sous pression, mais n'aspergez jamais l'équipement directement à l'aide d'un jet à haute pression ou de vapeur.

15. Spécifications techniques



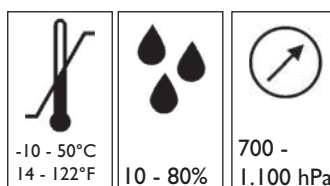
Toutes les dimensions sont indiquées en cm. Tous les angles sont indiqués en degrés. Tous les angles et dimensions sont indiqués sans tolérances.

Invacare® se réserve le droit de modifier les dimensions et angles sans préavis.

WxL	A	B	C	D	E
85x200	200	213	85	95	60
90x200	200	213	90	101	60
85x183	183	196	85	95	43
90x183	183	196	90	101	43
105x200	200	213	105	116	60
120x200	200	213	120	131	60

Conditions de transport et stockage:

- Température comprise entre -10° à 50° C
- Humidité relative: 10 - 80 % RH.
- Pression comprise entre 700 et 1.100 hPa



16. Caractéristiques électriques

Alimentation:	230 V CA/50 Hz.
Intensité de courant max.:	1,5 A.
Fonctionnement discontinu:	10%, max 6 min/h.
Capacité max. des accumulateurs:	1,2 Ah.
Classe de protection:	IP 66.
Débit:	70 VA.
Niveau de bruit:	48 dB (A).

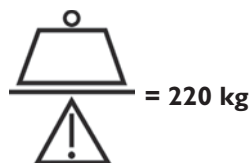
Double isolation (classe II):



Courant alternatif: ~

Courant continu: ==

Charge max. (SWL)
(Patient + matelas + barrière latérale + potence + autres éléments):



Le patient n'est pas isolé de la terre ni du châssis, type B:



Borne d'egalisation des potentiels.



Attention - consulter les documents d'accompagnement



L'unité de contrôle ne possédant pas d'interrupteur, le seul moyen de couper son alimentation consiste à débrancher la fiche du secteur.

La valeur du courant de fuite peut être communiquée sur demande

Le lit n'est pas un matériel antidéflagrant

La durée de vie est de 5 ans

Caractéristiques certifiées:

- Sécurité
- Compatibilité électromagnétique
- Sécurité mécanique
- Aptitude à l'emploi

Référentiel utilisé pour la certification NF 178

17. Poids

Mesures / Poids	85x200 90x200	105x200	120x200
Cadre supérieur, tête du lit, avec plan de couchage	25 kg	34 kg	36 kg
Cadre supérieur, pied du lit, avec plan de couchage	25 kg	36 kg	39 kg
Cadre inférieur	40 kg	40 kg	42 kg
Lit complet, sans accessoires	90 kg	110 kg	117 kg
Panneau de lit (SANNE III/KARIN III)	6 kg/pc	7 kg/pc	8 kg/pc
Barrière en bois (BRITT II/BRITT III)	7 kg/pc	7 kg/pc	7 kg/pc
Barrière en bois (BRITT IV)	8 kg/pc	8 kg/pc	8 kg/pc
Barrière métallique	7 kg/pc	7 kg/pc	7 kg/pc
Potence	6,5 kg	6,5 kg	6,5 kg

18. Traitement des ordures

Ce produit vous a été fourni par *Invacare*[®], un fabricant qui respecte l'environnement. Il est conforme à la directive 2002/96/CE sur la gestion des déchets d'équipements électriques et électroniques (DEEE).

Ce produit peut contenir des substances qui pourraient être nocives à l'environnement si elles sont déposées dans des endroits inappropriés (remblais par exemple) et non conformes à la législation en vigueur.

Le symbole «poubelle barrée» est apposé sur ce produit pour vous encourager à le recycler dans les structures de collecte sélective (veuillez contacter votre Mairie).

Soyez écologiquement responsable et recyclez ce produit à la fin de sa durée de vie.

Pour la destruction du lit en fin de vie, veuillez suivre les lois en vigueur.



Tabla de contenidos

Parte del usuario	6
1. Generalità	6
2. Come utilizzare il letto SB750™	7
Parte técnica	10
3. Informazioni	10
4. Al ricevimento di SB750™	11
5. Come montare gli accessory	13
6. Come smontare/rimontare il letto SB750™	15
7. Cablaggio	17
8. Numeri d'ordine per gli accessori	19
9. Manutenzione e controlli	21
10. Letti dotati di batteria di riserva	21
11. Scheda interventi manutentivi	22
12. Ricerca guasti sull'impianto elettrico	23
13. Programma lubrificazione	23
14. Pulizia	24
15. Specifiche tecniche	24
16. Dati elettrici	25
17. Peso	26
18. Smaltimento rifiuti	26

Información usuario

Ha elegido la cama *Invacare*® EC-Høng **SB750**TM Gracias por su confianza.

- La cama ha sido diseñada para usuarios de más de 12 años, en particular para uso hospitalario o doméstico.
- La cama combina una excelente estabilidad y diseño ergonómico que permite un fácil montaje y desmontaje.
- El plano incorporador de espalda con desplazamiento proporciona al usuario un confort excelente y una posición ergonómica ideal a la persona que asiste al usuario.

Para optimizar el confort del paciente *Invacare*® recomienda el uso de un colchón de unos 12-cm de espesor.

I. Información general



La cama **SB750**TM cumple con todos los requerimientos en lo referente a distancias máximas; sin embargo, si la cama es utilizada para cuidar pacientes de reducidas dimensiones, se debe considerar que existe riesgo, para el paciente, de deslizarse a través de las barandillas o las aberturas entre las barandillas y el somier.



La cama no debe ser utilizada por pacientes menores a 12 años, o por pacientes con el cuerpo de dimensiones inferiores a un niño promedio de 12 años.



La versión de la cama con barandillas, no debe ser utilizada por personas con un peso menor de 45kg o de una estatura menor a 150cm, o por personas que tienen espasmos o un estado mental confuso, a menos que:

- una aceptación profesional de riesgo ha sido tomada en cuenta y aceptada, o,
- se ha instalado correctamente un protector de barandillas.



Cuando se utilicen barandillas y sus respectivos protectores, es esencial asegurarlos correctamente - **caso contrario existe el riesgo de atascos o asfixia entre el somier, la barandilla y el cabecero o piecero.**



Si la cama es utilizada por personas con espasmos o mentalmente confusos, puede utilizarse una caja de control para bloquear las funciones del mando, y/o se puede instalar una barra de seguridad en la última sección del somier. Esta barra evitará que la sección de las piernas baje más allá del nivel del somier, reduciendo la apertura entre la sección de las piernas y piecero.



Confirme que la cama esté ajustada en su posición más baja antes de dejarla sin atención - de ese modo se reducen los accidentes por caída o atascamiento.



Para optimizar el confort del paciente *Invacare*® recomienda el uso de un colchón de unos 12-cm de espesor.



La cama debe colocarse de modo que el ajuste de altura (arriba/abajo) no se vea obstruido por, por ejemplo, elevadores o elementos de mobiliario. De lo contrario, existe riesgo de lesiones para el usuario y daños para el equipo.

Cuando entre o salga de la cama, debe utilizar la regulación de la altura del somier. Además el respaldo podría ser utilizado como soporte (botón amarillo en el mando). Sin embargo, las secciones de las piernas deben estar horizontales, caso contrario, existe el riesgo de sobrecargar el somier.

2. Funcionamiento de la cama SB750™

La cama puede incorporar este tipo de mando (Soft control):

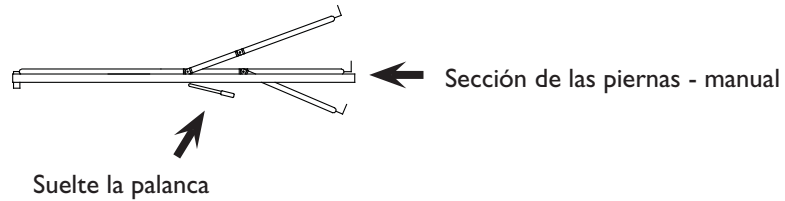


O este otro tipo de mando (HB 70):



Operar la sección de las piernas con el pistón de gas

Levante la palanca con una mano. Mientras levanta el plano hasta la posición deseada con la otra mano. Suelte la palanca.



Operación de la sección de las piernas en la SB750, 120 cm de ancho, con cremallera.

Para elevar la sección de las piernas: Tire de la sección de las piernas hasta la altura deseada.

NOTA: Por favor, verifique que los pasadores de la cremallera estén correctamente colocados y cerrados.

Para bajar la sección de las piernas: Tire ligeramente hacia arriba y luego bájela hasta la posición horizontal.



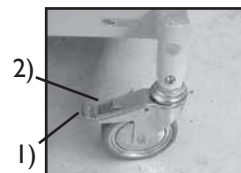
Siempre debe dejar la cama en la altura más baja. De otra manera se corre el peligro de un descenso accidental del somier.
No debe haber nadie debajo la cama durante el ajuste de la altura.

Funcionamiento de las ruedas pivotantes con frenos

Funcionamiento de las ruedas pivotantes sin sistema central de frenos

Cuando la cama está situada correctamente, deben estar bloqueadas, al menos, una rueda pivotante de la cabecera y una rueda pivotante de la piecera.

- 1) **Frenado:** Pisar el freno.
- 2) **Soltar el freno:** Pisar la palanca de desenganche.



Funcionamiento de las ruedas pivotantes con sistema central de frenos

Cuando la cama está situada correctamente debe tener puesto el freno.

- 1) **Frenado de la cama:** Si el freno está en punto muerto, pisar el pedal rojo.
- 2) **Soltar el freno:** Pisar el pedal verde, hasta que el freno esté en punto muerto.



Funcionamiento de las ruedas pivotantes con control de dirección

La **SB750™** con sistema central de frenos puede estar equipada con ruedas pivotantes con control de dirección.

Estas ruedas se accionan mediante el pedal de freno central.

- 1) **Para activar la dirección:** Si el freno está en punto muerto, pisar el pedal verde.
- 2) **Para desactivar la dirección:** Pisar el pedal rojo, hasta que el freno esté en punto muerto.

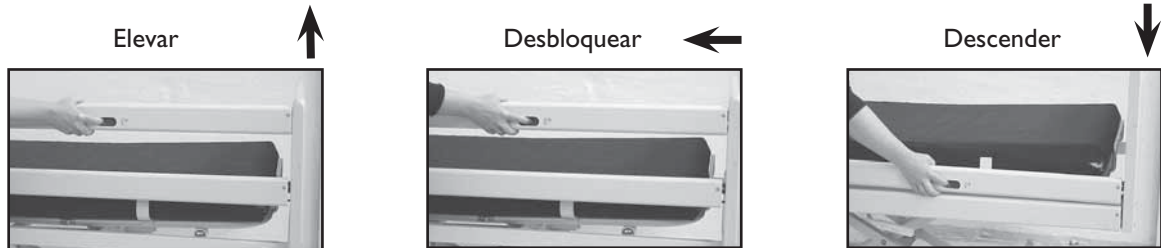
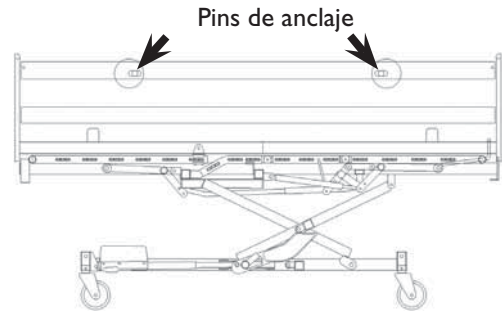
Las ruedas pueden llegar a explotar bajo determinadas condiciones especiales de tipos de suelos- incluyendo suelos no tratados o con un mantenimiento muy deficiente. En caso de duda **Invacare®** recomienda colocar una protección adecuada entre las ruedas y el suelo.

Funcionamiento de las barandas de Madera BRITT II/III/IV

Las barandillas pueden bloquearse tanto a media altura como en posición superior. Habitualmente las barandillas quedan solamente bloqueadas en posición superior.

Arriba: Tire de la barandilla hacia arriba hasta que oiga el click de anclaje.

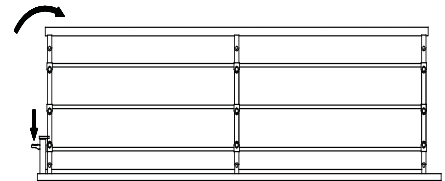
Abajo: Levante la barandilla y presione los dos pins de anclaje al unísono. Haga descender la baranda.



Funcionamiento de las barandas de acero

Arriba: Levante el tubo superior de la barandilla hasta el mecanismo de bloqueo.

Abajo: Pulse el mecanismo de bloqueo y desbloquee el tubo superior de la baranda del mecanismo de bloqueo.



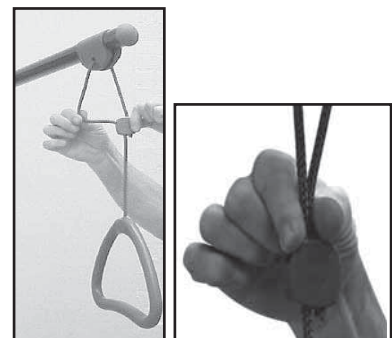
Puede pellizcarse los dedos al montar o manipular las barandillas metálicas. Por favor, confirme que el seguro de las barandillas se ha bloqueado adecuadamente, tirando de la parte superior.

Ajustar la altura del trapecio incorporador

Afloje el cordón tal como se indica en la foto A. El trapecio después puede ajustarse a la altura deseada. Vuelva a montar el cordón como se indica en la foto B y compruebe que el cordón haya entrado correctamente en el anclaje para ello tire del trapecio.



Coloque el trapecio de manera que el triángulo quede encima de la cama. Si el triángulo no queda encima de la cama y es utilizado. La cama podría bascular.



A

B

Información técnica

Invacare® está certificada según la norma DS/EN ISO 9001 y ISO 13485 la cual constituye para nuestros clientes la seguridad de utilizar un producto *Invacare*® de calidad uniforme.

A lo largo del proceso de producción los materiales y productos son objeto de controles de calidad efectuados por los operarios.

Además se ha realizado un test final del producto acabado.

El técnico de producción responsable de la realización del test final, comprueba todas las partes móviles, pistones de gas motor y ruedas y emite un número QA que certifica su calidad.

QA XXX

Si un producto no satisface los criterios de calidad de *Invacare*® EC-Høng A/S, será descartado.

Si detecta cualquier problema relacionado con el producto póngase en contacto con su distribuidor *Invacare*®.

3. Información

Lea atentamente toda la sección técnica antes de utilizar o revisar la cama.

Todas las indicaciones de «derecha» e «izquierda» se refieren a un paciente tendido boca arriba en la cama. Tenga presente que en este Manual del Usuario puede haber secciones que ni se refieren a su cama.

- La cama **SB750™** está CE de acuerdo a la directiva 93/42/EEC que hace referencia a aparatos médicos.
- La cama **SB750™** ha sido testada por el Hjælpemiddelinstittet (Centro Danés de ayudas técnicas) de acuerdo con EN 1970.
- La cama **SB750™** ha sido testada EMC (compatibilidad electromagnética) por UL Demko (Control eléctrico de materiales Danés).
- Se ha realizado un análisis de riesgo de la cama **SB750™** de acuerdo a EN 14971.
- **SB750™** ha sido testada para soportar un peso máx de 220 kg incluyendo equipamiento.

Peso máximo del paciente: 185 kg.

La unidad de control y los motores están protegidos según la norma IP 66. Si un componente electrónico tiene protección IP 66, se **debe** utilizar la leva de bloqueo de la unidad de control, de manera que *Invacare*® EC-Hong A/S no proporcione garantía de protección.



Pueden ocurrir interferencias electromagnéticas entre la cama y otros equipos eléctricos.

Para reducir o eliminar esta interferencia electromagnética, incremente la distancia entre la cama y los equipos o apáguelos.

Esta cama medicalizada puede ser utilizada en conjunto con equipos médicos eléctricos conectados intravascular e intracardialmente, siempre que se cumplan las siguientes condiciones :

- La cama medicalizada se debe equipar de los medios para la conexión equipotencial marcada por el símbolo al reverso de este manual.

- Los equipos médicos eléctricos no deben fijarse en los accesorios metálicos de la cama tales como : barandillas, incorporadotes, porta-sueros, cabeceros y/o pieceros, etc.

Adicionalmente, el cable de conexión eléctrica del equipo médico debe estar alejado de los accesorios o cualquier parte móvil de la cama.



Invacare® no acepta responsabilidad de uso, cambio o montaje del producto diferente a la descrita en este manual del usuario

Si las funciones de la cama cambian la cama debe someterse al mantenimiento que se detalla en el capítulo 11.

4. Recepción de la cama **SB750™**



Debido a la condensación no debe utilizarse la cama hasta que la temperatura de la habitación esté entre los 10-50° C.



Compruebe que la cama no presenta ningún desperfecto. Si la cama está dañada, compruebe las condiciones de entrega.

Si la cama ha sido entregada desmontada debe montarse. Consulte capítulo 6 “Montaje/desmontaje de la cama **SB750™**”.

Compruebe que el somier está correctamente fijado a la base (consulte la foto).

Compruebe que todas las conexiones de los motores y el mando están correctamente conectados a la unidad de control según las indicaciones de los iconos.

**Anclaje
bloqueado**



**Anclaje
desbloqueado**



La cama debe tener los frenos accionados mientras el paciente es atendido en la misma.



Desconecte el enchufe de la red antes de mover la cama. El cable debe permanecer alejado del suelo y las ruedas durante el transporte.

Conecte la cama **SB750™** a la red.

Para una posición de trabajo ergonómica: Coloque la cama a ½ altura.

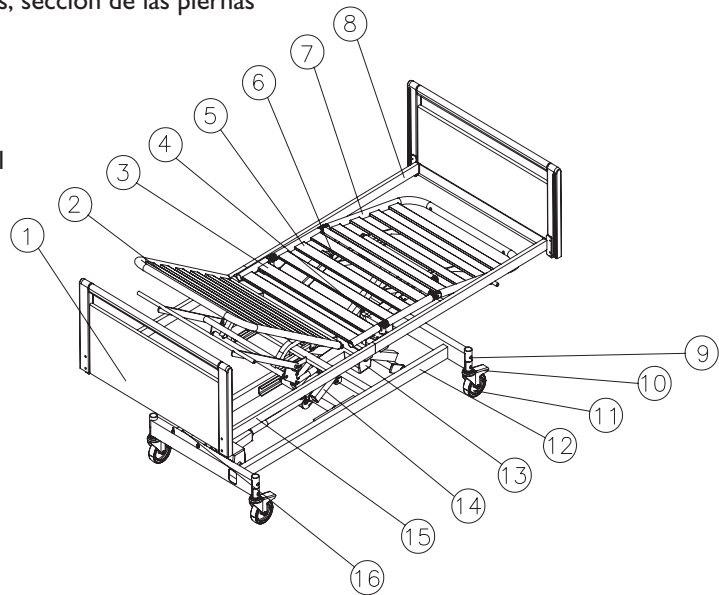
Consulte el capítulo. 2 “Funcionamiento de la cama **SB750™**”.

Monte los accesorios: Cabecero y piecero, barandas, trapecio elevador y ruedas antigolpes.

Consultar capítulo 5 “Montaje de los accesorios”.

Partes de la cama estándar

1. Cabecero
2. Plano respaldo
3. Sección asiento
4. Motor 24 V, sección de las piernas/pistón gas, sección de las piernas
5. Sección de los muslos
6. Motor 24 V, sección de los muslos
7. Sección de las piernas
8. Chasis inferior
9. Pedal de freno para camas con freno central
10. Freno para camas con ruedas sin sistema de freno central
11. Rueda
12. Base
13. Motor 24 V, respaldo
14. Brazos de la base
15. Chasis superior
16. Unidad de control



Accesorios

- Caja batería
- Anclajes
- Picero
- Baranda de madera
- Baranda de acero
- Palomillas
- Trapecio elevador
- Ruedas protectoras

Desbloqueo de emergencia de las partes del chasis

Un desbloqueo de emergencia es necesario en el caso de un fallo en el suministro del motor.

No es posible un desbloqueo de emergencia en el ajuste de la altura!

- Desconecte el enchufe de la red antes de un desbloqueo de emergencia.
- En caso de emergencia las secciones del colchón se desbloquean tirando del pasador del pistón en cuestión.

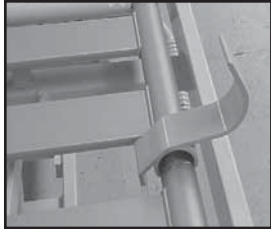


Se precisan un mínimo de 2 personas para desbloquear una sección de la cama. Las dos personas sujetan el somier en posición bloqueada. Una de ellas tira del pasador. Ambas hacen descender lentamente los planos del somier hasta alcanzar su posición más baja.

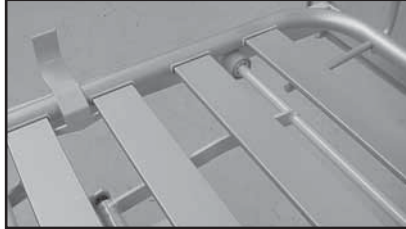
5. Montaje de los accesorios

Las herramientas necesarias para montar/desmontar los accesorios de la cama **SB750™** son una llave Allen y una llave ajustable. La llave Allen se guarda en el interior del tubo del somier en el cabecero. La llave Allen se utiliza para montar/desmontar los accesorios.

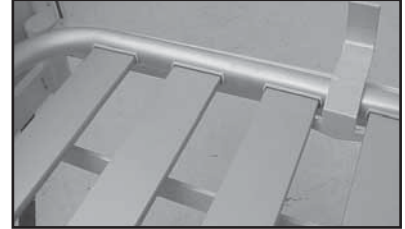
Montaje de los topes del colchón



Fijar en el chasis del somier.



Se coloca entre la tercera y la cuarta lama del respaldo.

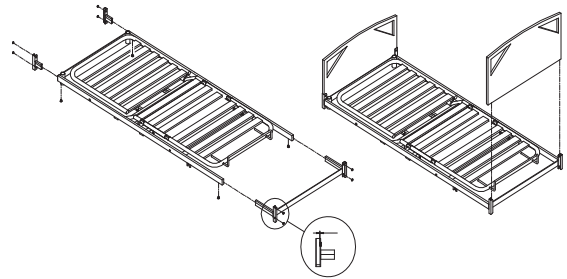


Se coloca entre la tercera y la cuarta lama de la sección de las piernas.

Montaje de los anclajes

(Si los anclajes no vienen montados de fábrica)

1. Monte los 2 anclajes pequeños en el la parte de la cabeza y apriete los mediante la llave Allen.
2. Monte los 2 anclajes grandes en la parte de los pies y apriete los mediante la llave Allen.



Montaje de de los cabeceros y pieceros PIGGY y ODA

Presione el cabecero/piecero contra los perfiles en U.

Montaje de los cabeceros y pieceros FLEX III/KARIN III

Fije los cabeceros y pieceros con los tornillos y apriete los con una llave Allen.

Montaje de los cabeceros y pieceros SANNE III

Situe los orificios encima de los anclajes de ambos lados de la cama. Coloque los pins de anclaje y presione el cabecero/piecero hacia abajo. El bloqueo queda activado.



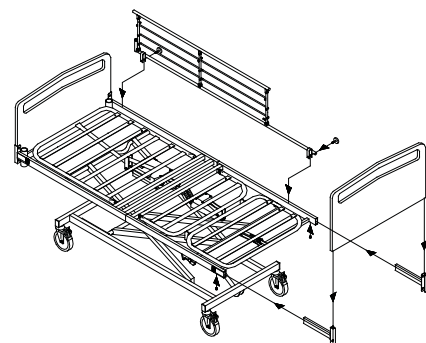
Desmontaje del cabecero y piecero SANNE III

Tire del pin de anclaje hacia fuera, y gírelo media vuelta. Repita para el otro lado. Tire del cabecero piecero hacia arriba y retírelo.

Montaje/desmontaje de las barandas de acero

Para montar las barandas: refiérase por favor a la etiqueta. Apriete la baranda mediante las 2 palomillas.

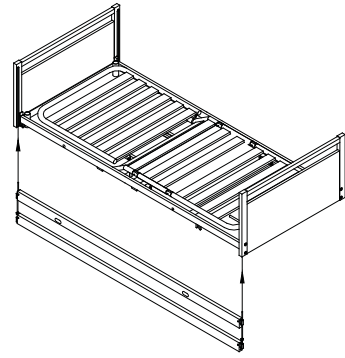
Desmontaje: Afloje las palomillas y retire la baranda de acero.



Montaje de la baranda BRITT II/III/IV

1. Eleve la cama hasta 1/3.
2. Retire la tapa protectora de los pins de anclaje en los cabeceros y pieceros.
3. Monte uno de los lados. Levante la baranda y guíe el arco metálico hacia el rail del cabecero/piecero (A).
4. Presione el pin de anclaje con un dedo (B).
5. Guíe la baranda hacia la cama hasta que el muelle salga e impida que la baranda salga del cabecero/piecero.

Repita los puntos 3 al 5 al montar el otro extremo de la baranda.

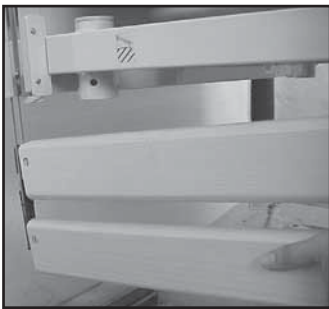


Desmontaje de la baranda BRITT II/III/IV

1. Eleve la cama hasta 1/3. Haga descender la baranda.
2. Desmonte uno de los lados. Levante la baranda de madera hasta que el muelle quede visible.
3. Presione el muelle hacia abajo con una llave o destornillador (C).
4. Sujete la baranda de madera. Haga descender la baranda hasta que el arco metálico quede liberado del cabecero/piecero.

Repita los puntos 2 a 4 para desmontar el otro extremo de la baranda.

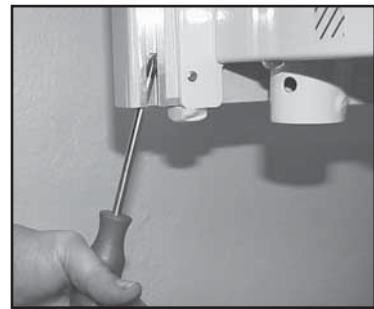
A



B



C



Montaje del trapecio incorporador

Retire el embellecedor de plástico del tubo del chasis donde va fijado el trapecio.

Monte el trapecio incorporador – USE la palomilla

Tubo para fijar el trapecio elevador con embellecedor

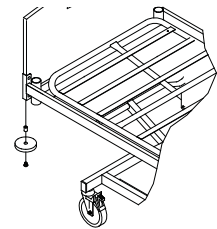
Palomilla



Montaje de Las ruedas protectoras

Monte el cojinete en las rueda protectora – y aprieta con un tornillo.

Las ruedas protectoras no pueden montarse con los cabeceros y pieceros SANNE.



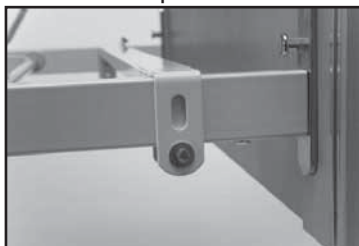
Montaje de la barra debajo de la sección de las piernas



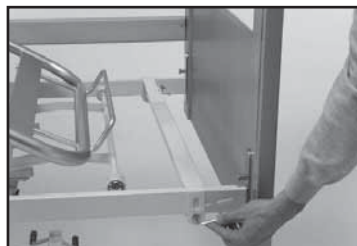
Si la cama es utilizada por personas con espasmos o mentalmente confusos, puede instalar una barra de seguridad en la última sección del somier. Esta barra evitará que la sección de las piernas baje más allá del nivel del somier, reduciendo la apertura entre la sección de las piernas y piecero.

Levante la sección de las piernas de la base del colchón, monte la barra de limitación. Ajuste los dos tornillos.

La barra de limitación está ubicada aquí



Los tornillos están ajustados



Barra de limitación correctamente montada



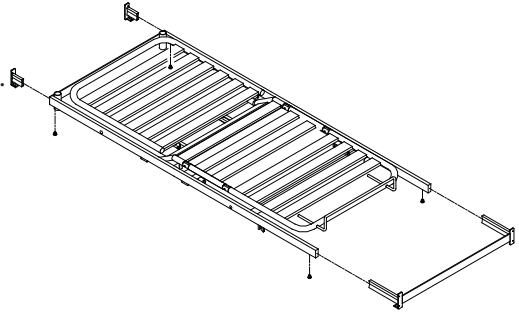
Uso del prolongador de somier



¡Advertencia! Con el fin de evitar el atrapamiento / asfixia, es esencial para evitar que se extienda la cama termina sin extentioning el soporte del colchón en consecuencia.

El prolongador de somier se monta con una llave Allen.
La llave Allen queda guardada en la parte inferior del tubo del cabecero.

1. Desmonte las barandas de madera (consulte capítulo 5).
2. Retire los 2 tornillos que fijan los anclajes debajo del tubo del somier mediante la llave Allen.
3. Tire de los anclajes inferiores de manera que el tubo se deslice hasta 16 cm, vuelva a colocar los 2 tornillos y apriételos.
4. Afloje los 2 tornillos situados debajo del tope del colchón en la sección de piernas, tire del tope hacia arriba y apriete de nuevo los tornillos
5. Vuelva a colocar la pieza que hace de tope para el colchón.

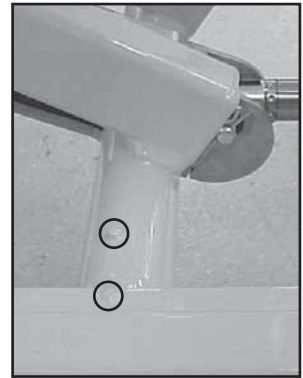


6. Montaje/desmontaje de la cama SB750™

Desmontaje

1. Compruebe que las ruedas tienen los frenos accionados.
2. Desmonte todos los accesorios.
3. Sitúe la cama a la altura indicada de manera que las levas de guía del chasis inferior y Los brazos de las tijeras quedan delante unos de otros.
4. Desconecte el suministro de energía.
5. Retire la leva de anclaje de la unidad de control.
6. Desconecte los conectores del respaldo, muslos y motores del piecero y compruebe que los cables no queden atrapados en la base del chasis.
7. Retire las 2 palomillas de los tubos laterales.
8. Tire del plano de respaldo y retírelo de los montantes de los tubos laterales y hágalo descender hasta el suelo.
9. Afloje los 2 pins de anclaje del piecero tirando de los mismos y haciéndolos girar a la derecha.
10. Haga descender la sección de los pies fuera de la base.
Retire el plano del reposacabeza del chasis de la base.

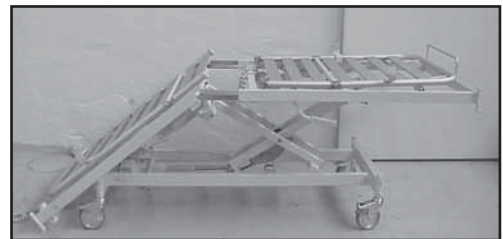
3.



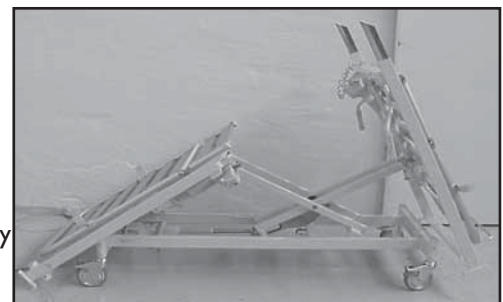
7.



8.



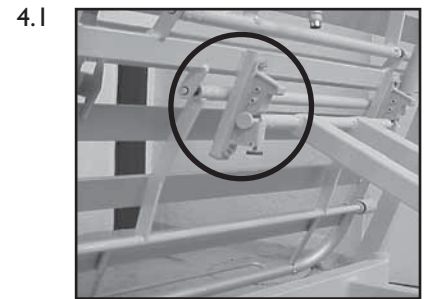
10.



11. Conecte de Nuevo la base del chasis hágalo descender completamente.

Montaje

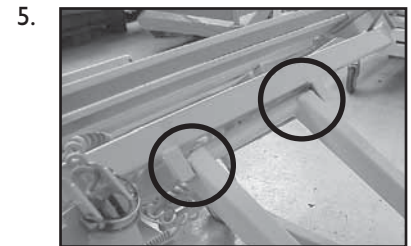
1. Compruebe que las ruedas tienen los frenos accionados.
2. Conecte la base del chasis a la red.
3. Eleve la cama hasta la altura señalada de manera que las levas (ver foto 3 página 15) del rail de la base del chasis y las tijeras de los brazos queden delante unos de otros.
4. Levante el piecero de manera que los 2 pins queden anclados en los brazos de tijera (4.1).



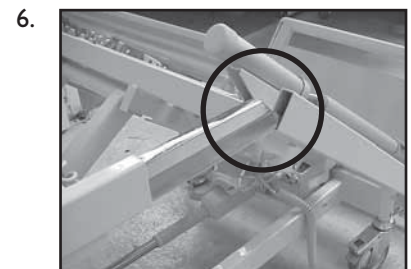
Compruebe que los pins hayan anclado correctamente y están bloqueados (4.2). Después desplace el cabecero y el piecero hasta la posición horizontal.



5. Coloque el cabecero delante de la base del chasis y hágala descender de manera que los rieles de plástico se deslicen en las guías.



6. Levante el cabecero e inserte los tubos en las inserciones hasta el final.



7. Atornille las 2 palomillas de los tubos laterales.

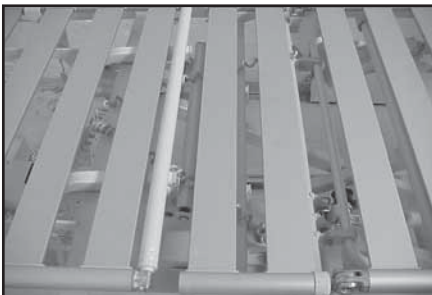


8. Conecte los enchufes del respaldo, muslos y piernas a la unidad de control, ver sección 7 que hace referencia a las conexiones.
9. Monte los accesorios.

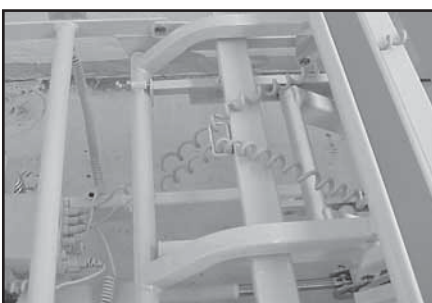
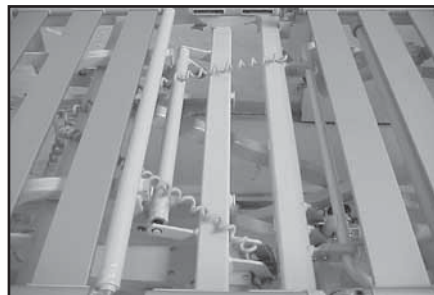
7. Cableado



Los cables salen del motor y van hacia el pistón.



Guíe el cableado por debajo de las lamas.

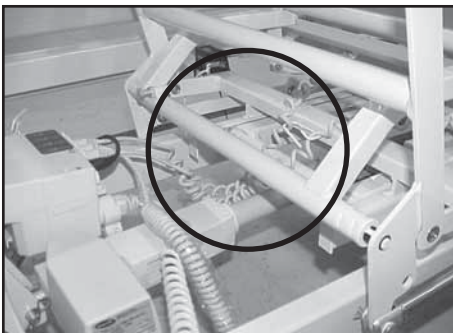


Haga pasar los cables sobre el soporte del cable y después hacia la unidad de control.

Estas fotos muestran un cama con 2 motores.

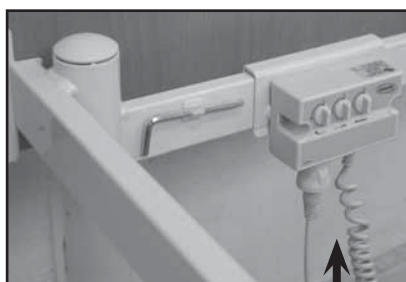
Compruebe el cableado accionando los motores de la cama en sus posiciones máximas.

Cuando todos los cables han sido correctamente montados, no existe riesgo de que queden atrapados.



Es normal que después de un cierto uso los cables se suelten un poco.

Caja de bloqueo ACP (opcional)



El mando de la cama puede bloquearse activando la caja de bloqueo ACP que se encuentra en la cabecera de la cama. Debe comprobarse si la función de bloqueo está activada presionando los pulsadores del mando.



Accionado



Desaccionado



Supresión del bloqueo

Sustitución del mando conectado a la caja de bloqueo ACP

Podrá desconectar el mando una vez suelte la arandela blanca de bloqueo de la caja.

8. Referencias para accesorios

Artículo	Dimensiones	Núm. referencia
CABECEROS/PIECEROS DE MADERA		
SANNE III (haya)	85 cm	020429.01
SANNE III (haya)	90 cm	020740.01
SANNE III (haya)	105 cm	021953.01
SANNE III (haya)	120 cm	021954.01
SANNE III (cerezo / haya)	90 cm	021956.07
SANNE III, prolongado (haya *)	85 cm	1451258-0101
SANNE III, prolongado (haya *)	90 cm	1451257-0101
SANNE III, prolongado (haya *)	105 cm	1484403-0101
SANNE III, prolongado (haya *)	120 cm	1484404-0101
*) Para ser utilizado junto a la baranda de madera LILLI III		
FLEX III (haya)	85 cm	020417.01
FLEX III (haya)	90 cm	020737.01
PIGGY (haya / perfiles en U)	85 cm	020431.01
PIGGY (haya / perfiles en U)	90 cm	018940.01
ODA (haya / perfiles en U)	85 cm	020430.01
ODA (haya / perfiles en U)	90 cm	016609.01
Los cabeceros y pieceros están disponibles en otras versiones de las arriba mencionadas – contacte con <i>Invacare</i> ®		
BARANDAS		
Scala Basic Baranda metal (plegable)		1432784-1015
Scala Basic Plus Baranda metal (plegable, con inserción plástico)		1432787-1015
Scala Medium Baranda metal (plegable)		1432781-1510
Scala Decubi Baranda metal (plegable)		1432793-1510
Baranda metal modelo 5539, ampliada (plegable, con palomilla)		50.55390.D0
BRITT IV baranda de madera (alto + 2.5 cm, haya)		1427875-0101
BRITT IV baranda de madera (alto + 2.5 cm, cerezo)		1427875-0102
BRITT IV baranda de madera (alto + 2.5 cm, haya blanca)		1427875-0105
BRITT III Baranda de madera (haya)		020434.01
BRITT III Baranda de madera, corto (haya)		021342.01
BRITT III Baranda de madera (cerezo)		020434.02
BRITT III Baranda de madera, corto (haya blanca)		021342.05
BRITT III Baranda de madera (haya blanca)		020434.05
BRITT II baranda de madera, prolongado (haya)		019372.01
BRITT II Baranda de madera, prolongado (cerezo)		019372.02
BRITT II Baranda de madera, prolongado (haya blanca)		019372.05
LILLI III Baranda de madera (haya)		1433812-0101
LILLI III Baranda de madera (cerezo)		1433812-0102
LILLI III Baranda de madera, prolongado (haya)		1434044-0101
Railes para prolongador somier		017639.D0
PUÑO MANTENIMIENTO		
Asa de soporte	25x30 cm	021964.D0
Asa de soporte	40x50 cm	021963.D0
Asa de soporte	25x80 cm	1417510-1015
Asa de soporte	40x30 cm	1417511-1015
Asa de soporte	40x95 cm	1417512-1015
TRAPECIO ELEVADOR		
Trapezio elevador		50.57600.D0
LIMITE CRUCETA		
Limite cruceta (impide que el plano de las piernas descienda)		1510820-1015

Artículo	Dimensiones	Núm.references
-----------------	--------------------	-----------------------

PORTA SUERO

Porta suero		50.60030.D0
Porta suero (para montar en tubo de trapecio elevador)		50.60910.00

RUEDAS PROTECTORAS

Rueda protectora (una)	75 mm.	50.59600.00
Rueda protectora (una)	100 mm.	50.59610.00
Rueda protectora (una)	150 mm.	50.59640.00
Rueda protectora (una, vertical)	100 mm.	50.59630.D0

COLCHONES

Dacapo Estándar (38 kg/m ³ espuma, funda algodón)	85x200x10.	1421530
Dacapo Estándar (38 kg/m ³ espuma, funda algodón)	90x200x10	1421531
Dacapo Estándar (38 kg/m ³ espuma, funda algodón)	105x200x10	1421532
Dacapo Estándar (38 kg/m ³ espuma, funda algodón)	120x200x10	1421533

Dacapo Basic (38 kg/m ³ espuma, funda incontinencia)	88x200x12.	1421551
Dacapo Basic (38 kg/m ³ espuma, funda incontinencia)	83x200x12.	1421552
Dacapo Basic (38 kg/m ³ espuma, funda incontinencia)	88x183x12.	1421555
Dacapo Basic (38 kg/m ³ espuma, funda incontinencia)	83x183x12.	1421556
Dacapo Basic reforzado (3 capas 50/50/38 kg/m ³ espuma, Funda incontinencia).	105x200x15.	1484429
Dacapo Basic reforzado (3 capas 50/50/38 kg/m ³ espuma, Funda incontinencia).	120x200x15.	1451262

Dacapo Orgánico (50 kg/m ³ espuma orgánica, forma entrecortada, Funda incontinencia)	85x200x12.	1421572
Dacapo Orgánico (50 kg/m ³ espuma orgánica, forma entrecortada, Funda incontinencia)	90x200x12.	1421573

Dacapo Combi (2 capas 50/38 kg/m ³ , espuma visco elástico , funda incontinencia)	85x200x14.	1421489
Dacapo Combi (2 capas 50/38 kg/m ³ , espuma visco elástico , funda incontinencia)	90x200x14.	1421490

Dacapo Square (2 capas 50/38 kg/m ³ , espuma orgánica, funda incontinencia)	83x200x14.	1421515
Dacapo Square (2 capas 50/38 kg/m ³ , espuma orgánica , funda incontinencia)	88x200x14.	1421516

Dacapo Top (50 kg/m ³ , espuma visco elástica, funda incontinencia).	85x200x6.	1421587
Dacapo Top (50 kg/m ³ , espuma visco elástica, funda incontinencia).	90x200x6.	1421588

Es posible comprar prolongaciones para colchones a medida.

KIT DE RUEDAS DE ALTURA REBAJADA

Kit de rueda de 75 mm con freno para obtener una altura rebajada		021343.D0
--	--	-----------

COBERTURA DE LAS BARANDILLAS

Cobertura Scala para barandillas de madera Britt III, IV y Lilli III		1449412
Cobertura Scala para barandillas de madera Britt III, cortas.		1449411
Cobertura Scala para barandillas de madera Britt II y Lilli III, extendidas.		1493565

Cobertura Scala para barandillas de madera Britt III, IV y Lilli III, red		1449413
Cobertura Scala para barandillas de madera Britt II y Lilli III, red, extendidas.		1449415

Cobertura Scala para barandilla de metal, Basic		1449423
Cobertura Scala para barandilla de metal, agrandadas		1449419
Cobertura Scala para barandilla de metal, extendidas.		1449421

Cobertura de Seguridad para barandillas de madera Britt III, IV y Lilli III		1511890
Cobertura de Seguridad para barandillas de madera Britt III, cortas		1513592
Cobertura de Seguridad para barandillas de madera Britt II y Lilli III, extendidas		1511892

9. Mantenimiento y comprobaciones

Las reparaciones y mantenimiento de la cama **SB750™** deben ser realizados por personal cualificado. Con un uso diario, el mantenimiento debe realizarse de acuerdo al plan de mantenimiento cada 2 años.

Al desplazar la cama, debe tener presente el plan de mantenimiento estipulado.

Si se utilizan cabeceros o pieceros Flex o Karin será necesario apretar los tornillos con la ayuda de una llave Allen.

Los rodillos de los pasadores deben ser lubricados después de 4 años de uso normal, consulte el capítulo del plan de lubricación.



Nota! Se debe sujetar el chasis superior durante las operaciones de mantenimiento para evitar un descenso accidental.

Recomendamos realizar un test de seguridad que revise los motores y la mecánica una vez al año.

Motores, mando y unidad de control

El mantenimiento de estas piezas consiste en sustituir las piezas que sean defectuosas.

10. Camas equipadas con acumulador

Una cama con acumulador cuenta con una caja adicional al lado de la unidad de control.

Mantenimiento preventivo

Los acumuladores deben sustituirse cada 4 años. Dependiendo de su uso la sustitución puede haber de realizarse antes. Frecuentemente, descargas repentinas reducen la vida del acumulador.

Recomendamos que al menos una vez al año se compruebe el acumulador.

Los acumuladores no se dañan por estar conectados a la red.



Sustitución de los acumuladores

Los acumuladores deben sustituirse y montarse con acumuladores del mismo tipo o mecánica y eléctricamente compatibles con los acumuladores originales.

Los acumuladores se entregan por pares la referencia es: 818323 (12V - 1,2Ah).

Los acumuladores deben ser nuevos y cargados como mínimo cada 6 meses. Los acumuladores deben tener los siguientes códigos.

Antes de colocarlas compruebe que el acumulador está correctamente conectado consulte el dibujo (en la caja del acumulador), las conexiones deben estar correctamente fijadas.

Atención

Los acumuladores viejos o defectuosos pueden generar una mezcla de gas explosivo durante el proceso de carga. La caja del acumulador se sirve con aberturas para asegurar una adecuada ventilación de la caja.

Las aberturas no pueden taparse o cubrirse ya que podría hacer aumentar la presión y explotar.

Deshacerse de los acumuladores

Los acumuladores viejos pueden devolverse a *Invacare®*, alternatively se pueden eliminar como las baterías de coche.

II. Cuadro mantenimiento

<p>Las reparaciones y mantenimiento del modelo SB750™ deben ser realizados por personal cualificado.</p> <p>Núm./serie (localizado en el somier): _____</p>					
Fecha:	Siglas:				
Circlips, chavetas y anillo fijación plástico comprobados.					
Tornillos apretados.					
Soldaduras inspeccionadas.					
Baranda movimiento y fijación comprobado.					
Fijación ruedas ajustada.					
Frenos comprobados.					
Ajuste altura motor comprobada.					
Motor respaldo comprobado.					
Sección motor de los muslos comprobada.					
Sección pistón piernas/motor comprobado.					
Cables correctamente suspendidos y no dañados. Enchufes no dañados.					
Pintura dañada reparada.					
Lubricación de acuerdo al plan de lubricación Nota! La guía de deslizamiento de las barandas de madera no puede lubricarse con aceite, en caso contrario las barandas se desplazarían lentamente.					
Accesorios comprobados.					

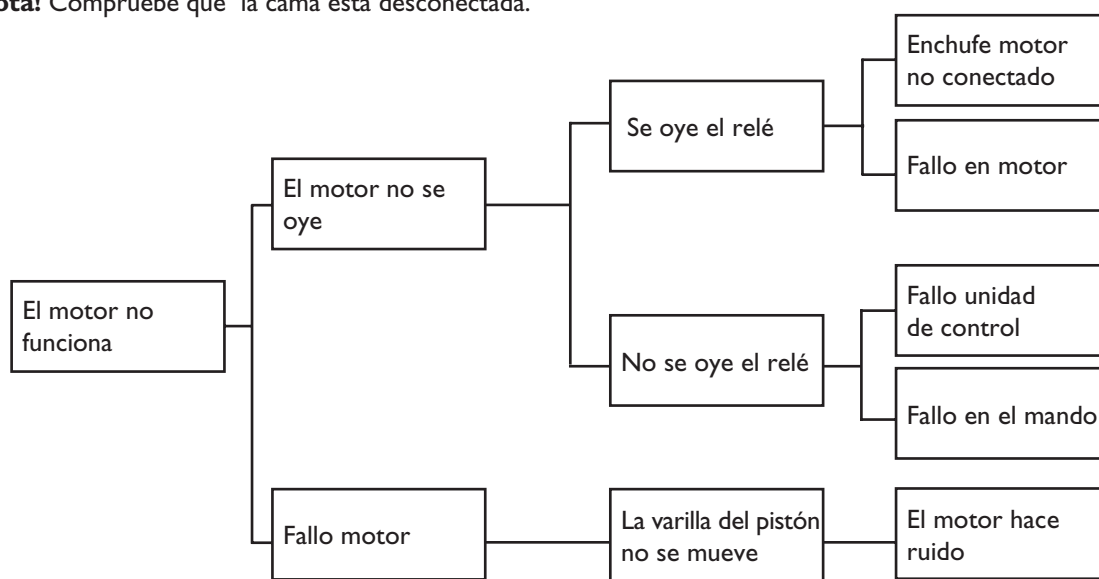
Es posible realizar un contrato de mantenimiento en según que países, donde Invacare tiene sus propias compañías de venta.

En algunos países *Invacare*® ofrece cursos de reparación y mantenimiento de la cama **SB750™**.

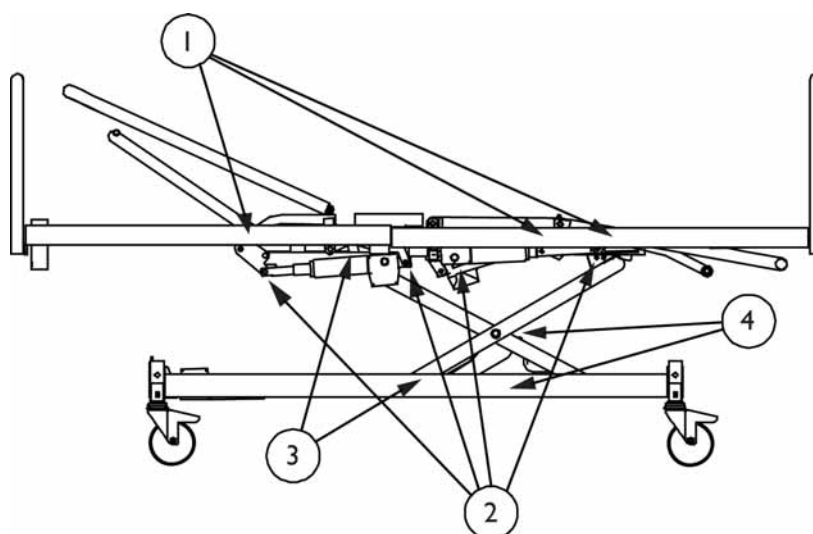
Invacare dispone de una lista de piezas de recambio y manuales del usuario adicionales *Invacare*®.

12. Problemas con el sistema eléctrico

Nota! Compruebe que la cama está desconectada.



13. Plan de lubricación



Recomendamos lubricar la cama **SB750™** de acuerdo a las siguientes instrucciones

- | | |
|--|-----------------------------|
| 1. Rodamientos dispositivos de bloqueo | - lubricar con aceite |
| 2. Rodamientos Motor/pistón gas | - lubricar con aceite |
| 3. Ranuras y guías | - lubricar con grasa |
| 4. Eje y rodamiento de las tijeras | - lubricar con aceite/grasa |

Lubricar con aceite tipo. KEW-WO 50, ref. pedido.: 813239 a y grasa ref. pedido.: 1497607.

14. Limpieza

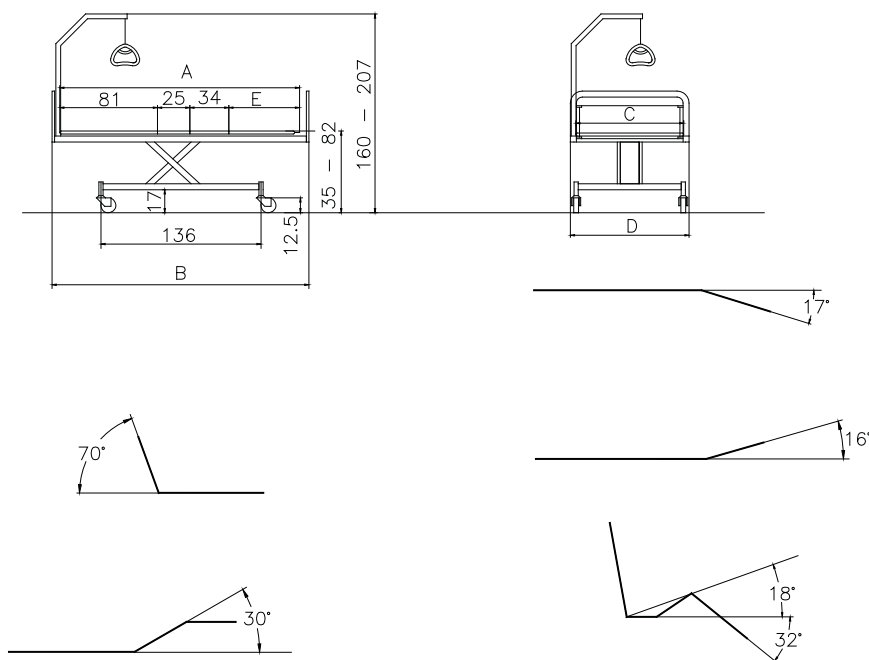
La cama **SB750™** no puede limpiarse en un lavado automático o mediante chorro a presión.

Utilice un detergente para desinfectar. Seque la cama después de limpiarla. No utilice nunca ácidos, alcalinos o disolventes. Compruebe por favor que la cama está desconectada de la corriente.

El plano de respaldo y la sección de las piernas/muslos puede descender hasta el somier para facilitar la limpieza y el acceso hasta la unidad de control.

Detalles importantes para la limpieza del mando, unidad de control y motores IP 66: Limpie siempre con agua y un cepillo. El agua puede ser presurizada pero no utilice nunca alta presión para limpiar o vapor en las unidades.

15. Características técnicas



Todas las medidas vienen en cm. Todos los ángulos se expresan en grados. Todas las medidas y ángulo se han medido sin tolerancias.

Invacare® se reserva el derecho a introducir cambios en las medidas y los ángulos sin previo aviso.

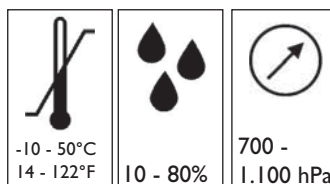
WxL	A	B	C	D	E
85x200	200	213	85	95	60
90x200	200	213	90	101	60
85x183	183	196	85	95	43
90x183	183	196	90	101	43
105x200	200	213	105	116	60
120x200	200	213	120	131	60

Condiciones de transporte y almacenaje:

Temperatura entre -10° y 50° C

Humedad entre 10 y 80 % RH.

La presión entre 700 y 1.100 hPa



16. Datos eléctricos

Voltaje:	230 V AC/50 Hz.
Entrada max. corriente:	1,5 A.
Intermitente (uso periódico de los motores):	10% max. 6 min/h.
Capacidad máx. acumulador:	1,2 Ah.
Protección clase:	IP 66.
Salida:	70 VA.
Nivel sonoro:	48 dB (A).

Doble aislamiento, clase II, tipo B.



Corriente alterna: 

Corriente continua: 

Carga máx. (SWL)
(paciente + colchón + barandilla + sistema de elevación + otros equipos).  = 220 kg

El paciente no está separado del suelo y el chasis.



Ecuilibración del potencial.



La unidad de control no puede cortar el suministro, para interrumpir el suministro de energía debe desconectar el enchufe.

17. Peso

Medidas / Peso	85x200 90x200	105x200	120x200
Chasis superior, cabecero con somier	25 kg	34 kg	36 kg
Chasis superior, piecero con somier	25 kg	36 kg	39 kg
Base chasis	40 kg	40 kg	42 kg
Cama completa, excluyendo accesorios	90 kg	110 kg	117 kg
Cabecero/piecero (SANNE III/FLEX III/KARIN III)	6 kg/pcs.	7 kg/pcs.	8 kg/pcs.
Barandas madera (BRITT II/BRITT III)	7 kg/pcs.	7 kg/pcs.	7 kg/pcs.
Barandas madera (BRITT IV)	8 kg/pcs.	8 kg/pcs.	8 kg/pcs.
Cabecero/piecero (ODA/PIGGY)	6 kg/pcs.	-	-
Barandas acero	7 kg/pcs.	7 kg/pcs.	7 kg/pcs.
Trapezio elevador	6,5 kg	6,5 kg	6,5 kg

18. Eliminación de desechos

Este producto ha sido fabricado por una empresa que cumple con la Directiva Europea 2002/96/EC relativa a los aparatos eléctricos y electrónicos y la gestión de sus residuos.

Este producto puede contener sustancias perjudiciales para el medio ambiente si su manipulación es inapropiada o no es conforme a la legislación en vigor.

El contenedor tachado es un símbolo que indica la recogida selectiva de aparatos eléctricos o electrónicos para incentivar siempre que sea posible el reciclaje.

Por favor, actúe de forma responsable con el medio ambiente y recicle este producto al final de su vida útil.



Indice

Informazioni per l'utente	6
1. Generalità	6
2. Come utilizzare il letto <i>SB750™</i>	7
Informazioni tecniche	10
3. Informazioni	10
4. Al ricevimento di <i>SB750™</i>	11
5. Come montare gli accessori	13
6. Come smontare/rimontare il letto <i>SB750™</i>	15
7. Cablaggio	17
8. Numeri d'ordine per gli accessori	19
9. Manutenzione e controlli.	21
10. Letti dotati di batteria di riserva	21
11. Scheda interventi manutentivi	22
12. Ricerca guasti sull'impianto elettrico.	23
13. Programma lubrificazione.	23
14. Pulizia	24
15. Specifiche tecniche.	24
16. Dati elettrici	25
17. Peso	26
18. Smaltimento rifiuti	26



Informazioni per l'utente

Complimenti per aver scelto il letto ortopedico **SB750™** di **Invacare®** EC-Høng.

- **SB750™** è pensato per pazienti di età superiore ai 12 anni, per l'assistenza domiciliare o ospedaliera.
- **SB750™** vanta una stabilità ottimale e una struttura ergonomica; è facile da smontare e da utilizzare.
- L'alzatesta "a traslazione", unico nel suo genere, offre al paziente un comfort ottimale e garantisce al personale infermieristico la possibilità di mantenere una posizione di lavoro corretta dal punto di vista ergonomico.

Per garantire il massimo comfort del paziente, **Invacare®** EC-Høng raccomanda di usare un materasso da 12 cm.

I. Generalità



Il letto **Scanbed 750™** risponde a tutte le richieste delle normative riguardanti le distanze massime. Tuttavia, se il letto è utilizzato da un paziente con dimensioni del corpo ridotte, si deve porre attenzione al rischio che il paziente scivoli tra le aperture tra le sponde o tra le aperture delle sponde e il piano rete.



Il letto non dovrebbe essere utilizzato da pazienti sotto i 12 anni di età o da pazienti con un corpo delle dimensioni equivalenti o inferiori a quelli di un bambino di 12 anni.



Il letto, in combinata con le sponde, non deve essere usato da persone sotto i 45 kg di peso o sotto i 150 cm di altezza, o per persone irrequiete (che sono affette da spasmi) o in stato confusionale, a meno che:

- non sia stata effettuata una valutazione del rischio da parte di un professionista e che tale rischio venga accettato o
- che venga usato un sistema di copertura di sicurezza correttamente installato.



Quando si utilizzano le sponde e la relativa copertura, è essenziale assicurarsi che siano fissate correttamente, altrimenti si corrono i rischi di intrappolamento/soffocamento tra il piano rete le sponde e i pannelli (pediera e testiera)!



Se il letto è utilizzato da persone irrequiete (spasmi) o in stato confusionale, si può usare un dispositivo ACP box per bloccare le funzioni della pulsantiera, e/o una barra trasversale di limitazione del movimento del piano rete da installarsi sotto alla sezione gambe del piano rete stesso. Questa barra trasversale previene che la sezione gambe scenda sotto il livello del piano rete, in tal modo riducendo l'apertura tra la sezione gambe del piano rete e la pediera.



Assicurarsi che il letto sia posizionato nella posizione più bassa possibile prima di lasciare il letto incustodito - in tal modo l'effetto di caduta/intrappolamento accidentale viene ridotto.



Invacare® EC-Høng non si assume alcuna responsabilità in caso di uso, modifiche o montaggio del prodotto secondo modalità diverse da quelle riportate nel manuale utente.

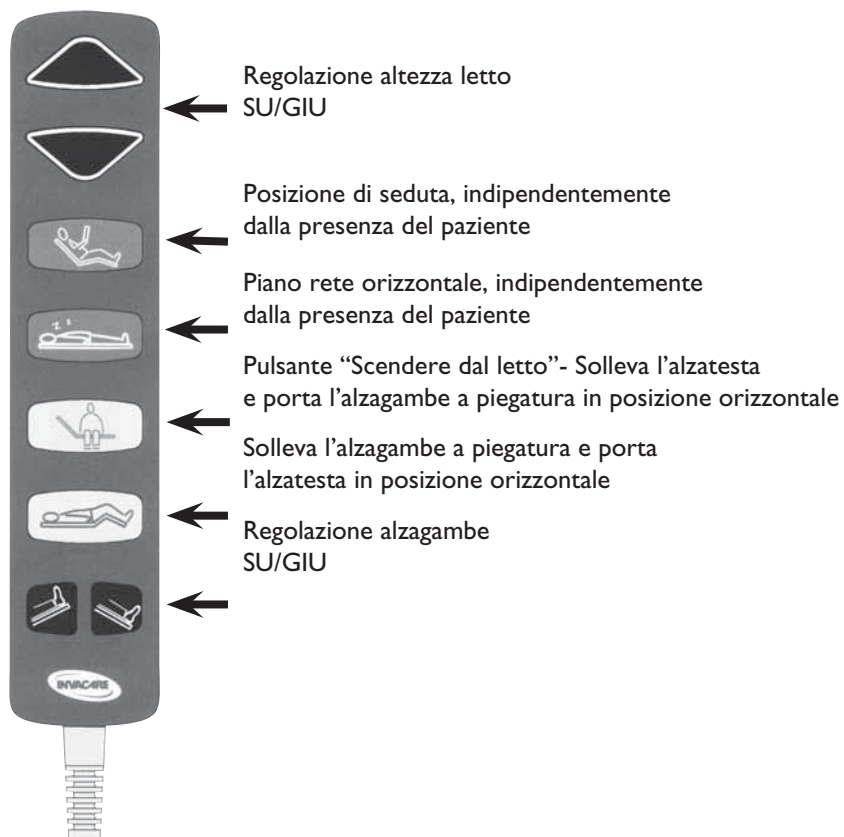


Il letto deve essere posizionato in modo tale che la regolazione dell'altezza (su/giù) non sia ostacolata, ad esempio, da sollevatori o mobili. In caso contrario, sussiste il pericolo di lesioni all'utente e/o di danneggiamento delle apparecchiature.

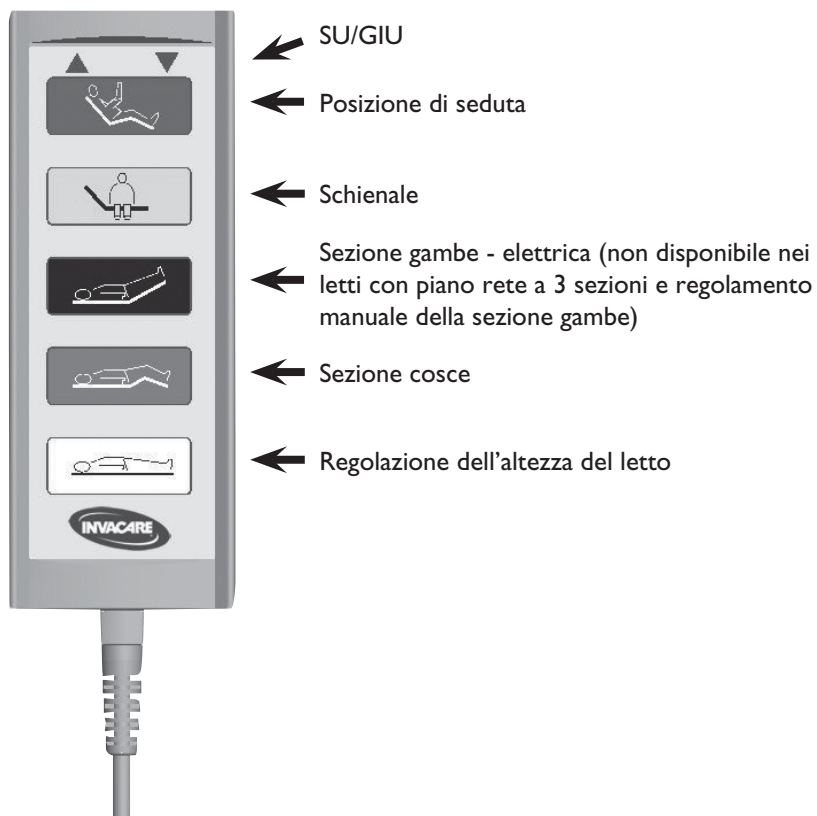
Durante la fase di trasferimento, si deve usare la regolazione in altezza. E' inoltre possibile usare l'alzatesta come supporto (pulsante giallo sul telecomando). La sezione alzapiedi e alzagambe invece deve essere orizzontale, altrimenti c'è il rischio di sovraccaricare la rete.

2. Come utilizzare il letto SB750™

Il letto può essere equipaggiato con questo tipo di pulsantiera (Soft Control):

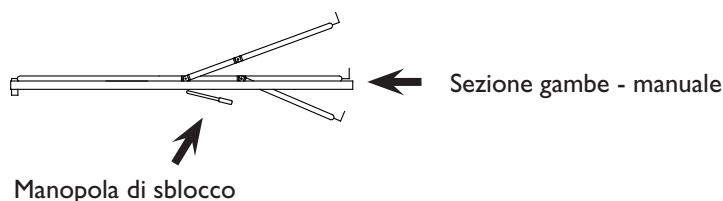


Oppure con questo tipo di pulsantiera (HB 70):



Regolazione della sezione piedi del letto con pistone a gas

Con una mano sollevare la manopola e, con l'altra, regolare l'alzagambe alla posizione desiderata. Rilasciare la manopola.



Movimento alzapiedi del letto SB750, con larghezza 120 cm, con sistema Rastofix

Per alzare la sezione alzapiedi: Alzare la sezione alzapiedi fino alla posizione desiderata.

NB: Assicurarsi che entrambe le corsie del Rastofix siano correttamente alloggiare.

Per abbassare la sezione alzapiedi: Alzare l'alzapiedi leggermente e abbassarlo verso il piano rete.



Lasciare **sempre** il letto nella posizione più bassa per evitare eventuali rischi di schiacciamento dovuti alla discesa accidentale del piano rete. Se in fase di regolazione dell'altezza una persona dovesse trovarsi sotto il letto questa potrebbe subire gravi lesioni.

Come utilizzare le ruote piroettanti con freno

<p>Ruote senza freno a pedale centralizzato Quando il letto è in posizione corretta ci devono essere almeno due ruote bloccate: una sul lato testata ed una su quello pediera. 1) Per frenare: Azionare il freno con il piede. 2) Per sbloccare il freno: Azionare la leva di sblocco, sempre con il piede.</p>	<p>2) 1)</p>
<p>Ruote con freno a pedale centralizzato Quando il letto è in posizione corretta questo deve essere opportunamente bloccato. 1) Per frenare: Se il freno non è attivato, azionare il pedale rosso. 2) Per sbloccare il freno: Azionare il pedale verde, fino a rilasciare il freno.</p>	
<p>Ruota piroettante Il letto SB750™ con freno a pedale centralizzato può essere dotato di una ruota piroettante. Quest'ultima è azionata tramite il pedale del freno centralizzato. 1) Per attivare la ruota piroettante: Se il freno non è attivo azionare il pedale verde. 2) Per disattivare la ruota piroettante: Azionare il pedale rosso, fino a rilasciare il freno.</p>	

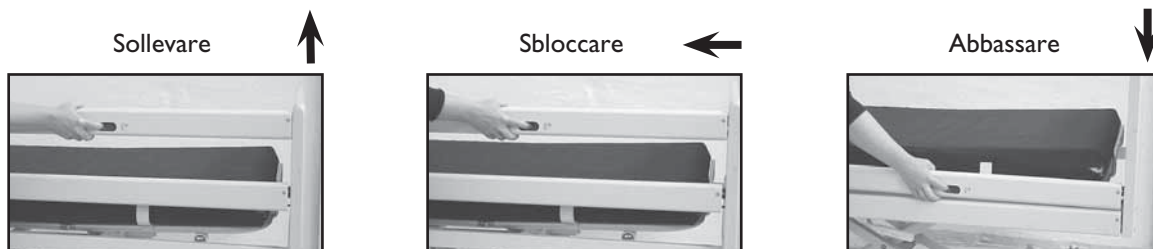
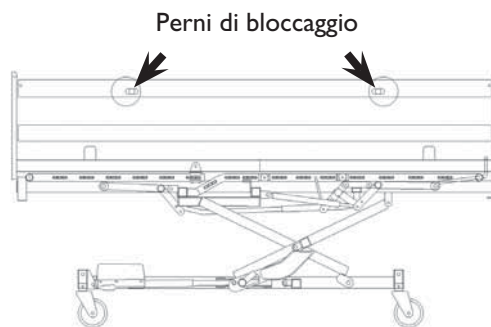
Il movimento delle ruote alla partenza può avvenire in modi differenti e provocare reazioni diverse a seconda del tipo di pavimento su cui sono poggiate – anche quando questo non è perfettamente liscio. In caso di dubbio, *Invacare®* raccomanda di porre una idonea protezione tra le ruote ed il pavimento.

Per utilizzare le sponde in legno BRITTII/III/IV

La testata/pediera possono essere attrezzate in modo tale da consentire il bloccaggio delle sponde a metà o a tutta altezza. Di solito le sponde possono essere bloccate solo in posizione di massima altezza.

Per sollevarle: tirare verso l'alto la sponda superiore in legno fino ad impegnare il perno di bloccaggio, che scatterà a conferma dell'avvenuto aggancio.

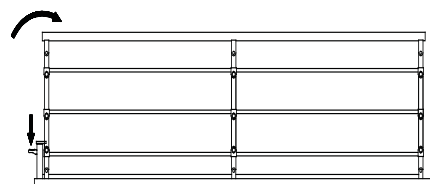
Per abbassarle: sollevare la sponda superiore in legno e spingere contemporaneamente i due perni di bloccaggio. Abbassare quindi la sponda.



Per utilizzare le sponde in acciaio

PER SOLLEVARLE: sollevare la sponda superiore in acciaio verso l'estremità con il meccanismo di bloccaggio.

PER ABBASSARLE: Premere il pulsante di rilascio e allontanare la sponda in acciaio dal meccanismo di bloccaggio.



Durante il montaggio e l'utilizzo delle sponde metalliche c'è il rischio di potersi schiacciare le dita. Si prega di assicurarsi spingendo e tirando la barra superiore delle sponde che il sistema di blocco delle stesse sia correttamente fissato.

Per regolare l'altezza dell'alzamalati

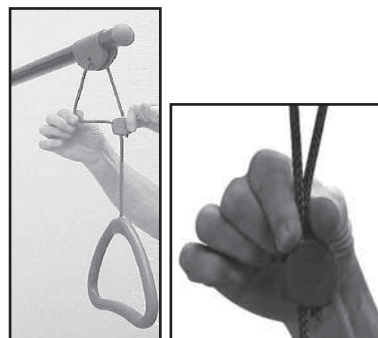
Allentare il cordino come rappresentato in Fig. A.

A questo punto è possibile regolare il triangolo all'altezza desiderata.

Riunire le due estremità del cordino come rappresentato in Fig. B e verificare che questo non possa ulteriormente scorrere (risulti bloccato) provando a tirare il triangolo.



Posizionare il dispositivo in modo tale che il triangolo risulti all'interno della superficie del letto. Se l'alzamalati viene utilizzato quando il triangolo è stato rivolto oltre l'ingombro del letto c'è il rischio che il letto stesso possa ribaltarsi quando il paziente cerca di raggiungere il triangolo.



A

B

Informazioni tecniche

Invacare® EC-Høng è un'azienda certificata ai sensi della norma DS/EN ISO 9001 e ISO 13485 una vera e propria garanzia per i clienti, che possono contare sulla fornitura di prodotti dalla qualità costante nel tempo.

Durante l'intero ciclo produttivo la qualità dei materiali e prodotti è controllata dagli operatori; è inoltre prevista una verifica finale, una volta che il prodotto è stato integralmente assemblato.

L'operatore che conduce la verifica finale (che prevede il controllo di tutte le parti mobili, dei motori/molle a gas e delle ruote) appone il proprio numero QA (Qualità Assurance, Assicurazione di Qualità) sul prodotto, a conferma dell'avvenuto monitoraggio con esito positivo.

QA XXX

Se il prodotto non soddisfa i requisiti di qualità definiti da *Invacare*® EC-Høng viene scartato.

Se, nonostante i controlli interni, dovesse insorgere un qualsiasi inconveniente sul prodotto fornito vi invitiamo a contattare il vostro rivenditore di fiducia *Invacare*®.

3. Informazioni

Si prega di leggere attentamente l'intera sezione dedicata alle informazioni tecniche prima di utilizzare o fornire il letto. Tutti i riferimenti ai lati destro e sinistro sono relativi al punto di vista del paziente sdraiato sulla propria schiena. Si prega di notare che nel presente manuale d'uso potrebbero esserci delle sezioni non rilevanti per il Vostro letto.

- Il letto **SB750™** è marcato CE ai sensi della Direttiva 93/42/CEE sulle apparecchiature mediche.
- Il letto **SB750™** è stato testato dall'istituto Hjælpemiddelinstittutet (Centro Danese di Ausili Tecnici) in ottemperanza ai requisiti del EN 1970.
- Il letto **SB750™** è stato testato per quanto riguarda la Compatibilità Elettromagnetica da UL Demko (Ente di Controllo Danese sui Materiali Elettrici).
- Il letto **SB750™** è stato oggetto di un'analisi dei rischi, ai sensi di quanto previsto dalla norma EN 14971.
- Il letto **SB750™** è omologato per sostenere un carico massimo di: 220 kg inclusi gli accessori.

Peso max. paziente: 185 kg.

La centralina di comando ed i motori sono protetti con classe IP 66. Se un componente elettronico ha classe di protezione IP 66 **deve** essere utilizzata la cappa di blocco della centralina di comando; in caso contrario *Invacare*® non offre alcuna garanzia per la protezione.



Tra il letto ed altre apparecchiature elettriche possono verificarsi delle interferenze elettromagnetiche. Per ridurre o eliminare tali interferenze, aumentare la distanza tra il letto e le apparecchiature o spegnere queste ultime. Questo letto ortopedico può essere utilizzato insieme ad un EQUIPAGGIAMENTO MEDICO ELETTRICO collegato ad un gruppo intravascolare o intracardiaco, purché si prendano i seguenti accorgimenti:

- Il letto ortopedico deve essere dotato di terminale/morsetto equipotenziale contraddistinto dal simbolo riportato sul retro del presente manuale;
 - La strumentazione medica a funzionamento elettrico non deve essere fissata su accessori/componenti metallici del letto quali sponde, alzamalati, asta portaflebo, pannelli testata/pediera, etc.
- Inoltre, il cavo di alimentazione della strumentazione medica a funzionamento elettrico deve essere tenuto lontano dagli accessori o da qualsiasi altra parte mobile/rimovibile del letto.



Invacare® EC-Høng non si assume alcuna responsabilità in caso di uso, modifiche o montaggio del prodotto secondo modalità diverse da quelle riportate nel manuale utente.

Se le funzioni del letto dovessero alterarsi occorrerà far controllare immediatamente il letto stesso, secondo la scheda degli interventi manutentivi, vedi cap. II.

4. Al ricevimento di SB750™



A causa della condensa, è consigliabile non utilizzare il letto finché nella stanza non si è raggiunta una temperatura tra 10° e 50° C.



Verificare che il letto sia perfettamente integro; in caso di danni si vedano i termini e condizioni di consegna.

Se il letto è stato fornito in colli separati occorrerà assemblarlo.
A tale riguardo si rimanda al Cap. 6 “Come smontare/
rimontare il letto **SB750™**”.

Verificare che il collegamento basamento/piano
rete sia correttamente bloccato (vedi figura).

Accertarsi che tutte le spine dei motori e della
pulsantiera siano correttamente collegate alla
centralina comandi, secondo i simboli stampigliati.

**Spinotto bloccato/
serratura a scatto**



**Spinotto sbloccato/
serratura scatto**



Quando si presta assistenza ad un paziente allettato è necessario che i freni del letto siano azionati.



Prima di spostare il letto staccare la spina dalla presa di corrente. Durante il trasporto accertare che il cavo sia a debita distanza dal suolo e dalle ruote piroettanti.

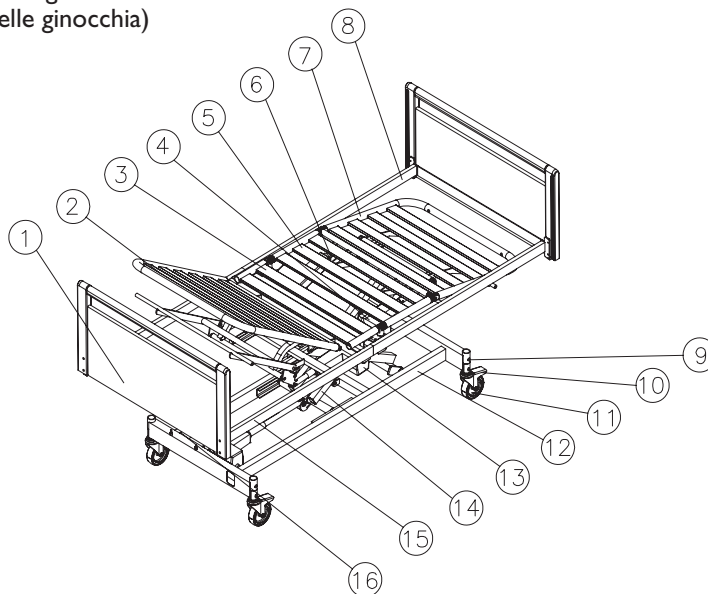
Collegare il letto **SB750™** alla rete elettrica.

Per una posizione di lavoro ergonomica: Portare il letto indicativamente a metà altezza, si veda a tale riguardo il Cap. 2 “Come utilizzare **SB750™**”.

Montare gli accessori: Testata/pediera, sponde, alzamalati e ruota ammortizzata.
Si veda a tale riguardo il cap. 5 “Come montare gli accessori”.

Componenti di un letto standard

1. Chiave a brugola
2. Alzatesta
3. Piano seduta
4. Motore 24 V, sezione alzagambe/molla a gas, alzagambe
5. Alzagambe a piegatura (con snodo a livello delle ginocchia)
6. Motore 24 V, sezione alzagambe a piegatura
7. Sezione alzagambe
8. Piano rete, pediera
9. Freno a pedale per letti dotati di sistema di frenatura centralizzato
10. Freno per letti dotati di ruote frenanti
11. Ruota
12. Basamento
13. Motore 24 V, alzatesta
14. Crociere
15. Piano rete, testata
16. Centralina comandi



Accessori

- Scatola batteria
- Fissaggi
- Pannelli testata/pediera
- Sponda in legno
- Sponda in acciaio
- Vite a testa zigrinata
- Alzamalati
- Ruota ammortizzata

Sblocco di emergenza dei componenti del piano rete

E' necessario ricorrere allo sblocco di emergenza del piano rete in caso di guasto al motore o mancanza di corrente. NON è possibile uno sblocco di emergenza della regolazione dell'altezza!

- Prima di provvedere allo sblocco di emergenza del piano rete staccare la spina dalla presa di corrente.
- In caso di emergenza, per sbloccare le diverse sezioni del piano rete occorre estrarre la coppia dal motore/molla a gas in questione.

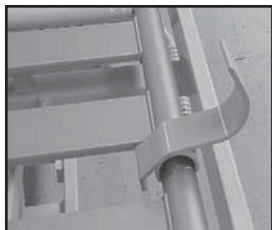


Per eseguire lo sblocco del piano rete occorrono almeno due persone, che provvedono a tenerlo in posizione bloccata. Una di loro estrae la coppia ed entrambi abbassano lentamente il piano rete, finché questo non sia sceso completamente.

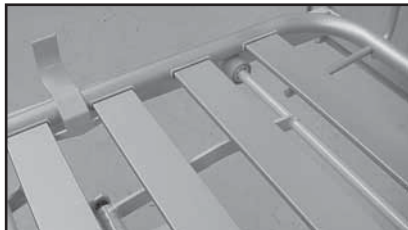
5. Come montare gli accessori

Gli utensili necessari per montare/smontare gli accessori del letto **SB750™** sono una chiave a brugola ed una chiave regolabile. La chiave a brugola è conservata all'interno della traversa sul lato testata e si usa per montare/smontare tutti gli accessori.

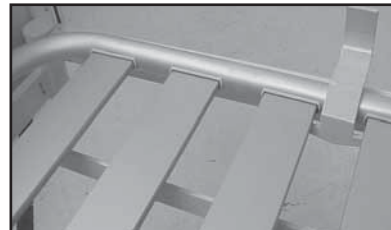
Per montare gli archetti ferma materasso



Gli archetti vanno spinti sulla struttura che sostiene il materasso.



Devono essere posizionati tra la terza e la quarta doga sull'alzatesta.

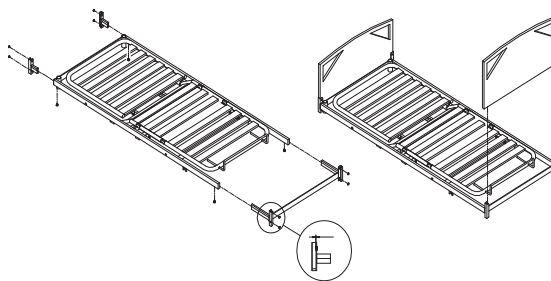


Devono essere posizionati tra la terza e la quarta doga sull'alzagambe.

Per montare l'estensione del piano rete

(Solo se questa non è già stata montata in fabbrica)

1. Montare le due porzioni più piccole sul lato testata e stringerle con la chiave a brugola.
2. Montare le due porzioni più grandi e la parte saldata sul lato pediera e stringerle con la chiave a brugola.



Per montare i pannelli testata/pediera PIGGY e ODA

Spingere i pannelli nelle guide a U.

Per montare i pannelli testata/pediera FLEX III/KARIN III

Bloccare i pannelli testata/pediera agli attacchi corrispondenti utilizzando i bulloni e quindi stringere con la chiave a brugola.

Per montare i pannelli testata/pediera SANNE III

Spingere il pannello verso il basso dopo aver posizionato i nottolini di fissaggio in corrispondenza dei relativi perni sull'attacco, dal lato testata e pediera. Si tratta di un innesto autobloccante.

Accertarsi che i pannelli testata/pediera siano saldamente bloccati in posizione.



Per smontare i pannelli testata/pediera SANNE III

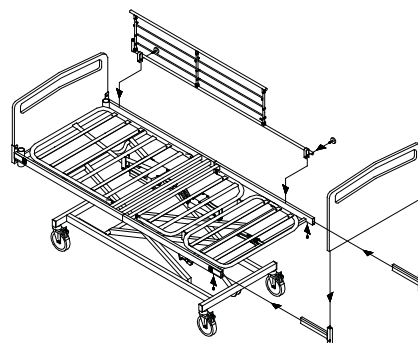
Estrarre il perno di bloccaggio e ruotarlo di mezzo giro.

Ripetere l'operazione sull'altro lato. Sollevare ed estrarre il pannello testata/pediera.

Per montare/smontare la sponda in acciaio

Per montarla: fare riferimento alle aree marcate poste sulle sponde. Stringere la sponda utilizzando le due viti a testa zigrinata.

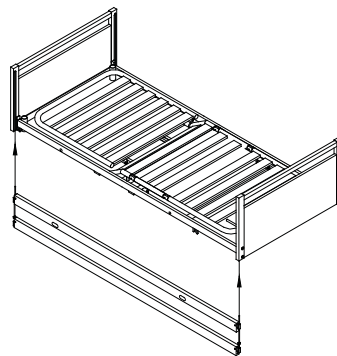
Smontaggio: Svitare i morsetti e togliere le sponde in acciaio.



Per montare la sponda BRITT II/III/IV

1. Sollevare il letto di circa 1/3.
2. Togliere il nastro di protezione dai perni di bloccaggio, alle estremità della sponda.
3. Provvedere al montaggio su un lato alla volta. Sollevare la barra inferiore in legno e guidare l'archetto metallico verso il binario di scorrimento all'estremità del letto (A).
4. Premere con un dito il perno che blocca la sponda (B).
5. Guidare la sponda verso l'estremità del letto, fino a quando il supporto elastico fuoriesce ed impedisce che la sponda cada oltre l'estremità del letto.

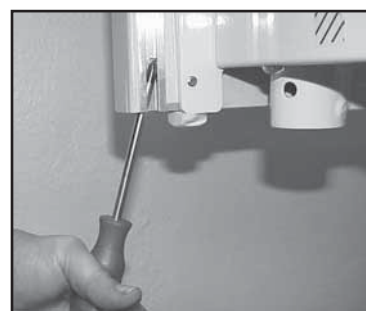
Quando si esegue il montaggio della sponda sull'altro lato del letto occorre ripetere le operazioni dal punto 3 al punto 5.



Per smontare la sponda BRITT II/III/IV

1. Sollevare il letto di circa 1/3. Abbassare la sponda.
2. Smontare la sponda da un lato alla volta. Sollevare la barra in legno inferiore fino a rendere visibile il supporto elastico.
3. Premere il supporto verso il basso con l'ausilio di una chiave o di un cacciavite (C).
4. Trattenerne la barra inferiore in legno. Abbassare la sponda fino a quando l'archetto metallico non risulti completamente svincolato rispetto al binario di scorrimento dell'estremità letto.

Quando si procede a smontare la sponda sull'altra estremità del letto ripetere le operazioni dal punto 2 al punto 4.



Per montare l'alzamalati

Togliere il tappo in plastica dal raccordo per l'alzamalati.
Montare l'alzamalati – UTILIZZARE la vite a testa zigrinata.

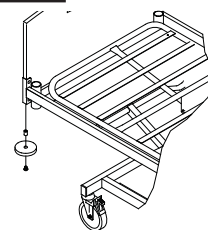
Tubo dispositivo alzamalati con tappo in plastica

Vite a testa zigrinata



Per montare la ruota ammortizzata

Montare il cuscinetto nella ruota ammortizzata e stringerlo con una vite sotto l'attacco. Le ruote ammortizzate non possono essere montate con testata e pediera SANNE.



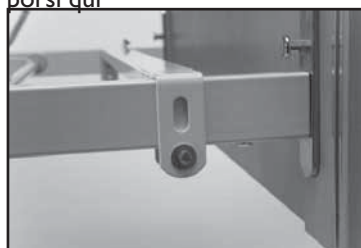
Installazione della barra di limitazione sotto la sezione gambe



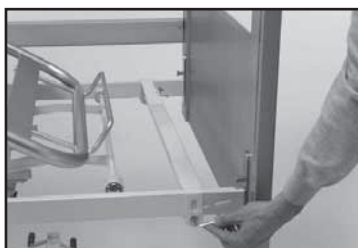
Se il letto è utilizzato da persone irrequiete (spasmi) o in stato confusionale, si può usare una barra trasversale di limitazione del movimento del piano rete da installarsi sotto alla sezione gambe del piano rete stesso. Questa barra trasversale previene che la sezione gambe scenda sotto il livello del piano rete, in tal modo riducendo l'apertura tra la sezione gambe del piano rete e la pediera.

Sollevare la sezione gambe del piano rete ed il braccio di sollevamento, e montare la barra di limitazione. Fissare entrambe le viti.

La barra di limitazione è da porsi qui



Le viti sono serrate



Barra di limitazione correttamente montata.



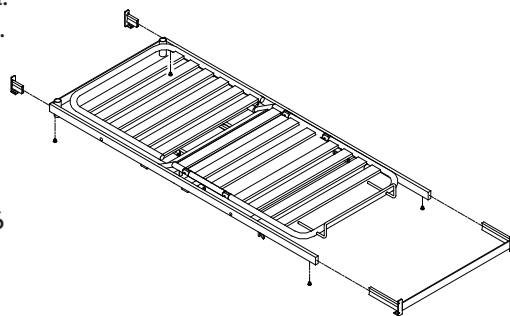
Come utilizzare l'estensione incorporata del piano rete



Attenzione! Al fine di evitare il rischio di intrappolamento / soffocamento, è fondamentale non allungare le estremità del letto senza estendere adeguatamente la rete.

Per montare l'estensione del piano rete si utilizza la chiave a brugola. Questa chiave è conservata all'interno della traversa sul lato testata.

1. Togliere le sponde in legno (cfr. cap. 5).
2. Togliere le 2 viti che bloccano l'estensione sotto la barra laterale (con l'ausilio della chiave a brugola).
3. Tirare verso l'esterno la prolunga, in modo che si estenda di 16 cm., reintrodurre le due viti e stringerle a fondo.
4. Allentare le due viti sotto la manopola per l'alzagambe, sollevare completamente la manopola e ribloccare le viti.
5. Inserire l'estensione del piano rete.



6. Come smontare/rimontare il letto SB750™

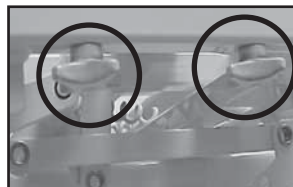
Per smontarlo

1. Accertarsi che le ruote siano frenate.
2. Smontare tutti gli accessori.
3. Portare il letto all'altezza marcata, in modo tale che le camme sulle guide del basamento e le crociere risultino contrapposte le une rispetto alle altre.
4. Staccare l'alimentazione elettrica.
5. Togliere la camma di blocco dalla centralina di comando.
6. Staccare le spine dei motori alzatesta, alzagambe e alzagambe a piegatura; controllare che i cavi non rimangano intrappolati nel basamento.
7. Togliere le viti a testa zigrinata 2x2 nelle barre laterali.
8. Estrarre (dagli inserti nelle barre laterali) la testata sul piano rete per poter fermare e abbassare la sezione a livello del pavimento.
9. Liberare i due raccordi di bloccaggio/agganci a scatto a livello della pediera sul piano rete, estraendo il perno di bloccaggio e ruotandolo verso destra.
10. Abbassare la sezione pediera del piano rete e sollevarla, ribaltandola all'indietro. 9. Togliere la sezione testata del piano rete dal basamento.
11. Collegare di nuovo il basamento alla rete ed abbassarlo completamente.

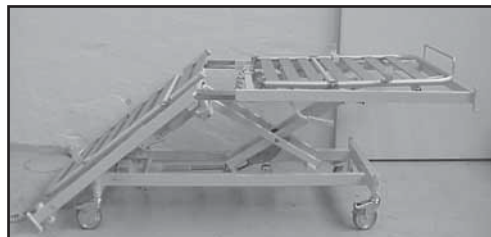
3.



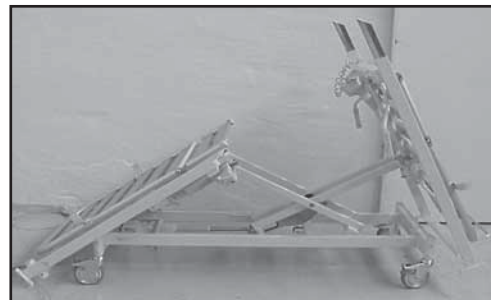
7.



8.

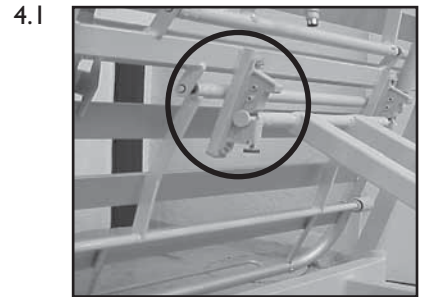


10.



Per rimontarlo

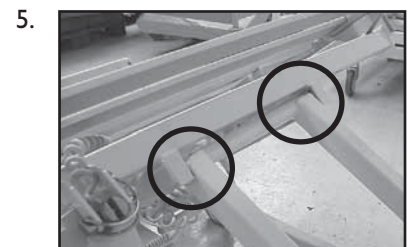
1. Accertarsi che le ruote siano frenate.
2. Collegare il basamento alla rete elettrica.
3. Portare il letto all'altezza marcata, in modo tale che le camme (si veda la fig. 3 a pag. 15) sulle guide del basamento e le crociere risultino contrapposte le une rispetto alle altre.
4. Sollevare la pediera del piano rete, in modo tale che i due raccordi di fissaggio/agganci a scatto vadano ad inserirsi nei perni sulle crociere (4.1).



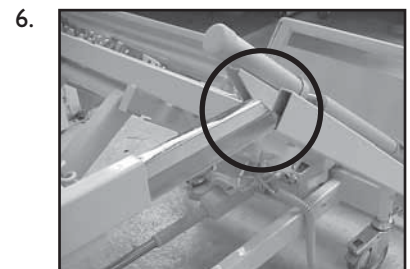
- Accertarsi che il perno di bloccaggio sia scattato e opportunamente bloccato in posizione (4.2).
Quindi portare la pediera del piano rete in posizione orizzontale.



5. Portare la testata del piano rete di fronte al basamento ed abbassarla, in modo tale che gli elementi scorrevoli in plastica vadano ad inserirsi nelle guide.



6. Sollevare la testata del piano rete e spingerla negli inserti fino a portarla in battuta.



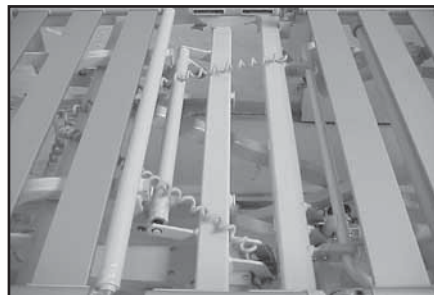
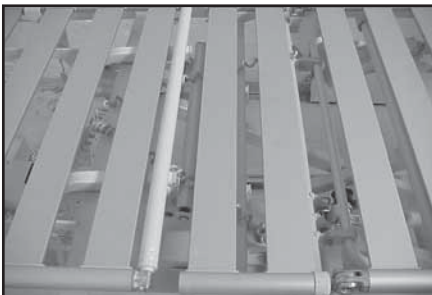
7. Avvitare le viti a testa zigrinata 2x2 nelle barre laterali.
8. Collegare le spine dei motori alzatesta, alzagambe e alzagambe a piegatura alla centralina di comando; per il cablaggio si veda il capitolo 7.
9. Montare gli accessori.



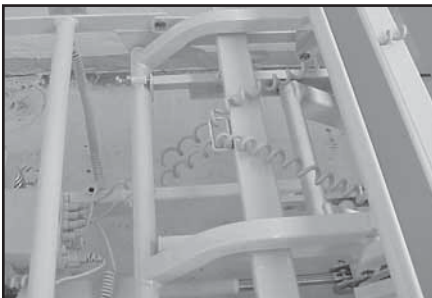
7. Cablaggio



I cavi vengono montati dal basso e fatti passare attraverso la scanalatura dell'estremità con l'albero motore.



Guidare i cavi facendoli passare sotto le doghe.

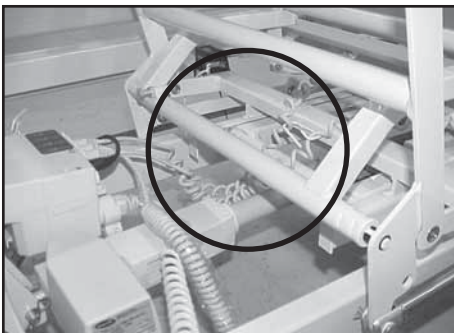


Installare i cavi facendoli passare attraverso l'archetto portacavi e quindi direzionarli verso la centralina di comando.

Queste foto illustrano un letto con due motori per il piano rete.

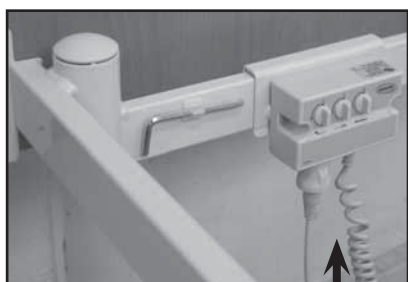
Controllare il cablaggio azionando tutti i motori del letto e portandoli verso le rispettive posizioni esterne.

Una volta che i cavi sono stati montati correttamente non sussiste più il rischio che gli stessi vengano eventualmente schiacciati.



E' normale che, dopo un breve periodo di utilizzo, i cavi si allentino leggermente.

ACP box (optional)



La pulsantiera può essere disattivata tramite l'interruttore dell'ACP box. Questo interruttore generale si trova sulla parte della testiera del letto. Per verificare che la pulsantiera è stata disattivata è sufficiente premere un qualsiasi pulsante, il letto non deve eseguire nessun movimento.



Aperto (operativo)



Bloccato



Rimozione del sistema di sicurezza

Sostituzione della pulsantiera inserita sull'ACP box

Premere l'anello bianco di blocco posto sullo spinotto della pulsantiera e staccare il cavo dall'ACP box.

8. Numeri d'ordine per gli accessori

Articolo	Dimensioni	Nr. ordine
PANNELLI LEGNO TESTATA/PEDIERA		
SANNE III (faggio).....	85 cm	020429.01
SANNE III (faggio).....	90 cm	020740.01
SANNE III (faggio).....	105 cm	021953.01
SANNE III (faggio).....	120 cm	021954.01
SANNE III (ciliegio / faggio)	90 cm	021956.07
SANNE III, prolungate (faggio) *).....	85 cm	1451258-0101
SANNE III, prolungate (faggio) *).....	90 cm	1451257-0101
SANNE III, prolungate (faggio) *).....	105 cm	1484403-0101
SANNE III, prolungate (faggio) *).....	120 cm	1484404-0101
*) Da utilizzare con sponda in legno LILLI III		
FLEX III (faggio).....	85 cm	020417.01
FLEX III (faggio).....	90 cm	020737.01
PIGGY (faggio / guide a U).....	85 cm	020431.01
PIGGY (faggio / guide a U).....	90 cm	018940.01
ODA (faggio / guide a U).....	85 cm	020430.01
ODA (faggio / guide a U).....	90 cm	016609.01
Sono disponibili (non per il mercato Italiano) altri tipi di pannelli. Per informazioni contattare <i>Invacare</i> ®		
SPONDE		
Scala Basic Sponda metallica (pieghevole)		1432784-1015
Scala Basic Plus Sponda metallica (pieghevole, con vite a testa zigrinata sciolta).....		1432787-1015
Scala Medium Sponda metallica (pieghevole).....		1432781-1015
Scala Decubi Sponda metallica (pieghevole).....		1432793-1015
Sponda metallica model 5539, più lunga (pieghevole, con vite a testa zigrinata, sciolta)		50.55390.D0
BRITT IV sponda in legno (altezza + 2,5 cm, faggio).....		1427785-0101
BRITT IV sponda in legno (altezza + 2,5 cm, ciliegio)		1427875-0102
BRITT IV sponda in legno (altezza + 2,5 cm, faggio bianco)		1427875-0105
BRITT III sponda in legno (faggio)		020434.01
BRITT III sponda in legno, corta (faggio)		021342.01
BRITT III sponda in legno (ciliegio)		020434.02
BRITT III sponda in legno, corta (faggio bianco)		021342.05
BRITT III sponda in legno (faggio bianco).....		020434.05
BRITT II sponda in legno, più lunga (faggio).....		019372.01
BRITT II sponda in legno, più lunga (ciliegio).....		019372.02
BRITT II sponda in legno, allungato (faggio bianco).....		019372.05
LILLI III sponda in legno (faggio).....		1433812-0101
LILLI III sponda in legno (ciliegio).....		1433812-0102
LILLI III sponda in legno, più lunga (faggio).....		1434044-0101
Binari di scorrimento per estensione piano rete.....		017639.D0
MANIGLIE		
Maniglia	25x30 cm	021964.D0
Maniglia	40x50 cm	021963.D0
Maniglia	25x80 cm	1417510-1015
Maniglia	40x30 cm	1417511-1015
Maniglia	40x95 cm	1417512-1015
ALZAMALATO		
Alzamalato.....		50.57600.D0
BARRA DI LIMITAZIONE		
Barra di limitazione (previene che la sezione gambe si abbassi sotto al livello della struttura del piano rete).....		1510820-1015

Articolo	Dimensioni	Nr. ordine
-----------------	-------------------	-------------------

PORTA-FLEBO

Asta porta-flebo	50.60030.D0
Asta porta-flebo (da montare su alzamalato).....	50.60910.00

RUOTE AMMORTIZZATE

Ruote ammortizzate (una)	75 mm....	50.59600.00
Ruote ammortizzate (una)	100 mm....	50.59610.00
Ruote ammortizzate (una)	150 mm....	50.59640.00
Ruote ammortizzate (una, verticale)	100 mm....	50.59630.D0

MATERASSI

Dacapo Standard (espanso 38 kg/m ³ , rivestimento cotone)	85x200x10.....	1421530
Dacapo Standard (espanso 38 kg/m ³ , rivestimento cotone)	90x200x10	1421531
Dacapo Standard (espanso 38 kg/m ³ , rivestimento cotone)	105x200x10	1421532
Dacapo Standard (espanso 38 kg/m ³ , rivestimento cotone)	120x200x10	1421533

Dacapo Basic (espanso 38 kg/m ³ , traversa impermeabile)	88x200x12	1421551
Dacapo Basic (espanso 38 kg/m ³ , traversa impermeabile)	83x200x12.....	1421552
Dacapo Basic (espanso 38 kg/m ³ , traversa impermeabile)	88x183x12	1421555
Dacapo Basic (espanso 38 kg/m ³ , traversa impermeabile)	83x183x12	1421556
Dacapo Basic Heavy user (3 strati espanso 50/50/38 kg/m ³ , traversa impermeabile) ..	105x200x15	1484429
Dacapo Basic Heavy user (3 strati espanso 50/50/38 kg/m ³ , traversa impermeabile) ..	120x200x15	1451262

Dacapo Organic (espanso naturale 50 kg/m ³ , nido d'ape, traversa impermeabile)	85x200x12	1421572
Dacapo Organic (espanso naturale 50 kg/m ³ , nido d'ape, traversa impermeabile)	90x200x12	1421573

Dacapo Combi (2 strati da 50/38 kg/m ³ , Viscoelastico/Espanso, traversa impermeabile)	85x200x14.....	1421489
Dacapo Combi (2 strati da 50/38 kg/m ³ , Viscoelastico/Espanso, traversa impermeabile)	90x200x14.....	1421490

Dacapo Square (2 strati da 50/38 kg/m ³ , Viscoelastico/schiumato naturale, traversa impermeabile)	83x200x14.....	1421515
Dacapo Square (2 strati da 50/38 kg/m ³ , Viscoelastico/schiumato naturale, traversa impermeabile)	88x200x14.....	1421516

Dacapo Top (50 kg/m ³ , espanso visco-elastico, traversa impermeabile)	85x200x6.....	1421587
Dacapo Top (50 kg/m ³ , espanso visco-elastico, traversa impermeabile)	90x200x6.....	1421588

E' possibile acquistare materassi adattabili/espandibili per letti allungati.

SET SOSPENSIONE BASSA CON RUOTE

Set sospensione bassa con ruote frenanti ø75 mm	021343.D0
---	-----------

COPERTURE PER SPONDE

Copertura Scala per sponde in legno Britt III, IV e Lilli III	1449412
Copertura Scala per sponde in legno Britt III, corte	1449411
Copertura Scala per sponde in legno Britt II e Lilli III, extra lunghe	1493565

Copertura Scala per sponde in legno Britt III, IV e Lilli III, rete	1449413
Copertura Scala per sponde in legno Britt II e Lilli III, rete, extra lunghe	1449415

Copertura Scala per sponde metalliche, Basic	1449423
Copertura Scala per sponde metalliche, aumentate	1449419
Copertura Scala per sponde metalliche, extra lunghe	1449421

Copertura di Sicurezza per sponde in legno Britt III, IV e Lilli III	1511890
Copertura di Sicurezza per sponde in legno Britt III, corto	1513592
Copertura di Sicurezza per sponde in legno Britt II e Lilli III, extra lunghe	1511892

9. Manutenzione e controlli

Gli interventi di riparazione e assistenza sul letto **SB750™** possono essere eseguiti unicamente da personale opportunamente addestrato e qualificato.

In caso di normale utilizzo quotidiano del letto i controlli e gli interventi manutentivi sullo stesso devono essere eseguiti secondo il programma previsto, e cioè dopo i primi due anni di servizio e successivamente ogni altro anno. Quando si trasferisce il letto è comunque necessario eseguire gli interventi manutentivi in base a quanto indicato nel programma corrispondente.

Quando si utilizzano pannelli testata/pediera Flex o Karin, che sono realizzati con un tipo di legno flessibile, occorrerà stringere periodicamente le viti a testa esagonale con cadenze diverse rispetto a quelle descritte nel manuale utente. Gli snodi e i leverismi devono essere lubrificati dopo 4 anni di utilizzo normale, si vedano le pos. nr. 4 + 5 dello schema di lubrificazione.



Nota! Durante i controlli manutentivi è necessario che il piano rete venga opportunamente sostenuto per evitare discese accidentali.

Vi raccomandiamo di eseguire almeno una volta all'anno un test di sicurezza sui motori e sulla meccanica.

Motori, centralina e pulsantiera

La manutenzione su questi componenti si limita alla sostituzione di eventuali particolari difettosi.

10. Letti dotati di batteria di riserva

Un letto con batteria di riserva è dotato di una scatola supplementare a fianco della centralina.

Manutenzione preventiva:

Le batterie devono essere sostituite dopo 4 anni. In funzione dell'uso effettivo delle batterie, la sostituzione può rendersi necessaria anche prima. Lasciar scaricare frequentemente e improvvisamente la batteria ne riduce la vita di servizio.

Si raccomanda di far controllare le batterie almeno una volta l'anno.

Le batterie non si danneggiano in caso di continui collegamenti alla rete elettrica.



Sostituzione delle batterie

Le batterie devono essere sostituite in contemporanea e cambiate con lo stesso modello o eventualmente con batterie che siano sia dimensionalmente che elettricamente compatibili.

Vengono consegnate un paio di batterie se si utilizza il codice nr: 818323 (12V - 1,2Ah).

Le batterie devono essere nuove o comunque essere state ricaricate ad intervalli di 6 mesi. Le batterie che fanno parte di un kit devono avere lo stesso codice di produzione.

Prima dell'inserimento accertarsi che il kit batterie sia collegato correttamente - a tale riguardo si veda il disegno (sulla scatola della batteria) - e che non ci siano connettori sciolti.

Avvertenza

Eventuali batterie vecchie o difettose possono generare - durante la ricarica - una miscela di gas esplosivi.

La scatola delle batterie è dotata di appositi sfiati per garantire un'adeguata aerazione.

Gli sfiati non devono essere bloccati o coperti, in quanto potrebbero generarsi delle sovrappressioni, con il conseguente rischio di esplosione.

Smaltimento rifiuti

Le batterie usate possono essere restituite a *Invacare*®, oppure occorrerà smaltirle nello stesso modo utilizzato per le batterie delle auto.

II. Scheda interventi manutentivi

<p>Gli interventi di riparazione e manutenzione sul letto <i>SB750™</i> possono essere eseguiti solo a personale opportunamente qualificato ed addestrato</p> <p>Numero di serie (posizionato sul piano rete): _____</p>					
Data:	Sigla.:				
Sono stati controllati O-ring, coppiglie e anello di fissaggio in plastica.					
Le viti sono state ben strette.					
Le saldature sono state controllate.					
Sono stati testati i sistemi di bloccaggio e scorrimento delle sponde.					
Sono stati ben stretti gli attacchi ruote.					
Sono stati controllati i freni ruote.					
E' stato verificato il motore di regolazione altezza.					
E' stato controllato il motore alzatesta.					
E' stato controllato il motore alzagambe a piegatura.					
E' stato verificato il motore/molla a gas dell'alzagambe.					
La calata dei diversi collegamenti scende in modo corretto ed è integra? Le spine sono integre.					
La verniciatura danneggiata è stata sistemata.					
<p>E' stata eseguita la lubrificazione secondo il programma definito.</p> <p>NB! Il sistema di scorrimento della sponde in legno NON deve essere lubrificato con olio, altrimenti le sbarre si muoveranno lentamente.</p>					
Sono stati controllati i diversi accessori.					

Nei paesi in cui *Invacare®* dispone dei propri punti vendita è possibile stipulare un contratto di assistenza.

Invacare®, inoltre, propone corsi di formazione in materia di riparazione e assistenza del letto ***SB750™***.

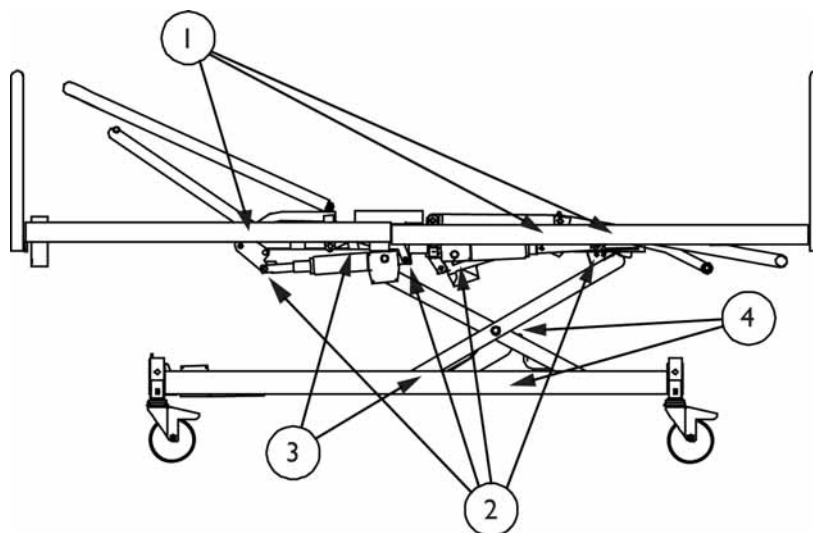
E' possibile richiedere ad *Invacare®* una lista ricambi e copie supplementari dei manuali d'uso.

12. Ricerca guasti sull'impianto elettrico

NB! Accertarsi di aver scollegato l'alimentazione di rete.



13. Programma lubrificazione



Si raccomanda di provvedere alla lubrificazione del letto **SB750™** secondo le istruzioni di seguito fornite:

- | | |
|----------------------------------|-------------------------------|
| 1. Snodi della crociera | - lubrificare con olio |
| 2. Cuscinetti motore/molle a gas | - lubrificare con olio |
| 3. Elementi scorrevoli e guide | - lubrificare con grasso |
| 4. Asse e rullini crociere | - lubrificare con olio/grasso |

Lubrificare con olio per uso medico, es. KEW-WO 50, nr. ordine: 813239 e grasso, nr. ordine: 1497607.

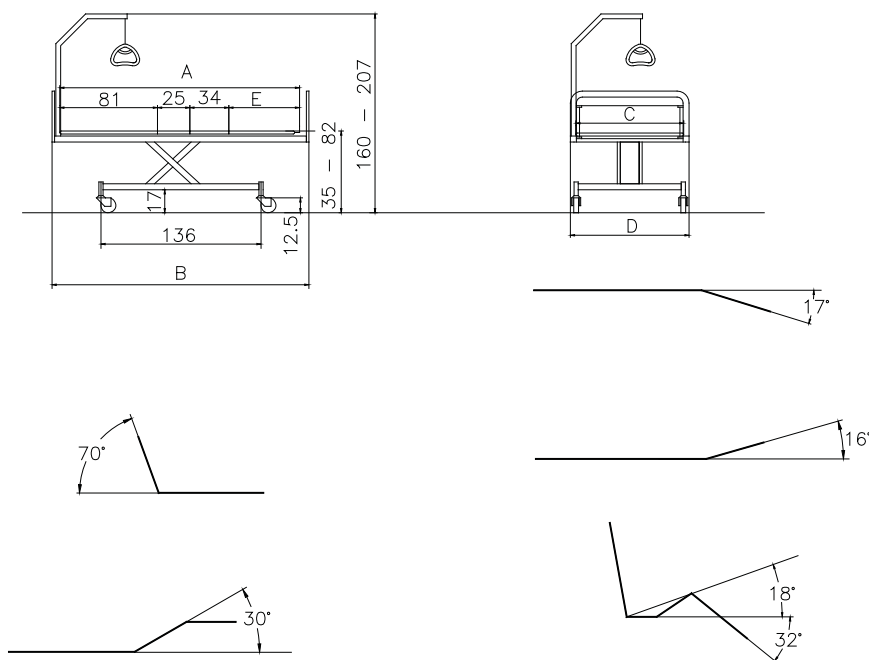
14. Pulizia

Il letto **SB750** non deve essere pulito ricorrendo ad impianti di lavaggio automatici o con apparecchiature a getto d'acqua. Utilizzare comuni detergenti disinfettanti. Asciugare il letto dopo averlo lavato. Non usare mai sostanze acide, alcaline o solventi.

Accertarsi sempre di aver staccato la spina dalla presa di corrente. L'alzatesta e l'alzagambe/alzagambe a piegatura possono essere abbassati sul piano rete, per facilitare la pulizia e l'accesso alla centralina di comando.

Dettagli importanti per la pulizia di centralina, pulsantiera e motori IP 66: Pulire sempre con acqua e una spazzola. L'acqua può essere pressurizzata, evitare però l'utilizzo di sistemi di lavaggio ad alta pressione o di getti di vapore, convogliati direttamente su questi gruppi.

15. Specifiche tecniche



Tutte le misure sono espresse in cm. Tutti gli angoli sono indicati in gradi. Misure ed inclinazioni sono riportate senza tolleranze.

Invacare® si riserva il diritto di apportare eventuali modifiche alle misure e angolazioni indicate senza preavviso.

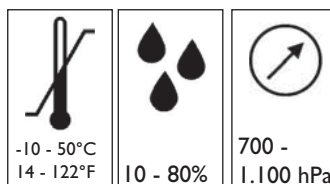
WxL	A	B	C	D	E
85x200	200	213	85	95	60
90x200	200	213	90	101	60
85x183	183	196	85	95	43
90x183	183	196	90	101	43
105x200	200	213	105	116	60
120x200	200	213	120	131	60

Condizioni di trasporto e immagazzinamento:

Temperatura tra -10° e 50° C

Grado di umidità tra 10 e 80 % RH.

Pressione tra 700 e 1.100 hPa




16. Dati elettrici

Alimentazione:	230 V AC/50 Hz.
Corrente max. in ingresso:	1,5 A.
Funzionamento intermittente (util. per. dei motori):	10% max. 6 min/h.
Capacità max. batteria:	1,2 Ah.
Grado di protezione:	IP 66.
Uscita:	70 VA.
Livello acustico:	48 dB (A).

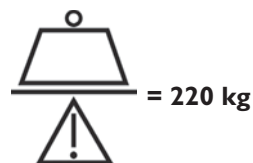
Doppio isolamento, classe II, tipo B.



Corrente alternata: 

Corrente continua: 

Carico max. (SWL)
(Paziente + materasso + sponda + alzamalati + altre apparecchiature)



Il paziente non è isolato rispetto alla terra e al telaio.



Equalizzazione del potenziale.



La centralina di comando non è dotata di disgiuntore; pertanto la spina di rete rappresenta l'unica possibilità di interrompere l'alimentazione di settore.

17. Peso

Dimensioni / Peso	85x200 90x200	105x200	120x200
Piano rete, testata	25 kg	34 kg	36 kg
Piano rete, pediera	25 kg	36 kg	39 kg
Basamento	40 kg	40 kg	42 kg
Letto completo, esclusi gli accessori	90 kg	110 kg	117 kg
Pannelli testata/pediera (SANNE III/FLEX III/KARIN III)	6 kg/pcs.	7 kg/pcs.	8 kg/pcs.
Sponda in legno (BRITT II/BRITT III)	7 kg/pcs.	7 kg/pcs.	7 kg/pcs.
Sponda in legno (BRITT IV)	8 kg/pcs.	8 kg/pcs.	8 kg/pcs.
Pannelli testata/pediera (ODA/PIGGY)	6 kg/pcs.	-	-
Sponda in acciaio	7 kg/pcs.	7 kg/pcs.	7 kg/pcs.
Alzamalati	6,5 kg	6,5 kg	6,5 kg

18. Smaltimento rifiuti

Questo prodotto è stato fornito da un fabbricante in conformità alla direttiva »Gestione dei Rifiuti di Apparecchiature Elettriche ed Elettroniche (RAEE)« 2002/96/CE.

Questo prodotto potrebbe contenere delle sostanze nocive all'ambiente se smaltite in maniera non corretta o lasciate in punti di raccolta non appropriati e non conformi a quanto previsto dalla Legislazione Nazionale.

Il simbolo »contenitore di spazzatura barrato« vi invita a comportarvi in maniera responsabile e a rispettare l'ambiente favorendo il reimpiego, recupero e riciclaggio dei componenti elettrici ed elettronici che, solo al termine del loro ciclo di vita, vanno raccolti e smaltiti in modo separato presso appropriate strutture di raccolta differenziata.





Yes, you can.

Customer Sales and Service

Belgium & Luxemburg:

Invacare nv, Autobaan 22, B-8210 Loppem
Tel: (32) (0)50 83 10 10,
Fax: (32) (0)50 83 10 11
belgium@invacare.com / www.invacare.be

Denmark:

Invacare A/S, Sdr. Ringvej 37, DK-2605
Brøndby
Tel: (45) (0)36 90 00 00,
Fax: (45) (0)36 90 00 01
denmark@invacare.com / www.invacare.dk

Deutschland:

Invacare GmbH, Alemannenstraße 10,
D-88316 Isny
Tel: (49) (0)75 62 7 00 0,
Fax: (49) (0)75 62 7 00 66
kontakt@invacare.com / www.invacare.de

Ulrich Alber GmbH, Vor dem Weissen
Stein 21, D-72461 Albstadt-Tailfingen
Tel: (49) (0)7432 2006 0,
Fax: (49) (0)7432 2006 299
info@ulrich-alber.de

European Distributor Organisation:

Invacare, Kleiststraße 49, D-32457 Porta
Westfalica
Tel: (49) (0)57 31 754 540,
Fax: (49) (0)57 31 754 541
edo@invacare.com / www.invacare.eu.com

España:

Invacare SA, c/Areny s/n, Polígon Industrial
de Celrà, E-17460 Celrà (Girona)
Tel: (34) (0)972 49 32 00,
Fax: (34) (0)972 49 32 20
contactsp@invacare.com / www.invacare.es

France:

Invacare Poirier SAS, Route de St Roch,
F-37230 Fondettes
Tel: (33) (0)2 47 62 64 66,
Fax: (33) (0)2 47 42 12 24
contactfr@invacare.com / www.invacare.fr

Ireland:

Invacare Ireland Ltd, Unit 5 Seatown Busi-
ness Campus, Seatown Road, Swords, County
Dublin - Ireland
Tel: (353) 1 810 7084,
Fax: (353) 1 810 7085
ireland@invacare.com / www.invacare.ie

Italia:

Invacare Mecc San s.r.l., Via dei Pini 62, I-36016
Thiene (VI)
Tel: (39) 0445 38 00 59,
Fax: (39) 0445 38 00 34
italia@invacare.com / www.invacare.it

Nederland:

Invacare BV, Celsiusstraat 46, NL-6716 BZ Ede
Tel: (31) (0)318 695 757,
Fax: (31) (0)318 695 758
nederland@invacare.com / www.invacare.nl
csede@invacare.com

Norge:

Invacare AS, Grensesvingen 9, Postboks 6230,
Etterstad, N-0603 Oslo
Tel: (47) (0)22 57 95 00
Fax: (47) (0)22 57 95 01
norway@invacare.com / www.invacare.no
island@invacare.com

Österreich:

Invacare Austria GmbH, Herzog Odilostrasse
101, A-5310 Mondsee
Tel: (43) 6232 5535 0,
Fax: (43) 6232 5535 4
info-austria@invacare.com / www.invacare.at

Portugal:

Invacare Lda, Rua Estrada Velha, 949, P-4465-
784 Leça do Balio
Tel: (351) (0)225 1059 46/47,
Fax: (351) (0)225 1057 39
portugal@invacare.com / www.invacare.pt

Sverige & Suomi:

Invacare AB, Fagerstagatan 9, S-163 91
Spånga
Tel: (46) (0)8 761 70 90,
Fax: (46) (0)8 761 81 08
sweden@invacare.com / www.invacare.se
finland@invacare.com

Switzerland:

Invacare AG, Benkenstrasse 260, CH-4108
Witterswil
Tel: (41) (0)61 487 70 80,
Fax: (41) (0)61 487 70 81
switzerland@invacare.com / www.invacare.ch

United Kingdom:

Invacare Limited, Pencoed Technology Park,
Pencoed, Bridgend CF35 5AQ
Switchboard Tel: (44) (0)1656 776200,
Fax: (44) (0)1656 776201
Customer services Tel: (44) (0)1656 776222,
Fax: (44) (0)1656 776220
UK@invacare.com / www.invacare.co.uk

Invacare®

Ident. no.: 1417427

Version: 16

Date: 01.2013

3rd party certified
according to
EN ISO 9001
EN ISO 13485

Manufacturer:

INVACARE Rea AB

Box 200
SE-343 75 Diö
Sweden