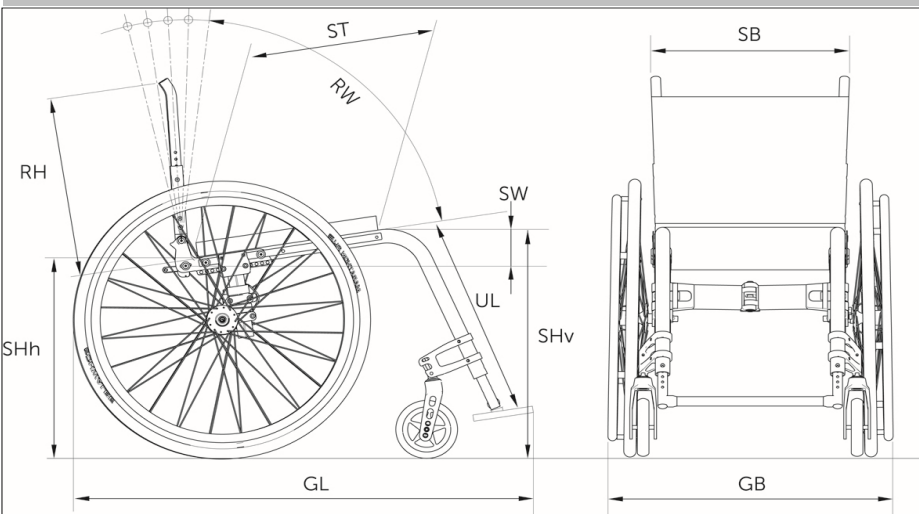


KÜSCHALL CHAMPION

Technical Sheet

Legenda misure



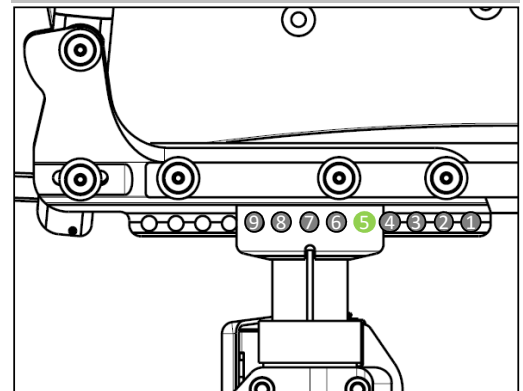
Posizionamento del poggiatesta in relazione all'angolo seduta e alle ruote anteriori

	seat angle	footplate front mounted					footplate back mounted						
		ST340 - ST380			ST400 - ST480		ST340 - ST380			ST400 - ST480			
		3"	4"	5"	3"	4"	5"	3"	4"	5"	3"	4"	5"
75° frame	0 mm	✓	✓	✓	✓	✓	✓	✓	✓	✓	✓	✓	✓
	10 mm	✓	✓	✓	✓	✓	✓	✓	✓	✓	✓	✓	✓
	20 mm	✓	✓	✓	✓	✓	✓	✓	✓	✓	✓	✓	✓
	30 mm	✓	✓	✓	✓	✓	✓	✓	✓	✓	✓	✓	✓
	40 mm	✓	✓	✓	✓	✓	✓	✓	✓	✓	✓	✓	✓
	50 mm	✓	✓	✓	✓	✓	✓	✓	✓	✓	✓	✓	✓
	60 mm	✓	✓	✓	✓	✓	✓	✓	✓	✓	✓	✓	✓
85° frame	30 mm	✓	✓	✓	✓	✓	✓	✓	✓	✓	✓	✓	✓
	40 mm	✓	✓	✓	✓	✓	✓	✓	✓	✓	✓	✓	✓
	50 mm	✓	✓	✓	✓	✓	✓	✓	✓	✓	✓	✓	✓
	60 mm	✓	✓	✓	✓	✓	✓	✓	✓	✓	✓	✓	✓
	70 mm	✓	✓	✓	✓	✓	✓	✓	✓	✓	✓	✓	✓
	80 mm	✓	✓	✓	✓	✓	✓	✓	✓	✓	✓	✓	✓
	90 mm	✓	✓	✓	✓	✓	✓	✓	✓	✓	✓	✓	✓

Altezza seduta anteriore in relazione al telaio e alle ruote anteriori

	SHv	long frame					short frame						
		ST340 - ST380			ST400 - ST480		ST340 - ST380			ST400 - ST480			
		3"	4"	5"	3"	4"	5"	3"	4"	5"	3"	4"	5"
75° frame	540 mm	✓	✓	✓	✓	✓	✓	✓	✓	✓	✓	✓	✓
	530 mm	✓	✓	✓	✓	✓	✓	✓	✓	✓	✓	✓	✓
	520 mm	✓	✓	✓	✓	✓	✓	✓	✓	✓	✓	✓	✓
	510 mm	✓	✓	✓	✓	✓	✓	✓	✓	✓	✓	✓	✓
	500 mm	✓	✓	✓	✓	✓	✓	✓	✓	✓	✓	✓	✓
	490 mm	✓	✓	✓	✓	✓	✓	✓	✓	✓	✓	✓	✓
	480 mm	✓	✓	✓	✓	✓	✓	✓	✓	✓	✓	✓	✓
85° frame	540 mm	✓	✓	✓	✓	✓	✓	✓	✓	✓	✓	✓	✓
	530 mm	✓	✓	✓	✓	✓	✓	✓	✓	✓	✓	✓	✓
	520 mm	✓	✓	✓	✓	✓	✓	✓	✓	✓	✓	✓	✓
	510 mm	✓	✓	✓	✓	✓	✓	✓	✓	✓	✓	✓	✓
	500 mm	✓	✓	✓	✓	✓	✓	✓	✓	✓	✓	✓	✓
	490 mm	✓	✓	✓	✓	✓	✓	✓	✓	✓	✓	✓	✓
	480 mm	✓	✓	✓	✓	✓	✓	✓	✓	✓	✓	✓	✓

Posizionamento dell'asse in relazione alla profondità seduta e freni



Wheel size	Active brake with 75° or 85° frame, straight	ST34-40	ST42	ST44-48
22"	1 to 9	1 to 9	1 to 9	1 to 9
24"	3 to 9	1 to 9	1 to 9	1 to 9
25"	4 to 9	2 to 9	1 to 9	1 to 9
26"	5 to 9	3 to 9	1 to 9	1 to 9

Wheel size	Active brake with 75° or 85° frame, tapered	ST34-40	ST42-48
22"	1 to 9	1 to 9	1 to 9
24"	1 to 9	1 to 9	1 to 9
25"	1 to 9	1 to 9	1 to 9
26"	2 to 9	1 to 9	1 to 9

Wheel size	Active brake with carbon frame				Wheel size	Performance brake with carbon frame				Wheel size	Performance brake with 75° or 85° frame, straight	
	ST40	ST42	ST44	ST46		ST40	ST42	ST44	ST46		ST34-40	ST42-48
22"	4 to 9	2 to 9	1 bis 9	1 bis 9	22"	2 to 9	1 bis 9	1 bis 9	1 bis 9	1 to 9	1 to 9	
24"	6 to 9	5 to 9	3 to 9	1 bis 9	24"	5 bis 9	3 bis 9	1 bis 9	1 bis 9	1 to 9	1 to 9	
25"	7 to 9	6 to 9	4 to 9	2 to 9	25"	6 bis 9	4 bis 9	2 bis 9	1 bis 9	1 to 9	1 to 9	
26"	8 to 9	6 to 9	5 to 9	3 to 9	26"	7 bis 9	5 bis 9	3 bis 9	2 to 9	1 to 9	1 to 9	