

# *Spare Parts Catalogue*

Version: 2010/08/24a EN



**Invacare® TDX-SP**



**Yes, you can.®**

## **General Information**

*For any order of spare parts the following information is required:*

- Product type*
- Product name & model*
- Serial Number*
- Part-Number*
- Part-Description*

*Exploded view drawings and code numbers are not contractual and subject to modification, in relation to Invacare® continuous product improvement policy to meet end users needs.*

*The reproduction or use of this work, or of any substantial part of this work, in any form or by any electronic, mechanical or other means, including photocopying, scanning and recording, and in any information storage and retrieval system, including electronic transmission, is forbidden without the prior written permission of Invacare® International Sarl.*



Yes, you can.®

## TABLE OF CONTENTS

---

### Information

User Manuals TDX-SP .....	7
User Manuals REM550 .....	8
User Manuals REM24SD .....	9
User Manuals Shark .....	10
User Manuals REM A & REM B .....	11
User Manuals G90 .....	12
User Manuals G91 .....	13
User Manuals IDC Dual Control .....	14
User Manuals REM41 Tray Control .....	15

### Chassis

Battery Box .....	16
Fender .....	17
Shrouds and Hardware .....	18

### Seat

Adaptersheets .....	19
Tiltmodule 30° .....	20
Lifter (incl. 28°-Tilt) .....	21
Manual Tilt/Tilt 50° .....	22
Seatplates .....	23
Seat Cushion .....	24

### Backrest

Backrest Flex Seat .....	25
Backrest adjustment Flex/Contour electric .....	26
Backrest Standard Seat .....	28
Backrest Recliner .....	29
Backrest / children .....	30

### Legrests / Hangers

Central Legrest .....	31
Bracket central legrest LNX & manuell .....	32
Central Legrest manual .....	33
Centre Legrest LNX .....	34
Vari F Hanger RH/LH .....	35
Vari A Hanger RH/LH 07.2005 ==> .....	36
ADM Hanger RH/LH manual .....	37
ADM Hanger RH/LH Electr. 07.2005 ==> .....	38
Legrest fixation .....	39

### Footrests / Support Tubes

Footplate flip up 01.08.10 ==> .....	40
Footplate flip up, angle-adjustable 01.08.10 ==> .....	41
Footplate .....	42
Footplate with support tube fix RH/LH .....	43
Footplate with support tube angle adjust. RH/LH .....	44



Yes, you can.®

## TABLE OF CONTENTS

---

Support Tube with Footplate for central Legrest .....	45
Footrest Lower Parts .....	46
<b>Siderests</b>	
sliding armrest .....	47
armrest standard .....	48
Armrests cpl. ....	49
<b>Front / Rear Wheel</b>	
Walking Beam .....	50
Rear Pivot Assembly .....	51
Rear Pivot Assembly (Mounting) .....	52
Cylinders, Locking Gas .....	53
Caster Front/Rear .....	54
<b>Centre (Driving) Wheel</b>	
Drive Wheels .....	55
<b>Propulsion</b>	
Motor & Gearbox .....	56
<b>Electronic</b>	
Powermodule ACS2 .....	57
ACT4 for ACS2 .....	58
Lightboard ACS2 .....	59
Shark Powermodule .....	60
G-Trac .....	61
Holder for G-Trac .....	62
<b>Control Units</b>	
Keypads Shark2 .....	63
Shark Remotes .....	64
Middle control REM41 .....	65
Remotes REM A & REM B & Holder .....	67
REM24SD Remote .....	68
G90 & Holder .....	69
G91 & Holder .....	70
Remote REM550 & Holder .....	71
IDC Dual Control .....	72
Chin Control .....	73
Dual Control .....	74
Remote Bracket For Attendant / Dual- Control .....	75
Holder .....	76
<b>Cable / Charger</b>	
Cable & Charger .....	77
Battery Tray Assembly and Wire Harnesses .....	78



**Yes, you can.®**

## **TABLE OF CONTENTS**

---

### **Safety Options**

Retaining Belts .....	79
Lights .....	80

### **Seat Options**

Seat cushions adults .....	81
Seat Cushion for Junior Seat .....	82
Backrest Cushions .....	83
Backrest Extension .....	84
Abduction Wedge .....	85
Trunk Support .....	86
Head- & Neckrests .....	87
Push Handle .....	88
Desk / children .....	89
Tray .....	90

### **Accessories & other Options**

Tray .....	91
Other Options .....	92
Bumper .....	93



CS ČESKY	FR FRANÇAIS	PL POLSKI
DA DANSK	HR HRVATSKI	PT PORTUGUÊS
DE DEUTSCH	HU MAGYAR	SK SLOVENČINA
EN ENGLISH	IT ITALIANO	SL SLOVENŠČINA
ES ESPAÑOL	LT LIETUVIŲ KALBA	SV SVENSKA
ET EESTI KEEL	NL NEDERLANDS	RO ROMÂNĂ
FI SUOMEN KIELI	NO NORSK	JA 日本語

Pos.	Part number	Description	Valid from → until	Qty
	DE 1521463	User Manual TDX-SP German		1
	EN 1521464	User Manual TDX-SP English		1
	FR 1522172	User Manual TDX-SP French		1
	IT 1522187	User Manual TDX-SP Italian		1
	ES 1522212	User Manual TDX-SP Spanish		1
	SV 1522687	User Manual TDX-SP Swedish		1
	CZ 1531137	User Manual TDX-SP Czech		1
	PL 1531138	User Manual TDX-SP Polish		1
	SL 1531139	User Manual TDX-SP Slovenian		1
	LT 1531140	User Manual TDX-SP Lithuanian		1
	DA 1537969	User Manual TDX-SP Dansk		1
	NO 1537970	User Manual TDX-SP Norwegian		1

## User Manuals REM550

CS	ČESKY	FR	FRANÇAIS	PL	POLSKI
DA	DANSK	HR	HRVATSKI	PT	PORTUGUÊS
DE	DEUTSCH	HU	MAGYAR	SK	SLOVENČINA
EN	ENGLISH	IT	ITALIANO	SL	SLOVENŠČINA
ES	ESPAÑOL	LT	LIETUVIŲ KALBA	SV	SVENSKA
ET	EESTI KEEL	NL	NEDERLANDS	RO	ROMÂNĂ
FI	SUOMEN KIELI	NO	NORSK	JA	日本語

Pos.	Part number	Description	Valid from → until	Qty
DA	1528088	User Manual REM550 Danish		1
DE	1528089	User Manual REM550 German		1
ES	1528091	User Manual REM550 Spanish		1
FI	1528092	User Manual REM550 Finsk		1
FR	1528093	User Manual REM550 French		1
IT	1528094	User Manual REM550 Italiano		1
NL	1528095	User Manual REM550 Dutch		1
NO	1528096	User Manual REM550 Norsk		1
PT	1528097	User Manual REM550 Portuguese		1
SV	1528098	User Manual REM550 Swedish		1



# User Manuals REM24SD

CS	ČESKY	FR	FRANÇAIS	PL	POLSKI
DA	DANSK	HR	HRVATSKI	PT	PORTUGUÊS
DE	DEUTSCH	HU	MAGYAR	SK	SLOVENČINA
EN	ENGLISH	IT	ITALIANO	SL	SLOVENŠČINA
ES	ESPAÑOL	LT	LIETUVIŲ KALBA	SV	SVENSKA
ET	EESTI KEEL	NL	NEDERLANDS	RO	ROMÂNĂ
FI	SUOMEN KIELI	NO	NORSK	JA	日本語

Pos.	Part number	Description	Valid from → until	Qty
DE	1436142	User Manual REM24SD German		1
FR	1436143	User Manual REM24SD French		1
EN	1436144	User Manual REM24SD English		1
SV	1436145	User Manual REM24SD Swedish		1
DA	1436146	User Manual REM24SD Danish		1
NO	1436147	User Manual REM24SD Norwegian		1
NL	1436148	User Manual REM24SD Dutch		1
ES	1436149	User Manual REM24SD Spanish		1
PT	1436150	User Manual REM24SD Portuguese		1
IT	1436385	User Manual REM24SD Italian		1
FI	1436386	User Manual REM24SD Finnish		1

# User Manuals Shark

CS ČESKY	FR FRANÇAIS	PL POLSKI
DA DANSK	HR HRVATSKI	PT PORTUGUÊS
DE DEUTSCH	HU MAGYAR	SK SLOVENČINA
EN ENGLISH	IT ITALIANO	SL SLOVENŠČINA
ES ESPAÑOL	LT LIETUVIŲ KALBA	SV SVENSKA
ET EESTI KEEL	NL NEDERLANDS	RO ROMÂNĂ
FI SUOMEN KIELI	NO NORSK	JA 日本語

Pos.	Part number	Description	Valid from → until	Qty
NL	1436157	User Manual Shark Dutch		1
SV	1436154	User Manual Shark Swedish		1
ES	1436158	User Manual Shark Spanish		1
DE	1436151	User Manual Shark German		1
IT	1436383	User Manual Shark Italian		1
PT	1436159	User Manual Shark Portuguese		1
DA	1436155	User Manual Shark Danish		1
FI	1436384	User Manual Shark Finnish		1
EN	1436153	User Manual Shark English		1
NO	1436156	User Manual Shark Norwegian		1
FR	1436152	User Manual Shark French		1
1	1436151	User Manual Shark German		1
2	1436153	User Manual Shark English		1
4	1436157	User Manual Shark Dutch		1
5	1436158	User Manual Shark Spanish		1
6	1436159	User Manual Shark Portuguese		1
9	1436156	User Manual Shark Norwegian		1
10	1436155	User Manual Shark Danish		1
11	1436383	User Manual Shark Italian		1
8	1436154	User Manual Shark Swedish		1

## User Manuals REM A & REM B

CS	ČESKY	FR	FRANÇAIS	PL	POLSKI
DA	DANSK	HR	HRVATSKI	PT	PORTUGUÊS
DE	DEUTSCH	HU	MAGYAR	SK	SLOVENČINA
EN	ENGLISH	IT	ITALIANO	SL	SLOVENŠČINA
ES	ESPAÑOL	LT	LIETUVIŲ KALBA	SV	SVENSKA
ET	EESTI KEEL	NL	NEDERLANDS	RO	ROMÂNĂ
FI	SUOMEN KIELI	NO	NORSK	JA	日本語

Pos.	Part number	Description	Valid from → until	Qty
DA	1529171	User Manual REM A & B Dansk		1
DE	1529172	User Manual REM A & B German		1
EN	1529173	User Manual REM A & B English		1
ES	1529174	User Manual REM A & B Spanish		1
FI	1529228	User Manual REM A & B Finsk		1
FR	1529229	User Manual REM A & B French		1
IT	1529230	User Manual REM A & B Italian		1
NL	1529231	User Manual REM A & B Dutch		1
NO	1529232	User Manual REM A & B Norsk		1
PT	1529233	User Manual REM A & B Portuguese		1
SV	1529234	User Manual REM A & B Swedish		1

## User Manuals G90

CS	ČESKY	FR	FRANÇAIS	PL	POLSKI
DA	DANSK	HR	HRVATSKI	PT	PORTUGUÊS
DE	DEUTSCH	HU	MAGYAR	SK	SLOVENČINA
EN	ENGLISH	IT	ITALIANO	SL	SLOVENŠČINA
ES	ESPAÑOL	LT	LIETUVIŲ KALBA	SV	SVENSKA
ET	EESTI KEEL	NL	NEDERLANDS	RO	ROMÂNĂ
FI	SUOMEN KIELI	NO	NORSK	JA	日本語

Pos.	Part number	Description	Valid from → until	Qty
EN	1523674	User Manual G90 English		1

**User Manuals G91**

CS	ČESKY	FR	FRANÇAIS	PL	POLSKI
DA	DANSK	HR	HRVATSKI	PT	PORTUGUÊS
DE	DEUTSCH	HU	MAGYAR	SK	SLOVENČINA
EN	ENGLISH	IT	ITALIANO	SL	SLOVENŠČINA
ES	ESPAÑOL	LT	LIETUVIŲ KALBA	SV	SVENSKA
ET	EESTI KEEL	NL	NEDERLANDS	RO	ROMÂNĂ
FI	SUOMEN KIELI	NO	NORSK	JA	日本語

Pos.	Part number	Description	Valid from → until	Qty
	DE 1536441	User Manual G91 German		1
	DA 1537929	User Manual G91 Danish		1
	NL 1537930	User Manual G91 Dutch		1
	EN 1537931	User Manual G91 English		1
	FI 1537932	User Manual G91 Finnish		1
	FR 1537933	User Manual G91 French		1
	IT 1537934	User Manual G91 Italian		1
	NO 1537935	User Manual G91 Norwegian		1
	PT 1537936	User Manual G91 Portuguese		1
	ES 1537937	User Manual G91 Spanish		1
	SV 1537938	User Manual G91 Swedish		1

## User Manuals IDC Dual Control

CS	ČESKY	FR	FRANÇAIS	PL	POLSKI
DA	DANSK	HR	HRVATSKI	PT	PORTUGUÊS
DE	DEUTSCH	HU	MAGYAR	SK	SLOVENČINA
EN	ENGLISH	IT	ITALIANO	SL	SLOVENŠČINA
ES	ESPAÑOL	LT	LIETUVIŲ KALBA	SV	SVENSKA
ET	EESTI KEEL	NL	NEDERLANDS	RO	ROMÂNĂ
FI	SUOMEN KIELI	NO	NORSK	JA	日本語

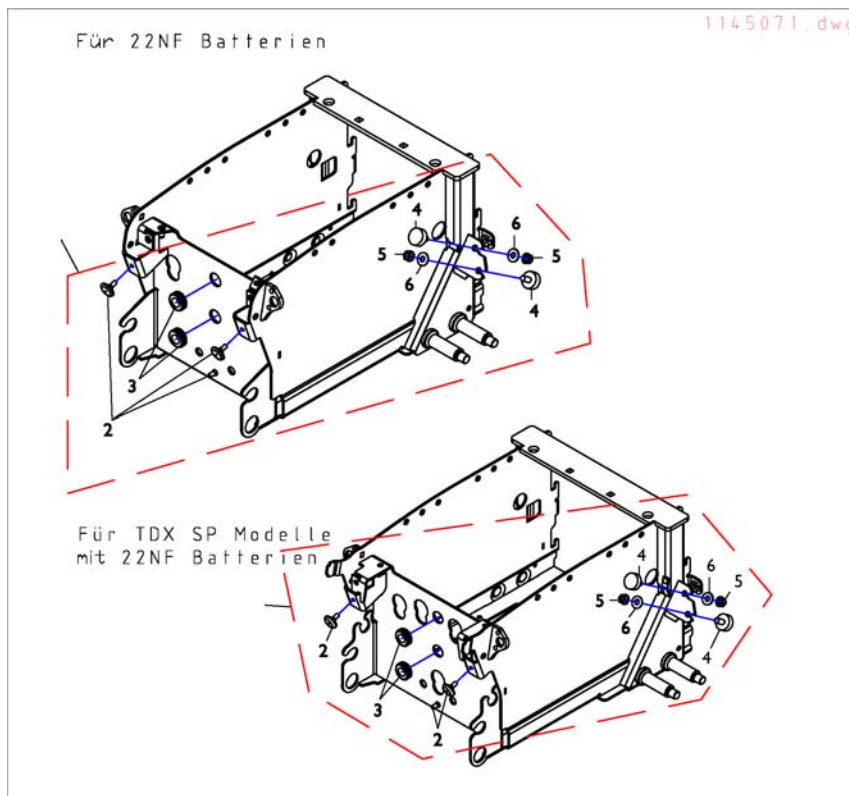
Pos.	Part number	Description	Valid from → until	Qty
DE	1521480	User Manual Dual-Control German		1
EN	1521481	User Manual Dual-Control English		1
FR	1521482	User Manual Dual-Control French		1
NL	1521483	User Manual Dual-Control Dutch		1
NO	1521484	User Manual Dual-Control Norwegian		1
SV	1521485	User Manual Dual-Control Swedish		1
DA	1521486	User Manual Dual-Control Danish		1
IT	1522252	User Manual Dual-Control Italian		1
PT	1522254	User Manual Dual-Control Portuguese		1
ES	1522255	User Manual Dual-Control Spanish		1

# User Manuals REM41 Tray Control

CS ČESKY	FR FRANÇAIS	PL POLSKI
DA DANSK	HR HRVATSKI	PT PORTUGUÊS
DE DEUTSCH	HU MAGYAR	SK SLOVENČINA
EN ENGLISH	IT ITALIANO	SL SLOVENŠČINA
ES ESPAÑOL	LT LIETUVIŲ KALBA	SV SVENSKA
ET EESTI KEEL	NL NEDERLANDS	RO ROMÂNĂ
FI SUOMEN KIELI	NO NORSK	JA 日本語

Pos.	Part number	Description	Valid from → until	Qty
DA	SP1538022	User Manual REM41 Tray Control Danish		1
EN	SP1538023	User Manual REM41 Tray Control English		1
ES	SP1538024	User Manual REM41 Tray Control Spanish		1
FR	SP1538025	User Manual REM41 Tray Control French		1
IT	SP1538026	User Manual REM41 Tray Control Italian		1
NL	SP1538027	User Manual REM41 Tray Control Dutch		1
NO	SP1538028	User Manual REM41 Tray Control Norwegian		1
PT	SP1538029	User Manual REM41 Tray Control Portuguese		1
SV	SP1538030	User Manual REM41 Tray Control Swedish		1
CS	SP1538031	User Manual REM41 Tray Control Czech		1
SL	SP1538032	User Manual REM41 Tray Control Slovenian		1
DE	SP1541402	User Manual REM41 Tray Control German		1

# Battery Box

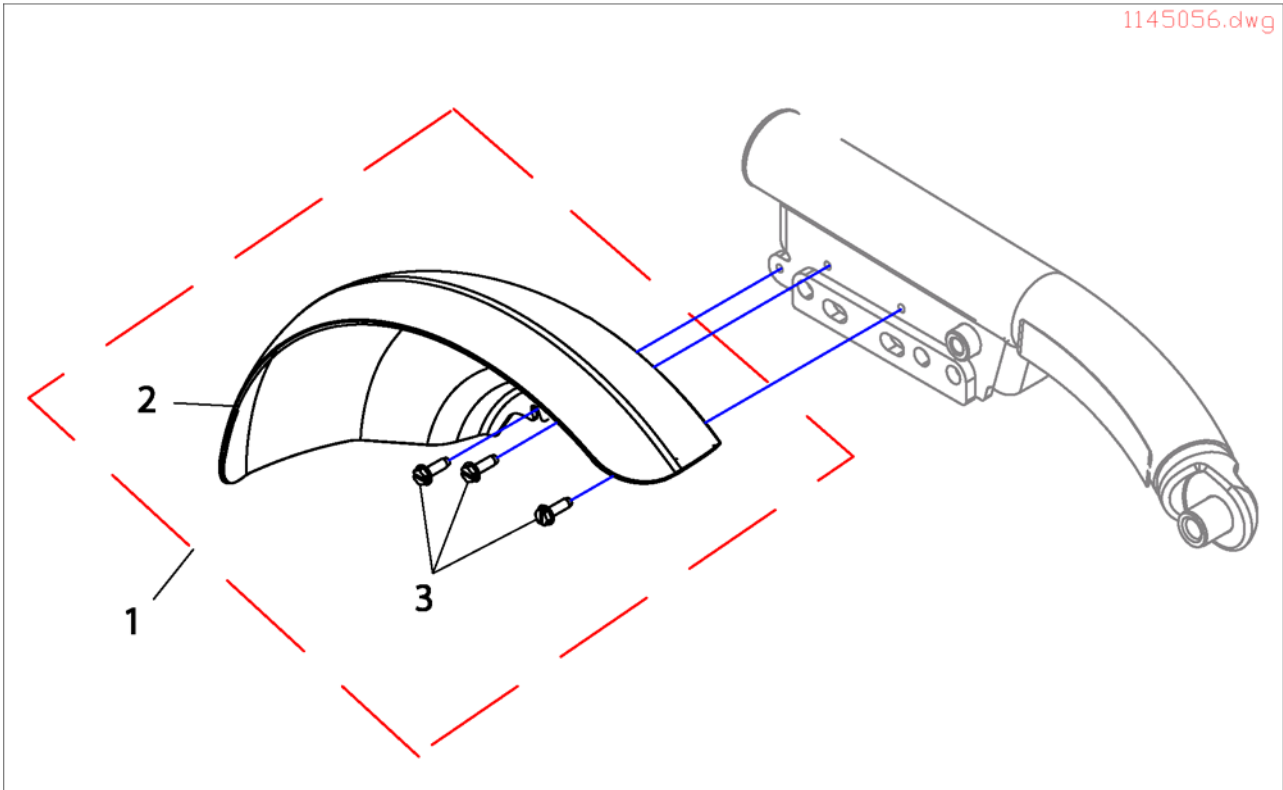


Pos.	Part number	Description	Valid from → until	Qty
1	SP1523179	Kit, Battery Box Rubber Bumper and Grommet Hardware		1
2	SP1523082	Bumper, Rubber (7/8" Dia. x3/16")		1
3	SP1523142	Grommet, Rubber (9/16 ID x11/16 OD x3/8")		1
4	SP1523018	Bumper, Rubber (1" Dia. x3/8")		1
5	SP1522968	Washer (5/16 x3/4 x1/16")		1
6	SP1523262	Nut, Keps (5/16-18)		1



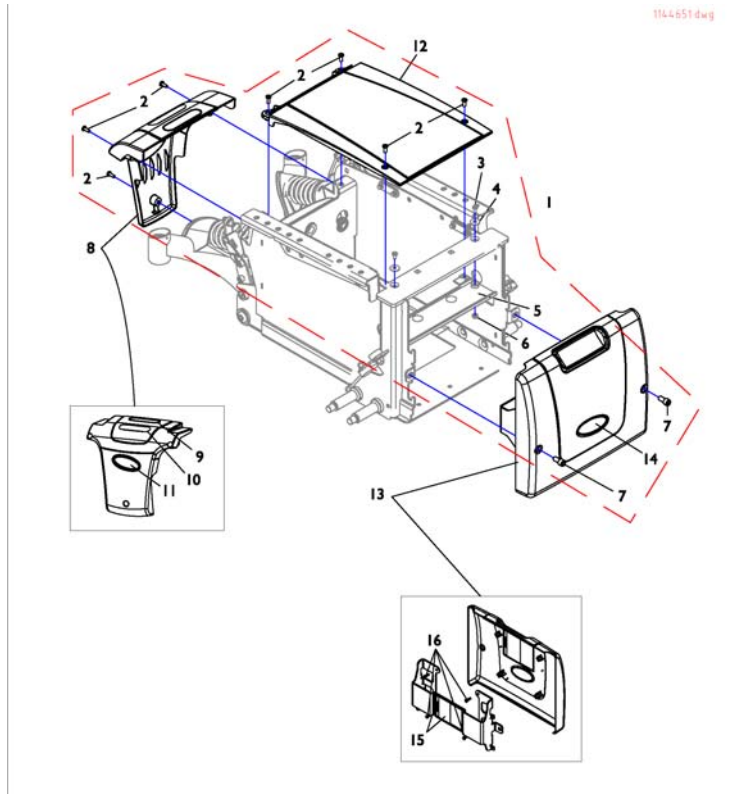
# Fender

1145056.dwg



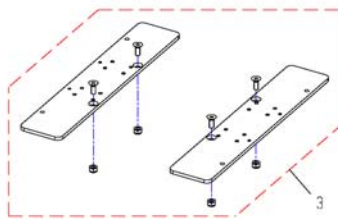
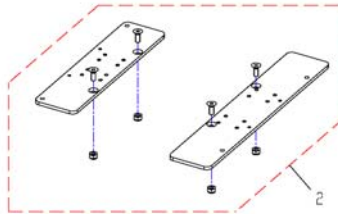
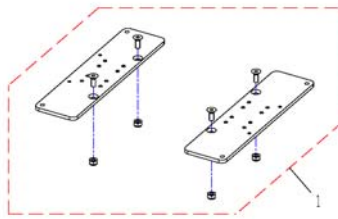
Pos.	Part number	Description	Valid from → until	Qty
1	SP1523170	Kit, Fender Assembly - Right		1
1	SP1523171	Kit, Fender Assembly - Left		1
2	SP1523090	Fender - Right		1
2	SP1523091	Fender - Left		1
3	1025451	Act.Tech Screw HexHead10-32		1

# Shrouds and Hardware



Pos.	Part number	Description	Valid from → until	Qty
1	SP1523187	Kit, Shroud Hardware (ForGP24/3-22NF Batteries)		1
2	1026114	VIS HD 10-32X1/2"PHILIPS		1
3	SP1523325	Screw, Phillips Pan Head (10-32 x1/2")		1
4	1026900	Washer .25 x .06		1
6	SP1522936	Locknut (10-32)		1
7	SP1522974	Screw, Socket Head Cap w/Patch (5/16-18 x5/8")		1
7	SP1536212	knurled screw 5/16"		1
8	SP1523154	Shroud w/Decal, Rear		1
8	SP1523155	Shroud, Rear w/Decal (TRRO/TRBKTS)		1
8	SP1523183	Shroud, Rear w/Decals (GP24/3-22NF Batteries) C Used For TRRO/TRBKTS Option		1
12	SP1523152	Shroud, Center		1
12	SP1523153	Shroud, Center (TRRO/TRBKTS)		1
12	SP1523182	Shroud, Center (GP24 Batteries) (For TRRO/TRBKTS Option Also)		1
13	SP1523189	Front Shroud and Bracket Assembly (ForGP24 Batteries)		1
15	SP1523190	Bracket w/Decal, Front Shroud (ForGP24 Batteries)		1
16	SP1523003	Screw, Phillips Head (8-16 x5/8")		1

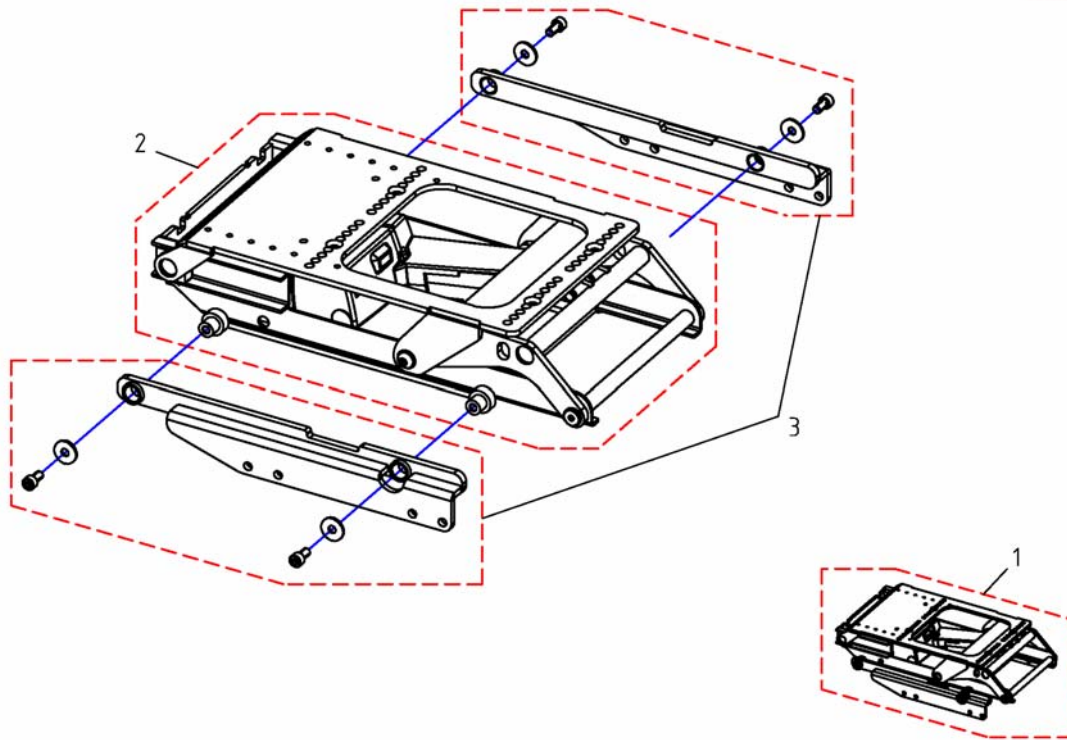
1534951X.dwg



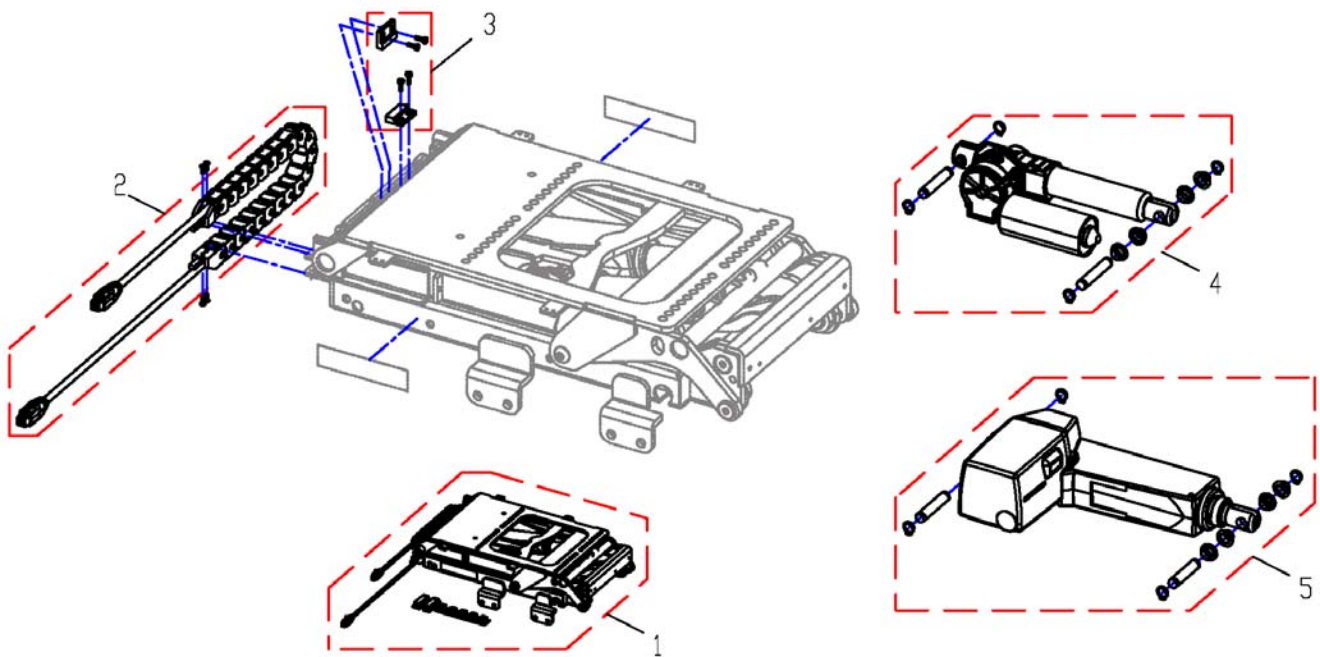
Pos.	Part number	Description	Valid from → until	Qty
1	SP1534951	Adaptersheet for tilt & lifter SW39		1
2	SP1534952	Adaptersheet for tilt & lifter SW44		1
3	SP1534953	Adaptersheet for tilt & lifter SW49		1

# Tiltmodule 30°

1534262X.dwg

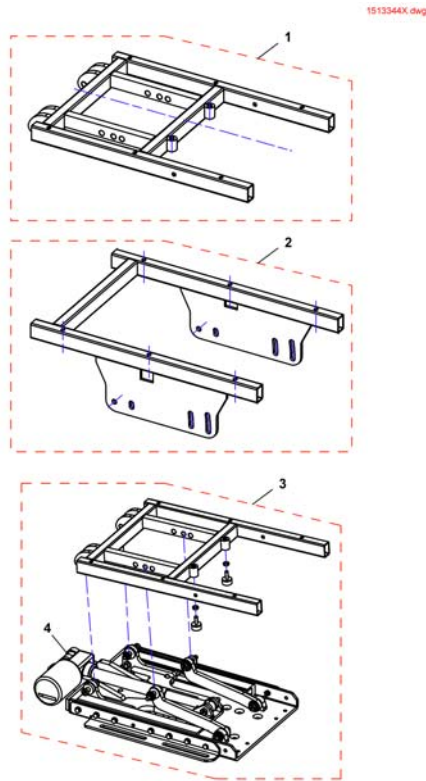


Pos.	Part number	Description	Valid from → until	Qty
1	SP1534262	Seattilt 0-30°, cpl.		1
2	SP1533063	Tiltunit 0-30°		1
3	SP1536176	Guiding rails, cpl.		1



Pos.	Part number	Description	Valid from → until	Qty
1	SP1534954	Lifter. incl. 28°-Tilt, cpl.		1
2	SP1535848	Cablecarrier with cable		1
3	SP1536184	Speedreduction sensor		1
4	SP1533557	Actuator tilt, cpl., ACS2		1
5	SP1533616	Lifter Actuator LINAK 31151R-1007514X		1

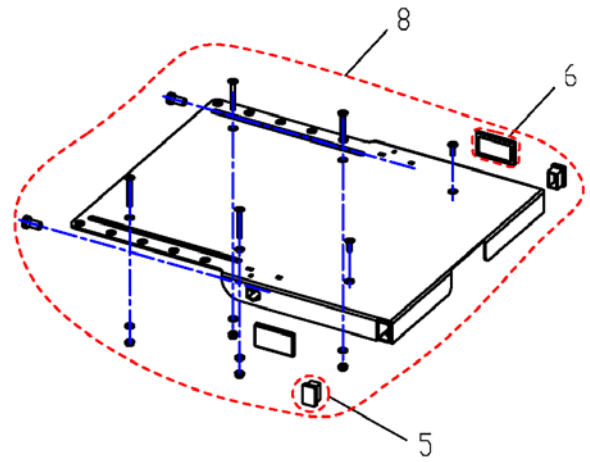
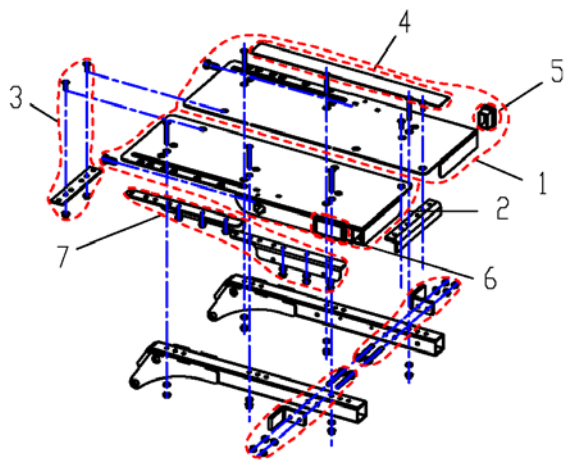
# Manual Tilt/Tilt 50°



Pos.	Part number	Description	Valid from → until	Qty
-	SP1535829	Mercury Switch for tilt up to 50°		1
1	SP1513344	Seatframe for Electric Tilt 50°		1
2	SP1513657	Seatframe for Manual Tilt		1
3	SP1528314	CG-Tilt TDX-SP with Seatframe		1
4	SP1143801	Tilt-Actuator		1

# Seatplates

1420459X.dwg



Kontour



Flex

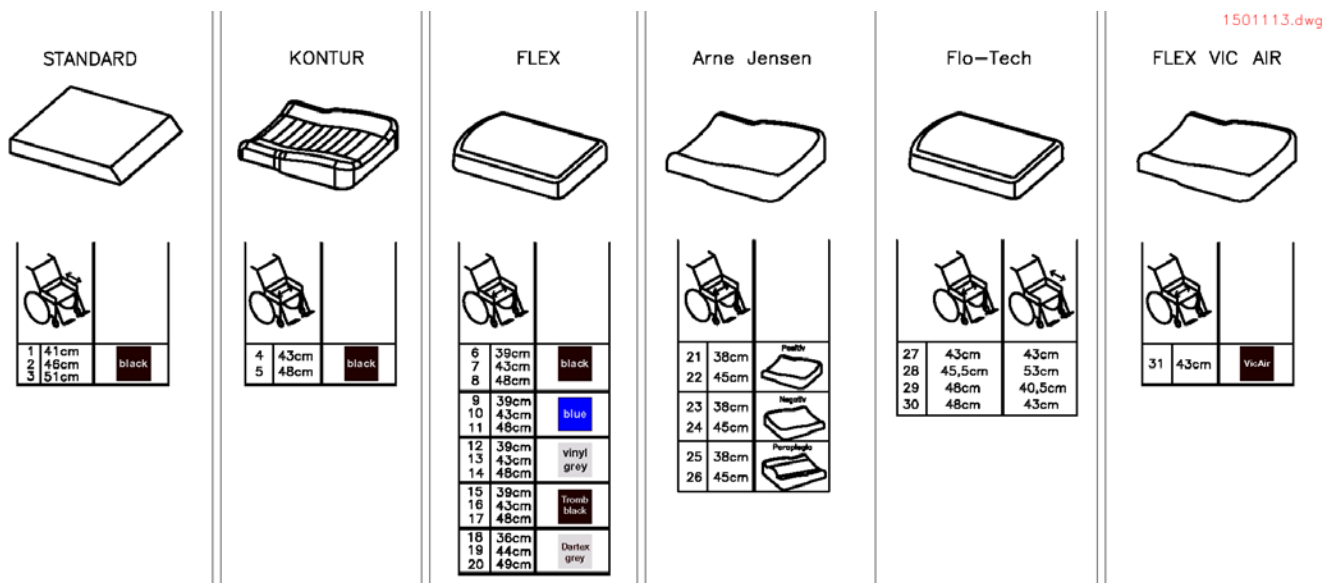


Standard



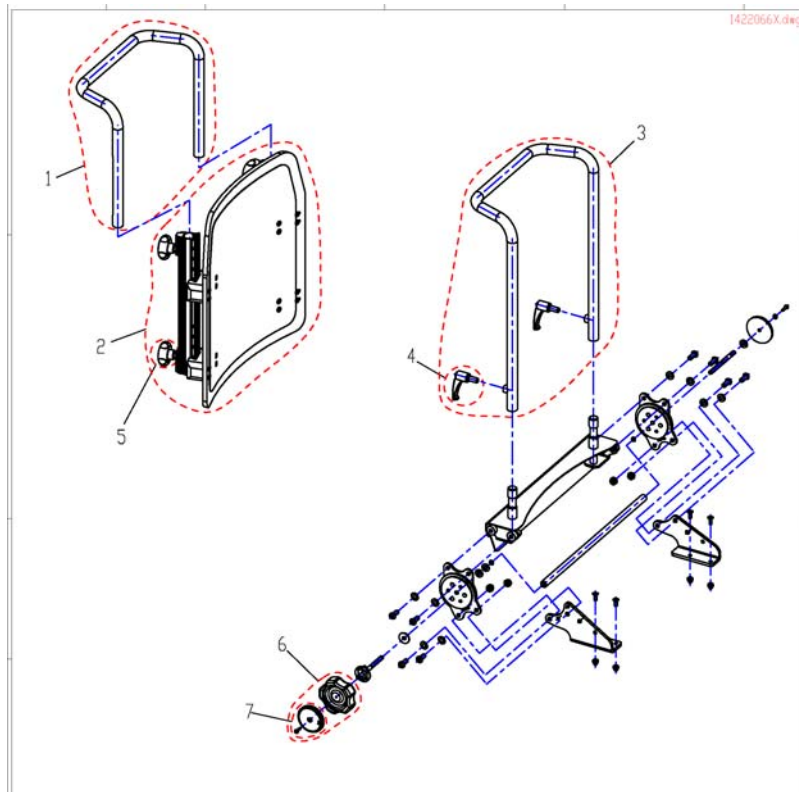
Pos.	Part number	Description	Valid from → until	Qty
1	SP1420458	Seat Plate LH		1
2	SP1420457	Seat Plate RH		1
3	SP1420496	Joining Plate		1
4	SPU21087	Velcro		1
5	SPL01060	Darning		1
6	SPP31298	Reflector, yellow		1
7	1510637	Stiffing Kit		1
8	SP1440623	mounting kit Seat Plate		1

# Seat Cushion



Pos.	Part number	Description	Valid from → until	Qty
1	1420460	Cushion Standard SD 41cm		1
2	1420461	Cushion Standard SD 46cm		1
3	1420462	Cushion Standard SD 51cm		1
4	1422072	Cushion Contour SW43cm, black		1
5	1422074	Cushion Contour SW48cm, black		1
6	1436561	Cushion Flex SW39cm, black		1
7	1436562	Cushion Flex SW43cm, black		1
8	1436563	Cushion Flex SW48cm, black		1
9	1422529	Cushion Flex SW39cm, blue		1
10	1422530	Cushion Flex SW43cm, blue		1
11	1422532	Cushion Flex SW48cm, blue		1
12	5314542	Seat Cushion SW 39cm, grey vinyl		1
13	1422939	Cushion Flex SW43cm, grey vinyl		1
14	1422940	Cushion Flex SW48cm, grey vinyl		1
15	5252582-TR98	Seat cushion TROMB ZON 98 SW36		1
16	5252583-TR98	Seat cushion TROMB ZON 98 SW41		1
17	5252584-TR98	Seat cushion TROMB ZON 98 SW46		1
18	1508053	CUSHION FLOSHAPE 355X535 TR23		1
19	1428090	Cushion Flex SW43cm, grey Dartex (Bris)		1
20	1428091	Cushion Flex SW48cm, grey Dartex (Bris)		1
21	1419632	Seat Cushion positive, SW 38cm, black		1
22	5313953	Seat Cushion positive, SW 45cm, black		1
23	1419633	Seat Cushion negative, SW 38cm, black		1
24	5313958	Seat Cushion negative, SW 45cm, black		1
25	1419634	Seat Cushion paraplegic, SW 38cm, black		1
26	5313962	Seat Cushion paraplegic, SW 45cm, black		1
27	SP1501113	Seat Cushion Flo-tech Contur Visco 43x43cm		1
28	SP1500993	Seat Cushion Flo-tech Contur Visco 45.5x53cm		1
29	SP1501116	Seat Cushion Flo-tech Contur Visco 48x40.5cm		1
30	SP1501117	Seat Cushion Flo-tech Contur Visco 48x43cm		1
31	1422531	Cushion Flex SW43cm, VIC AIR		1

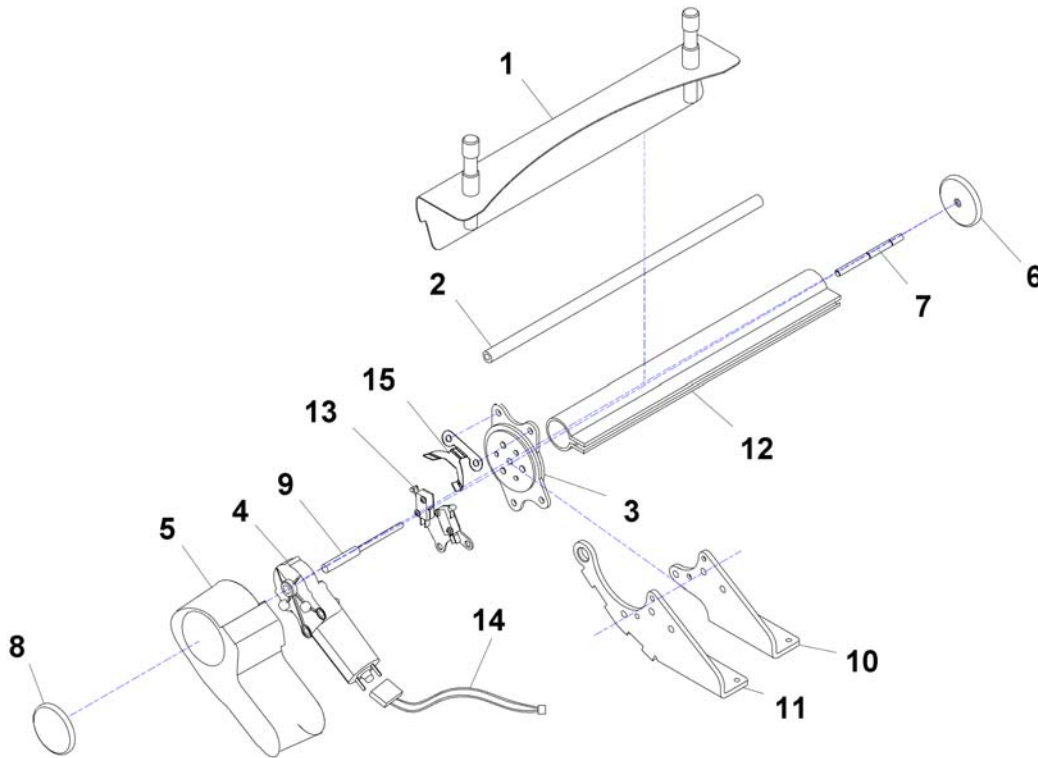




Pos.	Part number	Description	Valid from → until	Qty
1	SP1425840	Backrest Frame Contour SW 39cm		1
1	SP1425839	Push Handle Flex SW 43/48cm		1
2	SP1422126	Backrest Flex SB 39cm without Upholstery cpl.		1
2	SP1422125	Backrest Flex SB 48cm without Upholstery cpl.		1
2	SP1422124	Backrest Flex SB 43cm without Upholstery cpl.		1
3	SP1422070	Backframe Contur, Seatwidth 43/48cm, cpl.		1
4	L31996	Lever M10x20		1
5	SP5253088	Pressure Screw		1
6	SP1420483	Hand Wheel, cpl.		1
7	SP1421696	Reflector cpl.		1

# Backrest adjustment Flex/Contour electric

1440456X.dwg



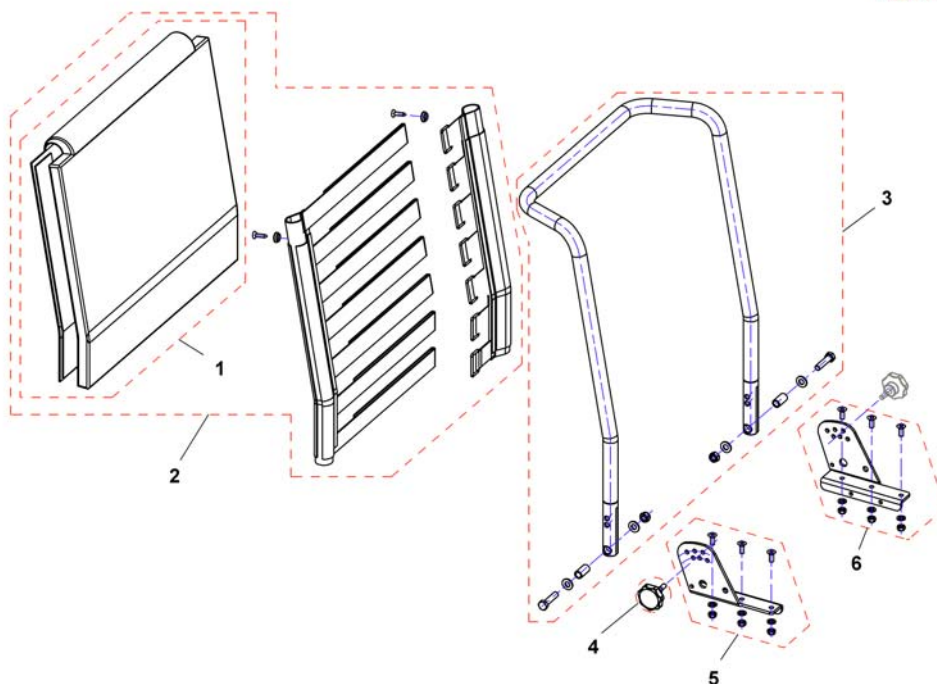
Pos.	Part number	Description	Valid from → until	Qty
-	SP1529386	Part not for sale		1
	SP1440408	ELECTRICAL BACK ADJUSTER, SEAT WIDTH 43CM, FOR SLIDING ARMRESTS, CPL.		1
	SP1423210	BACKREST ADJUSTMENT ASSEMBLY KIT		1
	SP1440406	ELECTRICAL BACK ADJUSTER, SEAT WIDTH 48CM, CPL.		1
	SP1440409	ELECTRICAL BACK ADJUSTER, SEAT WIDTH 48CM, FOR SLIDING ARMRESTS, CPL.		1
	SP1440410	ELECTRICAL BACK ADJUSTER, SEAT WIDTH 39CM, FOR SLIDING ARMRESTS, CPL.		1
	SP1440405	ELECTRICAL BACK ADJUSTER, SEAT WIDTH 43CM, CPL.		1
	SP1440407	ELECTRICAL BACK ADJUSTER, SEAT WIDTH 39CM, CPL.		1
1	1422112-9005	BACKREST BRACKET 480 MM		1
1	1422119-9005	BACKREST BRACKET 390 MM		1
1	1419992-9005	BACKREST BRACKET 430 MM		1
2	1420490	CONNECTING TUBE 430 MM		1
2	1420489	CONNECTING TUBE 380 MM		1
2	1420491	CONNECTING TUBE 480 MM		1
3	SP1423211	SEAT BRACE ELECTRIC BACKREST, 1 PAIR		1
4	1420475	GEAR MOTOR GMPG		1
5	1420998	MOTOR CAP		1
6	1421696	PERFORATED REFLECTOR, YELLOW		1
7	1420488-0002	SUPPORT SHAFT		1
8	1420482	REFLECTOR		1
9	1420487-0002	MOTOR SHAFT		1
10	1421708-9005	BRACE BRACKET ELECTRICAL, RH		1
10	1420477-9005	BRACE BRACKET MANUAL/ELECTRICAL LH		1
11	1429564-9005	FITTING ATTACHMENT LH F. SLIDING ARMREST		1
11	1429563-9005	FITTING ATTACHMENT RH F. SLIDING ARMREST		1
12	1442579	PROTECTIVE COVERING 480MM		1
12	1442578	PROTECTIVE COVERING 430MM		1
12	1442577	PROTECTIVE COVERING 380MM		1

**Backrest adjustment Flex/Contour electric**

<b>Pos.</b>	<b>Part number</b>	<b>Description</b>	<b>Valid from → until</b>	<b>Qty</b>
13	SP1440711	TWO MICRO SWITCHES WITH ASSEMBLY SHEET METAL, PRE-ASSEMBLED		1
14	1440726	ACTUATORCABLE RECLINER ACS2 / SHARK		1
15	1440456-0003	SWITCHING OFF SHEET METAL BACK		1

# Backrest Standard Seat

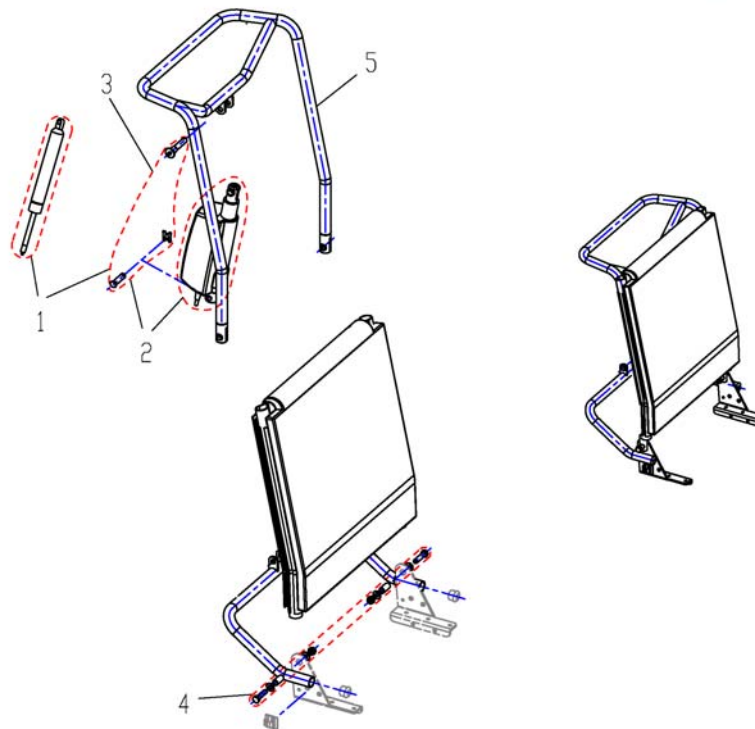
1422061X.dwg



Pos.	Part number	Description	Valid from → until	Qty
1	1420445	Backrest cushion 48cm height		1
1	1420446	Backrest Fixation 54cm height		1
2	1422062	Sling Back with removable cushion 480 mm		1
2	1422063	Sling Back with removable cushion 540 mm		1
3	SP1419996	Backrest Frame 48cm height		1
3	SP1420465	Backrest Frame 54cm height		1
4	SP1420444	Star Grip M8 cpl.		1
5	SP1541567	Backresttube bracket RH		1
6	SP1541568	Backresttube bracket LH		1

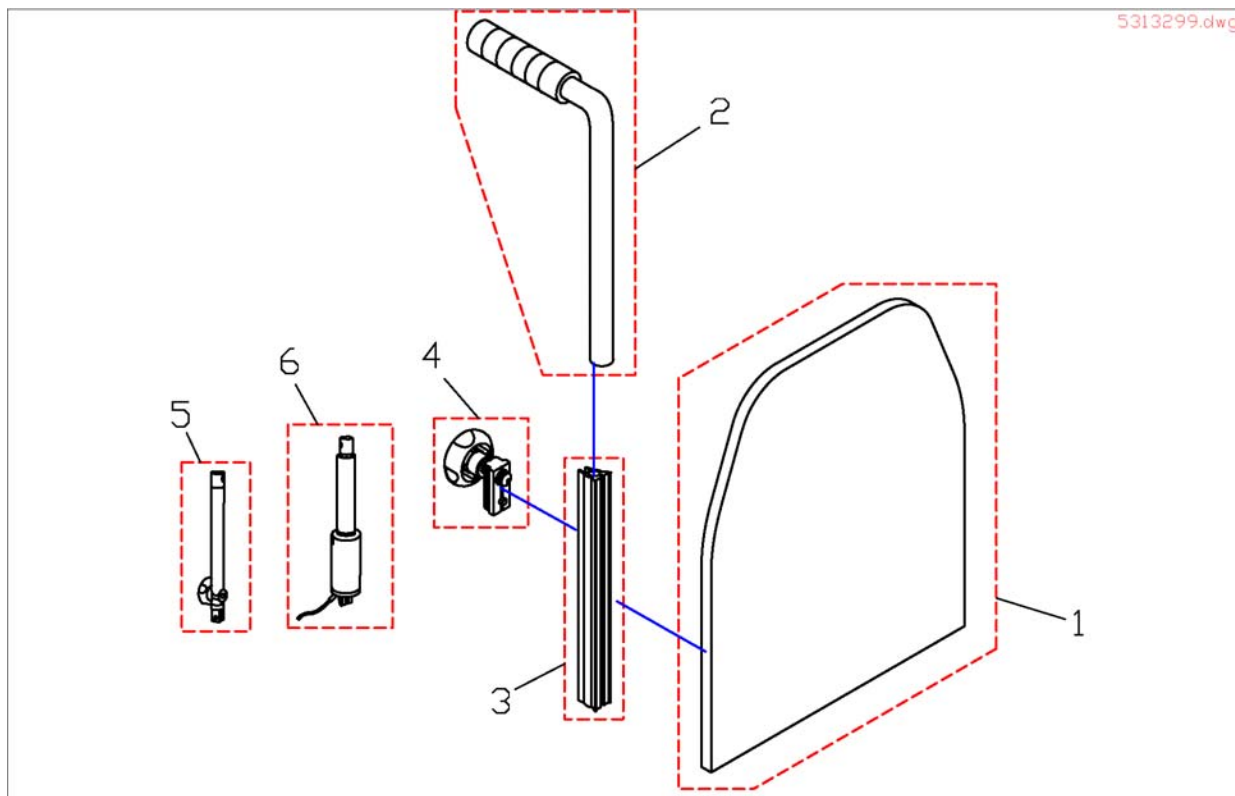
# Backrest Recliner

1443270X.dwg



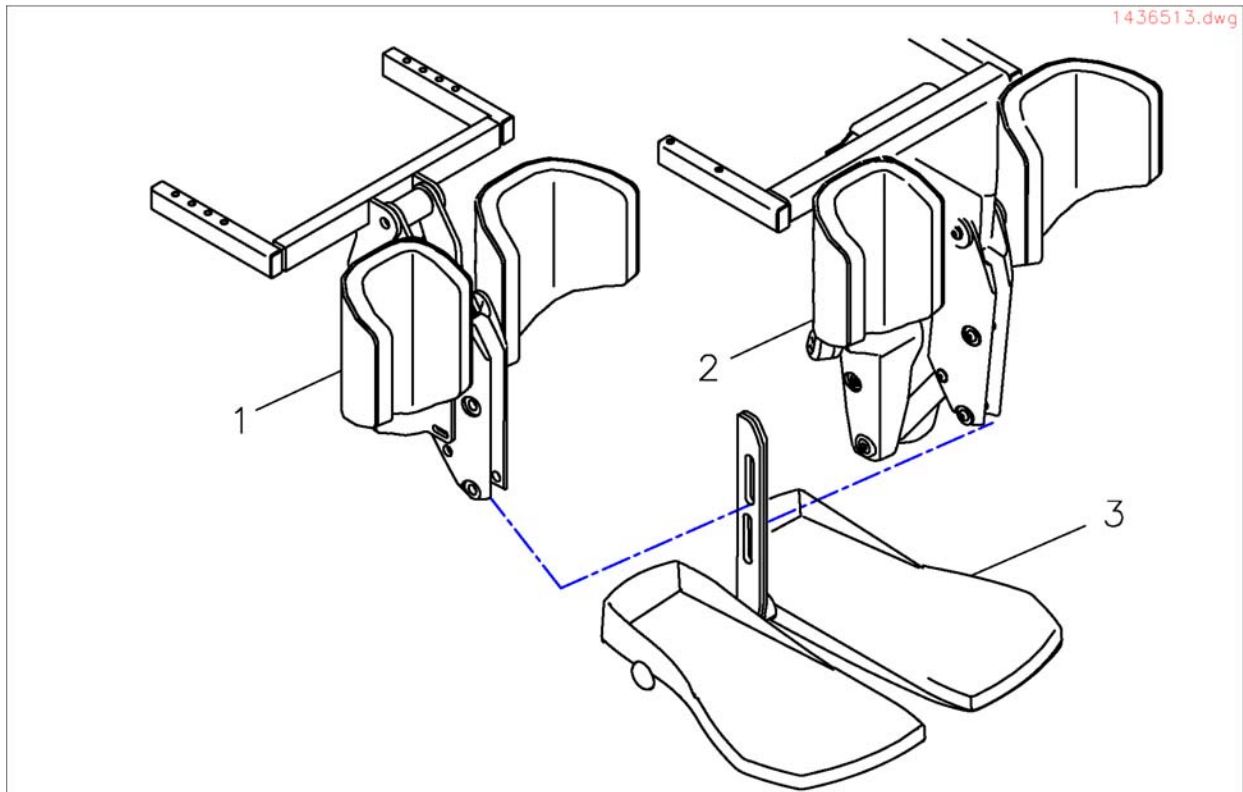
Pos.	Part number	Description	Valid from → until	Qty
1	SPN368007	Gas Pressure Spring cpl.		1
2	SP1446520	Actuator ACS2 / Shark		1
3	SPF368016.99	Fixation kit		1
4	SPF00002	Fixation kit		1
5	1442866-9005	Back Tube Standard, Back Height 54 cm, Infinitely Adjustable		1

## Backrest / children



Pos.	Part number	Description	Valid from → until	Qty
1	5313162	BACKREST PLATE SB 35		1
1	5313136	BACK PLATE 30 cm		1
1	5313188	BACKREST PLATE SB 38		1
2	SP1524672	Push Handle (single one)		1
3	5252204	BACKREST BAR		1
4	5253088	LOCKING DEVICE CPL		1
5	5313220	BACKREST ADJUSTMENT MANUAL		1
5	SP1445030	MANUAL BACKREST ADJUSTMENT WITH MOUNTING KIT		1
6	SP1445029	ELECTRICAL BACKREST ADJUSTMENT WITH MOUNTING KIT		1
6	5316008	MOTOR (ACS)		1

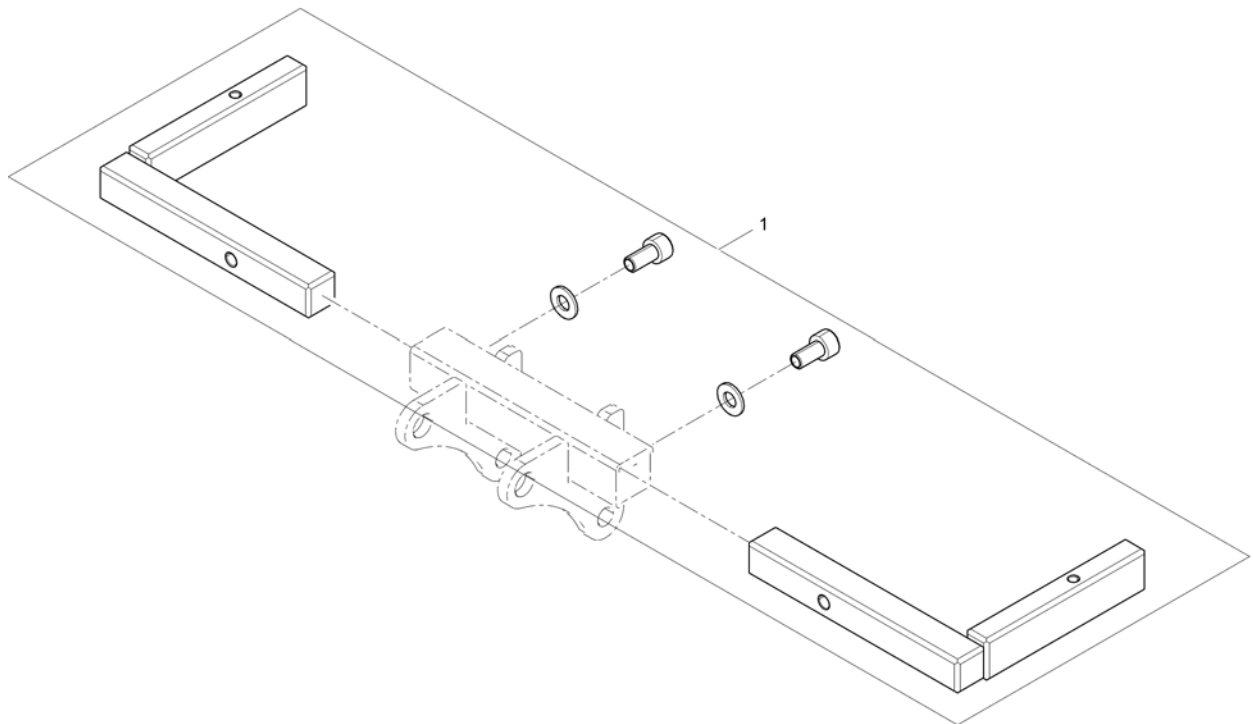
## Central Legrest



Pos.	Part number	Description	Valid from → until	Qty
1	SP1436512	Centre Hanger, manual, cpl.		1
2	SP1440413	CENTRAL HANGER 90°, ELECTRICAL, COMPLETE		1
3	SP1440292	Central Lower Legrest, large (44-50cm), cpl.		1
3	SP1440291	Central Lower Legrest, medium (38-44cm), cpl.		1
3	SP1440290	Central Lower Legrest, small (32-38cm), cpl.		1

# Bracket central legrest LNX & manuell

1541573X.iso

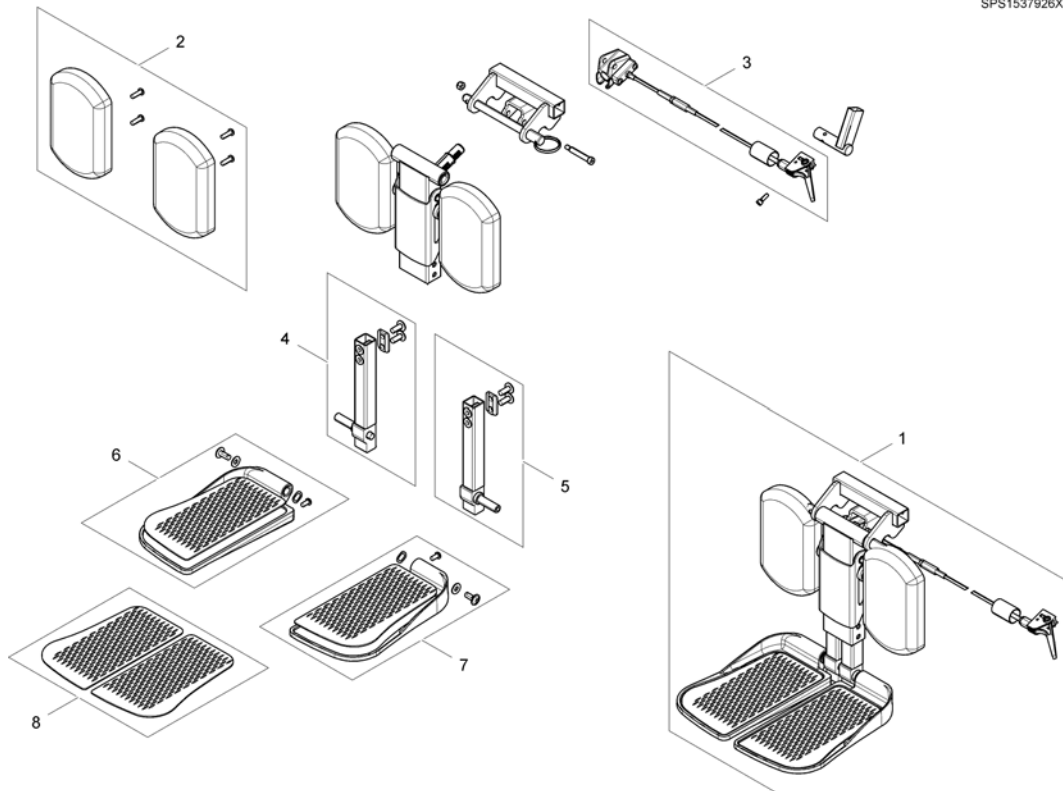


Pos.	Part number	Description	Valid from → until	Qty
	SP1543042	Bracket central legrest LNX & manuell		1



# Central Legrest manual

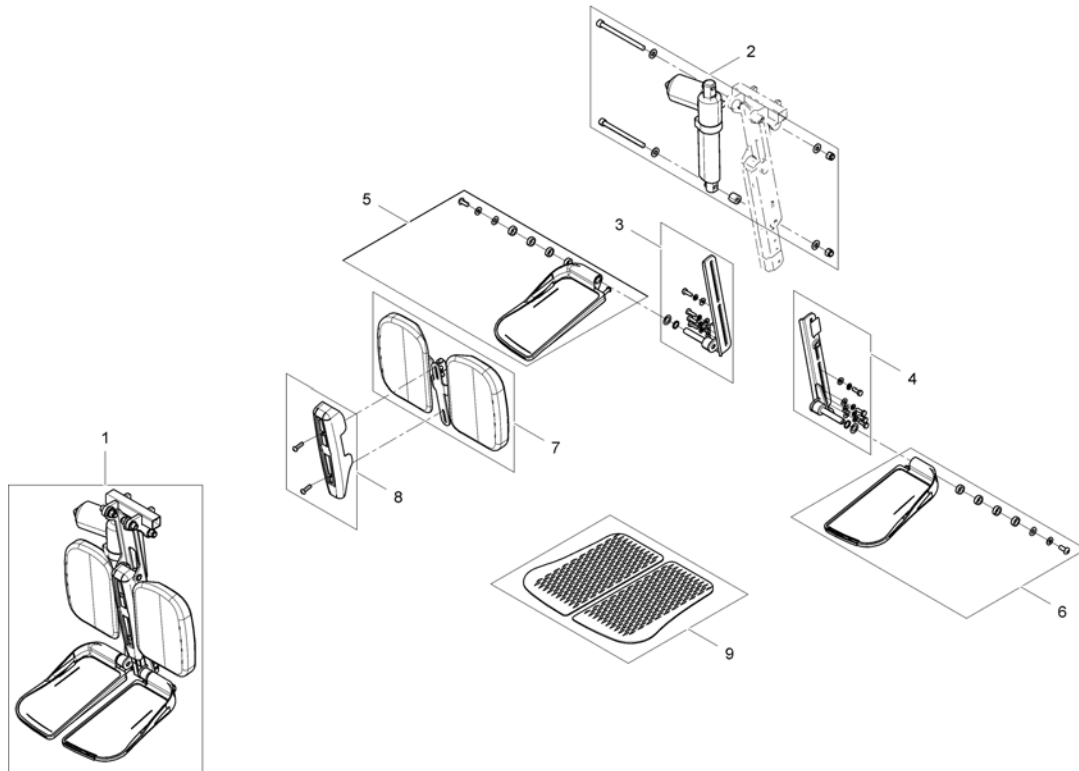
SPS1537926X



Pos.	Part number	Description	Valid from → until	Qty
1	SP1537926	Central Legrest manual, cpl.		1
2	SP1163373	Calplates (pair)		1
3	SP1121079	Bowden cable central legrest, manual		1
4	SP1161986	Kit, extension tube, cpl. RH		1
5	SP1161987	Kit, extension tube, cpl. LH		1
6	SP1161990	Footplate, cpl. RH		1
7	SP1161991	Footplate, cpl. LH		1
8	SP1163375	Footrest pad (pair)		1

# Centre Legrest LNX

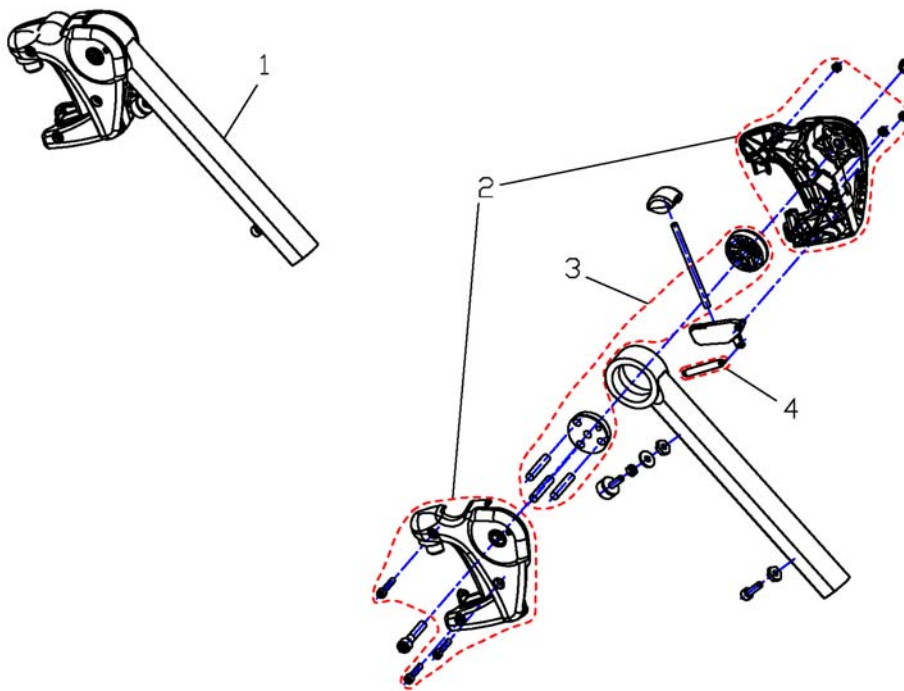
1543031X.iso



Pos.	Part number	Description	Valid from → until	Qty
1	SP1537489	Legrest LNX, cpl.		1
2	SP1543031	Actuator, cpl.		1
3	SP1543035	Footplate mount, RH		1
4	SP1543034	Footplate mount, LH		1
5	SP1543037	Footplate, RH		1
6	SP1543036	Footplate, LH		1
7	SP1543033	Calfplates		1
8	SP1543032	Cover		1
9	SP1163375	Footrest pad (pair)		1

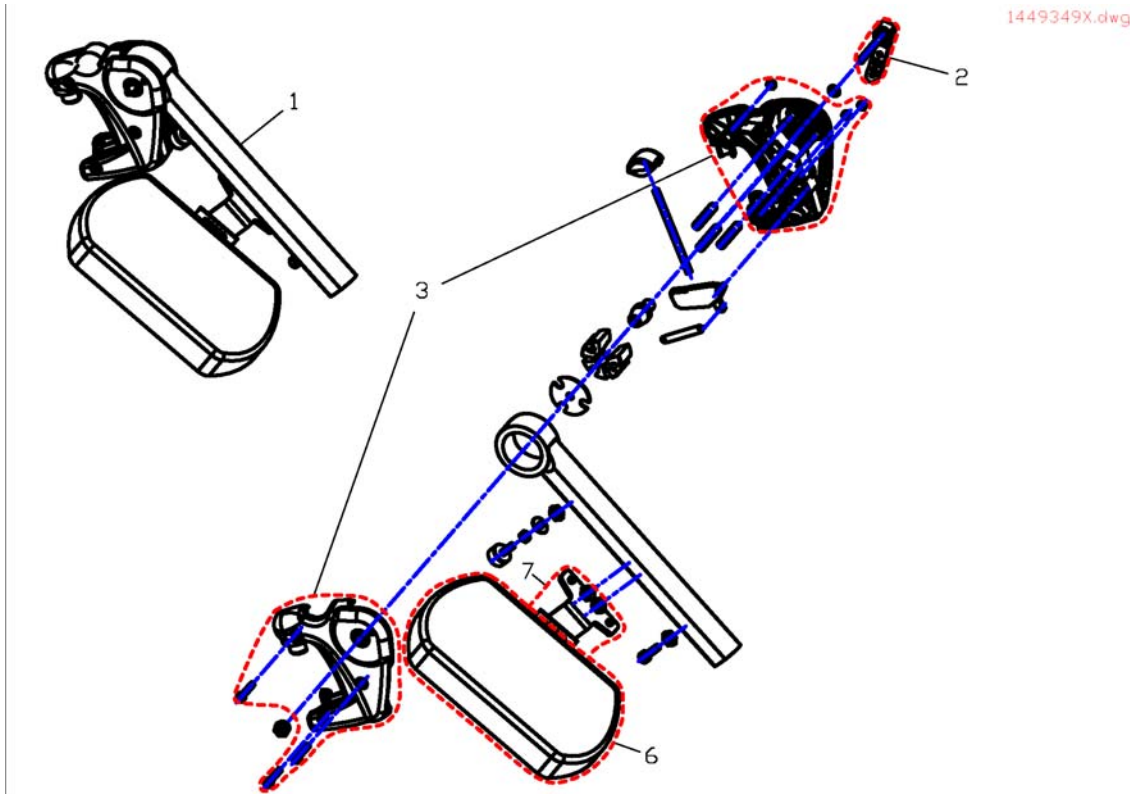
# Vari F Hanger RH/LH

1449347X.dwg



Pos.	Part number	Description	Valid from → until	Qty
1	SP1449347	Hanger Vari F LH cpl.		1
1	SP1449346	Hanger Vari F RH cpl.		1
2	SP1434955	Cover Legrest cpl.		1
3	1434956	Mechanic		1
4	SPZ173178	Spring		1

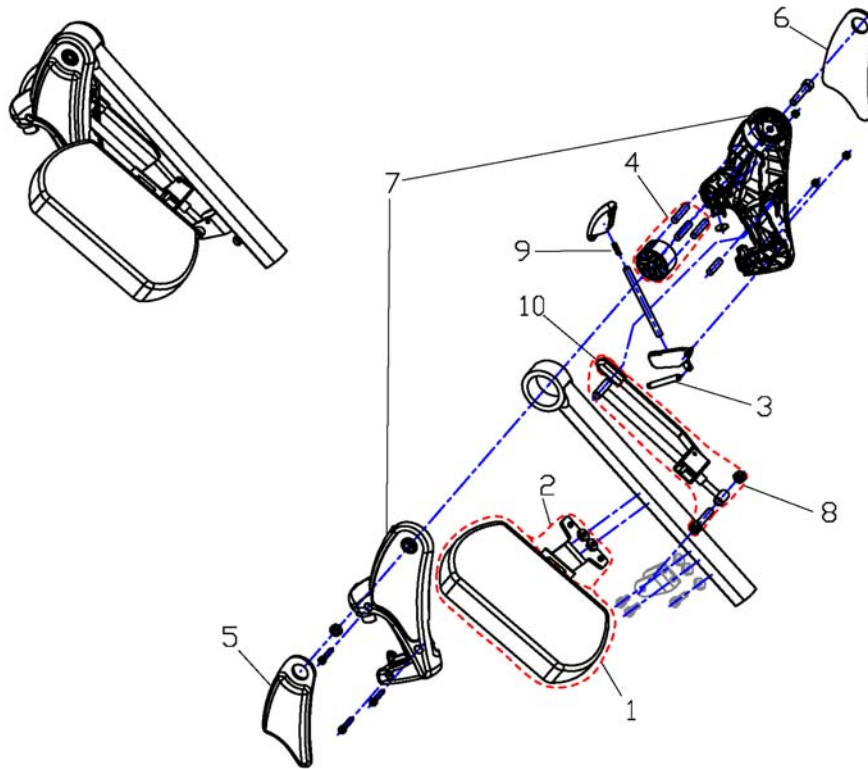
# Vari A Hanger RH/LH 07.2005 ==>



Pos.	Part number	Description	Valid from → until	Qty
-	SP1527820	Rework-Kit VariA-Legrest Version 1 ==> Version 2	→ 20090401	1
1	SP1449348	Hanger Vari A RH cpl.		1
1	SP1449349	Hanger Vari A LH cpl.		1
2	SPL32906	Excentric Clamping Lever		1
3	SP1434955	Cover Legrest cpl.		1
6	6301333	Legrest Calf Panel		1
7	SP1450447	Calf Pad Holder Left Turnable, cpl.		1
7	SP1450446	Calf Pad Holder Right Turnable, cpl.		1

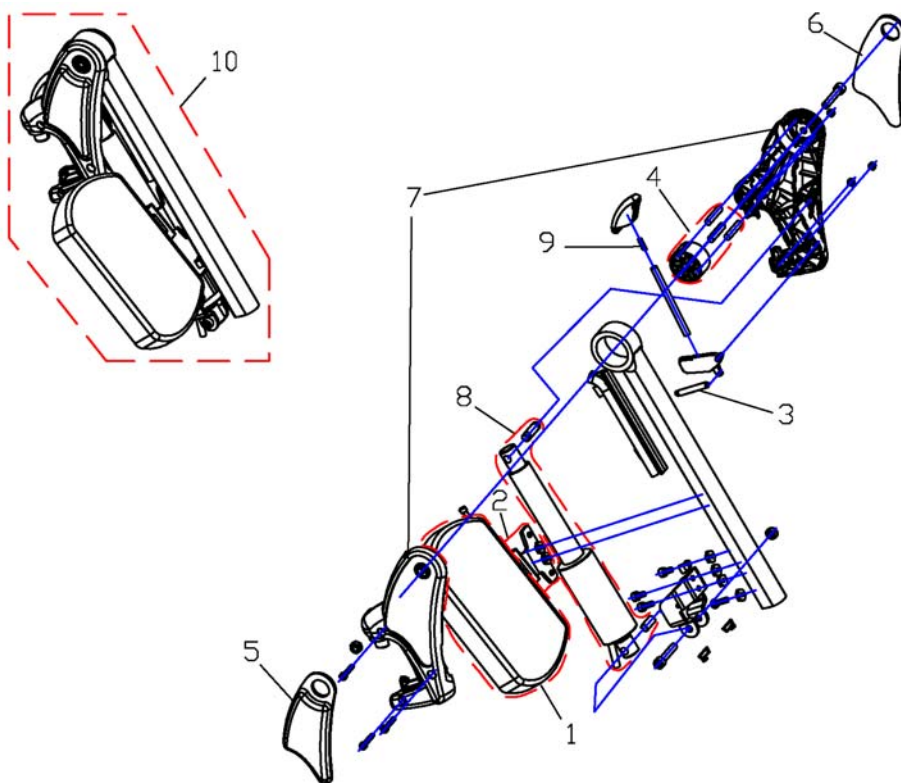
# ADM Hanger RH/LH manual

1449409X.dwg



Pos.	Part number	Description	Valid from → until	Qty
1	6301333	Legrest Calf Panel		1
2	SP1450447	Calf Pad Holder Left Turnable, cpl.		1
2	SP1450446	Calf Pad Holder Right Turnable, cpl.		1
3	SPZ173178	Spring		1
4	SPZ174134	Floating Cylinder With Pin		1
5	SP1450410	Knee Upholstery LH		1
6	SP1450448	Knee Upholstery RH		1
7	SP1449293	Ad-Cover cpl.		1
8	SPZ174130	ADM Adjustment mechanism cpl.		1
9	SPN12196	Spring		1
10	SP1006490	Cap for tripping lever		1
11	SP1449410	Hanger ADM RH cpl.		1
11	SP1449409	Hanger ADM LH cpl.		1

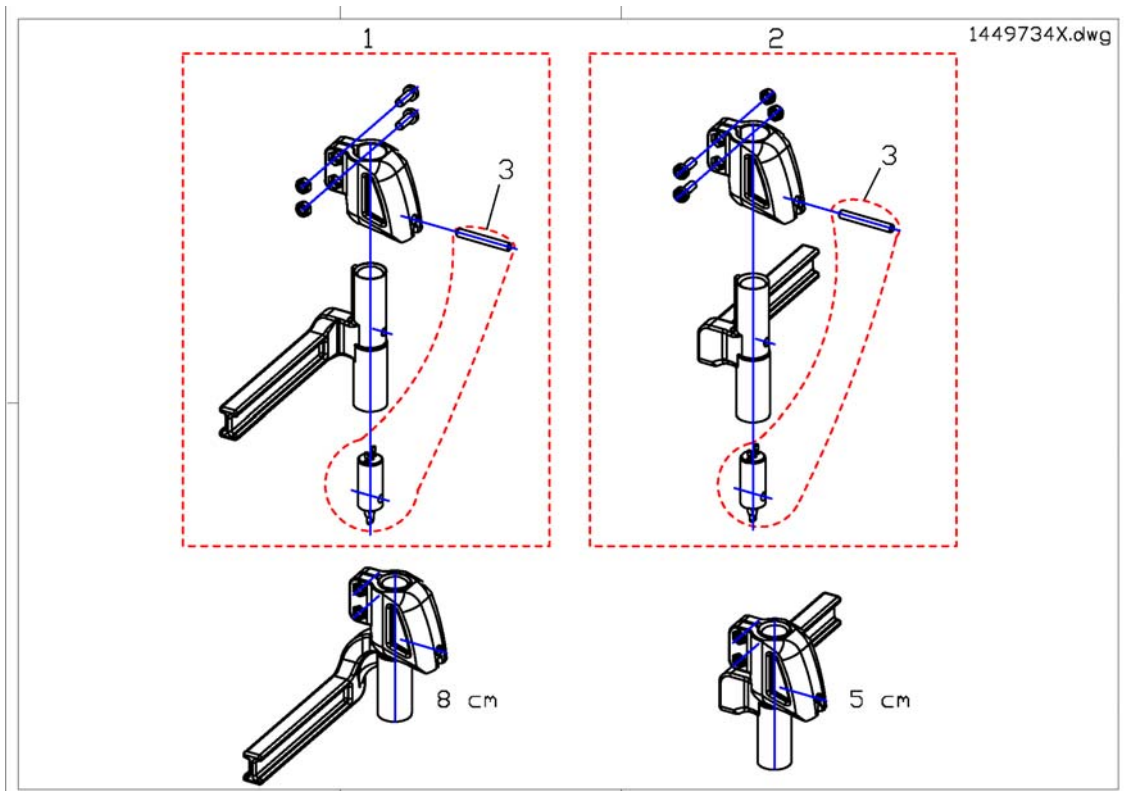
# ADM Hanger RH/LH Electr. 07.2005 ==>



1449407X.dwg

Pos.	Part number	Description	Valid from → until	Qty
1	6301333	Legrest Calf Panel		1
2	SP1450446	Calf Pad Holder Right Turnable, cpl.		1
2	SP1450447	Calf Pad Holder Left Turnable, cpl.		1
3	SPZ173178	Spring		1
4	SPZ174134	Floating Cylinder With Pin		1
5	SP1450410	Knee Upholstery LH		1
6	SP1450448	Knee Upholstery RH		1
7	SP1449293	Ad-Cover cpl.		1
8	SPZ151006	Actuator With Circuit Board, Preassembled		1
9	SPN12196	Spring		1
10	SP1449408	Hanger ADP RH cpl.		1
10	SP1449407	Hanger ADP LH cpl.		1

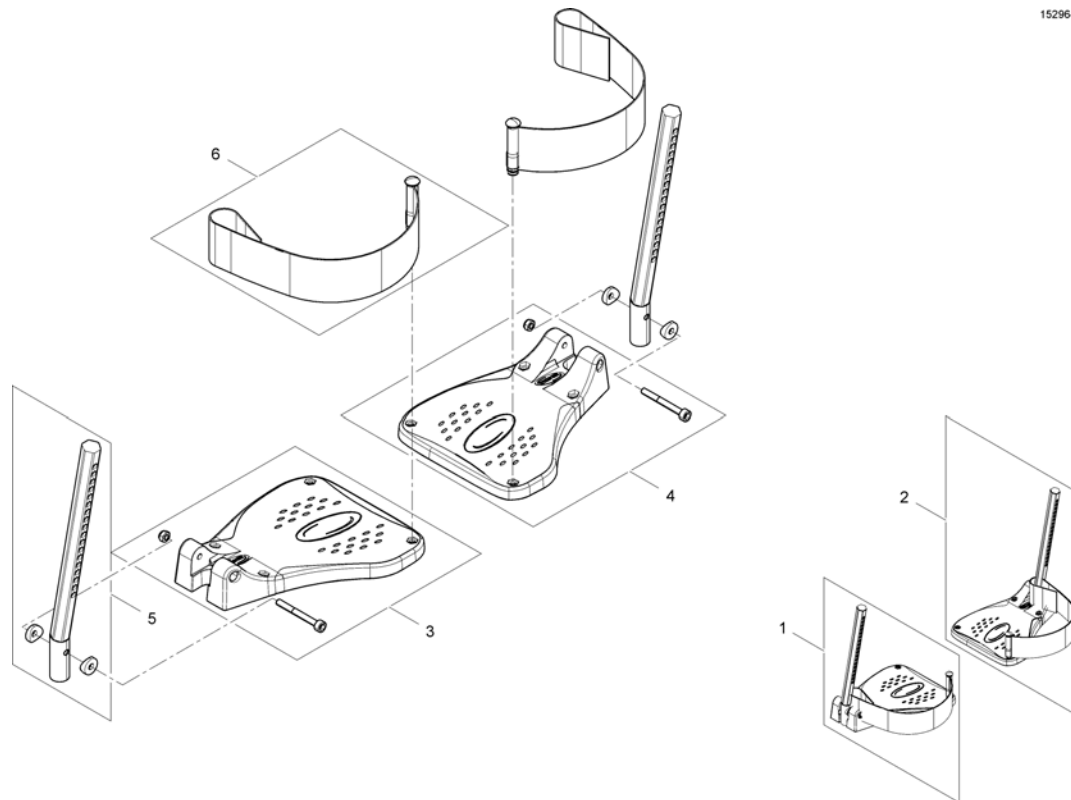
## Legrest fixation



Pos.	Part number	Description	Valid from → until	Qty
1	SP1449733	Footrest/Legrest receptacle, manuell, LH, 5cm		1
1	SP1449737	Footrest/Legrest receptacle, manuell, LH, 8cm		1
1	SP1449735	Footrest/Legrest receptacle, powered, LH, 5cm		1
1	SP1449739	Footrest/Legrest receptacle, powered, LH, 8cm		1
1	SP1529951	Footrest/Legrest receptacle, powered, LH, 5cm <i>For TDX-SP with lifter</i>		1
1	SP1535937	Footrest/Legrest receptacle, powered, LH, 8cm <i>For TDX-SP with lifter</i>		1
2	SP1449732	Footrest/Legrest receptacle, manuell, RH, 5cm		1
2	SP1449736	Footrest/Legrest receptacle, manuell, RH, 8cm		1
2	SP1449734	Footrest/Legrest receptacle, powered, RH, 5cm		1
2	SP1449738	Footrest/Legrest receptacle, powered, RH, 8cm		1
2	SP1529949	Footrest/Legrest receptacle, powered, RH, 5cm <i>For TDX-SP with lifter</i>		1
2	SP1535856	Footrest/Legrest receptacle, powered, RH, 8cm <i>For TDX-SP with lifter</i>		1
3	SP1450228	Legrest Cable		1

# Footplate flip up 01.08.10 ==>

1529644X.iso

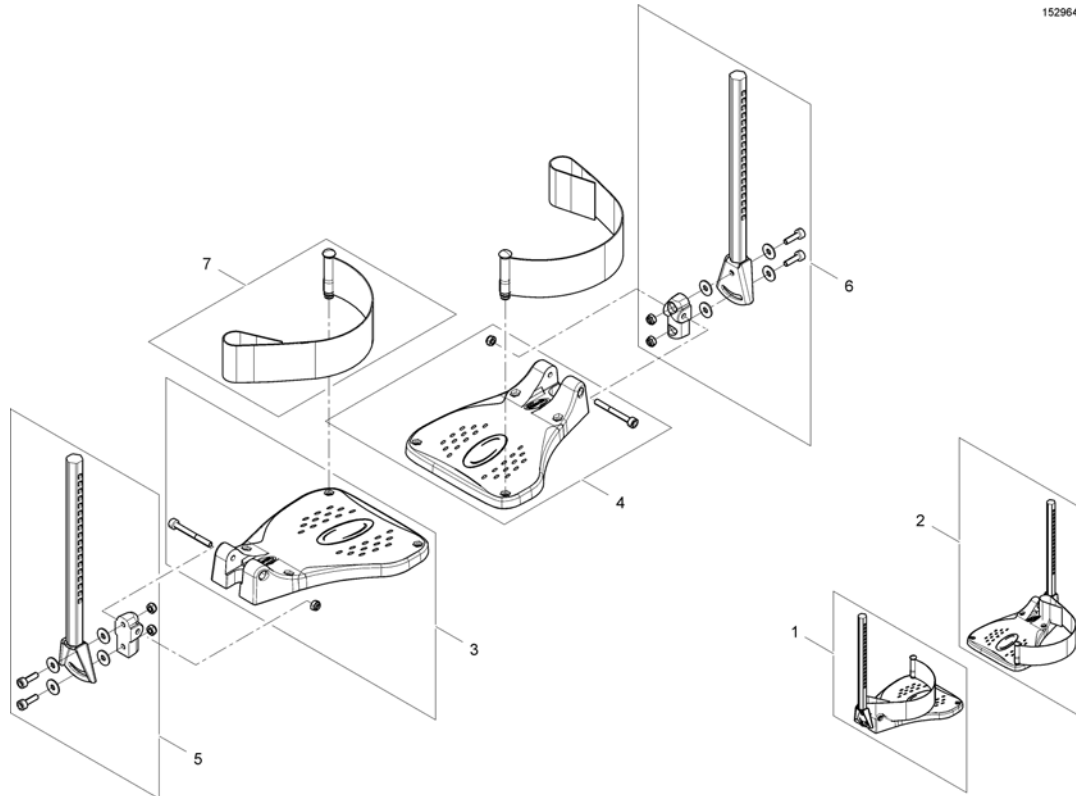


Pos.	Part number	Description	Valid from → until	Qty
1	SP1541575	Footplate flip up, LH, cpl.		1
2	SP1541574	Footplate flip up, RH, cpl.		1
3	SP1529645	FOOTPLATE LH		1
4	SP1529644	FOOTPLATE RH		1
5	SP1543045	Plug-in tube		1
6	SP1423202	HEEL STRAP CPL.		1



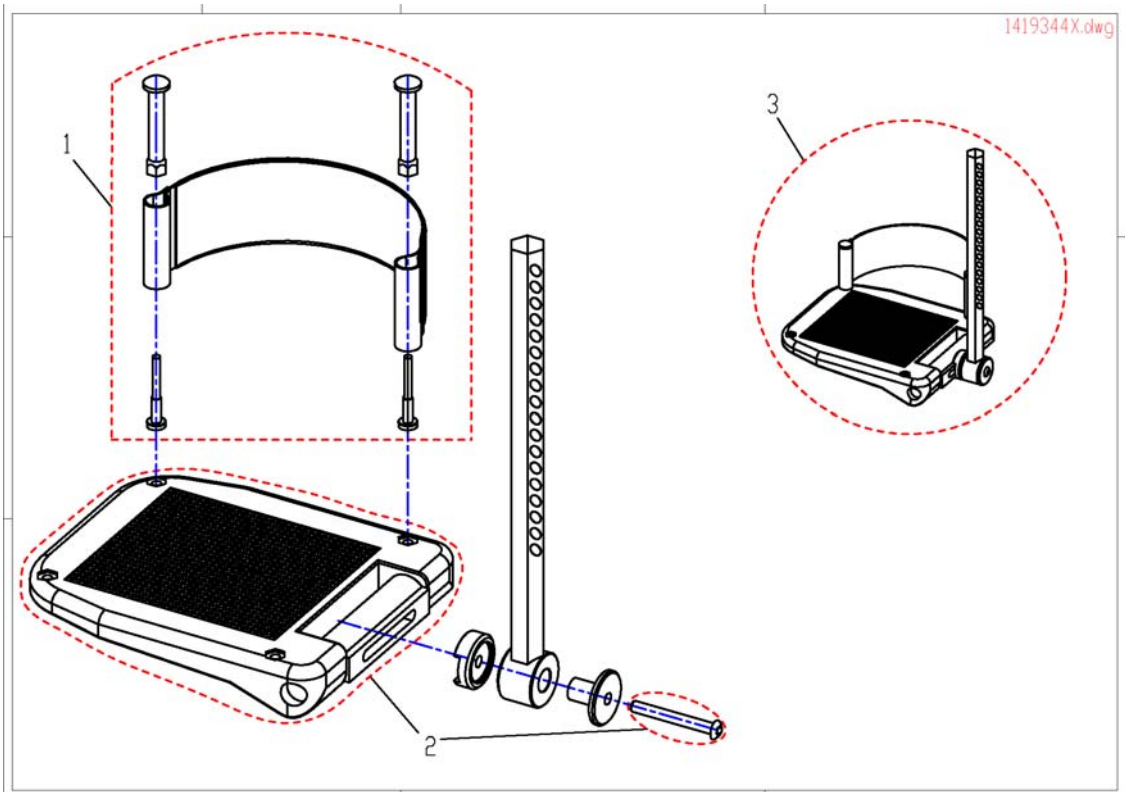
# Footplate flip up, angle-adjustable 01.08.10 ==>

1529645X.iso



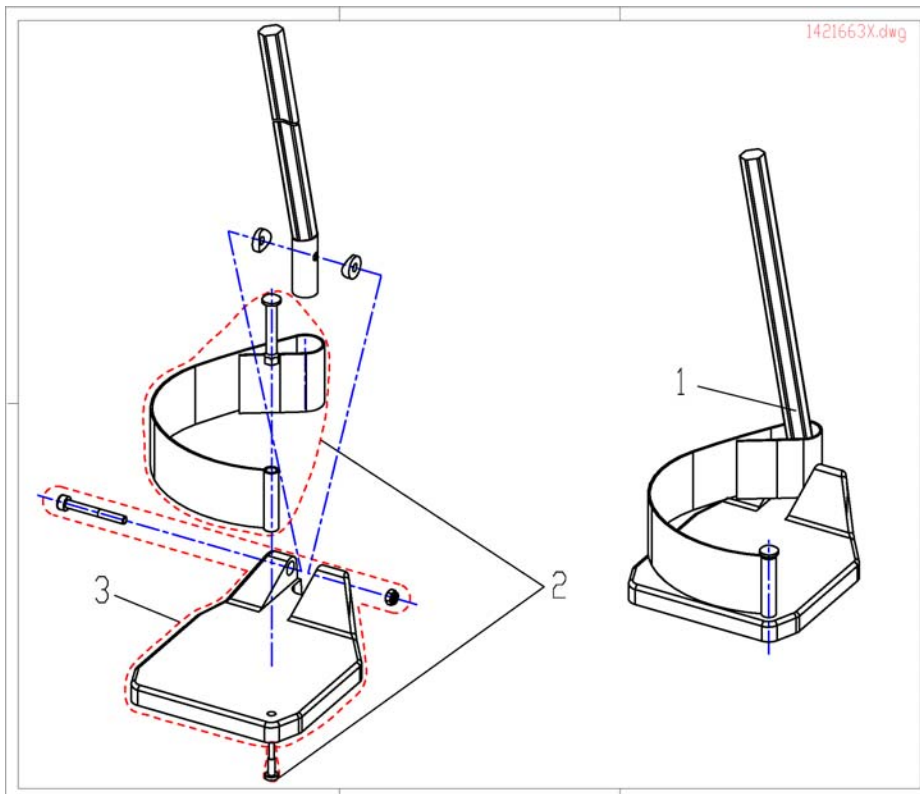
Pos.	Part number	Description	Valid from → until	Qty
1	SP1541580	Footplate flip up, angle adjustable, LH, cpl.		1
2	SP1541579	Footplate flip up, angle adjustable, RH, cpl.		1
3	SP1529645	FOOTPLATE LH		1
4	SP1529644	FOOTPLATE RH		1
5	SP1423204	FOOT PLATE TUBE, ANGLE ADJUSTMENT LH CPL.		1
6	SP1423203	FOOT PLATE TUBE, ANGLE ADJUSTMENT RH CPL.		1
7	SP1423202	HEEL STRAP CPL.		1

# Footplate



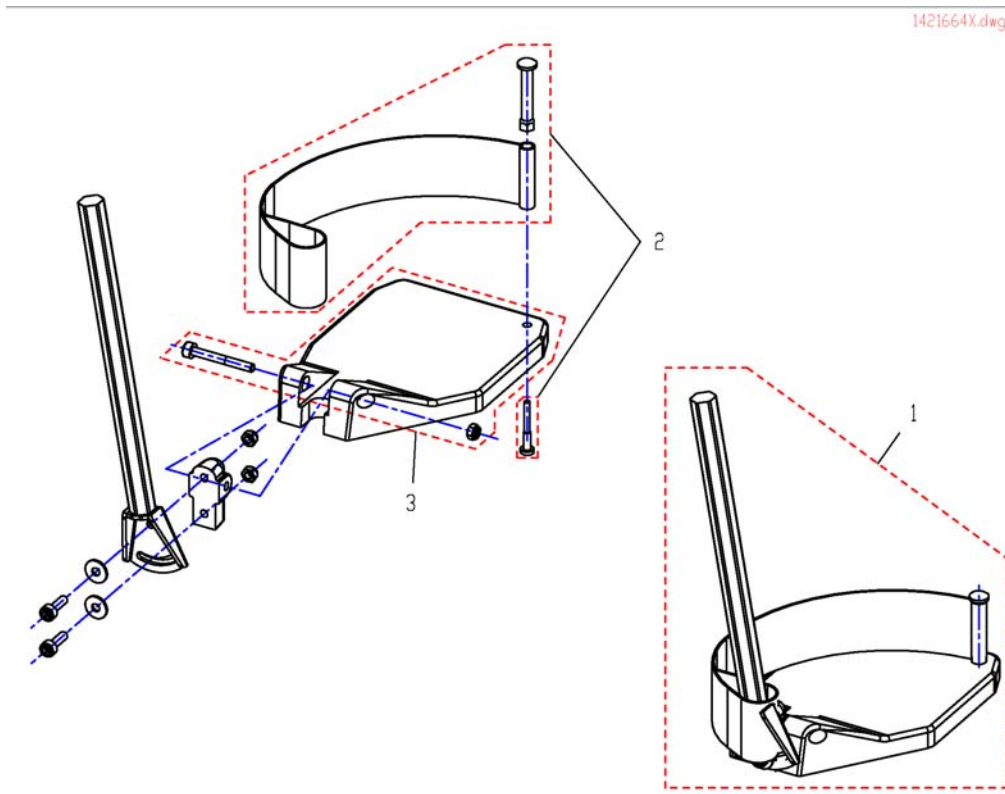
Pos.	Part number	Description	Valid from → until	Qty
1	SP5321579	Heel Strap		1
2	SP5106376	Footplate		1
3	SP1419344	Footplate LH Anlge And Depth Adjustable, With Support Tube cpl.		1

## Footplate with support tube fix RH/LH



Pos.	Part number	Description	Valid from → until	Qty
1	SP1421662	Footplate RH fix, with Support Tube cpl.		1
1	SP1421663	Footplate LH fix, with Support Tube cpl.		1
2	SPB273011	Heel Strap		1
3	SPZ173217	Footplate		1
3	SPZ173218	Footplate		1

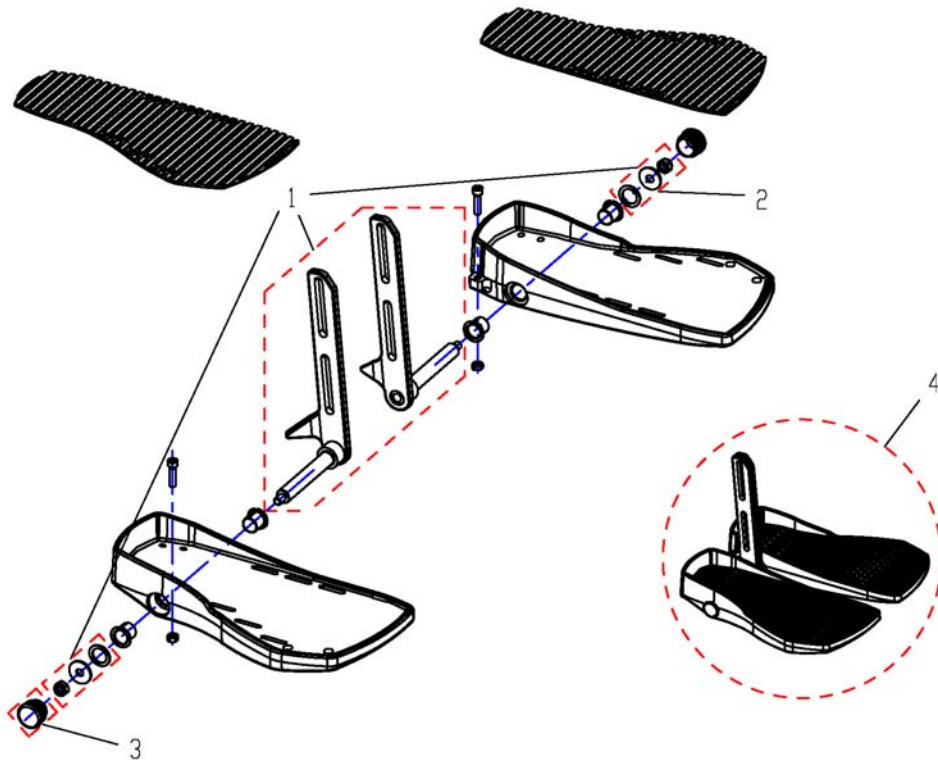
## Footplate with support tube angle adjust. RH/LH



Pos.	Part number	Description	Valid from → until	Qty
1	SP1421664	Footplate RH anlge adjustable, with Support Tube cpl.		1
1	SP1421665	Footplate LH anlge adjustable, with Support Tube cpl.		1
2	SPB273011	Heel Strap		1
3	SPZ173217	Footplate		1
3	SPZ173218	Footplate		1

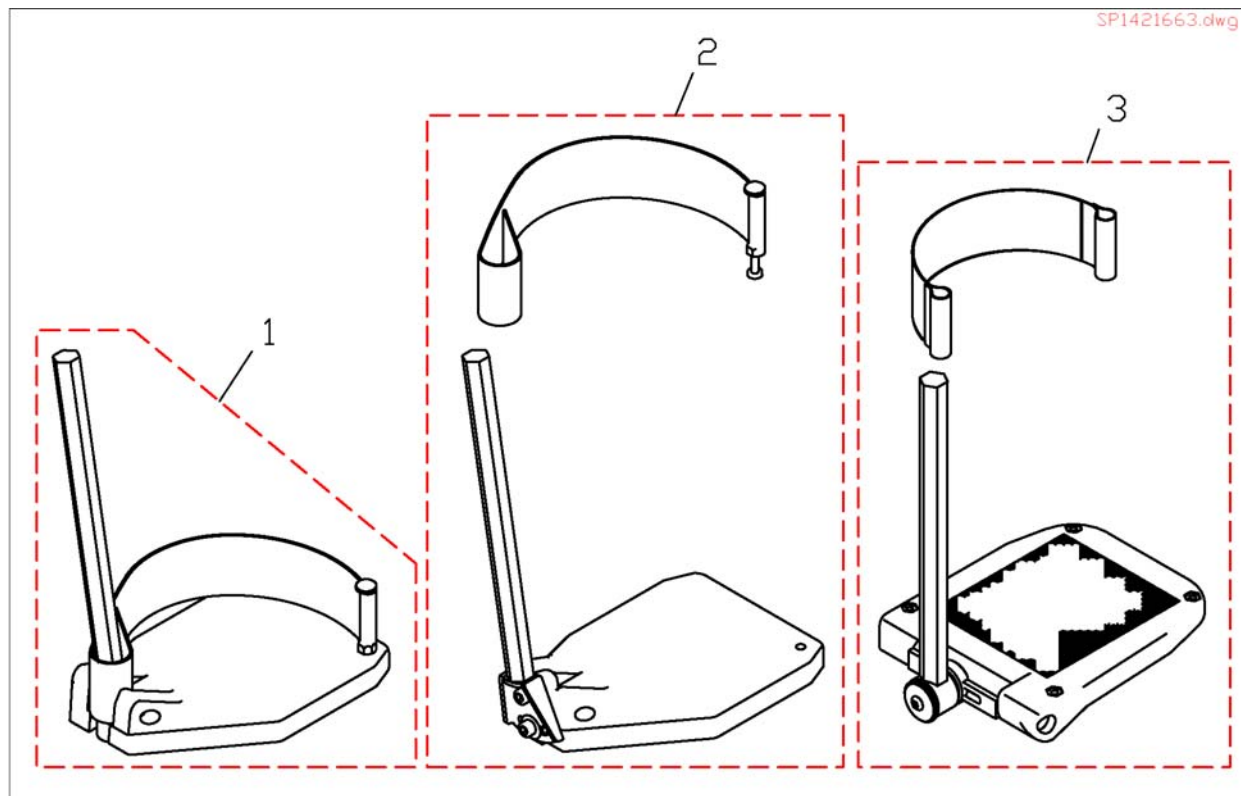
## Support Tube with Footplate for central Legrest

1440290X.dwg



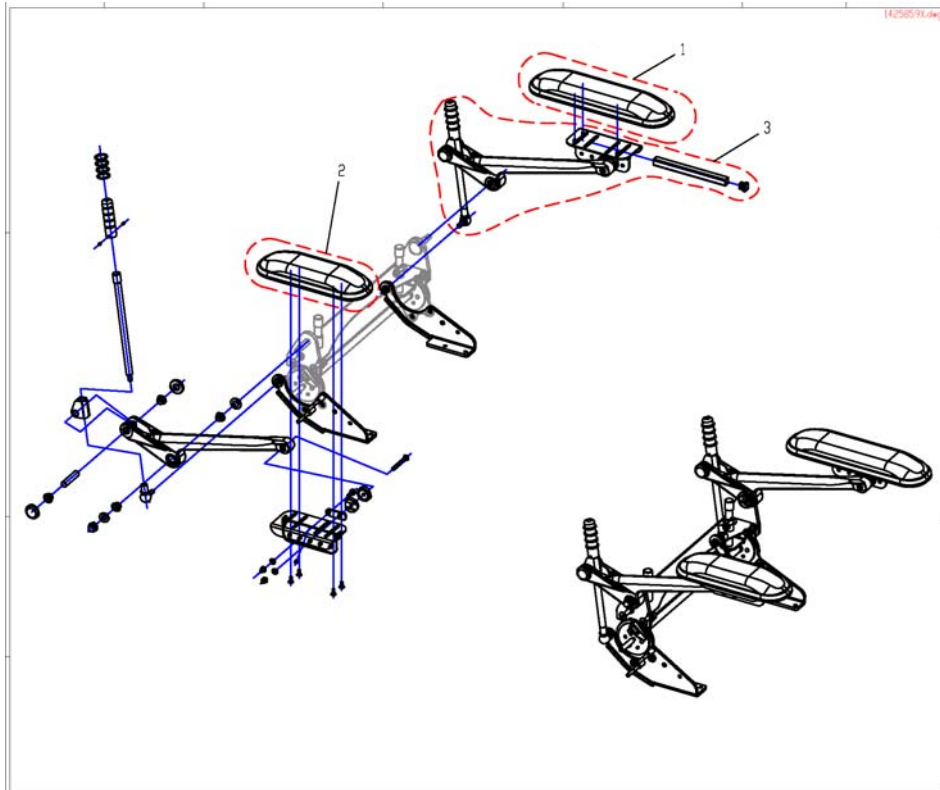
Pos.	Part number	Description	Valid from → until	Qty
1	SP1440442	Central Lower Legrest, small		1
1	SP1440443	Central Lower Legrest, medium		1
1	SP1440444	Central Lower Legrest, large		1
2	SPF00002	Fixation kit		1
3	SP1440517	Darning		1
4	SP1440290	Central Lower Legrest, small (32-38cm), cpl.		1
4	SP1440291	Central Lower Legrest, medium (38-44cm), cpl.		1
4	SP1440292	Central Lower Legrest, large (44-50cm), cpl.		1

## Footrest Lower Parts



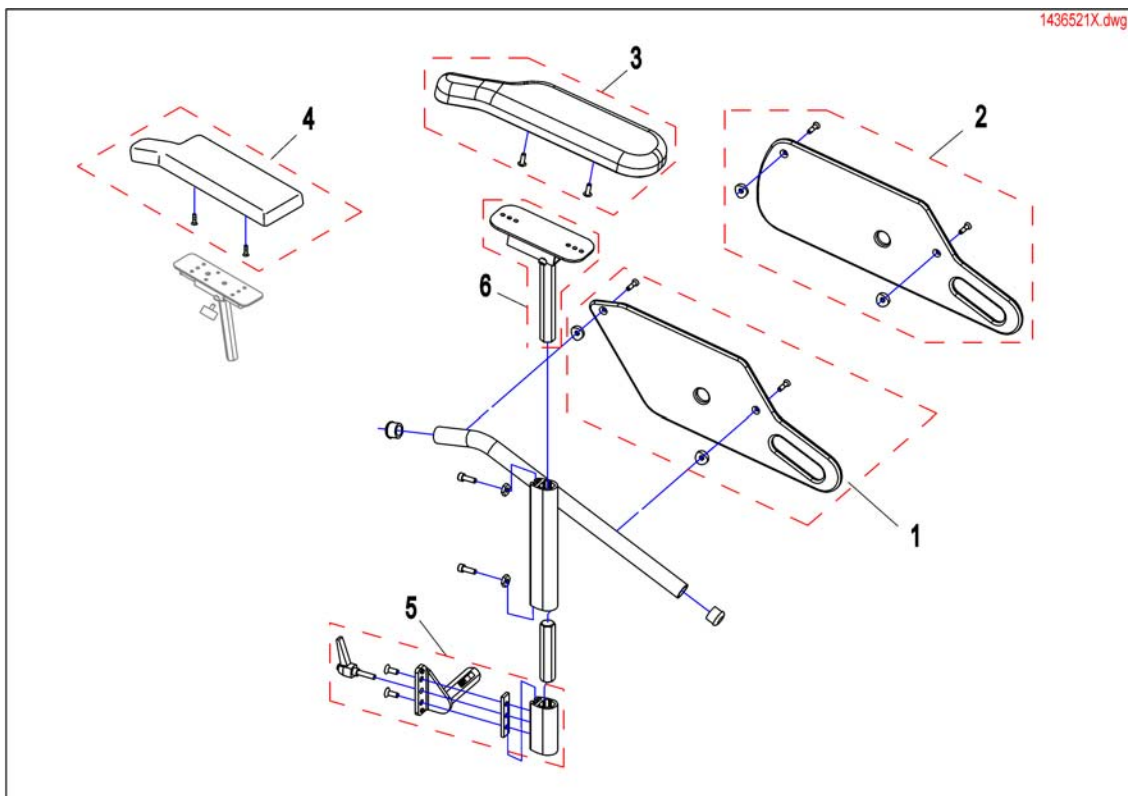
Pos.	Part number	Description	Valid from → until	Qty
1	SP1421663	Footplate LH fix, with Support Tube cpl.		1
1	SP1421662	Footplate RH fix, with Support Tube cpl.		1
2	SP1421664	Footplate RH anlje adjustable, with Support Tube cpl.		1
2	SP1421665	Footplate LH anlje adjustable, with Support Tube cpl.		1
3	SP1419344	Footplate LH Anlje And Depth Adjustable, With Support Tube cpl.		1
3	SP1419345	Foot Plate RH Angle And Depth Adjustable cpl.		1
4	SP1446549	Part not for sale		1
5	SP1446548	Part not for sale		1

## sliding armrest



Pos.	Part number	Description	Valid from → until	Qty
1	SP1513484	Armrest long		1
2	SP1513485	Armrest short		1
3	SP1425844	ALU-Armrest		1

## armrest standard





Pos.	Part number	Description	Valid from → until	Qty
1	SP1428078	Side part, Seatdepth 410mm		1
2	SP1420471	Side part, Seatdepth 460 & 510mm		1
3	SP1449043	Armpad RH (326mm)	20090101 →	1
3	SP1443004	Armpad LH (326mm)	20090101 →	1
3	SP1528845	Armpad, long, RH (376mm)		1
3	SP1528846	Armpad, long, LH (376mm)		1
4	SP1423221	ARMREST PAD RH CPL.	→ 20081231	1
4	SP1423224	ARMREST PAD LH CPL.	→ 20081231	1
5	SP1442550	Bracket for Armrest / Skirtguard RH		1
5	SP1442549	Bracket for Armrest / Skirtguard LH		1
6	SP1510857	Armpad holder LH		1
6	SP1510856	Armpad holder RH		1



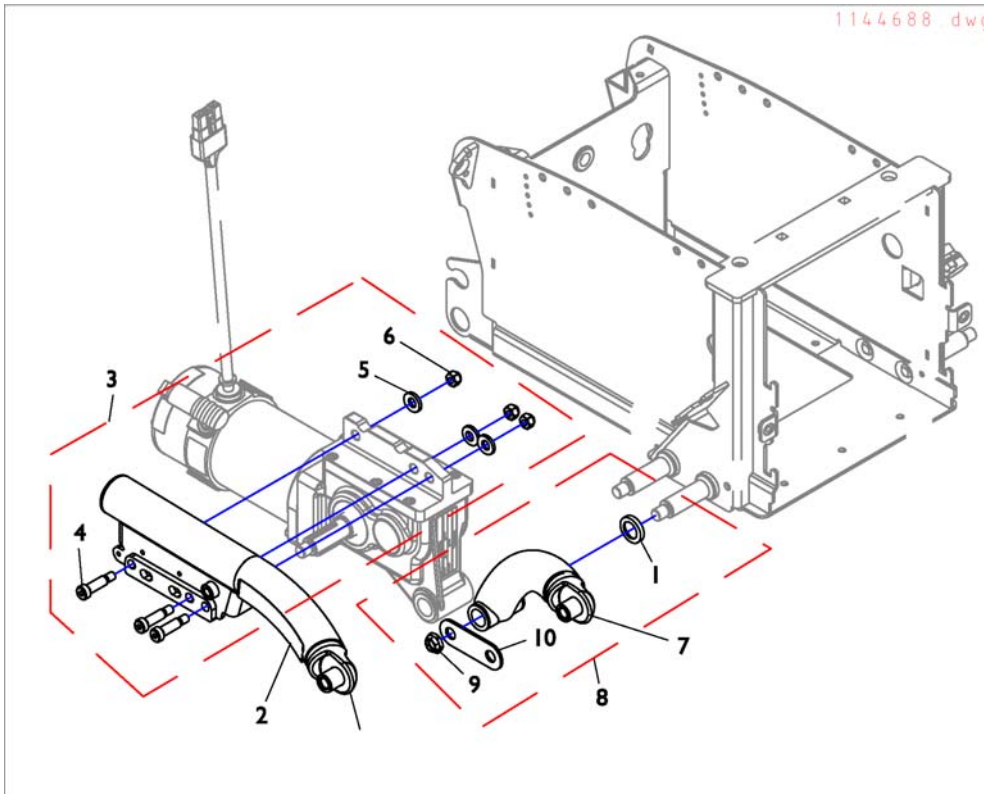
## Armrests cpl.

1421694X.dwg

Seat height 45cm/47cm Seatraiser - seathheight 47cm - 77cm											
Standard, Contour, Flex				01.01.09 ==>							
		Armrest height 340mm		Armrest height 380mm							
		RH	LH	RH	LH						
> 39cm	> 41cm	1	2	3	4						
39cm	> 41cm	5	6	7	8						
> 39cm	<= 41cm	9	10	11	12						
39cm	<= 41cm	13	14	15	16						
<table border="1"> <tr> <td colspan="2">child seat</td> </tr> <tr> <td>RH</td> <td>LH</td> </tr> <tr> <td>17</td> <td>18</td> </tr> </table>						child seat		RH	LH	17	18
child seat											
RH	LH										
17	18										

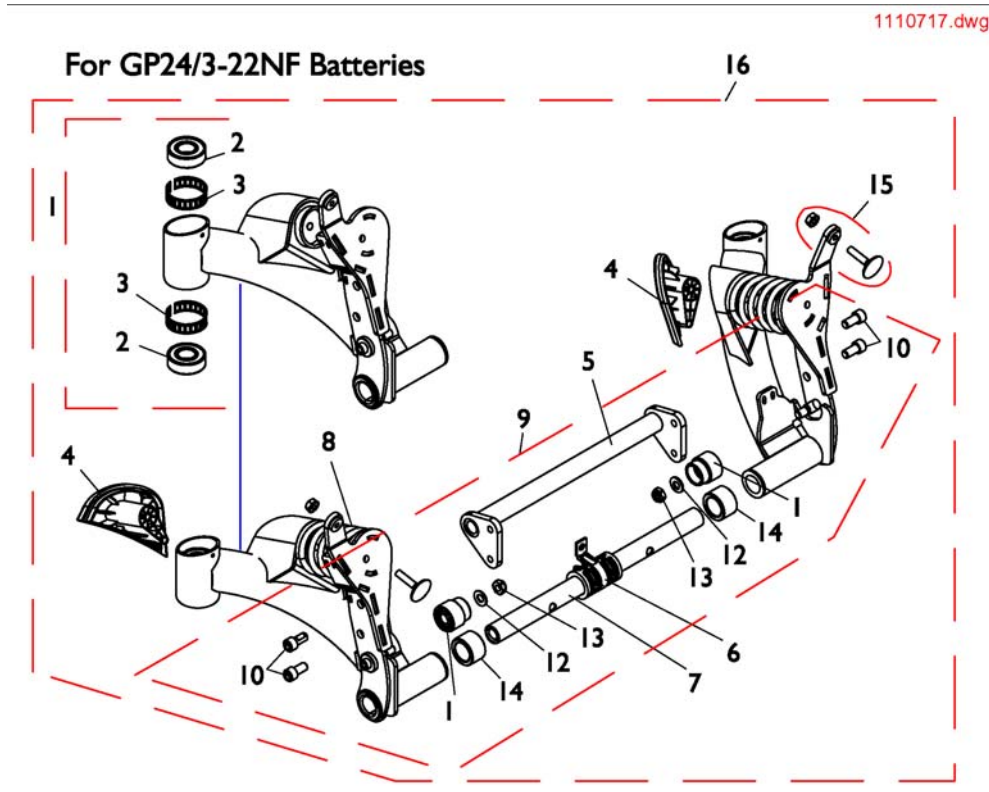
Pos.	Part number	Description	Valid from → until	Qty
1	SP1421692	Armrest, height max. 340mm, RH, Seatdepth 410mm		1
2	SP1421694	Armrest, height max. 340mm, LH, Seatdepth 410mm		1
3	SP1421693	Armrest, height max. 380mm, RH, Seatdepth 410mm		1
4	SP1421695	Armrest, height max. 380mm, LH, Seatdepth 410mm		1
5	SP1422542	Armrest, 340mm, SW 39cm, RH		1
6	SP1422543	Armrest, 340mm, SW 39cm, LH		1
7	SP1422548	Armrest, 380mm, SW 39cm, RH		1
8	SP1422549	Armrest, 380mm, SW 39cm, LH		1
9	SP1428096	Armrest, 340mm, SD 41cm, RH		1
10	SP1428097	Armrest, 340mm, SD 41cm, LH		1
11	SP1428098	Armrest, 380mm, SD 41cm, RH		1
12	SP1428099	Armrest, 380mm, SD 41cm, LH		1
13	SP1428100	Armrest, 340mm, SW 39cm, SD 41cm, RH		1
14	SP1428101	Armrest, 340mm, SW 39cm, SD 41cm, LH		1
15	SP1428102	Armrest, 380mm, SW 39cm, SD 41cm, RH		1
16	SP1428103	Armrest, 380mm, SW 39cm, SD 41cm, LH		1
17	5313557	Armrest Junior Seat RH		1
18	5313558	Armrest Junior Seat LH		1

# Walking Beam



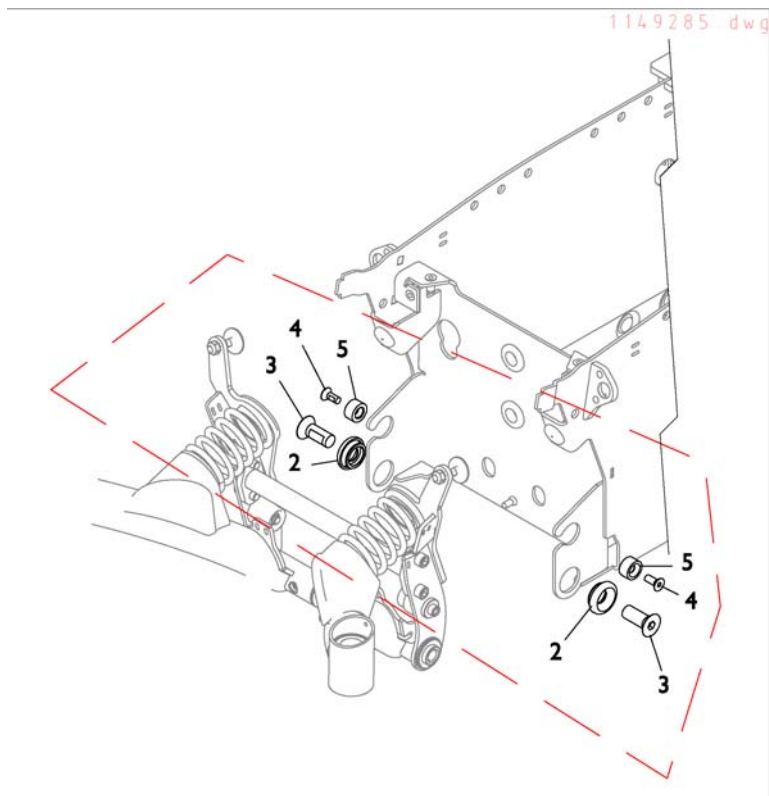
Pos.	Part number	Description	Valid from → until	Qty
1	SP1523255	Walking Beam Assembly (Color) w/Yellow TDX SP Decal-Right		1
1	SP1523256	Walking Beam Assembly (Color) w/Yellow TDX SP Decal-Left		1
1	SP1523257	Walking Beam Assembly (Color) w/Black TDX SP Decal-Right		1
1	SP1523258	Walking Beam Assembly (Color) w/Black TDX SP Decal-Left		1
2	SP1523167	Decal, TDX SP (Yellow)		1
2	SP1523012	Decal, TDX SP (Black)		1
3	SP1523178	Kit, Walking Beam Mounting Hardware		1
4	SP1522942	Screw, Socket Head Shoulder (3/8 x1")		1
5	SP1522966	Washer (7/16 x13/16 x1/8")		1
6	1026158	Part not for sale		1
7	SP1523198	Link, Lower Pivot (Color)-Right		1
7	SP1523199	Link, Lower Pivot (Color)-Left		1
8	SP1523168	Kit, Lower Pivot Link / 4-Pole Motor Mounting Hardware		1
9	SP1523015	Spacer, Coved (3/4 x1-1/8 x1-1/32")		1
10	SP1523192	Plate, Washer		1
11	1001979	Locking Nut (Axle) -Rolls 500		1

# Rear Pivot Assembly

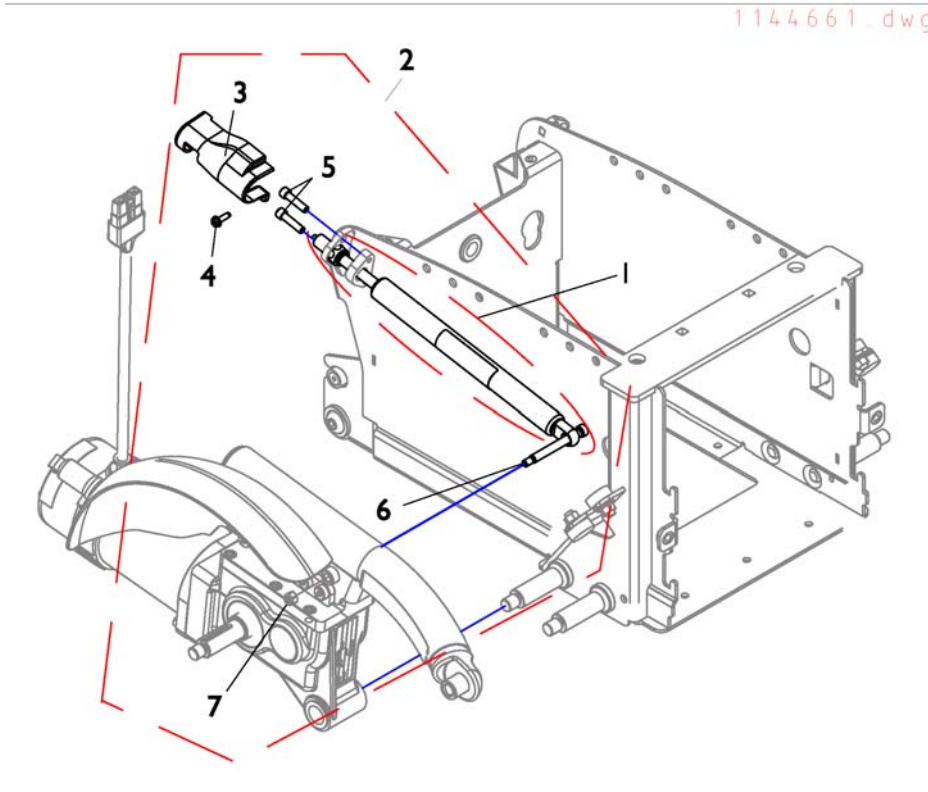


Pos.	Part number	Description	Valid from → until	Qty
1	SP1523259	Kit, Swing Arm Assembly (Color) with Bearings, Rear-Right		1
1	SP1523260	Kit, Swing Arm Assembly (Color) with Bearings, Rear-Left		1
2	40117X006	Bearing (5/8")		1
3	1110717	Ring, Tolerance		1
4	SP1523088	Cap, Rear-Right		1
4	SP1523089	Cap, Rear-Left		1
5	SP1523083	Cross-Member, Pivot		1
5	SP1523181	Cross-Member, Pivot		1
6	SP1523166	Bushing Assembly, Center		1
7	SP1523194	Bar, Pivot		1
7	SP1523197	Bar, Pivot		1
8	SP1523002	Spring, Yellow; Heavy Duty		1
9	SP1523177	Kit, Pivot Assembly Hardware		1
10	SP1522974	Screw, Socket Head Cap w/Patch (5/16-18 x5/8")		1
11	SP1523020	Stop, Nylon		1
12	1059655	Part not for sale		1
13	SP1522937	Locknut (5/16-18)		1
14	SP1523180	Spacer, Nylon (3/4"x1-1/4"x23/32")		1
15	SP1523144	Kit, Elevator Bolt w/Keps Nut (1/4-20)		1
16	SP1523261	Rear Pivot Assembly (Color) (ForGP24/3-22NF Battery Box)		1

## Rear Pivot Assembly (Mounting)

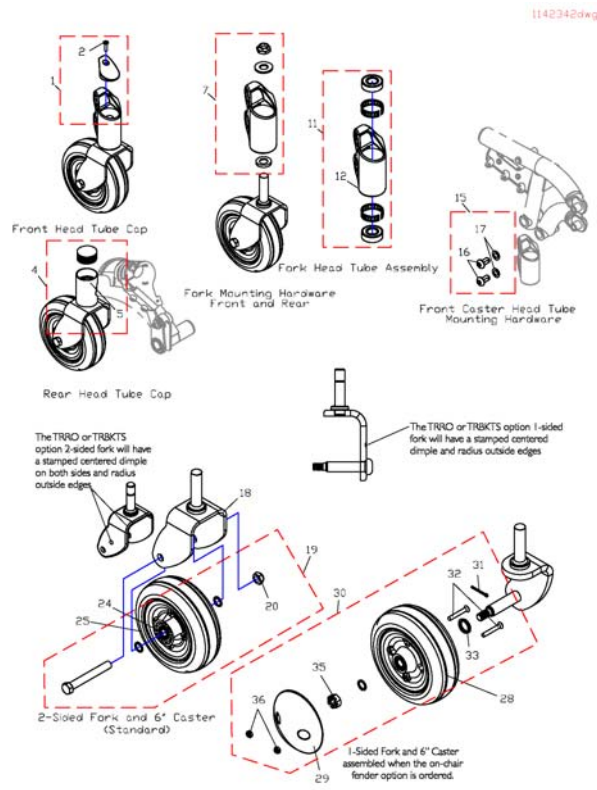


Pos.	Part number	Description	Valid from → until	Qty
1	SP1523193	Kit, Rear Pivot Assembly Mounting Hardware		1
2	SP1523195	Bushing, Rear Pivot		1
3	SP1523196	Screw, Socket Flat C'Sunk Head Cap w/Patch (1/2-13 x1-1/4")		1
4	SP1523165	Screw, Socket Flat C'Sunk Head Cap w/Patch (1/4-20 x5/8")		1
5	SP1523079	Spacer, Nylon		1



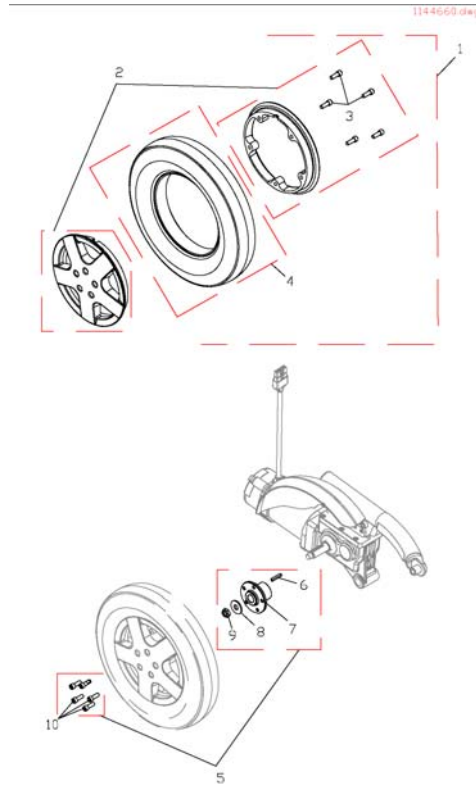
Pos.	Part number	Description	Valid from → until	Qty
1	SP1523162	Cylinder, Locking Gas (300 Lb. User Weight Limit)		1
1	SP1523158	Cylinder, Locking Gas (400 Lb. User Weight Limit)		1
2	SP1523148	Kit, Locking Gas Cylinder Mounting Hardware -Right		1
3	SP1523185	Boot-Right		1
2	SP1523149	Kit, Locking Gas Cylinder Mounting Hardware -Left		1
3	SP1523186	Boot-Left		1
4	1025451	Act.Tech Screw HexHead10-32		1
5	SP1522971	Screw, Socket Head Cap w/Patch (1/4-20 x1")		1
6	SP1523080	Screw, Socket Head Shoulder (5/16 x2-1/2")		1
7	1025736	ECROU FREIN 1/4.20		1

# Caster Front/Rear



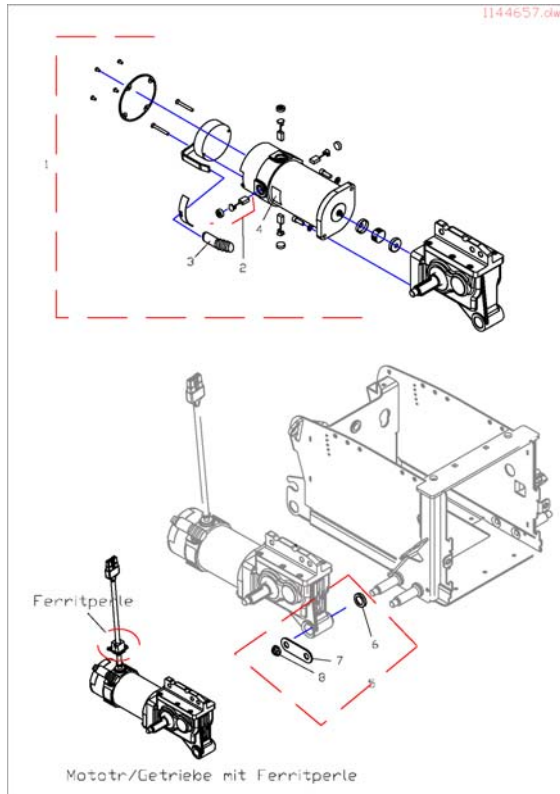
Pos.	Part number	Description	Valid from → until	Qty
1	SP1523140	Kit, Cap with Screw, Front Head Tube -Right		1
1	SP1523141	Kit, Cap with Screw, Front Head Tube -Left		1
2	1025716	10-32X.69 PAN HD MACHINE SCREW		1
4	SP1523093	Kit, Cap with Screw, Rear Head Tube -Right/Left		1
5	SP1523084	Screw, Phillip Pan Head Drill (10-16 x3/8")		1
7	SP1522999	Kit, Fork Mounting Hardware		1
10	1106068	Spacer, Stem (5/8 x 1-1/8 x 3/16 )"		1
11	SP1523094	Kit, Front Head Tube Assembly-Right		1
12	SP1523010	Head Tube -Right		1
11	SP1523139	Kit, Front Head Tube Assembly-Left		1
12	SP1523011	Head Tube -Left		1
15	SP1523176	Kit, Front Head Tube Mounting Hardware		1
16	SP1523143	Screw, Socket Button Head Cap (1/2-13 x 1")		1
17	SP1523151	Washer, Nylon (1/2 x7/8 x1/16")		1
18	SP1523016	Fork and Stem For TRRO/TRBKTS Option		1
19	1110708	Kit, Castor Mounting Hardware		1
20	1025734	Locknut (7/16-20)		1
24	SP1522935	Spacer, Bearing (7/16 x 5/8 x1-3/4")		1
25	SP1511369	Wheel with Bearings, 6x2" Urethane Deep Profile		1
28	SP1523000	Wheel with Bearings, 6"x2"Urethane Deep Profile		1
29	SP1522978	Hub Cap		1
32	SP1523005	Screw, Phillips Flat Head C'Sunk (M6 x1 x45MM)		1
33	SP1522981	Spacer, Steel (5/8 x7/8 x1/8")		1
35	SP1522979	Nut, Hex Slotted (7/16-20)		1
36	SP1522980	Locknut (M6 x1)		1

## Drive Wheels



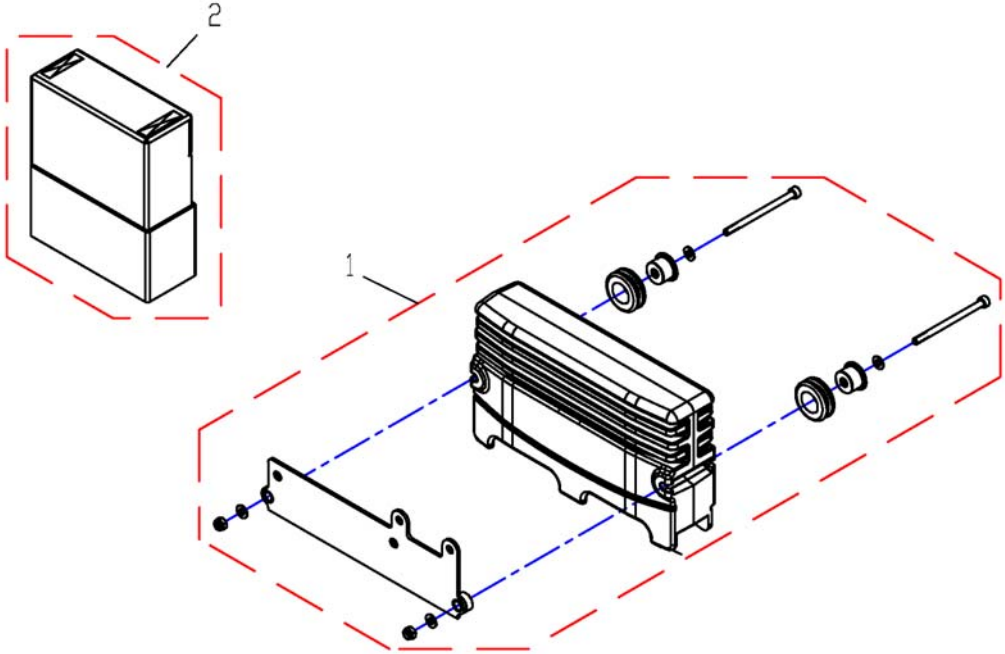
Pos.	Part number	Description	Valid from → until	Qty
1	SP1523161	Drive Wheel Assembly, w/ Flat Free (14"x3")		1
2	SP1523013	Kit,8" Rim with Hardware (14"x3"Wheel)		1
3	SP1522975	Screw, Socket Head Cap w/Patch (5/16-18 x7/8")		1
4	SP1141342	Tyre, 14", flat free		1
5	SP1523157	Kit, Drive Wheel Mounting Hardware (14"x3")		1
6	SP1522934	Key (3/16 x1-1/4")		1
7	SP1523092	Wheel Hub		1
8	SP1522939	Washer (1/2 x1-9/32 x1/8")		1
10	SP1522975	Screw, Socket Head Cap w/Patch (5/16-18 x7/8")		1

# Motor & Gearbox



Pos.	Part number	Description	Valid from → until	Qty
1	SP1523164	Motor and Gearbox Assembly -Left, 8km/h		1
1	SP1523163	Motor and Gearbox Assembly -Right, 8km/h		1
1	SP1144657	Motor and Gearbox Assembly -Left, 9,5km/h		1
1	SP1144656	Motor and Gearbox Assembly -Right, 9,5km/h		1
2	SP1522967	Brushes with Caps,4 Pole (Set of 4)		4
3	SP1522976	Cap, Brake		1
4	1104797	Dis - engaging information label		1
5	SP1523168	Kit,Lower Pivot Link / 4-Pole Motor Mounting Hardware		1
6	SP1523015	Spacer, Coved (3/4 x1-1/8 x1-1/32")		1
7	SP1523192	Plate, Washer		1
8	1001979	Locking Nut (Axle) -Rolls 500		1

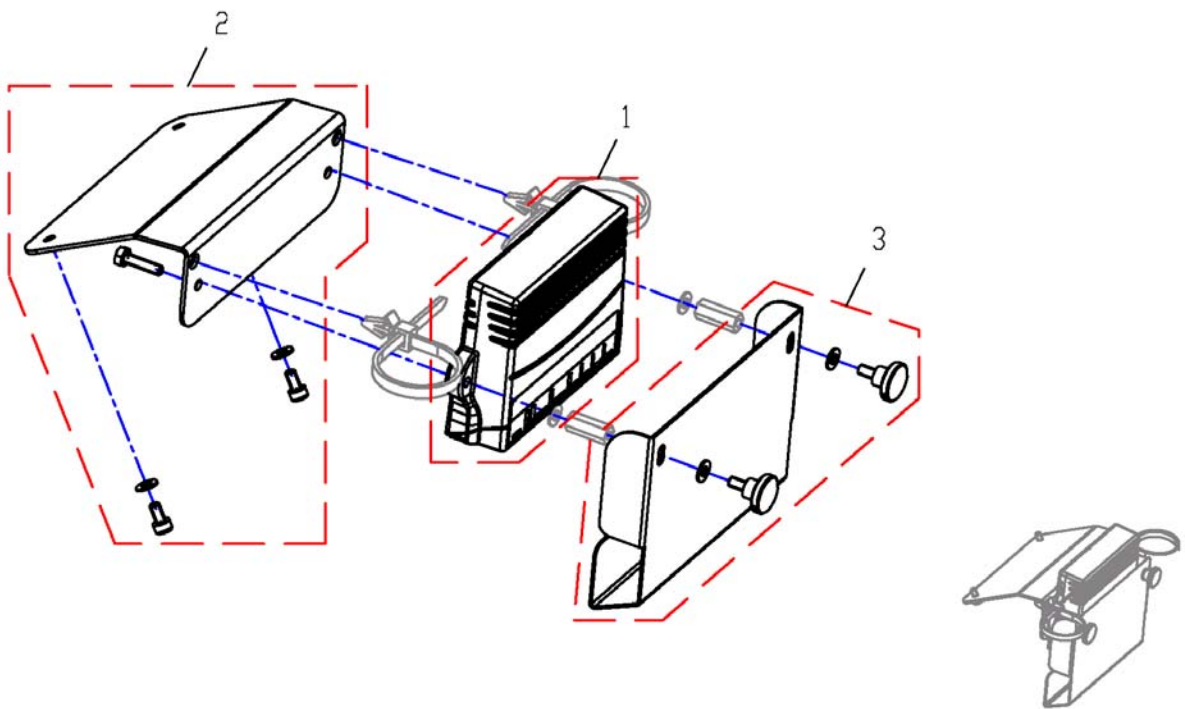




Pos.	Part number	Description	Valid from → until	Qty
1	SP1529381	Powermodule ACS2 DX2-PMA90L (Light)		1
1	SP1541534	Powermodule ACS2 DX2-PMA90LG (G-Trac)		1
2	SP1532518	Mudguard		1

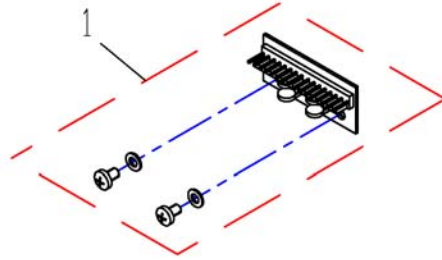
# ACT4 for ACS2

1533147X.dwg



Pos.	Part number	Description	Valid from → until	Qty
1	SP1529382	ACT4 for ACS2, cpl.		1
2	SP1536213	Mudguard ACT		1
3	SP1536273	ACT-Holder		1
-	SP1536274	Fastening-Kit (such as all bolts, cable ties)		1

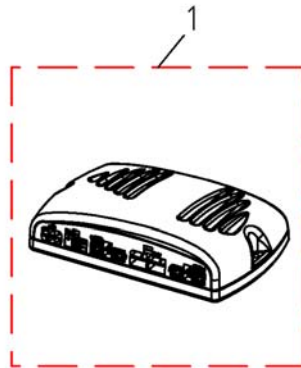
1529383.dwg



Pos.	Part number	Description	Valid from → until	Qty
1	SP1529383	Lightboard ACS2		1

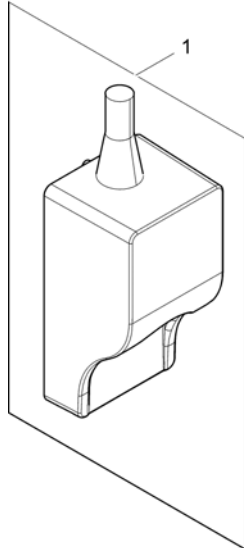
# Shark Powermodule

1136898.dwg



Pos.	Part number	Description	Valid from → until	Qty
-	1450313	Shark2 Bus Cabel L=1500mm		1
1	1136898	Shark Powermodule DK-PMC28, 75-90A		1

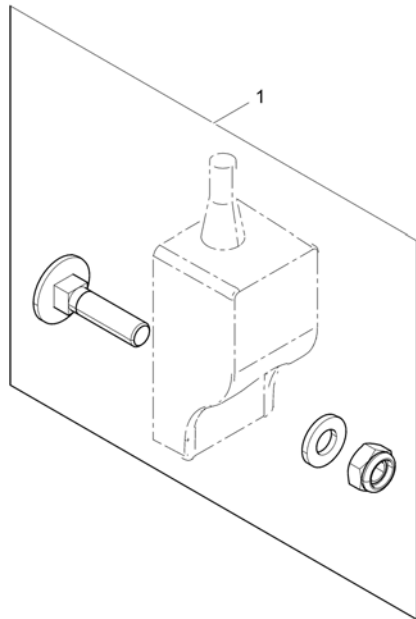
SPS1537848X



Pos.	Part number	Description	Valid from → until	Qty
1	SP1537848	DX2-Gyroskop		1

# Holder for G-Trac

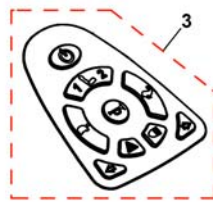
SPS1541535X



Pos.	Part number	Description	Valid from → until	Qty
1	SP1541752	Holder for G-Trac		1

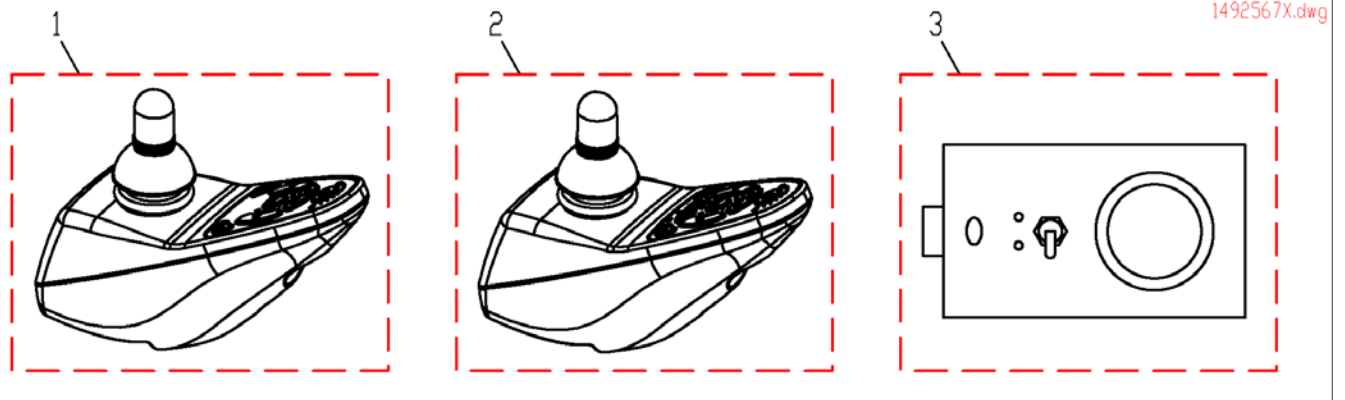
# Keypads Shark2

1537479X.dwg



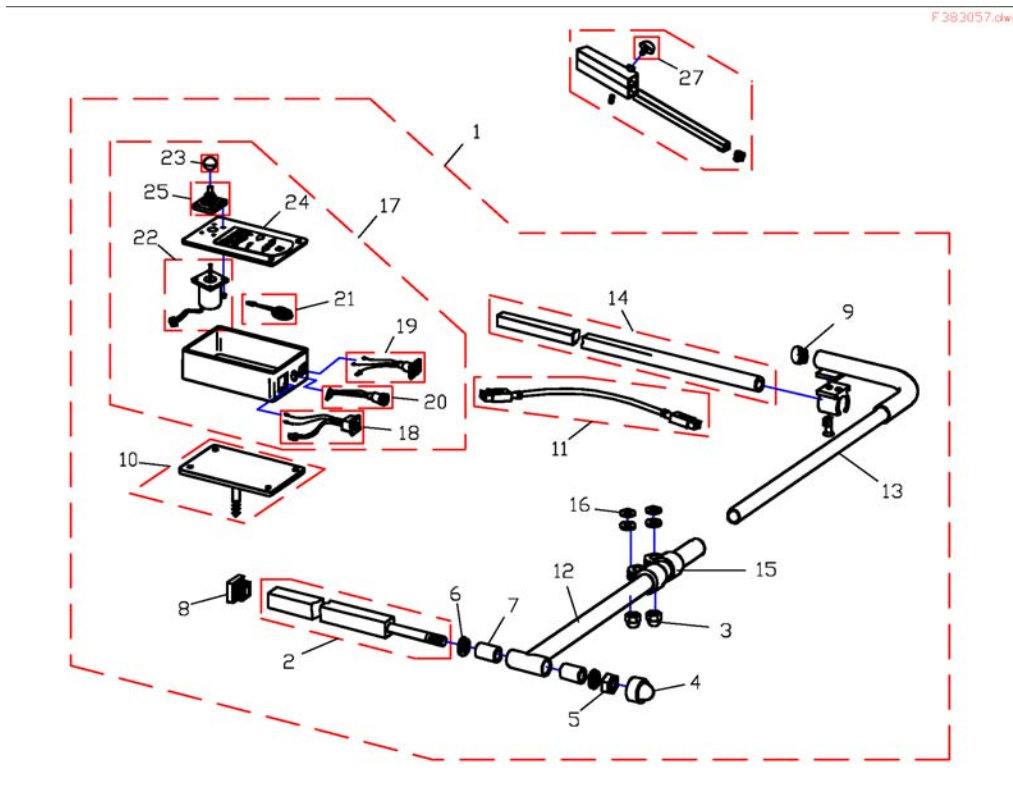
Pos.	Part number	Description	Valid from → until	Qty
1	SP1537479	Keypad DK-REMD01		1
2	SP1537480	Keypad DK-REMD11		1
3	SP1537481	Keypad DK-REMD21		1

## Shark Remotes



Pos.	Part number	Description	Valid from → until	Qty
1	1492567	Remote Shark DK-REMD01 (drive only)		1
1	1449177	Remote Shark DK-REMD11 (with actuators)		1
2	1484904	Remote DK-REMD21, Shark2 (Drive, Seat Adjustment, Light)		3
3	1444717	Shark-Attendant Control, Switchable		1



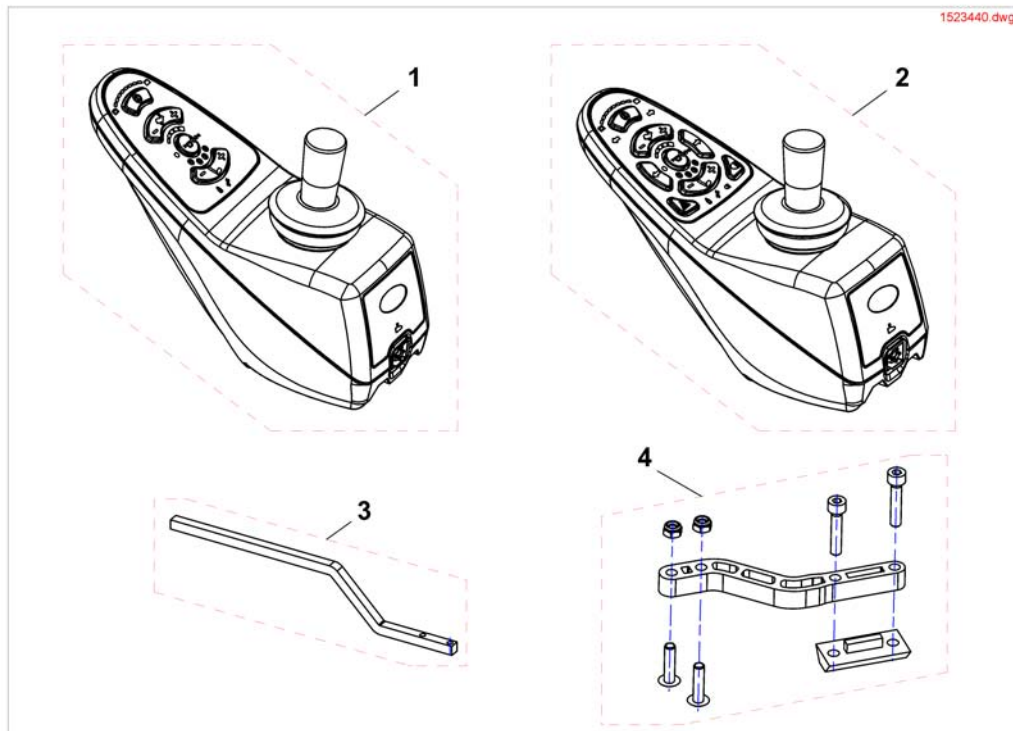


Pos.	Part number	Description	Valid from → until	Qty
-	Q99081	User Manual Table- & Middle Control REM41-S German		1
1	F383056	CENTRAL STEERING CPL., SWING-AWAY RH, REM41-S		1
1	F383057	CENTRAL STEERING CPL., SWING-AWAY LH, REM41-D		1
1	SP1530588	CENTRAL STEERING CPL., SWING-AWAY RH, REM41-D		1
1	SP1530589	CENTRAL STEERING CPL., SWING-AWAY LH, REM41-D		1
2	Z177024.00	SUPPORT TUBE; CHROME PLATED		1
3	F60208	DOMED NYLOC NUT M8 X 1		1
4	-	Sks Nut Cap M12		1
5	F20106	Nyloc Nut M12		1
6	G00104	Washer Ø13 DIN 125 A		1
7	-	Bush Rd. 19 X 3.5 X 25		1
8	-	Tube End Plug E 15 X 15		1
9	-	Tube End Plug SI 22		1
10	Z183216.P40	SUPPORT BRACKET; RAL 9005 BLACK		1
11	GSM63016	ACS Bus-Cable 1,6M		1
11	1419386	ACS BUS CABLE L=1900 MM		1
12	Z183089.00	SWING ARM; CHROME PLATED		1
13	Z183086.00	SUPPORT ARM RH; CHROME PLATED		1
13	Z183092.00	SUPPORT ARM LH; CHROME PLATED		1
14	H281005A.00	MIRROR SUPPORT RAIL; CHROME PLATED		1
15	5006720	Klemmschelle F. Dm 22 mm		1
16	G00106	Washer 8,4 X 17 X 1,6		1
17	SP1527930	DX ACS Tray Remote DX-REM41		1
17	SP1529258	Tray control, cpl., REM41		1
18	P41108	ACS-BUS CABLE SOCKET		1
19	P41106	CHARGER SOCKET		1
20	P41107	PROGRAMMER SOCKET		1
21	P30493	HORN		1
22	GSM55120	ACS-JOYSTICK WITH 180MM CABLE		1
23	L36999	KNOB FOR JOYSTICK 32 MM, HOLE 5.8 MM		1
24	P30907	FOIL KEYPAD FOR TABLE REMOTE		1

## Middle control REM41

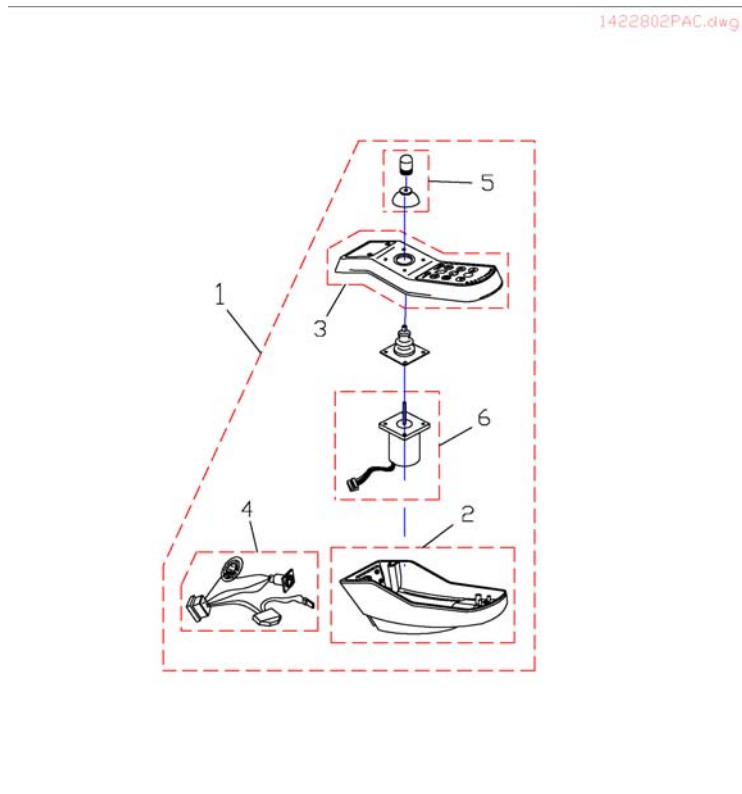
Pos.	Part number	Description	Valid from → until	Qty
25	Z183001A	Rubber Gaiter For ACS Remote		1
26	Z183289	CENTRAL STEERING SUPPORT TUBE CPL.		1
27	-	Handknob		1

## Remotes REM A & REM B & Holder



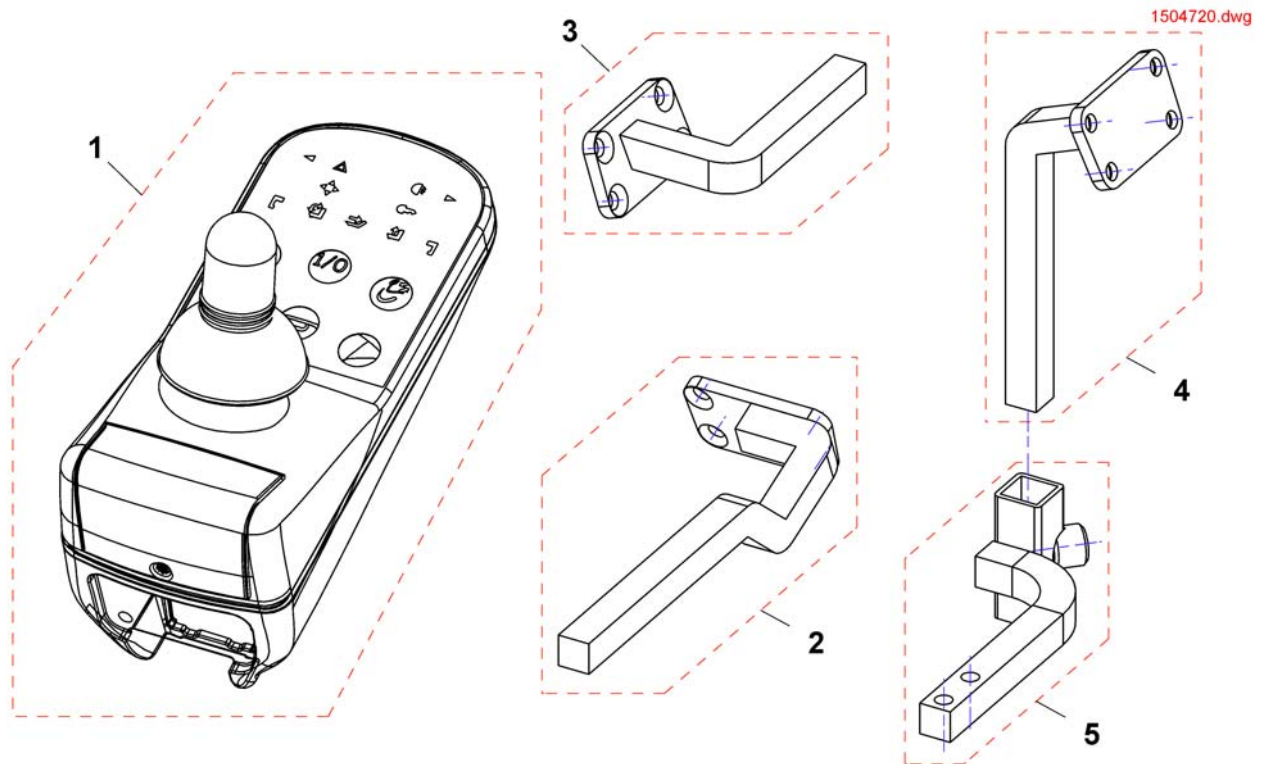
Pos.	Part number	Description	Valid from → until	Qty
1	SP1523440	Remote "REM A"		1
2	SP1523445	Remote "REM B"		1
3	1440440-9005	JOYSTICK BOX SUPPORT SHARK, WITHOUT SCREWS		1
4	SP1536180	Montagekit for swing-away remote		1

# REM24SD Remote



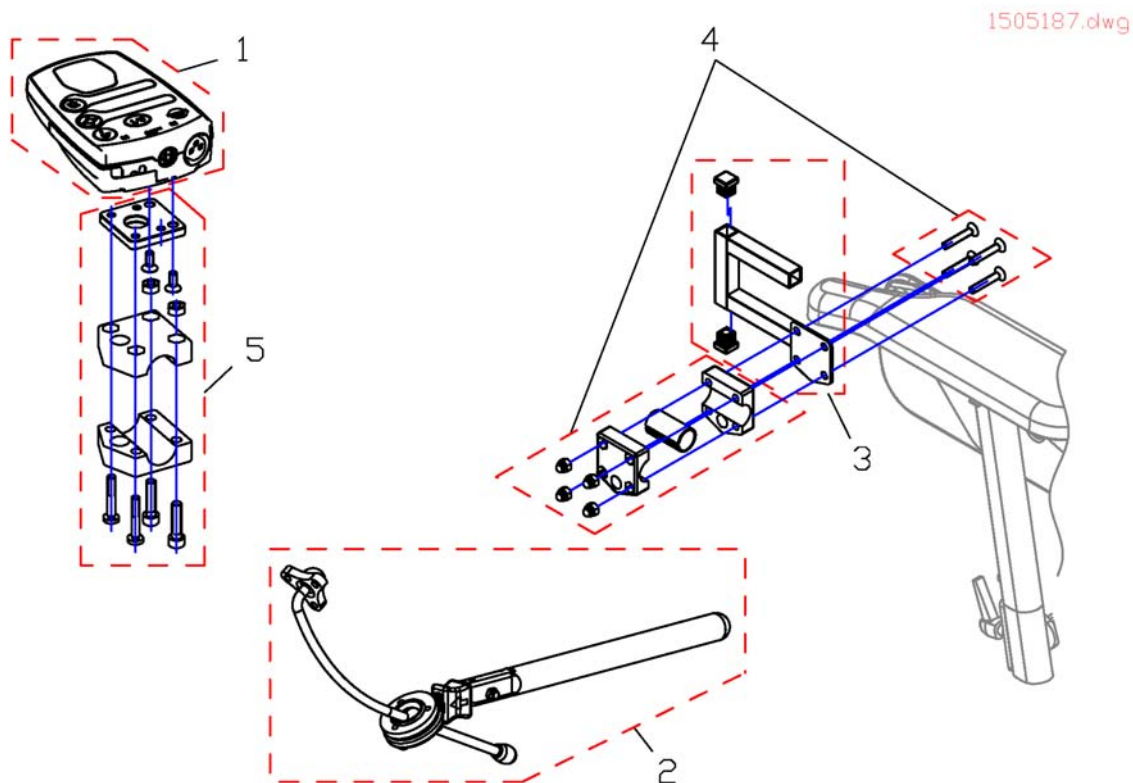
Pos.	Part number	Description	Valid from → until	Qty
1	1436541	ACS REM24SD Joystick		1
2	SP1497416	casing bottom part for REM24SD		1
3	SP1497417	casing upper part for REM24SD with keypad		1
4	SP1497418	Internal Cable Loom for REM 24SD		1
5	SP6001771	Joystick upper part		1
6	SP1497419	Joystick for REM 24SD		1

## G90 & Holder

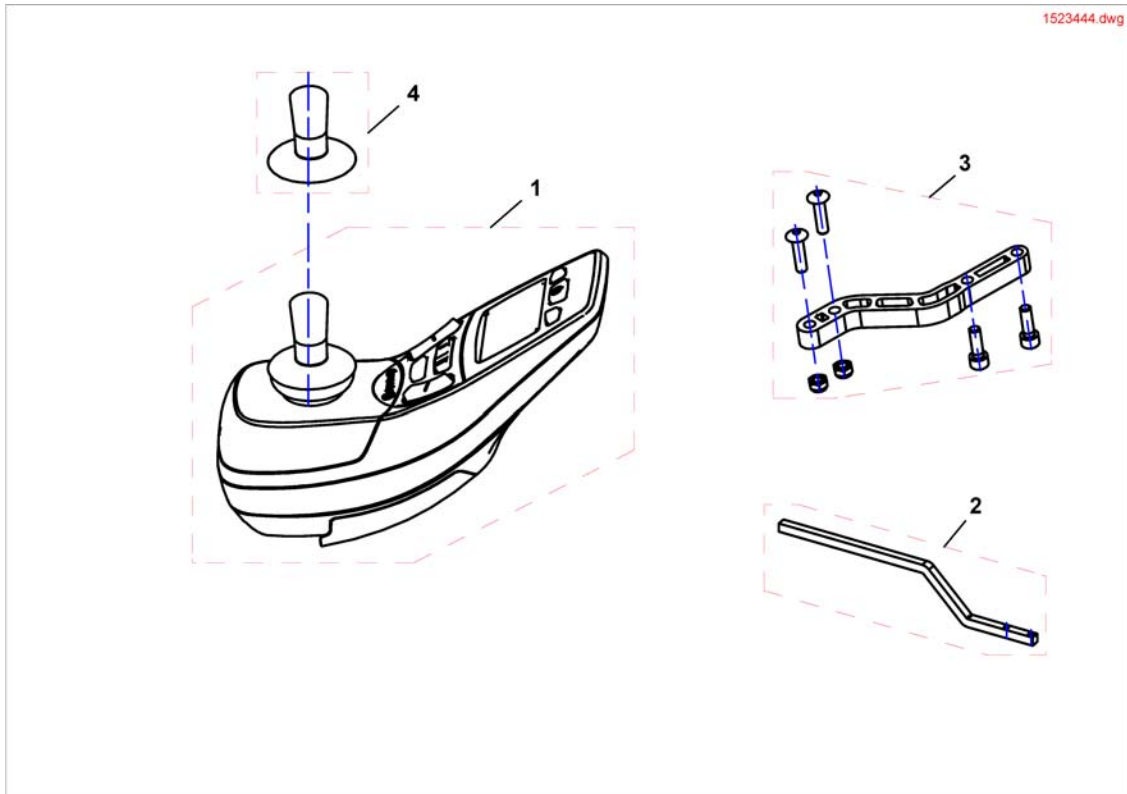


Pos.	Part number	Description	Valid from → until	Qty
1	1504720	Remote G90A		1
2	SP1518449	Holder G90A, Standard, RH		1
2	SP1518450	Holder G90A, Standard, LH		1
3	SP1509439	Remote Bracket Attendant Control G90A RH		1
3	SP1509435	Remote Bracket Attendant Control G90A LH		0
4	SP1505054	Remoteholder		1
5	SP1517289	Guide		1

## G91 & Holder

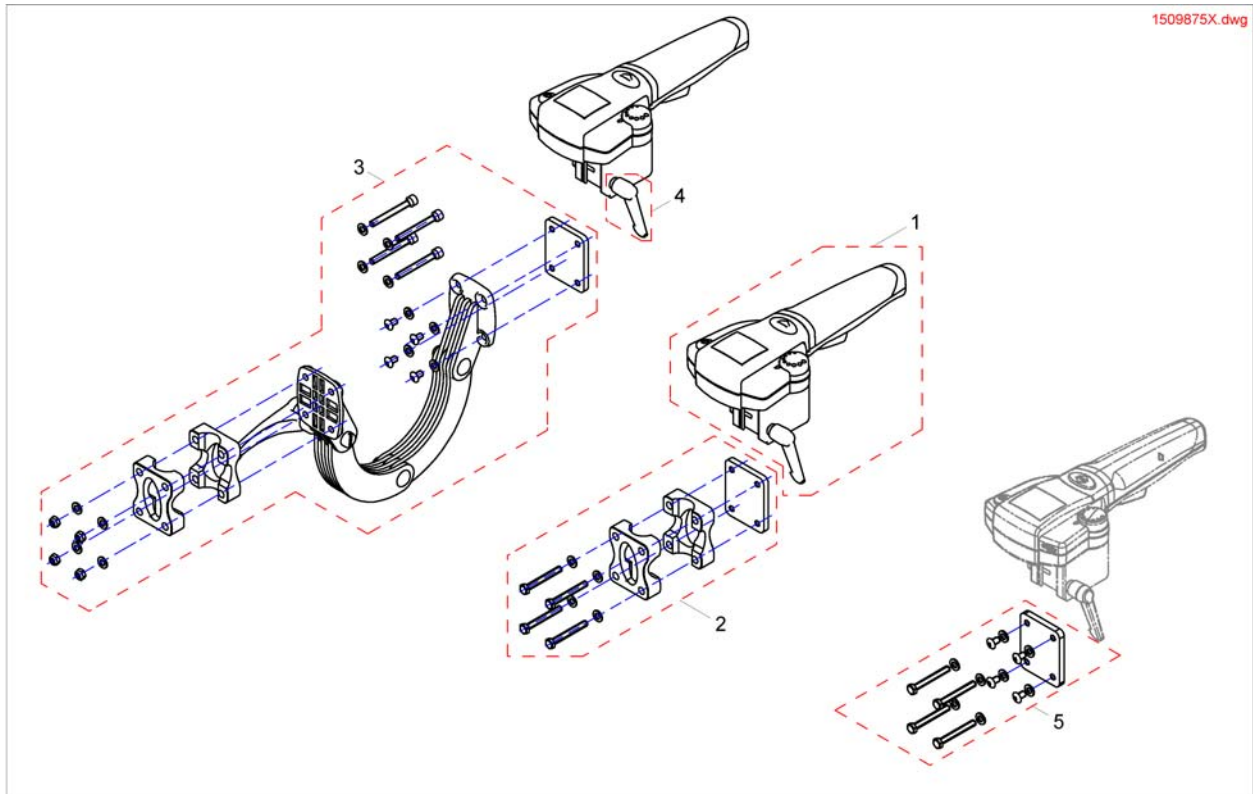


Pos.	Part number	Description	Valid from → until	Qty
-	GSM63016	ACS Bus-Cable 1,6M		1
1	1505187	Remote Control G91S		1
2	SP1527504	Swan Neck Remote Bracket with Adapter Plate		1
3	SP1509711	Adapter G91 RH		1
3	SP1509716	Adapter G91 LH		1
4	SP1527503	Gripper Clamp cpl.		1
5	SP1528271	Holder for Backresttube		1



Pos.	Part number	Description	Valid from → until	Qty
1	SP1523444	Remote REM550		1
2	1440440-9005	JOYSTICK BOX SUPPORT SHARK, WITHOUT SCREWS		1
3	SP1498222	Installation-Kit For Control Unit Support Swing-Away Mechanism REM 24 SD		1
4	SP1535082	Joystickknob, cpl.		1

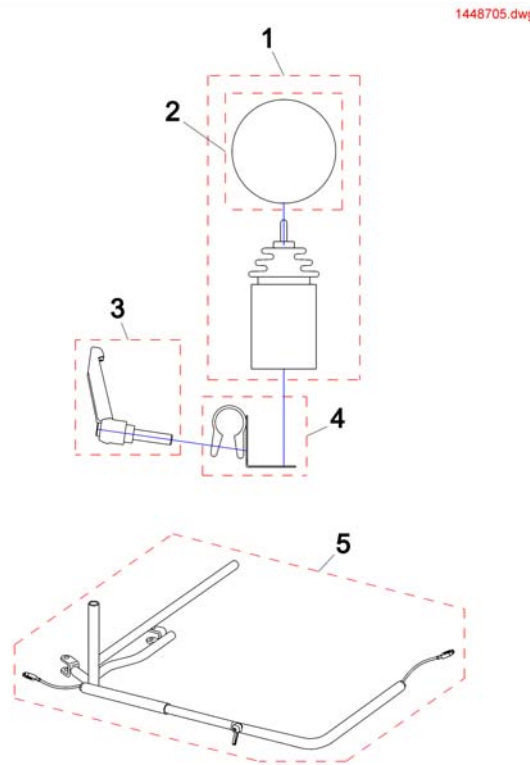
# IDC Dual Control



Pos.	Part number	Description	Valid from → until	Qty
1	SP1509875	Intuitiv Dual Control <i>For chairs build befor 01/02/10 please also order SP1537148</i>		1
2	SP1522310	Fixed Bracket		1
3	SP1521488	Adjustable Bracket		1
4	SP1510135	Clamp Lever M5x10		1
5	SP1537148	Supportplate IDC for chairs before 01.02.10		1



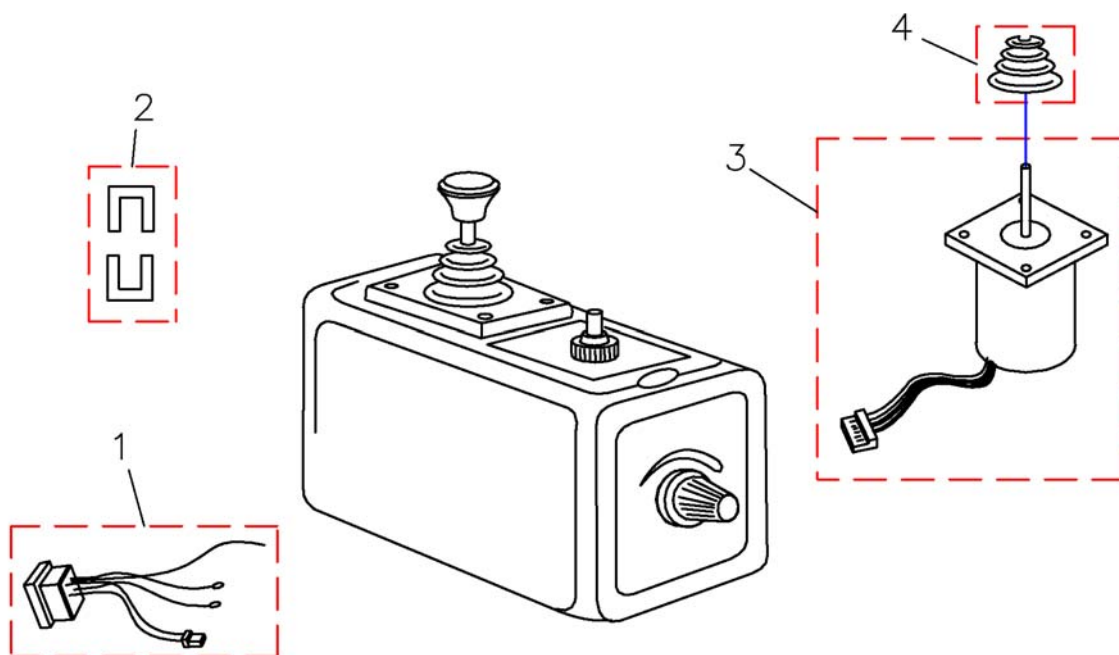
# Chin Control



Pos.	Part number	Description	Valid from → until	Qty
-	1442944	Cable for Chin Control04 RH+LH swing away		1
1	1448705	Remote for chin control		1
2	Z183265	FOAM CONTROL KNOB CPL.		1
3	L32901	LEVER M8, BLACK		1
4	Z183285.00	SUPPORT JOYSTICK CDE MENT.SPEC		1
5	SP1422942	CHIN CONTROL , MANUAL HORIZONTAL SWING-AWAY RH		1
5	SP1422943	CHIN CONTROL , MANUAL HORIZONTAL SWING-AWAY LH		1
5	SP1422944	CHIN CONTROL ELECTRIC HORIZONTAL SWING-AWAY RH CPL.		1
5	SP1422945	CHIN CONTROL ELECTRIC HORIZONTAL SWING-AWAY LH CPL.		1
5	SP1422946	ASSEMBLY KIT FOR SWING-OUT CHIN CONTROL, ELECTRIC VERTICAL, CPL.		1

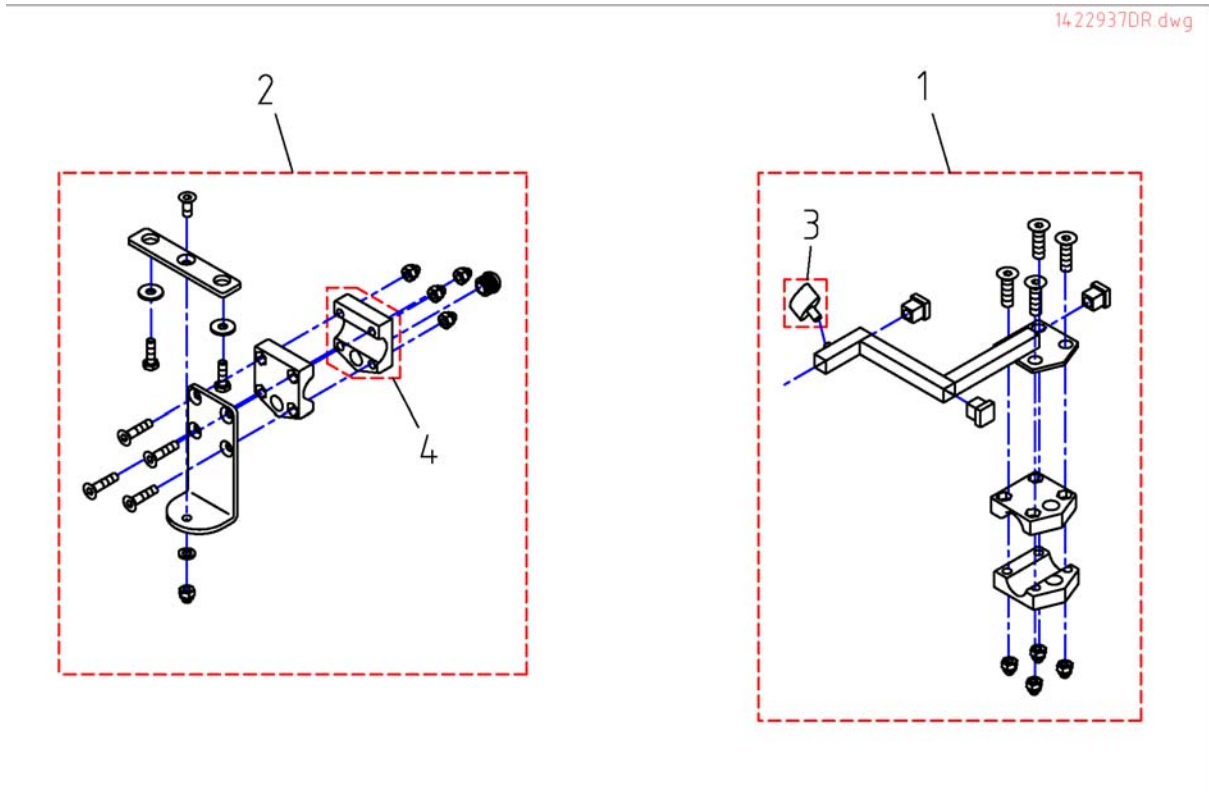
# Dual Control

6001425.dwg



Pos.	Part number	Description	Valid from → until	Qty
-	6001425	ACS Dual Control		1
1	P41105	Bus Cable Socket		1
2	GME61927	Fixing Clamp For ACS Bus Connector		1
3	P10304	ACS Joystick With Connecting Cable		1
4	Z183001A	Rubber Gaiter For ACS Remote		1

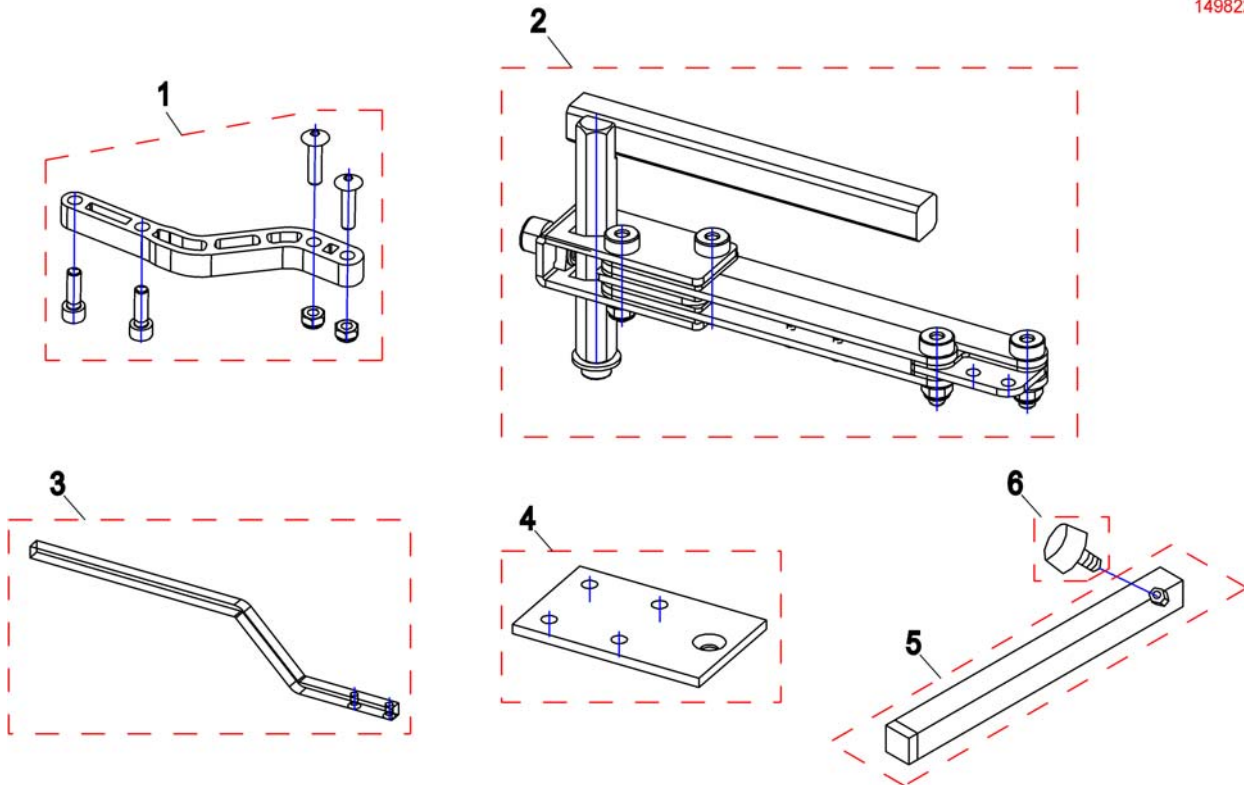
# Remote Bracket For Attendant / Dual- Control



Pos.	Part number	Description	Valid from → until	Qty
1	SP1422936	Assembly Kit RH F. Std. Attendant Seat Control		1
1	SP1422937	Assembly Kit F. Std. Attendant Seat Control LH .		1
2	SP1422818	Assembly Kit For Attendantcontrol (Standard/Kontour/Flex)		1
2	1450307	Mounting-Kit Attendent Control		1
3	-	Handknob		1
4	Z12008A.P40	Gripping Clip With Hexagon Hole, Ral 9005 Black		1
5	1449299	Shark Retrofit Kit Operation Accompanying Person, Switchable		1

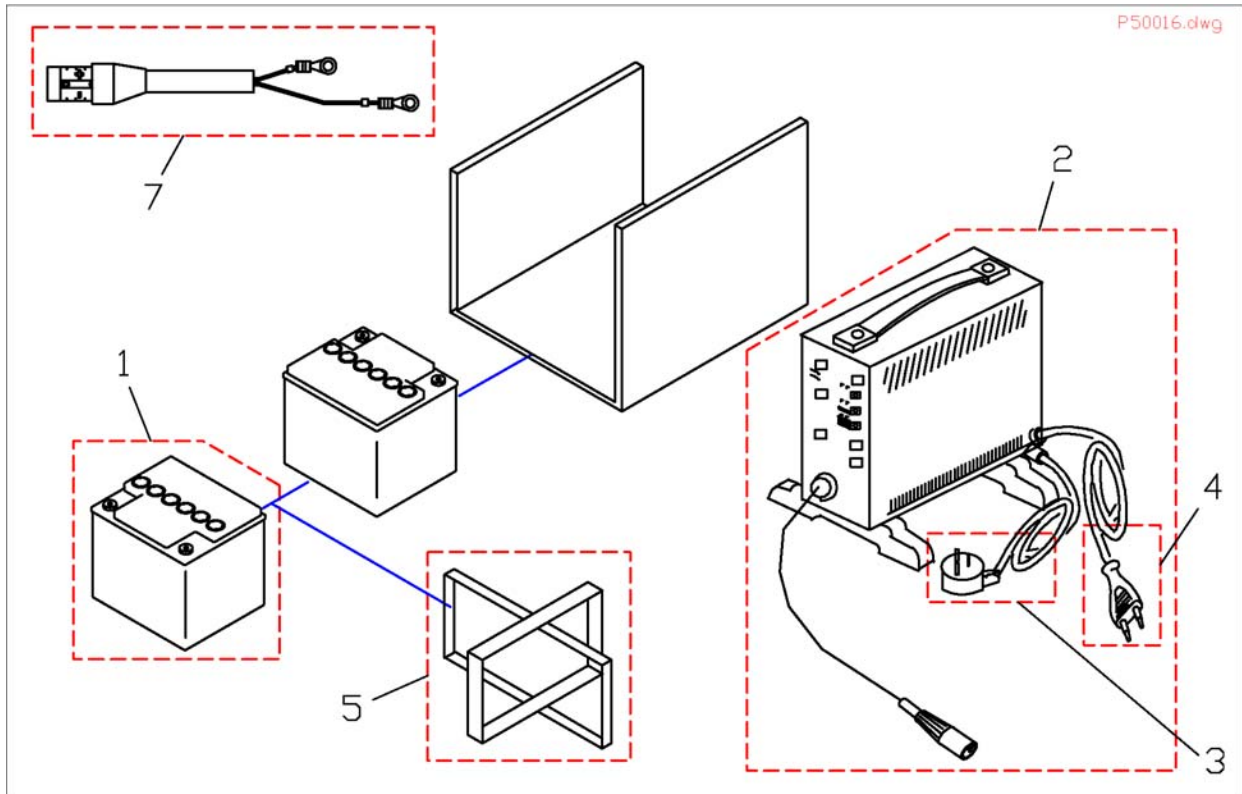
# Holder

1498222.dwg



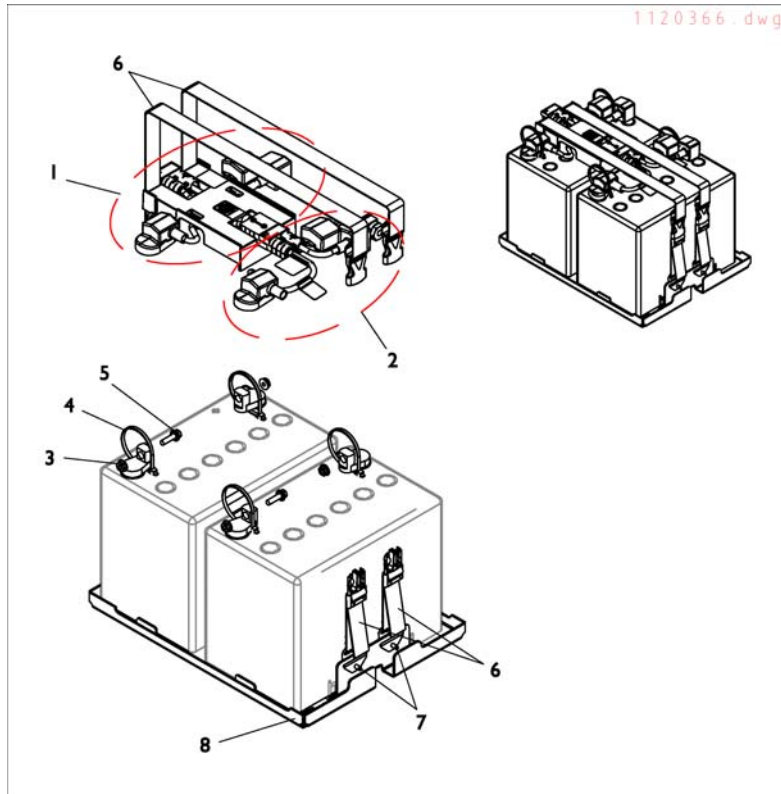
Pos.	Part number	Description	Valid from → until	Qty
1	SP1498222	Installation-Kit For Control Unit Support Swing-Away Mechanism REM 24 SD		1
2	SP1496249	Remote Bracket, Height Adjustable And Swing Away LH		1
2	SP1496248	Remote Bracket, Height Adjustable And Swing Away RH		1
3	1440440-9005	JOYSTICK BOX SUPPORT SHARK, WITHOUT SCREWS		1
4	1450307	Mounting-Kit Attendent Control		1
5	SPS183040	Remote Bracket Standard		1
6	SPL31001	Wing ScREW M6x10		1

# Cable & Charger



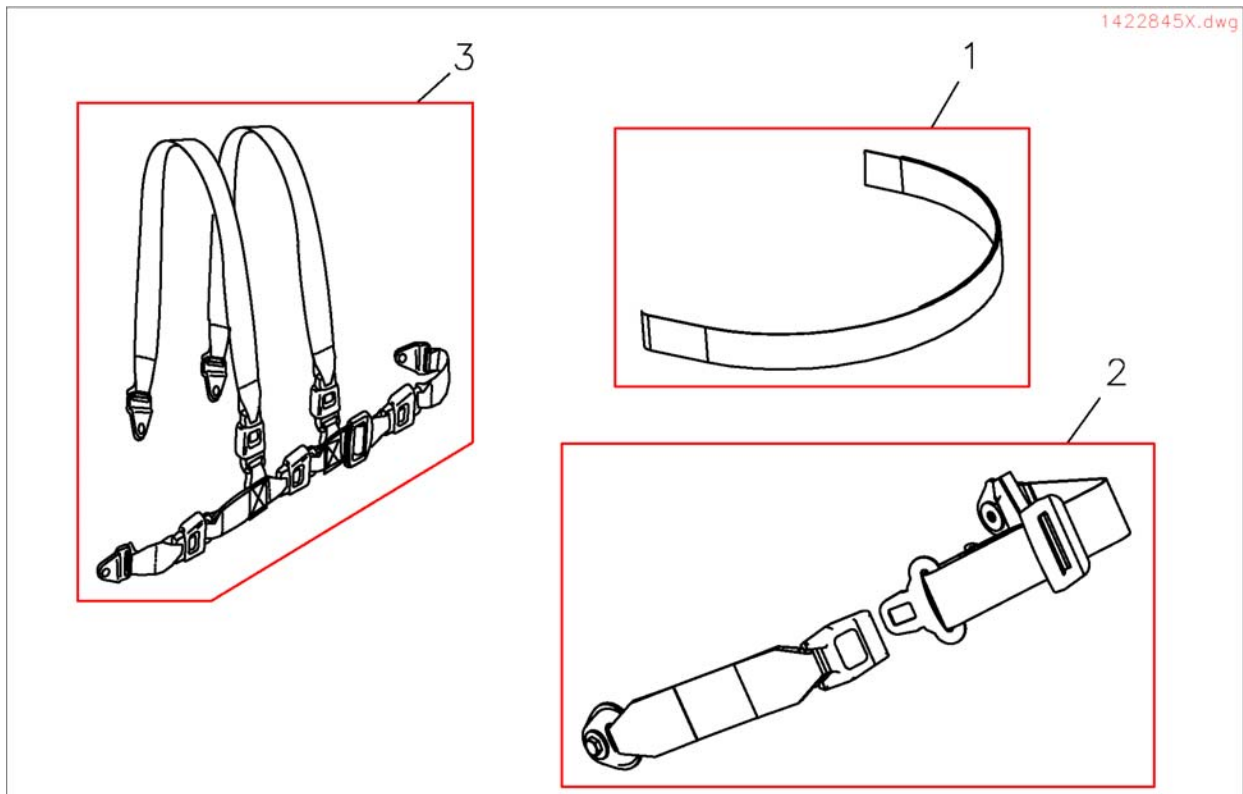
Pos.	Part number	Description	Valid from → until	Qty
1	P50016	BATTERY 70 AH		1
2	SP1423696	Charger 24V/8A With Continental Mains Cable, cpl.		1
2	SP1423697	Charger 24V/8A With Uk Mains Cable, cpl.		1
2	SPP51981	Gel Battery Charger Unit		1
3	P21080	UK 3 Pin Mains Lead		1
3	1466783	Power Cable, 3-pole, black, 6A/250VAC (Switzerland)		1
4	P21079	Charger Power Cable (Shockproof Plug)		1
5	F384020	BATTERY STRAP		1
7	1514080	Batterycable TDX-SP		1
7	SP1527780	Battery Cable ACS2		1
8	1150940	Batteryharness for Tilt with Recline and Lighting		1
9	GSM63003	ACS Bus Cable L=300 mm		1
10	1432561	Strip Fuse Holder with 80A Fuse		1

## Battery Tray Assembly and Wire Harnesses



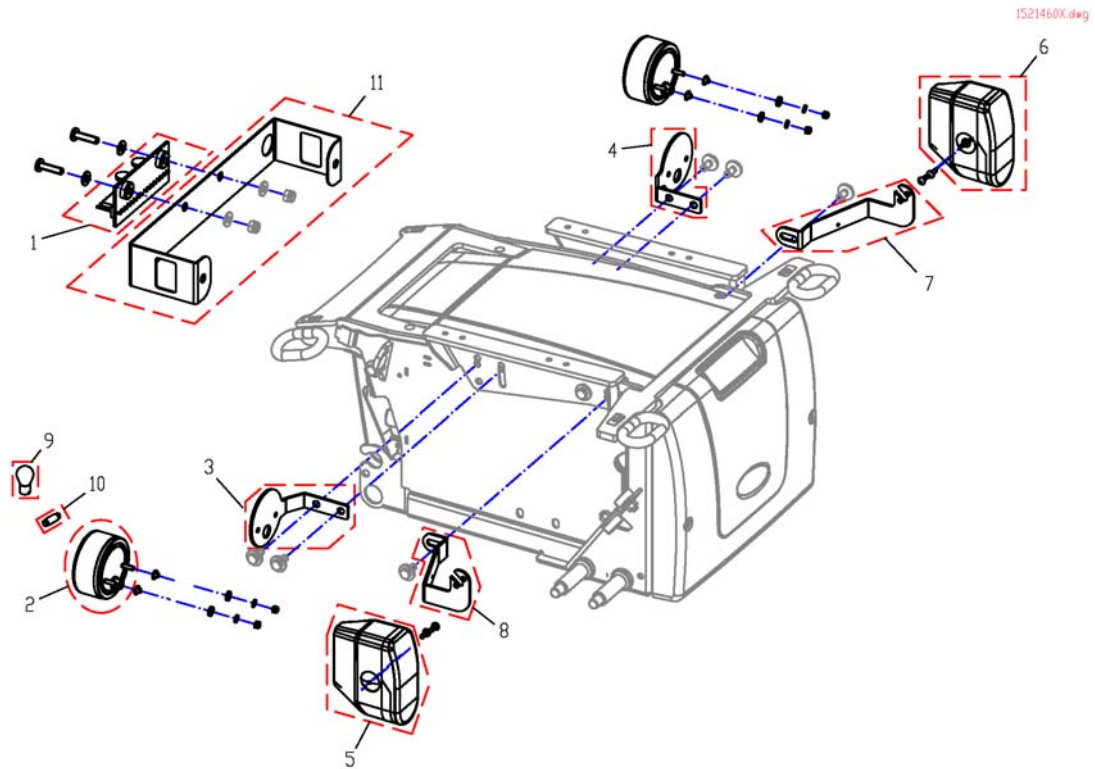
Pos.	Part number	Description	Valid from → until	Qty
1	SP1523007	Battery Wire Harness with Terminal Hardware, GP24 -Rear		1
2	SP1523006	Battery Wire Harness with Terminal Hardware, GP24 -Front		1
4	SP1522970	Package, Cable Ties (11-1/2"Long)		10
5	SP1522972	Screw, Hex Flange Whiz Lock (1/4-20x7/8")		1
6	SP1523191	Battery Strap Assembly, GP24/3-22NF		1
7	SP1523266	Rivet (3/16 x7/16")		1
8	SP1523188	Battery Tray Assembly, TDX SP GP24		1
	SP1523150	Strip, Self Adhesive Wear (2-1/2'Long x1/2"Wide)		1

## Retaining Belts



Pos.	Part number	Description	Valid from → until	Qty
1	1422870	POSITIONING STRAP WITH VELCRO CPL. FOR FLEX/CONTOUR-SEAT		1
1	1422869	Positioning Strap With Velcro cpl. for Junior-Seat		1
2	1422845	Positioning Strap With Snap cpl. For Standard-Seat		1
2	1422846	POSITIONING STRAP WITH SNAP CPL. FOR FLEX/CONTOUR		1
3	SP1422848	Holding Strap For Standard And Contour Seat H-Form cpl.		1
3	SP1422847	HOLDING STRAP FOR FLEX SEAT H-FORM CPL.		1

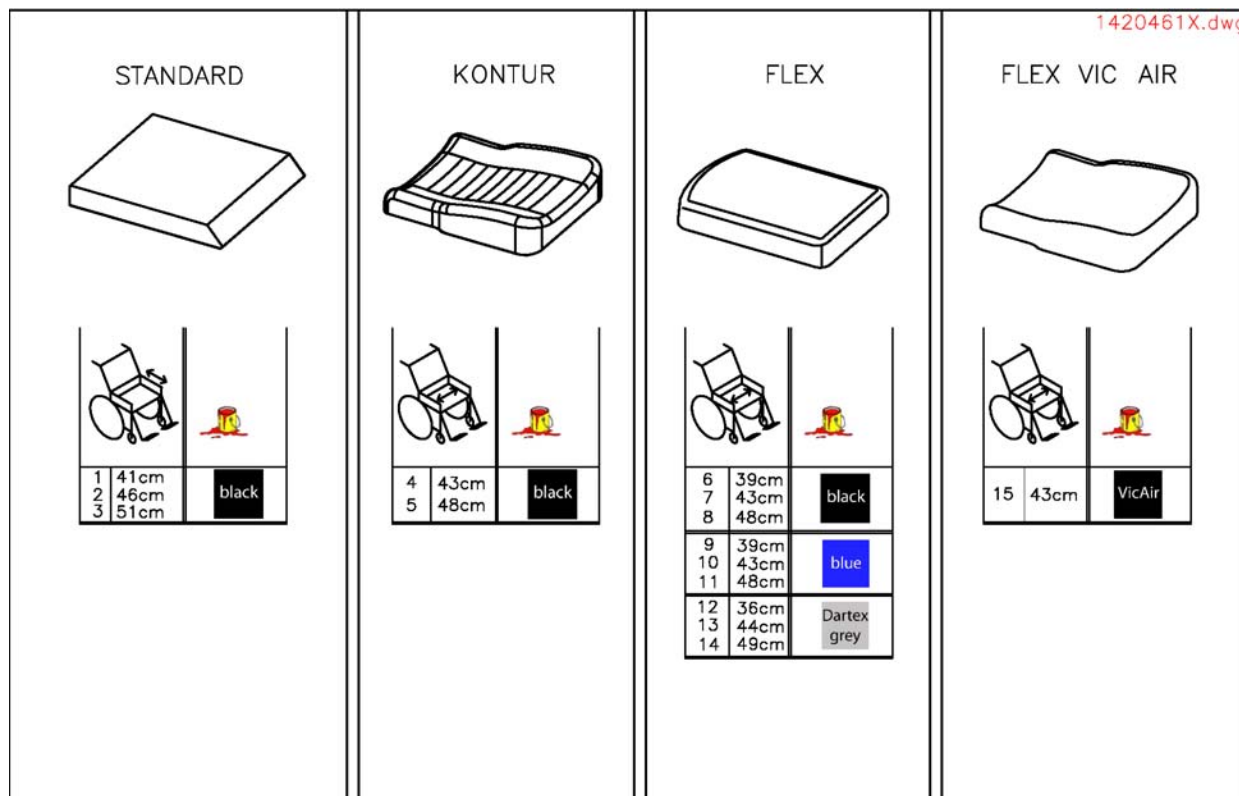
# Lights



Pos.	Part number	Description	Valid from → until	Qty
1	1415004	Central Light Distributor Circuit Board ACS2 / Shark		1
2	1442736	Rear Light 24V, cpl.		1
3	SP1513692	Lamp Support Back RH		1
4	SP1513691	Lamp Support Back LH		1
5	1420412	HEADLIGHT 24V, RIGHT, WITHOUT HOLDER		1
6	1420413	HEADLIGHT 24V, LEFT, WITHOUT HOLDER		1
7	SP1513751	Lamp Support Front LH		1
8	SP1513752	Lamp Support Front RH		1
9	SP1419271	Incandescent Lamp 24V/21W yellow		1
10	SPP31191	Incandescent Lamp 24V/5W white		1
11	SP1513830	Bracket for light connector		1

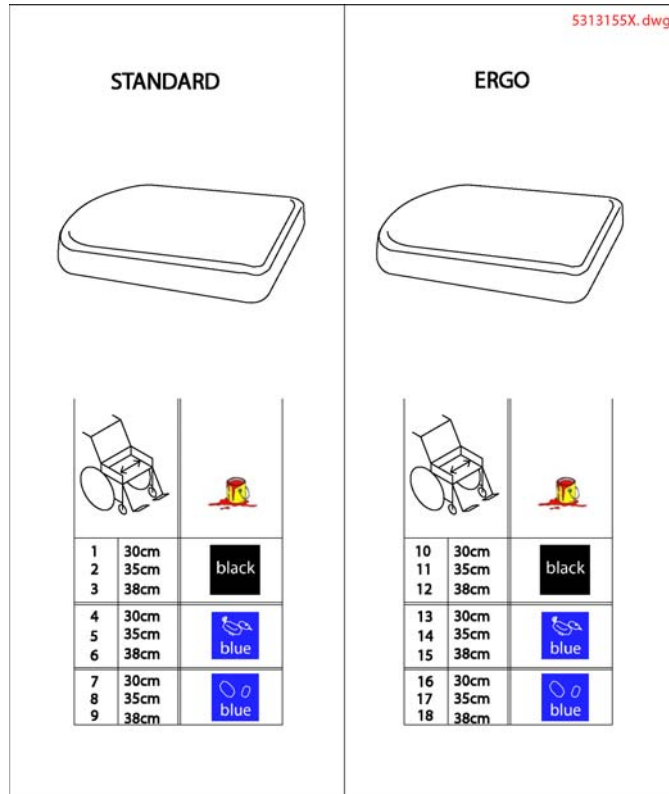


## Seat cushions adults



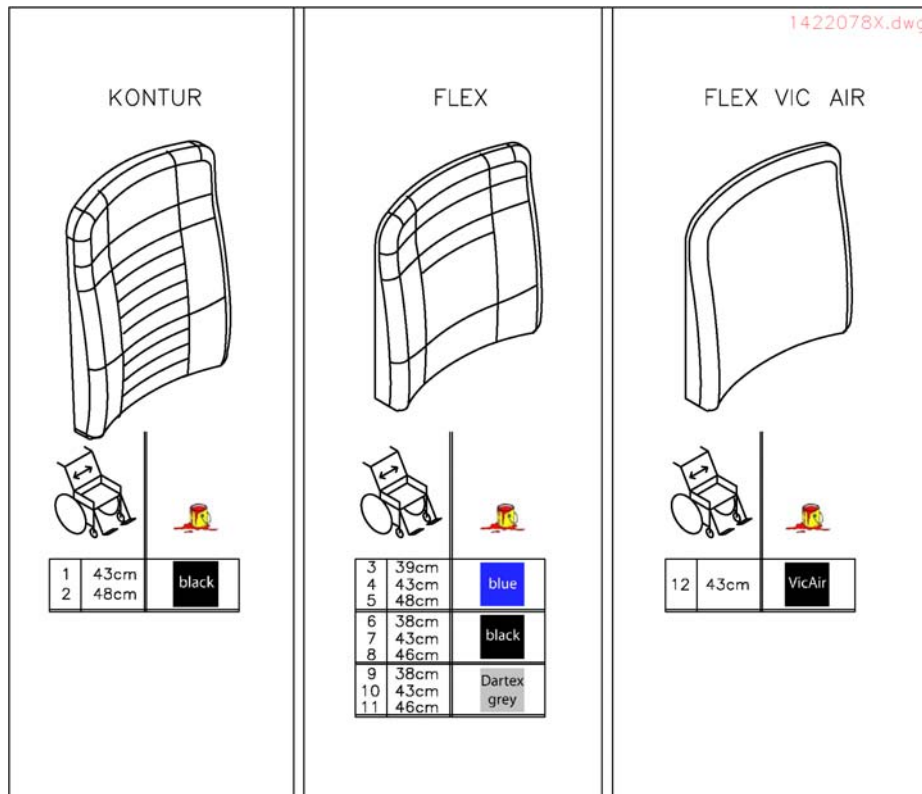
Pos.	Part number	Description	Valid from → until	Qty
1	1420460	Cushion Standard SD 41cm		1
2	1420461	Cushion Standard SD 46cm		1
3	1420462	Cushion Standard SD 51cm		1
4	1422072	Cushion Contour SW43cm, black		1
5	1422074	Cushion Contour SW48cm, black		1
6	1436561	Cushion Flex SW39cm, black		1
7	1436562	Cushion Flex SW43cm, black		1
8	1436563	Cushion Flex SW48cm, black		1
9	1422529	Cushion Flex SW39cm, blue		1
10	1422530	Cushion Flex SW43cm, blue		1
11	1422532	Cushion Flex SW48cm, blue		1
12	5252582-TR23	SEAT CUSHION SB 39; DARTEX		1
13	1428090	Cushion Flex SW43cm, grey Dartex (Bris)		1
14	1428091	Cushion Flex SW48cm, grey Dartex (Bris)		1
15	1422531	Cushion Flex SW43cm, VIC AIR		1

## Seat Cushion for Junior Seat



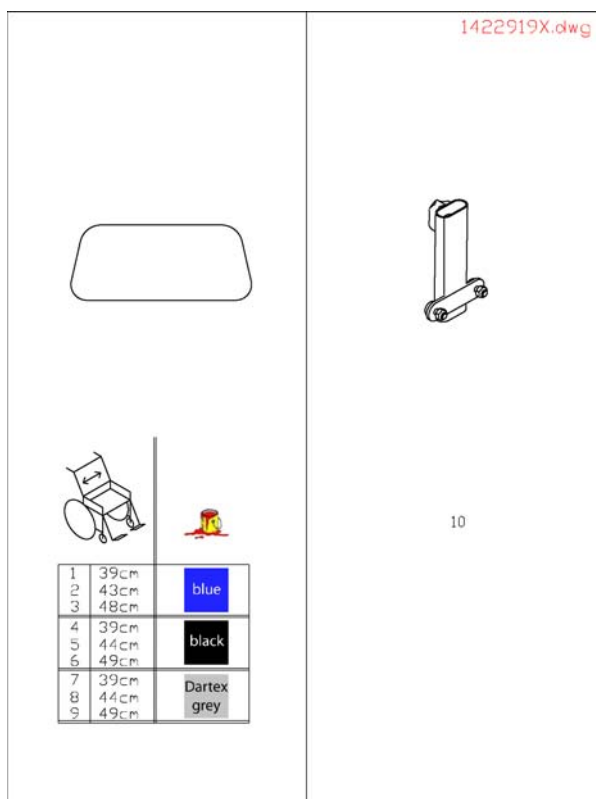
Pos.	Part number	Description	Valid from → until	Qty
1	5313155	Seat Cushion STD SW30cm, Vinyl Black		1
2	5313181	Seat Cushion STD SW35cm, Vinyl Black		1
3	5313207	Seat Cushion STD SW38cm, Vinyl Black		1
4	5313152	Seat Cushion STD SW30cm, Blue Birdie		1
5	5313178	Seat Cushion STD SW35cm, Blue Birdie		1
7	5313154	Seat Cushion STD SW30cm, Blue Dot		1
8	5313180	Seat Cushion STD SW35cm, Blue Dot		1
9	5313206	Seat Cushion STD SW38cm, Blue Dot		1
10	5313159	Seat Cushion Ergo SW30cm, Vinyl Black		1
11	5313185	Seat Cushion Ergo SW35cm, Vinyl Black		1
12	5313211	Seat Cushion Ergo SW38cm, Vinyl Black		1
15	5313208	Seat Cushion Ergo SW38cm, Blue Birdie		1
16	5313158	Seat Cushion Ergo SW30cm, Blue Dot		1
17	5313184	Seat Cushion Ergo SW35cm, Blue Dot		1
18	5313210	Seat Cushion Ergo SW38cm, Blue Dot		1

## Backrest Cushions



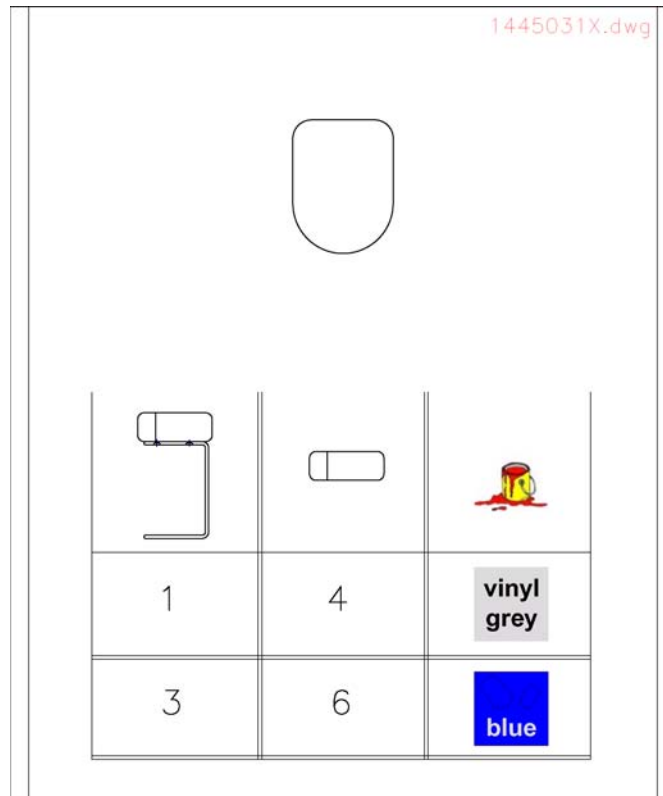
Pos.	Part number	Description	Valid from → until	Qty
-	SP1423216	PADDED BACKREST UPHOLSTERY ASSEMBLY KIT		1
1	SP1422076	Back Cushion Contour, SW 43cm, black		1
2	SP1422078	Back Cushion Contour, SW 48cm, black		1
3	1422534	Back Cushion SW39cm, blue		1
4	1422535	Back Cushion SW43cm, blue		1
5	1422536	Back Cushion SW48cm, blue		1
6	1436564	Back Cushion SW39cm, black		1
7	1436565	Back Cushion SW43cm, black		1
8	1436566	Back Cushion SW48cm, black		1
9	5252506-TR23	Back Cushion SW39cm, Dartex		1
10	5252507-TR23	Back Cushion SW43cm, Dartex		1
11	5252508-TR23	Back Cushion SW48cm, Dartex		1
12	1422537	Back Cushion SW43cm, VIC AIR		1

## Backrest Extension



Pos.	Part number	Description	Valid from → until	Qty
1	SP1422918	Backrest Extension for Flex Seat, SW39cm, blue		1
2	SP1422919	Backrest Extension for Flex Seat, SW43cm, blue		1
3	SP1422920	Backrest Extension for Flex Seat, SW48cm, blue		1
4	SP1436567	Backrest Extension for Flex Seat, SW39cm, black		1
5	1436568	Backrest Extension for Flex Seat, SW43cm, black		1
6	SP1440283	Backrest Extension for Flex Seat, SW48cm, black		1
7	5253035-TR23	Backrest Extension for Flex Seat, SW39cm, Dartex		1
8	5253036-TR23	Backrest Extension for Flex Seat, SW43cm, Dartex		1
9	5253037-TR23	Backrest Extension for Flex Seat, SW48cm, Dartex		1
10	SP1422921	Fixation for Backrest Extension		1

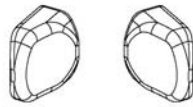
## Abduction Wedge



Pos.	Part number	Description	Valid from → until	Qty
1	SP1445033	Abduction Wedge Junior, grey Vinyl, with Bracket		1
3	SP1445032	Abduction Wedge Junior, Blue Dot, with Bracket		1
4	SP5313257	Abduction Wedge Junior, grey Vinyl, wo Bracket		1
6	SP5313256	Abduction Wedge Junior, Blue Dot, wo Bracket		1

# Trunk Support

1440284.dwg

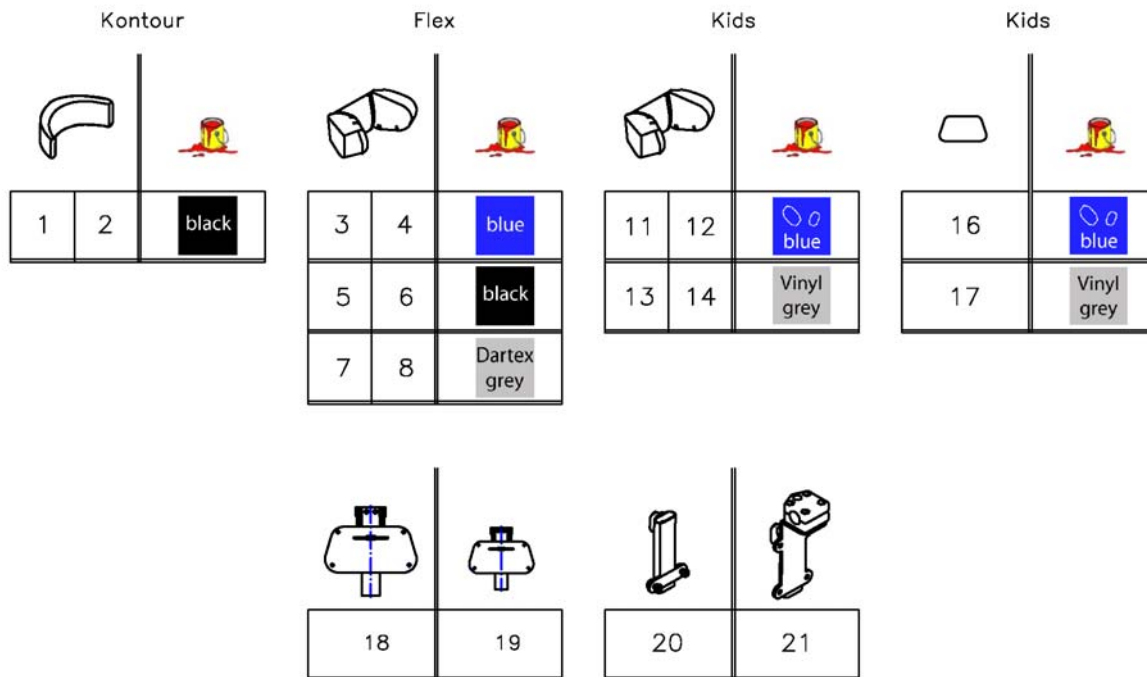


		
RH	LH	
1		black
2		blue
3		Dartex grey
6	7	 blue
8	9	Vinyl grey

Pos.	Part number	Description	Valid from → until	Qty
1	SP1440284	Trunk Support for Flex, black		1
2	SP1422545	Trunk Support for Flex, blue		1
3	SP5253068	Trunk Support for Flex, grey Dartex		1
6	SP5313271	Trunk Support RH for Junior, blue Dot		1
7	SP5313275	Trunk Support LH for Junior, blue Dot		1
8	SP5313272	Trunk Support RH for Junior, grey vinyl		1
9	SP5313276	Trunk Support LH for Junior, grey vinyl		1

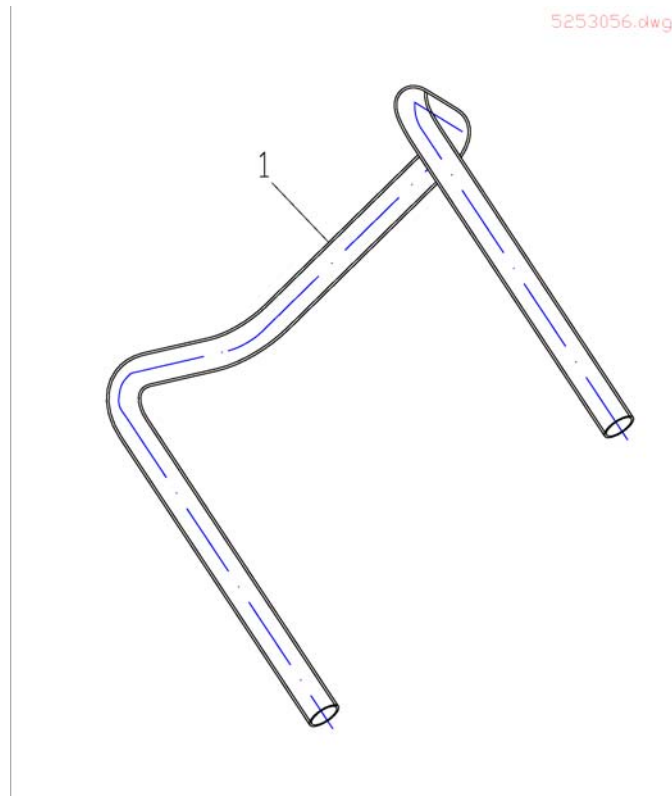
# Head- & Neckrests

1422865X.dwg



Pos.	Part number	Description	Valid from → until	Qty
1	SP1422925	Headrest Standard/Contour Black cpl.		1
2	SP1422865	Headrest Cushion Contour Black, Wo Bracket		1
3	SP1422926	Headrest Flex-Seat blue, cpl.		1
4	SP1422544	Headrest cushion Flex blue, wo Bracket		1
5	SP1440285	Headrest Flex-Seat black, cpl.		1
6	SP1442869	Headrest Flex-Seat black, cpl.		1
7	SP1428092	Headrest Flex-Seat Dartex grey, cpl.		1
8	SP5252229	Headrest cushion Flex Dartex grey, without Bracket		1
11	SP5313307	Headrest cushion Junior, blue Dot, cpl.		1
12	SP5313261	Headrest cushion Junior, blue Dot, wo Bracket		1
13	SP5313308	Headrest Cushion Junior, Grey Vinyl, cpl.		1
14	SP5313262	Headrest Cushion Junior, Grey Vinyl, Wo Bracket		1
16	SP5313311	Neckrest Cushion Junior, Blue Dot		1
17	SP5313312	Neckrest Cushion Junior, grey Vinyl		1
18	SP1419636	Bracket for Neckrest		1
19	SP1419637	Neckrest Holder Typ3 short		1
20	SP1422547	Headrest Bracket For Contour-/Flex Seat cpl.		1
21	SP1422914	Headrest Bracket For Standard Seat cpl.		1

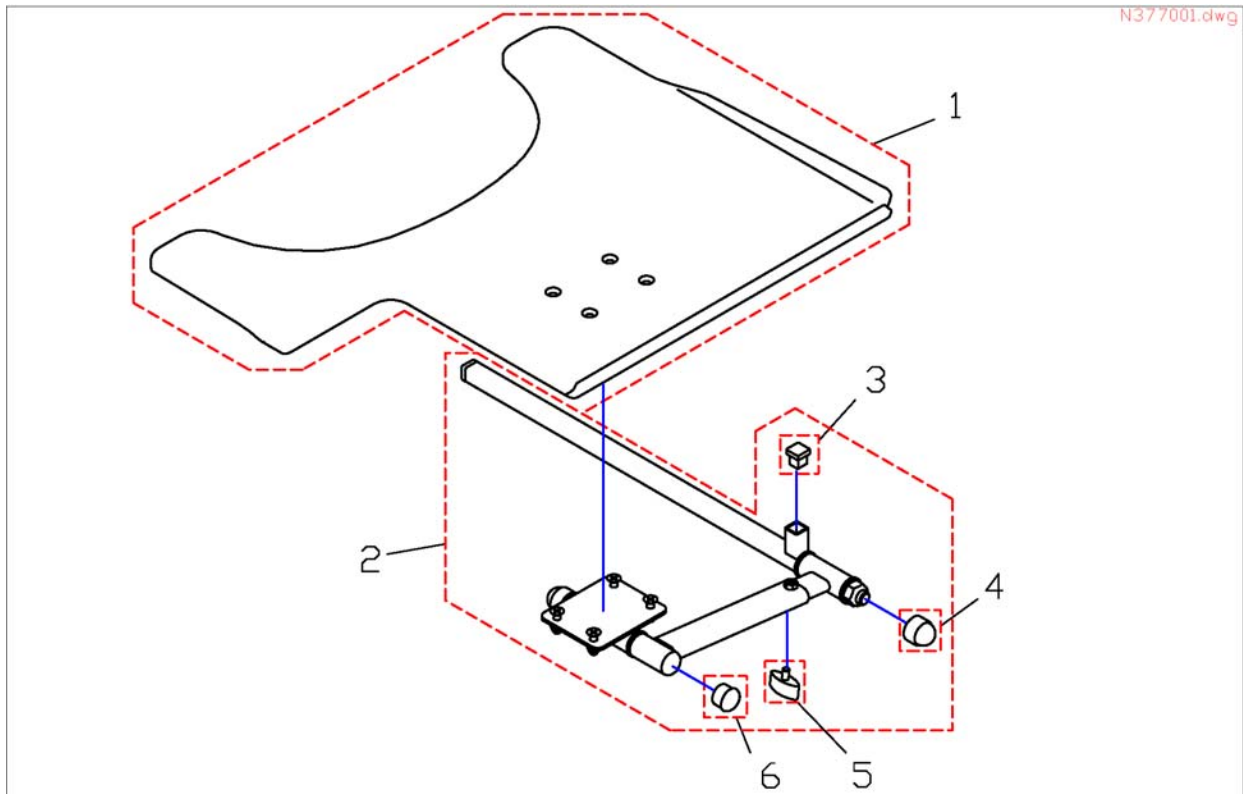
# Push Handle



Pos.	Part number	Description	Valid from → until	Qty
1	SP1425839	Push Handle Flex SW 43/48cm		1
1	SP1425840	Backrest Frame Contour SW 39cm		1
2	SP1524672	Push Handle (single one)		1



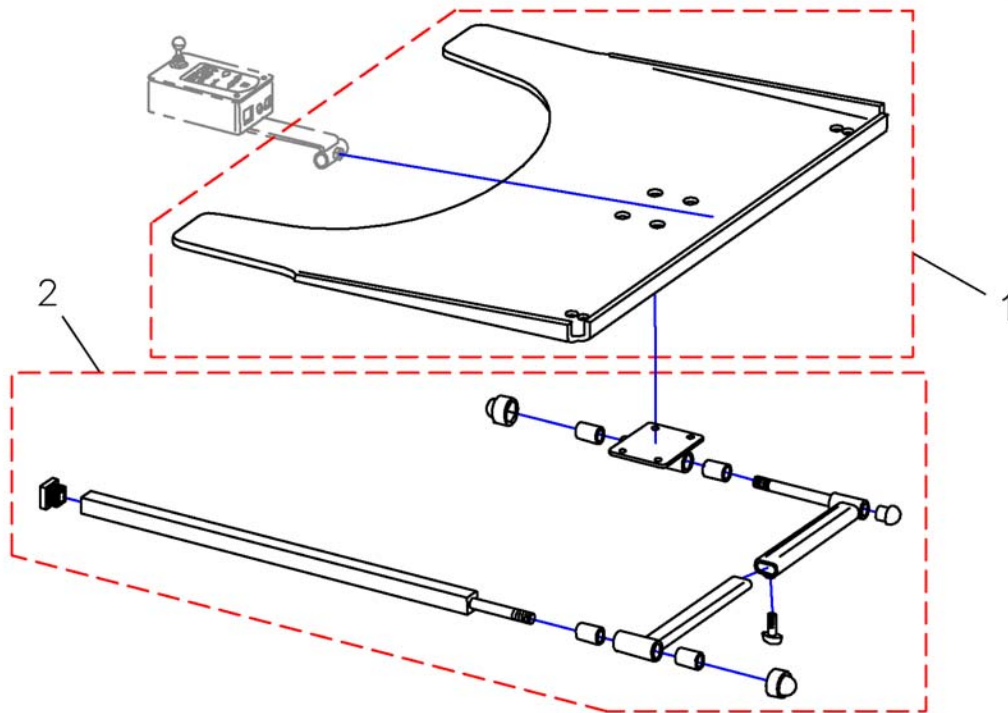
## Desk / children



Pos.	Part number	Description	Valid from → until	Qty
	N377002	TRAY SWING AWAY F. REMOTE CONTROL LH		1
	N377001	TRAY SWING AWAY F. REMOTE CONTROL RH		1
1	4100007	TABLETOP 540 x 420 x 8 MM WITHOUT CUT-OUT		1
1	1415083	Tabletop Cut RH		1
1	1415084	Tabletop Cut LH		1
2	1446698	TRAY SUPPORT FIXING KIT CPL.		1
3	-	Tube End Plug E 15 X 15		1
4	-	Sks Nut Cap M12		1
5	-	Handknob		1
6	-	Tube End Plug SI 22		1

# Tray

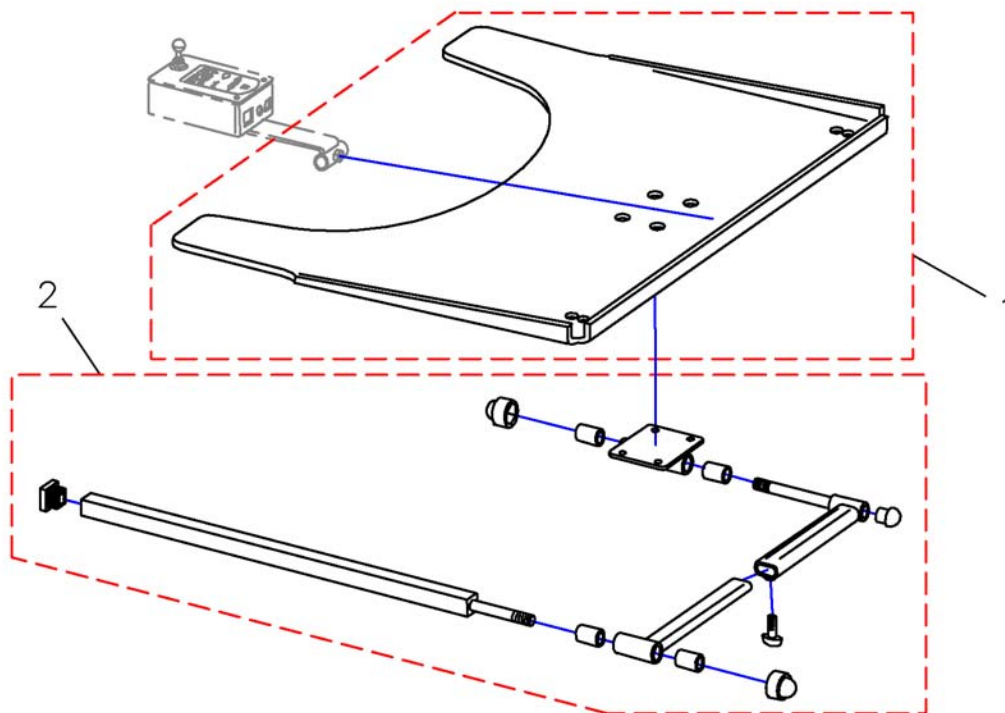
Z177036.dwg



Pos.	Part number	Description	Valid from → until	Qty
-	SP1422954	Swing-Out Tray Without Cut-Out, cpl.		1
-	SP1422953	Swing-Out Tray With Cut-Out F. Control RH cpl.		1
-	SP1422952	Swing-Out Tray With Cut-Out F. Control LH cpl.		1
1	Z177017	Tray-LH Control, Transparent		1
1	Z177016	Tray-RH Control, Transparent		1
1	Z17024A	Tray 660 X 540 X 8, Transparent		1
2	SPZ177011	Tray holder		1

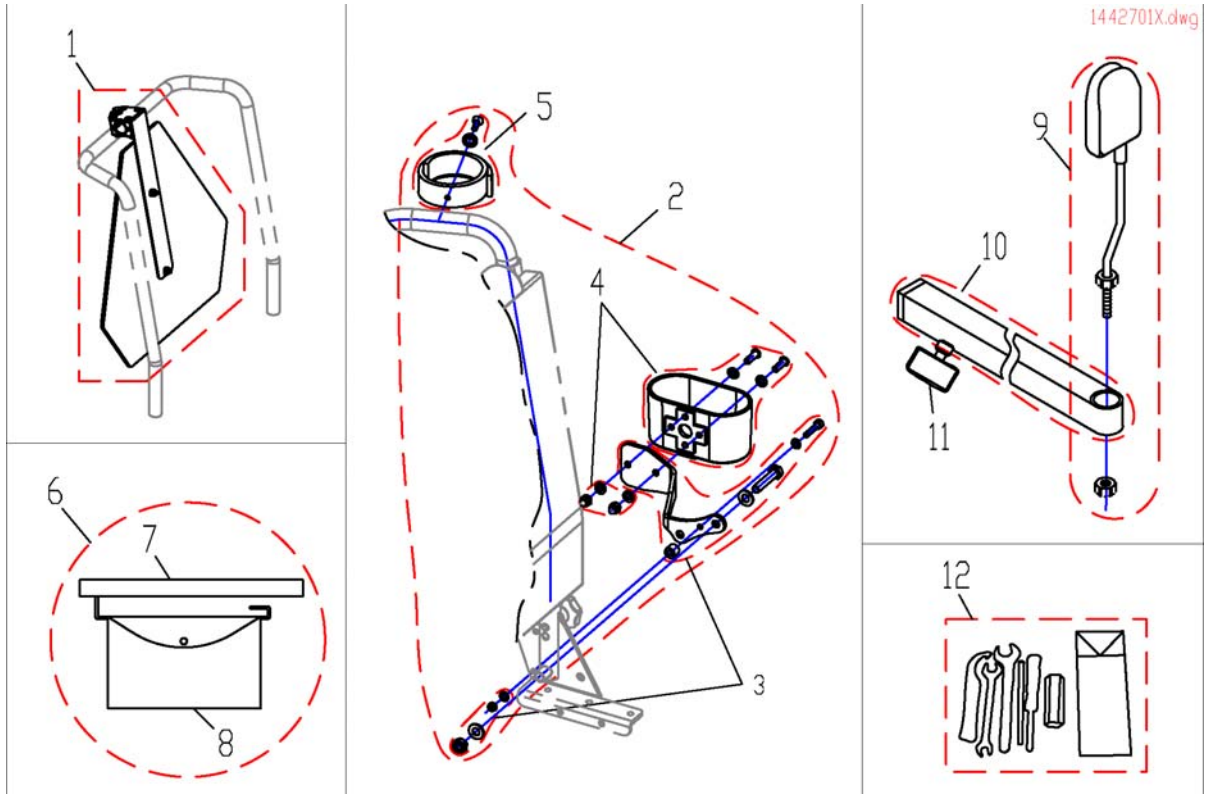
# Tray

Z177036.dwg



Pos.	Part number	Description	Valid from → until	Qty
-	SPN377002	Tray LH Foldaway With Holder With Cut-Out For Remote RH, Junior-Seat		1
-	SPN377001	Tray RH Foldaway With Holder With Cut-Out For Remote LH, Junio-Seat		1
-	SP1422953	Swing-Out Tray With Cut-Out F. Control RH cpl.		1
-	SP1422952	Swing-Out Tray With Cut-Out F. Control LH cpl.		1
1	Z177016	Tray-RH Control, Transparent		1
1	1415083	Tabletop Cut RH		1
1	Z177017	Tray-LH Control, Transparent		1
1	1415084	Tabletop Cut LH		1
2	-	Tube End Plug SI 22		1
3	-	Sks Nut Cap M12		1
4	-	Handknob		1
5	-	Bush Rd. 19 X 3.5 X 25		1
6	-	Tube End Plug E 15 X 15		1
7	SPZ177011	Tray holder		1

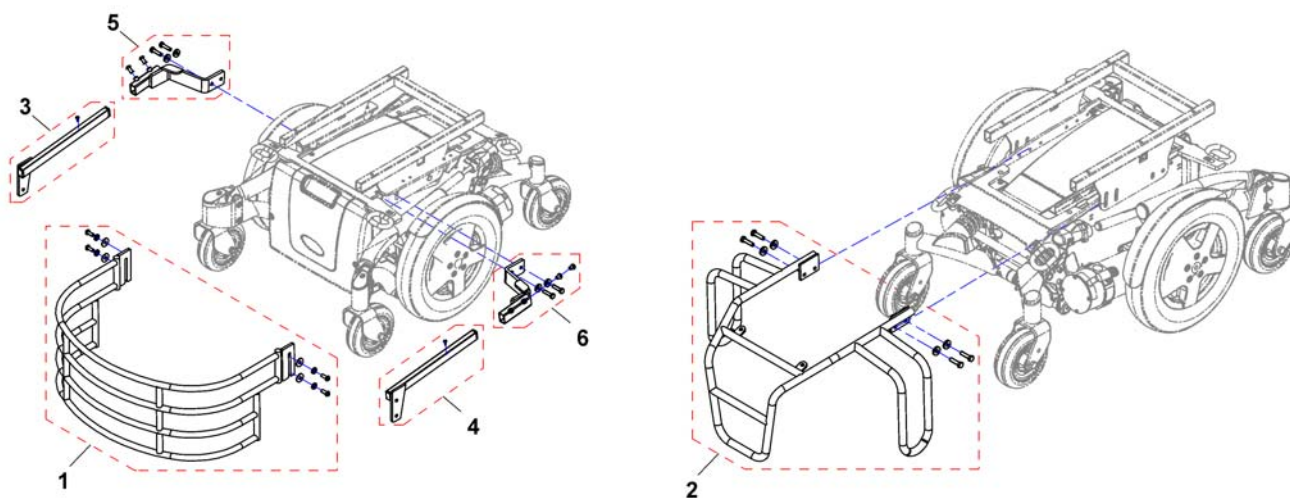
## Other Options



Pos.	Part number	Description	Valid from → until	Qty
-	1449280	USB Wizard Dongle Kit, EDL-USB, cpl.		1
1	1430410	KIT TRIANGLE WARNINGMISTRAL		1
2	SP1442901	Cane Holder for Standard-Seat, LH		1
2	SP1534877	Cane Holder for Standard-Seat, RH		1
3	SP5007160	Holder LH		1
3	SP1537809	Holder RH		1
4	SP5824185	Cup for Caneholder		1
5	SP5009551	Belt for Caneholder		1
6	SP1430416	Bag For Side Panel RH cpl.		1
7	SP1430855	Holder for Armrest Bag		1
8	SP5314967	Bag for Armrest		1
9	SP1422955	Rear Mirror		1
10	SP1423435	Rear Mirror Support Rail cpl.		1
11	SPL31001	Wing ScREW M6x10		1
12	1488745	Imperial Allen Key Set		1

# Bumper

1537299K.dwg



Pos.	Part number	Description	Valid from → until	Qty
1	SP1504203	Front Bumper, rubberrised, cpl.		1
2	SP1537300	Rear bumper, cpl.		1
3	SP1537894	Holder frontbumper, RH		1
4	SP1537895	Holder frontbumper, LH		1
5	SP1537896	Frameholder, RH		1
6	SP1537897	Frameholder, LH		1



Yes, you can.®



---

**Belgium & Luxemburg:**

Invacare nv, Autobaan 22, B-8210 Loppem  
Tel: (32) (0)50 83 10 10, Fax: (32) (0)50 83 10 11  
belgium@invacare.com

**Danmark:**

Invacare A/S, Sdr. Ringvej 37, DK-2605 Brøndby  
Tel: (45) (0)36 90 00 00, Fax: (45) (0)36 90 00 01  
denmark@invacare.com

**Deutschland:**

Invacare Aquatec GmbH, Alemannenstraße 10, D-88316 Isny  
Tel: (49) (0)75 62 7 00 0, Fax: (49) (0)75 62 7 00 66  
info@invacare-aquatec.com

**European Distributor Organisation:**

Invacare, Kleiststraße 49, D-32457 Porta Westfalica  
Tel: (49) (0)57 31 754 540, Fax: (49) (0)57 31 754 541  
edo@invacare.com

**España:**

Invacare SA, c/Areny s/n, Polígon Industrial de Celrà, E-17460 Celrà (Girona)  
Tel: (34) (0)972 49 32 00, Fax: (34) (0)972 49 32 20  
contactsp@invacare.com

**France:**

Invacare Poirier SAS, Route de St Roch, F-37230 Fondettes  
Tel: (33) (0)2 47 62 64 66, Fax: (33) (0)2 47 42 12 24  
contactfr@invacare.com

**Ireland:**

Invacare Ireland Ltd, Unit 5 Seatown Business Campus, Seatown Road, Swords, County Dublin - Ireland  
Tel: (353) 1 810 7084, fax: (353) 1 810 7085  
ireland@invacare.com

**Italia:**

Invacare Mecc San s.r.l., Via dei Pini 62, I-36016 Thiene (VI)  
Tel: (39) 0445 38 00 59, Fax: (39) 0445 38 00 34  
italia@invacare.com

**Nederland:**

Invacare BV, Celsiusstraat 46, NL-6716 BZ Ede  
Tel: (31) (0)318 695 757, Fax: (31) (0)318 695 758  
nederland@invacare.com, csede@invacare.com

**Norge:**

Invacare AS, Grensesvingen 9, Postboks 6230, Etterstad, N-0603 Oslo  
Tel: (47) (0)22 57 95 00, Fax: (47) (0)22 57 95 01  
norway@invacare.com, island@invacare.com

**Österreich:**

Mobitec Mobilitätshilfen GmbH, Herzog Odilostrasse 101, A-5310 Mondsee  
Tel: (43) 6232 5535 0, Fax: (43) 6232 5535 4  
office@mobitec-austria.com, austria@invacare.com

**Portugal:**

Invacare Lda, Rua Estrada Velha, 949, P-4465-784 Leça do Balio  
Tel: (351) (0)225 1059 46147, Fax: (351) (0)225 1057 39  
portugal@invacare.com

**Sverige & Suomi:**

Invacare AB, Fagerstagatan 9, S-163 91 Spånga  
Tel: (46) (0)8 761 70 90, Fax: (46) (0)8 761 81 08  
sweden@invacare.com, finland@invacare.com

**Switzerland:**

Mobitec Rehab AG, Benkenstrasse 260, CH-4108 Witterswil  
Tel: (41) (0)61 487 70 80, Fax: (41) (0)61 487 70 81  
office@mobitec-rehab.ch, switzerland@invacare.com

**United Kingdom:**

Invacare Limited, Pencoed Technology Park, Pencoed, Bridgend CF35 5HZ  
Switchboard Tel: (44) (0)1656 776200, Fax: (44) (0)1656 776201  
Customer services Tel: (44) (0)1656 776222, Fax: (44) (0)1656 776220  
UK@invacare.com