

Spare Parts Catalogue

Version: 2010/08/11a EN



**Invacare® Storm³
Competition / FFH**



Yes, you can.®

General Information

For any order of spare parts the following information is required:

- Product type*
- Product name & model*
- Serial Number*
- Part-Number*
- Part-Description*

Exploded view drawings and code numbers are not contractual and subject to modification, in relation to Invacare® continuous product improvement policy to meet end users needs.

The reproduction or use of this work, or of any substantial part of this work, in any form or by any electronic, mechanical or other means, including photocopying, scanning and recording, and in any information storage and retrieval system, including electronic transmission, is forbidden without the prior written permission of Invacare® International Sarl.



Yes, you can.®

TABLE OF CONTENTS

Information

User Manuals Storm3 FFH/Competition	5
User Manuals REM24SD	6
User Manuals Miscellaneous	7

Chassis

Chassis	8
Battery Tray	9
Shrouds	10

Seat

Seat	11
Seat Cushion	12

Backrest

Backrest adjustment	13
---------------------------	----

Legrest

Legrest fixation	14
Vari A Hanger RH/LH 07.2005 ==>	15
Vari F Hanger RH/LH	16
Calf Plate Holder LH/RH 07.2005 ==>	17

Footrest

Footplate flip up 01.08.10 ==>	18
Footplate flip up, angle-adjustable 01.08.10 ==>	19
Footrest Lower Parts	20

Siderest

Armrest cpl. 01.01.09 ==>	21
armrest standard	22

Front Wheels

Front Wheel	23
-------------------	----

Rear Wheels

Rear Wheel	24
Anti-Tipp-Rad	25
Rear fenders	26

Propulsion

Propulsion	27
------------------	----

Brakes

Decoupling	28
Brakes	29



Yes, you can.®

TABLE OF CONTENTS

Controls Drive

Electronic	30
------------------	----

Controls Adjustment

Control Unit	31
REM 24SD	32
Control Unit Support- standard / swing away	33

Cable & Charger

Electric Support	34
Cable	35

Safety Options

Front Lights	36
Rear Lights	37
Fixation Belt	38

Seating Options

Headrest & Bracket	39
--------------------------	----

Other Options & Accessories

Bumper UK	40
Bumper FR	41

User Manuals Storm3 FFH/Competition

CS	ČESKY	FR	FRANÇAIS	PL	POLSKI
DA	DANSK	HR	HRVATSKI	PT	PORTUGUÊS
DE	DEUTSCH	HU	MAGYAR	SK	SLOVENČINA
EN	ENGLISH	IT	ITALIANO	SL	SLOVENŠČINA
ES	ESPAÑOL	LT	LIETUVIŲ KALBA	SV	SVENSKA
ET	EESTI KEEL	NL	NEDERLANDS	RO	ROMÂNĂ
FI	SUOMEN KIELI	NO	NORSK	JA	日本語

Pos.	Part number	Description	Valid from → until	Qty
FR	1448639	User Manual Storm³ FFH/Competition French		1
DE	1450398	User Manual Storm³ FFH/Competition German		1
EN	1496160	User Manual Storm³ FFH/Competition English		1
NL	1511698	User Manual Storm³ FFH/Competition Dutch		1
DA	1514320	User Manual Storm³ FFH/Competition Danish		1
PL	1524766	User Manual Storm³ FFH/Competition Polish		1
IT	1528335	User Manual Storm³ FFH/Competition Italian		1

User Manuals REM24SD

CS	ČESKY	FR	FRANÇAIS	PL	POLSKI
DA	DANSK	HR	HRVATSKI	PT	PORTUGUÊS
DE	DEUTSCH	HU	MAGYAR	SK	SLOVENČINA
EN	ENGLISH	IT	ITALIANO	SL	SLOVENŠČINA
ES	ESPAÑOL	LT	LIETUVIŲ KALBA	SV	SVENSKA
ET	EESTI KEEL	NL	NEDERLANDS	RO	ROMÂNĂ
FI	SUOMEN KIELI	NO	NORSK	JA	日本語

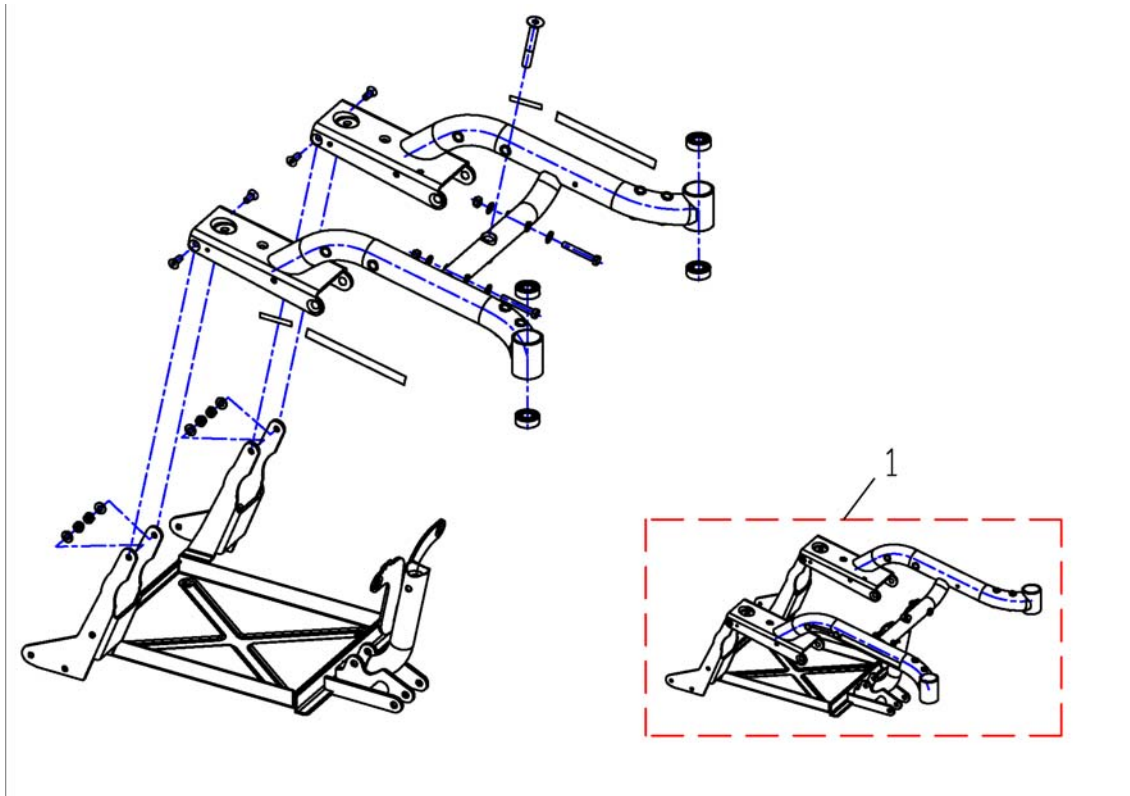
Pos.	Part number	Description	Valid from → until	Qty
DE	1436142	User Manual REM24SD German		1
FR	1436143	User Manual REM24SD French		1
EN	1436144	User Manual REM24SD English		1
SV	1436145	User Manual REM24SD Swedish		1
DA	1436146	User Manual REM24SD Danish		1
NO	1436147	User Manual REM24SD Norwegian		1
NL	1436148	User Manual REM24SD Dutch		1
ES	1436149	User Manual REM24SD Spanish		1
PT	1436150	User Manual REM24SD Portuguese		1
IT	1436385	User Manual REM24SD Italian		1
FI	1436386	User Manual REM24SD Finnish		1

User Manuals Miscellaneous

CS	ČESKY	FR	FRANÇAIS	PL	POLSKI
DA	DANSK	HR	HRVATSKI	PT	PORTUGUÊS
DE	DEUTSCH	HU	MAGYAR	SK	SLOVENČINA
EN	ENGLISH	IT	ITALIANO	SL	SLOVENŠČINA
ES	ESPAÑOL	LT	LIETUVIŲ KALBA	SV	SVENSKA
ET	EESTI KEEL	NL	NEDERLANDS	RO	ROMÂNĂ
FI	SUOMEN KIELI	NO	NORSK	JA	日本語

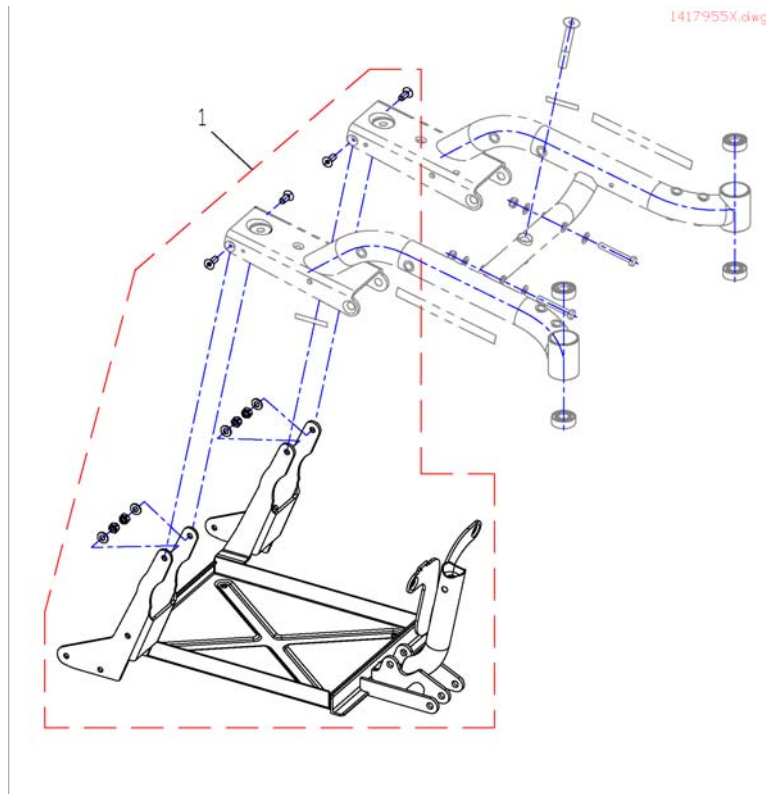
Pos.	Part number	Description	Valid from → until	Qty
DE	1419316	User Manual Handheld Programmer German		1
EN	1419317	User Manual Handheld Programmer English		1
DE	Q99081	User Manual Table- & Middle Control REM41-S German		1
FR	Q99082	User Manual Chin Control, French		1
DE	Q99083	User Manual Chin Control, German		1
ED	Q99086	User Manual Chin Control, English		1

Chassis



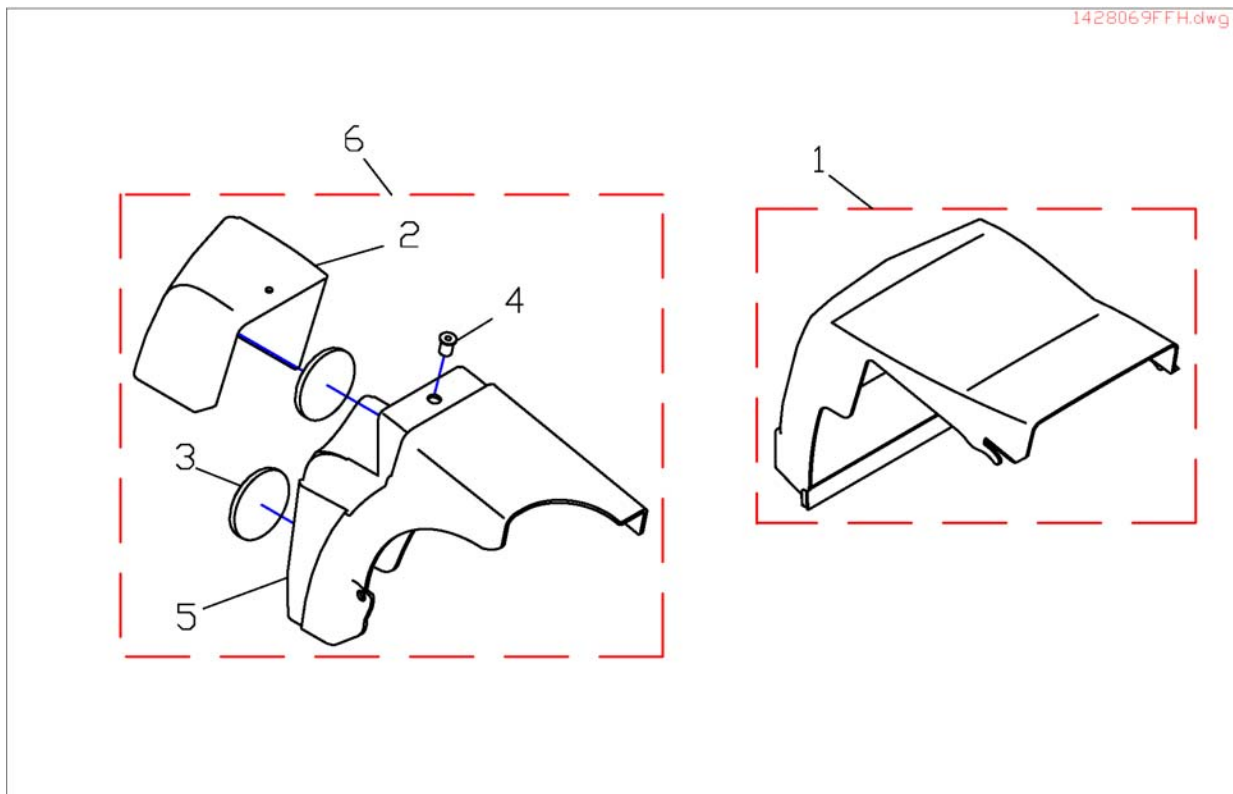
Pos.	Part number	Description	Valid from → until	Qty
1	1446746	Part not for sale		1

Battery Tray



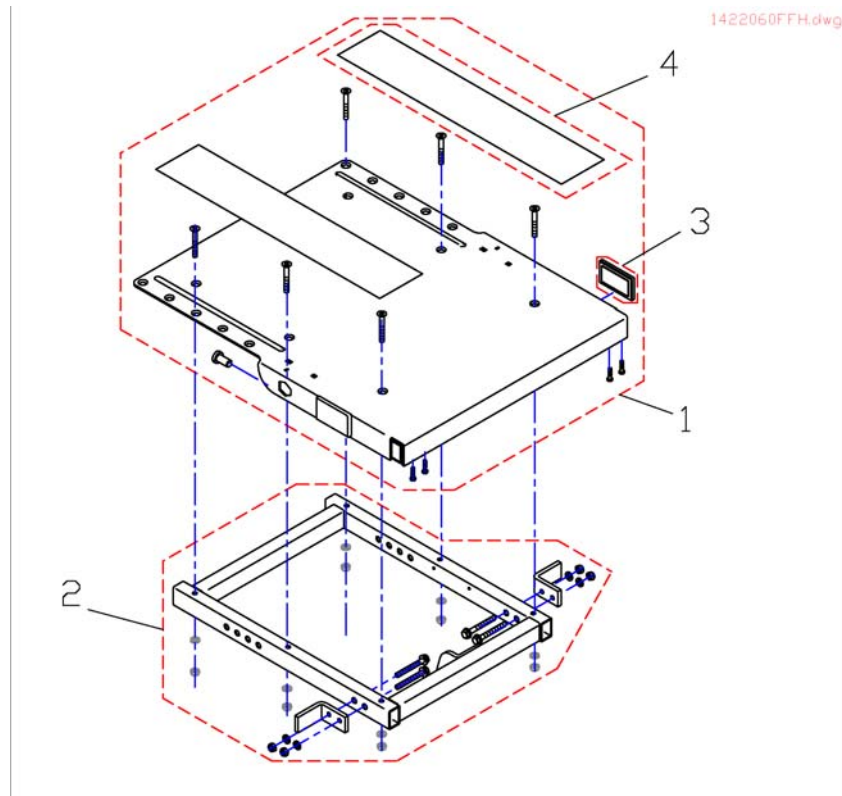
Pos.	Part number	Description	Valid from → until	Qty
1	1417955-9005	PREASSEMBLED BATTERY FRAME		1

Shrouds



Pos.	Part number	Description	Valid from → until	Qty
1	SP1421846	BATTERY COVER SILVER CPL.		1
1	SP1523484	Batterycover, silver, for Competition Set (with bore hole and cutout)		1
2	SP1421738	LAMP CASING, NO LIGHTS		1
2	SP1421739	LAMP CASING, NO LIGHTS		1
3	1419274	Reflector Red, Round		1
4	1422052	GETO WELL NUT M5		1
5	1419333	REAR LIGHT SUPPORT LH		1
5	1419334	REAR LIGHT SUPPORT RH		1
6	SP1419335	LIGHT SUPPORT WITHOUT LIGHT & LUGGAGE CARRIER CPL.		1

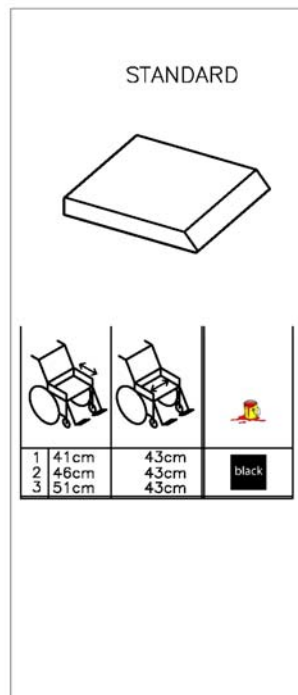
Seat



Pos.	Part number	Description	Valid from → until	Qty
1	SP1523641	Seatplate compl.		1
2	SP1523642	Seatframe compl.		1
3	SPP31298	Reflector, yellow		1
4	SPU21087	Velcro		1

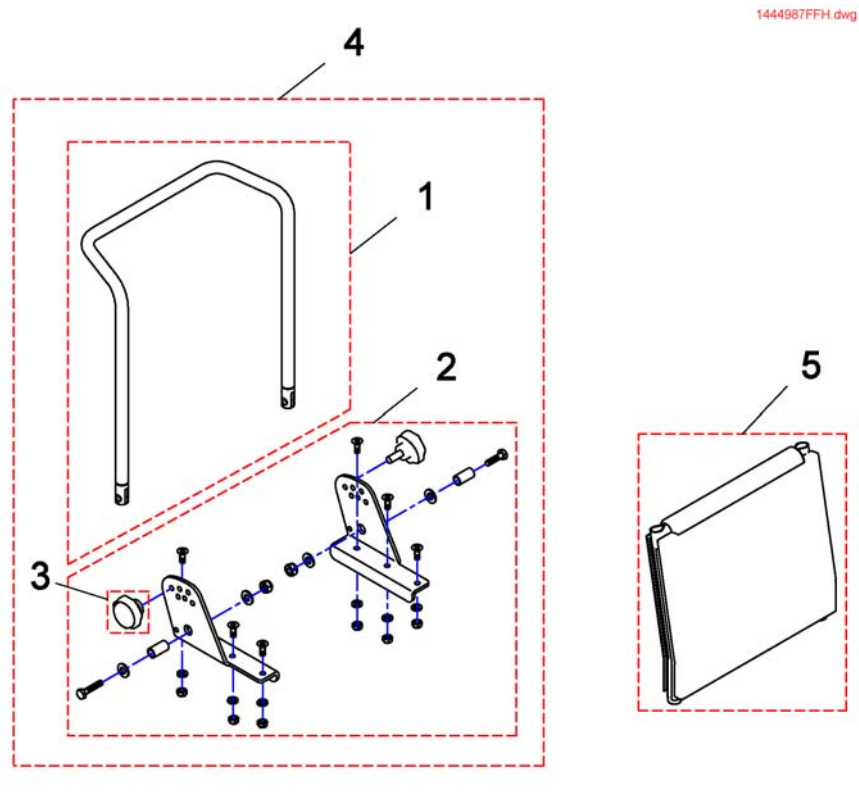
Seat Cushion

1420460FFH.dwg



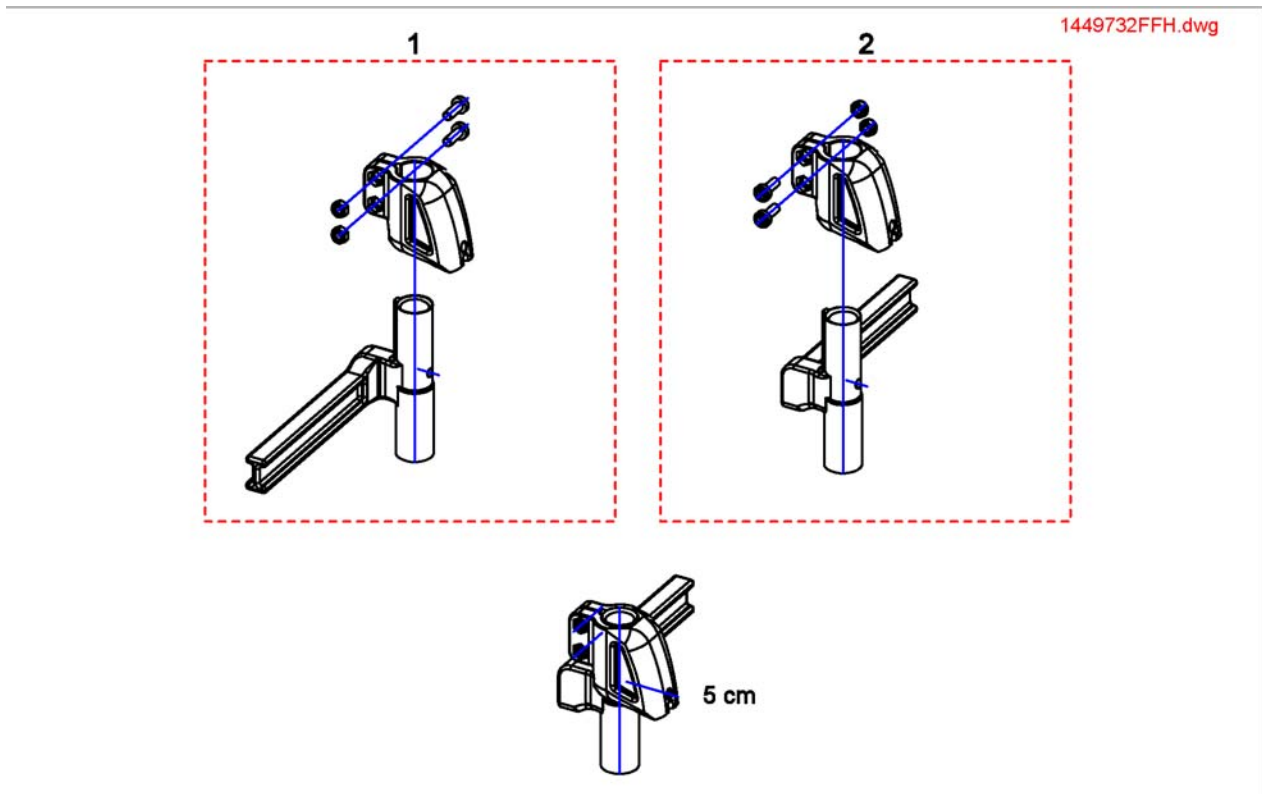
Pos.	Part number	Description	Valid from → until	Qty
1	1420460	Cushion Standard SD 41cm		1
2	1420461	Cushion Standard SD 46cm		1
3	1420462	Cushion Standard SD 51cm		1

Backrest adjustment

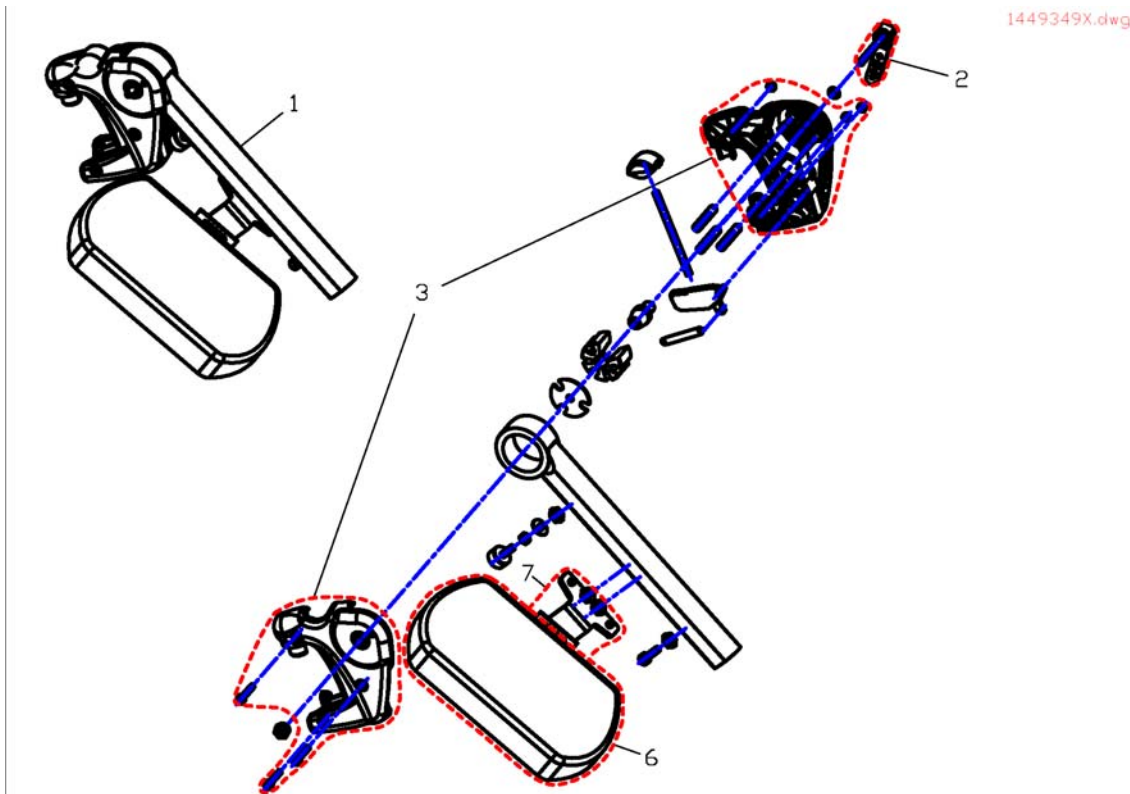


Pos.	Part number	Description	Valid from → until	Qty
1	1419996-9005	Back Tube 480 mm		1
2	SP1423208	Std. Backrest Assembly Kit cpl.		1
3	SP1420444	Star Grip M8 cpl.		1
4	SP1444987	Back Adjuster Standard, Back Height 48 cm, With Backrest Upholstery,		1
5	1422062	Sling Back with removable cushion 480 mm		1

Legrest fixation



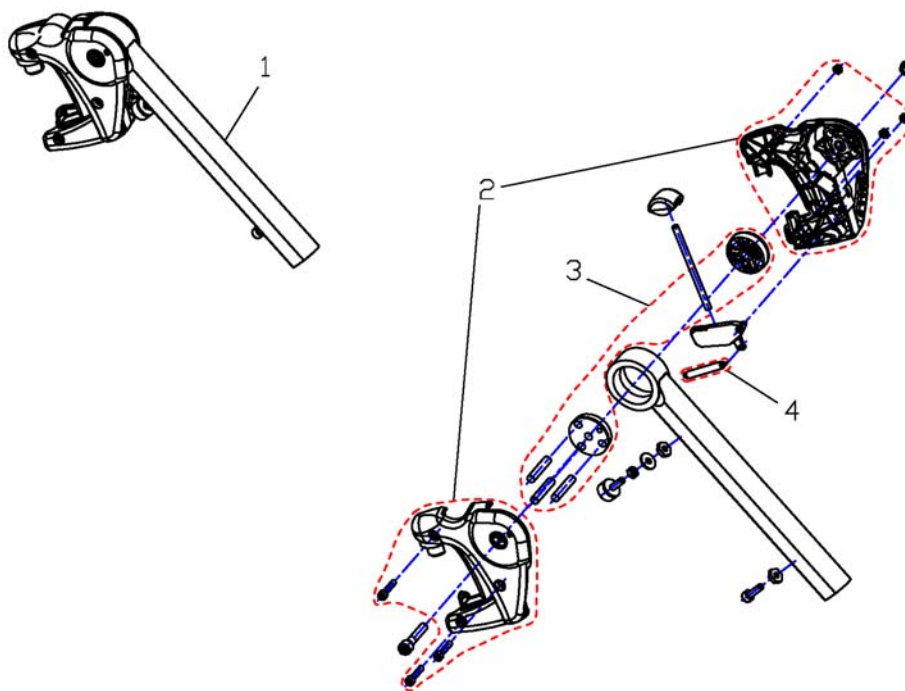
Pos.	Part number	Description	Valid from → until	Qty
1	SP1449733	Footrest/Legrest receptacle, manuell, LH, 5cm		1
2	SP1449732	Footrest/Legrest receptacle, manuell, RH, 5cm		1



Pos.	Part number	Description	Valid from → until	Qty
-	SP1527820	Rework-Kit VariA-Legrest Version 1 ==> Version 2	→ 20090401	1
1	SP1449348	Hanger Vari A RH cpl.		1
1	SP1449349	Hanger Vari A LH cpl.		1
2	SPL32906	Excentric Clamping Lever		1
3	SP1434955	Cover Legrest cpl.		1
6	6301333	Legrest Calf Panel		1
7	SP1450447	Calf Pad Holder Left Turnable, cpl.		1
7	SP1450446	Calf Pad Holder Right Turnable, cpl.		1

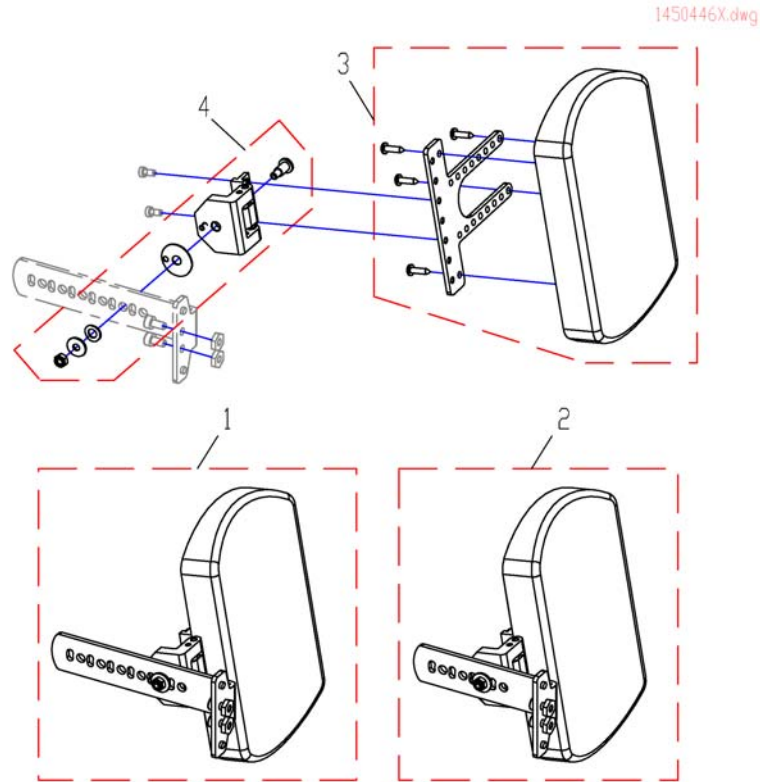
Vari F Hanger RH/LH

1449347X.dwg



Pos.	Part number	Description	Valid from → until	Qty
1	SP1449347	Hanger Vari F LH cpl.		1
1	SP1449346	Hanger Vari F RH cpl.		1
2	SP1434955	Cover Legrest cpl.		1
3	1434956	Mechanic		1
4	SPZ173178	Spring		1

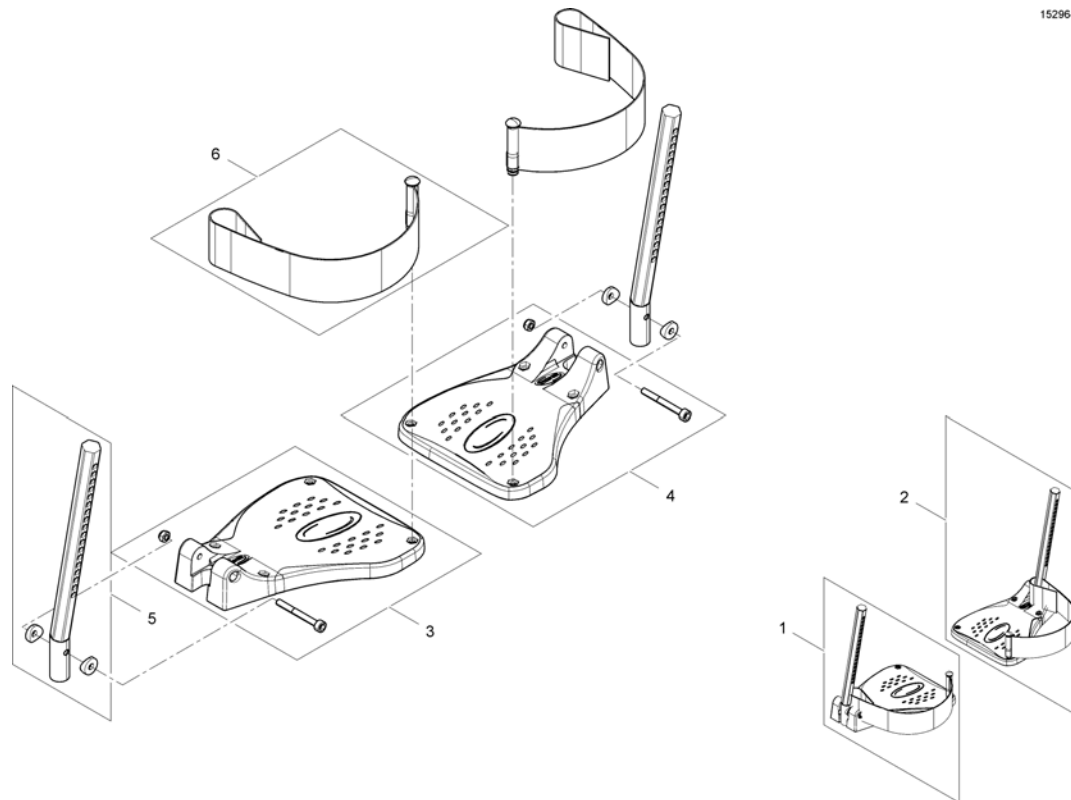
Calf Plate Holder LH/RH 07.2005 ==>



Pos.	Part number	Description	Valid from → until	Qty
1	SP1450447	Calf Pad Holder Left Turnable, cpl.		1
1	SP1450446	Calf Pad Holder Right Turnable, cpl.		1
2	SP1487409	Calf Plate Holder for Recaroseat RH		1
2	SP1487410	Calf Plate Holder for Recaroseat LH		1
3	SP1449021	Assembly Kit, Calf Plate Holder		1
4	SP1450226	CALF PLATE HINGE, RH		1
4	SP1450225	CALF PLATE HINGE, LH		1

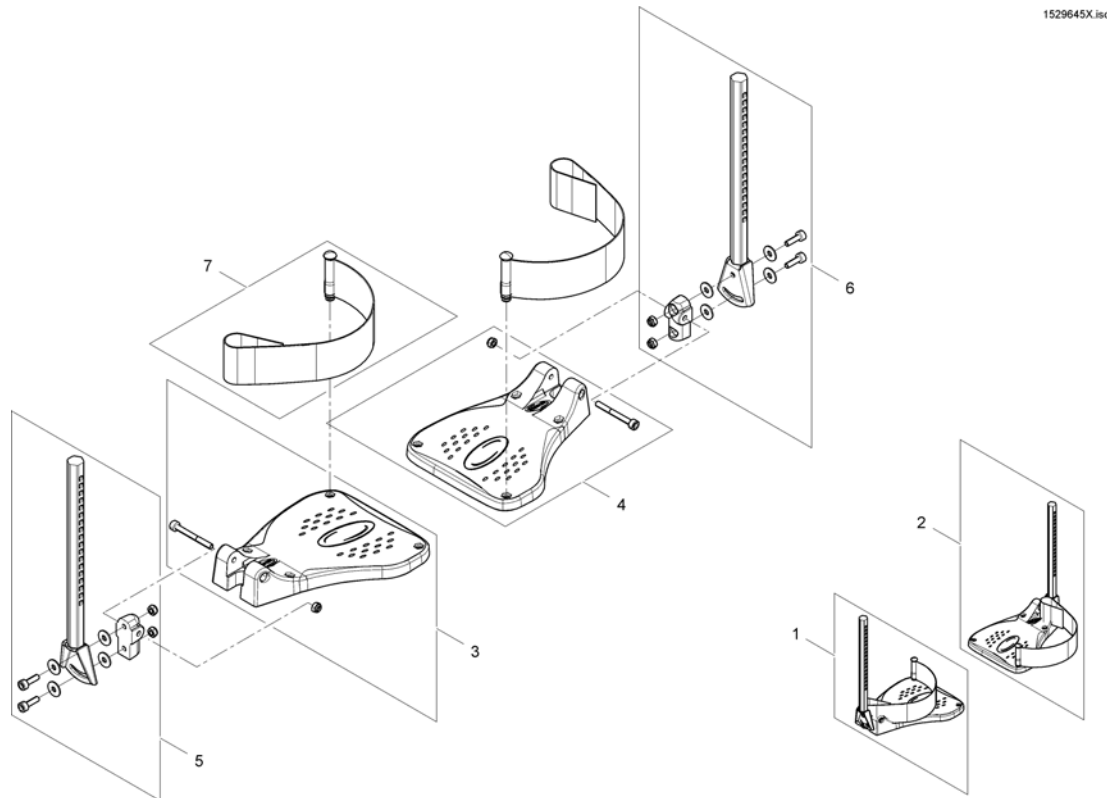
Footplate flip up 01.08.10 ==>

1529644X.iso



Pos.	Part number	Description	Valid from → until	Qty
1	SP1541575	Footplate flip up, LH, cpl.		1
2	SP1541574	Footplate flip up, RH, cpl.		1
3	SP1529645	FOOTPLATE LH		1
4	SP1529644	FOOTPLATE RH		1
5	SP1543045	Plug-in tube		1
6	SP1423202	HEEL STRAP CPL.		1

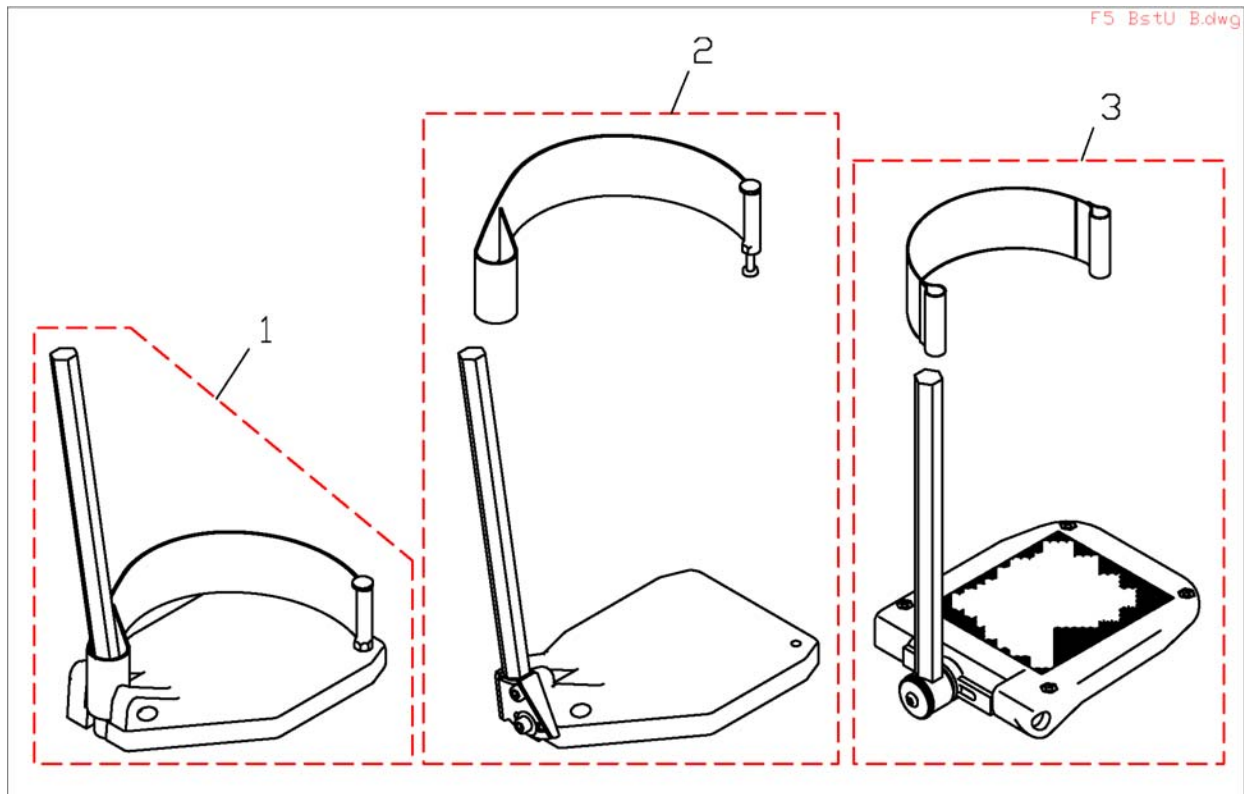
Footplate flip up, angle-adjustable 01.08.10 ==>



1529645X.iso

Pos.	Part number	Description	Valid from → until	Qty
1	SP1541580	Footplate flip up, angle adjustable, LH, cpl.		1
2	SP1541579	Footplate flip up, angle adjustable, RH, cpl.		1
3	SP1529645	FOOTPLATE LH		1
4	SP1529644	FOOTPLATE RH		1
5	SP1423204	FOOT PLATE TUBE, ANGLE ADJUSTMENT LH CPL.		1
6	SP1423203	FOOT PLATE TUBE, ANGLE ADJUSTMENT RH CPL.		1
7	SP1423202	HEEL STRAP CPL.		1

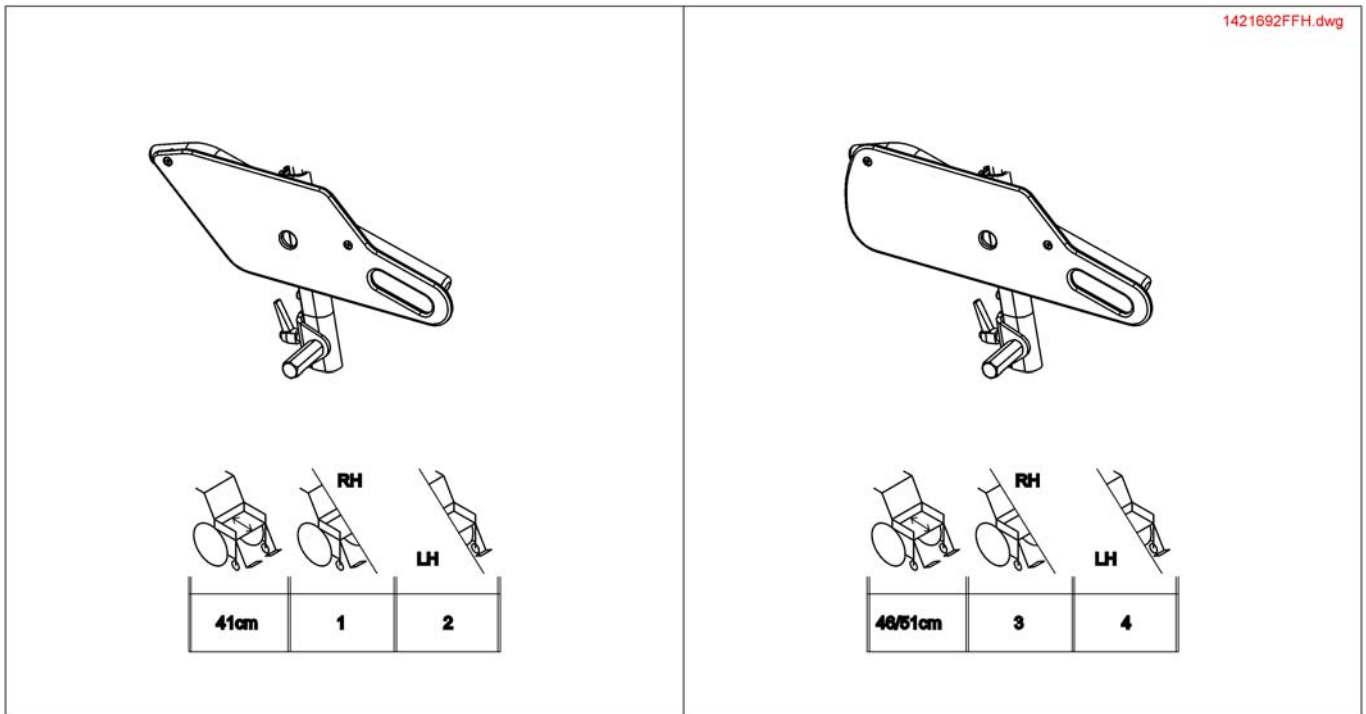
Footrest Lower Parts



Pos.	Part number	Description	Valid from → until	Qty
1	SP1421663	Footplate LH fix, with Support Tube cpl.		1
1	SP1421662	Footplate RH fix, with Support Tube cpl.		1
2	SP1421664	Footplate RH anlge adjustable, with Support Tube cpl.		1
2	SP1421665	Footplate LH anlge adjustable, with Support Tube cpl.		1
3	SP1419345	Foot Plate RH Angle And Depth Adjustable cpl.		1
3	SP1419344	Footplate LH Anlge And Depth Adjustable, With Support Tube cpl.		1

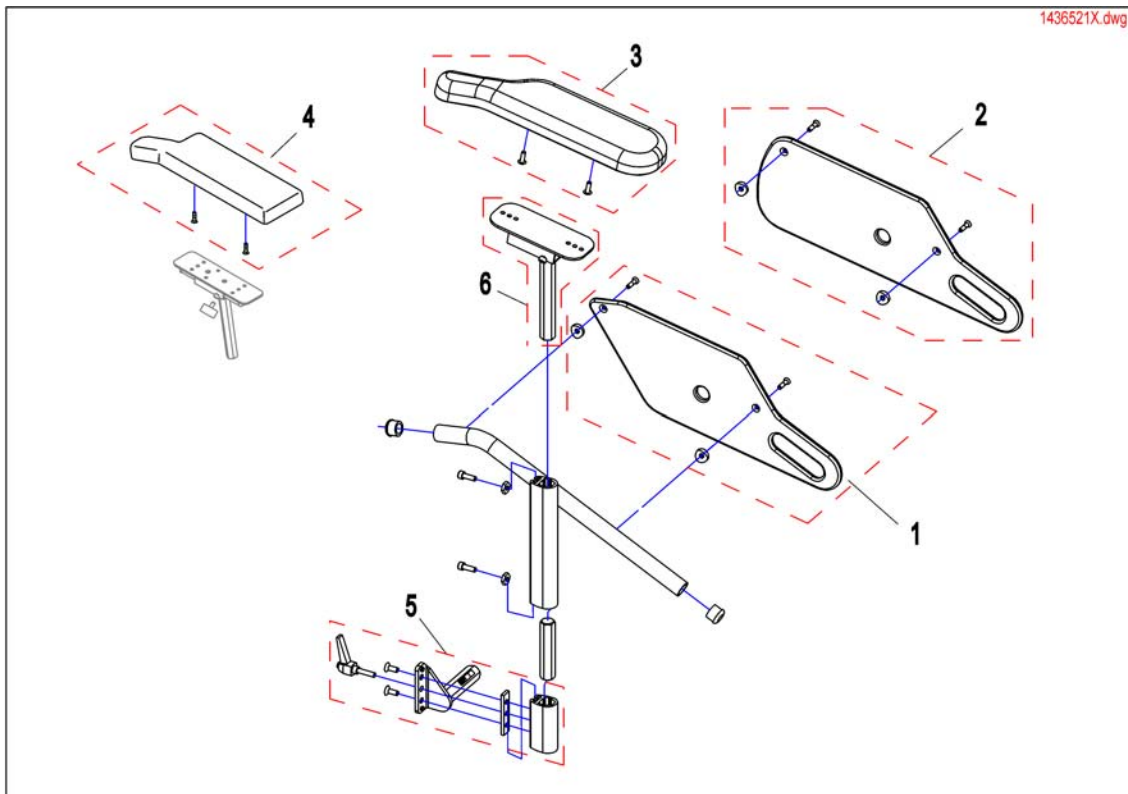
Armrest cpl. 01.01.09 ==>

1421692FFH.dwg



Pos.	Part number	Description	Valid from → until	Qty
1	SP1428096	Armrest, 340mm, SD 41cm, RH		1
2	SP1428097	Armrest, 340mm, SD 41cm, LH		1
3	SP1421692	Armrest, height max. 340mm, RH, Seatdepth 410mm		1
4	SP1421694	Armrest, height max. 340mm, LH, Seatdepth 410mm		1

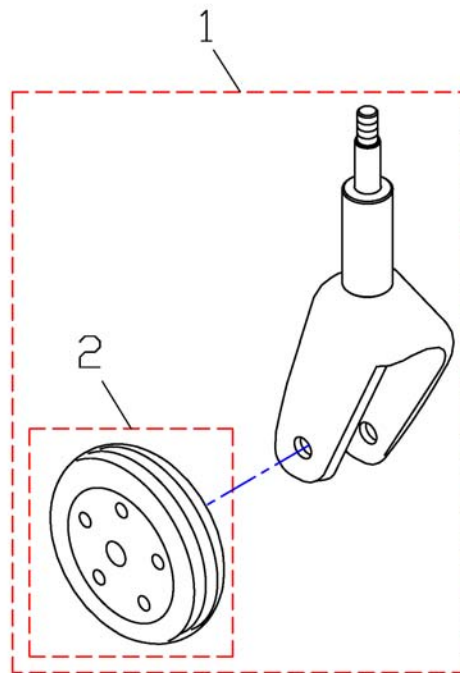
armrest standard



Pos.	Part number	Description	Valid from → until	Qty
1	SP1428078	Side part, Seatdepth 410mm		1
2	SP1420471	Side part, Seatdepth 460 & 510mm		1
3	SP1449043	Armpad RH (326mm)	20090101 →	1
3	SP1443004	Armpad LH (326mm)	20090101 →	1
3	SP1528845	Armpad, long, RH (376mm)		1
3	SP1528846	Armpad, long, LH (376mm)		1
4	SP1423221	ARMREST PAD RH CPL.	→ 20081231	1
4	SP1423224	ARMREST PAD LH CPL.	→ 20081231	1
5	SP1442550	Bracket for Armrest / Skirtguard RH		1
5	SP1442549	Bracket for Armrest / Skirtguard LH		1
6	SP1510857	Armpad holder LH		1
6	SP1510856	Armpad holder RH		1

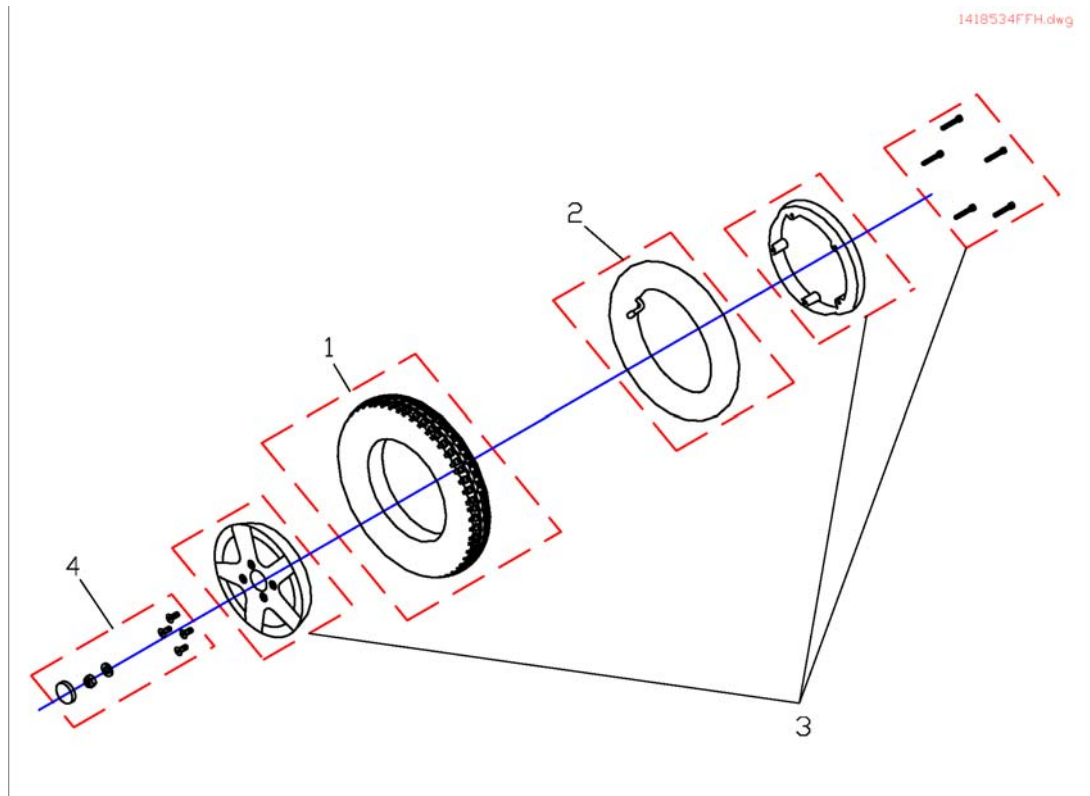
Front Wheel

5816434X.dwg



Pos.	Part number	Description	Valid from → until	Qty
1	SP1448636	front fork and wheel 200x50 puncture proof (solid inlay) grey, right cpl.		1
1	SP1448637	front fork and wheel 200x50 puncture proof (solid inlay) grey, left cpl.		1
2	5816434	WHEEL CPL. (SMALL PUNCTURE-PROTECTED)		1

Rear Wheel

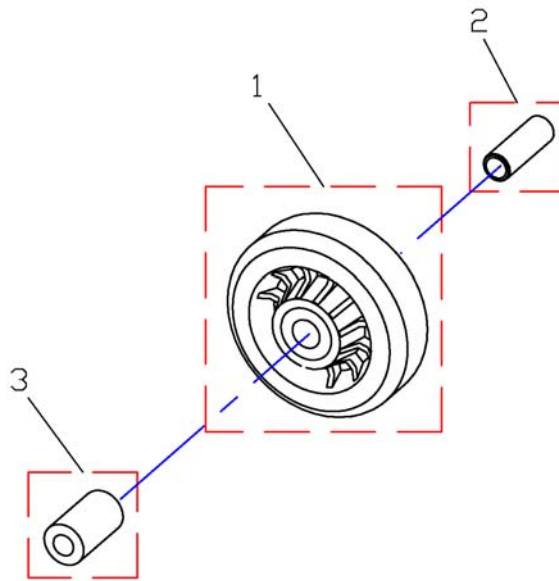


1418534FFH.dwg

Pos.	Part number	Description	Valid from → until	Qty
1	M11968	Tyre 3.00-8, grey Trelleborg		1
2	M12016	Inner tube 3.00-8" with valve TR 87-90/90°		1
3	SP1423184	WHEEL RIM ASSEMBLY KIT 8", CPL.		1
4	SP1423443	WHEEL ASSEMBLY KIT 3.00-8		1

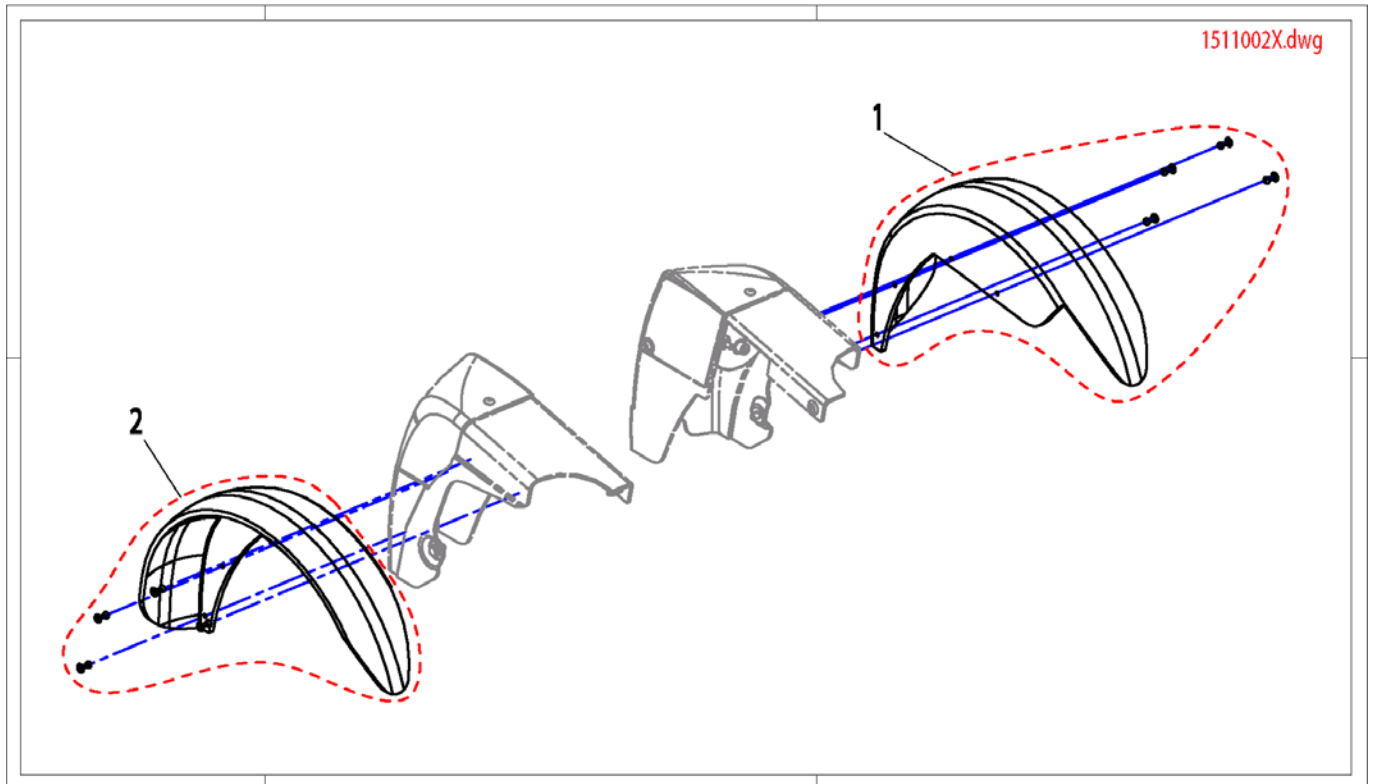
Anti-Tipp-Rad

14185334X.svgz



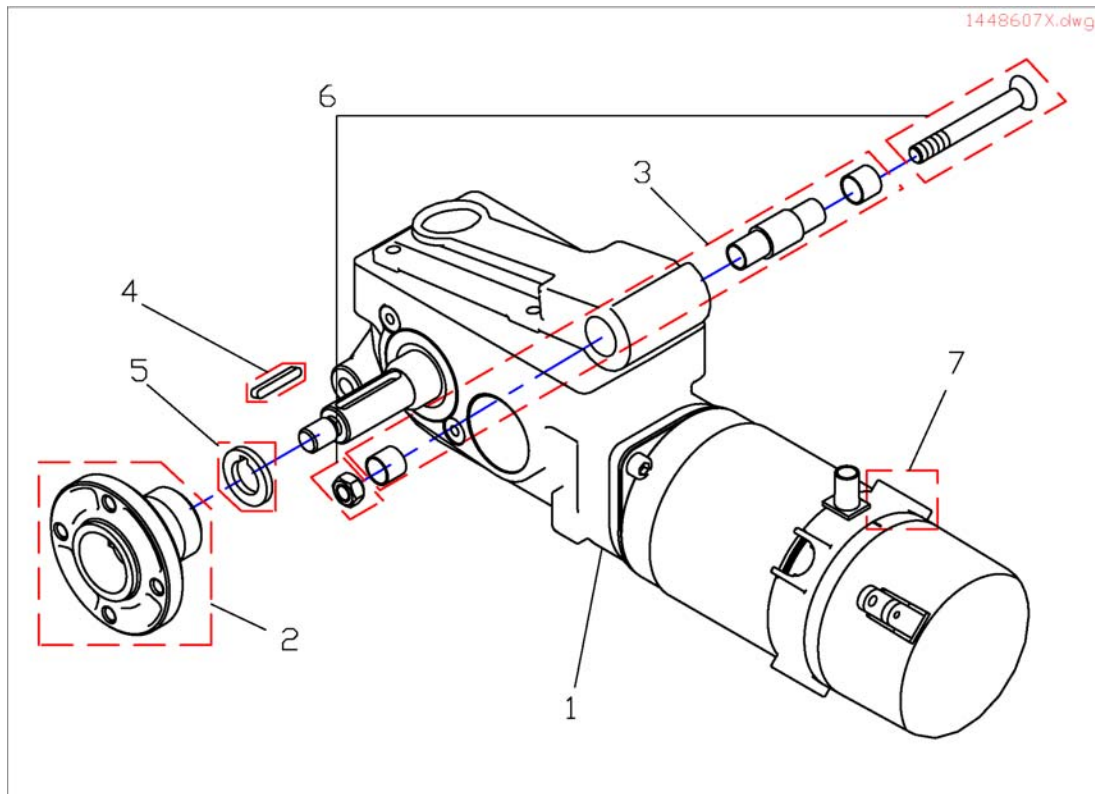
Pos.	Part number	Description	Valid from → until	Qty
1	1418533	ANTI-TIPPER WHEEL, KAMA 80 X 80		1
2	1427057-0002	BUSH 12 X 2 X 35,5		1
3	1428067-0002	BUSH 18 X 5 X 32		1

Rear fenders



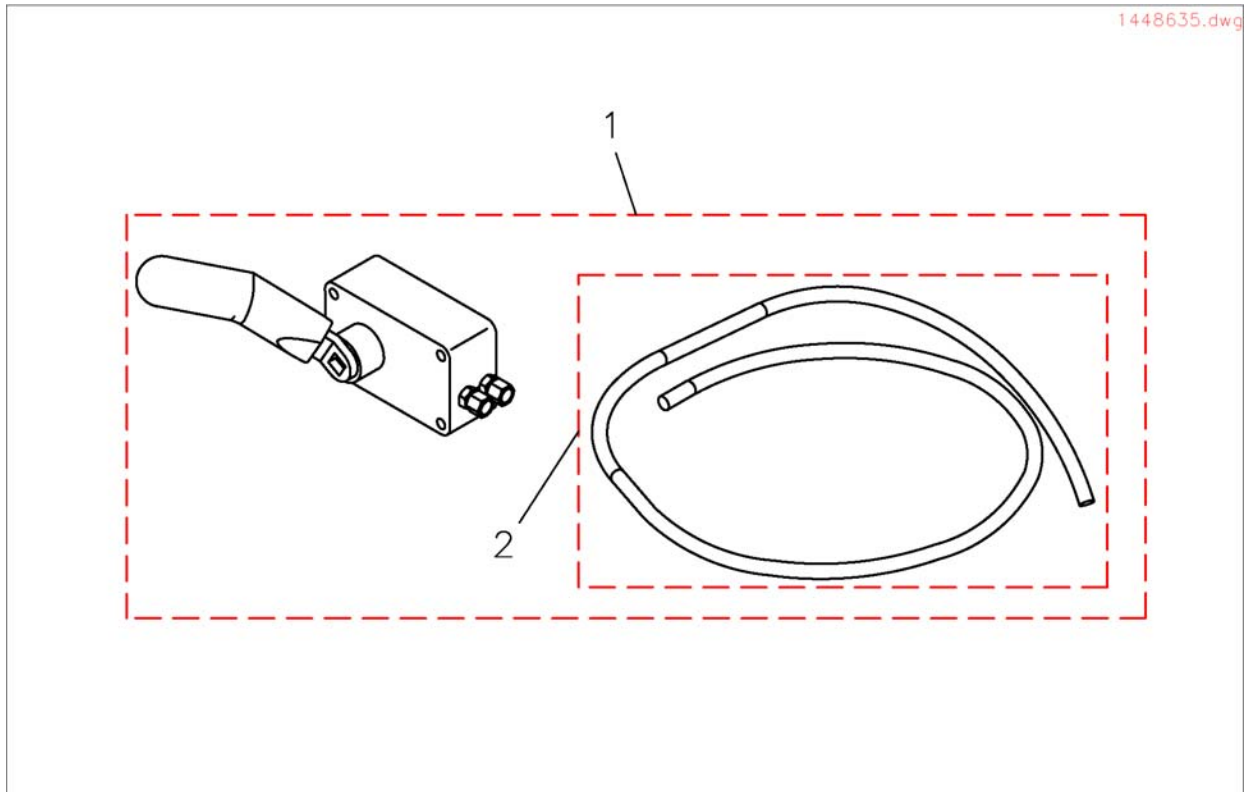
Pos.	Part number	Description	Valid from → until	Qty
1	SP1511003	Fender LH		1
2	SP1511029	Fender RH		1

Propulsion



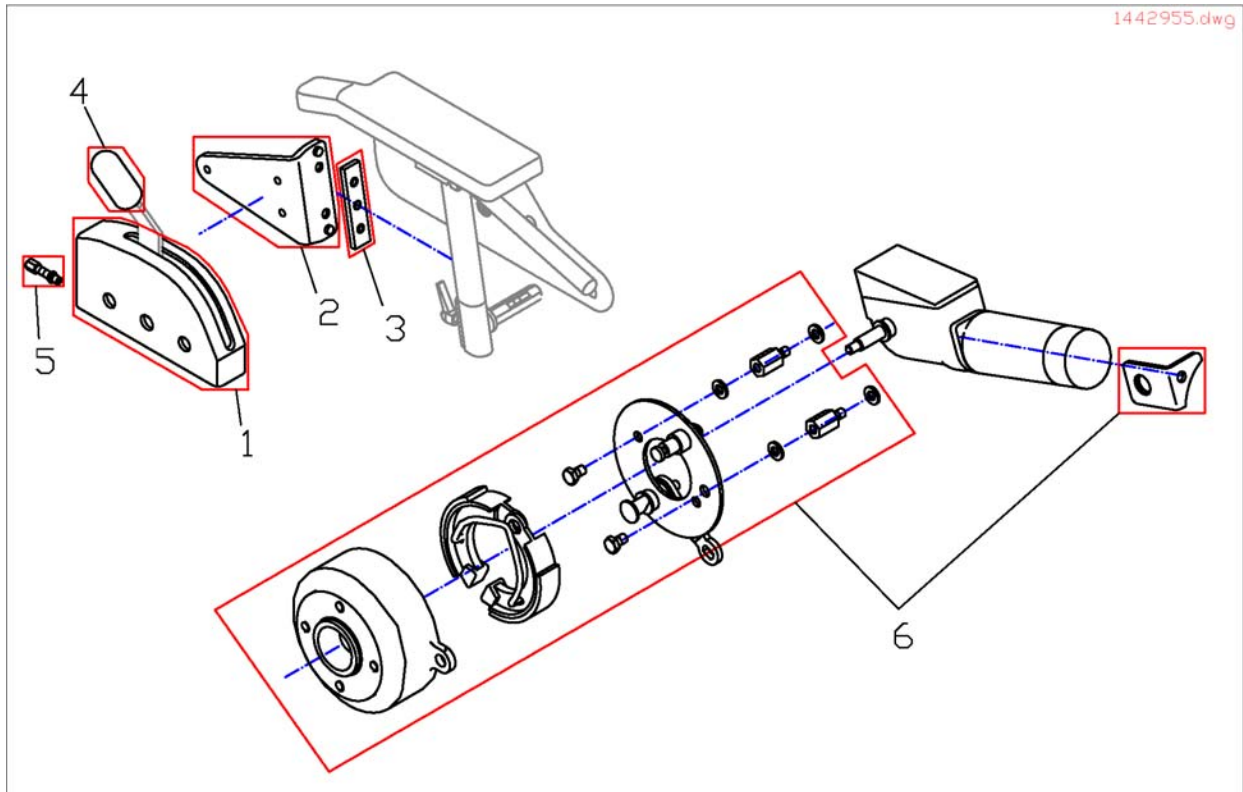
Pos.	Part number	Description	Valid from → until	Qty
1	SP1448607	DRIVE UNIT 4-PIN VERSION 10KM/H LH, cpl.		1
1	SP1448608	DRIVE UNIT 4-PIN VERSION 10KM/H RH, cpl.		1
2	1415172	WHEEL HUB STD.		1
3	SP1421761	Kit, axle and bush.		1
4	N23004	Woodruff Key A 6 X 6 X 40		1
5	1423164-0002	WASHER 19 MM WITH CUTOUT FOR FEATHER KEY		1
6	SP1423186	Drive Unit Assembly Kit, cpl.		1
7	1488052	Charbon Moteur Typhoonet Storm (New Version)		1

Decoupling



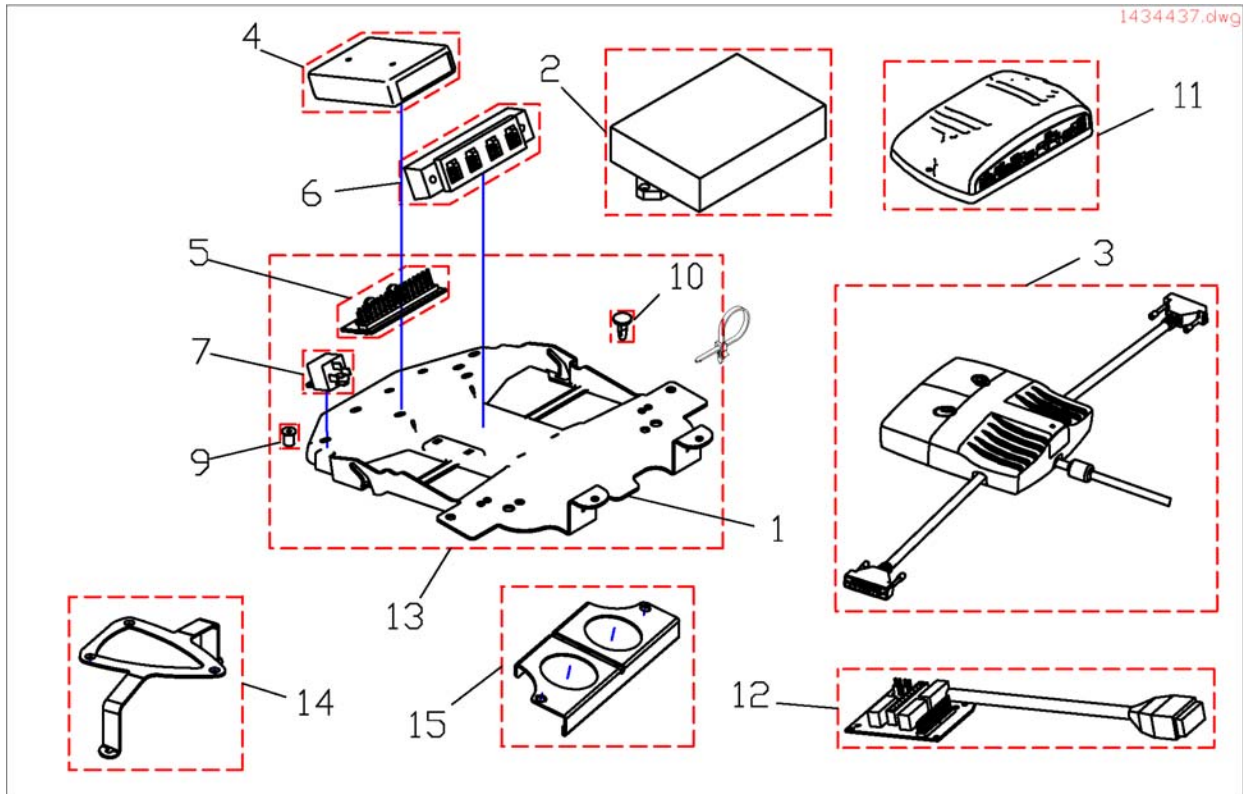
Pos.	Part number	Description	Valid from → until	Qty
1	SP1448635	DECOUPLING COMPLETE		1
2	SP1523525	Cable		1

Brakes



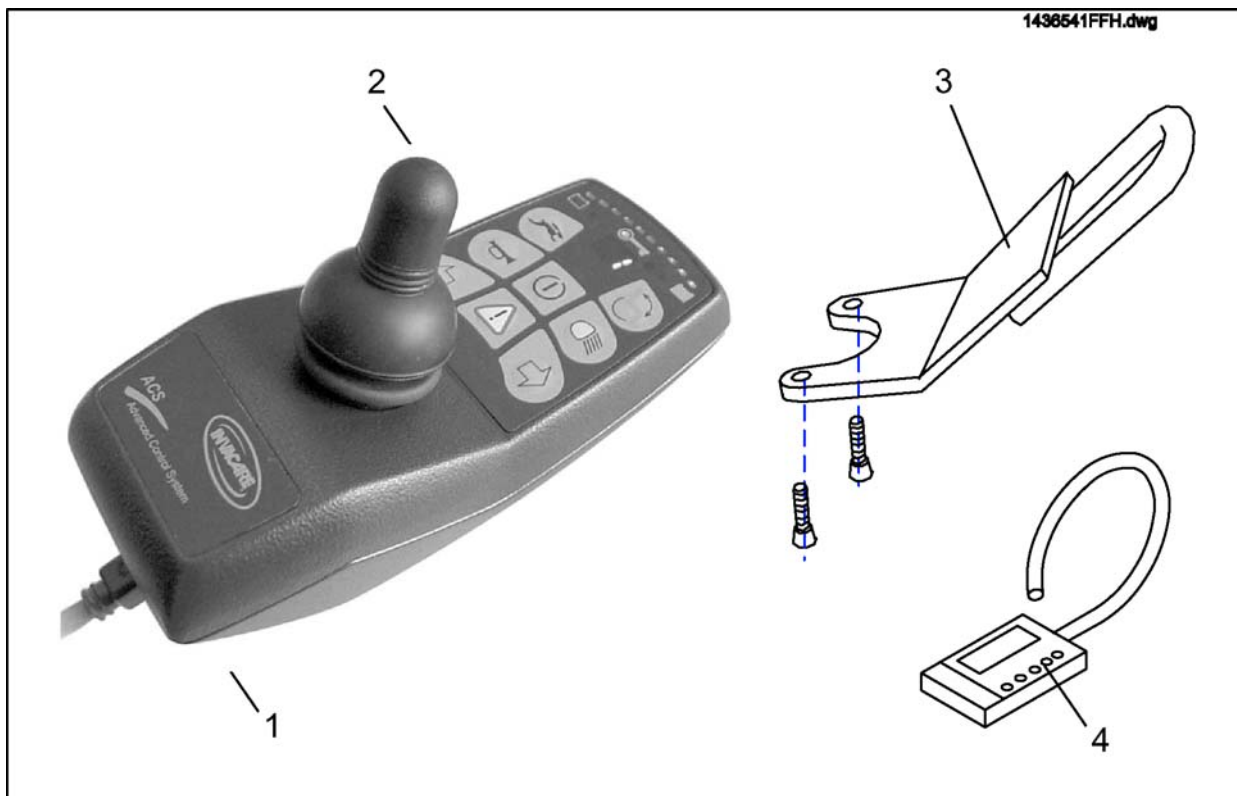
Pos.	Part number	Description	Valid from → until	Qty
a	1415171	BRUSH CAP		1
b	M30985	BRAKE SHOE 90X18 (ANELLI)		1
c	SP1415066	PRE-ASSEMBLED BRAKE BACKING PLATE RH		1
c	SP1415067	PRE-ASSEMBLED BRAKE BACKING PLATE LH		1
-	SPF331038	BRAKE ASSY RH		1
d	1421653-0003	HOLDER-UP LH		1
-	SP1423473	BOWDEN CABLE SET CPL.		1
d	1421654-0003	HOLDER-UP RH		1
-	SPF331028	BRAKE ASSY LH		1
1	F331022	BRAKE BOX COVER; GREY		1
2	1428075-9005	BRAKE BOX HOLDER LH		1
2	1428076-9005	BRAKE BOX HOLDER RH		1
3	1421720-0002	GROVE PLATE		1
4	5007791	KNOB; BLACK		1
5	M30050	ADJUSTING SCREW M6 X 24; ZINC PLATED		1
6	1442956	Kit WHEEL BRAKE RH, CPL.		1
6	1442955	Kit WHEEL BRAKE LH, CPL.		1

Electronic



Pos.	Part number	Description	Valid from → until	Qty
	1431755	UPGRADE KIT SEAT ANGLE STABILISOR		1
	SP1423191	ACS ELECTRONIC HOLDER ASSEMBLY KIT		1
	1419337	RIVET		1
	1440533	ACS ELECTRONIC HOLDER ASSEMBLY KIT	20030401 →	1
	1417938	SPACER		1
	-	CROSS HEAD SCREW M4 X 16		1
	5723445	Screw M8x20 DIN 7991		1
1	1418528	DEVICE SUPPORT		1
2	P10064	ACS Power Module (DX-PM2) 80AMP		1
2	6001423	ACS Power Module		1
3	1430150	ACS POWER MODUL DX-GB 100A		1
3	AT.1430150	Part not for sale	20060501 →	1
4	P10081	ACS Actuator Module (Clam)		1
4	6001825	ACS-LIGHTING MODULE 24 V STD.		1
5	1415004	Central Light Distributor Circuit Board ACS2 / Shark		1
6	P10072	ACS-Bus T-Adapter (Splitter)		1
7	P11195	RELAY SWITCH 24V/10-20A		1
8	1422888	CABLE BINDER 5,0x225 SCHWARZ		1
9	1432557	GETO WELL NUT M4		1
9	1422052	GETO WELL NUT M5		1
10	1426351	NYLON MOULDED CRAMP		1
11	1433332	Power Modul Shark DK-PMB01		1
11	1448744	Power Module Shark DK-PMB21		1
11	AT.1433332	Replacement Part For Shark-Elektronik DK-PMA1	20060501 →	1
12	1450233	Combined Lighting Actuator Board	20050701 →	1
13	SP1418529	Part not for sale		1
14	SP1430145	Holder Power Module		1
15	SP1430146	Stabilisation Plate		1

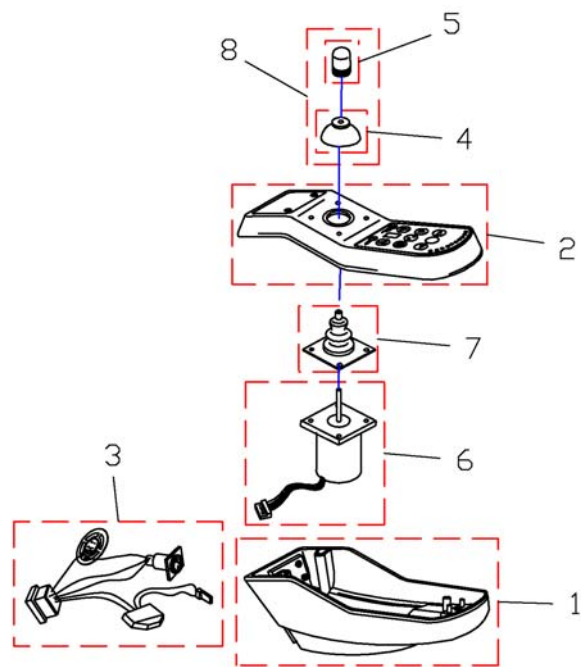
Control Unit



Pos.	Part number	Description	Valid from → until	Qty
-	SP1419695	Magnet Key REM24 With Pouch cpl.		1
-	P10062	ACS Programming Kit (Wizard Software)		1
1	1436541	ACS REM24SD Joystick		1
2	Z183229	JOYSTICK KNOB CPL.		1
3	SP1422828	Protective Bumber F. REM 24 Remote cpl.		1
4	6001450	ACS-Hand Programmer, Instrucons In French, German, Spanish		1

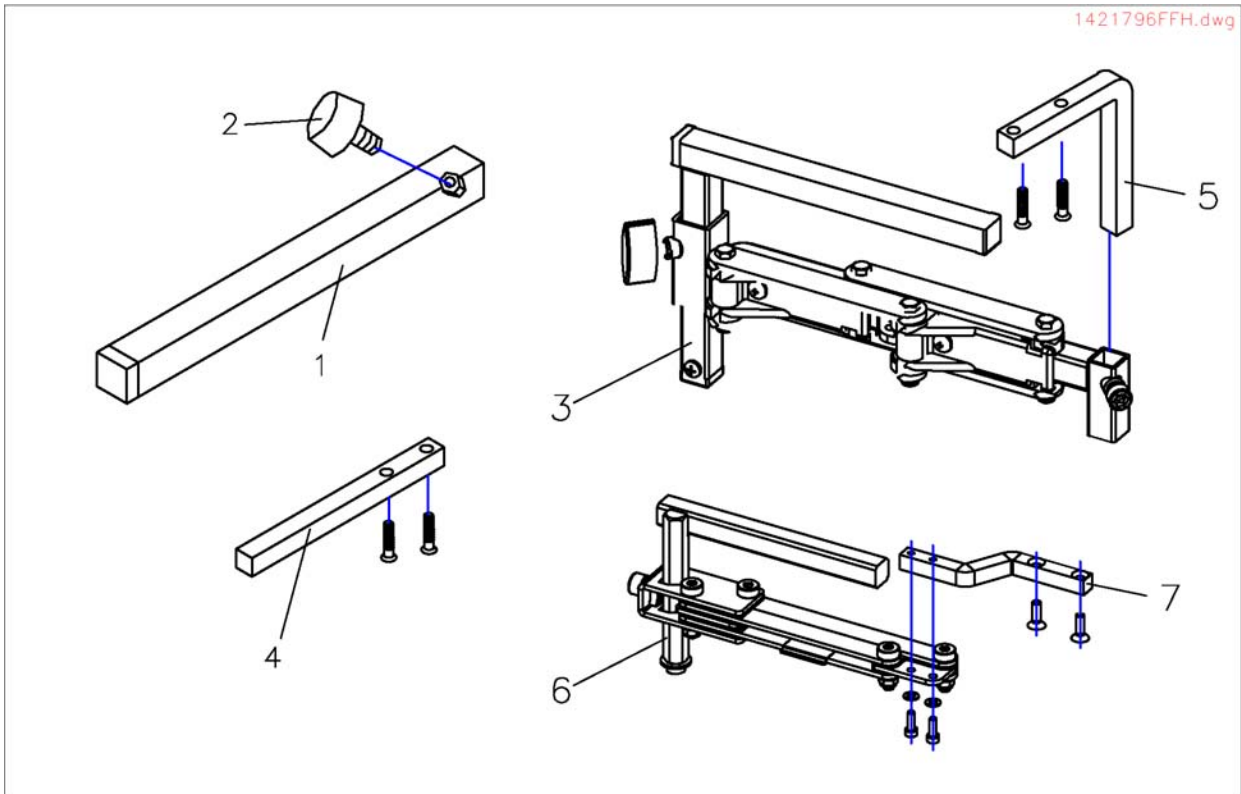
REM 24SD

F3_REM24SD.dwg



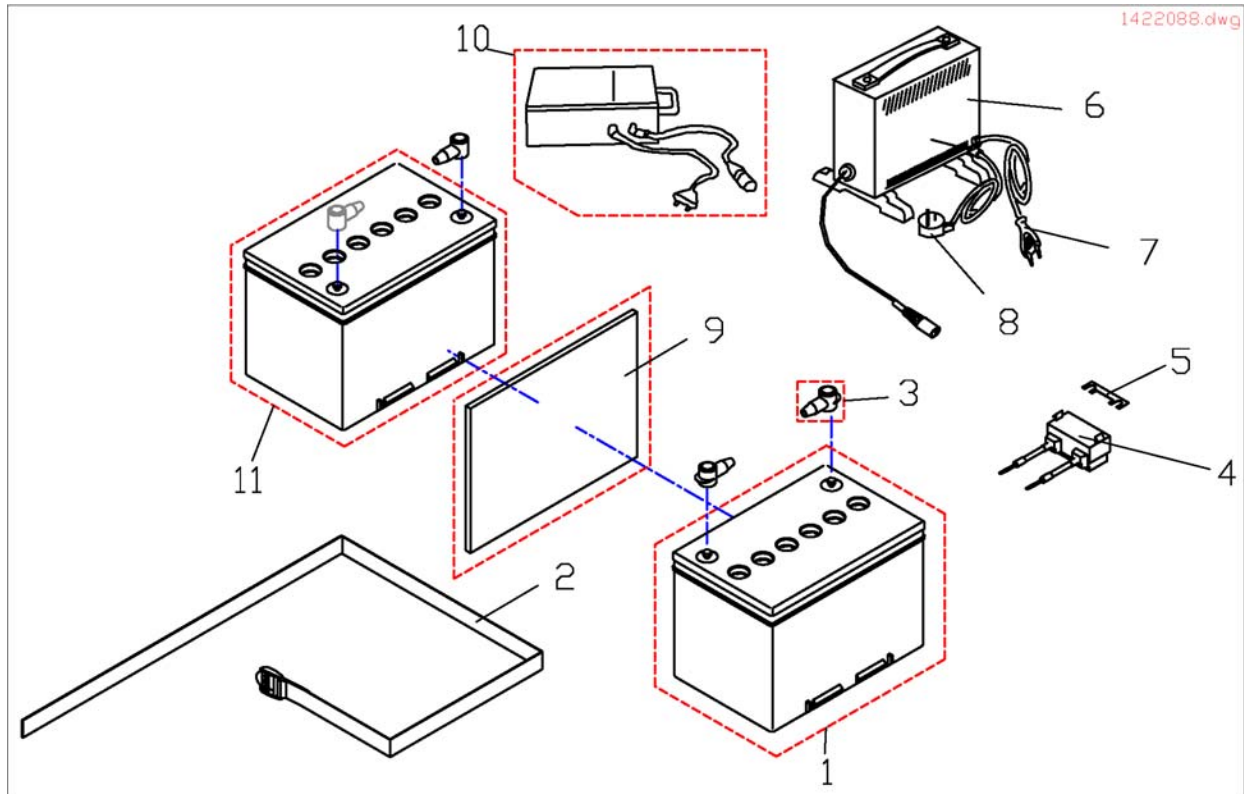
Pos.	Part number	Description	Valid from → until	Qty
-	1497420	Mounting Clamp REM24SD		1
1	1497416	Housing Lower Part REM24SD		1
2	1497417	Housing Upper Part with Keypad		1
3	1497418	Loom for REM24SD		1
4	P40118	ACS Joystick Knob Lower		1
5	6001771	DL Controller Knob(Spare)		1
6	1428927	Joystick for REM24SD		1
7	Z183001A	Rubber Gaiter For ACS Remote		1
8	Z183229	JOYSTICK KNOB CPL.		1

Control Unit Support- standard / swing away



Pos.	Part number	Description	Valid from → until	Qty
1	SPS183040	Remote Bracket Standard		1
2	SPL31001	Wing Scew M6x10		1
3	SP1421795	Swing-Out Height-Adjustable Remote Holder RH		1
3	SP1421796	Swing-Out Height-Adjustable Remote Holder LH		1
4	SP1436542	Joystick Box Support Std. For REM 24SD, With Screws		1
5	SP1436543	Joystick Box Support Swing Away REM 24SD & Shark, With Screws		1
6	SP1496249	Remote Bracket, Height Adjustable And Swing Away LH		1
6	SP1496248	Remote Bracket, Height Adjustable And Swing Away RH		1
7	SP1498222	Installation-Kit For Control Unit Support Swing-Away Mechanism REM 24 SD		1

Electric Support



Pos.	Part number	Description	Valid from → until	Qty
	1446573	BATTERY CABLE FOR SHARK WITH LIGHTS		1
1	P50016	BATTERY 70 AH <i>Storm³, Storm³ Modulo, Storm³ EURO</i>		2
	3	Battery Terminal Cover		2
	4	1446574	STRIP FUSE HOLDER WITH FUSE SHARK	2
	2	1421655	Battery Strap	2
	5	P12191	Fuse 50A	2
	5	1442600	Strip Fuse 40A (Shark)	1
	6	SPP51981	Gel Battery Charger Unit	1
	7	P21079	Charger Power Cable (Shockproof Plug)	2
6,7	SP1423696	Charger 24V/8A With Continental Mains Cable, cpl.		1
6,8	SP1423697	Charger 24V/8A With Uk Mains Cable, cpl.		1
	8	P21080	UK 3 Pin Mains Lead	2
	8	1466783	Power Cable, 3-pole, black, 6A/250VAC (Switzerland)	1
	9	F384057	BATTERY BOX LINING, BLACK	2
	10	5813987	Battery Charger 8A Gi Popular (only Sweden)	2
	-	1419370	BATTERY CABLE 70AH, Light 24V	1
	11	1432944	Battery Mk Sldg 60Ah (Gel) <i>Storm³-BLU (not available in Germany)</i>	1
	11	SP1522107	AGM Battery 50Ah <i>Storm³ BLU</i>	1
	12	SP1523354	Battery Fixation-Kit (not shown) <i>Storm³-BLU</i>	1
	-	1419983	BATTERY CABLE (TÜV VERSION)	1
	-	1432560	BATTERY CABLE 70AH (f. GEARLESS MOTORS)	1
	4	1419369	STRIP FUSE CPL.	2
	4	1432561	Strip Fuse Holder with 80A Fuse	2

Cable

ACS-Buskabel		1419386.dwg	
Länge / length (mm)		Pos.	
300		1	
400		2	
700		3	
1100		4	
1600		5	
1900		6	
2600		7	
2900		8	
spiral		9	

Shark-Buskabel			
Länge / length (mm)		Pos.	
1500		10	
2000		11	

Kabel für Licht- und Aktuatormodule (CLAM)
Cable for Light- and Actuator modules (CLAM)

Licht / Light	Sitzwinkelverstellung Seatangleadjustment	Rückenverstellung Backrestadjustment	Sitzhöhenverstellung Seatheightadjustment	Beinstütze Legrest	Pos.
24V	✓	✓	✓	✓	12
24V	✓	✗	✗	✓	13
24V	✓	✓	✗	✓	14
24V	✓	✗	✓	✓	15
24V (NL)	✓	✓	✗	✓	16
24V	✓	✓	✗	✓	17

Batteriekabel / Battery cable

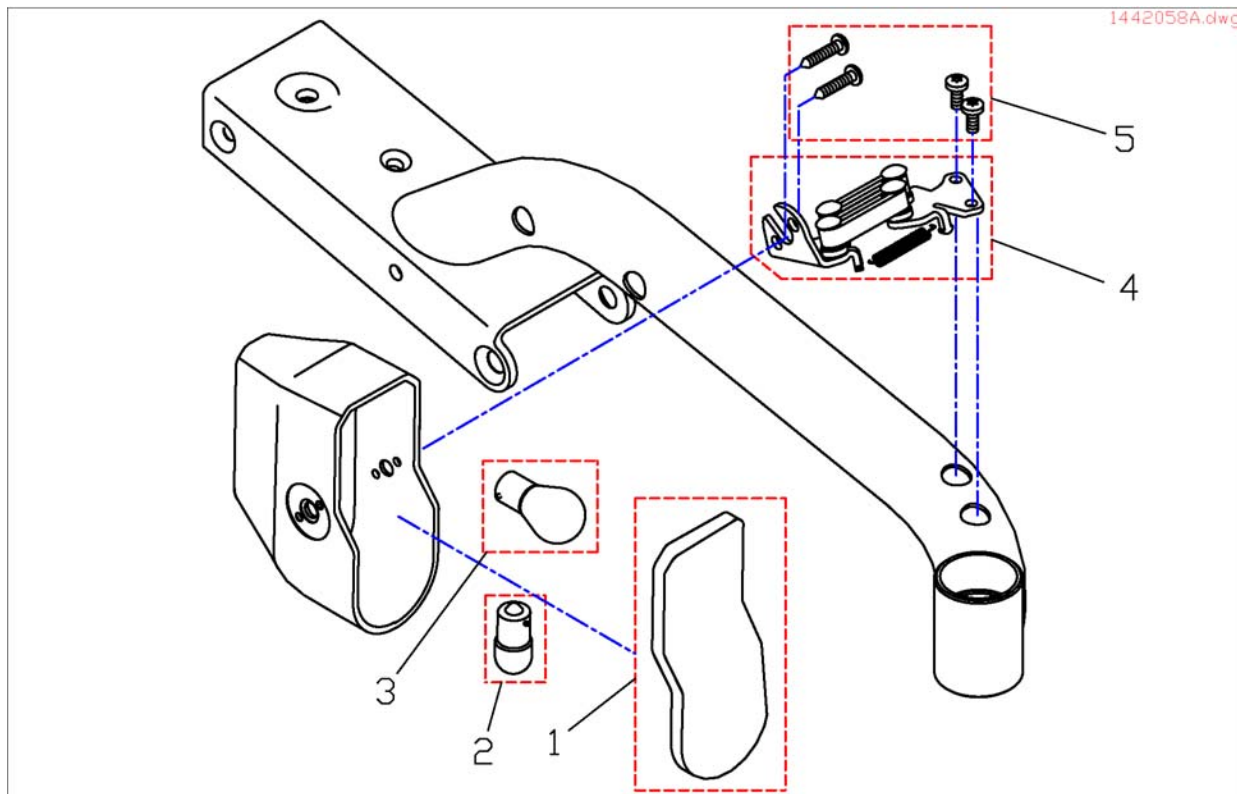
	Pos.
24V	18
24V (True Track)	19
24V (Shark)	20

Kabel für Licht und 2 Aktuatoren
Cable for Light and 2 Actuators

Licht / Light	Sitzwinkelverstellung Seatangleadjustment	Rückenverstellung Backrestadjustment	Pos.
✓	✓	✓	21

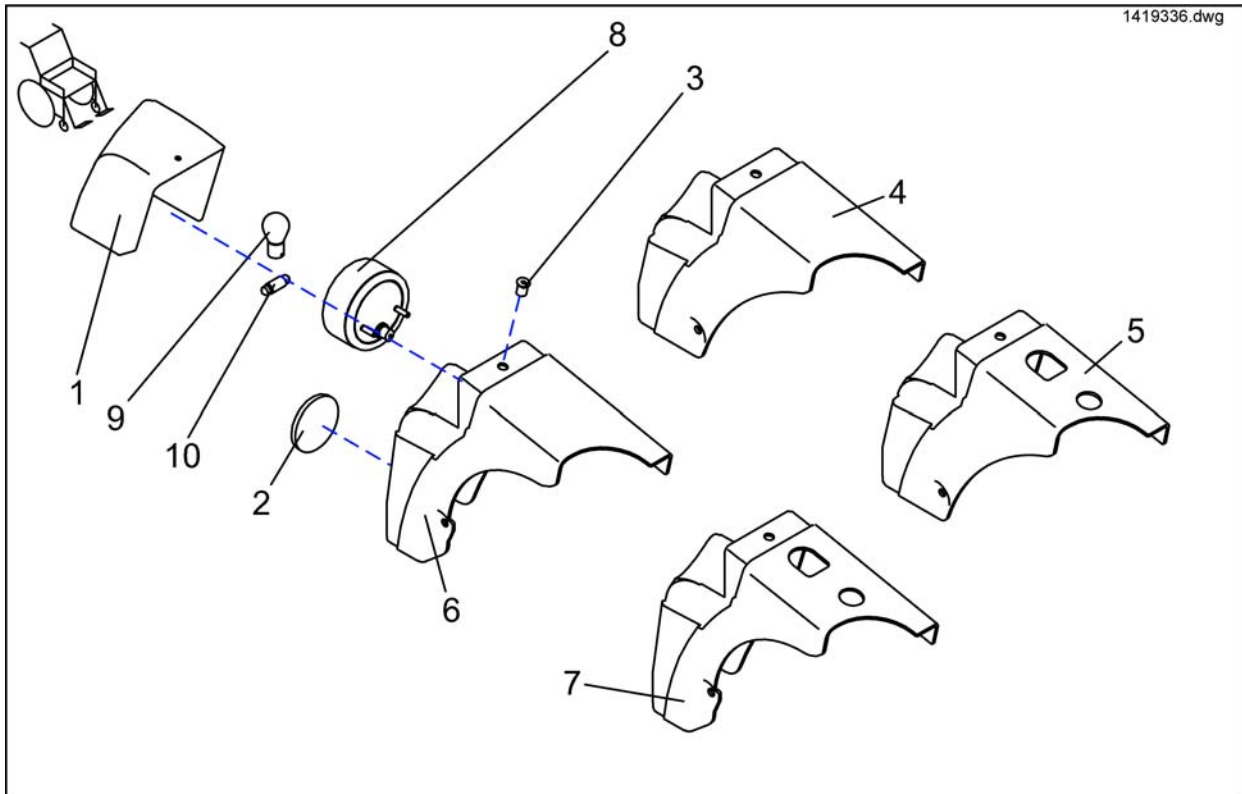
Pos.	Part number	Description	Valid from → until	Qty
1	GSM63003	ACS Bus Cable L=300 mm		1
2	GSM63004	ACS-BUS CABLE L=400 MM; BLACK		1
3	GSM63007	ACS-BUS CABLE L=0.7 M		1
4	GSM63011	ACS Bus-Cable 1,1M		1
5	GSM63016	ACS Bus-Cable 1,6M		1
6	1419386	ACS BUS CABLE L=1900 MM		1
7	GSM63026	ACS-BUS CABLE L=2600 MM		1
8	1423209	ACS BUS CABLE L=2900 MM		1
9	GSM9887	Curly Cable(GSM63051)		1
10	1450313	Shark2 Bus Cabel L=1500mm		1
11	1484911	Shark2 Buscable L=2000mm		1
12	1419390	CABLE HARNESS CLAM; ACTUATORS; LIGHT		1
13	1421730	CABLE HARNESS CLAM; LIGHT; LEG RESTS, SEAT ANGLE		1
14	1421729	CABLE HARNESS CLAM; LIGHT; ELECT. ADJUSTMENTS		1
15	1421728	CABLE HARNESS CLAM; LIGHT; LIFTER, LEG RESTS, SEAT ANGLE ADJUST.		1
16	1449432	MAIN CABLE HARNESS Storm³ NL (07/2005-->)		1
17	1492854	CABLE HARNESS CLAM; LIGHT, TILT-, BACK-, LEGRESTADJUSTMENT		1
18	1419370	BATTERY CABLE 70AH, Light 24V		1
19	1432560	BATTERY CABLE 70AH (f. GEARLESS MOTORS)		1
20	1446573	BATTERY CABLE FOR SHARK WITH LIGHTS		1
21	1488951	Harness Shark For Ligth And Electrical Adjustments		1

Front Lights



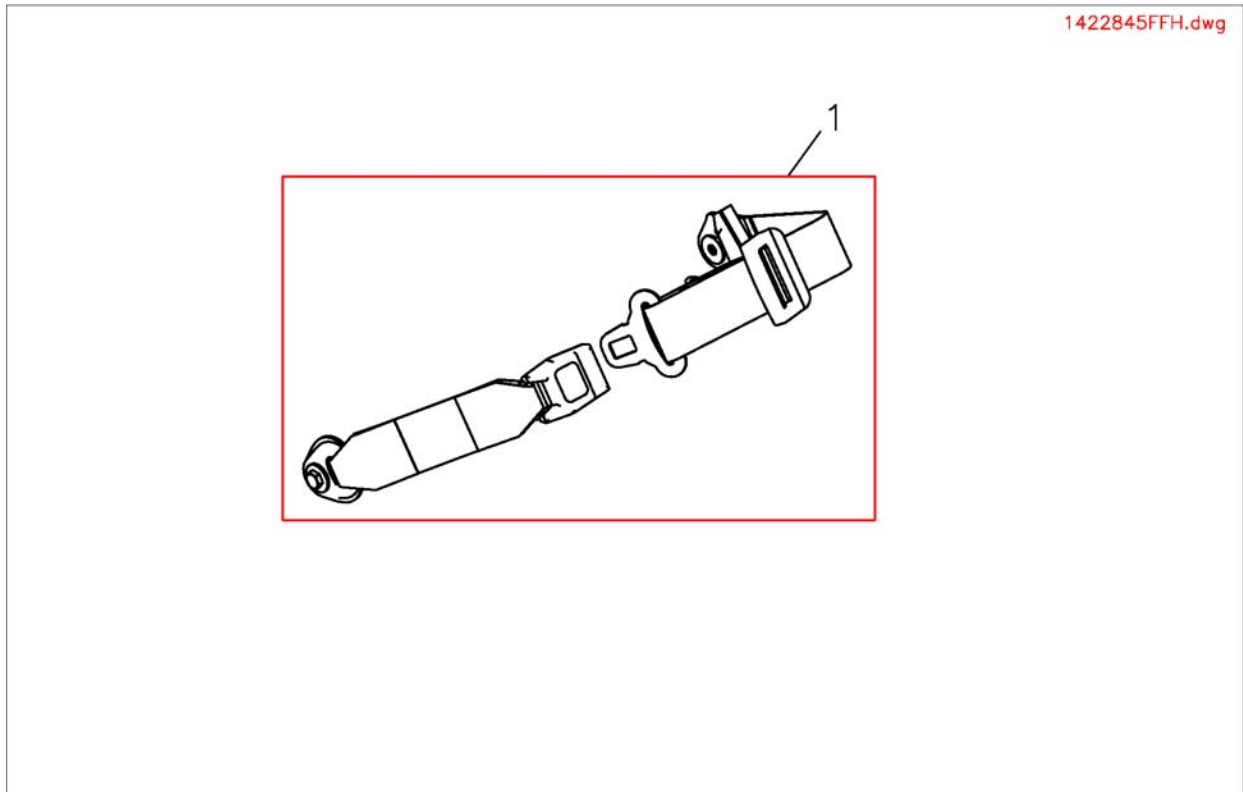
Pos.	Part number	Description	Valid from → until	Qty
-	1442734	Headlamp RH 24V cpl.		1
-	1442735	Headlamp LH 24V cpl.		1
1	1433737	Glass For Front Light		1
2	P31108	Light Bulb 24V/10W		1
3	1419271	Light Bulb 24V/21W Yellow, turn indicator		1
4	1428082	Swivel Mechanism RH		1
4	1428081	Swivel Mechanism LH		1
5	1442685	Mounting Kit Front Light		1

Rear Lights



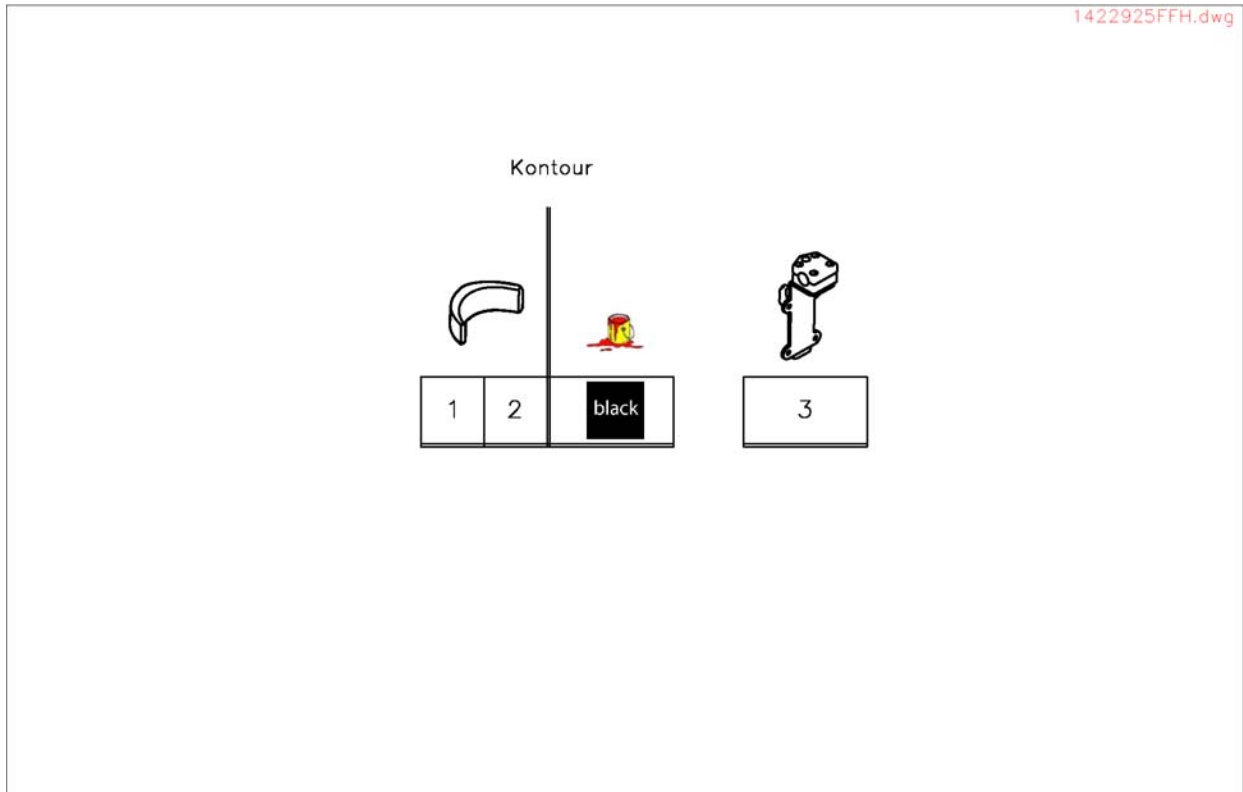
Pos.	Part number	Description	Valid from → until	Qty
-	SP1419338	LIGHT SUPPORT WITH LIGHT FOR LUGGAGE CARRIER CPL.		1
-	SP1433547	LIGHT SUPPORT WITHOUT LIGHT & LUGGAGE CARRIER		1
-	SP1419336	LIGHT SUPPORT WITH LIGHT WITHOUT LUGGAGE CARRIER CPL.		1
-	SP1433558	LIGHT SUPPORT WITH LIGHT FOR LUGGAGE CARRIER		1
-	SP1433557	LIGHT SUPPORT WITHOUT LIGHT FOR LUGGAGE CARRIER		1
-	SP1433556	LIGHT SUPPORT WITH LIGHT WITHOUT LUGGAGE CARRIER		1
-	SP1419335	LIGHT SUPPORT WITHOUT LIGHT & LUGGAGE CARRIER CPL.		1
-	SP1419337	LIGHT SUPPORT WITHOUT LIGHT FOR LUGGAGE CARRIER CPL.		1
1	1421739	LAMP CASING, SILVER RH		1
1	1421738	LAMP CASING, SILVER LH		1
1	SP1421739	LAMP CASING, NO LIGHTS		1
1	SP1421738	LAMP CASING, NO LIGHTS		1
1	1419332	LAMP CASING, CLEAR RH		1
1	1419331	LAMP CASING, CLEAR LH		1
2	1419274	Reflector Red, Round		1
3	1422052	GETO WELL NUT M5		1
4	1419334	REAR LIGHT SUPPORT RH		1
4	1419333	REAR LIGHT SUPPORT LH		1
5	1421815	LIGHT SUPPORT LH WITH LUGGAGE CARRIER CUTOUT		1
5	1421814	LIGHT SUPPORT RH WITH LUGGAGE CARRIER CUTOUT		1
6	1429342	LIGHT SUPPORT LH		1
6	1429343	LIGHT SUPPORT RH		1
7	1430144	LIGHT SUPPORT RH WITH LUGGAGE CARRIER CUTOUT		1
7	1430143	LIGHT SUPPORT LH WITH LUGGAGE CARRIER CUTOUT		1
8	1442736	Rear Light 24V, cpl.		1
9	1419271	Light Bulb 24V/21W Yellow, turn indicator		1
10	P31191	Lamp 24V/5W		1

Fixation Belt



Pos.	Part number	Description	Valid from → until	Qty
1	1422845	Positioning Strap With Snap cpl. For Standard-Seat		1

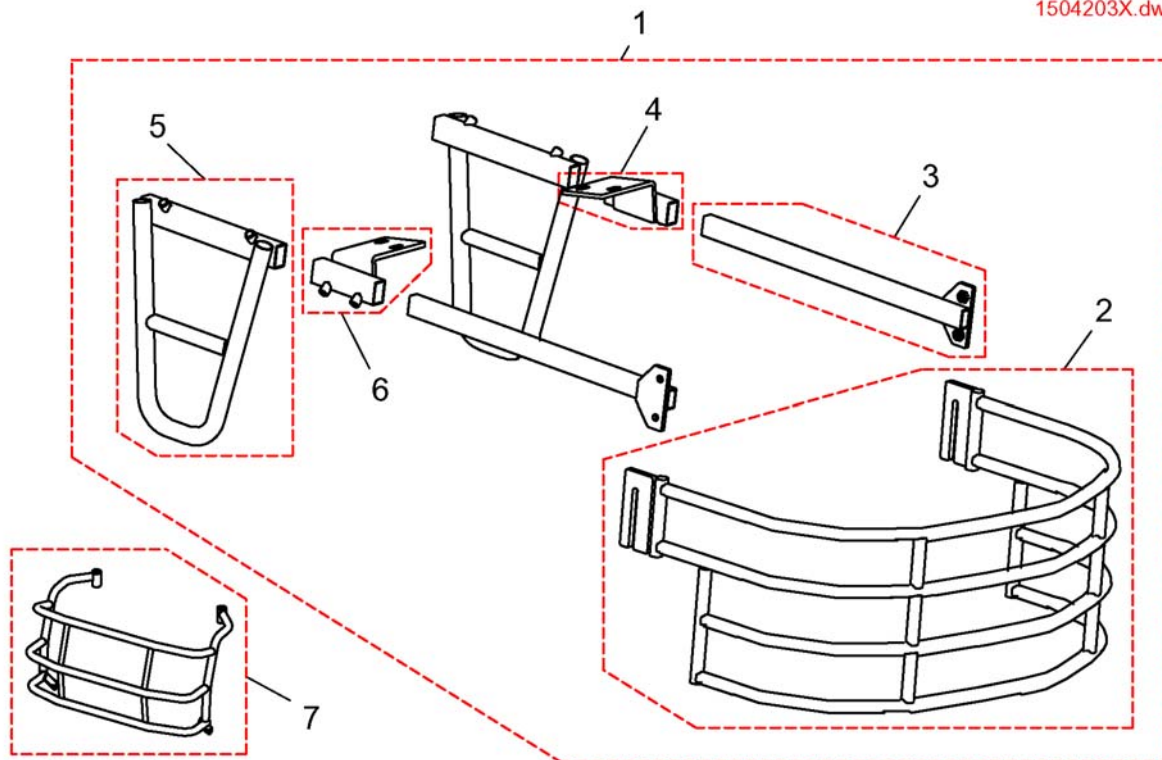
Headrest & Bracket



Pos.	Part number	Description	Valid from → until	Qty
1	SP1422925	Headrest Standard/Contour Black cpl.		1
2	SP1422865	Headrest Cushion Contour Black, Wo Bracket		1
3	SP1422914	Headrest Bracket For Standard Seat cpl.		1

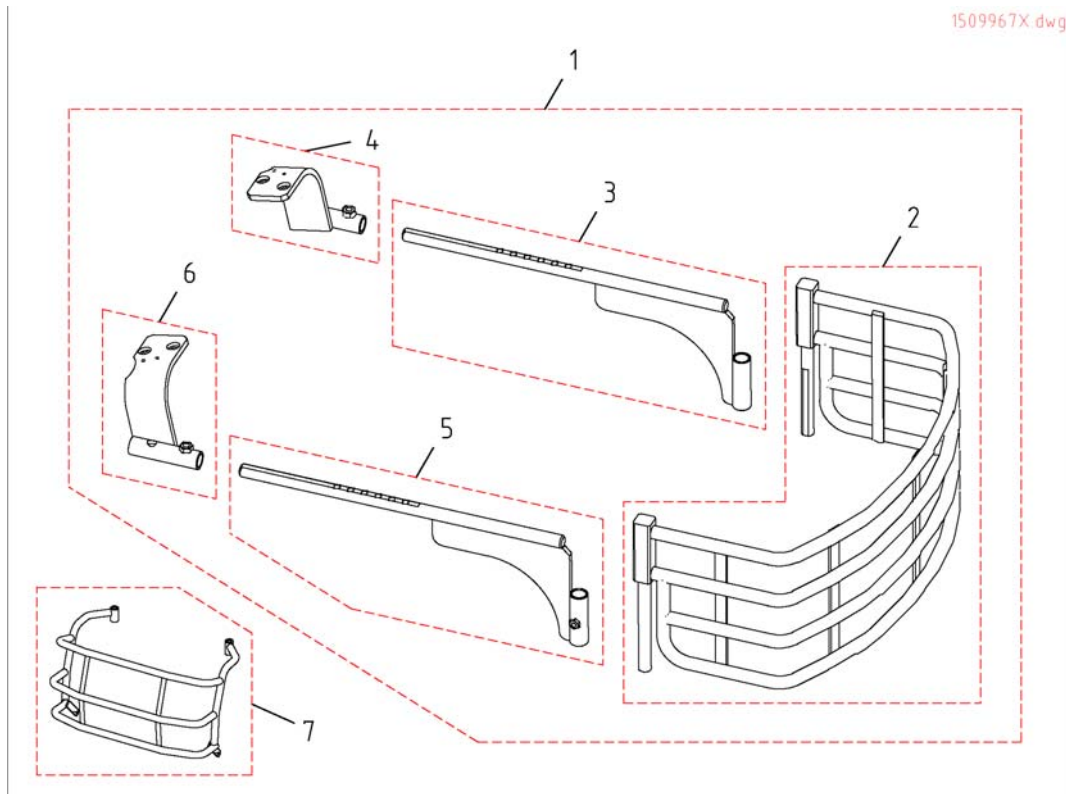
Bumper UK

1504203X.dwg



Pos.	Part number	Description	Valid from → until	Qty
1	1510085	Bumper cpl.		1
2	SP1504203	Front Bumper, rubberrised, cpl.		1
3	SP1504198	Sliding Bar		1
4	SP1504205	Holder For Bumper, LH, cpl.		1
5	SP1504053	Side-Protector, RH/LH, cpl.		1
6	SP1504206	Holder For Bumper, RH, cpl.		1
7	SP1518415	Rear Bumper, cpl.		1

Bumper FR



Pos.	Part number	Description	Valid from → until	Qty
-	1515582	Locking pin		1
1	SP1509967	Front Bumper cpl.		1
2	1510092-9005	Front Bumper		1
3	1510124-9005	Front Bumper Bracket, LH		1
4	1510106-9005	Frameholder, LH		1
5	1510125-9005	Front Bumper Bracket, RH		1
6	1510107-9005	Frameholder, LH		1
7	SP1518415	Rear Bumper, cpl.		1



Yes, you can.®



Belgium & Luxemburg:

Invacare nv, Autobaan 22, B-8210 Loppem
Tel: (32) (0)50 83 10 10, Fax: (32) (0)50 83 10 11
belgium@invacare.com

Danmark:

Invacare A/S, Sdr. Ringvej 37, DK-2605 Brøndby
Tel: (45) (0)36 90 00 00, Fax: (45) (0)36 90 00 01
denmark@invacare.com

Deutschland:

Invacare Aquatec GmbH, Alemannenstraße 10, D-88316 Isny
Tel: (49) (0)75 62 7 00 0, Fax: (49) (0)75 62 7 00 66
info@invacare-aquatec.com

European Distributor Organisation:

Invacare, Kleiststraße 49, D-32457 Porta Westfalica
Tel: (49) (0)57 31 754 540, Fax: (49) (0)57 31 754 541
edo@invacare.com

España:

Invacare SA, c/Areny s/n, Polígon Industrial de Celrà, E-17460 Celrà (Girona)
Tel: (34) (0)972 49 32 00, Fax: (34) (0)972 49 32 20
contactsp@invacare.com

France:

Invacare Poirier SAS, Route de St Roch, F-37230 Fondettes
Tel: (33) (0)2 47 62 64 66, Fax: (33) (0)2 47 42 12 24
contactfr@invacare.com

Ireland:

Invacare Ireland Ltd, Unit 5 Seatown Business Campus, Seatown Road, Swords, County Dublin - Ireland
Tel: (353) 1 810 7084, fax: (353) 1 810 7085
ireland@invacare.com

Italia:

Invacare Mecc San s.r.l., Via dei Pini 62, I-36016 Thiene (VI)
Tel: (39) 0445 38 00 59, Fax: (39) 0445 38 00 34
italia@invacare.com

Nederland:

Invacare BV, Celsiusstraat 46, NL-6716 BZ Ede
Tel: (31) (0)318 695 757, Fax: (31) (0)318 695 758
nederland@invacare.com, csede@invacare.com

Norge:

Invacare AS, Grensesvingen 9, Postboks 6230, Etterstad, N-0603 Oslo
Tel: (47) (0)22 57 95 00, Fax: (47) (0)22 57 95 01
norway@invacare.com, island@invacare.com

Österreich:

Mobitec Mobilitätshilfen GmbH, Herzog Odilostrasse 101, A-5310 Mondsee
Tel: (43) 6232 5535 0, Fax: (43) 6232 5535 4
office@mobitec-austria.com, austria@invacare.com

Portugal:

Invacare Lda, Rua Estrada Velha, 949, P-4465-784 Leça do Balio
Tel: (351) (0)225 1059 46147, Fax: (351) (0)225 1057 39
portugal@invacare.com

Sverige & Suomi:

Invacare AB, Fagerstagatan 9, S-163 91 Spånga
Tel: (46) (0)8 761 70 90, Fax: (46) (0)8 761 81 08
sweden@invacare.com, finland@invacare.com

Switzerland:

Mobitec Rehab AG, Benkenstrasse 260, CH-4108 Witterswil
Tel: (41) (0)61 487 70 80, Fax: (41) (0)61 487 70 81
office@mobitec-rehab.ch, switzerland@invacare.com

United Kingdom:

Invacare Limited, Pencoed Technology Park, Pencoed, Bridgend CF35 5HZ
Switchboard Tel: (44) (0)1656 776200, Fax: (44) (0)1656 776201
Customer services Tel: (44) (0)1656 776222, Fax: (44) (0)1656 776220
UK@invacare.com