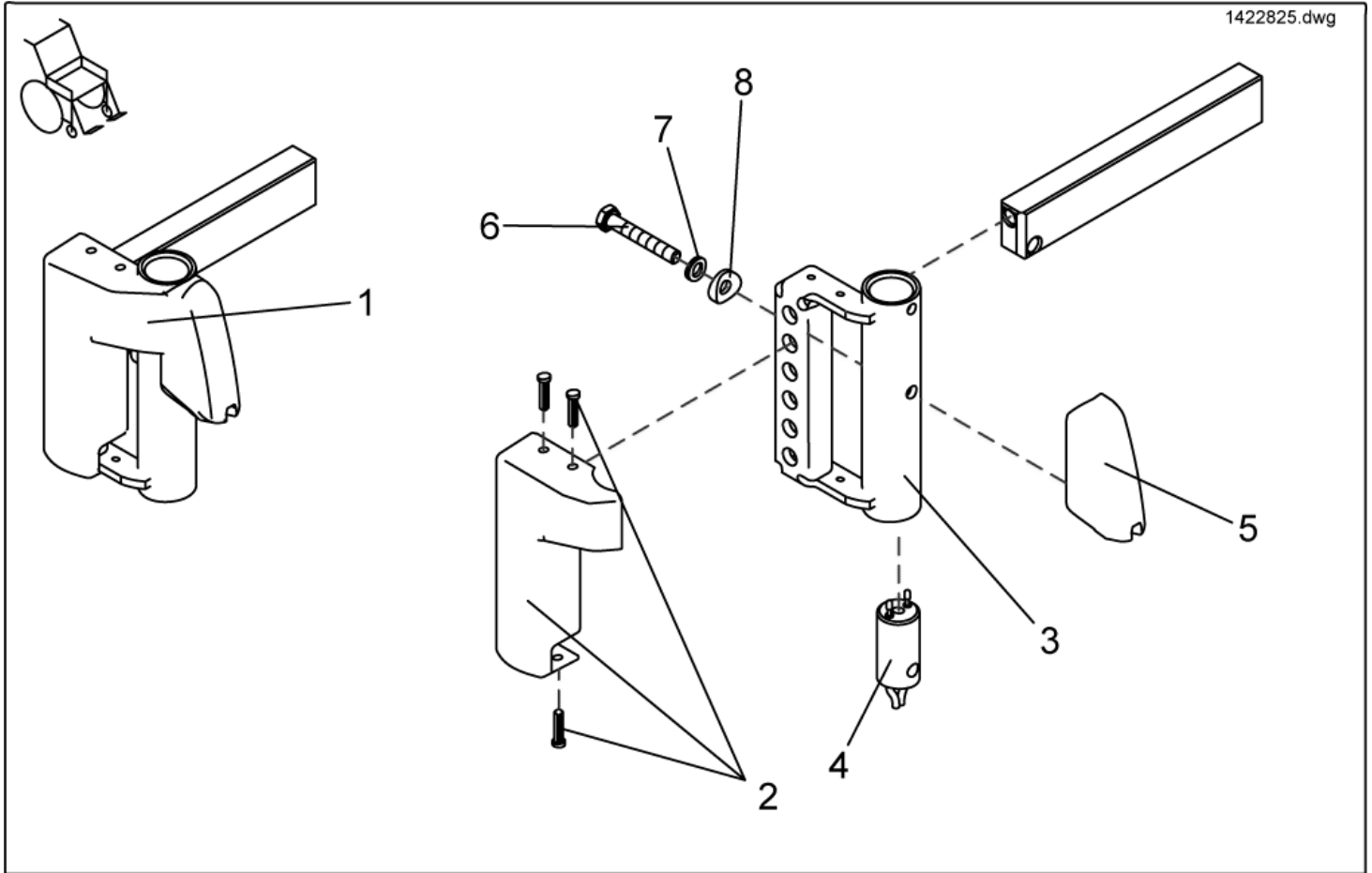


Legrests, sideways mounted - Footrest receptacle



item	ordercode	description	quantity
1	SP1417917	LEG SUPPORT CARRIER LH MG HS SEAT FRAMES	1
1	SP1417918	LEG SUPPORT CARRIER RH MG HS SEAT FRAMES	1
1	SP1422825	FOOTREST SUPPORT LH F. ELECTRIC LEGREST	1
1	SP1422826	FOOTREST SUPPORT RH F. ELECTRIC LEGREST	1
2	1434961	FOOTREST SUPPORT RH F. ELECTRIC LEGREST	1
2	1434960	COVER LH WITH PINE TREE	1
3	NA	COVER RH WITH PINE TREE	1
3	NA	LEGREST RECEPTACLE LH	1
4	1415097	LEGREST RECEPTACLE RH	2
5,6,7,8	SP1423192	LEGREST CONTACT W. CABLE 700 MM	2
5	NA	LEGREST ADAPTER ASSEMBLY KIT	1
6	NA	FRAME ADAPTER (ALU)	1
7	NA	SCREW M6 X 40, DIN 933	1
8	NA	NORD-LOCK WASHER 6 MM	1

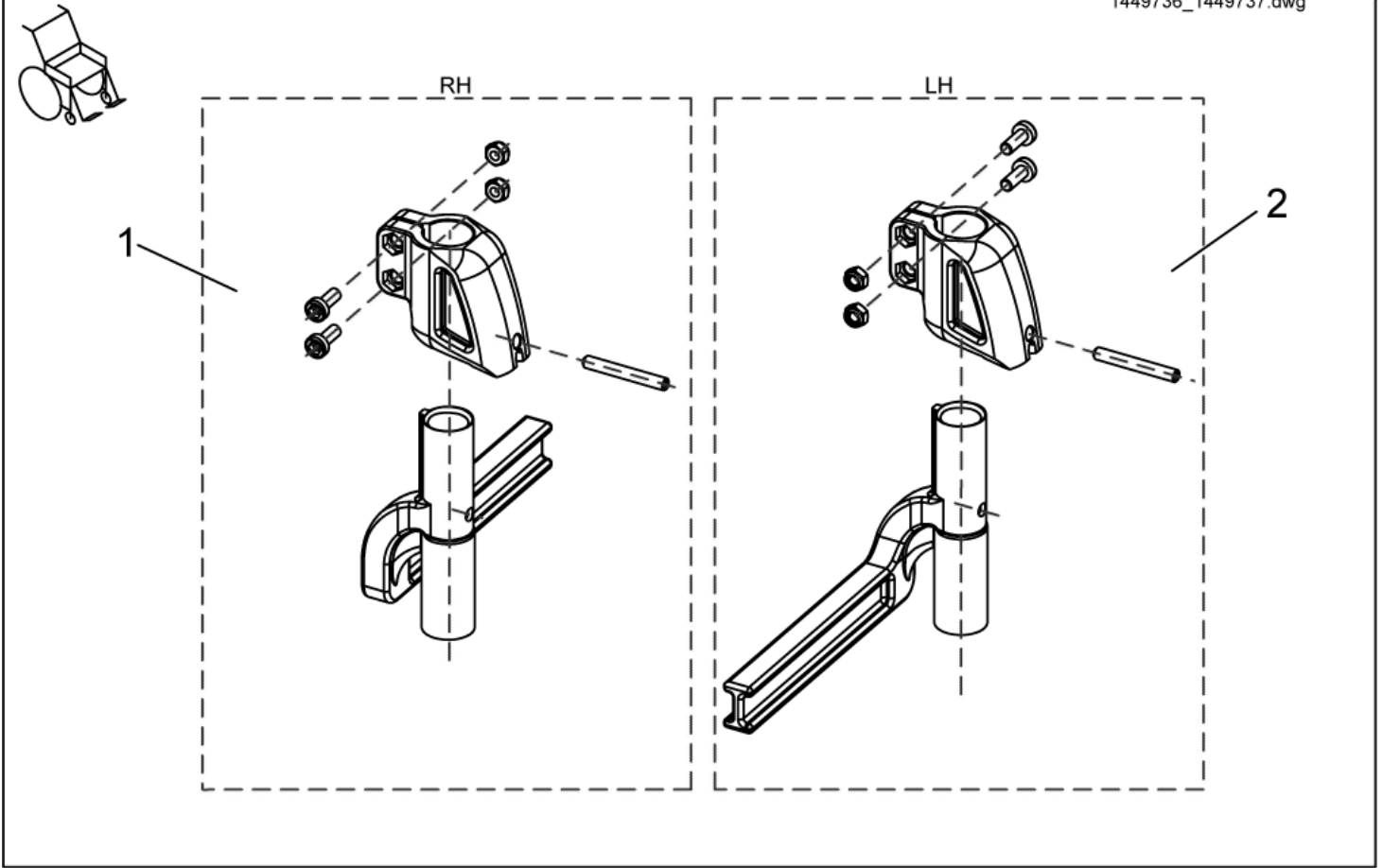
✓

Note:

The Power supply cable, ordercode 1415097 is not compatible with Footrest receptacle starting from year of construction 07/2005.

Legrests, sideways mounted - Footrest receptacle complete, manual 8cm

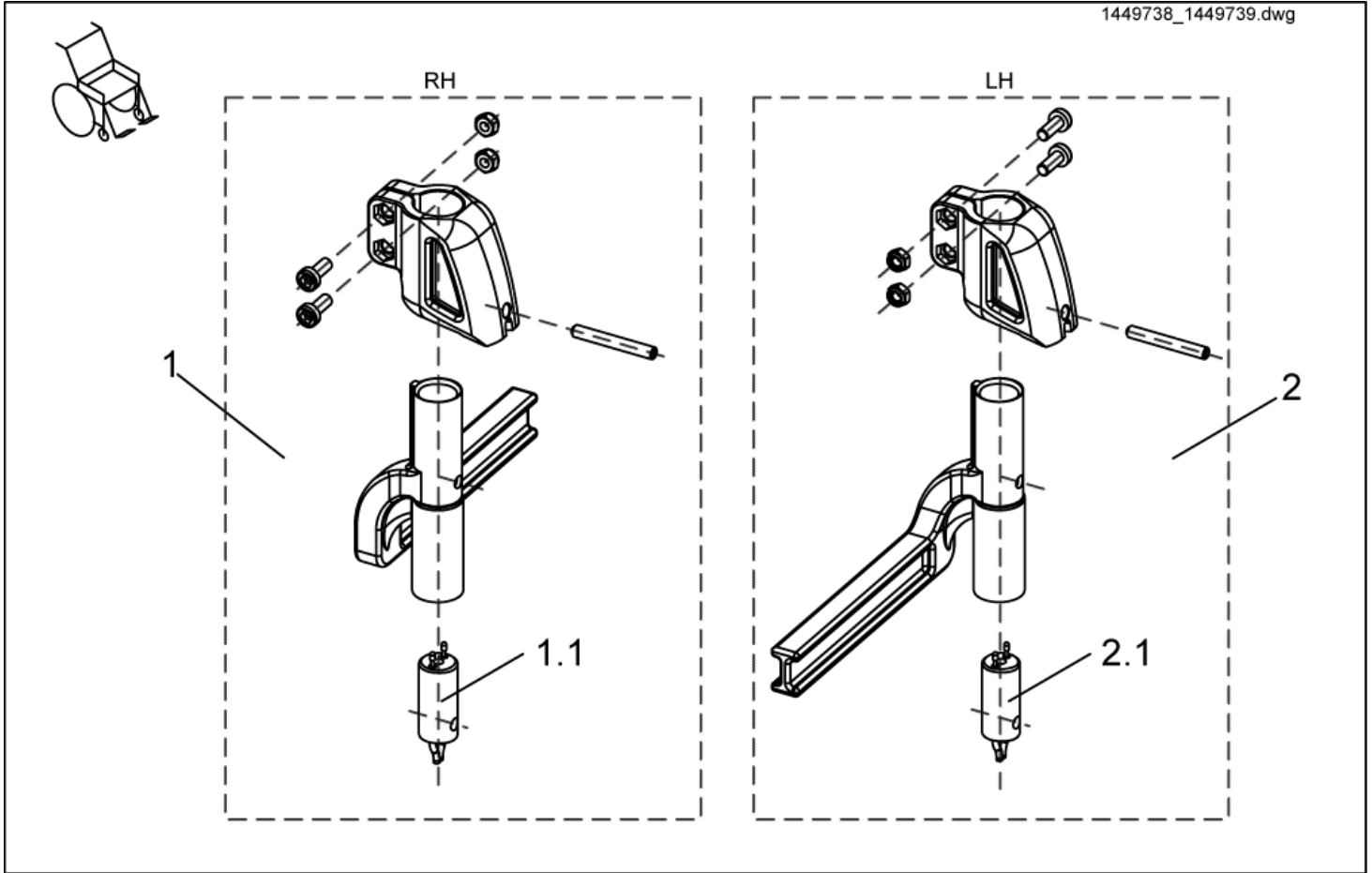
1449736_1449737.dwg



item	ordercode	description	quantity
1	SP1449736	FOOTREST RECEPTACLE COMPLETE, RH MANUAL 8CM	1
2	SP1449737	FOOTREST RECEPTACLE COMPLETE, LH MANUAL 8CM	1

Legrests, sideways mounted - Footrest receptacle cpl., electric 8cm

1449738_1449739.dwg

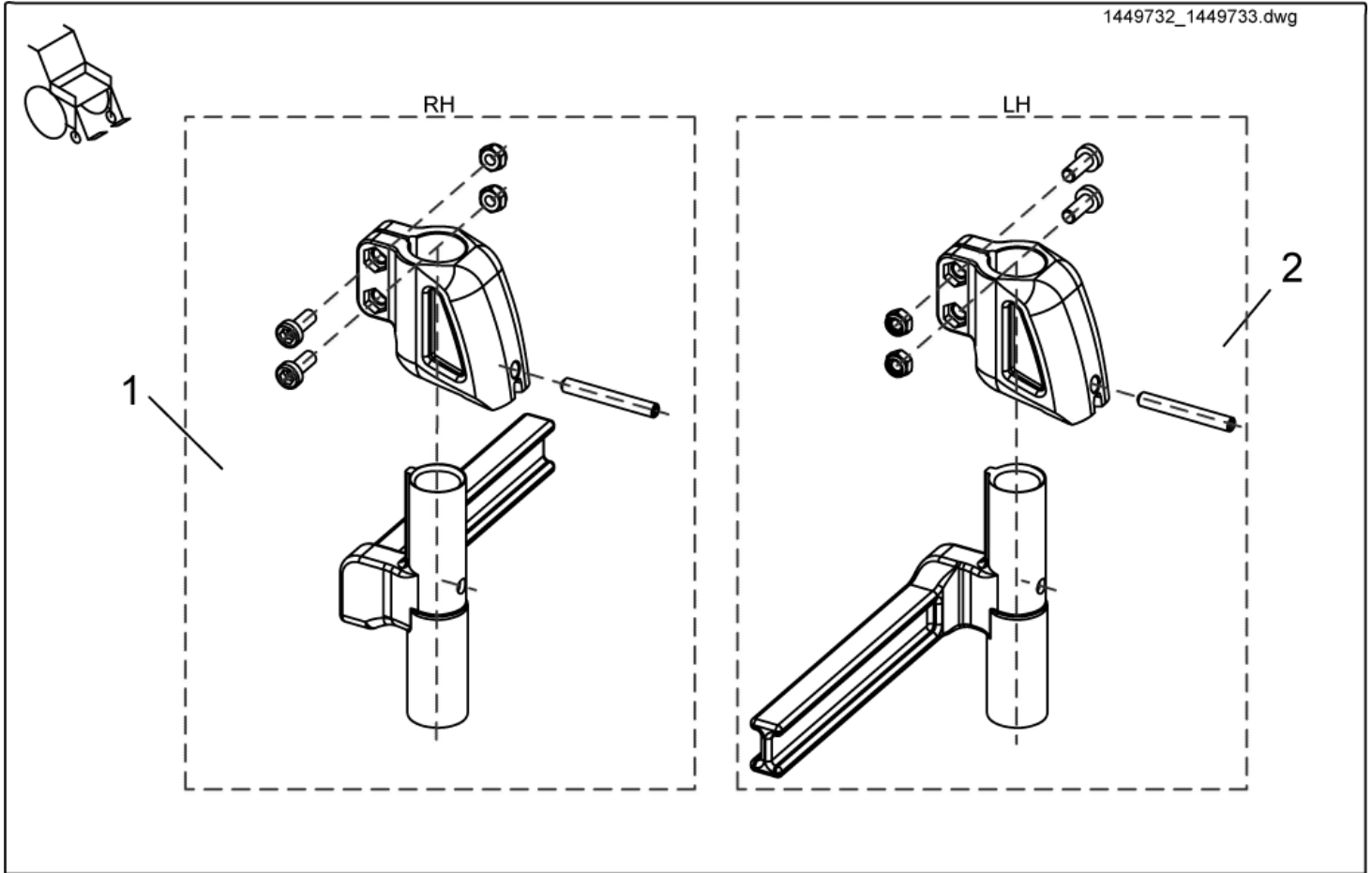


item	ordercode	description	quantity
1	SP1449738	FOOTREST RECEPTACLE CPL., RH ELECTRIC 8CM	1
1.1	1450232	POWER SUPPLY CABLE FOOTREST, SHORT (BLACK ADAPTER)	1
2	SP1449739	FOOTREST RECEPTACLE CPL., LH ELECTRIC 8CM	1
2.1	1450228	POWER SUPPLY CABLE FOOTREST, LONG (BLACK ADAPTER)	1

✓ **Note:**
 The Power supply cable, ordercode 1450228 and 1450232 are not compatible with Footrest receptacle starting from year of construction 07/2005.

Legrests, sideways mounted - Footrest receptacle, complete, manual 5cm

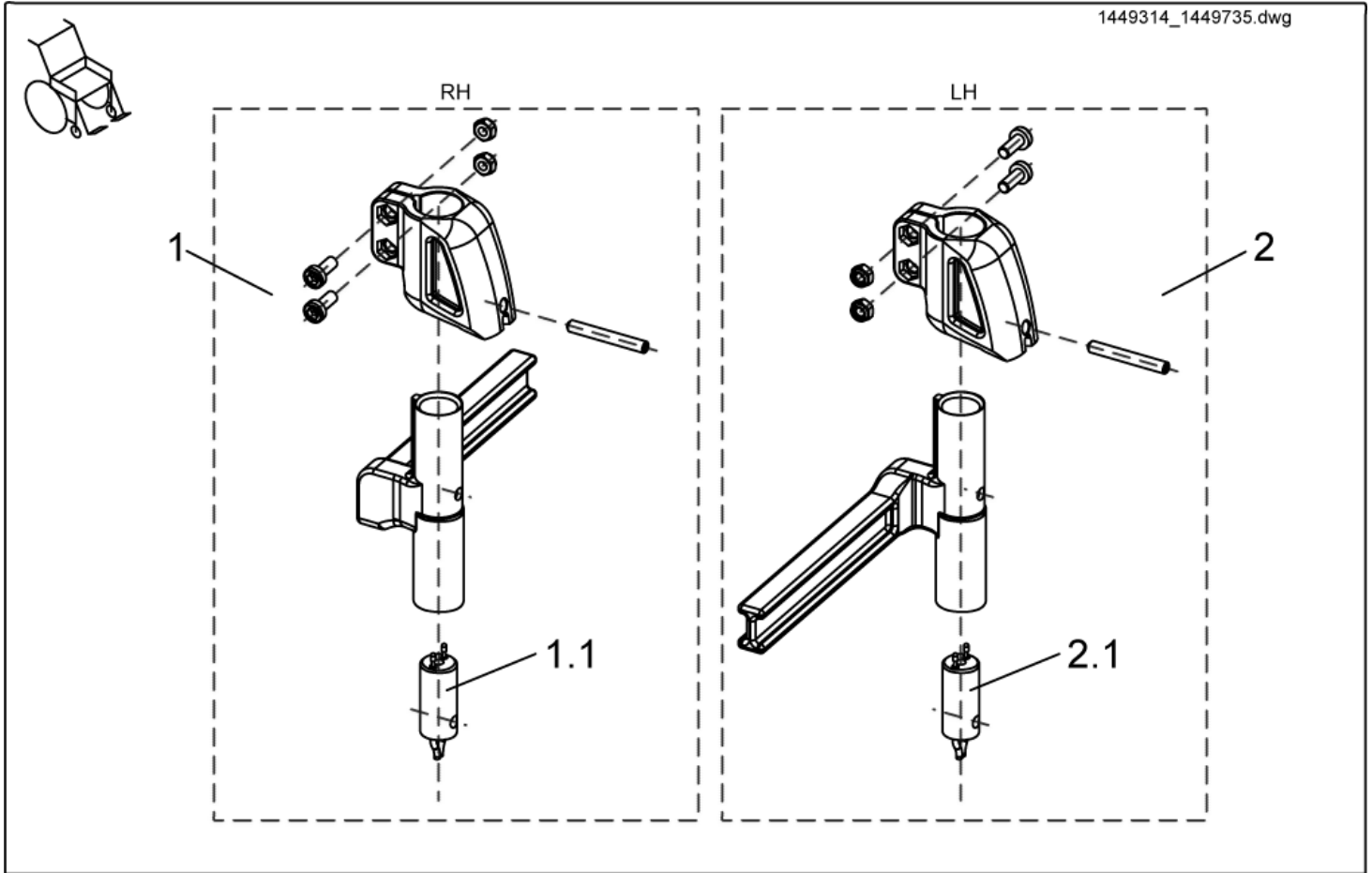
1449732_1449733.dwg



item	ordercode	description	quantity
1	SP1449732	FOOTREST RECEPTACLE, COMPLETE, MANUAL RH 5CM	1
2	SP1449733	FOOTREST RECEPTACLE, COMPLETE, MANUAL LH 5CM	1

Legrests, sideways mounted - Footrest receptacle, cpl., electric 5cm

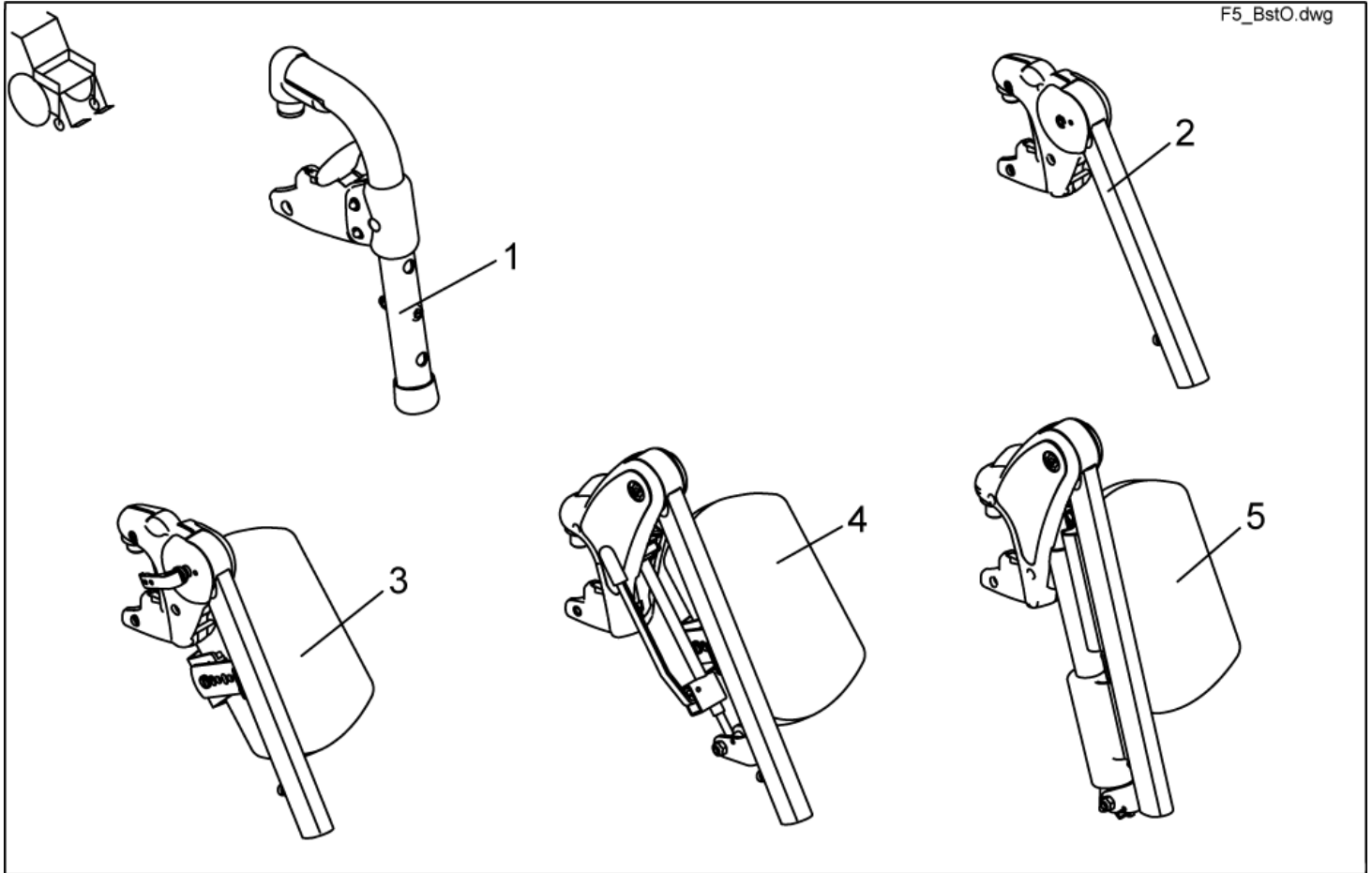
1449314_1449735.dwg



item	ordercode	description	quantity
1	SP1449314	FOOTREST RECEPTACLE, CPL., ELECTRIC RH 5CM	1
1.1	1450232	POWER SUPPLY CABLE FOOTREST, SHORT (BLACK ADAPTER)	1
2	SP1449735	FOOTREST RECEPTACLE, CPL., ELECTRIC LH 5CM	1
2.1	1450228	POWER SUPPLY CABLE FOOTREST, LONG (BLACK ADAPTER)	1

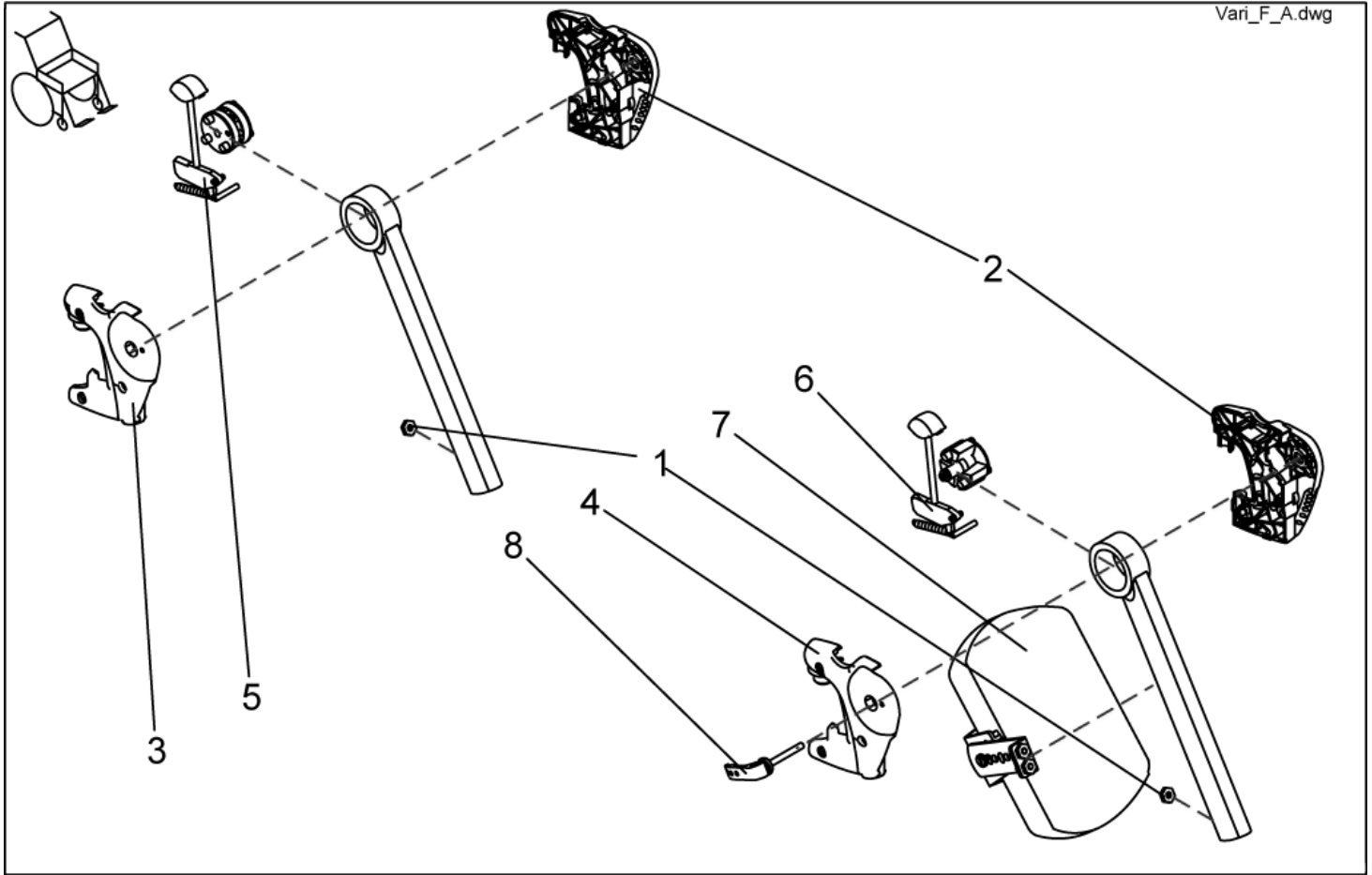
✓ **Note:**
The Power supply cable, ordercode 1450228 and 1450232 are not compatible with Footrest receptacle starting from year of construction 07/2005.

Legrests, sideways mounted - Hanger



item	ordercode	description	quantity
1	1430117	LEGRESTS "STORM 3 EURO" CPL. (PAIR)	1
1	1430116	LEGRESTS "STORM 3 EURO" LH CPL.	1
1	1430115	LEGRESTS "STORM 3 EURO" RH CPL.	1
1	B273003.P92	HANGER STD. 80 LH CPL.; RAL 0307	1
1	B273002.P92	HANGER STD. 80 RH CPL.; RAL 0307	1
2	SP1422564	UPPER FOOTREST LH (90°-65°) CPL..	1
2	SP1422563	UPPER FOOTREST RH (90°-65°) CPL.	1
3	SP1422565	UPPER FOOTREST LH, MANUAL HEIGHT ADJUSTMENT, CPL.	1
3	SP1422566	UPPER FOOTREST RH, MANUAL HEIGHT ADJUSTMENT CPL.	1
4	SP1422568	UPPER FOOTREST LH 80°, MANUAL HEIGHT ADJUSTMENT, CPL.	1
4	SP1422567	UPPER FOOTREST T RH 80°, MANUAL HEIGHT ADJUSTMENT CPL.	1
5	SP1422570	UPPER FOOTREST LH, ELECTR. HEIGHT ADJUSTMENT, CPL.	1
5	SP1422569	UPPER FOOTREST RH, ELECTRIC HEIGHT ADJUSTMENT, CPL.	1

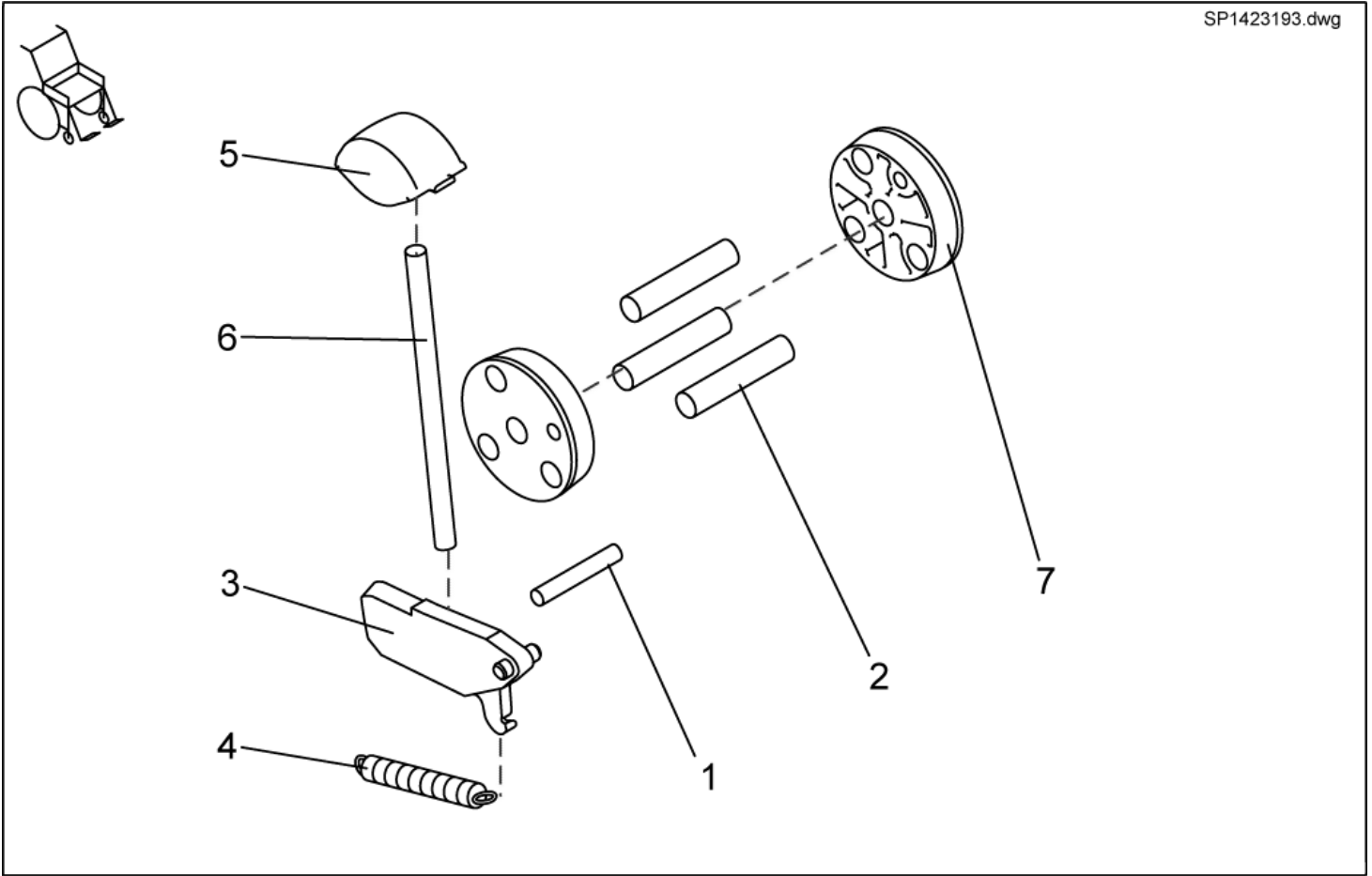
Legrests, sideways mounted - Vari F+A Detailed



item	ordercode	description	quantity
1	Z173189.99	NUT M6 SW-14	2
2	Z173181	HANGER LH	1
3	Z173182	HANGER RH	1
4	Z173194	HANGER RH	1
5	SP1423193	RELEASE UNIT ASSEMBLY KIT	2
6	SP1423194	RELEASE UNIT ASSEMBLY KIT F. LEGREST W. MAN. HEIGHT ADJUSTMENT	2
7	SPZ174163	CALF SUPPORT (VARI A) CPL.	2
7	6301333	CALF SUPPORT	2
8	L32906	CLAMPING LEVER M6	2

Legrests, sideways mounted - Release unit assembly kit

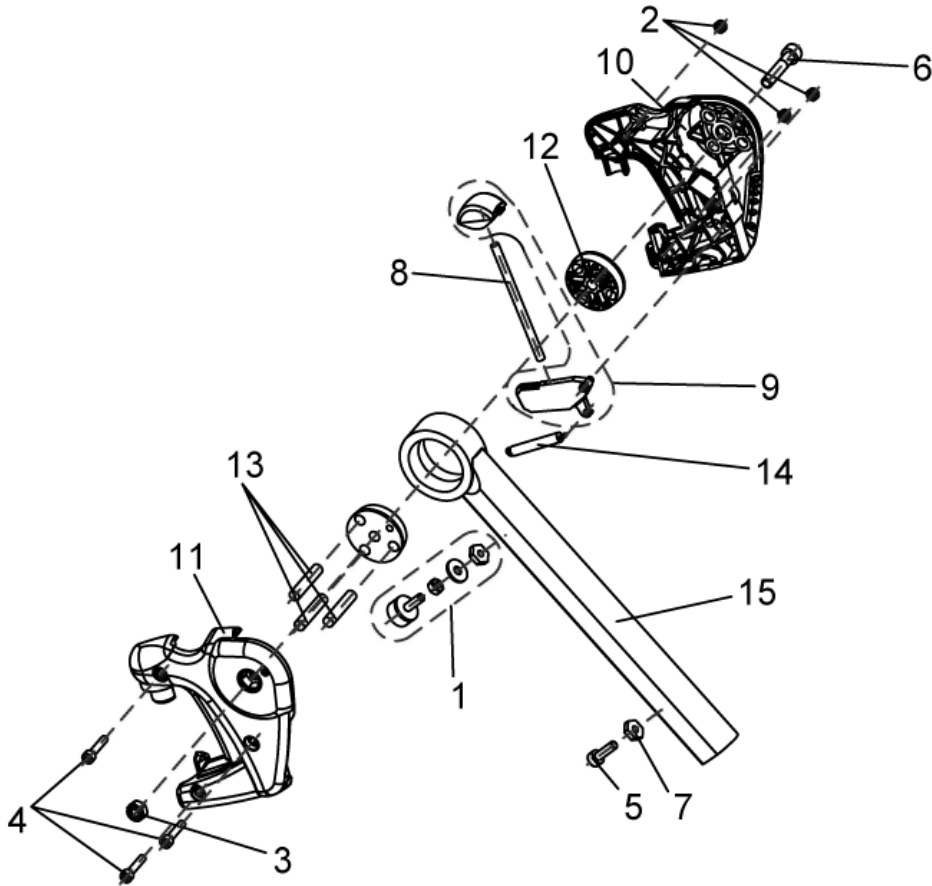
SP1423193.dwg



item	ordercode	description	quantity
1,2,3,4,5,6,7	SP1423193	RELEASE UNIT ASSEMBLY KIT	2
1	NA	DOWEL RD. 5 X 32; DIN-7	1
2	NA	DOWEL RD. 8 X 40; DIN-7	3
3	NA	LOCK LEVER	1
4	NA	SPRING	1
5	NA	RELEASE KNOB	1
6	NA	PUSH ROD	1
7	NA	CONED WASHER	2

Legrests, sideways mounted - Upper Vari F, right

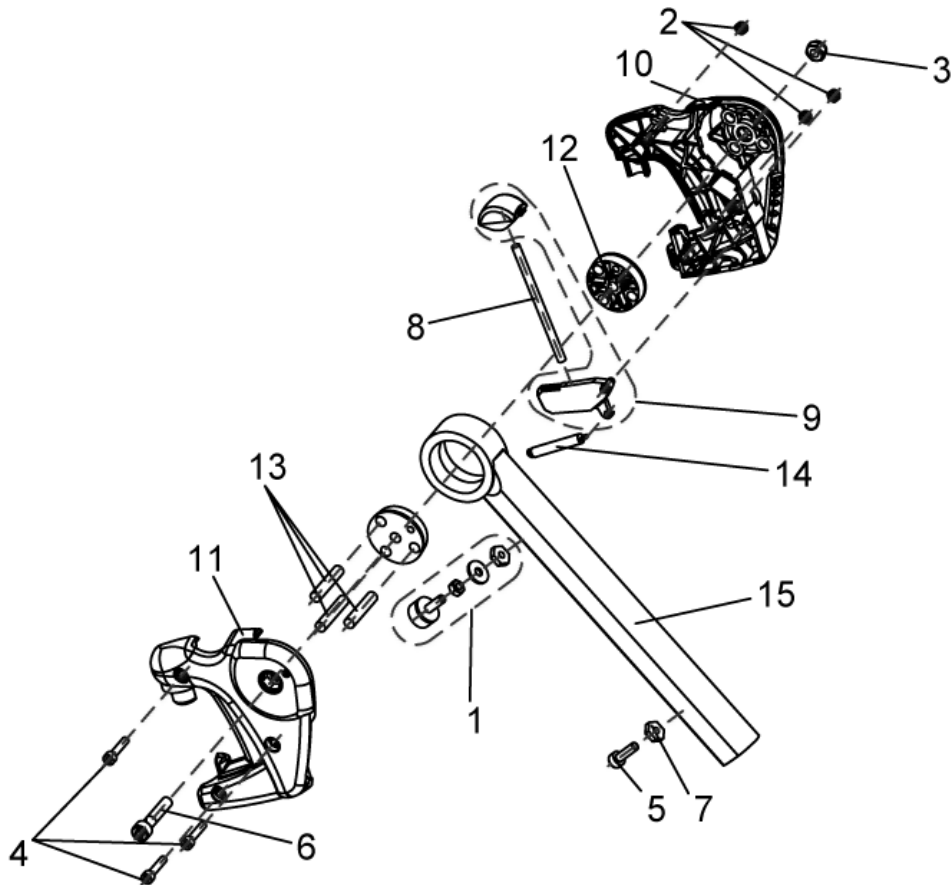
1449346.dwg



item	ordercode	description	quantity
-	SP1449346	UPPER VARI F, RH COMPLETE	1
1	1449154	RUBBER STOP COMPLETE, VARI A / VARI F	1
2	NA	NYLOC NUT M5	3
3	NA	NYLOC NUT M8	1
4	NA	SOCKET HEAD CAP SCREW M5 X 25	3
5	NA	SOCKET HEAD CAP SCREW M6 X 20	1
6	NA	SOCKET HEAD CAP SCREW M8 X 40	1
7	Z173189.99	NUT M6 SW-14	1
8	NA	PUSH ROD	1
9	1449167	RELEASE BUTTON + LOCK LEVER	1
10	Z173181	HANGER LH	1
11	Z173182	HANGER RH	1
12	Z173188	CONED WASHER	1
13	NA	"ZYLINDERSTIFT RD. 8 X 40; DIN-7"	3
14	Z173178	SPRING	1
15	Z173185-9005	UPPER FOOTREST RH (90-65°)	1

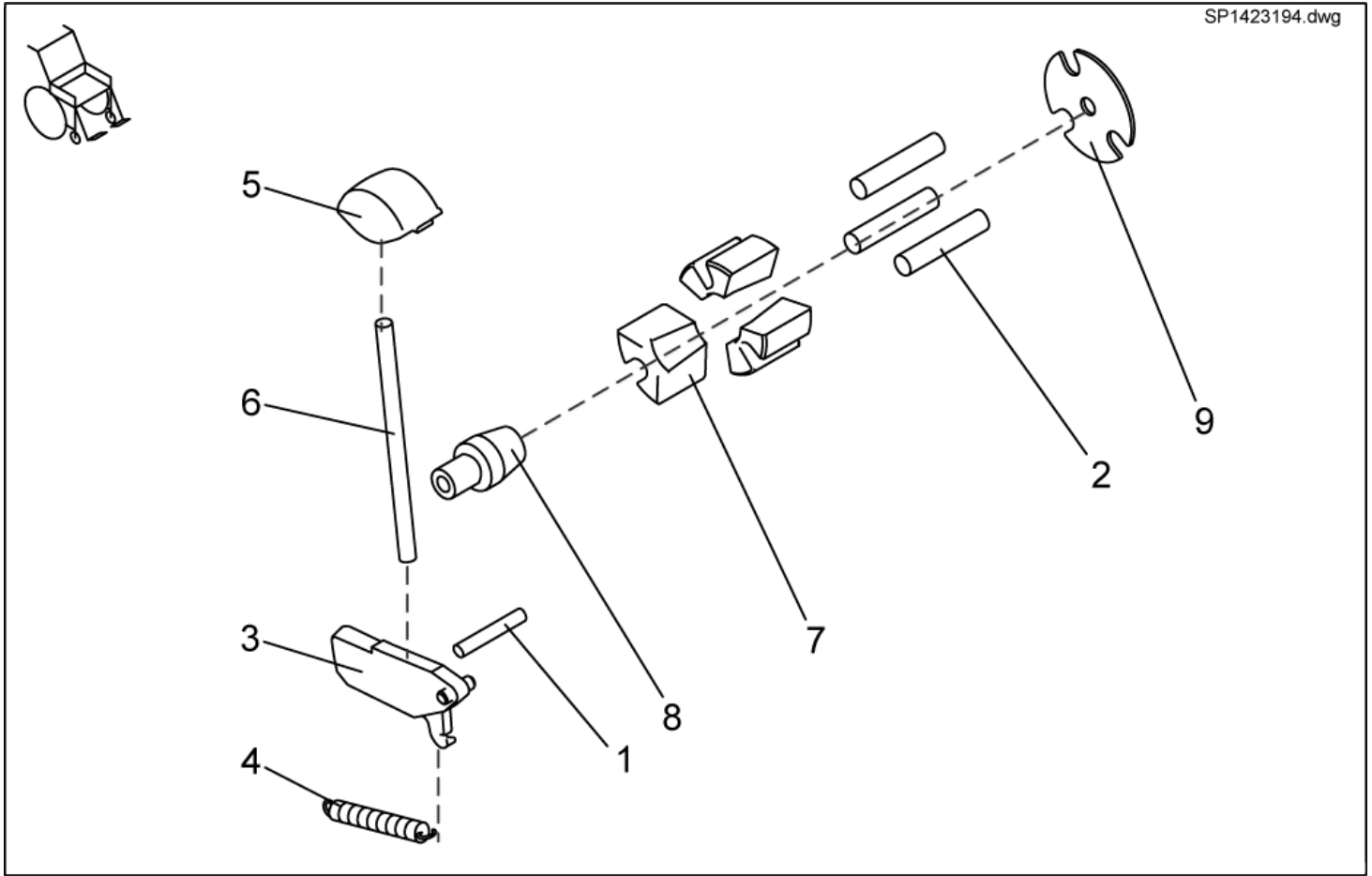
Legrests, sideways mounted - Upper Vari F, left

1449347.dwg



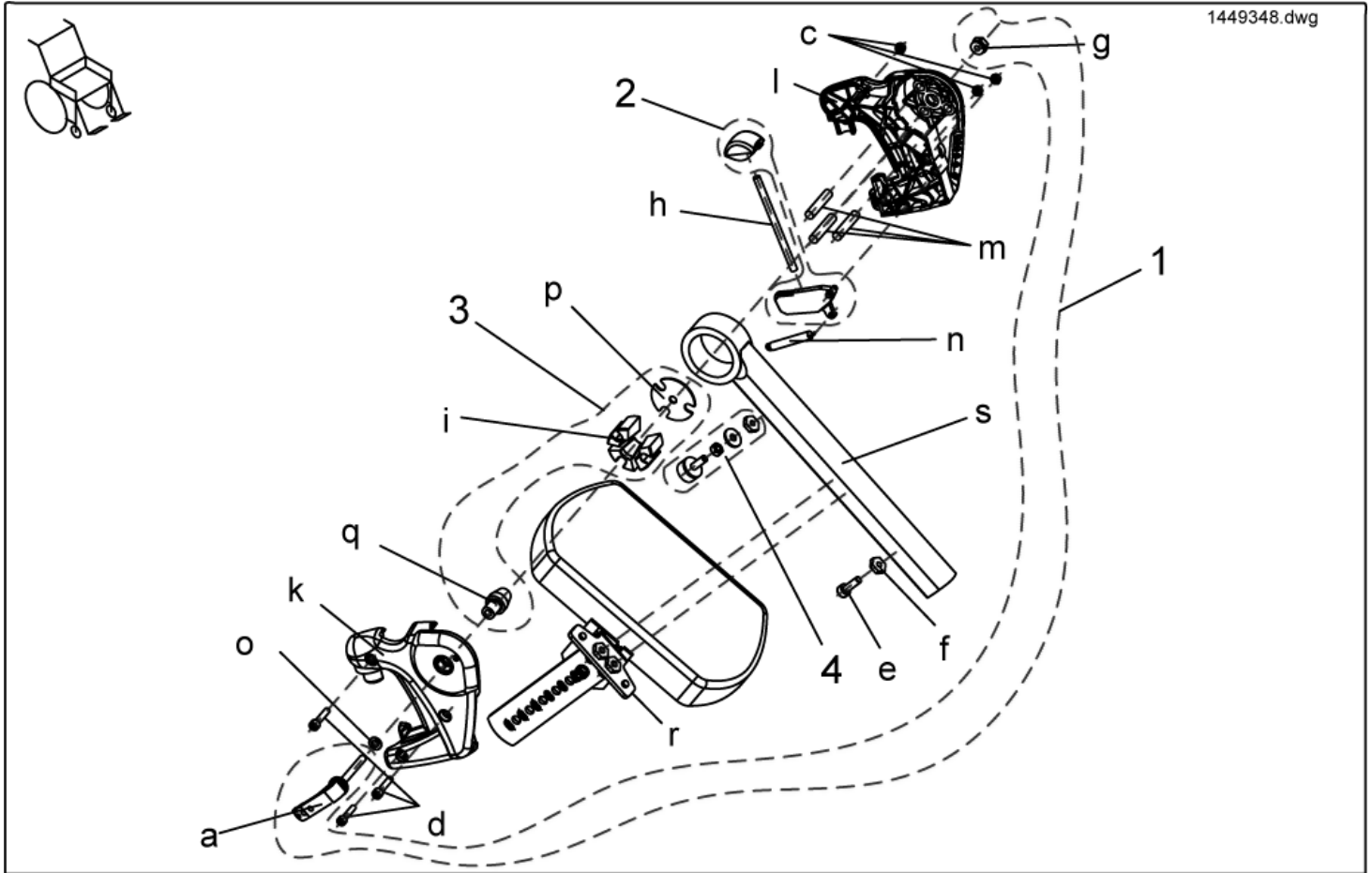
item	ordercode	description	quantity
-	SP1449347	UPPER VARI F, LH COMPLETE	1
1	1449154	RUBBER STOP COMPLETE, VARI A / VARI F	1
2	NA	NYLOC NUT M5	3
3	NA	NYLOC NUT M8	1
4	NA	SOCKET HEAD CAP SCREW M5 X 25	3
5	NA	SOCKET HEAD CAP SCREW M6 X 20	1
6	NA	SOCKET HEAD CAP SCREW M8 X 40	1
7	Z173189.99	M6 NUT, WIDTH ACROSS FLAT 14	2
8	NA	PUSH ROD	1
9	1449167	RELEASE BUTTON + LOCK LEVER	1
10	Z173181	HANGER LH	1
11	Z173182	HANGER RH	1
12	Z173188	CONED WASHER	2
13	NA	"DOWEL RD. 8 X 40; DIN-7"	3
14	Z173178	SPRING	1
15	Z173185-9005	UPPER FOOTREST RH (90-65°)	1

Legrests, sideways mounted - Release unit assembly kit f. legrest w. man. height adjustment



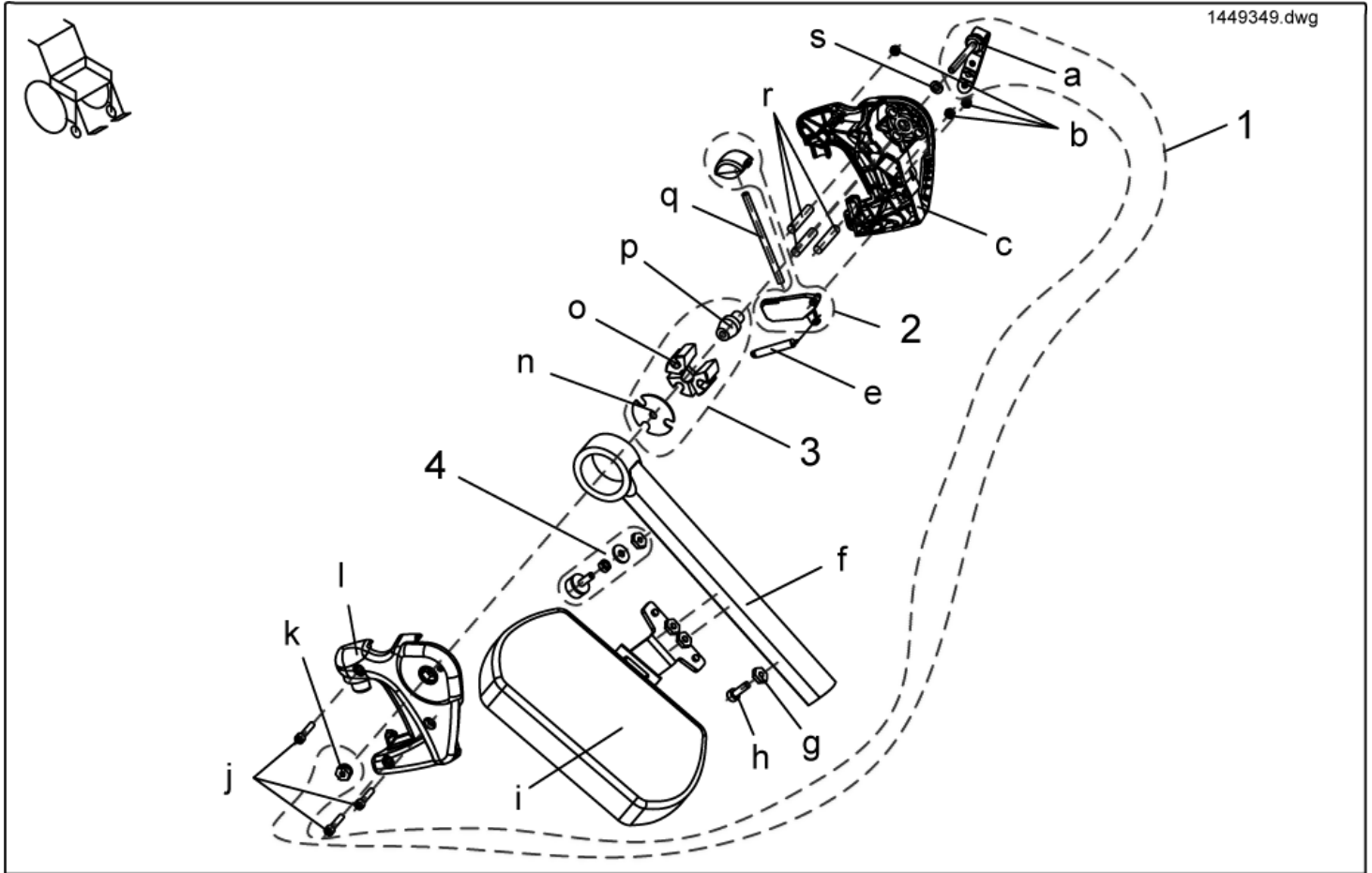
item	ordercode	description	quantity
1,2,3,4,5,6,7,8,9	SP1423194	RELEASE UNIT ASSEMBLY KIT F. LEGREST W. MAN. HEIGHT ADJUSTMENT	2
1	NA	DOWEL RD. 5 X 32; DIN-7	1
2	NA	DOWEL RD. 8 X 40; DIN-7	3
3	NA	LOCK LEVER	1
4	NA	SPRING	1
5	NA	RELEASE KNOB	1
6	NA	PUSH ROD	1
7	NA	CLAMP BLOCK	3
8	NA	CONE	1
9	NA	LOCATING WASHER	1

Legrests, sideways mounted - Upper Vari A complete, right



item	ordercode	description	quantity
-	SP1449348	Upper Vari A complete, RH	1
1	1450597	Assembly kit, Vari A release handle	1
2	1449167	Assembly kit, release button + lock lever	1
3	1450598	Assembly kit, Vari A , clamping block	1
4	1449154	Assembly kit, rubber stop complete, Vari A/Vari F	1
a	NA	CLAMP LEVER M6 X 25	1
c	NA	NYLOC NUT M5	3
d	NA	SOCKET HEAD CAP SCREW M5 X 25	3
e	NA	SOCKET HEAD CAP SCREW M6 X 20	1
f	NA	NUT M6 SW-14	1
g	NA	NUT M6 SW-13	1
h	NA	PUSH ROD	1
i	NA	CLAMP BLOCK	1
k	NA	Hanger, RH	1
l	NA	Hanger, LH	1
m	NA	"DOWEL RD. 8 X 40; DIN-7"	3
n	NA	SPRING	1
o	NA	WASHER 6,4 X 12,5 X 1,6	1
p	NA	LOCATING WASHER	1
q	NA	CONE	1
r	NA	Calf plate bracket RH, swivelling	1
s	NA	Upper footrest Vari A	1

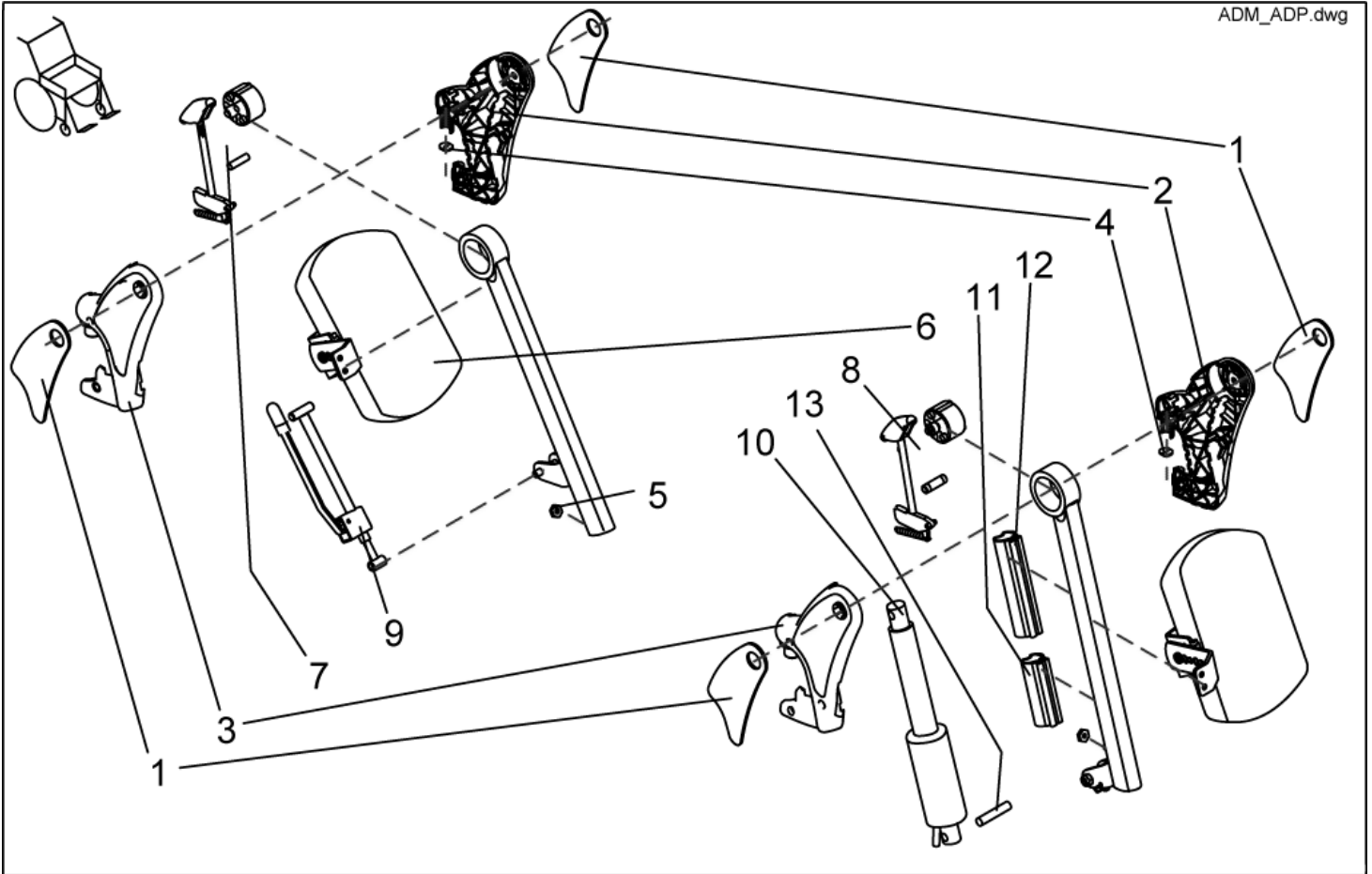
Legrests, sideways mounted - Upper Vari A complete, left



item	ordercode	description	quantity
-	SP1449349	Upper Vari A complete, LH	1
1	1450597	Assembly kit, Vari A release handle	1
2	1449167	Assembly kit, release button + lock lever	1
3	1450598	Assembly kit, Vari A clamping block	1
4	1449154	Assembly kit, rubber stop complete, Vari A / Vari F	1
a	NA	CLAMPING LEVER M6	1
b	NA	NYLOC NUT M5	3
c	NA	HANGER LH	1
e	NA	SPRING	1
f	NA	UPPER FOOTREST RH, MANUAL HEIGHT ADJUSTMENT	1
g	NA	NUT M6 SW-14	2
h	NA	SOCKET HEAD CAP SCREW M6 X 20	1
i	NA	Calf plate bracket, LH, swivelling	1
j	NA	SOCKET HEAD CAP SCREW M5 X 25	3
k	NA	NUT M6 SW-13	1
l	NA	HANGER RH	1
n	NA	LOCATING WASHER	1
o	NA	CLAMP BLOCK	3
p	NA	CONE	1
q	NA	PUSH ROD	1
r	NA	"DOWEL RD. 8 X 40; DIN-7"	1
s	NA	WASHER 6,4 X 12,5 X 1,6	1

Legrests, sideways mounted - ADM + ADP Detailed

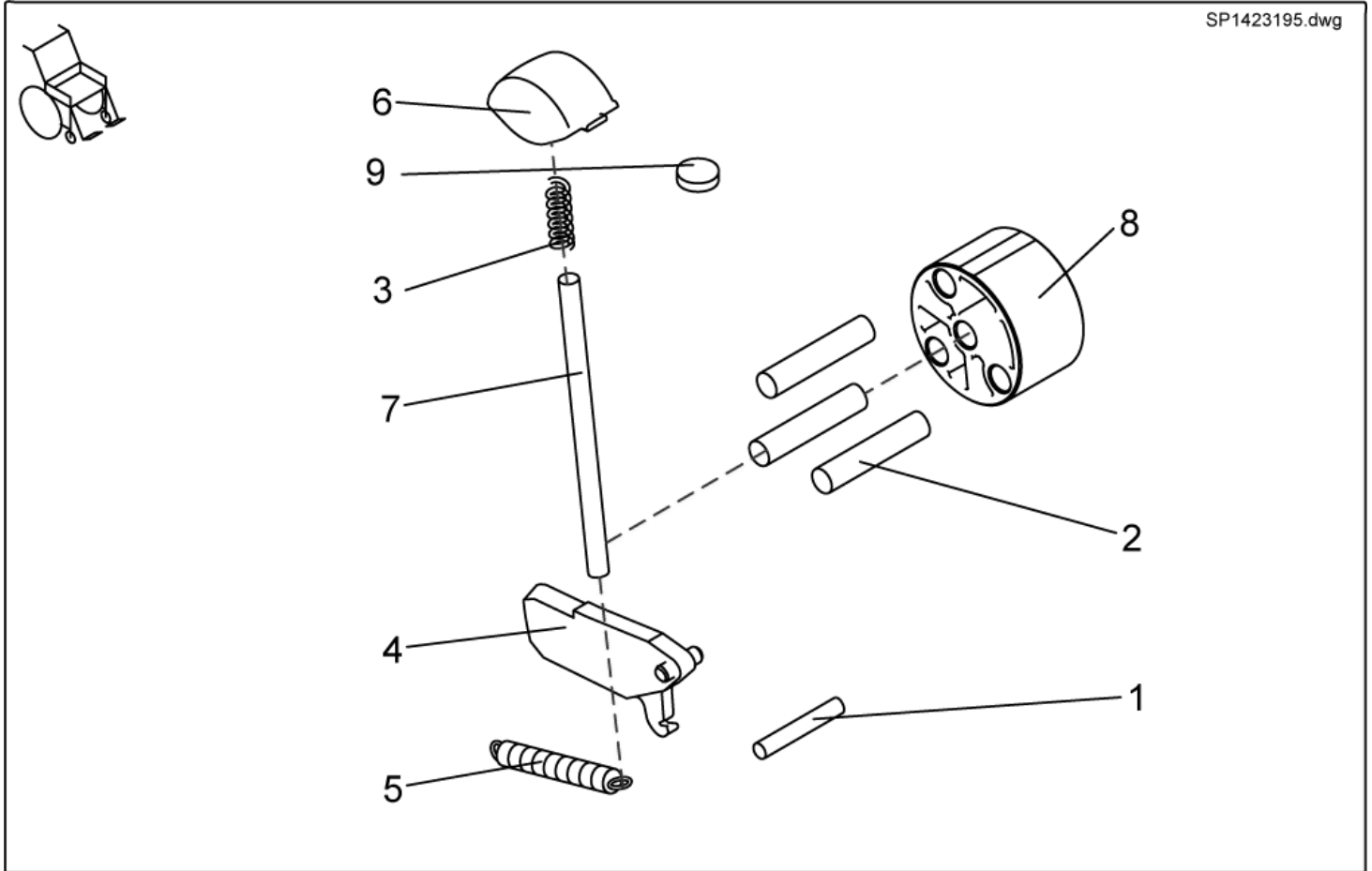
ADM_ADP.dwg



item	ordercode	description	quantity
1	1435024	KNEE PAD ADM (PAIR LH/RH)	2
2	Z174111	HANGER (AD) LH	1
3	Z174110	HANGER (AD) RH	1
4	Z174139	ADP-PLATE	2
5	Z173189.99	NUT M6 SW-14	6
6	SPZ174164	CALF SUPPORT ASSY (VARI AD)	2
6	6301333	CALF SUPPORT	2
7	SP1423195	RELEASE UNIT ASSEMBLY KIT F. LEGREST 80° W. MAN. HEIGHT ADJUSTMENT	2
8	SP1423201	RELEASE UNIT ASSEMBLY KIT F. LEGREST W. ELECTR. HEIGHT ADJUSTMENT	2
9	SPZ174130	ADM ADJUSTMENT MECHANISM CPL.	2
10	SPZ151006	ACTUATOR ASSY	2
11	Z174174	LOWER GUARD	2
12	Z174175	UPPER GUARD	2
13	4000665-0002	SPACER BUSH 10X1X22,5	2

Legrests, sideways mounted - Release unit assembly kit f. legrest 80° w. man. height adjustment

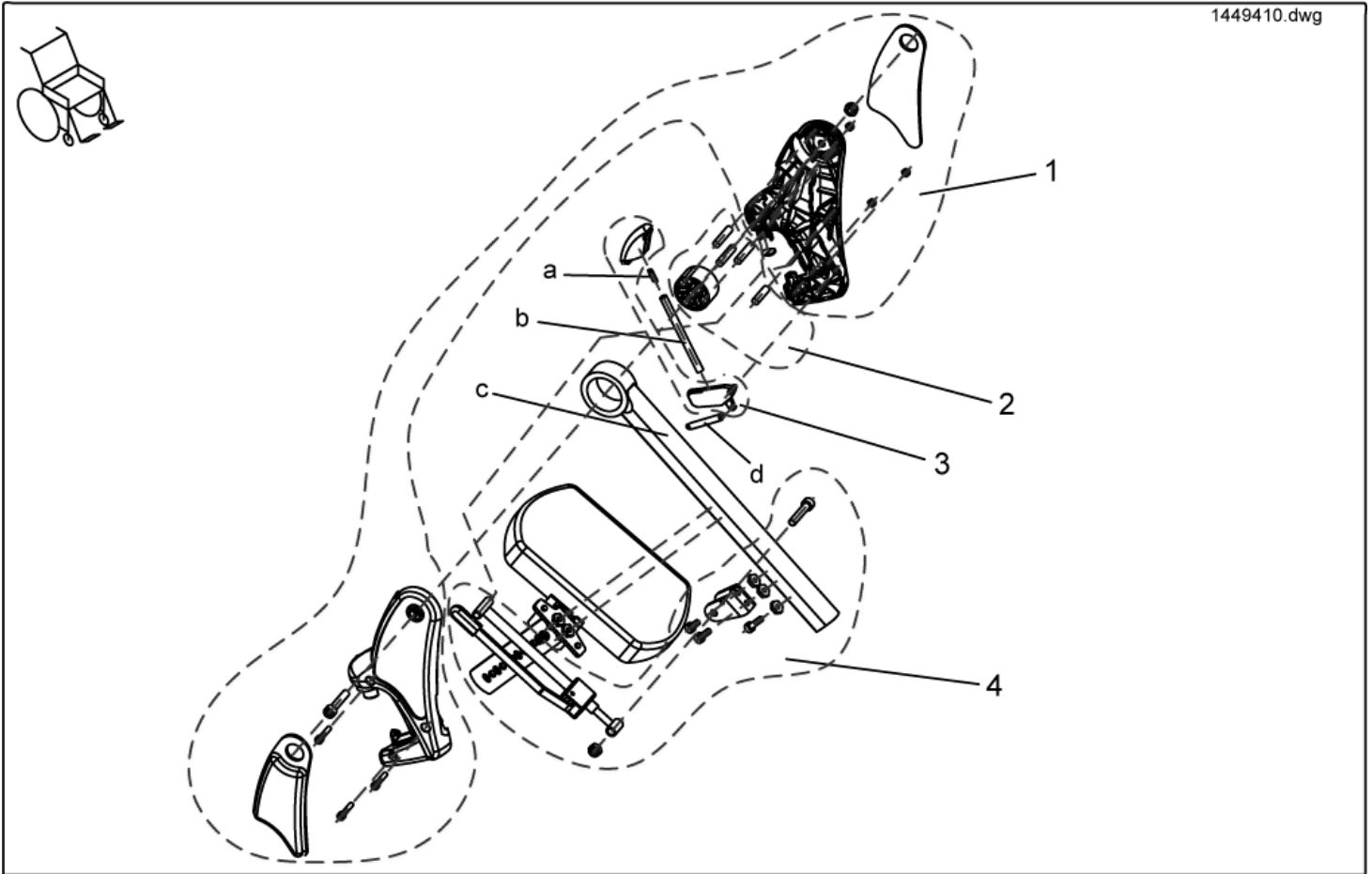
SP1423195.dwg



item	ordercode	description	quantity
1,2,3,4,5,6,7,8,9	SP1423195	RELEASE UNIT ASSEMBLY KIT F. LEGREST 80° W. MAN. HEIGHT ADJUSTMENT	2
1	NA	DOWEL RD. 8 X 30, DIN-7	1
2	NA	DOWEL RD. 8 X 36, DIN-7	3
3	NA	COMPRESSION SPRING	1
4	NA	LOCK LEVER	1
5	NA	SPRING	1
6	NA	RELEASE LEVER (AD)	1
7	NA	PUSH ROD	1
8	NA	SLIDING BUSH	1
9	Z174139	ADP-PLATE	1

Legrests, sideways mounted - Complete upper ADM, right

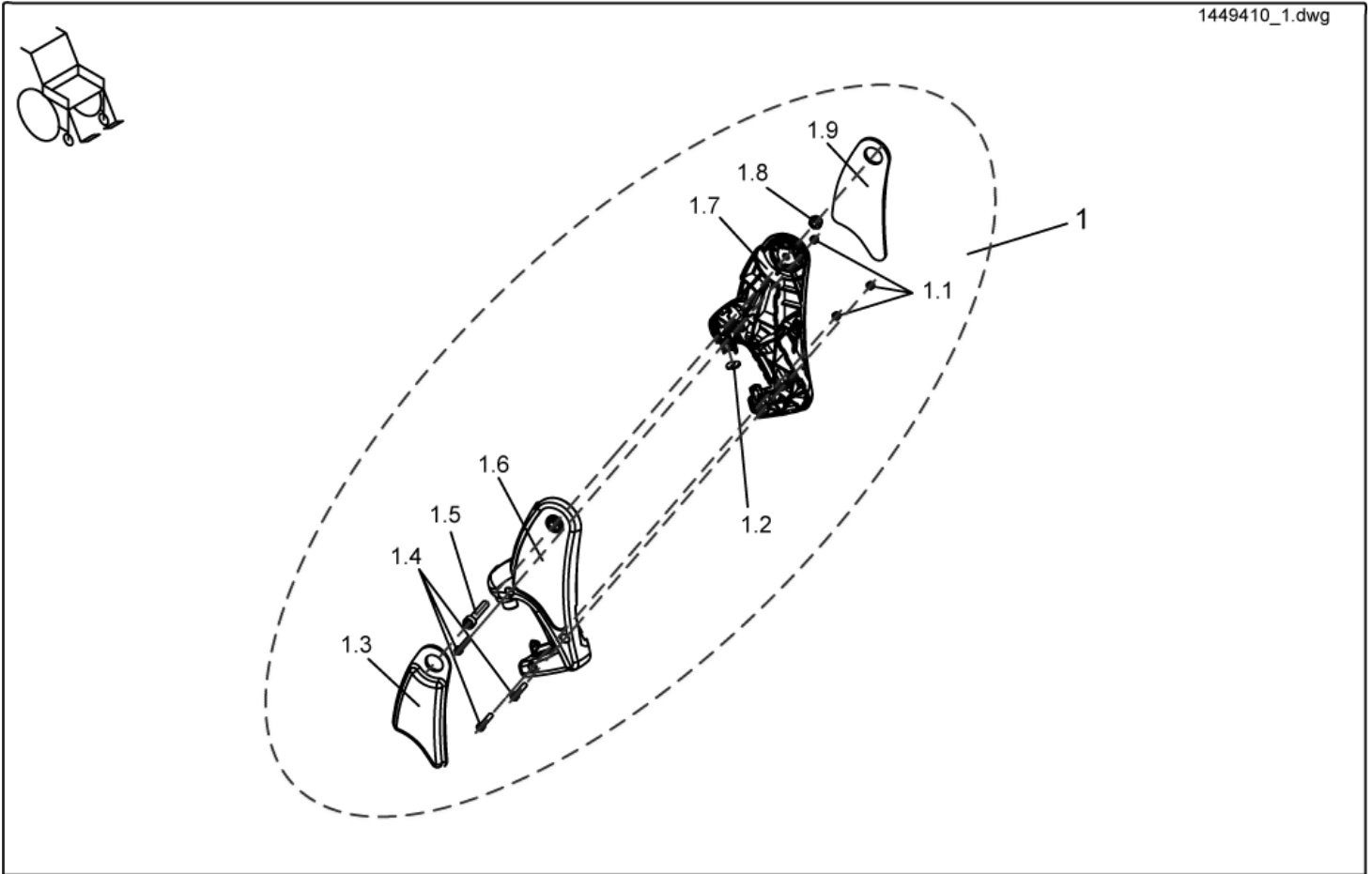
1449410.dwg



item	ordercode	description	quantity
-	SP1449410	Complete upper ADM, RH	1
1	NA	">>>see details on "assembly kit, hangers"	1
2	NA	">>>see details on ""assembly kit, sliding bush"	1
3	NA	">>>see details on "trip lever + lock lever"	1
4	NA	">>>see details on "assembly kit, ADM adjustment"	1
a	NA	COMPRESSION SPRING	1
b	NA	PUSH ROD	1
c	Z173207-9005	UPPER FOOTREST T RH 80°, MANUAL HEIGHT ADJUSTMENT	1
d	NA	SPRING	1

Legrests, sideways mounted - Assembly kit, ADM hangers

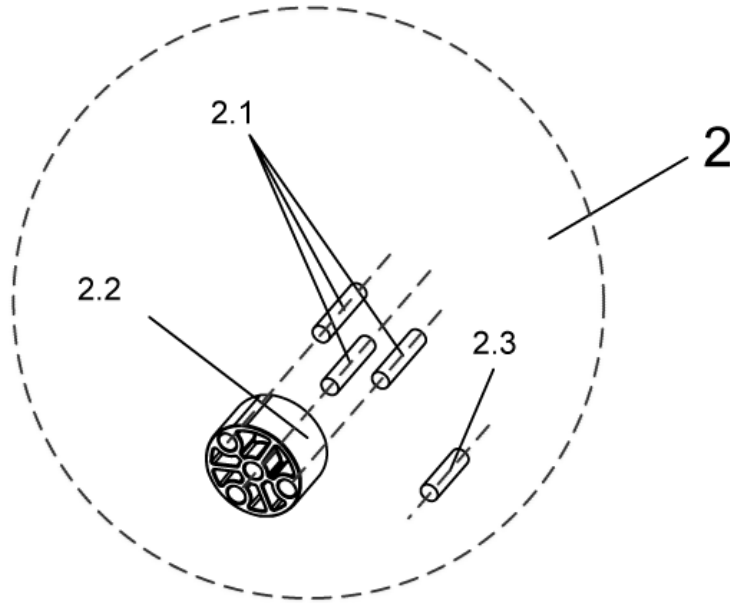
1449410_1.dwg



item	ordercode	description	quantity
1	1485604	Assembly kit, ADM hangers	1
1.1	NA	NYLOC NUT M5	3
1.2	NA	ADP-PLATE	1
1.3	1450448	Knee cushion, RH	1
1.4	NA	SOCKET HEAD CAP SCREW M5 X 25	3
1.5	NA	SOCKET HEAD CAP SCREW M8 X 40	2
1.6	NA	Hanger, RH	1
1.7	NA	Hanger, LH	1
1.8	NA	NYLOC NUT M8	2
1.9	1450410	Knee cushion, LH	1

Legrests, sideways mounted - Assembly kit, ADM sliding bush

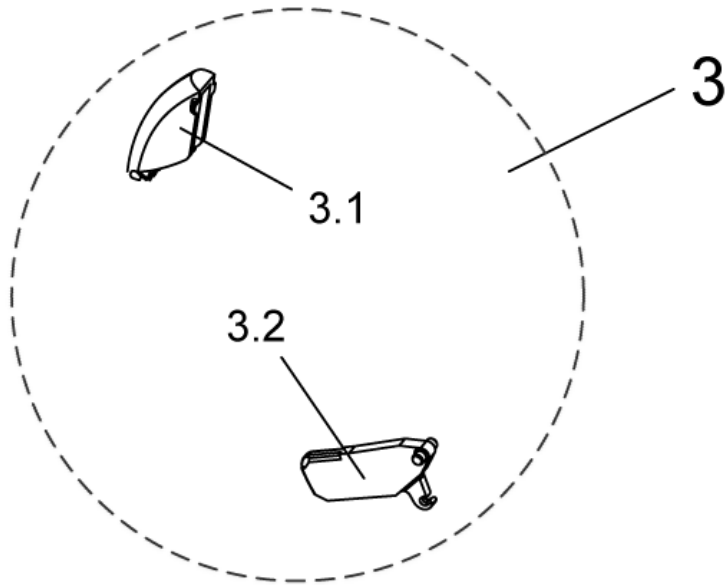
1449410_2.dwg



item	ordercode	description	quantity
2	1485605	Assembly kit, ADM sliding bush	1
2.1	NA	DOWEL RD. 8 X 36, DIN-7	3
2.2	NA	SLIDING BUSH	1
2.3	NA	DOWEL RD. 8 X 30, DIN-7	1

Legrests, sideways mounted - Assembly kit, Trip lever + lock lever

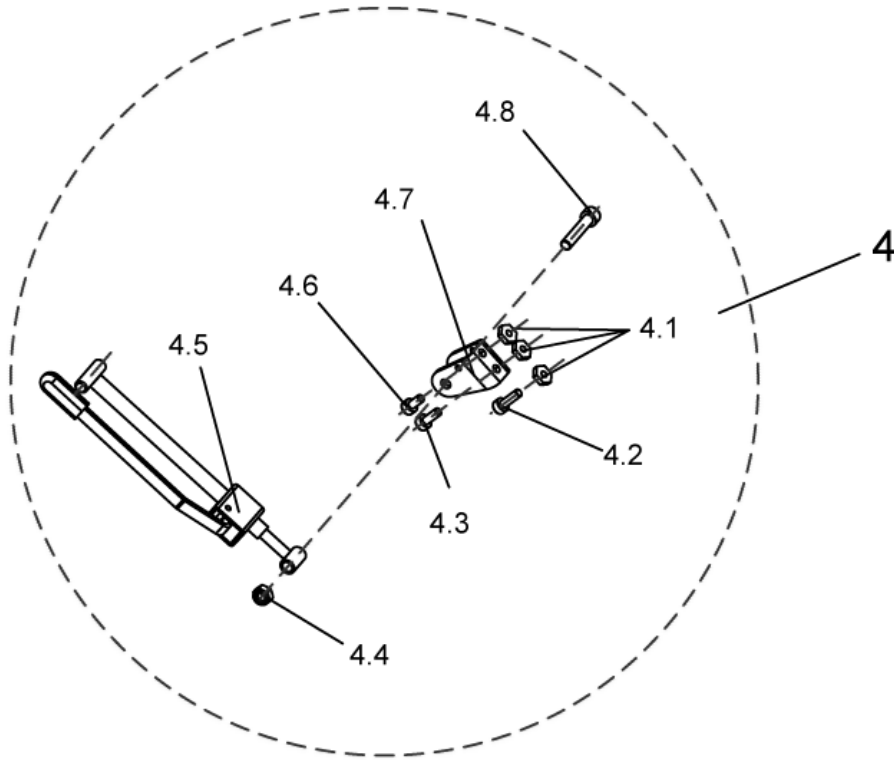
1449410_3.dwg



item	ordercode	description	quantity
3	1449155	Trip lever + lock lever	1
3.1	NA	Trip lever	1
3.2	NA	Lock lever	1

Legrests, sideways mounted - Assembly kit, ADM adjustment

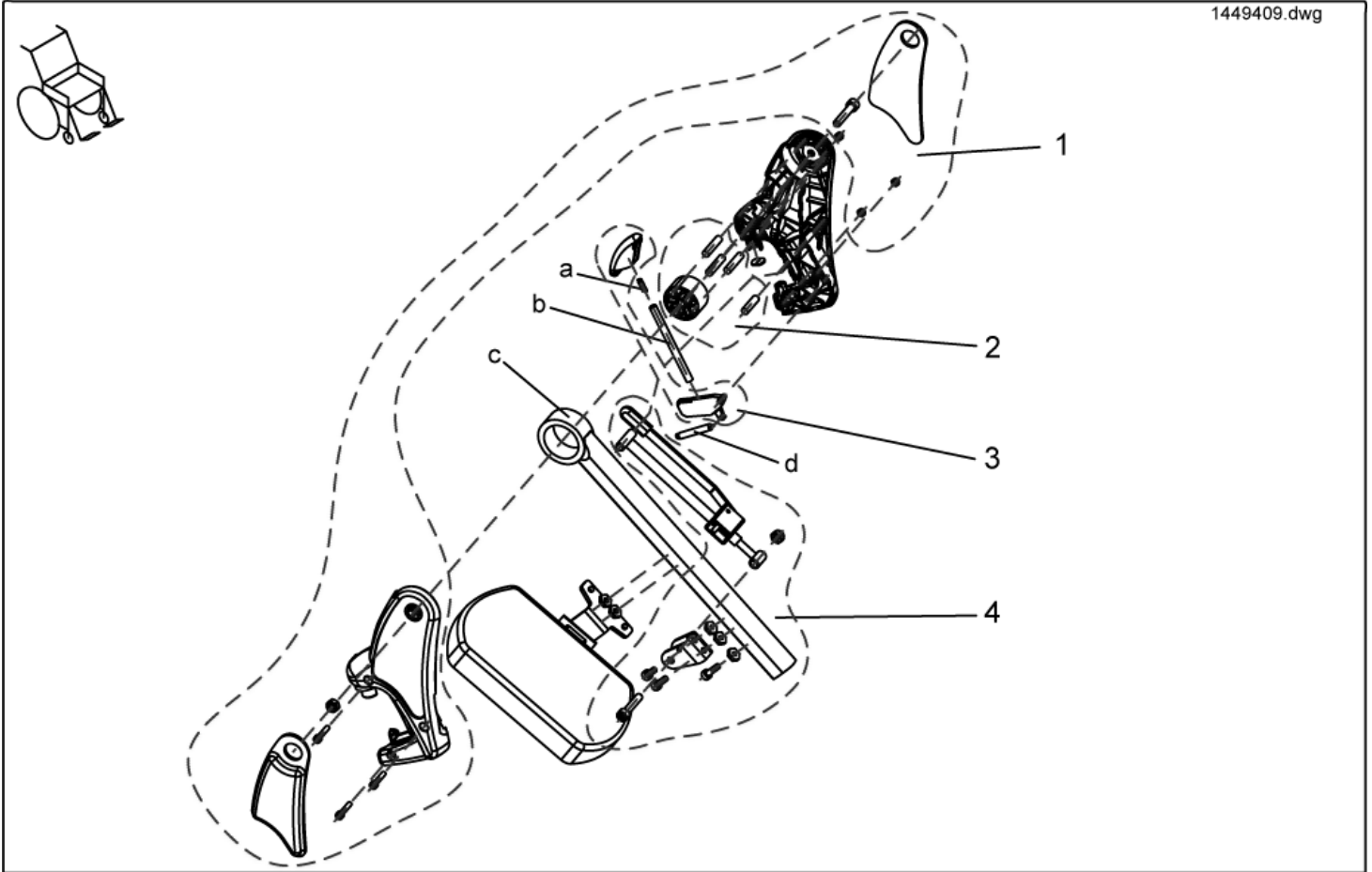
1449410_4.dwg



item	ordercode	description	quantity
4	1485606	Assembly kit, ADM adjustment	1
4.1	NA	NUT M6 SW-14	3
4.2	NA	SOCKET HEAD CAP SCREW M6 X 20	1
4.3	NA	SOCKET HEAD CAP SCREW M6 X 16	1
4.4	NA	NYLOC NUT M8	2
4.5	NA	ADM ADJUSTMENT MECHANISM CPL.	1
4.6	NA	SOCKET HEAD CAP SCREW M6 X 12	1
4.7	NA	ACTUATOR MOUNT	1
4.8	NA	SOCKET HEAD CAP SCREW M8 X 40	2

Legrests, sideways mounted - Complete upper ADM, left

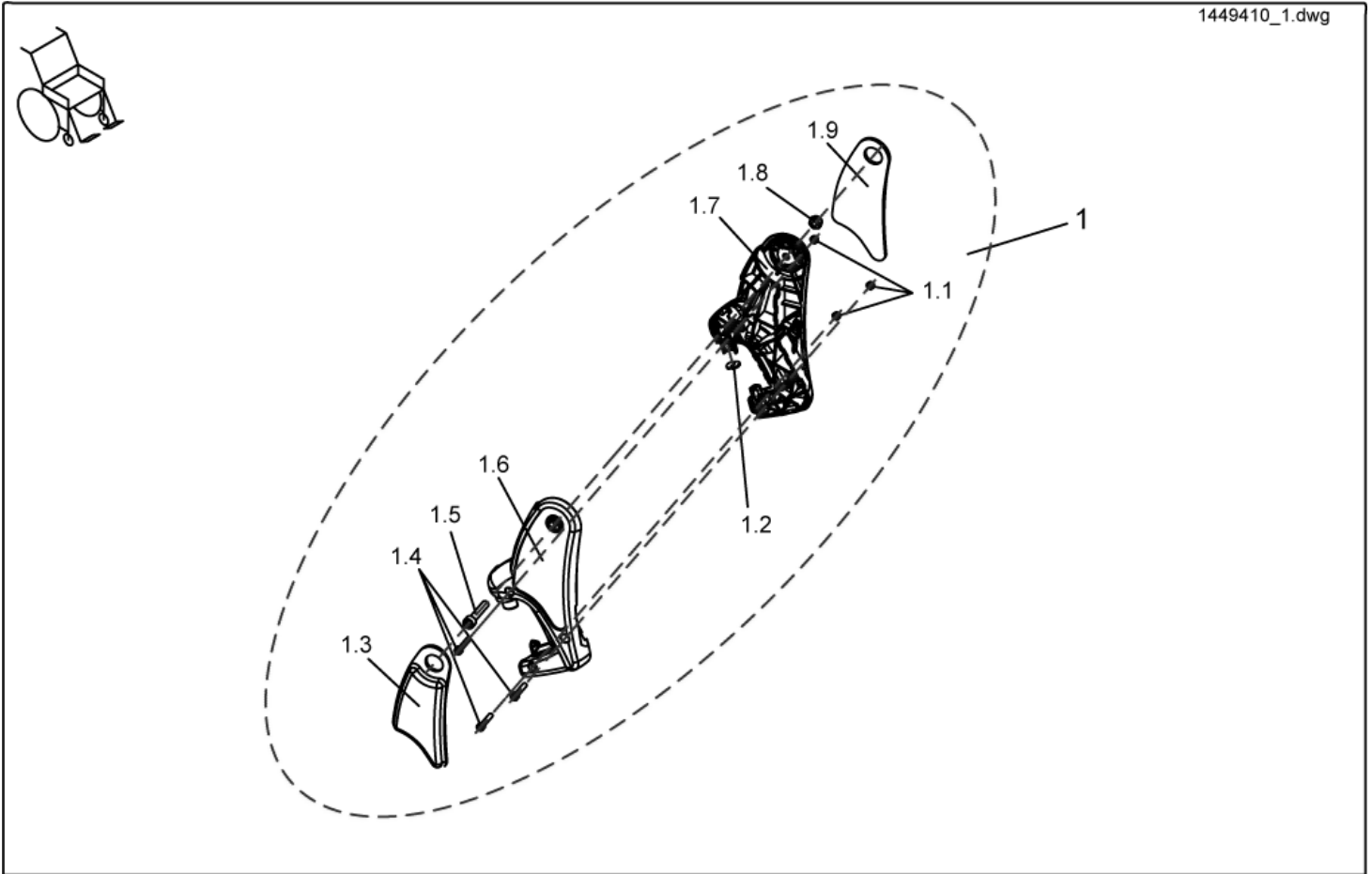
1449409.dwg



item	ordercode	description	quantity
-	SP1449409	Complete upper ADM, LH	1
1	NA	">>>see details on ""assembly kit, hangers"" "	
2	NA	">>>see details on ""assembly kit, sliding bush"" "	
3	NA	">>>see details on trip lever + lock lever """"	
4	NA	">>>see details on ""assembly kit, ADM adjustment""""	
a	N12196	COMPRESSION SPRING	1
b	Z174113.99	BARRE DE FERMETURE	1
c	NA	UPPER FOOTREST T RH 80°, MANUAL HEIGHT ADJUSTMENT	1
d	Z173178	SPRING	1

Legrests, sideways mounted - Assembly kit, ADM hangers

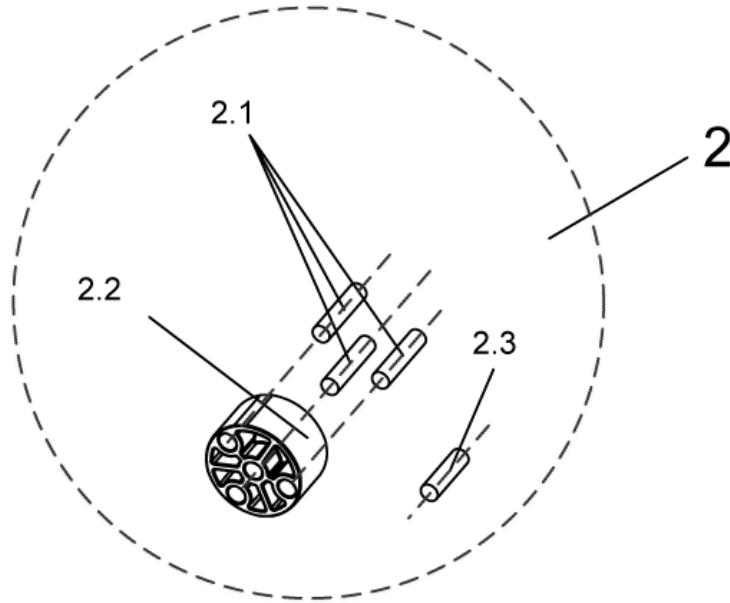
1449410_1.dwg



item	ordercode	description	quantity
1	1485604	Assembly kit, ADM hangers	1
1.1	NA	NYLOC NUT M5	3
1.2	NA	ADP-PLATE	1
1.3	1450448	Knee cushion, RH	1
1.4	NA	SOCKET HEAD CAP SCREW M5 X 25	3
1.5	NA	SOCKET HEAD CAP SCREW M8 X 40	2
1.6	NA	Hanger, RH	1
1.7	NA	Hanger, LH	1
1.8	NA	NYLOC NUT M8	2
1.9	1450410	Knee cushion, LH	1

Legrests, sideways mounted - Assembly kit, ADM sliding bush

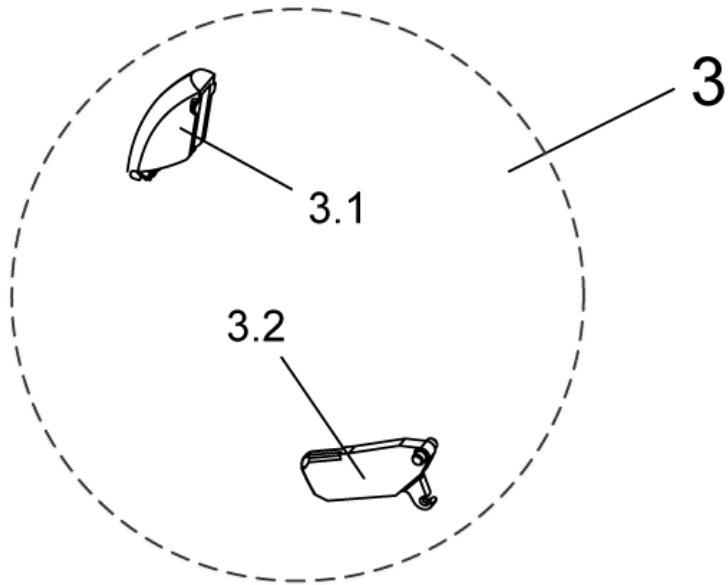
1449410_2.dwg



item	ordercode	description	quantity
2	1485605	Assembly kit, ADM sliding bush	1
2.1	NA	DOWEL RD. 8 X 36, DIN-7	3
2.2	NA	SLIDING BUSH	1
2.3	NA	DOWEL RD. 8 X 30, DIN-7	1

Legrests, sideways mounted - Assembly kit, Trip lever + lock lever

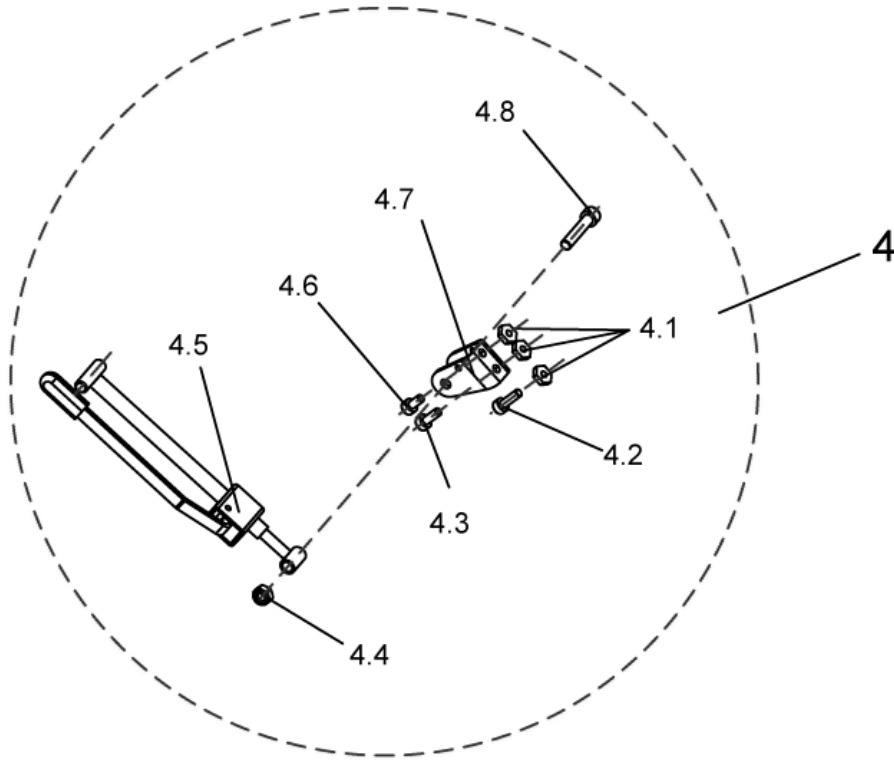
1449410_3.dwg



item	ordercode	description	quantity
3	1449155	Trip lever + lock lever	1
3.1	NA	Trip lever	1
3.2	NA	Lock lever	1

Legrests, sideways mounted - Assembly kit, ADM adjustment

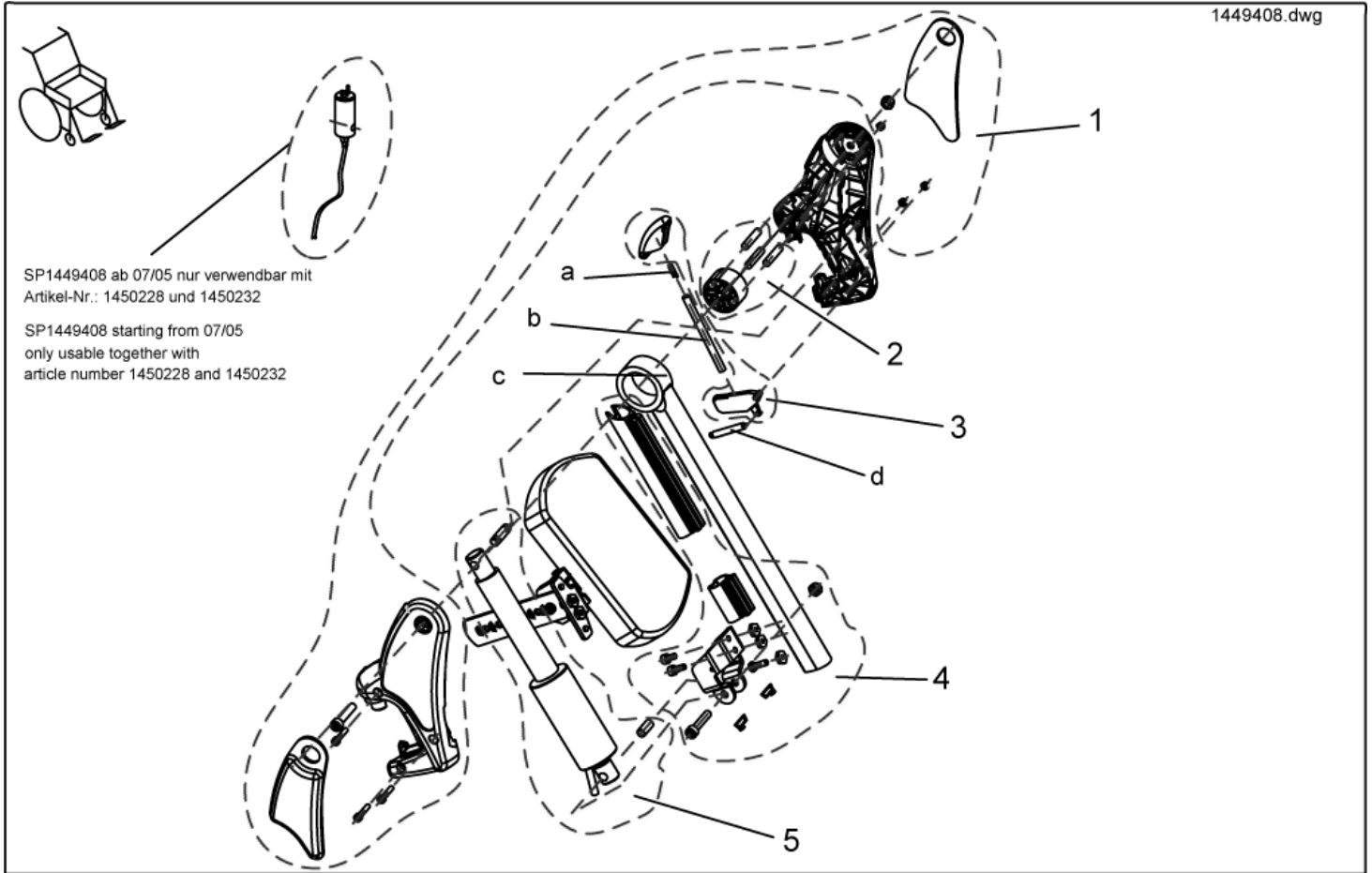
1449410_4.dwg



item	ordercode	description	quantity
4	1485606	Assembly kit, ADM adjustment	1
4.1	NA	NUT M6 SW-14	
4.2	NA	SOCKET HEAD CAP SCREW M6 X 20	1
4.3	NA	SOCKET HEAD CAP SCREW M6 X 16	1
4.4	NA	NYLOC NUT M8	2
4.5	NA	ADM ADJUSTMENT MECHANISM CPL.	
4.6	NA	SOCKET HEAD CAP SCREW M6 X 12	
4.7	NA	ACTUATOR MOUNT	
4.8	NA	SOCKET HEAD CAP SCREW M8 X 40	2

Legrests, sideways mounted - Upper ADP, right

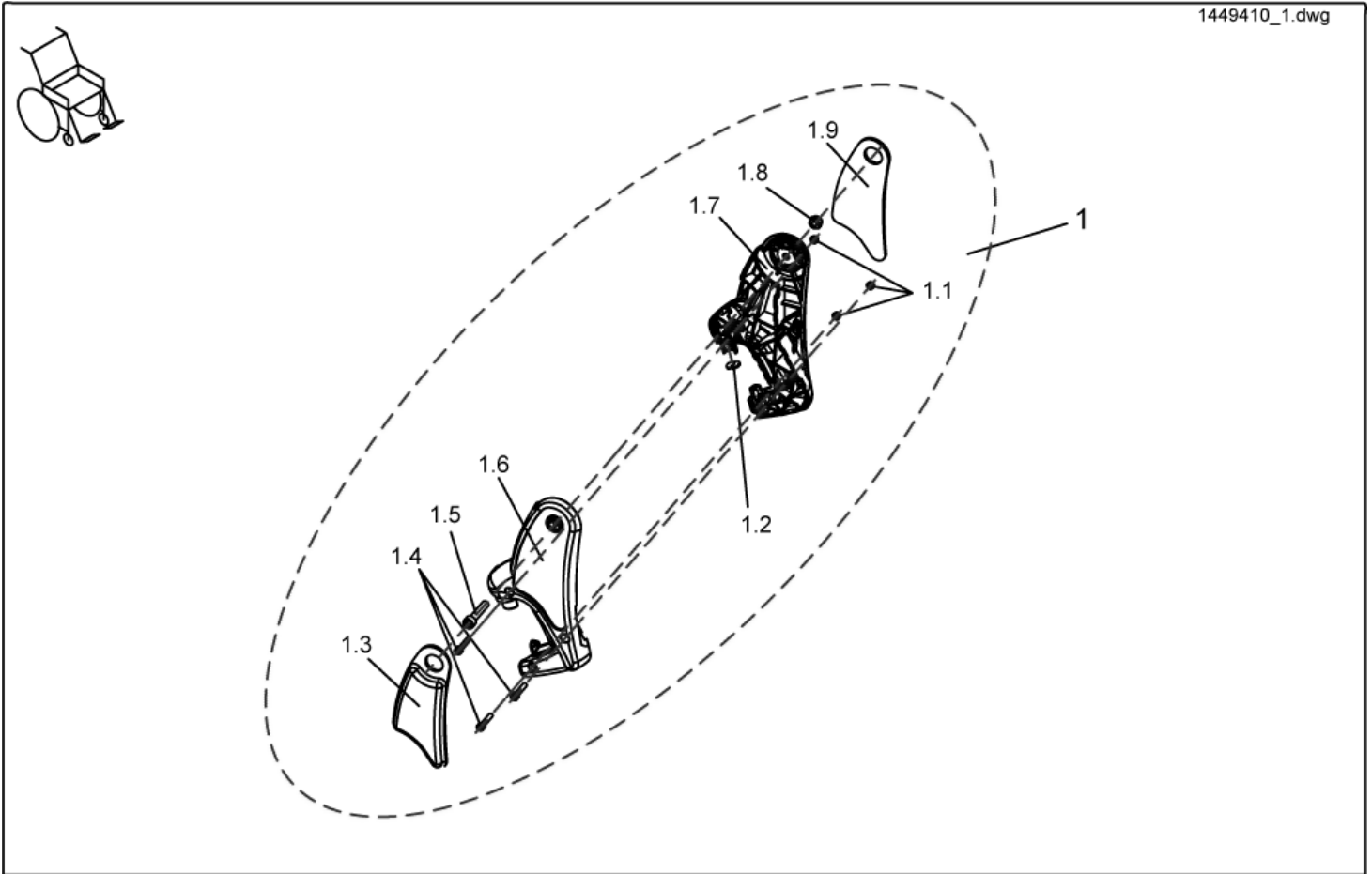
1449408.dwg



item	ordercode	description	quantity
-	SP1449408	Upper ADP, RH	1
1	NA	">>see details on "assembly kit, hangers"	1
2	NA	">>see details on "assembly kit ADP, sliding bush"	1
3	NA	">>>see details on "assembly kit ADP, release button + lock lever"	1
4	NA	">>>see details on "assembly kit ADP, actuator bracket"	1
5	NA	">>>see details on "assembly kit ADP, hoist motor"	1
a	N12196	COMPRESSION SPRING	1
b	Z174113.99	PUSH ROD	1
c	NA	UPPER FOOTREST, ADP	1
d	Z173178	SPRING	1

Legrests, sideways mounted - Assembly kit, ADM hangers

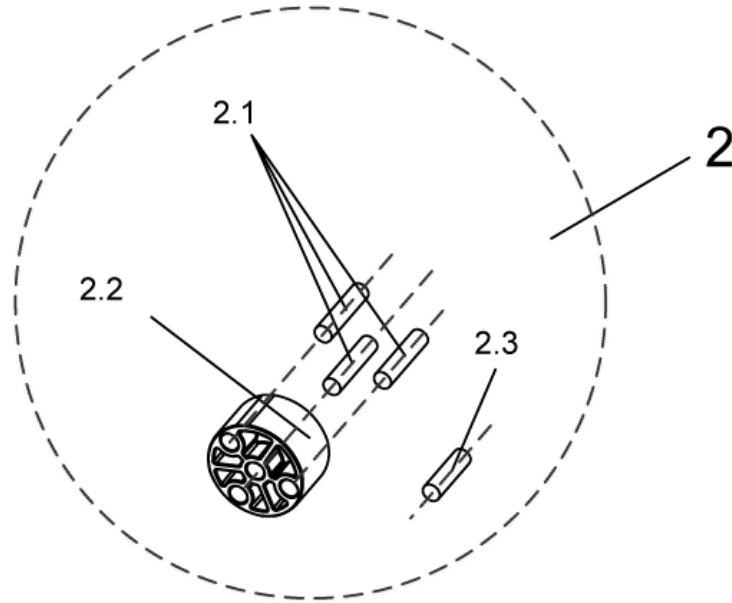
1449410_1.dwg



item	ordercode	description	quantity
1	1485604	Assembly kit, ADM hangers	1
1.1	NA	NYLOC NUT M5	3
1.2	NA	ADP-PLATE	1
1.3	1450448	Knee cushion, RH	1
1.4	NA	SOCKET HEAD CAP SCREW M5 X 25	3
1.5	NA	SOCKET HEAD CAP SCREW M8 X 40	2
1.6	NA	Hanger, RH	1
1.7	NA	Hanger, LH	1
1.8	NA	NYLOC NUT M8	2
1.9	1450410	Knee cushion, LH	1

Legrests, sideways mounted - Assembly kit, ADM sliding bush

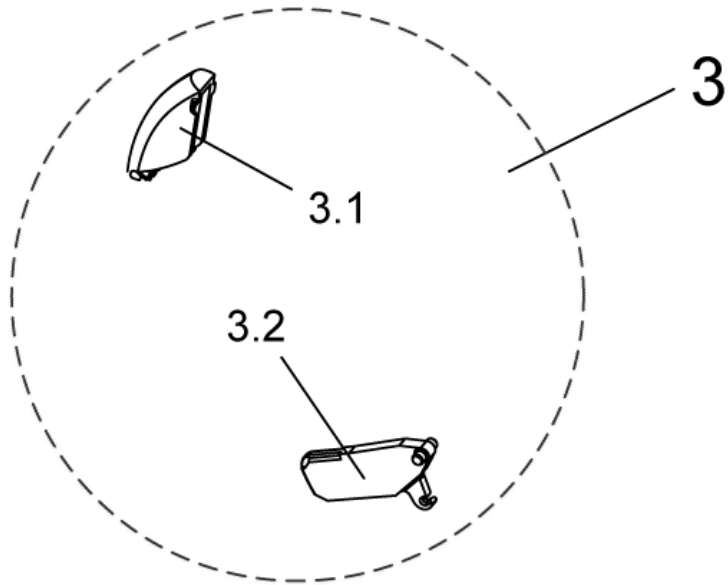
1449410_2.dwg



item	ordercode	description	quantity
2	1485605	Assembly kit, ADM sliding bush	1
2.1	NA	DOWEL RD. 8 X 36, DIN-7	3
2.2	NA	SLIDING BUSH	1
2.3	NA	DOWEL RD. 8 X 30, DIN-7	1

Legrests, sideways mounted - Assembly kit, Trip lever + lock lever

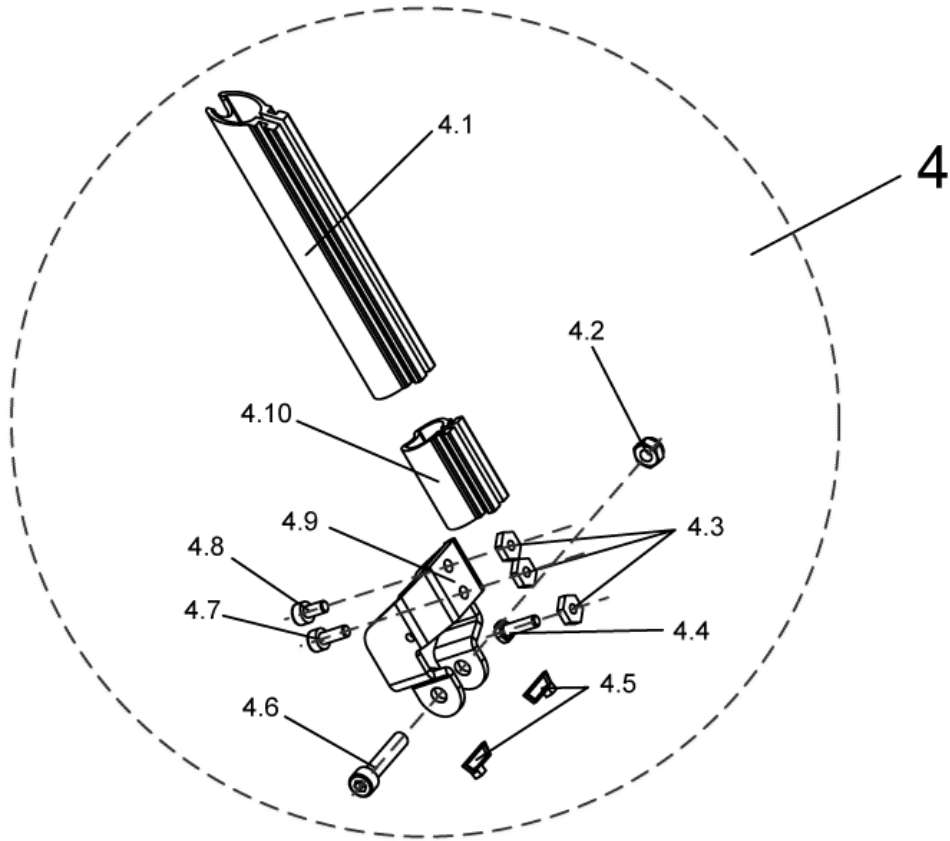
1449410_3.dwg



item	ordercode	description	quantity
3	1449167	Trip lever + lock lever	1
3.1	NA	Trip lever	1
3.2	NA	Lock lever	1

Legrests, sideways mounted - Assembly kit ADP, actuator bracket

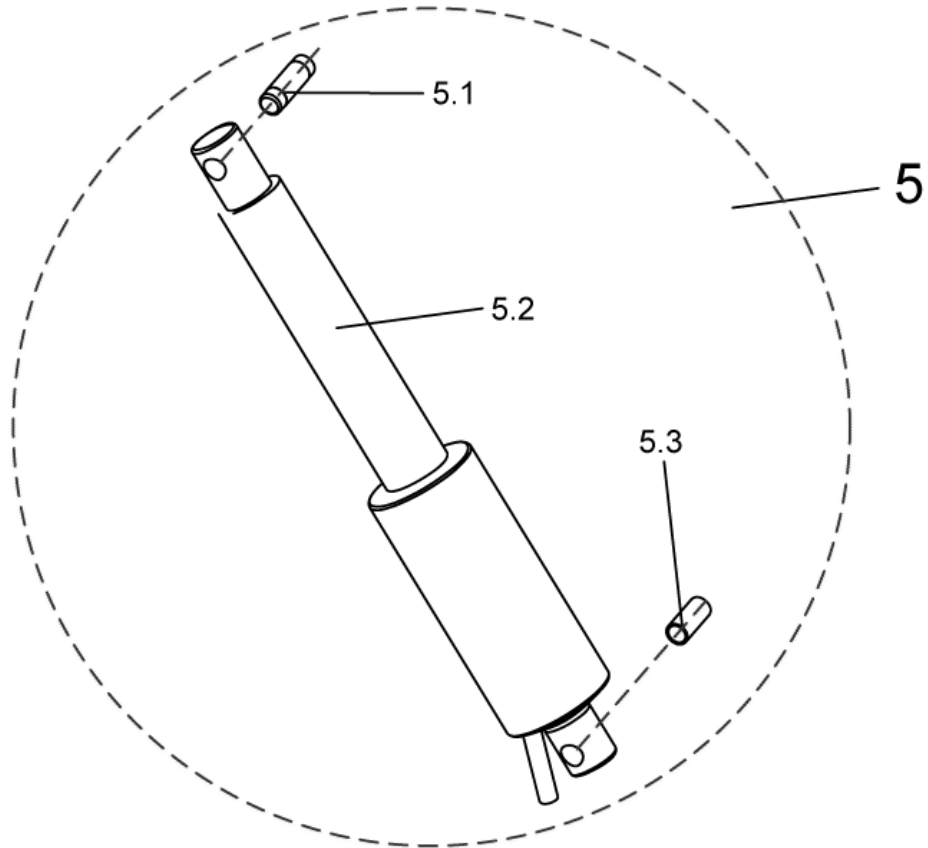
1449408_1.dwg



item	ordercode	description	quantity
4	1450607	Assembly kit ADP, actuator bracket	1
4.1	NA	UPPER GUARD	1
4.2	NA	NYLOC NUT M8	2
4.3	NA	NUT M6 SW-14	3
4.4	NA	HEX HEAD SCREW M6 X 20	1
4.5	NA	CABLE STRAP L=99 MM (SHORT), BLACK	1
4.6	NA	SOCKET HEAD CAP SCREW M8 X 40	2
4.7	NA	SOCKET HEAD CAP SCREW M6 X 16	1
4.8	NA	SOCKET HEAD CAP SCREW M6 X 12	1
4.9	NA	Actuator holding plate	1
4.10	NA	LOWER GUARD	1

Legrests, sideways mounted - Assembly kit ADP, hoist motor

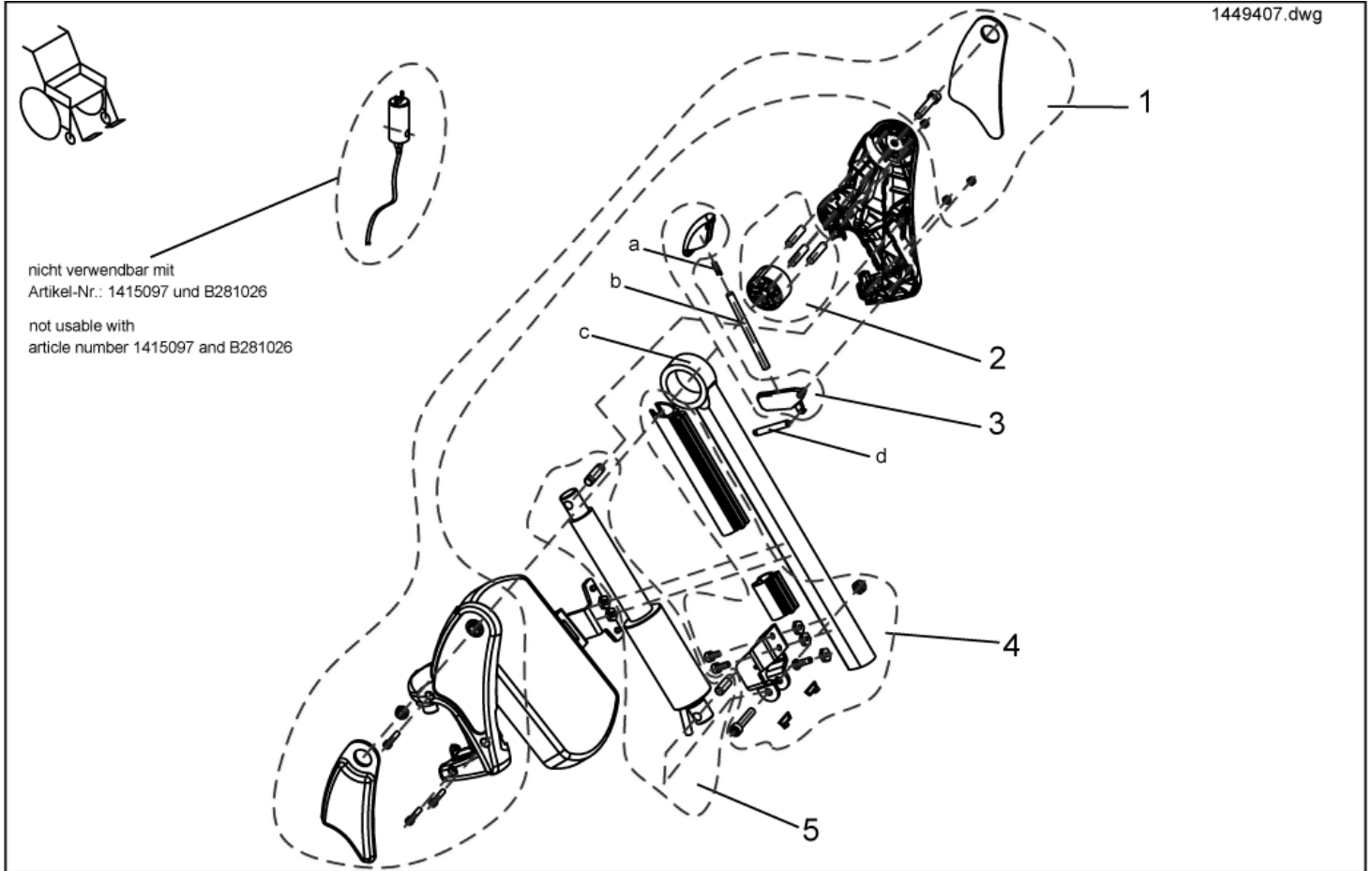
1449408_2.dwg



item	ordercode	description	quantity
5	1450606	Assembly kit ADP, hoist motor	1
5.1	Z174137.99	PIVOT BUSH	1
5.2	Z151006	ACTUATOR ASSY	1
5.3	4000665-0002	SPACER BUSH 10X1X22,5	1

Legrests, sideways mounted - Upper ADP, left

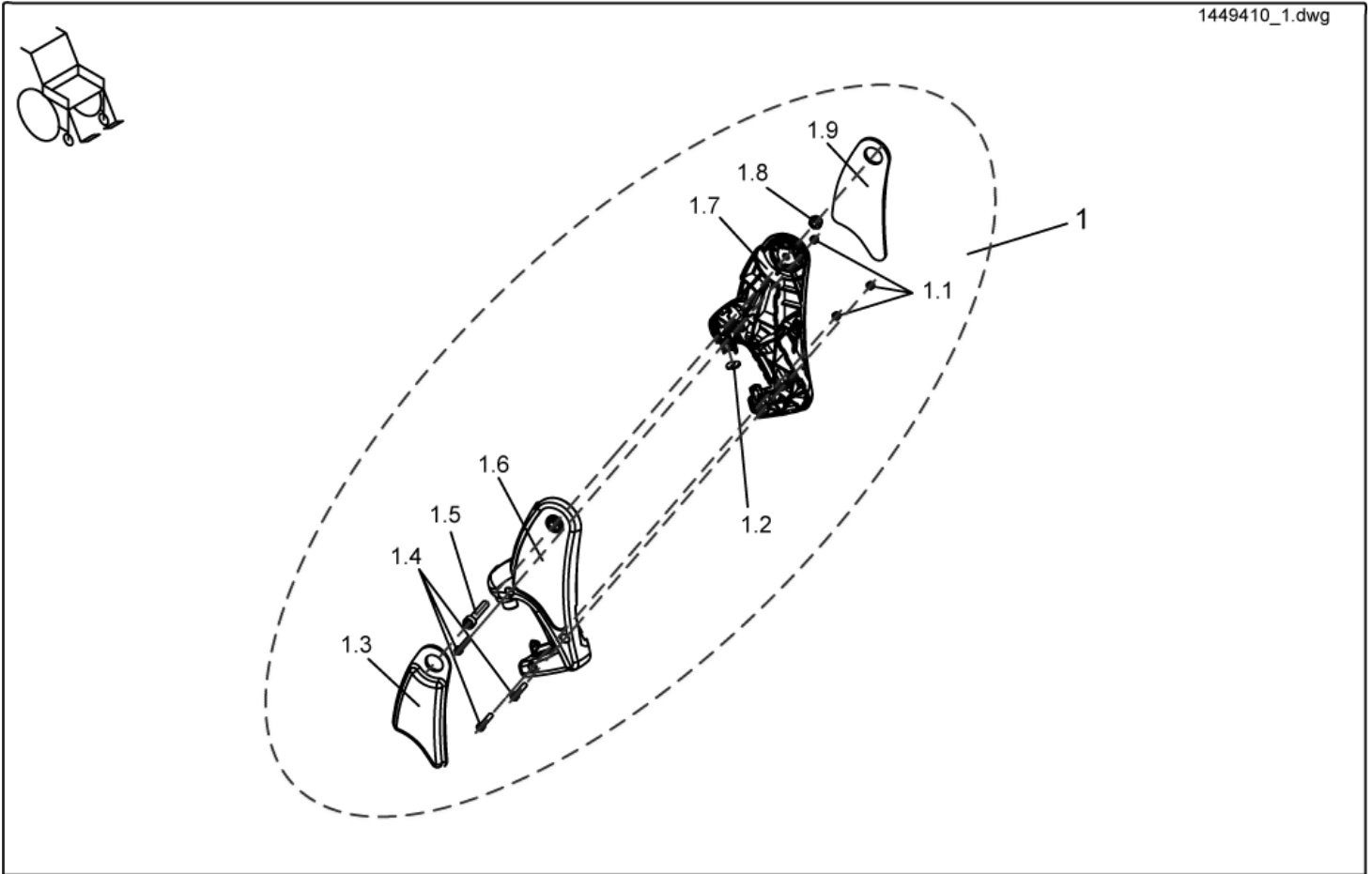
1449407.dwg



item	ordercode	description	quantity
-	SP1449407	Upper ADP LH	1
1	NA	">>>see details on "assembly kit, hangers"	1
2	NA	">>>see details on "assembly kit ADP, sliding bush"	1
3	NA	">>>see details on "assembly kit ADP, trip lever + lock lever"	1
4	NA	">>>see details on "assembly kit ADP, actuator bracket"	1
5	NA	">>>see details on "assembly kit ADP, hoist motor"	1
a	1450410	Knee cushion, LH	1
b	Z174113.99	PUSH ROD	1
c	NA	UPPER FOOTREST, ADP	1
d	Z173178	TENSION SPRING	1

Legrests, sideways mounted - Assembly kit, ADM hangers

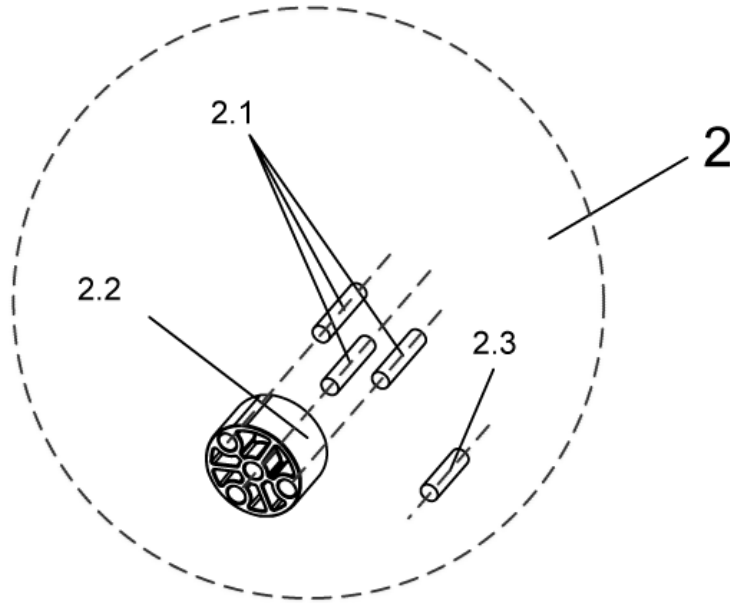
1449410_1.dwg



item	ordercode	description	quantity
1	1485604	Assembly kit, ADM hangers	1
1.1	NA	NYLOC NUT M5	3
1.2	NA	ADP-PLATE	1
1.3	1450448	Knee cushion, RH	1
1.4	NA	SOCKET HEAD CAP SCREW M5 X 25	3
1.5	NA	SOCKET HEAD CAP SCREW M8 X 40	2
1.6	NA	Hanger, RH	1
1.7	NA	Hanger, LH	1
1.8	NA	NYLOC NUT M8	2
1.9	1450410	Knee cushion, LH	1

Legrests, sideways mounted - Assembly kit, ADM sliding bush

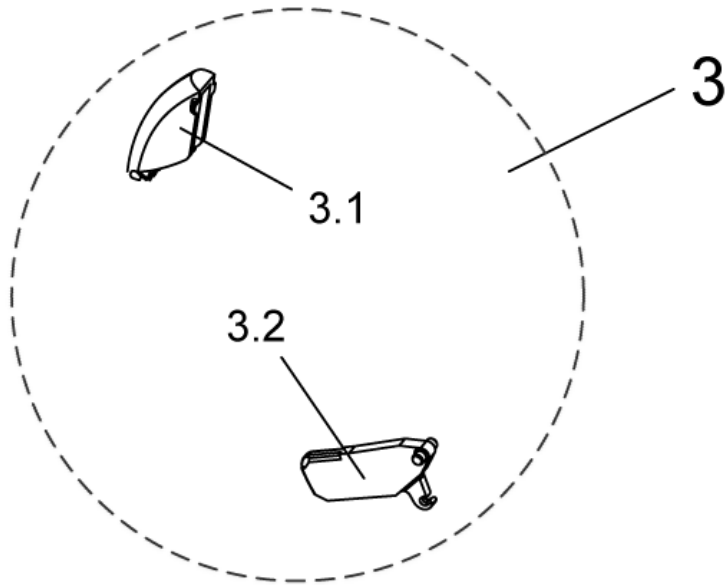
1449410_2.dwg



item	ordercode	description	quantity
2	1485605	Assembly kit, ADM sliding bush	1
2.1	NA	DOWEL RD. 8 X 36, DIN-7	3
2.2	NA	SLIDING BUSH	1
2.3	NA	DOWEL RD. 8 X 30, DIN-7	1

Legrests, sideways mounted - Assembly kit, Trip lever + lock lever

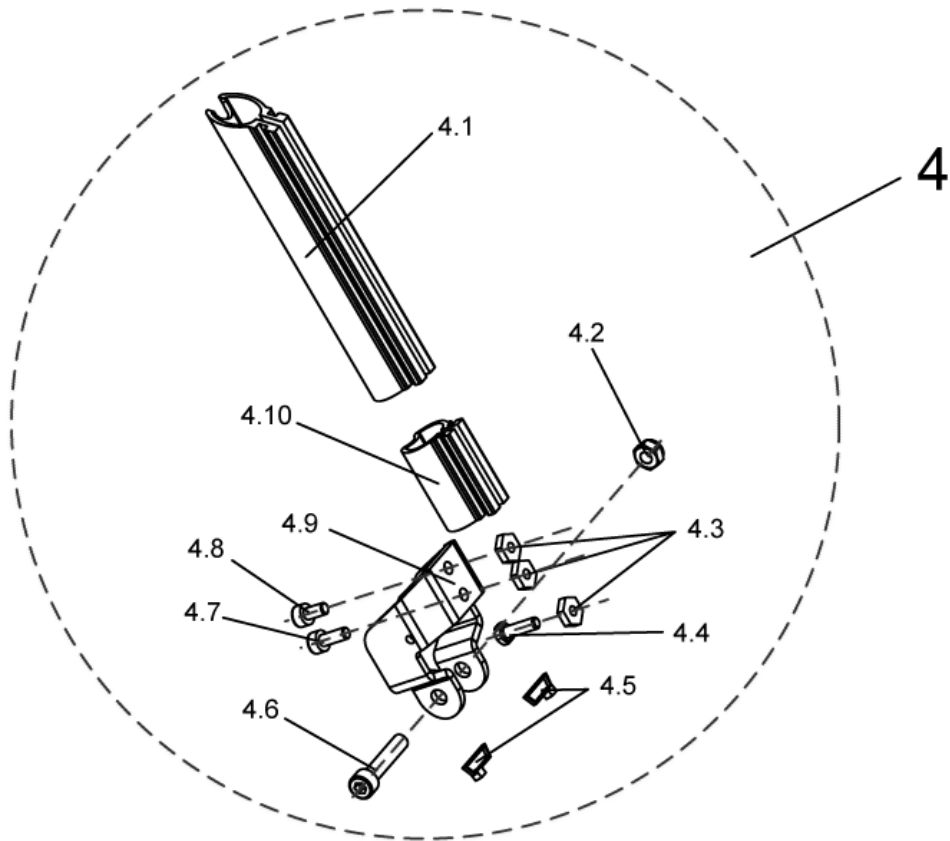
1449410_3.dwg



item	ordercode	description	quantity
3	1449167	Trip lever + lock lever	1
3.1	NA	Trip lever	1
3.2	NA	Lock lever	1

Legrests, sideways mounted - Assembly kit ADP, actuator bracket

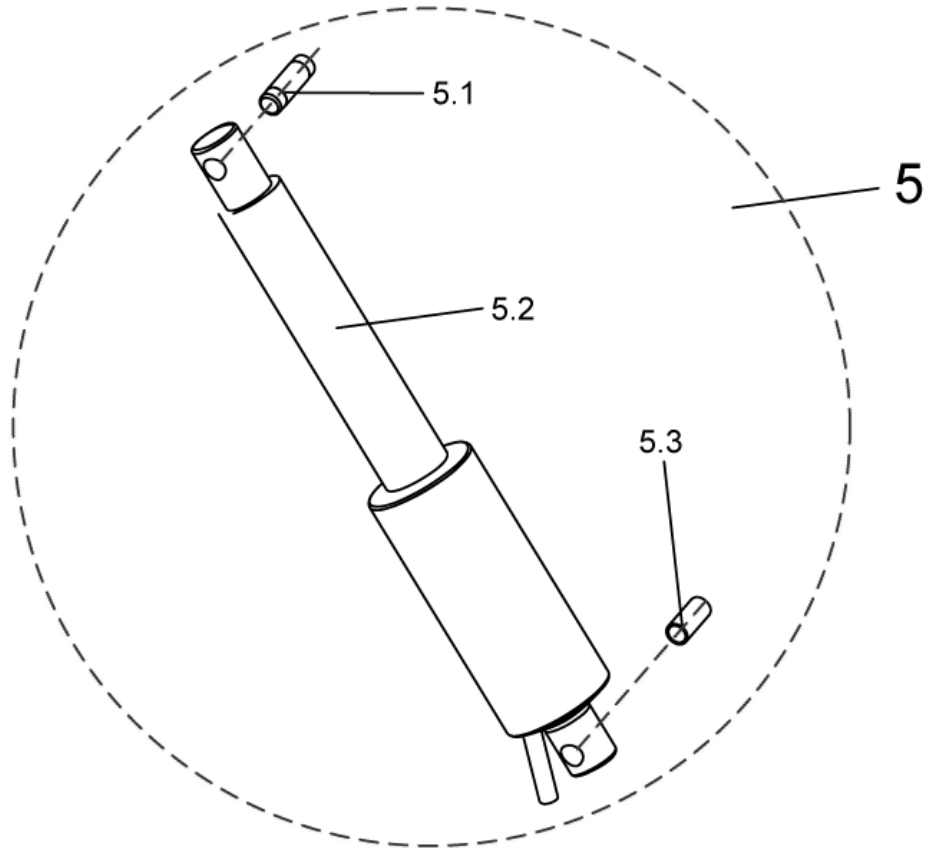
1449408_1.dwg



item	ordercode	description	quantity
4	1450607	Assembly kit ADP, actuator bracket	1
4.1	NA	UPPER GUARD	1
4.2	NA	NYLOC NUT M8	2
4.3	NA	NUT M6 SW-14	3
4.4	NA	HEX HEAD SCREW M6 X 20	1
4.5	NA	CABLE STRAP L=99 MM (SHORT), BLACK	1
4.6	NA	SOCKET HEAD CAP SCREW M8 X 40	2
4.8	NA	SOCKET HEAD CAP SCREW M6 X 12	1
4.7	NA	SOCKET HEAD CAP SCREW M6 X 16	1
4.9	NA	Actuator holding plate	1
4.10	NA	LOWER GUARD	1

Legrests, sideways mounted - Assembly kit ADP, hoist motor

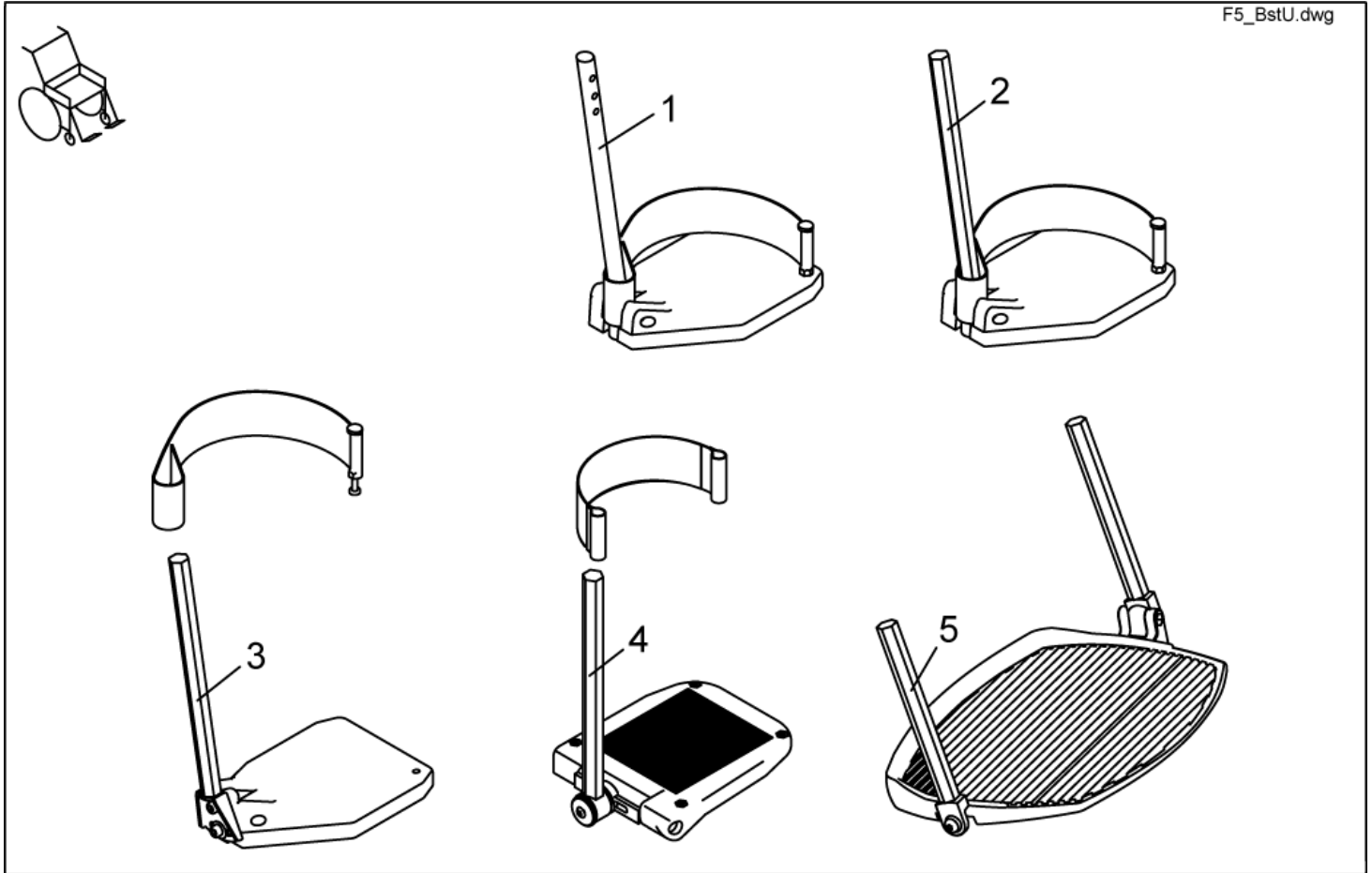
1449408_2.dwg



item	ordercode	description	quantity
5	1450606	Assembly kit ADP, hoist motor	1
5.1	Z174137.99	PIVOT BUSH	1
5.2	Z151006	ACTUATOR ASSY	1
5.3	4000665-0002	SPACER BUSH 10X1X22,5	1

Legrests, sideways mounted - Lower Footrests

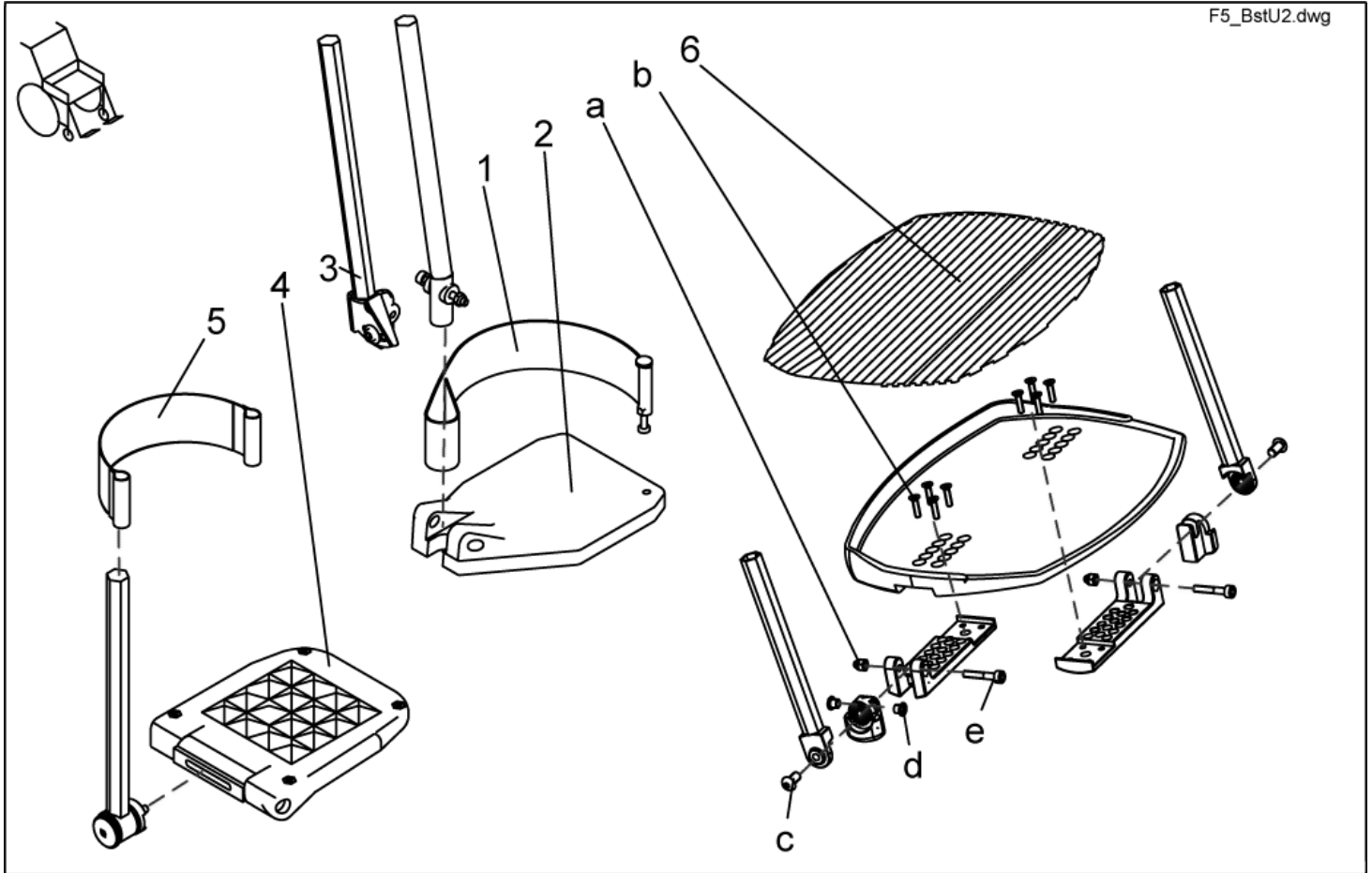
F5_BstU.dwg



item	ordercode	description	quantity
1	B273010	FOOTREST CPL. STD. 80 LH	1
1	B273009	FOOTREST CPL. STD. 80 RH	1
2	SP1421663	LOWER FOOTREST LH, CPL.	1
2	SP1421662	LOWER FOOTREST RH, CPL.	1
3	SP1421665	LOWER FOOTREST, ANGLE ADJUSTMENT LH CPL.	1
3	SP1421664	LOWER FOOTREST, ANGLE ADJUSTMENT RH CPL.	1
4	SP1419344	FOOT PLATE LH ANGLE AND DEPTH ADJUSTMENT CPL.	1
4	SP1419345	FOOT PLATE RH ANGLE AND DEPTH ADJUSTMENT CPL.	1
5	SP1423156	PRE-ASSEMBLED FOOT BOARD	1

Legrests, sideways mounted - Lower Legrests Detailed

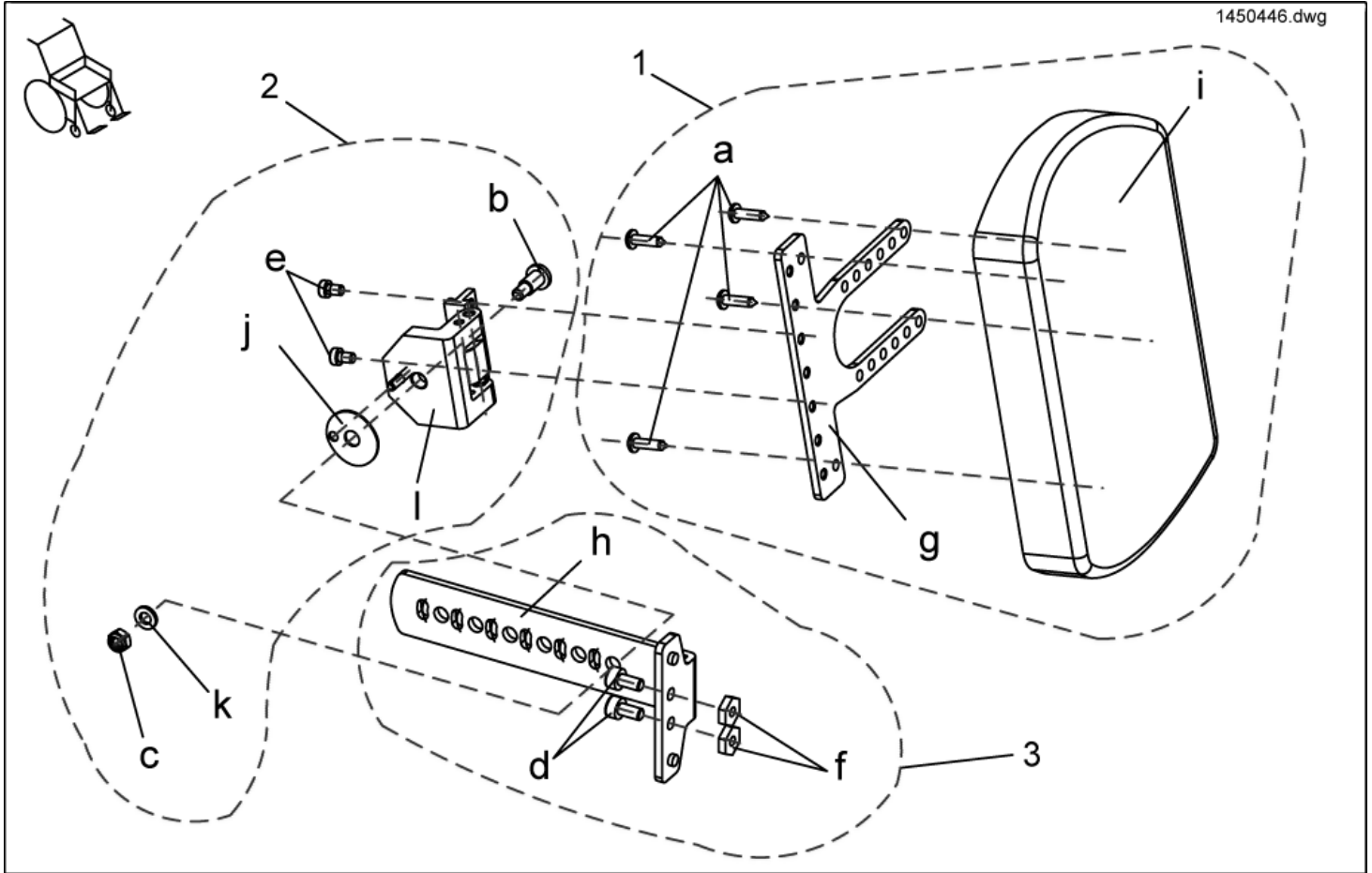
F5_BstU2.dwg



item	ordercode	description	quantity
1	SP1423202	HEEL STRAP CPL.	2
2	Z173217	FOOTPLATE LE; BLACK	1
2	Z173218	FOOTPLATE RH; BLACK	1
3	SP1423204	FOOT PLATE TUBE, ANGLE ADJUSTMENT LH CPL.	1
3	SP1423203	FOOT PLATE TUBE, ANGLE ADJUSTMENT RH CPL.	1
4	5106376	FOOTPLATE ADAPT / SPIREA ANGLE ADJ.	2
5	5321579	HEEL STRAP CPL.	2
6	Z174159	FOOTPLATERUBBER	1
a,b,c,d,e	SP1423444	FOOT BOARD MOUNTING KIT	1
a	NA	DOMED NYLOC NUT M6, SELF-LOCKING	2
b	NA	COUNTERSUNK CROSS HEAD SCREW M5 X 20	8
c	NA	FLAT SOCKET HEAD SCREW M8 X 16 ULS A2	2
d	NA	BUSH BB 0608 DU	2
e	NA	SOCKET HEAD CAP SCREW M6 X 35	2

Legrests, sideways mounted - Calf plate holder, right

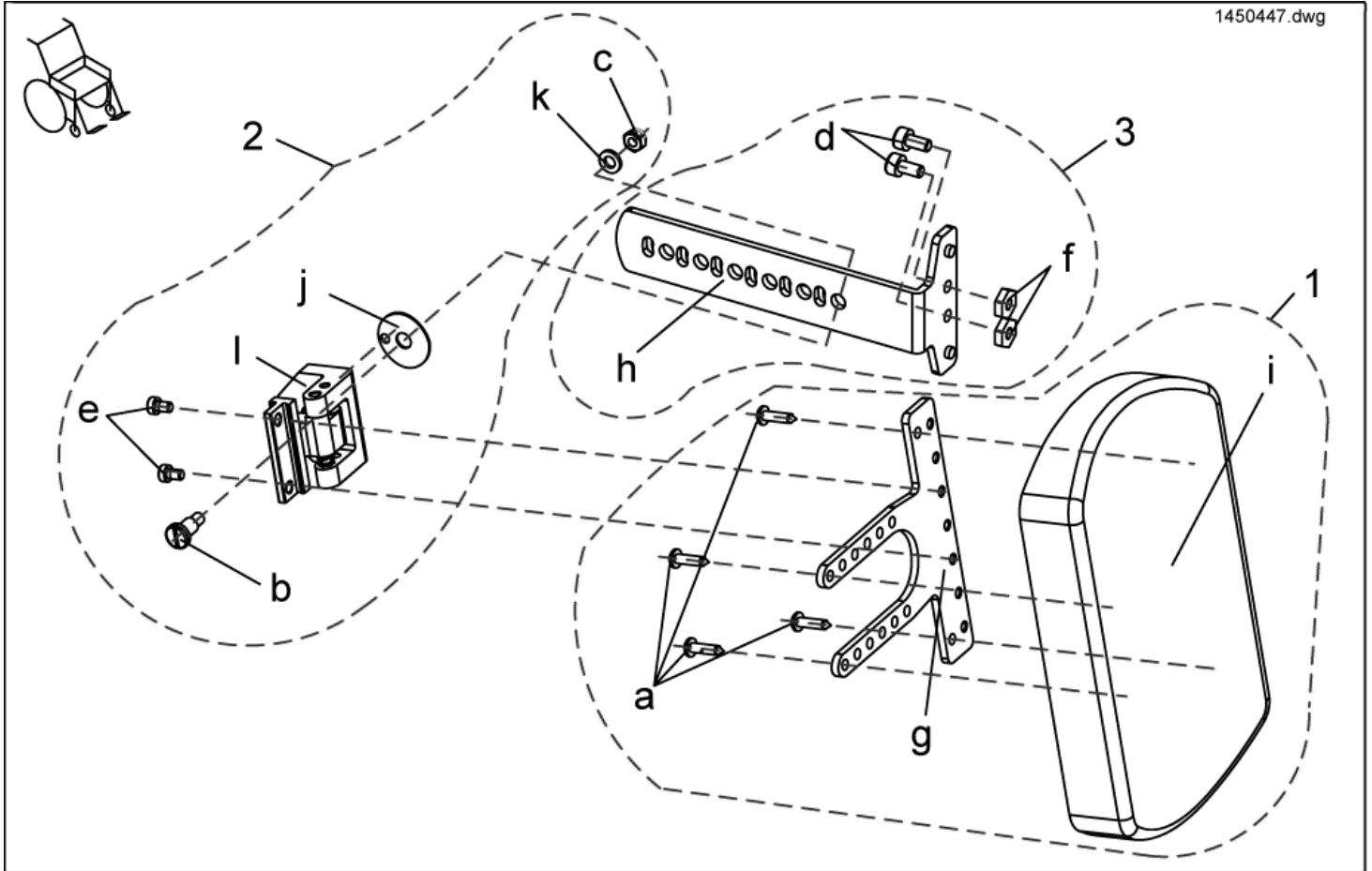
1450446.dwg



item	ordercode	description	quantity
-	SP1450446	CALF PLATE HOLDER RIGHT TURNABLE, COMPLETELY	1
1	SP1449021	ASSEMBLY KIT, CALF PLATE HOLDER	1
2	SP1449022	ASSEMBLY KIT, CALF PLATE HINGE	1
3	SP1449023	ASSEMBLY KIT, CALF PLATE	1
a	NA	DOMED CROSSHEAD SELF TAPPING SCREW 4,8 X 19	4
b	NA	SCREW M6 X 12	1
c	NA	NYLOC NUT M6	1
d	NA	SOCKET HEAD CAP SCREW M6 X 12	2
e	NA	SCREWS DIN 6912-M5x10	2
f	NA	NUT M6 SW-14	2
g	NA	ADAPTER SHEET METAL CALF PLATE TURNABLE / GALVANIZES	1
h	NA	CALF PLATE HOLDER TURNABLE / GALVANIZES	1
i	6301333	CALF PLATE	1
j	NA	SLIP WASHER FOR TURNABLE CALF PLATE	1
k	NA	WASHER 6,4 X 12,5 X 1,6	1
l	NA	CALF PLATE HINGE, RIGHT	1

Legrests, sideways mounted - Calf plate holder, left

1450447.dwg



item	ordercode	description	quantity
-	SP1450447	CALF PLATE HOLDER LEFT TURNABLE, COMPLETELY	1
1	SP1449021	ASSEMBLY KIT, CALF PLATE HOLDER	1
2	SP1449022	ASSEMBLY KIT, CALF PLATE HINGE	1
3	SP1449023	ASSEMBLY KIT, CALF PLATE	1
a	NA	DOMED CROSSHEAD SELF TAPPING SCREW 4,8 X 19	4
b	NA	SCREW M6 X 12	1
c	NA	NYLOC NUT M6	1
d	NA	SOCKET HEAD CAP SCREW M6 X 12	2
e	NA	SCREWS DIN 6912-M5x10	2
f	NA	NUT M6 SW-14	2
g	NA	ADAPTER SHEET METAL CALF PLATE TURNABLE / GALVANIZES	1
h	NA	CALF PLATE HOLDER TURNABLE / GALVANIZES	1
i	6301333	CALF PLATE	1
j	NA	SLIP WASHER FOR TURNABLE CALF PLATE	1
k	NA	WASHER 6,4 X 12,5 X 1,6	1
l	NA	CALF PLATE HINGE, LEFT	1