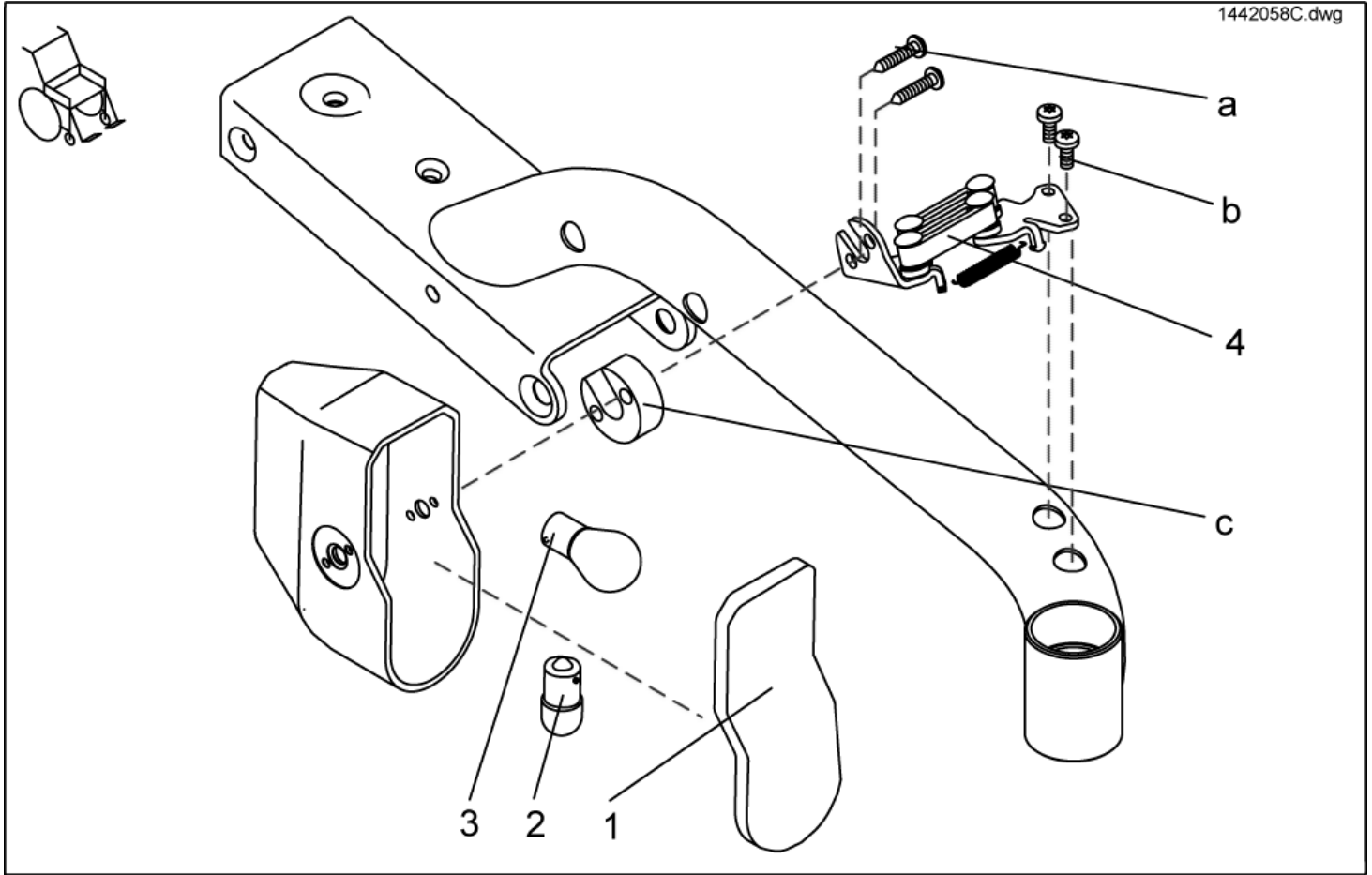


item	ordercode	description	quantity
1	P50016	BATTERY 12V / 70 AH	2
2	1421655	BATTERY STRAP	1
3	P52996	BATTERY TERMINAL COVER	4
4	NA	STRIP FUSE HOLDER WITH FUSE SHARK	1
4	1419369	STRIP FUSE CPL.	1
4	1432561	STRIP FUSE HOLDER M. 80 A FUSE	1
5	1442600	STRIP FUSE 40A (SHARK)	1
5	P12191	FUSE 50 A	1
5	1433734	STRIP FUSE 80A (ONLY TRUE TRACKI)	1
6,7	SP1423696	CHARGER 24V/8A W. CONTINENTAL MAINS CABLE, CPL.	1
6,8	SP1423697	CHARGER 24V/8A W. UK MAINS CABLE, CPL.	1
6	P51981	BATTERY CHARGER 8 A WITH XLR CONNECTION	1
7	P21079	MAINS CABLE GCB-0401 CONTINENTAL; BLACK	1
8	P21080	MAINS CABLE GCB-0403 UK; BLACK	1
9	F384057	BATTERY BOX LINING, BLACK	3
-	1419370	BATTERY CABLE	1
-	1419983	BATTERY CABLE (TÜV VERSION)	1
-	1432560	BATTERY CABLE 70AH (f. GEARLESS MOTORS)	1
-	NA	BATTERY CABLE FOR SHARK WITH LIGHTS	1

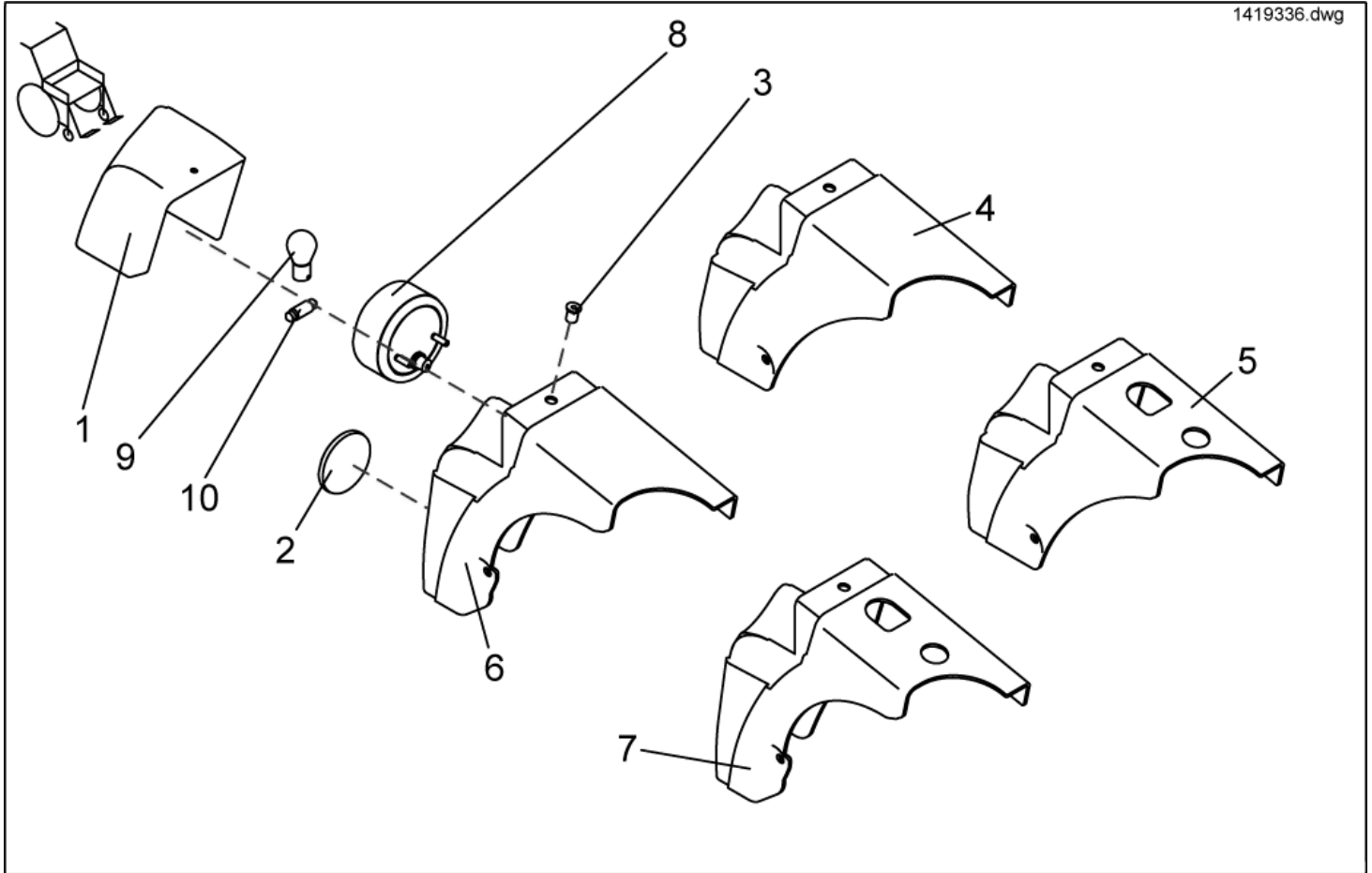
Lighting - Front Lights



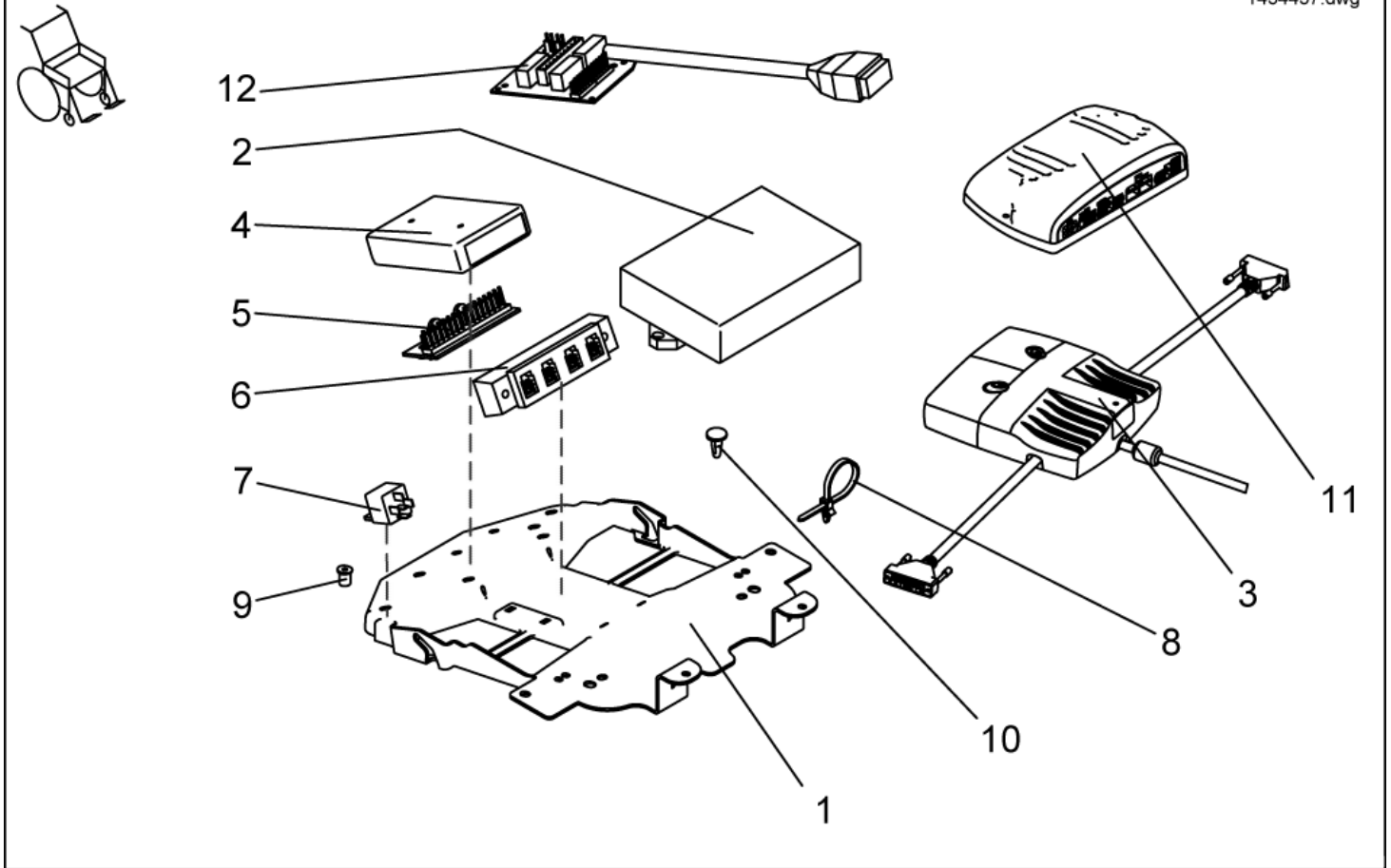
item	ordercode	description	quantity
-	1420413	HEADLAMP LH 24V CPL.	1
-	1420412	HEADLAMP RH 24V CPL.	1
1	1433737	HEADLIGHT LENS	2
2	P31108	LIGHTBULB 24V/10W	2
3	1419271	LIGHTBULB 24V/21W, YELLOW	2
4	1428081	SWIVEL MECHANISM LH	1
4	1428082	SWIVEL MECHANISM RH	1
a,b	1442685	MOUNTING KIT FRONT LIGHT	1
a,b,c	SP1422822	FIXING SET FRONT HEADLIGHT FOR SB AB 43CM	1
a	NA	SELF-TAPPING CROSS HEAD SCREW 4,8 X 16	4
a	NA	BOLT 4,8 X 25 DIN 7981	4
b	NA	BOLT M5 X 12 DIN 7500	4
c	NA	SPACER	2

Lighting - Rear Lights

1419336.dwg



item	ordercode	description	quantity
-	SP1419335	LIGHT SUPPORT WITHOUT LIGHT & LUGGAGE CARRIER CPL.	1
-	SP1419336	LIGHT SUPPORT WITH LIGHT WITHOUT LUGGAGE CARRIER CPL.	1
-	SP1419337	LIGHT SUPPORT WITHOUT LIGHT FOR LUGGAGE CARRIER CPL.	1
-	SP1419338	LIGHT SUPPORT WITH LIGHT FOR LUGGAGE CARRIER CPL.	1
-	SP1433547	LIGHT SUPPORT WITHOUT LIGHT & LUGGAGE CARRIER	1
-	SP1433556	LIGHT SUPPORT WITH LIGHT WITHOUT LUGGAGE CARRIER	1
-	SP1433557	LIGHT SUPPORT WITHOUT LIGHT FOR LUGGAGE CARRIER	1
-	SP1433558	LIGHT SUPPORT WITH LIGHT FOR LUGGAGE CARRIER	1
1	1421738	LAMP CASING, SILVER LH	1
1	1421739	LAMP CASING, SILVER RH	1
1	SP1421738	LAMP CASING, NO LIGHTS	1
1	SP1421739	LAMP CASING, NO LIGHTS	1
1	1419331	Leuchtenverkleidung für Licht, links	1
1	1419332	Leuchtenverkleidung für Licht, rechts	1
2	1419274	REFLECTOR, RED	2, 4
3	1422052	GETO WELL NUT M5	4
4	1419333	REAR LIGHT SUPPORT LH	1
4	1419334	REAR LIGHT SUPPORT RH	1
5	1421815	LIGHT SUPPORT LH WITH LUGGAGE CARRIER CUTOUT	1
5	1421814	LIGHT SUPPORT RH WITH LUGGAGE CARRIER CUTOUT	1
6	1429342	LIGHT SUPPORT LH	1
6	1429343	LIGHT SUPPORT RH	1
7	1430143	LIGHT SUPPORT LH WITH LUGGAGE CARRIER CUTOUT	1
7	1430144	LIGHT SUPPORT RH WITH LUGGAGE CARRIER CUTOUT	1
8	1442736	REAR LIGHT 24V CPL.	2
9	1419271	LIGHTBULB 24V/21W, YELLOW	2
10	P31191	LAMP 24V/5W	2



item	ordercode	description	quantity	note
1	1418528	DEVICE SUPPORT	1	
1	NA	DEVICE SUPPORT SHARK	1	
2	6001423	ACS ELECTRONIC MODULE DX-PMB AS (60A)	1	
2	P10064	ACS POWER MODULE DX-PM2 (80A)	1	
3	1430150	ACS POWER MODUL DX-GB 100A	1	
4	6001825	ACS-LIGHTING MODULE 24 V STD.	1	
4	P10081	ACS-CLAM (LIGHTING/ACTUATOR MODULE COMBINED)	1	
5	1415004	CENTRAL LIGHT DISTRIBUTOR MAINBOARD	1	
6	P10072	ACS-BUS T-ADAPTER (SPLITTER)	1	
7	P11195	RELAY SWITCH 24V/10-20A	0-3	
-	1431755	UPGRADE KIT SEAT ANGLE STABILISOR	1	
-	1440533	ACS ELECTRONIC HOLDER ASSEMBLY KIT	1	
-	NA	COUNTERSUNK CROSS HEAD SCREW M5 X 16	5	
-	NA	COUNTERSUNK CROSS HEAD SCREW M5 X 20	2	
-	NA	CROSS HEAD SCREW M4 X 16	2	
-	SP1423191	ACS ELECTRONIC HOLDER ASSEMBLY KIT	1	
-	NA	GETO WELL NUT M5	8	
-	NA	RIVET	4	
8	1422888	CABLE BINDER 5,0x225 SCHWARZ	4	
9	1432557	GETO WELL NUT M4	2	
9	1422052	GETO WELL NUT M5	7	
10	1426351	NYLON MOULDED CRAMP	2	
11	1433332	SHARK-ELECTRONIC DK-PMA1	1	
12	1450233	Combined Lighting Actuator Board (only NL)	1	07.2005 --->

Cables

ACS-Buscables

length	ordercode
mm	
300	GSM63003
400	GSM63004
700	GSM63007
1100	GSM63011
1600	GSM63016
1900	1419386
2000	GSM63020
2600	GSM63026
2900	1423209
2950	1419367
spiral	GSM9887

CLAM-Cables (LIGHTING/ACTUATOR MODULE COMBINED)

lights	el. legrests	el. Tilt Adjustment	el. Lift Adjustment	el. Backrest Adjustment	ordercode
X	X	X	X	X	1419390
X	X	X	-	-	1421730
X	X	X	-	X	1421729
X	X	X	X	-	1421728
24V	-	-	-	-	1419379
24V	X	X	X	X	1449432

Battery Cables

voltage	with fuse	ordercode
V		
24	-	1419370
12, 24	50A	1419369
24 (True Track)	-	1432560
24 (True Track)	80A	1432561
24 (Shark)	-	1446573
24 (Shark)	40A	1446574