

.....

Spare Part List - INVACARE® Storm³



Table of Contents - INVACARE Storm³

.....	1
Warnings/ Information	5
Storm ³	6
Dataplate	6
Chassis.....	7
Crash Kit	8
Shrouds	10
Wheel Suspension/ Wheels	11
Front Wheels	13
Driving Wheels	14
Rear Wheels True Track	16
Driving unit	17
Brake	19
Decoupling	20
Electric Support	21
Lighting	22
Front Lights	22
Rear Lights	23
Electronic.....	24
Cables	25
ACS-Buscables	25
CLAM-Cables (LIGHTING/ACTUATOR MODULE COMBINED).....	25
Battery Cables.....	25
Legrests, sideways mounted.....	26
Footrest receptacle	26
Footrest receptacle complete, manual 8cm	27
Footrest receptacle cpl., electric 8cm.....	28
Footrest receptacle, complete, manual 5cm	29
Footrest receptacle, cpl., electric 5cm.....	30
Hanger	31
Vari F+A Detailed	32
Release unit assembly kit	33
Upper Vari F, right.....	34
Upper Vari F, left	35
Release unit assembly kit f. legrest w. man. height adjustment.....	36
Upper Vari A complete, right	37
Upper Vari A complete, left	38
ADM + ADP Detailed.....	39
Release unit assembly kit f. legrest 80° w. man. height adjustment	40
Complete upper ADM, right.....	41
Assembly kit, ADM hangers	42

Assembly kit, ADM sliding bush	43
Assembly kit, Trip lever + lock lever	44
Assembly kit, ADM adjustment	45
Complete upper ADM, left	46
Assembly kit, ADM hangers	47
Assembly kit, ADM sliding bush	48
Assembly kit, Trip lever + lock lever	49
Assembly kit, ADM adjustment	50
Upper ADP, right	51
Assembly kit, ADM hangers	52
Assembly kit, ADM sliding bush	53
Assembly kit, Trip lever + lock lever	54
Assembly kit ADP, actuator bracket	55
Assembly kit ADP, hoist motor	56
Upper ADP, left	57
Assembly kit, ADM hangers	58
Assembly kit, ADM sliding bush	59
Assembly kit, Trip lever + lock lever	60
Assembly kit ADP, actuator bracket	61
Assembly kit ADP, hoist motor	62
Lower Footrests	63
Lower Legrests Detailed	64
Calf plate holder, right	65
Calf plate holder, left	66
Back Unit	67
Backrest frame Standard	67
Backrest frame CONTOUR	68
Backrest frame FLEX	69
Backrest adjustment STANDARD	70
Backrest adjustment FLEX/CONTUR man.	71
Backrest adjustment FLEX/CONTUR el.	72
Backrest adjustment ASSEMBLY KIT, cpl.	74
Retaining belts	75
Head rests	76
Backrest Upholstery	78
Seat Plate	80
Seat Support/ Plate	80
Mounting kit seat plate	81
RECARO-Seat	82
Holder for push handle RECARO cpl.	83
Chushion	84
Arne Jensen-Seats	87
Side Panels	89
Euro Side Panels	89

Standard Side Panels	90
Side part plates complete with side part adjustment.....	91
Side Panels for Standard seatheight.....	92
Side part receptacles complete.....	94
Side part receptacles single	95
Side Panels for Arne Jensen-Seats	96
Sliding Armrests	98
Lifter	99
Seat Height Adjustment Manual.....	100
Seat Angle Adjustment Manual	101
Seat Height Adjustment electrical	102
Seat Angle Adjustment electrical	103
Control Unit/ Joystickbox.....	104
Attendant Control	106
Central Steering	107
Chin Control Dash Board	108
Chin Control Assembly Kit	109
Control Unit support	110
Standard/ swing away	110
For Attendant Conroll	111
Control Unit support tabular	112
Desk/ Tray control	113
Tray Control	114
Options	115
Kerb Climber	116
Documentation	117
User Manuals Storm ³	117
User Manuals REM 24 SC -> 03/2004.....	118
User Manuals REM 24 SD	119
User Manuals SHARK.....	120
User Manuals miscellaneous	121

Warnings/ Information

△ **Caution: Physical injury and damage to property! Loss of CE conformity and warranty due to modifications and mounting of privately purchased articles without authority!**

Alterations to the vehicle that are not approved by Invacare® and/or do not belong to the standard or optional equipment can

- downgrade vehicle handling to such an extent that the vehicle is no longer controllable,
- restrict functionality to such an extent that this may cause failure of electric/electronic components or become a fire hazard.

Modifications that have not been approved and the mounting of privately purchased articles will lead to the loss of CE conformity, Invacare® will not be liable in the event of physical injury or damage to property.

Expiration of vehicle warranty.

Maintain full efficiency and the safe use of your vehicle, avoid physical injury, damage to property or the loss of CE conformity and warranty by:

- only using original Invacare® spare parts,
- only using installation material of the same quality as the original material,
- never opening electric and electronic components (not even after warranty has expired!),
- never modifying electric, electronic or mechanical components
- never mounting parts obtained from external manufacturers without written approval from Invacare®.

✓ **Information: Definitions.**

What parts are looked upon by Invacare® as being from external manufacturers and as electric/electronic components?

Among other things, parts from external manufacturers that are subject to approval are:

- All electric and electronic components that are connected to the power supply system of the vehicle, such as seat heating, remotes, signal horns, radios.
- All mechanical mounted parts that change vehicle handling, such as trailed units and seat systems.
- In general mounted parts are not permitted that do not conform with the valid road traffic regulations and may thus also not be mounted on Invacare® vehicles.

Electric and electronic components must not be opened, e.g.:

- Electronics
- Drive motors
- Remotes
- Actuators for electric adjustments, e.g. adjustment of the back, legrests and seat angle.

△ **Caution: Risk of injury when assembling and dismantling the vehicle!**

Before commencing any work, ensure that the vehicle is secure. Please read and follow the valid industrial safety regulations. Carry out maintenance and service work according to the service instructions (available separately) in order to avoid physical injury and damage to property. A tool list, illustrated step-by-step instructions and details of tightening torques, will assist you and show how the vehicle remains, or will remain safe and fully serviceable.

✓ **Information: Invacare® addresses and service numbers.**

Addresses and service numbers of Invacare® branches can be found in the operating instructions, in the service instructions and on the Internet.

Dataplate





- ✓ You are often only able to find the suitable spare part by using the details on the type plate. The type plate is to be found directly on the chassis.

Please quote the serial number, model and year for every order. This helps to prevent misunderstandings.

Typenschild.dwg

INVACARE Deutschland GmbH
Kleiststrasse 49
D-32457 Porta-Westfalica - GERMANY




12/07/2000 

3

Model :

REF :

Agreement No:

SN 


2

Max Speed:

Max Incline:

Front Whl Load:

Total Wt:

EAN 
12345678910111212

Mid Whl Load:

Unladen Wt:

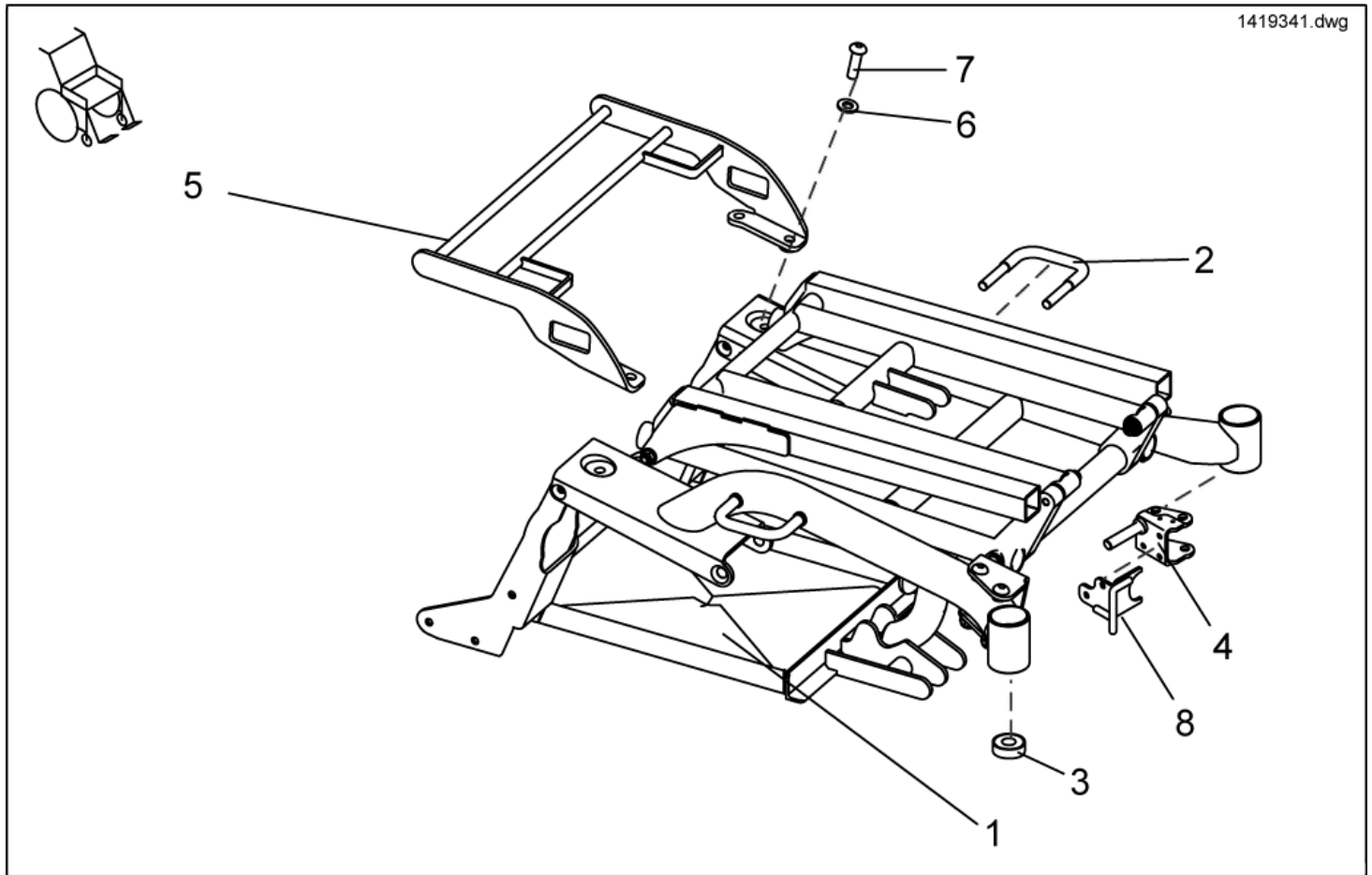
Rear Whl Load:

Max User Wt:

item	description
1	MODEL DESIGNATION
2	SERIAL NUMBER
3	PRODUCTION DATE

Chassis

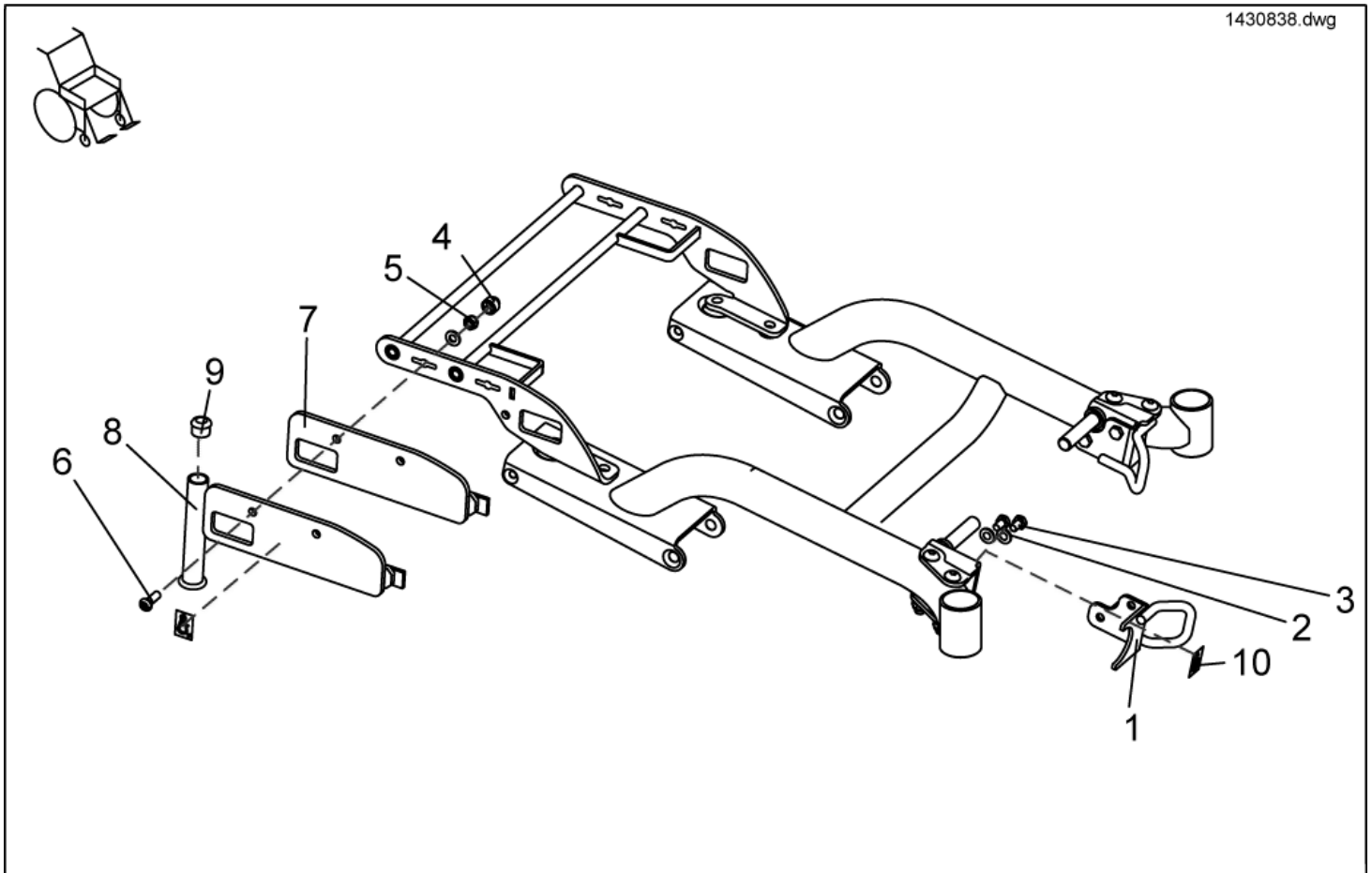
- ✓ **Note:** Special light racks are also required if the carrier is fitted to a vehicle without a carrier. Please also order the matching light racks («»» see chapter on "Rear Lights").



item	ordercode	description	quantity
-	SP1419341	CHASSIS W. LIFTER A. BATTERY BOX, CPL., GREEN	1
-	SP1417949-1107060	PREASSEMBLED CHASSIS, GREEN	1
-	SP1421681	CHASSIS W. LIFTER A. BATTERY BOX, CPL., SILVER	1
-	SP1417949-9006	PREASSEMBLED CHASSIS, SILVER	1
-	SP1428066	CHASSIS W. LIFTER A. BATTERY BOX, CPL., BLUE	1
-	SP1417949-5002	PREASSEMBLED CHASSIS, BLUE	1
-	1418527	PREASSEMBLED LIFTER UNIT	1
-	SP1430338	CHASSIS w. LIFTER & BATTERY CASE BLUE CPL.	1
-	SP1430339	CHASSIS w. LIFTER & BATTERY CASE SILVER CPL.	1
-	SP1430340	CHASSIS w. LIFTER & BATTERY CASE GREEN CPL.	1
-	SP1430125	CHASSIS "EURO" CPL.	1
1	1417955-9005	PREASSEMBLED BATTERY FRAME	1
2	1421650-9005	SIDE FIXATION	2
3	1419254	ANGULAR BALL BEARING 7202B 2RS	4
4	1418547-9005	BEARING PLATE LH	1
4	1418544-9005	BEARING PLATE RH	1
5	SP1421022	LUGGAGE CARRIER CPL.	1
6,7	1440694	FIXING KIT LUGGAGE CARRIER CPL.	1
6	NA	WASHER DIN 125 10,5x2	4
7	NA	BOLT M10 X 35 DIN 7380	4
8	NA	»»» see "CRASH KIT"	1

Crash Kit

- ⚠ **CAUTION: Danger of injury if the wheelchair is not secured properly in the vehicle!**
In order to secure the empty wheelchair in the vehicle, please use the 4-Point-Tie-Down system. Please observe the chapter in the operating instructions on "Transport" for safe handling using the Standard transport system.
- ⚠ **CAUTION: Danger of injury if the wheelchair is not secured properly in the vehicle and if the user is not secured properly in the wheelchair.**
If a person is to be transported whilst sitting in the wheelchair you will require the 4-POINT-FIXATION (according to ISO 7176-19:2001) as well as a retaining belt (»»» see chapter on "retaining belts") and a headrest (»»» see chapter on "headrests"). The 4-POINT-FIXATION (according to ISO 7176-19:2001) has passed the test according to ISO 7176-19:2001 in connection with an anchoring system according to ISO 10542, retaining belt and headrest. It can, therefore, only be used in this configuration if the person remains seated in the wheelchair during transport. Please observe the chapter in the operating instructions on "transport" for safe handling using the 4-POINT-FIXATION (according to ISO 7176-19:2001).
- ✓ **Information:** CRASH KIT ONLY FITS LUGGAGE CARRIER SP1421022! ORDER IF NOT SUPPLIED!
- ✓ **Note:** Special light racks are also required if the carrier is fitted to a vehicle without a carrier. Please also order the matching light racks (»»» see chapter on "Rear Lights").

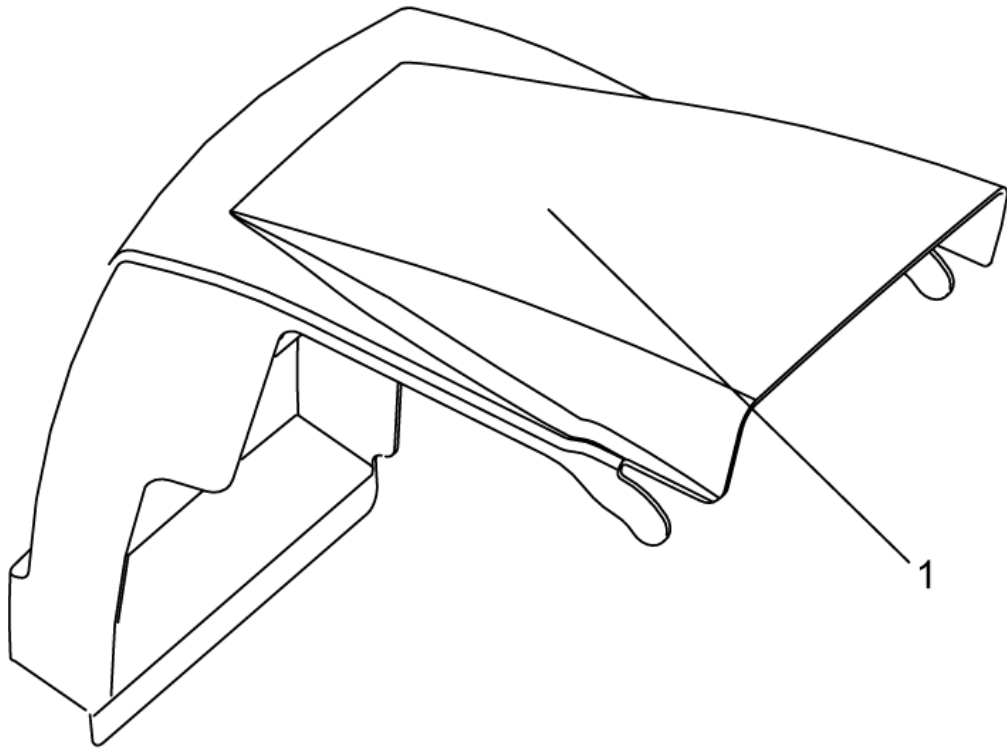


item	ordercode	description	quantity
1-7	1442928	4-POINT-TIE-DOWN, COMPLETE	1
1-6, 8-9	1442929	4-POINT-TIE-DOWN, FOR HOLLAND COMPLETE	1
1-7, 10	SP1430389	CRASH KIT ACCORDING TO ISO 7176-19	1
1-6, 8-10	SP1430391	CRASH KIT/TAXI STRAP FOR NL	1
1	1422049-9005	FRONT FIXATION LH	1
1	1422050-9005	FRONT FIXATION RH	1

item	ordercode	description	quantity
2+3	1444666	Mounting kit front fixation/ front fixation with kerb climber	1
2	NA	WASHER 8,4 X 17 X 1,6	8
3	NA	HEX HEAD SCREW M8 X 12	4
4	L01041	NUT CAP M8	4
5	NA	NYLOC NUT M8	4
6	NA	SCREW M8 X 25	4
7	1430389-9005	FIXING PLATE FOR ISO CRASH KIT LH	1
7	1430388-9005	FIXING PLATE FOR ISO CRASH KIT RH	1
8	1430391-9005	FIXING PLATE FOR HOLLAND CRASH KIT LH	1
8	1430392-9005	FIXING PLATE FOR HOLLAND CRASH KIT RH	1
9	L01008	TUBE END PLUG SL 22	2
10	NA	ISO 7176-19 STICKER RAL 1026	4

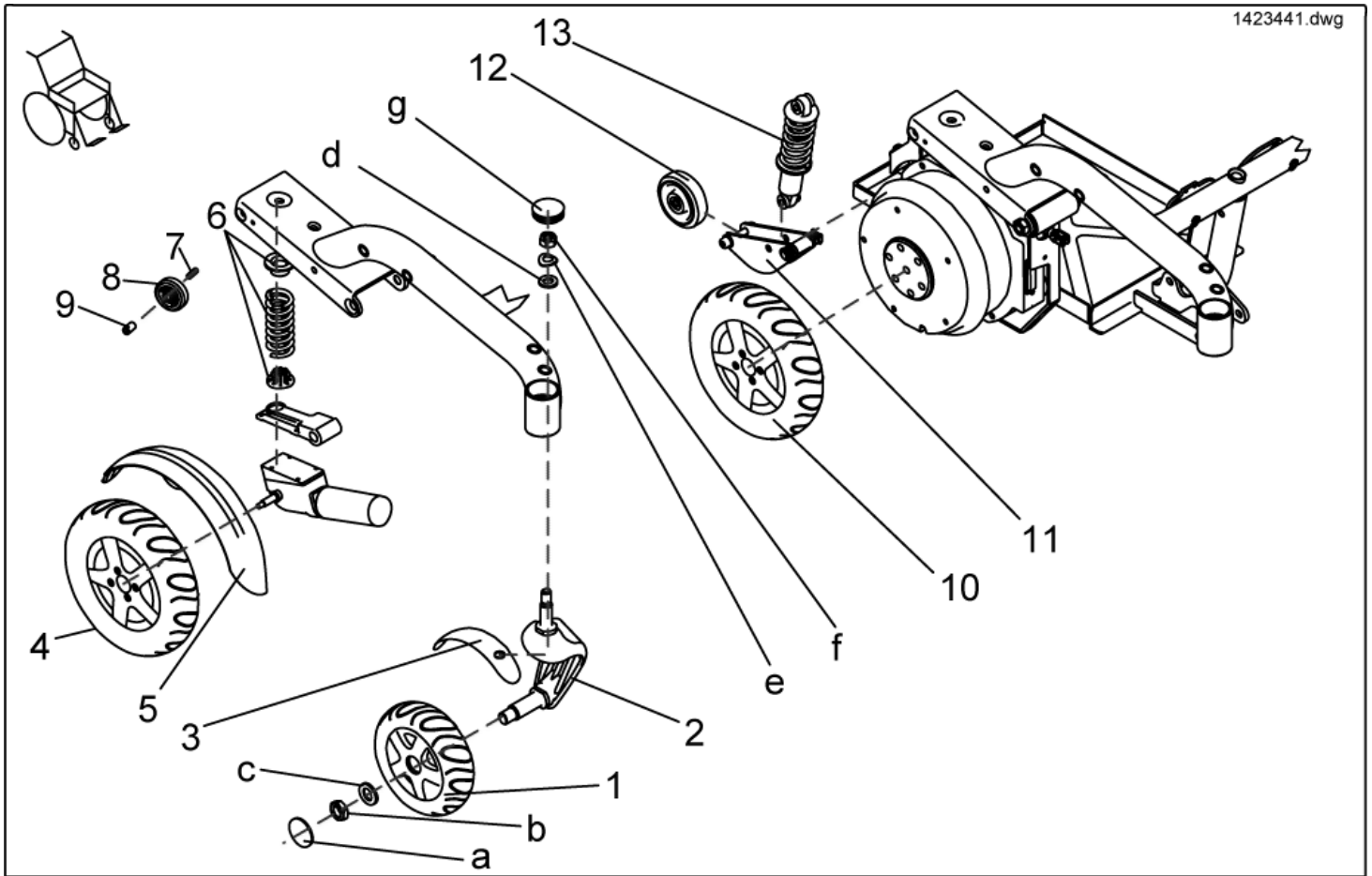
Shrouds

1428069.dwg



item	ordercode	description	quantity
1	SP1421845	BATTERY COVER GREEN CPL.	1
1	SP1421846	BATTERY COVER SILVER CPL.	1
1	SP1428069	BATTERY COVER BLUE CPL.	1

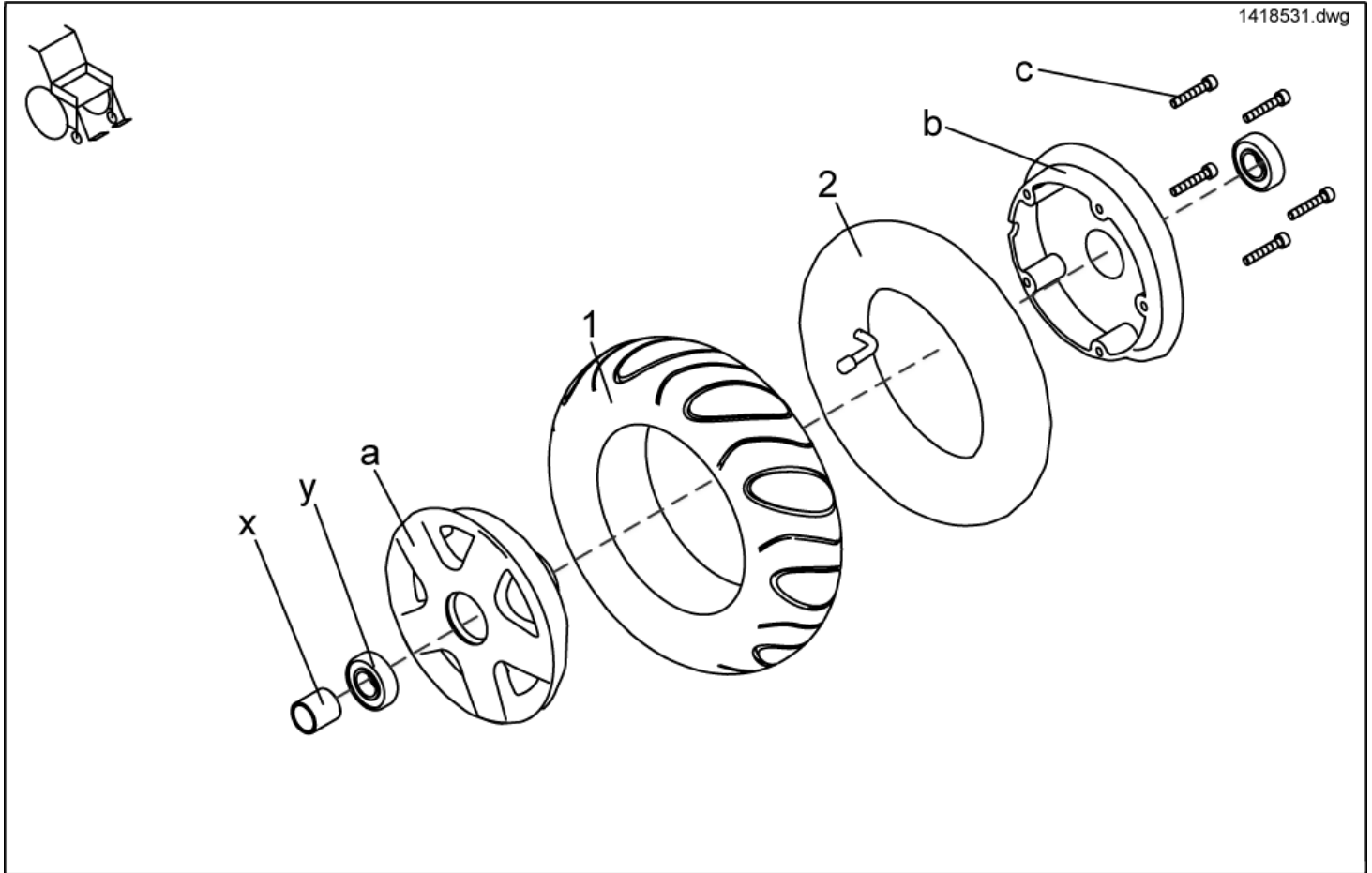
Wheel Suspension/ Wheels



item	ordercode	description	quantity
1	NA	»»» see "FRONT WHEELS"	
2	SP1422771	WHEEL FORK LH	1
2	SP1422772	WHEEL FORK RH	1
3	SP1423179	SPLASH GUARD ASSEMBLY KIT LH	1
3	SP1423180	SPLASH GUARD ASSEMBLY KIT RH	1
a,b,c,d,e,f,g	SP1423178	FRONT WHEEL FORK ASSEMBLY KIT	2
a	NA	CAP WITH "INVACARE" LOGO	1
b	NA	NUT M16 X 1.5 ISO 4035	1
c	NA	WASHER 17 X 30 X 3	1
d	NA	WASHER 13 X 24 X 2,5	1
e	NA	SPRING WASHER 24 X 13 X 1,2 PROFILE A, DIN-137; GALV...	1
f	NA	NYLOC NUT M12 X 1,5	1
g	NA	SLIDER SL 42	1
4	NA	»»» see "REAR WHEELS"	
5	1429341	REAR FENDER CPL.	1
5	1443275	Rear Fender True Track cpl.	1
5	SP1424678	MUDGUARD REAR LH CPL.	1
5	1443276	Mudguard rear True Track LH cpl.	1
5	SP1424676	MUDGUARD REAR RH CPL.	1
5	1443277	Mudguard rear True Track RH cpl.	1
6	SP1423441	SPRING SET "HARD"	1
6	SP1423442	SPRING SET "SOFT"	1
7	1427057-0002	BUSH 12 X 2 X 35,5	4
8	1418533	ANTI-TIPPER WHEEL, KAMA 80 X 80	4
9	1428067-0002	BUSH 18 X 5 X 32	4
10	NA	»»» see "REAR WHEELS True Track"	
11	SP1429557	ANTI-TIP HOLDER AND WHEEL CPL.	2

item	ordercode	description	quantity
12	SP1428929	SUPPORT WHEEL	2
13	1428928	SHOCK ABSORBER DV-22-165	2

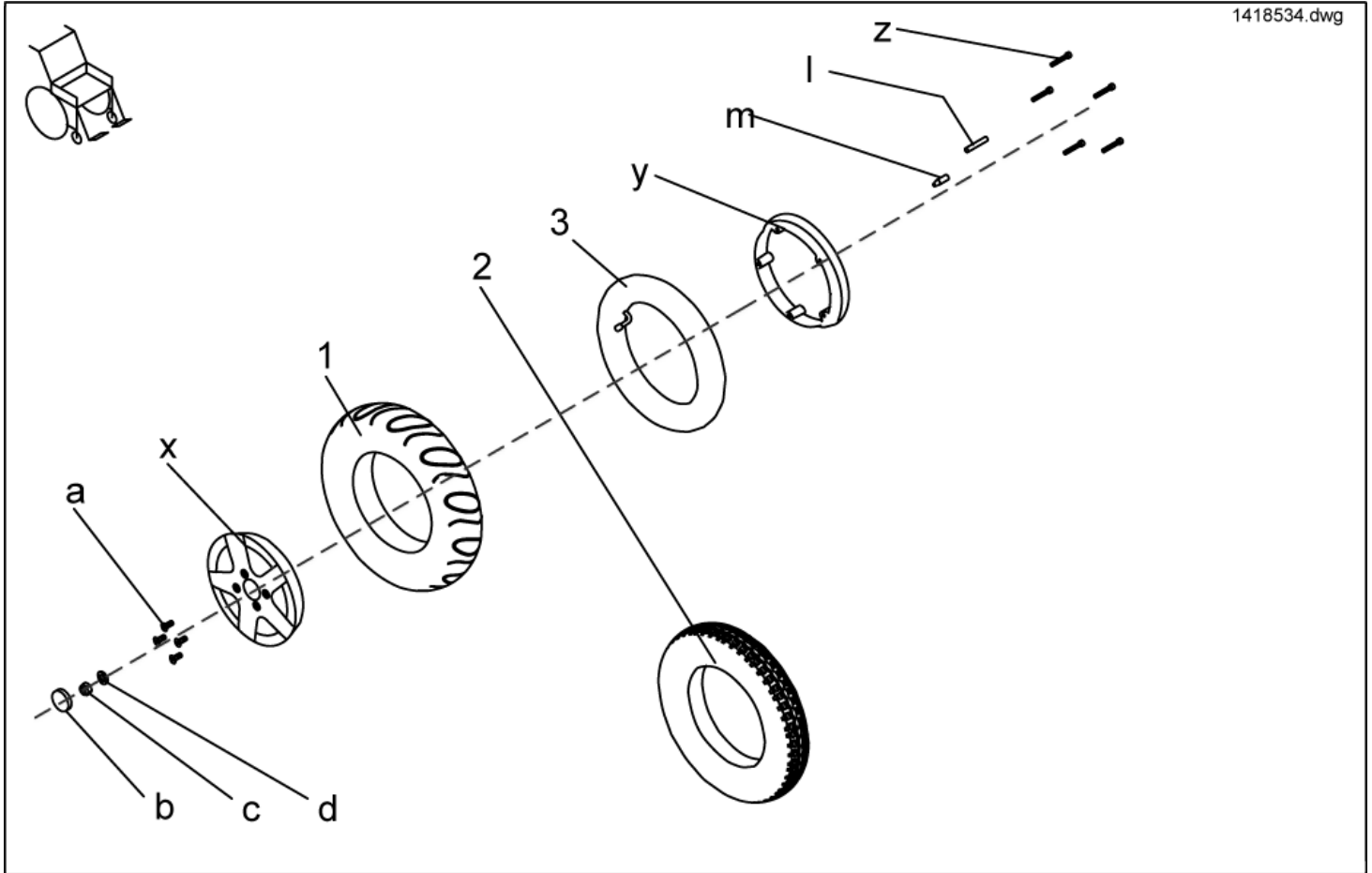
Front Wheels



item	ordercode	description	quantity
-	SP1418531	WHEEL 3.00-6" AIR, GREY, CPL.	2
-	SP1419256	WHEEL 3.00-6" AIR, BLACK, CPL.	2
-	SP1422932	WHEEL 3.00-6" PUNCTURE-PROTECTED, GREY, CPL.	2
-	SP1422933	WHEEL 3.00-6" PUNCTURE-PROTECTED; BLACK, CPL.	2
-	SP1430231	WHEEL 3.00-6 PUNCTURE-PROOF SOLID INLAY GREY CPL.	2
-	SP1430232	WHEEL 3.00-6 PUNCTURE-PROOF SOLID INLAY BLACK CPL.	2
1	1418532	COVER 3.00-6", GREY	1
1	1419226	COVER 3.00-6", BLACK	1
1	1430229	OUTER TYRE 3.00-6 GREY PUNCTURE-PROOF SOLID INLAY	1
1	1430230	OUTER TYRE 3.00-6 BLACK PUNCTURE-PROOF SOLID INLAY	1
2	1415175	TUBE 3.00 X 6 90 ° TR 87	1
a-c	SP1423181	WHEEL RIM ASSEMBLY KIT 6", CPL.	2
a	NA	TYRE LOCKING RING 6", OUTSIDE	1
b	NA	TYRE LOCKING RING 6", INSIDE	1
c	NA	SOCKET HEAD CAP SCREW M6 X 35	5
x+y	SP1423182	WHEEL RIM BEARING SET 6", CPL.	2
x	NA	SPACER BUSH	1
y	NA	DEEP GROVE BALL BEARING 6004-2RS	2

Driving Wheels

1418534.dwg

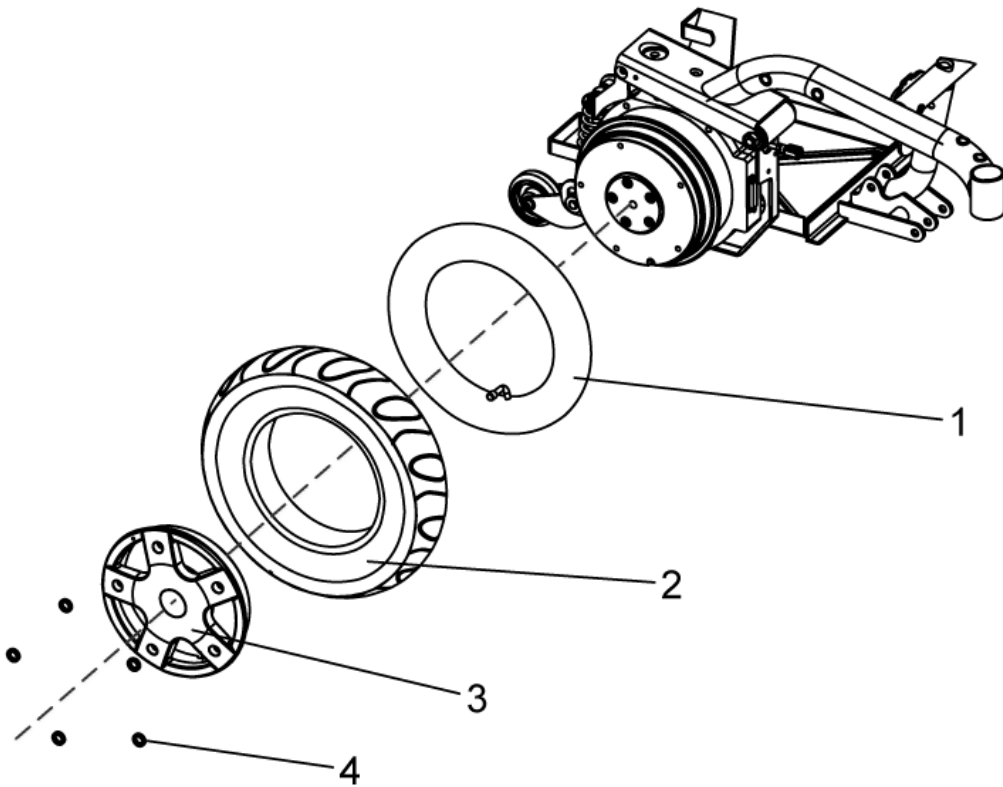


item	ordercode	description	quantity
-	SP1433544	Antriebsrad komplett, Trelleborg Tyreg. T-539, grau, pannengeschützt	2
-	SP1433543	Antriebsrad komplett, Trelleborg Tyreg. T-539, grau, pneumatisch	2
-	SP1418534	WHEEL 3.00-8" AIR, GREY, CPL.	2
-	SP1419258	WHEEL 3.00-8" AIR, BLACK, CPL.	2
-	SP1421829	WHEEL 3.00-8" PUNCTURE-PROTECTED, GREY, CPL.	2
-	SP1421831	WHEEL 3.00-8" PUNCTURE-PROTECTED, BLACK, CPL.	2
-	SP1430220	WHEEL 3.00-8 PUNCTURE-PROOF SOLID INLAY GREY CPL.	2
-	SP1430221	WHEEL 3.00-8 PUNCTURE-PROOF SOLID INLAY BLACK CPL.	2
-	SP1421801	WHEEL 3.00-8" TRELLEBORG, GREY, CPL.	2
-	SP1421833	WHEEL 3.00-8" TRELLEBORG PUNCTURE-PROTECTED, GREY, CPL.	2
1	1415173	COVER 3.00-8", GREY	2
1	1419257	COVER 3.00-8", BLACK	2
1	1430215	OUTER TYRE 3.00-8 GREY PUNCTURE-PROOF SOLID INLAY	2
1	1430217	OUTER TYRE 3.00-8 BLACK PUNCTURE-PROOF SOLID INLAY	2
2	M11968	TYRE 3.00X8, STOLLE, (TRELLEBORG), GREY	2
3	M12016	INNER TUBE 3.00-8 WITH VALVE TR 87-90/90	2
a-d	SP1423443	WHEEL ASSEMBLY KIT 3.00-8"	2
a	NA	SCREW M8 X 35 TORX DIN 7991	4
b	NA	CAP WITH "INVACARE" LOGO	1
c	NA	NYLOC NUT M12 X 1,5	1
d	NA	WASHER 13 X 24 X 2,5	1
l+m	SP1423185	SPEEDOMETER DRIVE GEAR ASSEMBLY KIT, CPL.	1
l	NA	MAGNETIC RUBBER	1
m	NA	MAGNET, ROUND 6 X 25	1
x-z	SP1423184	WHEEL RIM ASSEMBLY KIT 8", CPL.	2
x	NA	TYRE LOCKING RING 8", OUTSIDE	1
y	NA	TYRE LOCKING RING 8", INSIDE	1

item	ordercode	description	quantity
z	NA	SOCKET HEAD CAP SCREW M6 X 40	5

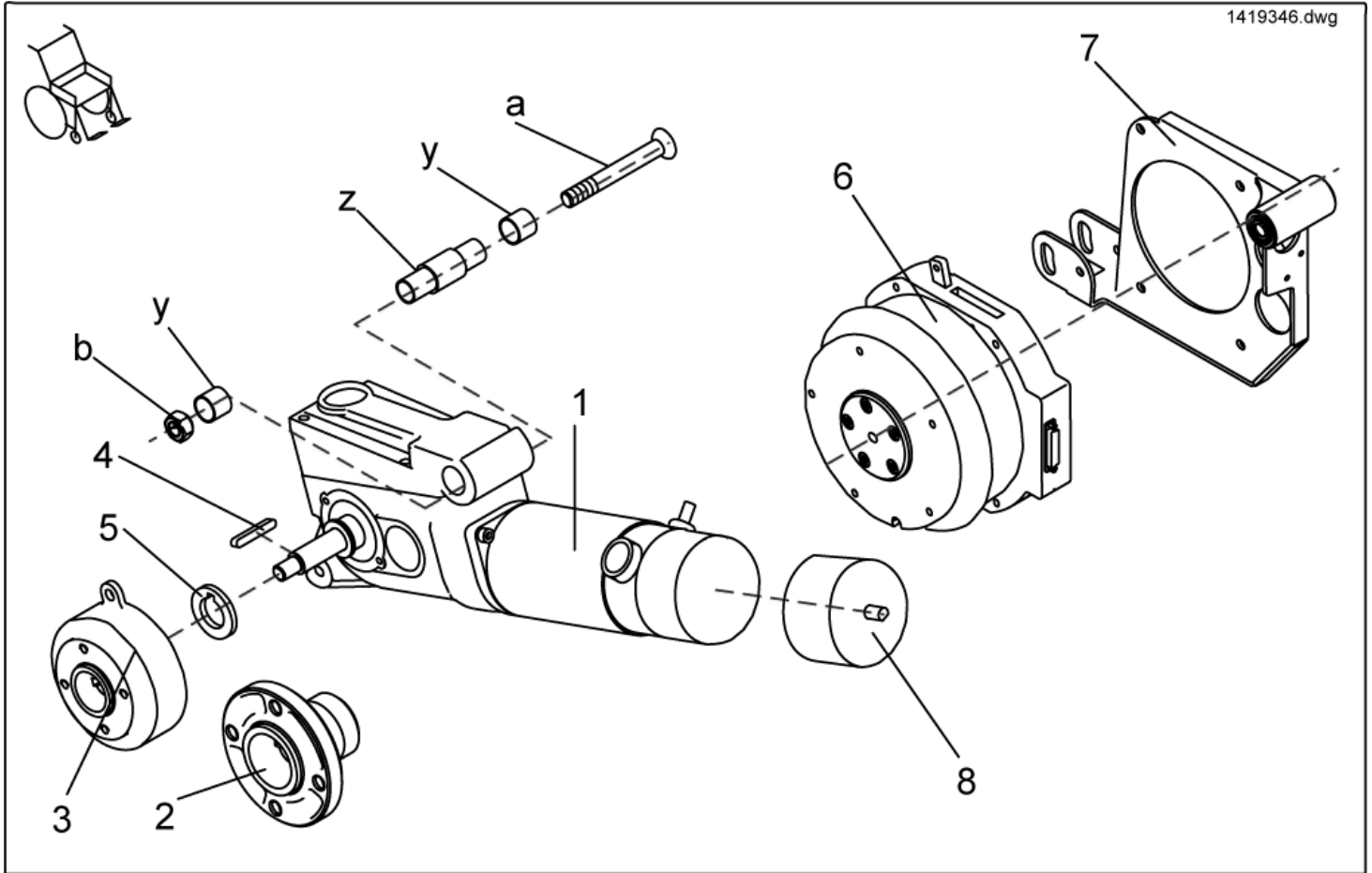
Rear Wheels True Track

1433537.dwg



item	ordercode	description	quantity
1	M12016	INNER TUBE 3.00-8 WITH VALVE TR 87-90/90	2
2	1415173	COVER 3.00-8", GREY	2
2	1419257	COVER 3.00-8", BLACK	2
2	M11968	TYRE 3.00X8, STOLLE, (TRELLEBORG), GREY	2
3	1429347-0307	REAR WHEEL RIM OUTER	2
4	5829252	WASHER NORD-LOCK 5/16	10

Driving unit

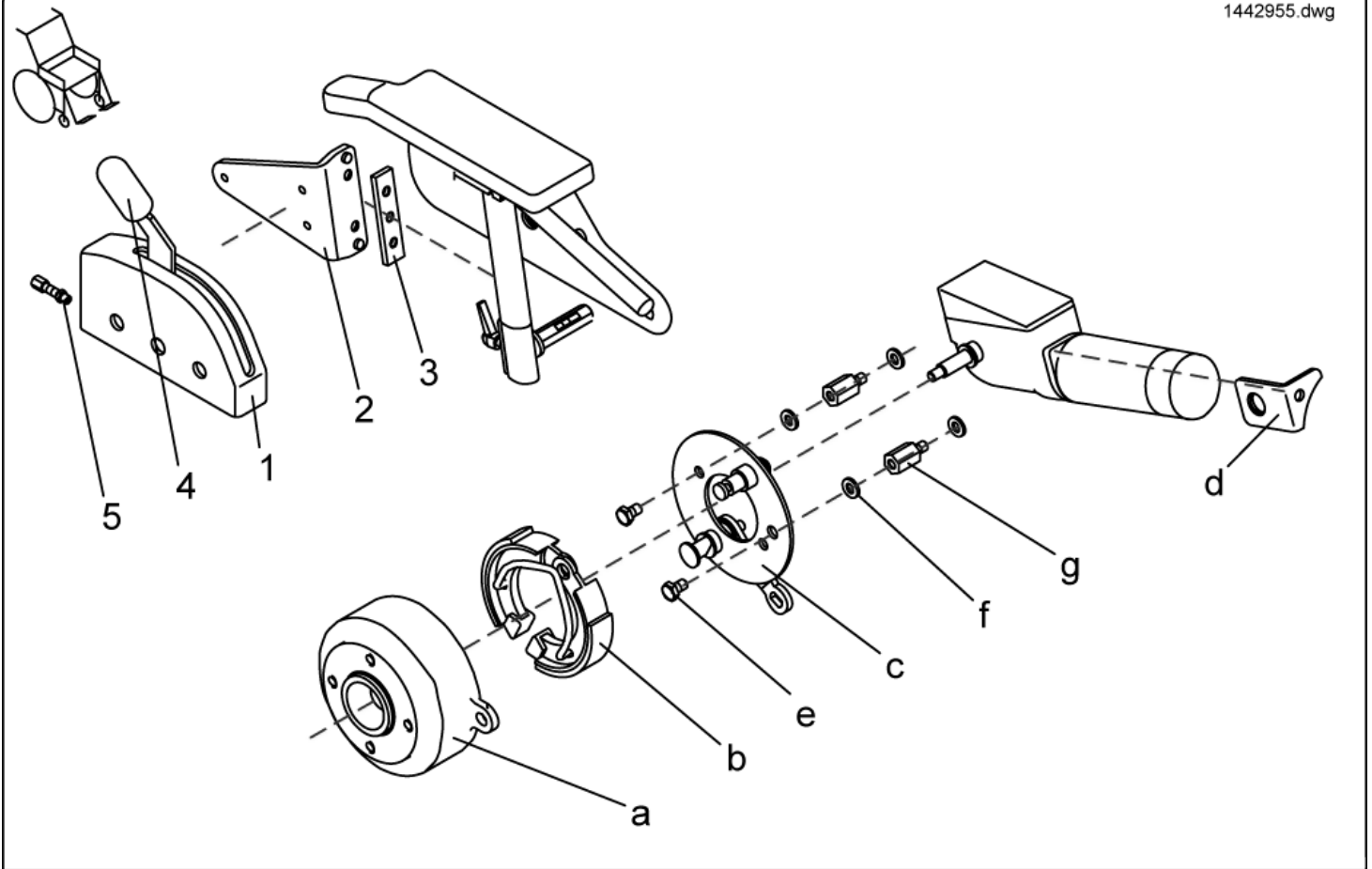


item	ordercode	description	quantity
-	SP1421802	DRIVE UNIT, 6 KM/H LH CPL. (WITH BRAKE)	1
-	SP1421803	DRIVE UNIT, 6 KM/H RH CPL. (WITH BRAKE)	1
-	SP1421804	DRIVE UNIT, 6 KM/H LH CPL. (WITHOUT BRAKE)	1
-	SP1421805	DRIVE UNIT, 6 KM/H RH CPL. (WITHOUT BRAKE)	1
-	SP1421806	DRIVE UNIT, 10 KM/H LH CPL. (WITH BRAKE)	1
-	SP1421807	DRIVE UNIT, 10 KM/H RH CPL. (WITH BRAKE)	1
-	SP1421808	DRIVE UNIT, 10 KM/H LH CPL. (WITHOUT BRAKE)	1
-	SP1421809	DRIVE UNIT, 10 KM/H RH CPL. (WITHOUT BRAKE)	1
-	SP1421810	DRIVE UNIT, 12 KM/H LH CPL. (WITH BRAKE)	1
-	SP1421811	DRIVE UNIT, 12 KM/H RH CPL. (WITH BRAKE)	1
-	SP1421812	DRIVE UNIT, 12 KM/H LH CPL. (WITHOUT BRAKE)	1
-	SP1421813	DRIVE UNIT, 12 KM/H RH CPL. (WITHOUT BRAKE)	1
1	1422899	DRIVE UNIT 6 KM/H LH	1
1	1422898	DRIVE UNIT 6 KM/H RH	1
1	1422901	DRIVE UNIT 10 KM/H LH	1
1	1422900	DRIVE UNIT 10 KM/H RH	1
1	1422903	DRIVE UNIT 12 KM/H LH	1
1	1422902	DRIVE UNIT 12 KM/H RH	1
2	1415172	WHEEL HUB STD.	1
3	1415171	WHEEL HUB FOR BRAKE	1
4	N23004	WOODRUFF KEY A 6 X 6 X 40	2
5	1423164-0002	WASHER 19 MM WITH CUTOUT FOR FEATHER KEY	1
a,b	SP1423186	DRIVE UNIT ASSEMBLY KIT, CPL.	2
a	NA	SCREW M12 X 100, DIN 7991	1
b	NA	NUT M12	1
y,z	SP1421761	SHAFT	2
y	NA	SINTERED METAL BUSH	2

item	ordercode	description	quantity
z	NA	SHAFT	1
-	Z131034	Magnet brake, for drive unit left P01062/4 (from SCHMID)	1
-	Z131035	Magnet brake, for drive unit right P01061/3 (from SCHMID)	1
-	0511-5016	CLUTCH SPARE PART KIT (SCHMID + RELIANCE)	2
-	SP1423439	CARBON BRUSH SET (SCHMID)	2
-	F351007	ACS MOTOR PLUG CPL.	2
6	SP1433561	MOTOR GEARLESS LH	1
6	SP1433562	MOTOR GEARLESS RH	1
7	SP1422840	CRANK LH CPL.	1
7	SP1428930	CRANK RH CPL.	1
8	1484939	Plastikhaube für Schmid-Antrieb Storm3	1

Brake

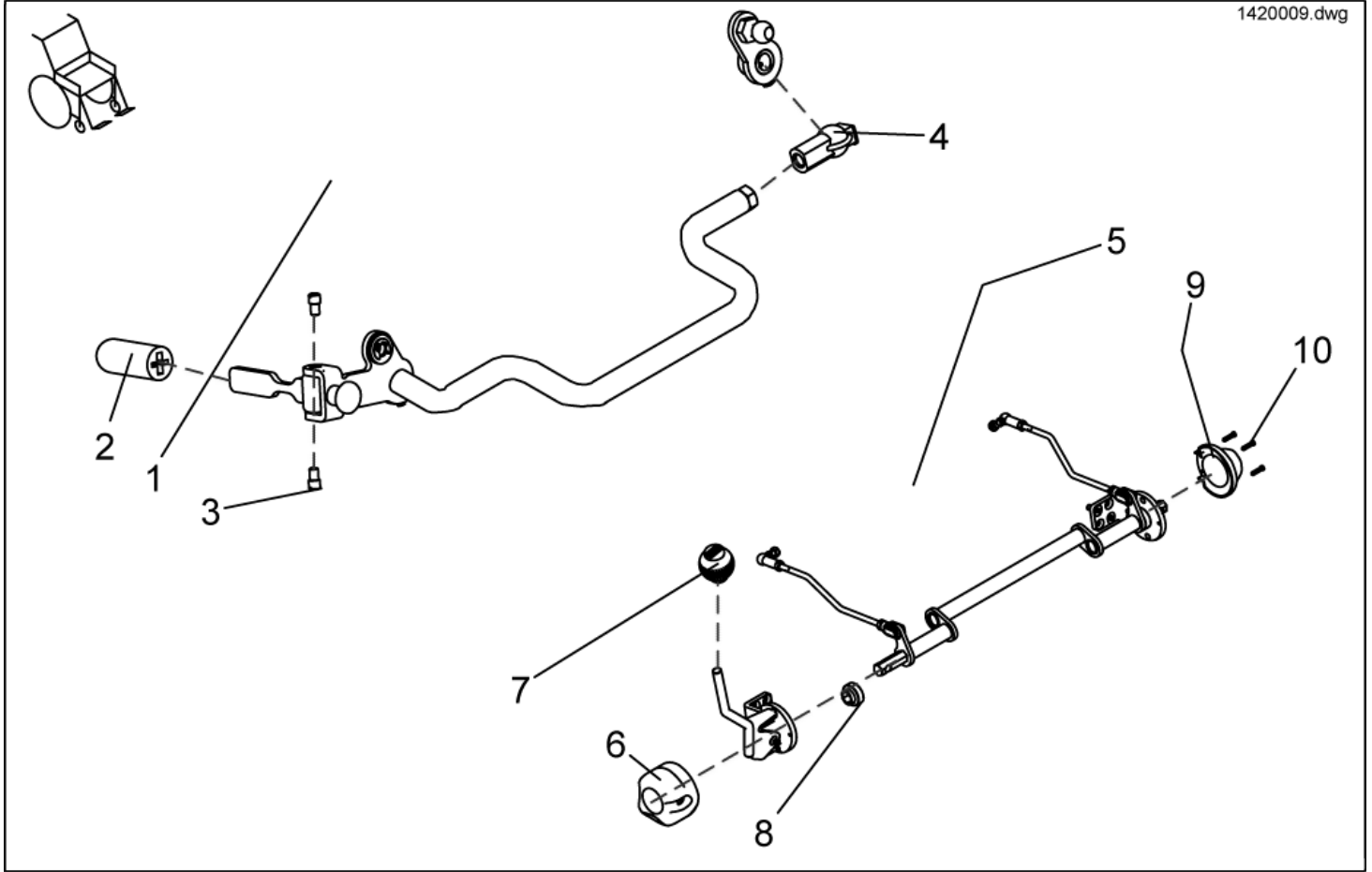
1442955.dwg



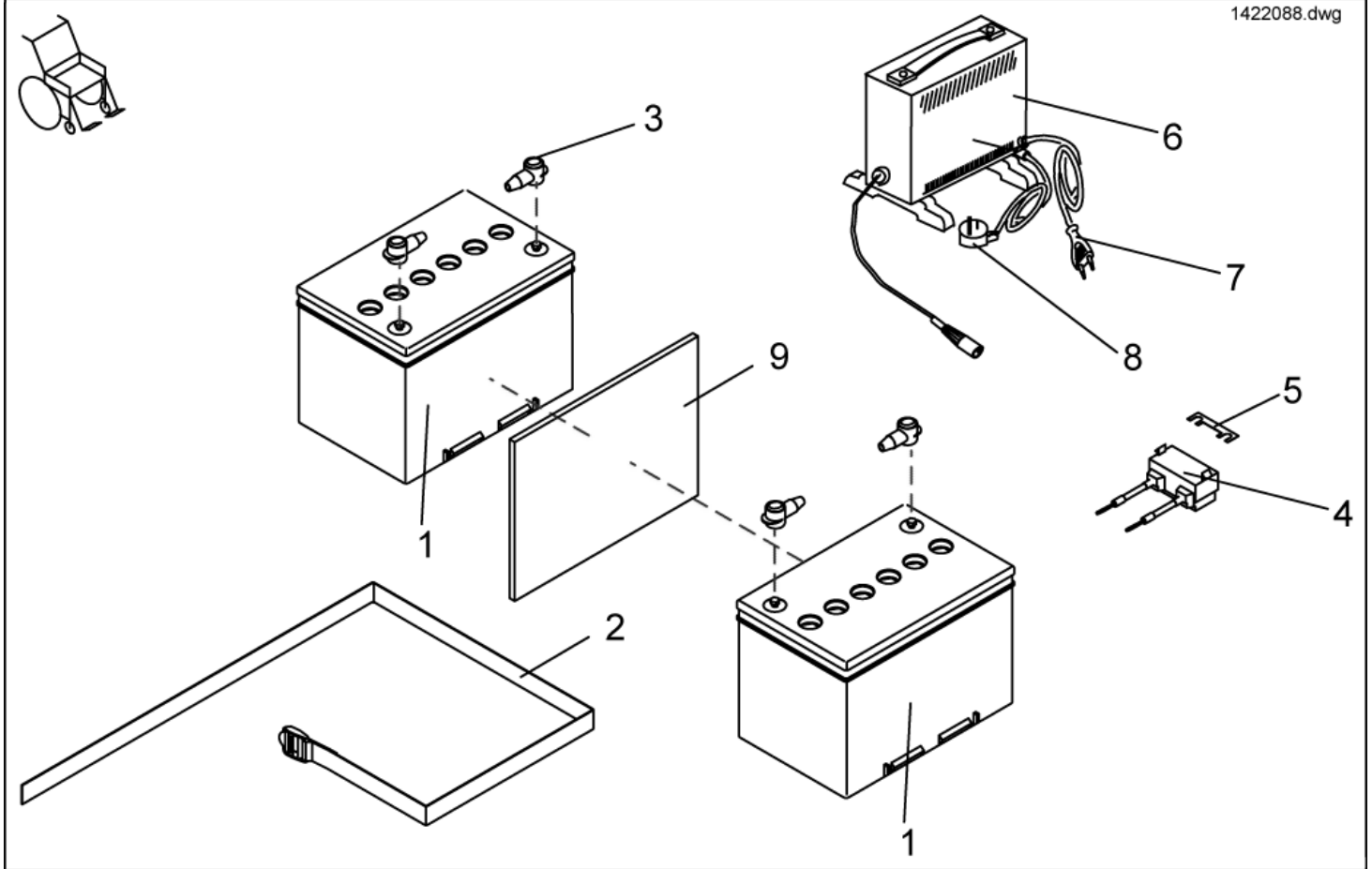
item	ordercode	description	quantity
-	SPF331028	BRAKE ASSY LH	1
-	SPF331038	BRAKE ASSY RH	1
-	SP1423473	BOWDEN CABLE SET CPL.	1
1	F331022	BRAKE BOX COVER; GREY	1
2	1428075-9005	BRAKE BOX HOLDER LH	1
2	1428076-9005	BRAKE BOX HOLDER RH	1
3	1421720-0002	GROVE PLATE	1
4	5007791	KNOB; BLACK	1
5	M30050	ADJUSTING SCREW M6 X 24; ZINC PLATED	4
a,b,c,d,e,f,g	1442955	Kit WHEEL BRAKE LH, CPL.	1
a,b,c,d,e,f,g	1442956	Kit WHEEL BRAKE RH, CPL.	1
a	1415171	WHEEL HUB FOR BRAKE	1
b	M30985	BRAKE SHOE 90X18 (ANELLI)	1
c	SP1415066	PRE-ASSEMBLED BRAKE BACKING PLATE RH	1
c	SP1415067	PRE-ASSEMBLED BRAKE BACKING PLATE LH	1
d	1421653-0003	HOLDER-UP LH	1
d	1421654-0003	HOLDER-UP RH	1
e	NA	HEX HEAD SCREW M6 X 10	2
f	NA	WASHER 6,4 X 12,5 X 1,6	4
g	NA	HEXAGON SPACER	2

Decoupling

1420009.dwg

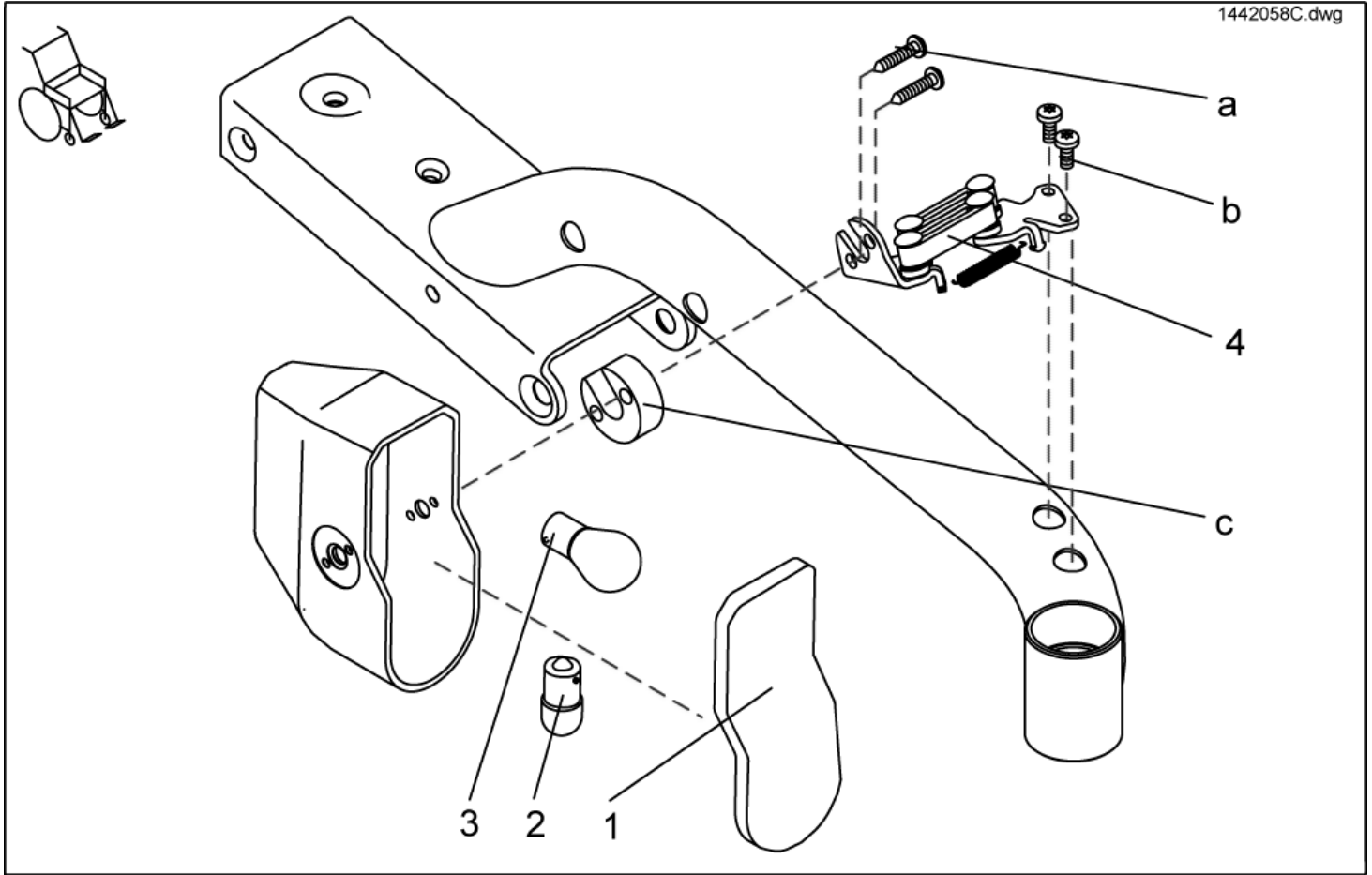


item	ordercode	description	quantity
1	1420009	DECOUPLING MECHANISM, CPL.	1
2	5007791	KNOB; BLACK	1
3	1420014	SHANK SCREW	2
4	5816488	BALL SEAT	1
5	SP1431810	DISENGAGER TRUE TRACK CPL.	1
6	1430163	CAP 1 FOR CLUTCH MECHANISM	1
7	1430147	HANDLE KNOB	1
8	1430406	BUSHING	2
9	1430164	CAP 2 FOR CLUTCH MECHANISM	1
10	H90993	CLIP 3,0 MM	3



item	ordercode	description	quantity
1	P50016	BATTERY 12V / 70 AH	2
2	1421655	BATTERY STRAP	1
3	P52996	BATTERY TERMINAL COVER	4
4	NA	STRIP FUSE HOLDER WITH FUSE SHARK	1
4	1419369	STRIP FUSE CPL.	1
4	1432561	STRIP FUSE HOLDER M. 80 A FUSE	1
5	1442600	STRIP FUSE 40A (SHARK)	1
5	P12191	FUSE 50 A	1
5	1433734	STRIP FUSE 80A (ONLY TRUE TRACKI)	1
6,7	SP1423696	CHARGER 24V/8A W. CONTINENTAL MAINS CABLE, CPL.	1
6,8	SP1423697	CHARGER 24V/8A W. UK MAINS CABLE, CPL.	1
6	P51981	BATTERY CHARGER 8 A WITH XLR CONNECTION	1
7	P21079	MAINS CABLE GCB-0401 CONTINENTAL; BLACK	1
8	P21080	MAINS CABLE GCB-0403 UK; BLACK	1
9	F384057	BATTERY BOX LINING, BLACK	3
-	1419370	BATTERY CABLE	1
-	1419983	BATTERY CABLE (TÜV VERSION)	1
-	1432560	BATTERY CABLE 70AH (f. GEARLESS MOTORS)	1
-	NA	BATTERY CABLE FOR SHARK WITH LIGHTS	1

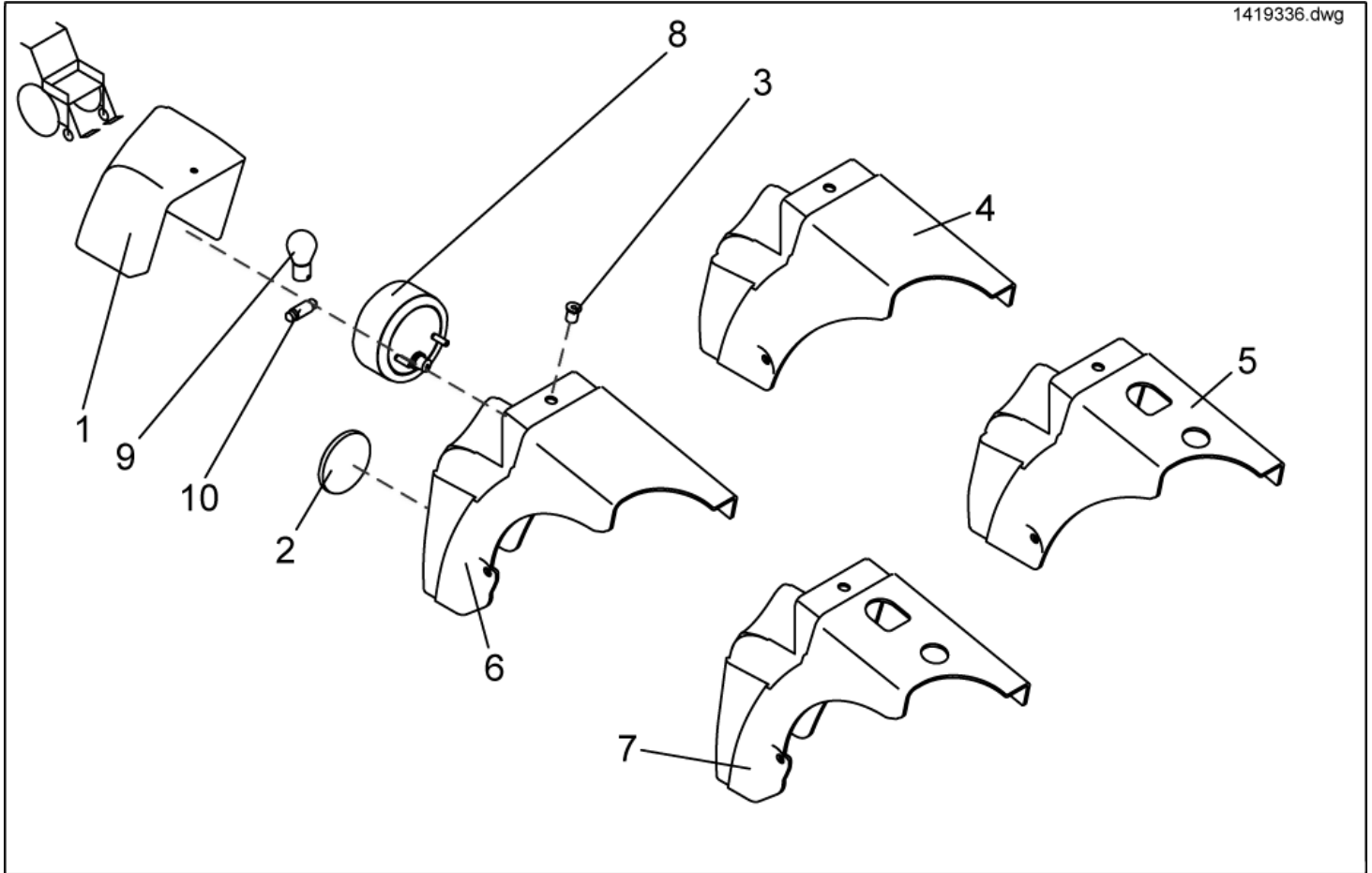
Lighting - Front Lights



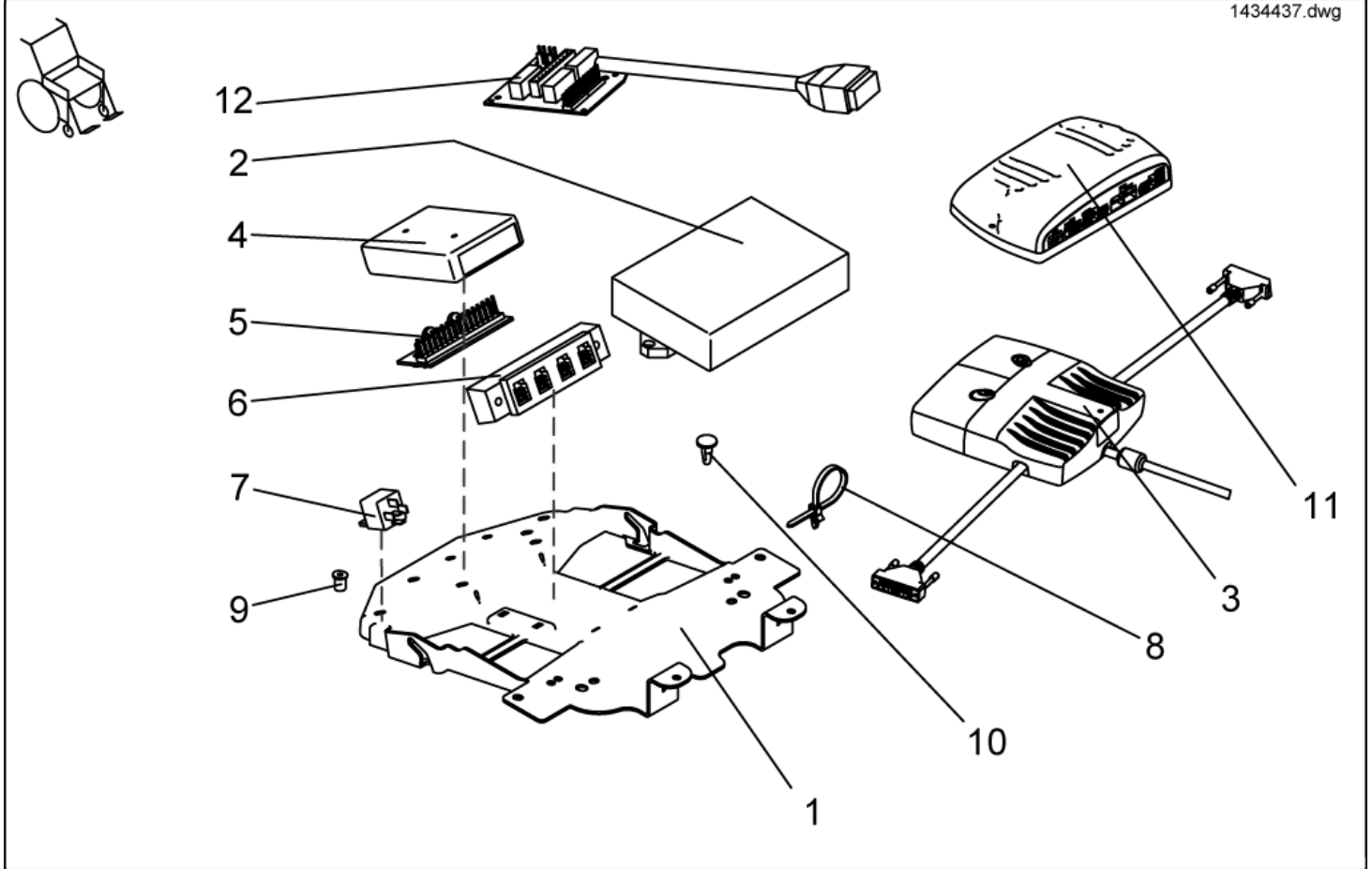
item	ordercode	description	quantity
-	1420413	HEADLAMP LH 24V CPL.	1
-	1420412	HEADLAMP RH 24V CPL.	1
1	1433737	HEADLIGHT LENS	2
2	P31108	LIGHTBULB 24V/10W	2
3	1419271	LIGHTBULB 24V/21W, YELLOW	2
4	1428081	SWIVEL MECHANISM LH	1
4	1428082	SWIVEL MECHANISM RH	1
a,b	1442685	MOUNTING KIT FRONT LIGHT	1
a,b,c	SP1422822	FIXING SET FRONT HEADLIGHT FOR SB AB 43CM	1
a	NA	SELF-TAPPING CROSS HEAD SCREW 4,8 X 16	4
a	NA	BOLT 4,8 X 25 DIN 7981	4
b	NA	BOLT M5 X 12 DIN 7500	4
c	NA	SPACER	2

Lighting - Rear Lights

1419336.dwg



item	ordercode	description	quantity
-	SP1419335	LIGHT SUPPORT WITHOUT LIGHT & LUGGAGE CARRIER CPL.	1
-	SP1419336	LIGHT SUPPORT WITH LIGHT WITHOUT LUGGAGE CARRIER CPL.	1
-	SP1419337	LIGHT SUPPORT WITHOUT LIGHT FOR LUGGAGE CARRIER CPL.	1
-	SP1419338	LIGHT SUPPORT WITH LIGHT FOR LUGGAGE CARRIER CPL.	1
-	SP1433547	LIGHT SUPPORT WITHOUT LIGHT & LUGGAGE CARRIER	1
-	SP1433556	LIGHT SUPPORT WITH LIGHT WITHOUT LUGGAGE CARRIER	1
-	SP1433557	LIGHT SUPPORT WITHOUT LIGHT FOR LUGGAGE CARRIER	1
-	SP1433558	LIGHT SUPPORT WITH LIGHT FOR LUGGAGE CARRIER	1
1	1421738	LAMP CASING, SILVER LH	1
1	1421739	LAMP CASING, SILVER RH	1
1	SP1421738	LAMP CASING, NO LIGHTS	1
1	SP1421739	LAMP CASING, NO LIGHTS	1
1	1419331	Leuchtenverkleidung für Licht, links	1
1	1419332	Leuchtenverkleidung für Licht, rechts	1
2	1419274	REFLECTOR, RED	2, 4
3	1422052	GETO WELL NUT M5	4
4	1419333	REAR LIGHT SUPPORT LH	1
4	1419334	REAR LIGHT SUPPORT RH	1
5	1421815	LIGHT SUPPORT LH WITH LUGGAGE CARRIER CUTOUT	1
5	1421814	LIGHT SUPPORT RH WITH LUGGAGE CARRIER CUTOUT	1
6	1429342	LIGHT SUPPORT LH	1
6	1429343	LIGHT SUPPORT RH	1
7	1430143	LIGHT SUPPORT LH WITH LUGGAGE CARRIER CUTOUT	1
7	1430144	LIGHT SUPPORT RH WITH LUGGAGE CARRIER CUTOUT	1
8	1442736	REAR LIGHT 24V CPL.	2
9	1419271	LIGHTBULB 24V/21W, YELLOW	2
10	P31191	LAMP 24V/5W	2



item	ordercode	description	quantity	note
1	1418528	DEVICE SUPPORT	1	
1	NA	DEVICE SUPPORT SHARK	1	
2	6001423	ACS ELECTRONIC MODULE DX-PMB AS (60A)	1	
2	P10064	ACS POWER MODULE DX-PM2 (80A)	1	
3	1430150	ACS POWER MODUL DX-GB 100A	1	
4	6001825	ACS-LIGHTING MODULE 24 V STD.	1	
4	P10081	ACS-CLAM (LIGHTING/ACTUATOR MODULE COMBINED)	1	
5	1415004	CENTRAL LIGHT DISTRIBUTOR MAINBOARD	1	
6	P10072	ACS-BUS T-ADAPTER (SPLITTER)	1	
7	P11195	RELAY SWITCH 24V/10-20A	0-3	
-	1431755	UPGRADE KIT SEAT ANGLE STABILISOR	1	
-	1440533	ACS ELECTRONIC HOLDER ASSEMBLY KIT	1	
-	NA	COUNTERSUNK CROSS HEAD SCREW M5 X 16	5	
-	NA	COUNTERSUNK CROSS HEAD SCREW M5 X 20	2	
-	NA	CROSS HEAD SCREW M4 X 16	2	
-	SP1423191	ACS ELECTRONIC HOLDER ASSEMBLY KIT	1	
-	NA	GETO WELL NUT M5	8	
-	NA	RIVET	4	
8	1422888	CABLE BINDER 5,0x225 SCHWARZ	4	
9	1432557	GETO WELL NUT M4	2	
9	1422052	GETO WELL NUT M5	7	
10	1426351	NYLON MOULDED CRAMP	2	
11	1433332	SHARK-ELECTRONIC DK-PMA1	1	
12	1450233	Combined Lighting Actuator Board (only NL)	1	07.2005 --->

Cables

ACS-Buscables

length	ordercode
mm	
300	GSM63003
400	GSM63004
700	GSM63007
1100	GSM63011
1600	GSM63016
1900	1419386
2000	GSM63020
2600	GSM63026
2900	1423209
2950	1419367
spiral	GSM9887

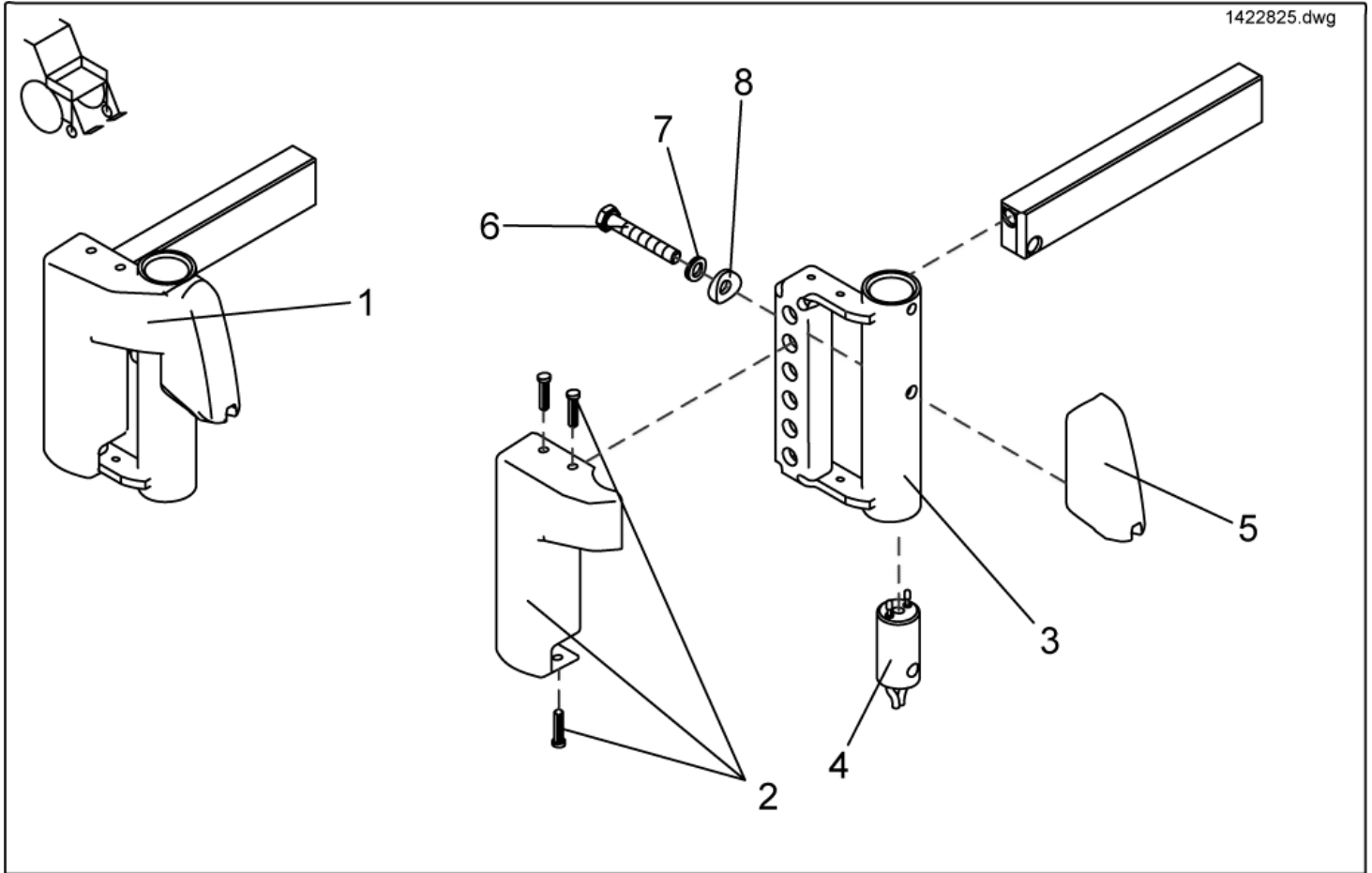
CLAM-Cables (LIGHTING/ACTUATOR MODULE COMBINED)

lights	el. legrests	el. Tilt Adjustment	el. Lift Adjustment	el. Backrest Adjustment	ordercode
X	X	X	X	X	1419390
X	X	X	-	-	1421730
X	X	X	-	X	1421729
X	X	X	X	-	1421728
24V	-	-	-	-	1419379
24V	X	X	X	X	1449432

Battery Cables

voltage	with fuse	ordercode
V		
24	-	1419370
12, 24	50A	1419369
24 (True Track)	-	1432560
24 (True Track)	80A	1432561
24 (Shark)	-	1446573
24 (Shark)	40A	1446574

Legrests, sideways mounted - Footrest receptacle



item	ordercode	description	quantity
1	SP1417917	LEG SUPPORT CARRIER LH MG HS SEAT FRAMES	1
1	SP1417918	LEG SUPPORT CARRIER RH MG HS SEAT FRAMES	1
1	SP1422825	FOOTREST SUPPORT LH F. ELECTRIC LEGREST	1
1	SP1422826	FOOTREST SUPPORT RH F. ELECTRIC LEGREST	1
2	1434961	FOOTREST SUPPORT RH F. ELECTRIC LEGREST	1
2	1434960	COVER LH WITH PINE TREE	1
3	NA	COVER RH WITH PINE TREE	1
3	NA	LEGREST RECEPTACLE LH	1
4	1415097	LEGREST RECEPTACLE RH	2
5,6,7,8	SP1423192	LEGREST CONTACT W. CABLE 700 MM	2
5	NA	LEGREST ADAPTER ASSEMBLY KIT	1
6	NA	FRAME ADAPTER (ALU)	1
7	NA	SCREW M6 X 40, DIN 933	1
8	NA	NORD-LOCK WASHER 6 MM	1

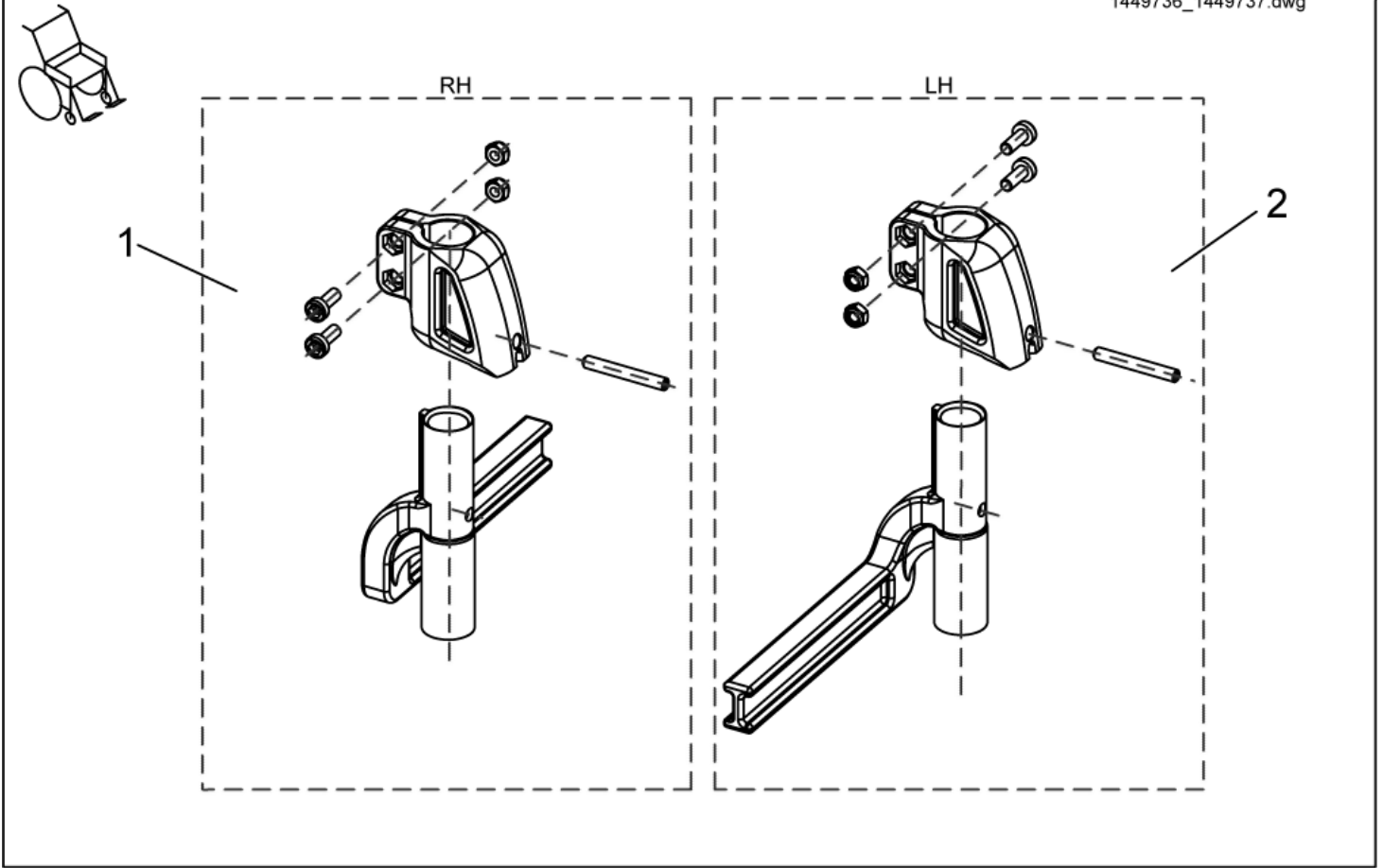
✓

Note:

The Power supply cable, ordercode 1415097 is not compatible with Footrest receptacle starting from year of construction 07/2005.

Legrests, sideways mounted - Footrest receptacle complete, manual 8cm

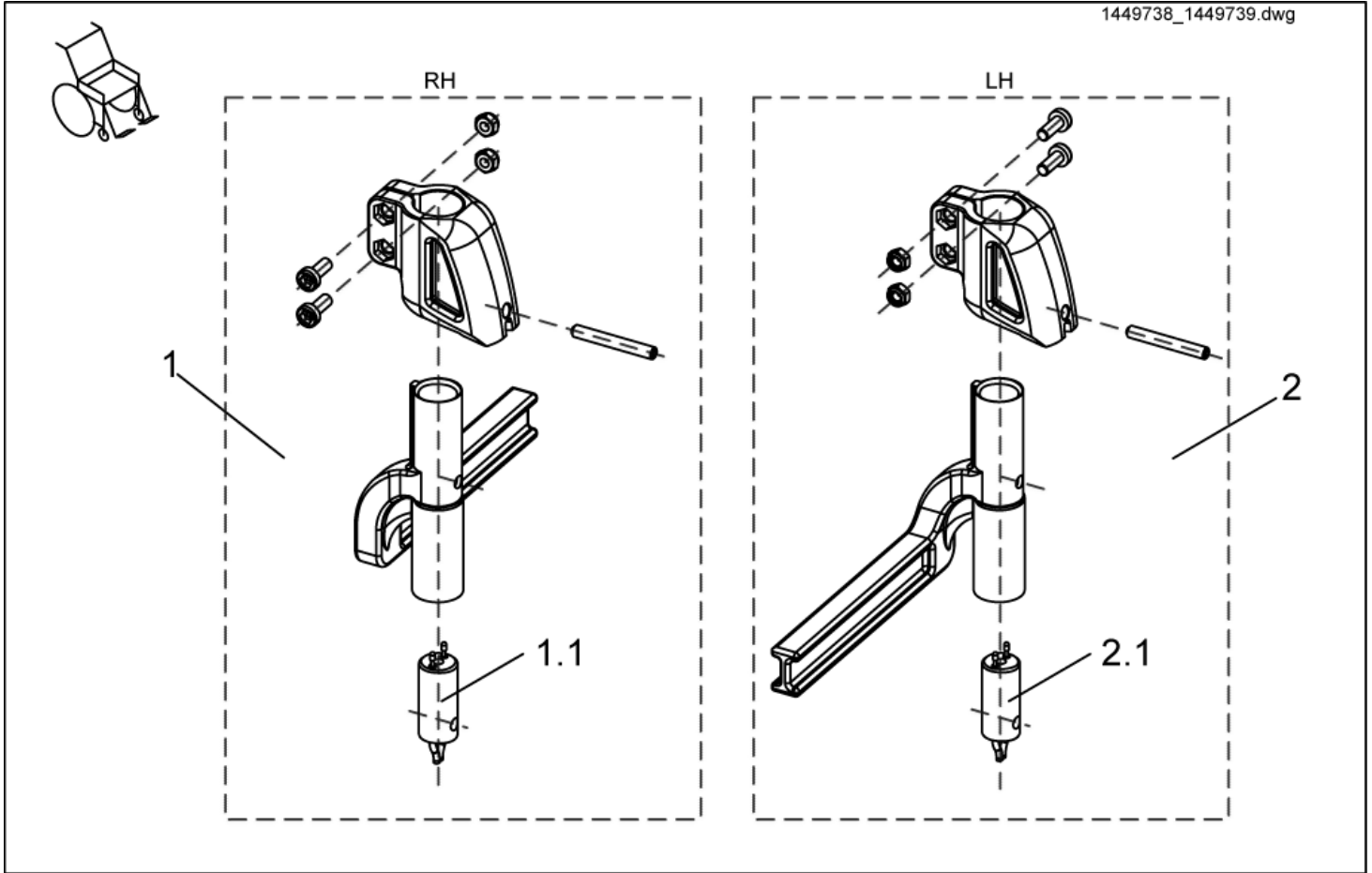
1449736_1449737.dwg



item	ordercode	description	quantity
1	SP1449736	FOOTREST RECEPTACLE COMPLETE, RH MANUAL 8CM	1
2	SP1449737	FOOTREST RECEPTACLE COMPLETE, LH MANUAL 8CM	1

Legrests, sideways mounted - Footrest receptacle cpl., electric 8cm

1449738_1449739.dwg

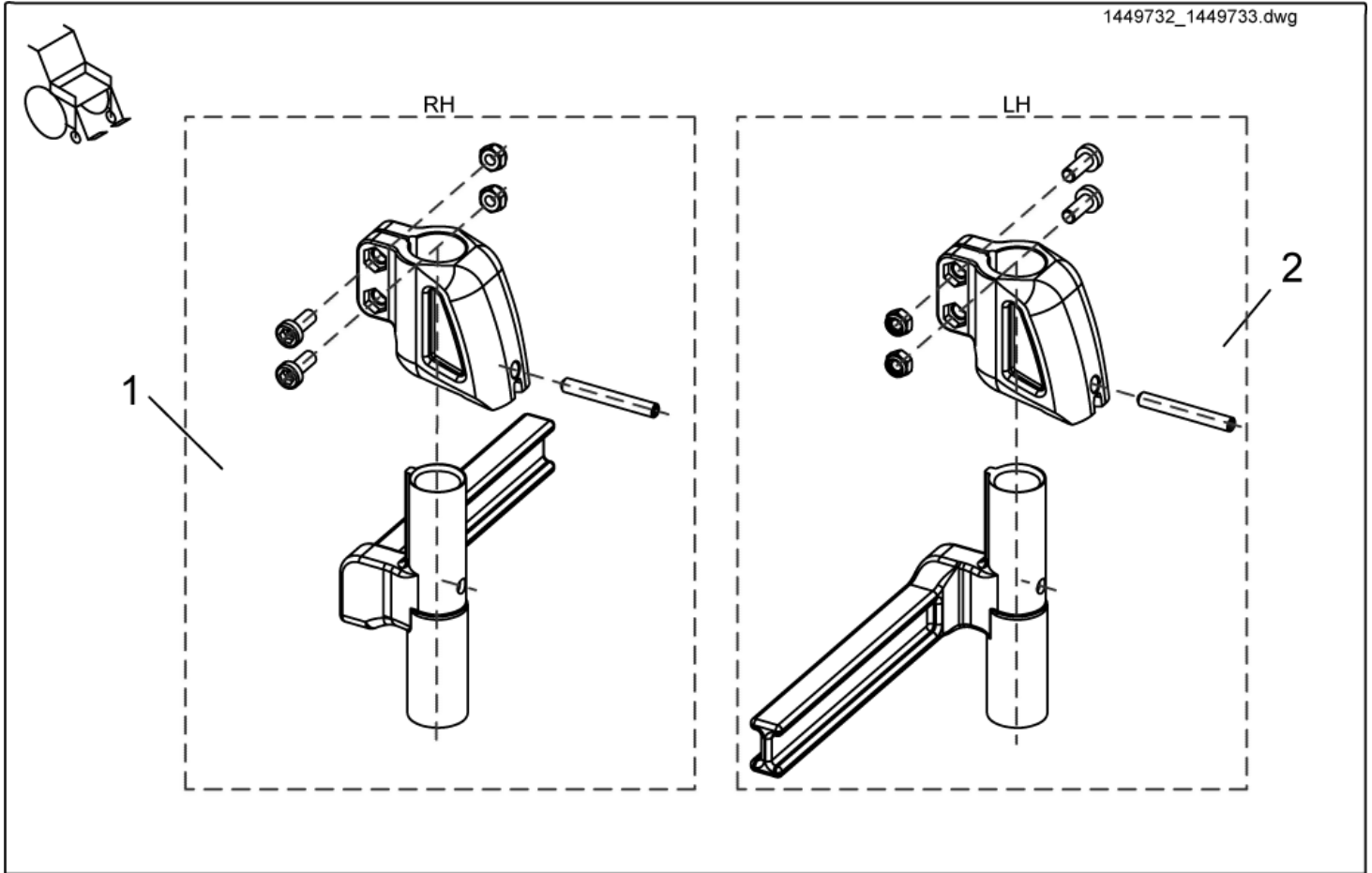


item	ordercode	description	quantity
1	SP1449738	FOOTREST RECEPTACLE CPL., RH ELECTRIC 8CM	1
1.1	1450232	POWER SUPPLY CABLE FOOTREST, SHORT (BLACK ADAPTER)	1
2	SP1449739	FOOTREST RECEPTACLE CPL., LH ELECTRIC 8CM	1
2.1	1450228	POWER SUPPLY CABLE FOOTREST, LONG (BLACK ADAPTER)	1

✓ **Note:**
 The Power supply cable, ordercode 1450228 and 1450232 are not compatible with Footrest receptacle starting from year of construction 07/2005.

Legrests, sideways mounted - Footrest receptacle, complete, manual 5cm

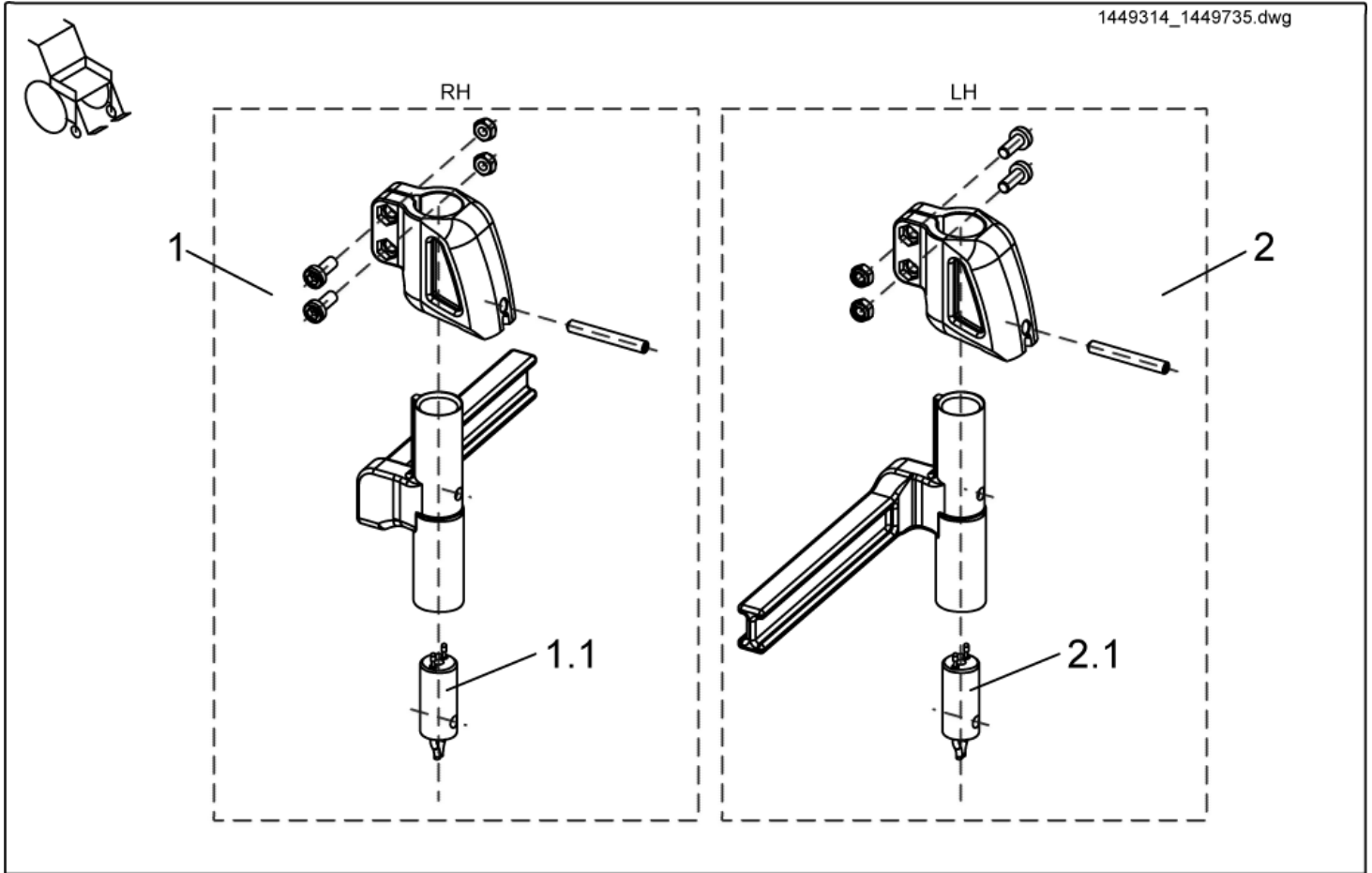
1449732_1449733.dwg



item	ordercode	description	quantity
1	SP1449732	FOOTREST RECEPTACLE, COMPLETE, MANUAL RH 5CM	1
2	SP1449733	FOOTREST RECEPTACLE, COMPLETE, MANUAL LH 5CM	1

Legrests, sideways mounted - Footrest receptacle, cpl., electric 5cm

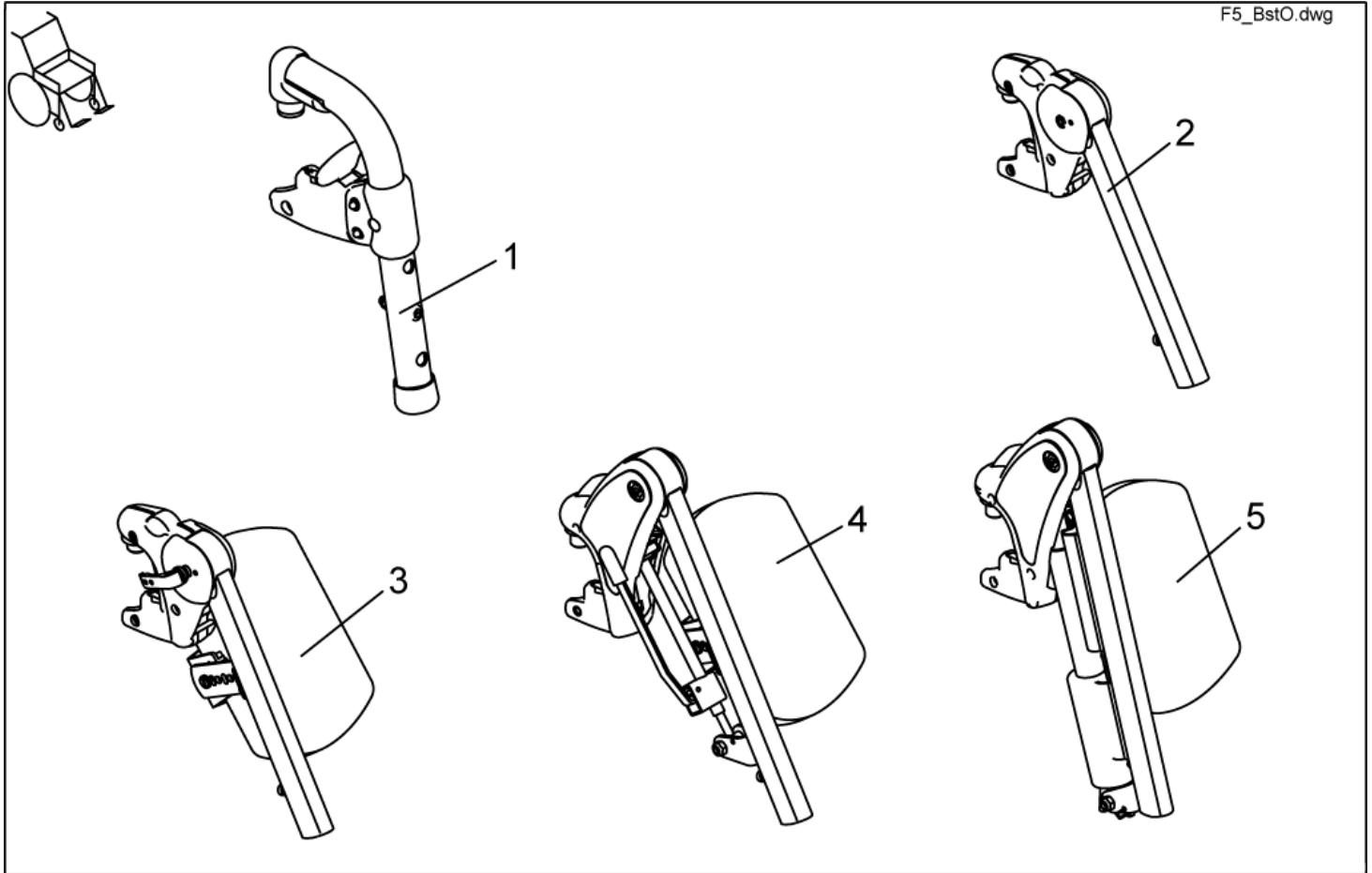
1449314_1449735.dwg



item	ordercode	description	quantity
1	SP1449314	FOOTREST RECEPTACLE, CPL., ELECTRIC RH 5CM	1
1.1	1450232	POWER SUPPLY CABLE FOOTREST, SHORT (BLACK ADAPTER)	1
2	SP1449735	FOOTREST RECEPTACLE, CPL., ELECTRIC LH 5CM	1
2.1	1450228	POWER SUPPLY CABLE FOOTREST, LONG (BLACK ADAPTER)	1

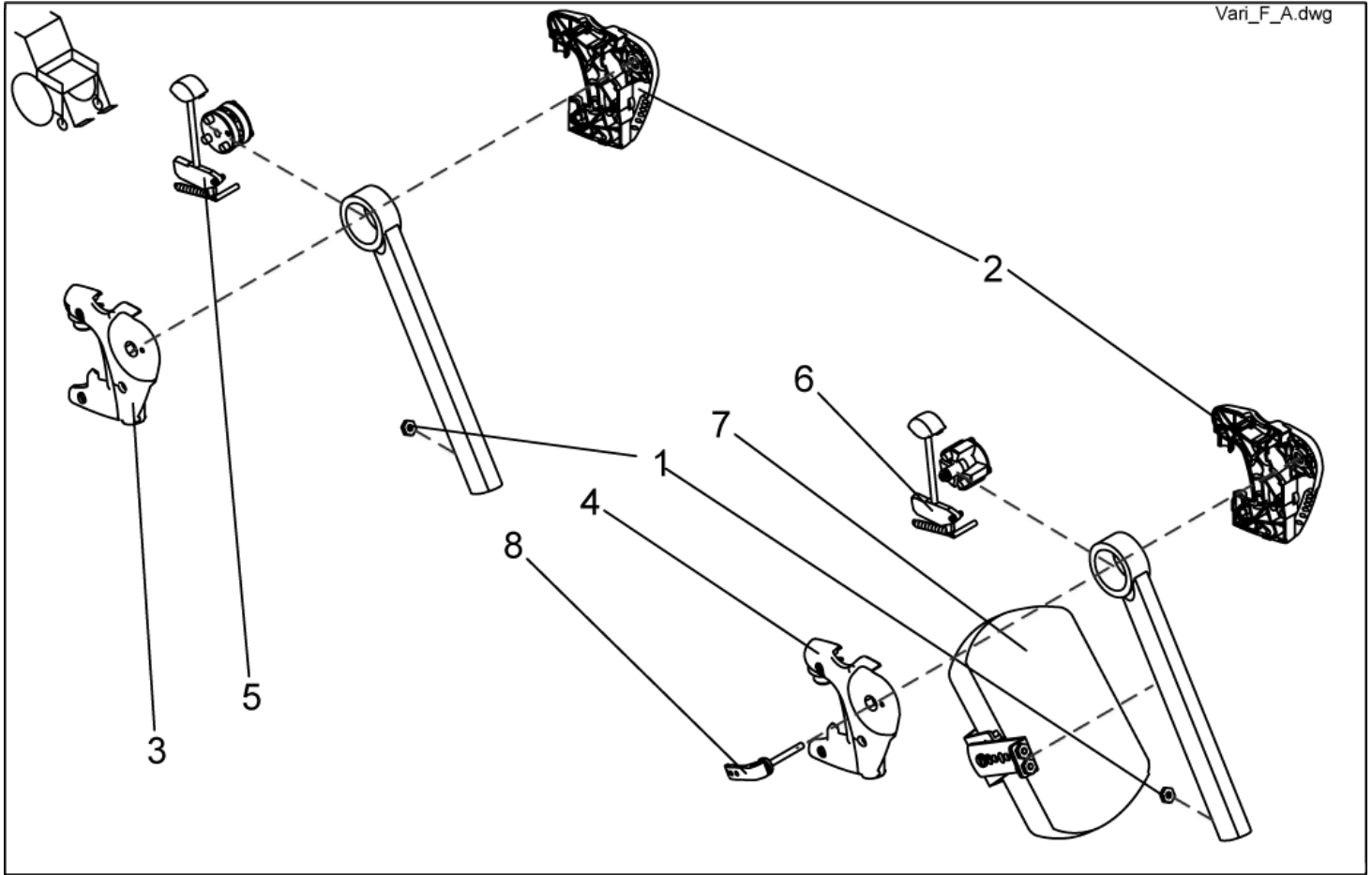
✓ **Note:**
 The Power supply cable, ordercode 1450228 and 1450232 are not compatible with Footrest receptacle starting from year of construction 07/2005.

Legrests, sideways mounted - Hanger



item	ordercode	description	quantity
1	1430117	LEGRESTS "STORM 3 EURO" CPL. (PAIR)	1
1	1430116	LEGRESTS "STORM 3 EURO" LH CPL.	1
1	1430115	LEGRESTS "STORM 3 EURO" RH CPL.	1
1	B273003.P92	HANGER STD. 80 LH CPL.; RAL 0307	1
1	B273002.P92	HANGER STD. 80 RH CPL.; RAL 0307	1
2	SP1422564	UPPER FOOTREST LH (90°-65°) CPL..	1
2	SP1422563	UPPER FOOTREST RH (90°-65°) CPL.	1
3	SP1422565	UPPER FOOTREST LH, MANUAL HEIGHT ADJUSTMENT, CPL.	1
3	SP1422566	UPPER FOOTREST RH, MANUAL HEIGHT ADJUSTMENT CPL.	1
4	SP1422568	UPPER FOOTREST LH 80°, MANUAL HEIGHT ADJUSTMENT, CPL.	1
4	SP1422567	UPPER FOOTREST T RH 80°, MANUAL HEIGHT ADJUSTMENT CPL.	1
5	SP1422570	UPPER FOOTREST LH, ELECTR. HEIGHT ADJUSTMENT, CPL.	1
5	SP1422569	UPPER FOOTREST RH, ELECTRIC HEIGHT ADJUSTMENT, CPL.	1

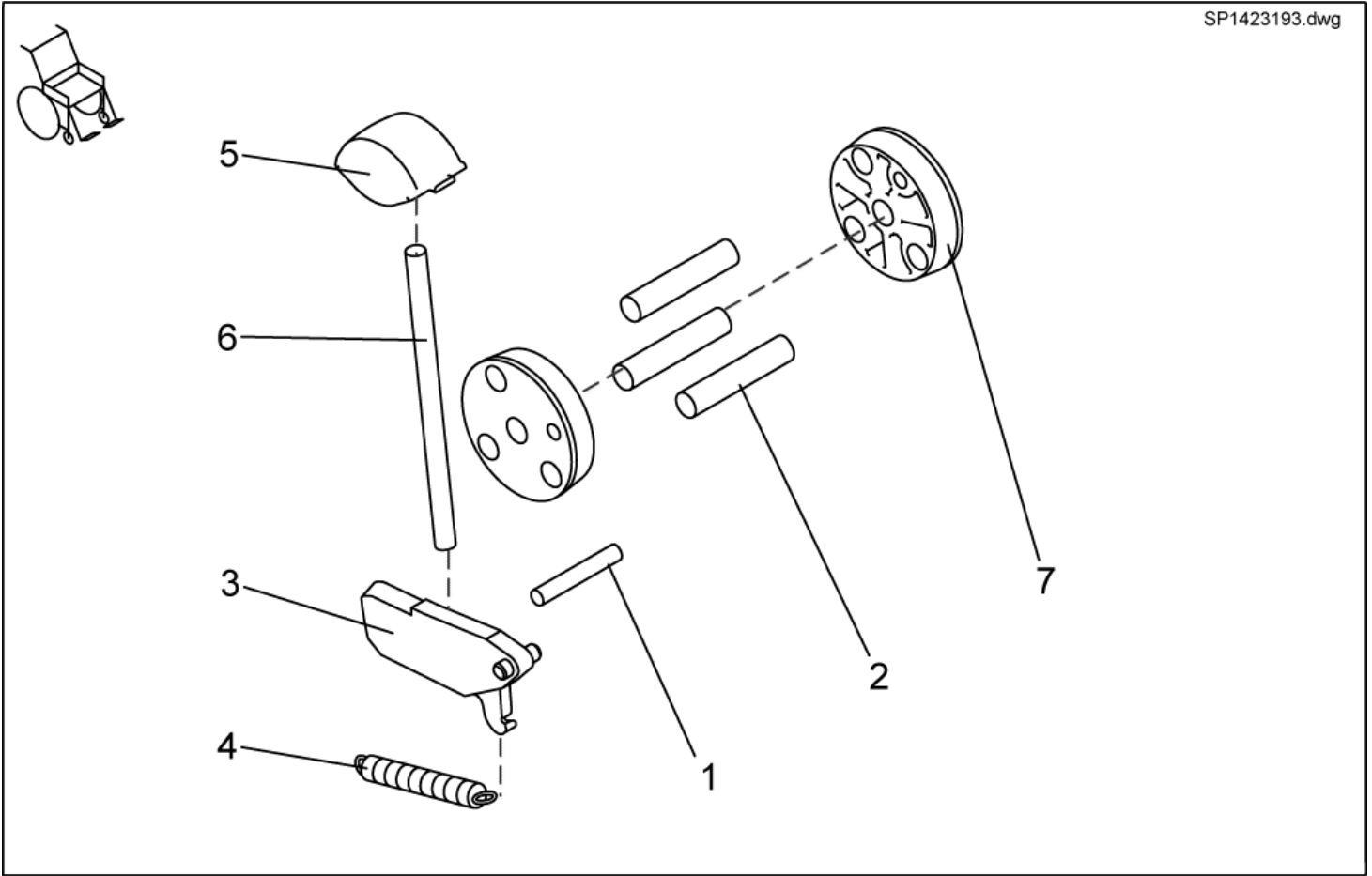
Legrests, sideways mounted - Vari F+A Detailed



item	ordercode	description	quantity
1	Z173189.99	NUT M6 SW-14	2
2	Z173181	HANGER LH	1
3	Z173182	HANGER RH	1
4	Z173194	HANGER RH	1
5	SP1423193	RELEASE UNIT ASSEMBLY KIT	2
6	SP1423194	RELEASE UNIT ASSEMBLY KIT F. LEGREST W. MAN. HEIGHT ADJUSTMENT	2
7	SPZ174163	CALF SUPPORT (VARI A) CPL.	2
7	6301333	CALF SUPPORT	2
8	L32906	CLAMPING LEVER M6	2

Legrests, sideways mounted - Release unit assembly kit

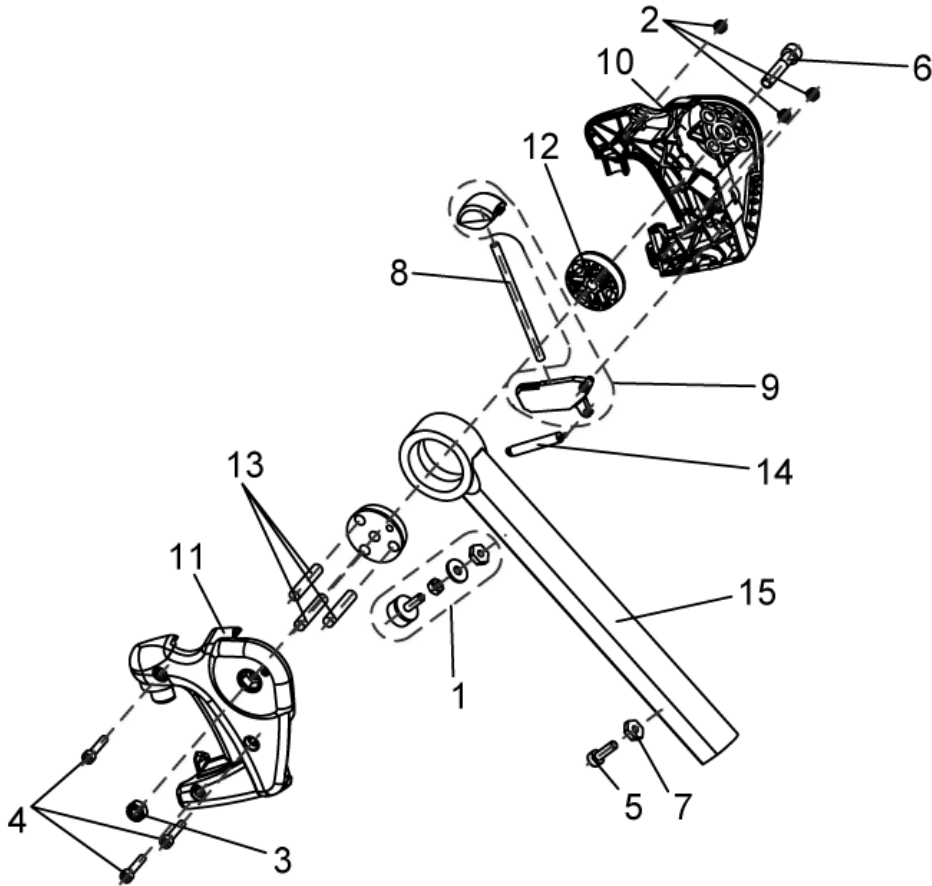
SP1423193.dwg



item	ordercode	description	quantity
1,2,3,4,5,6,7	SP1423193	RELEASE UNIT ASSEMBLY KIT	2
1	NA	DOWEL RD. 5 X 32; DIN-7	1
2	NA	DOWEL RD. 8 X 40; DIN-7	3
3	NA	LOCK LEVER	1
4	NA	SPRING	1
5	NA	RELEASE KNOB	1
6	NA	PUSH ROD	1
7	NA	CONED WASHER	2

Legrests, sideways mounted - Upper Vari F, right

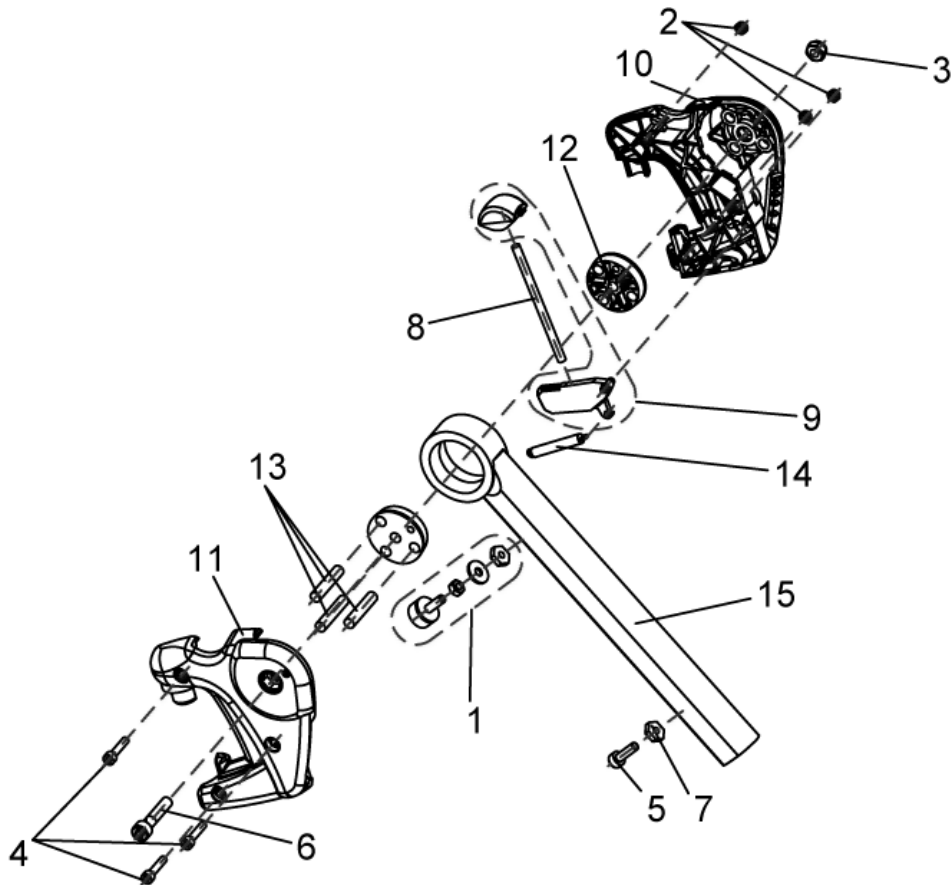
1449346.dwg



item	ordercode	description	quantity
-	SP1449346	UPPER VARI F, RH COMPLETE	1
1	1449154	RUBBER STOP COMPLETE, VARI A / VARI F	1
2	NA	NYLOC NUT M5	3
3	NA	NYLOC NUT M8	1
4	NA	SOCKET HEAD CAP SCREW M5 X 25	3
5	NA	SOCKET HEAD CAP SCREW M6 X 20	1
6	NA	SOCKET HEAD CAP SCREW M8 X 40	1
7	Z173189.99	NUT M6 SW-14	1
8	NA	PUSH ROD	1
9	1449167	RELEASE BUTTON + LOCK LEVER	1
10	Z173181	HANGER LH	1
11	Z173182	HANGER RH	1
12	Z173188	CONED WASHER	1
13	NA	"ZYLINDERSTIFT RD. 8 X 40; DIN-7"	3
14	Z173178	SPRING	1
15	Z173185-9005	UPPER FOOTREST RH (90-65°)	1

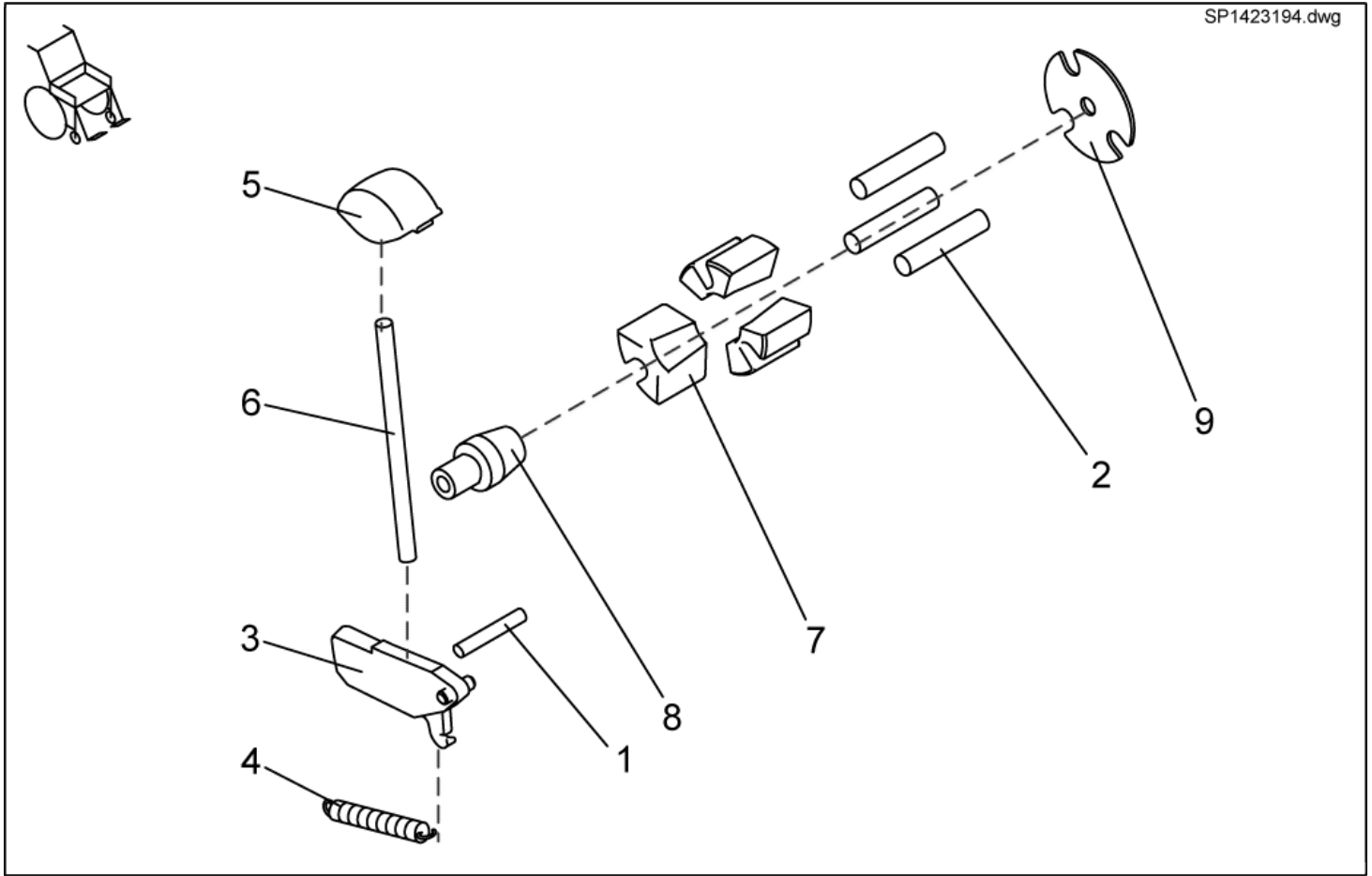
Legrests, sideways mounted - Upper Vari F, left

1449347.dwg



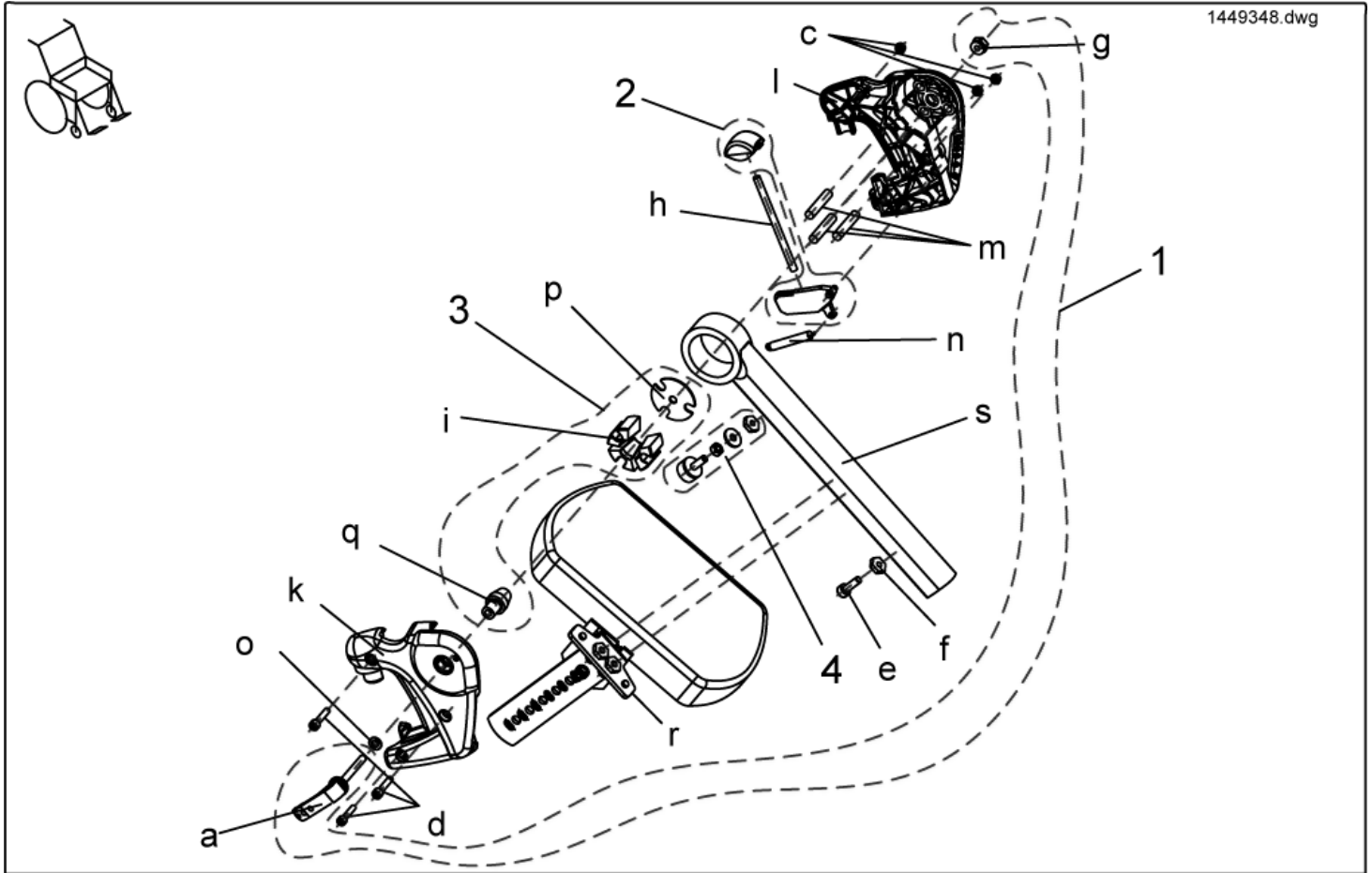
item	ordercode	description	quantity
-	SP1449347	UPPER VARI F, LH COMPLETE	1
1	1449154	RUBBER STOP COMPLETE, VARI A / VARI F	1
2	NA	NYLOC NUT M5	3
3	NA	NYLOC NUT M8	1
4	NA	SOCKET HEAD CAP SCREW M5 X 25	3
5	NA	SOCKET HEAD CAP SCREW M6 X 20	1
6	NA	SOCKET HEAD CAP SCREW M8 X 40	1
7	Z173189.99	M6 NUT, WIDTH ACROSS FLAT 14	2
8	NA	PUSH ROD	1
9	1449167	RELEASE BUTTON + LOCK LEVER	1
10	Z173181	HANGER LH	1
11	Z173182	HANGER RH	1
12	Z173188	CONED WASHER	2
13	NA	"DOWEL RD. 8 X 40; DIN-7"	3
14	Z173178	SPRING	1
15	Z173185-9005	UPPER FOOTREST RH (90-65°)	1

Legrests, sideways mounted - Release unit assembly kit f. legrest w. man. height adjustment



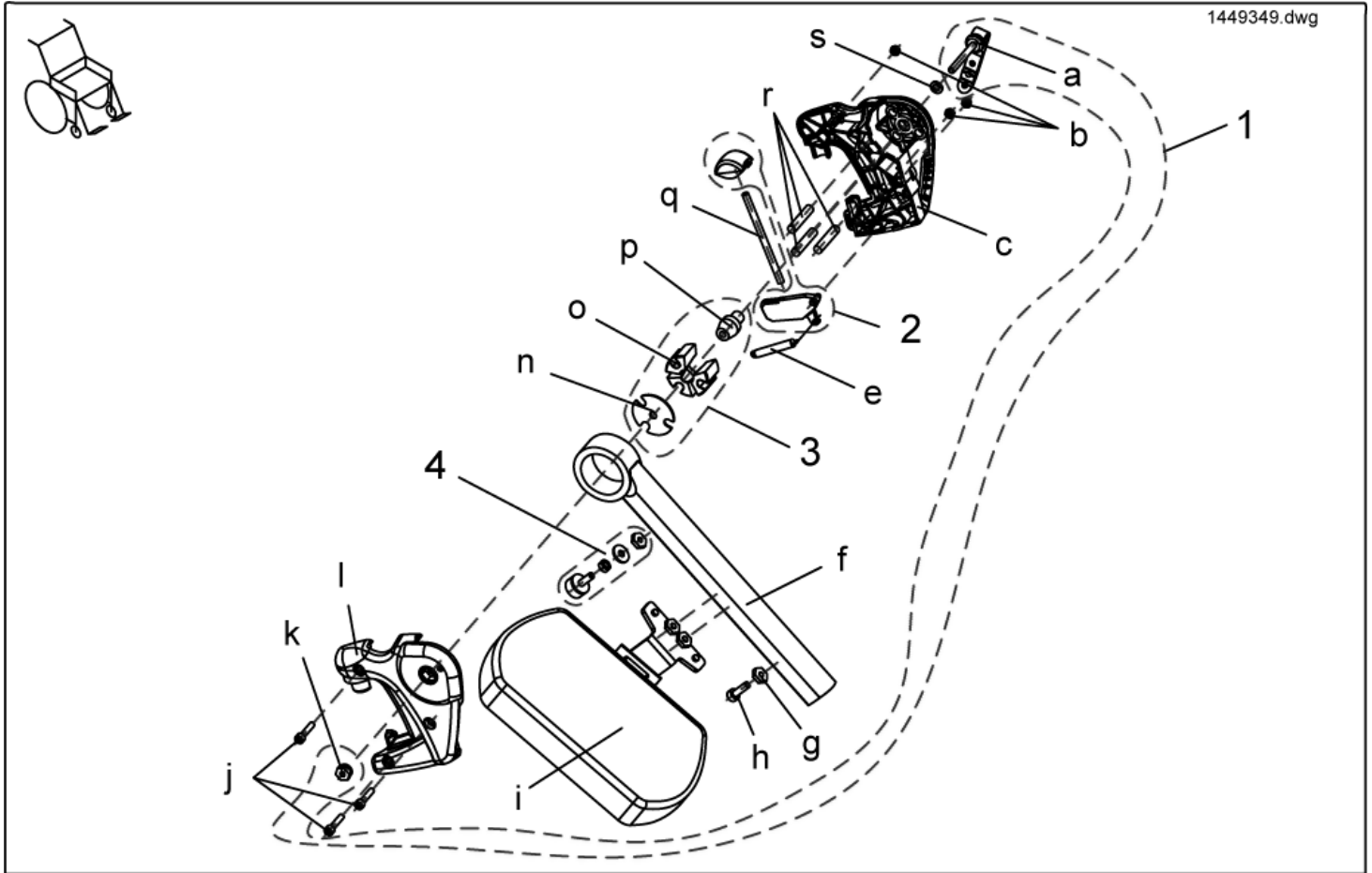
item	ordercode	description	quantity
1,2,3,4,5,6,7,8,9	SP1423194	RELEASE UNIT ASSEMBLY KIT F. LEGREST W. MAN. HEIGHT ADJUSTMENT	2
1	NA	DOWEL RD. 5 X 32; DIN-7	1
2	NA	DOWEL RD. 8 X 40; DIN-7	3
3	NA	LOCK LEVER	1
4	NA	SPRING	1
5	NA	RELEASE KNOB	1
6	NA	PUSH ROD	1
7	NA	CLAMP BLOCK	3
8	NA	CONE	1
9	NA	LOCATING WASHER	1

Legrests, sideways mounted - Upper Vari A complete, right



item	ordercode	description	quantity
-	SP1449348	Upper Vari A complete, RH	1
1	1450597	Assembly kit, Vari A release handle	1
2	1449167	Assembly kit, release button + lock lever	1
3	1450598	Assembly kit, Vari A , clamping block	1
4	1449154	Assembly kit, rubber stop complete, Vari A/Vari F	1
a	NA	CLAMP LEVER M6 X 25	1
c	NA	NYLOC NUT M5	3
d	NA	SOCKET HEAD CAP SCREW M5 X 25	3
e	NA	SOCKET HEAD CAP SCREW M6 X 20	1
f	NA	NUT M6 SW-14	1
g	NA	NUT M6 SW-13	1
h	NA	PUSH ROD	1
i	NA	CLAMP BLOCK	1
k	NA	Hanger, RH	1
l	NA	Hanger, LH	1
m	NA	"DOWEL RD. 8 X 40; DIN-7"	3
n	NA	SPRING	1
o	NA	WASHER 6,4 X 12,5 X 1,6	1
p	NA	LOCATING WASHER	1
q	NA	CONE	1
r	NA	Calf plate bracket RH, swivelling	1
s	NA	Upper footrest Vari A	1

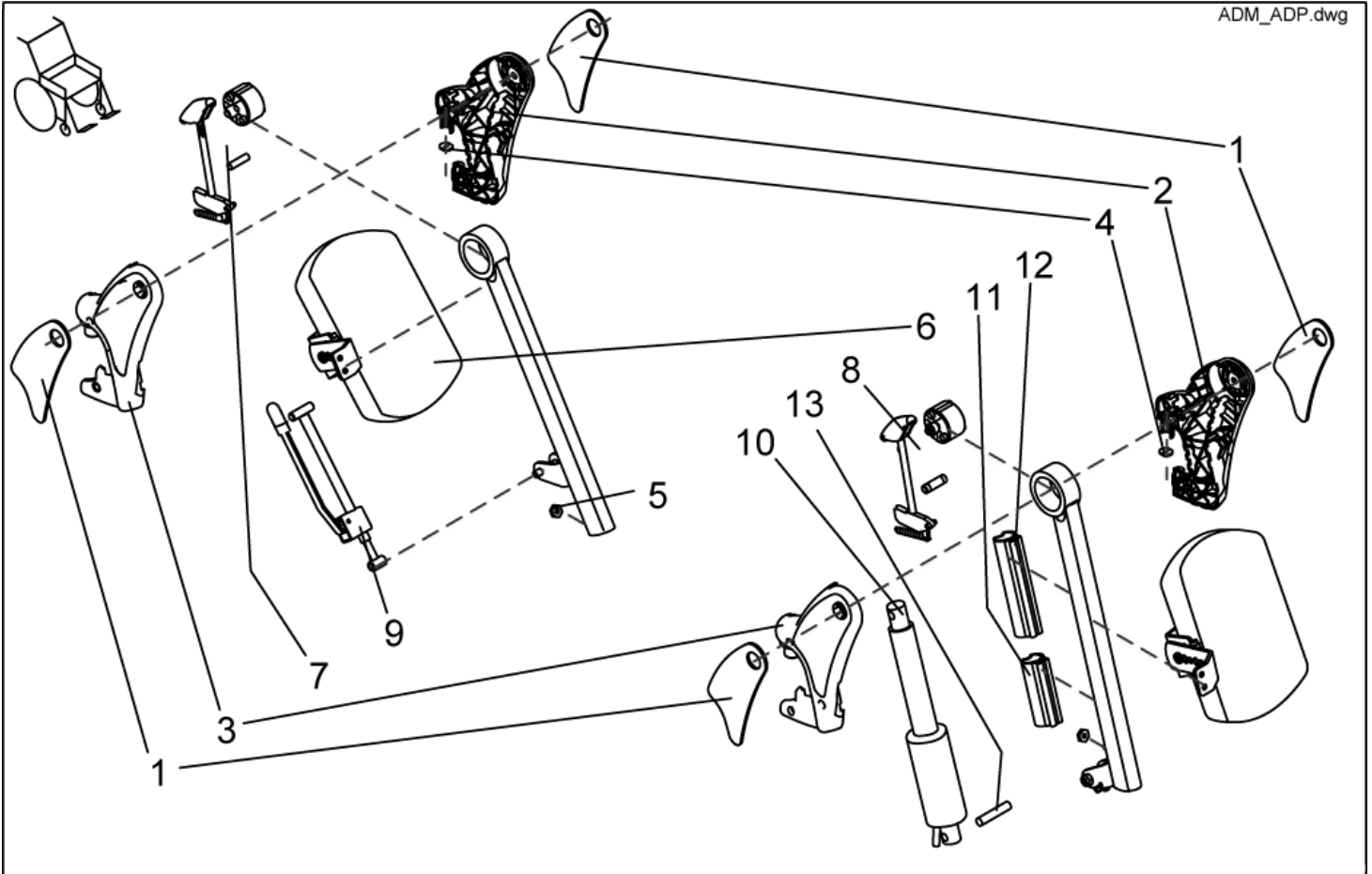
Legrests, sideways mounted - Upper Vari A complete, left



item	ordercode	description	quantity
-	SP1449349	Upper Vari A complete, LH	1
1	1450597	Assembly kit, Vari A release handle	1
2	1449167	Assembly kit, release button + lock lever	1
3	1450598	Assembly kit, Vari A clamping block	1
4	1449154	Assembly kit, rubber stop complete, Vari A / Vari F	1
a	NA	CLAMPING LEVER M6	1
b	NA	NYLOC NUT M5	3
c	NA	HANGER LH	1
e	NA	SPRING	1
f	NA	UPPER FOOTREST RH, MANUAL HEIGHT ADJUSTMENT	1
g	NA	NUT M6 SW-14	2
h	NA	SOCKET HEAD CAP SCREW M6 X 20	1
i	NA	Calf plate bracket, LH, swivelling	1
j	NA	SOCKET HEAD CAP SCREW M5 X 25	3
k	NA	NUT M6 SW-13	1
l	NA	HANGER RH	1
n	NA	LOCATING WASHER	1
o	NA	CLAMP BLOCK	3
p	NA	CONE	1
q	NA	PUSH ROD	1
r	NA	"DOWEL RD. 8 X 40; DIN-7"	1
s	NA	WASHER 6,4 X 12,5 X 1,6	1

Legrests, sideways mounted - ADM + ADP Detailed

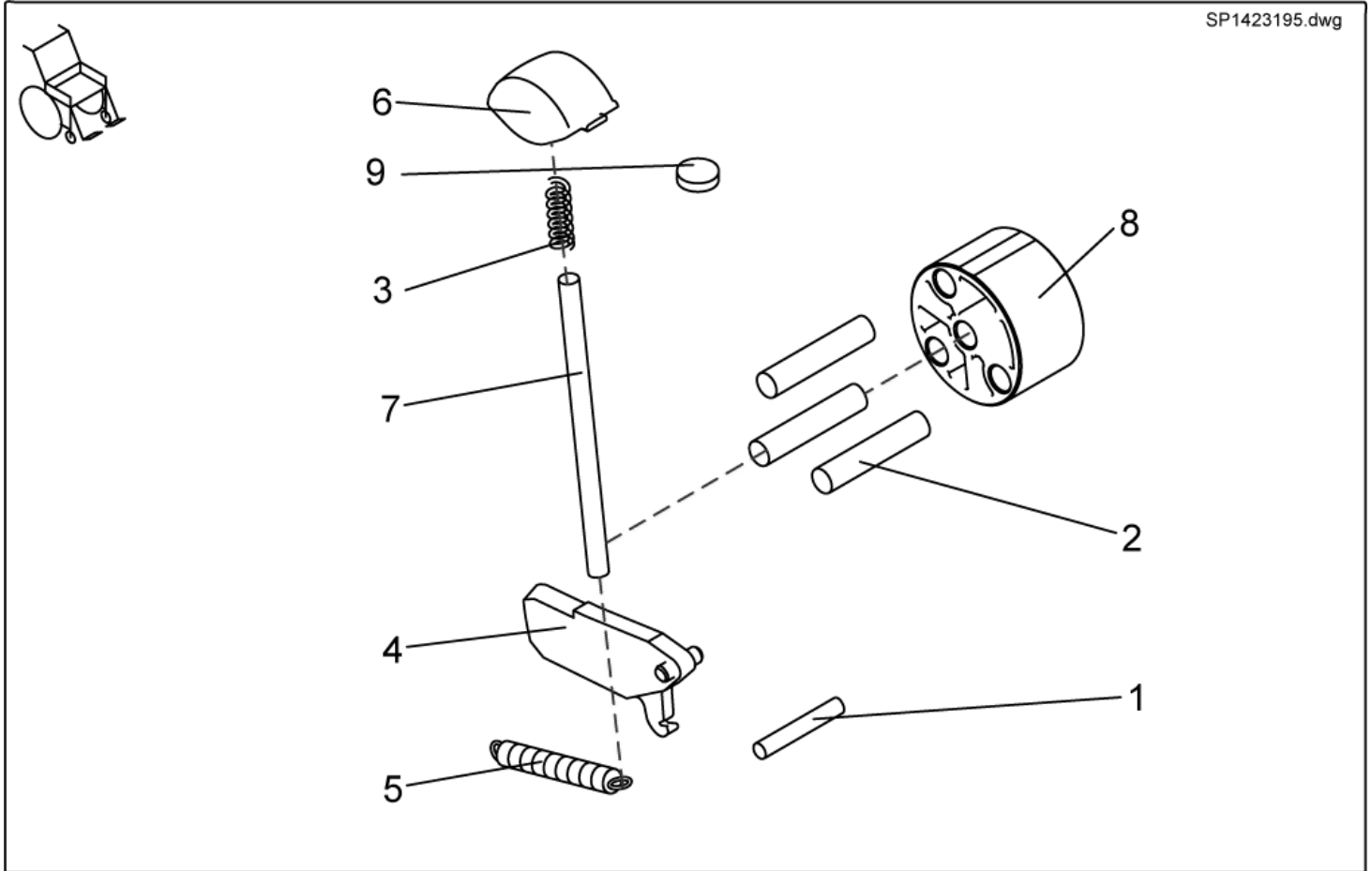
ADM_ADP.dwg



item	ordercode	description	quantity
1	1435024	KNEE PAD ADM (PAIR LH/RH)	2
2	Z174111	HANGER (AD) LH	1
3	Z174110	HANGER (AD) RH	1
4	Z174139	ADP-PLATE	2
5	Z173189.99	NUT M6 SW-14	6
6	SPZ174164	CALF SUPPORT ASSY (VARI AD)	2
6	6301333	CALF SUPPORT	2
7	SP1423195	RELEASE UNIT ASSEMBLY KIT F. LEGREST 80° W. MAN. HEIGHT ADJUSTMENT	2
8	SP1423201	RELEASE UNIT ASSEMBLY KIT F. LEGREST W. ELECTR. HEIGHT ADJUSTMENT	2
9	SPZ174130	ADM ADJUSTMENT MECHANISM CPL.	2
10	SPZ151006	ACTUATOR ASSY	2
11	Z174174	LOWER GUARD	2
12	Z174175	UPPER GUARD	2
13	4000665-0002	SPACER BUSH 10X1X22,5	2

Legrests, sideways mounted - Release unit assembly kit f. legrest 80° w. man. height adjustment

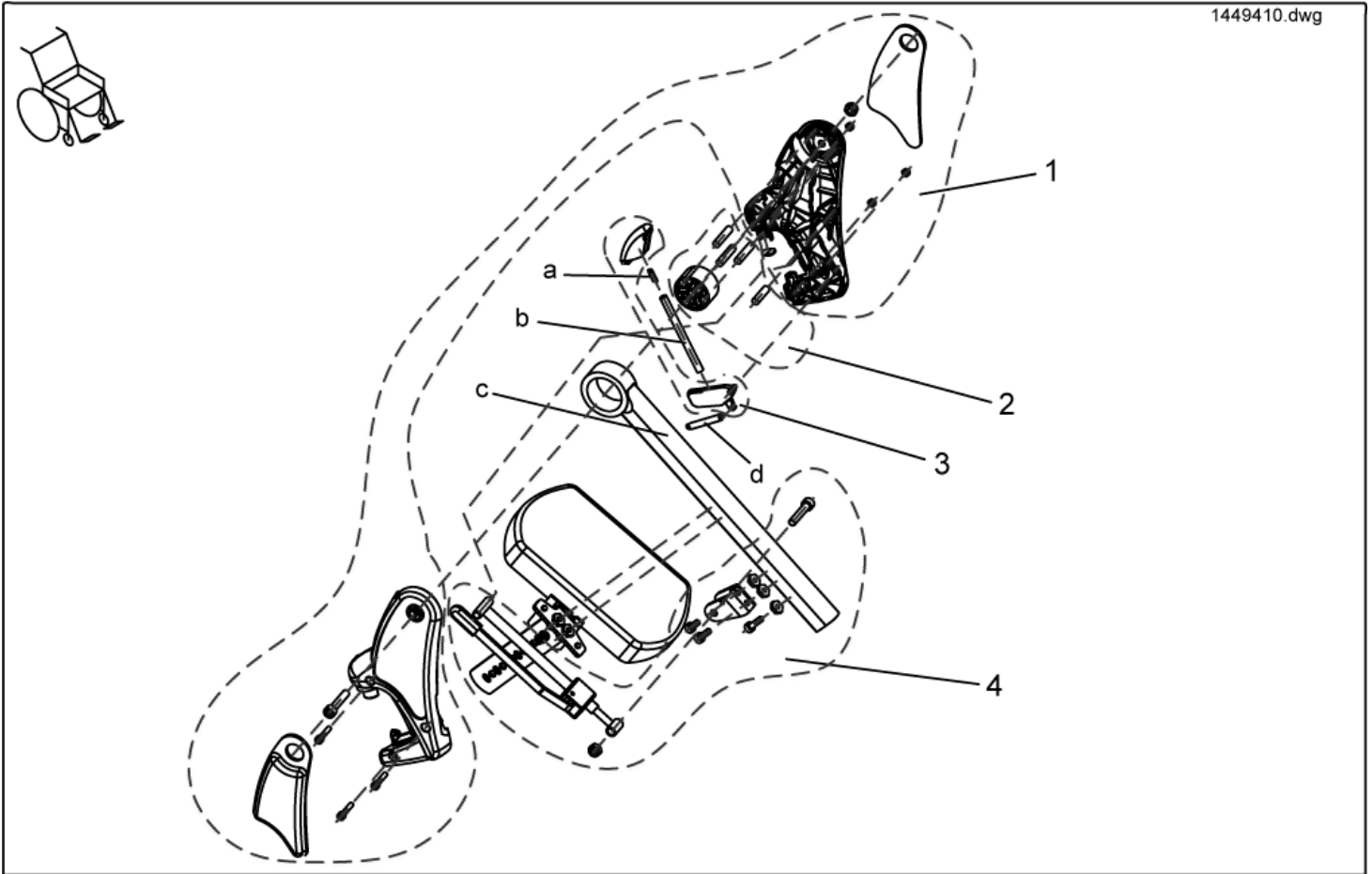
SP1423195.dwg



item	ordercode	description	quantity
1,2,3,4,5,6,7,8,9	SP1423195	RELEASE UNIT ASSEMBLY KIT F. LEGREST 80° W. MAN. HEIGHT ADJUSTMENT	2
1	NA	DOWEL RD. 8 X 30, DIN-7	1
2	NA	DOWEL RD. 8 X 36, DIN-7	3
3	NA	COMPRESSION SPRING	1
4	NA	LOCK LEVER	1
5	NA	SPRING	1
6	NA	RELEASE LEVER (AD)	1
7	NA	PUSH ROD	1
8	NA	SLIDING BUSH	1
9	Z174139	ADP-PLATE	1

Legrests, sideways mounted - Complete upper ADM, right

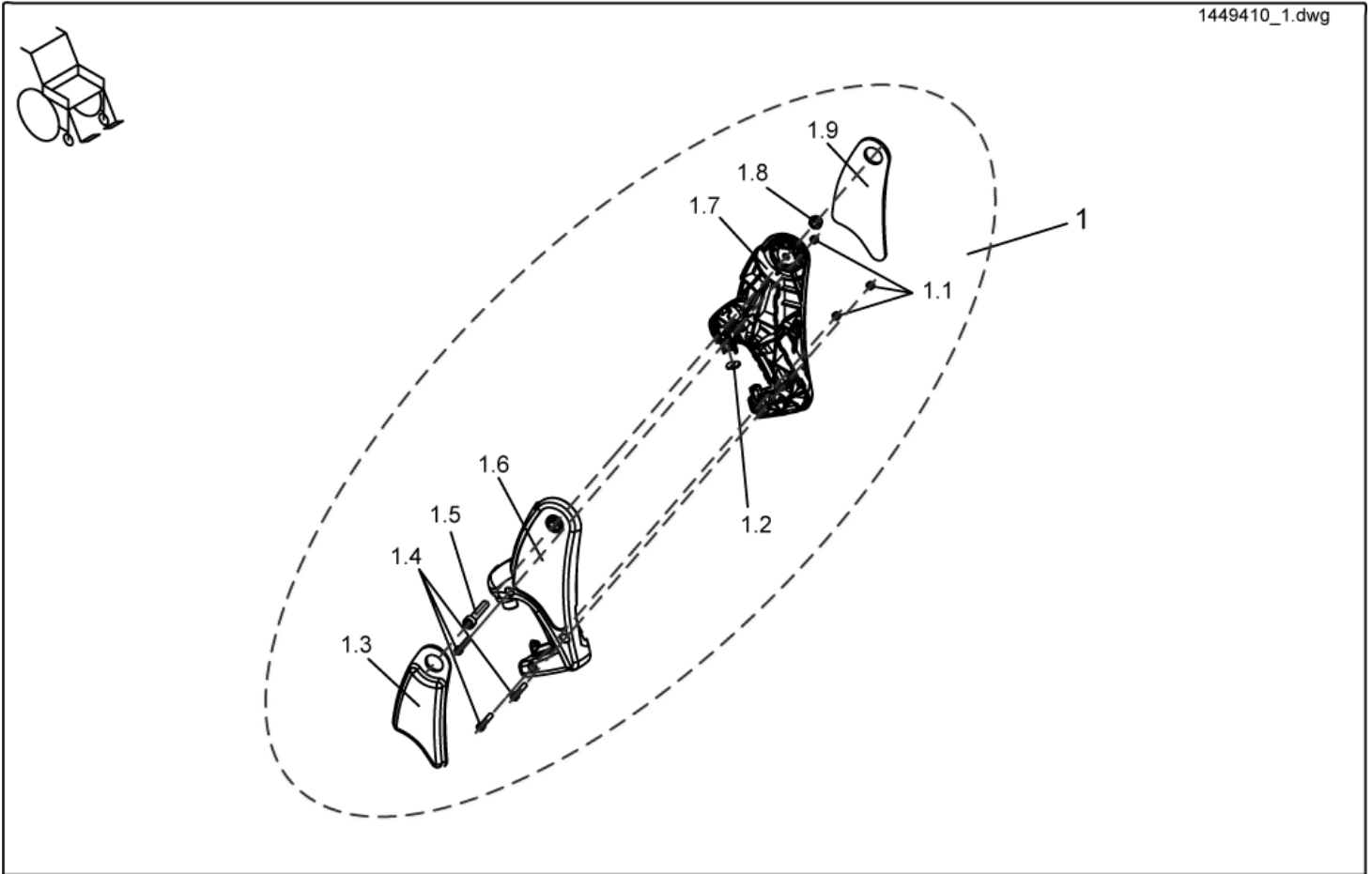
1449410.dwg



item	ordercode	description	quantity
-	SP1449410	Complete upper ADM, RH	1
1	NA	">>>see details on "assembly kit, hangers"	1
2	NA	">>>see details on ""assembly kit, sliding bush"	1
3	NA	">>>see details on "trip lever + lock lever"	1
4	NA	">>>see details on "assembly kit, ADM adjustment"	1
a	NA	COMPRESSION SPRING	1
b	NA	PUSH ROD	1
c	Z173207-9005	UPPER FOOTREST T RH 80°, MANUAL HEIGHT ADJUSTMENT	1
d	NA	SPRING	1

Legrests, sideways mounted - Assembly kit, ADM hangers

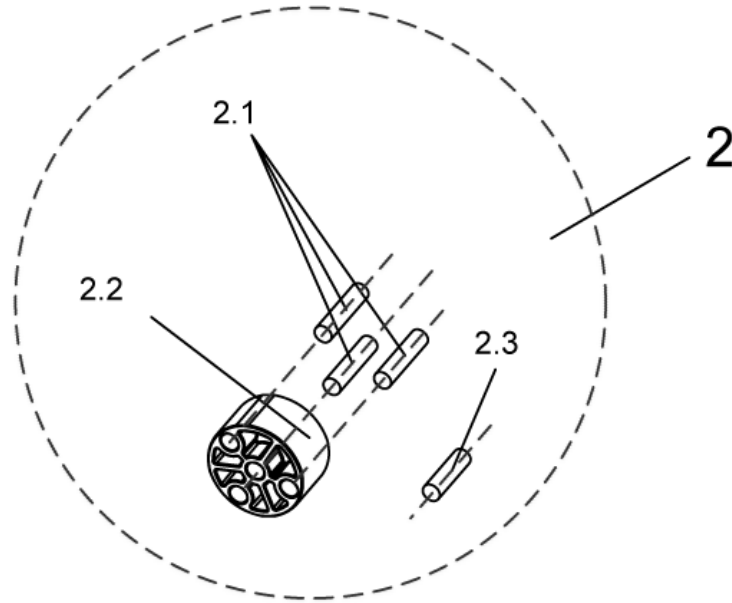
1449410_1.dwg



item	ordercode	description	quantity
1	1485604	Assembly kit, ADM hangers	1
1.1	NA	NYLOC NUT M5	3
1.2	NA	ADP-PLATE	1
1.3	1450448	Knee cushion, RH	1
1.4	NA	SOCKET HEAD CAP SCREW M5 X 25	3
1.5	NA	SOCKET HEAD CAP SCREW M8 X 40	2
1.6	NA	Hanger, RH	1
1.7	NA	Hanger, LH	1
1.8	NA	NYLOC NUT M8	2
1.9	1450410	Knee cushion, LH	1

Legrests, sideways mounted - Assembly kit, ADM sliding bush

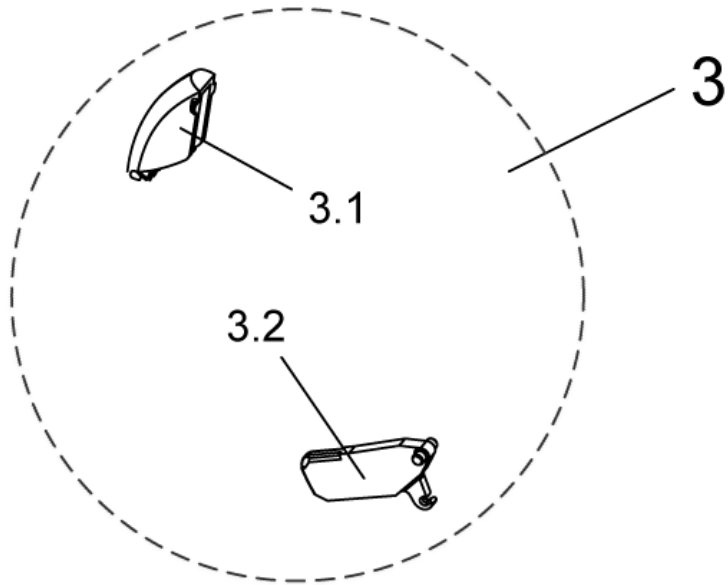
1449410_2.dwg



item	ordercode	description	quantity
2	1485605	Assembly kit, ADM sliding bush	1
2.1	NA	DOWEL RD. 8 X 36, DIN-7	3
2.2	NA	SLIDING BUSH	1
2.3	NA	DOWEL RD. 8 X 30, DIN-7	1

Legrests, sideways mounted - Assembly kit, Trip lever + lock lever

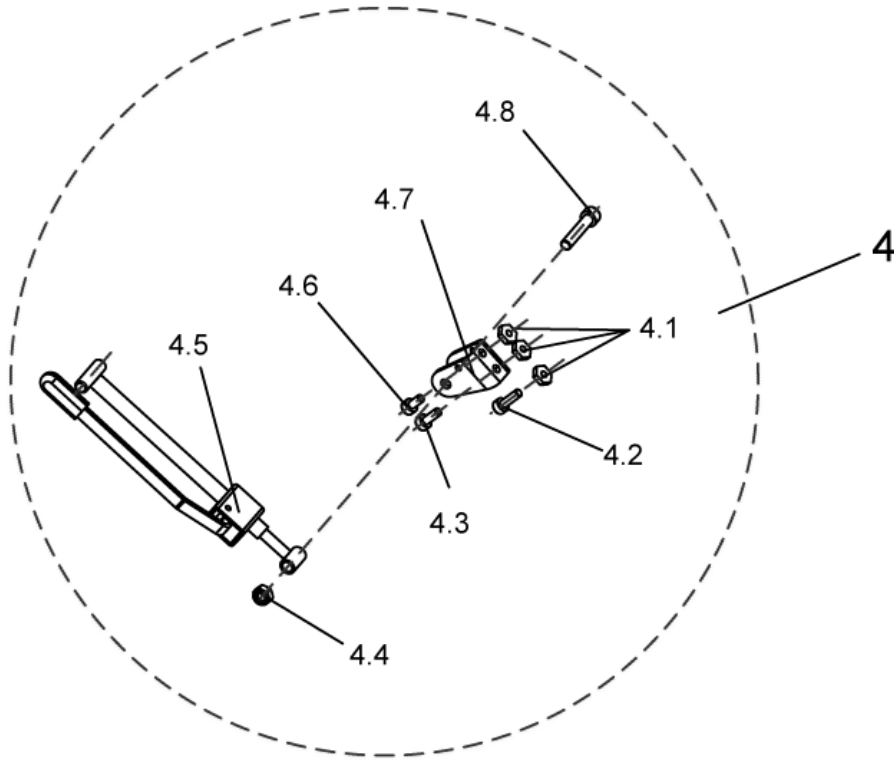
1449410_3.dwg



item	ordercode	description	quantity
3	1449155	Trip lever + lock lever	1
3.1	NA	Trip lever	1
3.2	NA	Lock lever	1

Legrests, sideways mounted - Assembly kit, ADM adjustment

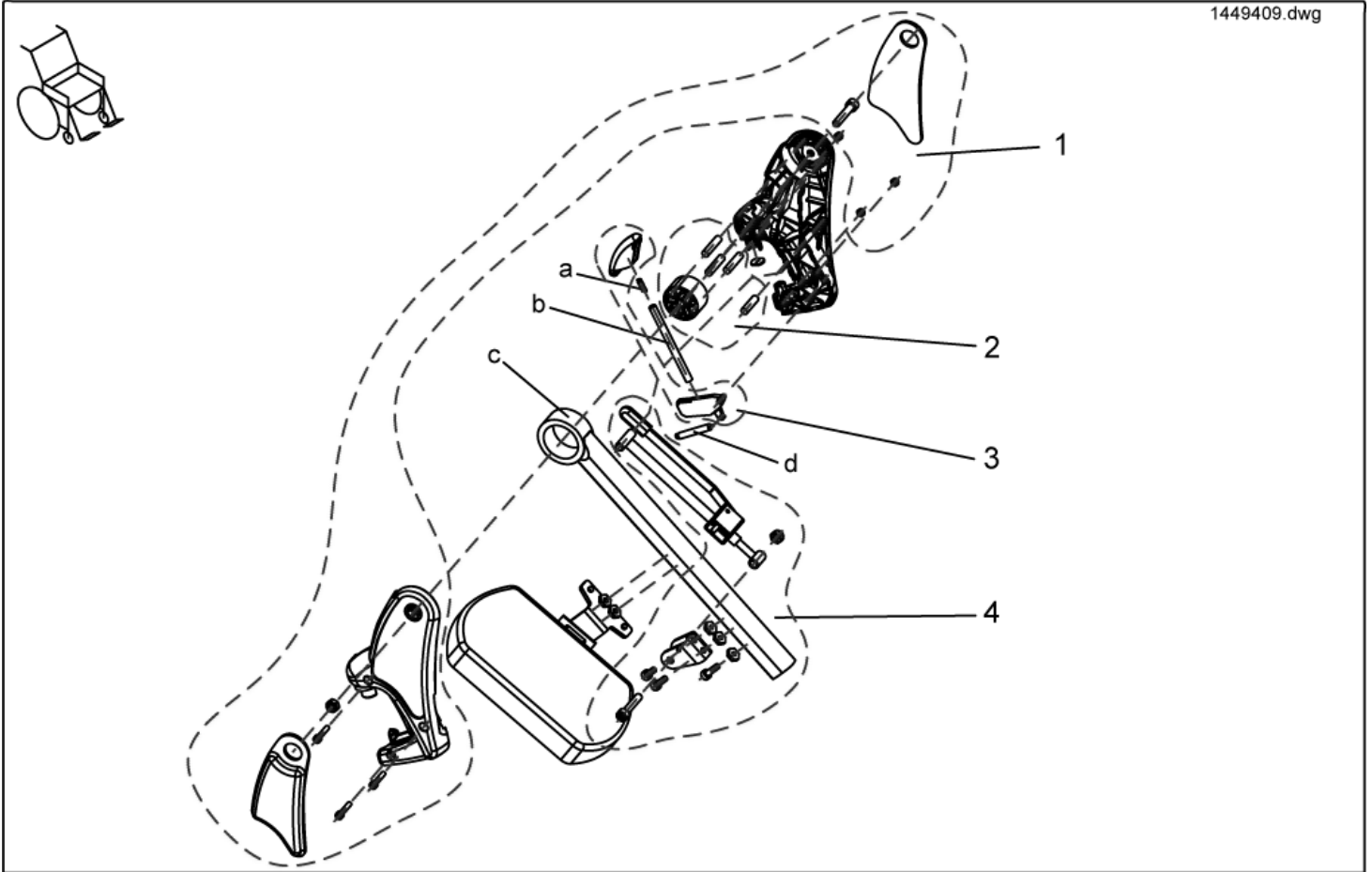
1449410_4.dwg



item	ordercode	description	quantity
4	1485606	Assembly kit, ADM adjustment	1
4.1	NA	NUT M6 SW-14	3
4.2	NA	SOCKET HEAD CAP SCREW M6 X 20	1
4.3	NA	SOCKET HEAD CAP SCREW M6 X 16	1
4.4	NA	NYLOC NUT M8	2
4.5	NA	ADM ADJUSTMENT MECHANISM CPL.	1
4.6	NA	SOCKET HEAD CAP SCREW M6 X 12	1
4.7	NA	ACTUATOR MOUNT	1
4.8	NA	SOCKET HEAD CAP SCREW M8 X 40	2

Legrests, sideways mounted - Complete upper ADM, left

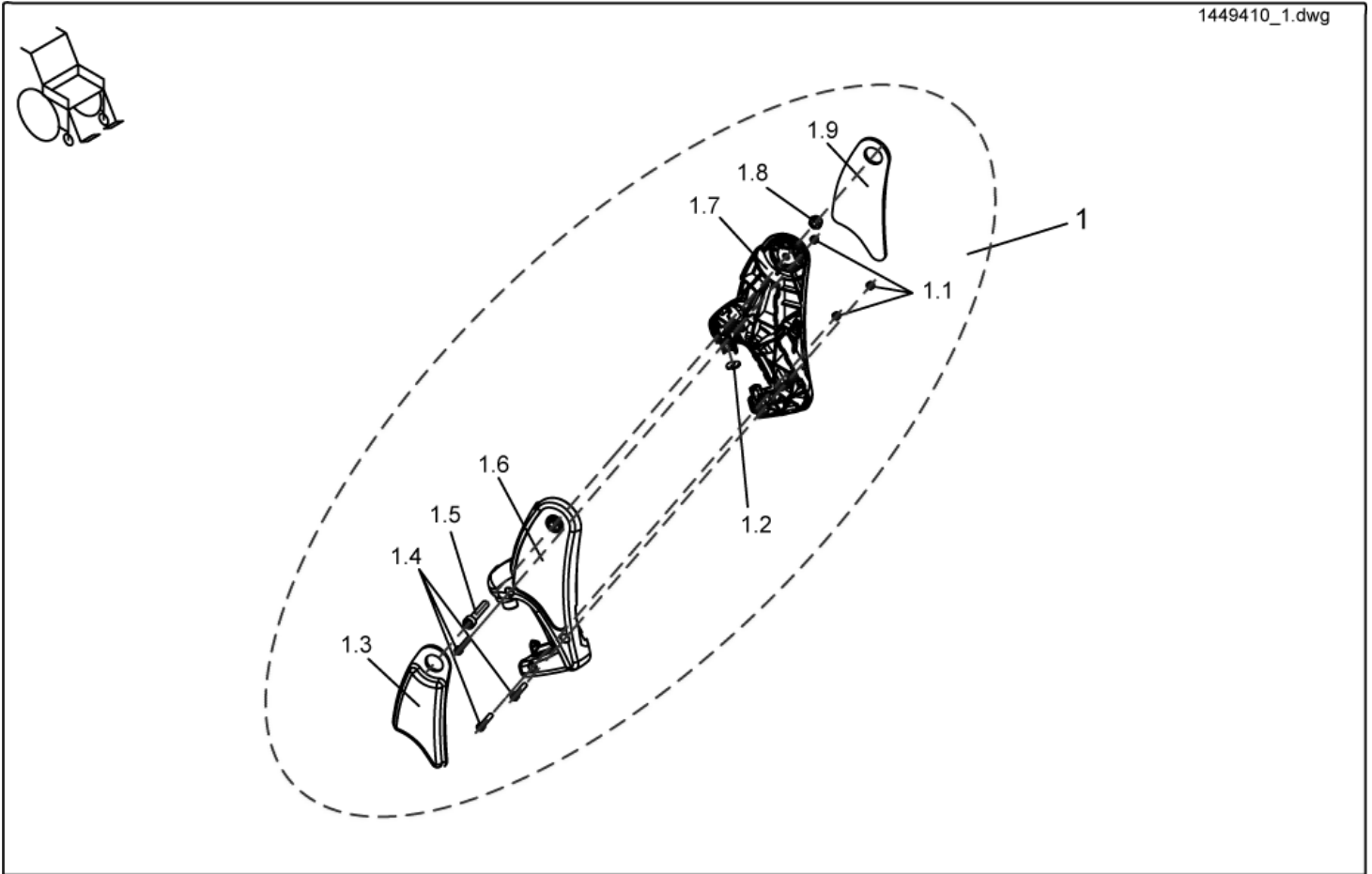
1449409.dwg



item	ordercode	description	quantity
-	SP1449409	Complete upper ADM, LH	1
1	NA	">>>see details on ""assembly kit, hangers"" "	
2	NA	">>>see details on ""assembly kit, sliding bush"" "	
3	NA	">>>see details on trip lever + lock lever """"	
4	NA	">>>see details on ""assembly kit, ADM adjustment""""	
a	N12196	COMPRESSION SPRING	1
b	Z174113.99	BARRE DE FERMETURE	1
c	NA	UPPER FOOTREST T RH 80°, MANUAL HEIGHT ADJUSTMENT	1
d	Z173178	SPRING	1

Legrests, sideways mounted - Assembly kit, ADM hangers

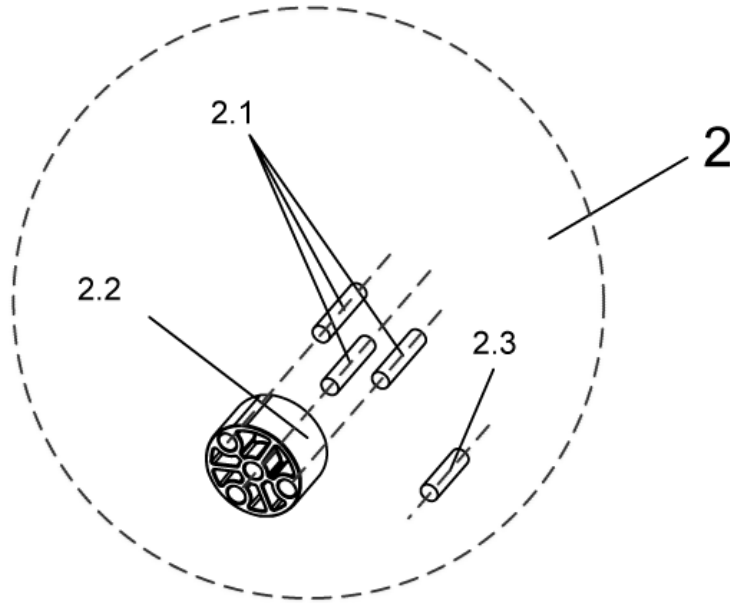
1449410_1.dwg



item	ordercode	description	quantity
1	1485604	Assembly kit, ADM hangers	1
1.1	NA	NYLOC NUT M5	3
1.2	NA	ADP-PLATE	1
1.3	1450448	Knee cushion, RH	1
1.4	NA	SOCKET HEAD CAP SCREW M5 X 25	3
1.5	NA	SOCKET HEAD CAP SCREW M8 X 40	2
1.6	NA	Hanger, RH	1
1.7	NA	Hanger, LH	1
1.8	NA	NYLOC NUT M8	2
1.9	1450410	Knee cushion, LH	1

Legrests, sideways mounted - Assembly kit, ADM sliding bush

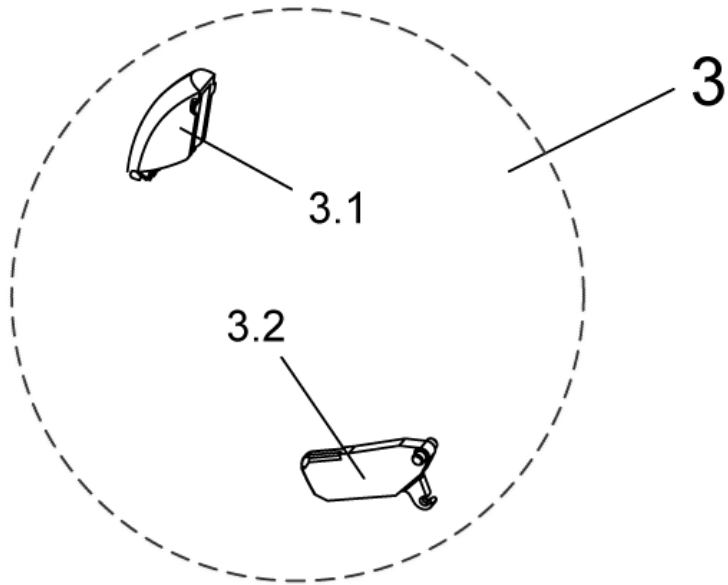
1449410_2.dwg



item	ordercode	description	quantity
2	1485605	Assembly kit, ADM sliding bush	1
2.1	NA	DOWEL RD. 8 X 36, DIN-7	3
2.2	NA	SLIDING BUSH	1
2.3	NA	DOWEL RD. 8 X 30, DIN-7	1

Legrests, sideways mounted - Assembly kit, Trip lever + lock lever

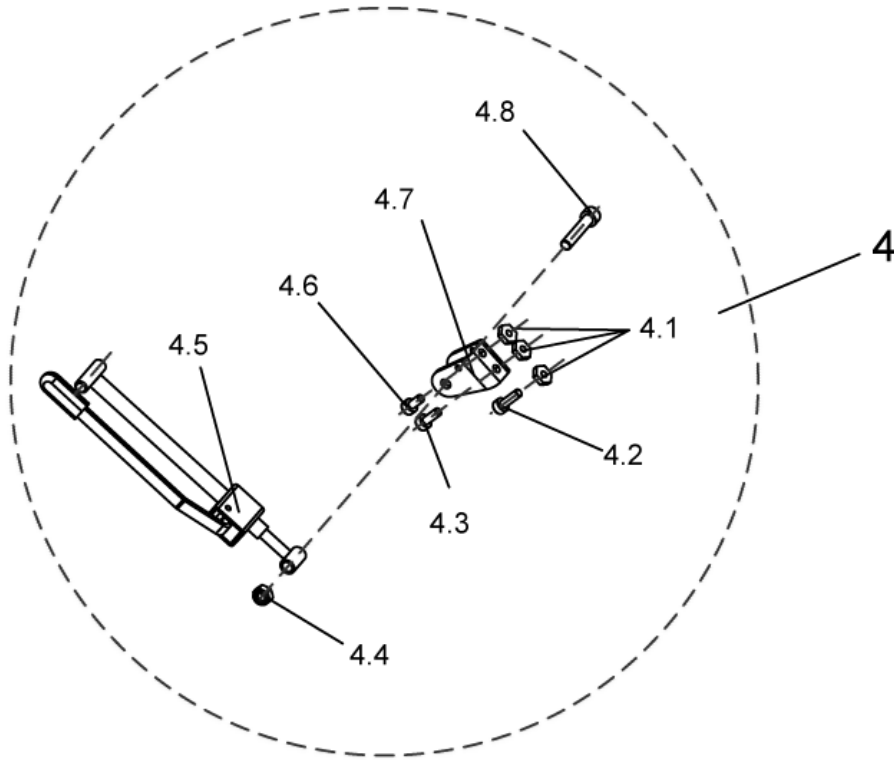
1449410_3.dwg



item	ordercode	description	quantity
3	1449155	Trip lever + lock lever	1
3.1	NA	Trip lever	1
3.2	NA	Lock lever	1

Legrests, sideways mounted - Assembly kit, ADM adjustment

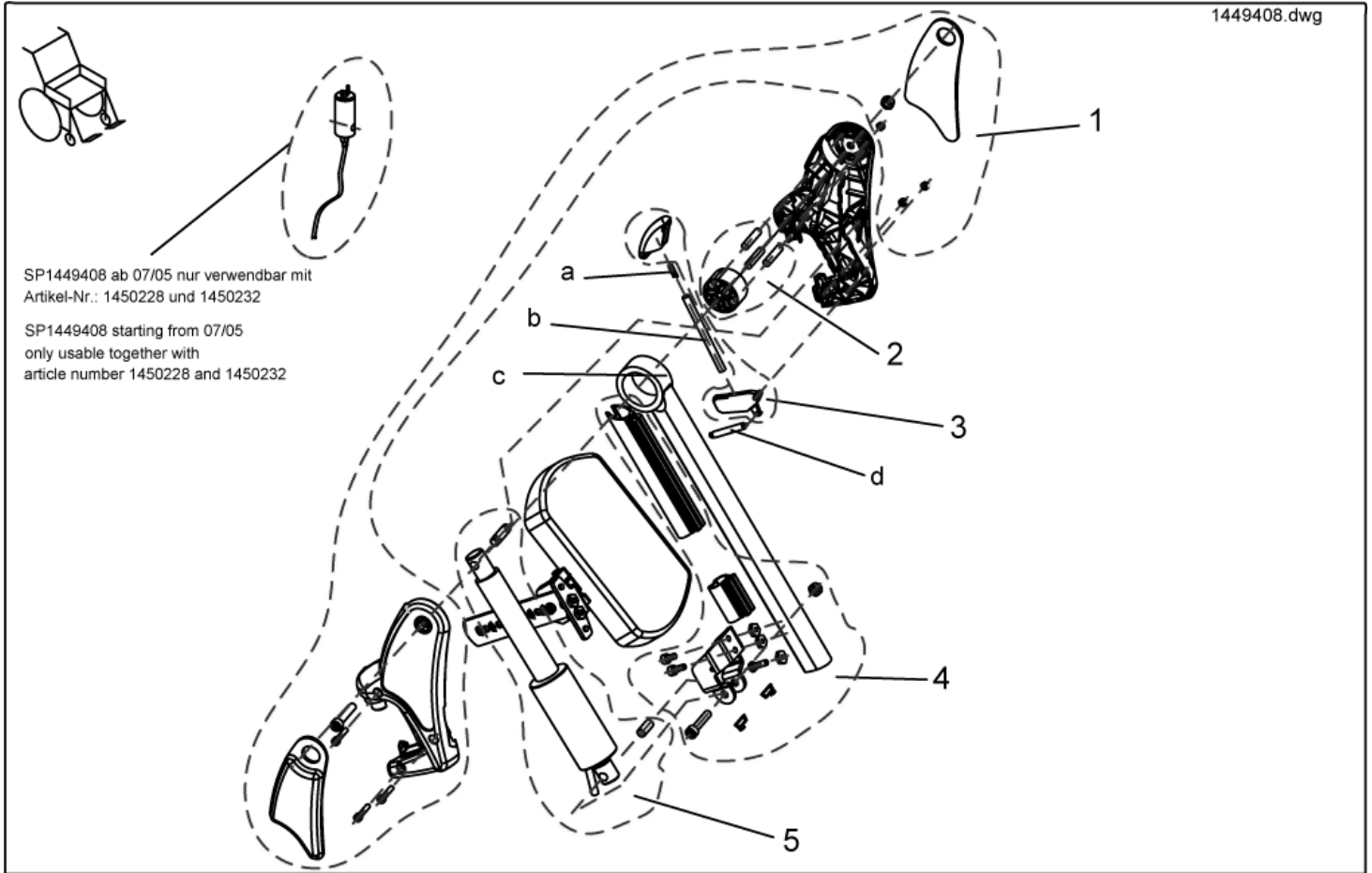
1449410_4.dwg



item	ordercode	description	quantity
4	1485606	Assembly kit, ADM adjustment	1
4.1	NA	NUT M6 SW-14	
4.2	NA	SOCKET HEAD CAP SCREW M6 X 20	1
4.3	NA	SOCKET HEAD CAP SCREW M6 X 16	1
4.4	NA	NYLOC NUT M8	2
4.5	NA	ADM ADJUSTMENT MECHANISM CPL.	
4.6	NA	SOCKET HEAD CAP SCREW M6 X 12	
4.7	NA	ACTUATOR MOUNT	
4.8	NA	SOCKET HEAD CAP SCREW M8 X 40	2

Legrests, sideways mounted - Upper ADP, right

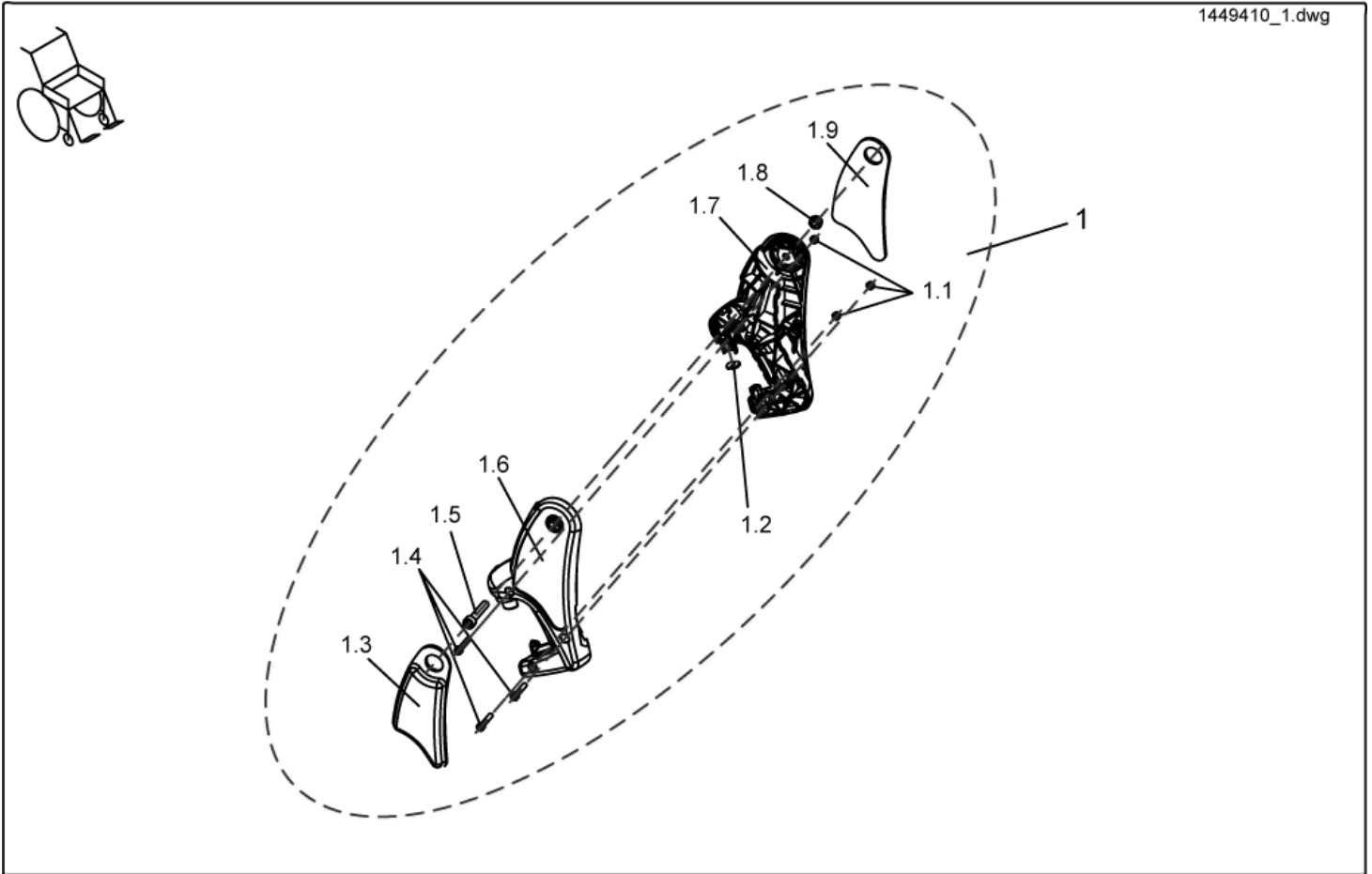
1449408.dwg



item	ordercode	description	quantity
-	SP1449408	Upper ADP, RH	1
1	NA	">>see details on "assembly kit, hangers"	1
2	NA	">>see details on "assembly kit ADP, sliding bush"	1
3	NA	">>>see details on "assembly kit ADP, release button + lock lever"	1
4	NA	">>>see details on "assembly kit ADP, actuator bracket"	1
5	NA	">>>see details on "assembly kit ADP, hoist motor"	1
a	N12196	COMPRESSION SPRING	1
b	Z174113.99	PUSH ROD	1
c	NA	UPPER FOOTREST, ADP	1
d	Z173178	SPRING	1

Legrests, sideways mounted - Assembly kit, ADM hangers

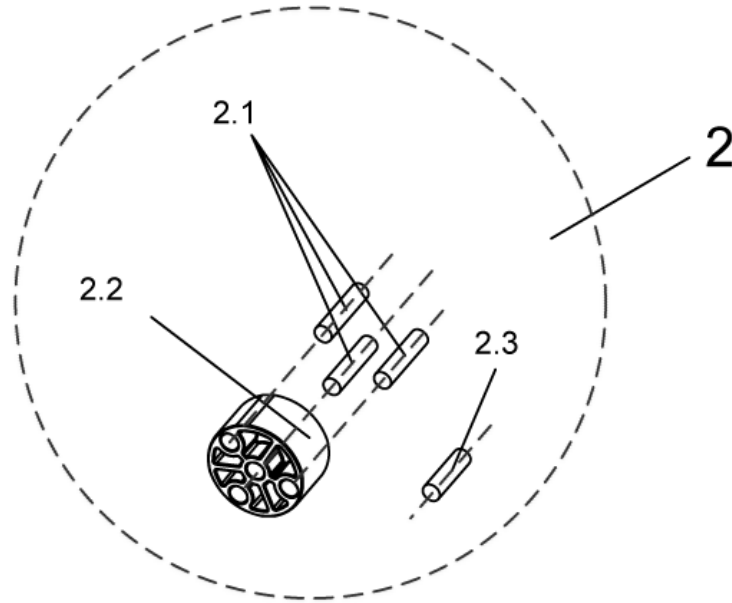
1449410_1.dwg



item	ordercode	description	quantity
1	1485604	Assembly kit, ADM hangers	1
1.1	NA	NYLOC NUT M5	3
1.2	NA	ADP-PLATE	1
1.3	1450448	Knee cushion, RH	1
1.4	NA	SOCKET HEAD CAP SCREW M5 X 25	3
1.5	NA	SOCKET HEAD CAP SCREW M8 X 40	2
1.6	NA	Hanger, RH	1
1.7	NA	Hanger, LH	1
1.8	NA	NYLOC NUT M8	2
1.9	1450410	Knee cushion, LH	1

Legrests, sideways mounted - Assembly kit, ADM sliding bush

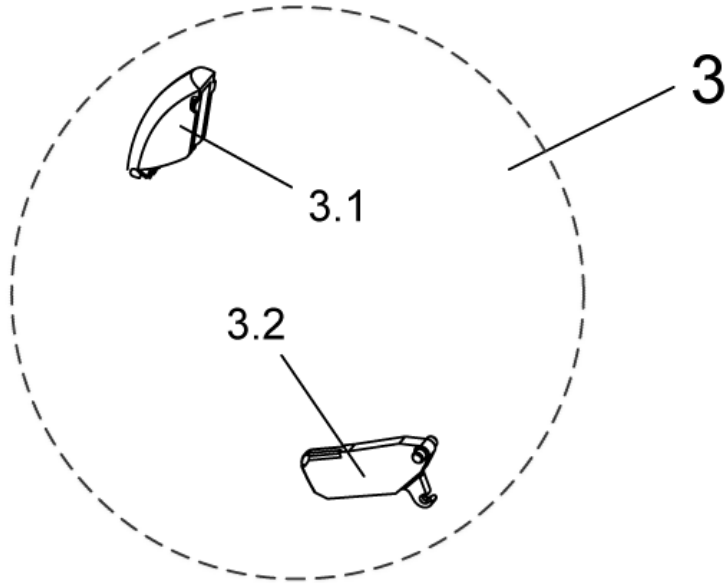
1449410_2.dwg



item	ordercode	description	quantity
2	1485605	Assembly kit, ADM sliding bush	1
2.1	NA	DOWEL RD. 8 X 36, DIN-7	3
2.2	NA	SLIDING BUSH	1
2.3	NA	DOWEL RD. 8 X 30, DIN-7	1

Legrests, sideways mounted - Assembly kit, Trip lever + lock lever

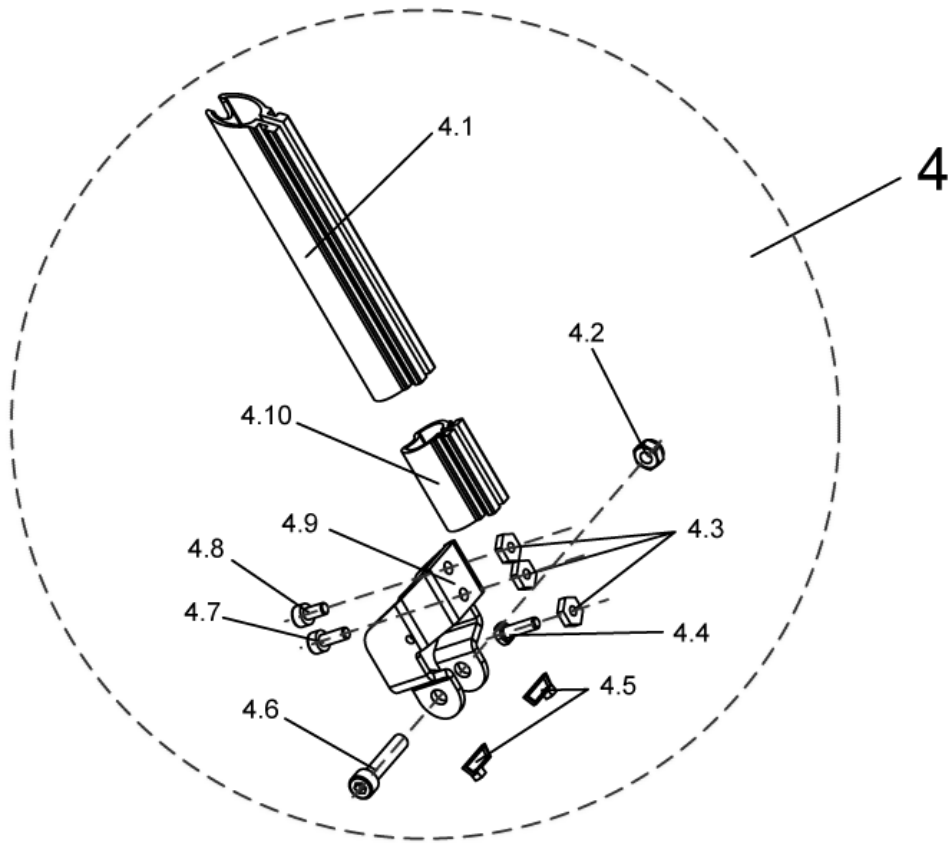
1449410_3.dwg



item	ordercode	description	quantity
3	1449167	Trip lever + lock lever	1
3.1	NA	Trip lever	1
3.2	NA	Lock lever	1

Legrests, sideways mounted - Assembly kit ADP, actuator bracket

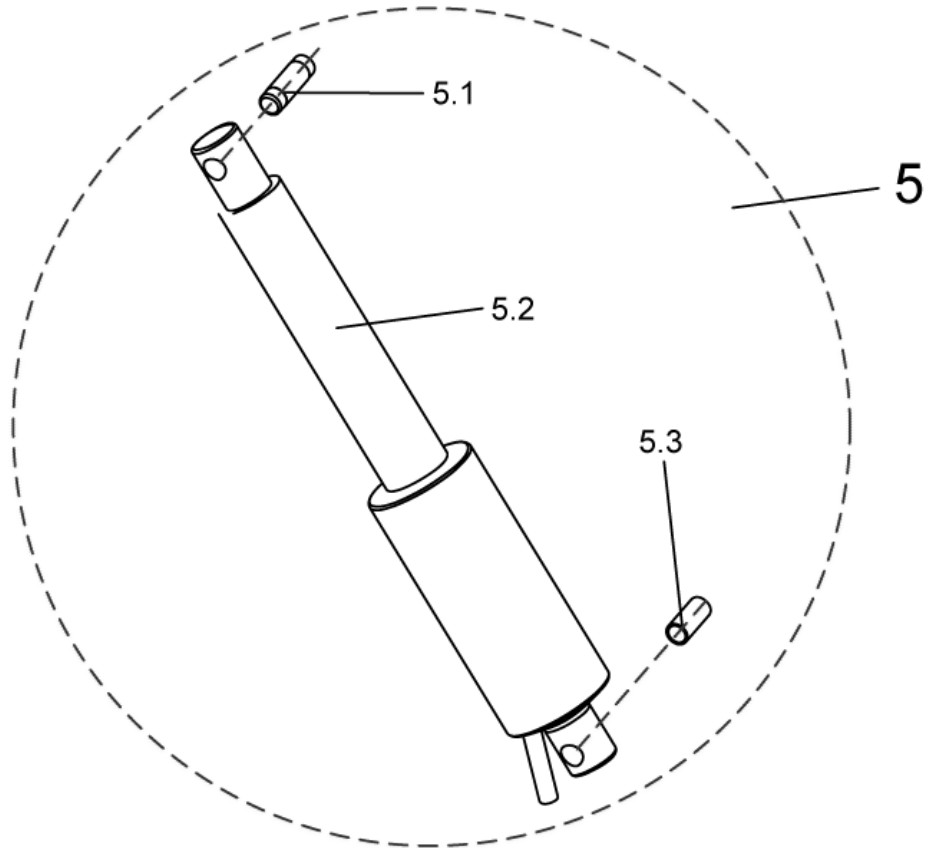
1449408_1.dwg



item	ordercode	description	quantity
4	1450607	Assembly kit ADP, actuator bracket	1
4.1	NA	UPPER GUARD	1
4.2	NA	NYLOC NUT M8	2
4.3	NA	NUT M6 SW-14	3
4.4	NA	HEX HEAD SCREW M6 X 20	1
4.5	NA	CABLE STRAP L=99 MM (SHORT), BLACK	1
4.6	NA	SOCKET HEAD CAP SCREW M8 X 40	2
4.7	NA	SOCKET HEAD CAP SCREW M6 X 16	1
4.8	NA	SOCKET HEAD CAP SCREW M6 X 12	1
4.9	NA	Actuator holding plate	1
4.10	NA	LOWER GUARD	1

Legrests, sideways mounted - Assembly kit ADP, hoist motor

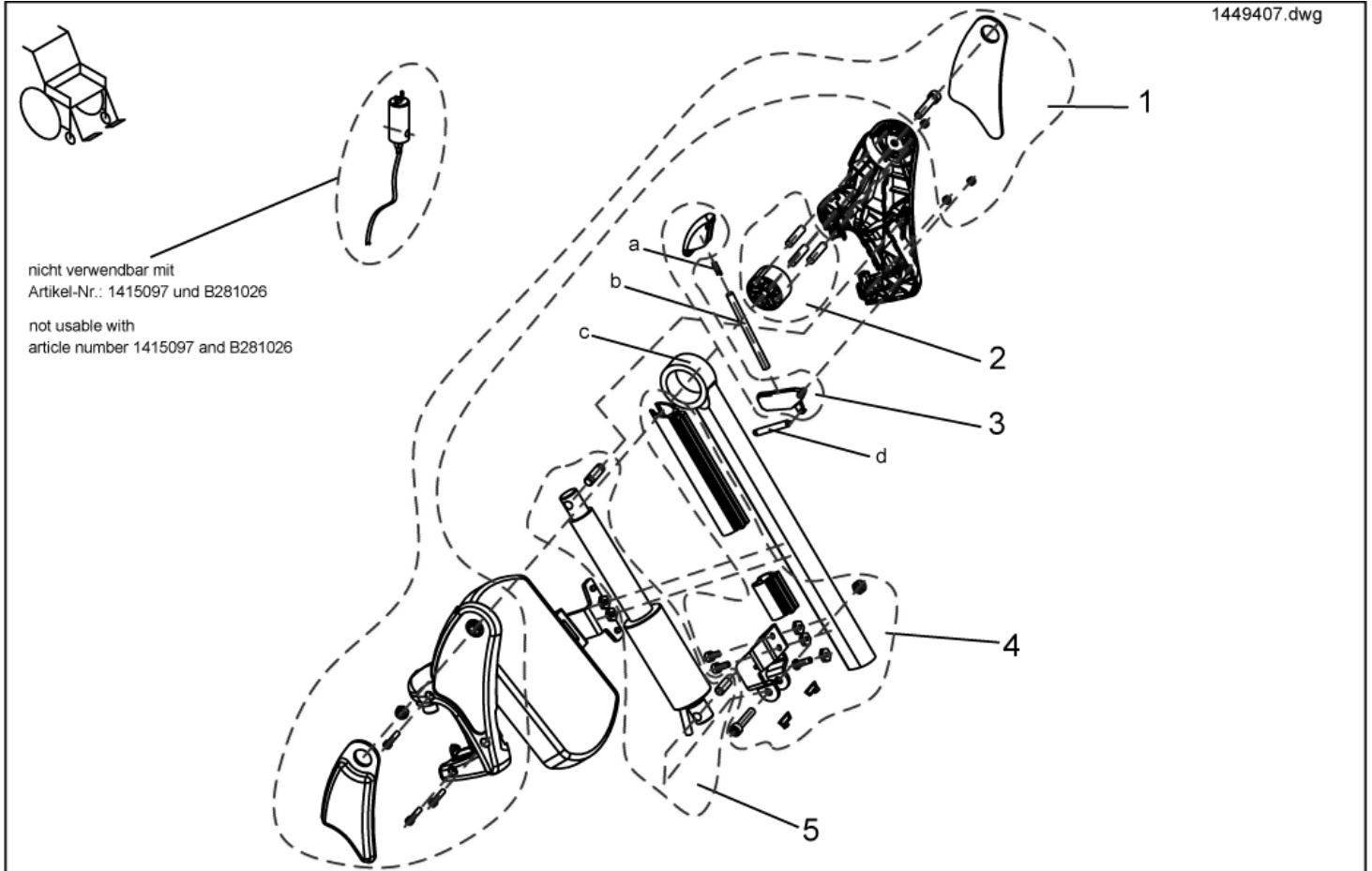
1449408_2.dwg



item	ordercode	description	quantity
5	1450606	Assembly kit ADP, hoist motor	1
5.1	Z174137.99	PIVOT BUSH	1
5.2	Z151006	ACTUATOR ASSY	1
5.3	4000665-0002	SPACER BUSH 10X1X22,5	1

Legrests, sideways mounted - Upper ADP, left

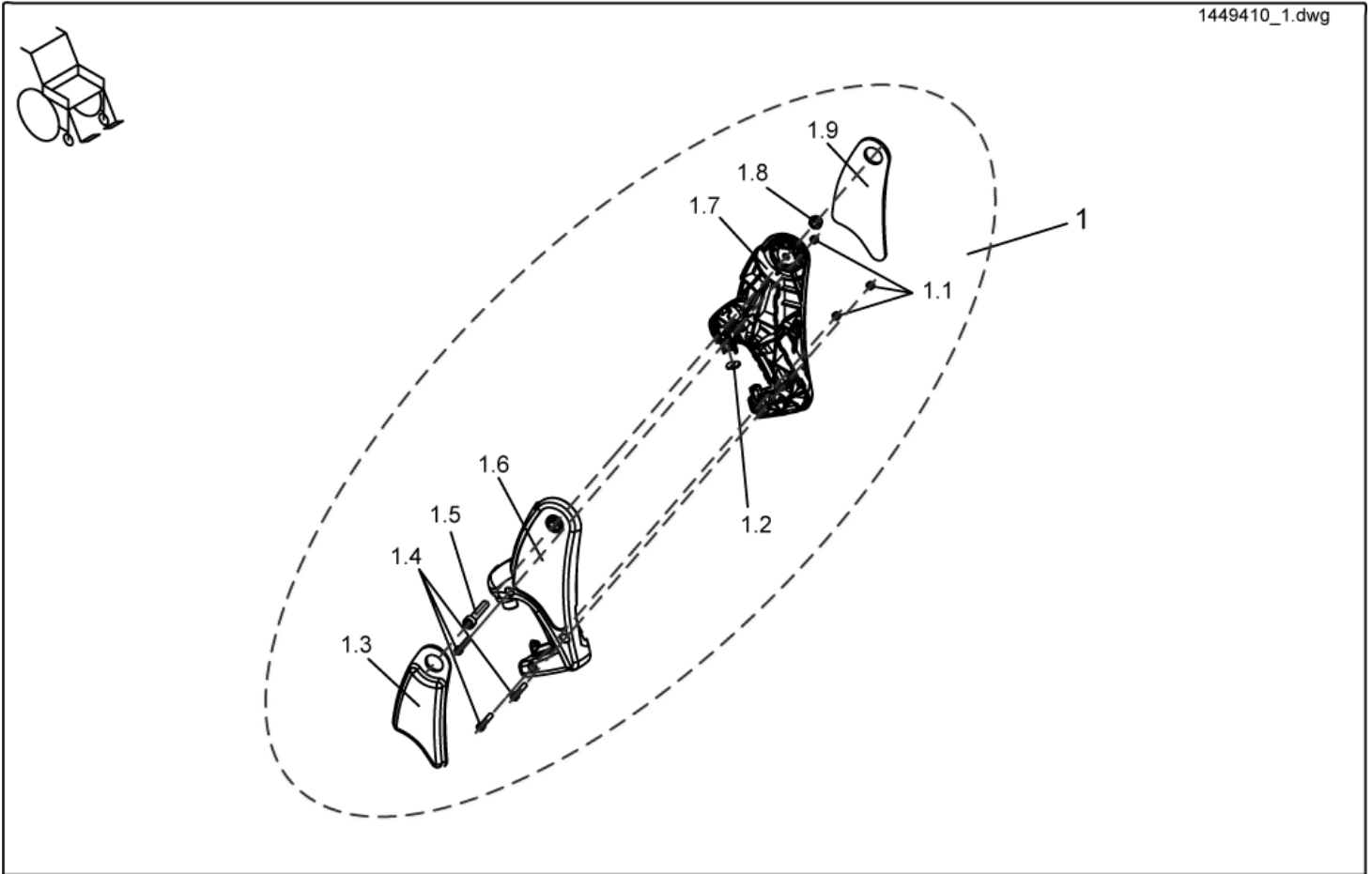
1449407.dwg



item	ordercode	description	quantity
-	SP1449407	Upper ADP LH	1
1	NA	">>>see details on "assembly kit, hangers"	1
2	NA	">>>see details on "assembly kit ADP, sliding bush"	1
3	NA	">>>see details on "assembly kit ADP, trip lever + lock lever"	1
4	NA	">>>see details on "assembly kit ADP, actuator bracket"	1
5	NA	">>>see details on "assembly kit ADP, hoist motor"	1
a	1450410	Knee cushion, LH	1
b	Z174113.99	PUSH ROD	1
c	NA	UPPER FOOTREST, ADP	1
d	Z173178	TENSION SPRING	1

Legrests, sideways mounted - Assembly kit, ADM hangers

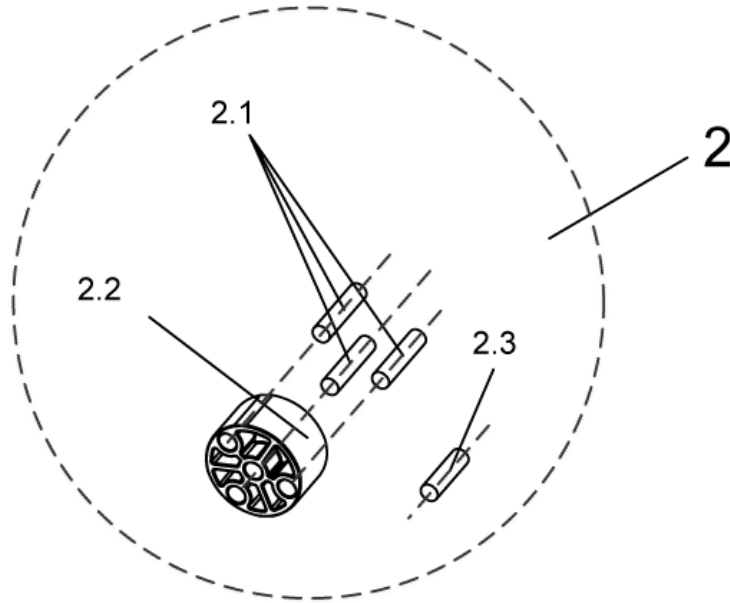
1449410_1.dwg



item	ordercode	description	quantity
1	1485604	Assembly kit, ADM hangers	1
1.1	NA	NYLOC NUT M5	3
1.2	NA	ADP-PLATE	1
1.3	1450448	Knee cushion, RH	1
1.4	NA	SOCKET HEAD CAP SCREW M5 X 25	3
1.5	NA	SOCKET HEAD CAP SCREW M8 X 40	2
1.6	NA	Hanger, RH	1
1.7	NA	Hanger, LH	1
1.8	NA	NYLOC NUT M8	2
1.9	1450410	Knee cushion, LH	1

Legrests, sideways mounted - Assembly kit, ADM sliding bush

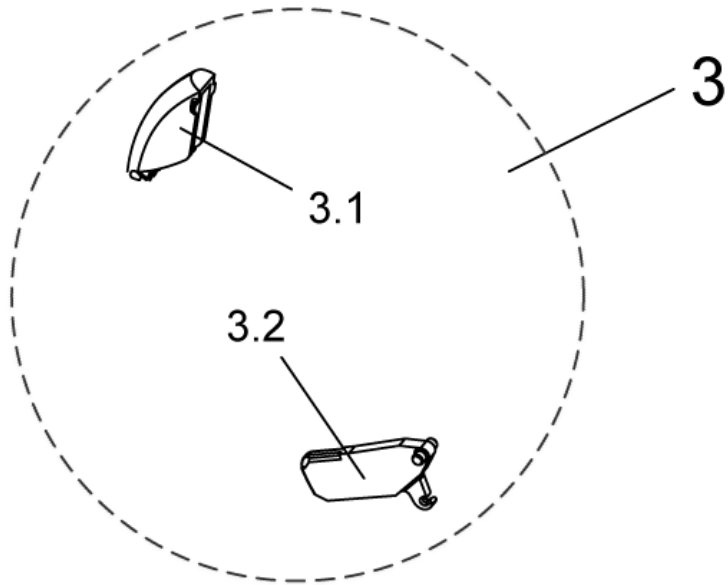
1449410_2.dwg



item	ordercode	description	quantity
2	1485605	Assembly kit, ADM sliding bush	1
2.1	NA	DOWEL RD. 8 X 36, DIN-7	3
2.2	NA	SLIDING BUSH	1
2.3	NA	DOWEL RD. 8 X 30, DIN-7	1

Legrests, sideways mounted - Assembly kit, Trip lever + lock lever

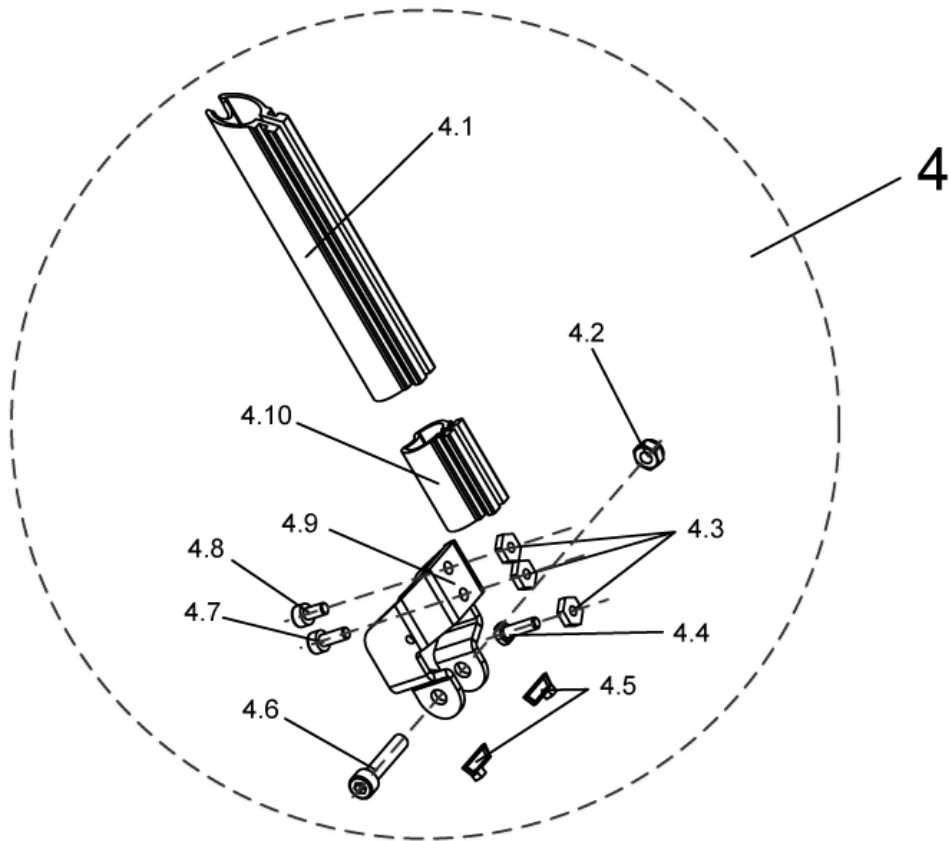
1449410_3.dwg



item	ordercode	description	quantity
3	1449167	Trip lever + lock lever	1
3.1	NA	Trip lever	1
3.2	NA	Lock lever	1

Legrests, sideways mounted - Assembly kit ADP, actuator bracket

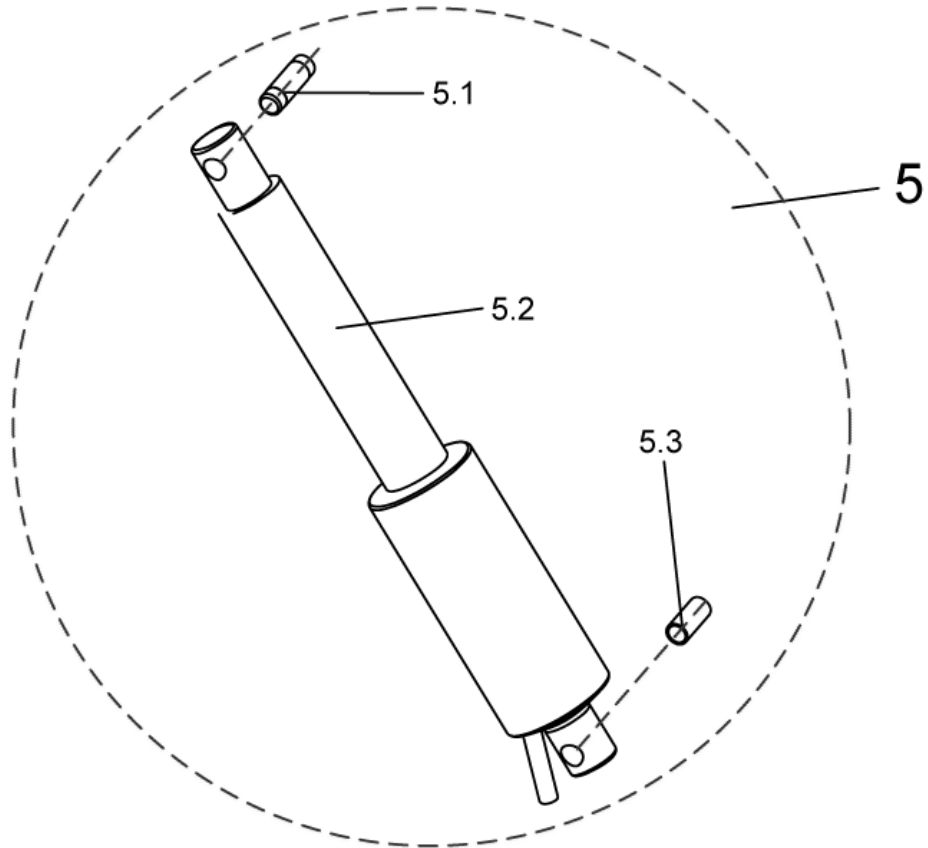
1449408_1.dwg



item	ordercode	description	quantity
4	1450607	Assembly kit ADP, actuator bracket	1
4.1	NA	UPPER GUARD	1
4.2	NA	NYLOC NUT M8	2
4.3	NA	NUT M6 SW-14	3
4.4	NA	HEX HEAD SCREW M6 X 20	1
4.5	NA	CABLE STRAP L=99 MM (SHORT), BLACK	1
4.6	NA	SOCKET HEAD CAP SCREW M8 X 40	2
4.8	NA	SOCKET HEAD CAP SCREW M6 X 12	1
4.7	NA	SOCKET HEAD CAP SCREW M6 X 16	1
4.9	NA	Actuator holding plate	1
4.10	NA	LOWER GUARD	1

Legrests, sideways mounted - Assembly kit ADP, hoist motor

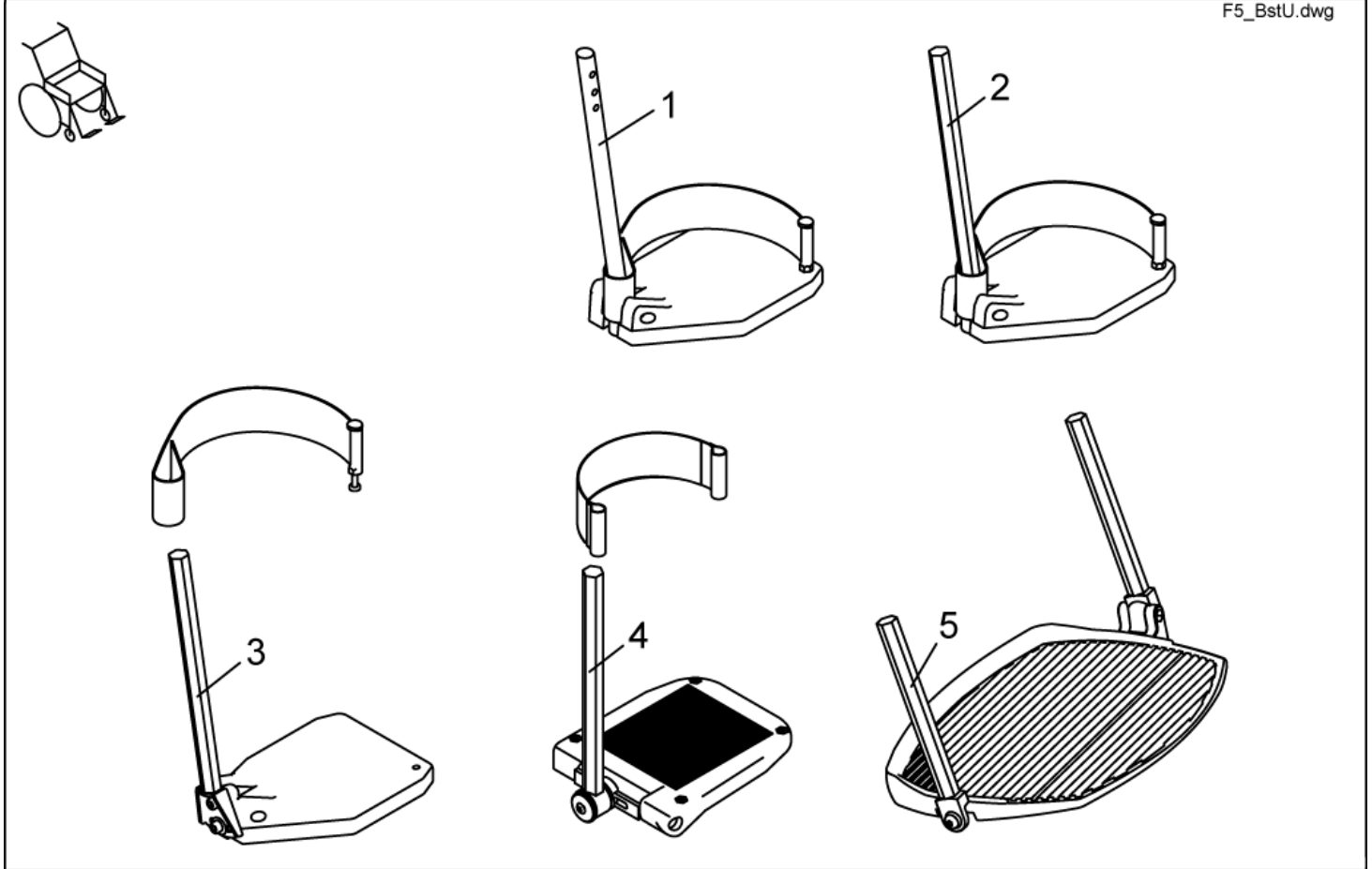
1449408_2.dwg



item	ordercode	description	quantity
5	1450606	Assembly kit ADP, hoist motor	1
5.1	Z174137.99	PIVOT BUSH	1
5.2	Z151006	ACTUATOR ASSY	1
5.3	4000665-0002	SPACER BUSH 10X1X22,5	1

Legrests, sideways mounted - Lower Footrests

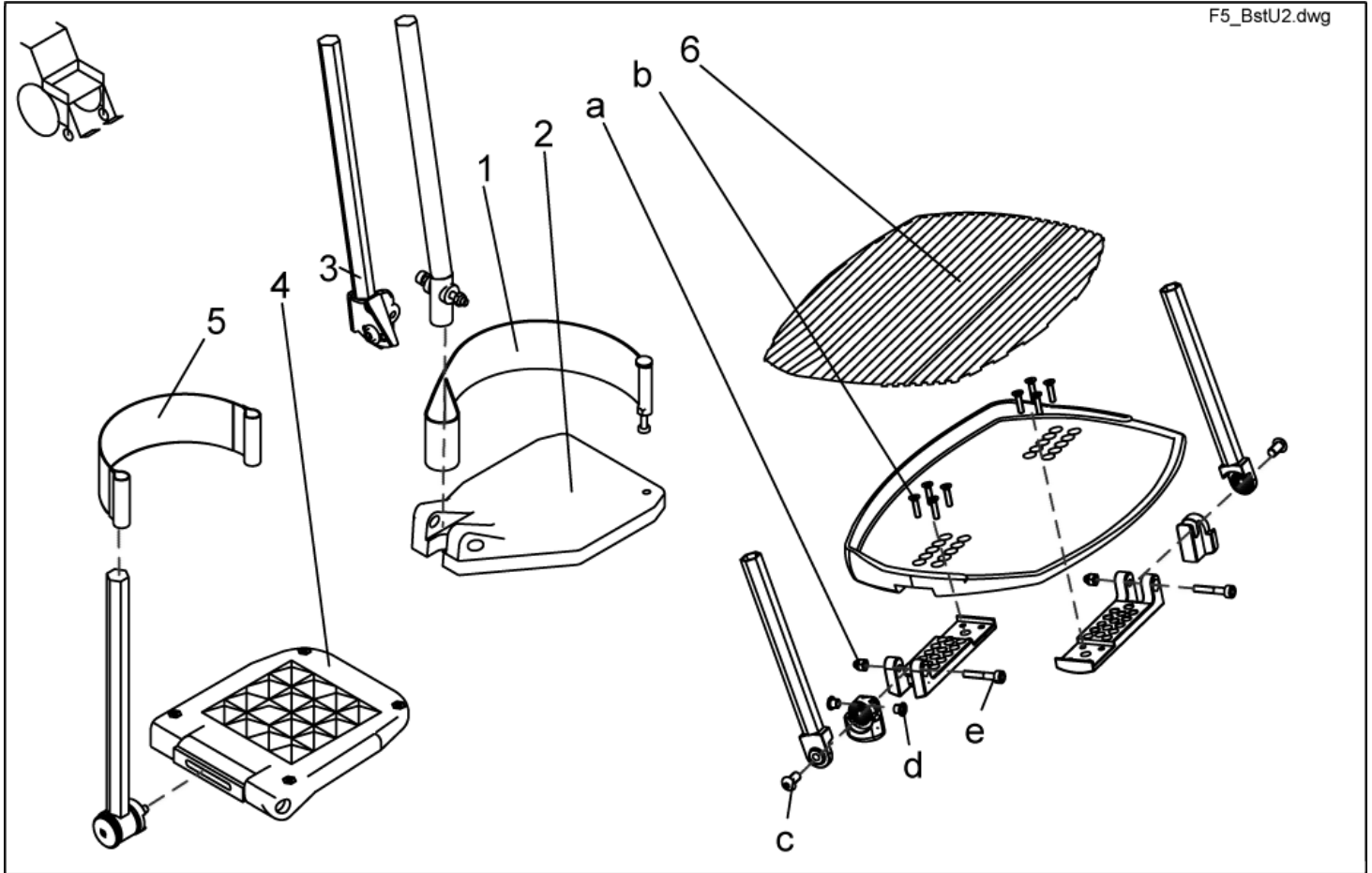
F5_BstU.dwg



item	ordercode	description	quantity
1	B273010	FOOTREST CPL. STD. 80 LH	1
1	B273009	FOOTREST CPL. STD. 80 RH	1
2	SP1421663	LOWER FOOTREST LH, CPL.	1
2	SP1421662	LOWER FOOTREST RH, CPL.	1
3	SP1421665	LOWER FOOTREST, ANGLE ADJUSTMENT LH CPL.	1
3	SP1421664	LOWER FOOTREST, ANGLE ADJUSTMENT RH CPL.	1
4	SP1419344	FOOT PLATE LH ANGLE AND DEPTH ADJUSTMENT CPL.	1
4	SP1419345	FOOT PLATE RH ANGLE AND DEPTH ADJUSTMENT CPL.	1
5	SP1423156	PRE-ASSEMBLED FOOT BOARD	1

Legrests, sideways mounted - Lower Legrests Detailed

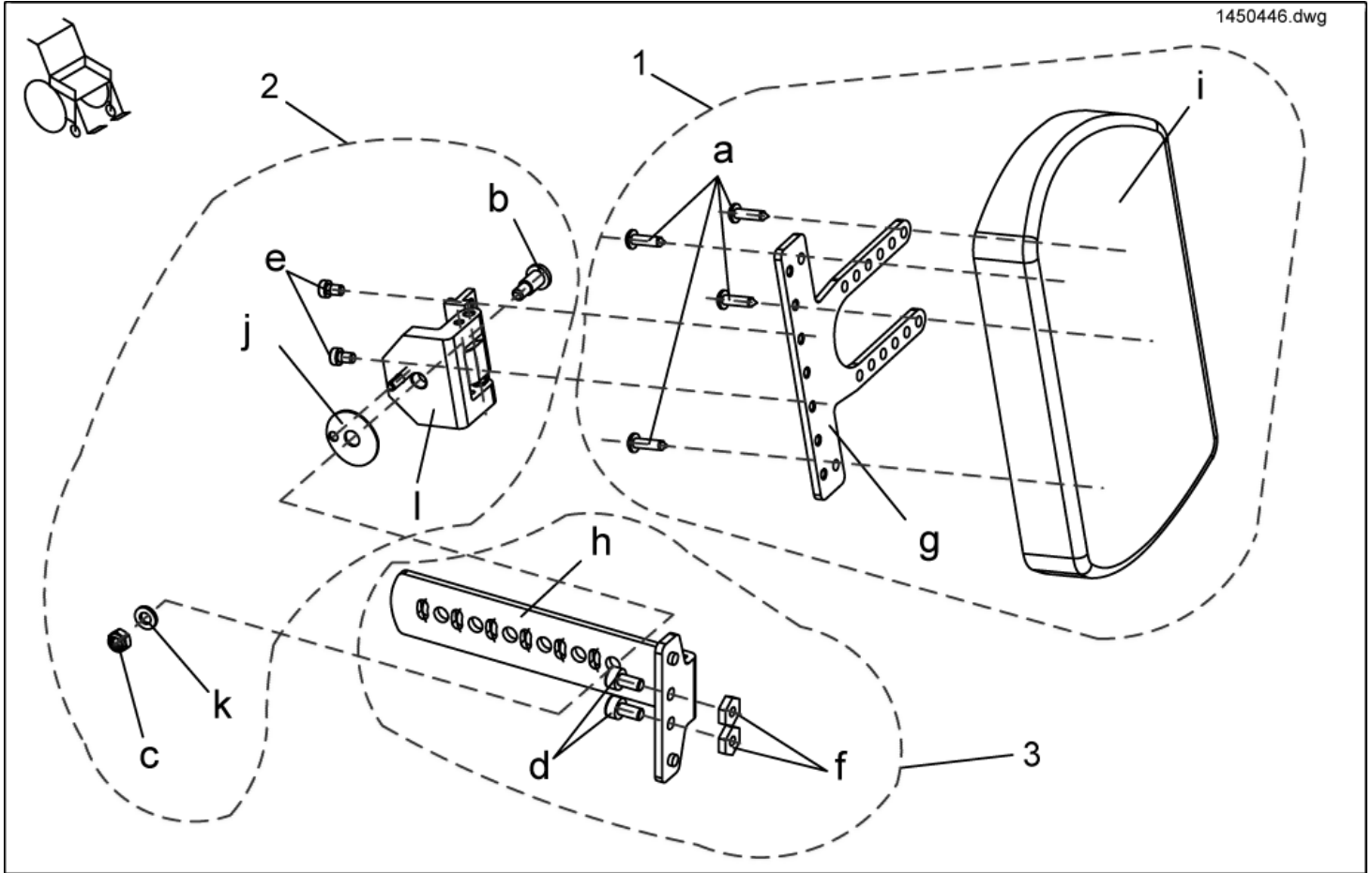
F5_BstU2.dwg



item	ordercode	description	quantity
1	SP1423202	HEEL STRAP CPL.	2
2	Z173217	FOOTPLATE LE; BLACK	1
2	Z173218	FOOTPLATE RH; BLACK	1
3	SP1423204	FOOT PLATE TUBE, ANGLE ADJUSTMENT LH CPL.	1
3	SP1423203	FOOT PLATE TUBE, ANGLE ADJUSTMENT RH CPL.	1
4	5106376	FOOTPLATE ADAPT / SPIREA ANGLE ADJ.	2
5	5321579	HEEL STRAP CPL.	2
6	Z174159	FOOTPLATERUBBER	1
a,b,c,d,e	SP1423444	FOOT BOARD MOUNTING KIT	1
a	NA	DOMED NYLOC NUT M6, SELF-LOCKING	2
b	NA	COUNTERSUNK CROSS HEAD SCREW M5 X 20	8
c	NA	FLAT SOCKET HEAD SCREW M8 X 16 ULS A2	2
d	NA	BUSH BB 0608 DU	2
e	NA	SOCKET HEAD CAP SCREW M6 X 35	2

Legrests, sideways mounted - Calf plate holder, right

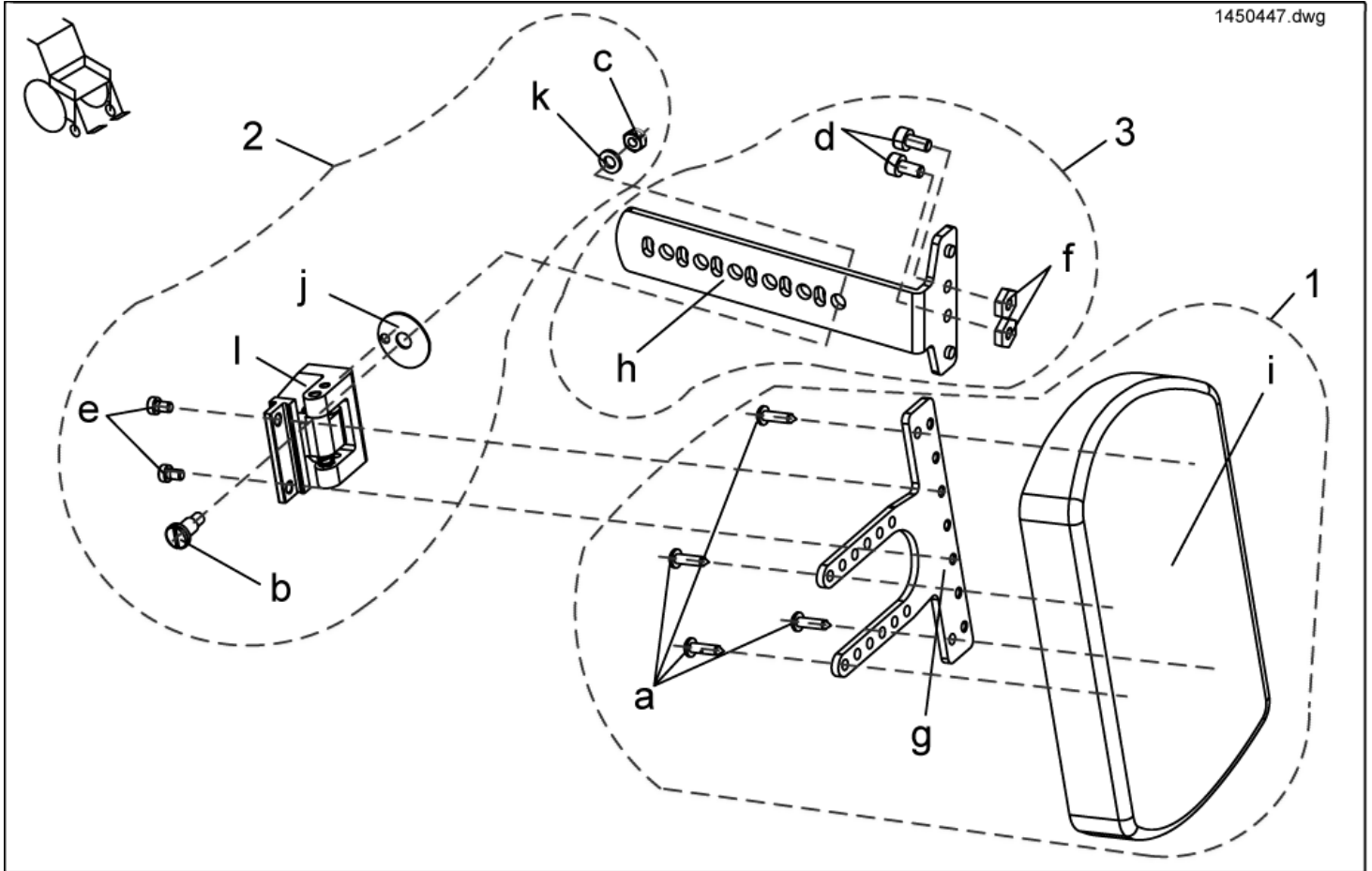
1450446.dwg



item	ordercode	description	quantity
-	SP1450446	CALF PLATE HOLDER RIGHT TURNABLE, COMPLETELY	1
1	SP1449021	ASSEMBLY KIT, CALF PLATE HOLDER	1
2	SP1449022	ASSEMBLY KIT, CALF PLATE HINGE	1
3	SP1449023	ASSEMBLY KIT, CALF PLATE	1
a	NA	DOMED CROSSHEAD SELF TAPPING SCREW 4,8 X 19	4
b	NA	SCREW M6 X 12	1
c	NA	NYLOC NUT M6	1
d	NA	SOCKET HEAD CAP SCREW M6 X 12	2
e	NA	SCREWS DIN 6912-M5x10	2
f	NA	NUT M6 SW-14	2
g	NA	ADAPTER SHEET METAL CALF PLATE TURNABLE / GALVANIZES	1
h	NA	CALF PLATE HOLDER TURNABLE / GALVANIZES	1
i	6301333	CALF PLATE	1
j	NA	SLIP WASHER FOR TURNABLE CALF PLATE	1
k	NA	WASHER 6,4 X 12,5 X 1,6	1
l	NA	CALF PLATE HINGE, RIGHT	1

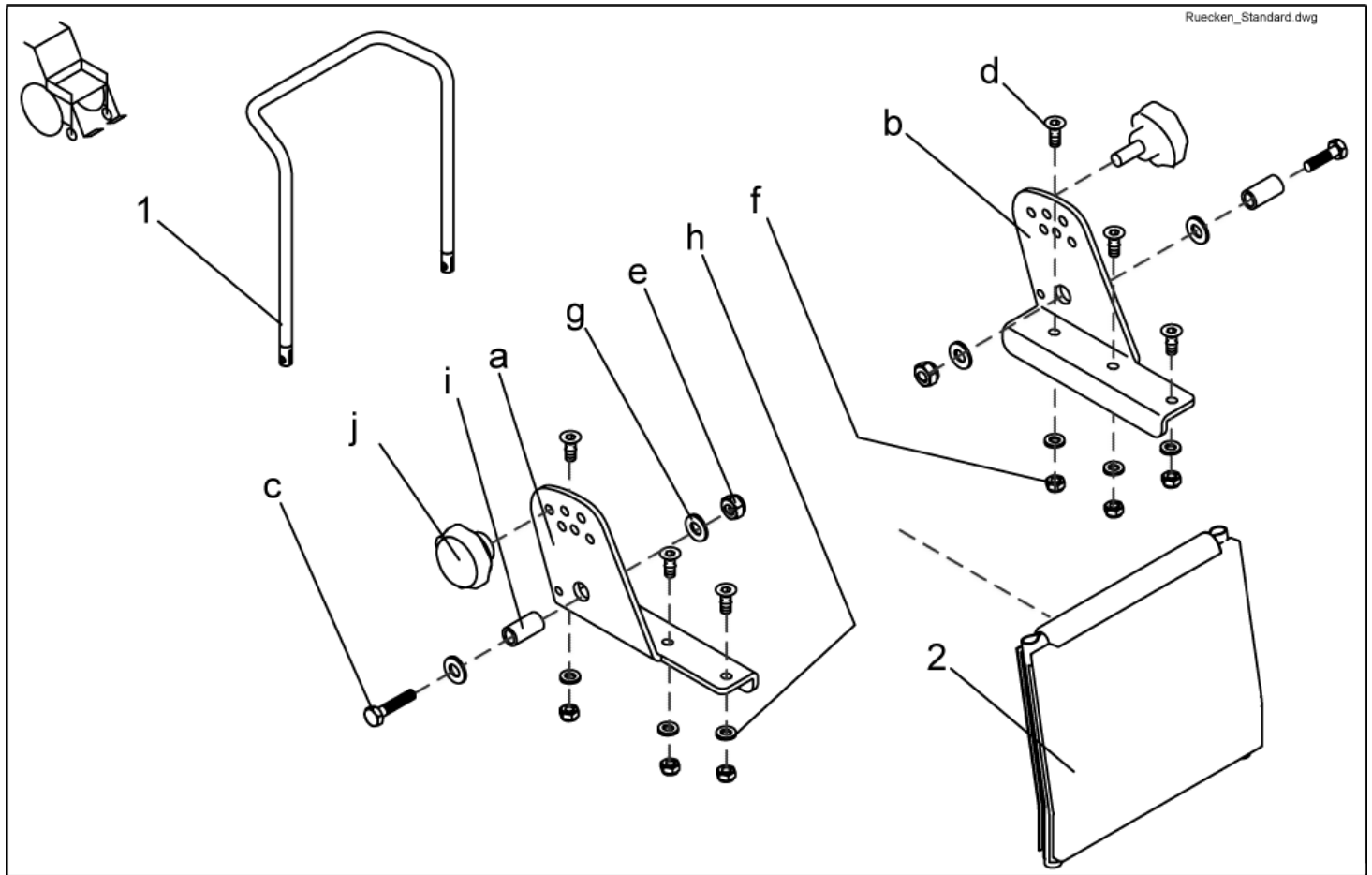
Legrests, sideways mounted - Calf plate holder, left

1450447.dwg



item	ordercode	description	quantity
-	SP1450447	CALF PLATE HOLDER LEFT TURNABLE, COMPLETELY	1
1	SP1449021	ASSEMBLY KIT, CALF PLATE HOLDER	1
2	SP1449022	ASSEMBLY KIT, CALF PLATE HINGE	1
3	SP1449023	ASSEMBLY KIT, CALF PLATE	1
a	NA	DOMED CROSSHEAD SELF TAPPING SCREW 4,8 X 19	4
b	NA	SCREW M6 X 12	1
c	NA	NYLOC NUT M6	1
d	NA	SOCKET HEAD CAP SCREW M6 X 12	2
e	NA	SCREWS DIN 6912-M5x10	2
f	NA	NUT M6 SW-14	2
g	NA	ADAPTER SHEET METAL CALF PLATE TURNABLE / GALVANIZES	1
h	NA	CALF PLATE HOLDER TURNABLE / GALVANIZES	1
i	6301333	CALF PLATE	1
j	NA	SLIP WASHER FOR TURNABLE CALF PLATE	1
k	NA	WASHER 6,4 X 12,5 X 1,6	1
l	NA	CALF PLATE HINGE, LEFT	1

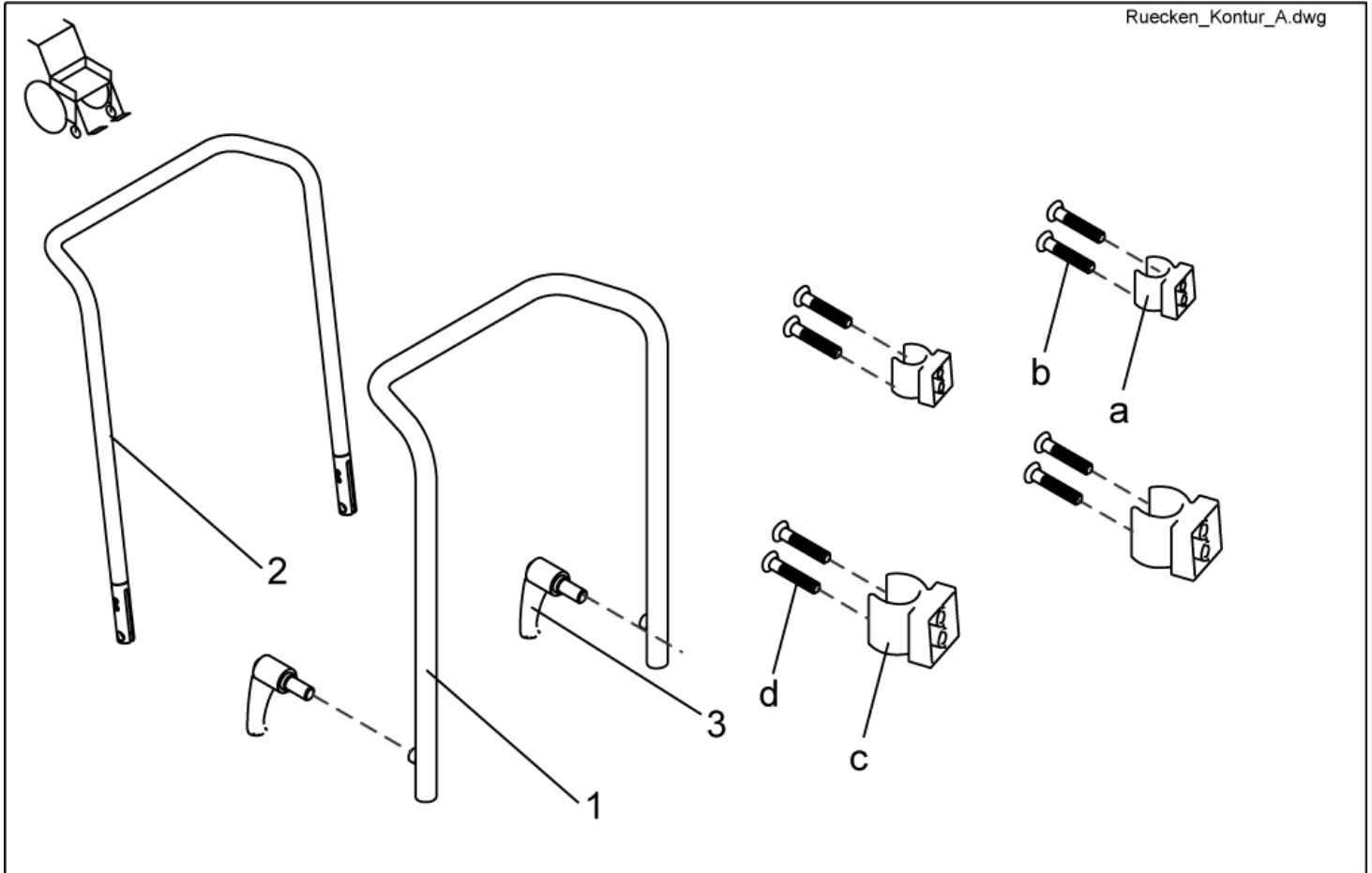
Back Unit - Backrest frame Standard



item	ordercode	description	quantity
1	1419996-9005	BACK TUBE 480 MM	1
1	1420465-9005	BACK TUBE 540 MM	1
2	1422062	BACK STRAP 480 MM	1
2	1422063	BACK STRAP 540 MM	1
a,b,c,d,e,fg,h,i,j	SP1423208	STD. BACKREST ASSEMBLY KIT CPL.	1
a	NA	BACKREST ADJUSTMENT RH	1
b	NA	BACKREST ADJUSTMENT LH	1
c	NA	HEX HEAD SCREW M8 X 35	2
d	NA	COUNTERSUNK SOCKET HEAD SCREW M6 X 16	6
e	NA	NYLOC NUT M8	2
f	NA	DOMED NYLOC NUT M6, SELF-LOCKING	6
g	NA	WASHER 8,4 X 17 X 1,6	4
h	NA	WASHER 6,4 X 12,5 X 1,6	6
i	NA	BUSH RD. 12 X 1.8 X 23	2
j	SP1420444	STAR GRIP M8 CPL.	2

Back Unit - Backrest frame CONTOUR

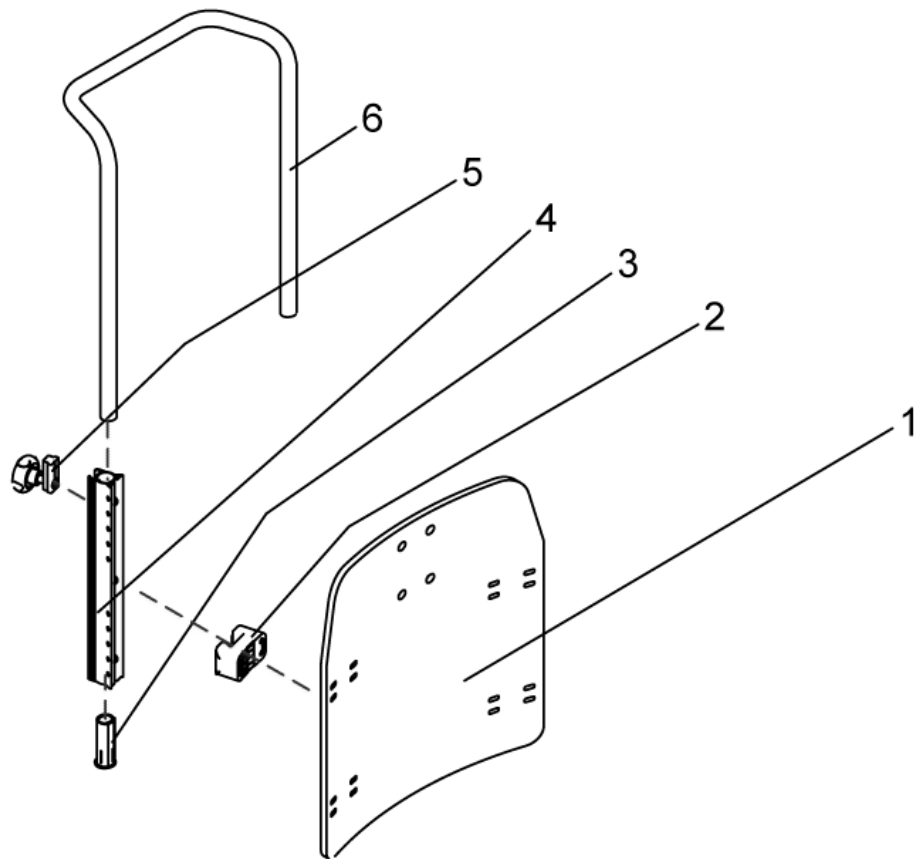
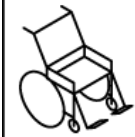
Ruecken_Kontur_A.dwg



item	ordercode	description	quantity
1	1420478-9005	BACK TUBE CONTOUR	1
2	1434878-9005	BACKTUBE CONTOUR FOR STORM³ EURO	1
3	L31996	LEVER M10 X 20	2
a,b,c,d	SP1423216	PADDED BACKREST UPHOLSTERY ASSEMBLY KIT	1
a	NA	CLAMP SHORT	2
b	NA	SCREW 5 X 30	4
c	NA	CLAMP LONG	2
d	NA	SCREW 5 X 45, DIN 7505	4

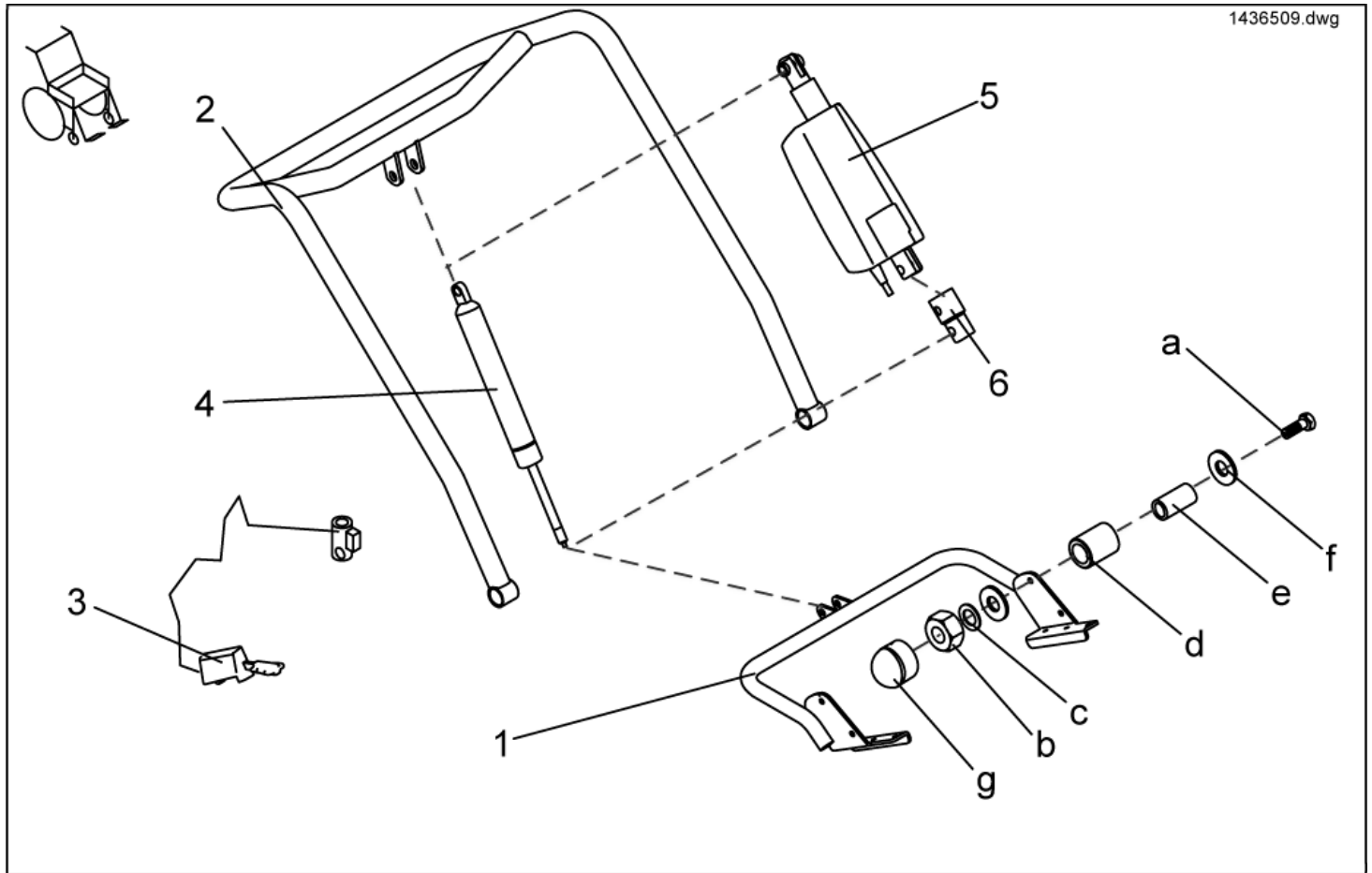
Back Unit - Backrest frame FLEX

Ruecken_Flex.dwg



item	ordercode	description	quantity
-	SP1422126	BACKREST FLEX SB 39 WITHOUT UPHOLSTERY CPL.	1
-	SP1422124	BACKREST FLEX SB 43 WITHOUT UPHOLSTERY CPL.	1
-	SP1422125	BACKREST FLEX SB 48 WITHOUT UPHOLSTERY CPL.	1
1	SP1423217	BACK PLATE SB 39 CPL.	1
1	SP1423218	BACK PLATE SB 43 CPL.	1
1	SP1423219	BACK PLATE SB 48 CPL.	1
2	SP1422117	SPACER BLOCK, 4 PIECES	1
3	SP1423220	GUIDE BUSH CPL. (PAIR)	1
4	5252204	BACKREST BAR	2
5	5253088	FIXING BLOCK	4
6	1425840-9005	PUSH HANDLE SB 39	1
6	1425839-9005	PUSH HANDLE SB 44/48	1

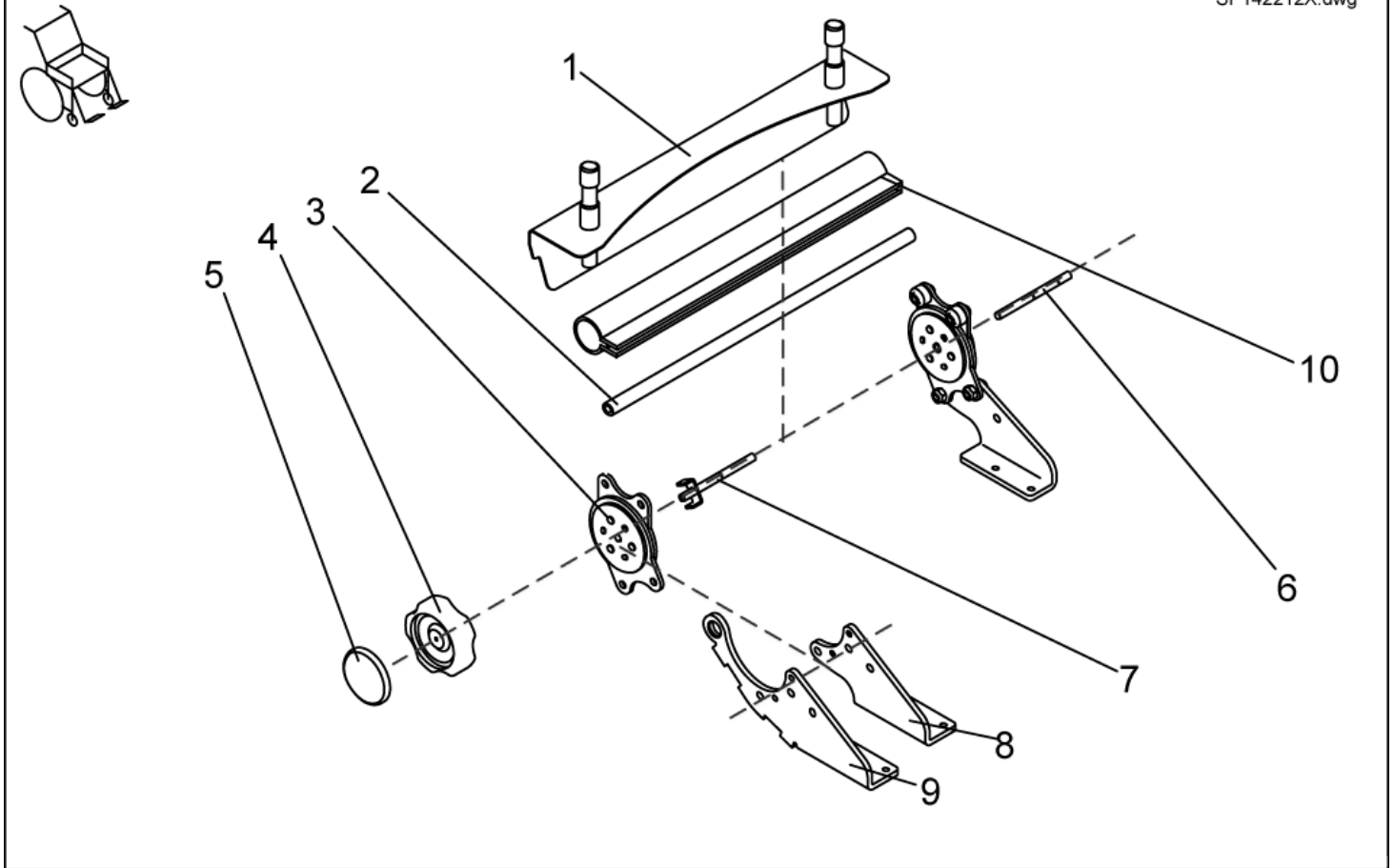
Back Unit - Backrest adjustment STANDARD



item	ordercode	description	quantity
-	SP1436509	BACKREST ADJUSTMENT PNEUMATIC FOR STANDARD SEAT COMPLETE	1
-	SP1436507	BACKREST ADJUSTMENT ELECTRICAL FOR STANDARD SEAT COMPLETE	1
-	SP1444991	Rückenverstellung Standard, Rückenhöhe 54cm, pneumatisch, komplett mit Rückengurt	1
-	SP1443270	Rückenverstellung Standard, Rückenhöhe 54cm, elektrisch, komplett mit Rückengurt	1
1	1440394-9005	LOWER RECEIVING BRACKET	1
2	1440395-9005	BACKTUBE	1
3	N368003	RELEASE LEVER "STABILUS"	1
4	N368007	BACK ADJUSTER PNEUMATIC CPL.	1
5	1418016	BACK ADJUSTER ELECTRIC CPL.	1
6	N368001.89	EXTENSION PART FOR ACTUATOR	1
a,b,c,d,e,f,g	F367005	FIXING KIT FOR SEAT MOUNTING	1
a	NA	AXLE BOLT M8 X 45	2
b	NA	NYLOC NUT M8	2
c	NA	WASHER 8,4 X 17 X 1,6	2
d	NA	BUSH RD. 18 X 3 X 22	4
e	NA	BUSH RD. 12 X 1.8 X 23	2
f	NA	WASHER 8,4 X 25 X 2 DIN 9021	2
g	NA	NUT CAP M8	2

Back Unit - Backrest adjustment FLEX/CONTUR man.

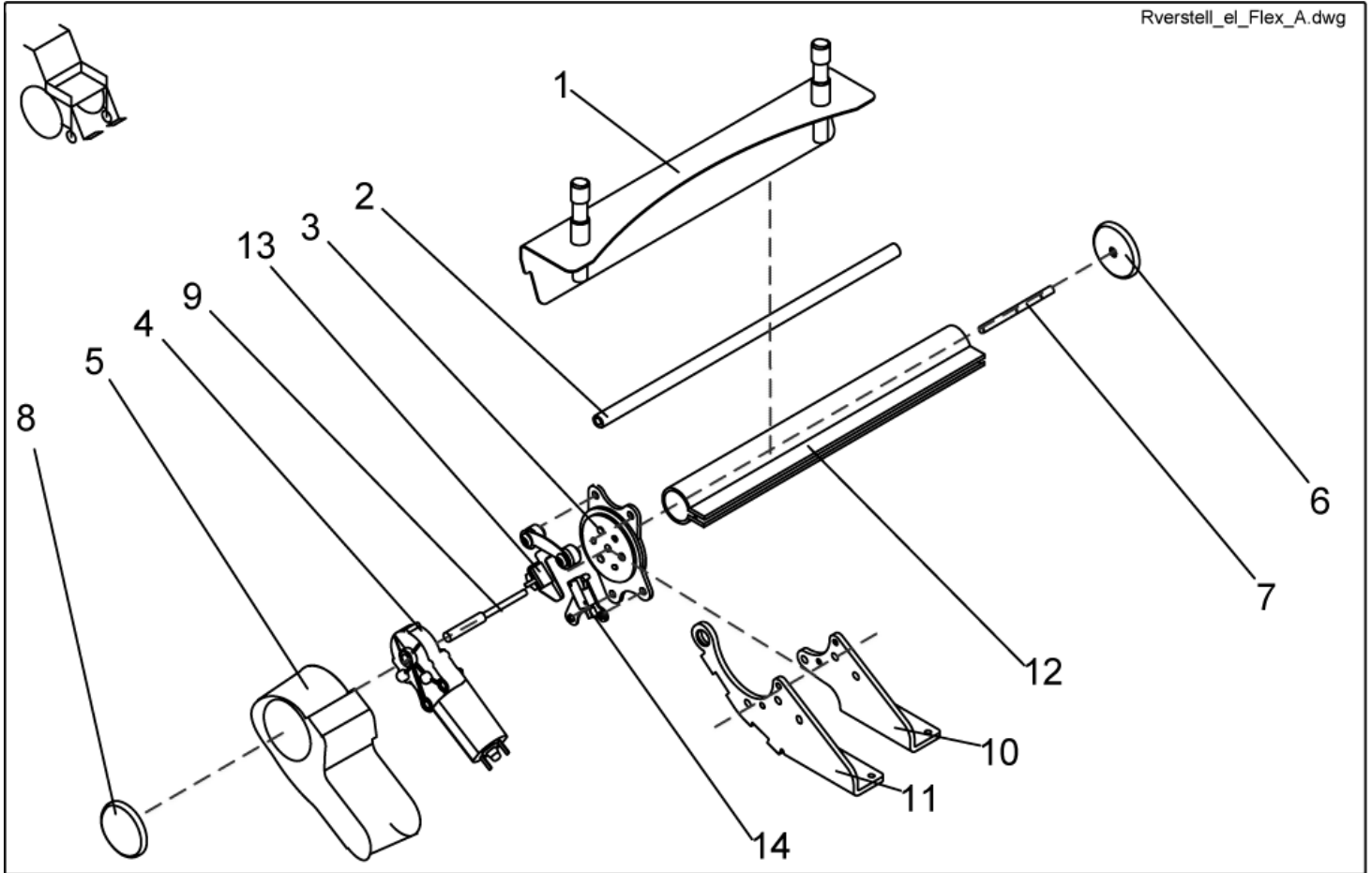
SP142212X.dwg



item	ordercode	description	quantity
-	SP1422122	MANUAL BACKREST ADJUSTMENT F. FLEX SB 39 CPL.	1
-	SP1422066	MANUAL BACKREST ADJUSTMENT SB 43 CPL.	1
-	SP1422067	MANUAL BACKREST ADJUSTMENT SB 48 CPL.	1
-	SP1425857	Manual BACK ADJUSTER, SEAT WIDTH 39CM, FOR SLIDING ARMRESTS, cpl.	1
-	1442942	Manual BACK ADJUSTER, SEAT WIDTH 43cm, FOR SLIDING ARMRESTS, cpl.	1
-	SP1425854	Manual BACK ADJUSTER, SEAT WIDTH 48cm, FOR SLIDING ARMRESTS, cpl.	1
-	SP1423210	BACKREST ADJUSTMENT ASSEMBLY KIT, CPL.	1
1	1422119-9005	BACKREST RECEPTACLE 390 MM	1
1	1419992-9005	BACKREST RECEPTACLE 430 MM	1
1	1422112-9005	BACKREST RECEPTACLE 480 MM	1
2	1420489	CONNECTING TUBE 380 MM	1
2	1420490	CONNECTING TUBE 430 MM	1
2	1420491	CONNECTING TUBE 480 MM	1
3	SP1450234	SEAT BRACE (1 PAIR)	1
4	1420483	HAND WHEEL	1
5	1421696	PERFORATED REFLECTOR; YELLOW	2
6	1420488-0002	SUPPORT SHAFT	1
7	1421713-0002	HAND WHEEL SHAFT	1
8	1420477-9005	BRACE RECEPTACLE manual/electrical LH	1
8	1420476-9005	BRACE RECEPTACLE manual RH	1
9	1429564-9005	FITTING ATTACHMENT LH F. SLIDING ARMREST	1
9	1429563-9005	FITTING ATTACHMENT RH F. MANUAL ADJUSTMENT	1
10	1442577	PROTECTIVE COVERING 380MM	1
10	1442578	PROTECTIVE COVERING 430MM	1
10	1442577	PROTECTIVE COVERING 480MM	1

Back Unit - Backrest adjustment FLEX/CONTUR el.

Rverstell_el_Flex_A.dwg

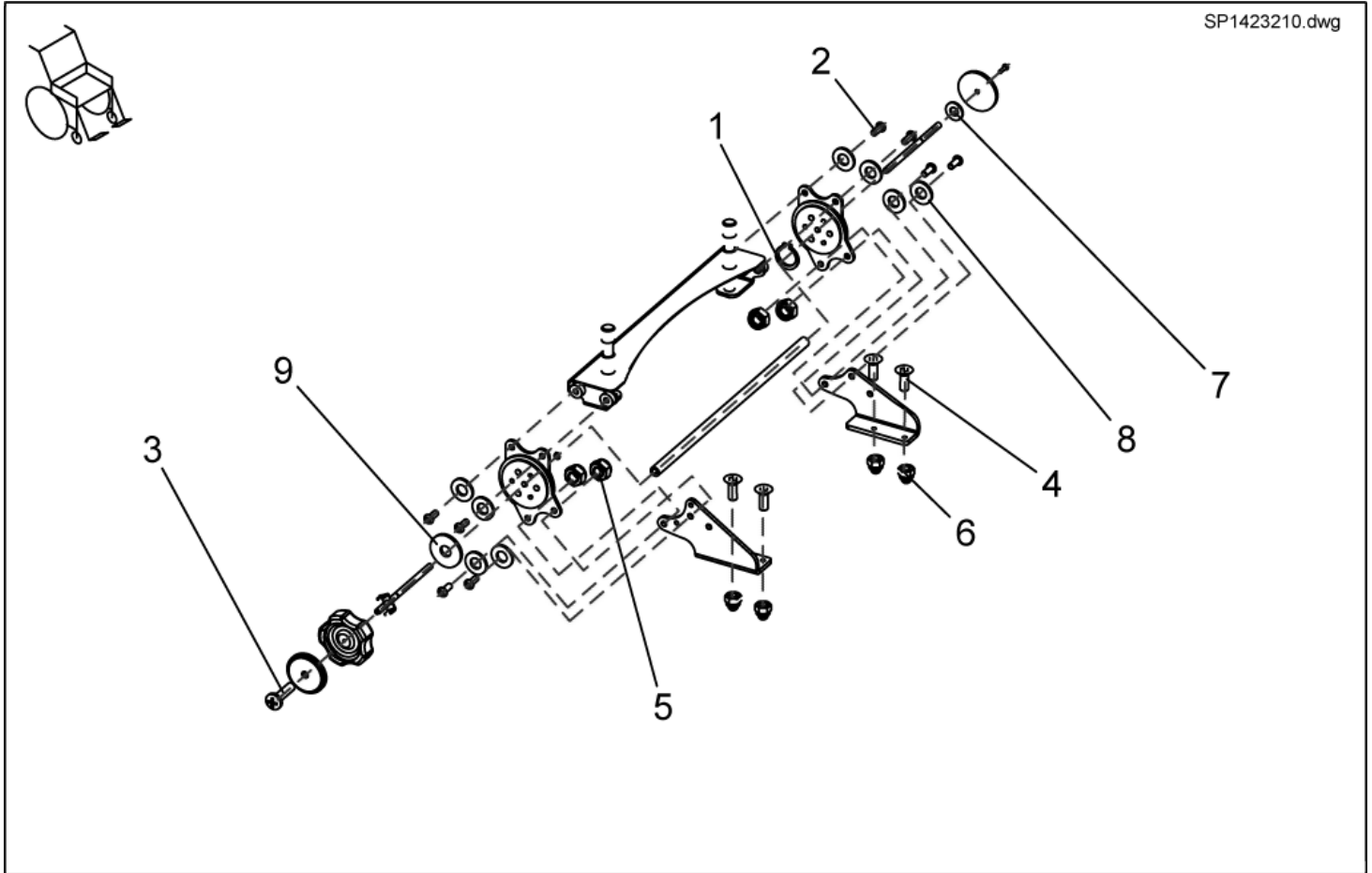


item	ordercode	description	quantity
-	SP1422123	ELECTRONIC BACKREST ADJUSTMENT F. FLEX SB 39 CPL.	1
-	SP1422068	ELECTRONIC BACKREST ADJUSTMENT SB 43 CPL.	1
-	SP1422069	ELECTRONIC BACKREST ADJUSTMENT SB 48 CPL.	1
-	SP1425858	ELECTRICAL BACK ADJUSTER, SEAT WIDTH 39CM, FOR SLIDING ARMRESTS, CPL.	1
-	SP1425855	ELECTRICAL BACK ADJUSTER, SEAT WIDTH 43CM, FOR SLIDING ARMRESTS, CPL.	1
-	SP1425856	ELECTRICAL BACK ADJUSTER, SEAT WIDTH 48CM, FOR SLIDING ARMRESTS, CPL.	1
-	SP1423210	BACKREST ADJUSTMENT ASSEMBLY KIT, CPL.	1
1	1422119-9005	BACKREST RECEPTACLE 390 MM	1
1	1419992-9005	BACKREST RECEPTACLE 430 MM	1
1	1422112-9005	BACKREST RECEPTACLE 480 MM	1
2	1420489	CONNECTING TUBE 380 MM	1
2	1420490	CONNECTING TUBE 430 MM	1
2	1420491	CONNECTING TUBE 480 MM	1
3	SP1423211	SEAT BRACE (1 PAIR)	1
4	1420475	GEAR MOTOR GMPG	1
5	1420998	MOTOR CAP	1
6	1421696	PERFORATED REFLECTOR; YELLOW	2
7	1420488-0002	SUPPORT SHAFT	1
8	1420482	REFLECTOR	1
9	1420487-0002	MOTOR SHAFT	1
10	1420477-9005	BRACE RECEPTACLE manual/electrical LH	1
10	1421708-9005	BRACE RECEPTACLE electrical, RH	1
11	1429564-9005	FITTING ATTACHMENT LH F. SLIDING ARMREST	1
11	1429563-9005	FITTING ATTACHMENT RH F. MANUAL ADJUSTMENT	1
12	1442577	PROTECTIVE COVERING 380MM	1
12	1442578	PROTECTIVE COVERING 430MM	1
12	1442577	PROTECTIVE COVERING 480MM	1

item	ordercode	description	quantity
13	SP1423212	SOLID ANGLE SENSOR CPL.	1
14	SP1423213	LIMIT STOP SWITCH CPL.	1

Back Unit - Backrest adjustment ASSEMBLY KIT, cpl.

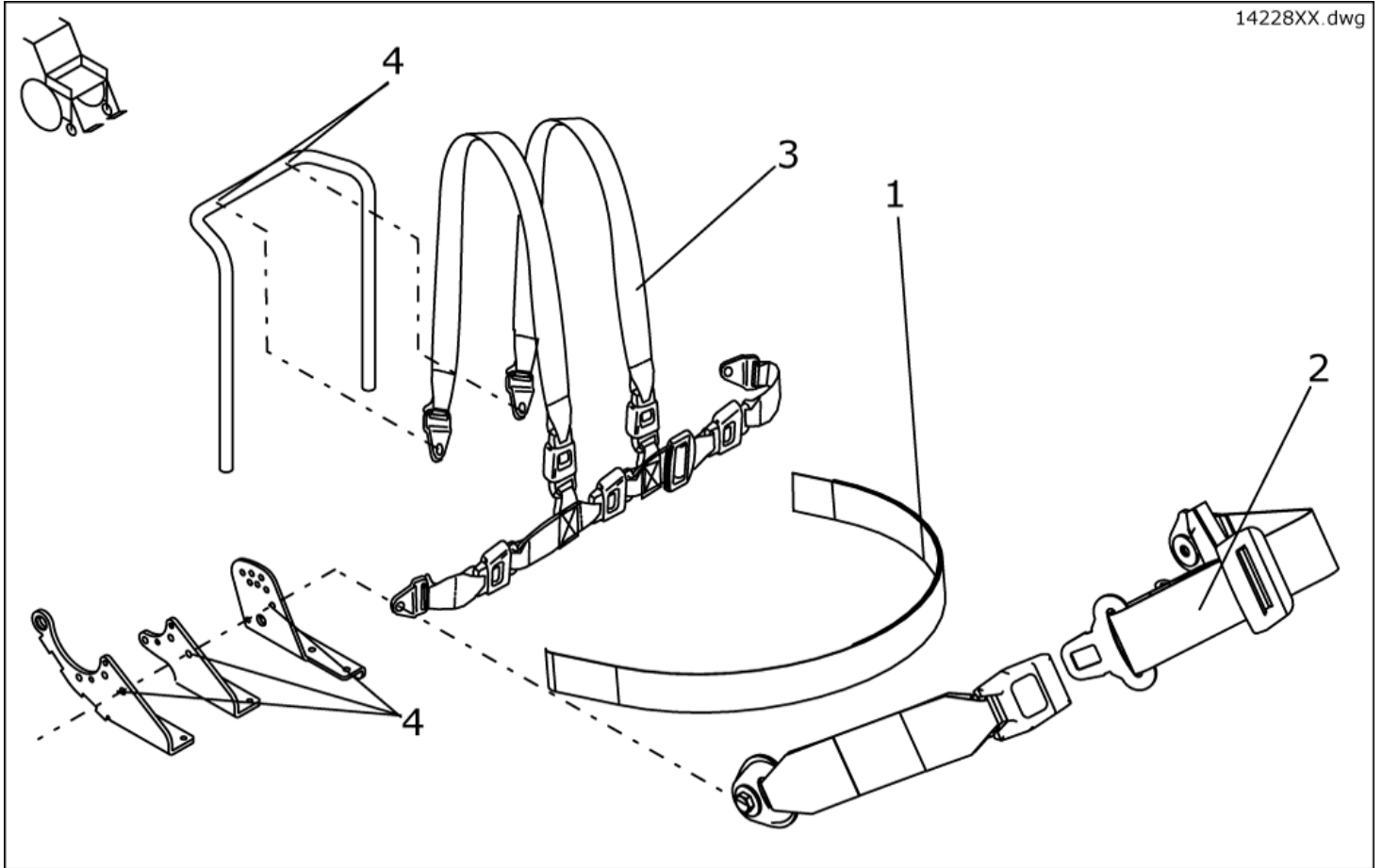
SP1423210.dwg



item	ordercode	description	quantity
-	SP1423210	BACKREST ADJUSTMENT ASSEMBLY KIT, CPL.	1
1	NA	RETAINING RING	2
2	NA	SCREW M8 X 20	8
3	NA	CROSS HEAD SCREW M4 X 16	2
4	NA	COUNTERSUNK SOCKET HEAD SCREW M6 X 16	4
5	NA	NYLOC NUT M8	4
6	NA	DOMED NYLOC NUT M6, SELF-LOCKING	4
7	NA	WASHER 4,3 X 9 X 0,8	1
8	NA	WASHER 8,4 X 17 X 1,6	11
9	NA	WASHER 8,4 X 25 X 2	1

Back Unit - Retaining belts

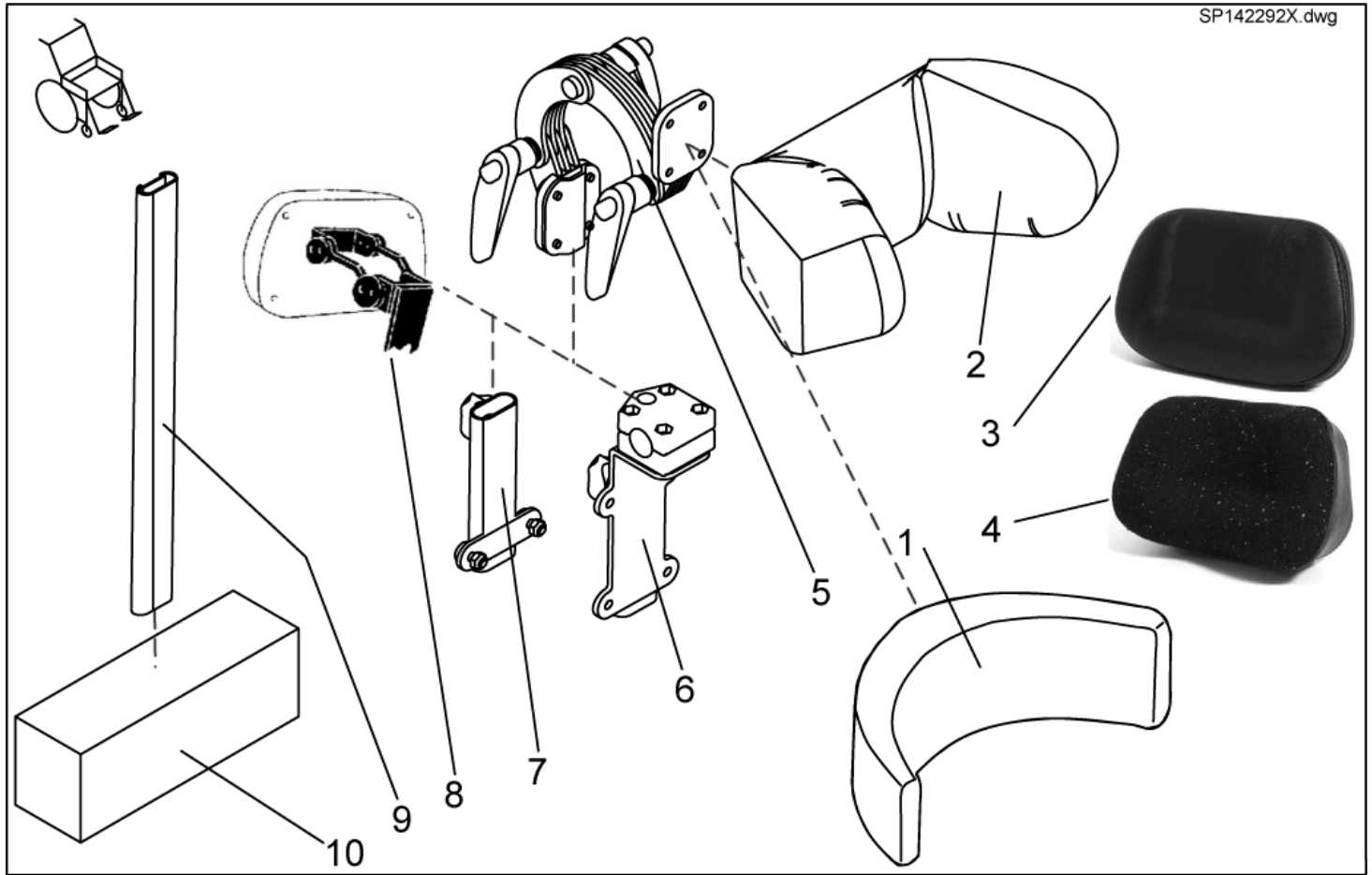
14228XX.dwg



item	ordercode	description	quantity
1	1422869	POSITIONING STRAP W. VELCRO CPL. FOR STANDARD-SEAT	1
1	1422870	POSITIONING STRAP W. VELCRO CPL. FOR FLEX/CONTOUR-SEAT	1
1	F367002	SAFETY BELT WITH VELCRO FASTNER F. RECARO	1
2	1422845	POSITIONING STRAP W. SNAP CPL. FOR STANDARD-SEAT	1
2	1422846	POSITIONING STRAP W. SNAP CPL. FOR FLEX/CONTOUR	1
2	Z163001A	SAFETY BELT WITH SNAP LOCK AND VELCRO FASTNER FOR RECARO	1
3	1422848	H-STRAP STD./CONTOUR	1
3	1422847	H-STRAP FLEX	1
4	NA	SCREW-DOWN POINTS FOR RETAINING BELTS	2, 4

Back Unit - Head rests

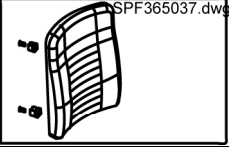
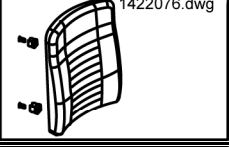
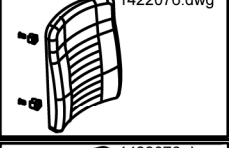

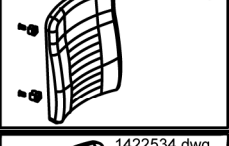






ONLY FOR SEAT SYSTEMS WITHOUT HEADREST.

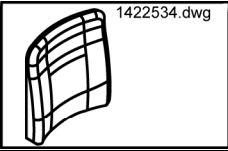
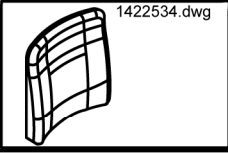
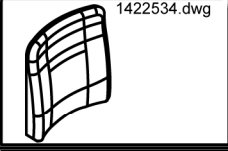
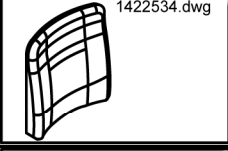
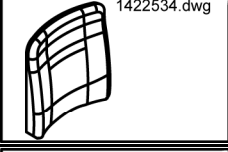
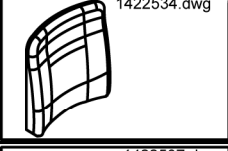



item	ordercode	description	quantity
1,5	SP1422925	HEADREST CONTOUR BLACK CPL.	1
2,5	SP1423163	HEADREST FLEX GREY CPL.	1
2,5	SP1428092	HEADREST FLEX, DARTEX GREY, COMPLETE	1
2,5	SP1422926	HEADREST FLEX BLUE CPL.	1
2,5	SP1440285	HEADREST FLEX, BLACK COMPLETE	1
1	1422865	HEADREST PAD STD./CONTOUR BLACK	1
2	5252230-TR04	HEADREST PAD FLEX GREY	1
2	1422544	HEADREST PAD FLEX BLUE	1
3	1419640	Head rest pad Arne Jensen Standard children	1
3	5313999	Head rest pad Arne Jensen Standard adults	1
4	1419646	Head rest pad Arne Jensen Type 4 children	1
4	1419643	Head rest pad Arne Jensen Type 4 adults	1
5	5255497	HEADREST HOLDER	1
6	SP1422914	HEADREST HOLDER F. STD. SEAT SYSTEM CPL.	1
7	SP1422547	HEADREST HOLDER F. CONTOUR/FLEX. SEAT SYSTEM CPL.	1
8	1419637	Head rest holder Arne Jensen Type 3 children	1
8	1419636	Head rest holder Arne Jensen Type 3 adults	1
9	1422921	HOLDER F. BACKREST EXTENSION	1
10	5253035-TR04	BACKREST EXTENSION SB 39; GREY	1
10	5253035-TR23	BACKREST EXTENSION REA 704 SB 39; DARTEX GREY	1
10	SP1422918	BACKREST EXTENSION FLEX SB 39; BLUE	1
10	SP1436567	BACKREST EXTENSION FLEX SB 39; BLACK	1
10	5253036-TR04	BACKREST EXTENSION SB 44; GREY	1
10	5253036-TR23	BACKREST EXTENSION REA 704 SB 43; DARTEX GREY	1

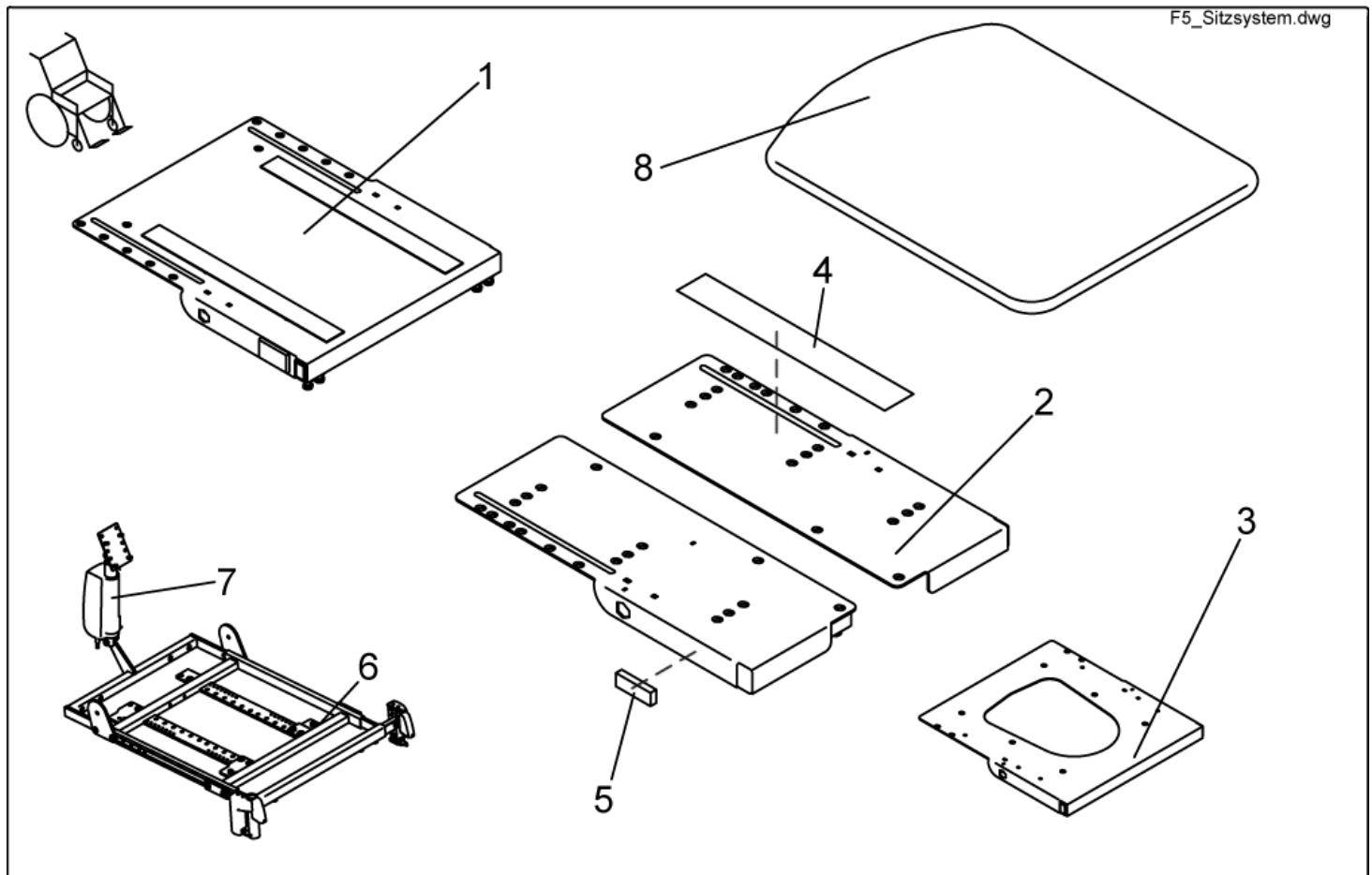
item	ordercode	description	quantity
10	SP1422919	BACKREST EXTENSION FLEX SB 43; BLUE	1
10	SP1436568	BACKREST EXTENSION FLEX SB 43; BLACK	1
10	5253037-TR04	BACKREST EXTENSION SB 49; GREY	1
10	5253037-TR23	BACKREST EXTENSION REA 704 SB 48; DARTEX GREY	1
10	SP1422920	BACKREST EXTENSION FLEX SB 48; BLUE	1
10	SP1440283	BACKREST EXTENSION FLEX SB 48; BLACK	1

Back Unit - Backrest Upholstery

Picture	Seat system	Seat width cm	color	ordercode
 SPF365037.dwg	Euro-Kontur-Sitz	n.a	grey	SPF365037
 1422076.dwg	Kontur	43	black	SP1422076
 1422076.dwg	Kontur	43	grey	SP1422075
 1422076.dwg	Kontur	48	black	SP1422078
 1422076.dwg	Kontur	48	grey	SP1422077
 1422534.dwg	Flex	39	blue	1422534
 1422534.dwg	Flex	39	Vinyl grey	5252506-TR04
 1422534.dwg	Flex	39	Dartex grey	5252506-TR23
 1422534.dwg	Flex	39	black	1436564
 1422534.dwg	Flex	43	blue	1422535
 1422534.dwg	Flex	43	Vinyl grey	5252507-TR04

Picture	Seat system	Seat width cm	color	ordercode
 1422534.dwg	Flex	43	Dartex grey	5252507-TR23
 1422534.dwg	Flex	43	black	1436565
 1422534.dwg	Flex	48	blue	1422536
 1422534.dwg	Flex	48	Vinyl grey	5252508-TR04
 1422534.dwg	Flex	48	Dartex grey	5252508-TR23
 1422534.dwg	Flex	48	black	1436566
 1422537.dwg	Flex Vic Air	43	VicAir	1422537

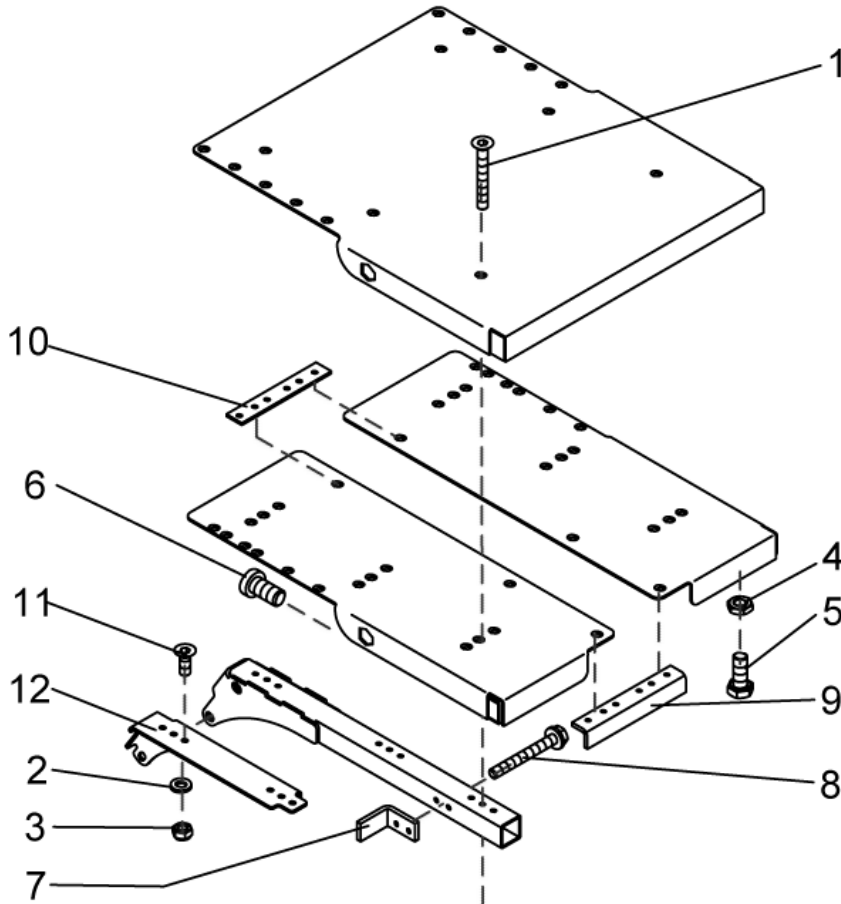
Seat Support/ Plate



item	ordercode	description	quantity
1	SP1422060	SEAT PLATE (ONE PIECE) COMPLETE	1
1	1419999-9005	SEAT PLATE	1
1	SP1423205	SEAT MOUNTING KIT (ONE-PIECE VERSION)	1
2	SP1422121	SEAT PLATE, FLEX F. SB 39 CPL.	1
2	SP1422064	SPLIT SEAT SB 43 CPL.	1
2	SP1422065	SPLIT SEAT SB 48 CPL.	1
2	1420458-9005	SEAT PLATE LH CPL.	1
2	1420457-9005	SEAT PLATE RH CPL.	1
2	SP1423206	SEAT (SPLIT) ASSEMBLY KIT	1
2	1444732	ASSEMBLY KIT FOR SPLIT SEAT SB 43cm	1
2	1444733	ASSEMBLY KIT FOR SPLIT SEAT SB 48cm	1
2	1436355	INSTALLATION KIT BRACKET SEAT REINFORCEMENT (RH + LH)	1
3	SP1423183	SEAT PLATE RECARO CPL.	1
3	1423174-9005	RECARO SEAT PLATE	1
4	U21087	CUSHION FIXING STRIP - VELCRO FASTENER (HOOKED) 38 X 400	2
5	P31298	REFLECTOR, YELLOW	2
6	SP1428110	SEAT SUPPORT Optimist, Seat width 45cm, complete	1
7	1419417	MOTOR LA 28.1-100-24-001	1
8	5314532	SEAT PLATE 410 X 520 MM	1
8	5314533	SEAT PLATE 460 X 520 MM	1

Mounting kit seat plate

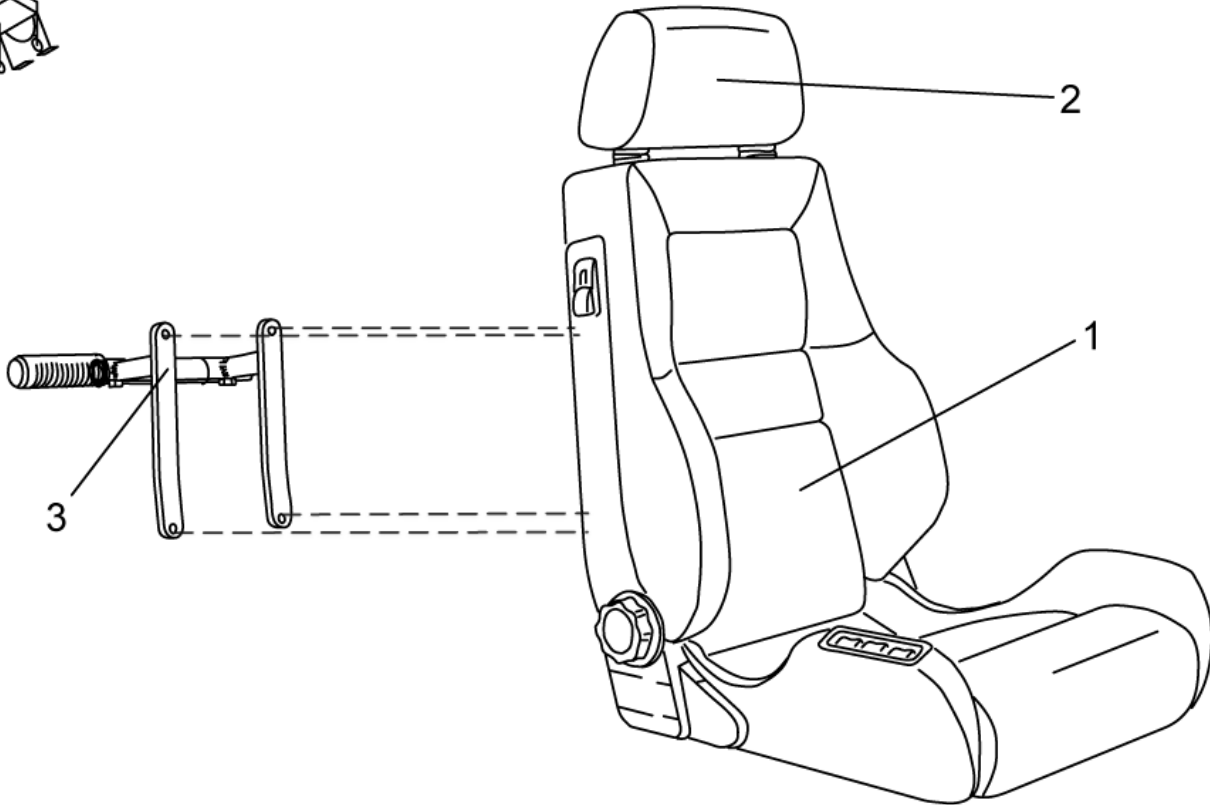
1423205.dwg



item	ordercode	description	quantity
1-8	SP1423205	SEAT MOUNTING KIT (ONE-PIECE VERSION)	1
1,2,3,4,5,6,7,8,9,10,11	SP1423206	SEAT (SPLIT) ASSEMBLY KIT	1
1,2,3,4,5,6,7,8,9,10,11	1444732	ASSEMBLY KIT FOR SPLIT SEAT SB 43cm	1
1,2,3,4,5,6,7,8,9,10,11	1444733	ASSEMBLY KIT FOR SPLIT SEAT SB 48cm	1
2,3, 11,12	1436355	INSTALLATION KIT BRACKET SEAT REINFORCEMENT (RH + LH)	1
1	NA	COUNTERSUNK SOCKET HEAD SCREW M6 X 45 10.9	6
2	NA	WASHER 6,4 X 12,5 X 1,6	10
3	NA	NYLOC NUT M6	10
4	NA	HEX NUT M8	4
5	NA	HEX HEAD SCREW M8 X 20	4
6	NA	BOLT M10 X 20	2
7	1421700-9005	ANGLE BRACKET RH, SB 43	1
7	1421705-9005	SEAT ANGLE LH SB 48	1
7	1421701-9005	ANGLE BRACKET LH, SB 43	1
7	1421706-9005	SEAT ANGLE RH, SB 48	1
8	NA	BOLT M6 X 50	4
9	NA	ANGLE BRACE	1
10	NA	REINFORCING PLATE	1
11	NA	COUNTERSUNK SOCKET HEAD SCREW M6 X 16	4
12	NA	BRACKET SEAT REINFORCEMENT LH	1
12	NA	BRACKET SEAT REINFORCEMENT RH	1

RECARO-Seat

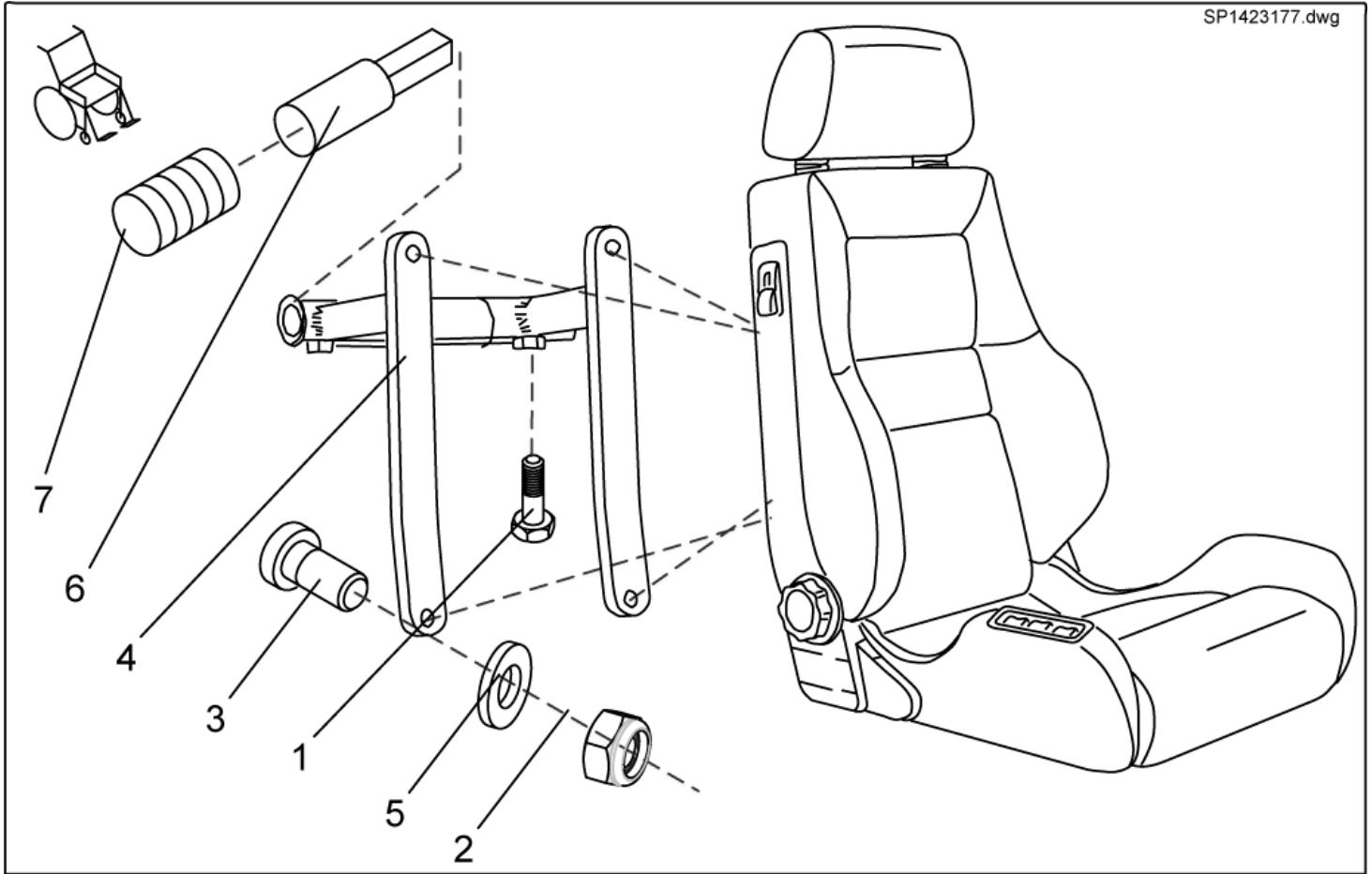
F3_RECARO-Sitz.dwg



item	ordercode	description	quantity
1	SP1422546	RECARO SEAT N-JOY WITH MOUNTING KIT	1
1	SP1420495	RECARO SEAT MOBILITY WITH MOUNTING KIT	1
-	SP1423173	RECARO SEAT MOUNTING KIT	1
-	F367002	SAFETY BELT WITH VELCRO FASTNER F. RECARO	1
-	Z163001A	SAFETY BELT WITH SNAP LOCK AND VELCRO FASTNER FOR RECARO	1
2	N89999	HEADREST - SPORT NARDO	1
3	SP1423177	HOLDER F. PUSH HANDLE RECARO CPL.	

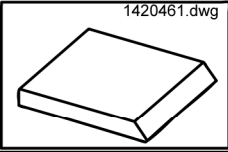
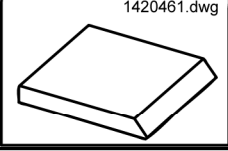
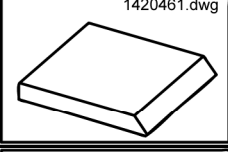

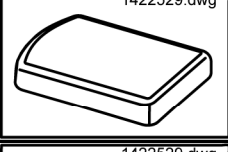
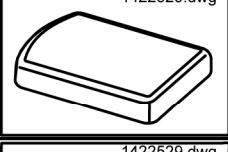
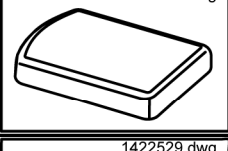
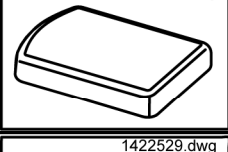
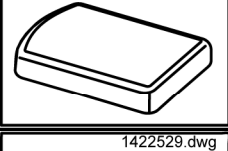
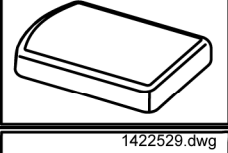
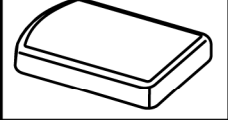
Holder for push handle RECARO cpl.

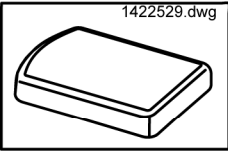
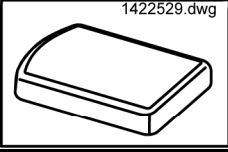









WE RECOMMEND RETROFITTING AT THE FACTORY!

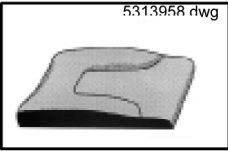





item	ordercode	description	quantity
-	SP1423177	HOLDER F. PUSH HANDLE RECARO CPL.	1
-	NA	SEAT SETTING STRAP	1
-	NA	TUBE END PLUG SL 22	2
-	NA	TUBE END PLUG E 15 X 15	2
1	NA	HEX HEAD SCREW M8 X 20	2
2	NA	DIN 936 M8 17H BLACK GALVANISED HEX NUT THIN	2
2	NA	NYLOC NUT M6	2
3	NA	HEX HEAD SCREW M6 X 40	4
4	NA	HOLDER FOR PUSH HANDLE RECARO; RAL 9005, DEEP BLACK	1
5	NA	WASHER 6,4 X 12,5 X 1,6	4
6	NA	HANDLE; RAL 9005 DEEP BLACK	2
7	L10009	HANDLE	2

Chushion

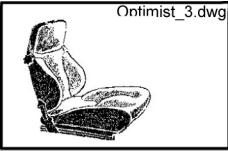
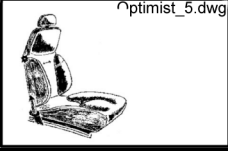
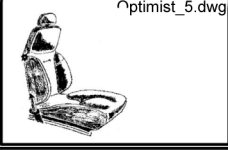
Picture	Seat system	Seat width cm	Seat depth cm	color	ordercode
	Standard	n.a.	41	black	1420460
	Standard	n.a.	46	black	1420461
	Standard	n.a.	51	black	1420462
	Flex	39	n.a.	Dartex grey	5252582-TR23
	Flex	39	n.a.	Vinyl grey	5314542
	Flex	39	n.a.	blue	1422529
	Flex	39	n.a.	black	1436561
	Flex	43	n.a.	Dartex grey	5252583-TR23
	Flex	43	n.a.	Vinyl grey	5314525
	Flex	43	n.a.	blue	1422530
	Flex	43	n.a.	blue	1436562

Picture	Seat system	Seat width	Seat depth	color	ordercode
		cm	cm		
	Flex	48	n.a.	Dartex grey	5252584-TR23
	Flex	48	n.a.	Vinyl grey	5314526
	Flex	48	n.a.	blue	1422532
	Flex	48	n.a.	black	1436563
	Flex Vic Air	43	n.a.	VicAir	1422531
	Kontur	43	n.a.	black	1422072
	Kontur	48	n.a.	black	1422074
	Sitzschutz Comfort Flex	39	n.a.	blue	5253078-TR25
	Sitzschutz Comfort Flex	43	n.a.	blue	5253079-TR25
	Sitzschutz Comfort Flex	48	n.a.	blue	5253080-TR25
	positiv	45	n.a.	black	1419632
	positiv	45	n.a.	black	5313953
	positiv	45	n.a.	black	5314038
	negativ	45	n.a.	black	1419633

Picture	Seat system	Seat width	Seat depth	color	ordercode
		cm	cm		
 <p>5313958 r/wg</p>	negativ	45	n.a.	black	5313958
 <p>5313962 r/wg</p>	paraplegic	45	n.a.	black	1419634
 <p>5313962 r/wg</p>	paraplegic	45	n.a.	black	5313962
 <p>5313962 r/wg</p>	paraplegic	45	n.a.	black	5314044

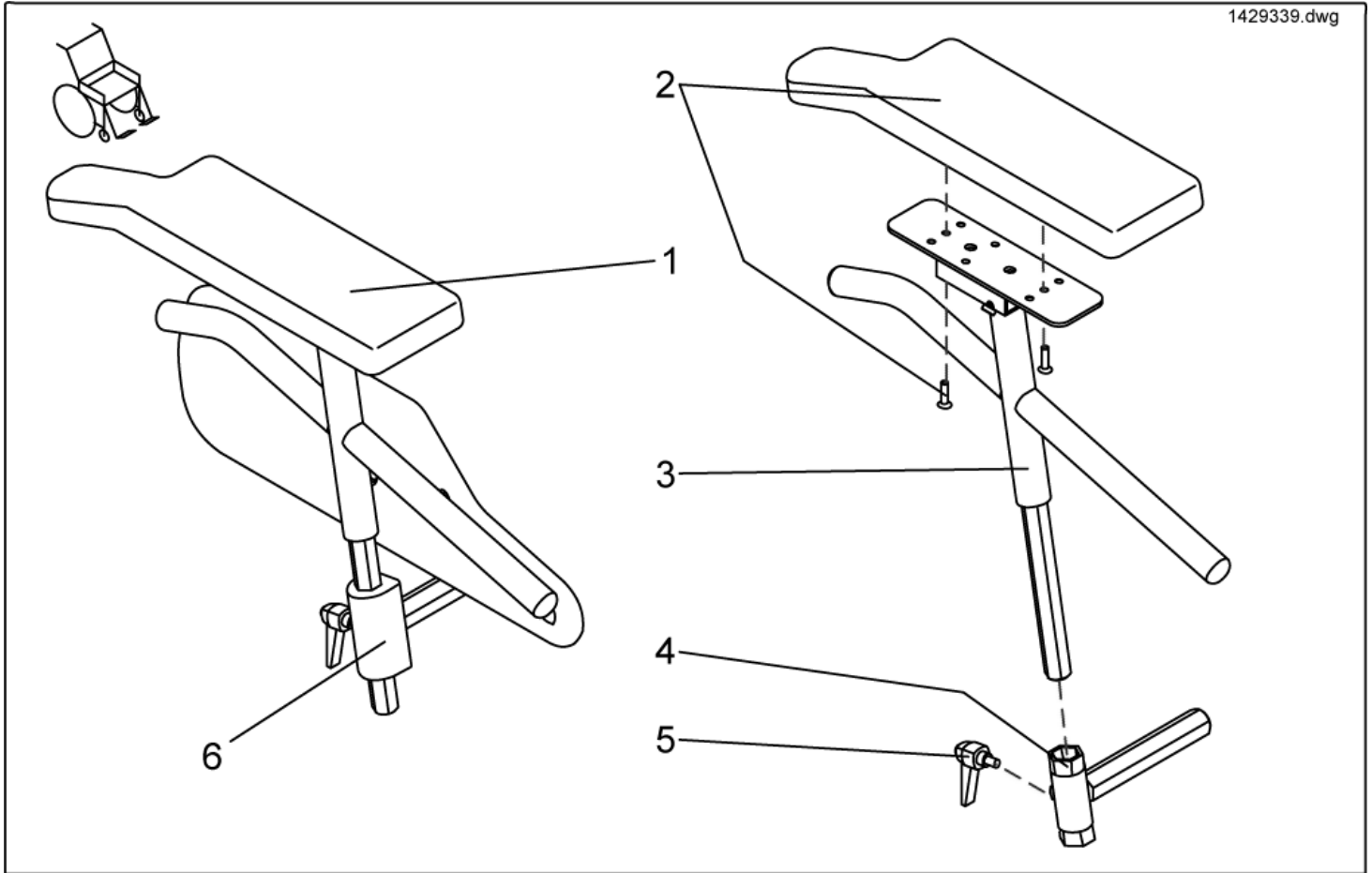
Arne Jensen-Seats

Picture	Typ	Seat height cm	Seat width cm	el. strap	ordercode
	1	46	38	-	1419630
	1	46	45	-	5313888
	1	60	45	-	5313889
	1	60	50	-	1419625
	2	46	38	-	1419631
	2	46	38	X	5313867
	2	46	45	-	5313882
	2	60	45	-	5313883
	2	60	45	X	5313895
	2	60	50	-	1419628
	3	60	45	-	5313878

Picture	Typ	Seat height cm	Seat width cm	el. strap	ordercode
	3	70	50	-	5313877
	5	60	45	-	5313872
	5	70	50	-	5313871

Side Panels - Euro Side Panels

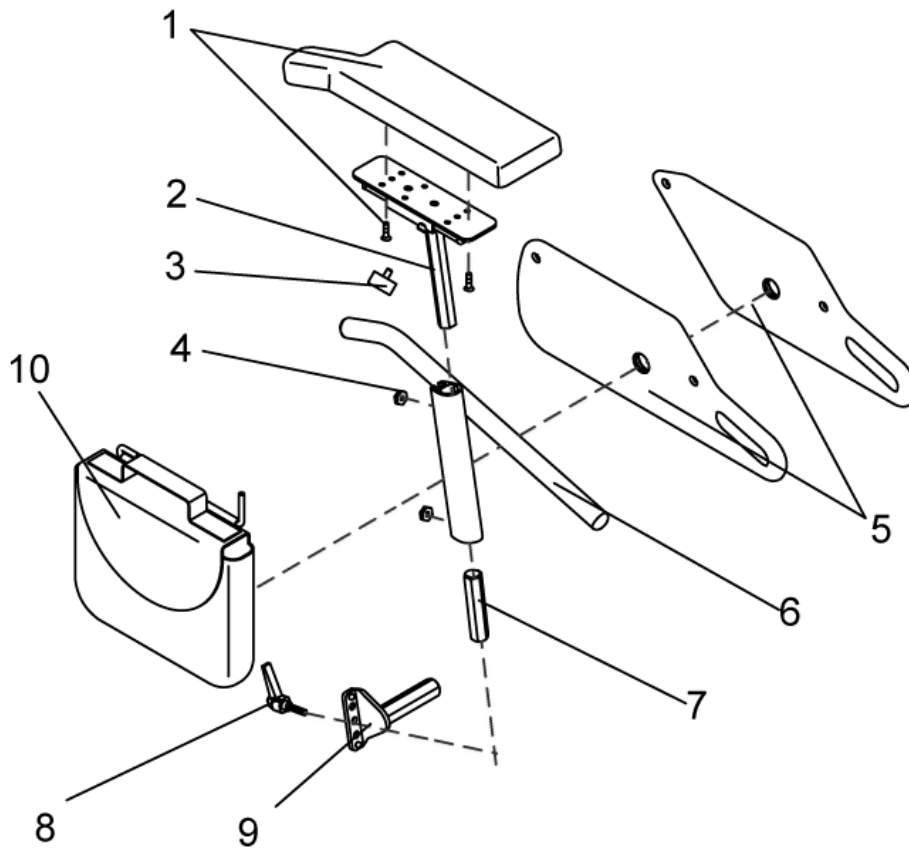
1429339.dwg



item	ordercode	description	quantity
1	1429339	ARMREST RH CPL. (EURO)	1
1	1429340	ARMREST LH CPL. (EURO)	1
2	SP1423224	ARMREST PAD LH CPL.	1
2	SP1423221	ARMREST PAD RH CPL.	1
3	1428474-9005	ARM SUPPORT LH CPL.	1
3	1428470-9005	ARM SUPPORT RH CPL.	1
4	1428459-9005	SIDE PANEL MOUNTING LH	1
4	1428465-9005	SIDE PANEL MOUNTING RH	1
5	L32902	LEVER M6 X 10; BLACK	2
6	1430359	Abdeckkappe Seitenteil RH, rechts	1
6	1430211	Abdeckkappe Seitenteil LH, links	1

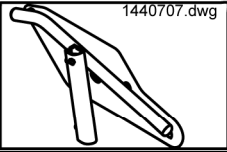
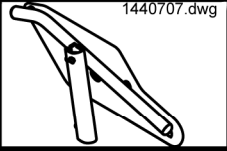

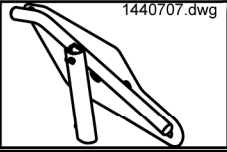
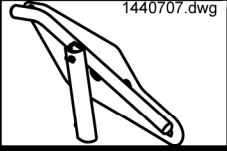

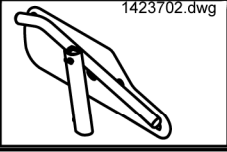
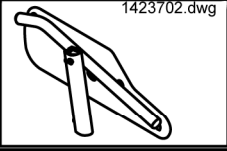

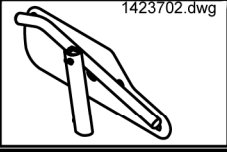
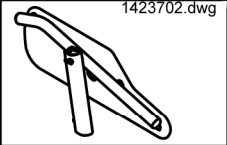

Side Panels - Standard Side Panels

Seitenteile.dwg



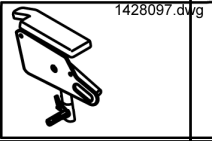
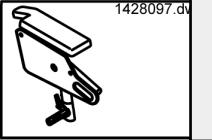
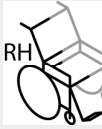
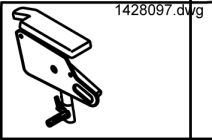
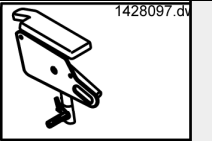
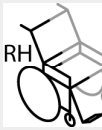
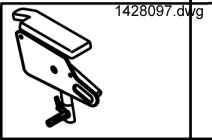
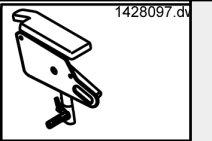
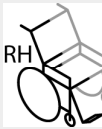
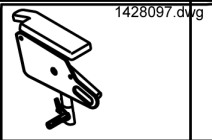
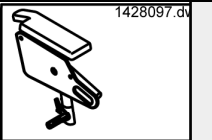
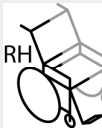
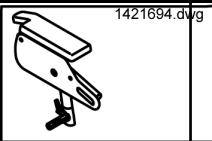
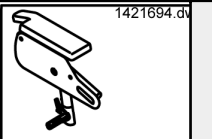
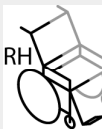
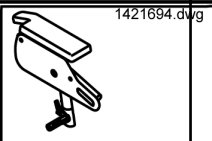
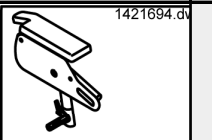
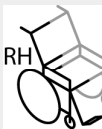
item	ordercode	description	quantity
1,2,3,4,5,6,7,8,9	NA	Armrest assemblies complete »»» see "Standard Armrest assemblies cpl."	2
1	SP1423224	ARMREST PAD LH CPL.	1
1	SP1423221	ARMREST PAD RH CPL.	1
2	1421717-9005	ARM PAD RECEPTACLE LH	1
2	1421716-9005	ARM PAD RECEPTACLE RH	1
3	L31001	HAND KNOB M6 X 10	4
4	Z173189.99	NUT M6 SW-14	4
5	NA	»»» see "SIDE PART PLATES COMPLETE WITH ADJUSTMENT"	
6	1422095-9005	SIDE PART ADJUSTMENT LH CPL. 250-340 MM	1
6	1422096-9005	SIDE PART ADJUSTMENT RH CPL. 250-340 MM	1
6	1422099-9005	SIDE PART ADJUSTMENT LH CPL. 290-380 MM	1
6	1422098-9005	SIDE PART ADJUSTMENT RH CPL. 290-380 MM	1
7	1422092-0002	CONNECTION PIECE	2
8	1415027	CLAMP LEVER M6 X 25	2
9	NA	»»» see "SIDE PART RECEPTACLES COMPLETE"	
9	NA	»»» see "SIDE PART RECEPTACLES SINGLE"	
10	SP1430417	BAG FOR SIDE PANEL LH CPL.	1
10	SP1430416	BAG FOR SIDE PANEL RH CPL.	1

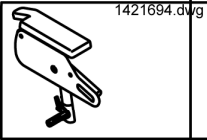
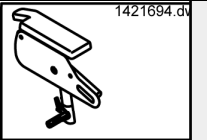
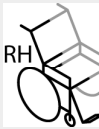
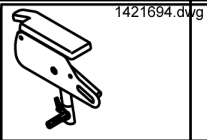
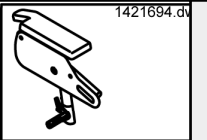
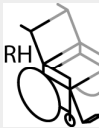
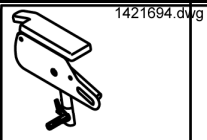
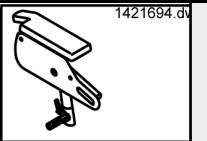
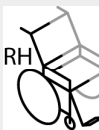
Side Panels - Side part plates complete with side part adjustment

Picture	Seat depth cm	Height cm	left/ right	ordercode
	41	34		1440707
	41	34		1440708
	41	38		1440705
	41	38		1440706
	41...	34		SP1423702
	41...	34		SP1423222
	41...	38		SP1423703
	41...	38		SP1423701

- ✓ **Information:** The height of the side parts is settable. Preset is 34cm or 38cm.
- Parts with **34cm** are settable between **30cm and 40cm**.
 - Parts with **38cm** are settable between **34cm and 44cm**.

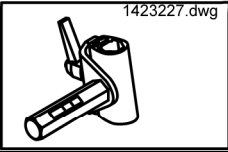
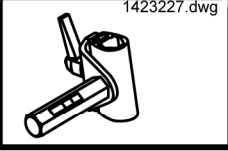


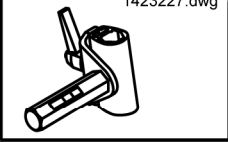

Side Panels - Side Panels for Standard seatheight

Picture	Seat system	Seat depth cm	Height cm	Seat width cm	left/ right	ordercode
	Flex	41	34	39		SP1428101
	Flex	41	34	39		SP1428100
	Standard/Kontur/Flex	41	34	39...		SP1428097
	Standard/Kontur/Flex	41	34	39...		SP1428096
	Flex	41	38	39		SP1428103
	Flex	41	38	39		SP1428102
	Standard/Kontur/Flex	41	38	39...		SP1428099
	Standard/Kontur/Flex	41	38	39...		SP1428098
	Flex	41...	34	39		SP1422543
	Flex	41...	34	39		SP1422542
	Standard/Kontur/Flex	41...	34	39...		SP1421694
	Standard/Kontur/Flex	41...	34	39...		SP1421692

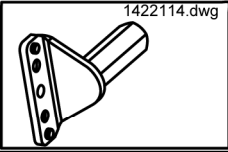
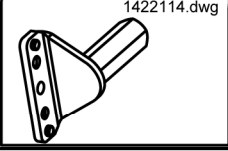

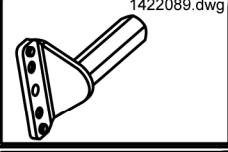
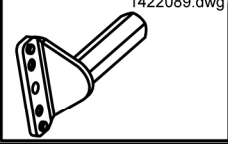

Picture	Seat system	Seat depth	Height	Seat width	left/ right	ordercode
		cm	cm	cm		
	Flex	41...	38	39		SP1422549
	Flex	41...	38	39		SP1422548
	Standard/Kontur/Flex	41...	38	39...		SP1421695
	Standard/Kontur/Fle	41...	38	39...		SP1421693
	RECARO	n.a.	38	n.a.		SP1425846
	RECARO	n.a.	38	n.a.		SP1425845

- ✓ **Information:** The height of the side parts is settable. Preset is 34cm or 38cm.
- Parts with **34cm** are settable between **30cm and 40cm**.
 - Parts with **38cm** are settable between **34cm and 44cm**.

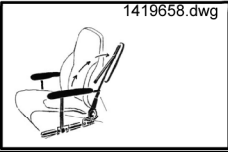















Side Panels - Side part receptacles complete



Picture	Seat width cm	left/ right	ordercode
	39		SP1423227
	39		SP1423226
	39...		SP1423225
	39...		SP1423223

Side Panels - Side part receptacles single

Picture	Seat width cm	left/ right	ordercode
	39		1422115-9005
	39		1422114-9005
	39...		1422097-9005
	39...		1422089-9005

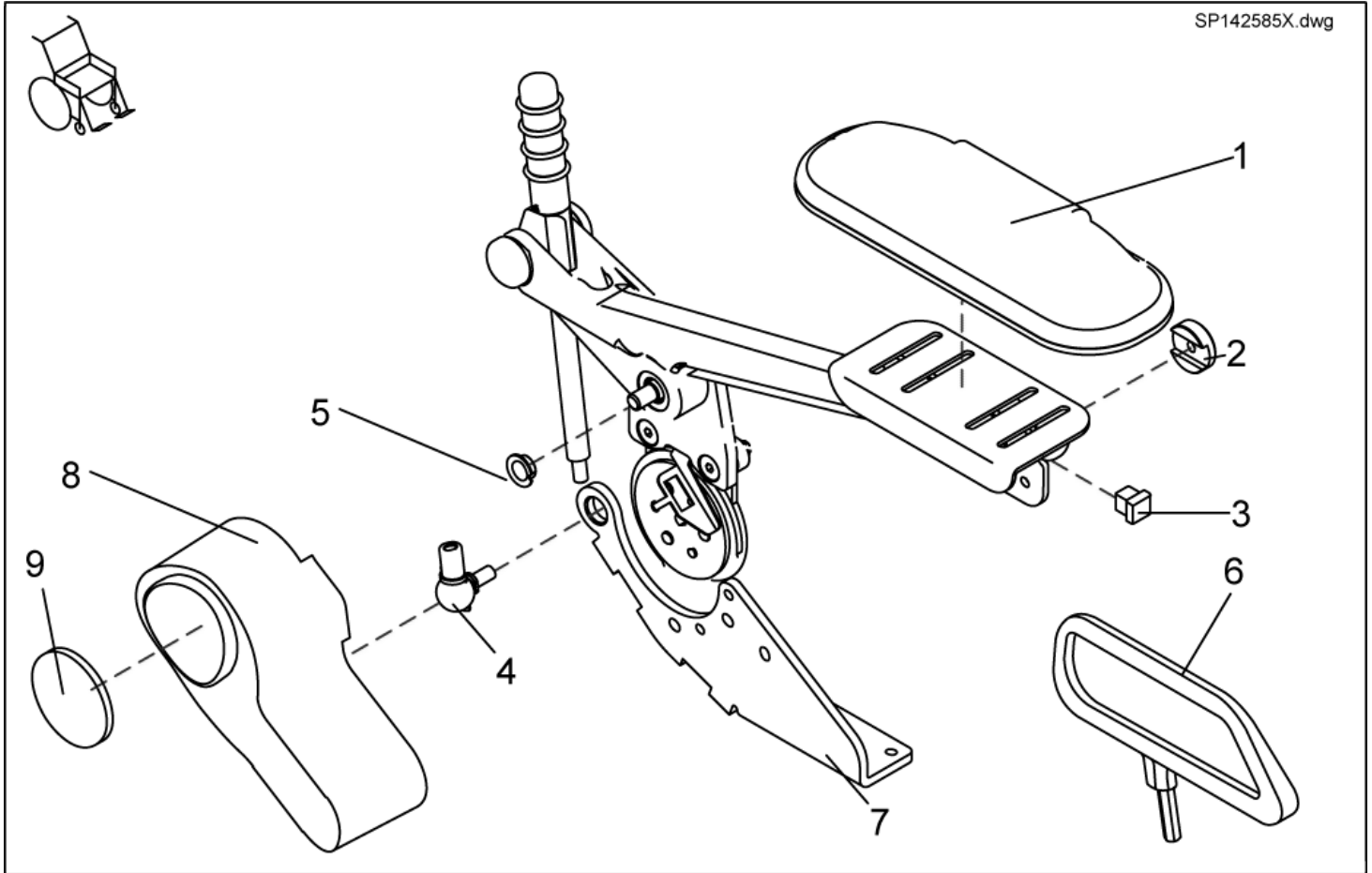
Side Panels - Side Panels for Arne Jensen-Seats

Picture	length mm	left/ right	ordercode
	300		1419658
	300		1419657
	350		1419660
	350		1419659
	400		1419662
	400		1419661
	300		1419648
	300		1419647
	350		5314010S
	350		5314011
	400		5314010

Picture	length	left/ right	ordercode
	mm		
	400		5314011L

Side Panels - Sliding Armrests

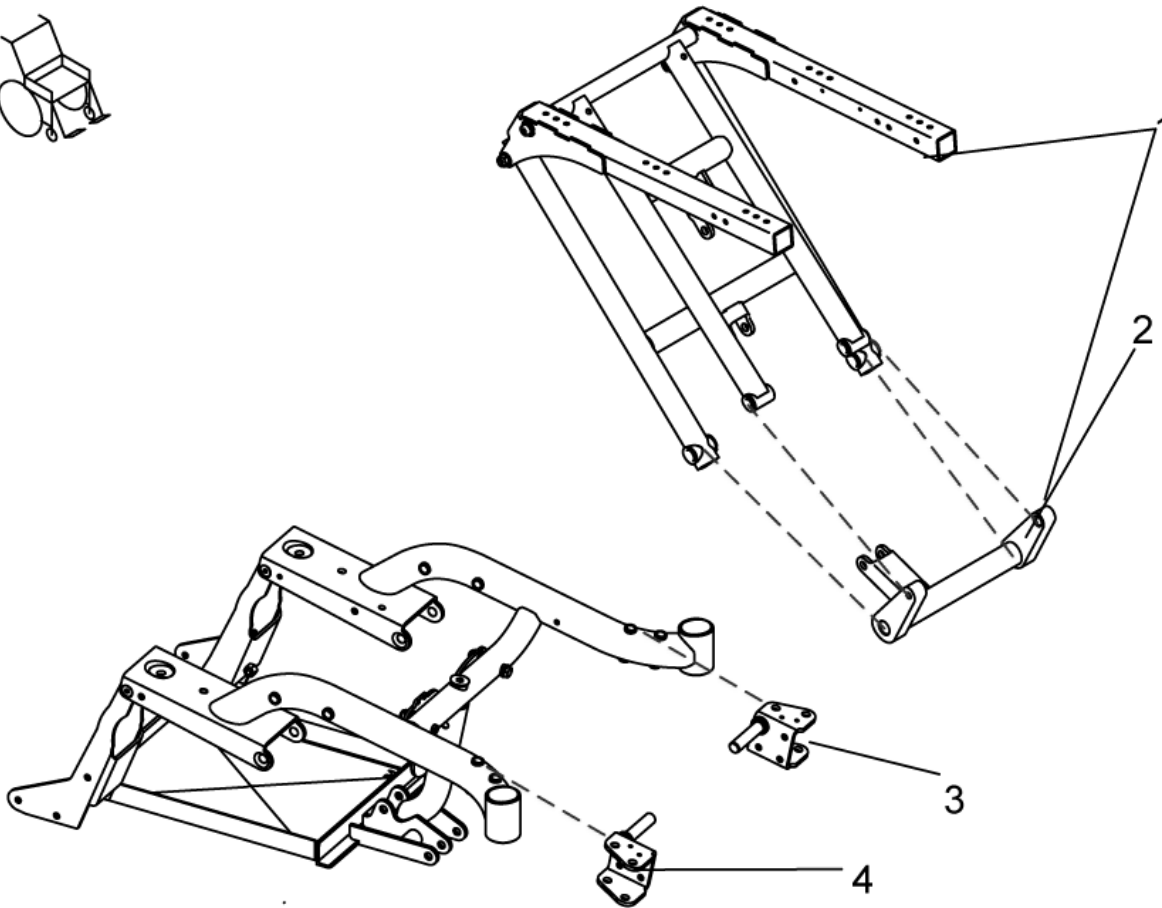
SP142585X.dwg



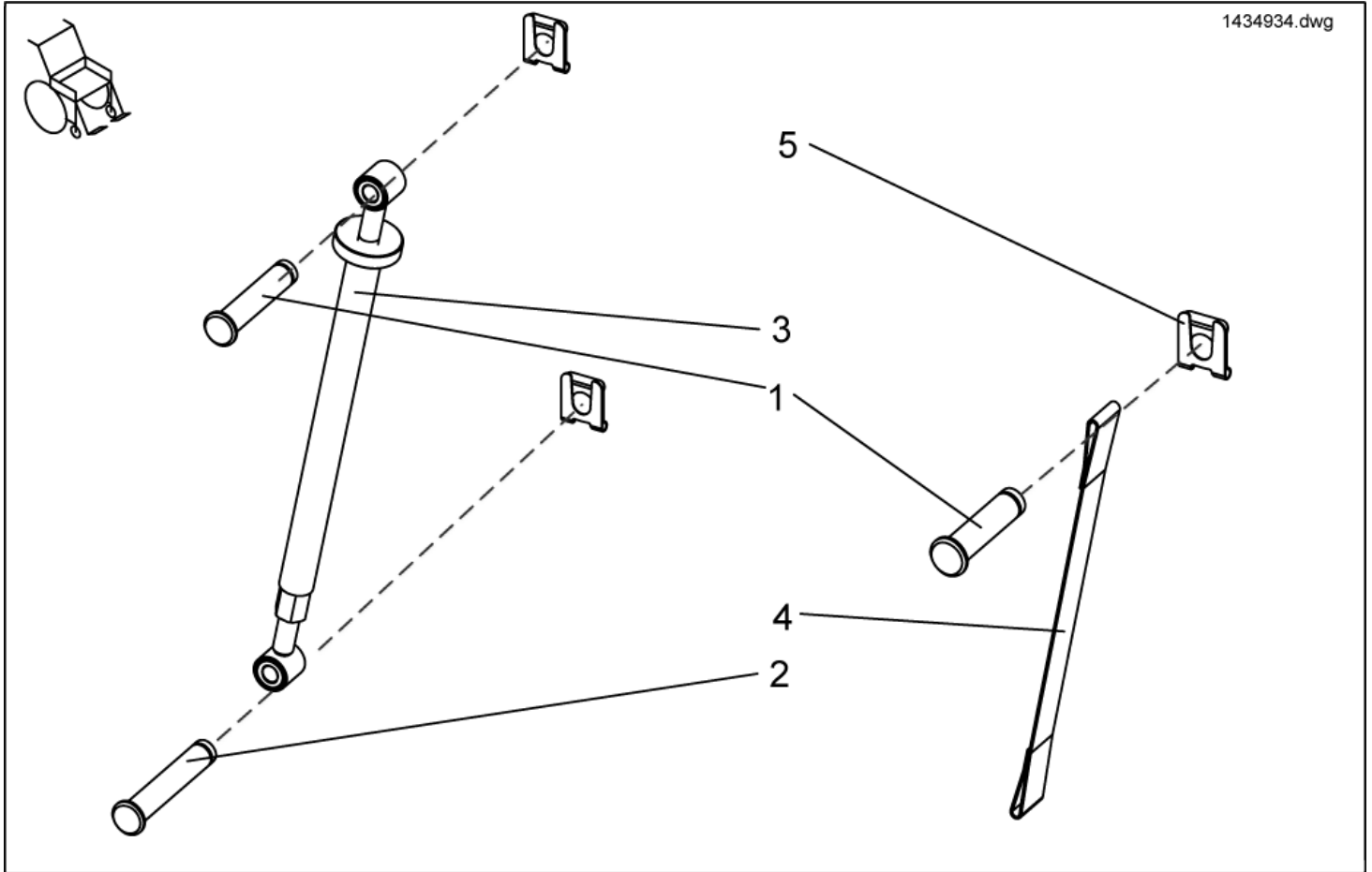
item	ordercode	description	quantity
-	SP1425853	KIT SLIDING ARMRESTS PAIR MANUAL	1
-	SP1425859	KIT SLIDING ARMRESTS PAIR, F. EL. BACKREST ADJUSTMENT	1
1,2,3,4,5	SP5314641	SLIDING ARMREST LH CPL.	1
1,2,3,4,5	SP5311680	SLIDING ARMREST RH CPL.	1
1	5311680	ARMREST UPHOLSTERY 260 MM	1
1	5314641	ARMREST UPHOLSTERY 320 MM	1
2	1421657-0003	RETAINING WASHER BLACK GALVANISED	4
3	L01055	TUBE END PLUG E 15 X 15	1
4	N04109	SWIVEL JOINT AS 13-M8 RH	2
5	N02194	BUSH BB 1209 DU	8
6	SP1436540	CLOTHING PROTECTOR PAIR SLIDING ARMREST SB=39CM	1
6	SP1436539	CLOTHING PROTECTOR PAIR SLIDING ARMREST SB>39CM	1
7	1429564-9005	FITTING ATTACHMENT LH F. SLIDING ARMREST	1
7	1429563-9005	FITTING ATTACHMENT RH F. MANUAL ADJUSTMENT	1
8	1428057	MOTOR CAP FOR ELECTRIC BACKREST	1
9	1420482	REFLECTOR	1

Lifter

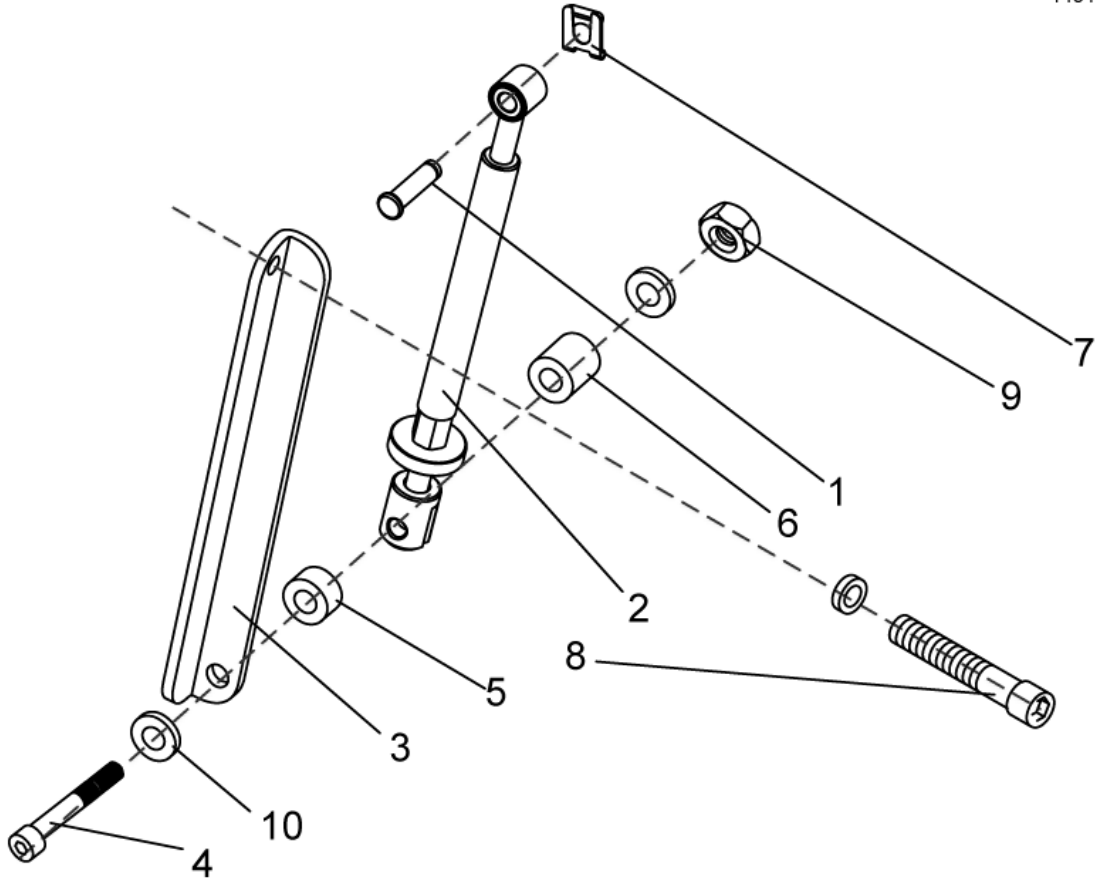
1418527.dwg



item	ordercode	description	quantity
1	1418527	PREASSEMBLED LIFTER UNIT	1
2	1440506	SWIVEL FORK LIFTER WITH BUSHINGS CPL.	1
3	1418547-9005	BEARING PLATE LH	1
4	1418544-9005	BEARING PLATE RH	1
-	1434934	SEAT HEIGHT ADJUSTMENT MANUAL, PREASSEMBLED	1
-	1434935	SEAT ANGLE ADJUSTMENT MANUAL, PREASSEMBLED	1
-	1434931	SEAT HEIGHT ADJUSTMENT ELECTRICAL, PREASSEMBLED	1
-	1434932	SEAT ANGLE ADJUSTMENT ELECTRICAL, PREASSEMBLED	1



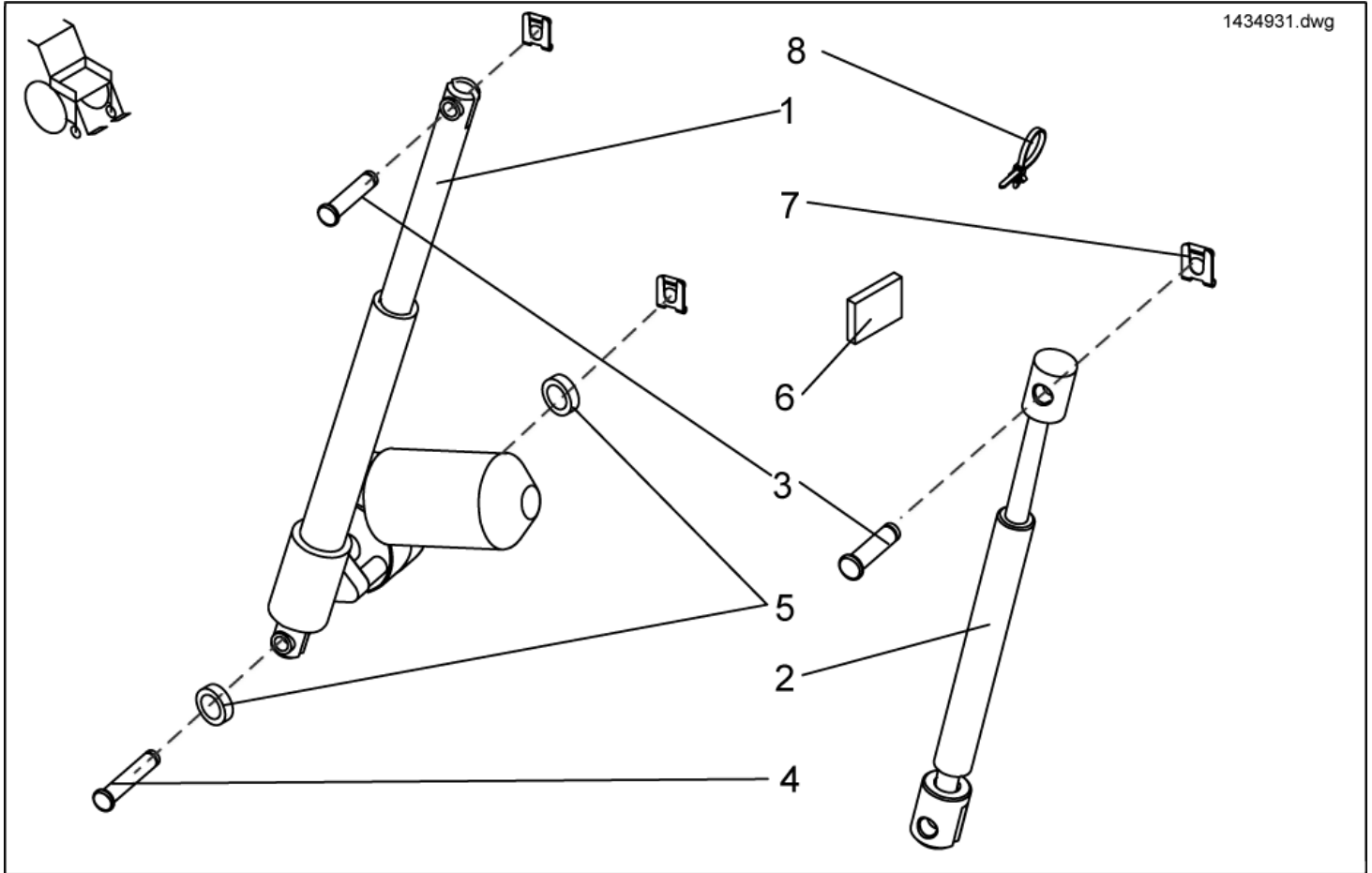
item	ordercode	description	quantity
1-5	1434934	SEAT HEIGHT ADJUSTMENT MANUAL, PREASSEMBLED	1
1	1419941-0003	SECURING BOLT 44.5 MM	2
2	1419943-0003	SECURING BOLT 52.5 MM	1
3	1420003	SPINDLE SEAT HEIGHT ADJUSTMENT MANUAL CPL.	1
4	1430121	RESTRAINT 25 MM	1
5	K32395	SL-LOCKING WASHER 10 MM	3



item	ordercode	description	quantity
1-10	1434935	SEAT ANGLE ADJUSTMENT MANUAL, PREASSEMBLED	1
1	1419941-0003	SECURING BOLT 44.5 MM	1
2	1420004	SPINDLE SEAT ANGLE ADJUSTMENT MANUAL CPL.	1
3	1423440-9005	ANGLE BRACE	1
4	1423490	BOLT M10 X 125 DIN 912	1
5	1426296	SPACER 10,5 X 21 X 12	1
6	1426297	SPACER 10,5 X 21 X 16	1
7	K32395	SL-LOCKING WASHER 10 MM	1
8	5824318	SCREW M8 X 65 DIN 912	1
9	NA	NYLOC NUT M10 DIN 985	1
10	NA	WASHER DIN 125 10,5x2	3

Seat Height Adjustment electrical

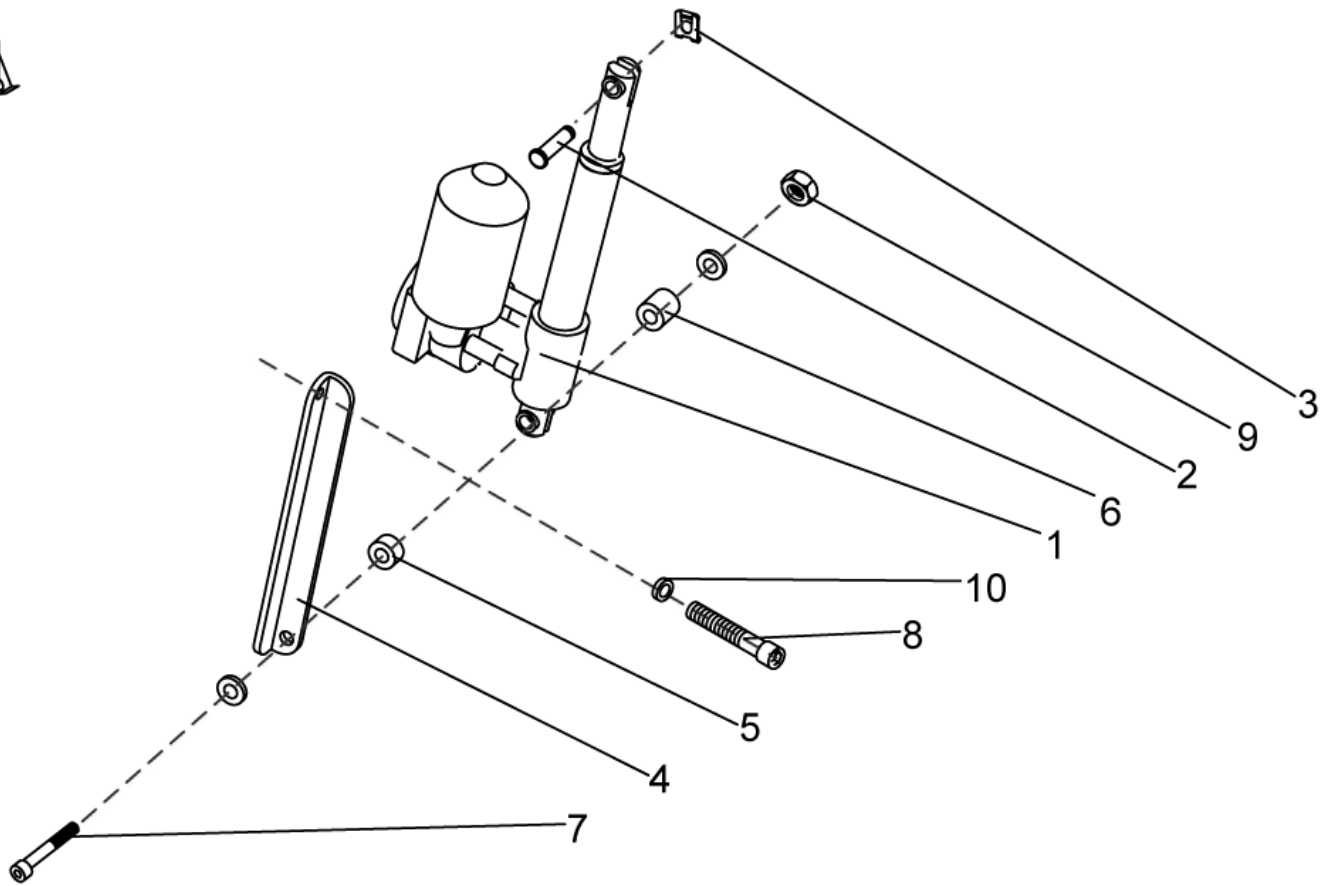
1434931.dwg



item	ordercode	description	quantity
1-8	1434931	SEAT HEIGHT ADJUSTMENT ELECTRICAL, PREASSEMBLED	1
1	1419400	MOTOR LA30.1S-150-24-002	1
2	SP1419237	GAS PRESSURE SPRING CPL.	1
3	1419941-0003	SECURING BOLT 44.5 MM	2
4	1419943-0003	SECURING BOLT 52.5 MM	1
5	1426295	SPACER 10,5x21x4	2
6	1429559	MAGNET	1
7	K32395	SL-LOCKING WASHER 10 MM	3
8	NA	CABLE TIE L=180 MM (LONG); BLACK	2

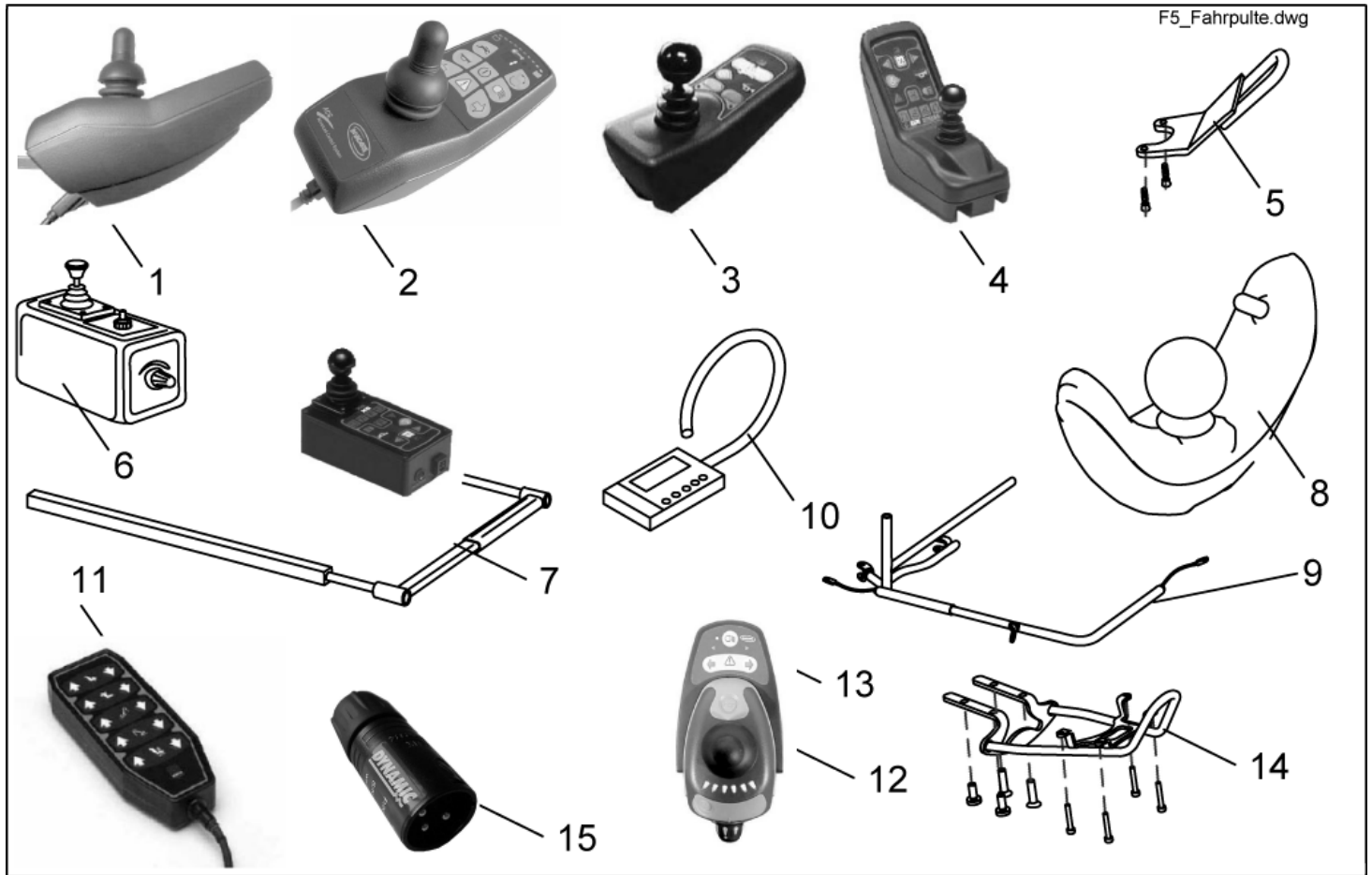
Seat Angle Adjustment electrical

1434932.dwg



item	ordercode	description	quantity
1-10	1434932	SEAT ANGLE ADJUSTMENT ELECTRICAL, PREASSEMBLED	1
1	1434425	MOTOR LA30.1L-50-24-001 w. PULL BRAKE	1
2	1419941-0003	SECURING BOLT 44.5 MM	1
3	K32395	SL-LOCKING WASHER 10 MM	1
4	1423440-9005	ANGLE BRACE	1
5	1426296	SPACER 10,5 X 21 X 12	1
6	1426297	SPACER 10,5 X 21 X 16	1
7	1423490	BOLT M10 X 125 DIN 912	1
8	5824318	SCREW M8 X 65 DIN 912	1
9	NA	NYLOC NUT M10 DIN 985	1
10	NA	WASHER DIN 125 10,5x2	3

Control Unit/ Joystickbox

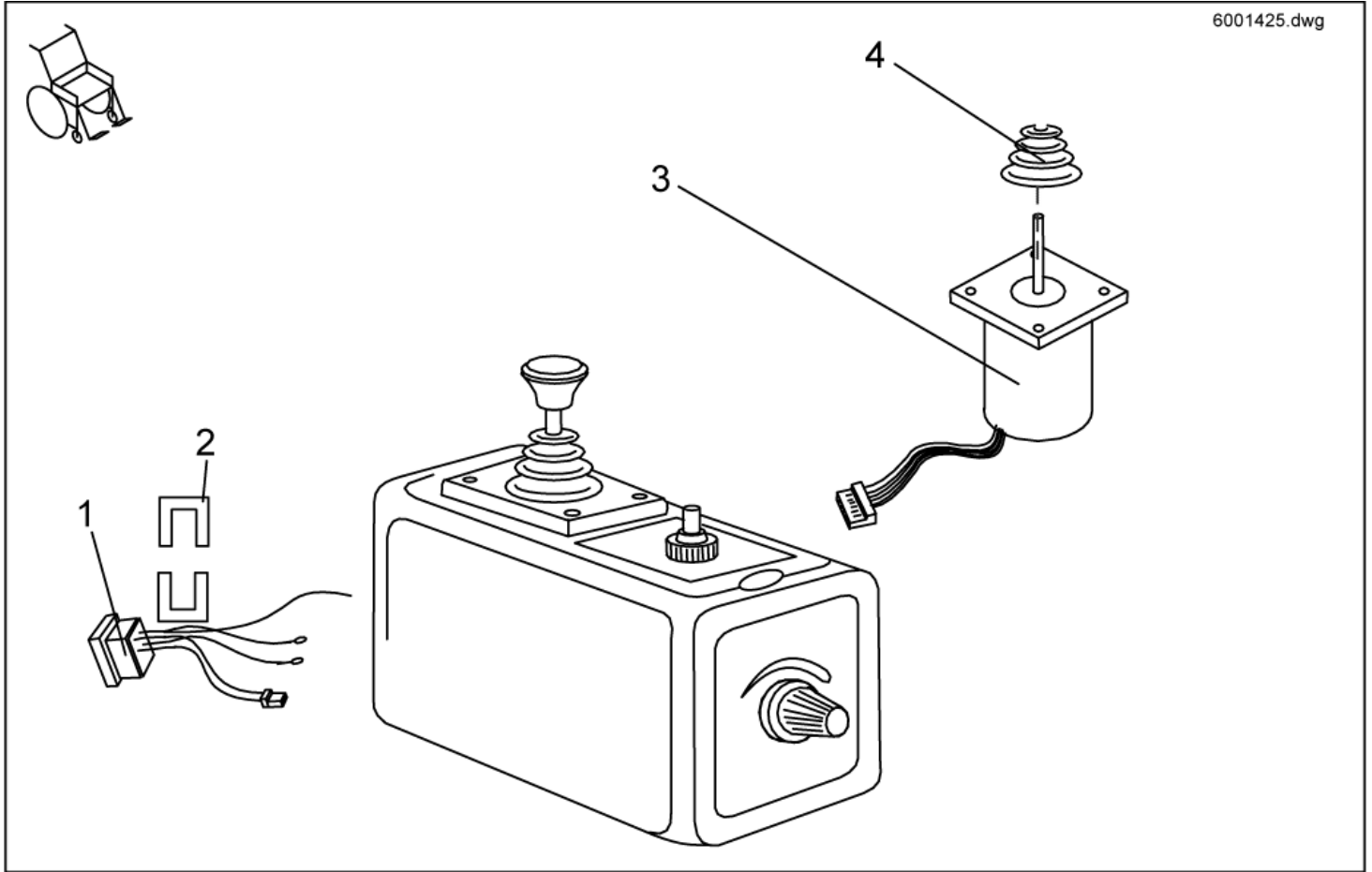


item	ordercode	description	quantity
1	P10150	REMOTE REM 24 SC	1
-	Z183229	JOYSTICK KNOB CPL.	1
-	GSM9917	KEYPAD WITH REM 24SC HOUSING FACEPLATE	1
2	1436541	REMOTE REM 24 SD	1
3	P10156	REMOTE REM G80 I	1
4	1419205	JOYSTICK BOX REM 34 (DOLPHIN)	1
5	SP1422827	GUARD BOW F. G80I REMOTE CPL.	1
5	SP1422828	GUARD BOW F. REM 24 REMOTE CPL.	1
6	6001425	ACS CTRL. FOR ATTENDANT SWITCHABLE	1
6	1449299	SHARK Nachrüstsatz Bedienung Begleitperson, umschaltbar	1
7	SP1422799	SWING-OUT MIDDLE CONTROL LH CPL.	1
7	SP1422800	SWING-OUT MIDDLE CONTROL RH CPL.	1
8	SP1422801	ACS CHIN CONTROL LH CPL.	1
8	SP1422802	ACS CHIN CONTROL RH CPL.	1
-	1422947	ASSEMBLY KIT F. CHIN CONTROL HOLDER CPL.	1
-	SP1422951	ASSEMBLY KIT F. CHIN CONTROL HOLDER RECARO CPL.	1
9	SP1422946	ELECTR. VERTICAL SWING-OUT CHIN CONTROL ASSEMBLY KIT	1
9	SP1422944	ASSEMBLY KIT RH F. EL. HORIZONTAL SWING-OUT CHIN CONTROL	1
9	SP1422945	ASSEMBLY KIT FOR ELECTR. HORIZONTAL SWING-OUT CHIN CONTROL, LH CPL.	1
9	SP1422942	ASSEMBLY KIT RH F. MANUAL HORIZONTAL SWING-OUT CHIN CONTROL	1
9	SP1422943	ASSEMBLY KIT FOR ELECTR. HORIZONTAL SWING-OUT CHIN CONTROL	1
10	6001450	ACS-HAND PROGRAMMER, "F; GER; ESP"	1
11	F382007	ARC5 CONTROL CPL.	1
12	SP1440287	REMOTE SHARK WITH LIGHTENING	1
13	1440541	LIGHTING REMOTE	1
14	1442691	GUARD BOW FOR SHARK WITH LIGHTS REMOTE CPL.	1
15	1441551	PROGRAMMING ADAPTER SHARK (UNCONDITIONALLY NECESSARY TO PROGRAM SHARK)	1

item	ordercode	description	quantity
-	P10062	WIZARD SOFTWARE	1
-	SP1419695	MAGNETIC KEY W. POUCH CPL.	1
-	SP1436544	ATTENDANT JOYSTICK BOX REM 24SD	1

Attendant Control

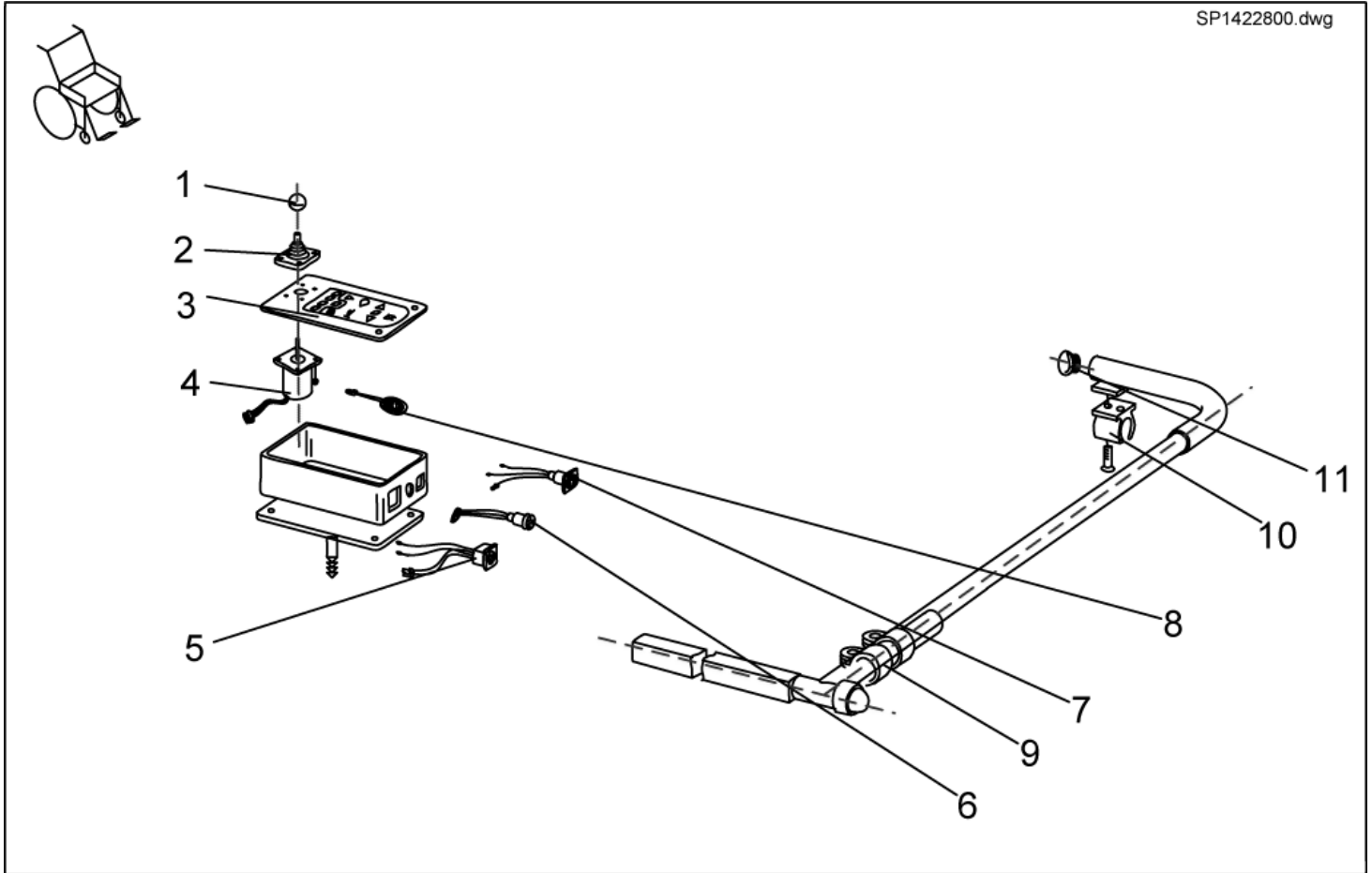
6001425.dwg



item	ordercode	description	quantity
1	P41105	BUS CABLE SOCKET	1
2	GME61927	FIXING CLAMP	1
3	P10304	JOYSTICK	1
4	Z183001A	RUBBER GAITER; BLACK	1

Central Steering

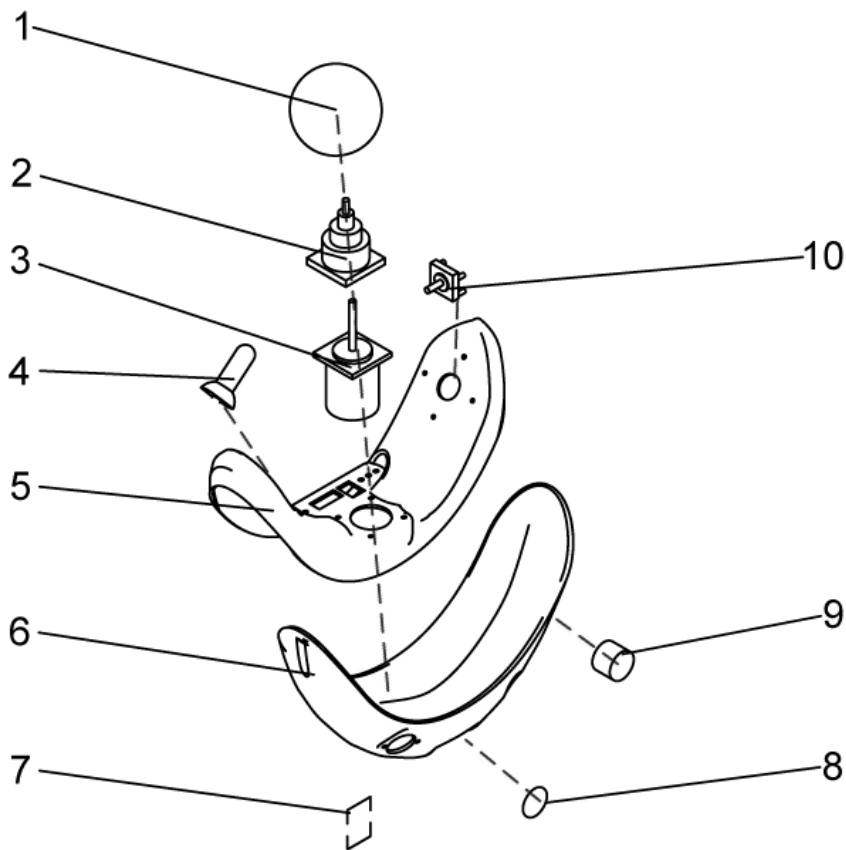
SP1422800.dwg



item	ordercode	description	quantity
-	P10066	ACS-TRAY CONTROL BOX	1
1	L36999	KNOB 32 MM, HOLE 5,8 MM	1
2	Z183001A	RUBBER GAITER; BLACK	1
3	P30907	FOIL KEYPAD	1
4	GSM55120	ACS-JOYSTICK F. TRAYCONTROL	1
5	P41108	ACS-BUS CABLE SOCKET	1
6	P41107	PROGRAMMER SOCKET	1
7	P41106	CHARGER SOCKET	1
8	P30493	HORN	1
9	5006720	CLAMP 22 MM	2
10	Z16001A	CLAMP	1
11	L01008	TUBE END PLUG SL 22	2

Chin Control Dash Board

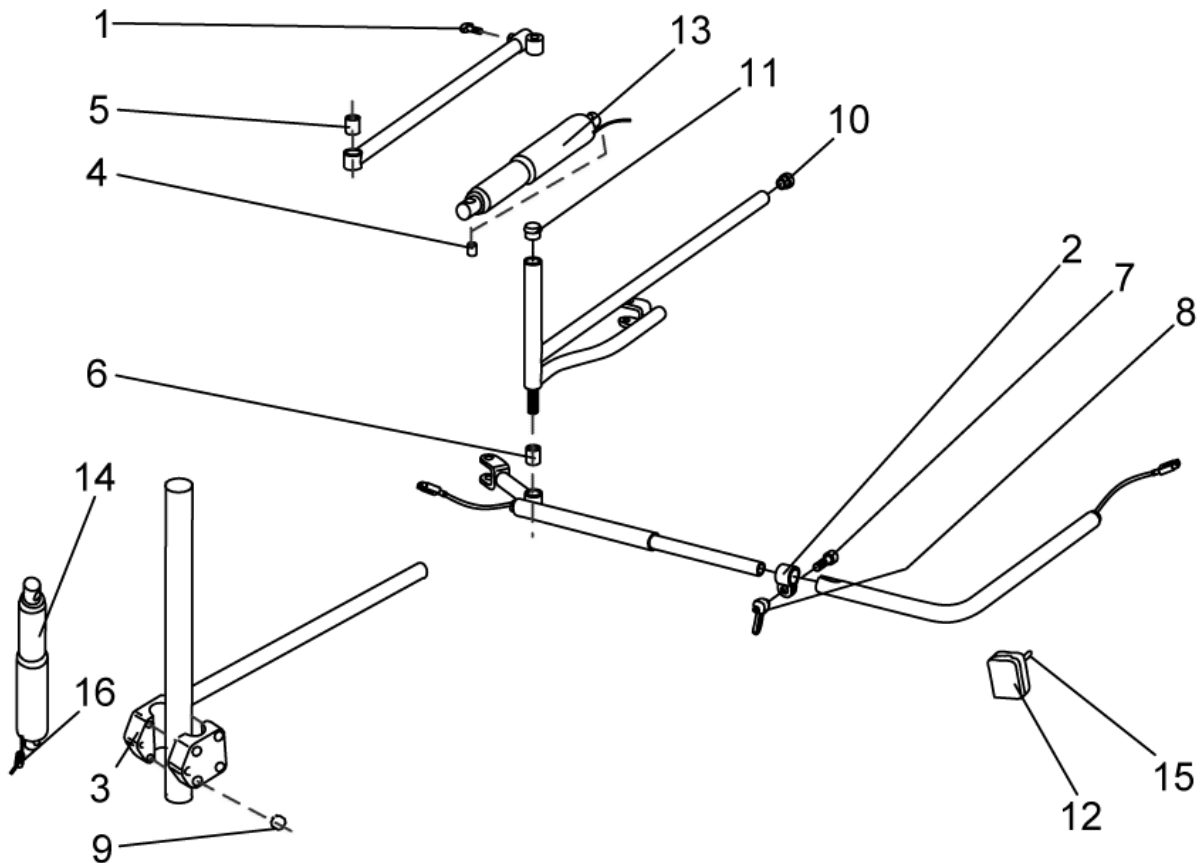
SP1422802.dwg



item	ordercode	description	quantity
1	Z183265	FOAM CONTROL KNOB CPL.	1
2	Z183001A	RUBBER GAITER; BLACK	1
3	P10304	JOYSTICK	1
4	Z183229	JOYSTICK KNOB CPL.	2
5	F383019	UPPER HOUSING; GREY	1
6	Z183242	LOWER HOUSING LH	1
6	Z183241	LOWER HOUSING RH	1
7	P41106	CHARGER SOCKET	1
8	T95099	O-RING 14-3 MM	1
9	P41104	PROGRAMMER SOCKET	1
9	P41108	ACS-BUS CABLE SOCKET	1
9	P41106	CHARGER SOCKET	1
10	Z183243	ACS-CHIN CONTROL JOYSTICK SWITCH LH	1
10	Z183244	ACS-CHIN CONTROL JOYSTICK SWITCH RH	1
-	P10475	STICKERSET (ACS CHIN CONTROL)	1
-	P09594	FERRITE SLEEVE C=6.4,D=2 TDK ZCAT 1325-0530A	1
-	P30499	HORN (DIGISOUND)	1
-	Z183048	HORN CLAMP	1
-	GME61927	FIXING CLAMP	2

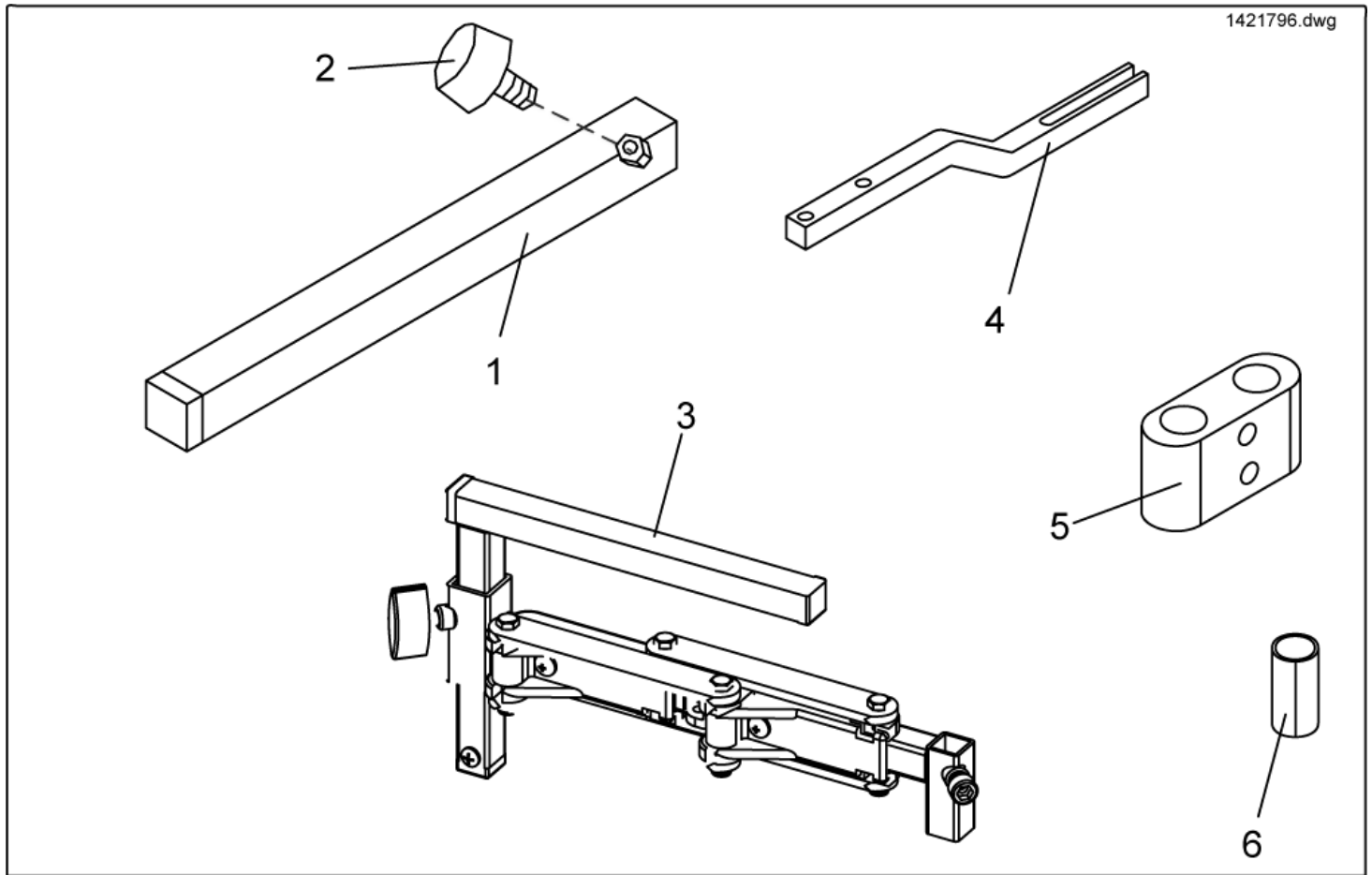
Chin Control Assembly Kit

F3_Kinn_Abschwenk.dwg



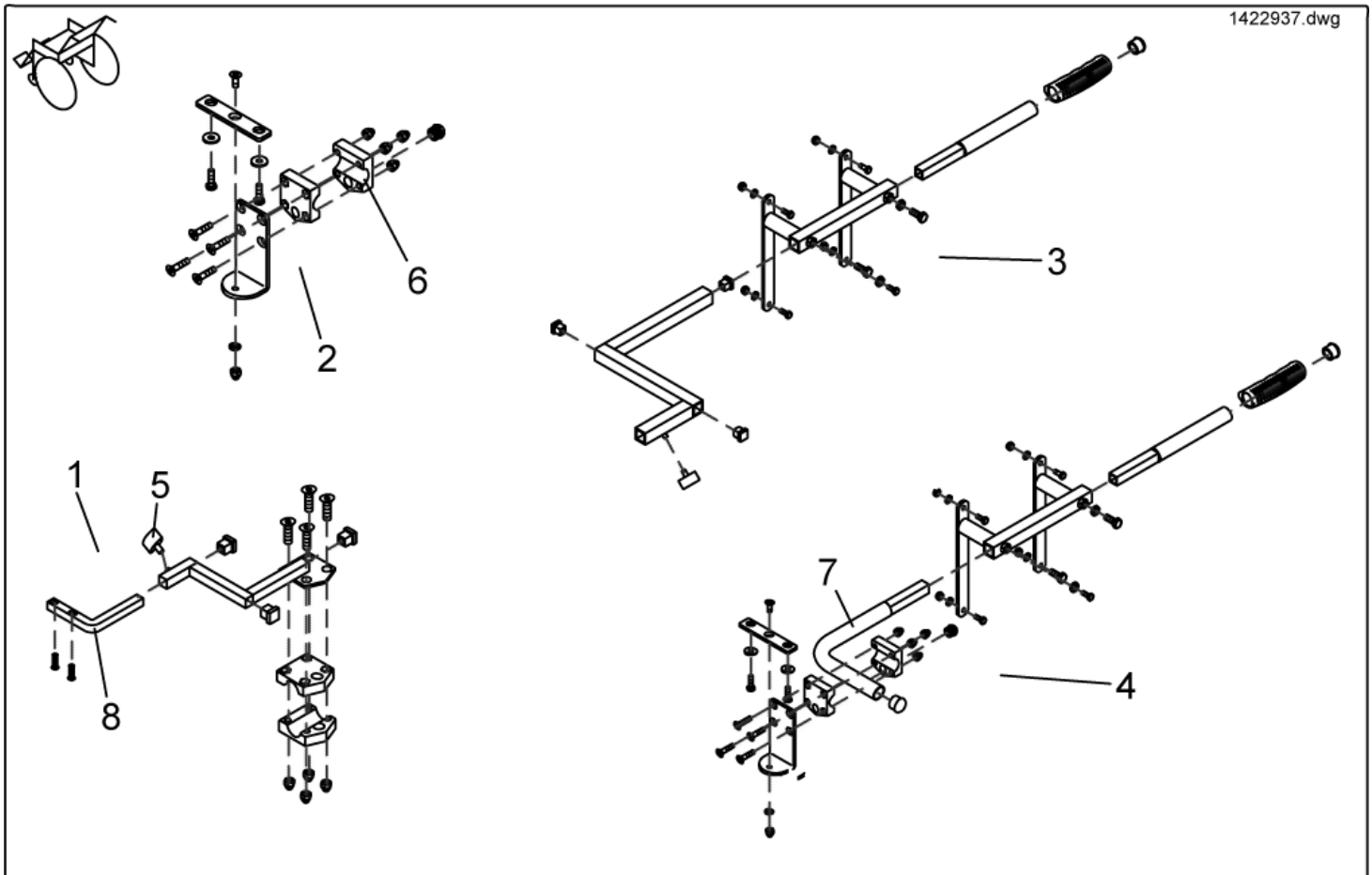
item	ordercode	description	quantity
1	L31001	HAND KNOB M6 X 10	1
2	5006720	CLAMP 22 MM	1
3	Z12009A	CLAMP	2
4	4000665-0002	SPACER BUSH 10X1X22,5	2
5	A17012A	BUSH RD. 18 X 22	1
6	Z131009A	BUSH RD. 18 X 3 X 22	1
7	E30101	CUP HEAD NIBBED BOLT M8 X 25	1
-	L01041	NUT CAP M8	2
-	L01037	NUT CAP M12	2
8	L32901	LEVER M8; BLACK	1
9	K22103	CAP A10	1
10	L01049	TUBE END PLUG SL 18	2
11	L01008	TUBE END PLUG SL 22	4
12	L90994	MULTIBOX SMALL	1
13	P00082	ACTUATOR LA 22.5E-75-24 INCL CABLE AND SWITCH	1
14	P00081	ACTUATOR LA 22.5E-100-24 WITH STOP-SWI	1
-	P12194	POLYSWITCH FUSE RXE 135	1
15	P30109	TOGGLE SWITCH SINGLE POLE	1
15	Z183011A	TOGGLE SWITCH EXTENSION; GREY	1
16	P09596	FERRITE SLEEVE C=8 D=1	1

Control Unit support - Standard/ swing away



item	ordercode	description	quantity
1	SPS183040	REMOTE HOLDER STANDARD	1
2	L31001	HAND KNOB M6 X 10	1
3	SP1421796	SWING-OUT ACS REMOTE HOLDER LH	1
3	SP1421795	SWING-OUT ACS REMOTE HOLDER RH	1
4	SP1440493	JOYSTICK BOX SUPPORT SWING-OUT REM 24SD AJ, WITH SCREWS	1
5	1440631	TUBE CLAMP DIA 22 MM; BLACK	1
6	Z183264.99	BUSH RD. 22 X 1,5 X 40	4
-		MORE CONTROLL UNIT SUPPORTS »»» SEE "CONTROL UNIT SUPPORT TABULAR"	1

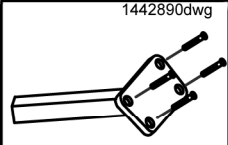
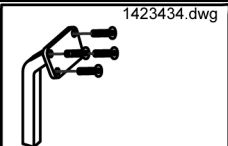
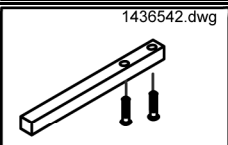
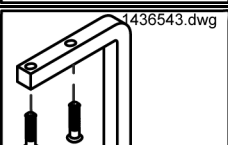
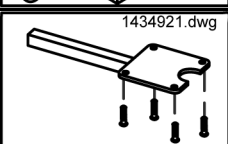
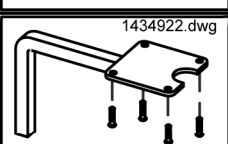
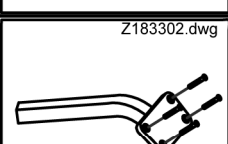
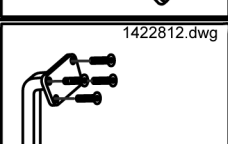
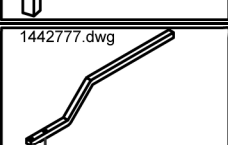
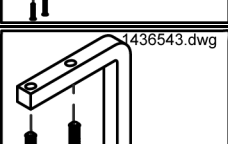
Control Unit support - For Attendant Conroll



item	ordercode	description	quantity
1	SP1422937	ASSEMBLY KIT F. STD. CARER SEAT CONTROL LH .	1
1	SP1422936	ASSEMBLY KIT RH F. STD. CARER SEAT CONTROL	1
2	SP1422818	ASSEMBLY KIT F. SWITCHABLE CARER CONTROL CPL.	1
3	SP1422814	ASSEMBLY KIT F. SWITCHABLE CARER CONTROL CPL., RECARO LH	1
3	SP1422813	ASSEMBLY KIT F. SWITCHABLE CARER CONTROL CPL., RECARO RH	1
4	SP1422819	ASSEMBLY KIT F. SWITCHABLE CARER RECARO CONTROL	1
5	L31001	HAND KNOB M6 X 10	1
6	Z12008A.P40	GRIPPING CLIP W. HEXAGON HOLE	2
7	F383065-9005	HOLDER FOR CARER RECARO CONTROL; RAL 9005, DEEP BLACK	1
8	SP1440289	ATTENDANT JOYSTICK BOX SUPPORT REM 24SD WITH SCREWS, LEFT	1
8	SP1440288	ATTENDANT JOYSTICK BOX SUPPORT REM 24SD WITH SCREWS, RIGHT	1
-		MORE CONTROLL UNIT SUPPORTS »»» SEE "CONTROL UNIT SUPPORT TABULAR"	1

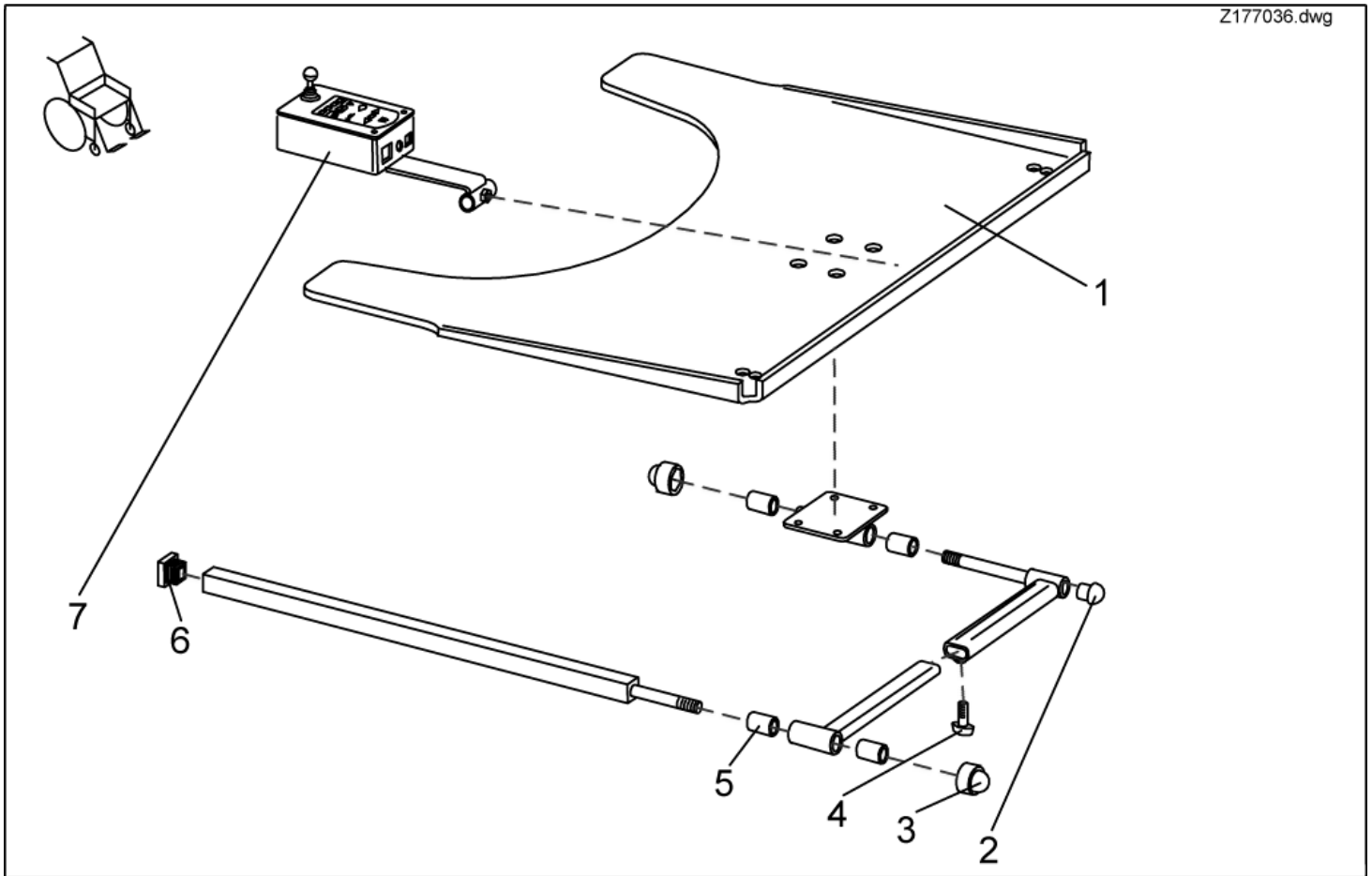
Control Unit support - Control Unit support tabular

- ✓ **Information:** REM 24SD AND REM 24SC REMOTE HOLDERS ARE NOT IDENTICAL. IF NOT AVAILABLE PLEASE ALSO ORDER NEW REMOTE HOLDER.

Picture	joystick box	Standard	swing out	ordercode	valid MM/YYYY
	REM 24 SC	X		1442890	->02/2004
	REM 24 SC		X	SP1423434	->02/2004
	REM 24 SD	X		SP1436542	03/2004->
	REM 24 SD		X	SP1436543	03/2004->
	REM 34	X		SP1434921	
	REM 34		X	SP1434922	
	G80i	X		SPZ183302	
	G80i		X	SP1422812	
	Shark	X		1442777	01/2005->
	Shark		X	SP1436543	01/2005->

Desk/ Tray control

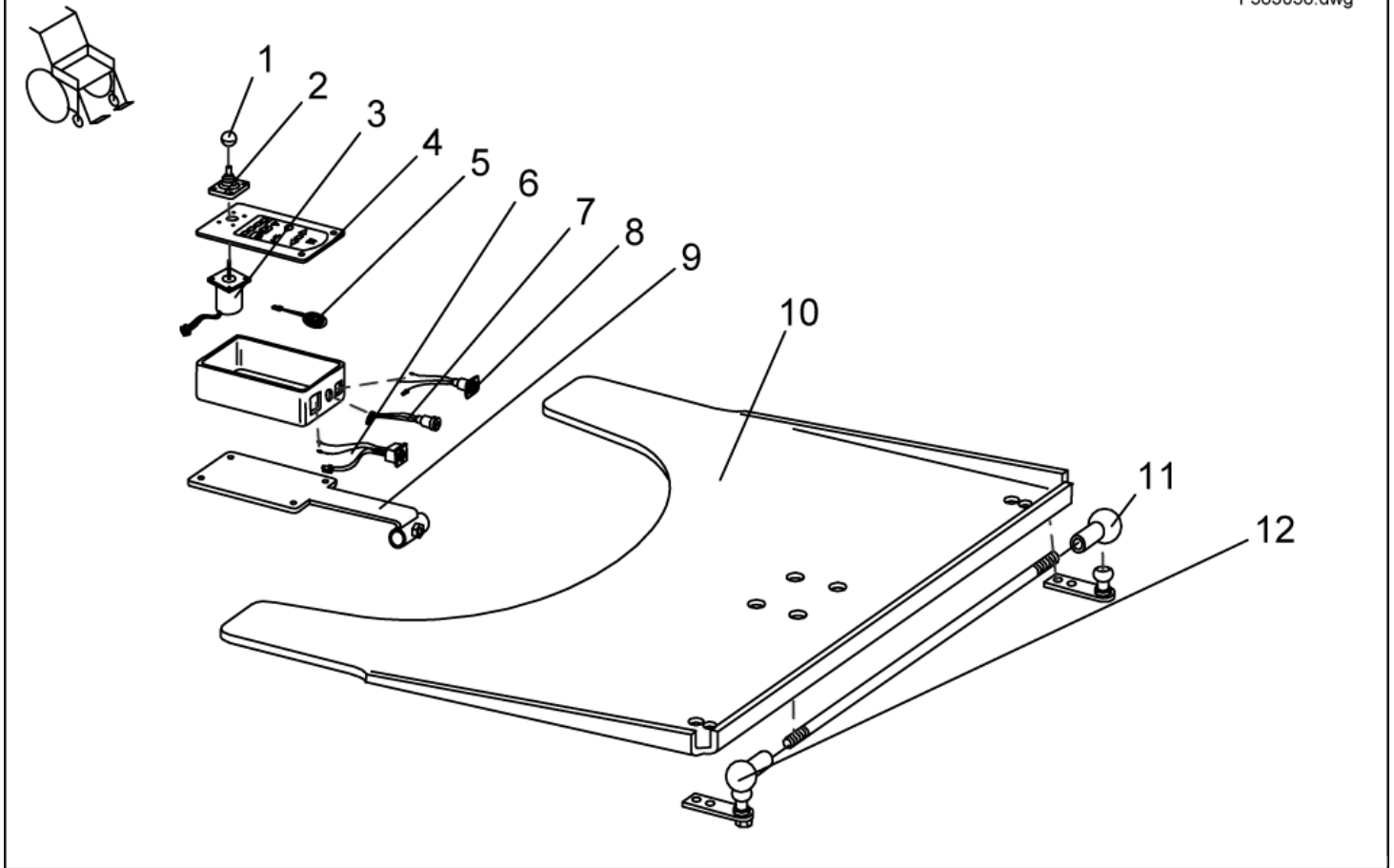
Z177036.dwg



item	ordercode	description	quantity
1,2,3,4,5,6	SP1422952	SWING-OUT TRAY F. CONTROL LH CPL.	1
1,2,3,4,5,6	SP1422953	SWING-OUT TRAY F. CONTROL RH CPL.	1
2,3,4,5,6	SPZ177011	TRAY SUPPORT FIXING KIT CPL.	1
1	Z177017	TRAY-LH CONTROL; TRANSPARENT	1
1	Z177016	TRAY-RH CONTROL; TRANSPARENT	1
2	L01008	TUBE END PLUG SL 22	1
3	L01037	NUT CAP M12	2
4	L31001	HAND KNOB M6 X 10	1
5	Z17032A	BUSH RD. 19 X 3.5 X 25	4
6	L01055	TUBE END PLUG E 15 X 15	2
7	SP1422798	TRAY CONTROL CPL.	1

Tray Control

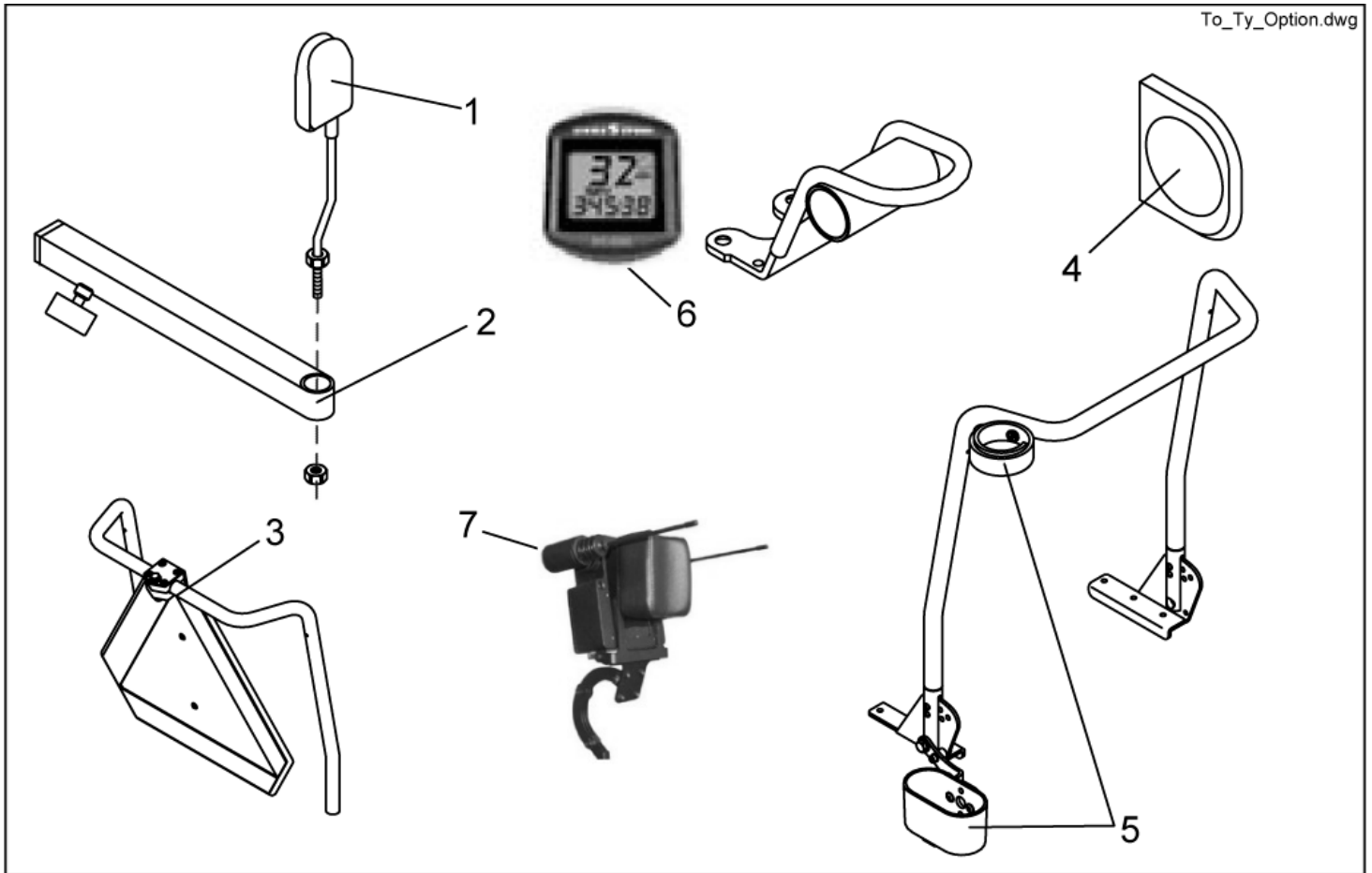
F383038.dwg



item	ordercode	description	quantity
-	P10066	ACS-TRAY CONTROL BOX	1
1	L36999	KNOB 32 MM, HOLE 5,8 MM	1
2	Z183001A	RUBBER GAITER; BLACK	1
3	GSM55120	ACS-JOYSTICK F. TRAYCONTROL	1
4	P30907	FOIL KEYPAD	1
5	P30493	HORN	1
6	P41108	ACS-BUS CABLE SOCKET	1
7	P41107	PROGRAMMER SOCKET	1
8	P41106	CHARGER SOCKET	1
9	L60999	FOOT M4 X 13	2
10	Z17024A	TRAY 660 X 540 X 8; TRANSPARENT	1
11	N04109	SWIVEL JOINT AS 13-M8 RH	2
12	SP4100136	SUPPORT ROD ; CPL..	1

Options

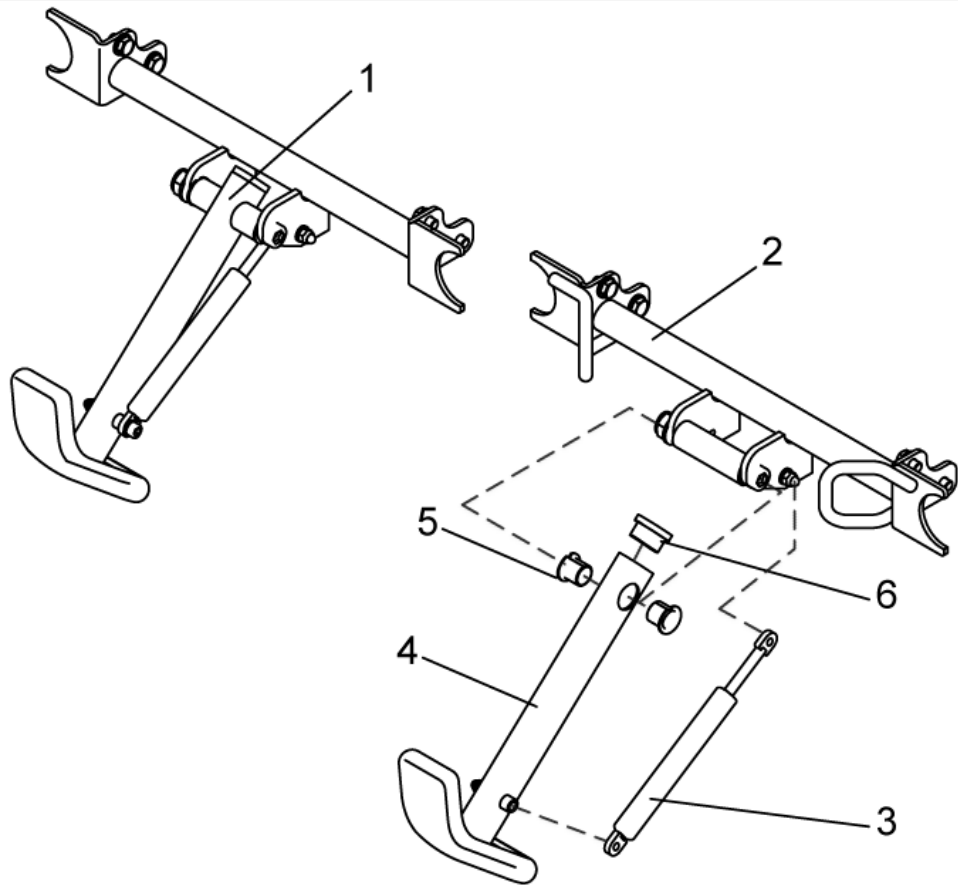
To_Ty_Option.dwg



item	ordercode	description	quantity
-	1442684	touch-up paint RAL 9005 black	1
-	Z12008A.P40	GRIPPING CLIP W. HEXAGON HOLE	2
-	Z183255-9005	ACS-SPEEDOMETER BRACKET REM 24; RAL 9005	1
-	Z183296-9005	ACS SPEEDOMETER HOLDER G 80I; RAL 7021BLACK-GREY	1
-	Z183259	ACS-SPEEDOMETER CABLE	1
-	1421733	ACS-REED-SENSOR CABLE	1
-	P22317	CABLE SOCKET 6 X 10 X 13; BLACK	1
-	P30497	MAGNET, ROUND 6 X 25	1
-	SP1422868	ON-BOARD TOOLS C/W BAG, REPLACEMENT SET	1
-	Q99991	PUMP WITH INSERT HOSE	1
1	SP1422955	REAR MIRROR	1
2	SP1423435	REAR MIRROR SUPPORT RAIL CPL.	1
1,2	SP1422881	REAR MIRROR completely with support	1
3	SP1430410	REAR MARKING SIGN ECE-R 69 CPL.	1
-	1430834	REAR MARKING SIGN ECE-R 69	1
4	1422545	TRUNK SUPPORT FLEX; BLUE	2
4	1440284	TRUNK SUPPORT, BLACK	2
4	5253067-TR04	TRUNK SUPPORT; VINYL GREY	2
-	5253170	FIXING PIECE	2
5	SP1422844	CANE HOLDER STD. CPL.	1
5	SP1422949	CANE HOLDER CONTOUR / FLEX SEAT CPL.	1
5	SP1423159	CANE HOLDER RECARO CPL.	1
6	SP1421843	SIGMA SPORT BC 600 SPEEDOMETER; CPL. (REM 24)	1
6	SP1422841	SIGMA SPORT BC 600 SPEEDOMETER; CPL. (G 80I)	1
7	1442679	Kopfsteuerung ACS	1

Kerb Climber

1418452.dwg



item	ordercode	description	quantity
-	SP1434453	CURBCLIMBER WITH FRONT FIXATION CPL.	1
1	SP1418452	KERB CLIMBER CPL.	1
2	1434454-9005	KERBSTONE RAISER RECEPTACLE WITH FIXING BRACKETS	1
3	N10499	GAS STRUT	1
4	1433733	KERB CLIMBER WITH SHOE	1
5	N02201	BUSH BB 1517 DU	2
6	L01039	TUBE END PLUG F 38 X 20	1

Documentation - User Manuals Storm³

- You will find documentation for downloading on our Internet pages.

deutsch

english

français

netherlands

español

portugues

suomi

svenska

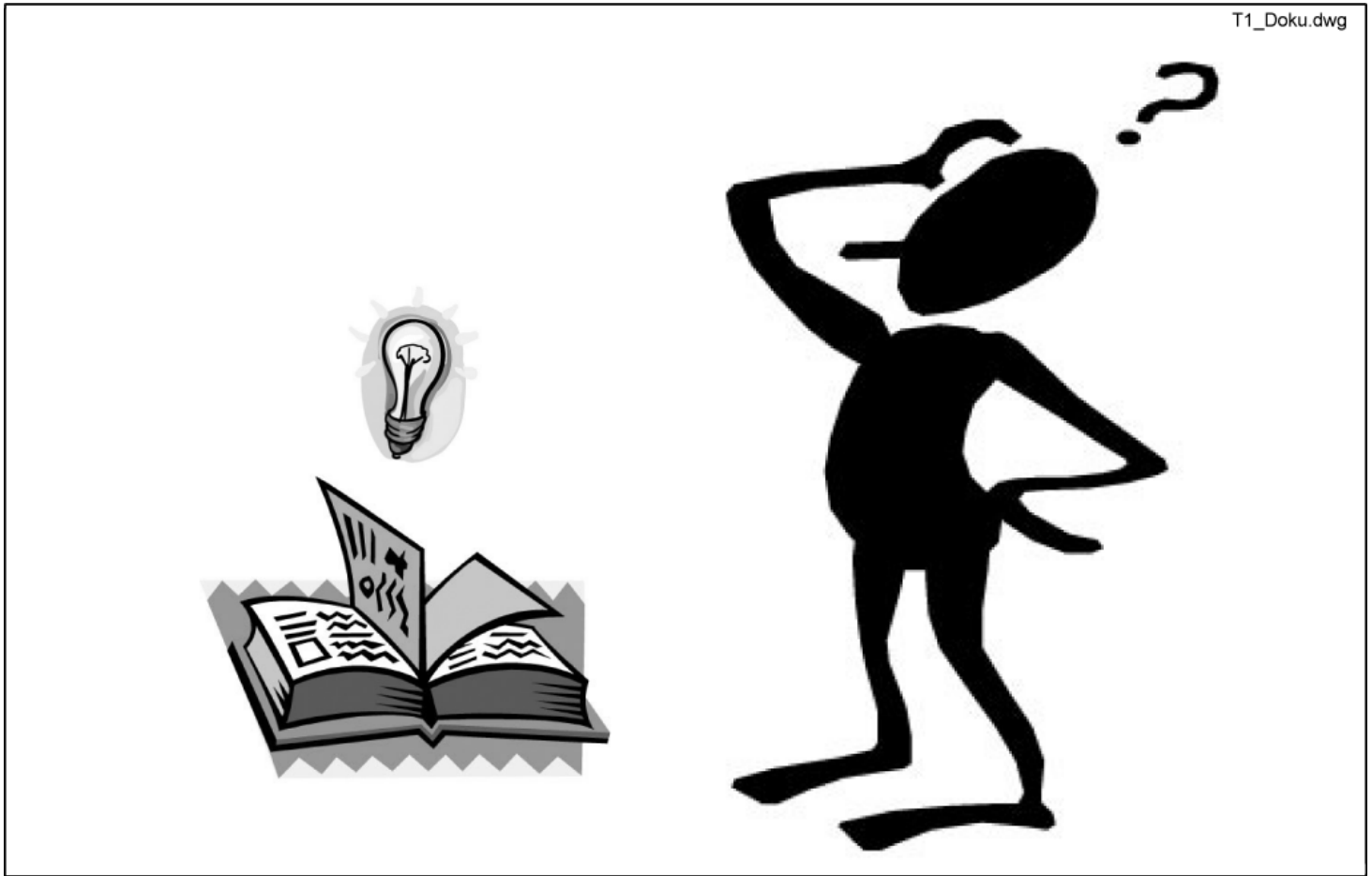
norsk

dansk

italiano

item	ordercode	description	quantity
1	1418467	USER MANUAL STORM ³ "GERMAN"	1
1	1430130	USER MANUAL Storm ³ Euro "German"	1
2	1421740	USER MANUAL STORM ³ "ENGLISH"	1
2	1433050	USER MANUAL Storm ³ Euro "English"	1
3	1421742	USER MANUAL STORM ³ "FRENCH"	1
4	1421745	USER MANUAL STORM ³ "DUTCH"	1
5	1421750	USER MANUAL STORM ³ "SPANISH"	1
6	1421749	USER MANUAL STORM ³ "PORTUGUESE"	1
7	1434449	USER MANUAL Storm ³ Euro "Italian"	1
7	1421747	USER MANUAL STORM ³ "ITALIAN"	1
8	1421746	USER MANUAL STORM ³ "FINNISH"	1
9	1421751	USER MANUAL STORM ³ "SWEDISH"	1
10	1421748	USER MANUAL STORM ³ "NORWEGIAN"	1
11	1421743	USER MANUAL STORM ³ "DANISH"	1

- You will find documentation for downloading on our Internet pages.



item	ordercode	description	quantity
1	Z192022	Bedienungsanleitung REM 24 SC deutsch	1
1	1419309	PROGRAMMER INSTRUCTIONS REM 24 SC "GERMANY"	1
2	Z192023	Bedienungsanleitung REM 24 SC englisch	1
2	1419310	PROGRAMMER INSTRUCTIONS REM 24 SC "ENGLISH"	1
3	Z192024	Bedienungsanleitung REM 24 SC französisch	1
3	1419311	PROGRAMMER INSTRUCTIONS REM 24 SC "FRENCH"	1
4	Z192025	Bedienungsanleitung REM 24 SC niederländisch	1
4	1419312	PROGRAMMER INSTRUCTIONS REM 24 SC "DUTCH"	1
5	Z192026	USER MANUAL REM 24 SC "SPANISH"	1
6	Z192031	USER MANUAL REM 24 SC "PORTUGUESE"	1
7	Z192032	USER MANUAL REM 24 SC "ITALIAN"	1
8	1418457	USER MANUAL REM 24 SC "FINNISH"	1
9	Z192030	USER MANUAL REM 24 SC "SWEDISH"	1
10	Z192034	USER MANUAL REM 24 SC "NORWEGIAN"	1
11	NA	USER MANUAL REM 24 SC "DANISH"	1

deutsch

english

français

netherlands

español

portugues

suomi

svenska

norsk

dansk

italiano

item	ordercode	description	quantity
1	1436142	USER MANUAL REM 24 SD "GERMAN"	1
2	1436144	USER MANUAL REM 24 SD "ENGLISH"	1
3	1436143	USER MANUAL REM 24 SD "FRENCH"	1
4	1436148	USER MANUAL REM 24 SD "DUTCH"	1
5	1436149	USER MANUAL REM 24 SD "SPANISH"	1
6	1436150	USER MANUAL REM 24 SD "PORTUGUESE"	1
7	1436385	USER MANUAL REM 24 SD "ITALIAN"	1
8	1436386	USER MANUAL REM 24 SD "FINNISH"	1
9	1436145	USER MANUAL REM 24 SD "SWEDISH"	1
10	1436147	USER MANUAL REM 24 SD "NORWEGIAN"	1
11	1436146	USER MANUAL REM 24 SD "DANISH"	1

deutsch

english

français

netherlands

español

portugues

suomi

svenska

norsk

dansk

italiano

item	ordercode	description	quantity
1	1436151	USER MANUAL SHARK "GERMAN"	1
2	1436153	USER MANUAL SHARK "ENGLISH"	1
3	1436152	USER MANUAL SHARK "FRENCH"	1
4	1436157	USER MANUAL SHARK "DUTCH"	1
5	1436158	USER MANUAL SHARK "SPANISH"	1
6	1436159	USER MANUAL SHARK "PORTUGUESE"	1
7	1436383	USER MANUAL SHARK "ITALIAN"	1
8	1436384	USER MANUAL SHARK "FINNISH"	1
9	1436154	USER MANUAL SHARK "SWEDISH"	1
10	1436156	USER MANUAL SHARK "NORWEGIAN"	1
11	1436155	USER MANUAL SHARK "DANISH"	1

Documentation - User Manuals miscellaneous

- You will find documentation for downloading on our Internet pages.

deutsch

english

français

netherlands

español

portugues

suomi

svenska

norsk

dansk

italiano

item	ordercode	description	quantity
1	Q99083	USER MANUAL ACS-CHINCONTROL "GERMAN"	1
1	1419316	USER MANUAL HANDHELDPROGRAMMER "GERMAN"	1
1	1419317	USER MANUAL HANDHELDPROGRAMMER "ENGLISH"	1
1	Q99081	OPERATION INSTRUCTION, TRAY-/CENTRAL STEERING	1
2	Q99086	USER MANUAL ACS-CHINCONTROL "ENGLISH"	1
3	Q99082	USER MANUAL ACS-CHINCONTROL "FRENCH"	1