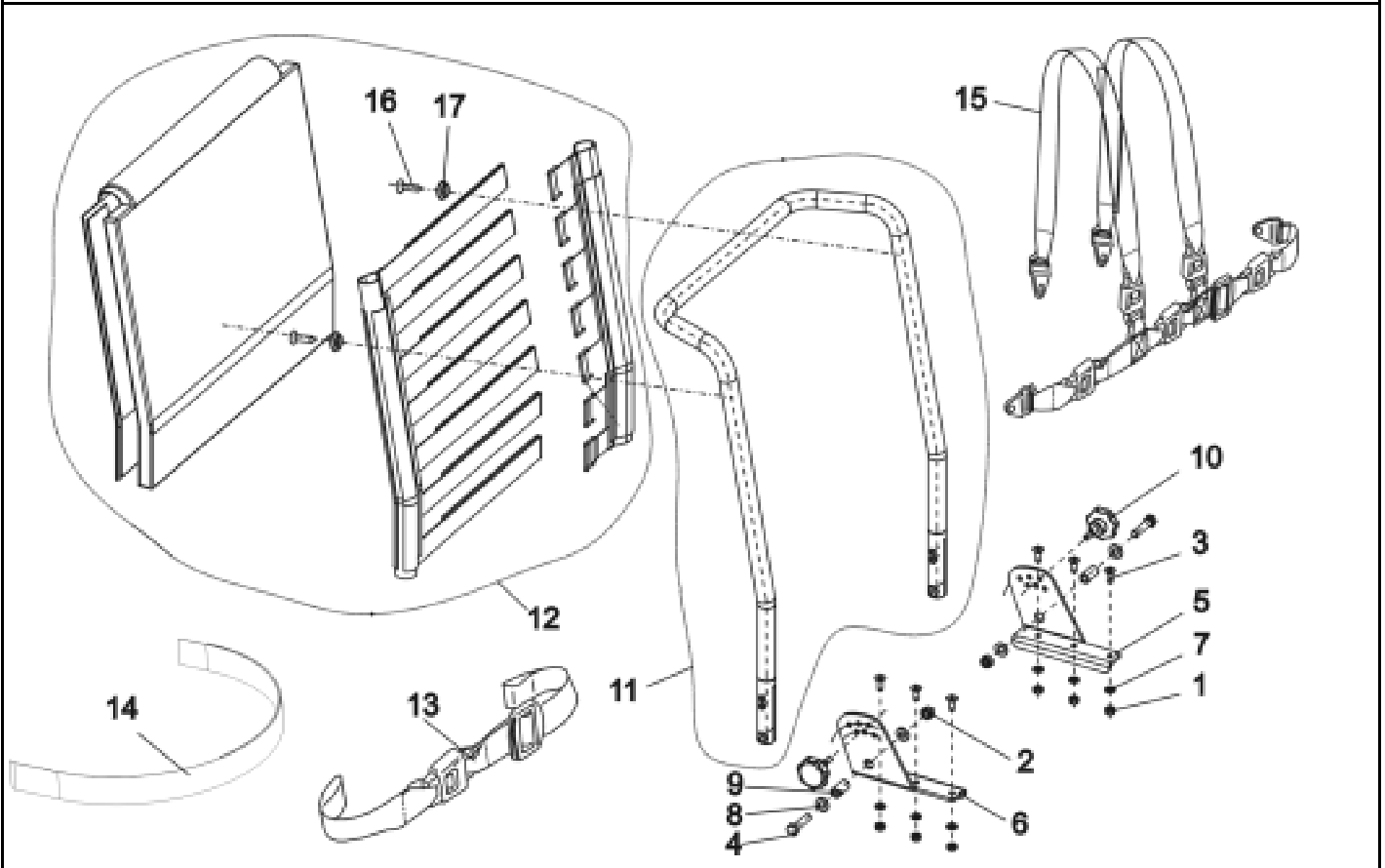


Customer :  
 Customer No. :  
 Phone :

Contact :  
 Commission :  
 Serial No. :



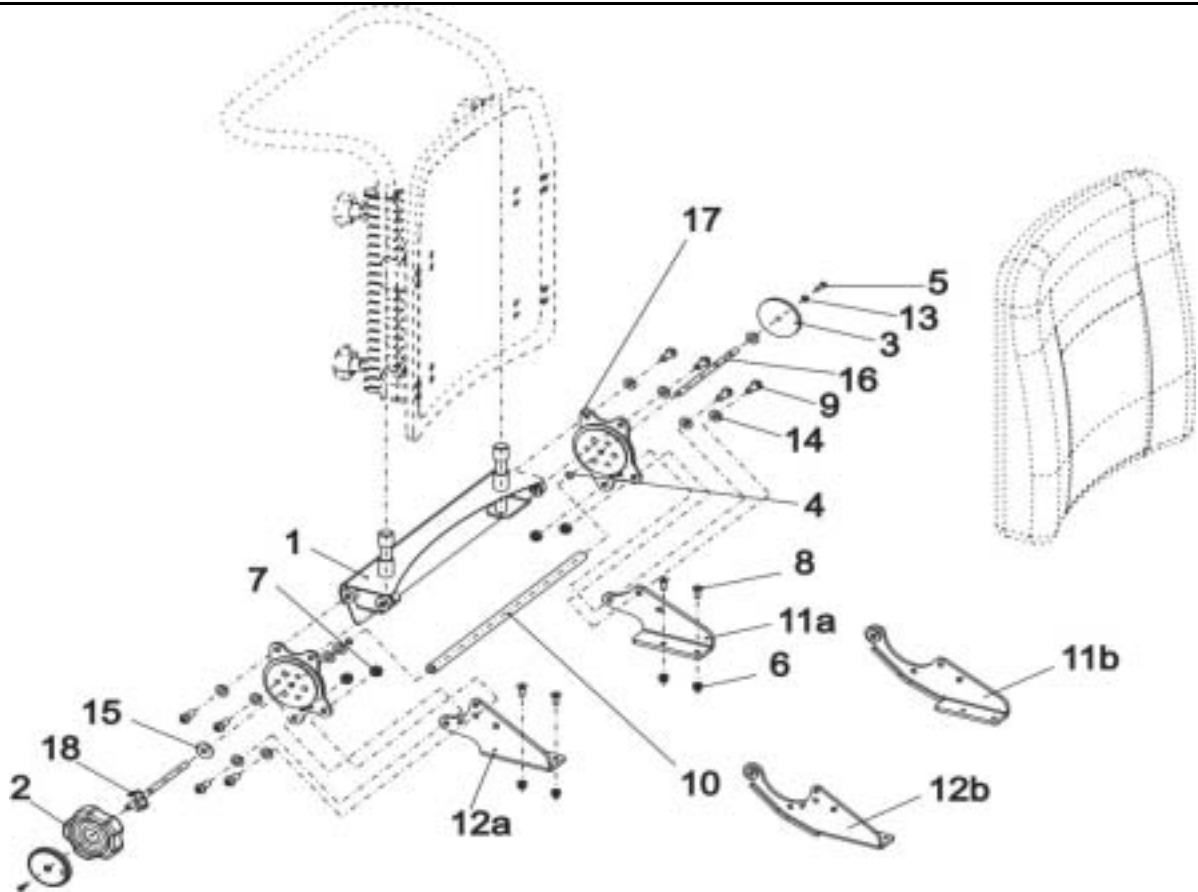
Item	Qty	Part-No.	Part-Designation
-	1		<b>BACKREST STD. / EURO</b>
-	1	<b>SP1423208</b>	<b>STD. BACKREST ASSEMBLY KIT CPL.</b>
1	6		NYLOC NUT M6
2	2		NYLOC NUT M8
3	6		COUNTERSUNK SOCKET HEAD SCREW M6 X 16
4	2		HEX HEAD SCREW M8 X 35
5	1		BACKREST ADJUSTMENT LH
6	1		BACKREST ADJUSTMENT RH
7	6		WASHER 6,4 X 12,5 X 1,6
8	4		WASHER 8,4 X 17 X 1,6
9	2		BUSH RD. 12 X 1.8 X 23
10	2	<b>SP1420444</b>	<b>STAR GRIP M8 CPL.</b>
11	1	1419996-9005	BACK TUBE 480 MM
11	1	1420465-9005	BACK TUBE 540 MM
12	1	1422062	BACK STRAP 480 MM
12	1	1422063	BACK STRAP 540 MM
13	1	1422845	POSITIONING STRAP W. SNAP CPL. FOR STANDARD-SEAT
14	1	1422869	POSITIONING STRAP W. VELCRO CPL. FOR STANDARD-SEAT
15	1	1422848	H-STRAP STD./CONTOUR
16	2		COUNTERSUNK SELF-TAPPING CROSS HEAD SCREW 4,8 X 22
17	2		PLASTIC UPHOLSTERY WASHER

**Storm 3**



Customer :  
 Customer No. :  
 Phone :

Contact :  
 Commission :  
 Serial No. :



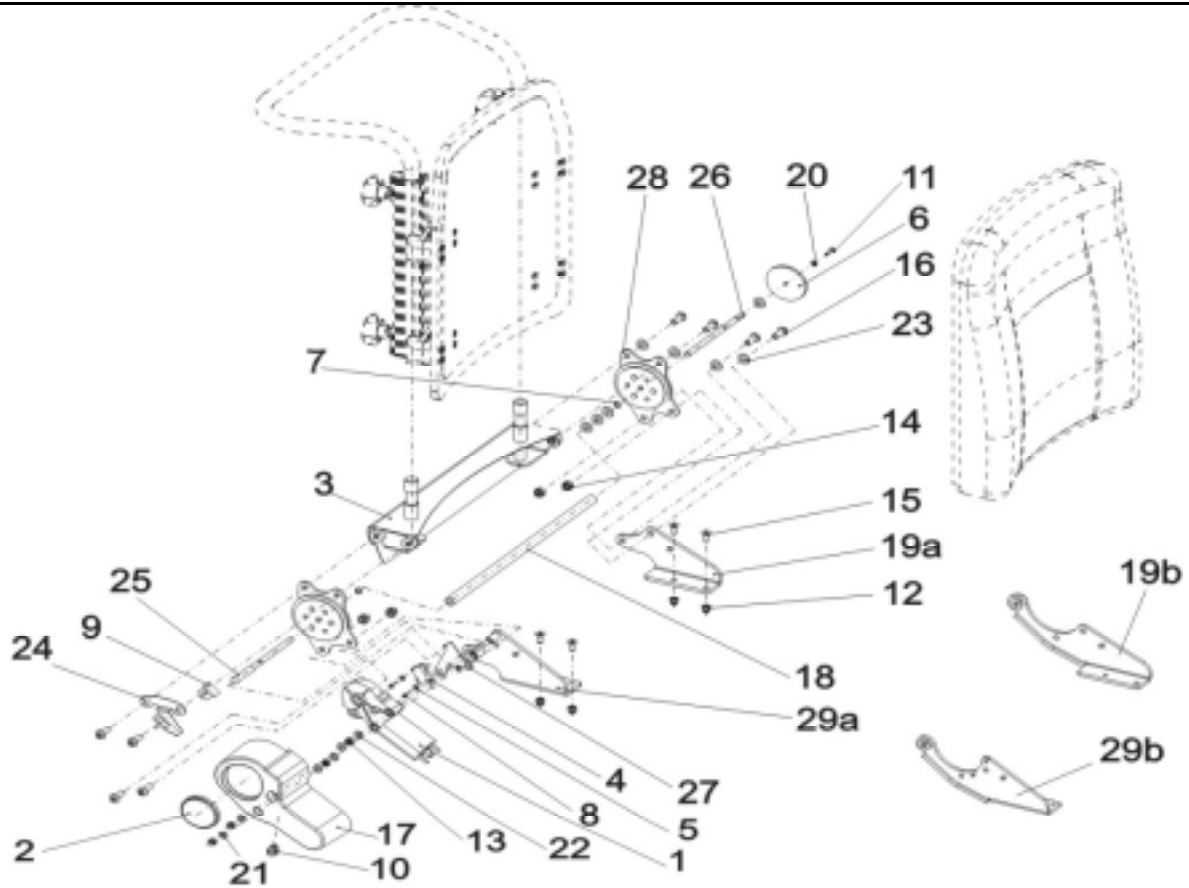
Item	Qty	Part-No.	Part-Designation
-	1	<b>SP1422122</b>	<b>MANUAL BACKREST ADJUSTMENT F. FLEX SB 39 CPL.</b>
1	1	1422119-9005	BACKREST RECEPTACLE 390 MM
2	1	1420483	HAND WHEEL
3	2	1421696	PERFORATED REFLECTOR; YELLOW
-	1	<b>SP1423210</b>	<b>BACKREST ADJUSTMENT ASSEMBLY KIT, CPL.</b>
4	2		RETAINING RING
5	2		CROSS HEAD SCREW M4 X 16
6	4		DOMED NYLOC NUT M6, SELF-LOCKING
7	4		NYLOC NUT M8
8	4		COUNTERSUNK SOCKET HEAD SCREW M6 X 16
9	8		SCREW M8 X 20
13	1		WASHER 4,3 X 9 X 0,8
14	11		WASHER 8,4 X 17 X 1,6
15	1		WASHER 8,4 X 25 X 2 DIN 9021
16	1	1420488-0002	SUPPORT SHAFT
-	1	<b>SP1423211</b>	<b>SEAT BRACE (1 PAIR)</b>
17	2		SEAT BRACE
18	1	1421713-0003	HAND WHEEL SHAFT
10	1	1420489	CONNECTING TUBE 380 MM
11a	1	1420477-9005	BRACE RECEPTACLE manual/electrical LH
11b	1	1429564-9005	FITTING ATTACHMENT LH F. SLIDING ARMREST
12a	1	1420476-9005	BRACE RECEPTACLE manual RH
12b	1	1429563-9005	FITTING ATTACHMENT RH F. MANUAL ADJUSTMENT

### Storm 3



Customer :  
 Customer No. :  
 Phone :

Contact :  
 Commission :  
 Serial No. :



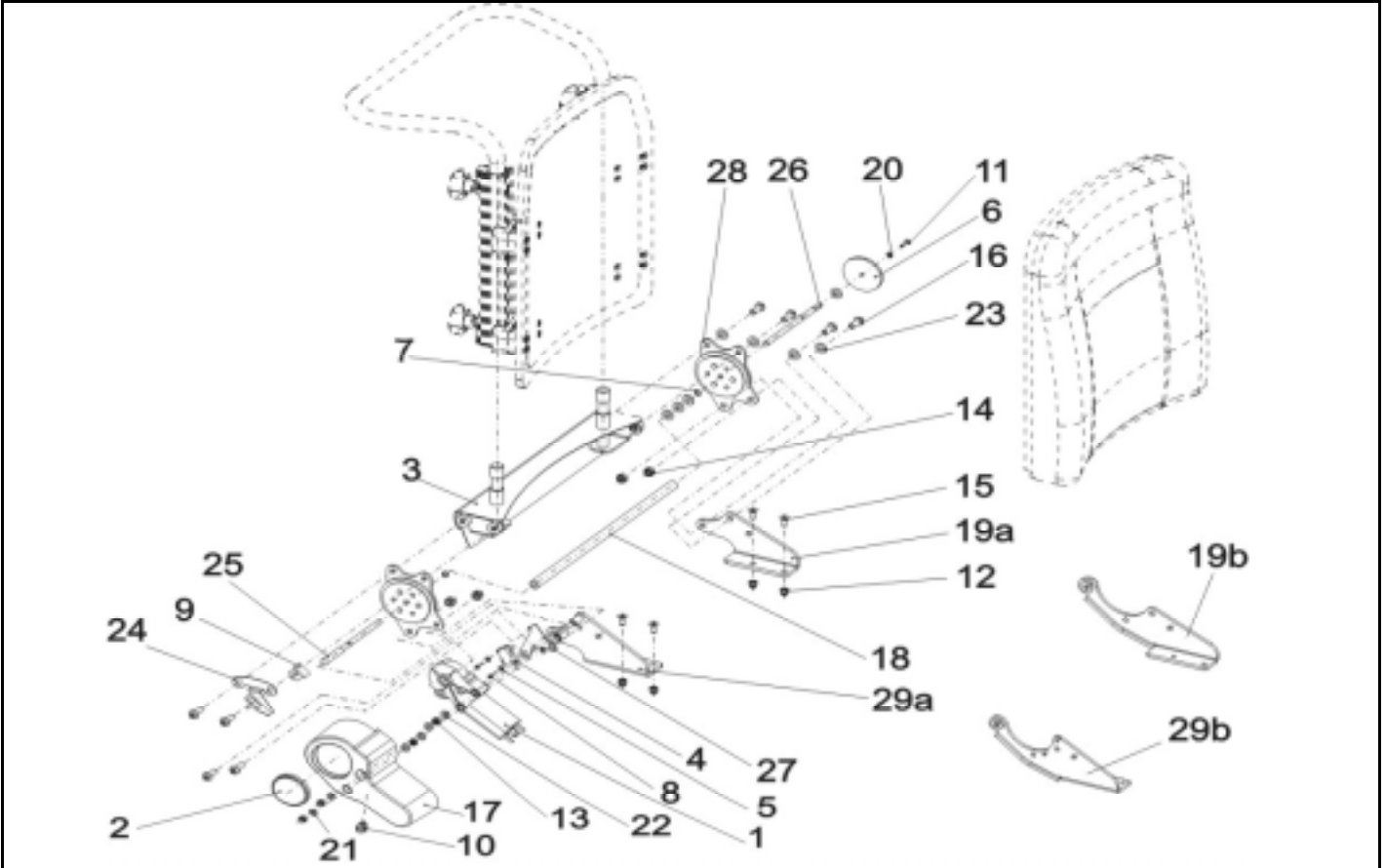
Item	Qty	Part-No.	Part-Designation
-	1	<b>SP1422123</b>	<b>ELECTRONIC BACKREST ADJUSTMENT F. FLEX SB 39 CPL.</b>
1	1	1420475	GEAR MOTOR GMPG
2	1	1420482	REFLECTOR
3	1		BACKREST RECEPTACLE 390 MM
-	1	<b>SP1423213</b>	<b>LIMIT STOP SWITCH CPL.</b>
4	1		LIMIT STOP SWITCH
27	1		MICRO SWITCH PLATE
5	2		FIBREGLASS WASHER
6	1		PERFORATED REFLECTOR; YELLOW
7	2		RETAINING RING
8	2		SELF-TAPPING CROSS HEAD SCREW 2,9 X 16
-	1	<b>SP1423212</b>	<b>SOLID ANGLE SENSOR CPL.</b>
9	1		SOLID ANGLE SENSOR
24	1		SOLID ANGLE SENSOR PLATE
11	1		CROSS HEAD SCREW M4 X 16
12	6		DOMED NYLOC NUT M6, SELF-LOCKING
13	2		NYLOC NUT M6
14	4		NYLOC NUT M8
15	4		COUNTERSUNK SOCKET HEAD SCREW M6 X 16
16	8		SCREW M8 X 20
17	1	1420998	MOTOR CAP
18	1	1420489	CONNECTING TUBE 380 MM
19a	1	1420477-9005	BRACE RECEPTACLE manual/electrical LH
19b	1	1429564-9005	FITTING ATTACHMENT LH F. SLIDING ARMREST
20	1		WASHER 4,3 X 9 X 0,8

### Storm 3



Customer :  
 Customer No. :  
 Phone :

Contact :  
 Commission :  
 Serial No. :



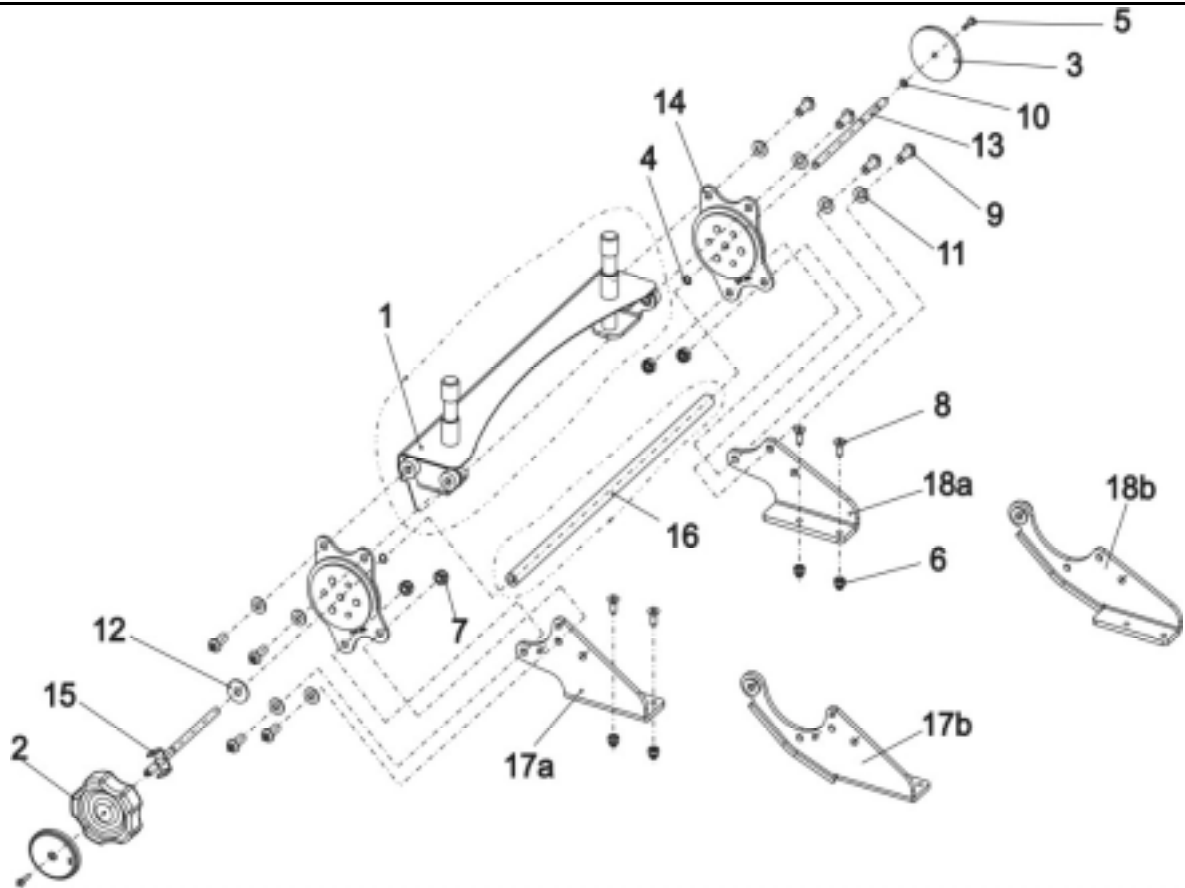
<b>Item</b>	<b>Qty</b>	<b>Part-No.</b>	<b>Part-Designation</b>
21	2		WASHER 6,4 X 12,5 X 1,6
22	4		WASHER 6,4 X 12,5 X 1,6
23	8		WASHER 8,4 X 17 X 1,6
25	1	1420487-0002	MOTOR SHAFT
26	1	1420488-0002	SUPPORT SHAFT
-	1	<b>SP1423215</b>	<b>SEAT BRACE CPL. (PAIR)</b>
<b>28</b>	2		SEAT BRACE
29a	1	1421708-9005	BRACE RECEPTACLE electrical, RH
29b	1	1429565-9005	FITTING ATTACHMENT RH F. ELECTRICAL ADJUSTMENT

**Storm 3**



Customer :  
 Customer No. :  
 Phone :

Contact :  
 Commission :  
 Serial No. :



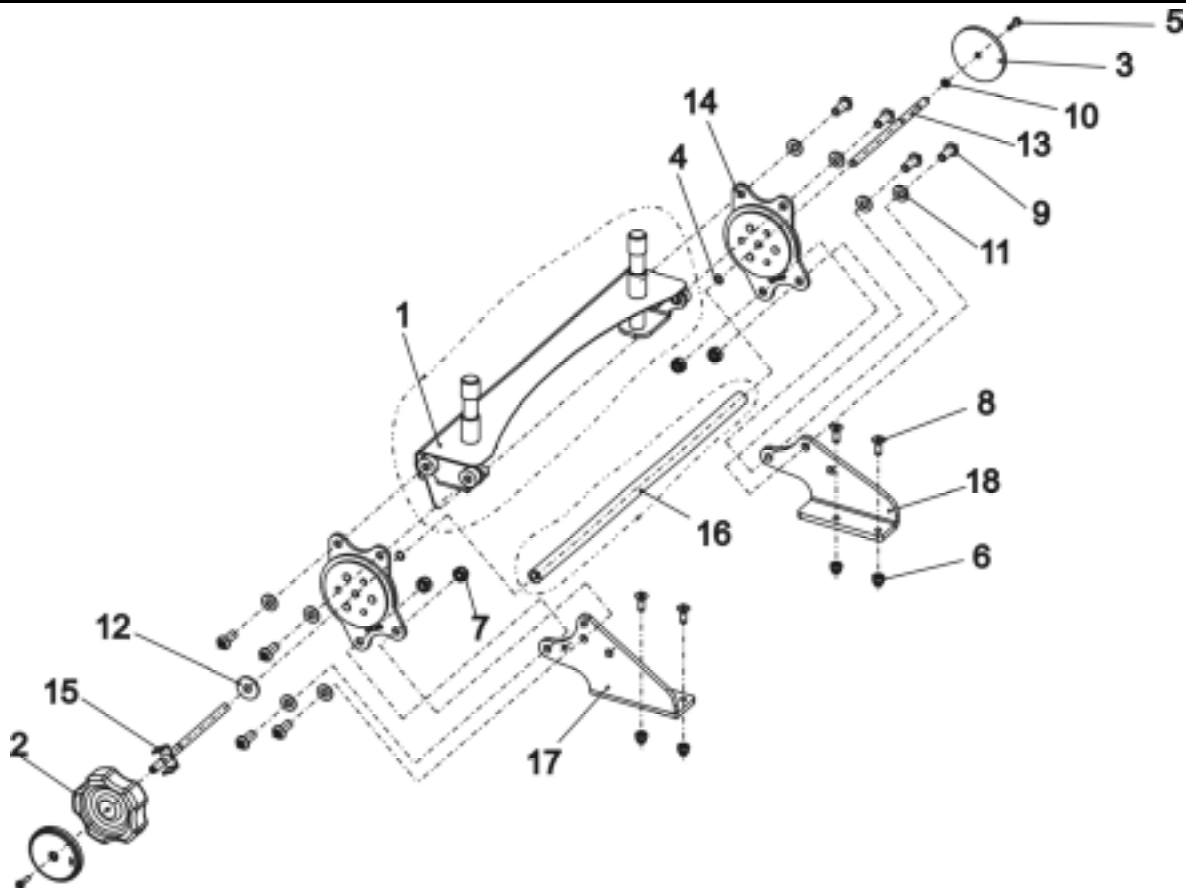
Item	Qty	Part-No.	Part-Designation
-	1	<b>SP1422066</b>	<b>MANUAL BACKREST ADJUSTMENT SB 43 CPL.</b>
1	1	1419992-9005	BACKREST RECEPTACLE 430 MM
2	1	1420483	HAND WHEEL
3	2	1421696	PERFORATED REFLECTOR; YELLOW
-	1	<b>SP1423210</b>	<b>BACKREST ADJUSTMENT ASSEMBLY KIT, CPL.</b>
4	2		RETAINING RING
5	2		CROSS HEAD SCREW M4 X 16
6	4		DOMED NYLOC NUT M6, SELF-LOCKING
7	4		NYLOC NUT M8
8	4		COUNTERSUNK SOCKET HEAD SCREW M6 X 16
9	8		SCREW M8 X 20
10	1		WASHER 4,3 X 9 X 0,8
11	8		WASHER 8,4 X 17 X 1,6
12	1		WASHER 8,4 X 25 X 2 DIN 9021
13	1	1420488-0002	SUPPORT SHAFT
-	1	<b>SP1423211</b>	<b>SEAT BRACE (1 PAIR)</b>
14	2		SEAT BRACE
15	1	1421713-0003	HAND WHEEL SHAFT
16	1	1420490	CONNECTING TUBE 430 MM
17a	1	1420476-9005	BRACE RECEPTACLE manual RH
17b	1	1429563-9005	FITTING ATTACHMENT RH F. MANUAL ADJUSTMENT
18a	1	1420477-9005	BRACE RECEPTACLE manual/electrical LH
18b	1	1429564-9005	FITTING ATTACHMENT LH F. SLIDING ARMREST

### Storm 3



Customer :  
 Customer No. :  
 Phone :

Contact :  
 Commission :  
 Serial No. :



Item	Qty	Part-No.	Part-Designation
-	1	<b>SP1422067</b>	<b>MANUAL BACKREST ADJUSTMENT SB 48 CPL.</b>
1	1	1422112-9005	BACKREST RECEPTACLE 480 MM
2	1	1420483	HAND WHEEL
3	2	1421696	PERFORATED REFLECTOR; YELLOW
-	1	<b>SP1423210</b>	<b>BACKREST ADJUSTMENT ASSEMBLY KIT, CPL.</b>
4	2		RETAINING RING
5	2		CROSS HEAD SCREW M4 X 16
6	4		DOMED NYLOC NUT M6, SELF-LOCKING
7	4		NYLOC NUT M8
8	4		COUNTERSUNK SOCKET HEAD SCREW M6 X 16
9	8		SCREW M8 X 20
10	1		WASHER 4,3 X 9 X 0,8
11	8		WASHER 8,4 X 17 X 1,6
12	1		WASHER 8,4 X 25 X 2 DIN 9021
13	1	1420488-0002	SUPPORT SHAFT
-	1	<b>SP1423211</b>	<b>SEAT BRACE (1 PAIR)</b>
14	2		SEAT BRACE
15	1	1421713-0003	HAND WHEEL SHAFT
16	1	1420491	CONNECTING TUBE 480 MM
17	1	1420476-9005	BRACE RECEPTACLE manual RH
18	1	1420477-9005	BRACE RECEPTACLE manual/electrical LH

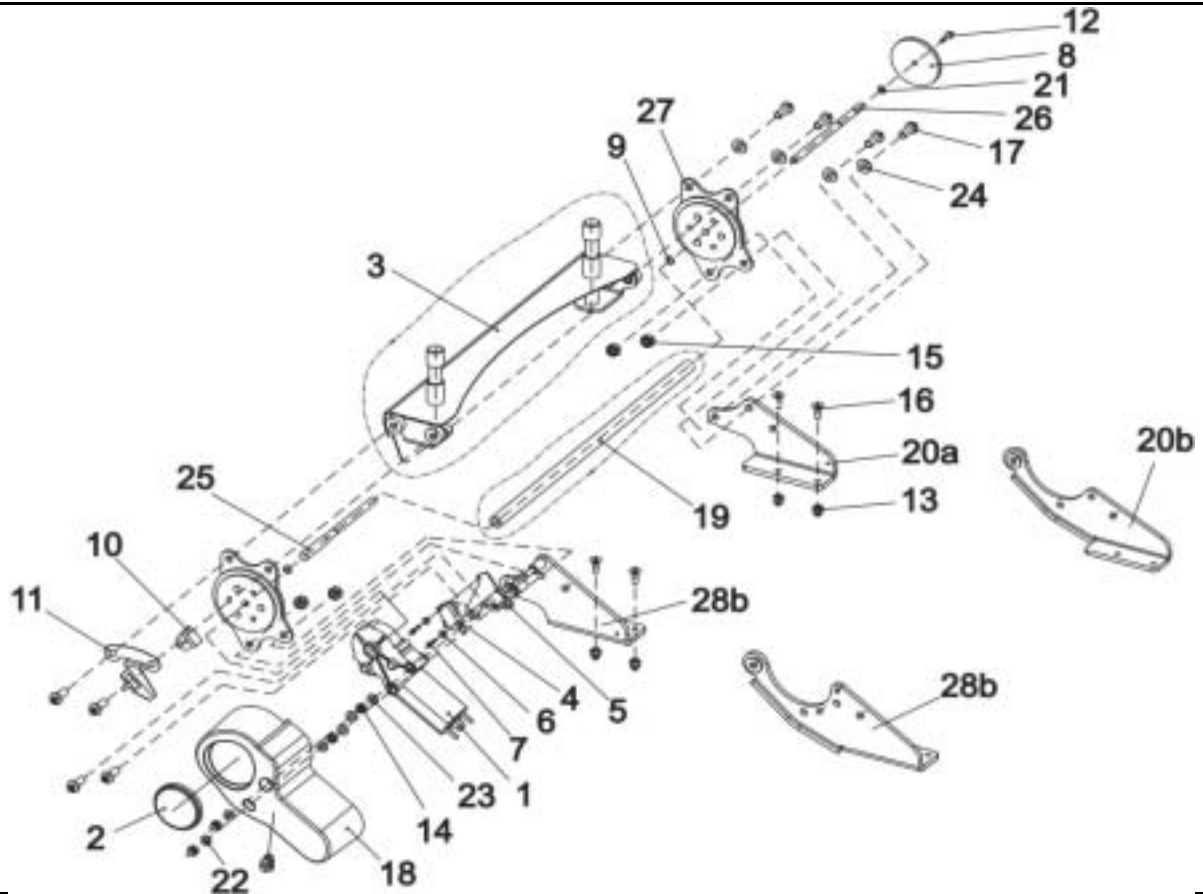
### Storm 3



Release  
 07 / 2004  
 Chapter 10  
 Sheet 6

Customer :  
 Customer No. :  
 Phone :

Contact :  
 Commission :  
 Serial No. :



Item	Qty	Part-No.	Part-Designation
-	1	SP1422068	<b>ELECTRONIC BACKREST ADJUSTMENT SB 43 CPL.</b>
1	1	1420475	GEAR MOTOR GMPG
2	1	1420482	REFLECTOR
3	1		BACKREST RECEPTACLE 430 MM
-	1	SP1423213	<b>LIMIT STOP SWITCH CPL.</b>
4	1	1422887	LIMIT STOP SWITCH
5	1		MICRO SWITCH PLATE
6	2		FIBREGLASS WASHER
7	2		SELF-TAPPING CROSS HEAD SCREW 2,9 X 16
8	1		PERFORATED REFLECTOR; YELLOW
9	2		RETAINING RING
-	1	SP1423212	<b>SOLID ANGLE SENSOR CPL.</b>
10	1		SOLID ANGLE SENSOR
11	1		SOLID ANGLE SENSOR PLATE
12	1		CROSS HEAD SCREW M4 X 16
13	6		DOMED NYLOC NUT M6, SELF-LOCKING
14	2		NYLOC NUT M6
15	4		NYLOC NUT M8
16	4		COUNTERSUNK SOCKET HEAD SCREW M6 X 16
17	8		SCREW M8 X 20
18	1	1420998	MOTOR CAP
19	1	1420490	CONNECTING TUBE 430 MM
20a	1	1420477-9005	BRACE RECEPTACLE manual/electrical LH
20b	1	1429564-9005	FITTING ATTACHMENT LH F. SLIDING ARMREST
21	1		WASHER 4,3 X 9 X 0,8

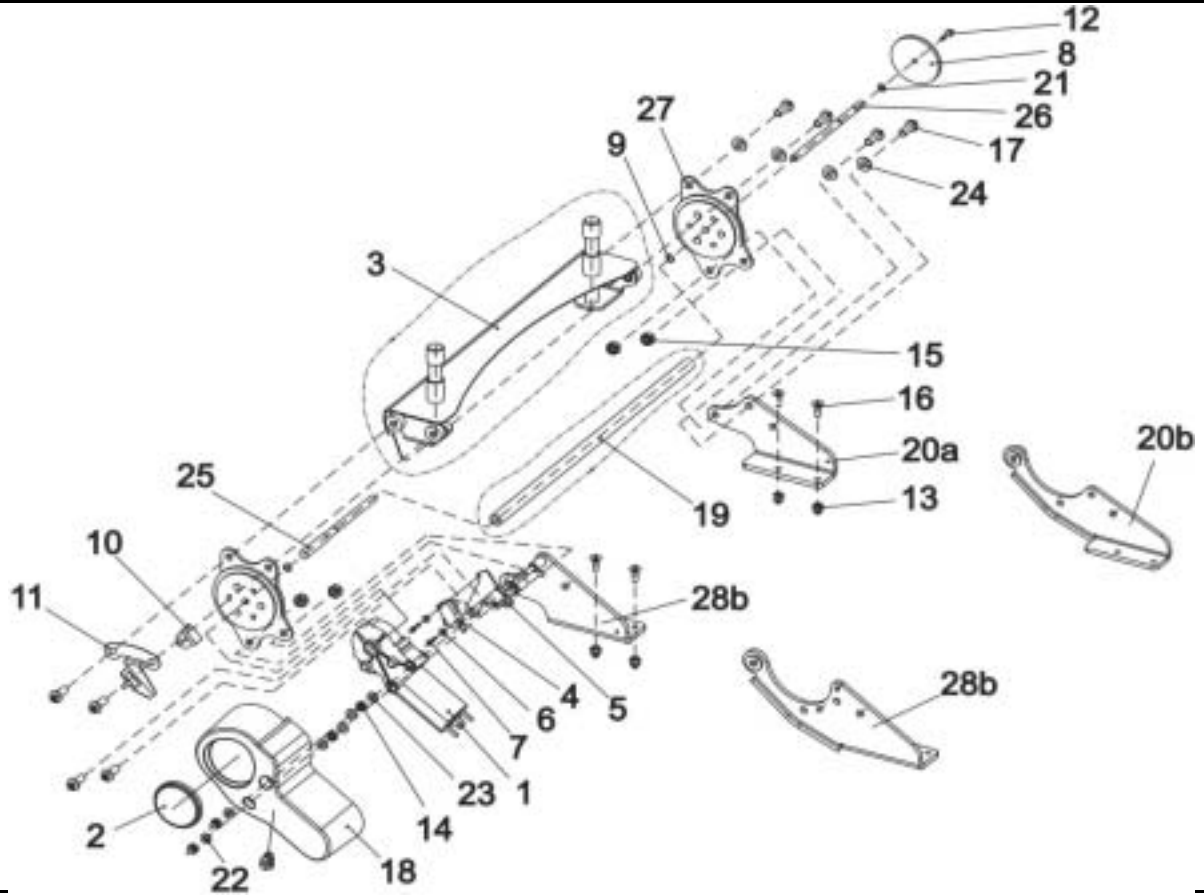
### Storm 3



Release  
 07 / 2004  
 Chapter 10  
 Sheet 7

Customer :  
 Customer No. :  
 Phone :

Contact :  
 Commission :  
**Serial No. :**



<b>Item</b>	<b>Qty</b>	<b>Part-No.</b>	<b>Part-Designation</b>
22	2		WASHER 6,4 X 12,5 X 1,6
23	4		WASHER 6,4 X 12,5 X 1,6
24	4		WASHER 8,4 X 17 X 1,6
25	1	1420487-0002	MOTOR SHAFT
26	1	1420488-0002	SUPPORT SHAFT
-	1	<b>SP1423215</b>	<b>SEAT BRACE CPL. (PAIR)</b>
27	2		SEAT BRACE
28a	1	1421708-9005	BRACE RECEPTACLE electrical, RH
28b	1	1429565-9005	FITTING ATTACHMENT RH F. ELECTRICAL ADJUSTMENT

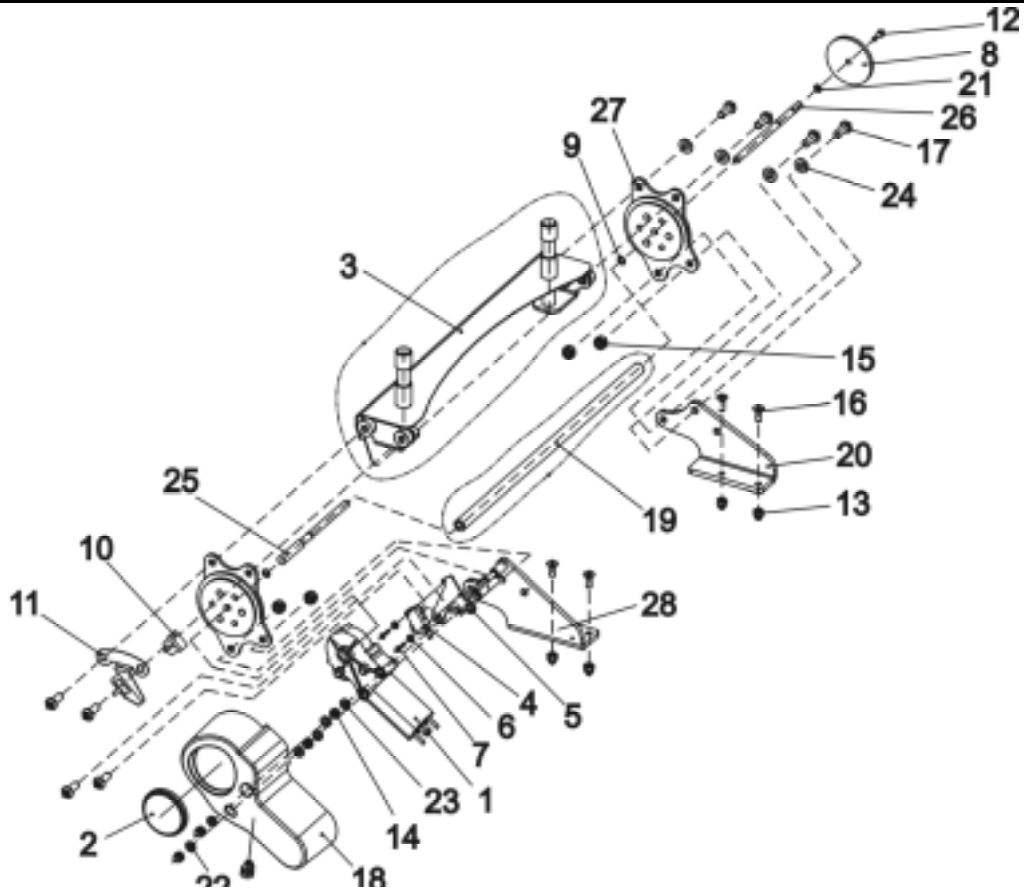
**Storm 3**





Customer :  
 Customer No. :  
 Phone :

Contact :  
 Commission :  
 Serial No. :



Item	Qty	Part-No.	Part-Designation
-	1	<b>SP1422069</b>	<b>ELECTRONIC BACKREST ADJUSTMENT SB 48 CPL.</b>
1	1	1420475	GEAR MOTOR GMPG
2	1	1420482	REFLECTOR
3	1		BACKREST RECEPTACLE 480 MM
-	1	<b>SP1423213</b>	<b>LIMIT STOP SWITCH CPL.</b>
4	1	1422887	LIMIT STOP SWITCH
5	1		SEAT BRACE
6	2		FIBREGLASS WASHER
7	2		SELF-TAPPING CROSS HEAD SCREW 2,9 X 16
8	1		PERFORATED REFLECTOR; YELLOW
9	2		RETAINING RING
-	1	<b>SP1423212</b>	<b>SOLID ANGLE SENSOR CPL.</b>
10	1		SOLID ANGLE SENSOR
11	1		SOLID ANGLE SENSOR PLATE
12	1		CROSS HEAD SCREW M4 X 16
13	6		DOMED NYLOC NUT M6, SELF-LOCKING
14	2		NYLOC NUT M6
15	4		NYLOC NUT M8
16	4		COUNTERSUNK SOCKET HEAD SCREW M6 X 16
17	8		SCREW M8 X 20
18	1	1420998	MOTOR CAP
19	1	1420491	CONNECTING TUBE 480 MM
20	1	1420477-9005	BRACE RECEPTACLE manual/electrical LH
21	1		WASHER 4,3 X 9 X 0,8
22	2		WASHER 6,4 X 12,5 X 1,6

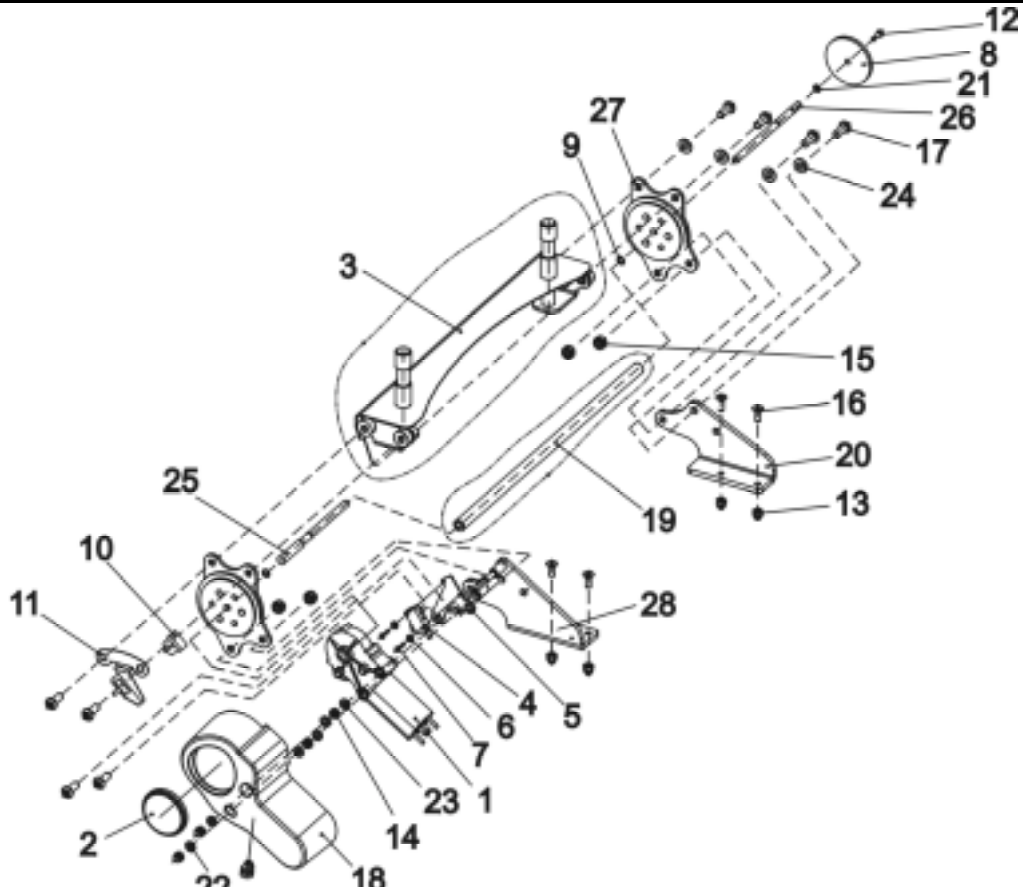
### Storm 3



Release  
 07 / 2004  
 Chapter 10  
 Sheet 9

Customer :  
 Customer No. :  
 Phone :

Contact :  
 Commission :  
**Serial No. :**



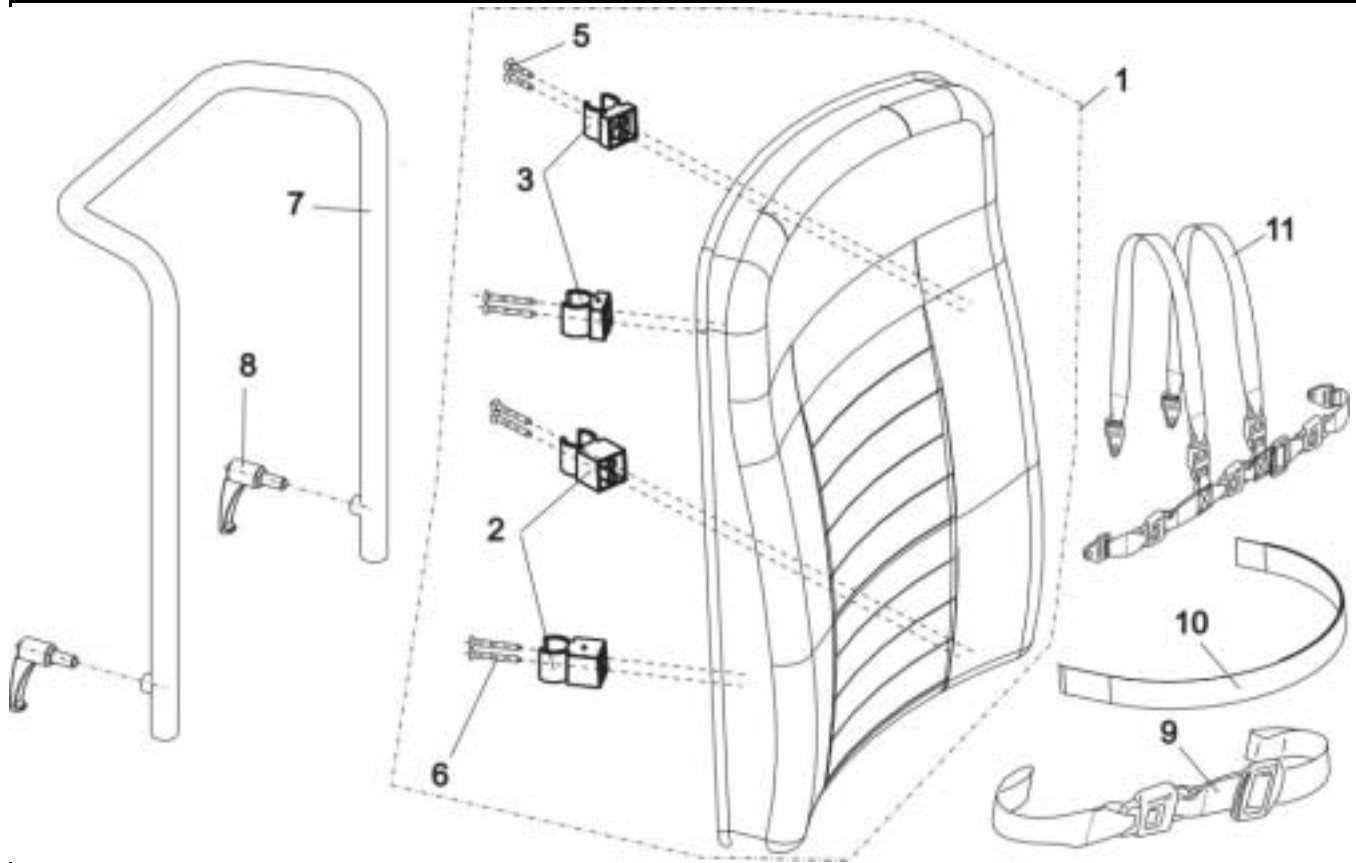
<b>Item</b>	<b>Qty</b>	<b>Part-No.</b>	<b>Part-Designation</b>
23	4		WASHER 6,4 X 12,5 X 1,6
24	4		WASHER 8,4 X 17 X 1,6
25	2	1420487-0002	MOTOR SHAFT
26	2	1420488-0002	SUPPORT SHAFT
-	1	<b>SP1423215</b>	<b>SEAT BRACE CPL. (PAIR)</b>
27	2		SEAT BRACE
28	1	1421708-9005	BRACE RECEPTACLE electrical, RH

**Storm 3**



Customer :  
 Customer No. :  
 Phone :

Contact :  
 Commission :  
**Serial No. :**



Item	Qty	Part-No.	Part-Designation
1	1	SP1422075	PRE-ASSEMBLED BACKREST PAD CONTOUR SB 43, GREY
1	1	SP1422076	PRE-ASSEMBLED BACKREST PAD CONTOUR SB 43, BLACK
1	1	SP1422077	PRE-ASSEMBLED BACKREST PAD CONTOUR SB 48, GREY
1	1	SP1422078	PRE-ASSEMBLED BACKREST PAD CONTOUR SB 48, BLACK
1	1	SPF365037	BACK CUSHION FOR STORM <sup>3</sup> EURO CPL.
-	1	SP1423216	<b>PADDED BACKREST UPHOLSTERY ASSEMBLY KIT</b>
2	2		CLAMP LONG
3	2		CLAMP SHORT
5	4		SCREW 5 X 30
6	4		SCREW 5 X 45, DIN 7505
7	1	1420478-9005	BACK TUBE CONTOUR
7	1	1434878-9005	BACKTUBE CONTOUR FOR STORM <sup>3</sup> EURO
8	1	L31996	LEVER M10 X 20
9	1	1422846	POSITIONING STRAP W. SNAP CPL. FOR FLEX/CONTOUR
10	1	1422870	POSITIONING STRAP W. VELCRO CPL. FOR FLEX/CONTOUR-SEAT
11	1	1422848	H-STRAP STD./CONTOUR

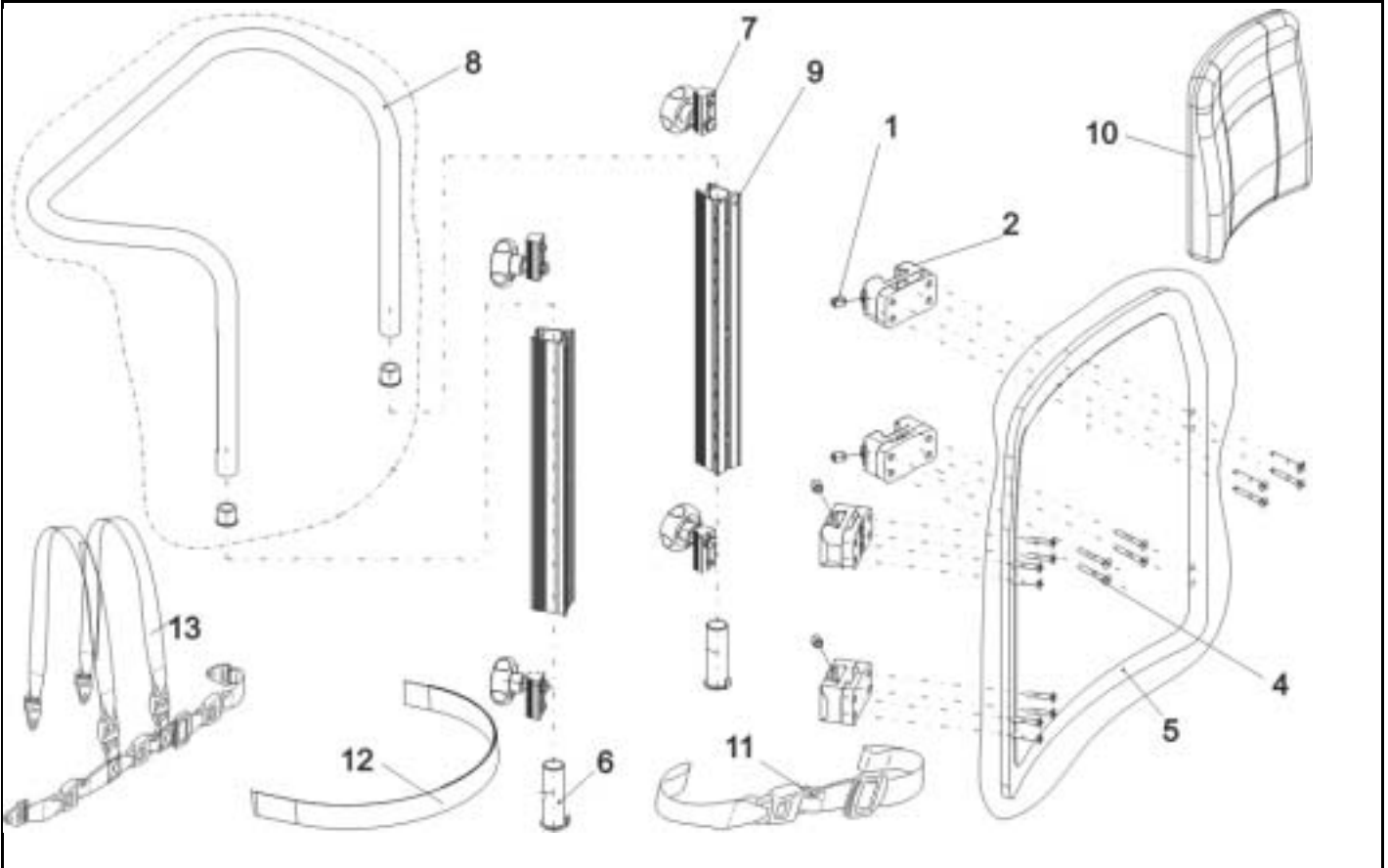
**Storm 3**



Release  
 07 / 2004  
 Chapter 10  
 Sheet 11

Customer :  
 Customer No. :  
 Phone :

Contact :  
 Commission :  
**Serial No. :**



Item	Qty	Part-No.	Part-Designation
-	1	SP1422126	BACKREST FLEX SB 39 WITHOUT UPHOLSTERY CPL.
-	1	SP1422124	BACKREST FLEX SB 43 WITHOUT UPHOLSTERY CPL.
-	1	SP1422125	BACKREST FLEX SB 48 WITHOUT UPHOLSTERY CPL.
-	1	SP1423217	BACK PLATE SB 39 CPL.
-	1	SP1423218	BACK PLATE SB 43 CPL.
-	1	SP1423219	BACK PLATE SB 48 CPL.
1	4		SET SCREW DIN 916-M10 X 12
2	1	SP1422117	SPACER BLOCK, 4 PIECES
4	16		SCREW 5 X 35, DIN 7505
5	1		BACK PLATE SB 39
5	1		BACK PLATE SB 43
5	1		BACK PLATE SB 48
9	2	5252204	BACKREST BAR
-	1	SP1423220	GUIDE BUSH CPL. (PAIR)
6	2		GUIDE BUSH
6	2		FIXING SLEEVE CPL. FLEX SEAT
7	4	5253088	FIXING BLOCK
8	1	1425840-9005	PUSH HANDLE SB 39
8	1	1425839-9005	PUSH HANDLE SB 44/48

->02/03  
 03/03->

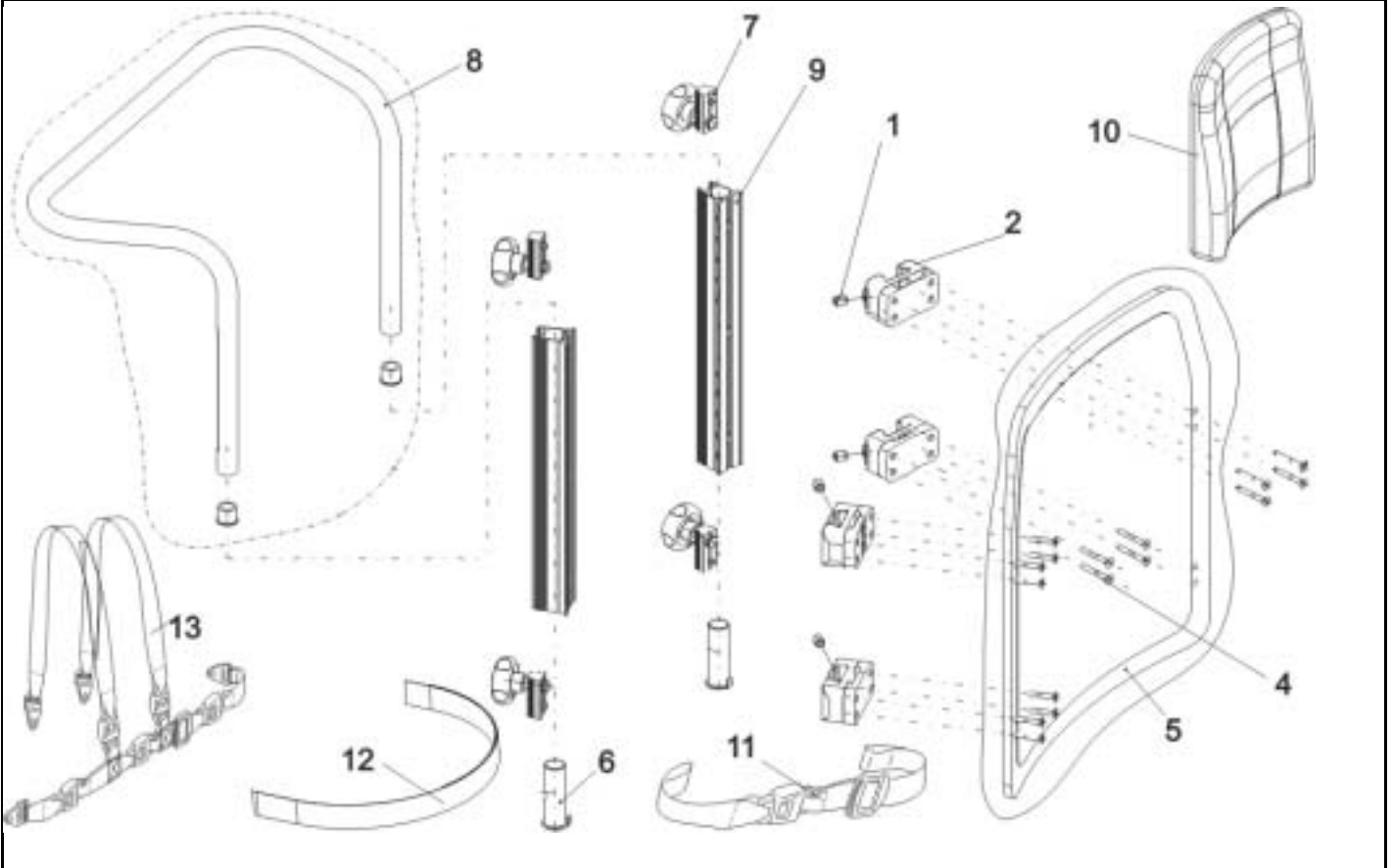
### Storm 3



Release  
 07 / 2004  
 Chapter 10  
 Sheet 12

Customer :  
 Customer No. :  
 Phone :

Contact :  
 Commission :  
**Serial No. :**



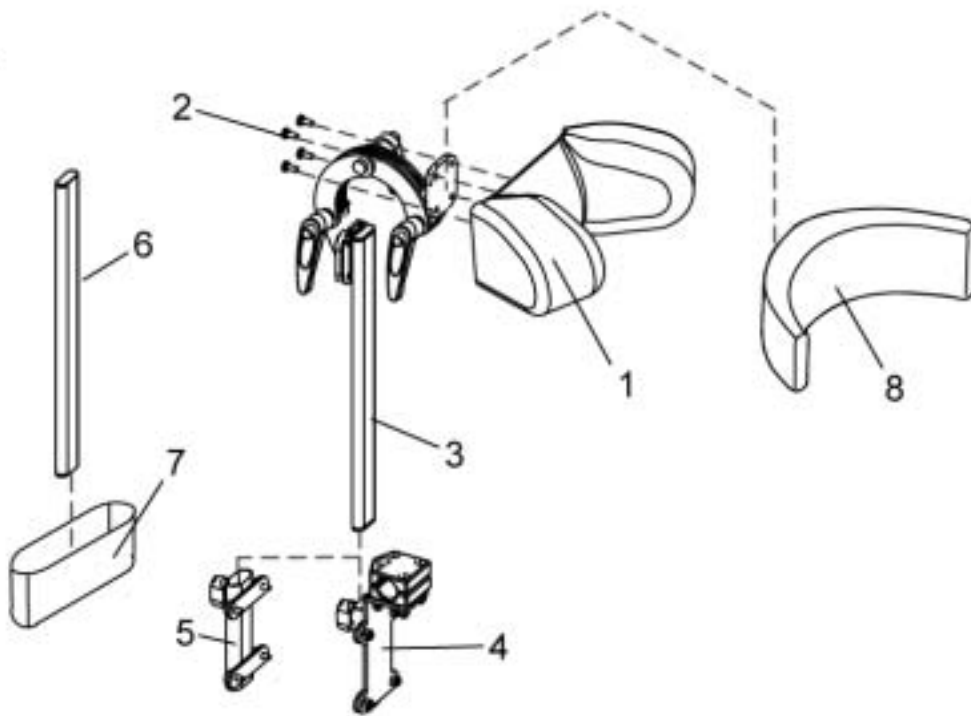
<b>Item</b>	<b>Qty</b>	<b>Part-No.</b>	<b>Part-Designation</b>
10	1	1422534	BACK CUSHION SB 39; BLUE
10	1	5252506-TR04	BACKREST CUSHION VINYL GREY, SB 39
10	1	5252506-TR23	BACKREST CUSHION DARTEX, SB 39
10	1	1422537	BACK CUSHION SB 43 VIC AIR
10	1	5252507-TR04	BACKREST CUSHION VINYL GREY, SB 44
10	1	1422535	BACK CUSHION SB 43; BLUE
10	1	5252507-TR23	BACKREST CUSHION DARTEX, SB 43
10	1	5252508-TR04	BACKREST CUSHION VINYL GREY, SB 49
10	1	1422536	BACK CUSHION SB 48; BLUE
10	1	5252508-TR23	BACKREST CUSHION DARTEX, SB 48
11	1	1422846	POSITIONING STRAP W. SNAP CPL. FOR FLEX/CONTOUR
12	1	1422870	POSITIONING STRAP W. VELCRO CPL. FOR FLEX/CONTOUR-SEAT
13	1	1422847	H-STRAP FLEX

**Storm 3**



Customer :  
 Customer No. :  
 Phone :

Contact :  
 Commission :  
**Serial No. :**



Item	Qty	Part-No.	Part-Designation
-	1	SP1422924	<b>HEADREST CONTOUR GREY CPL.</b>
8	1	1422866	HEADREST PAD STD./CONTOUR GREY
-	1	SP1422925	<b>HEADREST CONTOUR BLACK CPL.</b>
8	1	1422865	HEADREST PAD STD./CONTOUR BLACK
-	1	SP1422926	<b>HEADREST FLEX BLUE CPL.</b>
1	1	1422544	HEADREST PAD FLEX BLUE
-	1	SP1423163	<b>HEADREST FLEX GREY CPL.</b>
	1	5252230-TR04	HEADREST PAD FLEX GREY
2	4		CROSS HEAD SCREW M5 X 12
3	1	5255497	HEADREST HOLDER
4	1	SP1422914	HEADREST HOLDER F. STD. SEAT SYSTEM CPL.
5	1	SP1422547	HEADREST HOLDER F. CONTOUR/FLEX. SEAT SYSTEM CPL.
6	1	1422921	HOLDER F. BACKREST EXTENSION
-	-		<b>ONLY FOR SEAT SYSTEMS WITHOUT HEADREST</b>
7	1	SP1422918	BACKREST EXTENSION FLEX SB 39; BLUE
7	1	SP1422919	BACKREST EXTENSION FLEX SB 43; BLUE
7	1	SP1422920	BACKREST EXTENSION FLEX SB 48; BLUE
7	1	5253035-TR04	BACKREST EXTENSION SB 39; GREY
7	1	5253036-TR04	BACKREST EXTENSION SB 44; GREY
7	1	5253037-TR04	BACKREST EXTENSION SB 49; GREY
7	1	5253035-TR23	BACKREST EXTENSION REA 704 SB 39; DARTEX GREY
7	1	5253036-TR23	BACKREST EXTENSION REA 704 SB 43; DARTEX GREY
7	1	5253037-TR23	BACKREST EXTENSION REA 704 SB 48; DARTEX GREY

### Storm 3



Release  
 07 / 2004  
 Chapter 10  
 Sheet 14