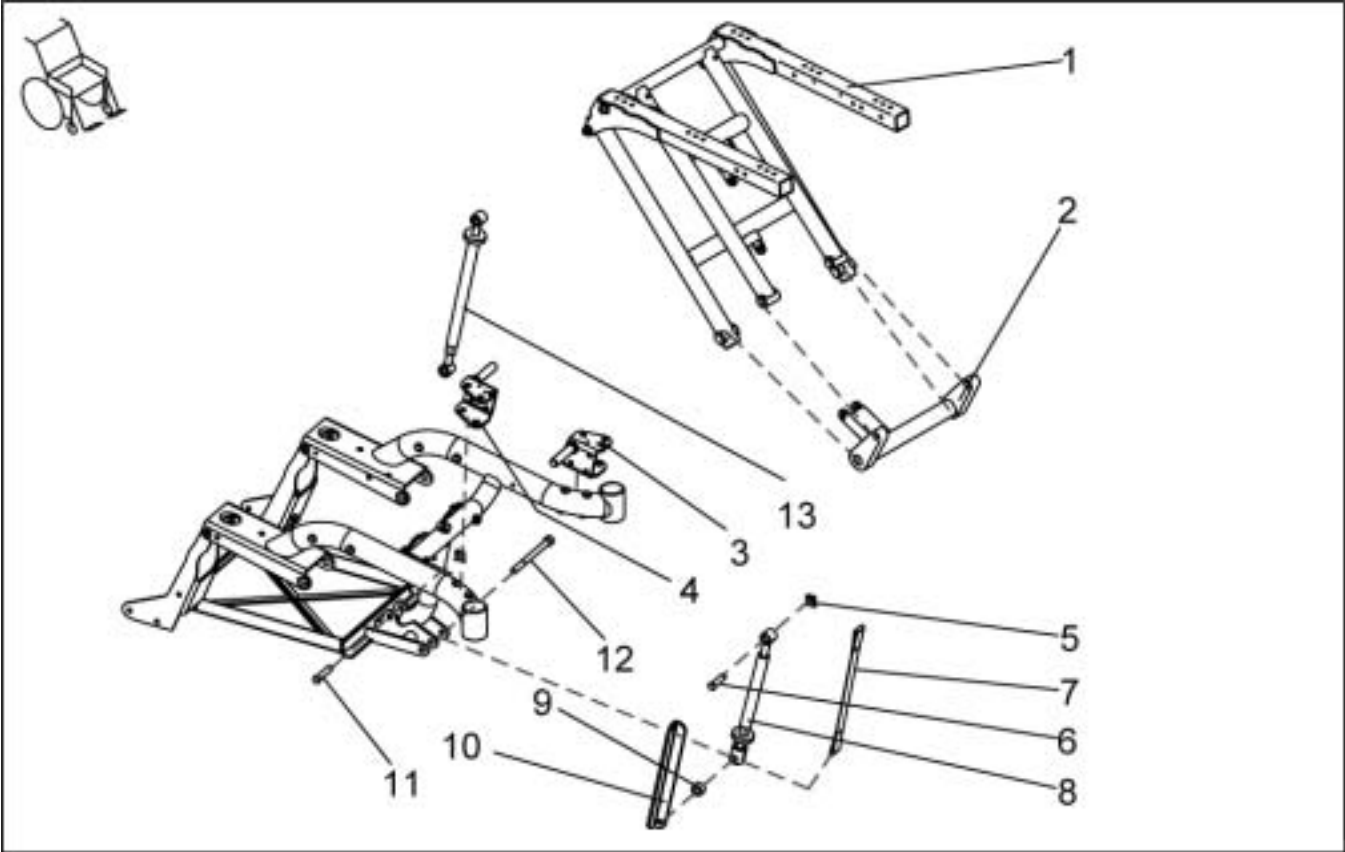


Customer :
 Customer No. :
 Phone :

Contact :
 Commission :
 Serial No. :



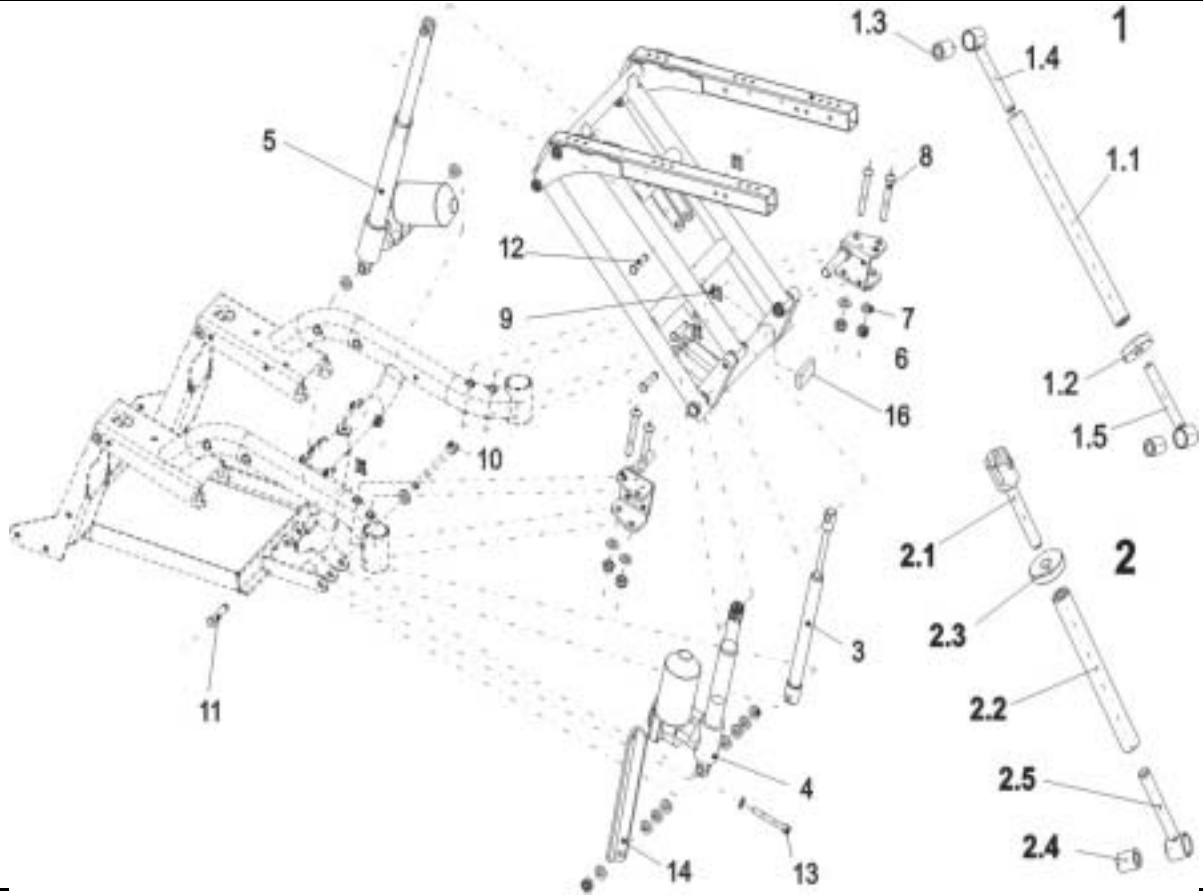
| Item | Qty | Part-No. | Part-Designation |
|------|-----|--------------|--|
| 1 | 1 | 1418527 | PREASSEMBLED LIFTER UNIT |
| 2 | 1 | 1440506 | SWIVEL FORK LIFTER WITH BUSHINGS CPL. |
| 3 | 1 | 1418547-9005 | BEARING PLATE LH |
| 4 | 1 | 1418544-9005 | BEARING PLATE RH |
| - | 1 | 1434934 | SEAT HEIGHT ADJUSTMENT MANUAL, PREASSEMBLED |
| 5 | 3 | K32395 | SL-LOCKING WASHER 10 MM |
| 6 | 2 | 1419941-0003 | SECURING BOLT 44.5 MM |
| 7 | 1 | 1430121 | RESTRAINT 25 MM |
| 8 | 1 | 1420003 | SPINDLE SEAT HEIGHT ADJUSTMENT MANUAL CPL. |
| 9 | 1 | 1426297 | SPACER 10,5 X 21 X 16 |
| 11 | 1 | 1419943-0003 | SECURING BOLT 52.5 MM |
| - | 1 | 1426296 | SPACER 10,5 X 21 X 12 |
| - | 1 | 1434935 | SEAT ANGLE ADJUSTMENT MANUAL, PREASSEMBLED |
| 5 | 1 | K32395 | SL-LOCKING WASHER 10 MM |
| 6 | 1 | 1419941-0003 | SECURING BOLT 44.5 MM |
| 7 | 1 | 1423490 | BOLT M10 X 125 DIN 912 |
| 9 | 1 | 1426297 | SPACER 10,5 X 21 X 16 |
| 10 | 1 | 1423440-9005 | ANGLE BRACE |
| 13 | 1 | 1420004 | SPINDLE SEAT ANGLE ADJUSTMENT MANUAL CPL. |
| - | 1 | 1426296 | SPACER 10,5 X 21 X 12 |

Storm 3



Customer :
 Customer No. :
 Phone :

Contact :
 Commission :
 Serial No. :



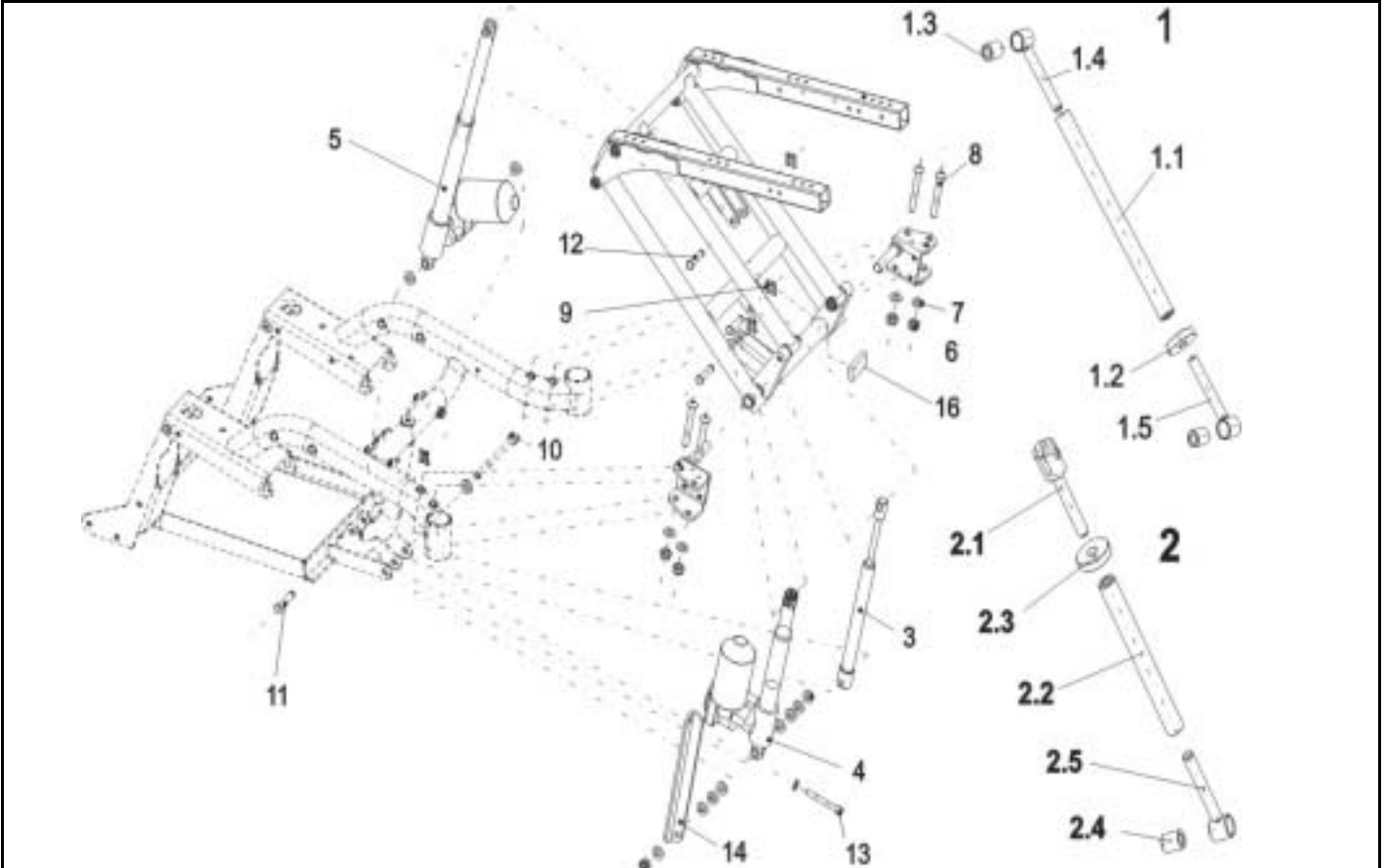
| Item | Qty | Part-No. | Part-Designation |
|------|-----|----------------|--|
| - | 1 | 1434931 | SEAT HEIGHT ADJUSTMENT ELECTRICAL, PREASSEMBLED |
| 3 | 1 | SP1419237 | GAS PRESSURE SPRING CPL. |
| 5 | 1 | 1419400 | MOTOR LA30.1S-150-24-002 |
| 9 | 2 | K32395 | SL-LOCKING WASHER 10 MM |
| 11 | 1 | 1419943-0003 | SECURING BOLT 52.5 MM |
| 12 | 1 | 1419941-0003 | SECURING BOLT 44.5 MM |
| - | 1 | 1429559 | MAGNET |
| - | 2 | 1426295 | SPACER 10,5x21x4 |
| - | 1 | 1434932 | SEAT ANGLE ADJUSTMENT ELECTRICAL, PREASSEMBLED |
| - | 1 | 1426296 | SPACER 10,5 X 21 X 12 |
| - | 1 | 1426297 | SPACER 10,5 X 21 X 16 |
| 4 | 1 | 1434425 | MOTOR LA30.1L-50-24-001 w. PULL BRAKE |
| 6 | 1 | | NYLOC NUT M10 DIN 985 |
| 7 | 2 | | WASHER 10,5 X 21 X 2 DIN 125 |
| 9 | 1 | K32395 | SL-LOCKING WASHER 10 MM |
| 10 | 1 | 1423490 | BOLT M10 X 125 DIN 912 |
| 11 | 1 | 1419941-0003 | SECURING BOLT 44.5 MM |
| 13 | 1 | 5824318 | SCREW M8 X 65 DIN 912 |
| 14 | 1 | 1423440-9005 | ANGLE BRACE |

Storm 3



Customer :
 Customer No. :
 Phone :

Contact :
 Commission :
 Serial No. :



| Item | Qty | Part-No. | Part-Designation |
|------|-----|--------------|--|
| - | - | | ONLY FOR STORM³ TRUE TRACK |
| - | 1 | 1434933 | SEAT ANGLE ADJUSTMENT EL. PREASS. (ONLY GEARLESS) |
| 4 | 1 | 1434425 | MOTOR LA30.1L-50-24-001 w. PULL BRAKE |
| 6 | 1 | | NYLOC NUT M10 DIN 985 |
| 7 | 2 | | WASHER 10,5 X 21 X 2 DIN 125 |
| 9 | 1 | K32395 | SL-LOCKING WASHER 10 MM |
| 10 | 1 | 1423490 | BOLT M10 X 125 DIN 912 |
| 11 | 1 | 1419941-0003 | SECURING BOLT 44.5 MM |
| 13 | 1 | 5824318 | SCREW M8 X 65 DIN 912 |
| 14 | 1 | 1423440-9005 | ANGLE BRACE |
| - | 1 | 1426296 | SPACER 10,5 X 21 X 12 |
| - | 1 | 1426297 | SPACER 10,5 X 21 X 16 |

Storm 3



Release
 07 / 2004
 Chapter 12
 Sheet 3