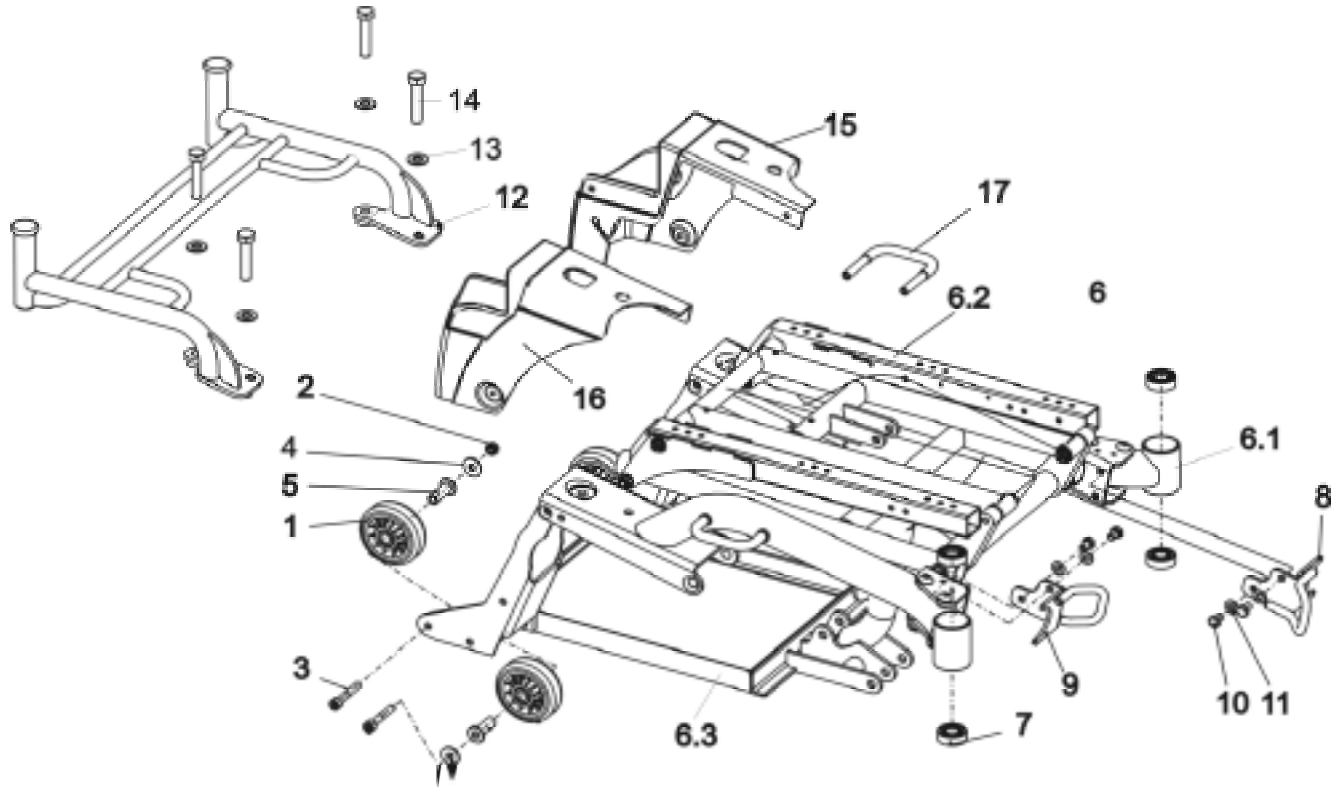


Customer :  
 Customer No. :  
 Phone :

Contact :  
 Commission :  
 Serial No. :



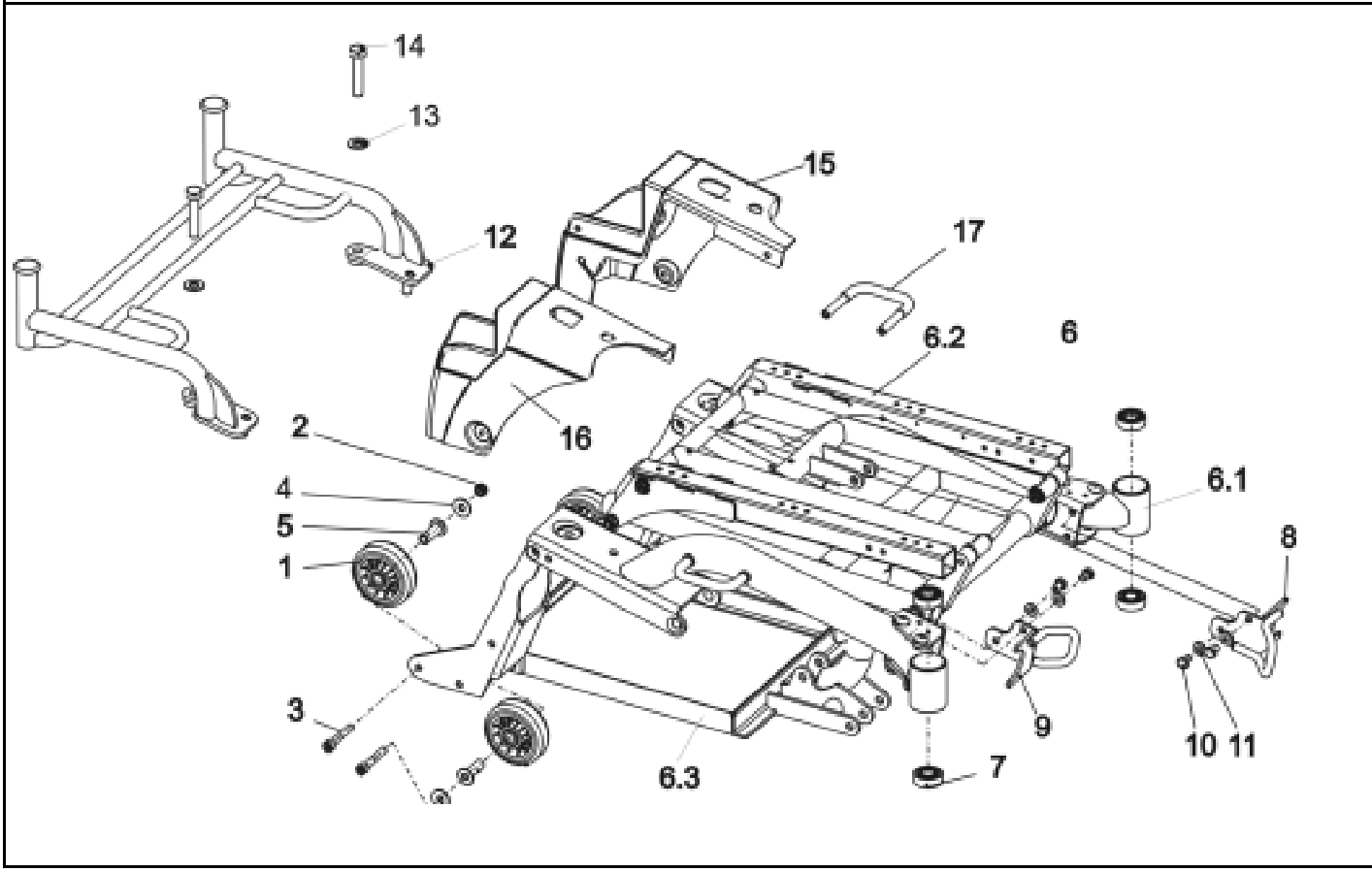
Item	Qty	Part-No.	Part-Designation	
1	4	1418533	ANTI-TIPPER WHEEL, KAMA 80 X 80	
2	4		NYLOC NUT M8	
3	4		SOCKET HEAD CAP SCREW M8 X 50	
4	4		WASHER 8,4 X 25 X 2 DIN 9021	
5	4	1419233-0003	FLANGE SLEEVE	-> 6/02
6	1	1419341	CHASSIS W. LIFTER A. BATTERY BOX, CPL., GREEN	
6	1	1421681	CHASSIS W. LIFTER A. BATTERY BOX, CPL., SILVER	
6	1	1428066	CHASSIS W. LIFTER A. BATTERY BOX, CPL., BLUE	
6.1	1	1417949-1107060	PREASSEMBLED CHASSIS, GREEN	
6.1	1	1417949-9006	PREASSEMBLED CHASSIS, SILVER	
6.1	1	1417949-5002	PREASSEMBLED CHASSIS, BLUE	
6.2	1	1418527	PREASSEMBLED LIFTER UNIT	
6.3	1	1417955-9005	PREASSEMBLED BATTERY FRAME	
7	4	1419254	ANGULAR BALL BEARING 7202B 2RS	
8	1	1422049-9005	FRONT FIXATION LH	
9	1	1422050-9005	FRONT FIXATION RH	
10	4		HEX HEAD SCREW M8 X 12	
11	4		WASHER 8,4 X 17 X 1,6	
-	1	1430114-9005	LUGGAGE CARRIER CPL.	02/03->
-	1	1440694	FIXING KIT LUGGAGE CARRIER CPL.	
13	4		WASHER 10,5 X 21 X 2 DIN 125	
14	4		HEXAGON HEAD CAP SCREW M10 X 35 8.8	
15	1	1419333	REAR LIGHT SUPPORT LH	
15	1	1421815	LIGHT SUPPORT LH WITH LUGGAGE CARRIER CUTOUT	
16	1	1419334	REAR LIGHT SUPPORT RH	

### Storm 3



Customer :  
 Customer No. :  
 Phone :

Contact :  
 Commission :  
**Serial No. :**



<b>Item</b>	<b>Qty</b>	<b>Part-No.</b>	<b>Part-Designation</b>
16	1	1421814	LIGHT SUPPORT RH WITH LUGGAGE CARRIER CUTOUT
17	2	1421650-9005	SIDE FIXATION
-	4	D90187	BUTTONHEAD SOCKET SCREW, M6 X 20
-	4	G00115	WASHER 6,4 X 12,5 X 1,6

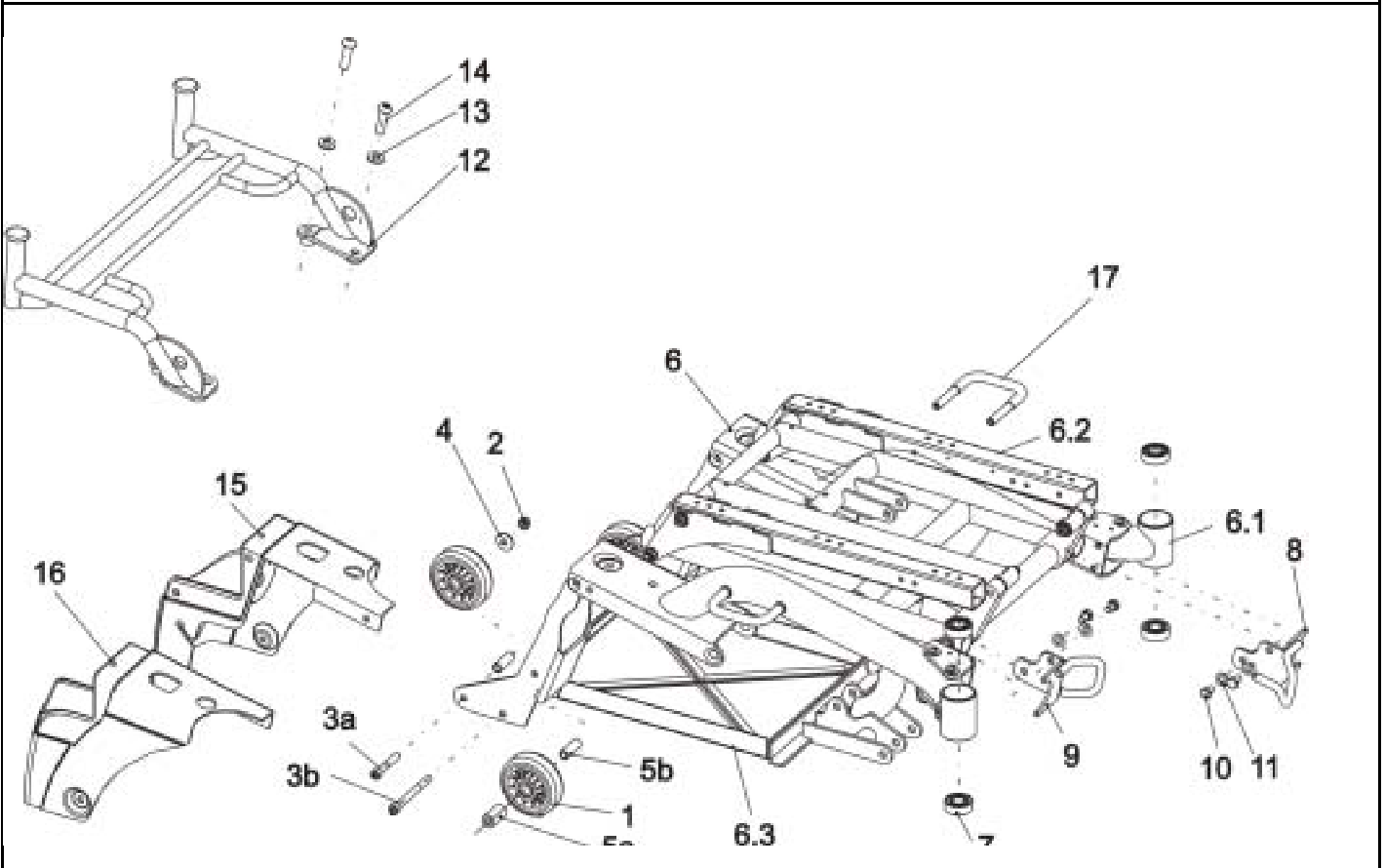
**Storm 3**



Release  
 07 / 2004  
 Chapter 1  
 Sheet 2

Customer :  
 Customer No. :  
 Phone :

Contact :  
 Commission :  
 Serial No. :



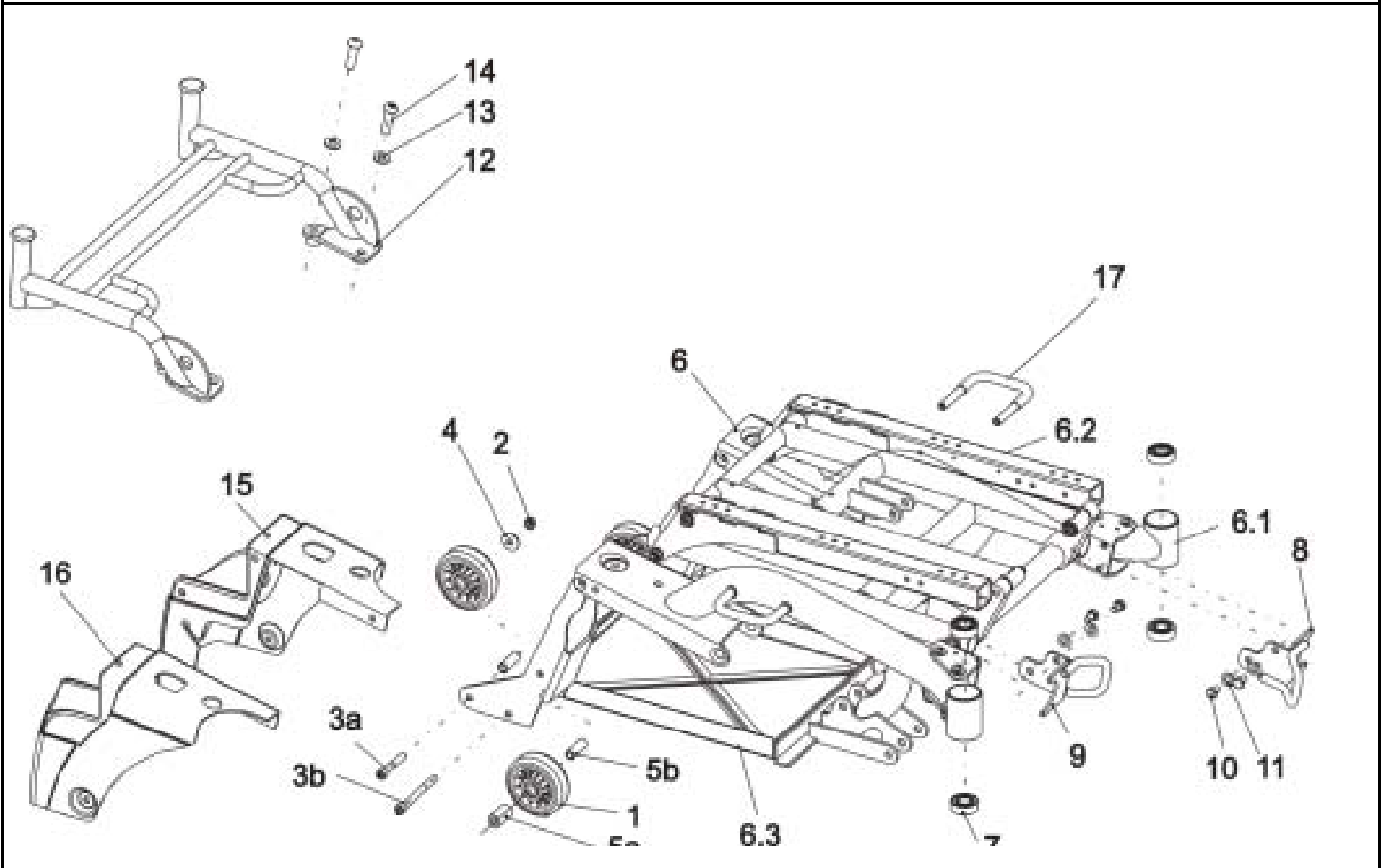
Item	Qty	Part-No.	Part-Designation	
1	4	1418533	ANTI-TIPPER WHEEL, KAMA 80 X 80	
2	4		NYLOC NUT M8	
3a	2		SOCKET HEAD CAP SCREW M8 X 50	
3b	2		SREW M8 X 85 DIN 912	
4	4		WASHER 8,4 X 25 X 2 DIN 9021	
5a	4	1428067-0002	BUSH 18 X 5 X 32	7/02 ->
5b	4	1427057-0002	BUSH 12 X 2 X 35,5	7/02 ->
6	1	1419341	CHASSIS W. LIFTER A. BATTERY BOX, CPL., GREEN	
6	1	1421681	CHASSIS W. LIFTER A. BATTERY BOX, CPL., SILVER	
6	1	1428066	CHASSIS W. LIFTER A. BATTERY BOX, CPL., BLUE	
6.1	1	1417949-1107060	PREASSEMBLED CHASSIS, GREEN	
6.1	1	1417949-9006	PREASSEMBLED CHASSIS, SILVER	
6.1	1	1417949-5002	PREASSEMBLED CHASSIS, BLUE	
6.2	1	1418527	PREASSEMBLED LIFTER UNIT	
6.3	1	1417955-9005	PREASSEMBLED BATTERY FRAME	
7	4	1419254	ANGULAR BALL BEARING 7202B 2RS	
8	1	1422049-9005	FRONT FIXATION LH	
9	1	1422050-9005	FRONT FIXATION RH	
10	4		HEX HEAD SCREW M8 X 12	
11	4		WASHER 8,4 X 17 X 1,6	
-	1	1430114-9005	LUGGAGE CARRIER CPL.	02/03->
-	1	1440694	FIXING KIT LUGGAGE CARRIER CPL.	
13	4		WASHER 10,5 X 21 X 2 DIN 125	
14	4		HEXAGON HEAD CAP SCREW M10 X 35 8.8	
15	1	1419333	REAR LIGHT SUPPORT LH	

### Storm 3



Customer :  
 Customer No. :  
 Phone :

Contact :  
 Commission :  
**Serial No. :**



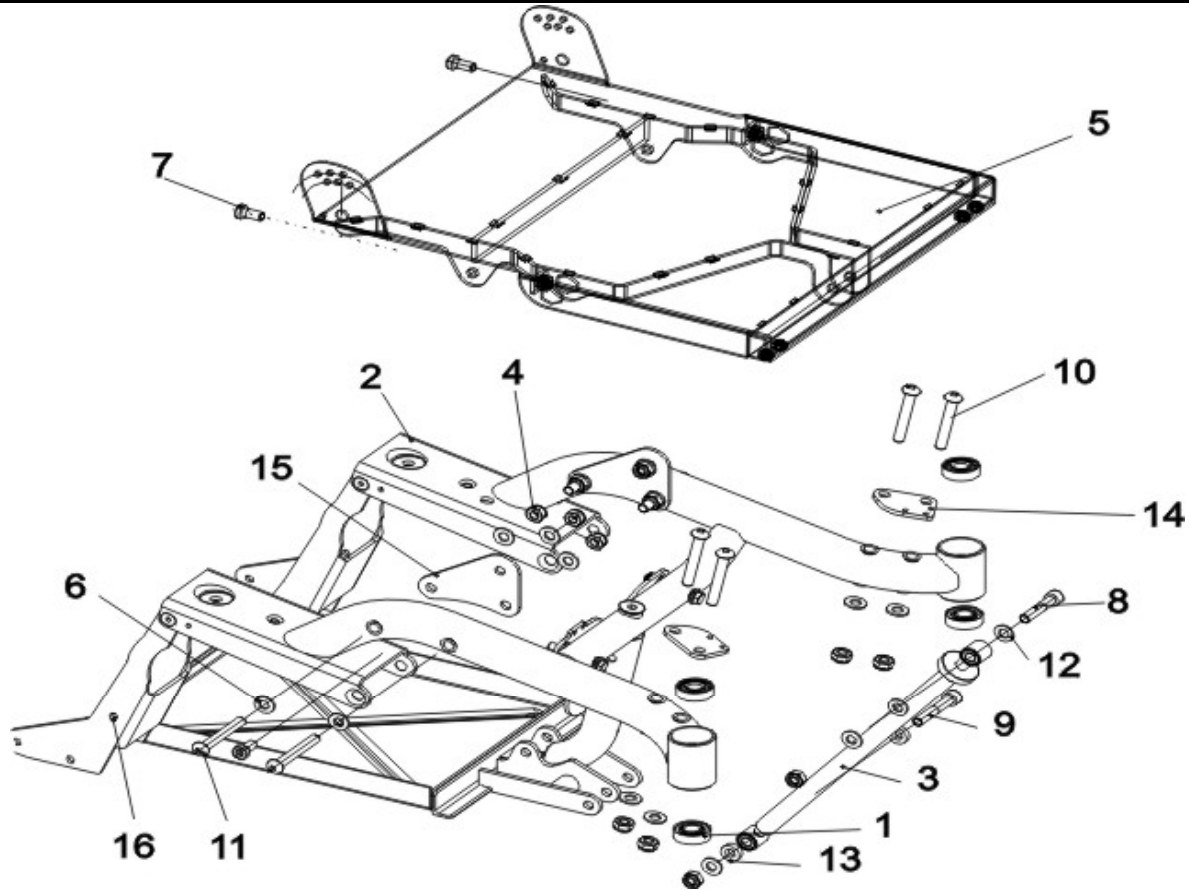
<b>Item</b>	<b>Qty</b>	<b>Part-No.</b>	<b>Part-Designation</b>
15	1	1421815	LIGHT SUPPORT LH WITH LUGGAGE CARRIER CUTOUT
16	1	1419334	REAR LIGHT SUPPORT RH
16	1	1421814	LIGHT SUPPORT RH WITH LUGGAGE CARRIER CUTOUT
17	2	1421650-9005	SIDE FIXATION
-	4	D90187	BUTTONHEAD SOCKET SCREW, M6 X 20
-	4	G00115	WASHER 6,4 X 12,5 X 1,6
-	-		<b>CHASSIS FOR STORM® TRUE TRACK</b>
-	1	1430340	CHASSIS w. LIFTER & BATTERY CASE GREEN CPL.
-	1	1430339	CHASSIS w. LIFTER & BATTERY CASE SILVER CPL.
-	1	1430338	CHASSIS w. LIFTER & BATTERY CASE BLUE CPL.

### Storm 3



Customer :  
 Customer No. :  
 Phone :

Contact :  
 Commission :  
 Serial No. :



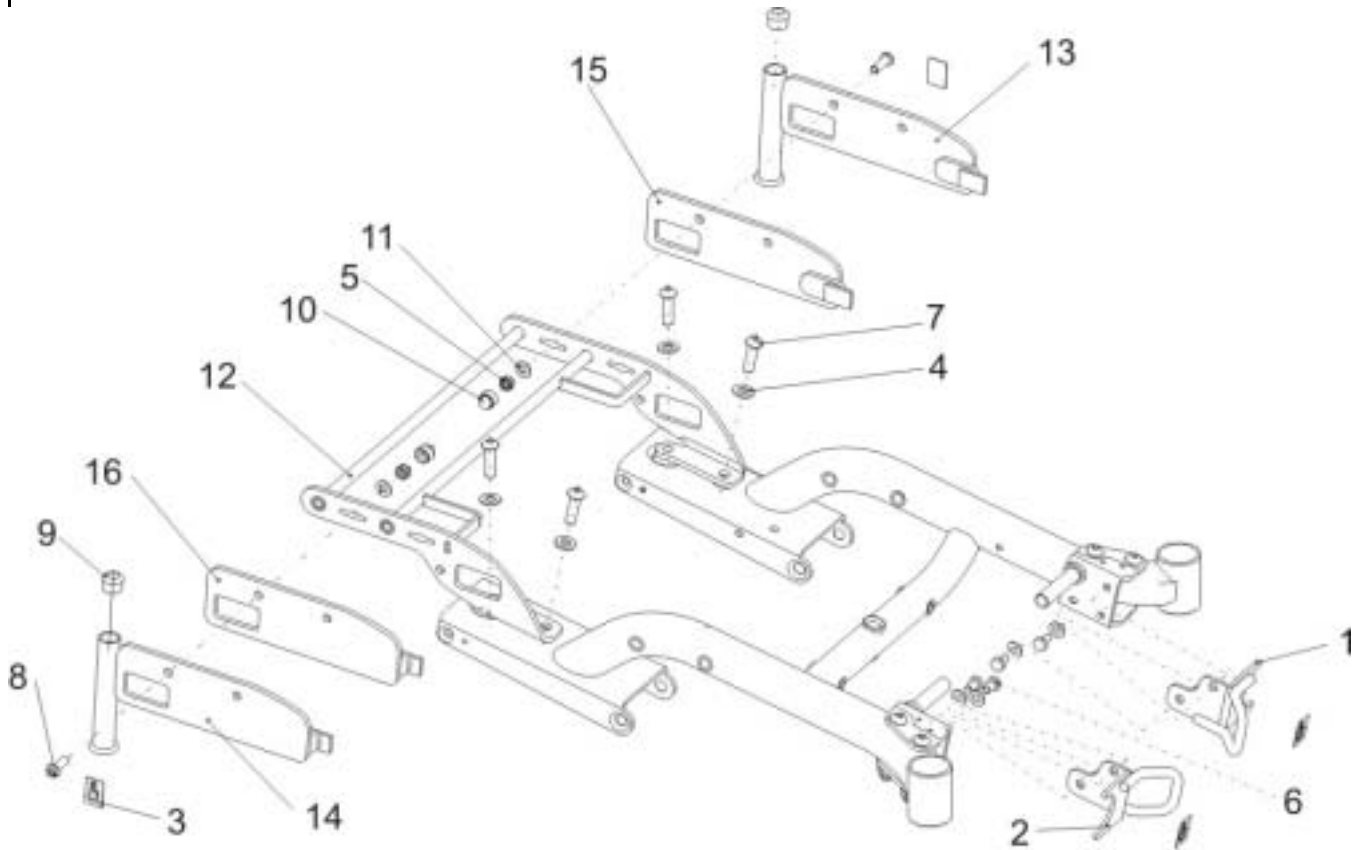
Item	Qty	Part-No.	Part-Designation
-	1	<b>1430125</b>	<b>CHASSIS "EURO" CPL.</b>
1	4	1419254	ANGULAR BALL BEARING 7202B 2RS
2	1	1417949-9006	PREASSEMBLED CHASSIS, SILVER
<b>3</b>	<b>1</b>	<b>1430109</b>	<b>SPINDLE CPL.</b>
3.1	1		SPINDLE LH
3.2	1		SPINDLE RH
3.3	1		SPINDLE HOUSING
3.4	1		KNURLED NUT
3.5	2		BUSH RD. 18 X 3.9 X 22
4	12	F20110	NYLOC NUT M10 DIN 985
5	1	1428501-9005	"EURO" SEAT SHELL
6	16	G00117	WASHER 10,5 X 21 X 2 DIN 125
7	4	5824273	BOLT M10 X 20
8	1	1430302	BOLT M10 X 50 DIN 912
9	1	1430303	BOLT M10 X 60 DIN 912
10	4	1430307	BOLT M10 X 70 DIN 7380
11	4	1419325	BOLT M10 X 75 DIN 7380
12	2	1430304	SPACER 10,5 X 21 X 2
13	2	1430305	SPACER 10,5 X 21 X 6
14	2	1430137-9005	"EURO" LAMPHOLDER
15	2	1428920-9005	SEAT FIXTURE
16	1	1417955-9005	PREASSEMBLED BATTERY FRAME

**Storm 3**



Customer :  
 Customer No. :  
 Phone :

Contact :  
 Commission :  
**Serial No. :**



Item	Qty	Part-No.	Part-Designation
-	-		FOR REBUILDING PLEASE ORDER 1421815 AND 1421814 TOO
-	-		(LIGHT SUPPORT WITH LUGGAGE CARRIER LH/RH)
-	1	<b>SP1421022</b>	<b>LUGGAGE CARRIER CPL.</b> 02/03 ->
-	1		BATTERY COVER WARNING SIGN
12	1		LUGGAGE CARRIER CPL.
-	1	1440694	FIXING KIT LUGGAGE CARRIER CPL.
7	4		BOLT M10 X 35 DIN 7380
4	4		WASHER 10,5 X 21 X 2 DIN 125
-	-		<b>CRASH KIT ONLY FITS LUGGAGE CARRIER SP1421022!</b>
-	-		<b>ORDER IF NOT SUPPLIED!</b>
-	1	<b>SP1430389</b>	<b>CRASH KIT ACCORDING TO ISO 7176-19</b>
1	1	1422049-9005	FRONT FIXATION LH
2	1	1422050-9005	FRONT FIXATION RH
3	4		ISO 7176-19 STICKER RAL 1026
5	4		NYLOC NUT M8
6	4		HEX HEAD SCREW M8 X 12
8	4		SCREW M8 X 25
10	4	L01041	NUT CAP M8
11	8		WASHER 8,4 X 17 X 1,6
15	1	1430389-9005	FIXING PLATE FOR ISO CRASH KIT LH
16	1	1430388-9005	FIXING PLATE FOR ISO CRASH KIT RH

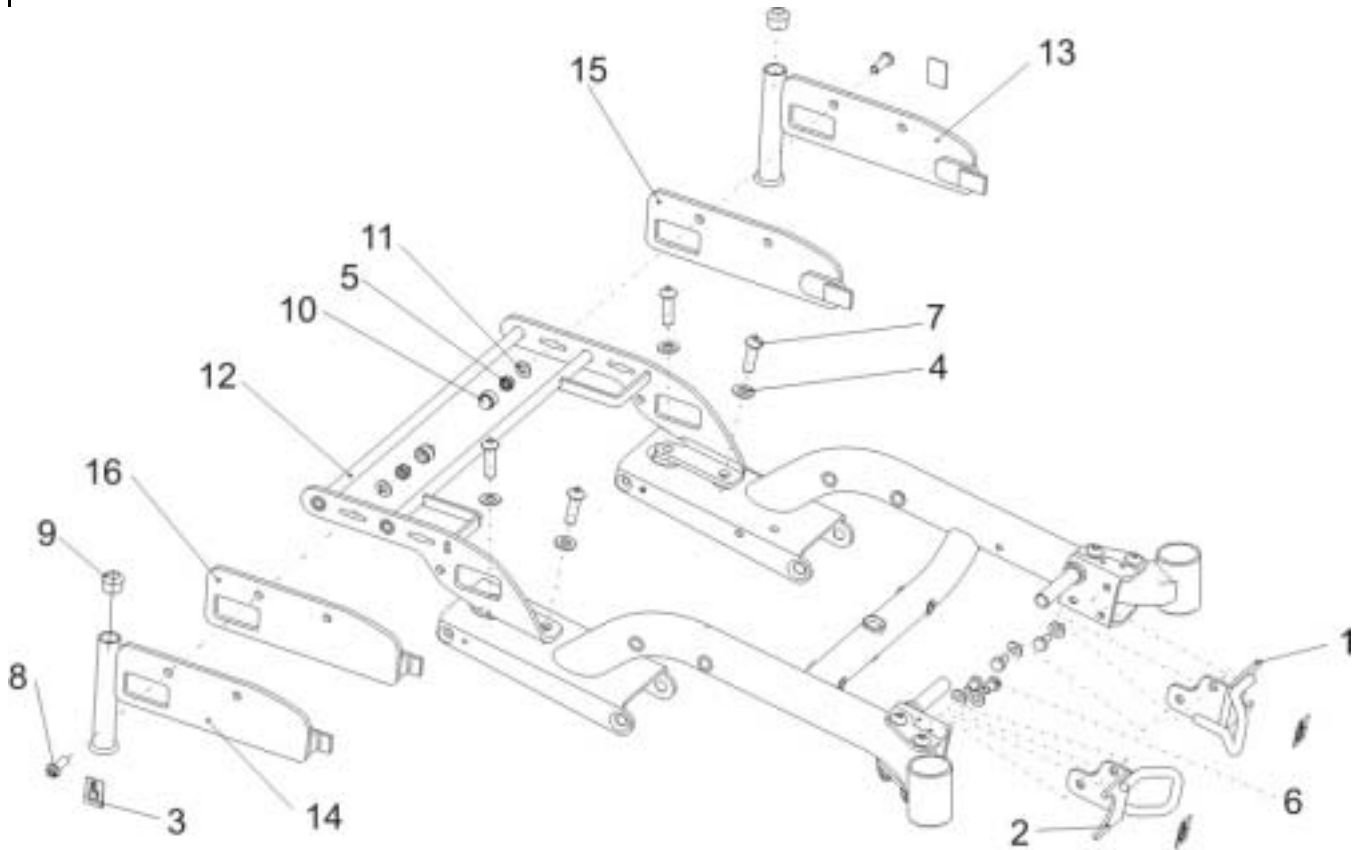
### Storm 3



Release  
 07 / 2004  
 Chapter 1  
 Sheet 6

Customer :  
 Customer No. :  
 Phone :

Contact :  
 Commission :  
 Serial No. :



Item	Qty	Part-No.	Part-Designation
-	-		<b>CRASH KIT ONLY FITS LUGGAGE CARRIER SP1421022!</b>
-	-		<b>ORDER IF NOT SUPPLIED!</b>
-	1	<b>SP1430391</b>	<b>CRASH KIT/TAXI STRAP FOR NL</b>
1	1	1422049-9005	FRONT FIXATION LH
2	1	1422050-9005	FRONT FIXATION RH
3	4		ISO 7176-19 STICKER RAL 1026
5	4		SCREW M8 X 25
6	4		HEX HEAD SCREW M8 X 12
8	2		SCREW M8 X 25
9	2	L01008	TUBE END PLUG SL 22
10	4	L01041	NUT CAP M8
11	8		WASHER 8,4 X 17 X 1,6
13	1	1430391-9005	FIXING PLATE FOR HOLLAND CRASH KIT LH
14	1	1430392-9005	FIXING PLATE FOR HOLLAND CRASH KIT RH

**Storm 3**



Release  
 07 / 2004  
 Chapter 1  
 Sheet 7