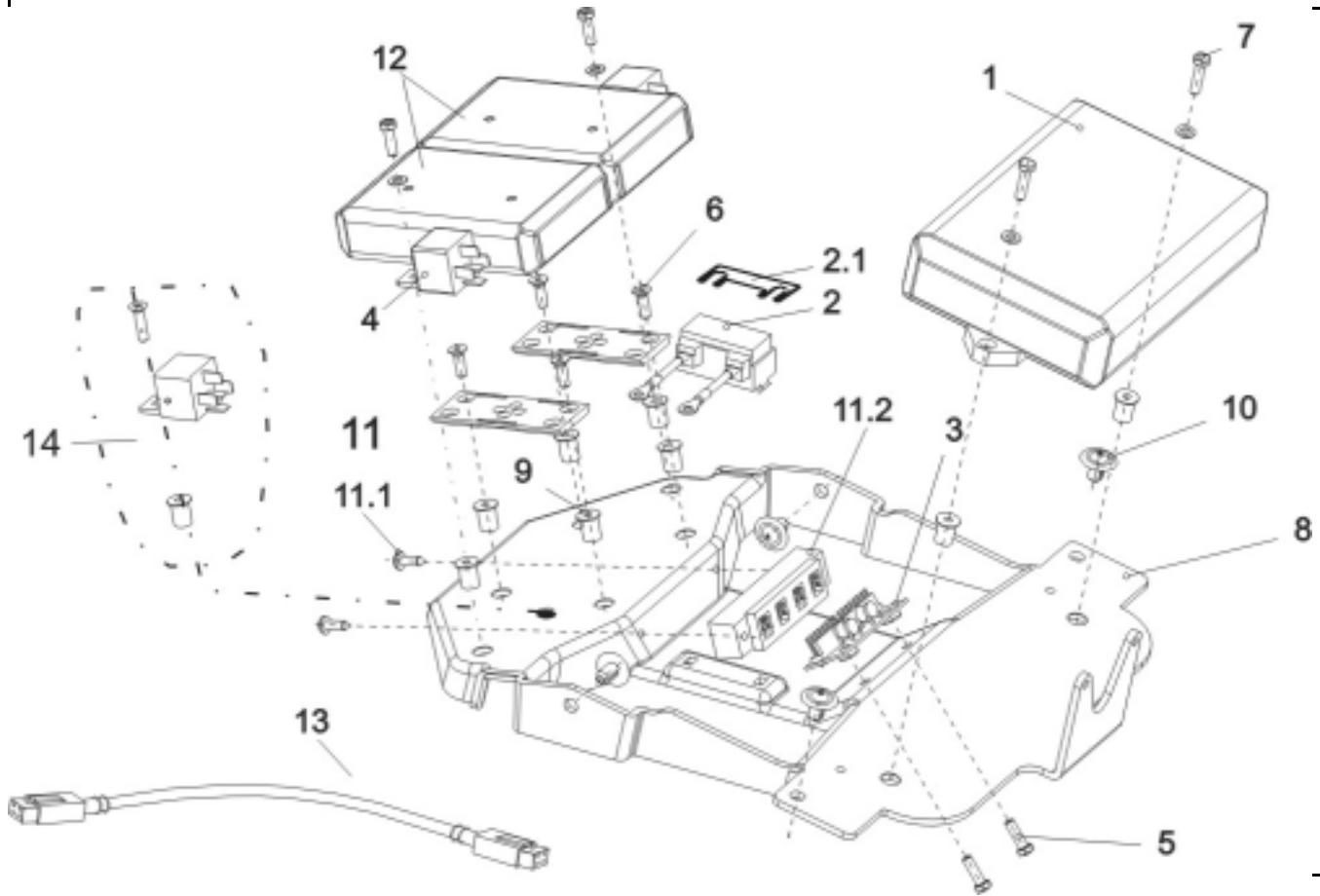


Customer :
 Customer No. :
 Phone :

Contact :
 Commission :
 Serial No. :



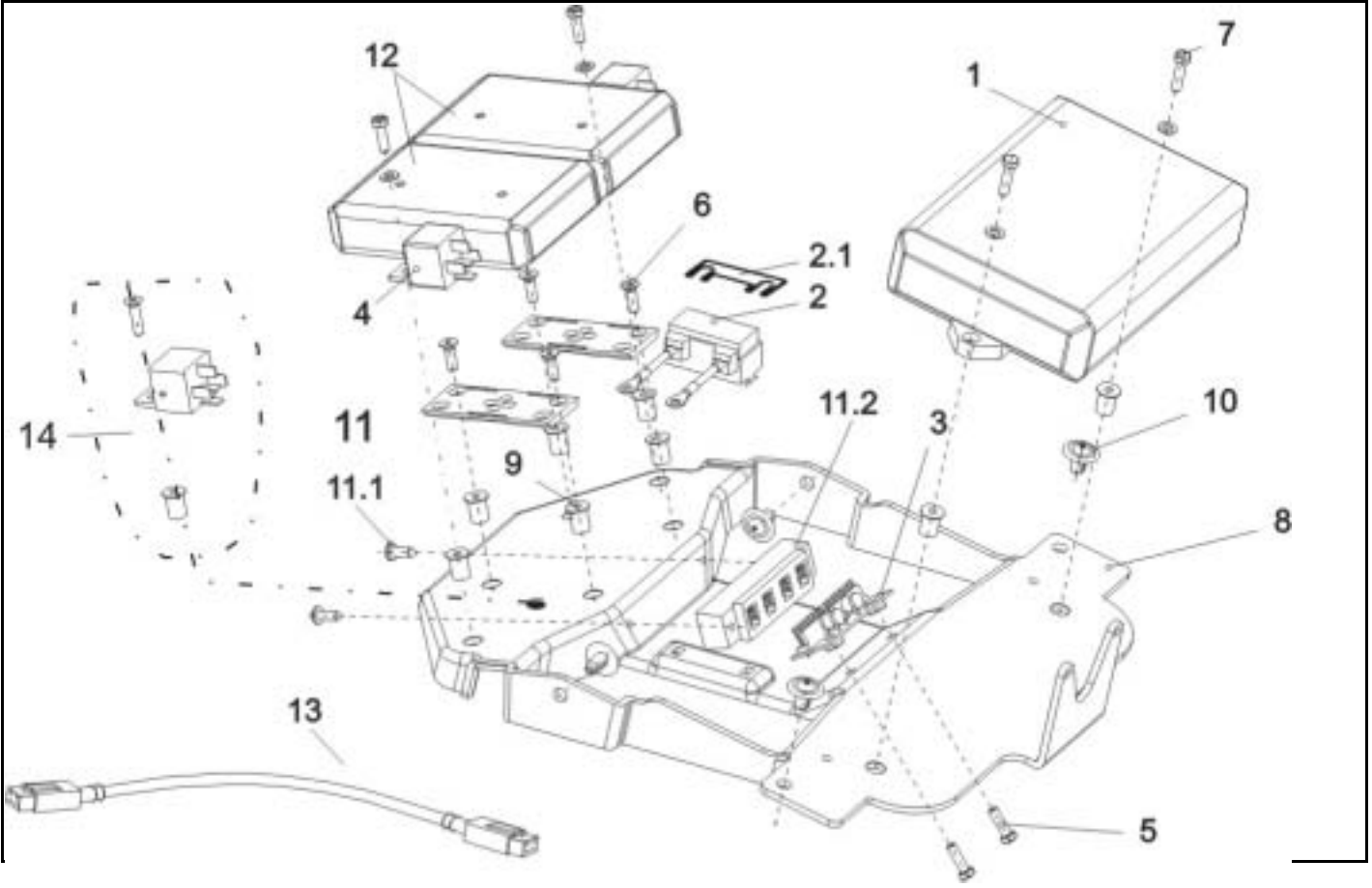
Item	Qty	Part-No.	Part-Designation	
-	1		ACS ELECTRONIC HOLDER CPL.	->03/03
1	1	6001423	ACS ELECTRONIC MODULE DX-PMB AS (60A)	
1	1	P10064	ACS POWER MODULE DX-PM2 (80A)	
2	1	1419369	STRIP FUSE CPL.	
2.1	1	P12191	FUSE 50 A	
3	1	1415004	CENTRAL LIGHT DISTRIBUTOR MAINBOARD	
4	2	P11195	RELAY SWITCH 24V/10-20A	
5	4		HEX HEAD SCREW M5 X 16	
6	4		COUNTERSUNK SOCKET HEAD SCREW M5 X 16	
7	2		HEX HEAD SCREW M5 X 20	
8	1		DEVICE SUPPORT	
-	1	SP1423191	ACS ELECTRONIC HOLDER ASSEMBLY KIT	->03/03
9	8		GETO WELL NUT M5	
10	4		RIVET	
11	1	SP1422053	ACS DISTRIBUTOR	->03/03
11.1	2		SELF-TAPPING CROSS HEAD SCREW 4,8 X 16	
11.2	1	P10072	ACS-BUS T-ADAPTER (SPLITTER)	
12	1	6001825	ACS-LIGHTING MODULE 24 V STD.	
12	1	P10080	ACS-LIGHTING MODULE 12V (TÜV)	
12	1	P10081	ACS-CLAM (LIGHTING/ACTUATOR MODULE COMBINED)	
13	1	GSM63003	ACS BUS CABLE L=300 MM	
-	1	1419370	BATTERY CABLE	
-	1	1419390	CABLE HARNESS CLAM; ACTUATORS; LIGHT	
-	1	1421728	CABLE HARNESS CLAM; LIGHT; LIFTER, LEG RESTS, SEAT ANGL...	
-	1	1421729	CABLE HARNESS CLAM; LIGHT; ELECT. ADJUSTMENTS	

Storm 3



Customer :
 Customer No. :
 Phone :

Contact :
 Commission :
 Serial No. :



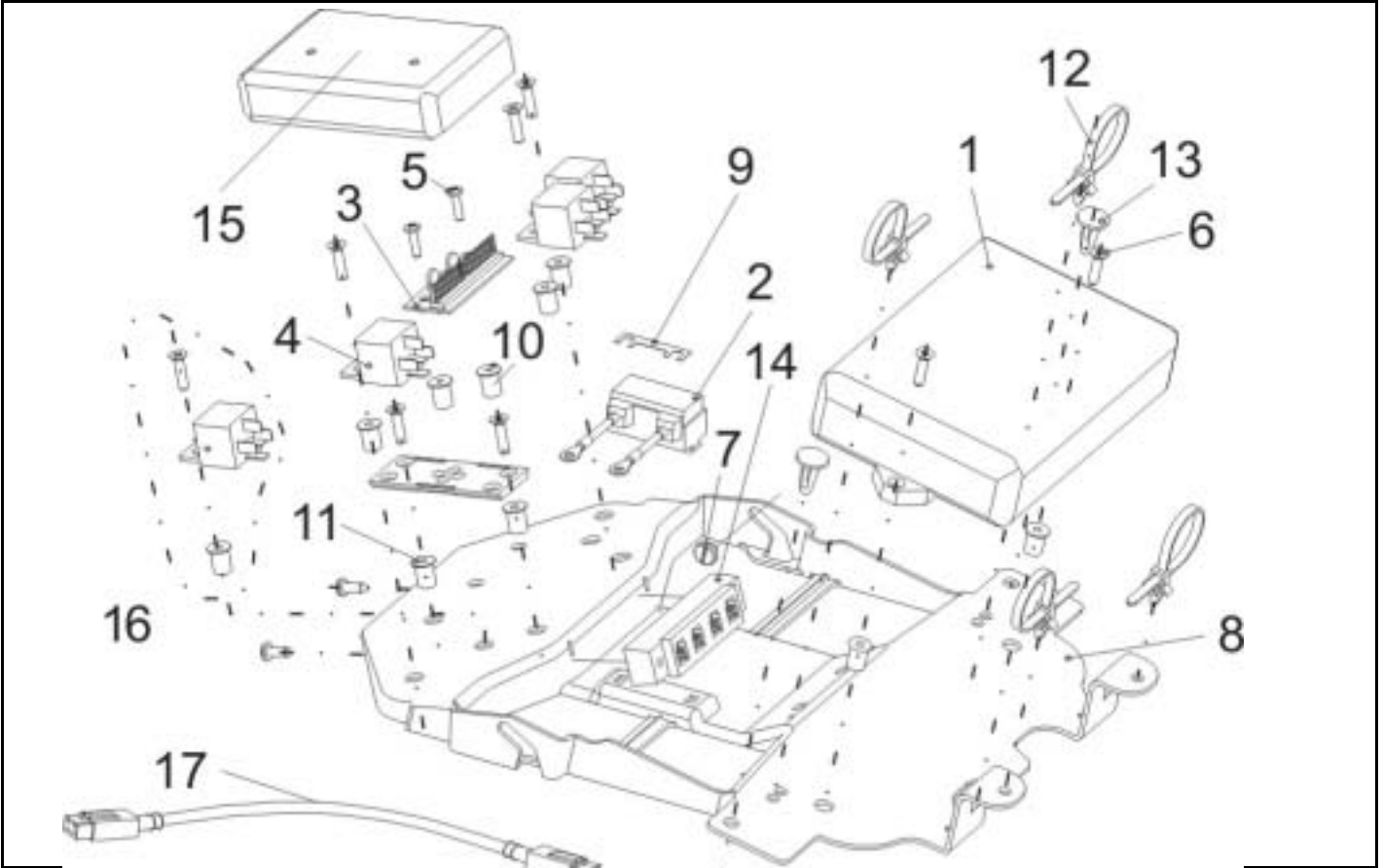
Item	Qty	Part-No.	Part-Designation
-	1	1421730	CABLE HARNESS CLAM; LIGHT; LEG RESTS, SEAT ANGLE ADJUST...
-	1	1419379	CABLE HARNESS 24V LIGHT
14	1	1431755	UPGRADE KIT SEAT ANGLE STABILISOR
	1		GETO WELL NUT M5
	1		CABLE HARNESS FOR TILT SET
	1		COUNTERSUNK CROSS HEAD SCREW M5 X 20
	1		RELAY SWITCH 24V/10-20A

Storm 3



Customer :
 Customer No. :
 Phone :

Contact :
 Commission :
 Serial No. :



Item	Qty	Part-No.	Part-Designation	
-	1		ACS ELECTRONIC HOLDER CPL.	04/03->
1	1	6001423	ACS ELECTRONIC MODULE DX-PMB AS (60A)	
1	1	P10064	ACS POWER MODULE DX-PM2 (80A)	
2	1	1419369	STRIP FUSE CPL.	
3	1	1415004	CENTRAL LIGHT DISTRIBUTOR MAINBOARD	
4	3	P11195	RELAY SWITCH 24V/10-20A	
7	2		BOLT M6x4 DIN923 BLACK GALVANISED	
8	1	1418528	DEVICE SUPPORT	
9	1	P12191	FUSE 50 A	
14	1	SP1422053	ACS DISTRIBUTOR	
-	1	1440533	ACS ELECTRONIC HOLDER ASSEMBLY KIT	04/03->
5	2		CROSS HEAD SCREW M4 X 16	
6	2		COUNTERSUNK CROSS HEAD SCREW M5 X 20	
10	2	1432557	GETO WELL NUT M4	
11	7	1422052	GETO WELL NUT M5	
12	4		CABLE BINDER 5,0x225 SCHWARZ	
13	2	1426351	NYLON MOULDED CRAMP	
-	5		COUNTERSUNK CROSS HEAD SCREW M5 X 16	

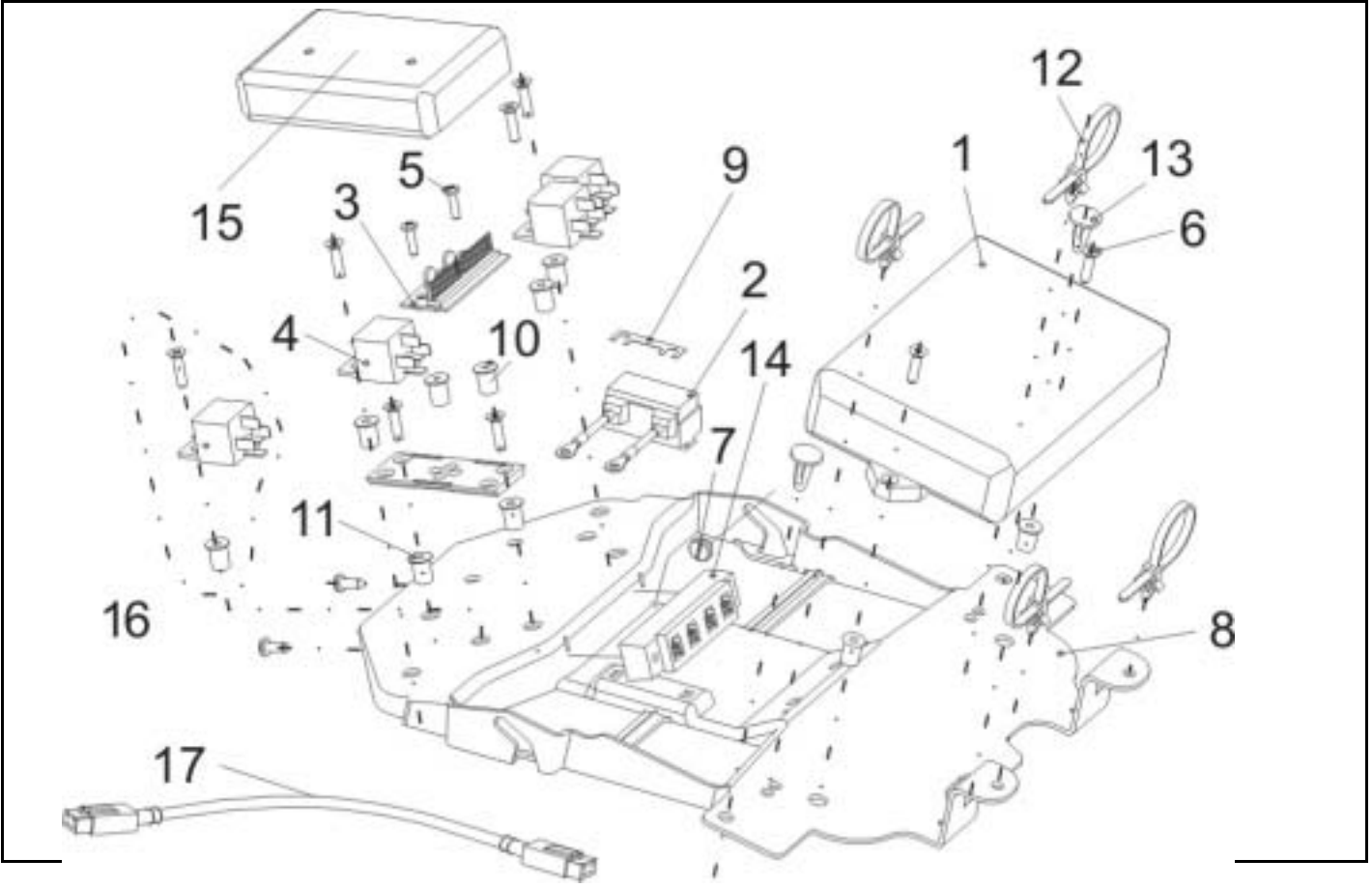
Storm 3



Release
 07 / 2004
 Chapter 7
 Sheet 3

Customer :
 Customer No. :
 Phone :

Contact :
 Commission :
 Serial No. :



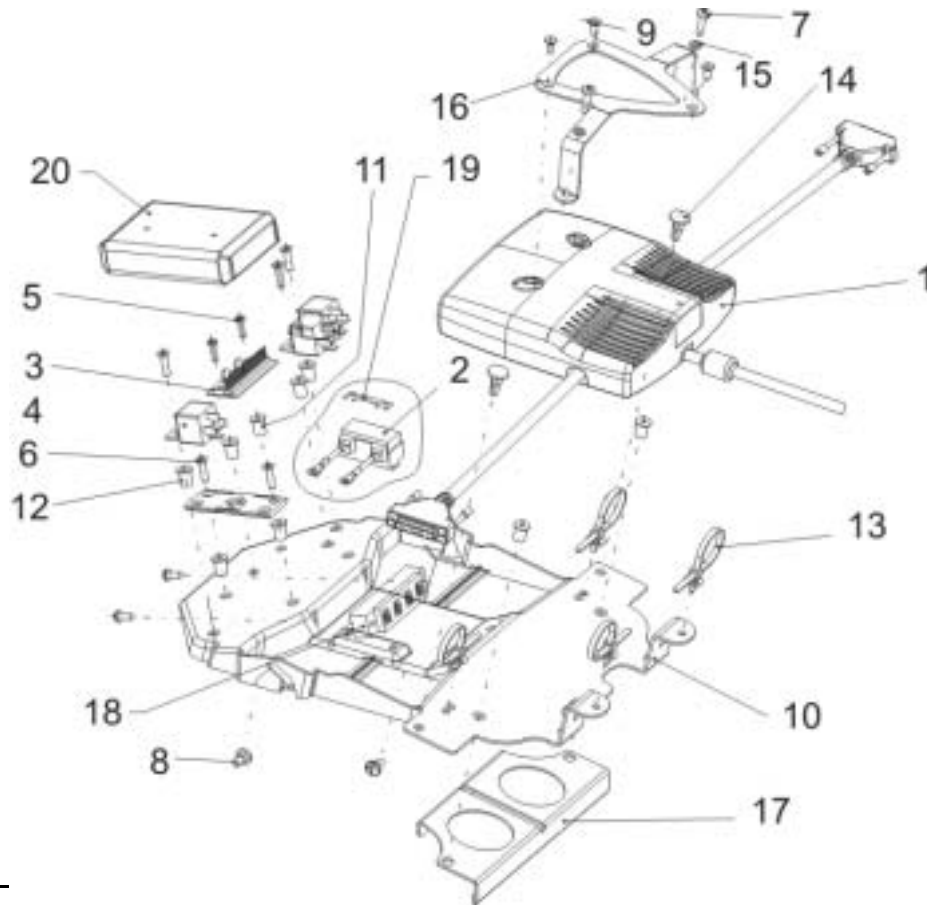
Item	Qty	Part-No.	Part-Designation
15	1	6001825	ACS-LIGHTING MODULE 24 V STD.
15	1	P10081	ACS-CLAM (LIGHTING/ACTUATOR MODULE COMBINED)
16	1	1431755	UPGRADE KIT SEAT ANGLE STABILISOR
			GETO WELL NUT M5
			CABLE HARNESS FOR TILT SET
			COUNTERSUNK CROSS HEAD SCREW M5 X 20
17	1	GSM63003	ACS BUS CABLE L=300 MM
		1419370	BATTERY CABLE
		1419390	CABLE HARNESS CLAM; ACTUATORS; LIGHT
		1421728	CABLE HARNESS CLAM; LIGHT; LIFTER, LEG RESTS, SEAT ANGL...
		1421729	CABLE HARNESS CLAM; LIGHT; ELECT. ADJUSTMENTS
		1421730	CABLE HARNESS CLAM; LIGHT; LEG RESTS, SEAT ANGLE ADJUST...
-	1	1419379	CABLE HARNESS 24V LIGHT

Storm 3



Customer :
 Customer No. :
 Phone :

Contact :
 Commission :
 Serial No. :



Item	Qty	Part-No.	Part-Designation
-	-		ONLY FOR STORM³ TRUE TRACK
-	1		ELECTRONICS HOLDER F. STORM³ TRUE TRACK CPL.
1	1	1430150	ACS POWER MODUL DX-GB 100A
2	1	1432561	STRIP FUSE HOLDER M. 80 A FUSE
3	1	1415004	CENTRAL LIGHT DISTRIBUTOR MAINBOARD
4	3	P11195	RELAY SWITCH 24V/10-20A
5	2		CROSS HEAD SCREW M4 X 16
6	5		COUNTERSUNK CROSS HEAD SCREW M5 X 20
7	2		CROSS HEAD SCREW M5 X 20
8	2		BOLT M6x4 DIN923 BLACK GALVANISED
9	3		COUNTERSUNK SCREW M5 X 12
10	1	1418528	DEVICE SUPPORT
11	2	1432557	GETO WELL NUT M4
12	7	1422052	GETO WELL NUT M5
13	4	1422888	CABLE BINDER 5,0x225 SCHWARZ
14	2	1426351	NYLON MOULDED CRAMP
15	2		WASHER 5,3 X 10 X 1
16	1		FIXING FOR POWER MODULE
17	1		STABILISOR
18	1		ACS DISTRIBUTOR
19	1	1433734	STRIP FUSE 80A (ONLY TRUE TRACK!)
20	1	P10081	ACS-CLAM (LIGHTING/ACTUATOR MODULE COMBINED)
-	1	1432560	BATTERY CABLE 70AH (f. GEARLESS MOTORS)

Storm 3



Release
 07 / 2004
 Chapter 7
 Sheet 5