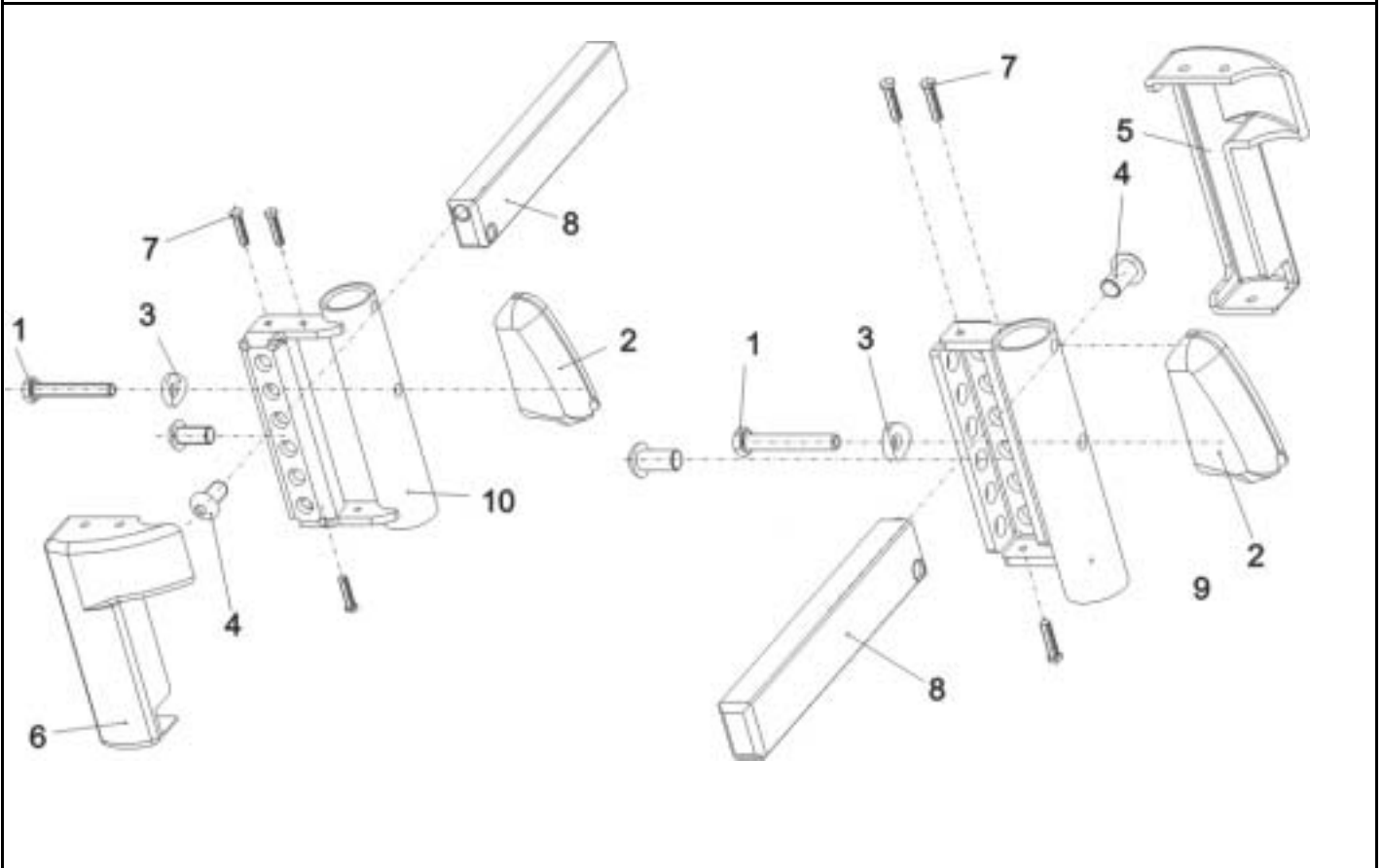


Customer :
 Customer No. :
 Phone :

Contact :
 Commission :
 Serial No. :



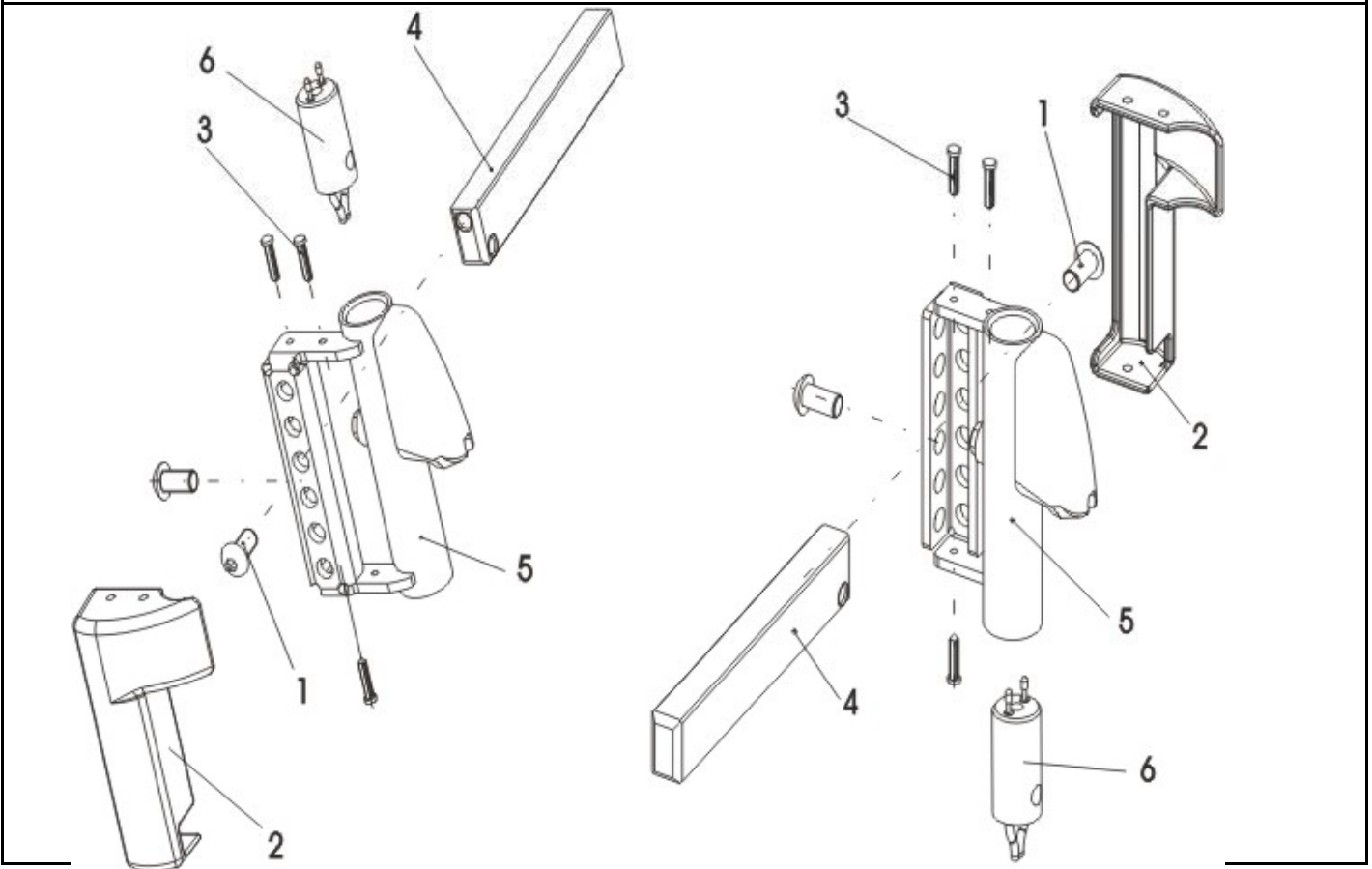
Item	Qty	Part-No.	Part-Designation
-	1	SP1417917	LEG SUPPORT CARRIER LH MG HS SEAT FRAMES
-	1	SP1417918	LEG SUPPORT CARRIER RH MG HS SEAT FRAMES
1	2		SCREW M6 X 40, DIN 933
4	2		COUNTERSUNK SCREW W. ALLEN KEY M8*16 10.9
5	1	1419716	CASING LH
6	1	1419717	CASING LH
7	3		CLIP 3,0 MM
8	1		INSERT
9	1		LEGREST RECEPTACLE LH
10	1		LEGREST RECEPTACLE RH
-	1	SP1423192	LEGREST ADAPTER ASSEMBLY KIT
1	1		SCREW M6 X 40, DIN 933
2	1		FRAME ADAPTER (ALU)
3	1		SPACER
-	1		NORD-LOCK WASHER 6 MM

Storm 3



Customer :
 Customer No. :
 Phone :

Contact :
 Commission :
Serial No. :



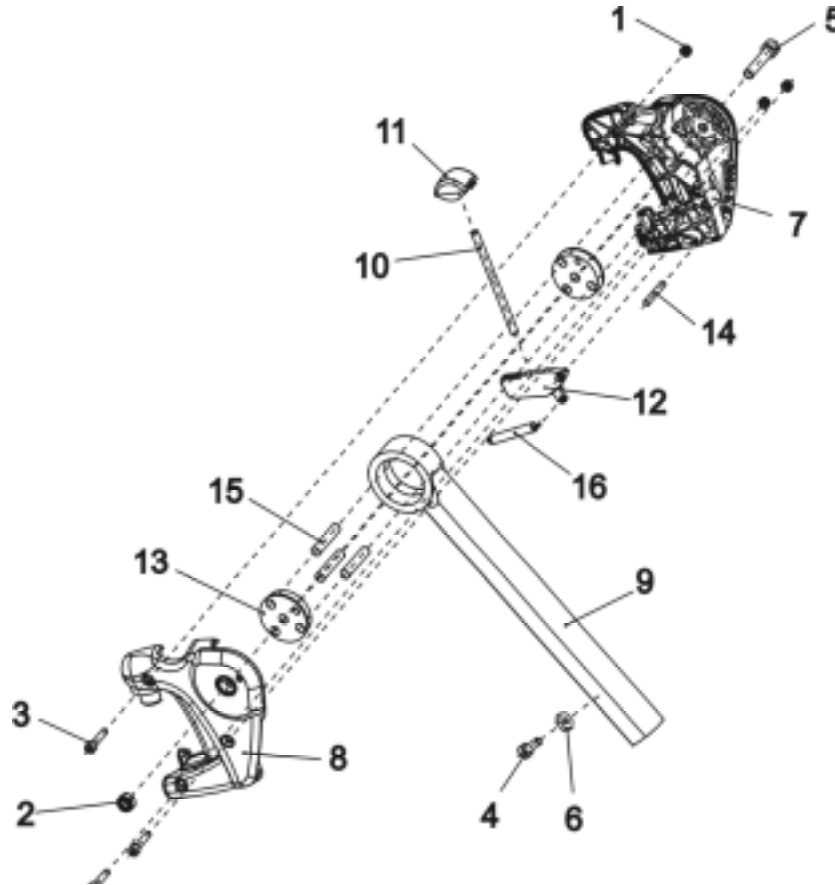
Item	Qty	Part-No.	Part-Designation
-	1	SP1422825	FOOTREST SUPPORT LH F. ELECTRIC LEGREST
-	1	SP1422826	FOOTREST SUPPORT RH F. ELECTRIC LEGREST
1	2		COUNTERSUNK SCREW W. ALLEN KEY M8*16 10.9
2	1		CASING LH
2	1		CASING LH
3	3		CLIP 3,0 MM
4	1		INSERT
5	1	1417920-0303	LEGREST RECEPTACLE LH
5	1	1422056-0303	LEGREST RECEPTACLE RH
6	1	1415097	LEGREST CONTACT W. CABLE 700 MM

Storm 3



Customer :
 Customer No. :
 Phone :

Contact :
 Commission :
 Serial No. :



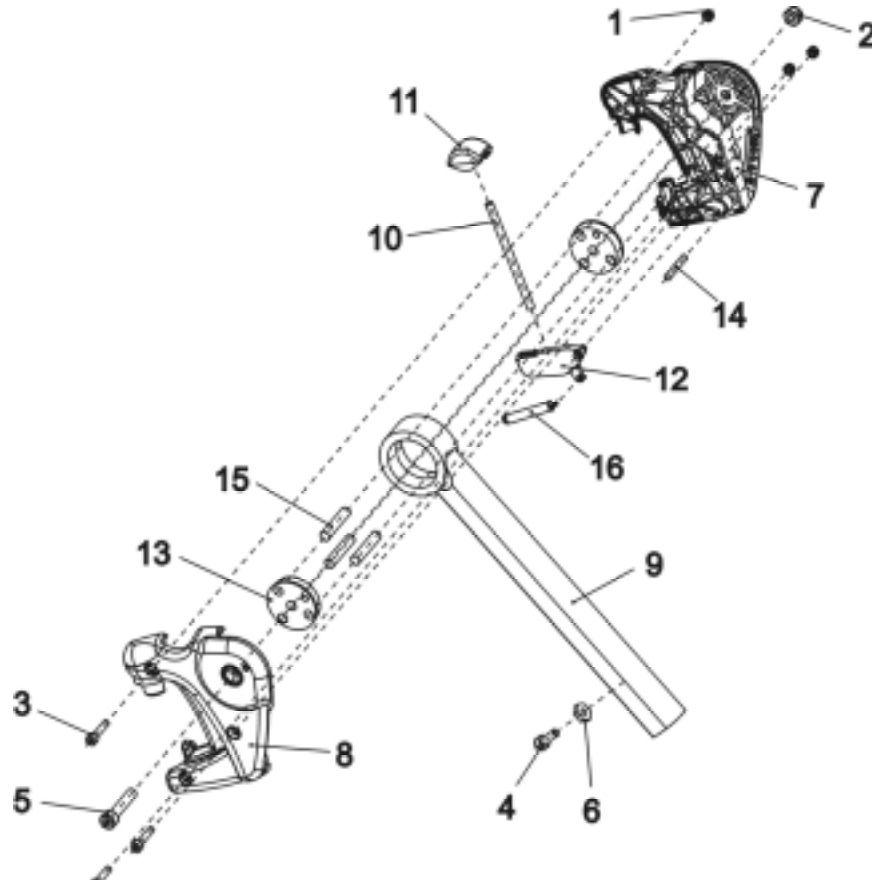
Item	Qty	Part-No.	Part-Designation
-	1	SP1422563	UPPER FOOTREST RH (90°-65°) CPL.
1	3		NYLOC NUT M5
2	1		NYLOC NUT M8
3	3		SOCKET HEAD CAP SCREW M5 X 25
4	1		SOCKET HEAD CAP SCREW M6 X 20
5	1		SOCKET HEAD CAP SCREW M8 X 40
6	1	Z173189.99	NUT M6 SW-14
7	1	Z173181	HANGER LH
8	1	Z173182	HANGER RH
9	1		UPPER FOOTREST RH (90-65°)
-	1	SP1423193	RELEASE UNIT ASSEMBLY KIT
10	1		PUSH ROD
11	1		RELEASE KNOB
12	1		LOCK LEVER
13	2		CONED WASHER
14	1		DOWEL RD. 5 X 32; DIN-7
15	3		DOWEL RD. 8 X 40; DIN-7
16	1		SPRING

Storm 3



Customer :
 Customer No. :
 Phone :

Contact :
 Commission :
 Serial No. :



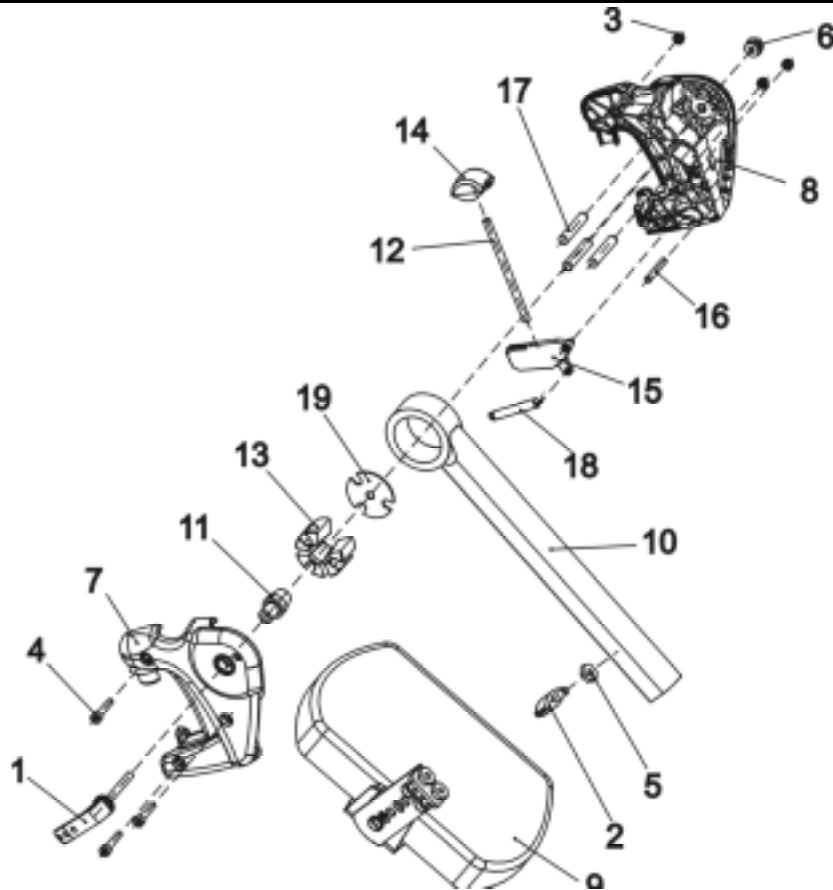
Item	Qty	Part-No.	Part-Designation
-	1	SP1422564	UPPER FOOTREST LH (90°-65°) CPL..
1	3		NYLOC NUT M5
2	1		NYLOC NUT M8
3	3		SOCKET HEAD CAP SCREW M5 X 25
4	1		SOCKET HEAD CAP SCREW M6 X 20
5	1		SOCKET HEAD CAP SCREW M8 X 40
6	1	Z173189.99	NUT M6 SW-14
7	1	Z173181	HANGER LH
8	1	Z173182	HANGER RH
9	1		UPPER FOOTREST RH (90-65°)
-	1	SP1423193	RELEASE UNIT ASSEMBLY KIT
10	1		PUSH ROD
11	1		RELEASE KNOB
12	1		LOCK LEVER
13	2		CONED WASHER
14	1		DOWEL RD. 5 X 32; DIN-7
15	3		DOWEL RD. 8 X 40; DIN-7
16	1		SPRING

Storm 3



Customer :
 Customer No. :
 Phone :

Contact :
 Commission :
 Serial No. :



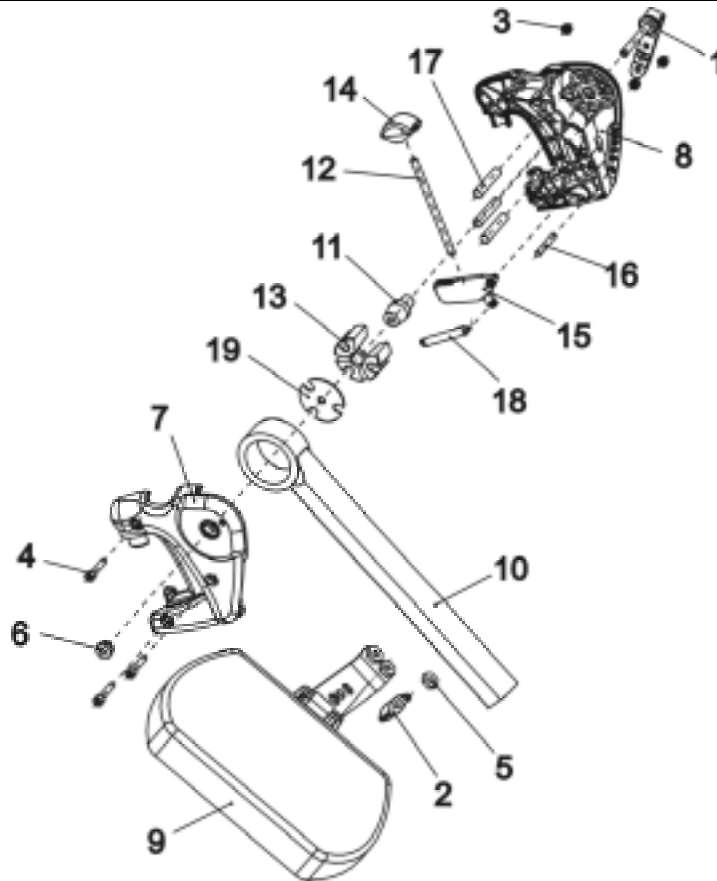
Item	Qty	Part-No.	Part-Designation
-	1	SP1422566	UPPER FOOTREST RH, MANUAL HEIGHT ADJUSTMENT CPL.
1	1	L32906	CLAMPING LEVER M6
-	2		WASHER 6,4 X 12,5 X 1,6
2	1	D50049	SOCKET HEAD CAP SCREW M6 X 20
3	3		NYLOC NUT M5
4	3		SOCKET HEAD CAP SCREW M5 X 25
5	1	Z173189.99	NUT M6 SW-14
6	1	Z174131.89	NUT M6 SW-13
7	1	Z173194	HANGER RH
8	1	Z173181	HANGER LH
9	1	SPZ174163	CALF SUPPORT (VARI A) CPL.
10	1		UPPER FOOTREST RH, MANUAL HEIGHT ADJUSTMENT
-	1	SP1423194	RELEASE UNIT ASSEMBLY KIT F. LEGREST W. MAN. HEIGHT ADJ...
11	1		CONE
12	1		PUSH ROD
13	3		CLAMP BLOCK
14	1		RELEASE KNOB
15	1		LOCK LEVER
16	1		DOWEL RD. 5 X 32; DIN-7
17	3		DOWEL RD. 8 X 40; DIN-7
18	1		SPRING
19	1		LOCATING WASHER

Storm 3



Customer :
 Customer No. :
 Phone :

Contact :
 Commission :
 Serial No. :



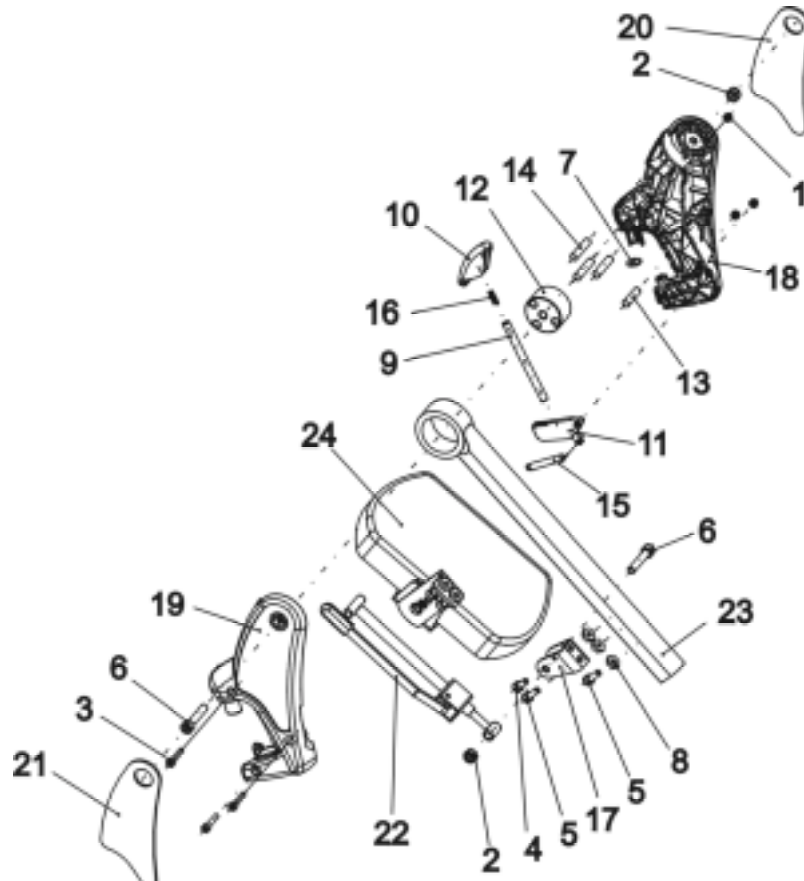
Item	Qty	Part-No.	Part-Designation
-	1	SP1422565	UPPER FOOTREST LH, MANUAL HEIGHT ADJUSTMENT, CPL.
1	1	L32906	CLAMPING LEVER M6
-	2		WASHER 6,4 X 12,5 X 1,6
2	1		SOCKET HEAD CAP SCREW M6 X 20
3	3		NYLOC NUT M5
4	3		SOCKET HEAD CAP SCREW M5 X 25
5	1	Z173189.99	NUT M6 SW-14
6	1	Z174131.89	NUT M6 SW-13
7	1	Z173182	HANGER RH
8	1	Z173193	HANGER LH
9	1	SPZ174163	CALF SUPPORT (VARI A) CPL.
10	1		UPPER FOOTREST RH, MANUAL HEIGHT ADJUSTMENT
-	1	SP1423194	RELEASE UNIT ASSEMBLY KIT F. LEGREST W. MAN. HEIGHT ADJ...
11	1		CONE
12	1		PUSH ROD
13	3		CLAMP BLOCK
14	1		RELEASE KNOB
15	1		LOCK LEVER
16	1		DOWEL RD. 5 X 32; DIN-7
17	3		DOWEL RD. 8 X 40; DIN-7
18	1		SPRING
19	1		LOCATING WASHER

Storm 3



Customer :
 Customer No. :
 Phone :

Contact :
 Commission :
 Serial No. :



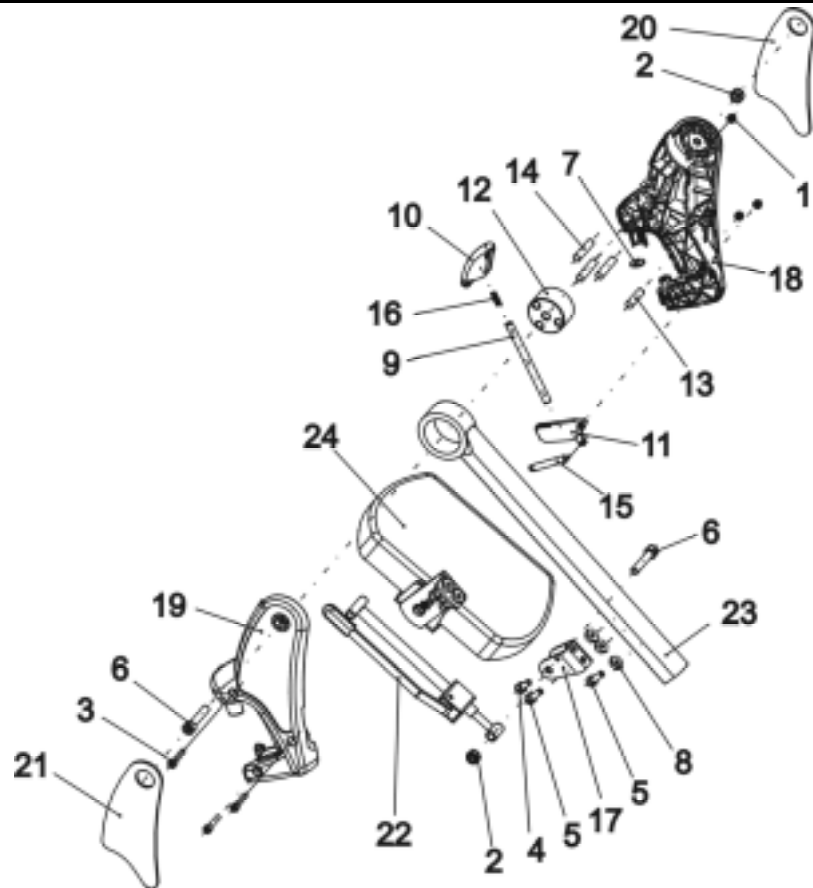
Item	Qty	Part-No.	Part-Designation
-	1	SP1422567	UPPER FOOTREST T RH 80°, MANUAL HEIGHT ADJUSTMENT CPL.
1	3		NYLOC NUT M5
2	2		NYLOC NUT M8
3	3		SOCKET HEAD CAP SCREW M5 X 25
4	1		SOCKET HEAD CAP SCREW M6 X 12
5	2		SOCKET HEAD CAP SCREW M6 X 20
6	2		SOCKET HEAD CAP SCREW M8 X 40
7	1	Z174139	ADP-PLATE
8	3	Z173189.99	NUT M6 SW-14
-	1	SP1423195	RELEASE UNIT ASSEMBLY KIT F. LEGREST 80° W. MAN. HEIGHT...
9	1		PUSH ROD
10	1		RELEASE LEVER (AD)
11	1		LOCK LEVER
12	1		SLIDING BUSH
13	1		DOWEL RD. 8 X 30, DIN-7
14	3		DOWEL RD. 8 X 36, DIN-7
15	1		SPRING
16	1		COMPRESSION SPRING
17	1		ACTUATOR MOUNT
18	1	Z174111	HANGER (AD) LH
19	1	Z174110	HANGER (AD) RH
20	1	1435024	KNEE PAD ADM (PAIR LH/RH)
22	1	SPZ174130	ADM ADJUSTMENT MECHANISM CPL.
23	1		UPPER FOOTREST T RH 80°, MANUAL HEIGHT ADJUSTMENT

Storm 3



Customer :
Customer No. :
Phone :

Contact :
Commission :
Serial No. :



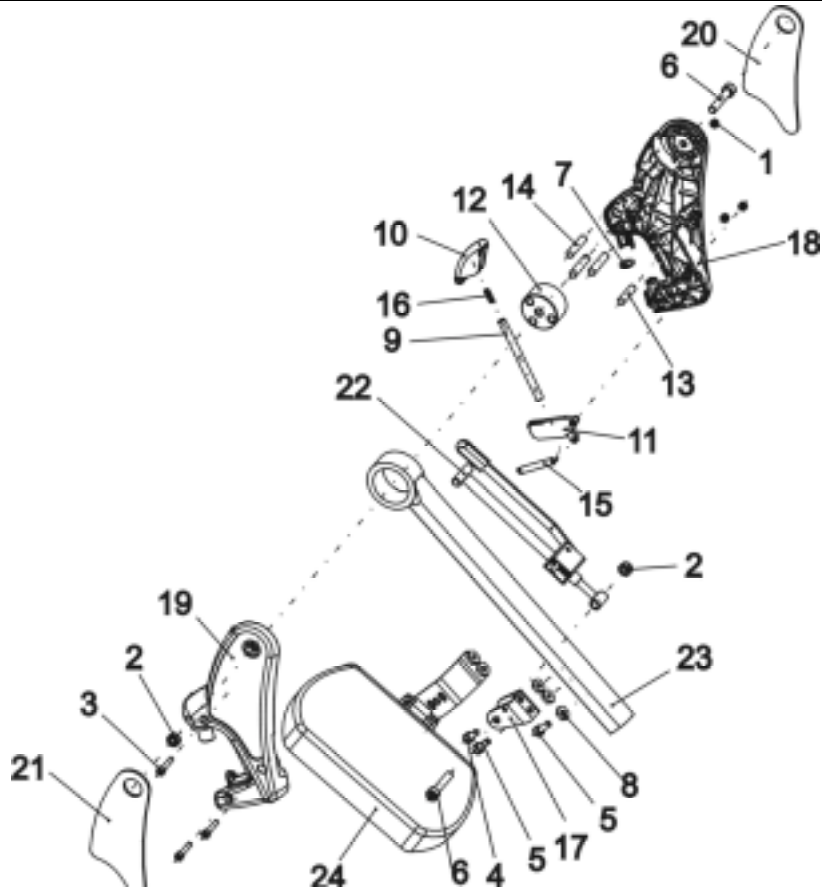
<i>Item</i>	<i>Qty</i>	<i>Part-No.</i>	<i>Part-Designation</i>
24	1	SPZ174164	CALF SUPPORT ASSY (VARI AD)

Storm 3



Customer :
 Customer No. :
 Phone :

Contact :
 Commission :
 Serial No. :



Item	Qty	Part-No.	Part-Designation
-	1	SP1422568	UPPER FOOTREST LH 80°, MANUAL HEIGHT ADJUSTMENT, CPL.
1	3		NYLOC NUT M5
2	2		NYLOC NUT M8
3	3		SOCKET HEAD CAP SCREW M5 X 25
4	1		SOCKET HEAD CAP SCREW M6 X 12
5	2		SOCKET HEAD CAP SCREW M6 X 20
6	2		SOCKET HEAD CAP SCREW M8 X 40
7	1	Z174139	ADP-PLATE
8	3	Z173189.99	NUT M6 SW-14
-	1	SP1423195	RELEASE UNIT ASSEMBLY KIT F. LEGREST 80° W. MAN. HEIGHT...
9	1		PUSH ROD
10	1		RELEASE LEVER (AD)
11	1		LOCK LEVER
12	1		SLIDING BUSH
13	1		DOWEL RD. 8 X 30, DIN-7
14	3		DOWEL RD. 8 X 36, DIN-7
15	1		SPRING
16	1		COMPRESSION SPRING
17	1		ACTUATOR MOUNT
18	1	Z174111	HANGER (AD) LH
19	1	Z174110	HANGER (AD) RH
20	1	1435024	KNEE PAD ADM (PAIR LH/RH)
22	1	SPZ174130	ADM ADJUSTMENT MECHANISM CPL.
23	1		UPPER FOOTREST T RH 80°, MANUAL HEIGHT ADJUSTMENT

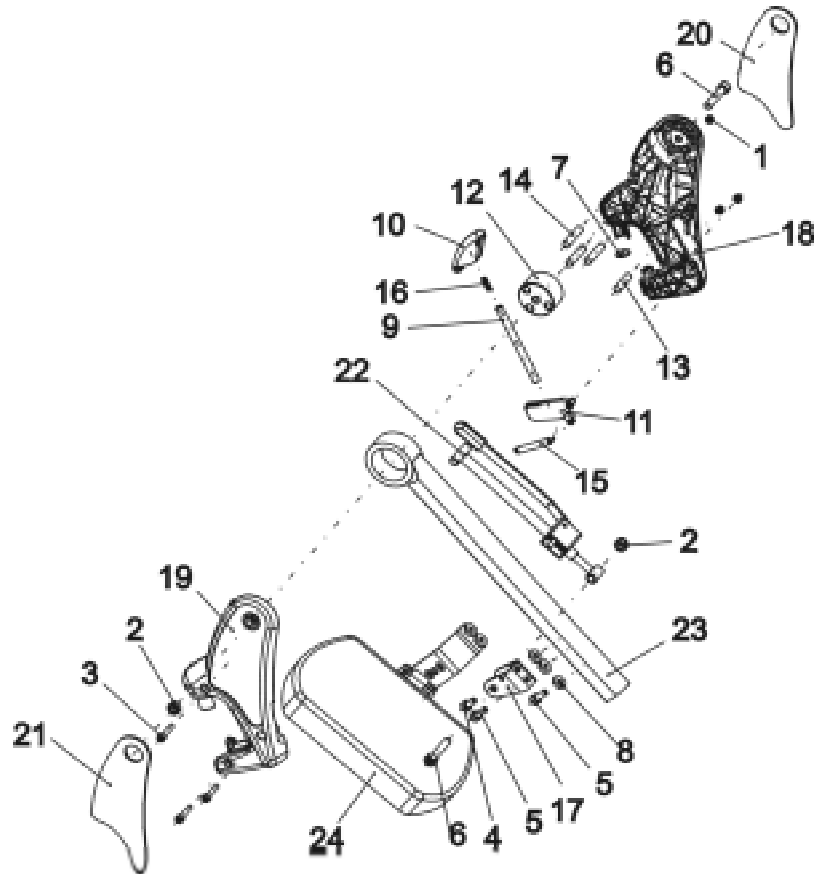
Storm 3



Release
 07 / 2004
 Chapter 8
 Sheet 9

Customer :
Customer No. :
Phone :

Contact :
Commission :
Serial No. :



Item	Qty	Part-No.	Part-Designation
24	1	SPZ174164	CALF SUPPORT ASSY (VARI AD)

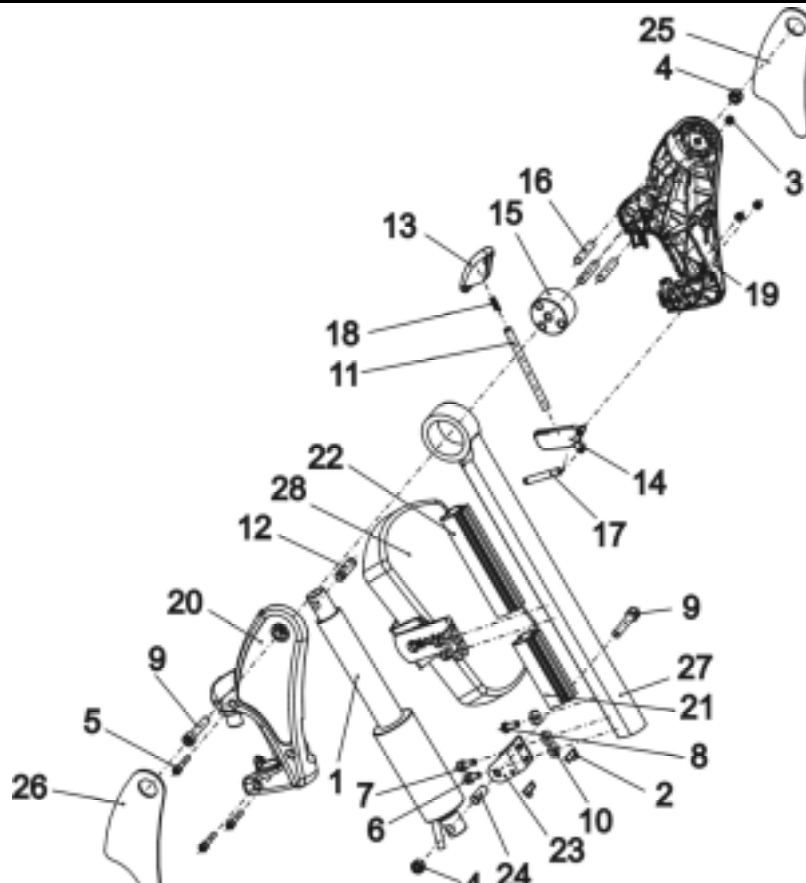
Storm 3



Release
07 / 2004
Chapter 8
Sheet 10

Customer :
 Customer No. :
 Phone :

Contact :
 Commission :
 Serial No. :



Item	Qty	Part-No.	Part-Designation
-	1	SP1422569	UPPER FOOTREST RH, ELECTRIC HEIGHT ADJUSTMENT, CPL.
1	1	SPZ151006	ACTUATOR ASSY
-	1	Z174139	ADP-PLATE
2	2		CABLE STRAP L=142 MM; BLACK
3	3		NYLOC NUT M5
4	2		NYLOC NUT M8
5	3		SOCKET HEAD CAP SCREW M5 X 25
6	1		MACHINE SCREW WITH ALLEN KEY HEAD M6 X 12
7	1		SOCKET HEAD CAP SCREW M6 X 16
8	1		HEX HEAD SCREW M6 X 20
9	2		SOCKET HEAD CAP SCREW M8 X 40
10	3	Z173189.99	NUT M6 SW-14
-	1	SP1423201	RELEASE UNIT ASSEMBLY KIT F. LEGREST W. ELECTR. HEIGHT ...
11	1		PUSH ROD
12	1		PIVOT BUSH
13	1		RELEASE LEVER (AD)
14	1		LOCK LEVER
15	1		SLIDING BUSH
16	3		DOWEL RD. 8 X 36, DIN-7
17	1		SPRING
18	1		COMPRESSION SPRING
19	1	Z174111	HANGER (AD) LH
20	1	Z174110	HANGER (AD) RH
21	1	Z174174	LOWER GUARD
22	1	Z174175	UPPER GUARD

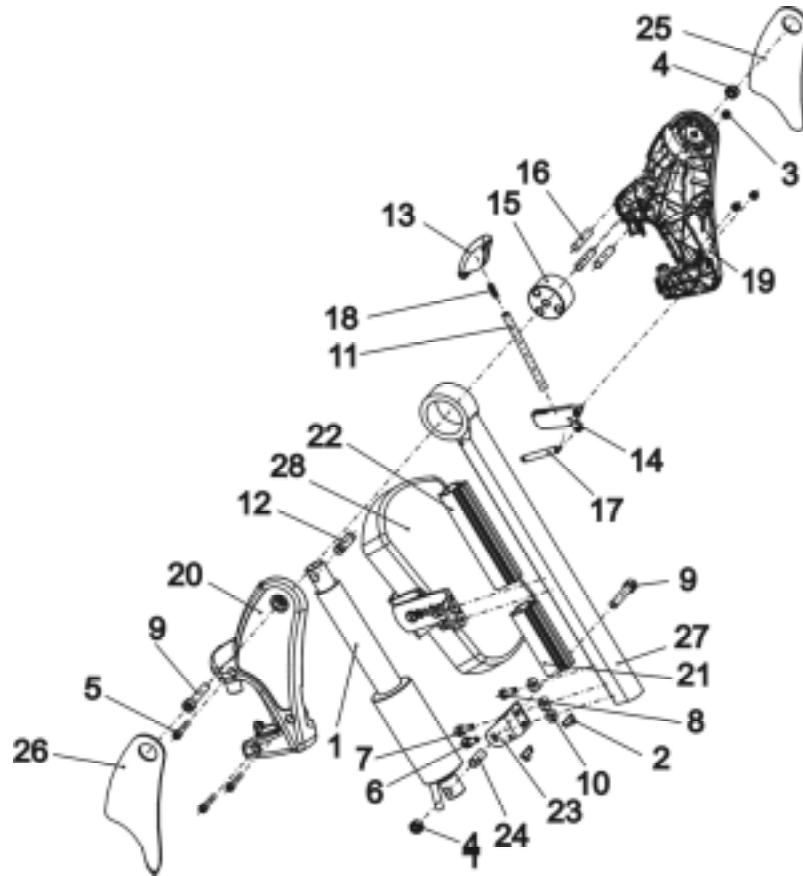
Storm 3



Release
 07 / 2004
 Chapter 8
 Sheet 11

Customer :
 Customer No. :
 Phone :

Contact :
 Commission :
Serial No. :



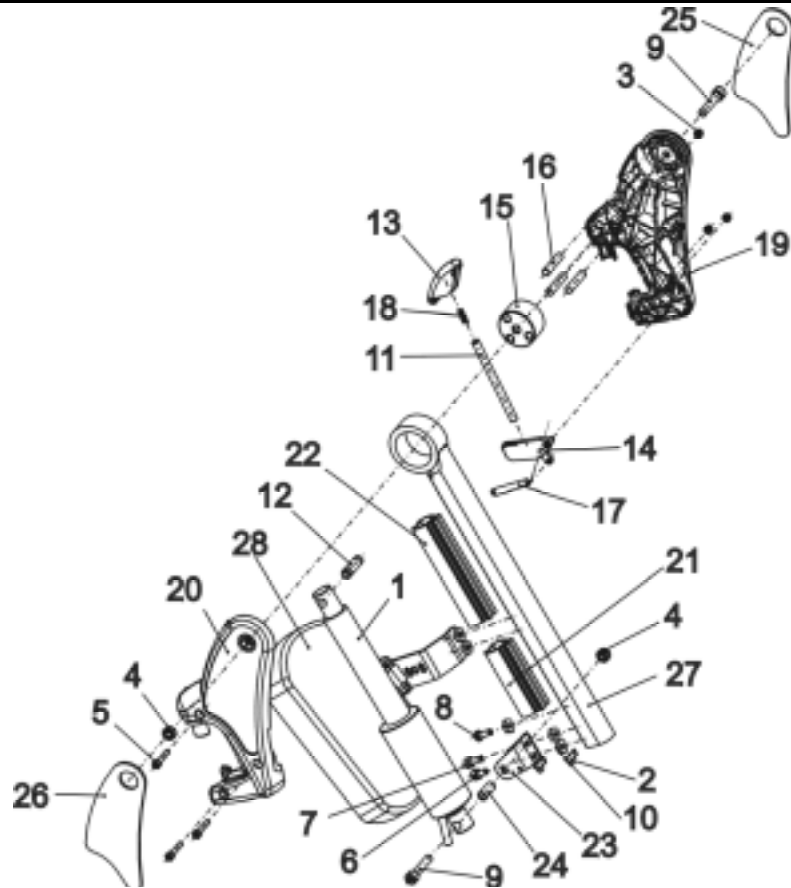
Item	Qty	Part-No.	Part-Designation
23	1		ACTUATOR MOUNT
24	1	4000665	BUSH 10 X 1 X 22,5
25	1	1435024	KNEE PAD ADM (PAIR LH/RH)
27	1		UPPER FOOTREST, ADP
28	1	SPZ174164	CALF SUPPORT ASSY (VARI AD)

Storm 3



Customer :
 Customer No. :
 Phone :

Contact :
 Commission :
 Serial No. :



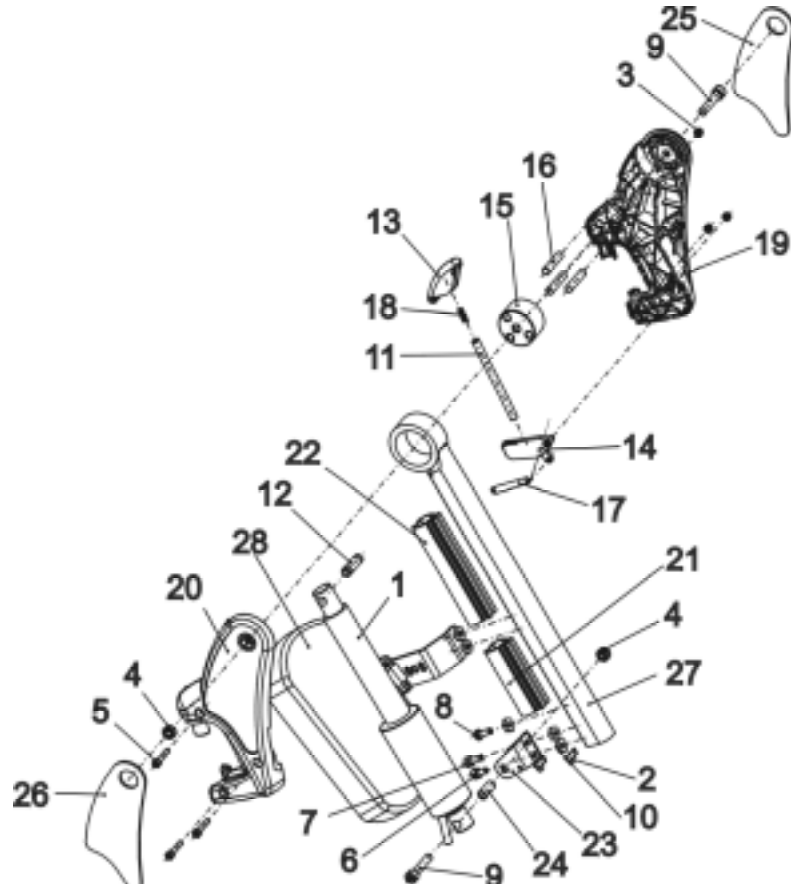
Item	Qty	Part-No.	Part-Designation
-	1	SP1422570	UPPER FOOTREST LH, ELECTR. HEIGHT ADJUSTMENT, CPL.
1	1	SPZ151006	ACTUATOR ASSY
-	1	Z174139	ADP-PLATE
2	2		CABLE STRAP L=142 MM; BLACK
3	3		NYLOC NUT M5
4	2		NYLOC NUT M8
5	3		SOCKET HEAD CAP SCREW M5 X 25
6	1		MACHINE SCREW WITH ALLEN KEY HEAD M6 X 12
7	1		SOCKET HEAD CAP SCREW M6 X 16
8	1		HEX HEAD SCREW M6 X 20
9	2		SOCKET HEAD CAP SCREW M8 X 40
10	3	Z173189.99	NUT M6 SW-14
-	1	SP1423201	RELEASE UNIT ASSEMBLY KIT F. LEGREST W. ELECTR. HEIGHT ...
11	1		PUSH ROD
12	1		PIVOT BUSH
13	1		RELEASE LEVER (AD)
14	1		LOCK LEVER
15	1		SLIDING BUSH
16	3		DOWEL RD. 8 X 36, DIN-7
17	1		SPRING
18	1		COMPRESSION SPRING
19	1	Z174111	HANGER (AD) LH
20	1	Z174110	HANGER (AD) RH
21	1	Z174174	LOWER GUARD
22	1	Z174175	UPPER GUARD

Storm 3



Customer :
 Customer No. :
 Phone :

Contact :
 Commission :
Serial No. :



Item	Qty	Part-No.	Part-Designation
23	1		ACTUATOR MOUNT
24	1	4000665	BUSH 10 X 1 X 22,5
25	1	1435024	KNEE PAD ADM (PAIR LH/RH)
27	1		UPPER FOOTREST, ADP
28	1	SPZ174164	CALF SUPPORT ASSY (VARI AD)

Storm 3

