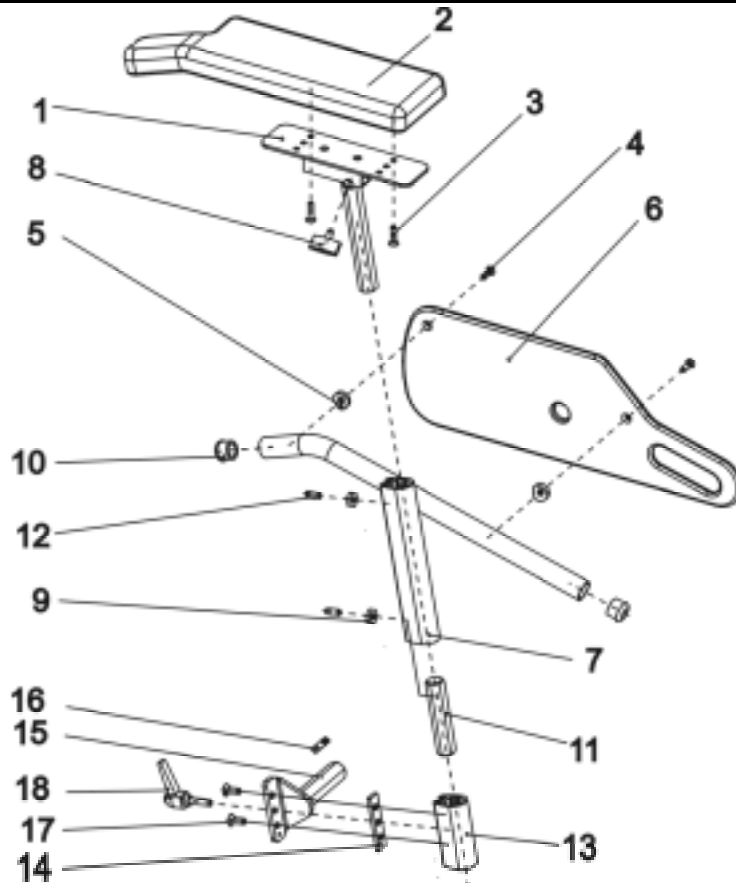


Customer :  
 Customer No. :  
 Phone :

Contact :  
 Commission :  
 Serial No. :



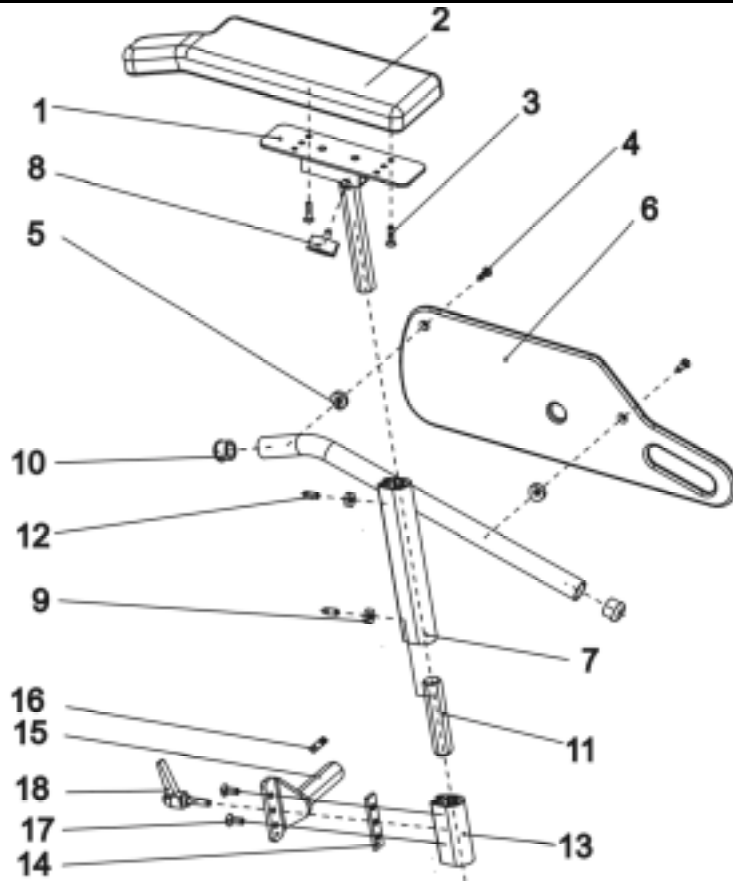
Item	Qty	Part-No.	Part-Designation
-	1	SP1421692	ARMREST RH CPL. 340 MM
1	1	1421716-9005	ARM PAD RECEPTACLE RH
-	1	SP1423221	ARMREST PAD RH CPL.
2	1		ARMREST PAD - RH
3	2		COUNTERSUNK CROSS HEAD SCREW M5 X 16
-	1	SP1423222	SIDE PART PLATE 340MM RH CPL.
4	2		SREW M5 X 20
5	2		ROUND CAP TYPE B
6	1		SIDE PART PLATE
7	1		SIDE PART ADJUSTMENT RH CPL. 250-340 MM
8	1	L31001	HAND KNOB M6 X 10
9	2	Z173189.99	NUT M6 SW-14
10	2		TUBE END PLUG SL 22
11	1		CONNECTION PIECE
-	1	SP1423223	SIDE PART RECEPTACLE RH CPL.
13	1		SIDE PART RECEPTACLE
14	1		GROVE PLATE
15	1	1422089-9005	SIDE PART RECEPTACLE RH SB=39CM
16	1		ADHESIVE LABEL "STOP"
17	2		COUNTERSUNK SOCKET HEAD SCREW M6 X 16
18	1	1415027	CLAMP LEVER M6 X 25

**Storm 3**



Customer :  
 Customer No. :  
 Phone :

Contact :  
 Commission :  
 Serial No. :



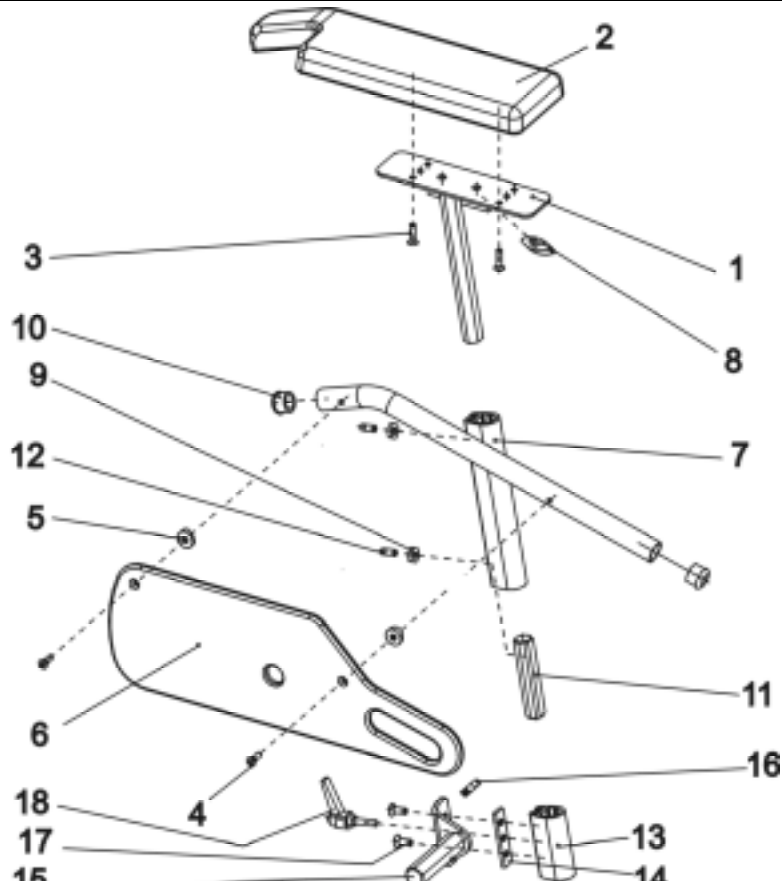
Item	Qty	Part-No.	Part-Designation
-	1	SP1421693	ARMREST RH CPL. 380 MM
1	1	1421716-9005	ARM PAD RECEPTACLE RH
-	1	SP1423221	ARMREST PAD RH CPL.
2	1		ARMREST PAD - RH
3	2		COUNTERSUNK CROSS HEAD SCREW M5 X 16
-	1	SP1423701	SIDE PART PLATE 380 MM R CPL.
4	2		SREW M5 X 20
5	2		ROUND CAP TYPE B
6	1		SIDE PART PLATE
7	1	1422098-9005	SIDE PART ADJUSTMENT RH CPL. 290-380 MM
8	1	L31001	HAND KNOB M6 X 10
9	2	Z173189.99	NUT M6 SW-14
10	2		TUBE END PLUG SL 22
11	1		CONNECTION PIECE
-	1	SP1423223	SIDE PART RECEPTACLE RH CPL.
13	1		SIDE PART RECEPTACLE
14	1		GROVE PLATE
15	1	1422089-9005	SIDE PART RECEPTACLE RH SB=39CM
16	1		ADHESIVE LABEL "STOP"
17	2		COUNTERSUNK SOCKET HEAD SCREW M6 X 16
18	1	1415027	CLAMP LEVER M6 X 25

**Storm 3**



Customer :  
 Customer No. :  
 Phone :

Contact :  
 Commission :  
 Serial No. :



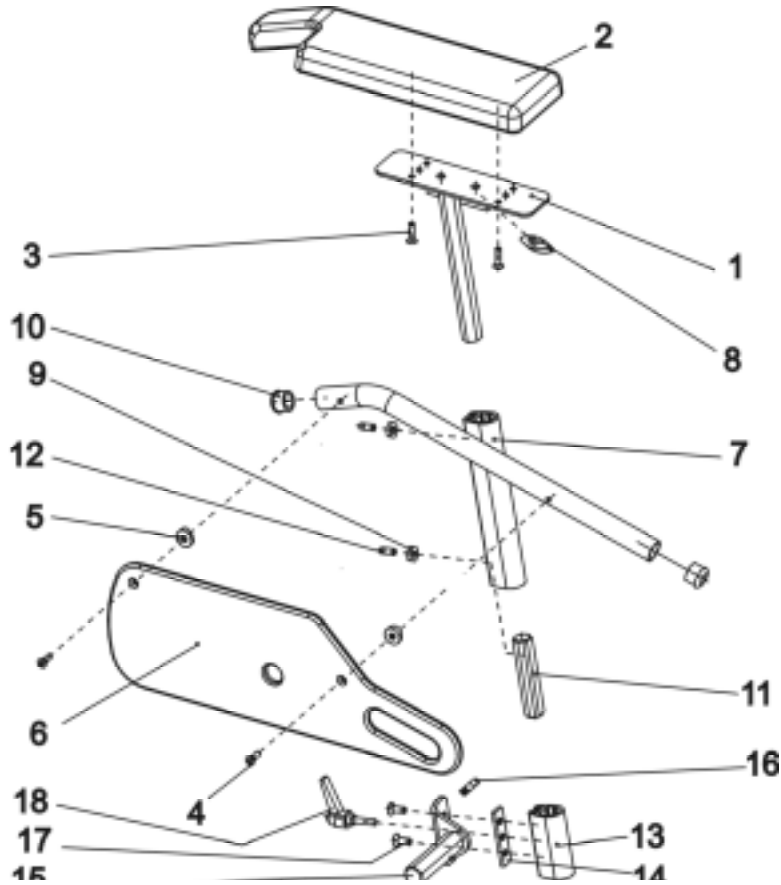
Item	Qty	Part-No.	Part-Designation
-	1	<b>SP1421694</b>	<b>ARMREST LH CPL. 340 MM</b>
1	1	1421717-9005	ARM PAD RECEPTACLE LH
-	1	<b>SP1423224</b>	<b>ARMREST PAD LH CPL.</b>
2	1		ARMREST PAD - LH
3	2		COUNTERSUNK CROSS HEAD SCREW M5 X 16
-	1	<b>SP1423702</b>	<b>SIDE PART PLATE 340 MM L CPL.</b>
4	2		SREW M5 X 20
5	2		ROUND CAP TYPE B
6	1		SIDE PART PLATE
7	1		SIDE PART ADJUSTMENT LH CPL. 250-340 MM
8	1	L31001	HAND KNOB M6 X 10
9	2	Z173189.99	NUT M6 SW-14
10	2		TUBE END PLUG SL 22
11	1		CONNECTION PIECE
-	1	<b>SP1423225</b>	<b>SIDE PART RECEPTACLE LH CPL.</b>
13	1		SIDE PART RECEPTACLE
14	1		GROVE PLATE
15	1	1422097-9005	SIDE PART RECEPTACLE LH SB>39CM
16	1		ADHESIVE LABEL "STOP"
17	2		COUNTERSUNK SOCKET HEAD SCREW M6 X 16
18	1	1415027	CLAMP LEVER M6 X 25

**Storm 3**



Customer :  
 Customer No. :  
 Phone :

Contact :  
 Commission :  
 Serial No. :



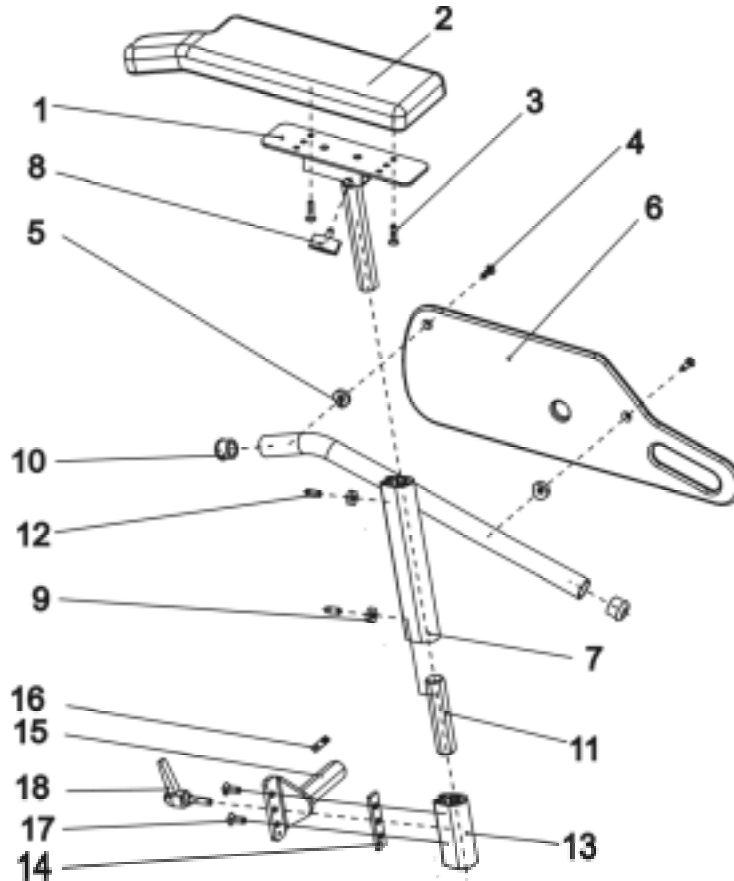
Item	Qty	Part-No.	Part-Designation
-	1	SP1421695	ARMREST LH CPL. 380 MM
1	1	1421717-9005	ARM PAD RECEPTACLE LH
-	1	SP1423224	ARMREST PAD LH CPL.
2	1		ARMREST PAD - LH
3	2		COUNTERSUNK CROSS HEAD SCREW M5 X 16
-	1	SP1423703	SIDE PART PLATE 380 MM L CPL.
4	2		SREW M5 X 20
5	2		ROUND CAP TYPE B
6	1		SIDE PART PLATE
7	1	1422099-9005	SIDE PART ADJUSTMENT LH CPL. 290-380 MM
8	1	L31001	HAND KNOB M6 X 10
9	2	Z173189.99	NUT M6 SW-14
10	2		TUBE END PLUG SL 22
11	1		CONNECTION PIECE
-	1	SP1423225	SIDE PART RECEPTACLE LH CPL.
13	1		SIDE PART RECEPTACLE
14	1		GROVE PLATE
15	1	1422097-9005	SIDE PART RECEPTACLE LH SB>39CM
16	1		ADHESIVE LABEL "STOP"
17	2		COUNTERSUNK SOCKET HEAD SCREW M6 X 16
18	1	1415027	CLAMP LEVER M6 X 25

**Storm 3**



Customer :  
 Customer No. :  
 Phone :

Contact :  
 Commission :  
 Serial No. :



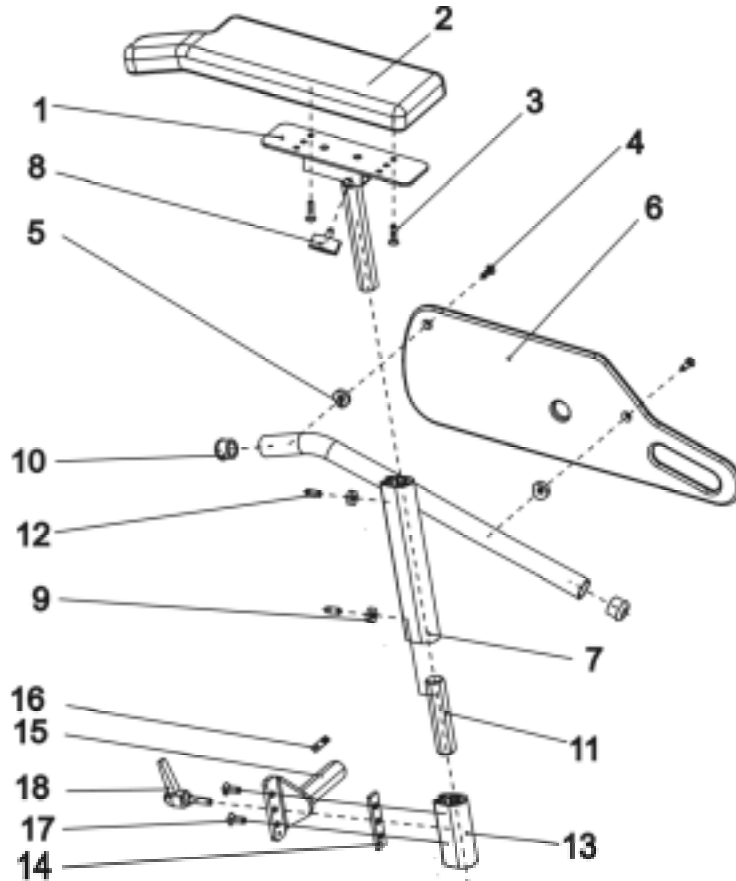
Item	Qty	Part-No.	Part-Designation
-	1	SP1422542	ARMREST, RH CPL. 340 MM (SB=39)
1	1	1421716-9005	ARM PAD RECEPTACLE RH
-	1	SP1423221	ARMREST PAD RH CPL.
2	1		ARMREST PAD - RH
3	2		COUNTERSUNK CROSS HEAD SCREW M5 X 16
-	1	SP1423222	SIDE PART PLATE 340MM RH CPL.
4	2		SREW M5 X 20
5	2		ROUND CAP TYPE B
6	1		SIDE PART PLATE
7	1		SIDE PART ADJUSTMENT RH CPL. 250-340 MM
8	1	L31001	HAND KNOB M6 X 10
9	2	Z173189.99	NUT M6 SW-14
10	2		TUBE END PLUG SL 22
11	1		CONNECTION PIECE
-	1	SP1423226	SIDE PART RECEPTACLE RH (SB=39) CPL.
13	1		SIDE PART RECEPTACLE
14	1		GROVE PLATE
15	1	1422114-9005	SIDE PART RECEPTACLE RH SB=39CM
16	1		ADHESIVE LABEL "STOP"
17	2		COUNTERSUNK SOCKET HEAD SCREW M6 X 16
18	1	1415027	CLAMP LEVER M6 X 25

**Storm 3**



Customer :  
 Customer No. :  
 Phone :

Contact :  
 Commission :  
 Serial No. :



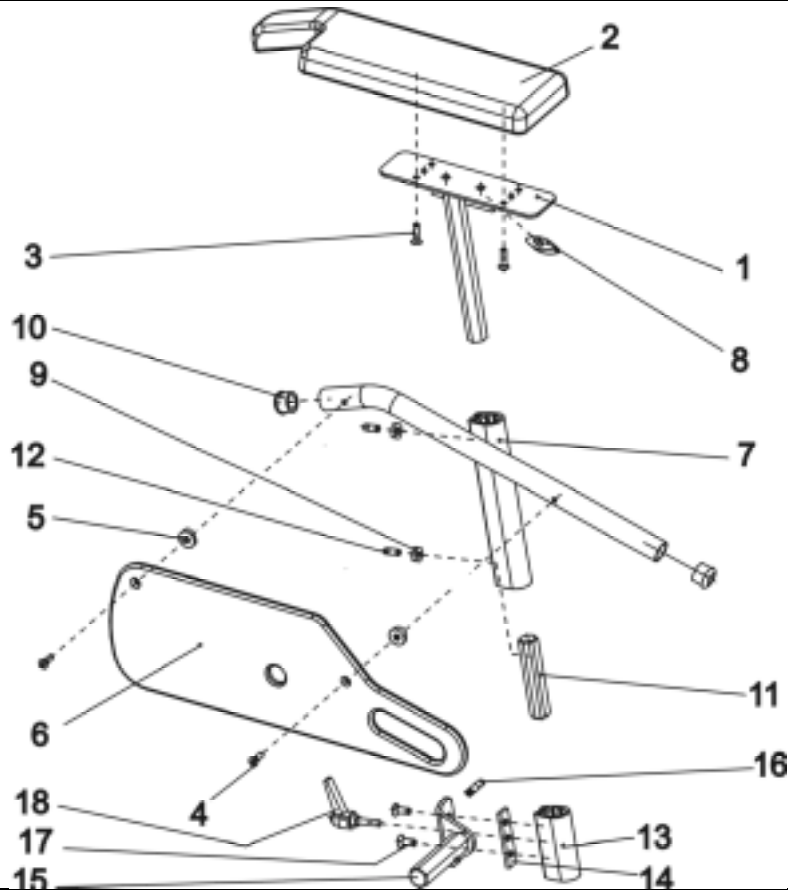
Item	Qty	Part-No.	Part-Designation
-	1	SP1422548	ARMREST, RH CPL. 380 MM (SB=39)
1	1	1421716-9005	ARM PAD RECEPTACLE RH
-	1	SP1423221	ARMREST PAD RH CPL.
2	1		ARMREST PAD - RH
3	2		COUNTERSUNK CROSS HEAD SCREW M5 X 16
-	1	SP1423701	SIDE PART PLATE 380 MM R CPL.
4	2		SREW M5 X 20
5	2		ROUND CAP TYPE B
6	1		SIDE PART PLATE
7	1	1422098-9005	SIDE PART ADJUSTMENT RH CPL. 290-380 MM
8	1	L31001	HAND KNOB M6 X 10
9	2	Z173189.99	NUT M6 SW-14
10	2		TUBE END PLUG SL 22
11	1		CONNECTION PIECE
-	1	SP1423226	SIDE PART RECEPTACLE RH (SB=39) CPL.
13	1		SIDE PART RECEPTACLE
14	1		GROVE PLATE
15	1	1422114-9005	SIDE PART RECEPTACLE RH SB=39CM
16	1		ADHESIVE LABEL "STOP"
17	2		COUNTERSUNK SOCKET HEAD SCREW M6 X 16
18	1	1415027	CLAMP LEVER M6 X 25

**Storm 3**



Customer :  
 Customer No. :  
 Phone :

Contact :  
 Commission :  
 Serial No. :



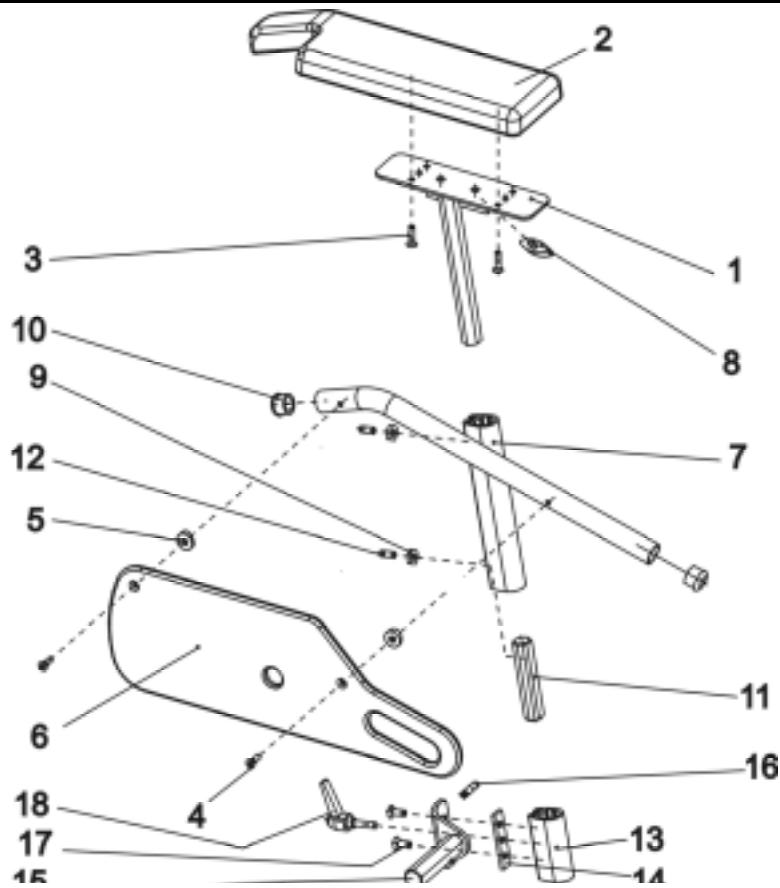
Item	Qty	Part-No.	Part-Designation
-	1	SP1422543	ARMREST LH CPL. 340 MM (SB=39)
1	1	1421717-9005	ARM PAD RECEPTACLE LH
-	1	SP1423224	ARMREST PAD LH CPL.
2	1		ARMREST PAD - LH
3	2		COUNTERSUNK CROSS HEAD SCREW M5 X 16
-	1	SP1423702	SIDE PART PLATE 340 MM L CPL.
4	2		SREW M5 X 20
5	2		ROUND CAP TYPE B
6	1		SIDE PART PLATE
7	1		SIDE PART ADJUSTMENT LH CPL. 250-340 MM
8	1	L31001	HAND KNOB M6 X 10
9	2	Z173189.99	NUT M6 SW-14
10	2		TUBE END PLUG SL 22
11	1		CONNECTION PIECE
-	1	SP1423227	SIDE PART RECEPTACLE (SB=39) LH CPL.
13	1		SIDE PART RECEPTACLE
14	1		GROVE PLATE
15	1	1422115-9005	SIDE PART RECEPTACLE LH SB=39CM
16	1		ADHESIVE LABEL "STOP"
17	2		COUNTERSUNK SOCKET HEAD SCREW M6 X 16
18	1	1415027	CLAMP LEVER M6 X 25

**Storm 3**



Customer :  
 Customer No. :  
 Phone :

Contact :  
 Commission :  
 Serial No. :



Item	Qty	Part-No.	Part-Designation
-	1	SP1422549	ARMREST, LH CPL. 380 MM (SB=39)
1	1	1421717-9005	ARM PAD RECEPTACLE LH
-	1	SP1423224	ARMREST PAD LH CPL.
2	1		ARMREST PAD - LH
3	2		COUNTERSUNK CROSS HEAD SCREW M5 X 16
-	1	SP1423703	SIDE PART PLATE 380 MM L CPL.
4	2		SREW M5 X 20
5	2		ROUND CAP TYPE B
6	1		SIDE PART PLATE
7	1	1422099-9005	SIDE PART ADJUSTMENT LH CPL. 290-380 MM
8	1	L31001	HAND KNOB M6 X 10
9	2	Z173189.99	NUT M6 SW-14
10	2		TUBE END PLUG SL 22
11	1		CONNECTION PIECE
-	1	SP1423227	SIDE PART RECEPTACLE (SB=39) LH CPL.
13	1		SIDE PART RECEPTACLE
14	1		GROVE PLATE
15	1	1422115-9005	SIDE PART RECEPTACLE LH SB=39CM
16	1		ADHESIVE LABEL "STOP"
17	2		COUNTERSUNK SOCKET HEAD SCREW M6 X 16
18	1	1415027	CLAMP LEVER M6 X 25

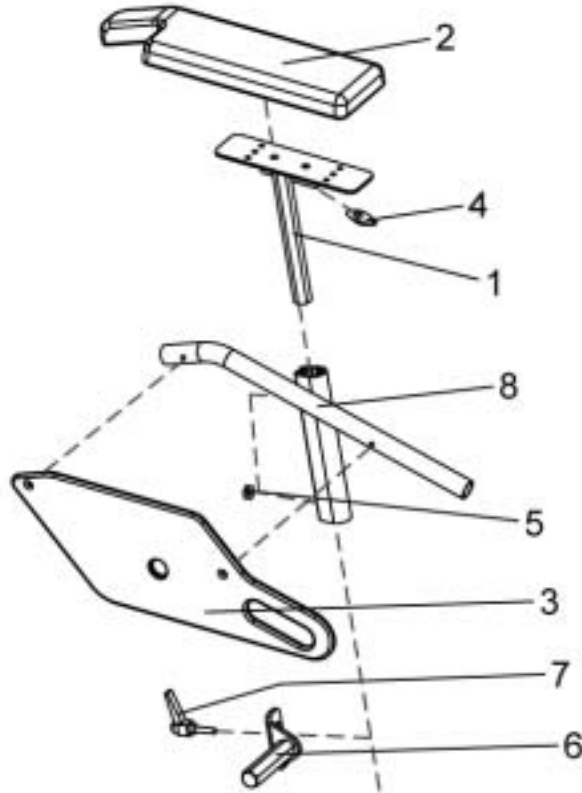
**Storm 3**





Customer :  
 Customer No. :  
 Phone :

Contact :  
 Commission :  
**Serial No. :**



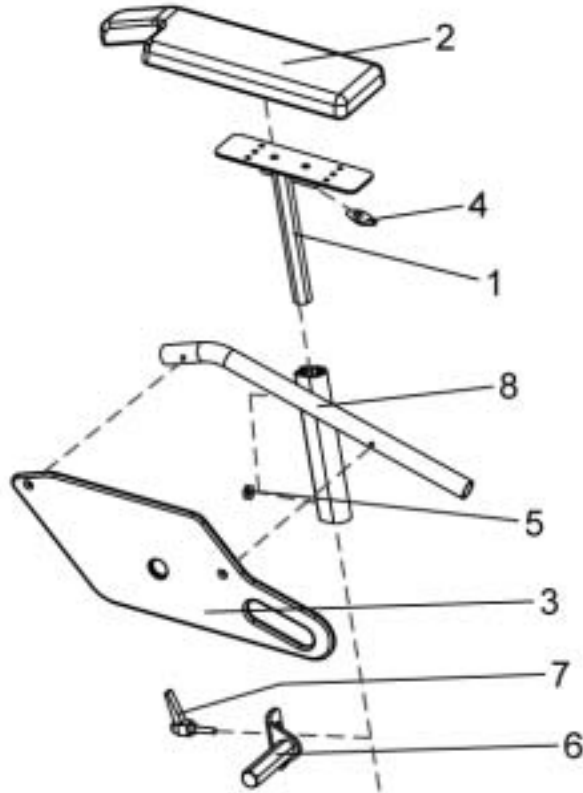
<b>Item</b>	<b>Qty</b>	<b>Part-No.</b>	<b>Part-Designation</b>
-	1	SP1428096	ARMREST RH ST=41 340 MM CPL.
-	1	SP1428097	ARMREST LH ST=41 340 MM CPL.
-	1	SP1428098	ARMREST RH ST=41 380 MM CPL.
-	1	SP1428099	ARMREST LH ST=41 380 MM CPL.
-	1	SP1428100	ARMREST RH ST=41 340 MM SB=39 CPL.
-	1	SP1428101	ARMREST LH ST=41 340 MM SB=39 CPL.
-	1	SP1428102	ARMREST RH ST=41 380 MM SB=39 CPL.
-	1	SP1428103	ARMREST LH ST=41 380 MM SB=39 CPL.
1	1	1421717-9005	ARM PAD RECEPTACLE LH
1	1	1421716-9005	ARM PAD RECEPTACLE RH
2	1	SP1423224	ARMREST PAD LH CPL.
2	1	SP1423221	ARMREST PAD RH CPL.
3	1	1440705	<b>SIDE PART PLATE 380 MM LH CPL. (ST=41)</b>
3	1	1440706	<b>SIDE PART PLATE 380 MM RH CPL. (ST=41)</b>
3	1	1440707	<b>SIDE PART PLATE 340 MM LH CPL. (ST=41)</b>
3	1	1440708	<b>SIDE PART PLATE 340 MM RH CPL. (ST=41)</b>
4	1	L31001	HAND KNOB M6 X 10
5	2	Z173189.99	NUT M6 SW-14
8	1	1422099-9005	SIDE PART ADJUSTMENT LH CPL. 290-380 MM
8	1	1422098-9005	SIDE PART ADJUSTMENT RH CPL. 290-380 MM

**Storm 3**



Customer :  
 Customer No. :  
 Phone :

Contact :  
 Commission :  
 Serial No. :



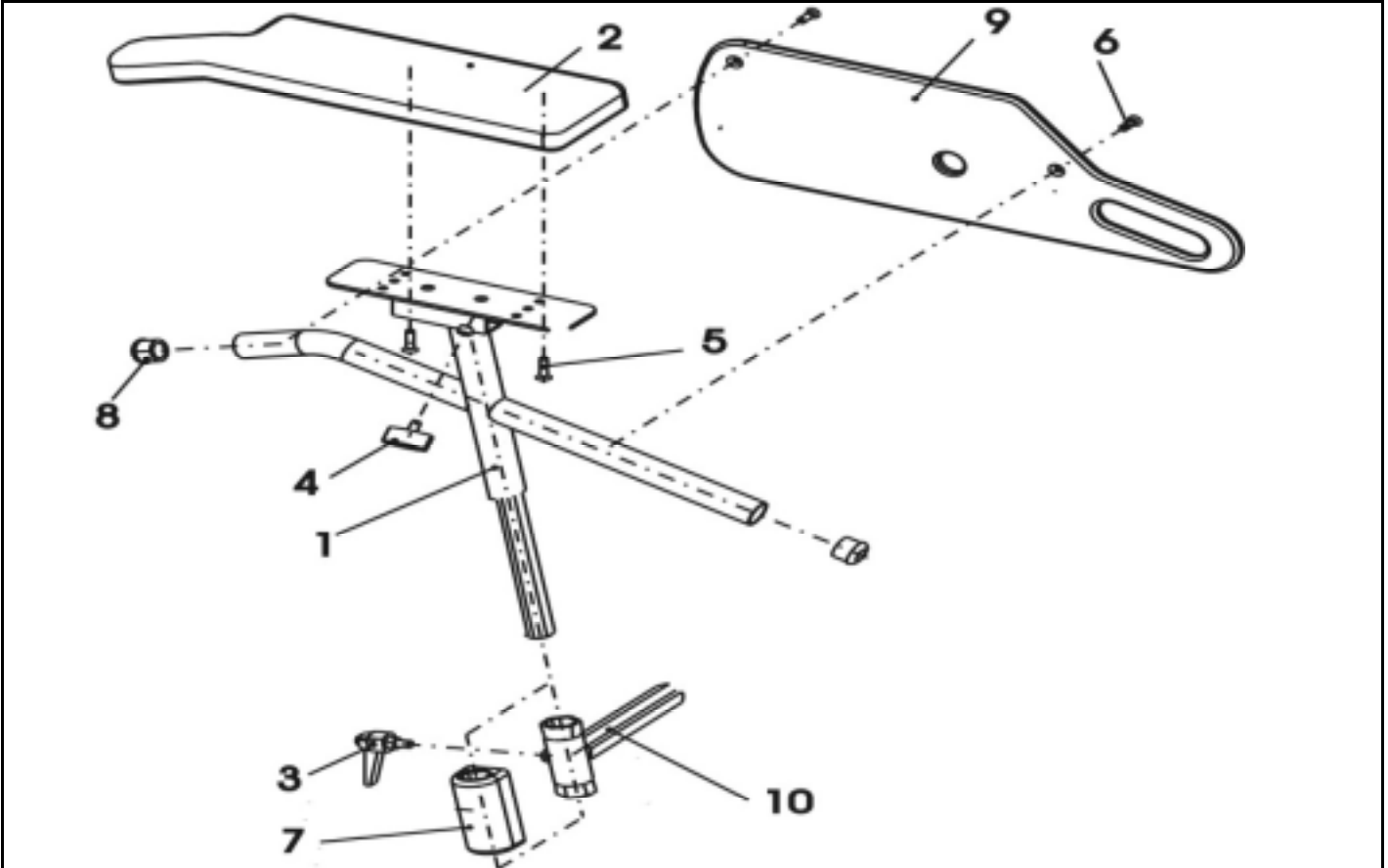
<b>Item</b>	<b>Qty</b>	<b>Part-No.</b>	<b>Part-Designation</b>
-	1	SP1423227	SIDE PART RECEPTACLE (SB=39) LH CPL.
-	1	SP1423226	SIDE PART RECEPTACLE RH (SB=39) CPL.
6	1	1422115-9005	SIDE PART RECEPTACLE LH SB=39CM
6	1	1422114-9005	SIDE PART RECEPTACLE RH SB=39CM
7	1	1415027	CLAMP LEVER M6 X 25
-	1	SP1423225	SIDE PART RECEPTACLE LH CPL.
-	1	SP1423223	SIDE PART RECEPTACLE RH CPL.
6	1	1422097-9005	SIDE PART RECEPTACLE LH SB>39CM
6	1	1422089-9005	SIDE PART RECEPTACLE RH SB=39CM
7	1	1415027	CLAMP LEVER M6 X 25

**Storm 3**



Customer :  
 Customer No. :  
 Phone :

Contact :  
 Commission :  
 Serial No. :



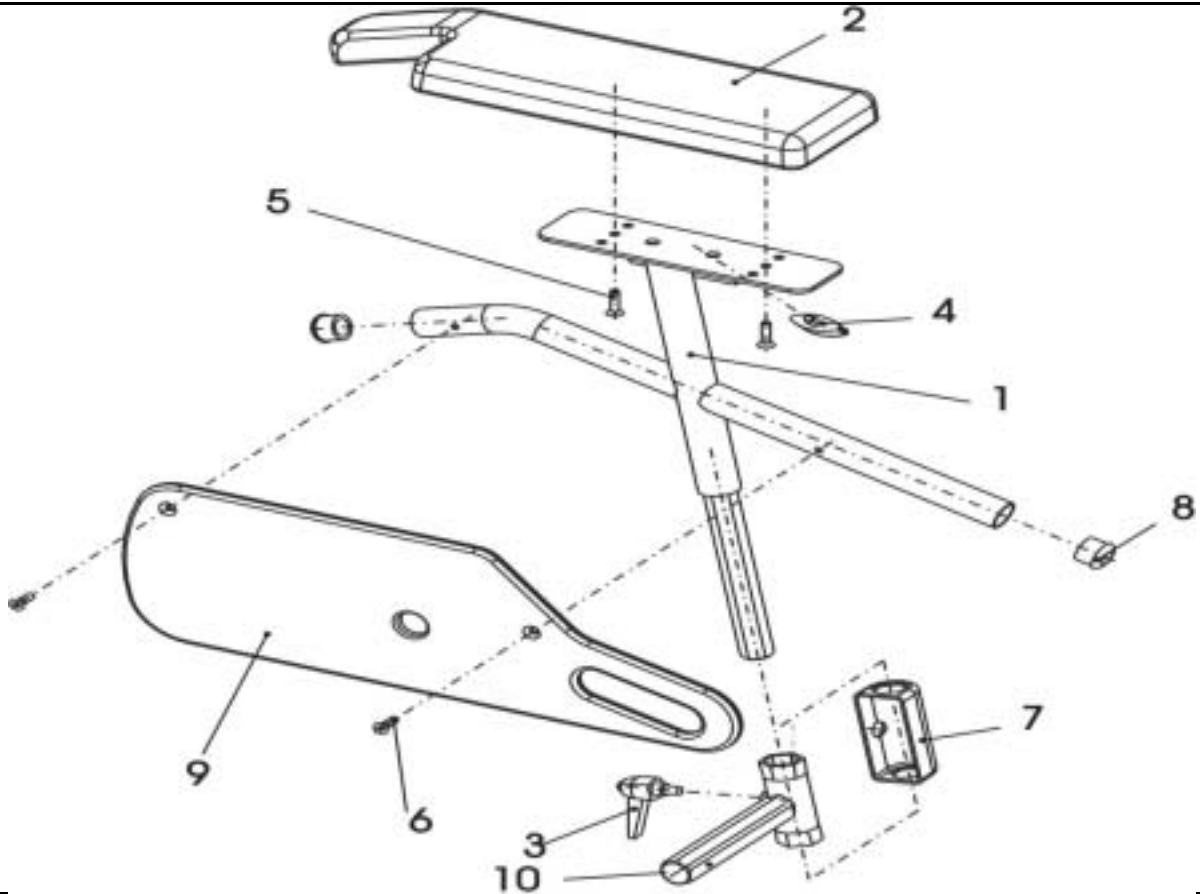
<b>Item</b>	<b>Qty</b>	<b>Part-No.</b>	<b>Part-Designation</b>
-	1	<b>1429339</b>	<b>ARMREST RH CPL. (EURO)</b>
1	1	1428470-9005	ARM SUPPORT RH CPL.
2	1	D171010A	ARMREST PAD - RH
3	1	L32902	LEVER M6 X 10; BLACK
4	1	L31001	HAND KNOB M6 X 10
5	2		COUNTERSUNK CROSS HEAD SCREW M5 X 20
6	2		SREW M5 X 20
7	1		COVER CAP SIDE PANEL RH F. STORM <sup>3</sup> -EURO
8	2		TUBE END PLUG SL 22
9	1		SIDE PART PLATE
10	1	1428465-9005	SIDE PANEL MOUNTING RH

**Storm 3**



Customer :  
 Customer No. :  
 Phone :

Contact :  
 Commission :  
 Serial No. :



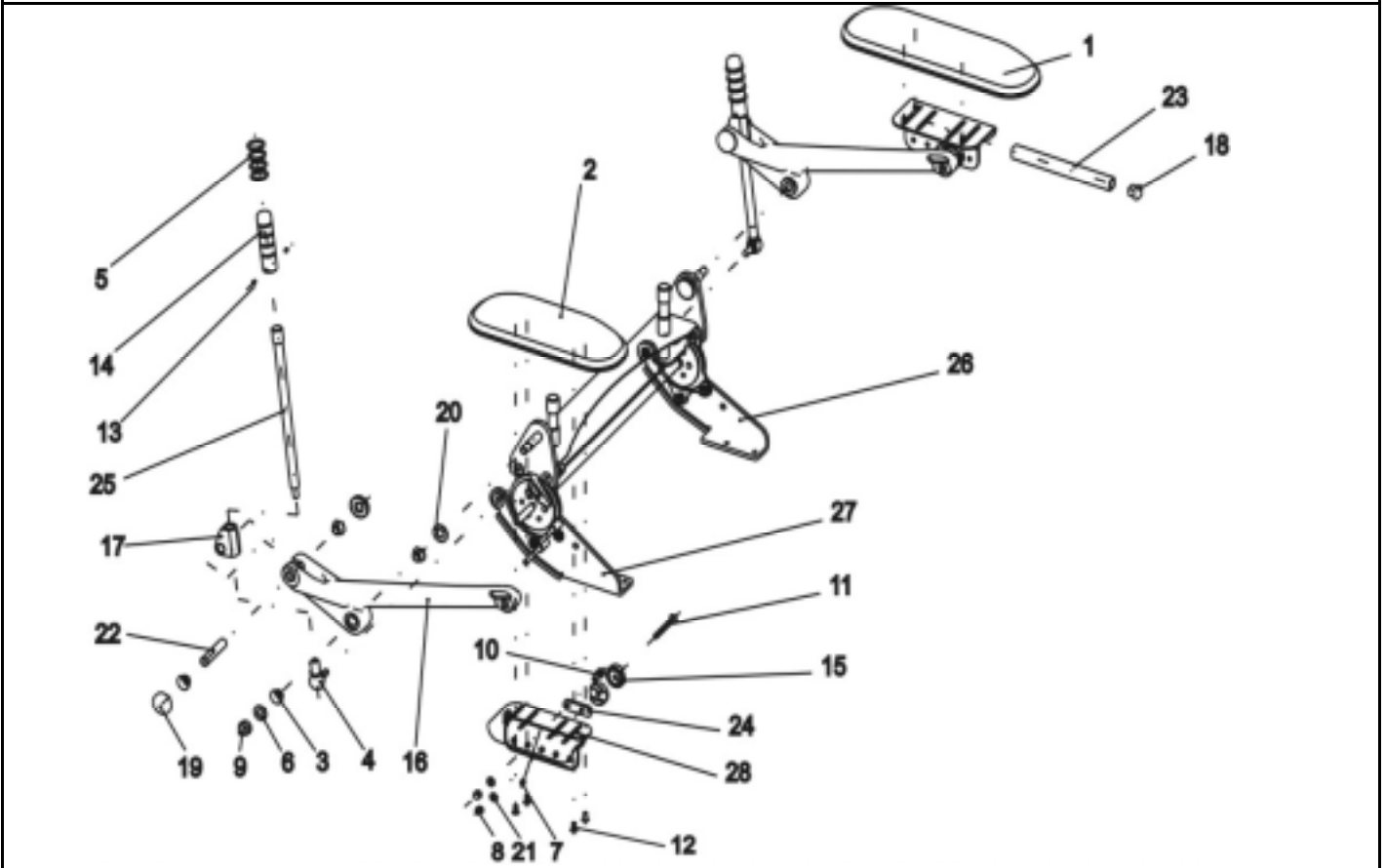
Item	Qty	Part-No.	Part-Designation
-	1	1429340	ARMREST LH CPL. (EURO)
1	1	1428474-9005	ARM SUPPORT LH CPL.
2	1	D171009A	ARMREST PAD - LH
3	1	L32902	LEVER M6 X 10; BLACK
4	1	L31001	HAND KNOB M6 X 10
5	2		COUNTERSUNK CROSS HEAD SCREW M5 X 20
6	2		SREW M5 X 20
7	1		COVER CAP (EURO)
8	2		TUBE END PLUG SL 22
9	1		SIDE PART PLATE
10	1	1428459-9005	SIDE PANEL MOUNTING LH

**Storm 3**



Customer :  
 Customer No. :  
 Phone :

Contact :  
 Commission :  
 Serial No. :



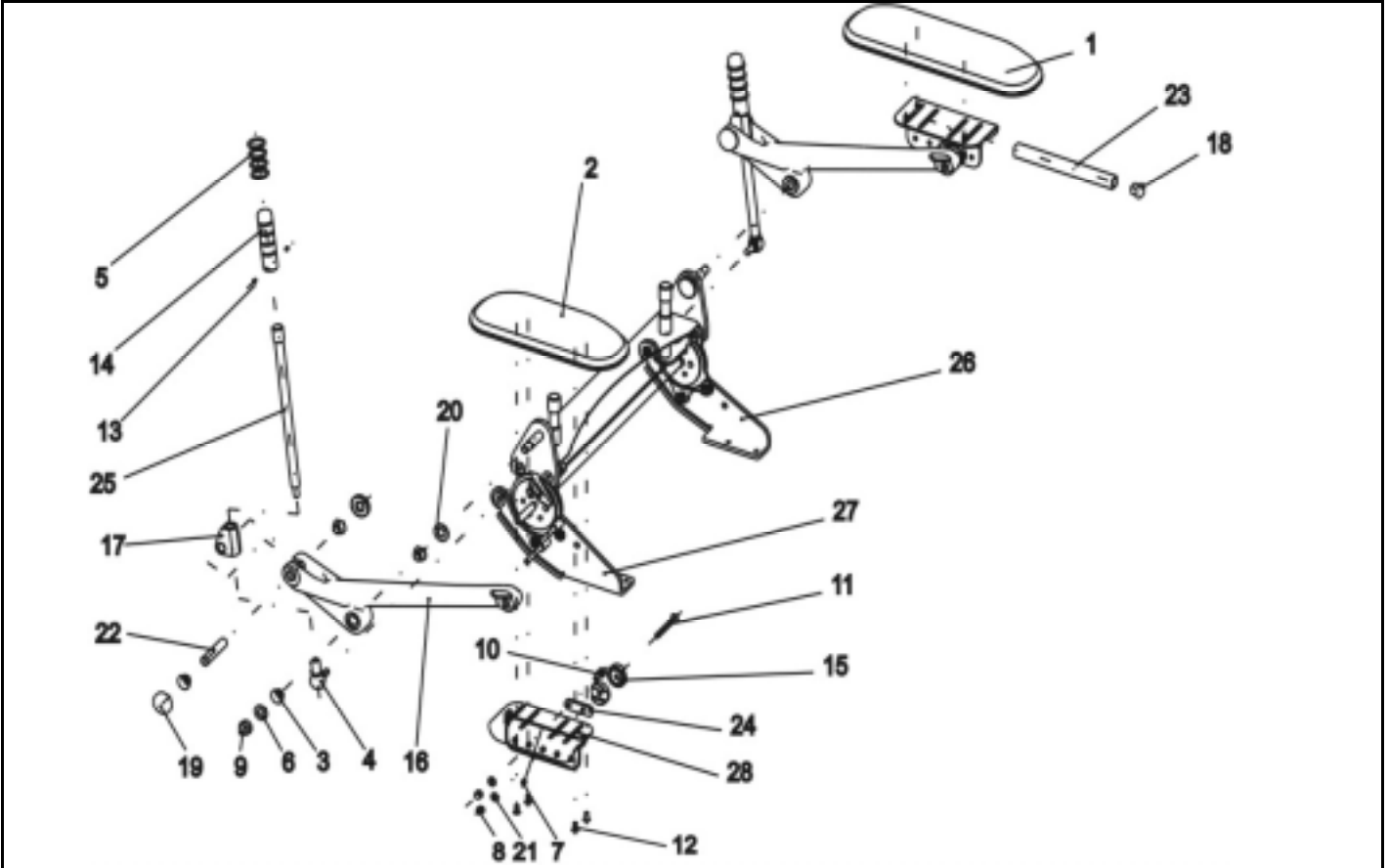
Item	Qty	Part-No.	Part-Designation
-	1	SP1425859	KIT SLIDING ARMRESTS PAIR, F. EL. BACKREST ADJUSTMENT
-	1	SP1425853	KIT SLIDING ARMRESTS PAIR MANUAL
-	1	SP5311680	SLIDING ARMREST RH CPL.
-	1	SP5314641	SLIDING ARMREST LH CPL.
1	1	5314641	ARMREST UPHOLSTERY 320 MM
2	1	5311680	ARMREST UPHOLSTERY 260 MM
3	8	N02194	BUSH BB 1209 DU
4	2	N04109	SWIVEL JOINT AS 13-M8 RH
5	8		O-RING
6	2		WASHER 10,5 X 21 X 2 DIN 125
7	2		GRUB SCREW M6 X 6
8	4		DOMED NYLOC NUT M6, SELF-LOCKING
9	2		NUT M10 DIN 986
10	2		SOCKET HEAD CAP SCREW M6 X 16
11	2		SREW M8 X 55 DIN 7991
12	7		BOLT M5 X 12
13	4		GRUB SCREWS M4 X 5 DIN 913
14	2		ADJUSTING KNOB BLACK ANODISED/TRAVL. ARMRESTS
15	4	1421657-0003	RETAINING WASHER BLACK GALVANISED
16	2		ARMREST ALUMINIUM
17	2		GUIDE BLOCK
18	1	L01055	TUBE END PLUG E 15 X 15
19	4		STARLOCK CAP 12 MM; BLACK
20	2		WASHER 13 X 24 X 2,5
21	4		WASHER 6,4 X 12,5 X 1,6

### Storm 3



Customer :  
 Customer No. :  
 Phone :

Contact :  
 Commission :  
 Serial No. :



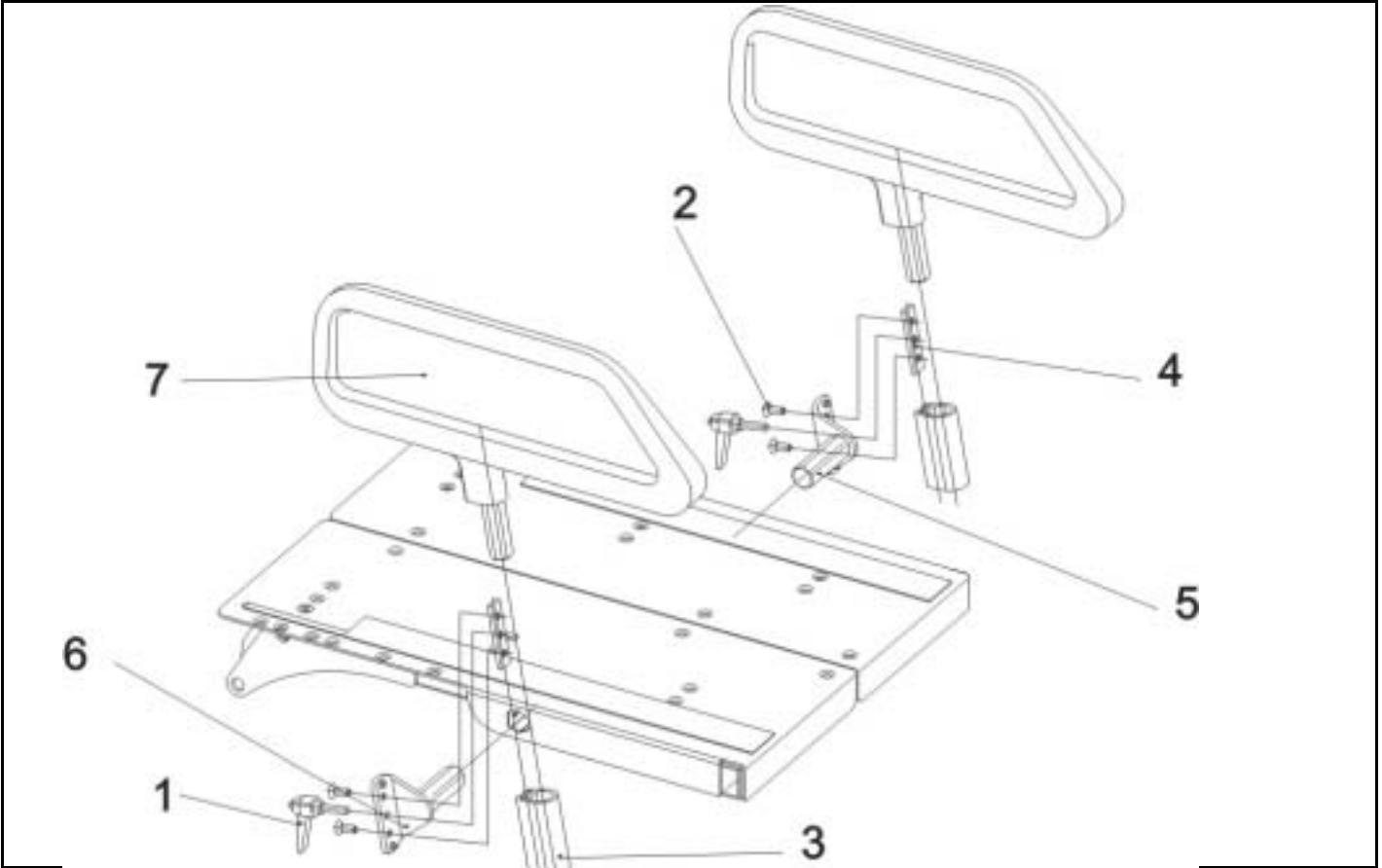
Item	Qty	Part-No.	Part-Designation
22	2		SLEEVE 12X60 ELECTRO-GALVANISED /TRAVL. ARMREST
23	1		GUIDE
24	2		TORQUE CLIP
25	2		GUIDE ROD
26	1		FITTING ATTACHMENT LH F. SLIDING ARMREST
27	1		FITTING ATTACHMENT RH F. ELECTRICAL ADJUSTMENT
27	1		FITTING ATTACHMENT RH F. MANUAL ADJUSTMENT
28	2		REMOTE RECEPTACLE CPL.
-	4		DIN 7991 M8x30 8.8 SVZ COUNTERSUNK SCREW
-	1		LIMIT STOP PLATE RH
-	1		LIMIT STOP PLATE LH
-	1	1420482	REFLECTOR
-	1		MOTOR CAP FOR ELECTRIC BACKREST

**Storm 3**



Customer :  
 Customer No. :  
 Phone :

Contact :  
 Commission :  
 Serial No. :



Item	Qty	Part-No.	Part-Designation
-	1	SP1425860	CLOTHING PROTECTOR PAIR SLIDING ARMREST SB=39CM
-	1	SP1428095	CLOTHING PROTECTOR PAIR SLIDING ARMREST SB>39CM
1	2	1415027	CLAMP LEVER M6 X 25
2	4		COUNTERSUNK SOCKET HEAD SCREW M6 X 16
3	2		SIDE PART RECEPTACLE
4	2	1421720-0002	GROVE PLATE
5	1	1422115-9005	SIDE PART RECEPTACLE LH SB=39CM
5	1	1422097-9005	SIDE PART RECEPTACLE LH SB>39CM
6	1	1422114-9005	SIDE PART RECEPTACLE RH SB=39CM
6	1	1422089-9005	SIDE PART RECEPTACLE RH SB=39CM
7	2		SIDE PANEL PLATE CPL. SLIDING ARMREST
-	2		ADHESIVE LABEL "STOP"

**Storm 3**

