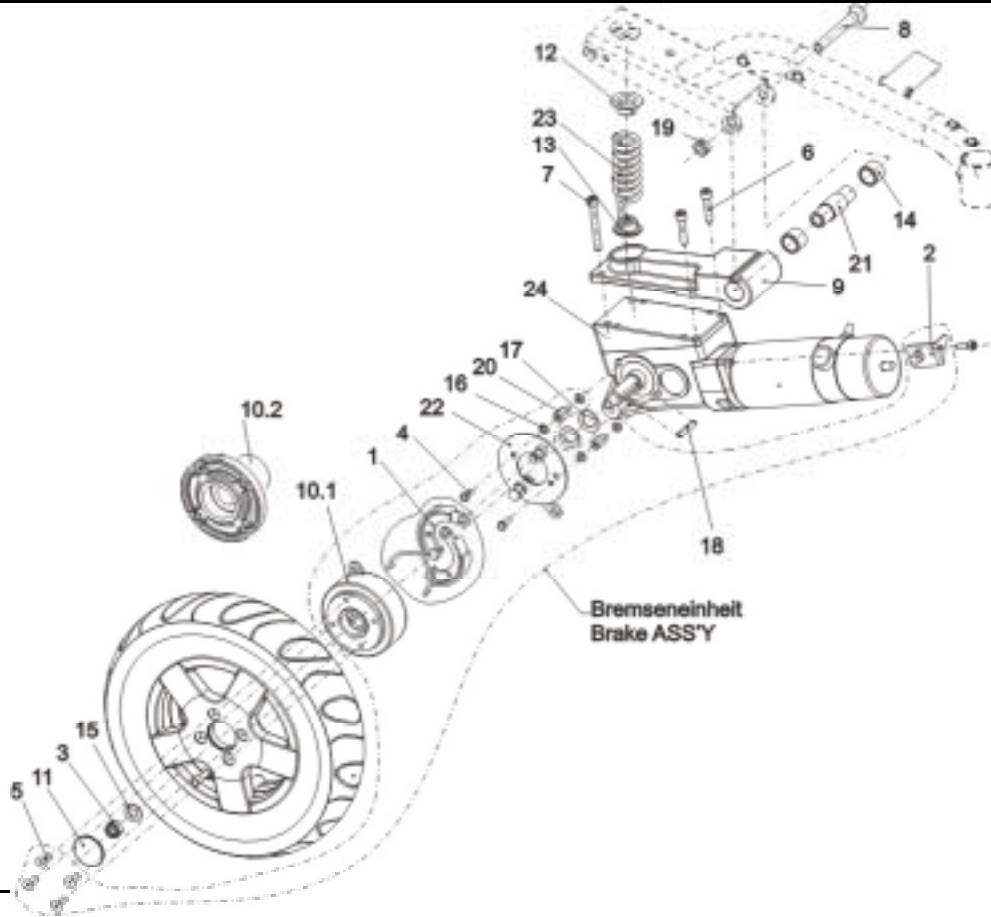


Customer :
 Customer No. :
 Phone :

Contact :
 Commission :
 Serial No. :



Item	Qty	Part-No.	Part-Designation
-	1	SP1421805	DRIVE UNIT, 6 KM/H RH CPL. (WITHOUT BRAKE)
-	1	SP1421803	DRIVE UNIT, 6 KM/H RH CPL. (WITH BRAKE)
-	1	SP1421809	DRIVE UNIT, 10 KM/H RH CPL. (WITHOUT BRAKE)
-	1	SP1421807	DRIVE UNIT, 10 KM/H RH CPL. (WITH BRAKE)
-	1	SP1421813	DRIVE UNIT, 12 KM/H RH CPL. (WITHOUT BRAKE)
-	1	SP1421811	DRIVE UNIT, 12 KM/H RH CPL. (WITH BRAKE)
-	1	SP1423186	DRIVE UNIT ASSEMBLY KIT, CPL.
8	1	1418519	SCREW M12 X 100, DIN 7991
19	1	1418520-0003	NUT M12
1	2	M30985	BRAKE SHOE 90X18 (ANELLI)
2	1	1421654-0003	HOLDER-UP RH
-	1	SP1423443	WHEEL ASSEMBLY KIT 3.00-8"
3	1		NYLOC NUT M12 X 1,5
5	4		SCREW M8 X 35 TORX DIN 7991
11	1		CAP WITH "INVACARE" LOGO
15	1		WASHER 13 X 24 X 2,5
4	2		HEX HEAD SCREW M6 X 10
6	2	1419287	SCREW M8 X 35 PB, DIN 912
7	2	1419288	SCREW M8 X 65 PB, DIN 912
9	1	1415192	ROCKER BLOCK
10.1	1	1415171	WHEEL HUB FOR BRAKE
10.2	1	1415172	WHEEL HUB STD.
14	2		SINTERED METAL BUSH
16	4		WASHER 6,4 X 12,5 X 1,6
17	2	1423164-0002	WASHER 19 MM WITH CUTOUT FOR FEATHER KEY

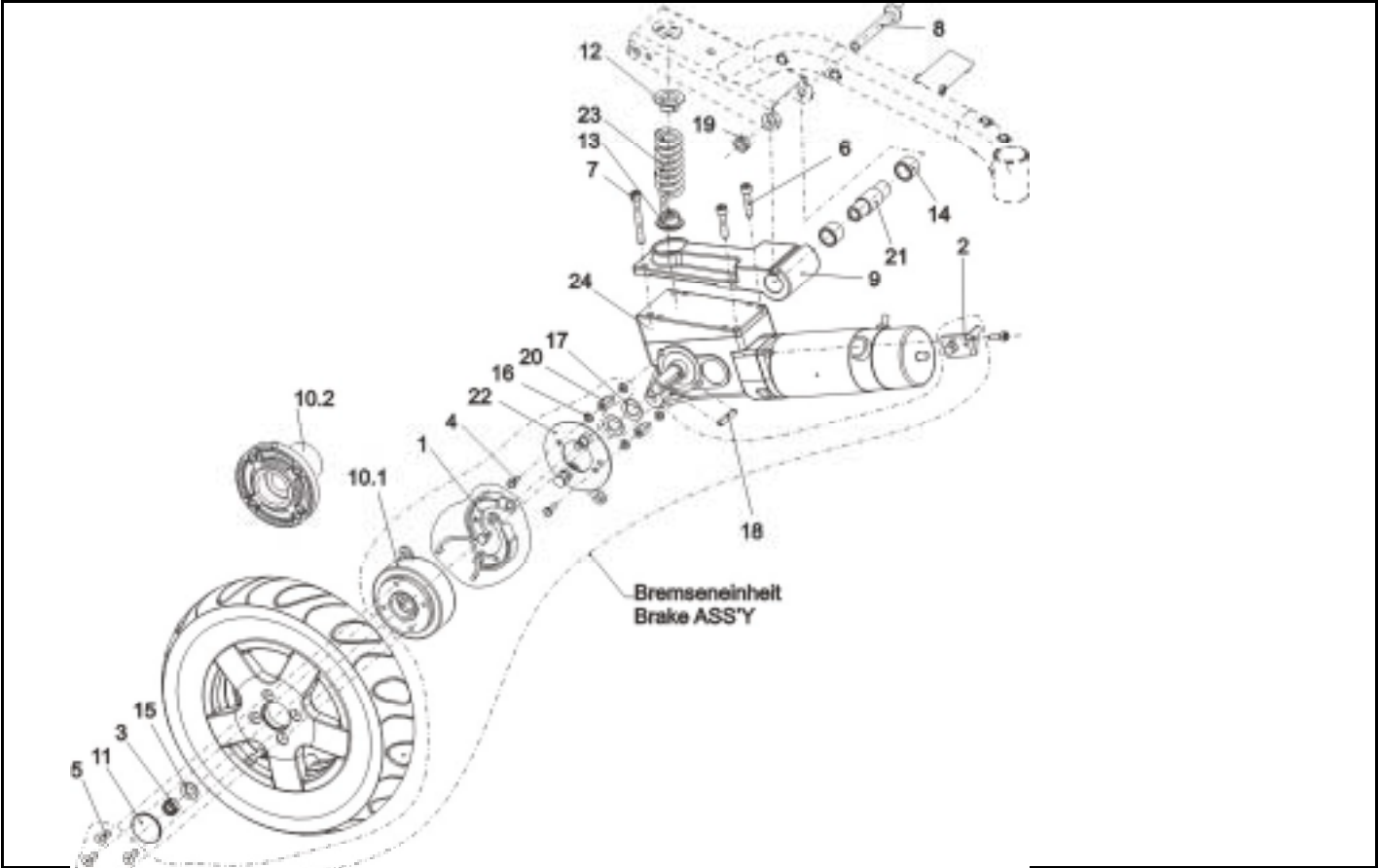
Storm 3



Release
 07 / 2004
 Chapter 2
 Sheet 1

Customer :
 Customer No. :
 Phone :

Contact :
 Commission :
 Serial No. :



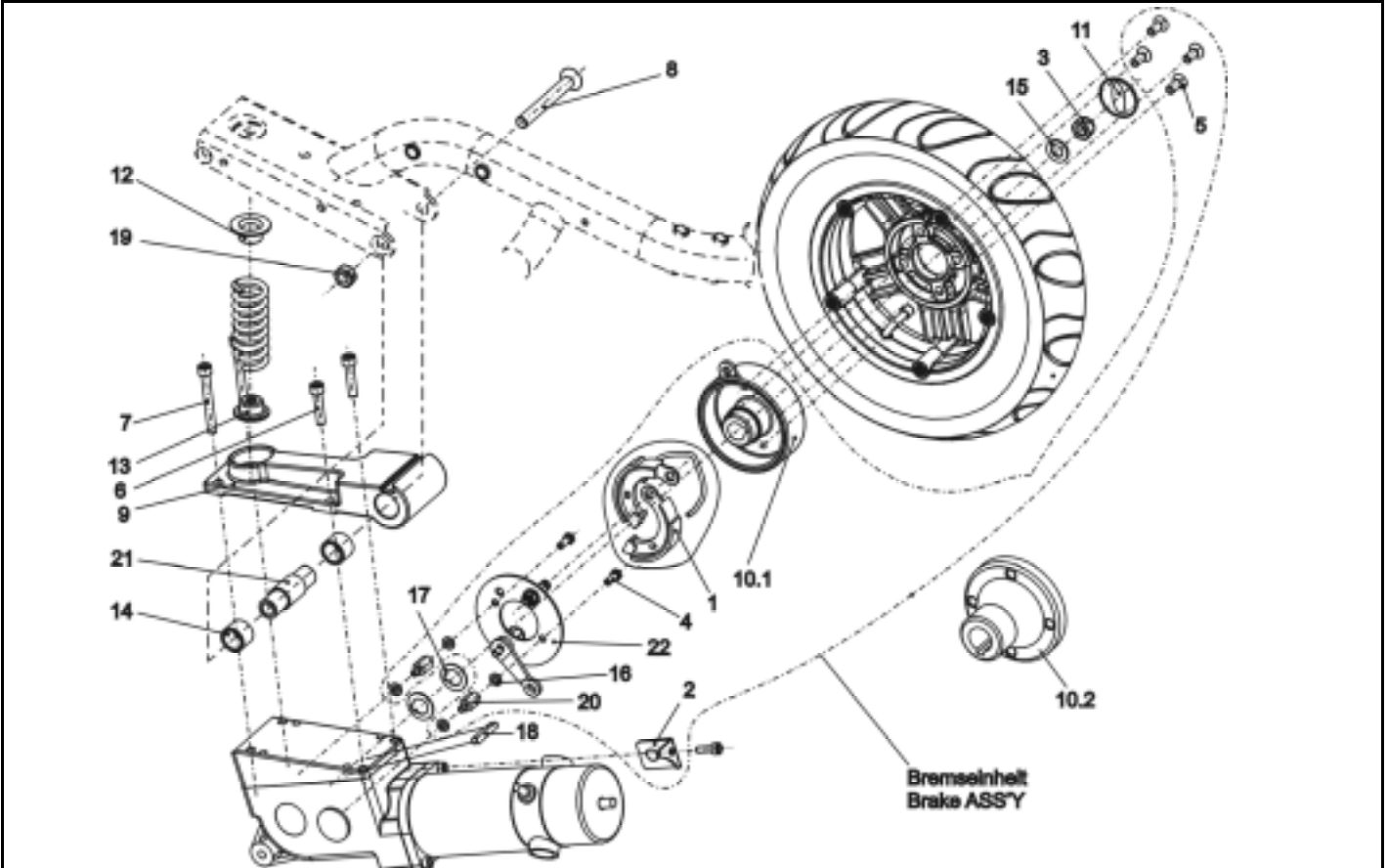
Item	Qty	Part-No.	Part-Designation
18	1	N23004	WOODRUFF KEY A 6 X 6 X 40
20	2		HEXAGON SPACER
21	1		SHAFT
22	1	SP1415066	PRE-ASSEMBLED BRAKE BACKING PLATE RH
-	1	SP1423441	SPRING SET "HARD"
12	2		SPRING PLATE
13	2		MOUNTING AID
23	2		COMPRESSION SPRING "HARD"
-	1	SP1423442	SPRING SET "SOFT"
23	2		COMPRESSION SPRING, SOFT
13	2		MOUNTING AID
23	2		COMPRESSION SPRING, SOFT
24	1	1422898	DRIVE UNIT 6 KM/H RH
24	1	1422900	DRIVE UNIT 10 KM/H RH
24	1	1422902	DRIVE UNIT 12 KM/H RH
-	1	Z131035	BRAKE SPARE PART KIT, RH, FOR P.U. 1061/3 (SCHMID)
-	1	P09292	BRAKE COVER FOR DRIVE UNITS (02 SCHMID)
-	1	SP1423439	CARBON BRUSH SET (SCHMID)
-	2		CARBON BRUSH FOR DRIVE UNITS (02 SCHMID)
-	1	F351007	ACS MOTOR PLUG CPL.
-	1	0511-5016	CLUTCH SPARE PART KIT (SCHMID + RELIANCE)
-	-		Only exchange complete power units during the warranty ...

Storm 3



Customer :
 Customer No. :
 Phone :

Contact :
 Commission :
 Serial No. :



Item	Qty	Part-No.	Part-Designation
-	1	SP1421804	DRIVE UNIT, 6 KM/H LH CPL. (WITHOUT BRAKE)
-	1	SP1421802	DRIVE UNIT, 6 KM/H LH CPL. (WITH BRAKE)
-	1	SP1421808	DRIVE UNIT, 10 KM/H LH CPL. (WITHOUT BRAKE)
-	1	SP1421806	DRIVE UNIT, 10 KM/H LH CPL. (WITH BRAKE)
-	1	SP1421812	DRIVE UNIT, 12 KM/H LH CPL. (WITHOUT BRAKE)
-	1	SP1421810	DRIVE UNIT, 12 KM/H LH CPL. (WITH BRAKE)
-	1	SP1423186	DRIVE UNIT ASSEMBLY KIT, CPL.
8	1	1418519	SCREW M12 X 100, DIN 7991
19	1	1418520-0003	NUT M12
1	2	M30985	BRAKE SHOE 90X18 (ANELLI)
2	1	1421653-0003	HOLDER-UP LH
-	1	SP1423443	WHEEL ASSEMBLY KIT 3.00-8"
3	1		NYLOC NUT M12 X 1,5
5	4		SCREW M8 X 35 TORX DIN 7991
11	1		CAP WITH "INVACARE" LOGO
15	1		WASHER 13 X 24 X 2,5
4	2		HEX HEAD SCREW M6 X 10
6	2	1419287	SCREW M8 X 35 PB, DIN 912
7	2	1419288	SCREW M8 X 65 PB, DIN 912
9	1	1415192	ROCKER BLOCK
10.1	1	1415171	WHEEL HUB FOR BRAKE
10.2	1	1415172	WHEEL HUB STD.
14	2		SINTERED METAL BUSH
16	4		WASHER 6,4 X 12,5 X 1,6
17	2	1423164-0002	WASHER 19 MM WITH CUTOUT FOR FEATHER KEY

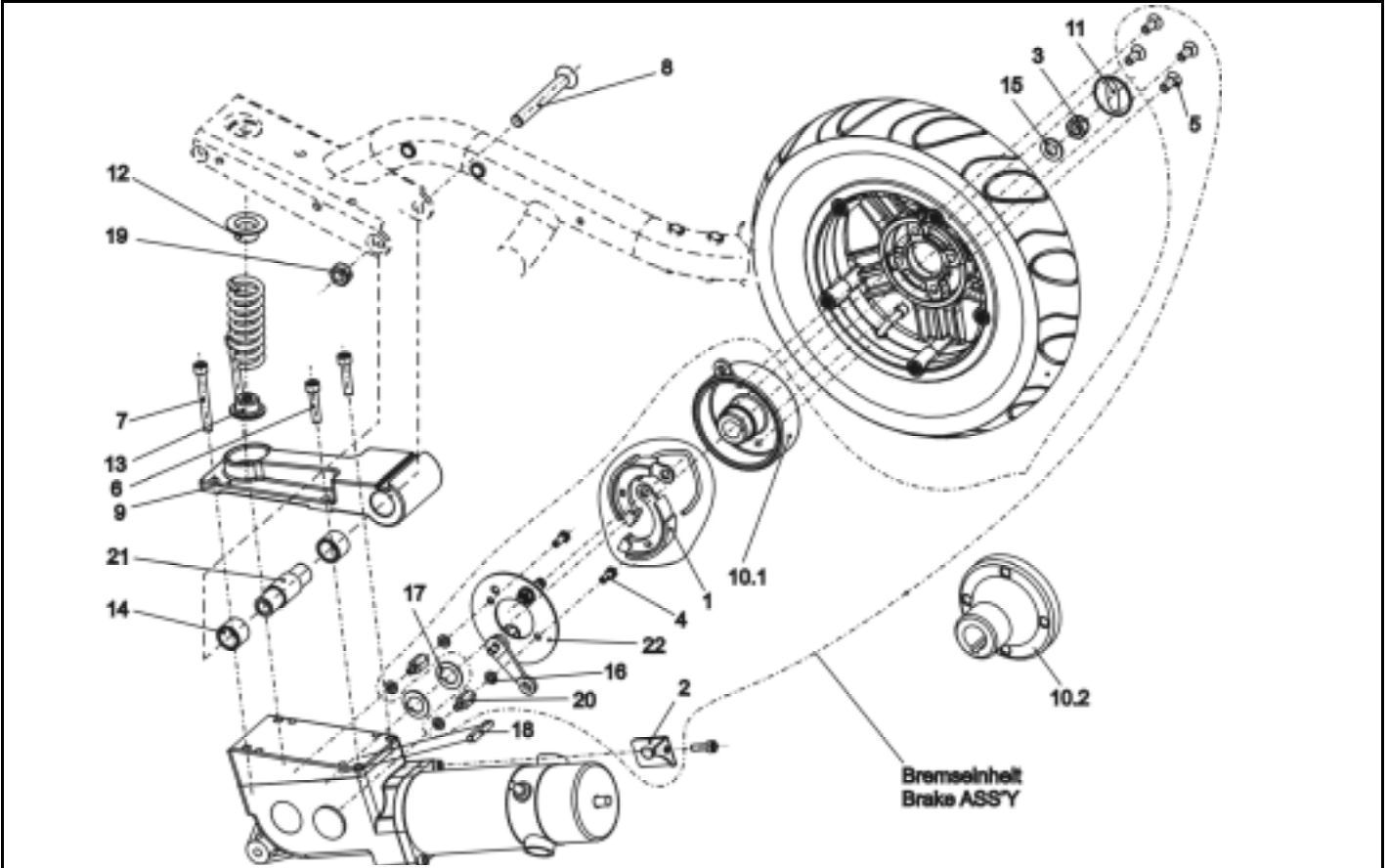
Storm 3



Release
 07 / 2004
 Chapter 2
 Sheet 3

Customer :
 Customer No. :
 Phone :

Contact :
 Commission :
Serial No. :



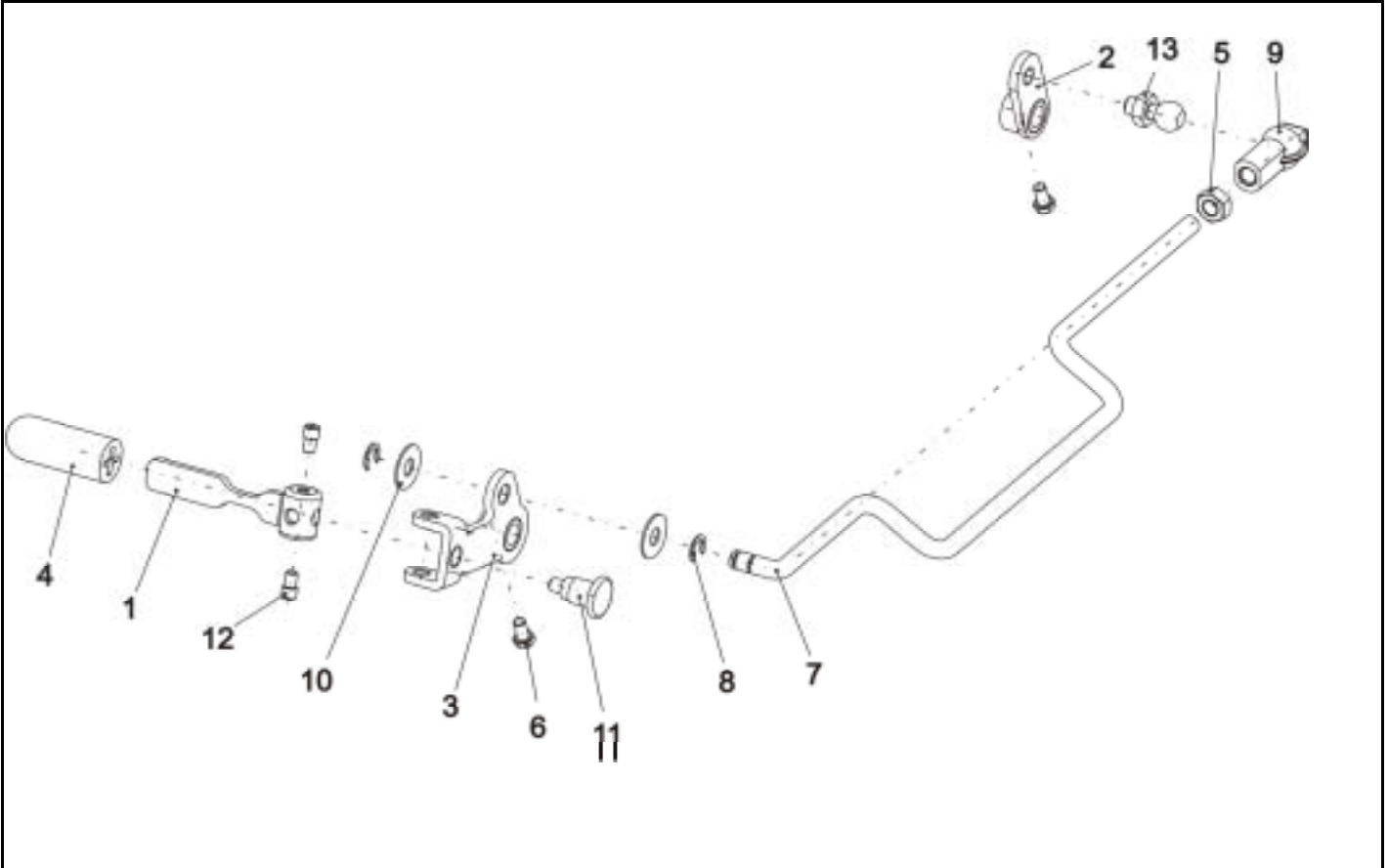
Item	Qty	Part-No.	Part-Designation
18	1	N23004	WOODRUFF KEY A 6 X 6 X 40
20	2		HEXAGON SPACER
21	1		SHAFT
22	1	SP1415067	PRE-ASSEMBLED BRAKE BACKING PLATE LH
-	1	SP1423441	SPRING SET "HARD"
12	2		SPRING PLATE
13	2		MOUNTING AID
23	2		COMPRESSION SPRING "HARD"
-	1	SP1423442	SPRING SET "SOFT"
12	2		SPRING PLATE
13	2		MOUNTING AID
23	2		COMPRESSION SPRING, SOFT
24	1	1422899	DRIVE UNIT 6 KM/H LH
24	1	1422901	DRIVE UNIT 10 KM/H LH
24	1	1422903	DRIVE UNIT 12 KM/H LH
-	1	Z131034	BRAKE SPARE PART KIT, LH, FOR P.U. 1062/4 (SCHMID)
-	1	SP1423439	CARBON BRUSH SET (SCHMID)
-	2		CARBON BRUSH FOR DRIVE UNITS (02 SCHMID)
-	1	P09292	BRAKE COVER FOR DRIVE UNITS (02 SCHMID)
-	1	F351007	ACS MOTOR PLUG CPL.
-	1	SP1421761	SHAFT
14	2		SINTERED METAL BUSH
21	1		SHAFT
-	1	0511-5016	CLUTCH SPARE PART KIT (SCHMID + RELIANCE)
-	-		Only exchange complete power units during the warranty ...

Storm 3



Customer :
 Customer No. :
 Phone :

Contact :
 Commission :
Serial No. :



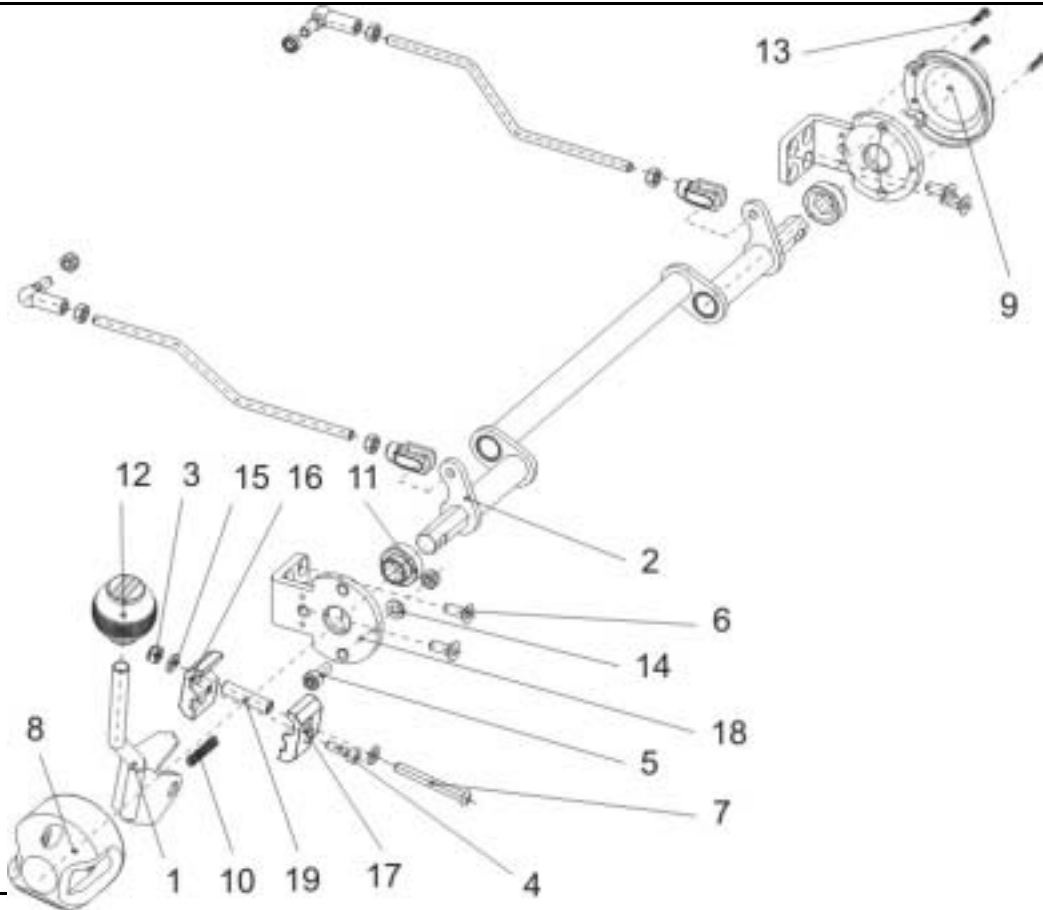
Item	Qty	Part-No.	Part-Designation
-	1	1420009	DECOUPLING MECHANISM, CPL.
1	1		BRAKE LEVER ASSY
2	1		BRAKE LEVER 2
3	1		BRAKE LEVER 1
4	1	5007791	KNOB; BLACK
5	1		HEX NUT M8
6	2		HEX HEAD SCREW M5 X 10
7	1		CLUTCH ROD
8	2		C' CLIP DIAMETER 7-9 MM
9	1	5816488	BALL SEAT
10	2		WASHER 20 X 7,9 X 1
11	1		PULL-LATCH SMALL
12	2	1420014	SHANK SCREW
13	1		BALL END

Storm 3



Customer :
 Customer No. :
 Phone :

Contact :
 Commission :
 Serial No. :



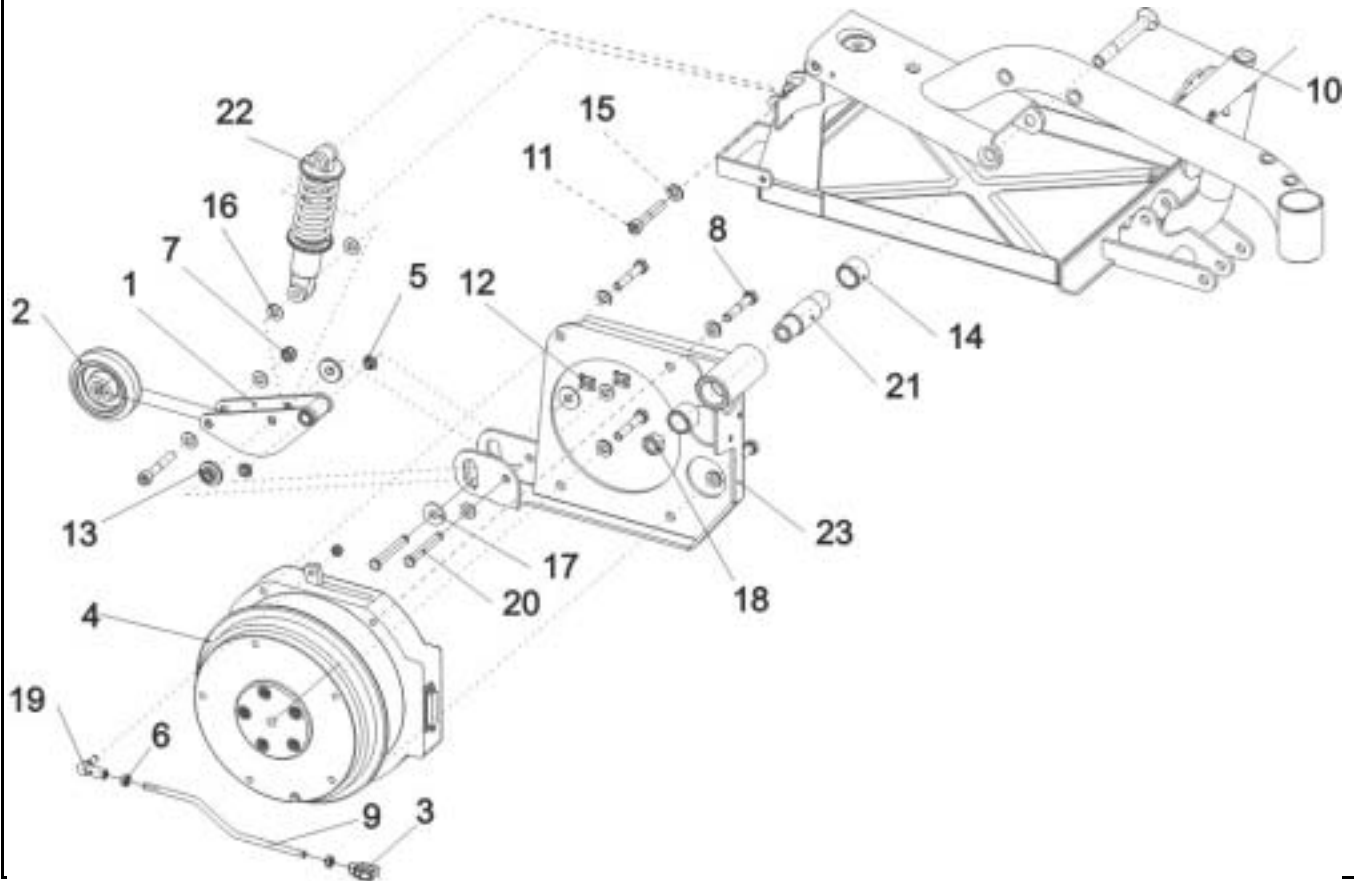
Item	Qty	Part-No.	Part-Designation
-	-		ONLY FOR STORM³ TRUE TRACK DISENGAGER TRUE TRACK CPL.
-	1	SP1431810	
1	1		ENGAGING LEVER
2	1		ROTARY SHAFT
3	1		NYLOC NUT M6
4	1		SOCKET HEAD CAP SCREW M5 X 16
5	1		SOCKET HEAD CAP SCREW M6 X 16
6	4		COUNTERSUNK SOCKET HEAD SCREW M6 X 16
7	1		DIN 7380 M6x50 10.9 I-6Kt CHEESE HEAD SCREW
8	1	1430163	CAP 1 FOR CLUTCH MECHANISM
9	1	1430164	CAP 2 FOR CLUTCH MECHANISM
10	1		COMPRESSION SPRING
11	2	1430406	BUSHING
12	1	1430147	HANDLE KNOB
13	3	H90993	CLIP 3,0 MM
14	1		WASHER 6,4 X 12,5 X 1,6
15	2		WASHER 6,4 X 12,5 X 1,6
16	1		CLAMP SIDE 1
17	1		CLAMP SIDE 2
18	2		BEARING PLATE ROCKER
19	1		BEARING TUBE

Storm 3



Customer :
 Customer No. :
 Phone :

Contact :
 Commission :
 Serial No. :



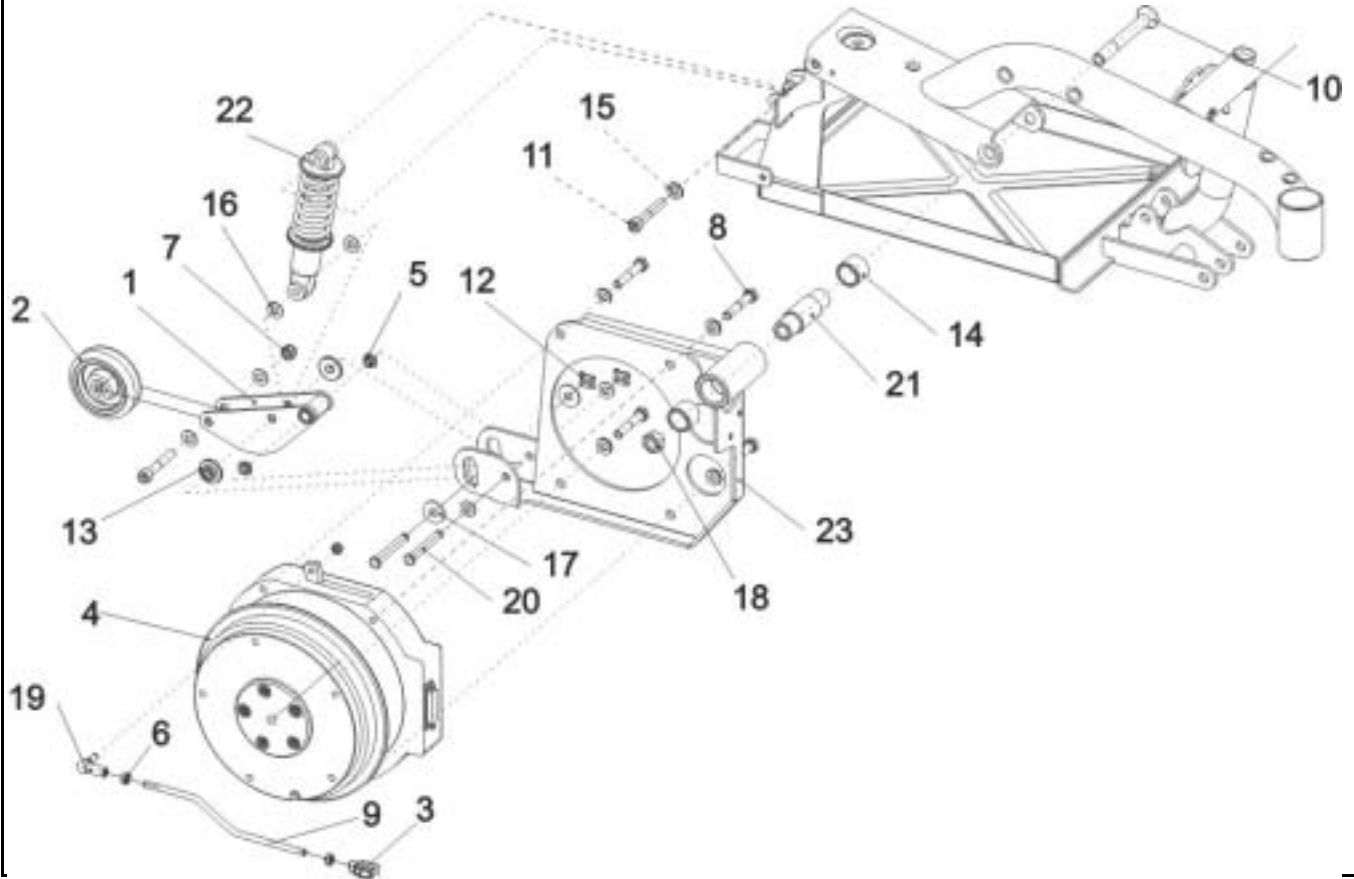
Item	Qty	Part-No.	Part-Designation
-	-		ONLY FOR STORM³ TRUE TRACK
-	1		DRIVE UNIT GEARLESS MOTORS CPL.
2	1	SP1428929	SUPPORT WHEEL
3	1		KNUCKLE JOINT
4	1	1433561	MOTOR GEARLESS LH
4	1	1433562	MOTOR GEARLESS RH
5	2	N02188	BUSH BB 0806 DU
6	3	F00103	HEX NUT M6
7	1	F00002	NYLOC NUT M8
8	4	D00102	AXLE BOLT M8 X 45
9	1		PUSH BAR
10	1	1418519	SCREW M12 X 100, DIN 7991
11	2		BOLT M8x50 DIN912
12	2		SL-LOCK 8MM
13	2		BUSH
15	5	5829220	NORD-LOCK WASHER 8 MM
16	6	G00107	WASHER 8,4 X 17 X 1,6
17	2	G10103	WASHER 8,4 X 25 X 2 DIN 9021
18	1	1418520-0003	NUT M12
19	1		ANGLE JOINT M6 R
20	2		BOLT
22	1	1428928	SHOCK ABSORBER DV-22-165
23	1		CRANK RH
-	1		CRANK LH
14+21	1	SP1421761	SHAFT

Storm 3



Customer :
 Customer No. :
 Phone :

Contact :
 Commission :
 Serial No. :



Item	Qty	Part-No.	Part-Designation
-	-		ONLY FOR STORM³ TRUE TRACK
-	1	SP1428930	CRANK RH CPL.
23	1		CRANK RH
21	1		SHAFT
14	2		SINTERED METAL BUSH
-	1	SP1422840	CRANK LH CPL.
-	1		CRANK LH
21	1		SHAFT
14	2		SINTERED METAL BUSH
-	1	SP1429557	ANTI-TIP HOLDER AND WHEEL CPL.
1	1		TIP WHEEL HOLDER
2	1		ANTI-TIPPER
5	2		BUSH BB 0806 DU
7	1		NYLOC NUT M8
11	1		BOLT M8x50 DIN912
12	2		SL-LOCK 8MM
13	2		BUSH
15	2		NORD-LOCK WASHER 8 MM
16	2		WASHER 8,4 X 17 X 1,6
17	2		WASHER 8,4 X 25 X 2 DIN 9021
20	2		BOLT

Storm 3

