

Spare Parts Catalogue

Version: 2010/08/19a EN



Invacare® **STORM³**



Yes, you can.[®]

General Information

For any order of spare parts the following information is required:

- Product type*
- Product name & model*
- Serial Number*
- Part-Number*
- Part-Description*

Exploded view drawings and code numbers are not contractual and subject to modification, in relation to Invacare[®] continuous product improvement policy to meet end users needs.

The reproduction or use of this work, or of any substantial part of this work, in any form or by any electronic, mechanical or other means, including photocopying, scanning and recording, and in any information storage and retrieval system, including electronic transmission, is forbidden without the prior written permission of Invacare[®] International Sarl.



Yes, you can.®

TABLE OF CONTENTS

Information

User Manuals Storm3	7
User Manuals REM550	8
User Manuals REM24SD	9
User Manuals REM24SC	10
User Manuals Shark2	11
User Manuals Shark	12
User Manuals IDC Dual Control	13
User Manuals Miscellaneous	14

Chassis

Chassis	15
Chassis without Lifter	16
Lifter	17
Shrouds	18
Crash Kit	19

Seat

Seat Support/ Plate	20
Mounting kit seat plate	21
Seat Angle Adjustment Manual	22
Seat Angle Adjustment electrical	23
Seat adjustment (without lifter)	24
Seat Height Adjustment Manual	25
Seat Height Adjustment electrical	26
Seat Cushion	27
RECARO-Seat	28
Seat Cushions Arne Jensen	29

Backrest

Backrest Adjustment, Standard	30
Backrest Adjustment Flex/Contour manual	31
Backrest Adjustment Flex/Contour el.	32
Backrest frame standard	33
Backrest Frame, Contour	34
Backrest Frame, Flex	35
Backrest adjustment Assembly Kit	36
Backrest Upholstery	37
Arne-Jensen Seats	38

Legrests

Leg Support Carrier ==> 06.2005	39
Leg Support Carrier 07.2005 ==>	40
Legrests, central mounted	41
Hanger electrical	42
Hanger Storm ³ -BLU	43
Hanger	44
Vari F+A Detailed ==>06.2005	45
Release unit assembly kit Vari A ==>06.2005	46



Yes, you can.®

TABLE OF CONTENTS

Release unit assembly kit Vari F ==>06.2005	47
ADM + ADP Detailed	48
Release unit assembly kit ADM ==>06.2005	49
Release unit assembly kit ADP ==>06.2005	50
Vari A Hanger RH/LH 07.2005 ==>	51
Vari F Hanger RH/LH 07.2005 ==>	52
ADM Hanger RE/LI (manuell) 07.2005 ==>	53
ADE Hanger RH/LH elektrisch 07.2005 ==>	54
Calf Plate Holder LH/RH 07.2005 ==>	55
Moover Legrests, manually, right and left	56
Moover Legrests electrically, right and left	57

Footrests

Footplate flip up 01.08.10 ==>	58
Footplate flip up, angle-adjustable 01.08.10 ==>	59
Lower Footrests	60
Lower Legrests Detailed	61
Moover Legrests Lower Parts	62

Siderests

Side part receptacles single	63
Side part receptacles complete	64
Side Panels, Standard	65
Side Panels, Standard 01.01.2009 ==>	66
Siderests	67
Euro Side Panels	68
Side Panel for Standard-Seat 08/01/08 ==>	69
Sliding Armrest	70
Knee Support	71
Side Panels for Arne Jensen-Seats	72

Front Wheels

Frontfork	73
Front Wheels	74
Tyres Storm ³ Mini	75

Rear Wheels

Rear Wheels	76
Rear Wheels True Track	77
Wheel Suspension/ Wheels	78
Rear fenders	79
Tyres Storm ³ Mini	75

Propulsion

Driving unit	80
Re-tooling kit suspension TRUE TRACK	82

Brakes

Brakes	83
--------	----



Yes, you can.®

TABLE OF CONTENTS

Decoupling	84
Controls Drive	
Electronic	85
Controls Adjustment	
Keypads Shark2	86
Control Unit/ Joystickbox	87
Remote REM550 & Holder	89
REM 24SC	90
REM 24SD	91
G90 & Holder	92
G91 & Holder	93
IDC Dual Control	94
Chin Control Assembly Kit	95
Chin Control Dash Board	96
Remote fixation, for Attendant Control	97
Dual Control	98
Tray Control	99
Central Steering	100
Remote fixation, for user	101
Control unit holder	102
Cable & Charger	
Electric Support	103
Cable	104
Safety Options	
Front Light	105
Rear Lights	106
Fixation Belts	107
Seating Options	
Headrest	108
Trunk Support	110
Other Options & Accessories	
Tray	111
Kerb Climber	112
Docking station Storm ³	113
Fixation docking station Storm ³	114
Options	115

CS ČESKY	FR FRANÇAIS	PL POLSKI
DA DANSK	HR HRVATSKI	PT PORTUGUÊS
DE DEUTSCH	HU MAGYAR	SK SLOVENČINA
EN ENGLISH	IT ITALIANO	SL SLOVENŠČINA
ES ESPAÑOL	LT LIETUVIŲ KALBA	SV SVENSKA
ET EESTI KEEL	NL NEDERLANDS	RO ROMÂNĂ
FI SUOMEN KIELI	NO NORSK	JA 日本語

Pos.	Part number	Description	Valid from → until	Qty
	DE 1418467	User Manual Storm³ German		1
	EN 1421740	User Manual Storm³ English		1
	FR 1421742	User Manual Storm³ French		1
	DA 1421743	User Manual Storm³ Danish		1
	NL 1421745	User Manual Storm³ Dutch		1
	FI 1421746	User Manual Storm³ Finnish		1
	IT 1421747	User Manual Storm³ Italian		1
	NO 1421748	User Manual Storm³ Norwegian		1
	PT 1421749	User Manual Storm³ Portuguese		1
	ES 1421750	User Manual Storm³ Spanish		1
	SV 1421751	User Manual Storm³ Swedish		1
	HU 1451533	User Manual Storm³ Hungarian		1
	PL 1451534	User Manual Storm³ Polish		1
	SL 1451535	User Manual Storm³ Slovenian		1
	HU 1451564	User Manual Storm³ Euro Hungarian		1
	ES 1488570	User Manual Storm³ Czech		1
	ET 1510336	User Manual Storm³ Euro Estonian		1
	LT 1522407	User Manual Storm³ Lithuanian		1

User Manuals REM550

CS	ČESKY	FR	FRANÇAIS	PL	POLSKI
DA	DANSK	HR	HRVATSKI	PT	PORTUGUÊS
DE	DEUTSCH	HU	MAGYAR	SK	SLOVENČINA
EN	ENGLISH	IT	ITALIANO	SL	SLOVENŠČINA
ES	ESPAÑOL	LT	LIETUVIŲ KALBA	SV	SVENSKA
ET	EESTI KEEL	NL	NEDERLANDS	RO	ROMÂNĂ
FI	SUOMEN KIELI	NO	NORSK	JA	日本語

Pos.	Part number	Description	Valid from → until	Qty
DA	1528088	User Manual REM550 Danish		1
DE	1528089	User Manual REM550 German		1
ES	1528091	User Manual REM550 Spanish		1
FI	1528092	User Manual REM550 Finsk		1
FR	1528093	User Manual REM550 French		1
IT	1528094	User Manual REM550 Italiano		1
NL	1528095	User Manual REM550 Dutch		1
NO	1528096	User Manual REM550 Norsk		1
PT	1528097	User Manual REM550 Portuguese		1
SV	1528098	User Manual REM550 Swedish		1

CS ČESKY	FR FRANÇAIS	PL POLSKI
DA DANSK	HR HRVATSKI	PT PORTUGUÊS
DE DEUTSCH	HU MAGYAR	SK SLOVENČINA
EN ENGLISH	IT ITALIANO	SL SLOVENŠČINA
ES ESPAÑOL	LT LIETUVIŲ KALBA	SV SVENSKA
ET EESTI KEEL	NL NEDERLANDS	RO ROMÂNĂ
FI SUOMEN KIELI	NO NORSK	JA 日本語

Pos.	Part number	Description	Valid from → until	Qty
DE	1436142	User Manual REM24SD German		1
FR	1436143	User Manual REM24SD French		1
EN	1436144	User Manual REM24SD English		1
SV	1436145	User Manual REM24SD Swedish		1
DA	1436146	User Manual REM24SD Danish		1
NO	1436147	User Manual REM24SD Norwegian		1
NL	1436148	User Manual REM24SD Dutch		1
ES	1436149	User Manual REM24SD Spanish		1
PT	1436150	User Manual REM24SD Portuguese		1
IT	1436385	User Manual REM24SD Italian		1
FI	1436386	User Manual REM24SD Finnish		1

User Manuals REM24SC

CS	ČESKY	FR	FRANÇAIS	PL	POLSKI
DA	DANSK	HR	HRVATSKI	PT	PORTUGUÊS
DE	DEUTSCH	HU	MAGYAR	SK	SLOVENČINA
EN	ENGLISH	IT	ITALIANO	SL	SLOVENŠČINA
ES	ESPAÑOL	LT	LIETUVIŲ KALBA	SV	SVENSKA
ET	EESTI KEEL	NL	NEDERLANDS	RO	ROMÂNĂ
FI	SUOMEN KIELI	NO	NORSK	JA	日本語

Pos.	Part number	Description	Valid from → until	Qty
	FI 1418457	USER MANUAL REM 24 SC FINNISH		1
	DE 1419309	PROGRAMMER INSTRUCTIONS REM 24 SC GERMANY		1
	EN 1419310	PROGRAMMER INSTRUCTIONS REM 24 SC ENGLISH		1
	FR 1419311	PROGRAMMER INSTRUCTIONS REM 24 SC FRENCH		1
	NL 1419312	PROGRAMMER INSTRUCTIONS REM 24 SC DUTCH		1
	DE Z192022	USER MANUAL REM 24 SC GERMAN		1
	FR Z192024	USER MANUAL REM 24 SC FRENCH		1
	NO Z192034	USER MANUAL REM 24 SC NORWEGIAN		1

CS ČESKY	FR FRANÇAIS	PL POLSKI
DA DANSK	HR HRVATSKI	PT PORTUGUÊS
DE DEUTSCH	HU MAGYAR	SK SLOVENČINA
EN ENGLISH	IT ITALIANO	SL SLOVENŠČINA
ES ESPAÑOL	LT LIETUVIŲ KALBA	SV SVENSKA
ET EESTI KEEL	NL NEDERLANDS	RO ROMÂNĂ
FI SUOMEN KIELI	NO NORSK	JA 日本語

Pos.	Part number	Description	Valid from → until	Qty
DE	1451346	User Manual Shark II German		1
FR	1451347	User Manual Shark II French		1
SV	1451348	User Manual Shark II Swedish		1
DA	1451349	User Manual Shark II Danish		1
NO	1451350	User Manual Shark II Norwegian		1
NL	1451351	User Manual Shark II Dutch		1
ES	1451352	User Manual Shark II Spanish		1
PT	1451353	User Manual Shark II Portuguese		1
IT	1451354	User Manual Shark II Italian		1
FI	1451355	User Manual Shark II Finnish		1
EN	1451356	User Manual Shark II English		1
SL	1451584	User Manual Shark II Slovenian		1

User Manuals Shark

CS	ČESKY	FR	FRANÇAIS	PL	POLSKI
DA	DANSK	HR	HRVATSKI	PT	PORTUGUÊS
DE	DEUTSCH	HU	MAGYAR	SK	SLOVENČINA
EN	ENGLISH	IT	ITALIANO	SL	SLOVENŠČINA
ES	ESPAÑOL	LT	LIETUVIŲ KALBA	SV	SVENSKA
ET	EESTI KEEL	NL	NEDERLANDS	RO	ROMÂNĂ
FI	SUOMEN KIELI	NO	NORSK	JA	日本語

Pos.	Part number	Description	Valid from → until	Qty
NL	1436157	User Manual Shark Dutch		1
SV	1436154	User Manual Shark Swedish		1
ES	1436158	User Manual Shark Spanish		1
DE	1436151	User Manual Shark German		1
IT	1436383	User Manual Shark Italian		1
PT	1436159	User Manual Shark Portuguese		1
DA	1436155	User Manual Shark Danish		1
FI	1436384	User Manual Shark Finnish		1
EN	1436153	User Manual Shark English		1
NO	1436156	User Manual Shark Norwegian		1
FR	1436152	User Manual Shark French		1
1	1436151	User Manual Shark German		1
2	1436153	User Manual Shark English		1
4	1436157	User Manual Shark Dutch		1
5	1436158	User Manual Shark Spanish		1
6	1436159	User Manual Shark Portuguese		1
9	1436156	User Manual Shark Norwegian		1
10	1436155	User Manual Shark Danish		1
11	1436383	User Manual Shark Italian		1
8	1436154	User Manual Shark Swedish		1

User Manuals IDC Dual Control

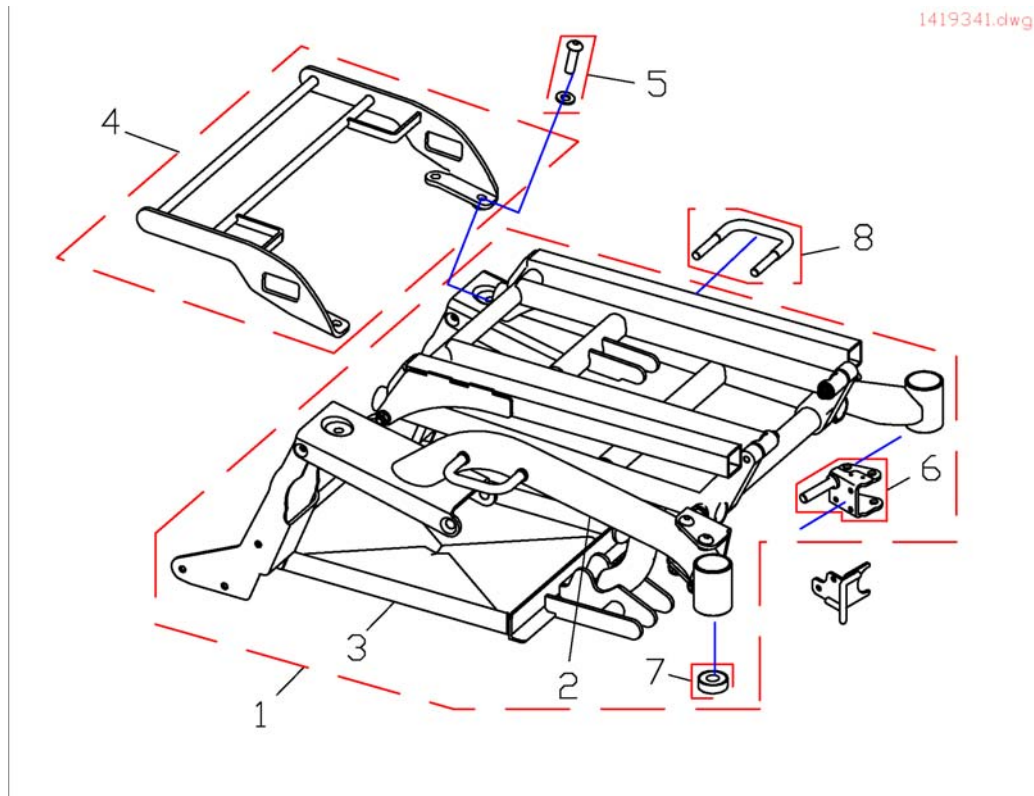
CS	ČESKY	FR	FRANÇAIS	PL	POLSKI
DA	DANSK	HR	HRVATSKI	PT	PORTUGUÊS
DE	DEUTSCH	HU	MAGYAR	SK	SLOVENČINA
EN	ENGLISH	IT	ITALIANO	SL	SLOVENŠČINA
ES	ESPAÑOL	LT	LIETUVIŲ KALBA	SV	SVENSKA
ET	EESTI KEEL	NL	NEDERLANDS	RO	ROMÂNĂ
FI	SUOMEN KIELI	NO	NORSK	JA	日本語

Pos.	Part number	Description	Valid from → until	Qty
DE	1521480	User Manual Dual-Control German		1
EN	1521481	User Manual Dual-Control English		1
FR	1521482	User Manual Dual-Control French		1
NL	1521483	User Manual Dual-Control Dutch		1
NO	1521484	User Manual Dual-Control Norwegian		1
SV	1521485	User Manual Dual-Control Swedish		1
DA	1521486	User Manual Dual-Control Danish		1
IT	1522252	User Manual Dual-Control Italian		1
PT	1522254	User Manual Dual-Control Portuguese		1
ES	1522255	User Manual Dual-Control Spanish		1

User Manuals Miscellaneous

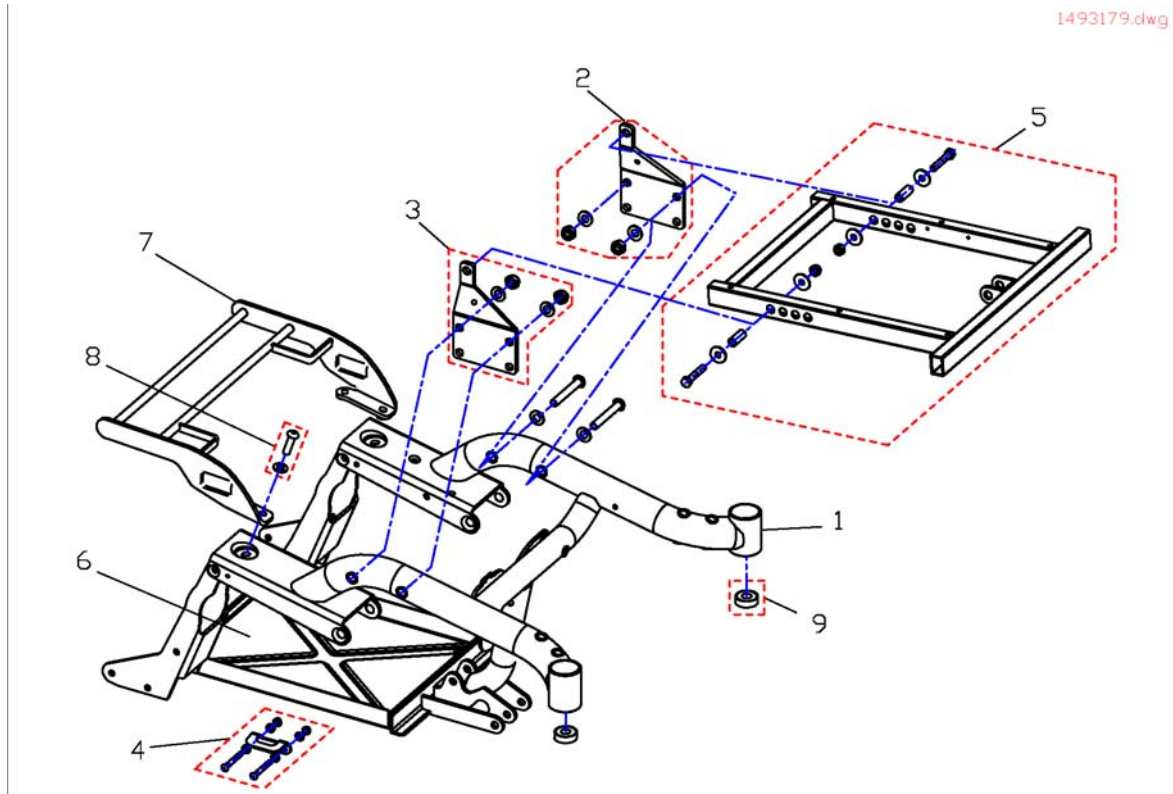
CS	ČESKY	FR	FRANÇAIS	PL	POLSKI
DA	DANSK	HR	HRVATSKI	PT	PORTUGUÊS
DE	DEUTSCH	HU	MAGYAR	SK	SLOVENČINA
EN	ENGLISH	IT	ITALIANO	SL	SLOVENŠČINA
ES	ESPAÑOL	LT	LIETUVIŲ KALBA	SV	SVENSKA
ET	EESTI KEEL	NL	NEDERLANDS	RO	ROMÂNĂ
FI	SUOMEN KIELI	NO	NORSK	JA	日本語

Pos.	Part number	Description	Valid from → until	Qty
DE	1419316	User Manual Handheld Programmer German		1
EN	1419317	User Manual Handheld Programmer English		1
DE	Q99081	User Manual Table- & Middle Control REM41-S German		1
FR	Q99082	User Manual Chin Control, French		1
DE	Q99083	User Manual Chin Control, German		1
ED	Q99086	User Manual Chin Control, English		1

Chassis

Pos.	Part number	Description	Valid from → until	Qty
1	SP1498244	Chassis with lifter and Batterybox, red		1
1	SP1498245	Chassis with Lifter and batterybox for True Track, red		1
1	SP1430338	Chassis x Lifter & Battery Case Blue CPL		1
1	SP1430339	Storm TT Frame Silver		1
1	SP1421681	Chassis silver, cpl.		1
1	SP1428066	Chassis blue, cpl.		1
1	SP1430125	Chassis Storm ³ Euro cpl.		1
2	SP1417949-0221	Chassis, silver metallic, preassembled		1
2	SP1417949-5002	Chassis blue, preassembled		1
2	SP1417949-9006	Chassis silver, preassembled		1
2	1417949-0200	Chassis red, preassembled		1
3	1417955-9005	PREASSEMBLED BATTERY FRAME		1
3	1429335-9005	PREASSEMBLED BATTERY FRAME FOR TRUE TRACK		1
4	SP1421022	LUGGAGE CARRIER CPL. <i>In case of retrofitting a baggage carrier an additional bracket for the rear lights is required. Look at chapter "Safety Options"- Rear Lights</i>		1
5	1440694	FIXING KIT LUGGAGE CARRIER CPL.		1
6	1418544-9005	Bearing Plate RH (black)		1
6	1418547-9005	Bearing Plate LH (black)		1
7	1419254	Angular Ball Bearing 7202B 2Rs		1
8	1488520	Side Fixation cpl. (pair)		1

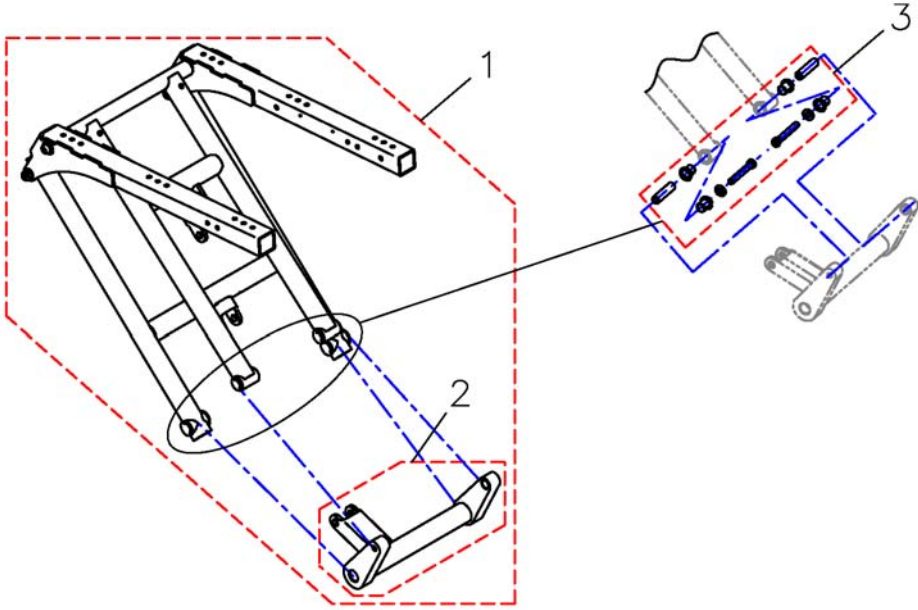
Chassis without Lifter



Pos.	Part number	Description	Valid from → until	Qty
1	SP1417949-0200	Chassis red, preassembled		1
1	SP1417949-5002	Chassis blue, preassembled		1
1	SP1417949-9006	Chassis silver, preassembled		1
1	SP1430125	Chassis Storm³ Euro cpl.		1
2	SP1529430	Bracket Storm³ without Lifter LH (includes Nuts & Bolts)		1
3	SP1529447	Bracket Storm³ without Lifter RH (includes Nuts & Bolts)		1
4	SP1492647	Taxi Fixation cpl.		1
5	SP1529448	Seatframe For Electrical Tilt		1
6	1417955-9005	PREASSEMBLED BATTERY FRAME		1
6	1429335-9005	PREASSEMBLED BATTERY FRAME FOR TRUE TRACK		1
7	SP1421022	LUGGAGE CARRIER CPL.		1
8	1440694	FIXING KIT LUGGAGE CARRIER CPL.		1
9	1419254	Angular Ball Bearing 7202B 2Rs		1

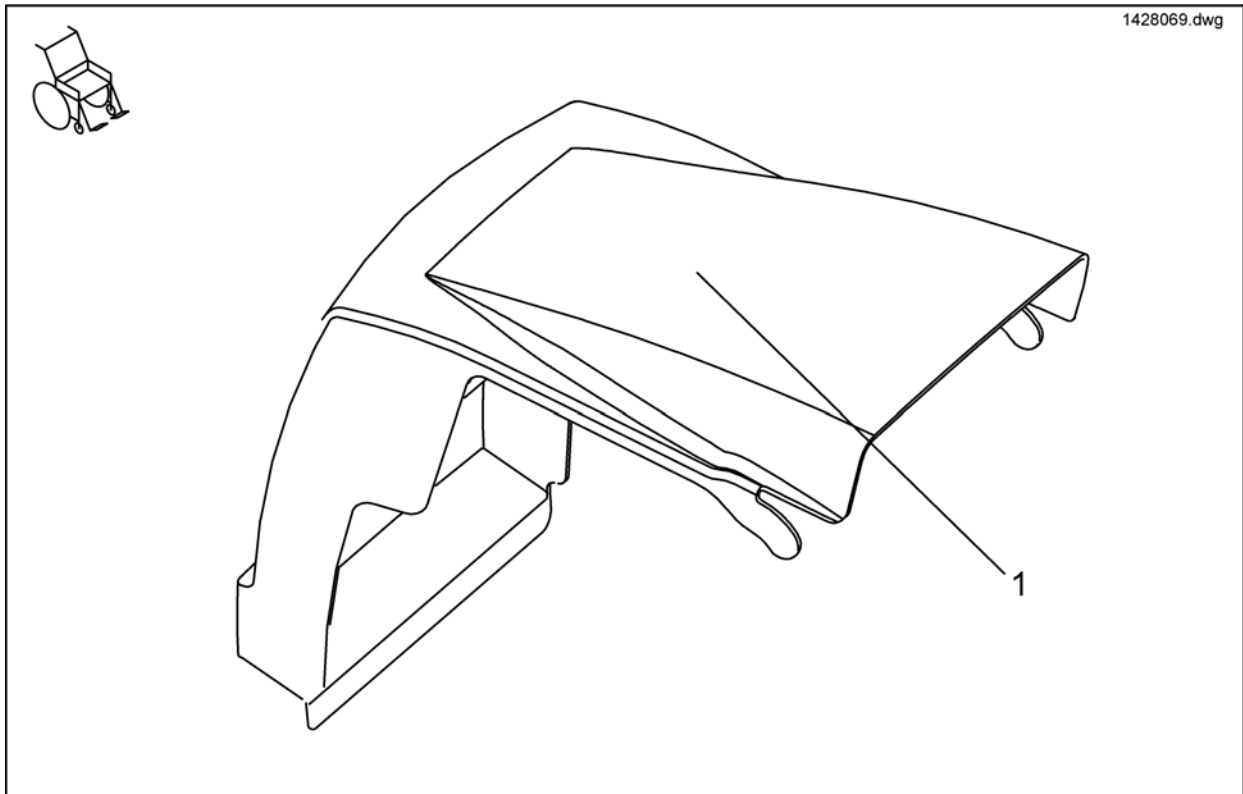
Lifter

1418527.dwg



Pos.	Part number	Description	Valid from → until	Qty
1	1418527	PREASSEMBLED LIFTER UNIT		1
2	1440506	SWIVEL FORK LIFTER WITH BUSHINGS CPL.		1
3	SP1530277	Bushing-Kit		1

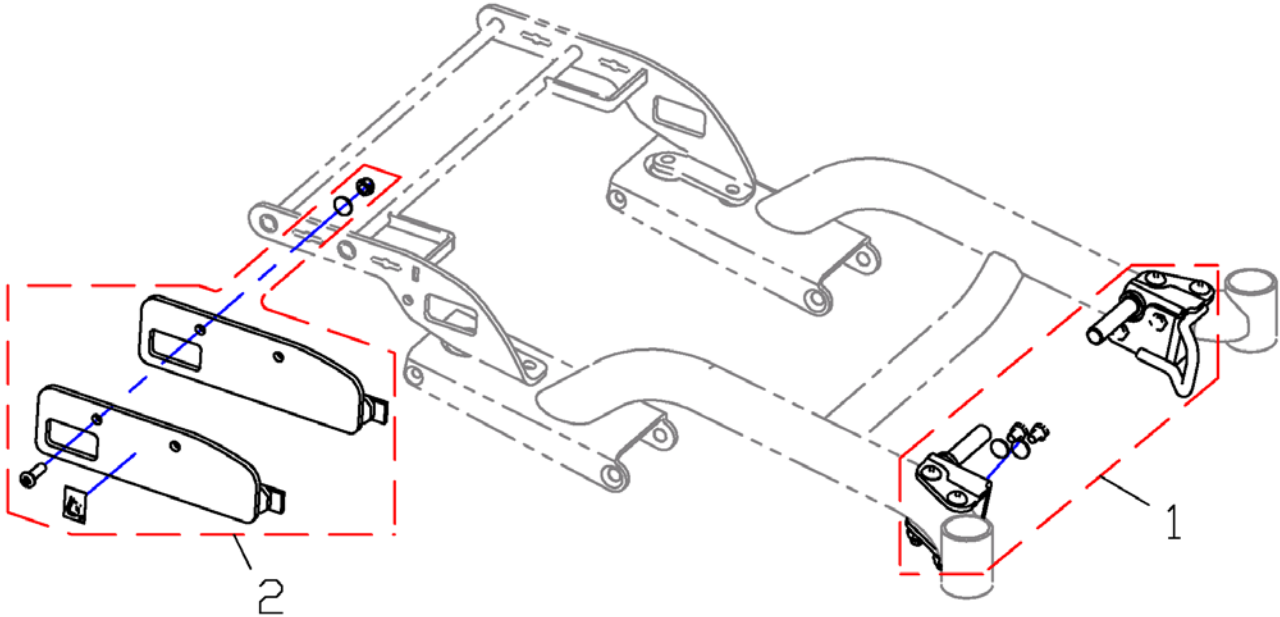
Shrouds



Pos.	Part number	Description	Valid from → until	Qty
1	SP1421846	BATTERY COVER SILVER CPL.		1
1	SP1428068	Batterycover, Blue, painted		1

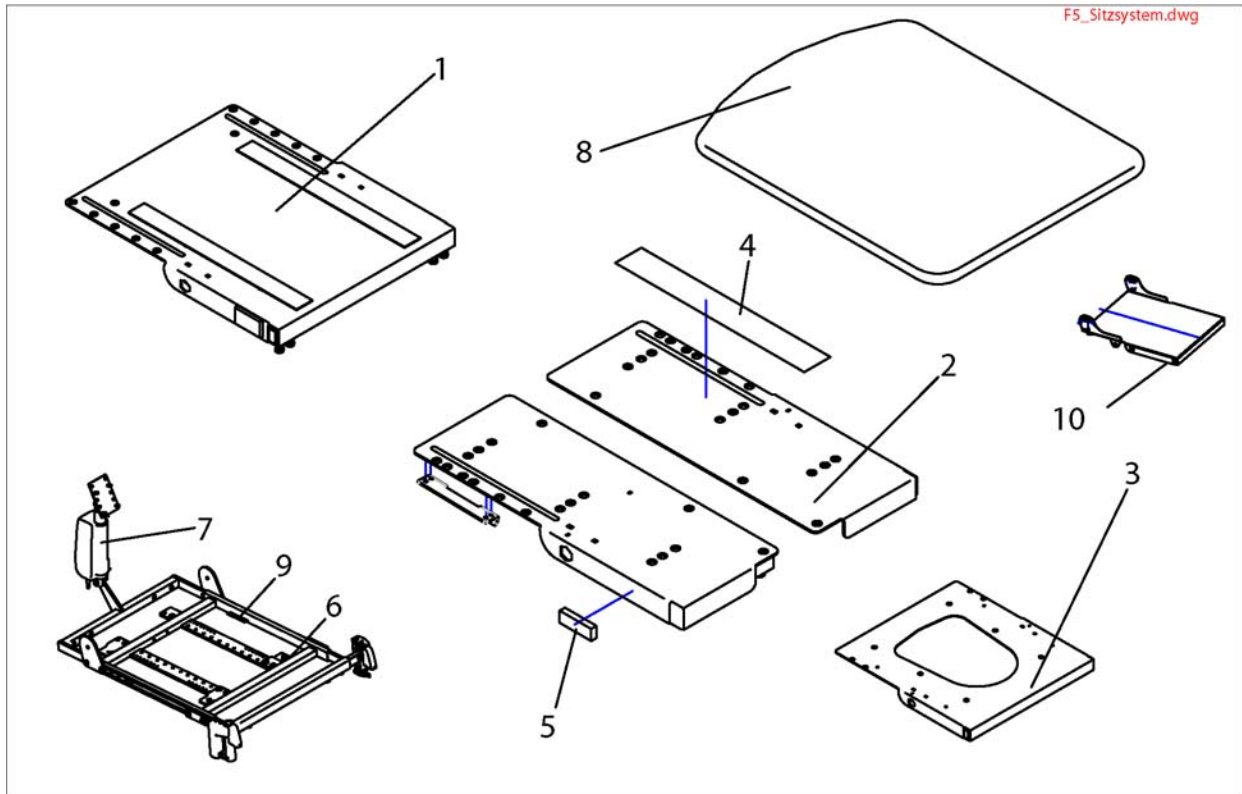
Crash Kit

1430838.dwg



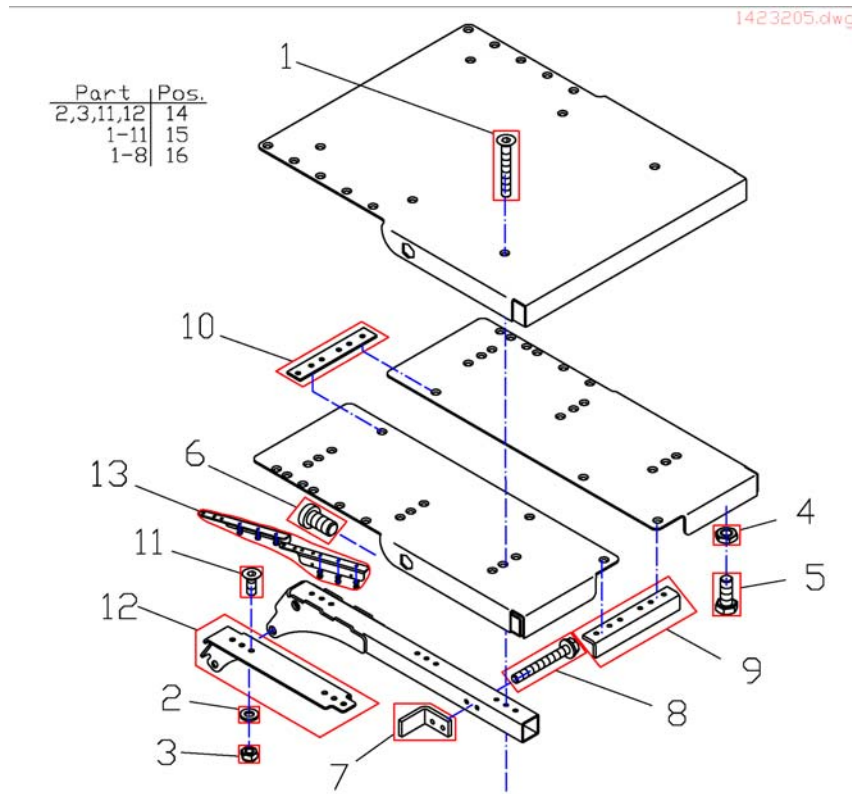
Pos.	Part number	Description	Valid from → until	Qty
1	SP1527343	Tie-Down-Front		1
2	SP1523487	Tie-Down-Retrofitting-Kit		1

Seat Support/ Plate



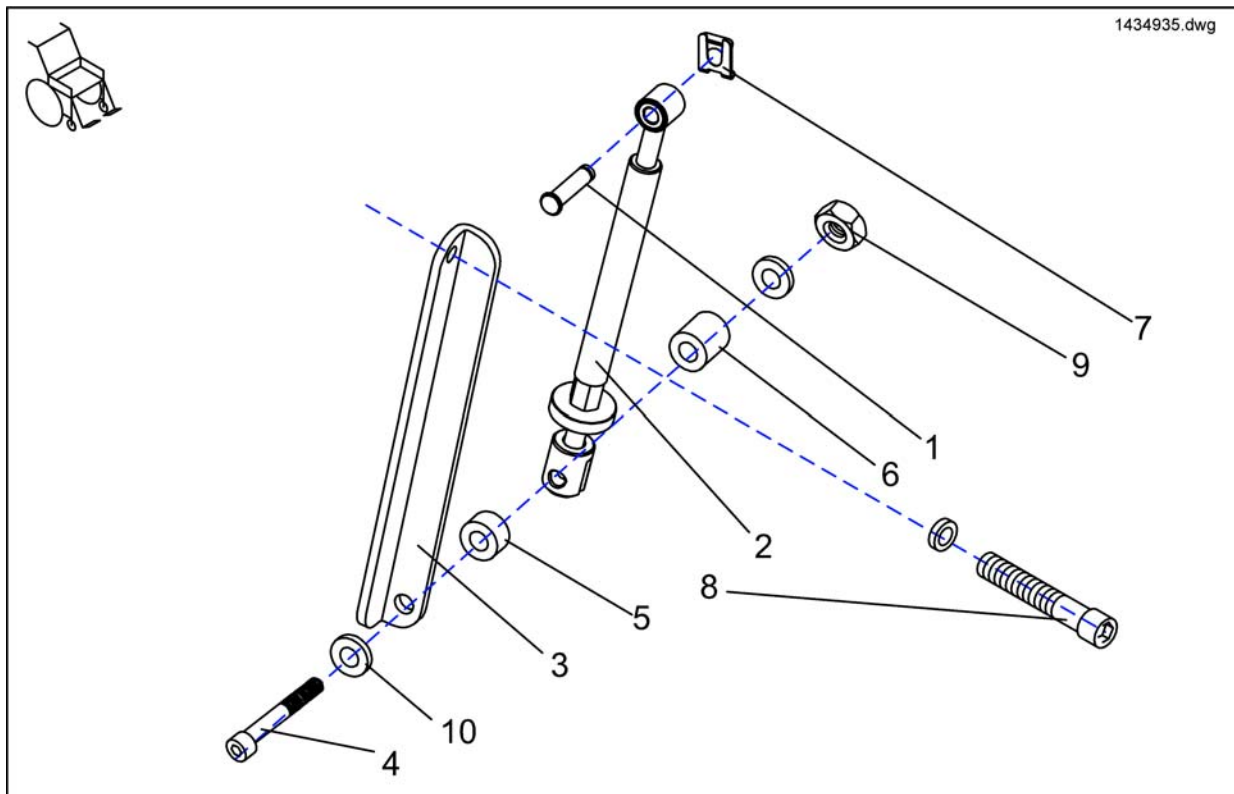
Pos.	Part number	Description	Valid from → until	Qty
1	SP1423205	Seat Mounting Kit (One-Piece Version)		1
1	1419999-9005	Seat Plate		1
1	SP1422060	SEAT PLATE (ONE PIECE) COMPLETE		1
2	1420457-9005	SEAT PLATE RH CPL.		1
2	SP1422121	SEAT PLATE, FLEX F. SB 39 CPL.		1
2	1420458-9005	SEAT PLATE LH CPL.		1
2	1444732	ASSEMBLY KIT FOR SPLIT SEAT SB 43cm		1
2	1444733	ASSEMBLY KIT FOR SPLIT SEAT SB 48cm		1
2	SP1422065	SPLIT SEAT SB 48 CPL.		1
2	SP1422064	SPLIT SEAT SB 43 CPL.		1
2	SP1423206	SEAT (SPLIT) ASSEMBLY KIT		1
2	1436355	INSTALLATION KIT BRACKET SEAT REINFORCEMENT (RH + LH)		1
3	SP1423183	SEAT PLATE RECARO CPL.		1
3	1423174-9005	RECARO SEAT PLATE		1
4	U21087	Velcro Fastener Strip 38 X 400mm Adhesive		1
5	P31298	Reflector, Yellow		1
6	SP1428110	SEAT SUPPORT Optimist, Seat width 45cm, complete		1
7	1419417	MOTOR LA 28.1-100-24-001		1
8	5314532	SEAT PLATE 410 X 520 MM		1
8	5314533	SEAT PLATE 460 X 520 MM		1
9	S182007.P40	ATTACHING BRACKET FOR SRB PLUG		1
10	1428501-9005	EURO SEAT SHELL		1

Mounting kit seat plate



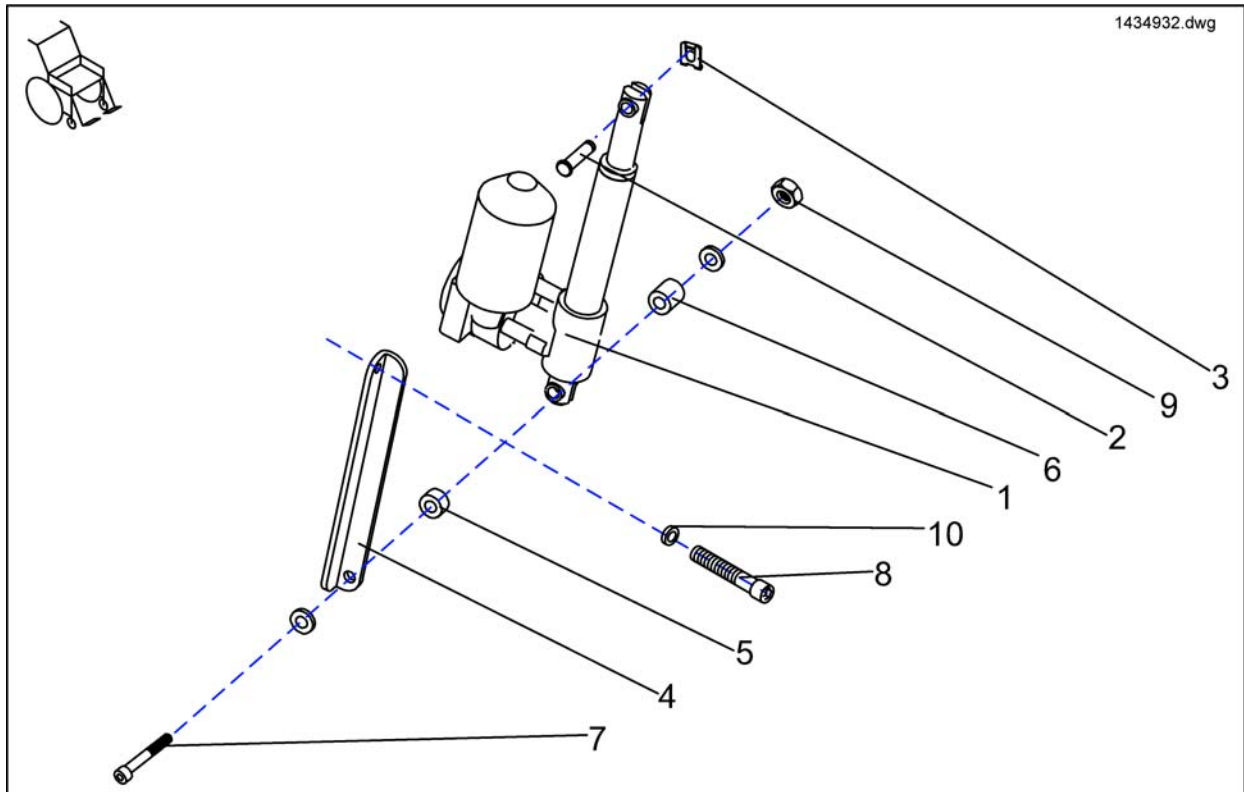
Pos.	Part number	Description	Valid from → until	Qty
1	-	Countersunk Socket Head Screw M6 X 45 10.9		1
2	G00115	Washer 6,4 X 12,5 X 1,6 DIN 125		1
3	-	Nylon Nut M6		1
4	-	HEX NUT M8		1
5	-	Hex Head Screw M8 X 20		1
6	-	Screw DIN6912 M10X20		1
7	1421701-9005	Angle Bracket LH, SB 43		1
7	1421706-9005	SEAT ANGLE RH, SB 48		1
7	1421700-9005	Angle Bracket RH, SB 43		1
7	1421705-9005	SEAT ANGLE LH SB 48		1
8	-	BOLT M6 X 50		1
9	-	ANGLE BRACE		1
10	-	REINFORCING PLATE		1
11	-	Countersunk Socket Head Screw M6 X 16		1
12	1434869-9005	BRACKET SEAT REINFORCEMENT LH		1
12	1434870-9005	BRACKET SEAT REINFORCEMENT RH		1
13	1510637	Stiffing Kit		1
14	1436355	INSTALLATION KIT BRACKET SEAT REINFORCEMENT (RH + LH)		1
15	SP1423206	SEAT (SPLIT) ASSEMBLY KIT		1
15	1444733	ASSEMBLY KIT FOR SPLIT SEAT SB 48cm		1
15	1444732	ASSEMBLY KIT FOR SPLIT SEAT SB 43cm		1
16	SP1423205	Seat Mounting Kit (One-Piece Version)		1

Seat Angle Adjustment Manual



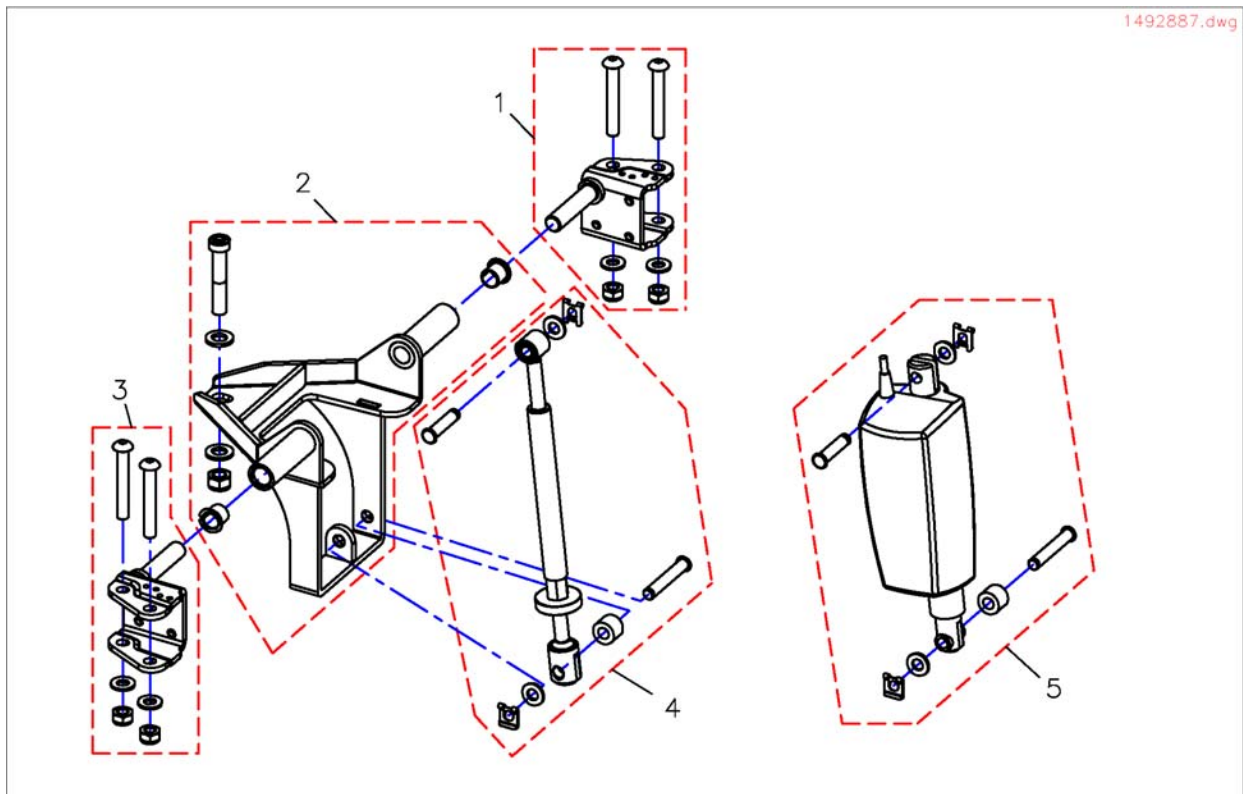
Pos.	Part number	Description	Valid from → until	Qty
-	1434935	SEAT ANGLE ADJUSTMENT MANUAL, PREASSEMBLED		1
1	1419941-0003	FIXATION BOLT 44, 5MM BLACK ZINC-PLATED		1
2	1420004	Spindle		1
3	1423440-9005	ANGLE BRACE		1
4	1423490	BOLT M10 X 125 DIN 912		1
5	1426296	Spacer 10,5x21x12		1
6	1426297	Spacer 10,5X21X16		1
7	-	Lock Washer 10mm		1
8	5824318	Schraube M8x65 DIN 912		1
9	-	Nut M10 DIN 985		1
10	-	Washer DIN 125 10,5mm		1

Seat Angle Adjustment electrical



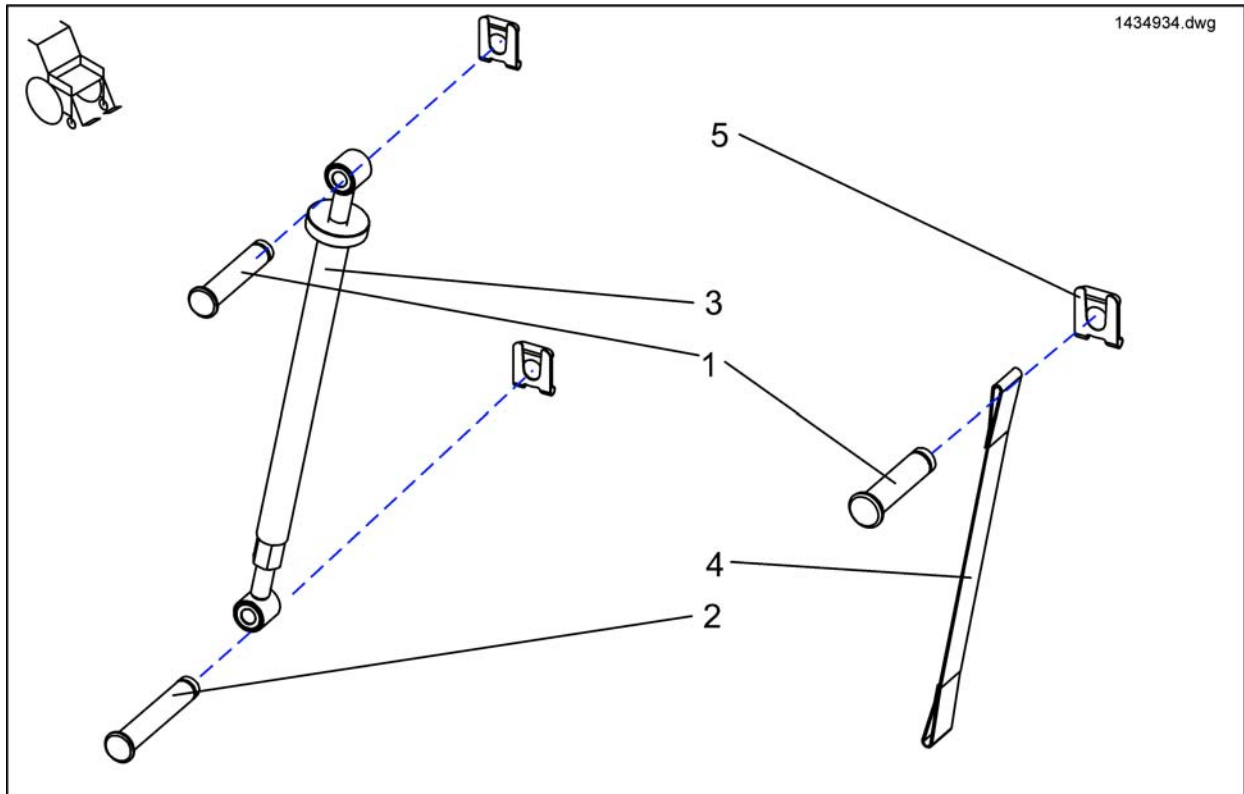
Pos.	Part number	Description	Valid from → until	Qty
-	1434932	SEAT ANGLE ADJUSTMENT ELECTRICAL, PREASSEMBLED		1
1	1434425	MOTOR LA30.1L-50-24-001 w. PULL BRAKE		1
2	1419941-0003	FIXATION BOLT 44, 5MM BLACK ZINC-PLATED		1
3	-	Lock Washer 10mm		1
4	1423440-9005	ANGLE BRACE		1
5	1426296	Spacer 10,5x21x12		1
6	1426297	Spacer 10,5X21X16		1
7	1423490	BOLT M10 X 125 DIN 912		1
8	5824318	Schraube M8x65 DIN 912		1
9	-	Nut M10 DIN 985		1
10	-	Washer DIN 125 10,5mm		1

Seat adjustment (without lifter)



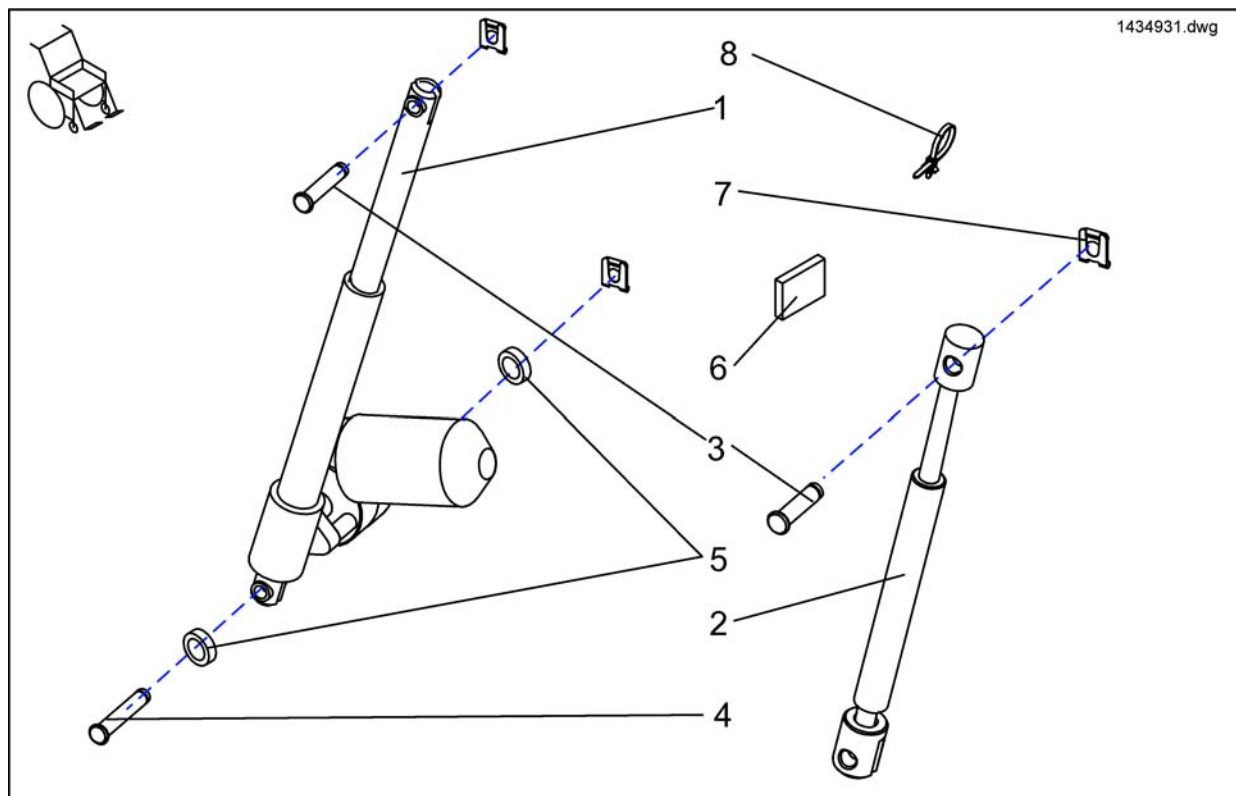
Pos.	Part number	Description	Valid from → until	Qty
1	SP1529464	Bearing Plate LH		1
2	SP1529475	Tilt suspension		1
3	SP1529476	Bearing Plate RH		1
4	SP1529477	Spindle, cpl.		1
5	SP1529478	Lifting Motor Seat Angle, cpl.		1

Seat Height Adjustment Manual



Pos.	Part number	Description	Valid from → until	Qty
-	1434934	SEAT HEIGHT ADJUSTMENT MANUAL, PREASSEMBLED		1
1	1419941-0003	FIXATION BOLT 44, 5MM BLACK ZINC-PLATED		1
2	1419943-0003	SECURING BOLT 52.5 MM		1
3	1420003	SPINDLE SEAT HEIGHT ADJUSTMENT MANUAL CPL.		1
4	1430121	RESTRAINT 25 MM		1
5	-	Lock Washer 10mm		1

Seat Height Adjustment electrical

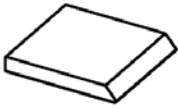


Pos.	Part number	Description	Valid from → until	Qty
-	1434931	SEAT HEIGHT ADJUSTMENT ELECTRICAL, PREASSEMBLED		1
1	1419400	MOTOR LA30.1S-150-24-002		1
2	SP1419237	GAS PRESSURE SPRING CPL.		1
3	1419941-0003	FIXATION BOLT 44, 5MM BLACK ZINC-PLATED		1
4	1419943-0003	SECURING BOLT 52.5 MM		1
5	1426295	SPACER 10,5x21x4		1
6	1429559	MAGNET		1
7	-	Lock Washer 10mm		1
8	-	CABLE TIE L=180 MM (LONG); BLACK		1

Seat Cushion

1501113.dwg

STANDARD



1	41cm	black
2	46cm	
3	51cm	

KONTUR



4	43cm	black
5	48cm	

FLEX



6	39cm	black
7	43cm	
8	48cm	
9	39cm	blue
10	43cm	
11	48cm	
12	39cm	vinyl grey
13	43cm	
14	48cm	
15	39cm	Tromb black
16	43cm	
17	48cm	
18	36cm	Dartex grey
19	44cm	
20	49cm	

Arne Jensen



21	38cm	Positive
22	45cm	
23	38cm	Negative
24	45cm	
25	38cm	Paraplegic
26	45cm	

Flo-Tech



27	43cm	43cm
28	45,5cm	53cm
29	48cm	40,5cm
30	48cm	43cm

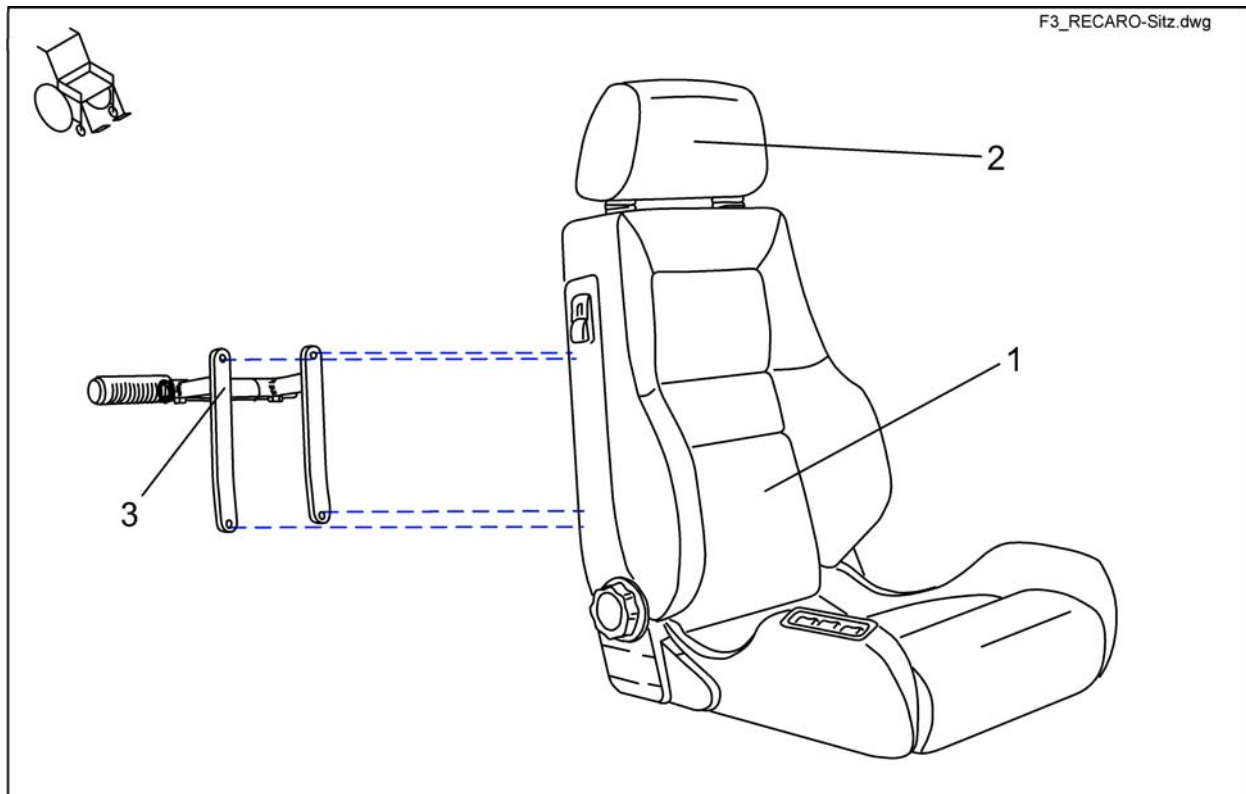
FLEX VIC AIR



31	43cm	VicAir
----	------	--------

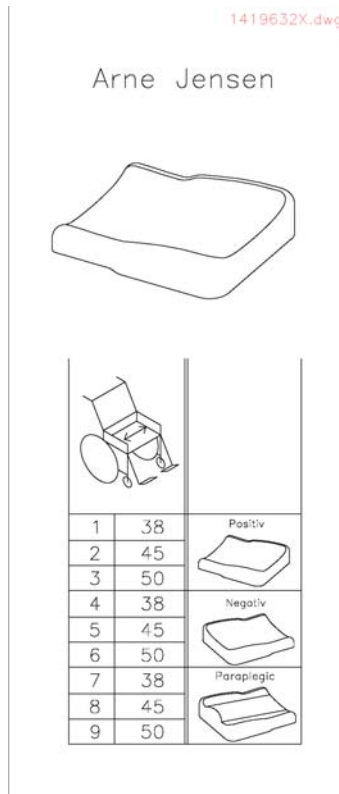
Pos.	Part number	Description	Valid from → until	Qty
1	1420460	Cushion Standard SD 41cm		1
2	1420461	Cushion Standard SD 46cm		1
3	1420462	Cushion Standard SD 51cm		1
4	1422072	Cushion Contour SW43cm, black		1
5	1422074	Cushion Contour SW48cm, black		1
6	1436561	Cushion Flex SW39cm, black		1
7	1436562	Cushion Flex SW43cm, black		1
8	1436563	Cushion Flex SW48cm, black		1
9	1422529	Cushion Flex SW39cm, blue		1
10	1422530	Cushion Flex SW43cm, blue		1
11	1422532	Cushion Flex SW48cm, blue		1
12	5314542	Seat Cushion SW 39cm, grey vinyl		1
13	1422939	Cushion Flex SW43cm, grey vinyl		1
14	1422940	Cushion Flex SW48cm, grey vinyl		1
15	5252582-TR98	Seat cushion TROMB ZON 98 SW36		1
16	5252583-TR98	Seat cushion TROMB ZON 98 SW41		1
17	5252584-TR98	Seat cushion TROMB ZON 98 SW46		1
18	1508053	CUSHION FLOSHAPE 355X535 TR23		1
19	1428090	Cushion Flex SW43cm, grey Dartex (Bris)		1
20	1428091	Cushion Flex SW48cm, grey Dartex (Bris)		1
21	1419632	Seat Cushion positive, SW 38cm, black		1
22	5313953	Seat Cushion positive, SW 45cm, black		1
23	1419633	Seat Cushion negative, SW 38cm, black		1
24	5313958	Seat Cushion negative, SW 45cm, black		1
25	1419634	Seat Cushion paraplegic, SW 38cm, black		1
26	5313962	Seat Cushion paraplegic, SW 45cm, black		1
27	SP1501113	Seat Cushion Flo-tech Contur Visco 43x43cm		1
28	SP1500993	Seat Cushion Flo-tech Contur Visco 45.5x53cm		1
29	SP1501116	Seat Cushion Flo-tech Contur Visco 48x40.5cm		1
30	SP1501117	Seat Cushion Flo-tech Contur Visco 48x43cm		1
31	1422531	Cushion Flex SW43cm, VIC AIR		1

RECARO-Seat



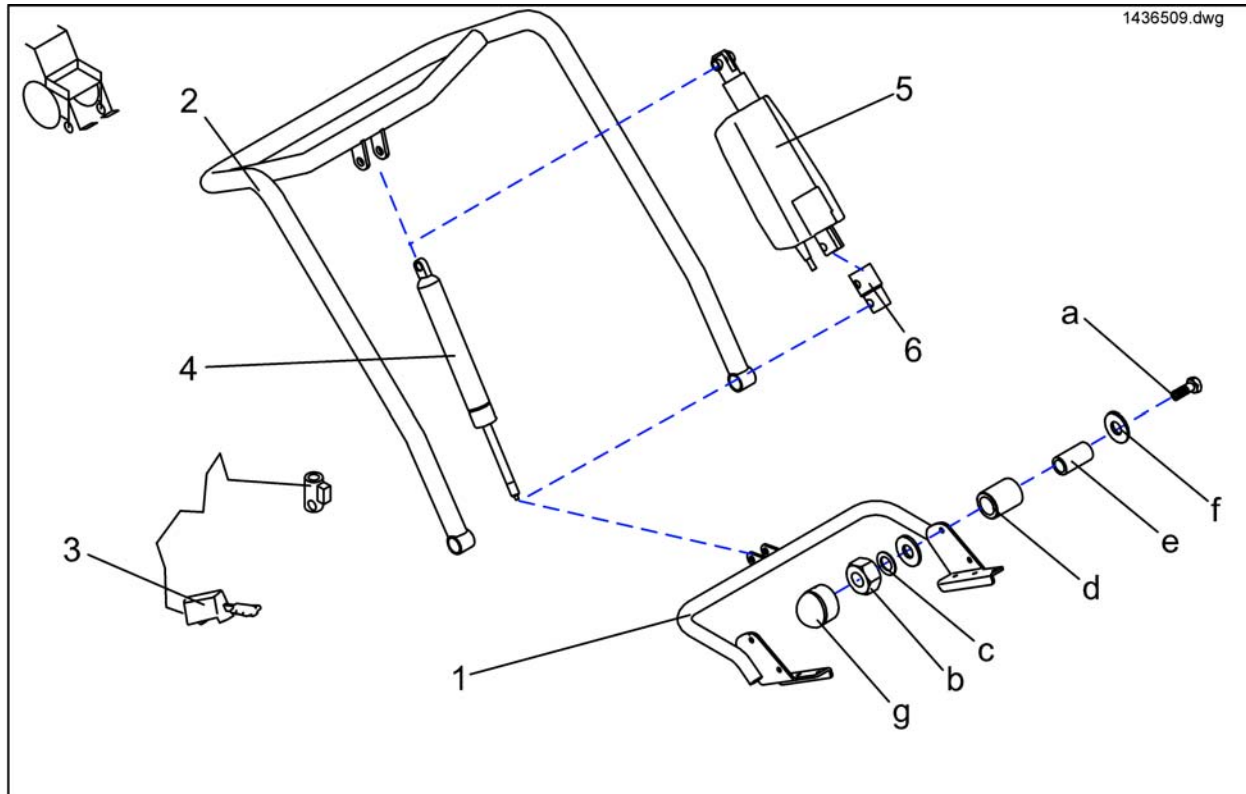
Pos.	Part number	Description	Valid from → until	Qty
1	SP1422546	Recaro Seat N-Joy cpl.		1
1	SP1420495	Recaro Seat Mobility cpl.		1
2	N89999	HEADREST - SPORT NARDO		1
3	SP1423177	HOLDER F. PUSH HANDLE RECARO CPL.		1
	SP1423173	RECARO SEAT MOUNTING KIT		1
	Z163001A	SAFETY BELT WITH SNAP LOCK AND VELCRO FASTNER FOR RECARO		1
	F367002	SAFETY BELT WITH VELCRO FASTNER F. RECARO		1

Seat Cushions Arne Jensen



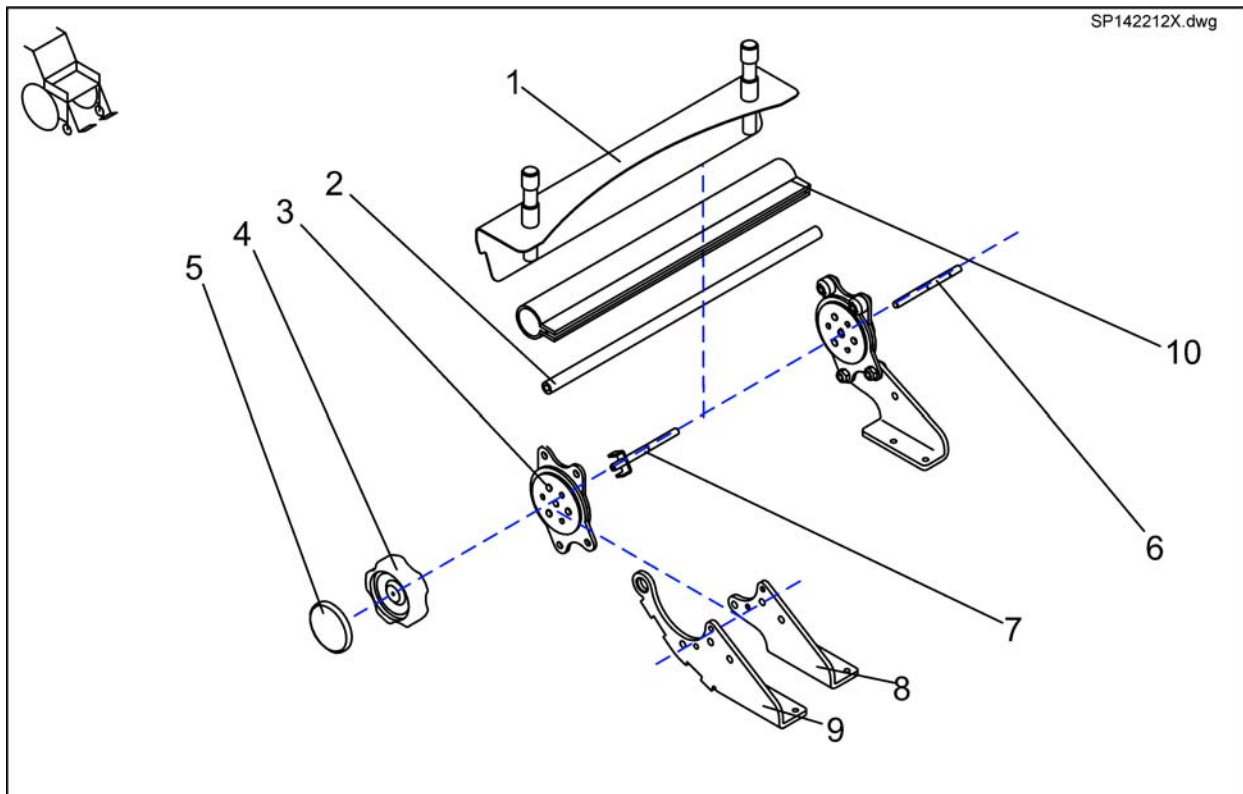
Pos.	Part number	Description	Valid from → until	Qty
1	1419632	Seat Cushion positive, SW 38cm, black		1
2	5313953	Seat Cushion positive, SW 45cm, black		1
3	5314038	Seat Cushion positive, SW 50cm, black		1
4	1419633	Seat Cushion negative, SW 38cm, black		1
5	5313958	Seat Cushion negative, SW 45cm, black		1
6	5314041	Seat Cushion negative, SW 50cm, black		1
7	1419634	Seat Cushion paraplegic, SW 38cm, black		1
8	5313962	Seat Cushion paraplegic, SW 45cm, black		1
9	5314044	Seat Cushion paraplegic, SW 50cm, black		1

Backrest Adjustment, Standard



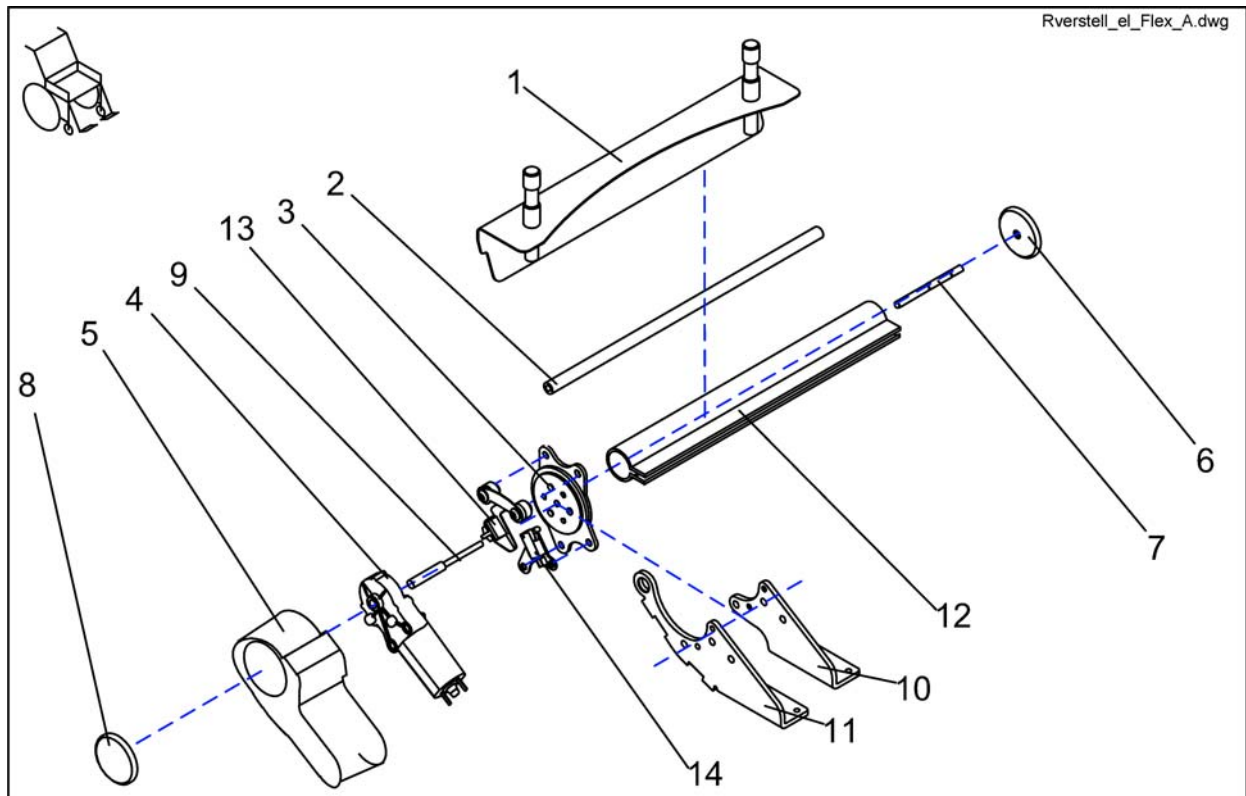
Pos.	Part number	Description	Valid from → until	Qty
-	SP1436507	BACKREST ADJUSTMENT ELECTRICAL FOR STANDARD SEAT COMPLETE		1
-	SP1436509	Backrest Adjustment Pneumatic For Standard Seat Complete		1
d	Z131009A	Bush Rd. 18 X 3 X 22		1
b	-	Nut, M8 DIN 985		1
-	SP1443270	Back Adjustment Standard, Back Height 54cm, Electzrically, Cpl with backbelt		1
a	-	Axle Bolt M8 X 45		1
f	-	Washer 8,4 X 25 X 2		1
e	-	Bush Rd. 12 X 1.8 X 23		1
g	L01041	Cover Cap For Wheel Invacare P452E		1
a-g	F367005	Fixing Kit For Seat Mounting		1
-	SP1444991	Back Adjustment Standard, Back Height 54CM, Pneumatically, cpl with backbelt		1
c	G00107	Scheibe 8, 4X17X1, 6 DIN 125		1
1	1442845-9005	Lower Receiving Bracket		1
2	1440395-9005	Backtube		1
3	N368003	Release Lever Stabilus		1
4	N368007	Back Adjuster Pneumatic cpl.		1
5	1418016	BACK ADJUSTER ELECTRIC CPL.		1
6	N368001.89	EXTENSION PART FOR ACTUATOR		1

Backrest Adjustment Flex/Contour manual



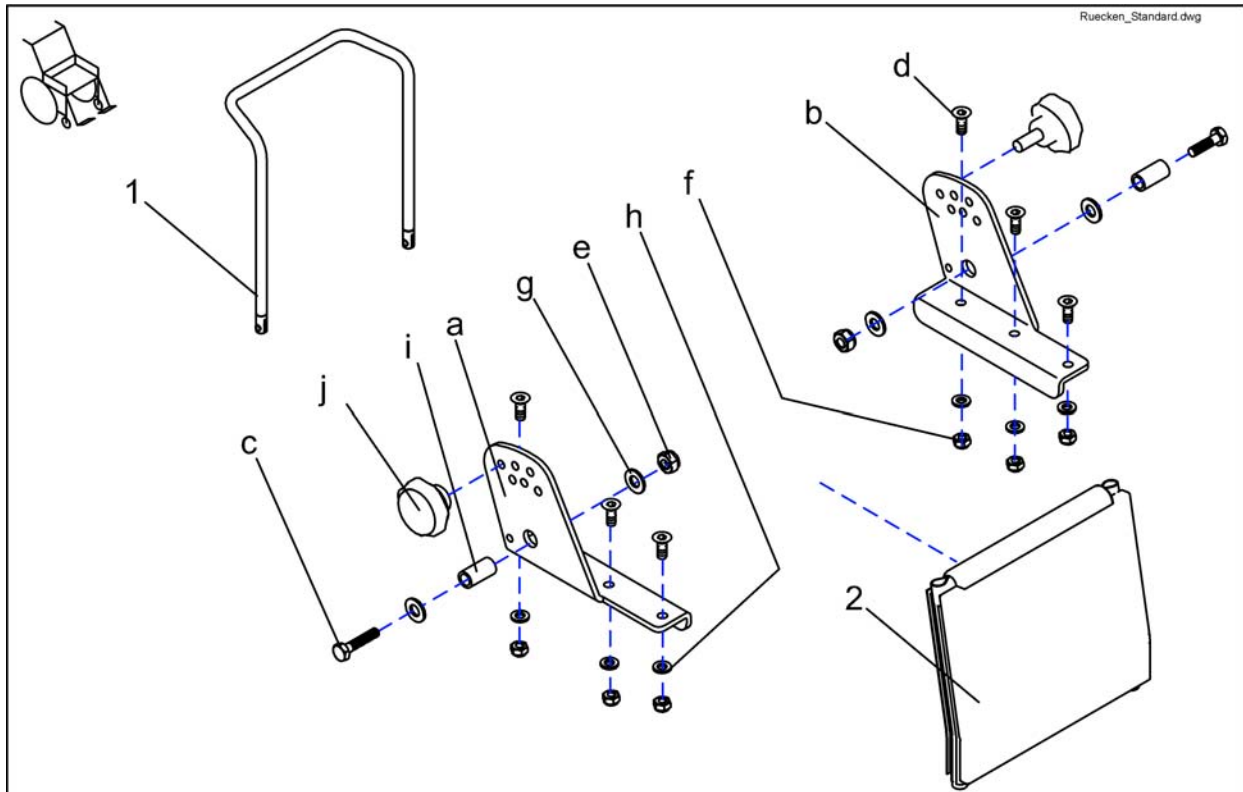
Pos.	Part number	Description	Valid from → until	Qty
-	1442942	MANUAL BACK ADJUSTER, SEAT WIDTH 43CM, FOR SLIDING ARMRESTS, CPL.		1
-	SP1422067	MANUAL BACKREST ADJUSTMENT SB 48 CPL.		1
-	SP1422122	MANUAL BACKREST ADJUSTMENT F. FLEX SB 39 CPL.		1
-	SP1425854	MANUAL BACK ADJUSTER, SEAT WIDTH 48CM, FOR SLIDING ARMRESTS, CPL.		1
-	SP1423210	BACKREST ADJUSTMENT ASSEMBLY KIT		1
-	SP1422066	MANUAL BACKREST ADJUSTMENT SB 43 CPL.		1
-	SP1425857	MANUAL BACK ADJUSTER, SEAT WIDTH 39CM, FOR SLIDING ARMRESTS, CPL.		1
1	1422112-9005	BACKREST BRACKET 480 MM		1
1	1419992-9005	BACKREST BRACKET 430 MM		1
1	1422119-9005	BACKREST BRACKET 390 MM		1
2	1420491	CONNECTING TUBE 480 MM		1
2	1420489	CONNECTING TUBE 380 MM		1
2	1420490	CONNECTING TUBE 430 MM		1
3	SP1450234	SEAT BRACE MANUAL BACKREST, 1 PAIR		1
4	1420483	HAND WHEEL		1
5	1421696	PERFORATED REFLECTOR, YELLOW		1
6	1420488-0002	SUPPORT SHAFT		1
7	1421713-0002	HAND WHEEL SHAFT		1
8	1420476-9005	BRACE BRACKET MANUAL RH		1
8	1420477-9005	BRACE BRACKET MANUAL/ELECTRICAL LH		1
9	1429564-9005	FITTING ATTACHMENT LH F. SLIDING ARMREST		1
9	1429563-9005	FITTING ATTACHMENT RH F. SLIDING ARMREST		1
10	1442579	PROTECTIVE COVERING 480MM		1
10	1442578	PROTECTIVE COVERING 430MM		1
10	1442577	PROTECTIVE COVERING 380MM		1

Backrest Adjustment Flex/Contour el.



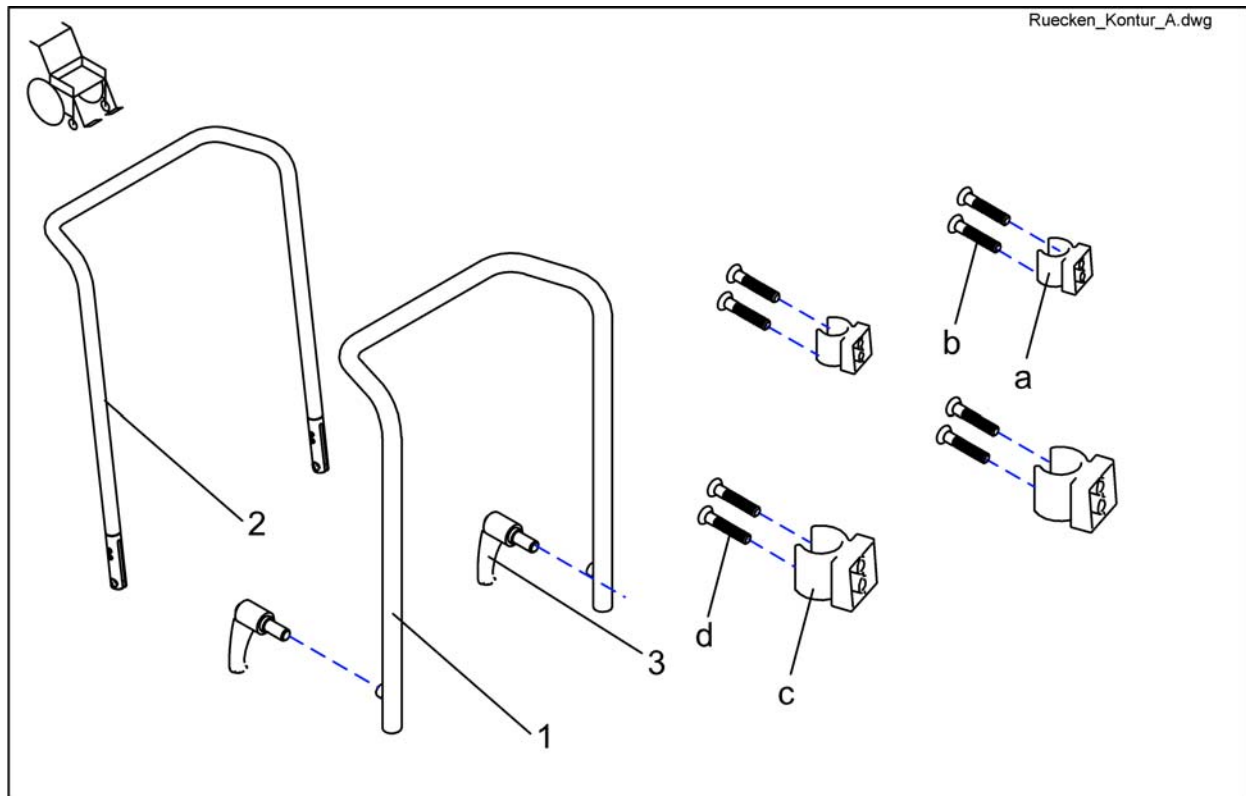
Pos.	Part number	Description	Valid from → until	Qty
	SP1425856	ELECTRICAL BACK ADJUSTER, SEAT WIDTH 48CM, FOR SLIDING ARMRESTS, CPL.		1
	SP1422123	ELECTRONIC BACKREST ADJUSTMENT F. FLEX SB 39 CPL.		1
	SP1425858	ELECTRICAL BACK ADJUSTER, SEAT WIDTH 39CM, FOR SLIDING ARMRESTS, CPL.		1
	SP1425855	ELECTRICAL BACK ADJUSTER, SEAT WIDTH 43CM, FOR SLIDING ARMRESTS, CPL.		1
	SP1422068	ELECTRONIC BACKREST ADJUSTMENT SB 43 CPL.		1
	SP1423210	BACKREST ADJUSTMENT ASSEMBLY KIT		1
	SP1422069	ELECTRONIC BACKREST ADJUSTMENT SB 48 CPL.		1
1	1422119-9005	BACKREST BRACKET 390 MM		1
1	1422112-9005	BACKREST BRACKET 480 MM		1
1	1419992-9005	BACKREST BRACKET 430 MM		1
2	1420490	CONNECTING TUBE 430 MM		1
2	1420489	CONNECTING TUBE 380 MM		1
2	1420491	CONNECTING TUBE 480 MM		1
3	SP1423211	SEAT BRACE ELECTRIC BACKREST, 1 PAIR		1
4	1420475	GEAR MOTOR GMPG		1
5	1420998	MOTOR CAP		1
6	1421696	PERFORATED REFLECTOR, YELLOW		1
7	1420488-0002	SUPPORT SHAFT		1
8	1420482	REFLECTOR		1
9	1420487-0002	MOTOR SHAFT		1
10	1421708-9005	BRACE BRACKET ELECTRICAL, RH		1
10	1420477-9005	BRACE BRACKET MANUAL/ELECTRICAL LH		1
11	1429564-9005	FITTING ATTACHMENT LH F. SLIDING ARMREST		1
11	1429563-9005	FITTING ATTACHMENT RH F. SLIDING ARMREST		1
12	1442578	PROTECTIVE COVERING 430MM		1
12	1442577	PROTECTIVE COVERING 380MM		1
12	1442579	PROTECTIVE COVERING 480MM		1
13	SP1423212	SOLID ANGLE SENSOR CPL.		1
14	SP1423213	LIMIT STOP SWITCH CPL.		1

Backrest frame standard

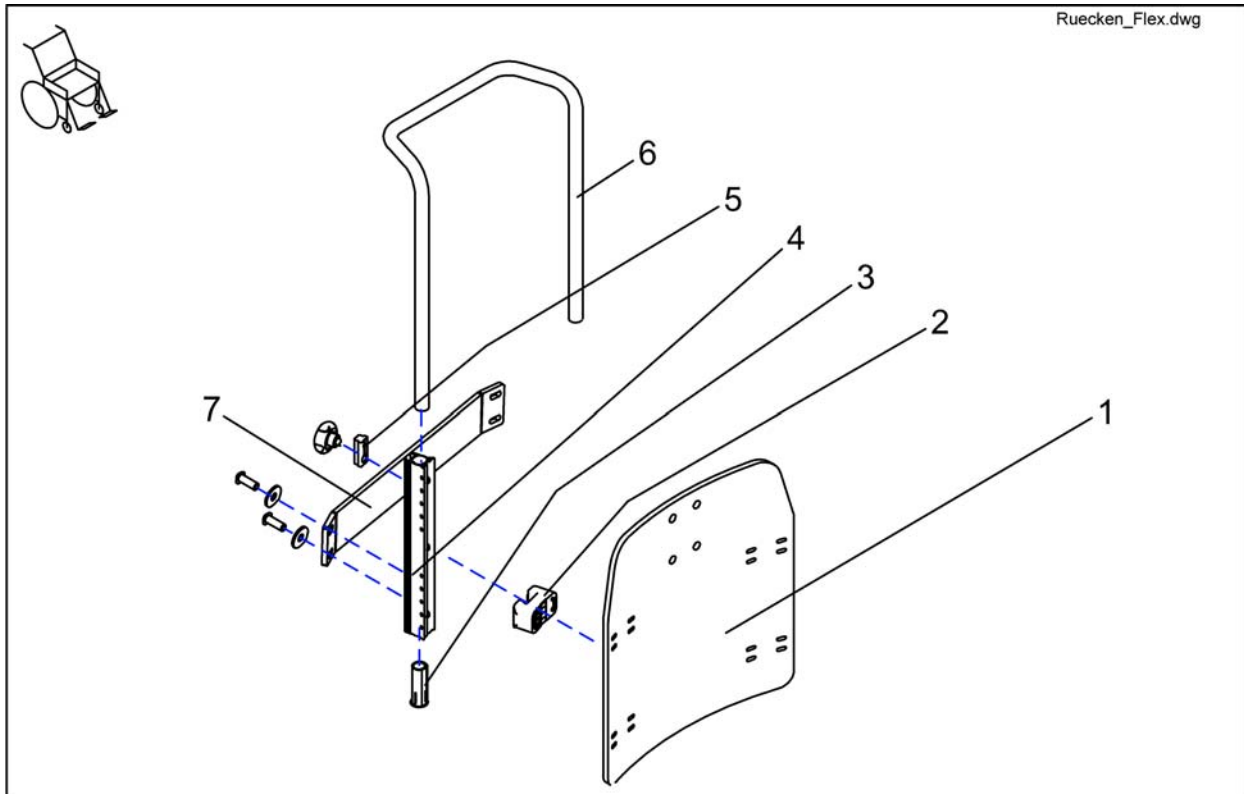


Pos.	Part number	Description	Valid from → until	Qty
i	-	Bush Rd. 12 X 1.8 X 23		1
j	SP1420444	Star Grip M8 cpl.		1
a	1419994-9005	Backrest Adjustment RH		1
b	1419997-9005	Backrest Adjustment LH		1
-	SP1423208	Std. Backrest Assembly Kit cpl.		1
c	-	Srew M8X35 DIN 933		1
d	-	Countersunk Socket Head Screw M6 X 16		1
e	-	Nut, M8 DIN 985		1
f	F60107	Domed Nyloc Nut M6, Self-Locking		1
g	G00107	Scheibe 8, 4X17X1, 6 DIN 125		1
h	G00115	Washer 6,4 X 12,5 X 1,6 DIN 125		1
1	1420465-9005	Back Tube 540 mm		1
1	1419996-9005	Back Tube 480 mm		1
2	1422063	Sling Back with removable cushion 540 mm		1
2	1422062	Sling Back with removable cushion 480 mm		1

Backrest Frame, Contour

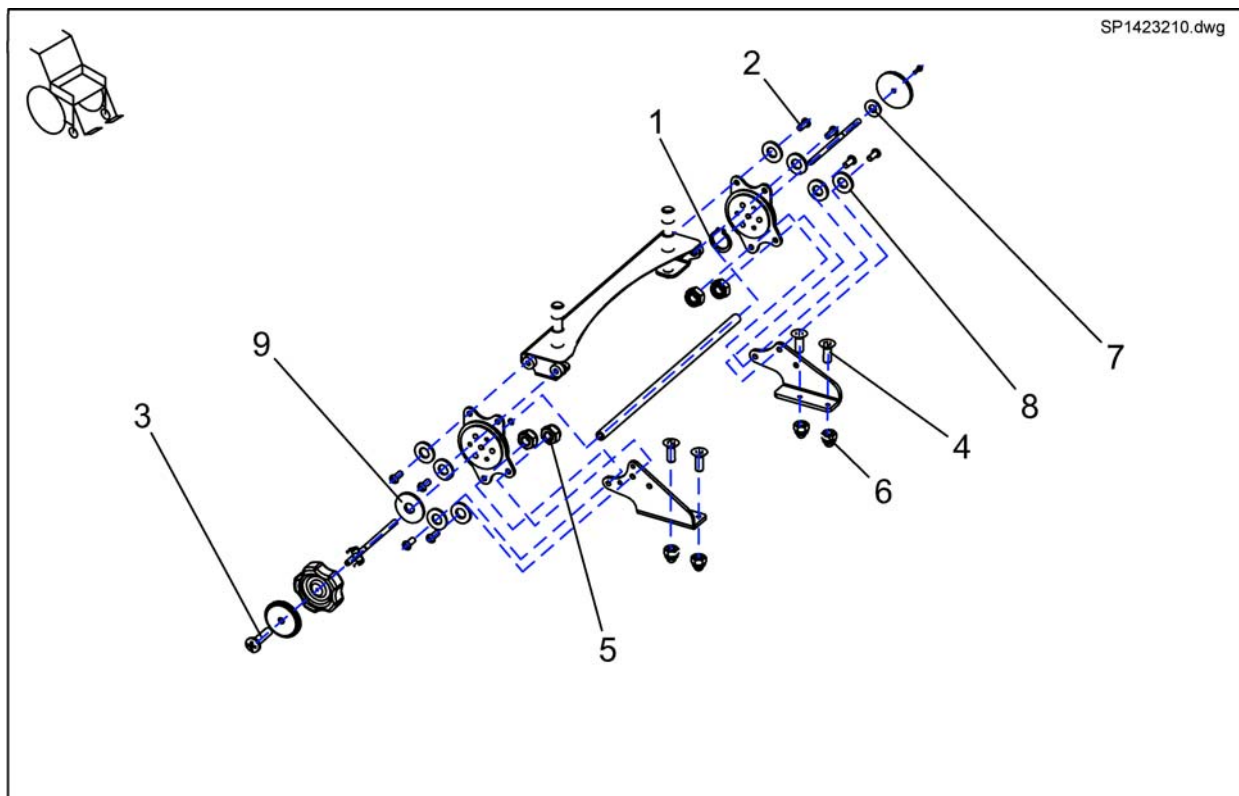


Pos.	Part number	Description	Valid from → until	Qty
a	-	CLAMP SHORT		1
d	-	SCREW 5 X 45, DIN 7505		1
c	-	CLAMP LONG		1
b	-	Screw 5x35 DIN 7505		1
1	1420478-9005	BACK TUBE CONTOUR		1
2	1434878-9005	Backtube Contour For Storm³ Euro		1
3	L31996	Lever M10x20		1
4	SP1423216	PADDED BACKREST UPHOLSTERY ASSEMBLY KIT		1

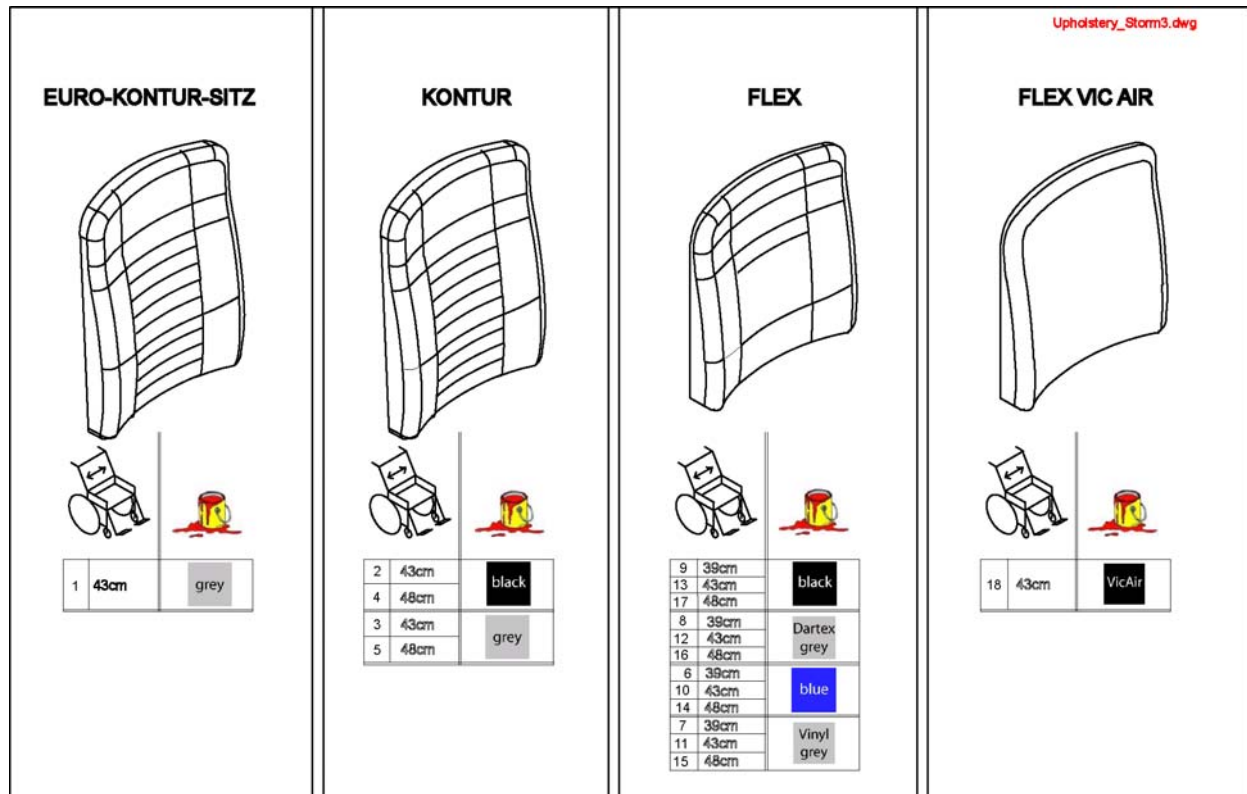


Pos.	Part number	Description	Valid from → until	Qty
-	SP1422126	Backrest Flex SB 39cm without Upholstery cpl.		1
-	SP1422125	Backrest Flex SB 48cm without Upholstery cpl.		1
-	SP1422124	Backrest Flex SB 43cm without Upholstery cpl.		1
1	SP1423219	BACK PLATE SB 48 CPL.		1
1	SP1423218	BACK PLATE SB 43 CPL.		1
1	SP1423217	BACK PLATE SB 39 CPL.		1
2	SP1422117	SPACER BLOCK, 4 PIECES		1
3	SP1423220	GUIDE BUSH CPL. (PAIR)		1
4	5252204	BACKREST BAR		1
5	5253088	LOCKING DEVICE CPL		1
6	1425840-9005	PUSH HANDLE SB 39		1
6	1425839-9005	PUSH HANDLE SB 44/48		1
7	SP1488810	STABILIZATION SHEET METAL CPL. SEAT WIDTH 43/48CM		1
7	SP1488804	STABILIZATION SHEET METAL CPL. SEAT WIDTH 39CM		1

Backrest adjustment Assembly Kit

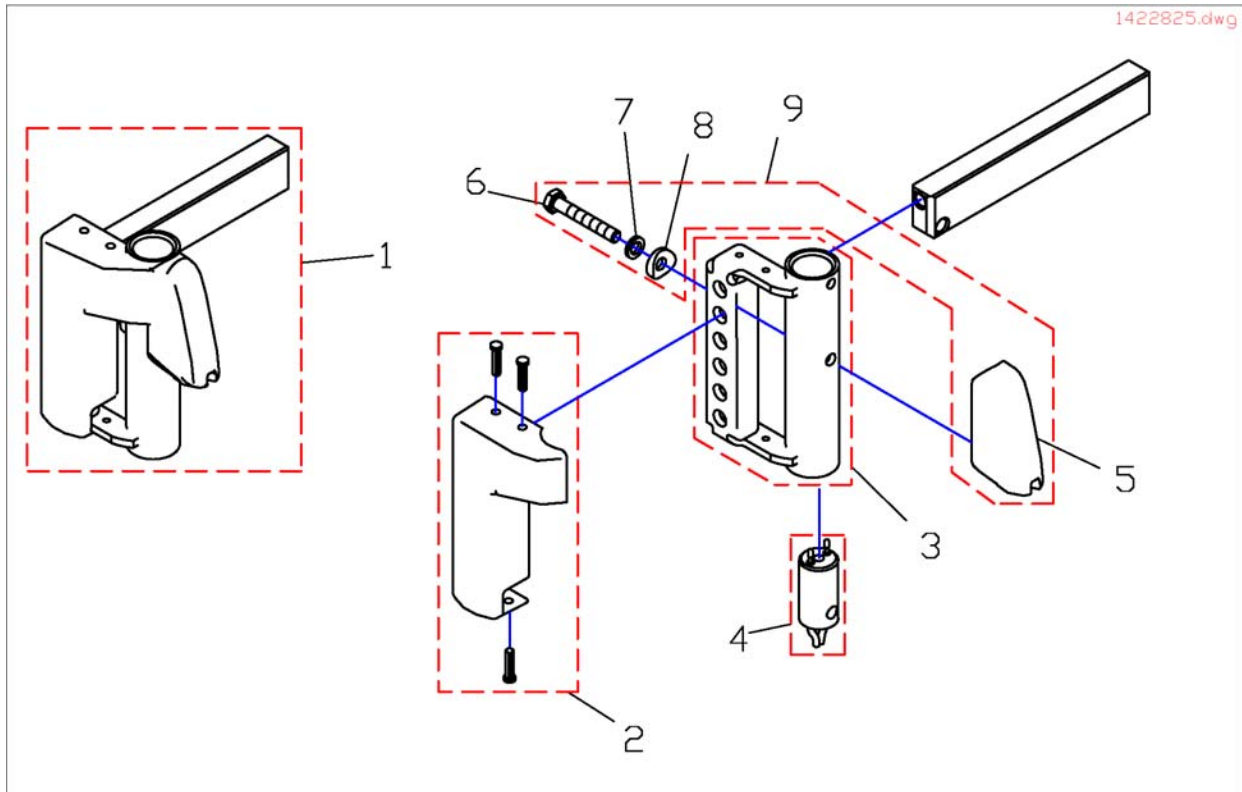


Pos.	Part number	Description	Valid from → until	Qty
-	SP1423210	BACKREST ADJUSTMENT ASSEMBLY KIT		1
1	-	DIN 471 8X0.75 SPRING LOCKING RING		1
2	-	SCREW M8 X 20		1
3	-	CROSS HEAD SCREW M4 X 16		1
4	-	Countersunk Socket Head Screw M6 X 16		1
5	-	Nut, M8 DIN 985		1
6	F60107	Domed Nyloc Nut M6, Self-Locking		1
7	-	BRAKE SHOE SET		1
8	G00107	Scheibe 8, 4X17X1, 6 DIN 125		1
9	-	Washer 8,4 X 25 X 2		1



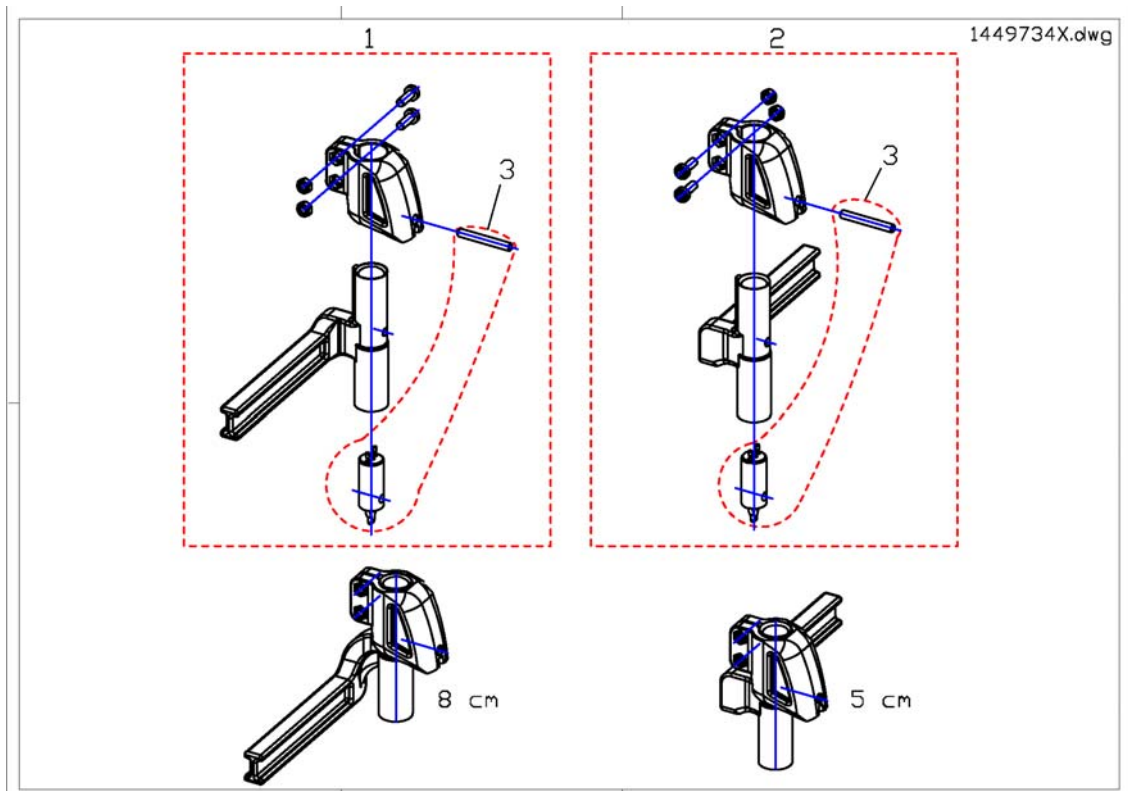
Pos.	Part number	Description	Valid from → until	Qty
1	SPF365037	Back Cushion For Storm³ Euro cpl.		1
2	SP1422076	Back Cushion Contour, SW 43cm, black		1
3	SP1422075	Back Cushion Contour, SW 43cm, grey		1
4	SP1422078	Back Cushion Contour, SW 48cm, black		1
5	SP1422077	Back Cushion Contour, SW 48cm, grey		1
6	1422534	Back Cushion SW39cm, blue		1
7	5252506-TR04	Back Cushion SW39cm, grey vinyl		1
8	5252506-TR23	Back Cushion SW39cm, Dartex		1
9	1436564	Back Cushion SW39cm, black		1
10	1422535	Back Cushion SW43cm, blue		1
12	5252507-TR23	Back Cushion SW43cm, Dartex		1
13	1436565	Back Cushion SW43cm, black		1
14	1422536	Back Cushion SW48cm, blue		1
16	5252508-TR23	Back Cushion SW48cm, Dartex		1
17	1436566	Back Cushion SW48cm, black		1
18	1422537	Back Cushion SW43cm, VIC AIR		1

Leg Support Carrier ==> 06.2005



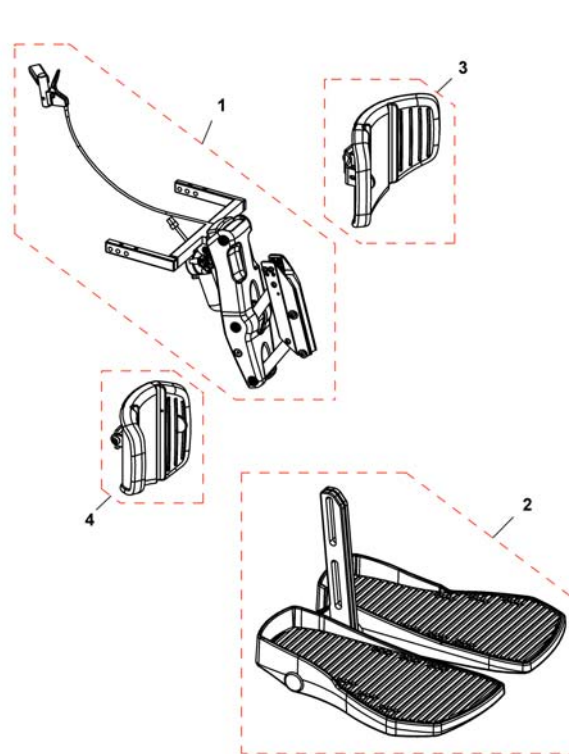
Pos.	Part number	Description	Valid from → until	Qty
1	SP1417917	LEG SUPPORT CARRIER LH MG HS SEAT FRAMES		1
1	SP1422825	FOOTREST SUPPORT LH F. ELECTRIC LEGREST		1
1	SP1417918	LEG SUPPORT CARRIER RH MG HS SEAT FRAMES		1
1	SP1422826	FOOTREST SUPPORT RH F. ELECTRIC LEGREST		1
2	1434961	COVER LH WITH PINE TREE		1
2	1434960	COVER RH WITH PINE TREE		1
3	-	LEGREST RECEPTACLE LH		1
3	-	LEGREST RECEPTACLE RH		1
4	Z174165	LEGREST CONTACT W. CABLE 700 MM		1
4	1415098	LEGREST CONTACT W. CABLE 300 MM		1
4	Z174166	LEGREST CONTACT W. CABLE 300 MM		1
4	1415097	LEGREST CONTACT W. CABLE 700 MM		1
5	-	FRAME ADAPTER (ALU)		1
6	-	SCREW M6 X 40, DIN 933		1
7	-	NORD-LOCK WASHER 6 MM		1
8	-	SPACER		1
9	SP1423192	LEGREST ADAPTER ASSEMBLY KIT		1

Leg Support Carrier 07.2005 ==>



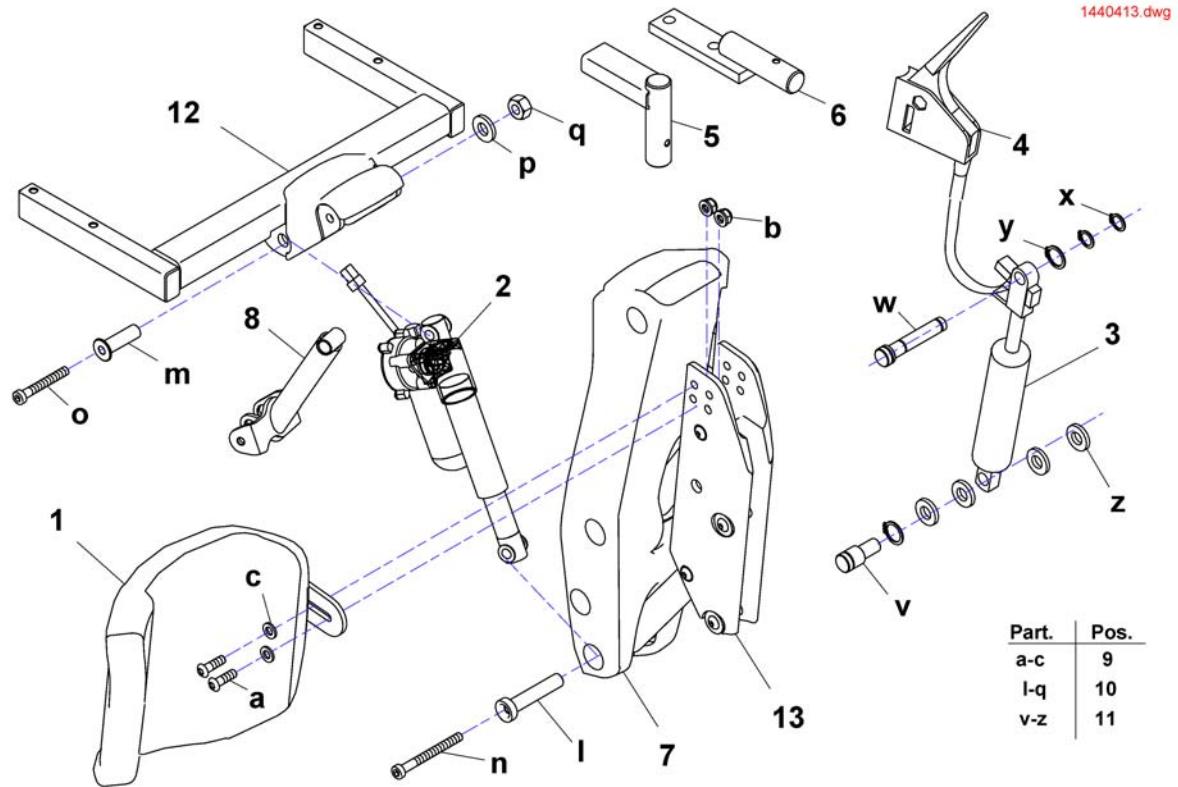
Pos.	Part number	Description	Valid from → until	Qty
1	SP1449737	Footrest/Legrest receptacle, manuell, LH, 8cm		1
1	SP1449739	Footrest/Legrest receptacle, powered, LH, 8cm		1
1	SP1449735	Footrest/Legrest receptacle, powered, LH, 5cm		1
1	SP1449733	Footrest/Legrest receptacle, manuell, LH, 5cm		1
2	SP1449738	Footrest/Legrest receptacle, powered, RH, 8cm		1
2	SP1449736	Footrest/Legrest receptacle, manuell, RH, 8cm		1
2	SP1449734	Footrest/Legrest receptacle, powered, RH, 5cm		1
2	SP1449732	Footrest/Legrest receptacle, manuell, RH, 5cm		1
3	SP1450228	Legrest Cable		1

Legrests, central mounted



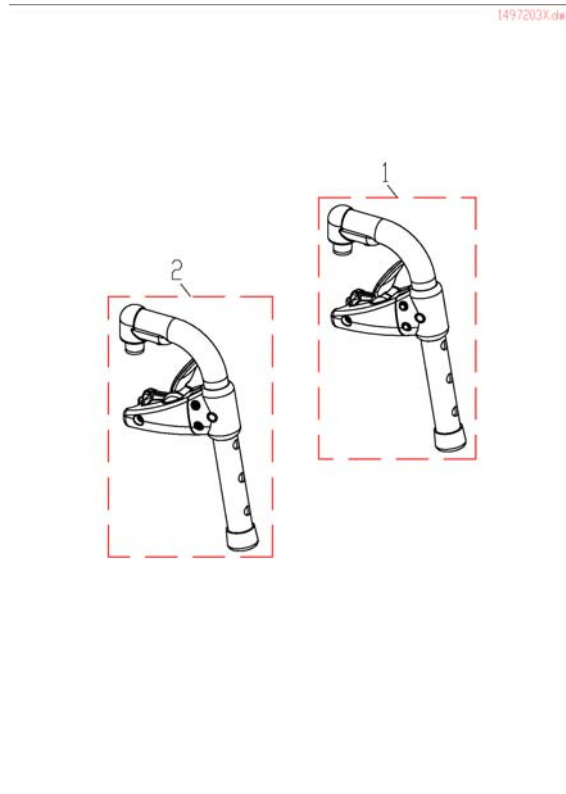
Pos.	Part number	Description	Valid from → until	Qty
1	SP1498331	Central Legrest, Upper Part, elec., cpl.		1
2	SP1440290	Central Lower Legrest, small (32-38cm), cpl.		1
2	SP1440291	Central Lower Legrest, medium (38-44cm), cpl.		1
2	SP1440292	Central Lower Legrest, large (44-50cm), cpl.		1
3	1436076	CALF PLATE WITH HOLDER LH		1
4	1440594	CALF PLATE WITH HOLDER RH		1

Hanger electrical



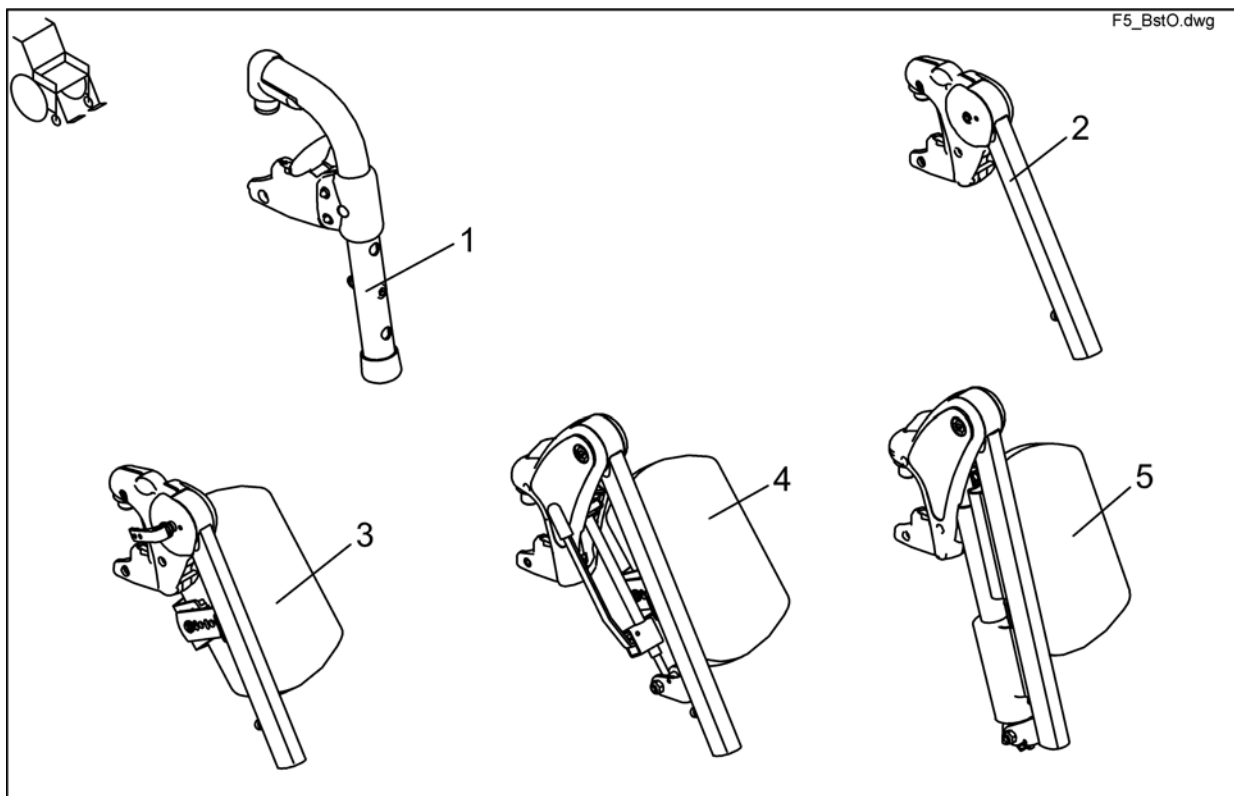
Part.	Pos.
a-c	9
l-q	10
v-z	11

Pos.	Part number	Description	Valid from → until	Qty
1	1436076	CALF PLATE WITH HOLDER LH		1
1	1440594	CALF PLATE WITH HOLDER RH		1
2	1440600	ACTUATOR ELECTRICAL LEGREST 90°		1
2	1440592	ACTUATOR ELECTRICAL LEGREST 100°		1
3,4	SP1440593	Gas Pressure Spring cpl.		1
4	1441590	Assembly lever, frame		1
5	1440603-9005	Support for release lever		1
6	1442727-9005	Support for release lever (Arne Jensen only)		1
7	1434389-9006	Housing		1
8	SP1436082	Arm 3 with bushes		1
9	1440620	MOUNTING KIT FOR CALF PLATE (ELECTRICAL VERSION)		1
10	1440621	MOUNTING KIT ACTUATOR		1
11	1440622	MOUNTING KIT GAS PRESSURE SPRING		1
12	1434424-9005	Part not for sale		1
13	1440477-0004	Footplatbracket electric leg support		1



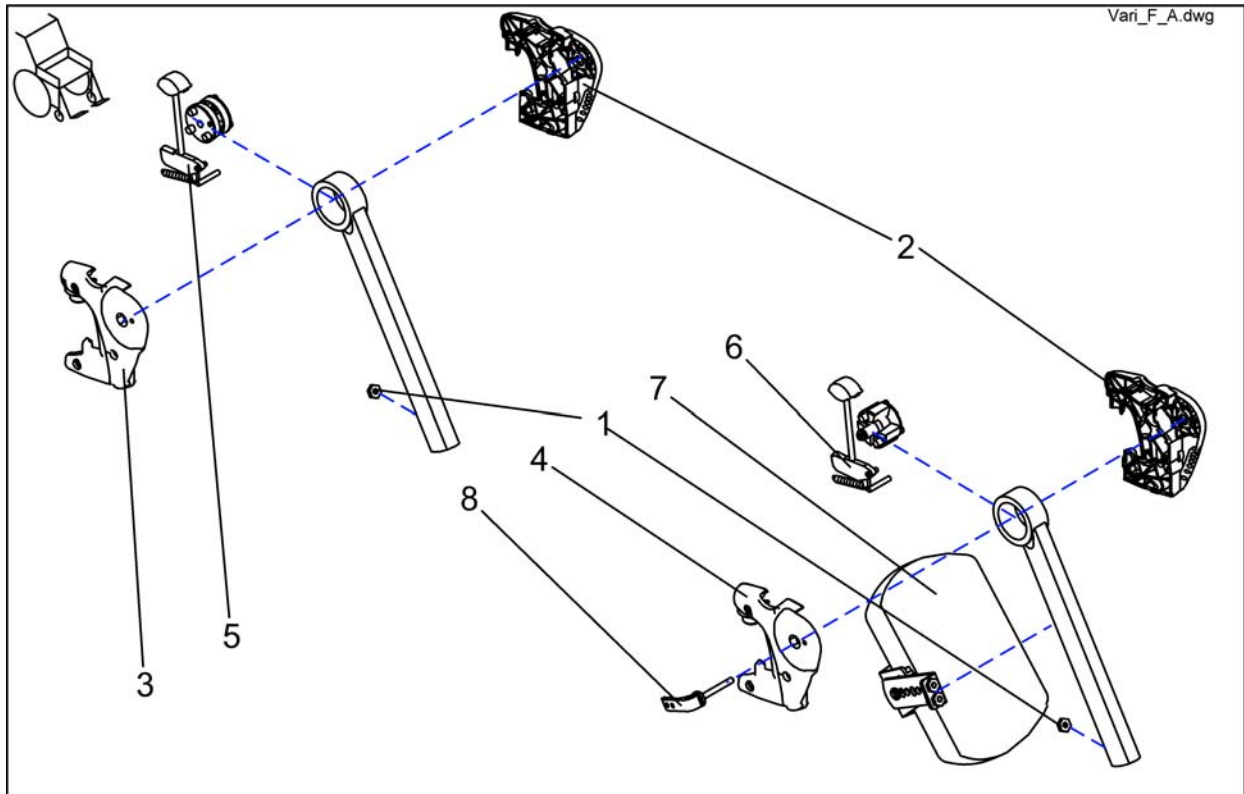
Pos.	Part number	Description	Valid from → until	Qty
1	1497203	Hanger Standard 80° RH, black		1
2	1497204	Hanger Standard 80° LH, black		1

Hanger



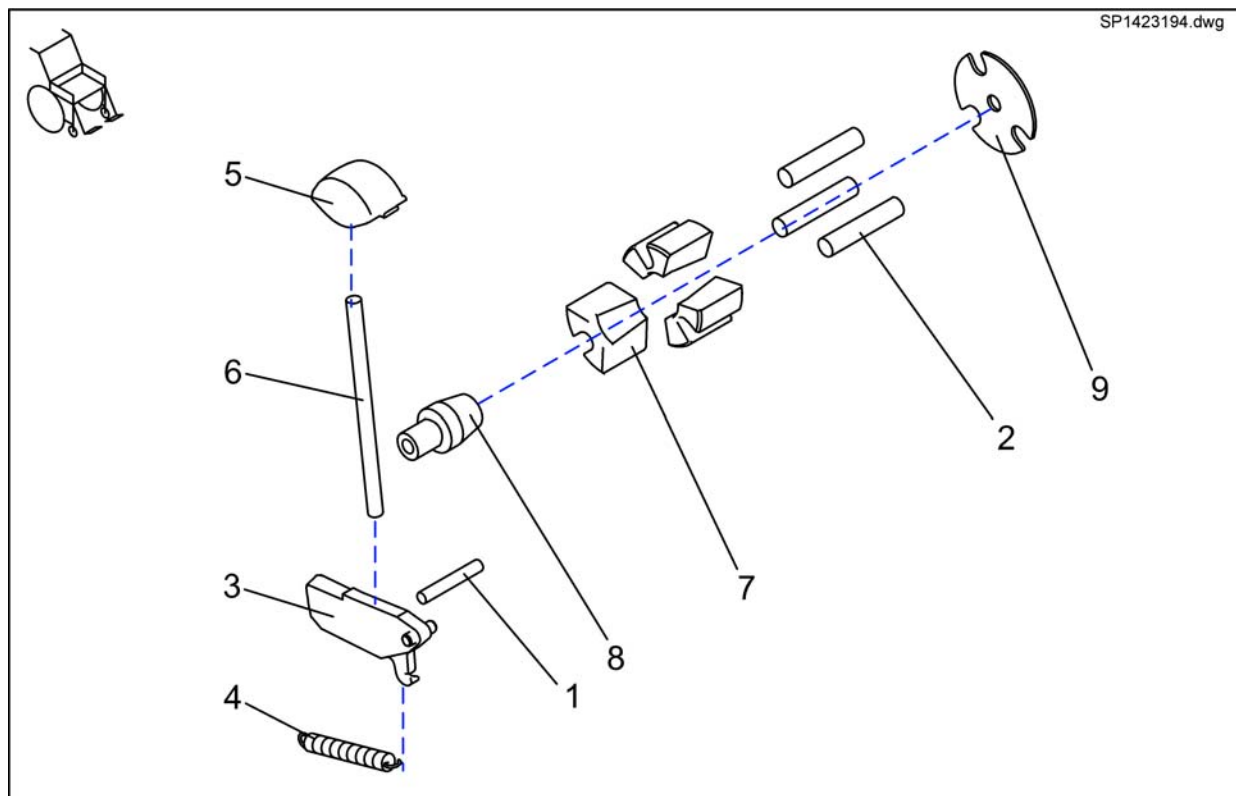
Pos.	Part number	Description	Valid from → until	Qty
	1430115	LEGRESTS STORM 3 EURO RH CPL.		1
	1430116	LEGRESTS STORM 3 EURO LH CPL.		1
	1430117	LEGRESTS STORM 3 EURO CPL. (PAIR)		1
1	B273002P92	Hanger CPL Std RH -Silver		1
1	B273003P92	Hanger CPL Std LH -Silver		1
2	SP1422563	UPPER FOOTREST RH (90°-65°) CPL.		1
2	SP1422564	UPPER FOOTREST LH (90°-65°) CPL..		1
3	SP1422565	UPPER FOOTREST LH, MANUAL HEIGHT ADJUSTMENT, CPL.		1
3	SP1422566	UPPER FOOTREST RH, MANUAL HEIGHT ADJUSTMENT CPL.		1
4	SP1422567	UPPER FOOTREST T RH 80°, MANUAL HEIGHT ADJUSTMENT CPL.		1
4	SP1422568	UPPER FOOTREST LH 80°, MANUAL HEIGHT ADJUSTMENT, CPL.		1
5	SP1422569	UPPER FOOTREST RH, ELECTRIC HEIGHT ADJUSTMENT, CPL.		1
5	SP1422570	UPPER FOOTREST LH, ELECTR. HEIGHT ADJUSTMENT, CPL.		1

Vari F+A Detailed ==>06.2005



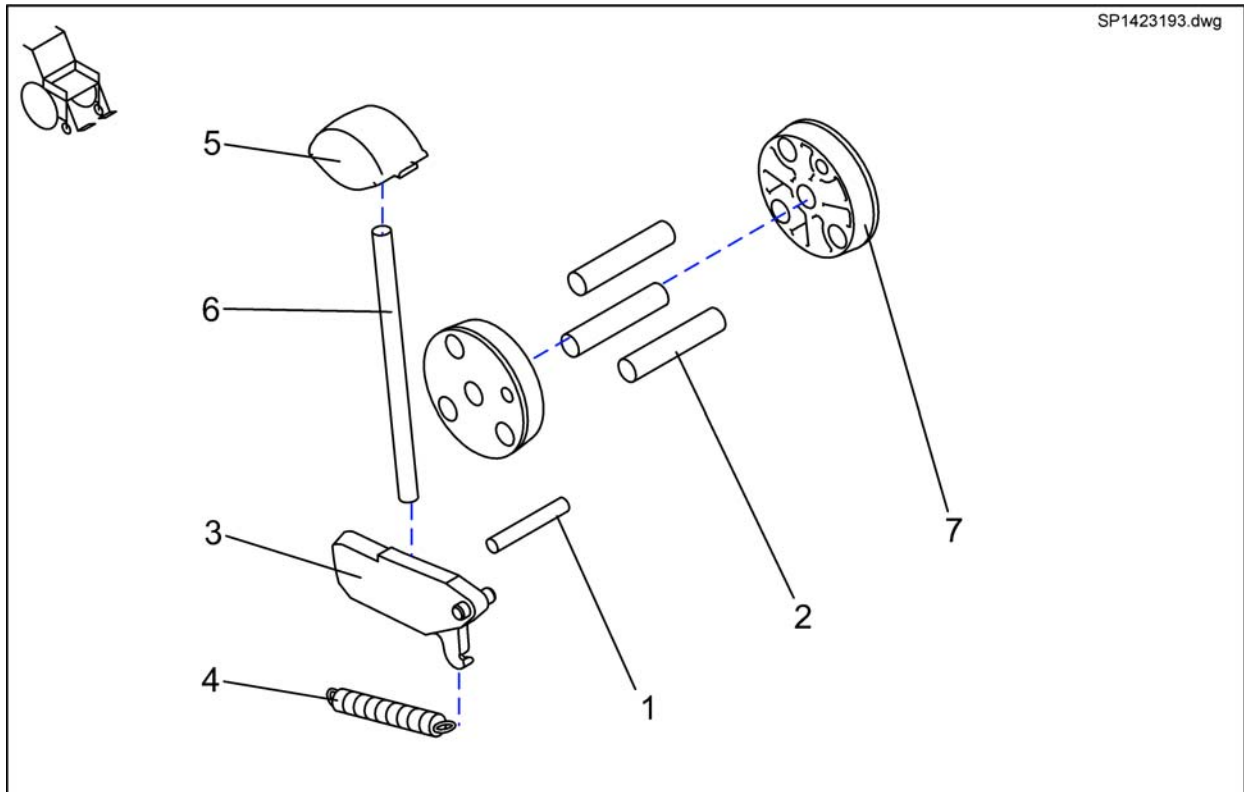
Pos.	Part number	Description	Valid from → until	Qty
1	Z173189.99	NUT M6 WIDTH ACROSS FLATS 14		1
2	Z173181	LEGREST HANGER COVER LH, VARI F		1
3	Z173182	LEGREST HANGER COVER RH, VARI F		1
4	Z173193	LEGREST HANGER COVER, LH		1
4	Z173194	LEGREST HANGER COVER RH		1
5	SP1423193	RELEASE UNIT ASSEMBLY KIT		1
6	SP1423194	RELEASE UNIT ASSEMBLY KIT F. LEGREST W. MAN. HEIGHT ADJUSTMENT		1
7	SPZ174163	CALF SUPPORT (VARI A) CPL.		1
7	6301333	Legrest Calf Panel		1
8	L32906	CLAMPING LEVER M6		1

Release unit assembly kit Vari A ==>06.2005



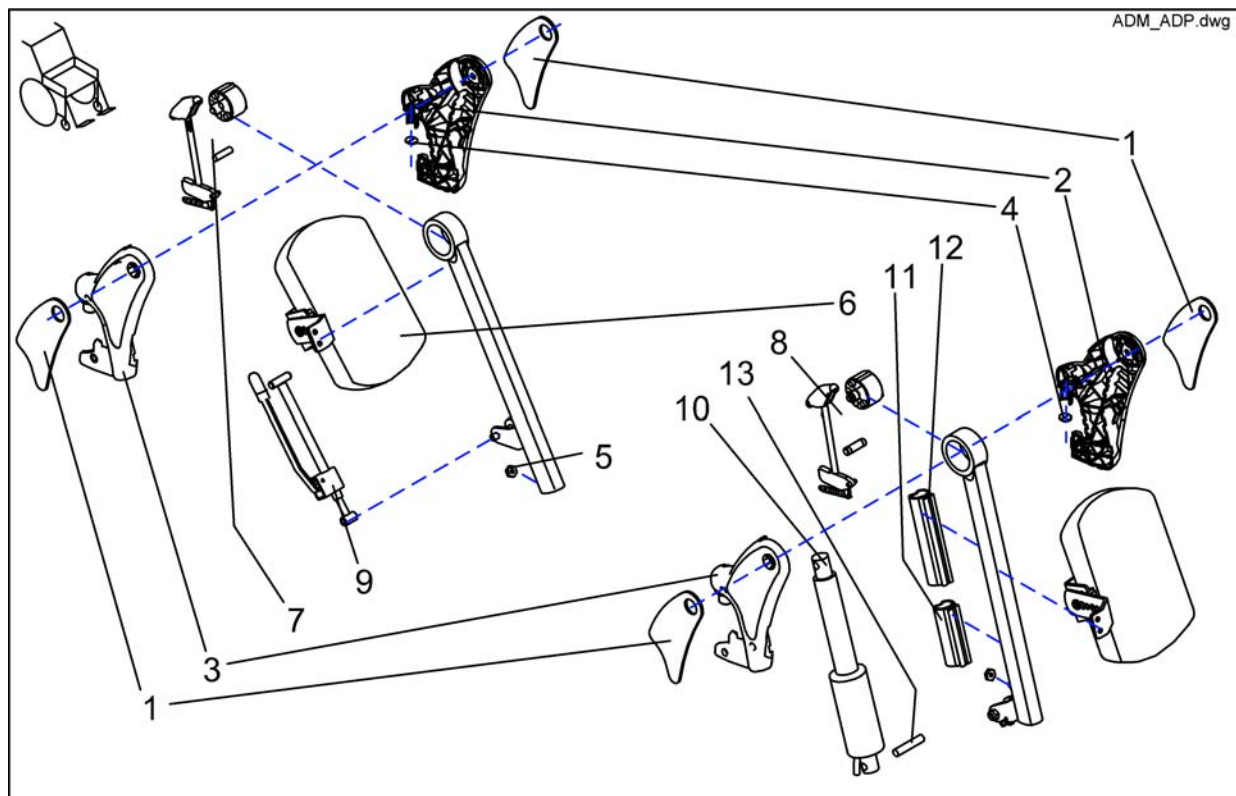
Pos.	Part number	Description	Valid from → until	Qty
-	SP1423194	RELEASE UNIT ASSEMBLY KIT F. LEGREST W. MAN. HEIGHT ADJUSTMENT		1
1	-	DOWEL RD. 5 X 32; DIN-7		1
2	-	DOWEL RD. 8 X 40, DIN-7		1
3	-	LOCK LEVER		1
4	-	PULL SPRING		1
5	-	TRIP LEVER		1
5	-	RELEASE KNOB		1
6	-	PUSH ROD		1
7	-	CLAMP BLOCK		1
8	-	CONE		1
9	-	LOCATING PLATE		1

Release unit assembly kit Vari F ==>06.2005



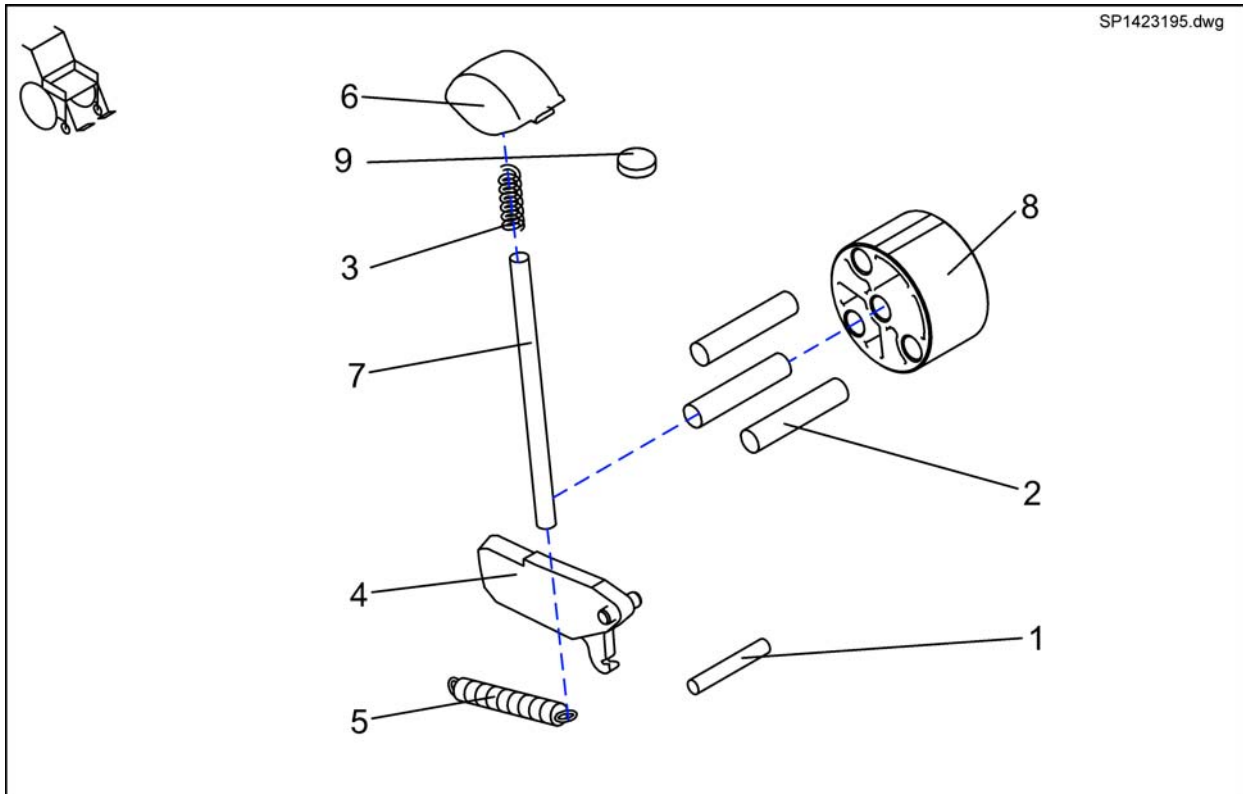
Pos.	Part number	Description	Valid from → until	Qty
-	SP1423193	RELEASE UNIT ASSEMBLY KIT		1
1	-	DOWEL RD. 5 X 32; DIN-7		1
2	-	DOWEL RD. 8 X 40, DIN-7		1
3	-	LOCK LEVER		1
4	-	PULL SPRING		1
5	-	TRIP LEVER		1
5	-	RELEASE KNOB		1
6	-	PUSH ROD		1
7	-	CONED WASHER		1

ADM + ADP Detailed



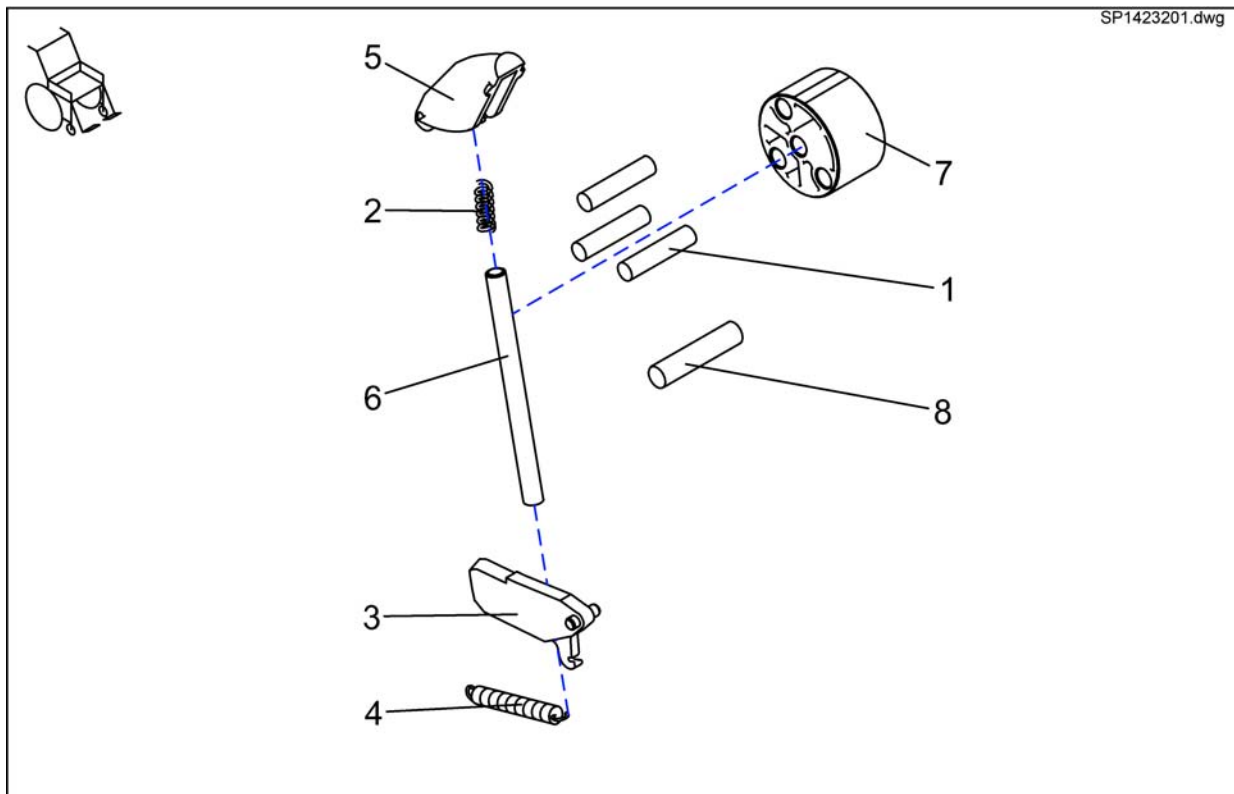
Pos.	Part number	Description	Valid from → until	Qty
1	1435024	KNEE PAD ADM (PAIR LH/RH)		1
2	Z174111	HANGER (AD) LH		1
3	Z174110	HANGER (AD) RH		1
4	-	ADP-PLATE		1
5	Z173189.99	NUT M6 WIDTH ACROSS FLATS 14		1
6	6301333	Legrest Calf Panel		1
6	SPZ174164	CALF SUPPORT ASSY (VARI AD)		1
7	SP1423195	RELEASE UNIT ASSEMBLY KIT F. LEGREST 80° W. MAN. HEIGHT ADJUSTMENT		1
8	SP1423201	RELEASE UNIT ASSEMBLY KIT F. LEGREST W. ELECTR. HEIGHT ADJUSTMENT		1
9	SPZ174130	ADM Adjustment mechanism cpl.		1
10	SPZ151006	Actuator With Circuit Board, Preassembled		1
11	Z174174	LOWER GUARD		1
12	SP1509486	Plastiktube		1
13	4000665-0002	SPACER BUSH 10X1X22.5		1

Release unit assembly kit ADM ==>06.2005



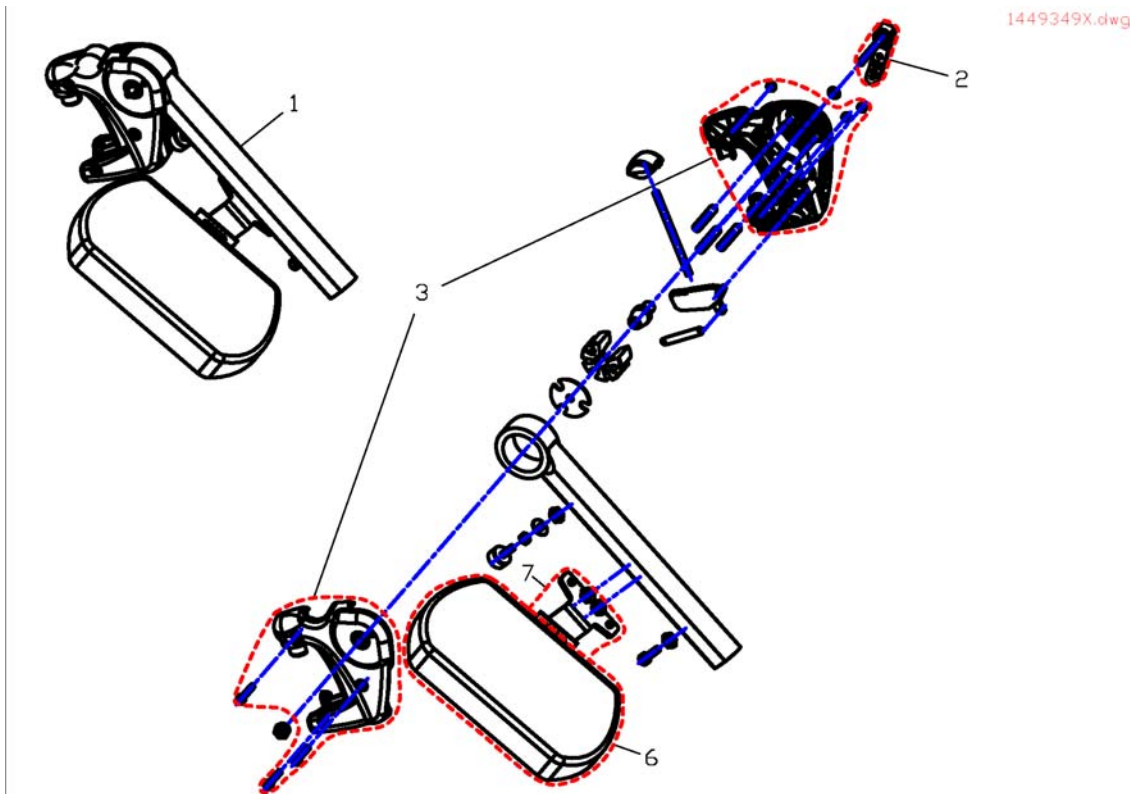
Pos.	Part number	Description	Valid from → until	Qty
-	SP1423195	RELEASE UNIT ASSEMBLY KIT F. LEGREST 80° W. MAN. HEIGHT ADJUSTMENT		1
1	-	DOWEL RD. 8 X 30		1
2	-	DOWEL RD. 8 X 36		1
3	-	COMPRESSION SPRING L0=16, 4 D=0, 5 DA=5, 5		1
4	-	LOCK LEVER		1
5	-	PULL SPRING		1
6	-	RELEASE LEVER (AD)		1
7	-	PUSH ROD		1
8	-	SLIDING BUSHING		1
9	-	ADP-PLATE		1

Release unit assembly kit ADP ==>06.2005



Pos.	Part number	Description	Valid from → until	Qty
-	SP1423201	RELEASE UNIT ASSEMBLY KIT F. LEGREST W. ELECTR. HEIGHT ADJUSTMENT		1
1	-	DOWEL RD. 8 X 36		1
2	-	COMPRESSION SPRING L0=16, 4 D=0, 5 DA=5, 5		1
3	-	LOCK LEVER		1
4	-	PULL SPRING		1
5	-	RELEASE LEVER (AD)		1
6	-	PUSH ROD		1
7	-	SLIDING BUSHING		1
8	-	PIVOT BUSH		1

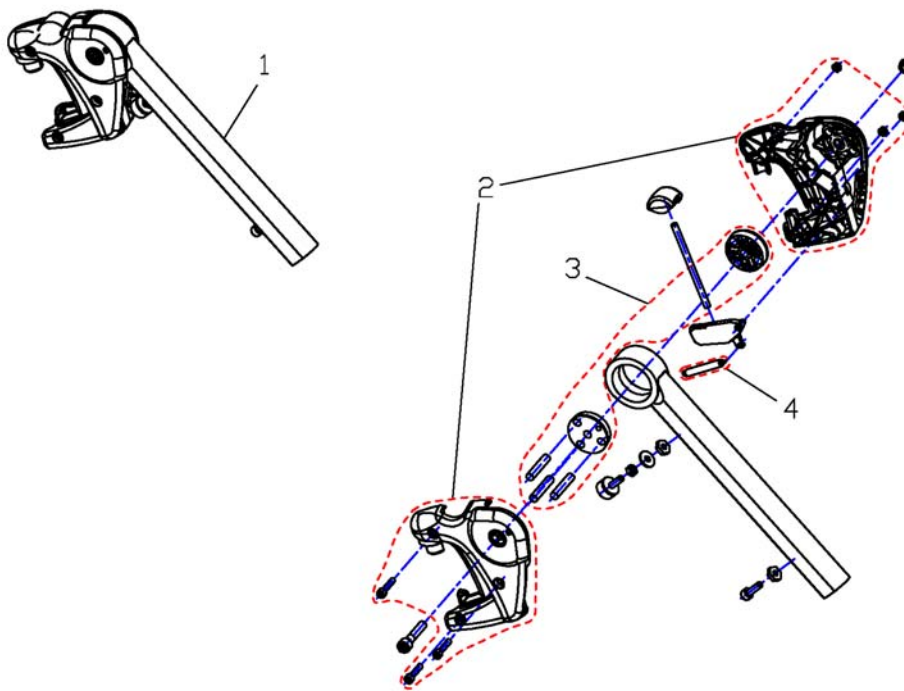
Vari A Hanger RH/LH 07.2005 ==>



Pos.	Part number	Description	Valid from → until	Qty
-	SP1527820	Rework-Kit VariA-Legrest Version 1 ==> Version 2	→ 20090401	1
1	SP1527498	Hanger Vari A LH, cpl.		1
1	SP1527492	Hanger Vari A RH, cpl.		1
2	SPL32906	Excentric Clamping Lever		1
3	SP1434955	Cover Legrest cpl.		1
4	SPZ173206.80	Clamging		1
5	SPZ173178	Spring		1
6	6301333	Legrest Calf Panel		1
7	SP1450447	Calf Pad Holder Left Turnable, cpl.		1
7	SP1450446	Calf Pad Holder Right Turnable, cpl.		1

Vari F Hanger RH/LH 07.2005 ==>

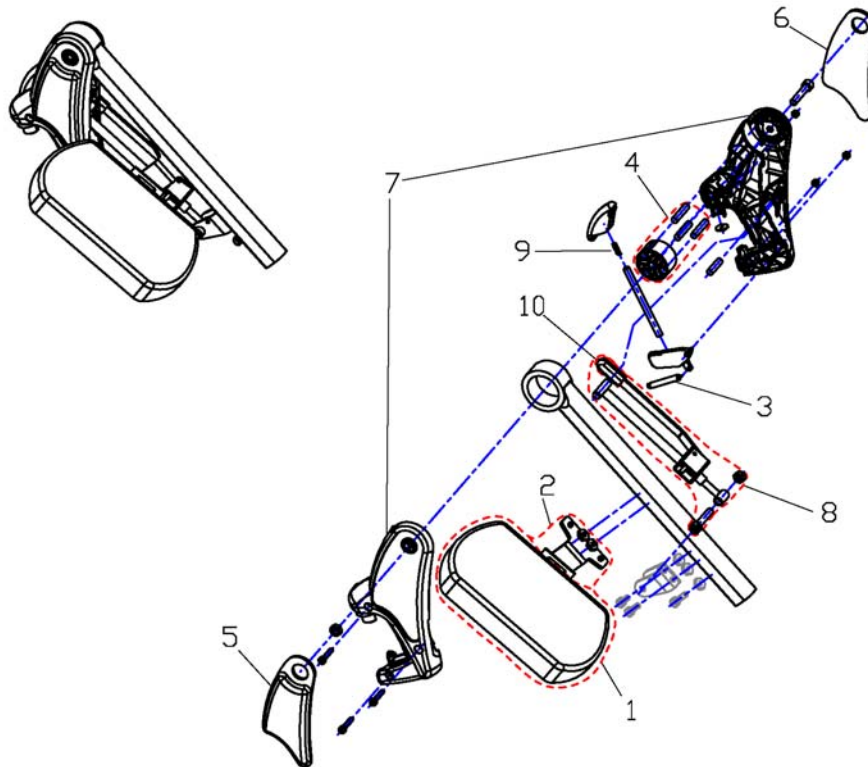
1449347X.dwg



Pos.	Part number	Description	Valid from → until	Qty
1	SP1449347	Hanger Vari F LH cpl.		1
1	SP1449346	Hanger Vari F RH cpl.		1
2	SP1434955	Cover Legrest cpl.		1
3	1434956	Mechanic		1
4	SPZ173178	Spring		1

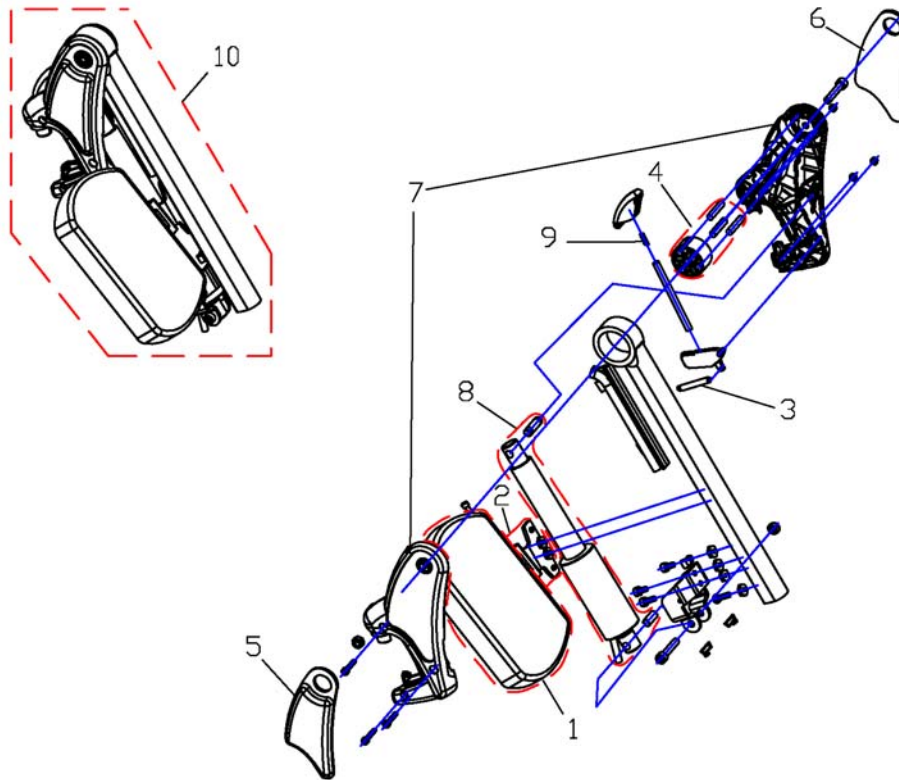
ADM Hanger RE/LI (manuell) 07.2005 ==>

1449409X.dwg



Pos.	Part number	Description	Valid from → until	Qty
1	6301333	Legrest Calf Panel		1
2	SP1450447	Calf Pad Holder Left Turnable, cpl.		1
2	SP1450446	Calf Pad Holder Right Turnable, cpl.		1
3	SPZ173178	Spring		1
4	SPZ174134	Floating Cylinder With Pin		1
5	SP1450410	Knee Upholstery LH		1
6	SP1450448	Knee Upholstery RH		1
7	SP1449293	Ad-Cover cpl.		1
8	SPZ174130	ADM Adjustment mechanism cpl.		1
9	SPN12196	Spring		1
10	SP1006490	Cap for tripping lever		1
11	SP1449410	Hanger ADM RH cpl.		1
11	SP1449409	Hanger ADM LH cpl.		1

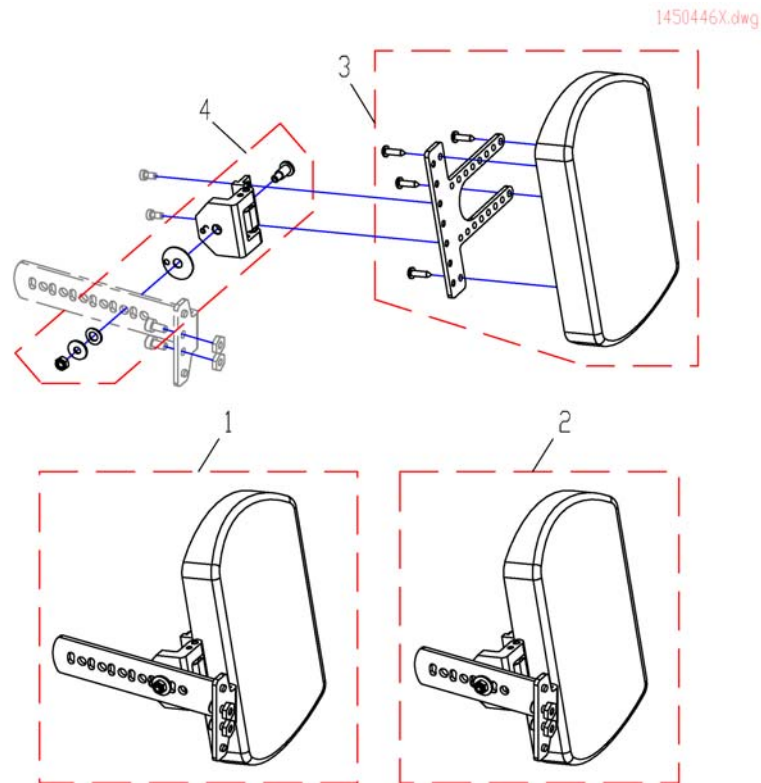
ADE Hanger RH/LH elektrisch 07.2005 ==>



1449407X.dwg

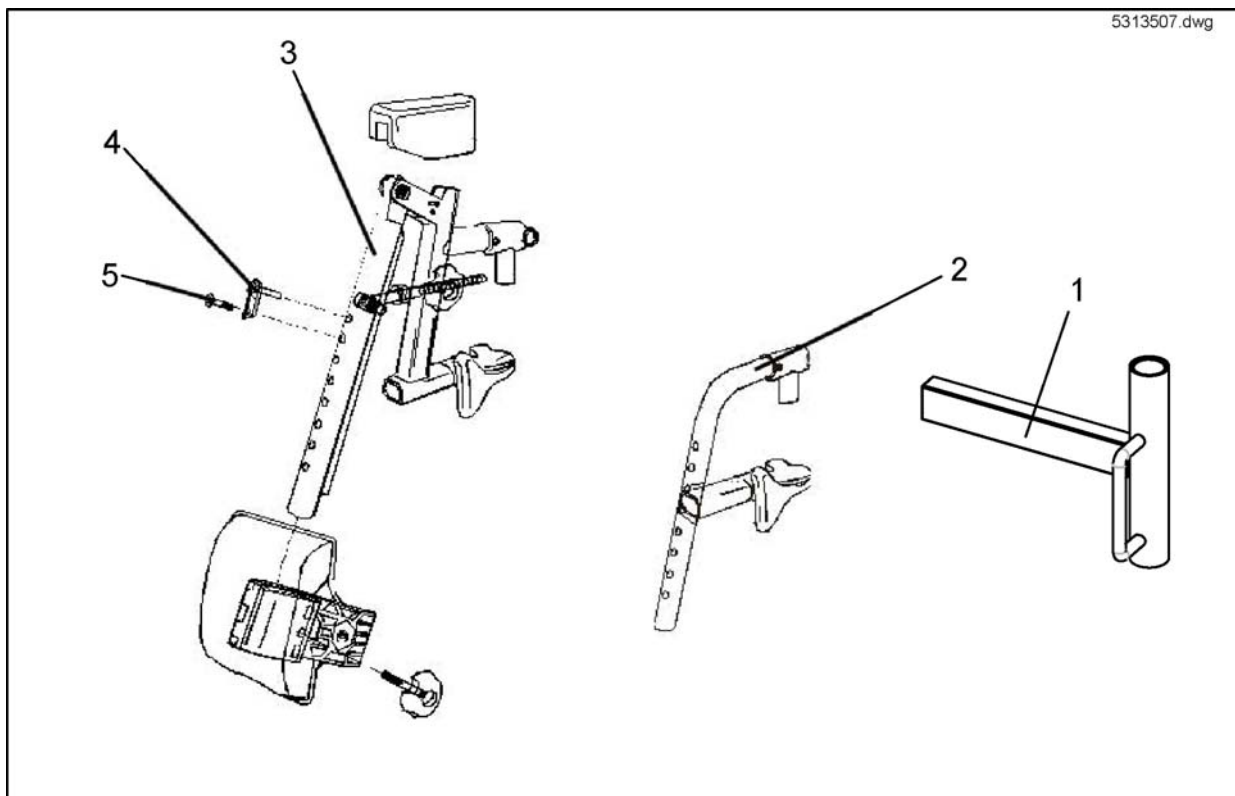
Pos.	Part number	Description	Valid from → until	Qty
1	6301333	Legrest Calf Panel		1
2	SP1450446	Calf Pad Holder Right Turnable, cpl.		1
2	SP1450447	Calf Pad Holder Left Turnable, cpl.		1
3	SPZ173178	Spring		1
4	SPZ174134	Floating Cylinder With Pin		1
5	SP1450410	Knee Upholstery LH		1
6	SP1450448	Knee Upholstery RH		1
7	SP1449293	Ad-Cover cpl.		1
8	SPZ151006	Actuator With Circuit Board, Preassembled		1
9	SPN12196	Spring		1
10	SP1449408	Hanger ADP RH cpl.		1
10	SP1449407	Hanger ADP LH cpl.		1

Calf Plate Holder LH/RH 07.2005 ==>



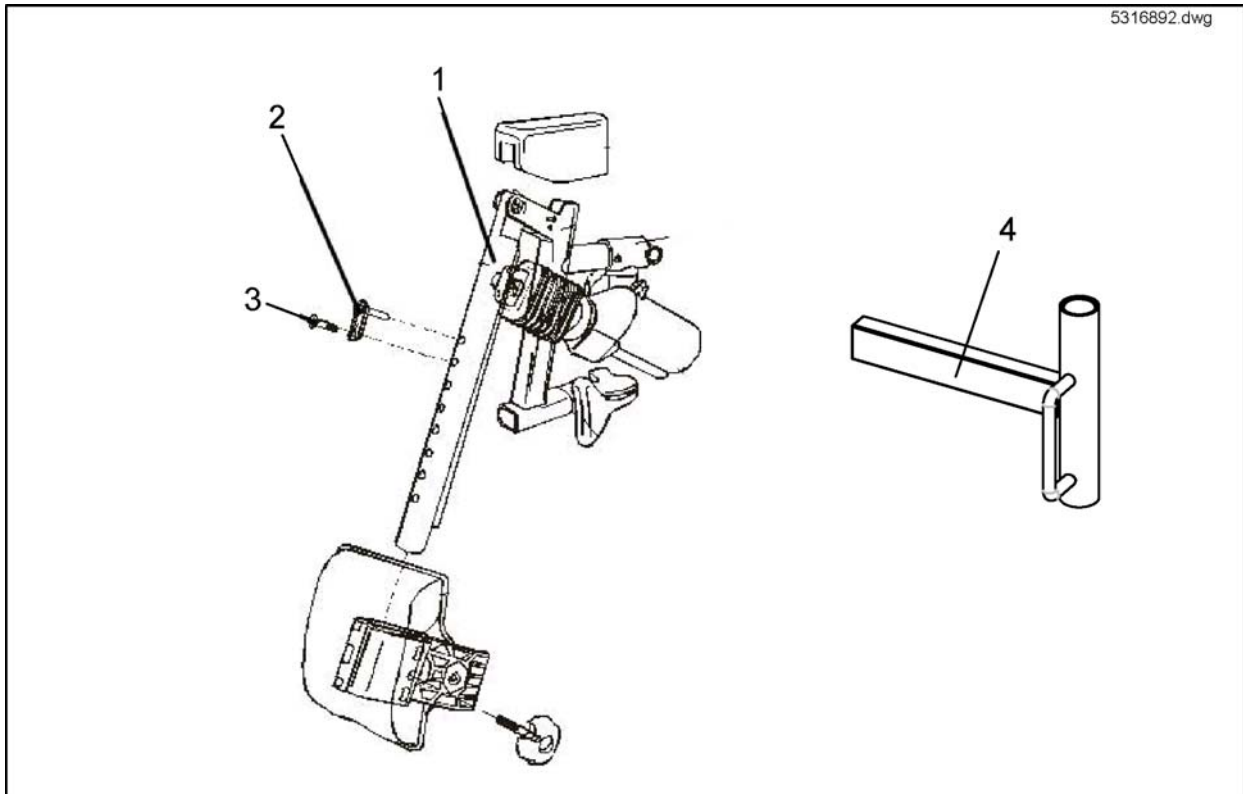
Pos.	Part number	Description	Valid from → until	Qty
1	SP1450447	Calf Pad Holder Left Turnable, cpl.		1
1	SP1450446	Calf Pad Holder Right Turnable, cpl.		1
2	SP1487409	Calf Plate Holder for Recaroseat RH		1
2	SP1487410	Calf Plate Holder for Recaroseat LH		1
3	SP1449021	Assembly Kit, Calf Plate Holder		1
4	SP1450226	CALF PLATE HINGE, RH		1
4	SP1450225	CALF PLATE HINGE, LH		1

Moover Legrests, manually, right and left



Pos.	Part number	Description	Valid from → until	Qty
1	1426897-9005	Part not for sale		1
1	1426898-9005	Part not for sale		1
2	5103204-C9005	FOOTR U.PART RI CPL		1
2	5103205-C9005	FOOTR U.PART LE CPL		1
3	5313507	LEGREST UPPER PART ANGLE		1
3	5313508	LEGREST UPPER PART ANGLE		1
4	5104959	TWISTLOCK		1
5	5824348	M6X20 ALLEN SCREW DIN 69		1

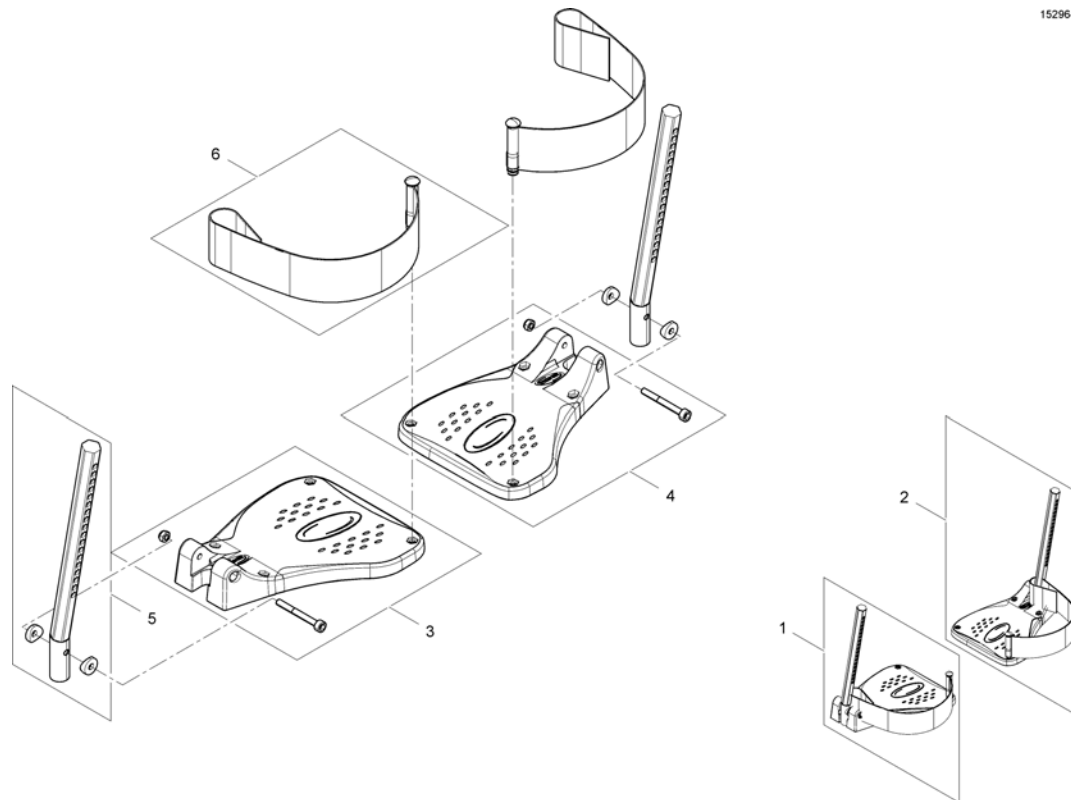
Moover Legrests electrically, right and left



Pos.	Part number	Description	Valid from → until	Qty
-	5316892	Part not for sale		1
-	5316893	Part not for sale		1
2	5104959	TWISTLOCK		1
3	5824348	M6X20 ALLEN SCREW DIN 69		1
4	SP1492112	Part not for sale		1
4	SP1492111	Part not for sale		1

Footplate flip up 01.08.10 ==>

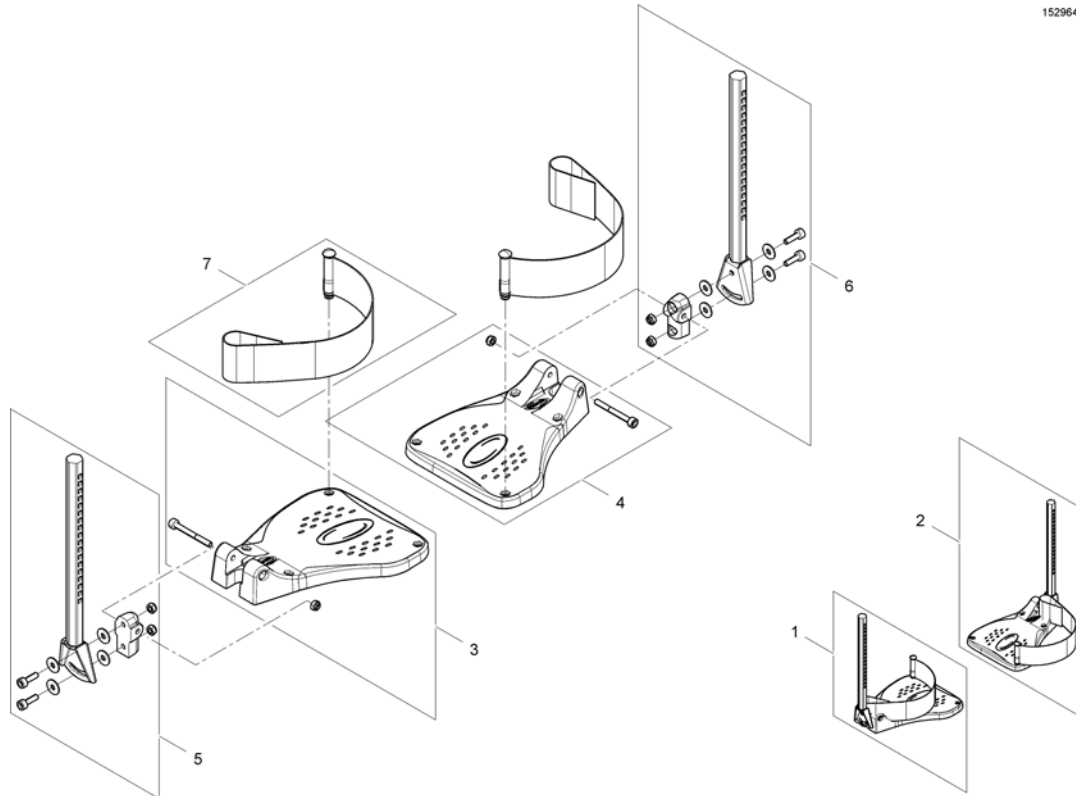
1529644X.iso



Pos.	Part number	Description	Valid from → until	Qty
1	SP1541575	Footplate flip up, LH, cpl.		1
2	SP1541574	Footplate flip up, RH, cpl.		1
3	SP1529645	FOOTPLATE LH		1
4	SP1529644	FOOTPLATE RH		1
5	SP1543045	Plug-in tube		1
6	SP1423202	HEEL STRAP CPL.		1

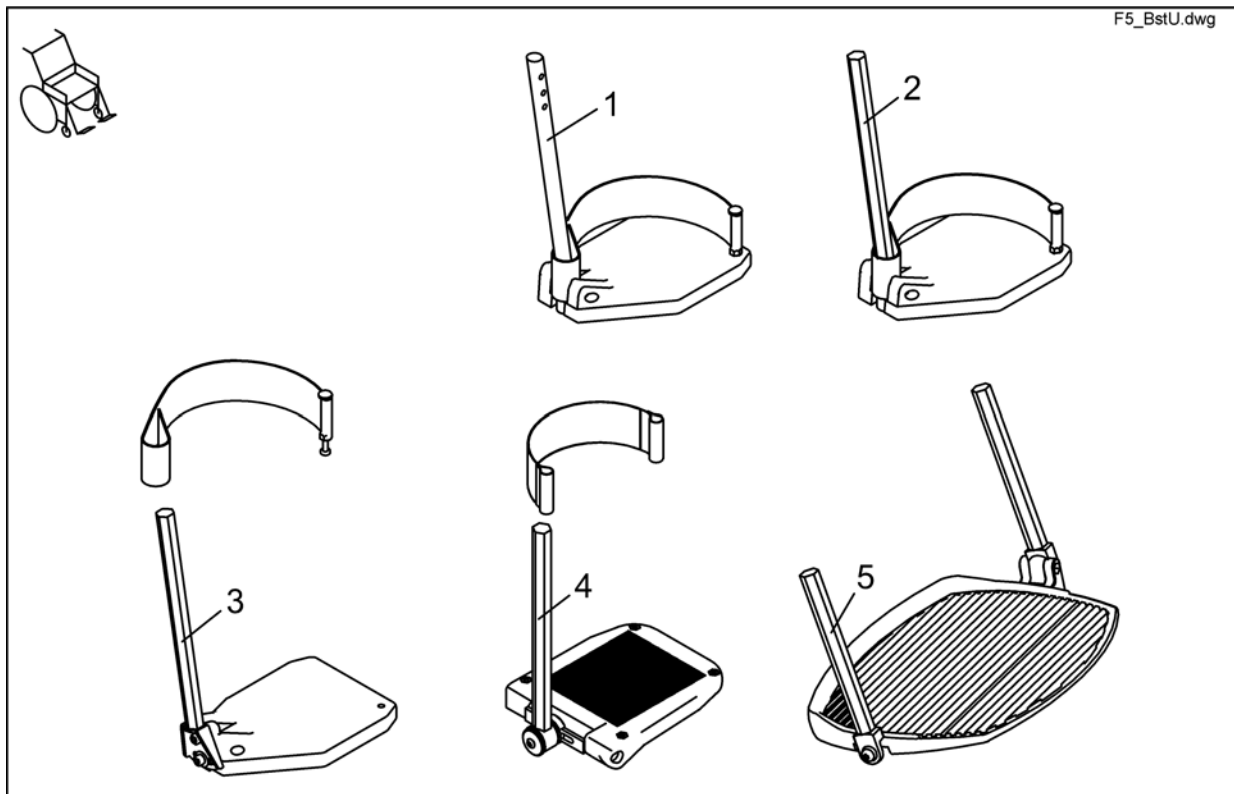
Footplate flip up, angle-adjustable 01.08.10 ==>

1529645X.iso



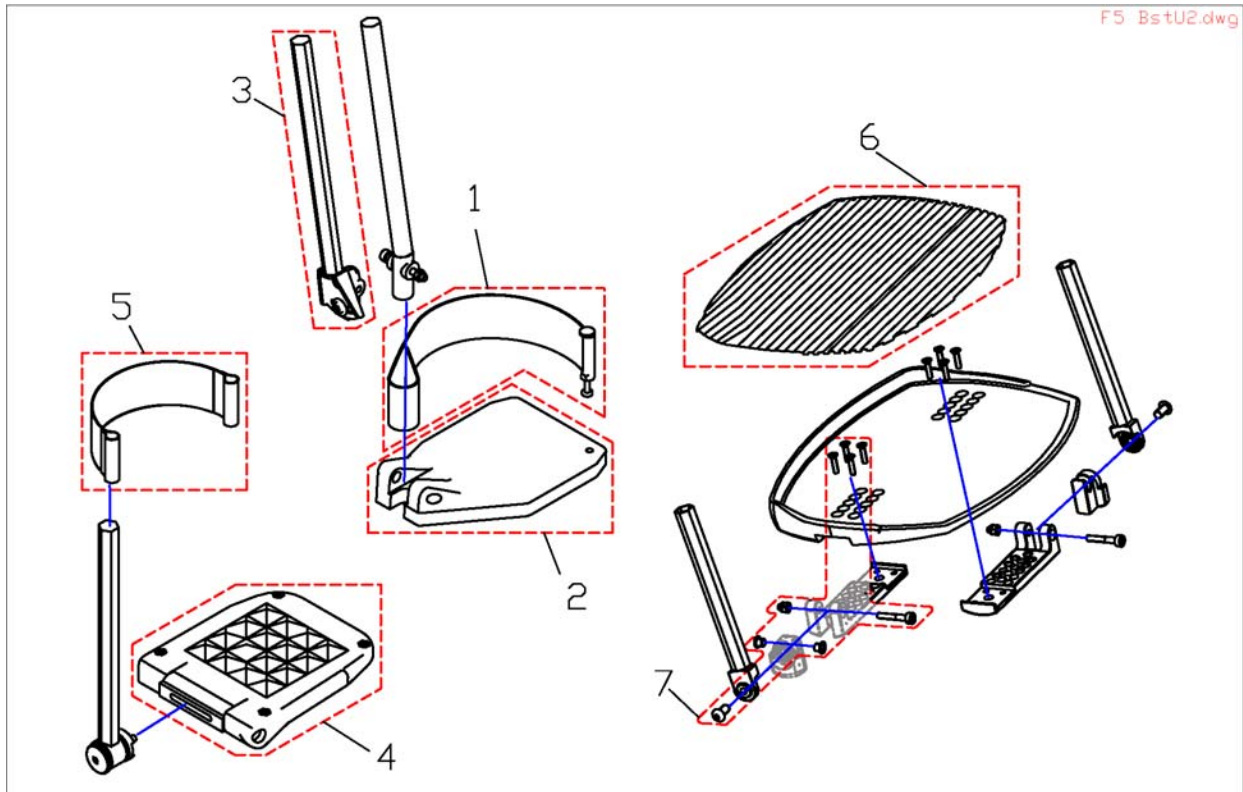
Pos.	Part number	Description	Valid from → until	Qty
1	SP1541580	Footplate flip up, angle adjustable, LH, cpl.		1
2	SP1541579	Footplate flip up, angle adjustable, RH, cpl.		1
3	SP1529645	FOOTPLATE LH		1
4	SP1529644	FOOTPLATE RH		1
5	SP1423204	FOOT PLATE TUBE, ANGLE ADJUSTMENT LH CPL.		1
6	SP1423203	FOOT PLATE TUBE, ANGLE ADJUSTMENT RH CPL.		1
7	SP1423202	HEEL STRAP CPL.		1

Lower Footrests



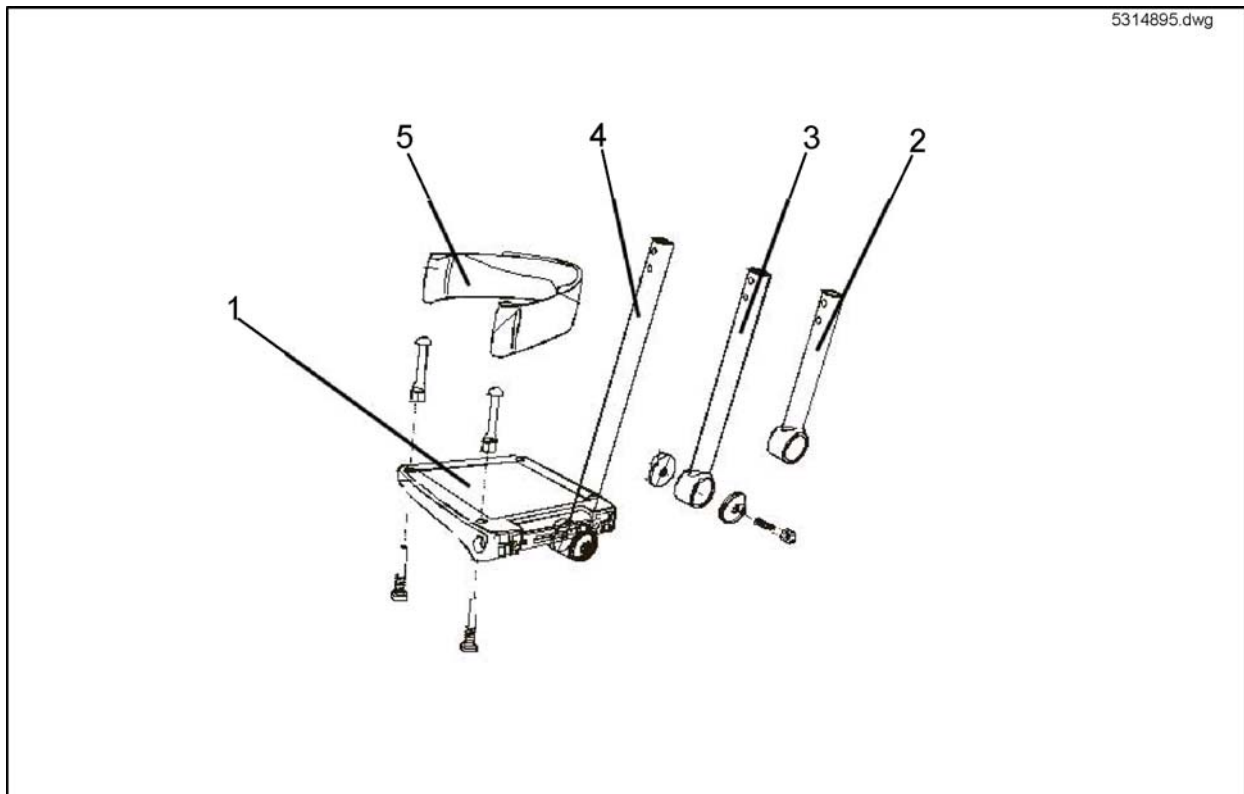
Pos.	Part number	Description	Valid from → until	Qty
1	B273009	FOOTREST CPL. STD. 80 RH		1
1	B273010	FOOTREST CPL. STD. 80 LH		1
2	SP1421662	Footplate RH fix, with Support Tube cpl.		1
2	SP1421663	Footplate LH fix, with Support Tube cpl.		1
3	SP1421664	Footplate RH anlage adjustable, with Support Tube cpl.		1
3	SP1421665	Footplate LH anlage adjustable, with Support Tube cpl.		1
4	SP1419345	Foot Plate RH Angle And Depth Adjustable cpl.		1
4	SP1419344	Footplate LH Anlage And Depth Adjustable, With Support Tube cpl.		1
5	SP1423156	PRE-ASSEMBLED FOOT BOARD		1

Lower Legrests Detailed



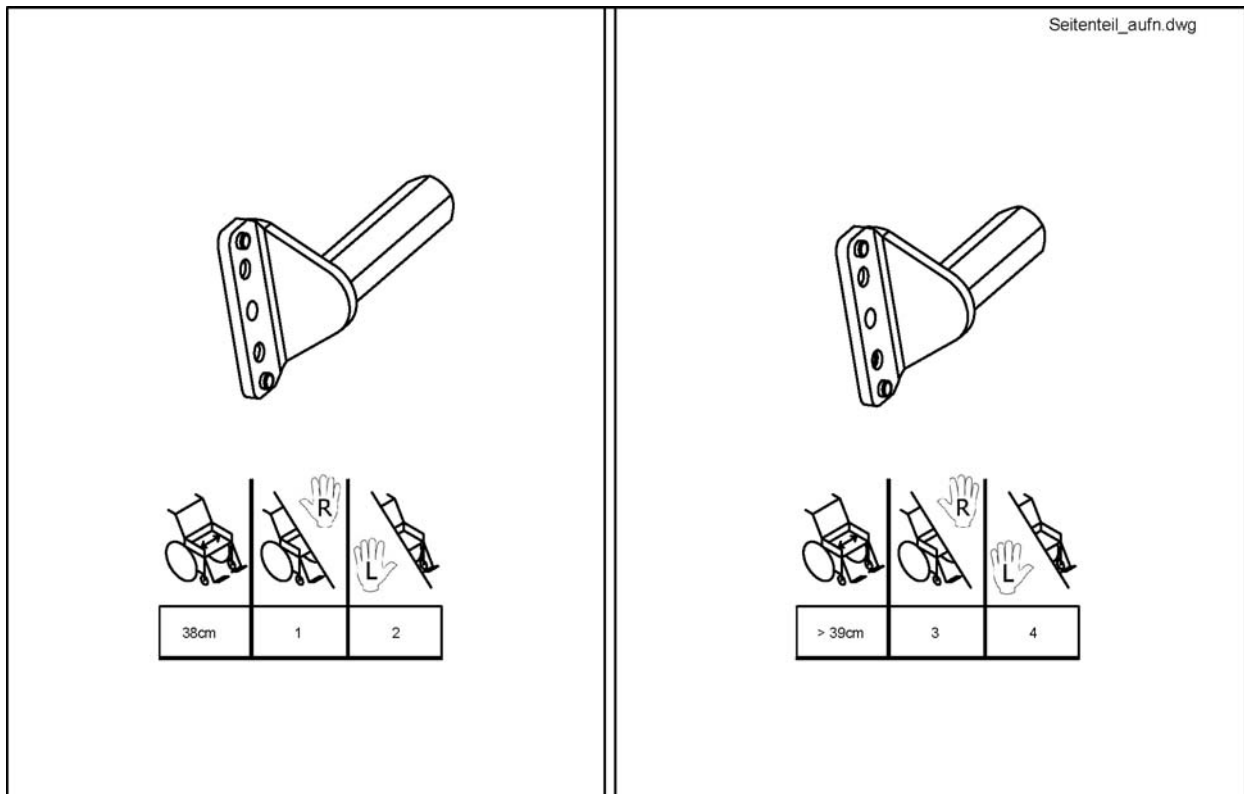
Pos.	Part number	Description	Valid from → until	Qty
c	-	NYLOC NUT M8 DIN 985		1
b	1417938	SPACER		1
e	-	Bolt M6X35 DIN 912		1
d	-	BUSH BB 0608 DU		1
a	-	DOMED NYLOC NUT M6, SELF-LOCKING		1
1	SP1423202	HEEL STRAP CPL.		1
2	Z173218	AT 2000 footplate		1
2	Z173217	AT 2000 footplate		1
3	SP1423203	FOOT PLATE TUBE, ANGLE ADJUSTMENT RH CPL.		1
3	SP1423204	FOOT PLATE TUBE, ANGLE ADJUSTMENT LH CPL.		1
4	5106376	FOOTPLATE 18 AA, CPL.		1
5	5321579	HEEL LOOP, PAIR		1
6	Z174159	FOOTPLATERUBBER		1
7	SP1423444	FOOT BOARD MOUNTING KIT		1

Moover Legrests Lower Parts



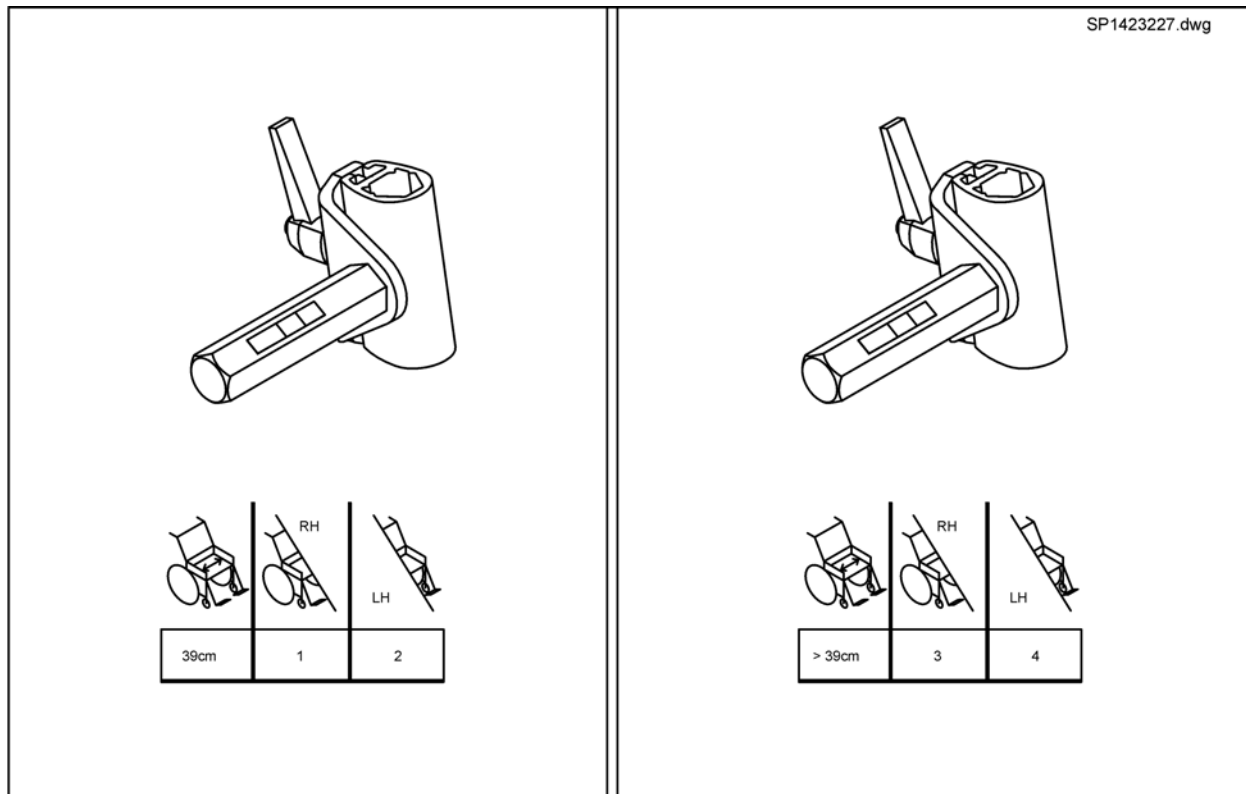
Pos.	Part number	Description	Valid from → until	Qty
1	5313506	FOOTPLATE ADAPT 50 CPL.		1
2	5314760	PLUG-IN TUBE (SHORT)		1
3	5314752	PLUG-IN TUBE (MIDDLE)		1
4	5314759	PLUG-IN TUBE (LONG)		1
5	5321579	HEEL LOOP, PAIR		1

Side part receptacles single

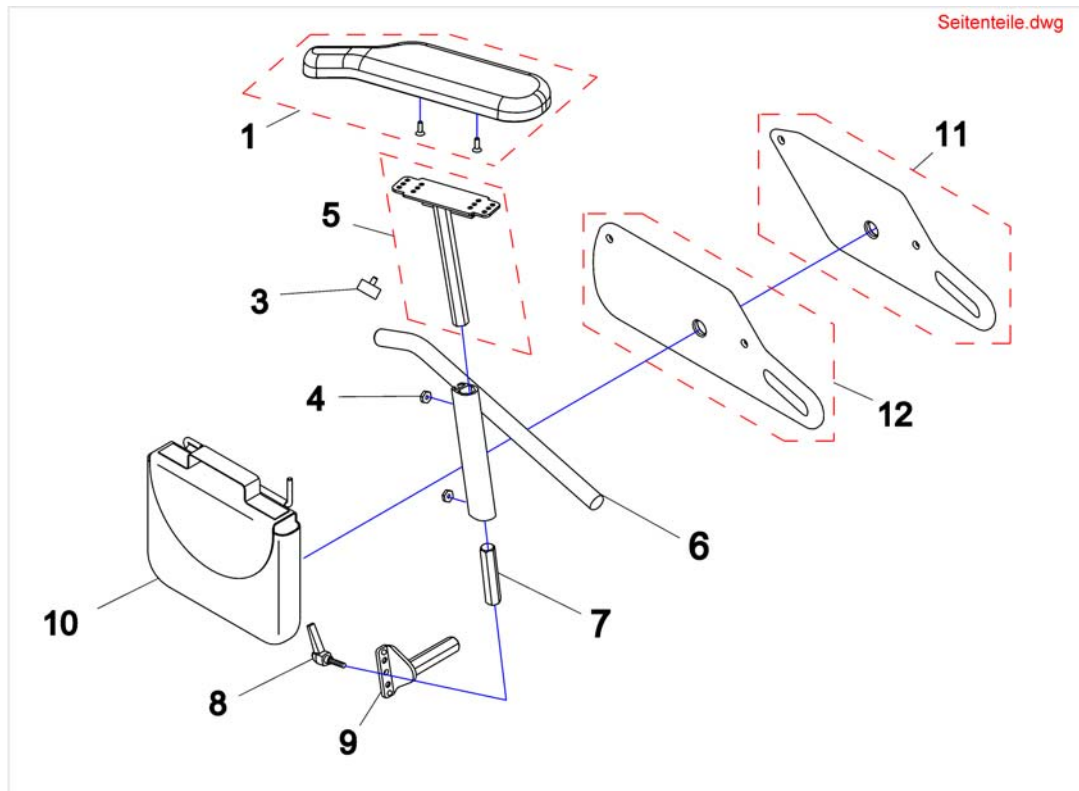


Pos.	Part number	Description	Valid from → until	Qty
1	1422114-9005	SIDE PART RECEPTACLE RH SB=39CM		1
2	1422115-9005	SIDE PART RECEPTACLE LH SB=39CM		1
3	1422089-9005	SIDE PART RECEPTACLE RH SB=39CM		1
4	1422097-9005	SIDE PART RECEPTACLE LH SB>39CM		1

Side part receptacles complete



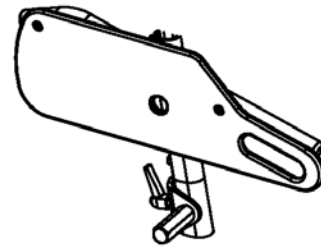
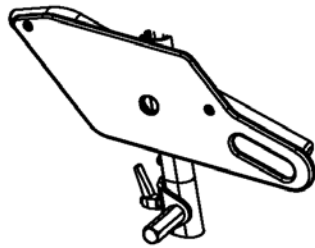
Pos.	Part number	Description	Valid from → until	Qty
1	SP1423226	SIDE PART RECEPTACLE RH (SB=39) CPL.		1
2	SP1423227	SIDE PART RECEPTACLE (SB=39) LH CPL.		1
3	SP1423223	Side part receptatcle RH, cpl.		1
4	SP1423225	Side part receptatcle LH, cpl.		1



Pos.	Part number	Description	Valid from → until	Qty
1	SP1528845	Armpad, long, RH (376mm)		1
1	SP1528846	Armpad, long, LH (376mm)		1
1	SP1449043	Armpad RH (326mm)	20090101 →	1
1	SP1443004	Armpad LH (326mm)	20090101 →	1
3	-	Handknob		1
4	Z173189.99	NUT M6 WIDTH ACROSS FLATS 14		1
5	SP1510857	Armpad holder LH		1
5	SP1510856	Armpad holder RH		1
6	1422095-9005	SIDE PART ADJUSTMENT LH CPL. 250-340 MM		1
6	1422096-9005	SIDE PART ADJUSTMENT RH CPL. 250-340 MM		1
6	1422098-9005	SIDE PART ADJUSTMENT RH CPL. 290-380 MM		1
6	1422099-9005	SIDE PART ADJUSTMENT LH CPL. 290-380 MM		1
7	1422092-0002	CONNECTION PIECE		1
8	1415027	CLAMP LEVER M6 X 25		1
10	SP1430416	Bag For Side Panel RH cpl.		1
10	SP1430417	Bag For Side Panel LH cpl.		1
11	SP1428078	Side part, Seatdepth 410mm		1
12	SP1420471	Side part, Seatdepth 460 & 510mm		1

Side Panels, Standard 01.01.2009 ==>

Seitenteil St.dwg

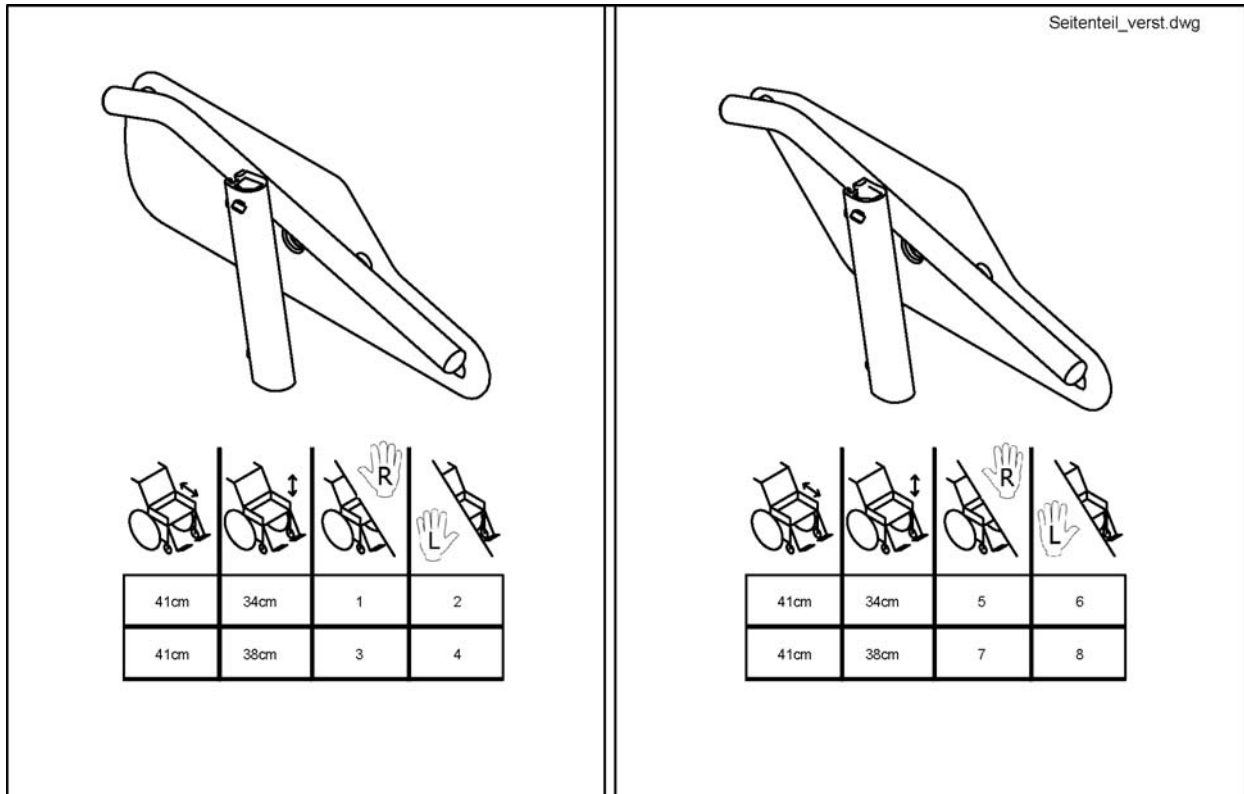


System						
Flex	34cm	41cm	39cm	1	2	
Flex	38cm	41cm	39cm	3	4	
Standard, Flex, Kontur	34cm	41cm	>39cm	5	6	
Standard, Flex, Kontur	38cm	41cm	>39cm	7	8	

System						
Flex	34cm	>41cm	39cm	9	10	
Flex	38cm	>41cm	39cm	11	12	
Standard, Flex, Kontur	34cm	>41cm	>39cm	13	14	
Standard, Flex, Kontur	38cm	>41cm	>39cm	15	16	

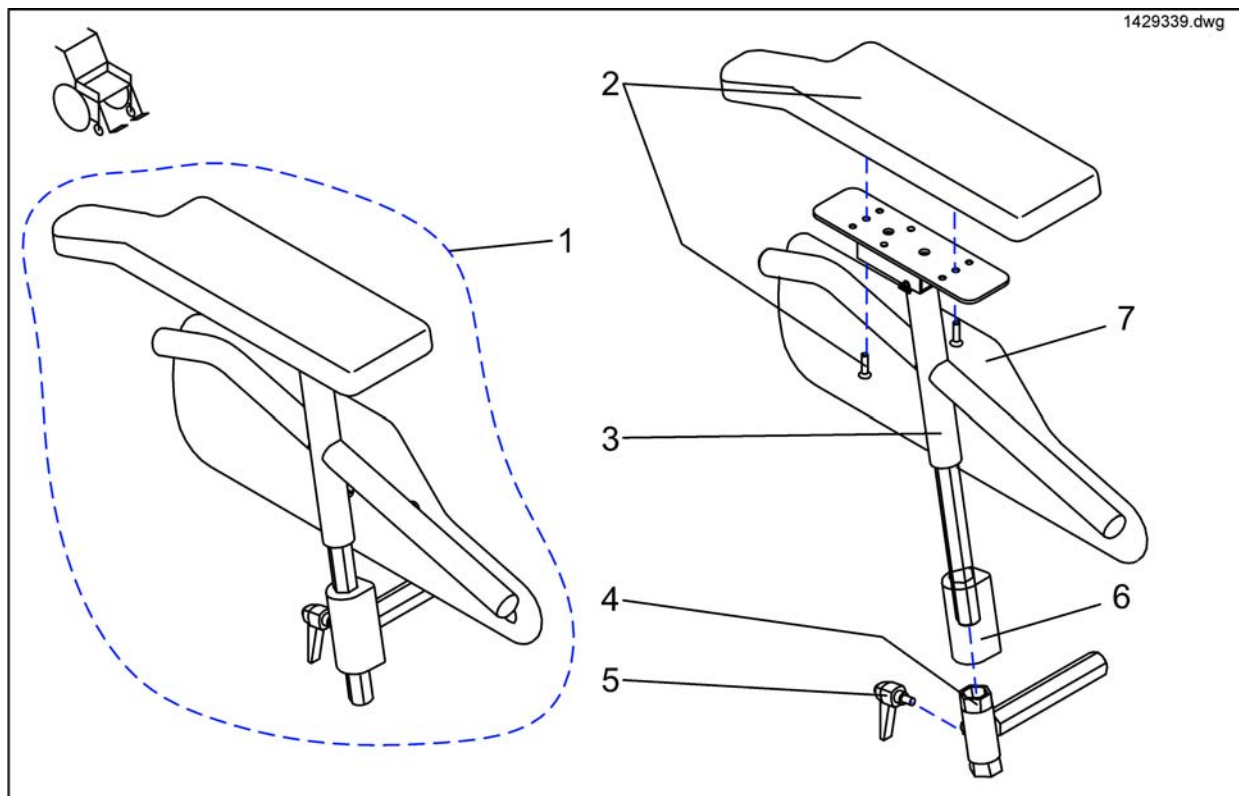
Pos.	Part number	Description	Valid from → until	Qty
1	SP1428100	Armrest, 340mm, SW 39cm, SD 41cm, RH		1
2	SP1428101	Armrest, 340mm, SW 39cm, SD 41cm, LH		1
3	SP1428102	Armrest, 380mm, SW 39cm, SD 41cm, RH		1
4	SP1428103	Armrest, 380mm, SW 39cm, SD 41cm, LH		1
5	SP1428096	Armrest, 340mm, SD 41cm, RH		1
6	SP1428097	Armrest, 340mm, SD 41cm, LH		1
7	SP1428098	Armrest, 380mm, SD 41cm, RH		1
8	SP1428099	Armrest, 380mm, SD 41cm, LH		1
9	SP1422542	Armrest, 340mm, SW 39cm, RH		1
10	SP1422543	Armrest, 340mm, SW 39cm, LH		1
11	SP1422548	Armrest, 380mm, SW 39cm, RH		1
12	SP1422549	Armrest, 380mm, SW 39cm, LH		1
13	SP1421692	Armrest, height max. 340mm, RH, Seatdepth 410mm		1
14	SP1421694	Armrest, height max. 340mm, LH, Seatdepth 410mm		1
15	SP1421693	Armrest, height max. 380mm, RH, Seatdepth 410mm		1
16	SP1421695	Armrest, height max. 380mm, LH, Seatdepth 410mm		1

Siderests



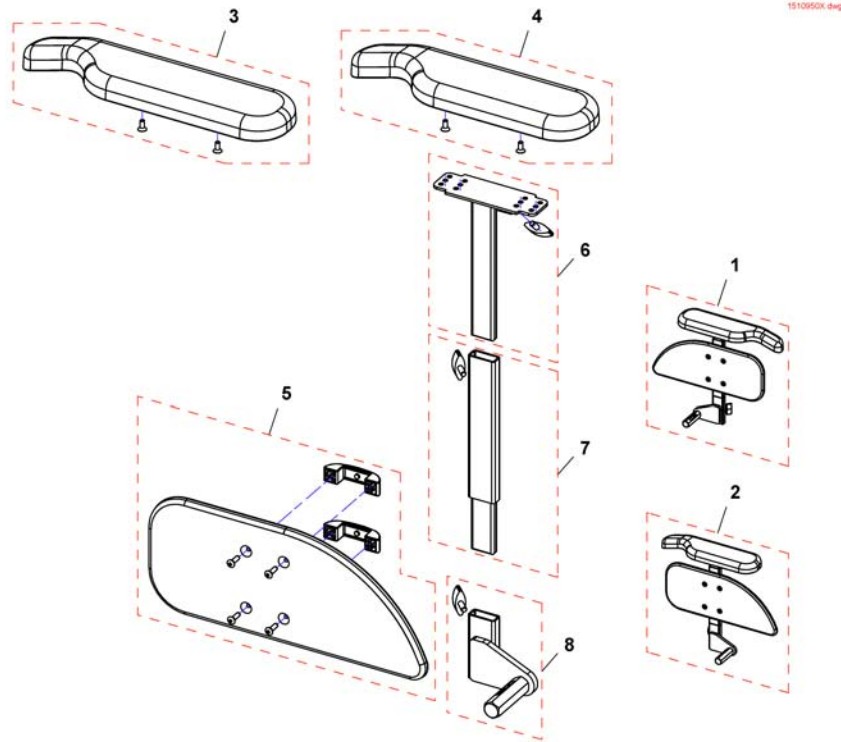
Pos.	Part number	Description	Valid from → until	Qty
1	SP1423222	SIDE PART PLATE 340MM RH CPL., SEATDEPTH > 41cm		1
2	SP1423702	SIDE PART PLATE 340 MM L CPL., SEATDEPTH > 41cm		1
3	SP1423701	SIDE PART PLATE 380 MM R CPL., SEATDEPTH > 41cm		1
4	SP1423703	SIDE PART PLATE 380 MM L CPL., SEATDEPTH > 41cm		1
5	1440708	SIDE PART PLATE 340 MM RH CPL. (ST=41)		1
6	1440707	SIDE PART PLATE 340 MM LH CPL. (ST=41)		1
7	1440706	SIDE PART PLATE 380 MM RH CPL. (ST=41)		1
8	1440705	SIDE PART PLATE 380 MM LH CPL. (ST=41)		1

Euro Side Panels



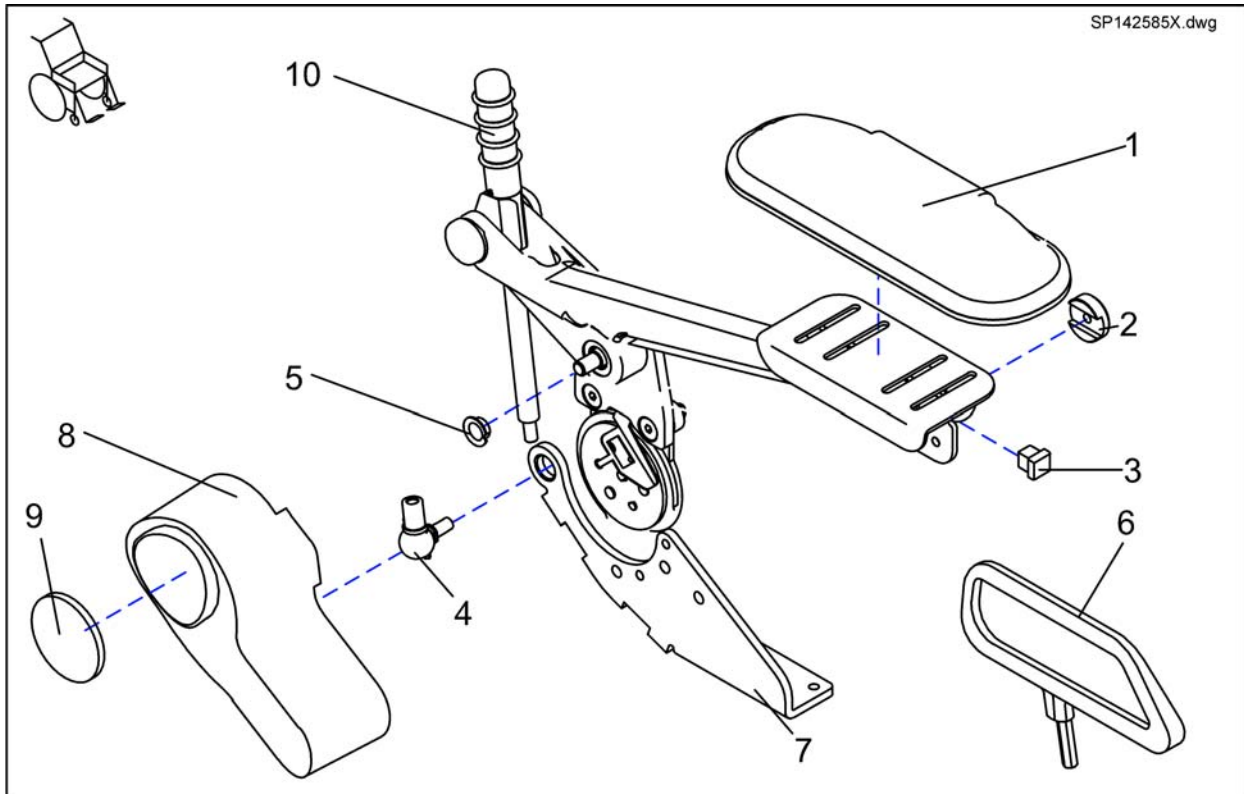
Pos.	Part number	Description	Valid from → until	Qty
1	1429339	ARMREST RH (EURO)		1
1	1429340	ARMREST LH (EURO)		1
2	SP1423224	ARMREST PAD LH CPL.		1
2	SP1423221	ARMREST PAD RH CPL.		1
3	1428474-9005	ARM SUPPORT LH CPL.		1
3	1428470-9005	ARM SUPPORT RH CPL.		1
4	1428465-9005	SIDE PANEL MOUNTING RH		1
4	1428459-9005	SIDE PANEL MOUNTING LH		1
5	L32902	LEVER M6 X 10; BLACK		1
6	1430359	COVER CAP SIDE PANEL RH F. STORM³-EURO		1
6	1430211	COVER CAP (EURO)		1
7	SP1420471	Side part, Seatdepth 460 & 510mm		1

Side Panel for Standard-Seat 08/01/08 ==>



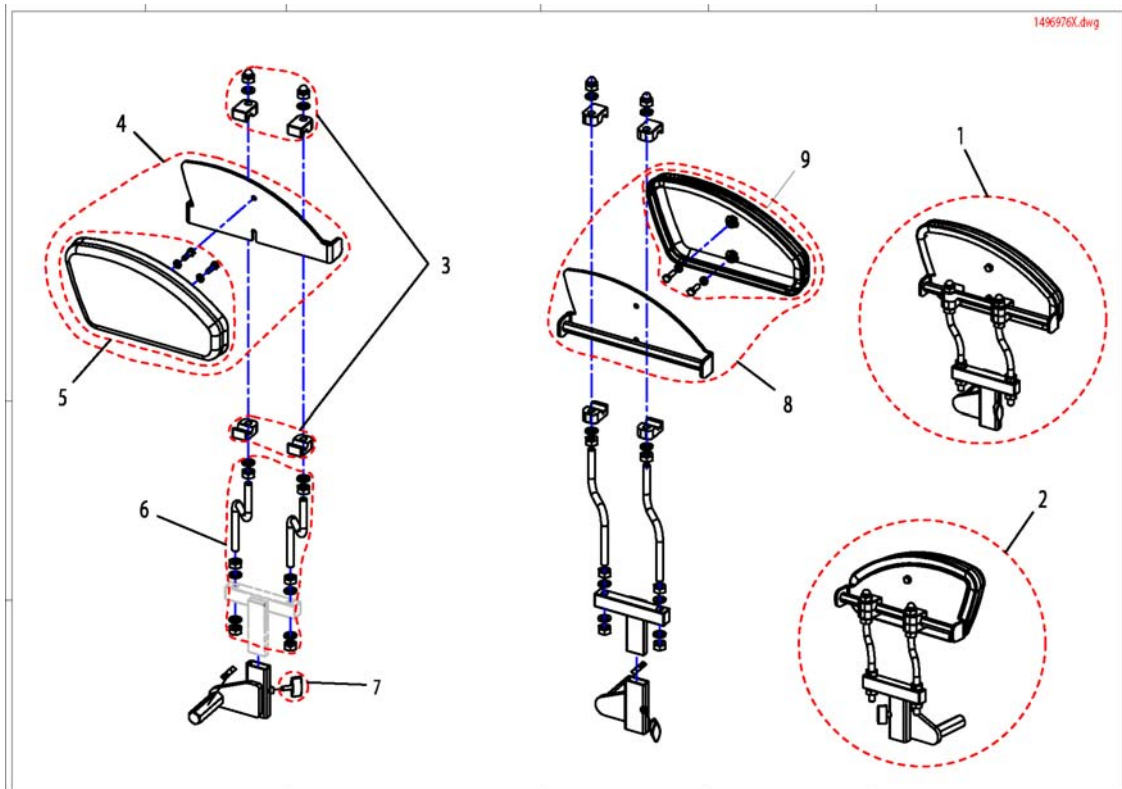
Pos.	Part number	Description	Valid from → until	Qty
1	SP1526440	Sidepart RH		1
2	SP1526441	Sidepart LH		1
3	SP1528846	Armpad, long, LH (376mm)		1
3	SP1528845	Armpad, long, RH (376mm)		1
4	SP1443004	Armpad LH (326mm)		1
4	SP1449043	Armpad RH (326mm)		1
5	SP1541505	Skirt guard, RH		1
5	SP1541506	Skirt guard, LH		1
6	SP1541507	T-Adapter		1
7	SP1541508	Insertion tube, RH		1
7	SP1541509	Insertion tube, LH		1
8	SP1541510	Siderestbracket, RH		1
8	SP1541511	Siderestbracket, LH		1

Sliding Armrest



Pos.	Part number	Description	Valid from → until	Qty
-	SP1425859	KIT SLIDING ARMRESTS PAIR, F. ELECTRIC BACKREST ADJUSTMENT FLEX		1
-	SP5314641	SLIDING ARMREST LH CPL.		1
-	SP5311680	SLIDING ARMREST RH CPL.		1
-	SP1425853	KIT SLIDING ARMRESTS PAIR, F. MANUAL BACKREST ADJUSTMENT FLEX		1
1	5314641	ARMREST UPHOLSTERY 340 MM		1
1	5311680	ARMREST UPHOLSTERY 260 MM		1
2	1421657-0003	Retaining Washer		1
3	-	Tube End Plug E 15 X 15		1
4	N04109	SWIVEL JOINT AS 13-M8 RH		1
5	N02194	BUSH BB 1209 DU		1
6	SP1436540	CLOTHING PROTECTOR PAIR SLIDING ARMREST SEAT WIDTH=39CM		1
6	SP1436539	CLOTHING PROTECTOR PAIR SLIDING ARMREST SEAT WIDTH>39CM		1
7	1429563-9005	FITTING ATTACHMENT RH F. SLIDING ARMREST		1
7	1429564-9005	FITTING ATTACHMENT LH F. SLIDING ARMREST		1
8	1428057	MOTOR CAP FOR ELECTRIC BACKREST SLIDING ARMREST		1
9	1420482	REFLECTOR		1
10	SP1451392	ASSEMBLY KIT, GUIDE ROD		1

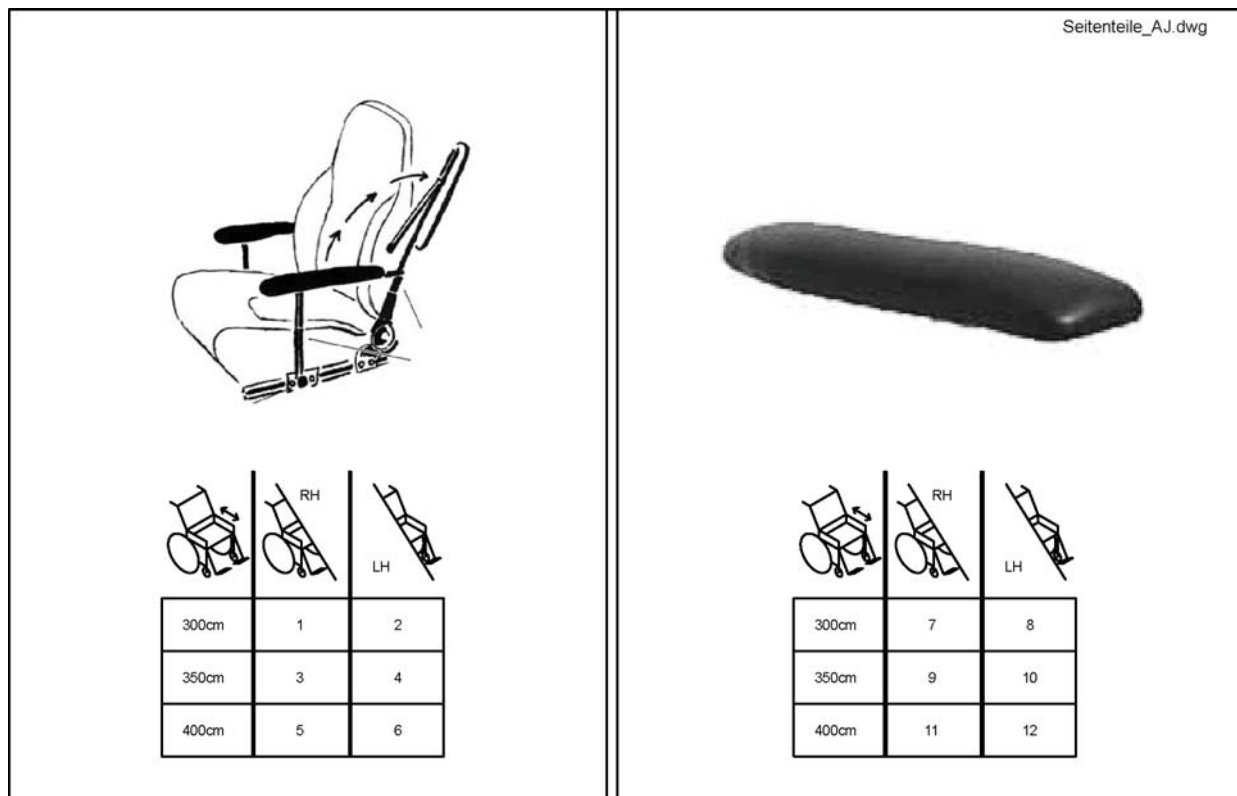
Knee Support



1496976X.dwg

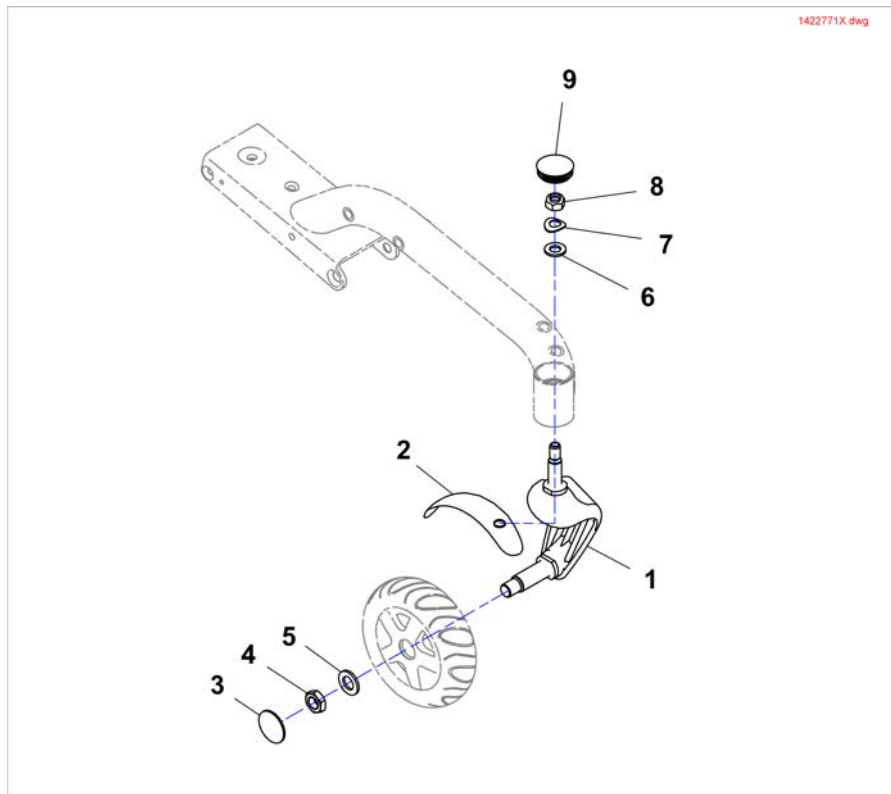
Pos.	Part number	Description	Valid from → until	Qty
1	SP1496375	Knee Support cpl. LH		1
2	SP1496976	Knee Support cpl. RH		1
3	SP1496330	Mounting Kit		1
4	SP1496374	Side upholstery RH with bracket		1
5	SP1450243	Side Upholstery RH		1
6	SP1496329	Swing wire		1
7	SPL10024	Wing Scew M6x10		1
8	SP1496977	Side upholstery LH with bracket		1
9	SP1450240	Side Upholstery LH		1

Side Panels for Arne Jensen-Seats



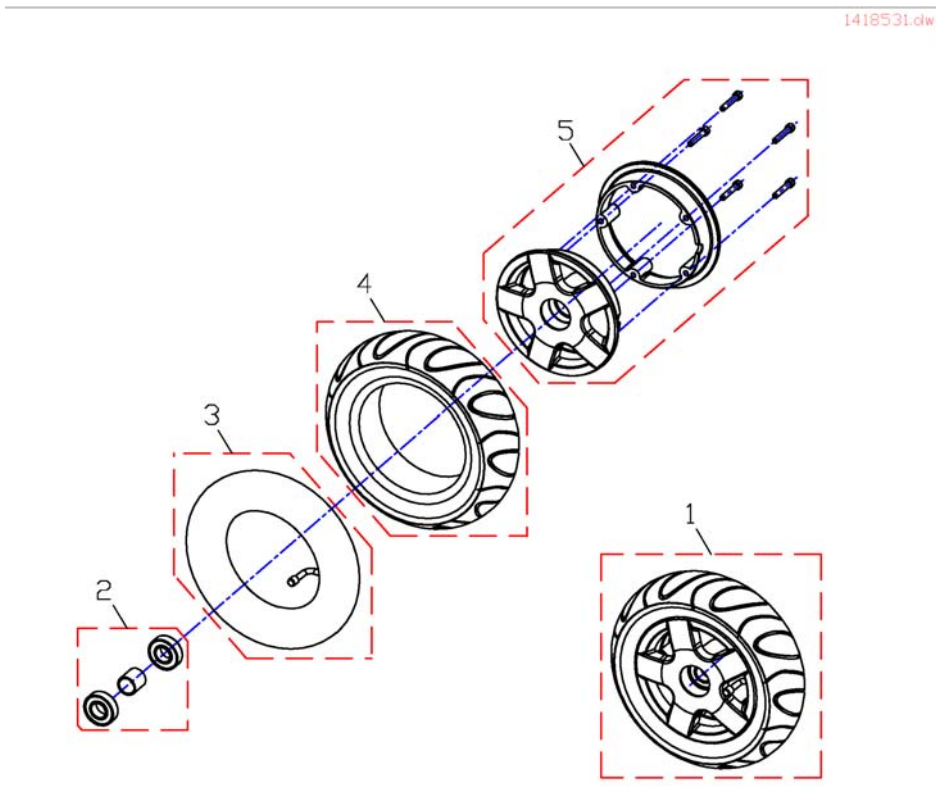
Pos.	Part number	Description	Valid from → until	Qty
1	1419657	Armrest Optimist 30cm RH		1
2	1419658	Armrest Optimist 30cm LH		1
3	1419659	Armrest Optimist 35cm RH		1
4	1419660	Armrest Optimist 35cm LH		1
5	1419661	Armrest Optimist 40cm RH		1
6	1419662	Armrest Optimist 40cm LH		1
7	1419647	Armrest Pad Optimist 30cm RH		1
8	1419648	Armrest Pad Optimist 30cm LH		1
9	5314011	Armrest Pad Optimist 35cm RH		1
10	5314010S	Armrest Pad Optimist 35cm LH		1
11	5314011L	Armrest Pad Optimist 40cm RH		1
12	5314010	Armrest Pad Optimist 40cm LH		1

Frontfork



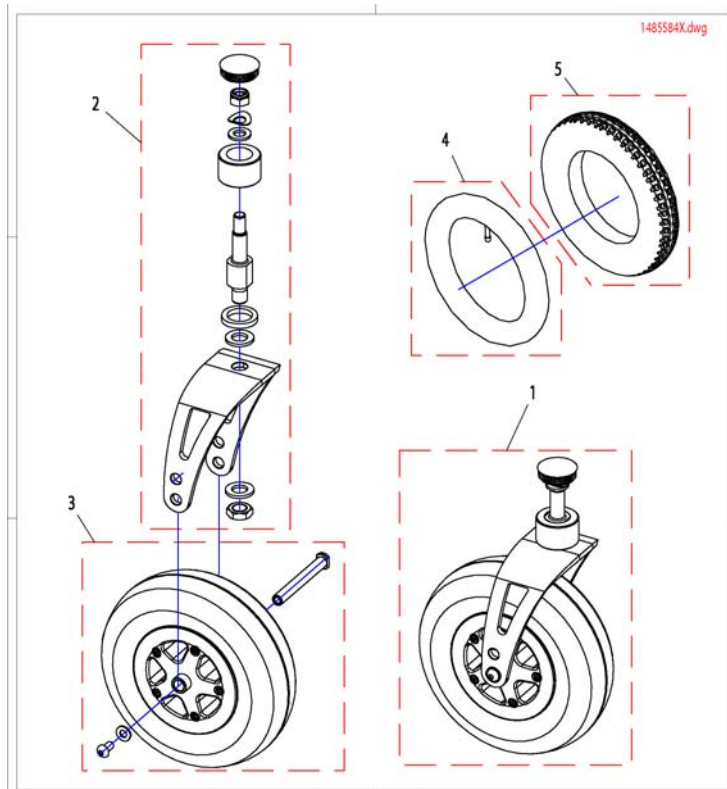
Pos.	Part number	Description	Valid from → until	Qty
1	SP1422771	WHEEL FORK LH		1
1	SP1422772	WHEEL FORK RH		1
2	SP1423179	SPLASH GUARD ASSEMBLY KIT LH		1
2	SP1423180	SPLASH GUARD ASSEMBLY KIT RH		1
3	-	CAP WITH INVACARE LOGO		1
4	1418054	Nut M16 x 1.5mm		1
5	G00105	Washer Ø17x30 DIN 125 A		1
6	G00104	Washer Ø13 DIN 125 A		1
7	G40102	SPRING WASHER Ø24X13X1,2 PROFILE A, DIN-137		1
8	-	Nut M12x1,5 DIN985		1
9	1421687	SLIDER SL 42, black		1

Front Wheels



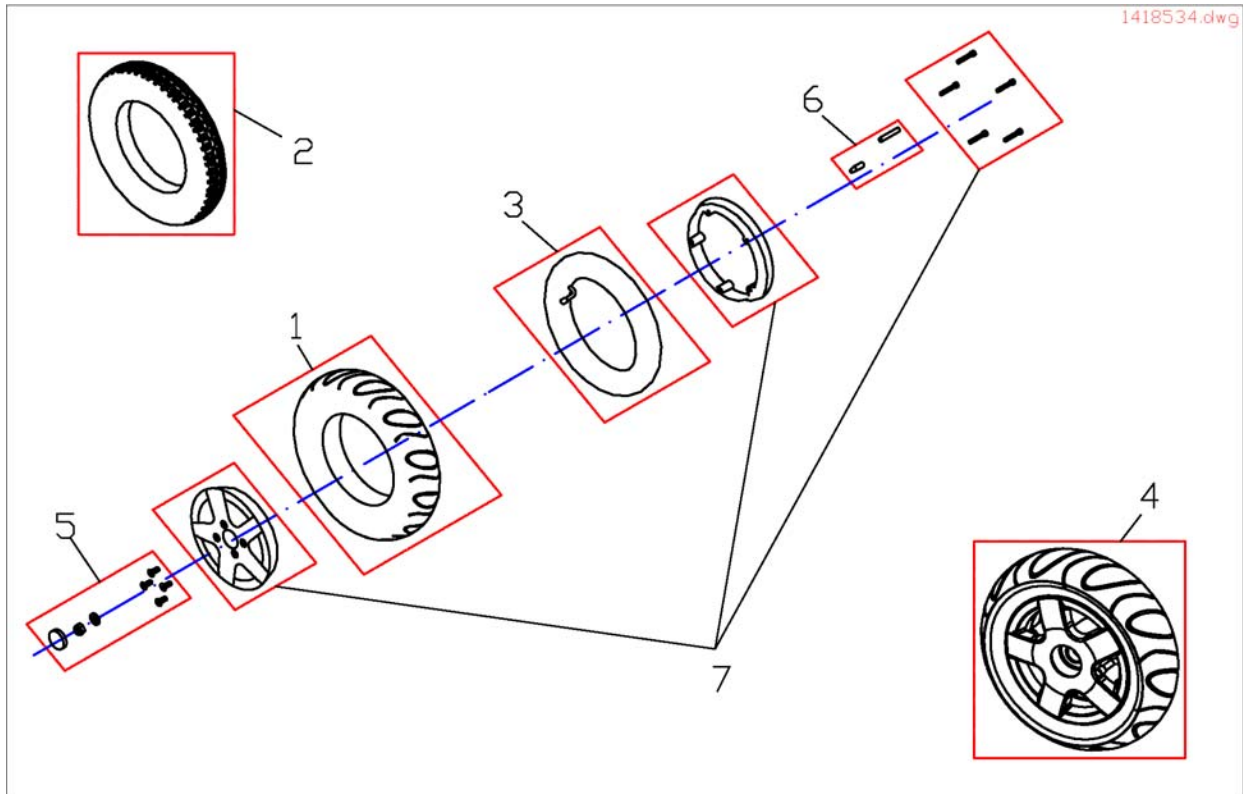
Pos.	Part number	Description	Valid from → until	Qty
4	1430229	OUTER TYRE 3.00-6 GREY PUNCTURE-PROOF SOLID INLAY		1
1	SP1418531	WHEEL 3.00-6" AIR, GREY, CPL.		1
1	SP1419256	WHEEL 3.00-6" AIR, BLACK, CPL.		1
1	SP1422932	WHEEL 3.00-6" PUNCTURE-PROTECTED, GREY, CPL.		1
1	SP1422933	WHEEL 3.00-6" PUNCTURE-PROTECTED; BLACK, CPL.		1
1	SP1430231	WHEEL 3.00-6" PUNCTURE-PROOF, SOLID INLAY, GREY, CPL.		1
1	SP1430232	WHEEL 3.00-6" PUNCTURE-PROOF, SOLID INLAY, BLACK, CPL.		1
2	SP1423182	WHEEL RIM BEARING SET 6", CPL.		1
3	1415175	TUBE 3.00 X 6 90 ° TR 87		1
4	1418532	COVER 3.00-6", GREY		1
4	1419226	COVER 3.00-6", BLACK		1
4	1430230	OUTER TYRE 3.00-6 BLACK PUNCTURE-PROOF SOLID INLAY		1
5	SP1423181	WHEEL RIM ASSEMBLY KIT 6", CPL.		1

Tyres Storm³ Mini

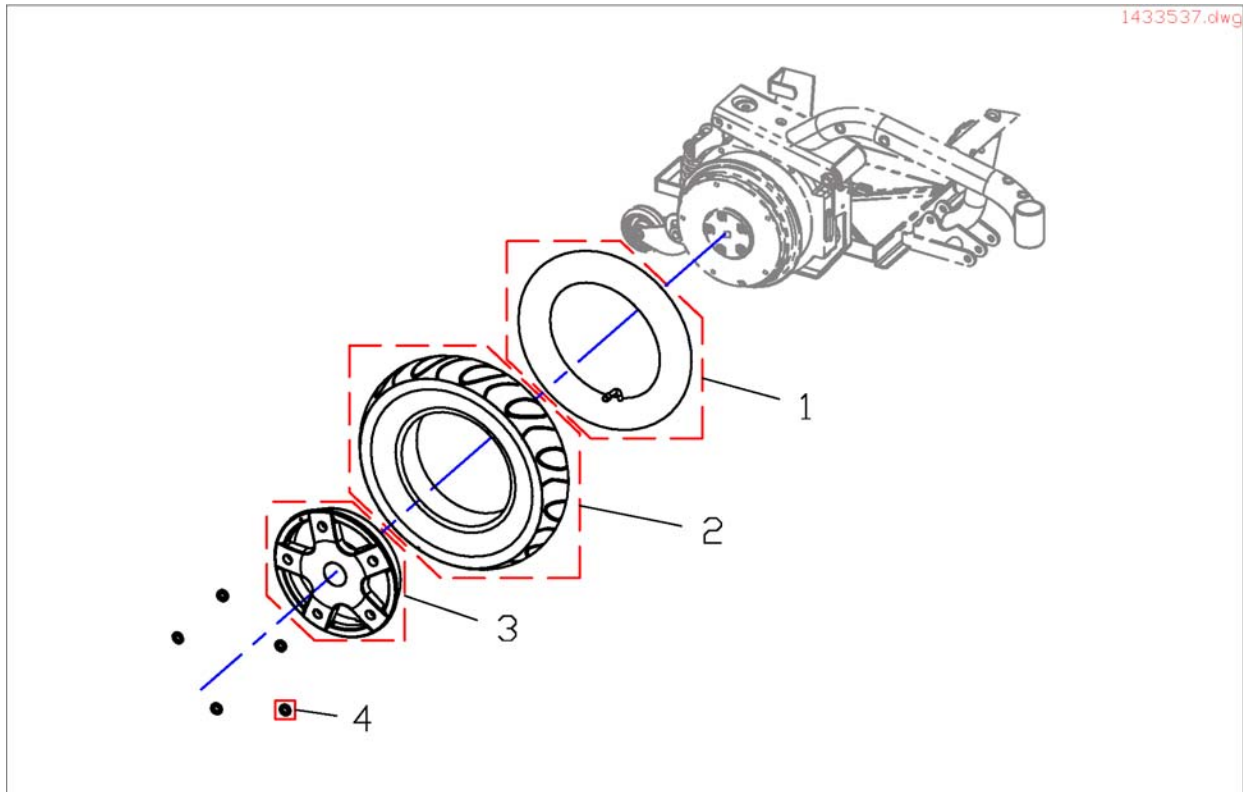


Pos.	Part number	Description	Valid from → until	Qty
1	SP1505445	Steering Fork LH/RH cpl.		1
2	1442604	Front Fork cpl.		1
3	SP1478768	Rad 2,8/2,5x4, puncture proof		1
4	M12004	Inner Tube (for Tyre - 12 1/2" x 2 1/4")		1
5	M11005	Tyre 12 1/2 X 2 1/4		1

Rear Wheels

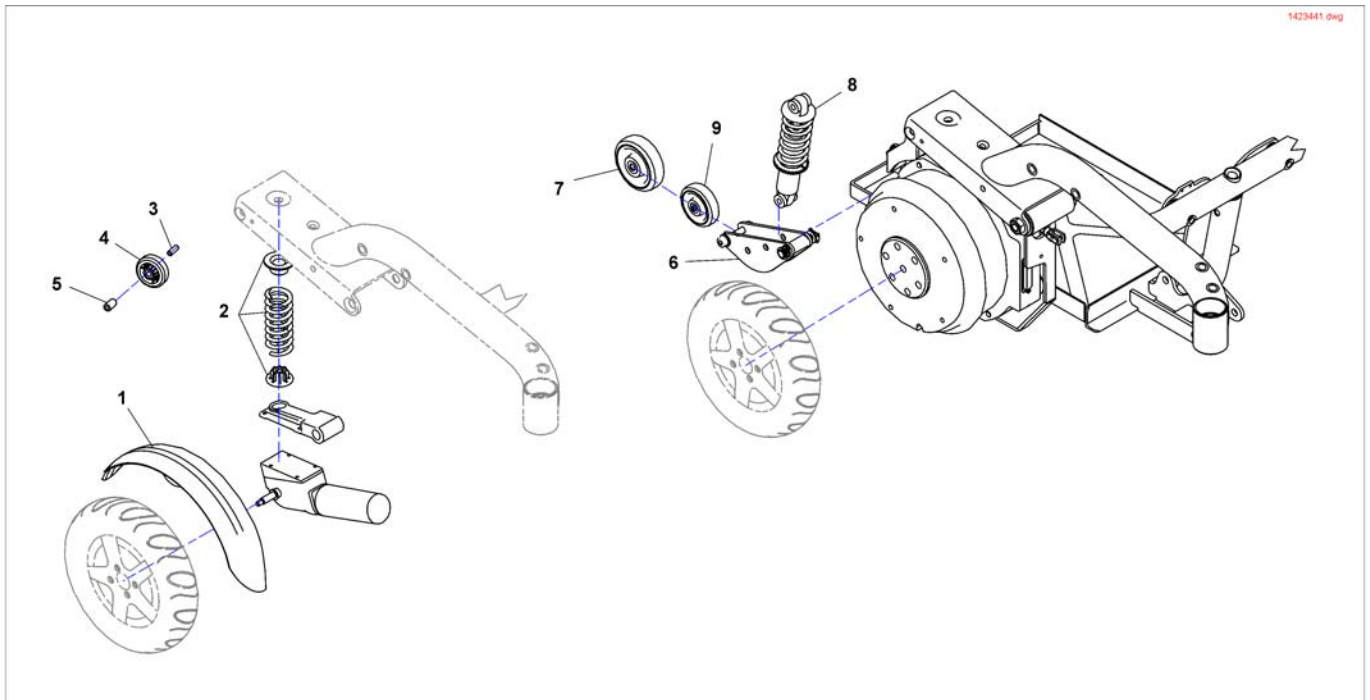


Pos.	Part number	Description	Valid from → until	Qty
b	-	CAP WITH INVACARE LOGO		1
c	-	Nut M12x1,5 DIN985		1
d	G00104	Washer Ø13 DIN 125 A		1
m	P30497	MAGNET, ROUND 6 X 25		1
l	-	MAGNETIC RUBBER		1
y	-	RIM RING 8 INCHES, INNER		1
z	-	SCREW M6*40 DIN 912		1
x	-	RIM RING, OUTER		1
a	-	BOLT 8X35 DIN 7991		1
1	1415173	Tyre 3.00-8" grey		1
1	1430217	Outer Tyre 3.00-8 Black, Puncture-Proof		1
1	1430215	Tyre 3.00-8, grey, puncture proof		1
1	1419257	COVER 3.00-8", BLACK		1
2	M11968	Tyre 3.00-8, grey Trelleborg		1
3	M12016	Inner tube 3.00-8" with valve TR 87-90/90°		1
4	SP1433543	Power Wheel		1
4	SP1430221	WHEEL 3.00-8 PUNCTURE-PROOF SOLID INLAY BLACK CPL.		1
4	SP1430220	WHEEL 3.00-8 PUNCTURE-PROOF SOLID INLAY GREY CPL.		1
4	SP1419258	WHEEL 3.00-8" AIR, BLACK, CPL.		1
4	SP1421833	WHEEL 3.00-8" TRELLEBORG PUNCTURE-PROTECTED, GREY, CPL.		1
4	SP1418534	WHEEL 3.00-8" AIR, GREY, CPL.		1
4	SP1421831	WHEEL 3.00-8" PUNCTURE-PROTECTED, BLACK, CPL.		1
4	SP1421801	WHEEL 3.00-8" TRELLEBORG, GREY, CPL.		1
4	SP1421829	WHEEL 3.00-8" PUNCTURE-PROTECTED, GREY, CPL.		1
4	SP1433544	Power Wheel		1
5	SP1423443	WHEEL ASSEMBLY KIT 3.00-8		1
6	SP1423185	SPEEDOMETER DRIVE GEAR ASSEMBLY KIT, CPL.		1
7	SP1423184	WHEEL RIM ASSEMBLY KIT 8", CPL.		1



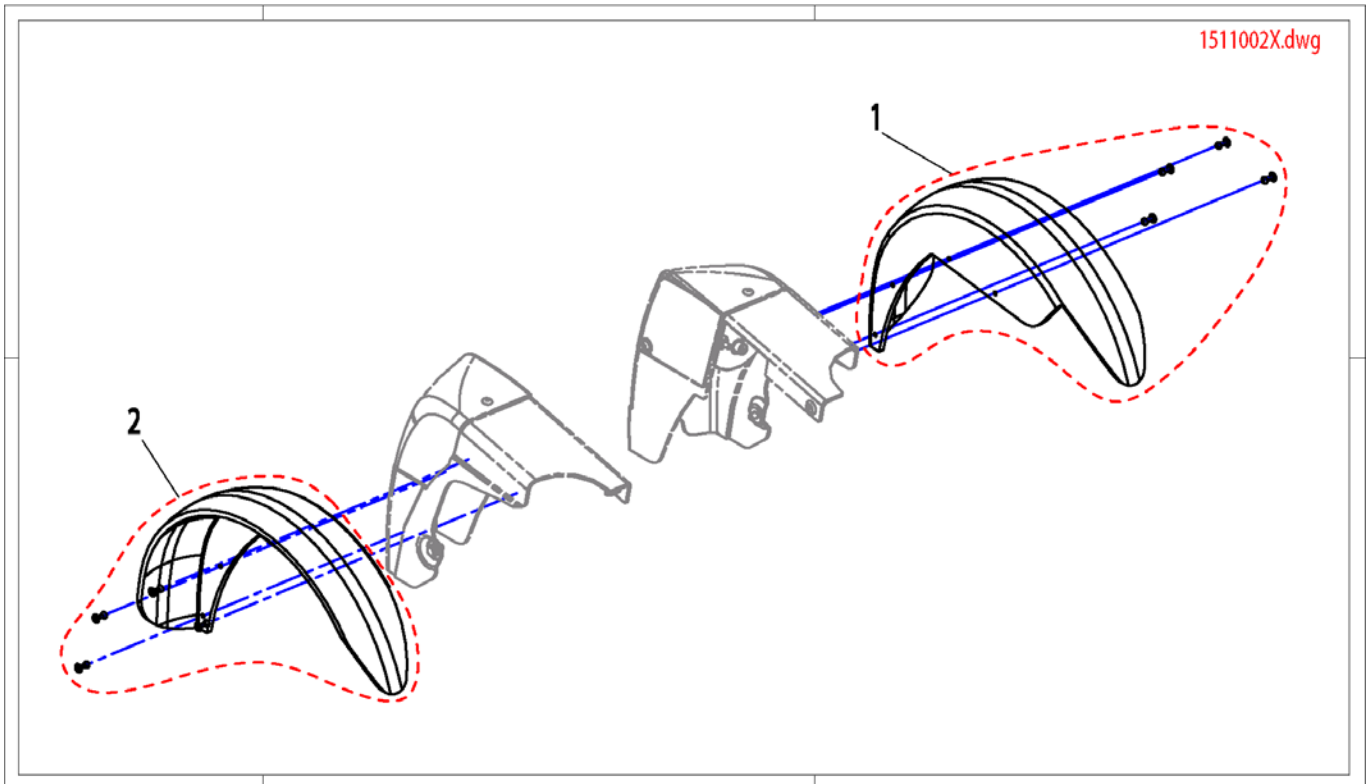
Pos.	Part number	Description	Valid from → until	Qty
1	M12016	Inner tube 3.00-8" with valve TR 87-90/90°		1
1	1484644	Tube 3.00-8" (Puncture-Protect)		1
2	1415173	Tyre 3.00-8" grey		1
2	1419257	COVER 3.00-8", BLACK		1
2	1430215	Tyre 3.00-8, grey, puncture proof		1
2	1430217	Outer Tyre 3.00-8 Black, Puncture-Proof		1
2	M11968	Tyre 3.00-8, grey Trelleborg		1
3	1429347-0307	Rim ring 8Z AU HI GB, silver		1
4	5829252	Nord-Lock washer d=8		1

Wheel Suspension/ Wheels



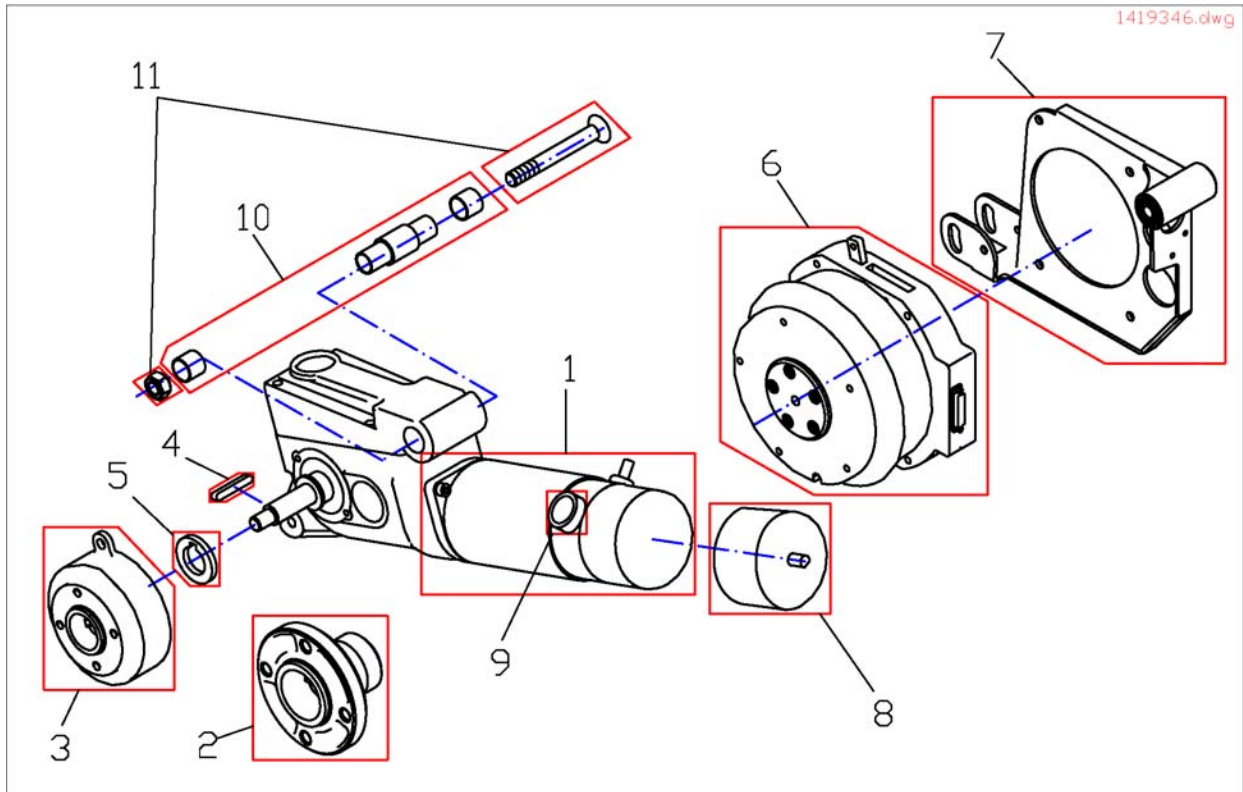
Pos.	Part number	Description	Valid from → until	Qty
1	1429341	REAR FENDER CPL.		1
5	SP1511029	Fender RH		1
1	SP1511003	Fender LH		1
2	SP1423442	SPRING SET ζ		1
3	1427057-0002	BUSH 12 X 2 X 35,5		1
4	1418533	ANTI-TIPPER WHEEL, KAMA 80 X 80		1
5	1428067-0002	BUSH 18 X 5 X 32		1
6	SP1429557	ANTI-TIP HOLDER AND WHEEL CPL.		1
7	SP1428929	SUPPORT WHEEL (TRUE TRACK)		1
8	SP1451360	shock absorber, cpl. <i>For chairs before 01.07.10 change pairwise</i>		1
9	1451344	Assy Kit Anti TappingWheel		1

Rear fenders



Pos.	Part number	Description	Valid from → until	Qty
1	SP1511003	Fender LH		1
2	SP1511029	Fender RH		1

Driving unit

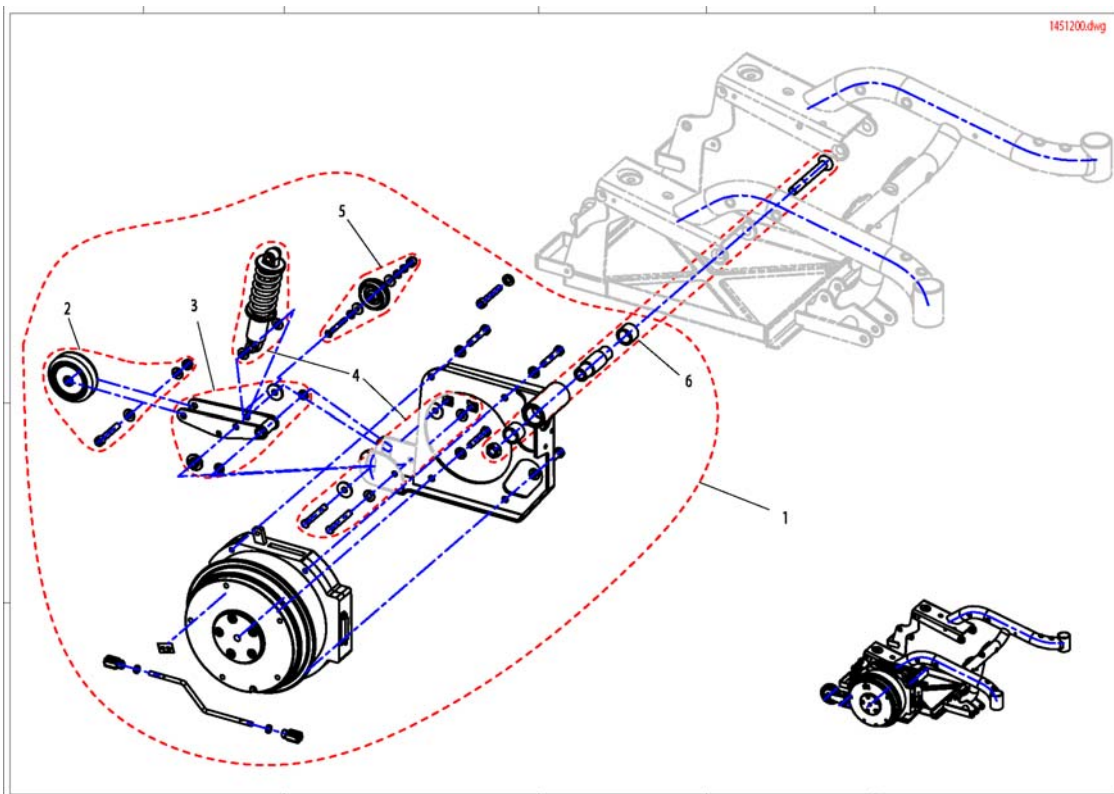


Pos.	Part number	Description	Valid from → until	Qty
-	1495217	Part not for sale		1
-	F351007	ACS MOTOR PLUG CPL.		1
-	SP1134214	Gasket Kit GM Motorplugs		1
-	SP1421802	DRIVE UNIT, 6 KM/H LH CPL. (WITH BRAKE)		1
-	SP1421803	DRIVE UNIT, 6 KM/H RH CPL. (WITH BRAKE)		1
-	SP1421804	DRIVE UNIT, 6 KM/H LH CPL. (WITHOUT BRAKE)		1
-	SP1421805	DRIVE UNIT, 6 KM/H RH CPL. (WITHOUT BRAKE)		1
-	SP1421806	DRIVE UNIT, 10 KM/H LH CPL. (WITH BRAKE)		1
-	SP1421807	DRIVE UNIT, 10 KM/H RH CPL. (WITH BRAKE)		1
-	SP1421808	DRIVE UNIT, 10 KM/H LH CPL. (WITHOUT BRAKE)		1
-	SP1421809	DRIVE UNIT, 10 KM/H RH CPL. (WITHOUT BRAKE)		1
-	SP1421810	DRIVE UNIT, 12 KM/H LH CPL. (WITH BRAKE)		1
-	SP1421811	DRIVE UNIT, 12 KM/H RH CPL. (WITH BRAKE)		1
-	SP1421812	DRIVE UNIT, 12 KM/H LH CPL. (WITHOUT BRAKE)		1
-	SP1421813	DRIVE UNIT, 12 KM/H RH CPL. (WITHOUT BRAKE)		1
-	Z131034	Magnet brake, for drive unit left P01062/4 (from SCHMID)	→ 20090802	1
-	Z131035	Magnet brake, for drive unit right P01061/3 (from SCHMID)	→ 20090802	1
-	SP1535508	Magnet brake, for drive unit left	20090803 →	1
-	SP1535507	Magnet brake, for drive unit right	20090803 →	1
1	1422898	DRIVE UNIT 6 KM/H RH		1
1	1422899	DRIVE UNIT 6 KM/H LH		1
1	1422900	DRIVE UNIT 10 KM/H RH		1
1	1422901	DRIVE UNIT 10 KM/H LH		1
1	1422902	DRIVE UNIT 12 KM/H RH		1
1	1422903	DRIVE UNIT 12 KM/H LH		1
2	1509054-0002	Wheel Hub		1
3	1415171	BRUSH CAP		1
4	N23004	Woodruff Key A 6 X 6 X 40		1
5	1423164-0002	WASHER 19 MM WITH CUTOUT FOR FEATHER KEY		1
6	SP1433561	MOTOR GEARLESS LH		1
6	SP1433562	MOTOR GEARLESS RH		1

Driving unit

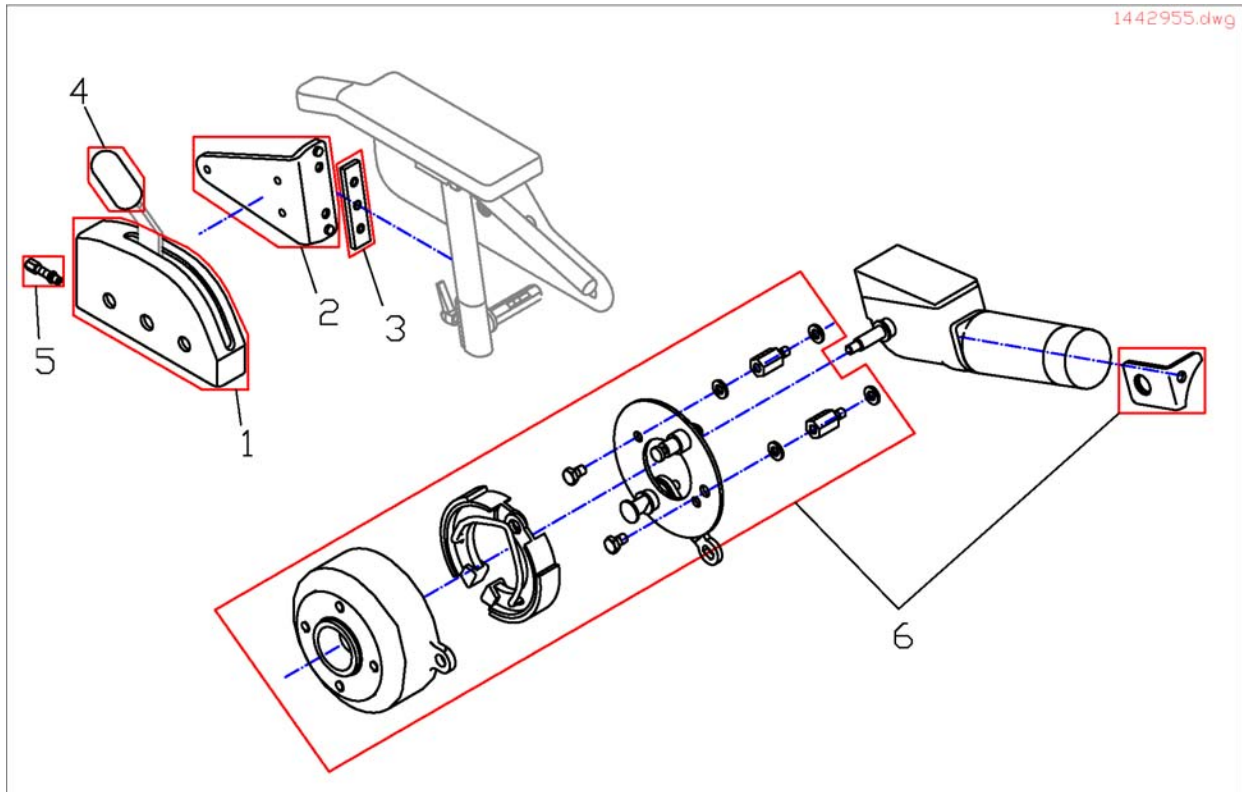
Pos.	Part number	Description	Valid from → until	Qty
7	SP1422840	CRANK LH CPL.		1
7	SP1428930	CRANK RH CPL.		1
8	1484939	Plastic Hub For SchmitMotor		1
9	SP1423439	CARBON BRUSH SET (SCHMID)		1
10	SP1421761	Kit, axle and bush.		1
11	SP1423186	Drive Unit Assembly Kit, cpl.		1

Re-tooling kit suspension TRUE TRACK



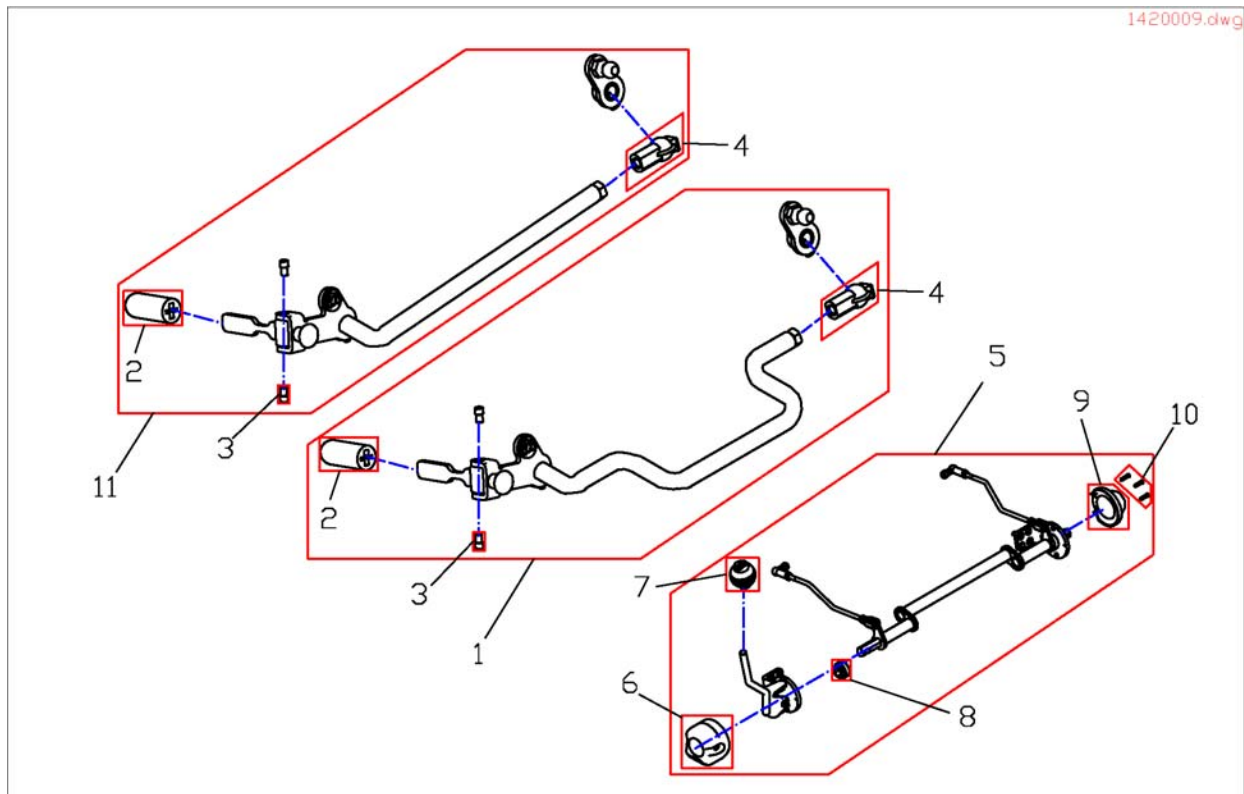
Pos.	Part number	Description	Valid from → until	Qty
1	1451200	Re-tooling KitSuspension True Track	→ 20051101	1
2	SP1428929	SUPPORT WHEEL (TRUE TRACK)		1
3	SP1429557	ANTI-TIP HOLDER AND WHEEL CPL.	20051101 →	1
4	SP1451360	shock absorber, cpl. <i>for chairs before 01.07.2010 change pairwise</i>	20051101 →	1
5	SP5838742	anti-tipp-wheel		1
6	SP1421761	Kit, axle and bush.	20051101 →	1

Brakes



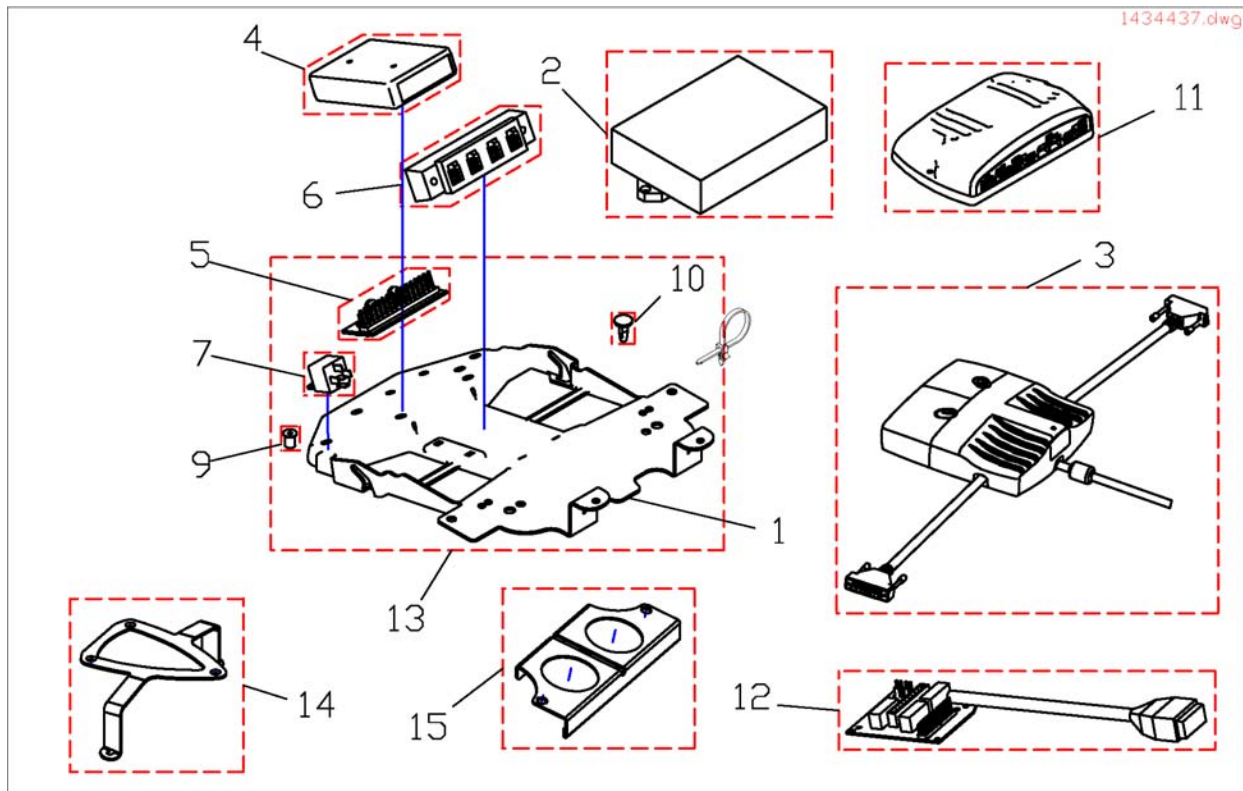
Pos.	Part number	Description	Valid from → until	Qty
a	1415171	BRUSH CAP		1
b	M30985	BRAKE SHOE 90X18 (ANELLI)		1
c	SP1415066	PRE-ASSEMBLED BRAKE BACKING PLATE RH		1
c	SP1415067	PRE-ASSEMBLED BRAKE BACKING PLATE LH		1
-	SPF331038	BRAKE ASSY RH		1
d	1421653-0003	HOLDER-UP LH		1
-	SP1423473	BOWDEN CABLE SET CPL.		1
d	1421654-0003	HOLDER-UP RH		1
-	SPF331028	BRAKE ASSY LH		1
1	F331022	BRAKE BOX COVER; GREY		1
2	1428075-9005	BRAKE BOX HOLDER LH		1
2	1428076-9005	BRAKE BOX HOLDER RH		1
3	1421720-0002	GROVE PLATE		1
4	5007791	KNOB; BLACK		1
5	M30050	ADJUSTING SCREW M6 X 24; ZINC PLATED		1
6	1442956	Kit WHEEL BRAKE RH, CPL.		1
6	1442955	Kit WHEEL BRAKE LH, CPL.		1

Decoupling



Pos.	Part number	Description	Valid from → until	Qty
1	1420009	DECOUPLING MECHANISM, CPL.		1
1	1483902	Part not for sale		1
11	1485587	Desaccoupler, Completement Justement		1
2	5007791	KNOB; BLACK		1
3	D08112	HEX HEAD SCREW M5 X 10		1
4	5816488	BALL SEAT		1
5	SP1431810	DISENGAGER TRUE TRACK CPL.		1
6	1430163	CAP 1 FOR CLUTCH MECHANISM		1
7	1430147	HANDLE KNOB		1
8	1430406	BUSHING		1
9	1430164	CAP 2 FOR CLUTCH MECHANISM		1
10	H90993	CLIP 3,0 MM		1

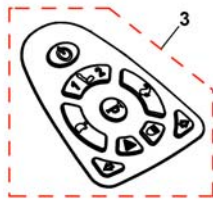
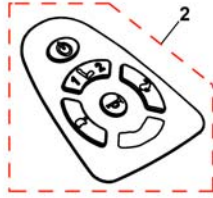
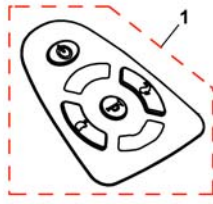
Electronic



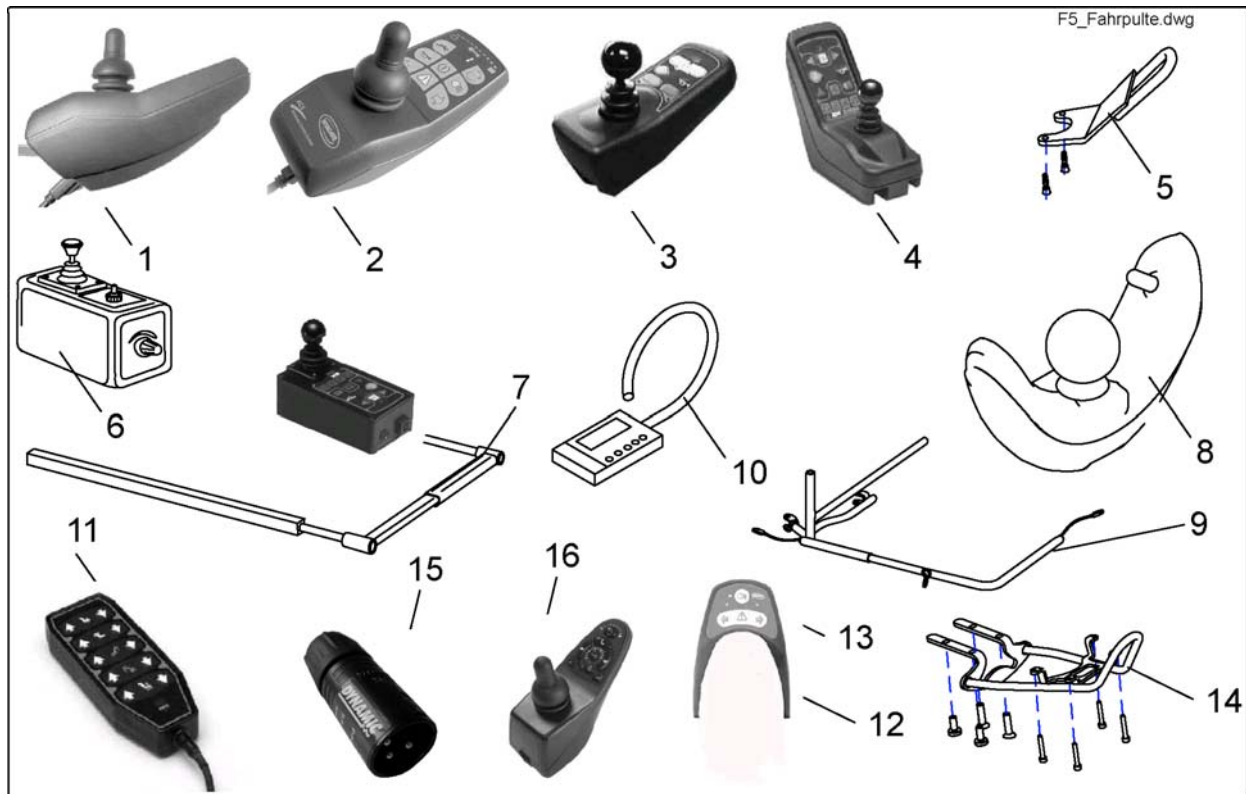
Pos.	Part number	Description	Valid from → until	Qty
	1431755	UPGRADE KIT SEAT ANGLE STABILISOR		1
	SP1423191	ACS ELECTRONIC HOLDER ASSEMBLY KIT		1
	1419337	RIVET		1
	1440533	ACS ELECTRONIC HOLDER ASSEMBLY KIT	20030401 →	1
	1417938	SPACER		1
	-	CROSS HEAD SCREW M4 X 16		1
	5723445	Screw M8x20 DIN 7991		1
1	1418528	DEVICE SUPPORT		1
2	P10064	ACS Power Module (DX-PM2) 80AMP		1
2	6001423	ACS Power Module		1
3	1430150	ACS POWER MODUL DX-GB 100A		1
3	AT.1430150	Part not for sale	20060501 →	1
4	P10081	ACS Actuator Module (Clam)		1
4	6001825	ACS-LIGHTING MODULE 24 V STD.		1
5	1415004	Central Light Distributor Circuit Board ACS2 / Shark		1
6	P10072	ACS-Bus T-Adapter (Splitter)		1
7	P11195	RELAY SWITCH 24V/10-20A		1
8	1422888	CABLE BINDER 5,0x225 SCHWARZ		1
9	1432557	GETO WELL NUT M4		1
9	1422052	GETO WELL NUT M5		1
10	1426351	NYLON MOULDED CRAMP		1
11	1433332	Power Modul Shark DK-PMB01		1
11	1448744	Power Module Shark DK-PMB21		1
11	AT.1433332	Replacement Part For Shark-Elektronik DK-PMA1	20060501 →	1
12	1450233	Combined Lighting Actuator Board	20050701 →	1
13	SP1418529	Part not for sale		1
14	SP1430145	Holder Power Module		1
15	SP1430146	Stabilisation Plate		1

Keypads Shark2

1537479X.dwg



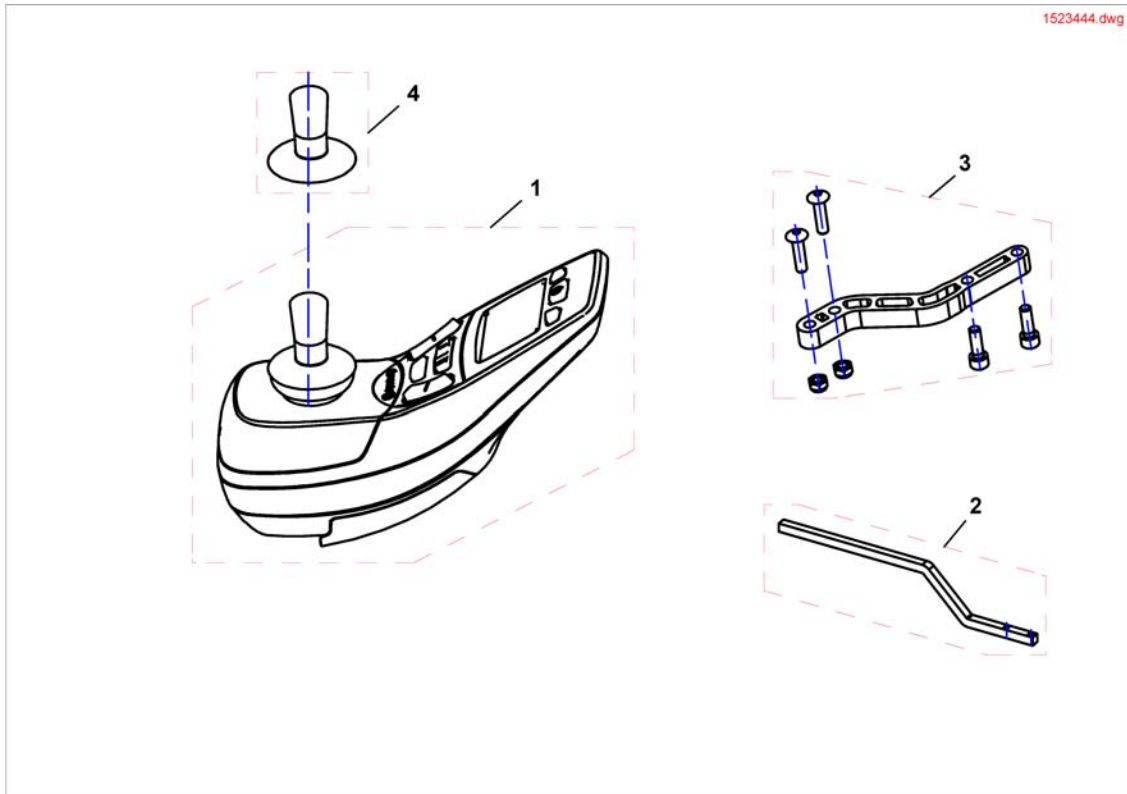
Pos.	Part number	Description	Valid from → until	Qty
1	SP1537479	Keypad DK-REMD01		1
2	SP1537480	Keypad DK-REMD11		1
3	SP1537481	Keypad DK-REMD21		1



Pos.	Part number	Description	Valid from → until	Qty
-	1422947	ASSEMBLY KIT F. CHIN CONTROL HOLDER ,STANDARDSEAT, CPL.		1
-	SP1419695	Magnet Key REM24 With Pouch cpl.		1
-	P10062	ACS Programming Kit (Wizard Software)		1
-	SP1422951	ASSEMBLY KIT F. CHIN CONTROL HOLDER RECARO CPL.		1
-	Z183229	JOYSTICK KNOB CPL.		1
-	GSM9917	KEYPAD WITH REM 24SC HOUSING FACEPLATE		1
-	1419367	ACS BUS CABLE L=2950 MM		1
-	SP1436544	ATTENDANT JOYSTICK BOX REM 24SD		1
1	AT.P10150	Part not for sale		1
2	1436541	ACS REM24SD Joystick		1
3	P10156	REMOTE REM G80 I		1
4	1419205	JOYSTICK BOX REM 34 (DOLPHIN)		1
5	SP1422828	Protective Bumber F. REM 24 Remote cpl.		1
5	SP1422827	GUARD BOW F. G80I REMOTE CPL.		1
6	6001425	ACS Dual Control		1
6	1449299	Shark Retrofit Kit Operation Accompanying Person, Switchable		1
7	SP1422799	SWING-OUT MIDDLE CONTROL LH CPL. REM41		1
7	SP1422800	SWING-OUT MIDDLE CONTROL RH CPL. REM41		1
8	SP1422802	ACS CHIN CONTROL RH CPL.		1
8	SP1422801	ACS CHIN CONTROL LH CPL.		1
8	1448705	Remote for chin control		1
9	SP1422946	ASSEMBLY KIT FOR SWING-OUT CHIN CONTROL, ELECTRIC VERTICAL, CPL.		1
9	SP1422945	CHIN CONTROL ELECTRIC HORIZONTAL SWING-AWAY LH CPL.		1
9	SP1422944	CHIN CONTROL ELECTRIC HORIZONTAL SWING-AWAY RH CPL.		1
9	SP1422943	CHIN CONTROL , MANUAL HORIZONTAL SWING-AWAY LH		1
9	SP1422942	CHIN CONTROL , MANUAL HORIZONTAL SWING-AWAY RH		1
10	6001450	ACS-Hand Programmer, Instruccions In French, German, Spanish		1
11	F382007	ARC5 CONTROL CPL.		1
12	SP1440287	REMOTE SHARK WITH LIGHTENING		1
13	AT.1440541	Comando Luzes Shark (Not longer available. Please order exchange-kit)		1

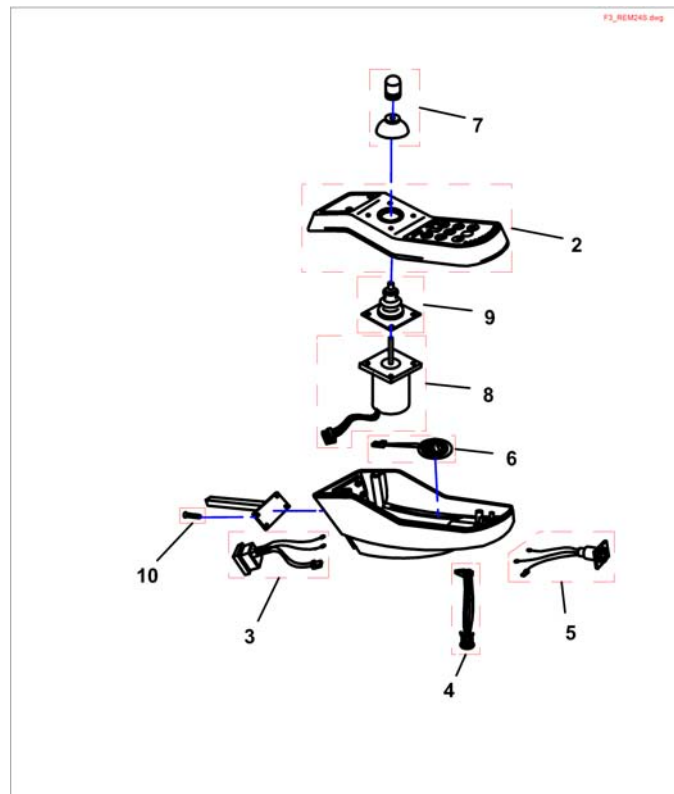
Control Unit/ Joystickbox

Pos.	Part number	Description	Valid from → until	Qty
13	SP1522494	Exchange-Kit For Shark1 Lightmodule (At.1440541) Standard-Remote-Holder		1
14	1442691	Guard Bow For Shark With Lights Remote cpl.		1
15	1441551	Programming Adapter Shark (Unconditionally Necessary To Program Shark)		1
16	1492567	Remote Shark DK-REMD01 (drive only)		1
16	1484904	Remote DK-REMD21, Shark2 (Drive, Seat Adjustment, Light)		1
16	1449177	Remote Shark DK-REMD11 (with actuators)		1



Pos.	Part number	Description	Valid from → until	Qty
1	SP1523444	Remote REM550		1
2	1440440-9005	JOYSTICK BOX SUPPORT SHARK, WITHOUT SCREWS		1
3	SP1498222	Installation-Kit For Control Unit Support Swing-Away Mechanism REM 24 SD		1
4	SP1535082	Joystickknob, cpl.		1

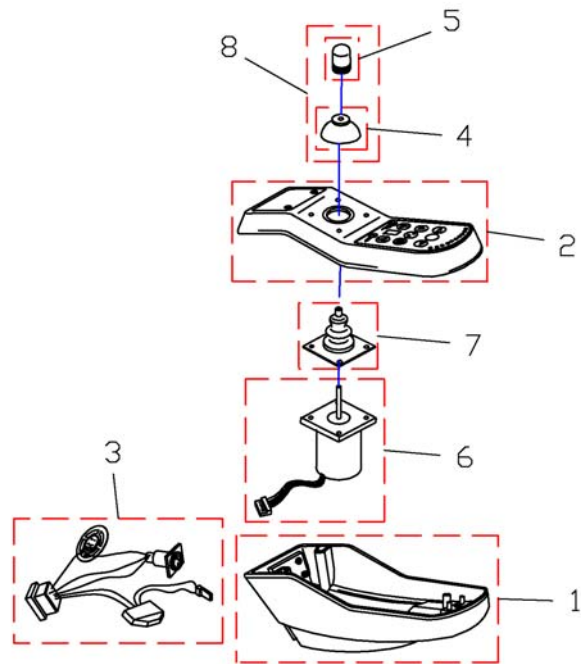
REM 24SC



Pos.	Part number	Description	Valid from → until	Qty
	GME61927	Fixing Clamp For ACS Bus Connector		1
2	GSM9917	KEYPAD WITH REM 24SC HOUSING FACEPLATE		1
3	P41105	Bus Cable Socket		1
4	P41107	PROGRAMMER SOCKET		1
5	P41103	CHARGER SOCKET		1
6	P30494	HORN		1
7	Z183229	JOYSTICK KNOB CPL.		1
8	P10304	ACS Joystick With Connecting Cable		1
9	Z183001A	Rubber Gaiter For ACS Remote		1
10	D10120	Cross Head Screw M4 X 30		1

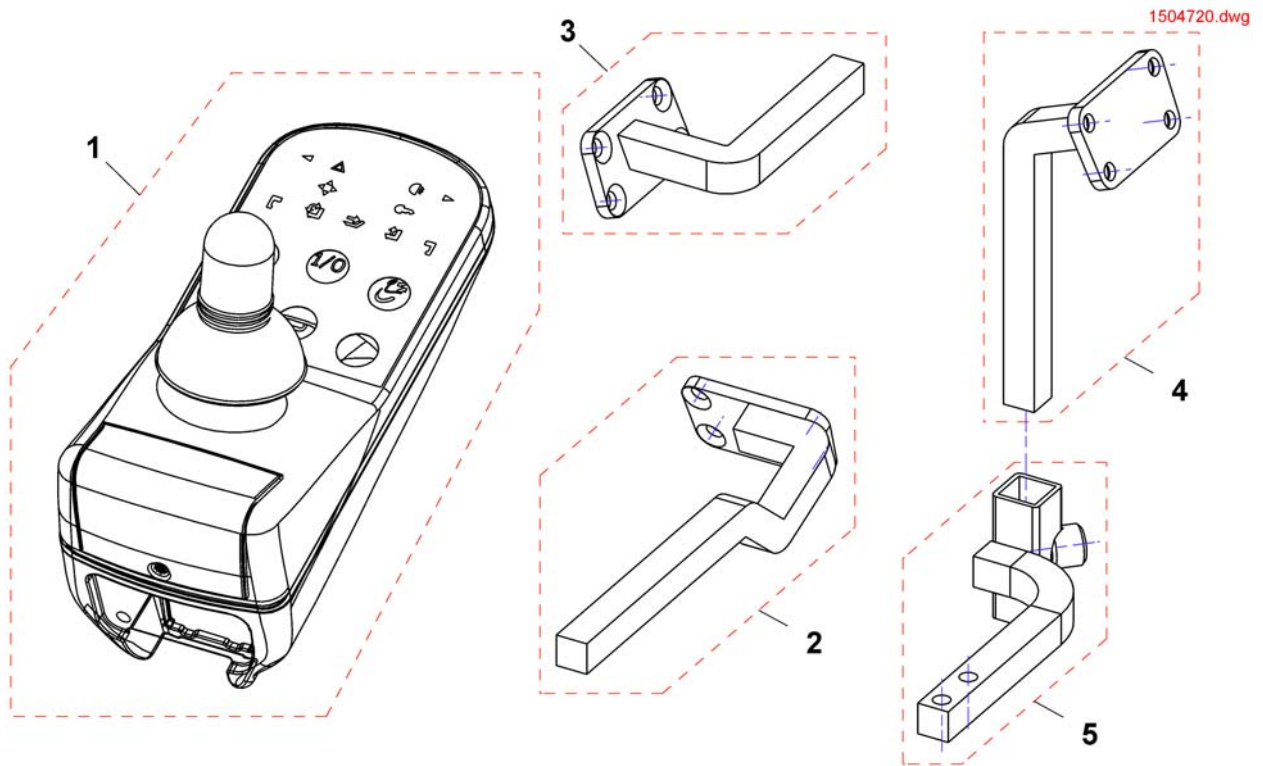
REM 24SD

F3_REM24SD.dwg



Pos.	Part number	Description	Valid from → until	Qty
-	1497420	Mounting Clamp REM24SD		1
1	1497416	Housing Lower Part REM24SD		1
2	1497417	Housing Upper Part with Keypad		1
3	1497418	Loom for REM24SD		1
4	P40118	ACS Joystick Knob Lower		1
5	6001771	DL Controller Knob(Spare)		1
6	1428927	Joystick for REM24SD		1
7	Z183001A	Rubber Gaiter For ACS Remote		1
8	Z183229	JOYSTICK KNOB CPL.		1

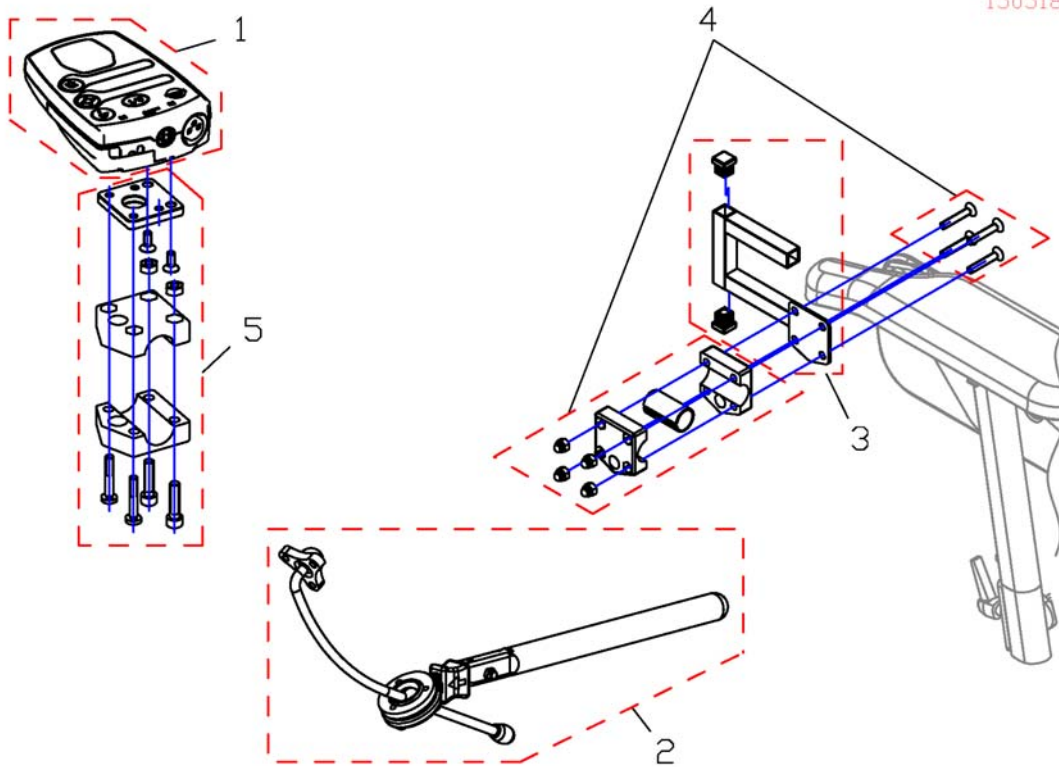
G90 & Holder



Pos.	Part number	Description	Valid from → until	Qty
1	1504720	Remote G90A		1
2	SP1518449	Holder G90A, Standard, RH		1
2	SP1518450	Holder G90A, Standard, LH		1
3	SP1509439	Remote Bracket Attendant Control G90A RH		1
3	SP1509435	Remote Bracket Attendant Control G90A LH		0
4	SP1505054	Remoteholder		1
5	SP1517289	Guide		1

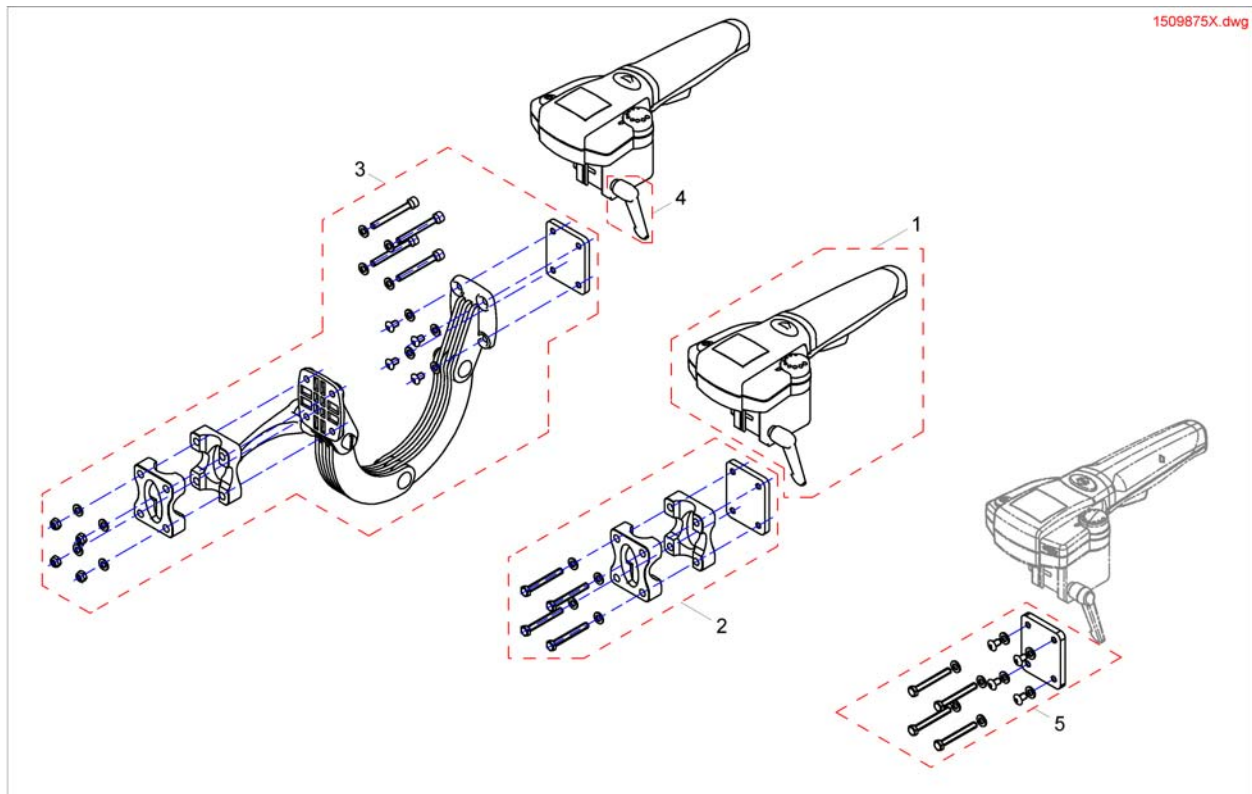
G91 & Holder

1505187.dwg

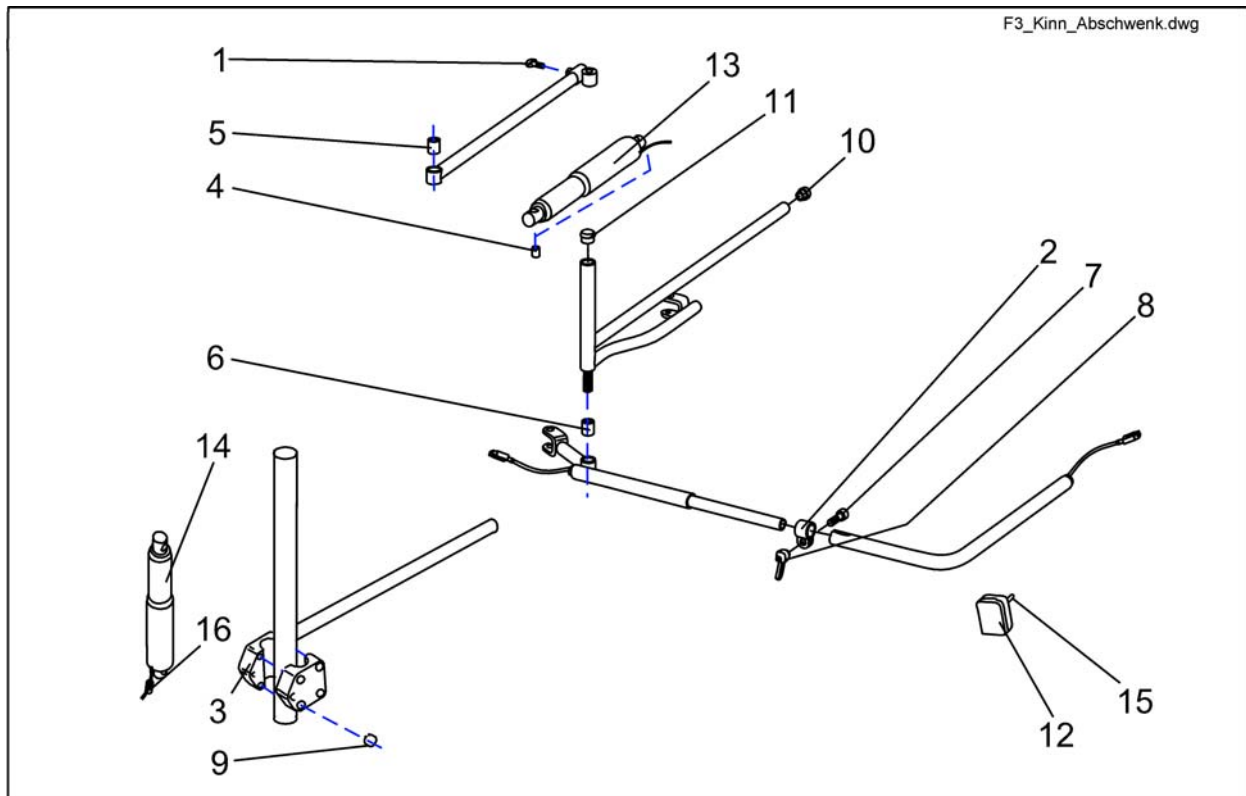


Pos.	Part number	Description	Valid from → until	Qty
-	GSM63016	ACS Bus-Cable 1,6M		1
1	1505187	Remote Control G91S		1
2	SP1527504	Swan Neck Remote Bracket with Adapter Plate		1
3	SP1509711	Adapter G91 RH		1
3	SP1509716	Adapter G91 LH		1
4	SP1527503	Gripper Clamp cpl.		1
5	SP1528271	Holder for Backresttube		1

IDC Dual Control

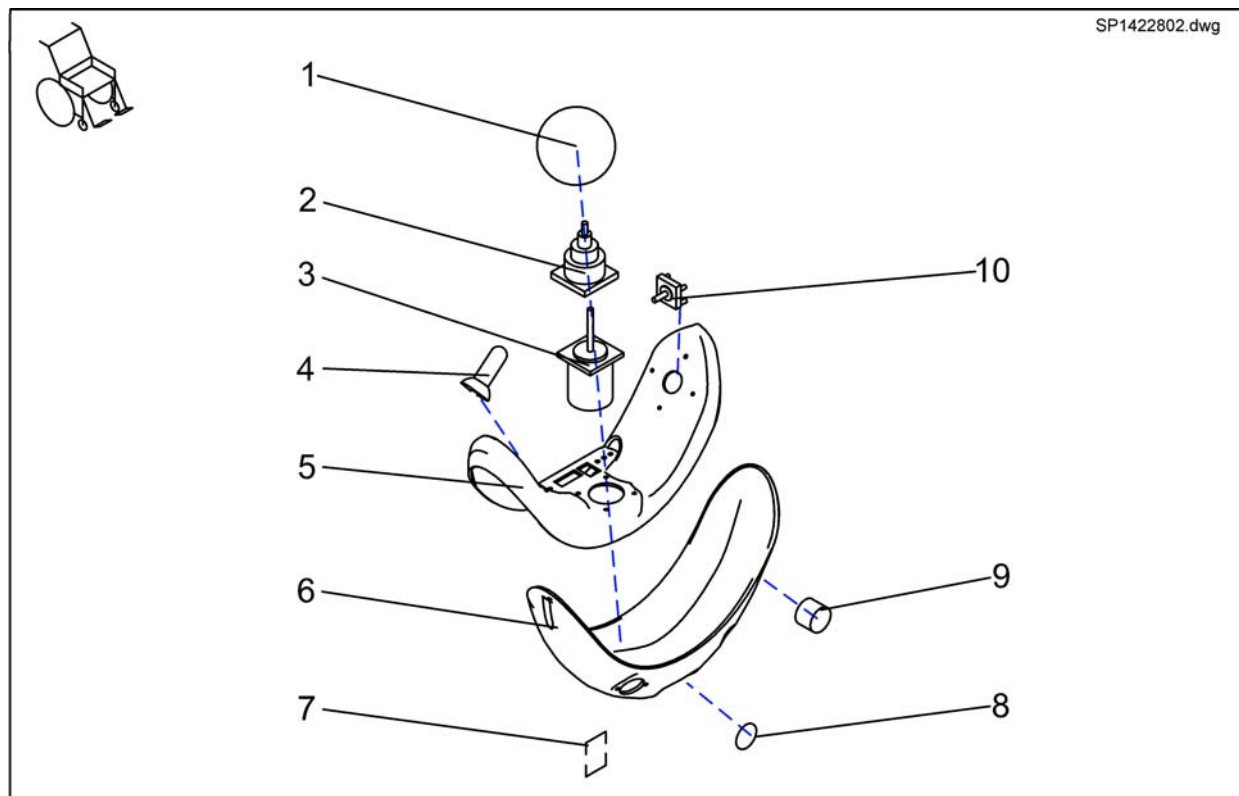


Pos.	Part number	Description	Valid from → until	Qty
1	SP1509875	Intuitiv Dual Control <i>For chairs build befor 01/02/10 please also order SP1537148</i>		1
2	SP1522310	Fixed Bracket		1
3	SP1521488	Adjustable Bracket		1
4	SP1510135	Clamp Lever M5x10		1
5	SP1537148	Supportplate IDC for chairs before 01.02.10		1



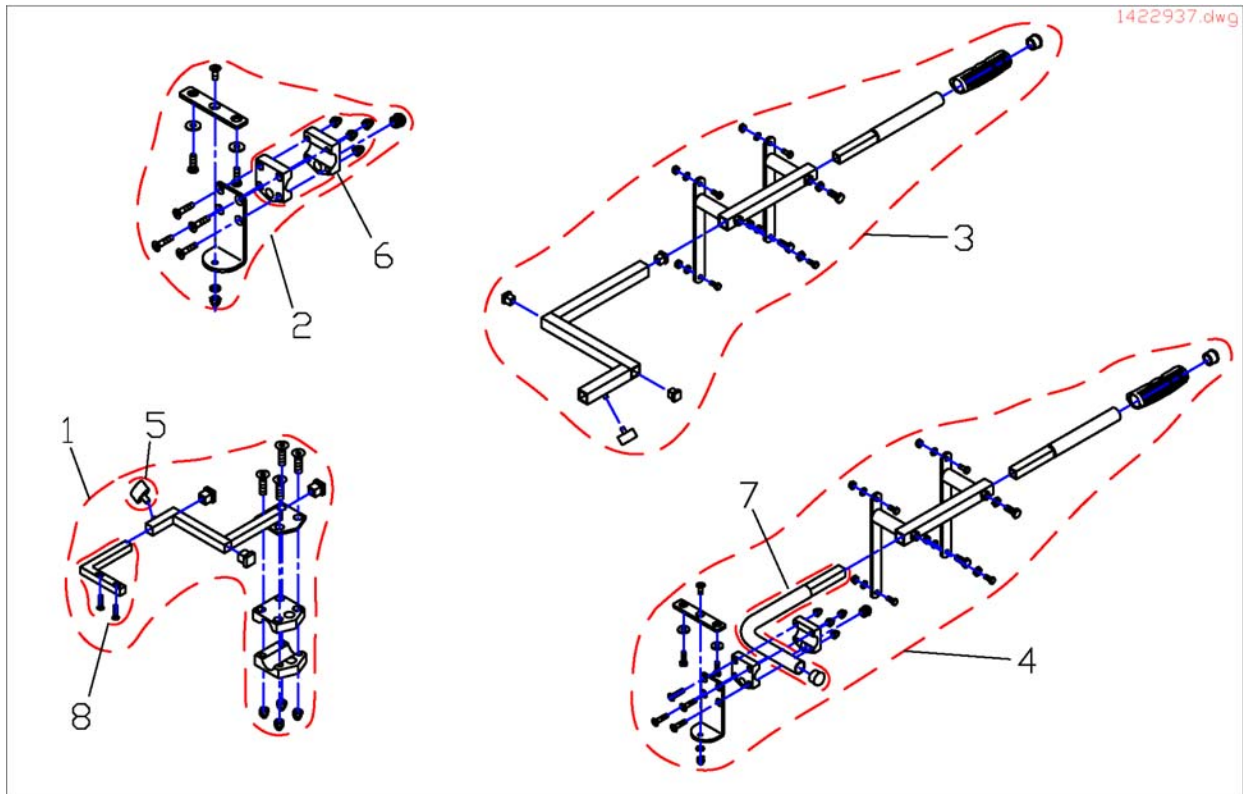
Pos.	Part number	Description	Valid from → until	Qty
	Z183011A	TOGGLE SWITCH EXTENSION		1
	L01041	Cover Cap For Wheel Invacare P452E		1
	-	Sks Nut Cap M12		1
	P12194	POLYSWITCH FUSE RXE 135		1
1	-	Handknob		1
-	SP1422944	CHIN CONTROL ELECTRIC HORIZONTAL SWING-AWAY RH CPL.		1
2	5006720	Klemmschelle F. Dm 22 mm		1
-	SP1422945	CHIN CONTROL ELECTRIC HORIZONTAL SWING-AWAY LH CPL.		1
3	Z12009A	CLAMP		1
4	4000665-0002	SPACER BUSH 10X1X22.5		1
5	A17012A	BUSH RD. 18 X 22		1
6	Z131009A	Bush Rd. 18 X 3 X 22		1
7	E30101	CUP HEAD NIBBED BOLT M8 X 25		1
8	L32901	LEVER M8, BLACK		1
9	K22103	SECURING RING OUTER A10		1
10	L01049	TUBE END PLUG SL 18		1
11	-	Tube End Plug SI 22		1
12	L90994	MULTIBOX MB P0655035, SMALL		1
13	P00082	ACTUATOR LA 22.5E-75-24 INCL. CABLE AND SWITCH		1
14	P00081	ACTUATOR LA 22.5E-100-24 WITH STOP-SWITCH		1
15	Z183011A	TOGGLE SWITCH EXTENSION		1
15	P30109	TOGGLE SWITCH SINGLE POLE		1
16	P09596	FERRITE SLEEVE C=8 D=1		1

Chin Control Dash Board



Pos.	Part number	Description	Valid from → until	Qty
	Z183048	HORN CLAMP		1
	GME61927	Fixing Clamp For ACS Bus Connector		1
	P30499	HORN F/YMB 24 (DIGISOUND)		1
	P09594	FERRITE SLEEVE C=6.4,D=2 TDK ZCAT 1325-0530A		1
	P10475	STICKER SET (ACS CHIN CONTROL)		1
1	Z183265	FOAM CONTROL KNOB CPL.		1
2	Z183001A	Rubber Gaiter For ACS Remote		1
3	P10304	ACS Joystick With Connecting Cable		1
4	Z183229	JOYSTICK KNOB CPL.		1
5	F383019	UPPER HOUSING FOR CHIN CONTROL		1
6	Z183242	LOWER HOUSING FOR CHIN CONTROL LH		1
6	Z183241	LOWER HOUSING FOR CHIN CONTROL RH		1
7	P41106	CHARGER SOCKET		1
8	T95099	O-RING 14-3 MM		1
9	P41108	ACS-BUS CABLE SOCKET		1
9	P41106	CHARGER SOCKET		1
9	P41104	PROGRAMMER SOCKET		1
10	Z183244	ACS-CHIN CONTROL JOYSTICK SWITCH RH		1
10	Z183243	ACS-CHIN CONTROL JOYSTICK SWITCH LH		1

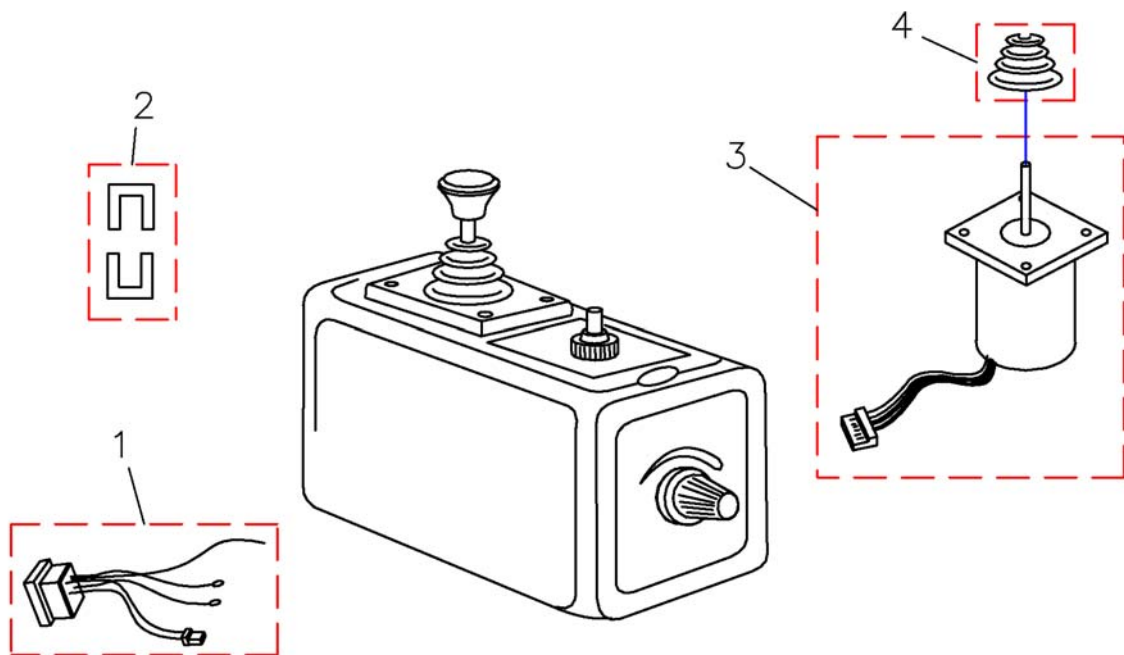
Remote fixation, for Attendant Control



Pos.	Part number	Description	Valid from → until	Qty
1	SP1422937	Assembly Kit F. Std. Attendant Seat Control LH .		1
1	SP1422936	Assembly Kit RH F. Std. Attendant Seat Control		1
2	SP1422818	Assembly Kit For Attendantcontrol (Standard/Kontour/Flex)		1
3	SP1422814	Assebmly Kit for Dual Control cpl., RECARO LH		1
3	SP1422813	Assebmly Kit for Dual Control cpl., RECARO RH		1
4	SP1422819	ASSEMBLY KIT F. Dual Control RECARO		1
5	-	Handknob		1
6	Z12008A.P40	Gripping Clip With Hexagon Hole, Ral 9005 Black		1
7	F383065-9005	HOLDER FOR ATTENDANT CONTROL RECARO, BLACK		1
8	SP1440289	ATTENDANT JOYSTICK BOX SUPPORT REM 24SD WITH SCREWS, LH		1
8	SP1440288	ATTENDANT JOYSTICK BOX SUPPORT REM 24SD WITH SCREWS, RIGHT		1

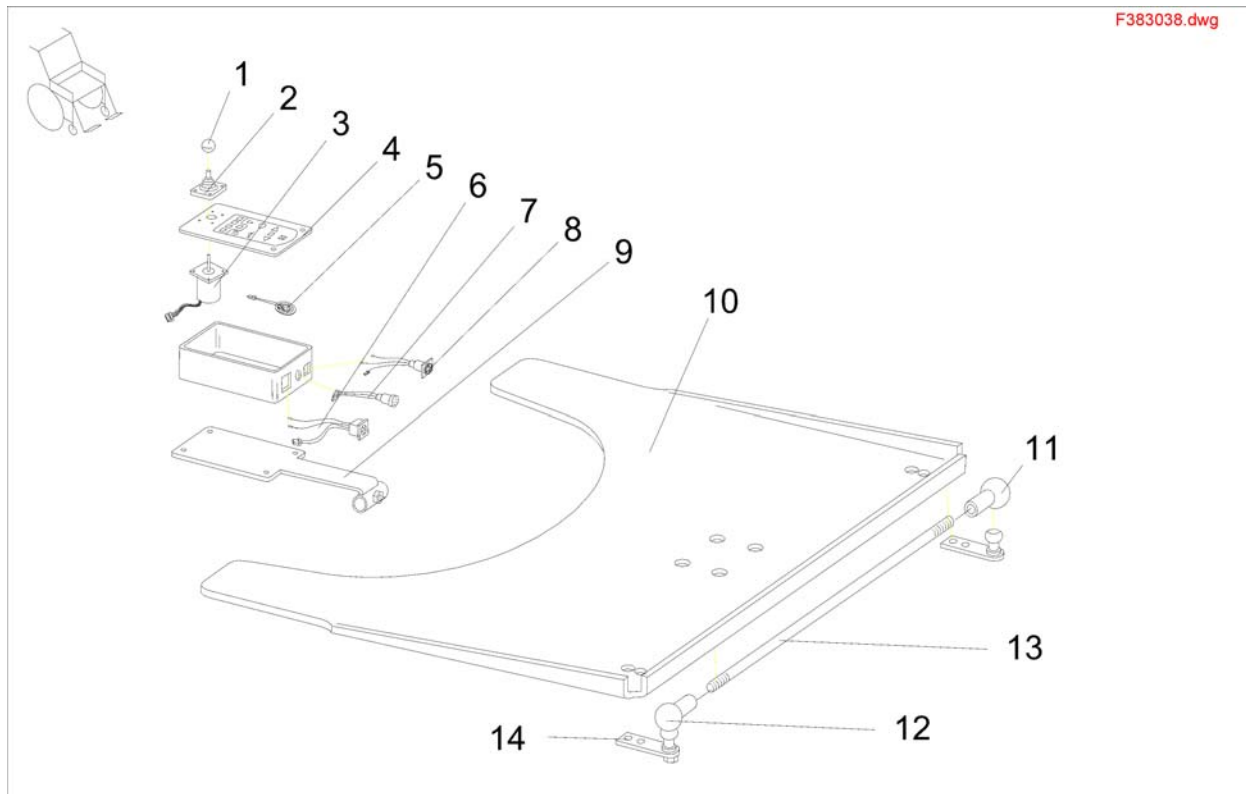
Dual Control

6001425.dwg



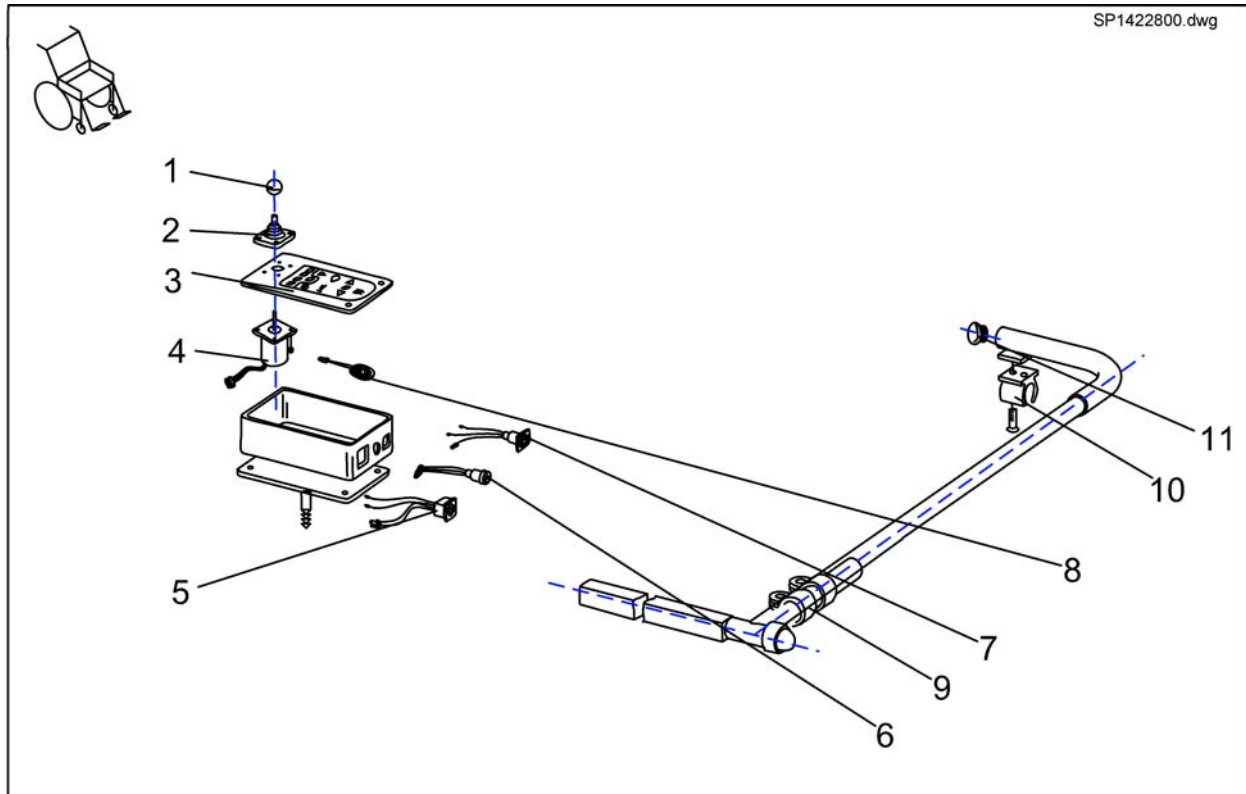
Pos.	Part number	Description	Valid from → until	Qty
-	6001425	ACS Dual Control		1
1	P41105	Bus Cable Socket		1
2	GME61927	Fixing Clamp For ACS Bus Connector		1
3	P10304	ACS Joystick With Connecting Cable		1
4	Z183001A	Rubber Gaiter For ACS Remote		1

Tray Control

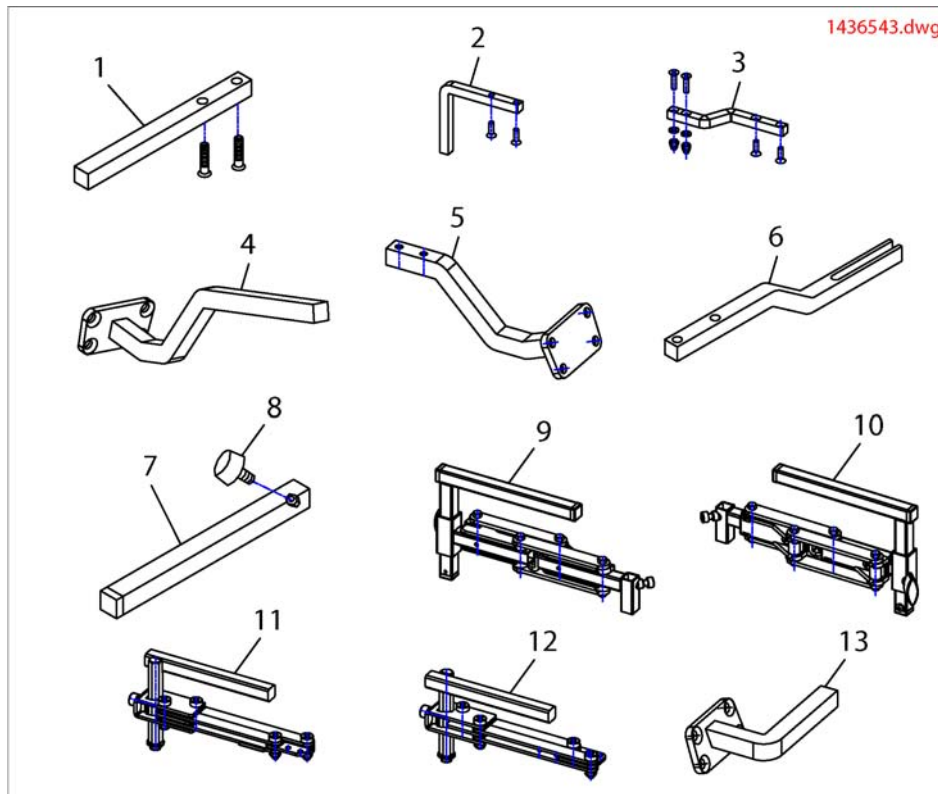


Pos.	Part number	Description	Valid from → until	Qty
-	SP1422798	TRAY CONTROL CPL. REM41		1
1	L36999	KNOB FOR JOYSTICK 32 MM, HOLE 5.8 MM		1
2	Z183001A	Rubber Gaiter For ACS Remote		1
3	GSM55120	ACS-JOYSTICK WITH 180MM CABLE		1
4	P30907	FOIL KEYPAD FOR TABLE REMOTE		1
5	P30493	HORN		1
6	P41108	ACS-BUS CABLE SOCKET		1
7	P41107	PROGRAMMER SOCKET		1
8	P41106	CHARGER SOCKET		1
9	Z177021.00	ACS-TRAY STEERING SUPPORT BRACKET; CHROME PLATED		1
10	Z17024A	Tray 660 X 540 X 8, Transparent		1
11	N04109	SWIVEL JOINT AS 13-M8 RH		1
12	SP4100136	SUPPORT ROD, CPL..		1
13	U89010A.99	ROD. M. L=560 MM		1
14	D20109	COUNTERSUNK CROSS HEAD SCREW M5 X 12		4
15	SP1527930	DX ACS Tray Remote DX-REM41		1

Central Steering

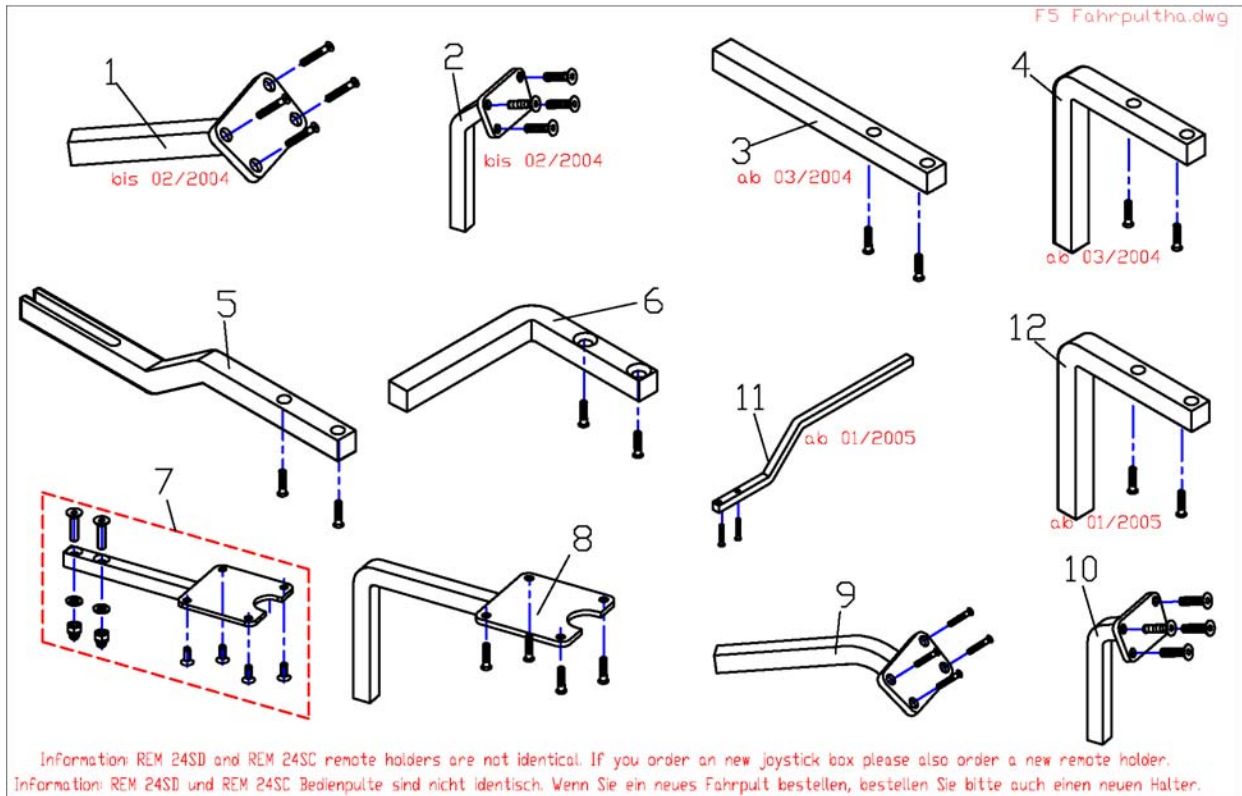


Pos.	Part number	Description	Valid from → until	Qty
-	SP1527930	DX ACS Tray Remote DX-REM41		1
1	L36999	KNOB FOR JOYSTICK 32 MM, HOLE 5.8 MM		1
2	Z183001A	Rubber Gaiter For ACS Remote		1
3	P30907	FOIL KEYPAD FOR TABLE REMOTE		1
4	GSM55120	ACS-JOYSTICK WITH 180MM CABLE		1
5	P41108	ACS-BUS CABLE SOCKET		1
6	P41107	PROGRAMMER SOCKET		1
7	P41106	CHARGER SOCKET		1
8	P30493	HORN		1
9	5006720	Klemmschelle F. Dm 22 mm		1
10	Z16001A	Clamp		1
11	-	Tube End Plug SI 22		1
12	SP1523598	Holder Central Steering LH		1
12	SP1523597	Holder Central Steering RH		1



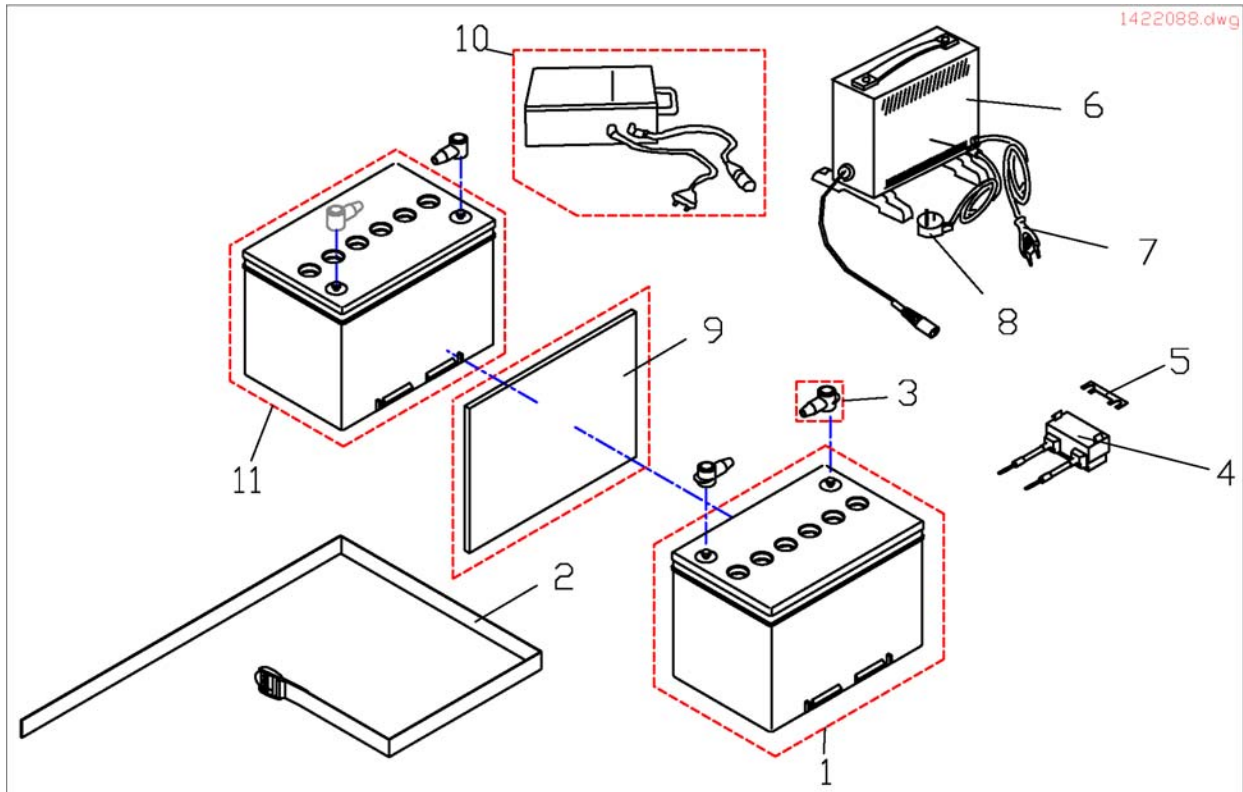
Pos.	Part number	Description	Valid from → until	Qty
1	SP1436542	Joystick Box Support Std. For REM 24SD, With Screws	20040301 →	1
2	SP1436543	Joystick Box Support Swing Away REM 24SD & Shark, With Screws	20040301 →	1
3	SP1536180	Montagekit for swing-away remote		1
3	SP1498222	Installation-Kit For Control Unit Support Swing-Away Mechanism REM 24 SD		1
4	SP1504822	Remote Bracket Tube G90A Standard		1
5	SP1509071	Remote Bracket G90A swing away		1
6	SP1440493	Joystick Box Support Swing away REM 24SD Optimist, with screws		1
7	SPS183040	Remote Bracket Standard		1
8	SPL31001	Wing ScREW M6x10		1
9	SP1421796	Swing-Out Height-Adjustable Remote Holder LH		1
10	SP1421795	Swing-Out Height-Adjustable Remote Holder RH		1
11	SP1496248	Remote Bracket, Height Adjustable And Swing Away RH		1
12	SP1496249	Remote Bracket, Height Adjustable And Swing Away LH		1
13	SP1509439	Remote Bracket Attendant Control G90A RH		1
15	SP1509690	Remote Bracket G91/G91S RH, cpl.		1
16	SP1422943	CHIN CONTROL , MANUAL HORIZONTAL SWING-AWAY LH		1
16	SP1422942	CHIN CONTROL , MANUAL HORIZONTAL SWING-AWAY RH		1
17	SP1422947	MG Bracket for Chin Control for Std-/Contour-Seat		1
18	SP1422951	ASSEMBLY KIT F. CHIN CONTROL HOLDER RECARO CPL.		1

Control unit holder



Pos.	Part number	Description	Valid from → until	Qty
1	1442890	REMOTE SUPPORT REM 24 SC STANDARD, CPL. WITH SCREWS	→ 20040229	1
2	SP1423434	SWING-OUT HEIGHT ADJUSTABLE REM 24SC HOLDER CPL.	→ 20040229	1
3	SP1436542	Joystick Box Support Std. For REM 24SD, With Screws	20040301 →	1
4	SP1436543	Joystick Box Support Swing Away REM 24SD & Shark, With Screws	20040301 →	1
5	SP1440493	Joystick Box Support Swing away REM 24SD Optimist, with screws		1
6	1440438-9005	ATTENDANT JOYSTICK BOX SUPPORT REM 24SD		1
7	SP1527125	Part not for sale		1
8	SP1434922	SWING-OUT REM34 REMOTE HOLDER		1
9	SPZ183302	REMOTE G80 I HOLDER CPL.		1
10	SP1422812	REMOTE HOLDER SWING AWAY G80I CPL. WITH SCREWS		1
11	1442777	Remote Support Shark, cpl. With Screws	20050101 →	1
12	SP1436543	Joystick Box Support Swing Away REM 24SD & Shark, With Screws	20040301 →	1

Electric Support



Pos.	Part number	Description	Valid from → until	Qty
	1446573	BATTERY CABLE FOR SHARK WITH LIGHTS		1
1	P50016	BATTERY 70 AH <i>Storm³, Storm³ Modulo, Storm³ EURO</i>		2
3	P52996	Battery Terminal Cover		2
4	1446574	STRIP FUSE HOLDER WITH FUSE SHARK		2
2	1421655	Battery Strap		2
5	P12191	Fuse 50A		2
5	1442600	Strip Fuse 40A (Shark)		1
6	SPP51981	Gel Battery Charger Unit		1
7	P21079	Charger Power Cable (Shockproof Plug)		2
6,7	SP1423696	Charger 24V/8A With Continental Mains Cable, cpl.		1
6,8	SP1423697	Charger 24V/8A With Uk Mains Cable, cpl.		1
8	P21080	UK 3 Pin Mains Lead		2
8	1466783	Power Cable, 3-pole, black, 6A/250VAC (Switzerland)		1
9	F384057	BATTERY BOX LINING, BLACK		2
10	5813987	Battery Charger 8A Gi Popular (only Sweden)		2
-	1419370	BATTERY CABLE 70AH, Light 24V		1
11	1432944	Battery Mk Sldg 60Ah (Gel) <i>Storm³-BLU (not available in Germany)</i>		1
11	SP1522107	AGM Battery 50Ah <i>Storm³ BLU</i>		1
12	SP1523354	Battery Fixation-Kit (not shown) <i>Storm³-BLU</i>		1
-	1419983	BATTERY CABLE (TÜV VERSION)		1
-	1432560	BATTERY CABLE 70AH (f. GEARLESS MOTORS)		1
4	1419369	STRIP FUSE CPL.		2
4	1432561	Strip Fuse Holder with 80A Fuse		2

Cable

ACS-Buskabel		1419386.dwg	
Länge / length (mm)		Pos.	
300		1	
400		2	
700		3	
1100		4	
1600		5	
1900		6	
2600		7	
2900		8	
spiral		9	

Shark-Buskabel			
Länge / length (mm)		Pos.	
1500		10	
2000		11	

Kabel für Licht- und Aktuatormodule (CLAM)
Cable for Light- and Actuators (CLAM)

Licht / Light	Sitzwinkelverstellung Seatangleadjustment	Rückenverstellung Backrestadjustment	Sitzhöhenverstellung Seatheightadjustment	Beinstütze Legrest	Pos.
24V	✓	✓	✓	✓	12
24V	✓	✗	✗	✓	13
24V	✓	✓	✗	✓	14
24V	✓	✗	✓	✓	15
24V (NL)	✓	✓	✗	✓	16
24V	✓	✓	✗	✓	17

Batteriekabel / Battery cable

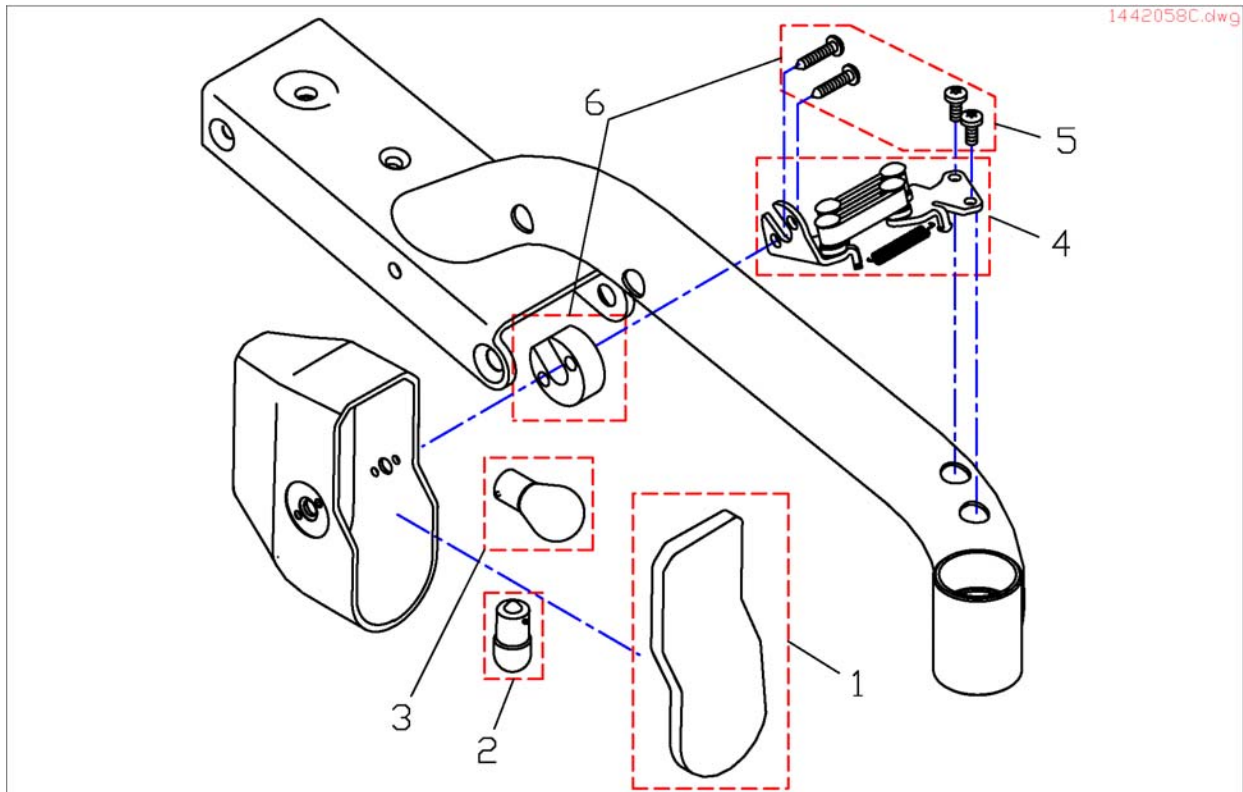
	Pos.
24V	18
24V (True Track)	19
24V (Shark)	20

Kabel für Licht und 2 Aktuatoren
Cable for Light and 2 Actuators

Licht / Light	Sitzwinkelverstellung Seatangleadjustment	Rückenverstellung Backrestadjustment	Pos.
✓	✓	✓	21

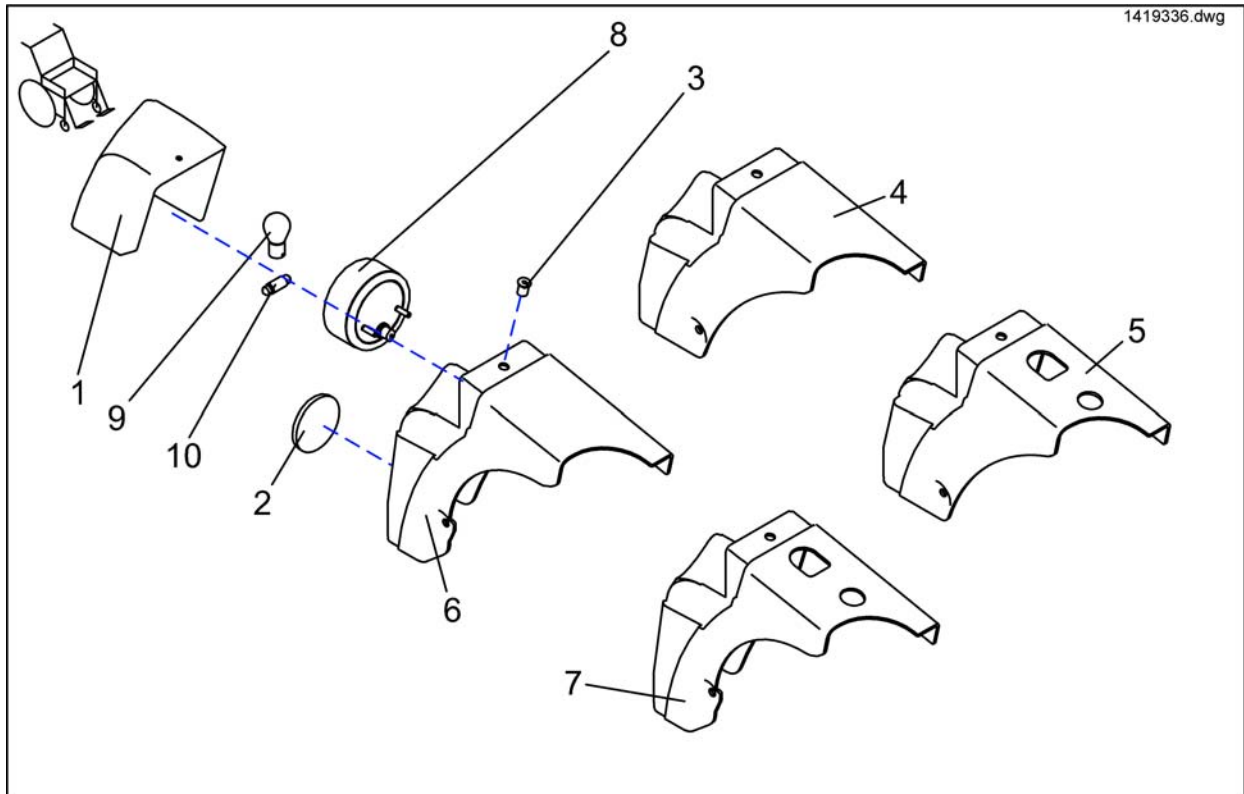
Pos.	Part number	Description	Valid from → until	Qty
1	GSM63003	ACS Bus Cable L=300 mm		1
2	GSM63004	ACS-BUS CABLE L=400 MM; BLACK		1
3	GSM63007	ACS-BUS CABLE L=0.7 M		1
4	GSM63011	ACS Bus-Cable 1,1M		1
5	GSM63016	ACS Bus-Cable 1,6M		1
6	1419386	ACS BUS CABLE L=1900 MM		1
7	GSM63026	ACS-BUS CABLE L=2600 MM		1
8	1423209	ACS BUS CABLE L=2900 MM		1
9	GSM9887	Curly Cable(GSM63051)		1
10	1450313	Shark2 Bus Cabel L=1500mm		1
11	1484911	Shark2 Buscable L=2000mm		1
12	1419390	CABLE HARNESS CLAM; ACTUATORS; LIGHT		1
13	1421730	CABLE HARNESS CLAM; LIGHT; LEG RESTS, SEAT ANGLE		1
14	1421729	CABLE HARNESS CLAM; LIGHT; ELECT. ADJUSTMENTS		1
15	1421728	CABLE HARNESS CLAM; LIGHT; LIFTER, LEG RESTS, SEAT ANGLE ADJUST.		1
16	1449432	MAIN CABLE HARNESS Storm³ NL (07/2005-->)		1
17	1492854	CABLE HARNESS CLAM; LIGHT, TILT-, BACK-, LEGRESTADJUSTMENT		1
18	1419370	BATTERY CABLE 70AH, Light 24V		1
19	1432560	BATTERY CABLE 70AH (f. GEARLESS MOTORS)		1
20	1446573	BATTERY CABLE FOR SHARK WITH LIGHTS		1
21	1488951	Harness Shark For Ligth And Electrical Adjustments		1

Front Light



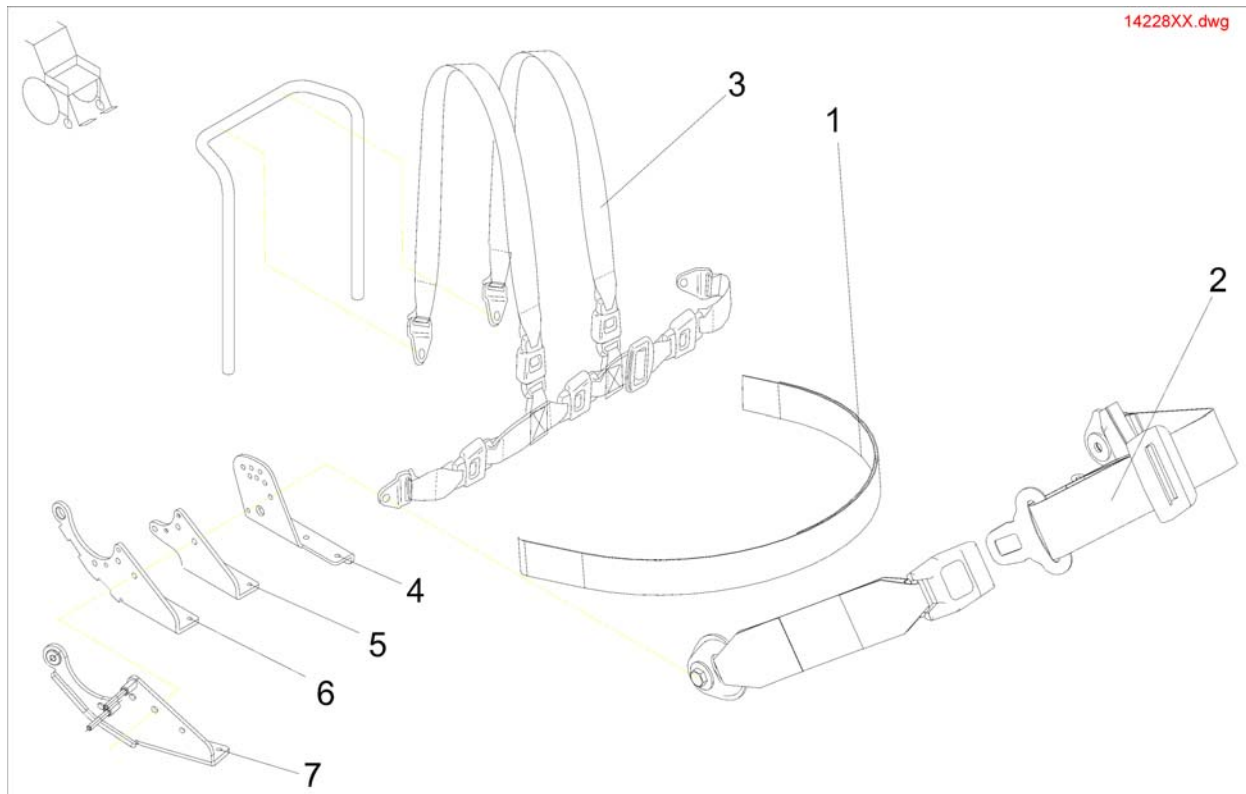
Pos.	Part number	Description	Valid from → until	Qty
-	1420412	HEADLIGHT 24V, RIGHT, WITHOUT HOLDER		1
-	1420413	HEADLIGHT 24V, LEFT, WITHOUT HOLDER		1
1	1433737	Glass For Front Light		1
2	P31108	Light Bulb 24V/10W		1
3	1419271	Light Bulb 24V/21W Yellow, turn indicator		1
4	1428081	Swivel Mechanism LH		1
4	1428082	Swivel Mechanism RH		1
5	1442685	Mounting Kit Front Light		1
6	SP1422822	ASSEMBLY KIT FOR SEAT WIDTH STARTING FROM 43CM, HEADLIGHT, LEFT AND RIGHT		1

Rear Lights



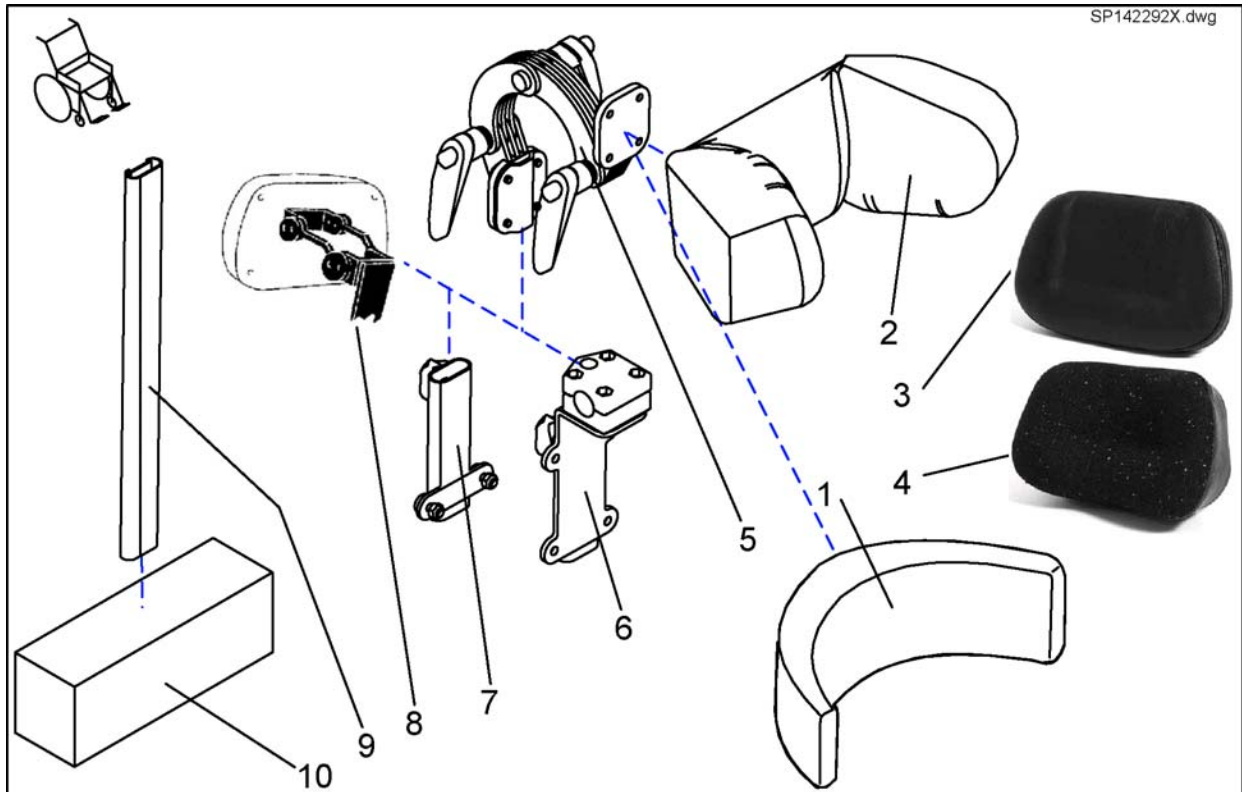
Pos.	Part number	Description	Valid from → until	Qty
-	SP1419338	LIGHT SUPPORT WITH LIGHT FOR LUGGAGE CARRIER CPL.		1
-	SP1433547	LIGHT SUPPORT WITHOUT LIGHT & LUGGAGE CARRIER		1
-	SP1419336	LIGHT SUPPORT WITH LIGHT WITHOUT LUGGAGE CARRIER CPL.		1
-	SP1433558	LIGHT SUPPORT WITH LIGHT FOR LUGGAGE CARRIER		1
-	SP1433557	LIGHT SUPPORT WITHOUT LIGHT FOR LUGGAGE CARRIER		1
-	SP1433556	LIGHT SUPPORT WITH LIGHT WITHOUT LUGGAGE CARRIER		1
-	SP1419335	LIGHT SUPPORT WITHOUT LIGHT & LUGGAGE CARRIER CPL.		1
-	SP1419337	LIGHT SUPPORT WITHOUT LIGHT FOR LUGGAGE CARRIER CPL.		1
1	1421739	LAMP CASING, SILVER RH		1
1	1421738	LAMP CASING, SILVER LH		1
1	SP1421739	LAMP CASING, NO LIGHTS		1
1	SP1421738	LAMP CASING, NO LIGHTS		1
1	1419332	LAMP CASING, CLEAR RH		1
1	1419331	LAMP CASING, CLEAR LH		1
2	1419274	Reflector Red, Round		1
3	1422052	GETO WELL NUT M5		1
4	1419334	REAR LIGHT SUPPORT RH		1
4	1419333	REAR LIGHT SUPPORT LH		1
5	1421815	LIGHT SUPPORT LH WITH LUGGAGE CARRIER CUTOUT		1
5	1421814	LIGHT SUPPORT RH WITH LUGGAGE CARRIER CUTOUT		1
6	1429342	LIGHT SUPPORT LH		1
6	1429343	LIGHT SUPPORT RH		1
7	1430144	LIGHT SUPPORT RH WITH LUGGAGE CARRIER CUTOUT		1
7	1430143	LIGHT SUPPORT LH WITH LUGGAGE CARRIER CUTOUT		1
8	1442736	Rear Light 24V, cpl.		1
9	1419271	Light Bulb 24V/21W Yellow, turn indicator		1
10	P31191	Lamp 24V/5W		1

Fixation Belts



Pos.	Part number	Description	Valid from → until	Qty
1	1422870	POSITIONING STRAP WITH VELCRO CPL. FOR FLEX/CONTOUR-SEAT		1
1	1422869	Positioning Strap With Velcro cpl. for Junior-Seat		1
1	F367002	SAFETY BELT WITH VELCRO FASTNER F. RECARO		1
2	1422846	POSITIONING STRAP WITH SNAP CPL. FOR FLEX/CONTOUR		1
2	1422845	Positioning Strap With Snap cpl. For Standard-Seat		1
2	Z163001A	SAFETY BELT WITH SNAP LOCK AND VELCRO FASTNER FOR RECARO		1
3	SP1422848	Holding Strap For Standard And Contour Seat H-Form cpl.		1
3	SP1422847	HOLDING STRAP FOR FLEX SEAT H-FORM CPL.		1
4	1419994-9005	Backrest Adjustment RH		1
4	1419997-9005	Backrest Adjustment LH		1
5	1420476-9005	BRACE BRACKET MANUAL RH		1
5	1420477-9005	BRACE BRACKET MANUAL/ELECTRICAL LH		1
6	1429564-9005	FITTING ATTACHMENT LH F. SLIDING ARMREST		1
6	1429563-9005	FITTING ATTACHMENT RH F. SLIDING ARMREST		1
7	1429565-9005	FITTING ATTACHMENT RH F. ELECTRICAL ADJUSTMENT		1
7	1429564-9005	FITTING ATTACHMENT LH F. SLIDING ARMREST		1

Headrest

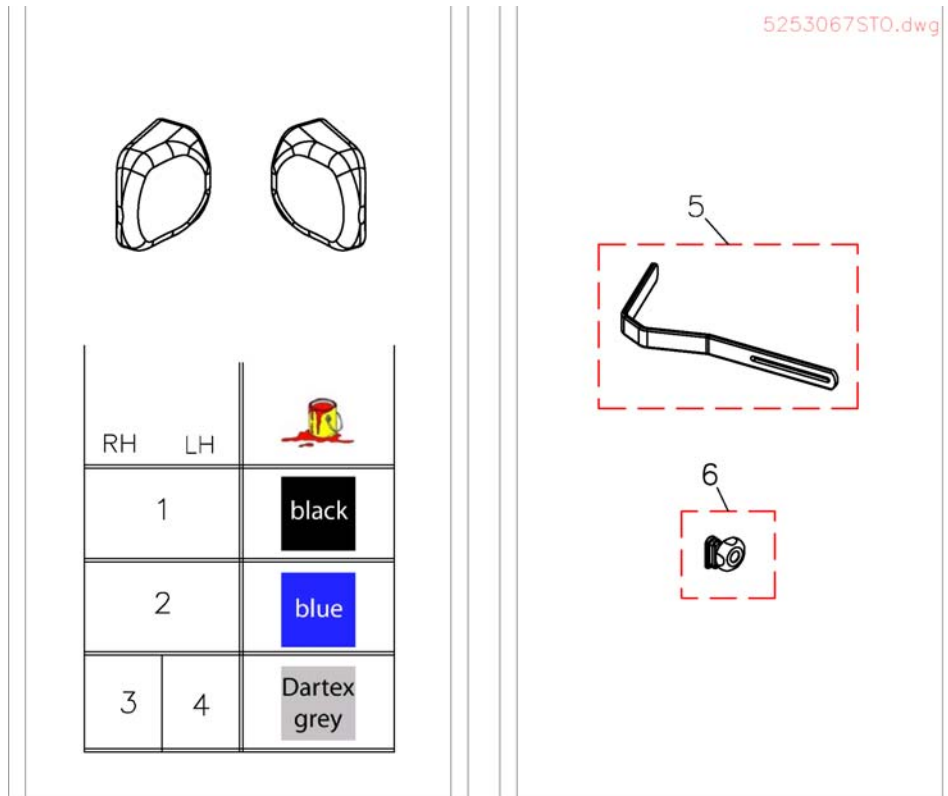


Pos.	Part number	Description	Valid from → until	Qty
1	1422865	HEADREST PAD STD./CONTOUR BLACK		1
2	1422544	HEADREST PAD FLEX BLUE		1
2	5252230-TR23	HEADREST PAD,COMFORT		1
1,5	SP1422925	Headrest Standard/Contour Black cpl.		1
2	1440285	Part not for sale		1
3	1419640	HEAD REST PAD ARNE JENSEN STANDARD CHILDREN		1
2,5	SP1428092	Headrest Flex-Seat Dartex grey, cpl.		1
2,5	SP1423163	Headrest Flex-Seat grey, cpl.		1
2,5	SP1440285	Headrest Flex-Seat black, cpl.		1
2,5	SP1422926	Headrest Flex-Seat blue, cpl.		1
3	5313999	HEAD REST PAD ARNE JENSEN STANDARD ADULTS		1
4	1419643	HEAD REST PAD ARNE JENSEN TYPE 4 ADULTS		1
4	1419646	HEAD REST PAD ARNE JENSEN TYPE 4 CHILDREN		1
5	1444209	NECK REST ATTACHM. CPL		1
6	SP1422914	Headrest Bracket For Standard Seat cpl.		1
7	SP1422547	Headrest Bracket For Contour-/Flex Seat cpl.		1
8	1419637	HEAD REST HOLDER ARNE JENSEN TYPE 3 CHILDREN		1
8	1419636	HEAD REST HOLDER ARNE JENSEN TYPE 3 ADULTS		1
9	1422921	HOLDER F. BACKREST EXTENSION		1
10	5253037-TR23	Backrest Extension for Flex Seat, SW48cm, Dartex		1
10	5253037-TR04	Backrest Extension for Flex Seat, SW48cm, grey vinyl		1
10	5253036-TR23	Backrest Extension for Flex Seat, SW43cm, Dartex		1
10	5253035-TR04	Backrest Extension for Flex Seat, SW39cm, grey vinyl		1
10	SP1422919	Backrest Extension for Flex Seat, SW43cm, blue		1
10	SP1422920	Backrest Extension for Flex Seat, SW48cm, blue		1
10	SP1422918	Backrest Extension for Flex Seat, SW39cm, blue		1
10	SP1440283	Backrest Extension for Flex Seat, SW48cm, black		1
10	5253035-TR23	Backrest Extension for Flex Seat, SW39cm, Dartex		1
10	SP1436568	BACKREST EXTENSION FOR FLEX SEAT SB 44CM, BLACK		1
10	SP1436567	Backrest Extension for Flex Seat, SW39cm, black		1
1.5	SP1422925	Headrest Standard/Contour Black cpl.		1

Headrest

Pos.	Part number	Description	Valid from → until	Qty
2.5	SP1428092	Headrest Flex-Seat Dartex grey, cpl.		1
2.5	SP1440285	Headrest Flex-Seat black, cpl.		1
2.5	SP1423163	Headrest Flex-Seat grey, cpl.		1
2.5	SP1422926	Headrest Flex-Seat blue, cpl.		1

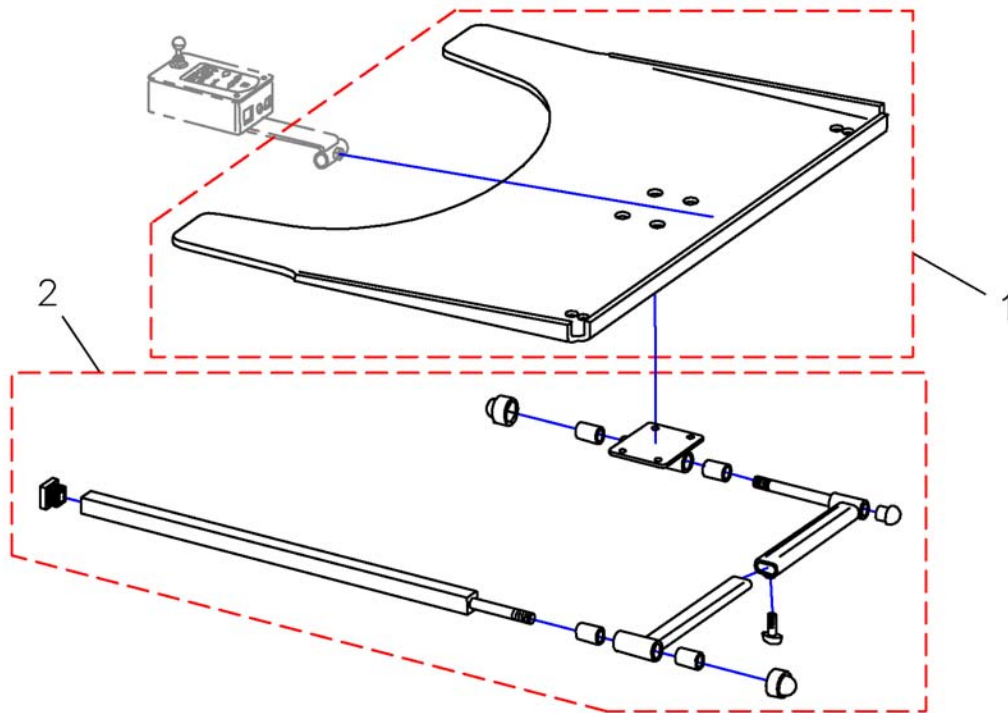
Trunk Support



Pos.	Part number	Description	Valid from → until	Qty
1	SP1440284	Trunk Support for Flex, black		1
2	SP1422545	Trunk Support for Flex, blue		1
3	1448692	TRUNK SUPPORT LE TR26 MULTI ADJUSTABLE		1
4	1448693	TRUNK SUPPORT RI TR26 MULTI ADJUSTABLE		1
5	1423700-9005	Handle for Pelotte		1
6	5253170	Holder Complete Trunk Support		1

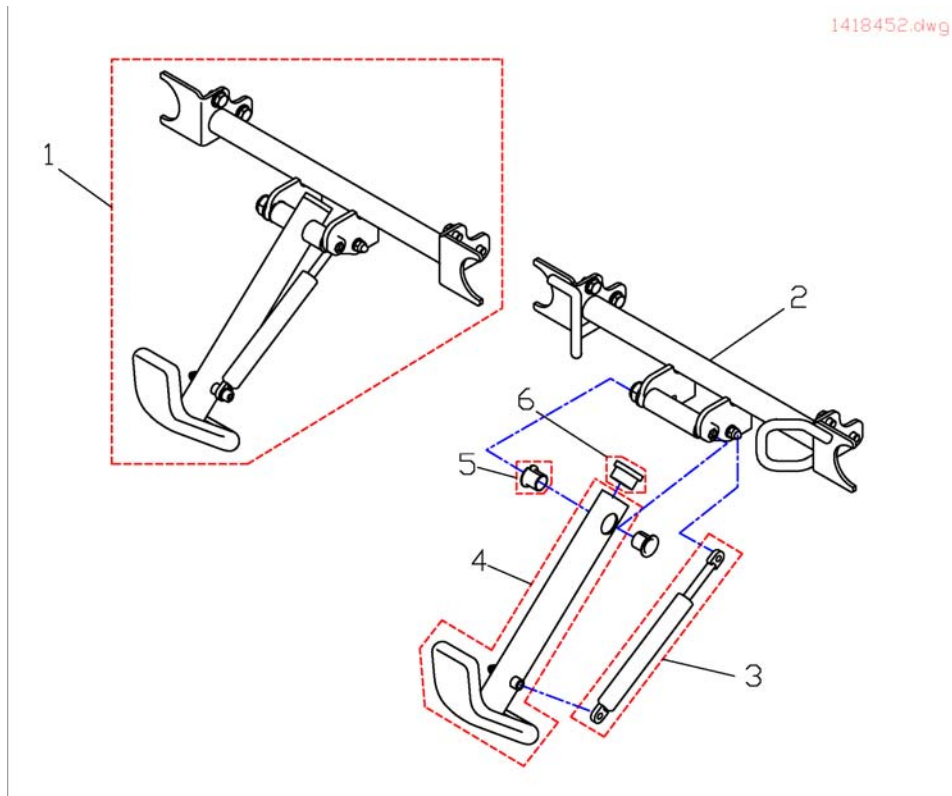
Tray

Z177036.dwg



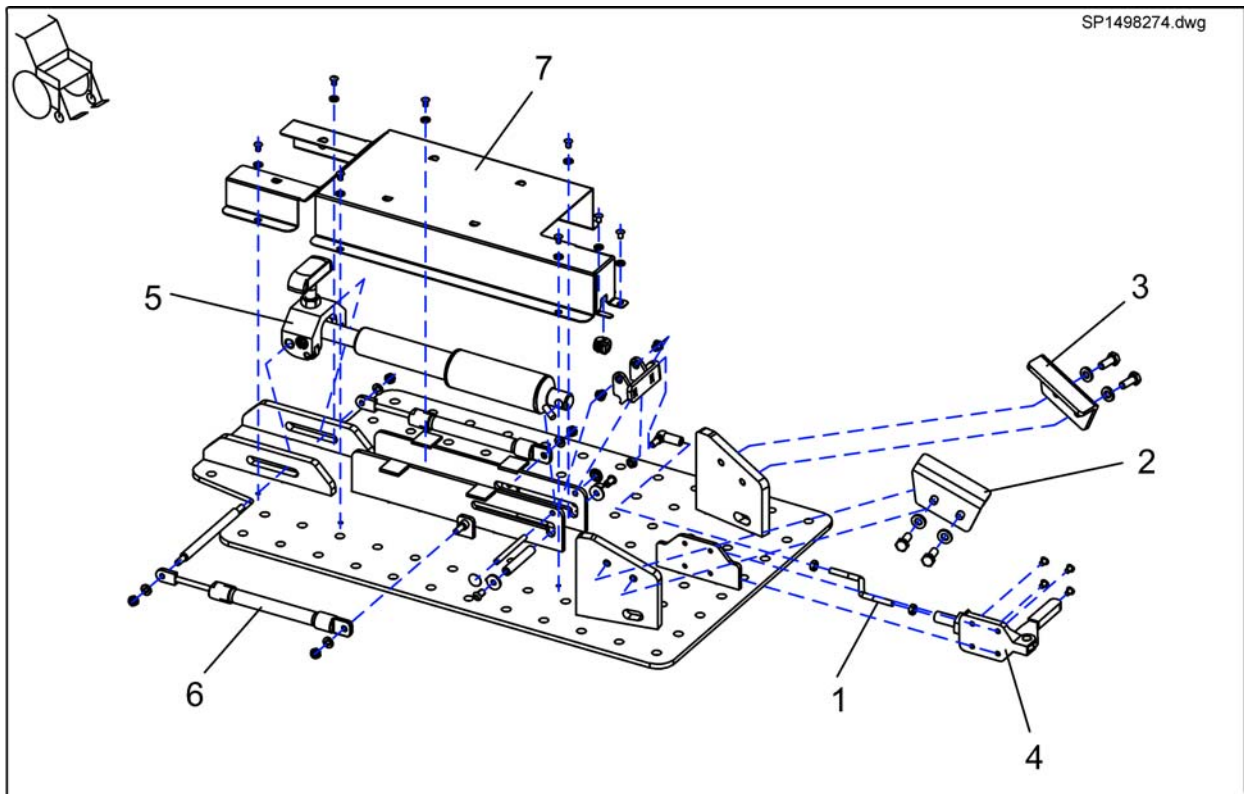
Pos.	Part number	Description	Valid from → until	Qty
-	SP1422954	Swing-Out Tray Without Cut-Out, cpl.		1
-	SP1422953	Swing-Out Tray With Cut-Out F. Control RH cpl.		1
-	SP1422952	Swing-Out Tray With Cut-Out F. Control LH cpl.		1
1	Z177017	Tray-LH Control, Transparent		1
1	Z177016	Tray-RH Control, Transparent		1
1	Z17024A	Tray 660 X 540 X 8, Transparent		1
2	SPZ177011	Tray holder		1

Kerb Climber



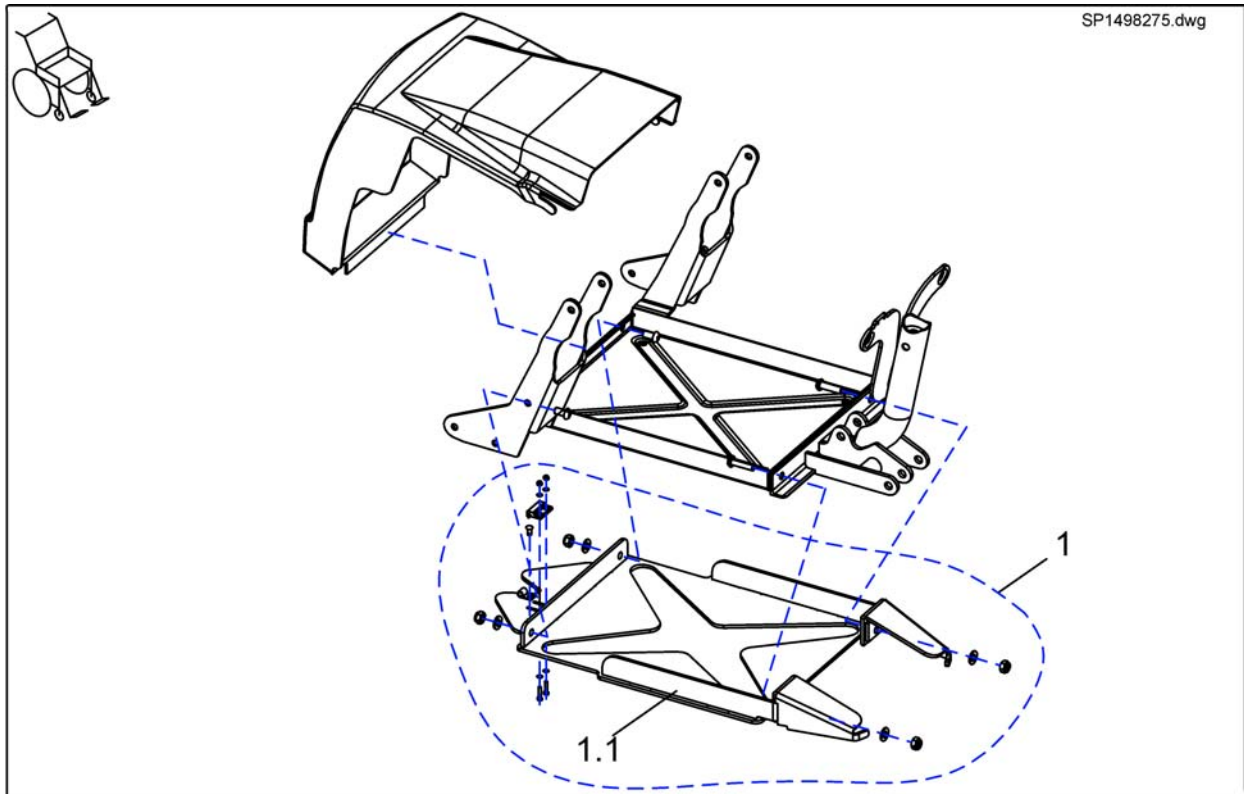
Pos.	Part number	Description	Valid from → until	Qty
	SP1434453	Curbsclimber With Front Fixation cpl.		1
1	SP1418452	Kerb Climber cpl.		1
2	1434454-9005	Kerbstone Raiser Receptacle With Fixing Brackets		1
3	N10499	Gas Spring		1
4	1433733	Kerb Climber With Shoe		1
5	N02201	Bush BB 1517 DU		1
6	L01039	Tube End Plug F 38 X 20		1

Docking station Storm³



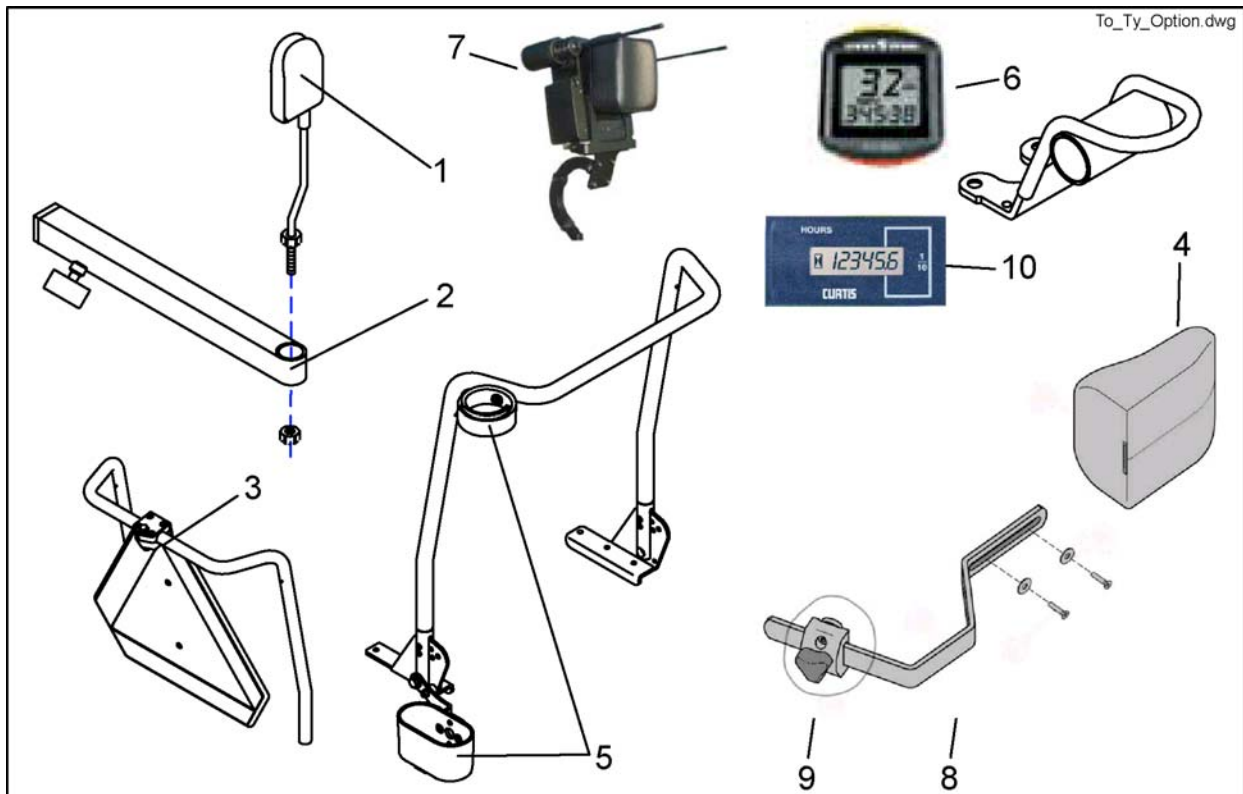
Pos.	Part number	Description	Valid from → until	Qty
1	1496134-0002	Part not for sale		1
2	1496132-0002	Guidance bracket		1
3	1496133-0002	Guidance bracket		1
4	1498409	Part not for sale		1
5	1498421	Part not for sale		1
6	1498420	Part not for sale		1
7	1496135	Cover		1

Fixation docking station Storm³



Pos.	Part number	Description	Valid from → until	Qty
1	SP1498275	Fixation Docking Station		1

Options



Pos.	Part number	Description	Valid from → until	Qty
-	1449280	USB Wizard Dongle Kit, EDL-USB, cpl.		1
-	1421733	REED-SENSOR CABLE		1
1,2	SP1422881	Rear Mirror Complete With Support		1
-	1430834	Rear Marking Sign Ece-R 69		1
-	1440530	TRANSPORT RAMP		1
-	1442684	Touch Up Paint RAL 9005 Black "silk-mat"		1
-	P22317	CABLE SOCKET 6 X 10 X 13		1
-	P30497	MAGNET, ROUND 6 X 25		1
-	Q99991	AIR PUMP WITH INSERT HOSE		1
-	SP1422868	ON-BOARD TOOL SET WITH BAG		1
-	SP1524591	Adapter Cable for Hour Counter		1
-	Z12008A.P40	Gripping Clip With Hexagon Hole, Ral 9005 Black		1
-	Z176015A	NYLONBAG		1
-	Z183255-9005	ACS-SPEEDOMETER BRACKET REM 24		1
-	Z183259	TACHOMETER		1
-	Z183296-9005	SPEEDOMETER HOLDER G80I		1
1	SP1422955	Rear Mirror		1
2	SP1423435	Rear Mirror Support Rail cpl.		1
3	SP1430410	REAR MARKING SIGN ECE-R 69 CPL.		1
5	1442701	CANE HOLDER FOR STANDARD-SEAT, LH, CPL.		1
5	SP1534877	Cane Holder for Standard-Seat, RH		1
5	1442702	CANE HOLDER FOR CONTOUR/FLEX-SEAT, LH, CPL.		1
5	1442725	CANE HOLDER FOR RECARO-SEAT, COMPLETE		1
5	SP1422844	Cane Holder Std. cpl., RH/LH		1
5	SP1422949	CANE HOLDER CONTOUR / FLEX SEAT, RH, CPL.		1
5	SP1423159	CANE HOLDER RECARO CPL.		1
6	SP1421843	SIGMA SPORT SPEEDOMETER, CPL. (REM 24)		1
6	SP1422841	SIGMA SPORT BC 600 SPEEDOMETER, CPL. (G 80I)		1
7	1442679	HEAD CONTROL UNIT ACS		1
8	1423700-9005	Handle for Pelotte		1
10	SP1485699	Hour Counter Of GB Motor		1



Yes, you can.®



Belgium & Luxemburg:

Invacare nv, Autobaan 22, B-8210 Loppem
Tel: (32) (0)50 83 10 10, Fax: (32) (0)50 83 10 11
belgium@invacare.com

Danmark:

Invacare A/S, Sdr. Ringvej 37, DK-2605 Brøndby
Tel: (45) (0)36 90 00 00, Fax: (45) (0)36 90 00 01
denmark@invacare.com

Deutschland:

Invacare Aquatec GmbH, Alemannenstraße 10, D-88316 Isny
Tel: (49) (0)75 62 7 00 0, Fax: (49) (0)75 62 7 00 66
info@invacare-aquatec.com

European Distributor Organisation:

Invacare, Kleiststraße 49, D-32457 Porta Westfalica
Tel: (49) (0)57 31 754 540, Fax: (49) (0)57 31 754 541
edo@invacare.com

España:

Invacare SA, c/Areny s/n, Polígon Industrial de Celrà, E-17460 Celrà (Girona)
Tel: (34) (0)972 49 32 00, Fax: (34) (0)972 49 32 20
contactsp@invacare.com

France:

Invacare Poirier SAS, Route de St Roch, F-37230 Fondettes
Tel: (33) (0)2 47 62 64 66, Fax: (33) (0)2 47 42 12 24
contactfr@invacare.com

Ireland:

Invacare Ireland Ltd, Unit 5 Seatown Business Campus, Seatown Road, Swords, County Dublin - Ireland
Tel: (353) 1 810 7084, fax: (353) 1 810 7085
ireland@invacare.com

Italia:

Invacare Mecc San s.r.l., Via dei Pini 62, I-36016 Thiene (VI)
Tel: (39) 0445 38 00 59, Fax: (39) 0445 38 00 34
italia@invacare.com

Nederland:

Invacare BV, Celsiusstraat 46, NL-6716 BZ Ede
Tel: (31) (0)318 695 757, Fax: (31) (0)318 695 758
nederland@invacare.com, csede@invacare.com

Norge:

Invacare AS, Grensesvingen 9, Postboks 6230, Etterstad, N-0603 Oslo
Tel: (47) (0)22 57 95 00, Fax: (47) (0)22 57 95 01
norway@invacare.com, island@invacare.com

Österreich:

Mobitec Mobilitätshilfen GmbH, Herzog Odilostrasse 101, A-5310 Mondsee
Tel: (43) 6232 5535 0, Fax: (43) 6232 5535 4
office@mobitec-austria.com, austria@invacare.com

Portugal:

Invacare Lda, Rua Estrada Velha, 949, P-4465-784 Leça do Balio
Tel: (351) (0)225 1059 46147, Fax: (351) (0)225 1057 39
portugal@invacare.com

Sverige & Suomi:

Invacare AB, Fagerstagatan 9, S-163 91 Spånga
Tel: (46) (0)8 761 70 90, Fax: (46) (0)8 761 81 08
sweden@invacare.com, finland@invacare.com

Switzerland:

Mobitec Rehab AG, Benkenstrasse 260, CH-4108 Witterswil
Tel: (41) (0)61 487 70 80, Fax: (41) (0)61 487 70 81
office@mobitec-rehab.ch, switzerland@invacare.com

United Kingdom:

Invacare Limited, Pencoed Technology Park, Pencoed, Bridgend CF35 5HZ
Switchboard Tel: (44) (0)1656 776200, Fax: (44) (0)1656 776201
Customer services Tel: (44) (0)1656 776222, Fax: (44) (0)1656 776220
UK@invacare.com