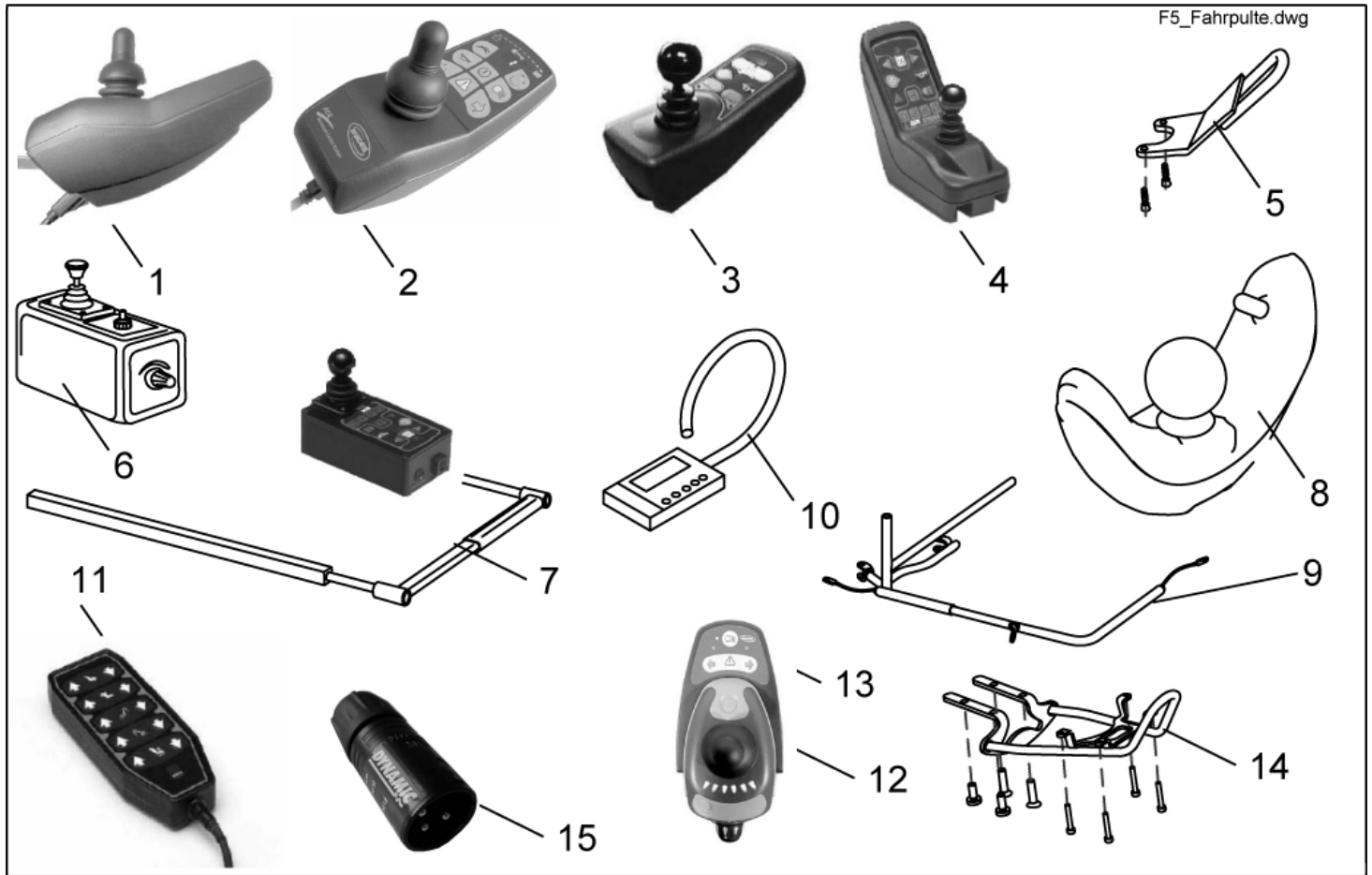
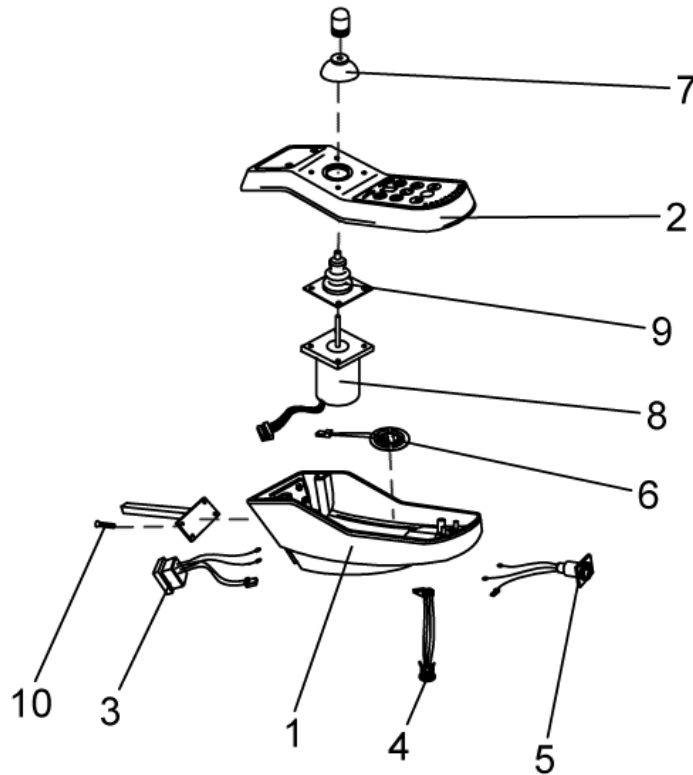


Control Unit/ Joystickbox



item	ordercode	description	quantity
1	P10150	REMOTE REM 24 SC	1
-	Z183229	JOYSTICK KNOB CPL.	1
-	GSM9917	KEYPAD WITH REM 24SC HOUSING FACEPLATE	1
2	1436541	REMOTE REM 24 SD	1
3	P10156	REMOTE REM G80 I	1
4	1419205	JOYSTICK BOX REM 34 (DOLPHIN)	1
5	SP1422827	GUARD BOW F. G80I REMOTE CPL.	1
5	SP1422828	GUARD BOW F. REM 24 REMOTE CPL.	1
6	6001425	ACS CTRL. FOR ATTENDANT SWITCHABLE	1
6	1449299	SHARK Nachrüstsatz Bedienung Begleitperson, umschaltbar	1
7	SP1422799	SWING-OUT MIDDLE CONTROL LH CPL.	1
7	SP1422800	SWING-OUT MIDDLE CONTROL RH CPL.	1
8	SP1422801	ACS CHIN CONTROL LH CPL.	1
8	SP1422802	ACS CHIN CONTROL RH CPL.	1
-	1422947	ASSEMBLY KIT F. CHIN CONTROL HOLDER CPL.	1
-	SP1422951	ASSEMBLY KIT F. CHIN CONTROL HOLDER RECARO CPL.	1
9	SP1422946	ELECTR. VERTICAL SWING-OUT CHIN CONTROL ASSEMBLY KIT	1
9	SP1422944	ASSEMBLY KIT RH F. EL. HORIZONTAL SWING-OUT CHIN CONTROL	1
9	SP1422945	ASSEMBLY KIT FOR ELECTR. HORIZONTAL SWING-OUT CHIN CONTROL, LH CPL.	1
9	SP1422942	ASSEMBLY KIT RH F. MANUAL HORIZONTAL SWING-OUT CHIN CONTROL	1
9	SP1422943	ASSEMBLY KIT FOR ELECTR. HORIZONTAL SWING-OUT CHIN CONTROL	1
10	6001450	ACS-HAND PROGRAMMER, "F; GER; ESP"	1
11	F382007	ARC5 CONTROL CPL.	1
12	SP1440287	REMOTE SHARK WITH LIGHTENING	1
13	1440541	LIGHTING REMOTE	1
14	1442691	GUARD BOW FOR SHARK WITH LIGHTS REMOTE CPL.	1
15	1441551	PROGRAMMING ADAPTER SHARK (UNCONDITIONALLY NECESSARY TO PROGRAM SHARK)	1

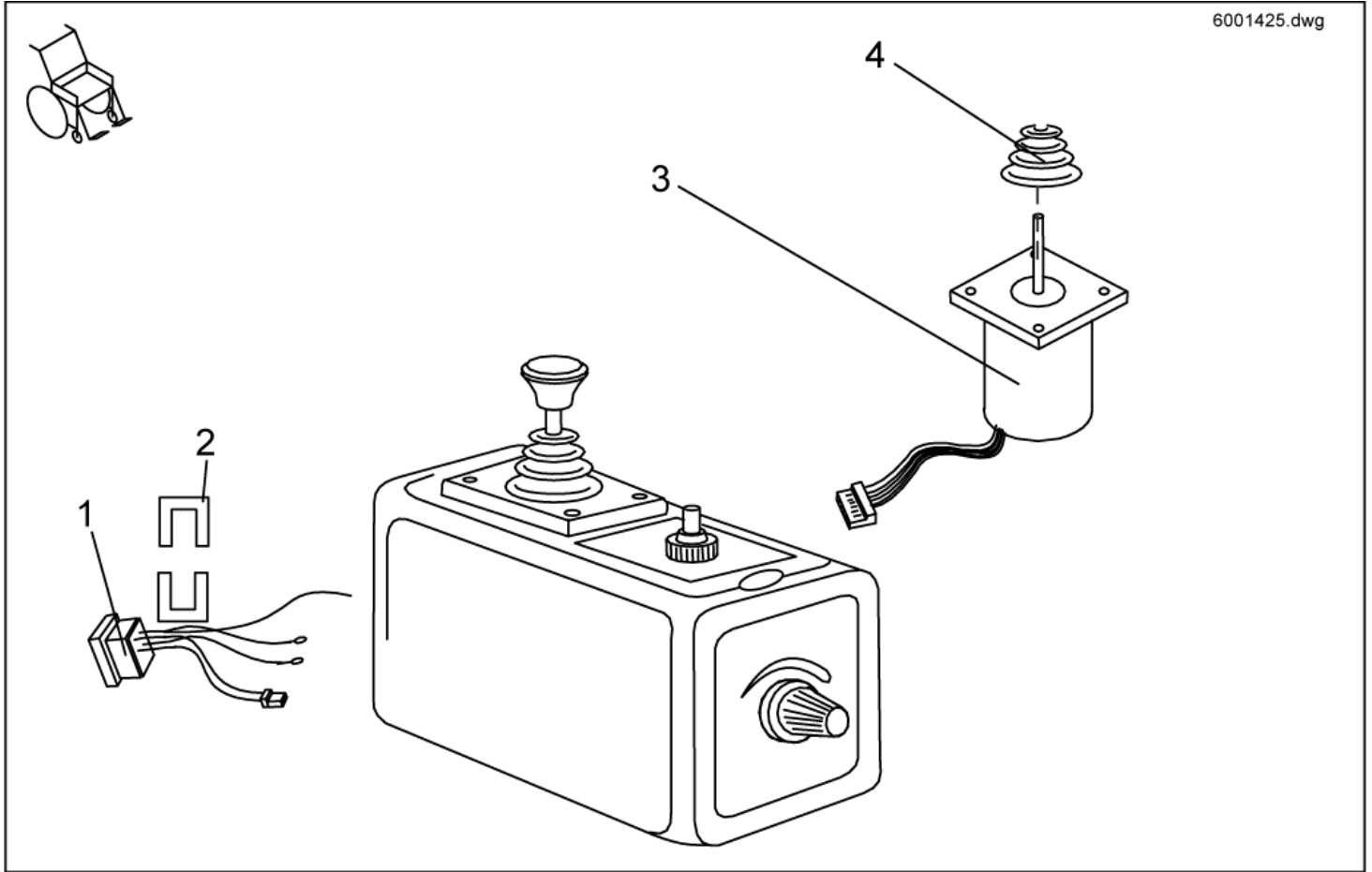
item	ordercode	description	quantity
-	P10062	WIZARD SOFTWARE	1
-	SP1419695	MAGNETIC KEY W. POUCH CPL.	1
-	SP1436544	ATTENDANT JOYSTICK BOX REM 24SD	1



item	ordercode	description	quantity
1	P10182	LOWER HOUSING (DX-REM 24)	1
2	GSM9917	UPPER HOUSING ACS-JOYSTICK BOX (DX-REM 24); ANTHRACITE	1
3	P41105	BUS CABLE SOCKET	1
4	P41107	PROGRAMMER SOCKET	1
5	P41103	CHARGER SOCKET	1
-	GME61927	FIXING CLAMP	1
6	P30494	HORN	1
7	Z183229	JOYSTICK KNOB CPL.	1
8	P10304	JOYSTICK	1
9	Z183001A	RUBBER GAITER; BLACK	1
10	NA	CROSS HEAD SCREW M4 X 30	2

Attendant Control

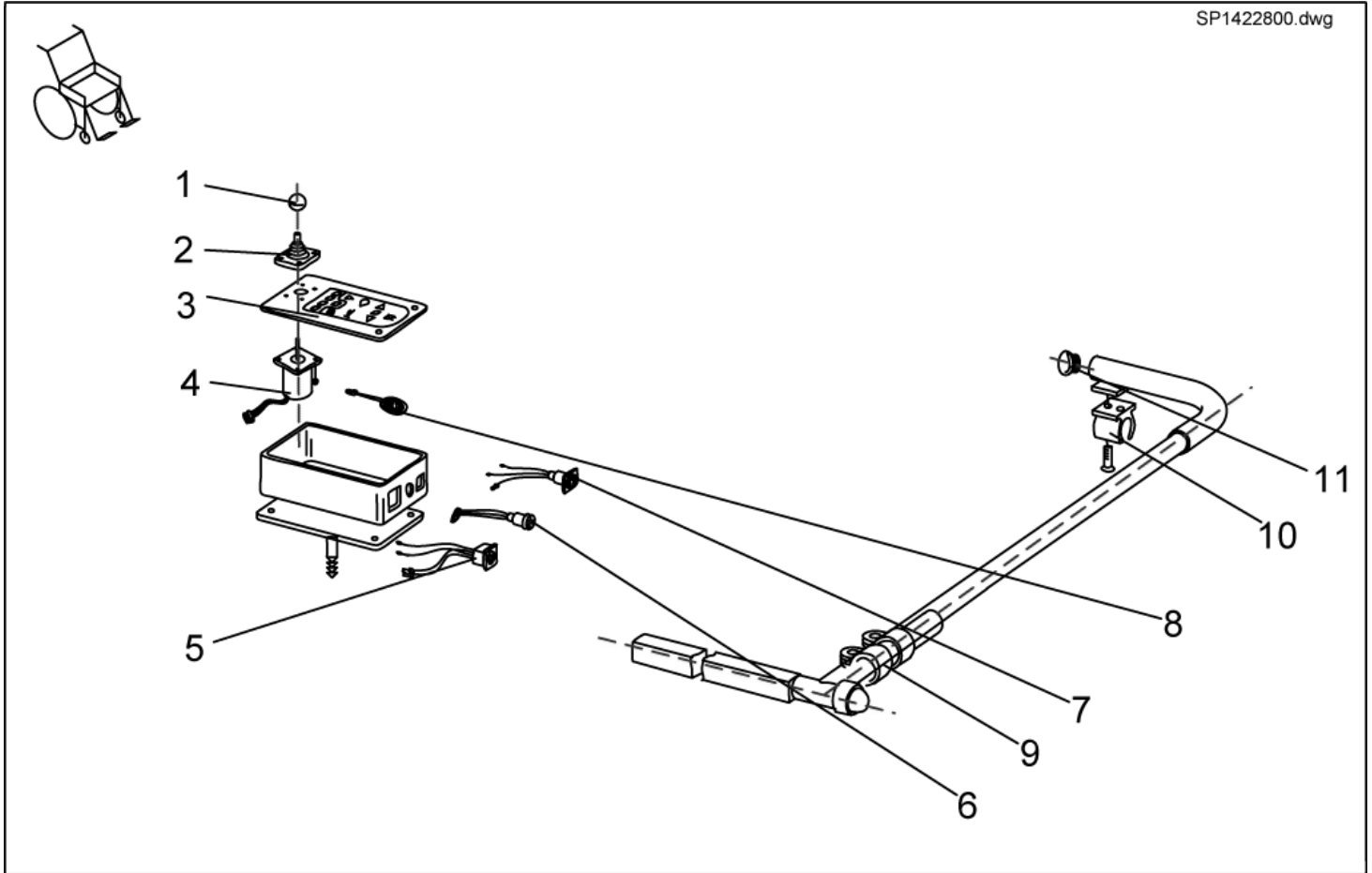
6001425.dwg



item	ordercode	description	quantity
1	P41105	BUS CABLE SOCKET	1
2	GME61927	FIXING CLAMP	1
3	P10304	JOYSTICK	1
4	Z183001A	RUBBER GAITER; BLACK	1

Central Steering

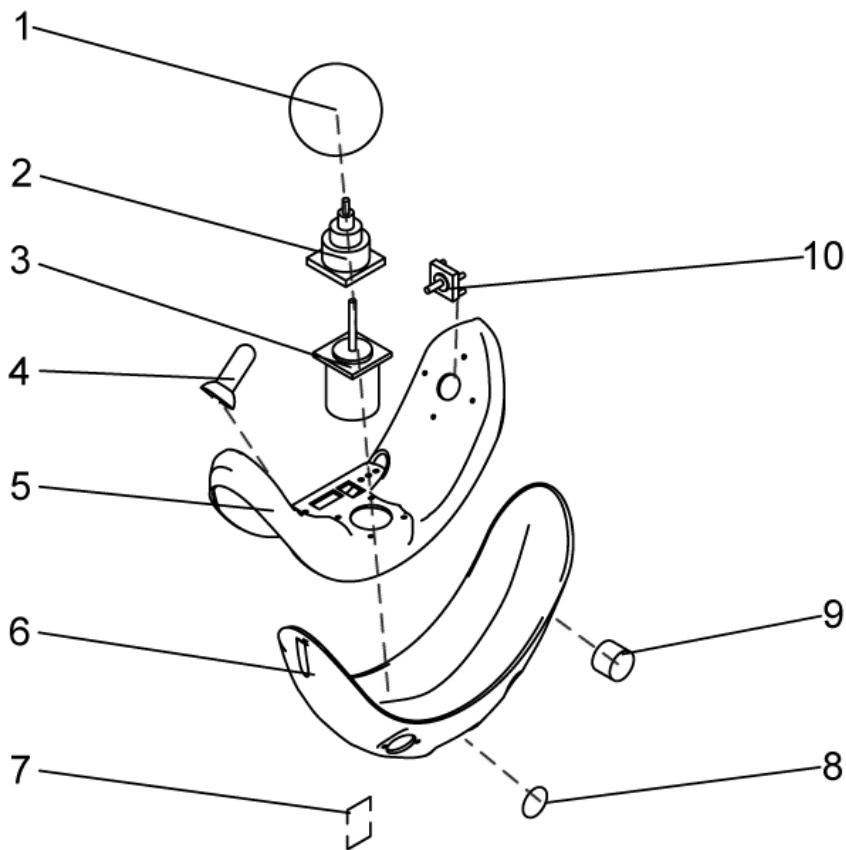
SP1422800.dwg



item	ordercode	description	quantity
1,2,3,4,5	P10066	ACS-TRAY CONTROL BOX	1
1	L36999	KNOB 32 MM, HOLE 5,8 MM	1
2	Z183001A	RUBBER GAITER; BLACK	1
3	P30907	FOIL KEYPAD	1
4	GSM55120	ACS-JOYSTICK F. TRAYCONTROL	1
5	P41108	ACS-BUS CABLE SOCKET	1
6	P41107	PROGRAMMER SOCKET	1
7	P41106	CHARGER SOCKET	1
8	P30493	HORN	1
9	5006720	CLAMP 22 MM	2
10	Z16001A	CLAMP	1
11	L01008	TUBE END PLUG SL 22	2

Chin Control Dash Board

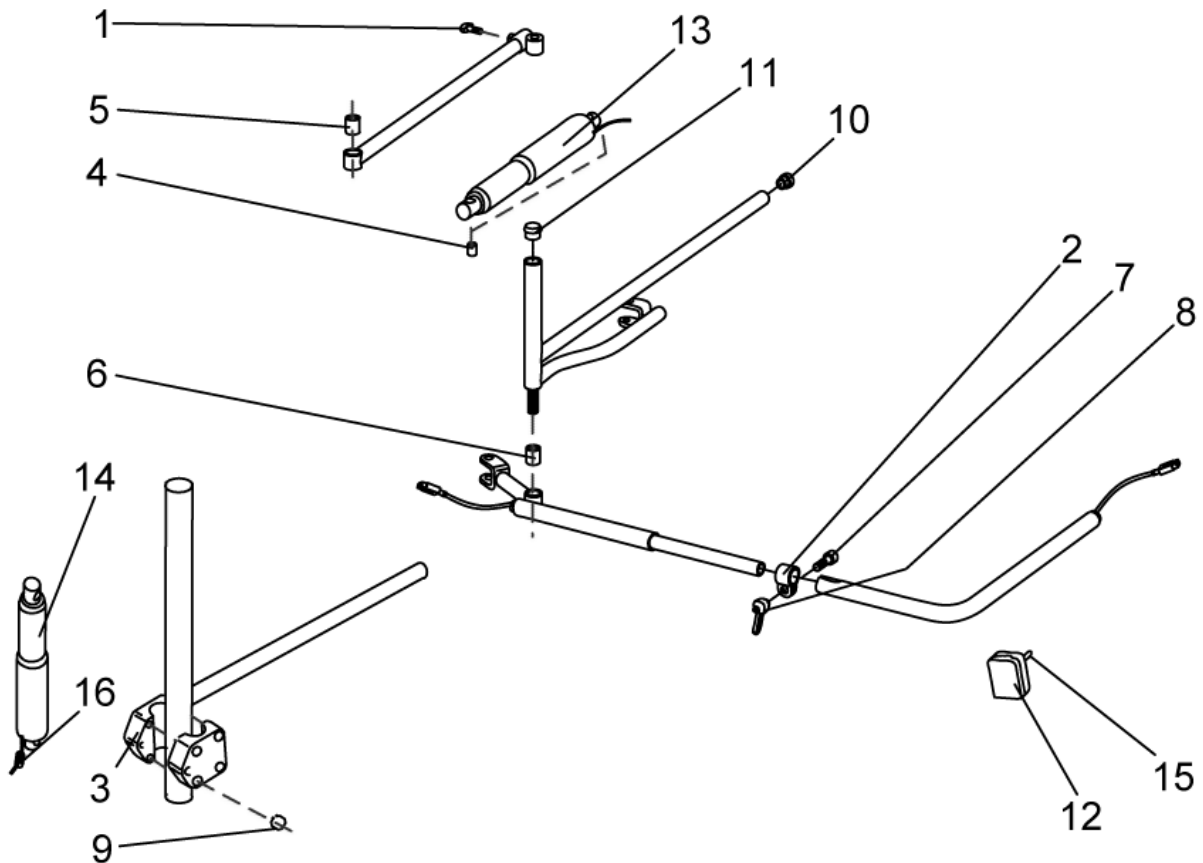
SP1422802.dwg



item	ordercode	description	quantity
1	Z183265	FOAM CONTROL KNOB CPL.	1
2	Z183001A	RUBBER GAITER; BLACK	1
3	P10304	JOYSTICK	1
4	Z183229	JOYSTICK KNOB CPL.	2
5	F383019	UPPER HOUSING; GREY	1
6	Z183242	LOWER HOUSING LH	1
6	Z183241	LOWER HOUSING RH	1
7	P41106	CHARGER SOCKET	1
8	T95099	O-RING 14-3 MM	1
9	P41104	PROGRAMMER SOCKET	1
9	P41108	ACS-BUS CABLE SOCKET	1
9	P41106	CHARGER SOCKET	1
10	Z183243	ACS-CHIN CONTROL JOYSTICK SWITCH LH	1
10	Z183244	ACS-CHIN CONTROL JOYSTICK SWITCH RH	1
-	P10475	STICKERSET (ACS CHIN CONTROL)	1
-	P09594	FERRITE SLEEVE C=6.4,D=2 TDK ZCAT 1325-0530A	1
-	P30499	HORN (DIGISOUND)	1
-	Z183048	HORN CLAMP	1
-	GME61927	FIXING CLAMP	2

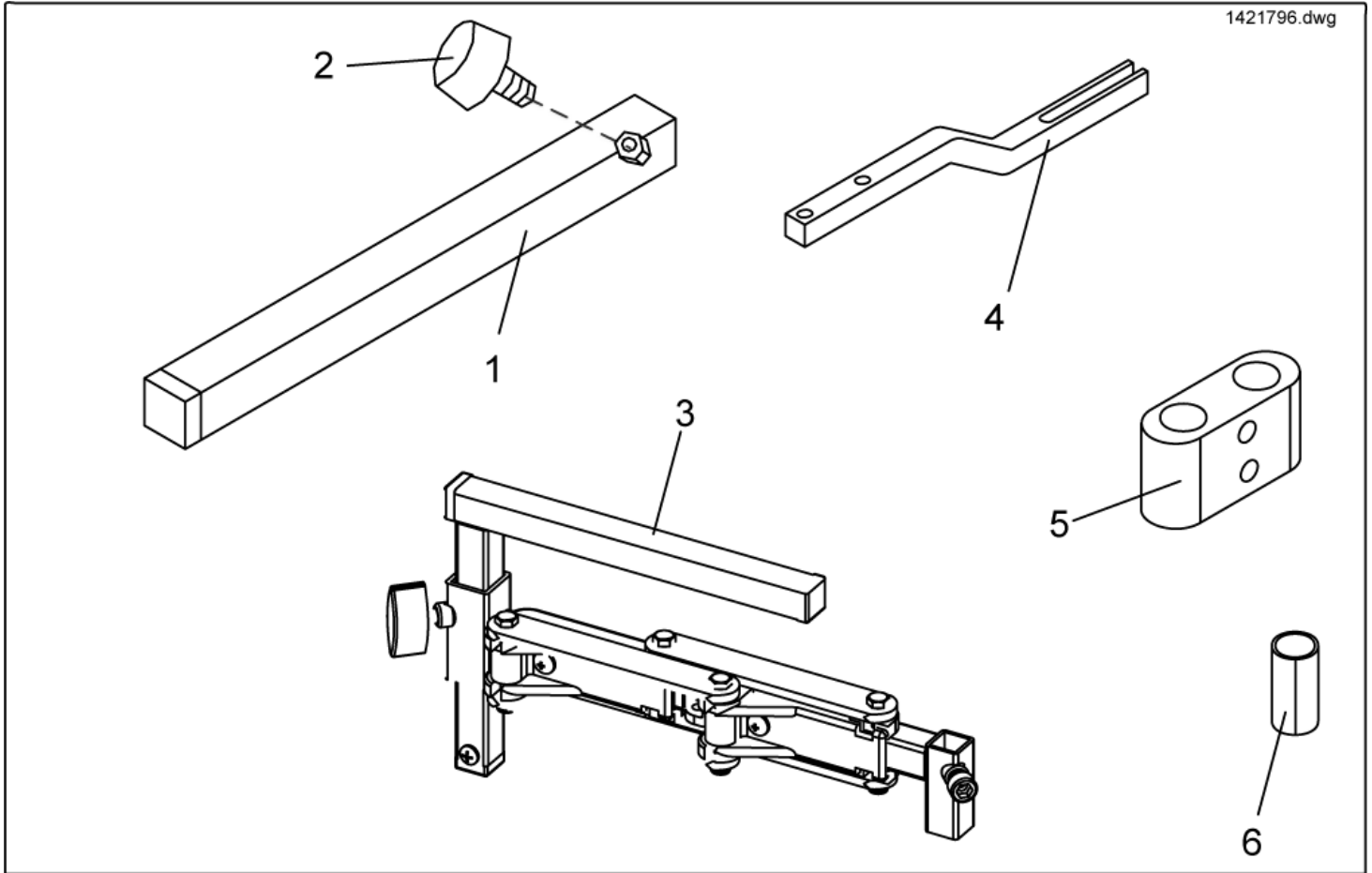
Chin Control Assembly Kit

F3_Kinn_Abschwenk.dwg



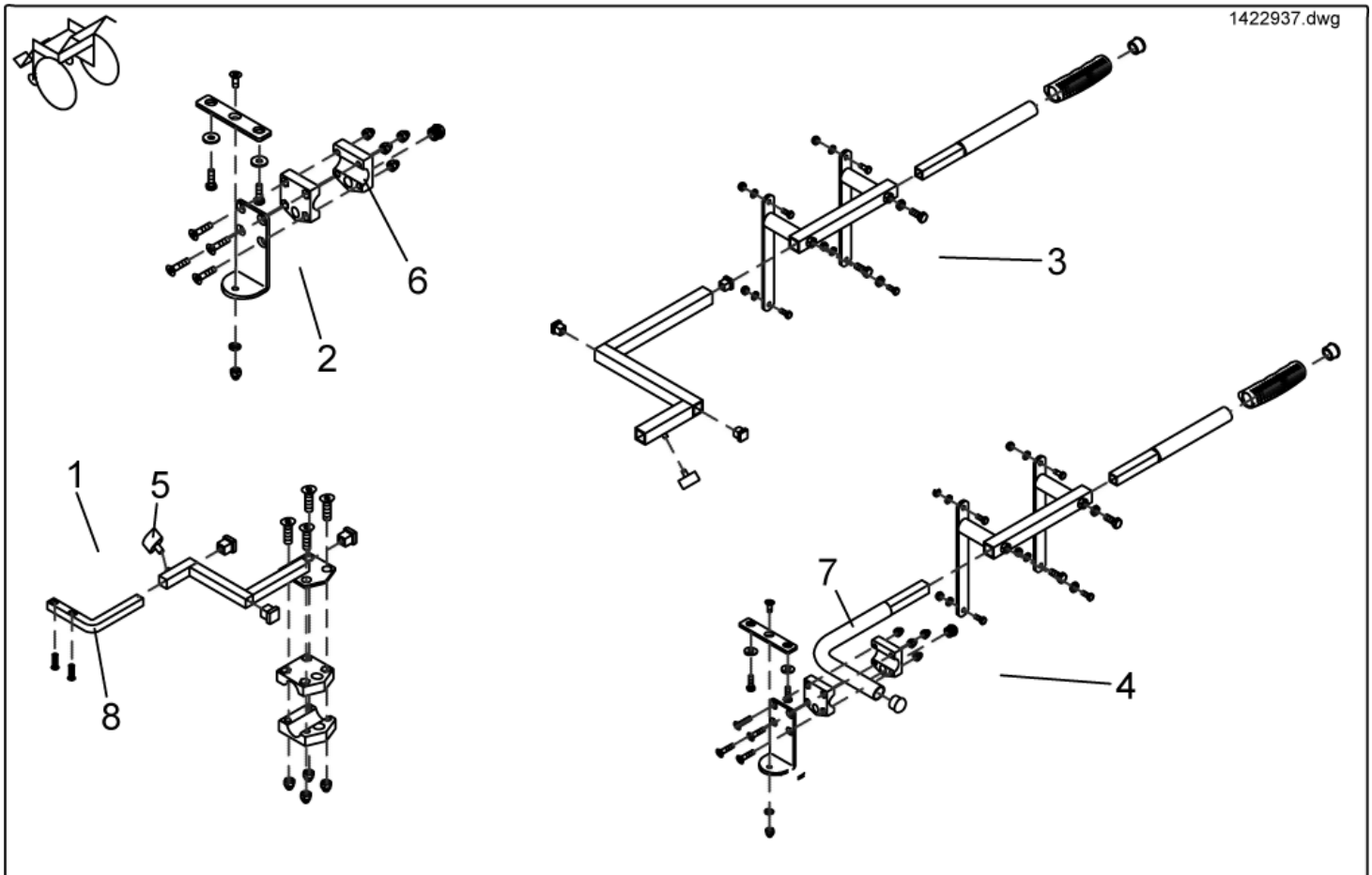
item	ordercode	description	quantity
1	L31001	HAND KNOB M6 X 10	1
2	5006720	CLAMP 22 MM	1
3	Z12009A	CLAMP	2
4	4000665-0002	SPACER BUSH 10X1X22,5	2
5	A17012A	BUSH RD. 18 X 22	1
6	Z131009A	BUSH RD. 18 X 3 X 22	1
7	E30101	CUP HEAD NIBBED BOLT M8 X 25	1
-	L01041	NUT CAP M8	2
-	L01037	NUT CAP M12	2
8	L32901	LEVER M8; BLACK	1
9	K22103	CAP A10	1
10	L01049	TUBE END PLUG SL 18	2
11	L01008	TUBE END PLUG SL 22	4
12	L90994	MULTIBOX SMALL	1
13	P00082	ACTUATOR LA 22.5E-75-24 INCL CABLE AND SWITCH	1
14	P00081	ACTUATOR LA 22.5E-100-24 WITH STOP-SWI	1
-	P12194	POLYSWITCH FUSE RXE 135	1
15	P30109	TOGGLE SWITCH SINGLE POLE	1
15	Z183011A	TOGGLE SWITCH EXTENSION; GREY	1
16	P09596	FERRITE SLEEVE C=8 D=1	1

Control Unit support - Standard/ swing away



item	ordercode	description	quantity
1	SPS183040	REMOTE HOLDER STANDARD	1
2	L31001	HAND KNOB M6 X 10	1
3	SP1421796	SWING-OUT ACS REMOTE HOLDER LH	1
3	SP1421795	SWING-OUT ACS REMOTE HOLDER RH	1
4	SP1440493	JOYSTICK BOX SUPPORT SWING-OUT REM 24SD AJ, WITH SCREWS	1
5	1440631	TUBE CLAMP DIA 22 MM; BLACK	1
6	Z183264.99	BUSH RD. 22 X 1,5 X 40	4
-		MORE CONTROLL UNIT SUPPORTS »»» SEE "CONTROL UNIT SUPPORT TABULAR"	1

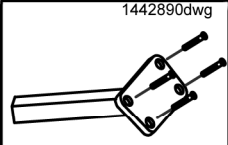
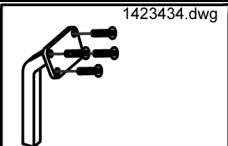
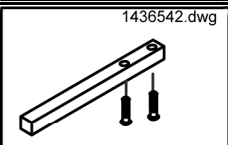
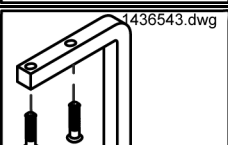
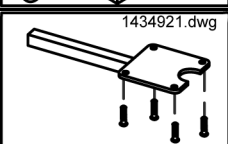
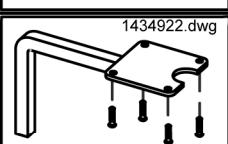
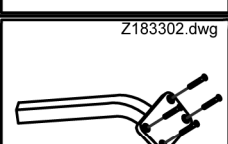
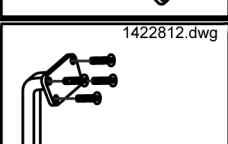
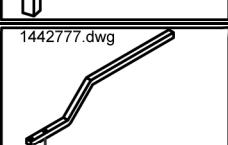
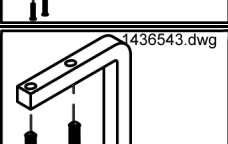
Control Unit support - For Attendant Conroll



item	ordercode	description	quantity
1	SP1422937	ASSEMBLY KIT F. STD. CARER SEAT CONTROL LH .	1
1	SP1422936	ASSEMBLY KIT RH F. STD. CARER SEAT CONTROL	1
2	SP1422818	ASSEMBLY KIT F. SWITCHABLE CARER CONTROL CPL.	1
3	SP1422814	ASSEMBLY KIT F. SWITCHABLE CARER CONTROL CPL., RECARO LH	1
3	SP1422813	ASSEMBLY KIT F. SWITCHABLE CARER CONTROL CPL., RECARO RH	1
4	SP1422819	ASSEMBLY KIT F. SWITCHABLE CARER RECARO CONTROL	1
5	L31001	HAND KNOB M6 X 10	1
6	Z12008A.P40	GRIPPING CLIP W. HEXAGON HOLE	2
7	F383065-9005	HOLDER FOR CARER RECARO CONTROL; RAL 9005, DEEP BLACK	1
8	SP1440289	ATTENDANT JOYSTICK BOX SUPPORT REM 24SD WITH SCREWS, LEFT	1
8	SP1440288	ATTENDANT JOYSTICK BOX SUPPORT REM 24SD WITH SCREWS, RIGHT	1
-		MORE CONTROLL UNIT SUPPORTS »»» SEE "CONTROL UNIT SUPPORT TABULAR"	1

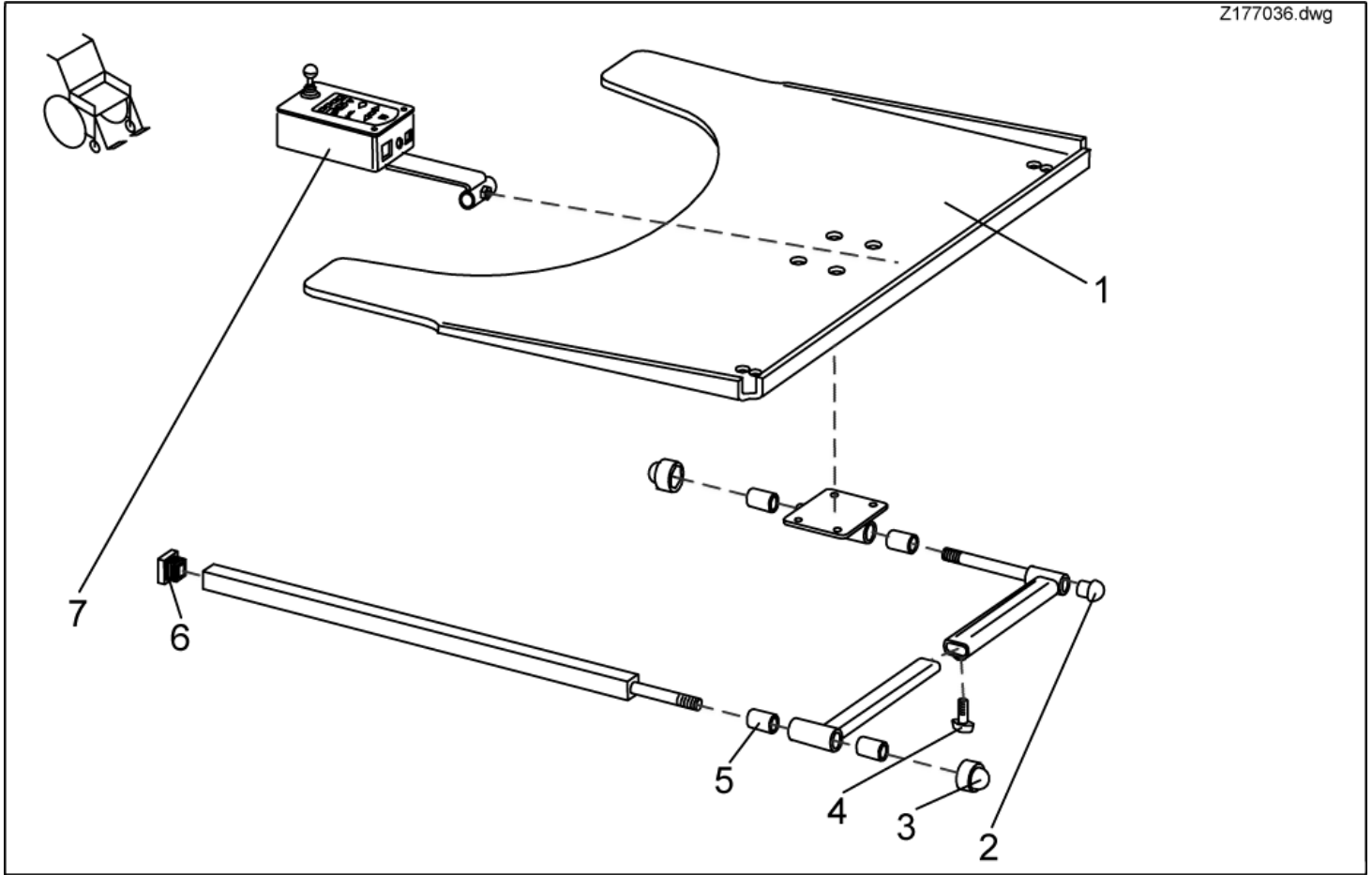
Control Unit support - Control Unit support tabular

- ✓ **Information:** REM 24SD AND REM 24SC REMOTE HOLDERS ARE NOT IDENTICAL. IF NOT AVAILABLE PLEASE ALSO ORDER NEW REMOTE HOLDER.

Picture	joystick box	Standard	swing out	ordercode	valid MM/YYYY
	REM 24 SC	X		1442890	->02/2004
	REM 24 SC		X	SP1423434	->02/2004
	REM 24 SD	X		SP1436542	03/2004->
	REM 24 SD		X	SP1436543	03/2004->
	REM 34	X		SP1434921	
	REM 34		X	SP1434922	
	G80i	X		SPZ183302	
	G80i		X	SP1422812	
	Shark	X		1442777	01/2005->
	Shark		X	SP1436543	01/2005->

Desk/ Tray control

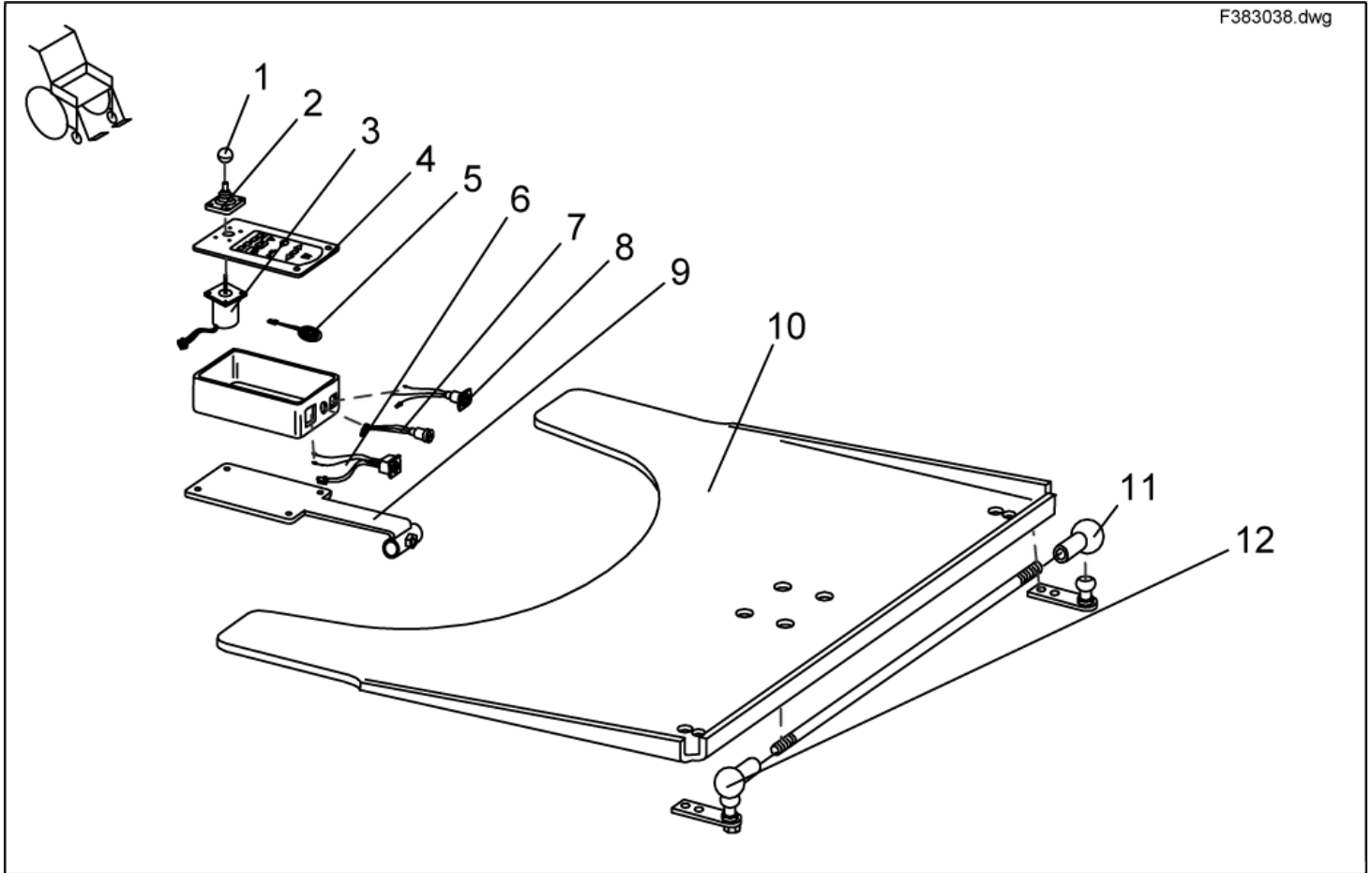
Z177036.dwg



item	ordercode	description	quantity
1,2,3,4,5,6	SP1422952	SWING-OUT TRAY F. CONTROL LH CPL.	1
1,2,3,4,5,6	SP1422953	SWING-OUT TRAY F. CONTROL RH CPL.	1
2,3,4,5,6	SPZ177011	TRAY SUPPORT FIXING KIT CPL.	1
1	Z177017	TRAY-LH CONTROL; TRANSPARENT	1
1	Z177016	TRAY-RH CONTROL; TRANSPARENT	1
2	L01008	TUBE END PLUG SL 22	1
3	L01037	NUT CAP M12	2
4	L31001	HAND KNOB M6 X 10	1
5	Z17032A	BUSH RD. 19 X 3.5 X 25	4
6	L01055	TUBE END PLUG E 15 X 15	2
7	SP1422798	TRAY CONTROL CPL.	1

Tray Control

F383038.dwg



item	ordercode	description	quantity
-	P10066	ACS-TRAY CONTROL BOX	1
1	L36999	KNOB 32 MM, HOLE 5,8 MM	1
2	Z183001A	RUBBER GAITER; BLACK	1
3	GSM55120	ACS-JOYSTICK F. TRAYCONTROL	1
4	P30907	FOIL KEYPAD	1
5	P30493	HORN	1
6	P41108	ACS-BUS CABLE SOCKET	1
7	P41107	PROGRAMMER SOCKET	1
8	P41106	CHARGER SOCKET	1
9	L60999	FOOT M4 X 13	2
10	Z17024A	TRAY 660 X 540 X 8; TRANSPARENT	1
11	N04109	SWIVEL JOINT AS 13-M8 RH	2
12	SP4100136	SUPPORT ROD ; CPL..	1