

Dataplate



- ✓ You are often only able to find the suitable spare part by using the details on the type plate. The type plate is to be found directly on the chassis.

Please quote the serial number, model and year for every order. This helps to prevent misunderstandings.

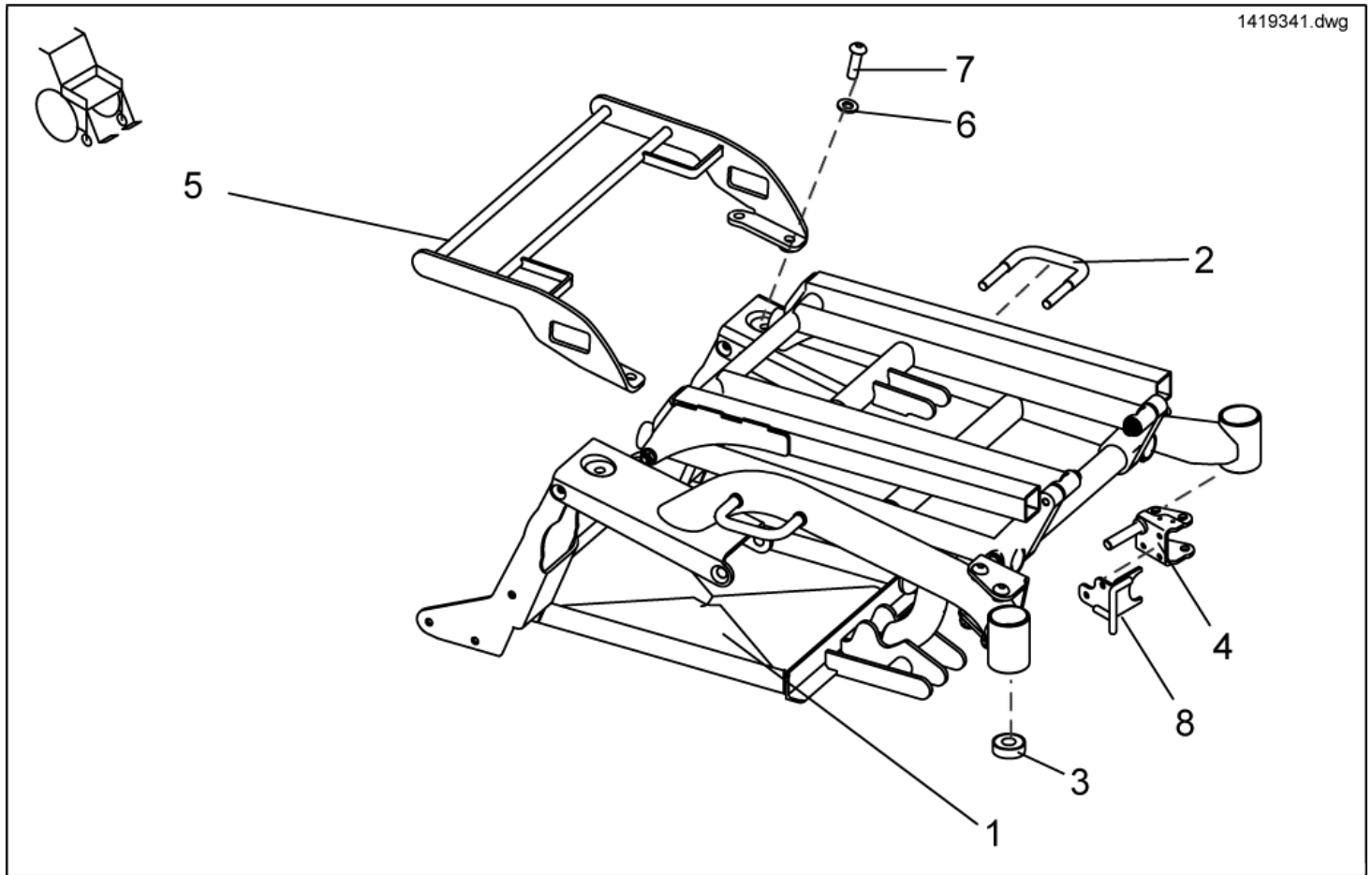
Typenschild.dwg

INVACARE Deutschland GmbH Kleiststrasse 49 D-32457 Porta-Westfalica - GERMANY			12/07/2000
Model :	Max Speed:	EAN 12345678910111212	
REF :	Max Incline:		
Agreement No:	Front Whl Load:	Mid Whl Load:	Rear Whl Load:
SN 	Total Wt:	Unladen Wt:	Max User Wt:

item	description
1	MODEL DESIGNATION
2	SERIAL NUMBER
3	PRODUCTION DATE

Chassis

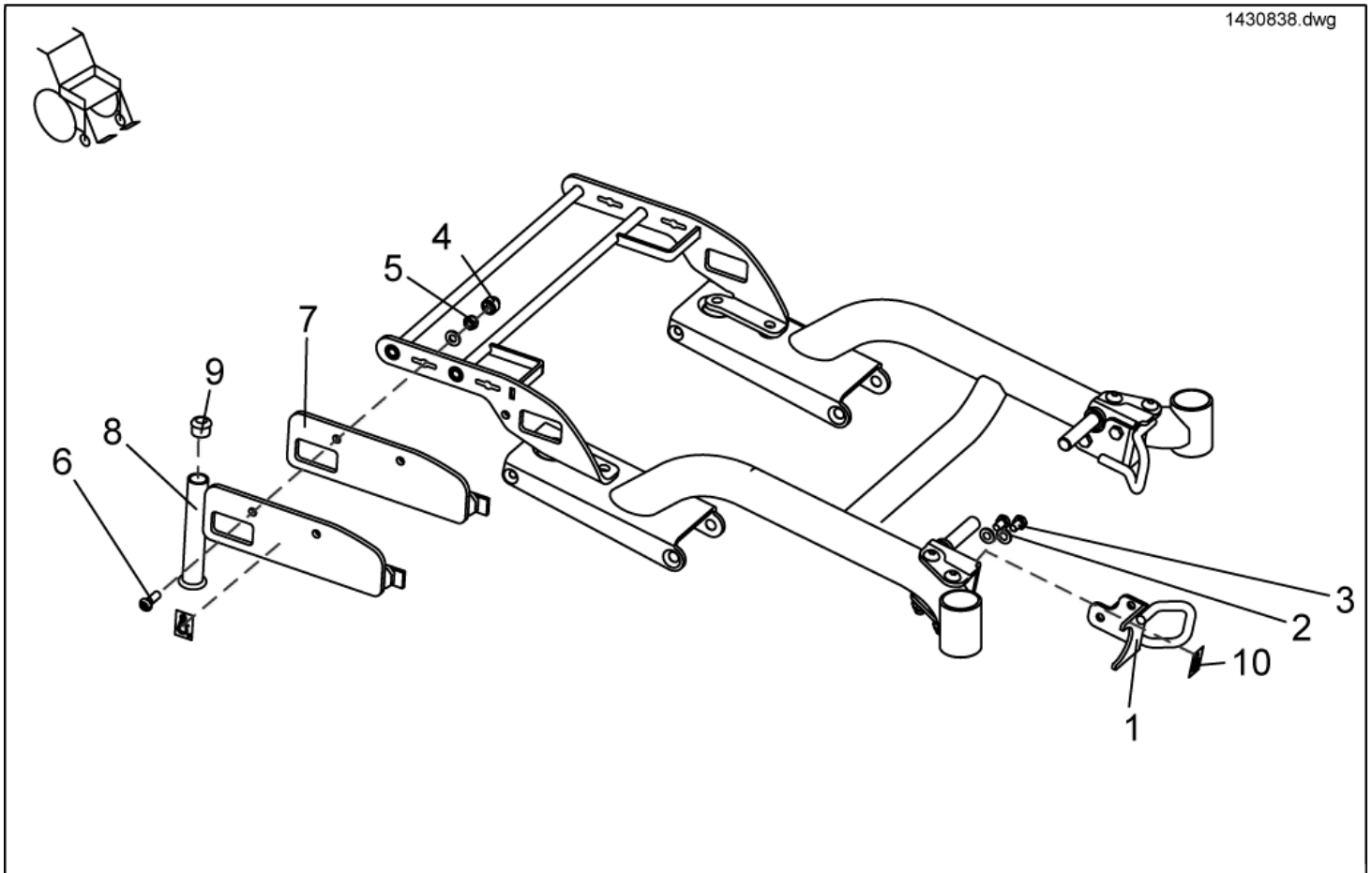
- ✓ **Note:** Special light racks are also required if the carrier is fitted to a vehicle without a carrier. Please also order the matching light racks (»»» see chapter on "Rear Lights").



item	ordercode	description	quantity
-	SP1419341	CHASSIS W. LIFTER A. BATTERY BOX, CPL., GREEN	1
-	SP1417949-1107060	PREASSEMBLED CHASSIS, GREEN	1
-	SP1421681	CHASSIS W. LIFTER A. BATTERY BOX, CPL., SILVER	1
-	SP1417949-9006	PREASSEMBLED CHASSIS, SILVER	1
-	SP1428066	CHASSIS W. LIFTER A. BATTERY BOX, CPL., BLUE	1
-	SP1417949-5002	PREASSEMBLED CHASSIS, BLUE	1
-	1418527	PREASSEMBLED LIFTER UNIT	1
-	SP1430338	CHASSIS w. LIFTER & BATTERY CASE BLUE CPL.	1
-	SP1430339	CHASSIS w. LIFTER & BATTERY CASE SILVER CPL.	1
-	SP1430340	CHASSIS w. LIFTER & BATTERY CASE GREEN CPL.	1
-	SP1430125	CHASSIS "EURO" CPL.	1
1	1417955-9005	PREASSEMBLED BATTERY FRAME	1
2	1421650-9005	SIDE FIXATION	2
3	1419254	ANGULAR BALL BEARING 7202B 2RS	4
4	1418547-9005	BEARING PLATE LH	1
4	1418544-9005	BEARING PLATE RH	1
5	SP1421022	LUGGAGE CARRIER CPL.	1
6,7	1440694	FIXING KIT LUGGAGE CARRIER CPL.	1
6	NA	WASHER DIN 125 10,5x2	4
7	NA	BOLT M10 X 35 DIN 7380	4
8	NA	»»» see "CRASH KIT"	1

Crash Kit

- ⚠ **CAUTION: Danger of injury if the wheelchair is not secured properly in the vehicle!**
In order to secure the empty wheelchair in the vehicle, please use the 4-Point-Tie-Down system. Please observe the chapter in the operating instructions on "Transport" for safe handling using the Standard transport system.
- ⚠ **CAUTION: Danger of injury if the wheelchair is not secured properly in the vehicle and if the user is not secured properly in the wheelchair.**
If a person is to be transported whilst sitting in the wheelchair you will require the 4-POINT-FIXATION (according to ISO 7176-19:2001) as well as a retaining belt (»»» see chapter on "retaining belts") and a headrest (»»» see chapter on "headrests"). The 4-POINT-FIXATION (according to ISO 7176-19:2001) has passed the test according to ISO 7176-19:2001 in connection with an anchoring system according to ISO 10542, retaining belt and headrest. It can, therefore, only be used in this configuration if the person remains seated in the wheelchair during transport. Please observe the chapter in the operating instructions on "transport" for safe handling using the 4-POINT-FIXATION (according to ISO 7176-19:2001).
- ✓ **Information:** CRASH KIT ONLY FITS LUGGAGE CARRIER SP1421022! ORDER IF NOT SUPPLIED!
- ✓ **Note:** Special light racks are also required if the carrier is fitted to a vehicle without a carrier. Please also order the matching light racks (»»» see chapter on "Rear Lights").

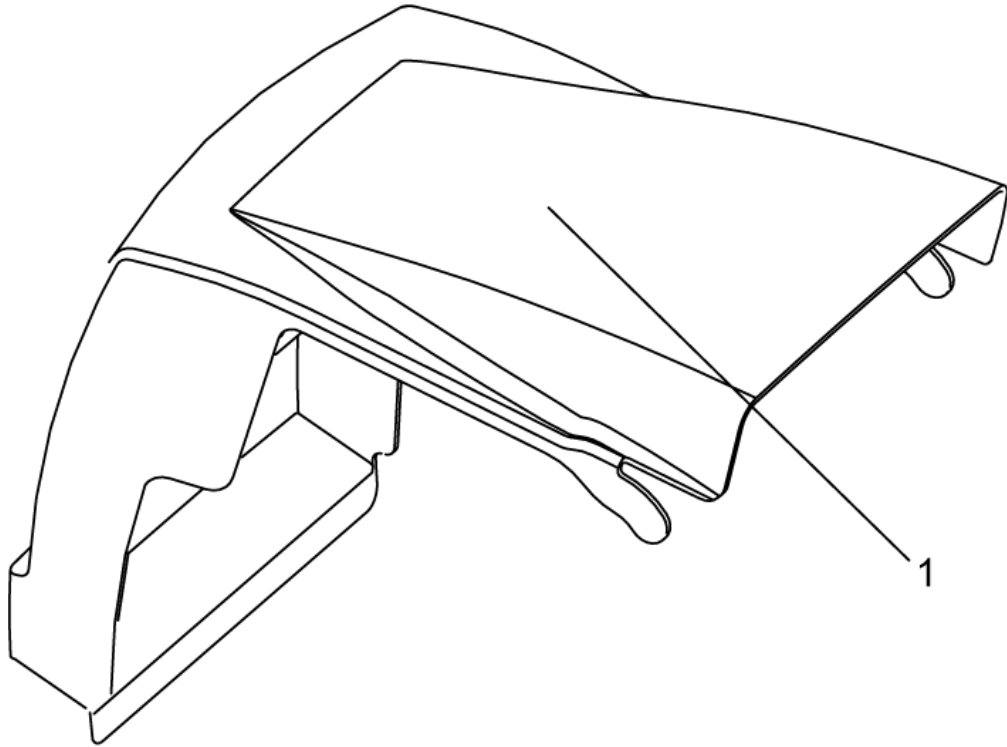


item	ordercode	description	quantity
1-7	1442928	4-POINT-TIE-DOWN, COMPLETE	1
1-6, 8-9	1442929	4-POINT-TIE-DOWN, FOR HOLLAND COMPLETE	1
1-7, 10	SP1430389	CRASH KIT ACCORDING TO ISO 7176-19	1
1-6, 8-10	SP1430391	CRASH KIT/TAXI STRAP FOR NL	1
1	1422049-9005	FRONT FIXATION LH	1
1	1422050-9005	FRONT FIXATION RH	1

item	ordercode	description	quantity
2+3	1444666	Mounting kit front fixation/ front fixation with kerb climber	1
2	NA	WASHER 8,4 X 17 X 1,6	8
3	NA	HEX HEAD SCREW M8 X 12	4
4	L01041	NUT CAP M8	4
5	NA	NYLOC NUT M8	4
6	NA	SCREW M8 X 25	4
7	1430389-9005	FIXING PLATE FOR ISO CRASH KIT LH	1
7	1430388-9005	FIXING PLATE FOR ISO CRASH KIT RH	1
8	1430391-9005	FIXING PLATE FOR HOLLAND CRASH KIT LH	1
8	1430392-9005	FIXING PLATE FOR HOLLAND CRASH KIT RH	1
9	L01008	TUBE END PLUG SL 22	2
10	NA	ISO 7176-19 STICKER RAL 1026	4

Shrouds

1428069.dwg



item	ordercode	description	quantity
1	SP1421845	BATTERY COVER GREEN CPL.	1
1	SP1421846	BATTERY COVER SILVER CPL.	1
1	SP1428069	BATTERY COVER BLUE CPL.	1