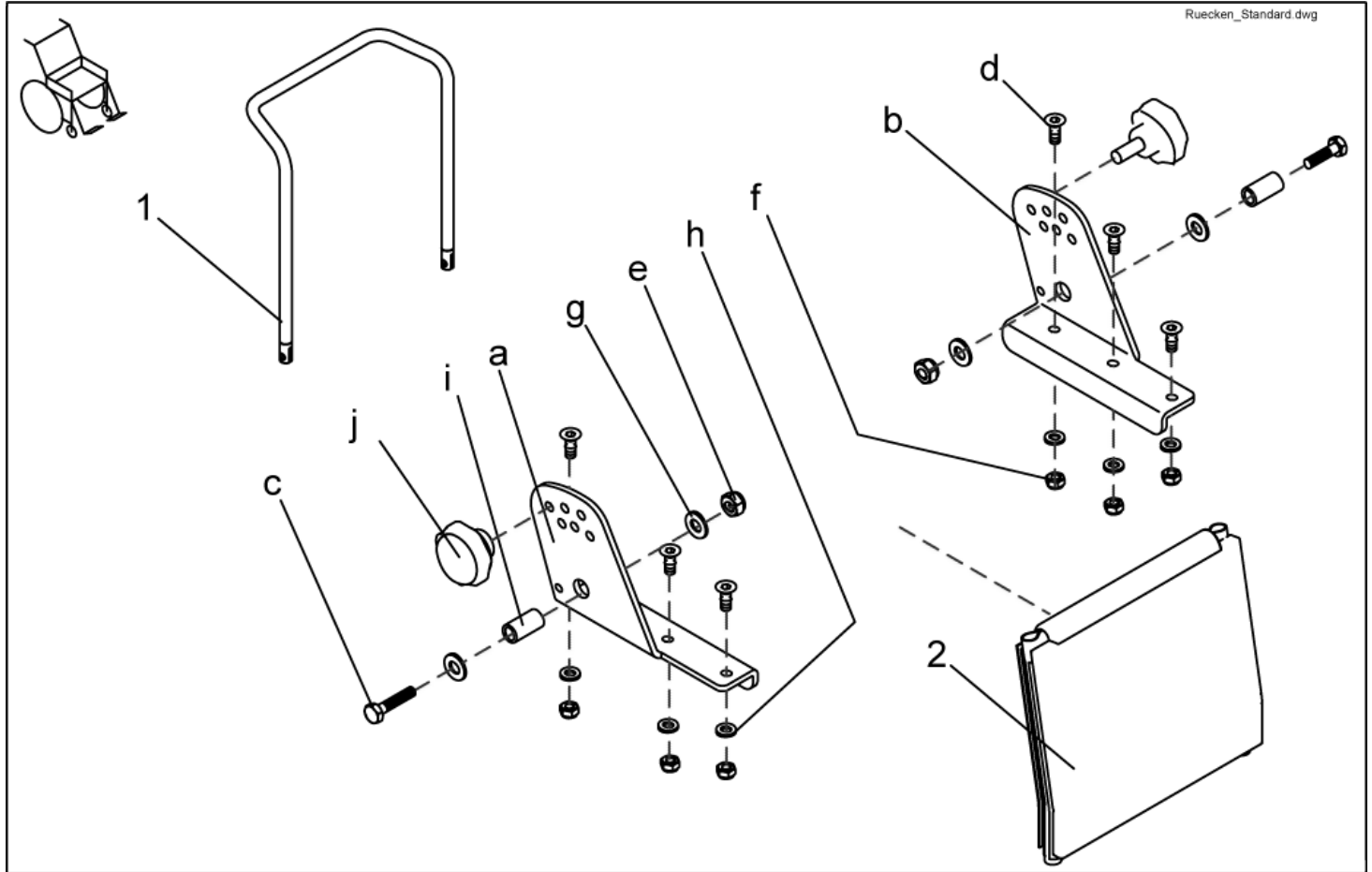


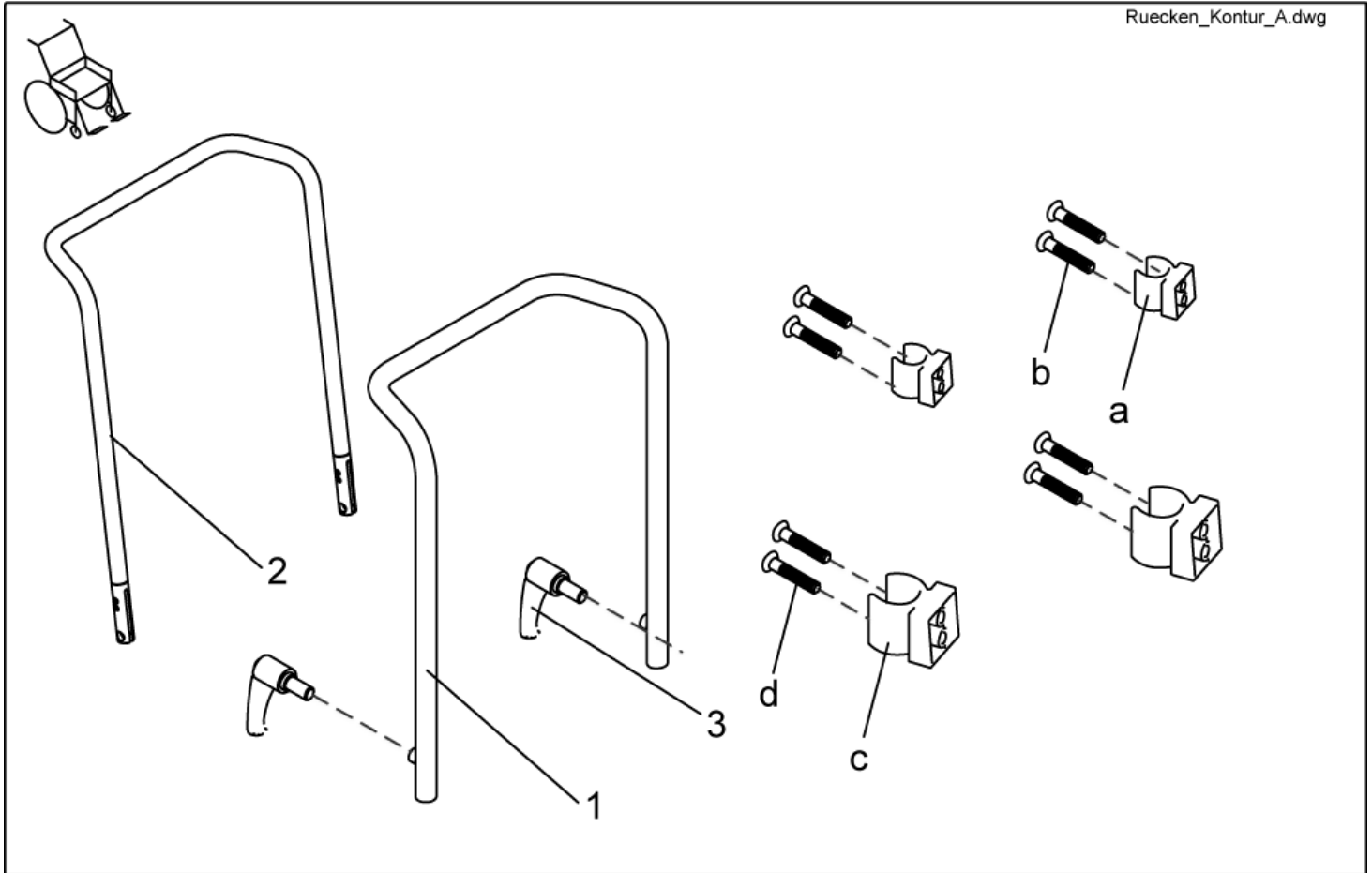
## Back Unit - Backrest frame Standard



| item               | ordercode    | description                           | quantity |
|--------------------|--------------|---------------------------------------|----------|
| 1                  | 1419996-9005 | BACK TUBE 480 MM                      | 1        |
| 1                  | 1420465-9005 | BACK TUBE 540 MM                      | 1        |
| 2                  | 1422062      | BACK STRAP 480 MM                     | 1        |
| 2                  | 1422063      | BACK STRAP 540 MM                     | 1        |
| a,b,c,d,e,fg,h,i,j | SP1423208    | STD. BACKREST ASSEMBLY KIT CPL.       | 1        |
| a                  | NA           | BACKREST ADJUSTMENT RH                | 1        |
| b                  | NA           | BACKREST ADJUSTMENT LH                | 1        |
| c                  | NA           | HEX HEAD SCREW M8 X 35                | 2        |
| d                  | NA           | COUNTERSUNK SOCKET HEAD SCREW M6 X 16 | 6        |
| e                  | NA           | NYLOC NUT M8                          | 2        |
| f                  | NA           | DOMED NYLOC NUT M6, SELF-LOCKING      | 6        |
| g                  | NA           | WASHER 8,4 X 17 X 1,6                 | 4        |
| h                  | NA           | WASHER 6,4 X 12,5 X 1,6               | 6        |
| i                  | NA           | BUSH RD. 12 X 1.8 X 23                | 2        |
| j                  | SP1420444    | STAR GRIP M8 CPL.                     | 2        |

## Back Unit - Backrest frame CONTOUR

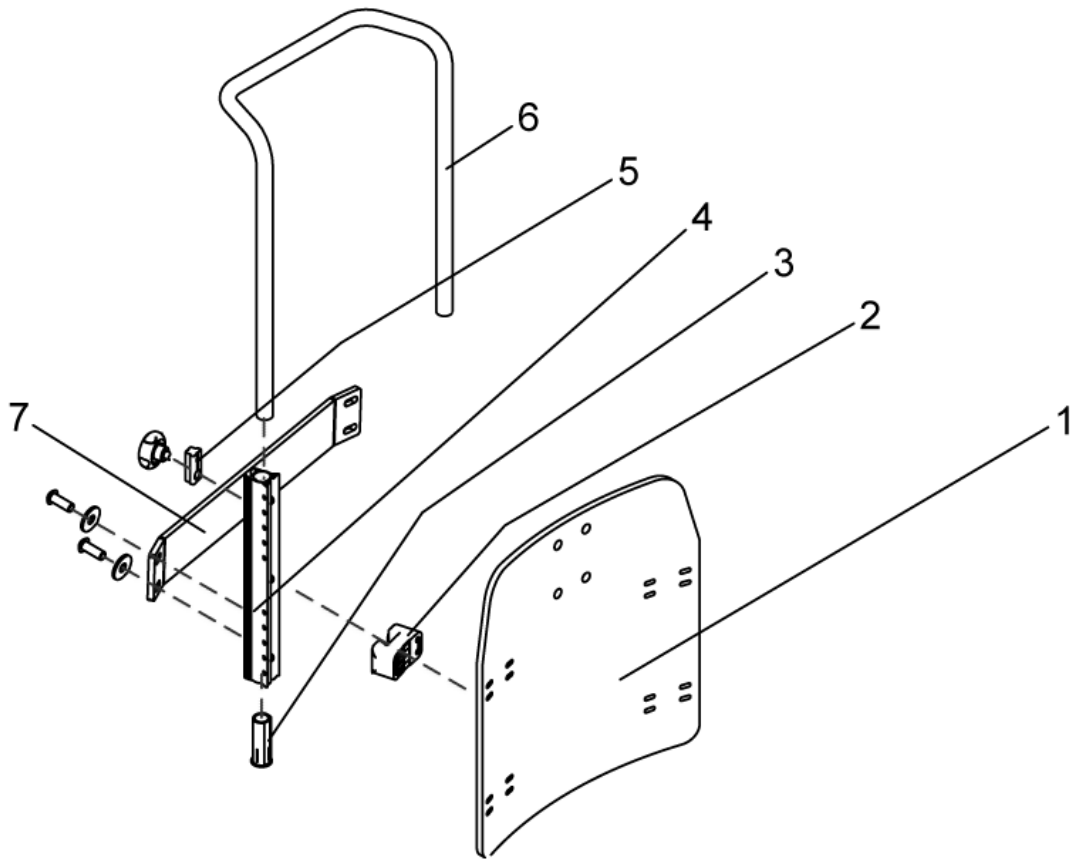
Ruecken\_Kontur\_A.dwg



| item    | ordercode    | description                             | quantity |
|---------|--------------|---|----------|
| 1       | 1420478-9005 | BACK TUBE CONTOUR                       | 1        |
| 2       | 1434878-9005 | BACKTUBE CONTOUR FOR STORM³ EURO        | 1        |
| 3       | L31996       | LEVER M10 X 20                          | 2        |
| a,b,c,d | SP1423216    | PADDED BACKREST UPHOLSTERY ASSEMBLY KIT | 1        |
| a       | NA           | CLAMP SHORT                             | 2        |
| b       | NA           | SCREW 5 X 30                            | 4        |
| c       | NA           | CLAMP LONG                              | 2        |
| d       | NA           | SCREW 5 X 45, DIN 7505                  | 4        |

## Back Unit - Backrest frame FLEX

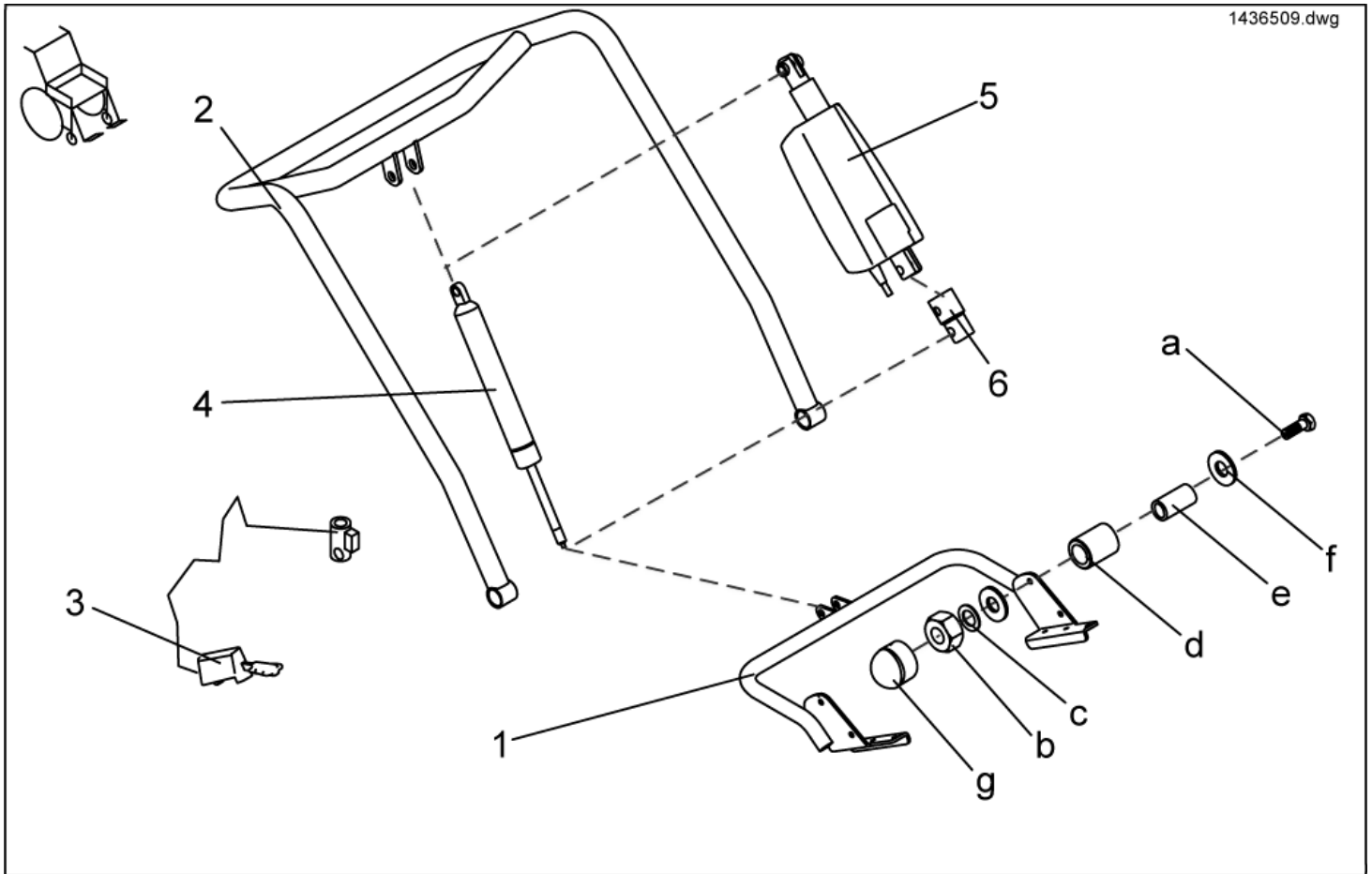
Ruecken\_Flex.dwg



| item | ordercode    | description  | quantity |
|------|--------------|--|----------|
| -    | SP1422126    | BACKREST FLEX SB 39 WITHOUT UPHOLSTERY CPL.              | 1        |
| -    | SP1422124    | BACKREST FLEX SB 43 WITHOUT UPHOLSTERY CPL.              | 1        |
| -    | SP1422125    | BACKREST FLEX SB 48 WITHOUT UPHOLSTERY CPL.              | 1        |
| 1    | SP1423217    | BACK PLATE SB 39 CPL.                                    | 1        |
| 1    | SP1423218    | BACK PLATE SB 43 CPL.                                    | 1        |
| 1    | SP1423219    | BACK PLATE SB 48 CPL.                                    | 1        |
| 2    | SP1422117    | SPACER BLOCK, 4 PIECES                                   | 1        |
| 3    | SP1423220    | GUIDE BUSH CPL. (PAIR)                                   | 1        |
| 4    | 5252204      | BACKREST BAR   | 2        |
| 5    | 5253088      | FIXING BLOCK   | 4        |
| 6    | 1425840-9005 | PUSH HANDLE SB 39  | 1        |
| 6    | 1425839-9005 | PUSH HANDLE SB 44/48                                     | 1        |
| 7    | SP1488810    | STABILIZATION SHEET METAL COMPLETELY; SEAT WIDTH 43/48CM | 1        |
| 7    | SP1488804    | STABILIZATION SHEET METAL COMPLETELY; SEAT WIDTH 39CM    | 1        |

## Back Unit - Backrest adjustment STANDARD

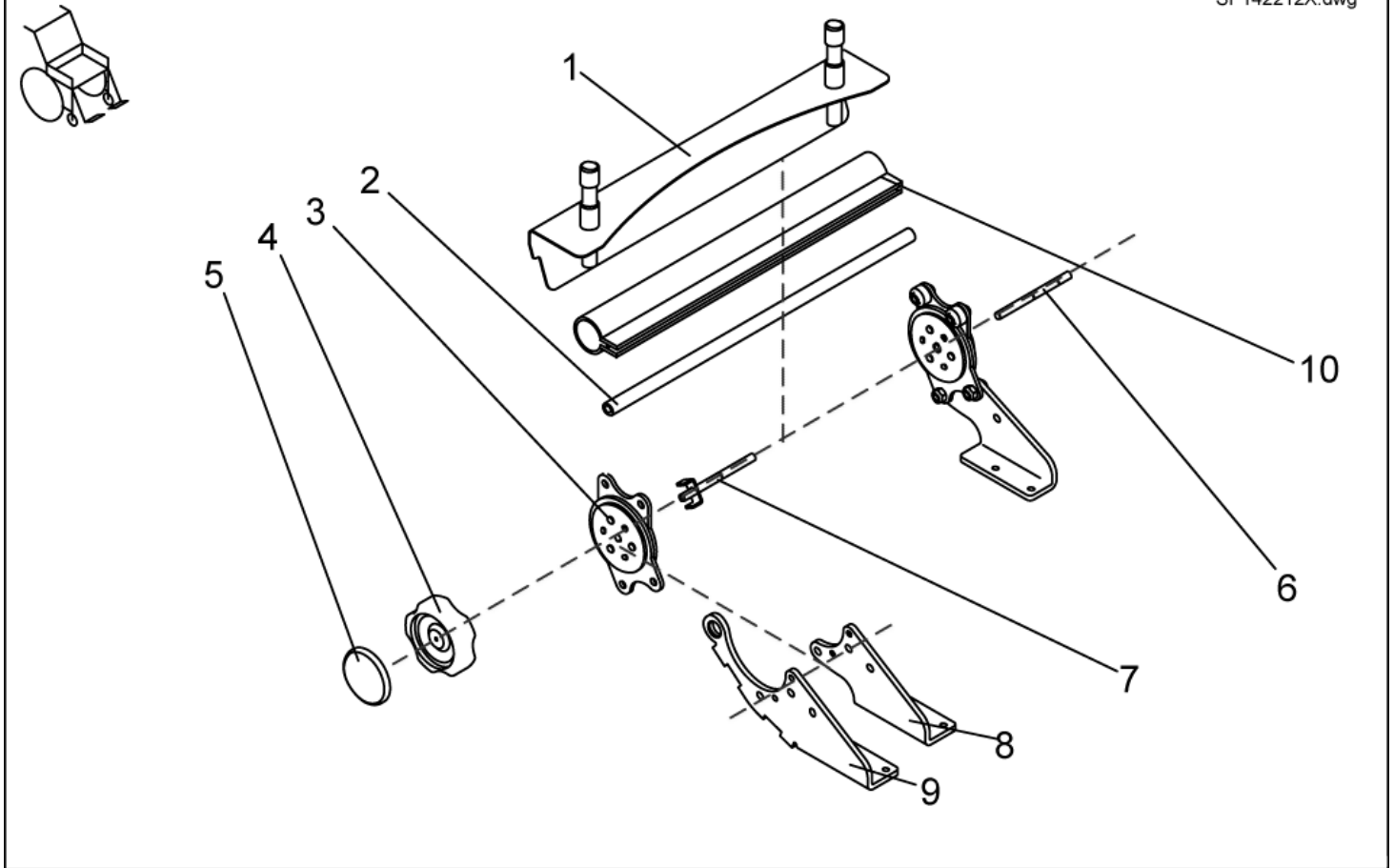
1436509.dwg



| item          | ordercode    | description  | quantity |
|---------------|--------------|--|----------|
| -             | SP1436509    | BACKREST ADJUSTMENT PNEUMATIC FOR STANDARD SEAT COMPLETE                             | 1        |
| -             | SP1436507    | BACKREST ADJUSTMENT ELECTRICAL FOR STANDARD SEAT COMPLETE                            | 1        |
| -             | SP1444991    | BACK ADJUSTMENT STANDARD, BACK HEIGHT 54CM, PNEUMATICALLY, COMPLETELY WITH BACK BELT | 1        |
| -             | SP1443270    | BACK ADJUSTMENT STANDARD, BACK HEIGHT 54CM, ELECTRICALLY, COMPLETELY WITH BACK BELT  | 1        |
| 1             | 1440394-9005 | LOWER RECEIVING BRACKET  | 1        |
| 2             | 1440395-9005 | BACKTUBE   | 1        |
| 3             | N368003      | RELEASE LEVER "STABILUS"   | 1        |
| 4             | N368007      | BACK ADJUSTER PNEUMATIC CPL.   | 1        |
| 5             | 1418016      | BACK ADJUSTER ELECTRIC CPL.  | 1        |
| 6             | N368001.89   | EXTENSION PART FOR ACTUATOR  | 1        |
| a,b,c,d,e,f,g | F367005      | FIXING KIT FOR SEAT MOUNTING   | 1        |
| a             | NA           | AXLE BOLT M8 X 45  | 2        |
| b             | NA           | NYLOC NUT M8   | 2        |
| c             | NA           | WASHER 8,4 X 17 X 1,6  | 2        |
| d             | NA           | BUSH RD. 18 X 3 X 22   | 4        |
| e             | NA           | BUSH RD. 12 X 1.8 X 23   | 2        |
| f             | NA           | WASHER 8,4 X 25 X 2 DIN 9021   | 2        |
| g             | NA           | NUT CAP M8   | 2        |

## Back Unit - Backrest adjustment FLEX/CONTUR man.

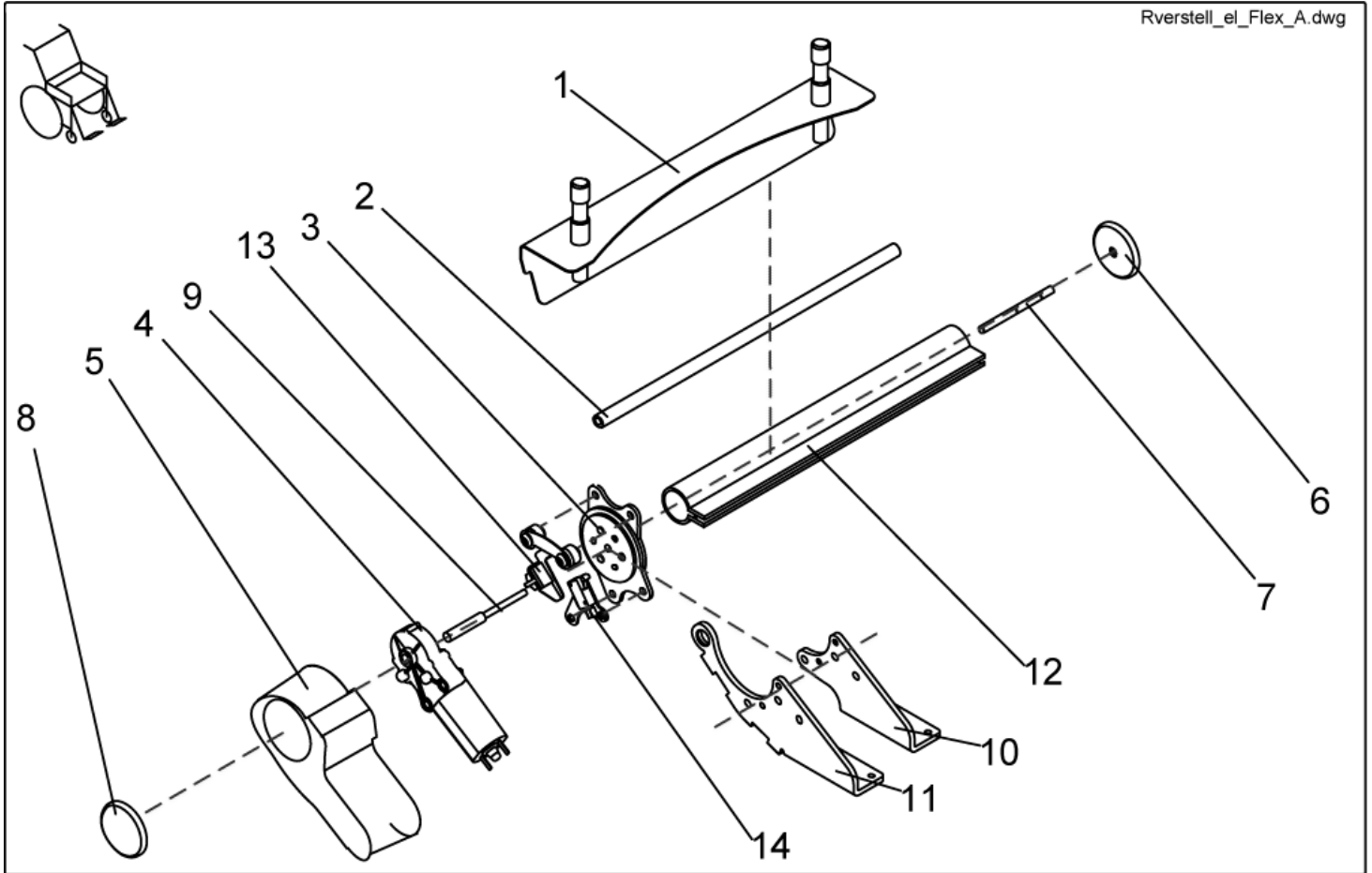
SP142212X.dwg



| item | ordercode    | description   | quantity |
|------|--------------|---|----------|
| -    | SP1422122    | MANUAL BACKREST ADJUSTMENT F. FLEX SB 39 CPL.                     | 1        |
| -    | SP1422066    | MANUAL BACKREST ADJUSTMENT SB 43 CPL.                             | 1        |
| -    | SP1422067    | MANUAL BACKREST ADJUSTMENT SB 48 CPL.                             | 1        |
| -    | SP1425857    | Manual BACK ADJUSTER, SEAT WIDTH 39CM, FOR SLIDING ARMRESTS, cpl. | 1        |
| -    | 1442942      | Manual BACK ADJUSTER, SEAT WIDTH 43cm, FOR SLIDING ARMRESTS, cpl. | 1        |
| -    | SP1425854    | Manual BACK ADJUSTER, SEAT WIDTH 48cm, FOR SLIDING ARMRESTS, cpl. | 1        |
| -    | SP1423210    | BACKREST ADJUSTMENT ASSEMBLY KIT, CPL.                            | 1        |
| 1    | 1422119-9005 | BACKREST RECEPTACLE 390 MM  | 1        |
| 1    | 1419992-9005 | BACKREST RECEPTACLE 430 MM  | 1        |
| 1    | 1422112-9005 | BACKREST RECEPTACLE 480 MM  | 1        |
| 2    | 1420489      | CONNECTING TUBE 380 MM  | 1        |
| 2    | 1420490      | CONNECTING TUBE 430 MM  | 1        |
| 2    | 1420491      | CONNECTING TUBE 480 MM  | 1        |
| 3    | SP1450234    | SEAT BRACE (1 PAIR)   | 1        |
| 4    | 1420483      | HAND WHEEL  | 1        |
| 5    | 1421696      | PERFORATED REFLECTOR; YELLOW                                      | 2        |
| 6    | 1420488-0002 | SUPPORT SHAFT   | 1        |
| 7    | 1421713-0002 | HAND WHEEL SHAFT  | 1        |
| 8    | 1420477-9005 | BRACE RECEPTACLE manual/electrical LH                             | 1        |
| 8    | 1420476-9005 | BRACE RECEPTACLE manual RH  | 1        |
| 9    | 1429564-9005 | FITTING ATTACHMENT LH F. SLIDING ARMREST                          | 1        |
| 9    | 1429563-9005 | FITTING ATTACHMENT RH F. MANUAL ADJUSTMENT                        | 1        |
| 10   | 1442577      | PROTECTIVE COVERING 380MM   | 1        |
| 10   | 1442578      | PROTECTIVE COVERING 430MM   | 1        |
| 10   | 1442577      | PROTECTIVE COVERING 480MM   | 1        |

## Back Unit - Backrest adjustment FLEX/CONTUR el.

Rverstell\_el\_Flex\_A.dwg

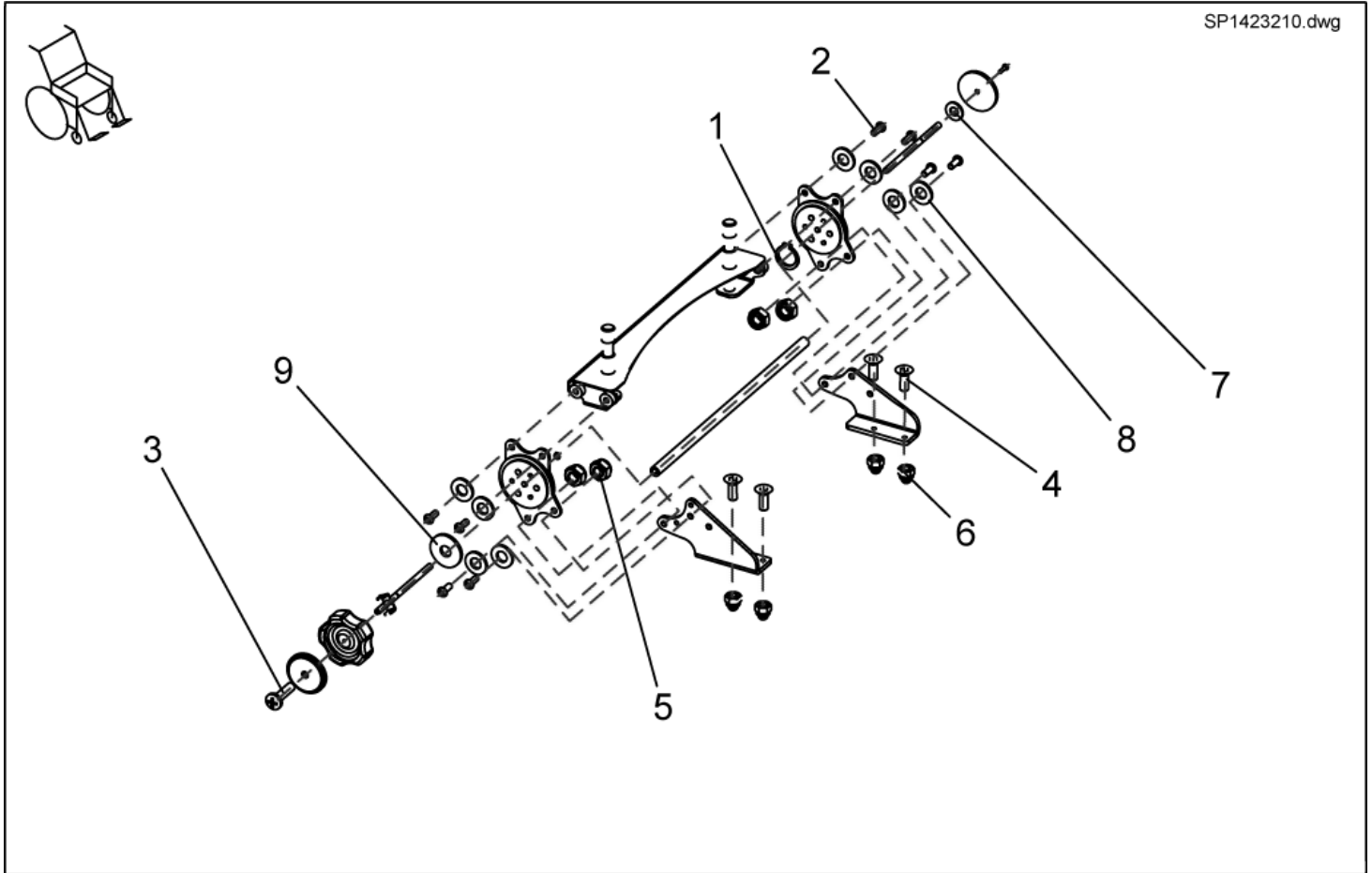


| item | ordercode    | description   | quantity |
|------|--------------|---|----------|
| -    | SP1422123    | ELECTRONIC BACKREST ADJUSTMENT F. FLEX SB 39 CPL.                     | 1        |
| -    | SP1422068    | ELECTRONIC BACKREST ADJUSTMENT SB 43 CPL.                             | 1        |
| -    | SP1422069    | ELECTRONIC BACKREST ADJUSTMENT SB 48 CPL.                             | 1        |
| -    | SP1425858    | ELECTRICAL BACK ADJUSTER, SEAT WIDTH 39CM, FOR SLIDING ARMRESTS, CPL. | 1        |
| -    | SP1425855    | ELECTRICAL BACK ADJUSTER, SEAT WIDTH 43CM, FOR SLIDING ARMRESTS, CPL. | 1        |
| -    | SP1425856    | ELECTRICAL BACK ADJUSTER, SEAT WIDTH 48CM, FOR SLIDING ARMRESTS, CPL. | 1        |
| -    | SP1423210    | BACKREST ADJUSTMENT ASSEMBLY KIT, CPL.                                | 1        |
| 1    | 1422119-9005 | BACKREST RECEPTACLE 390 MM  | 1        |
| 1    | 1419992-9005 | BACKREST RECEPTACLE 430 MM  | 1        |
| 1    | 1422112-9005 | BACKREST RECEPTACLE 480 MM  | 1        |
| 2    | 1420489      | CONNECTING TUBE 380 MM  | 1        |
| 2    | 1420490      | CONNECTING TUBE 430 MM  | 1        |
| 2    | 1420491      | CONNECTING TUBE 480 MM  | 1        |
| 3    | SP1423211    | SEAT BRACE (1 PAIR)   | 1        |
| 4    | 1420475      | GEAR MOTOR GMPG   | 1        |
| 5    | 1420998      | MOTOR CAP   | 1        |
| 6    | 1421696      | PERFORATED REFLECTOR; YELLOW  | 2        |
| 7    | 1420488-0002 | SUPPORT SHAFT   | 1        |
| 8    | 1420482      | REFLECTOR   | 1        |
| 9    | 1420487-0002 | MOTOR SHAFT   | 1        |
| 10   | 1420477-9005 | BRACE RECEPTACLE manual/electrical LH                                 | 1        |
| 10   | 1421708-9005 | BRACE RECEPTACLE electrical, RH                                       | 1        |
| 11   | 1429564-9005 | FITTING ATTACHMENT LH F. SLIDING ARMREST                              | 1        |
| 11   | 1429563-9005 | FITTING ATTACHMENT RH F. MANUAL ADJUSTMENT                            | 1        |
| 12   | 1442577      | PROTECTIVE COVERING 380MM   | 1        |
| 12   | 1442578      | PROTECTIVE COVERING 430MM   | 1        |
| 12   | 1442577      | PROTECTIVE COVERING 480MM   | 1        |

| item | ordercode | description             | quantity |
|------|-----------|-------------------------|----------|
| 13   | SP1423212 | SOLID ANGLE SENSOR CPL. | 1        |
| 14   | SP1423213 | LIMIT STOP SWITCH CPL.  | 1        |

# Back Unit - Backrest adjustment ASSEMBLY KIT, cpl.

SP1423210.dwg

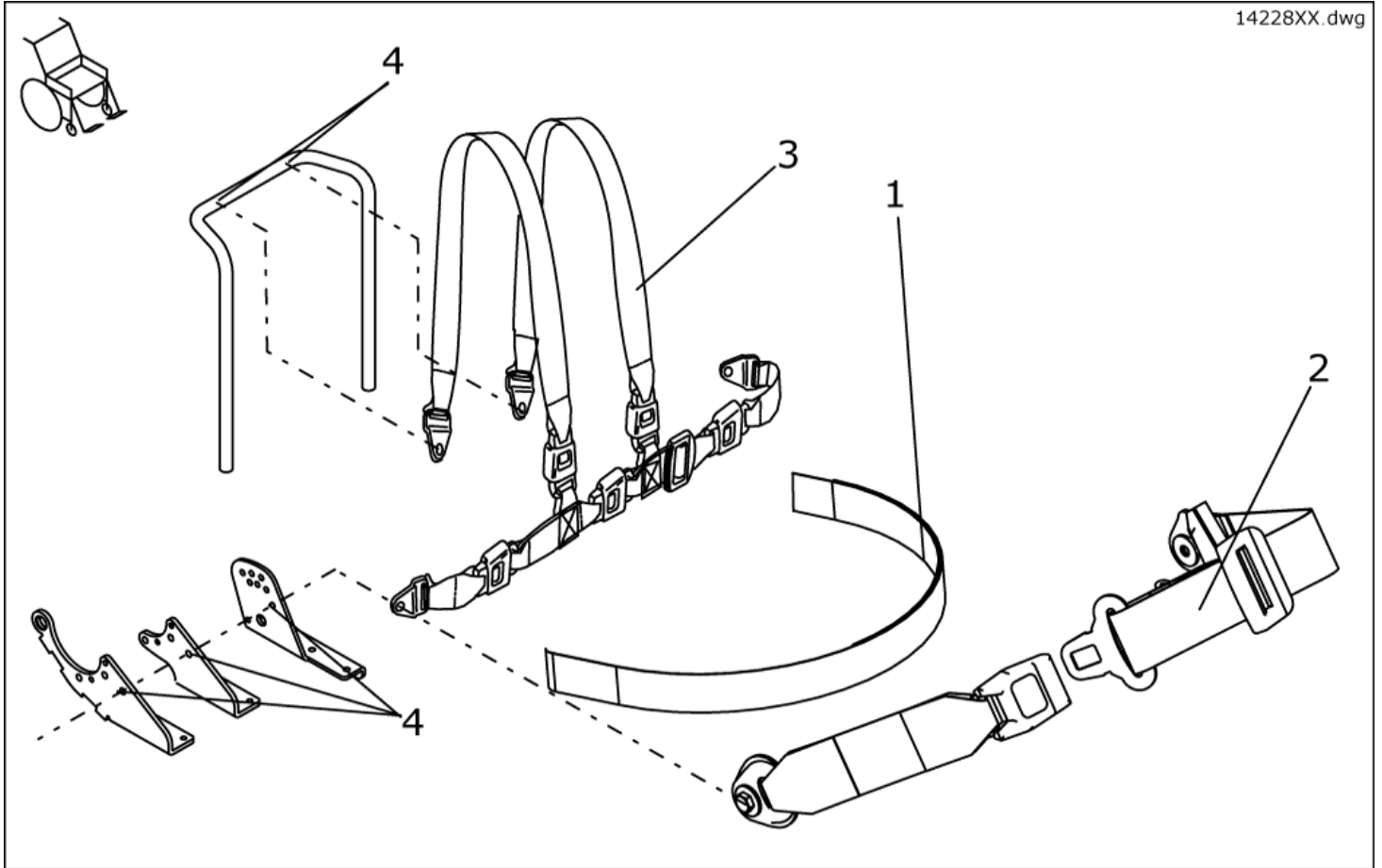


| item | ordercode | description                            | quantity |
|------|-----------|--|----------|
| -    | SP1423210 | BACKREST ADJUSTMENT ASSEMBLY KIT, CPL. | 1        |
| 1    | NA        | RETAINING RING                         | 2        |
| 2    | NA        | SCREW M8 X 20                          | 8        |
| 3    | NA        | CROSS HEAD SCREW M4 X 16               | 2        |
| 4    | NA        | COUNTERSUNK SOCKET HEAD SCREW M6 X 16  | 4        |
| 5    | NA        | NYLOC NUT M8                           | 4        |
| 6    | NA        | DOMED NYLOC NUT M6, SELF-LOCKING       | 4        |
| 7    | NA        | WASHER 4,3 X 9 X 0,8                   | 1        |
| 8    | NA        | WASHER 8,4 X 17 X 1,6                  | 11       |
| 9    | NA        | WASHER 8,4 X 25 X 2                    | 1        |



## Back Unit - Retaining belts

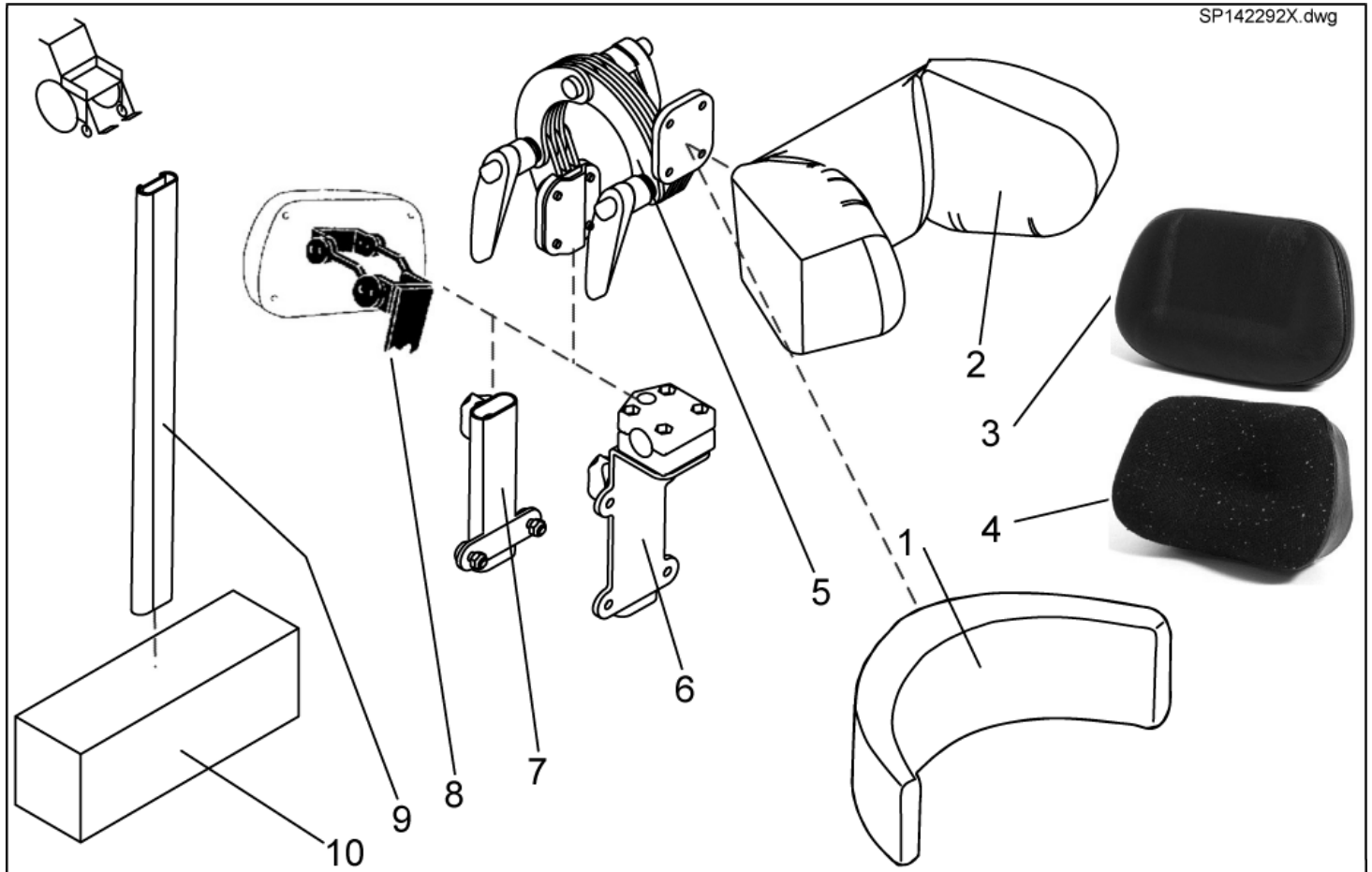
14228XX.dwg



| item | ordercode | description  | quantity |
|------|-----------|--|----------|
| 1    | 1422869   | POSITIONING STRAP W. VELCRO CPL. FOR STANDARD-SEAT       | 1        |
| 1    | 1422870   | POSITIONING STRAP W. VELCRO CPL. FOR FLEX/CONTOUR-SEAT   | 1        |
| 1    | F367002   | SAFETY BELT WITH VELCRO FASTNER F. RECARO                | 1        |
| 2    | 1422845   | POSITIONING STRAP W. SNAP CPL. FOR STANDARD-SEAT         | 1        |
| 2    | 1422846   | POSITIONING STRAP W. SNAP CPL. FOR FLEX/CONTOUR          | 1        |
| 2    | Z163001A  | SAFETY BELT WITH SNAP LOCK AND VELCRO FASTNER FOR RECARO | 1        |
| 3    | 1422848   | H-STRAP STD./CONTOUR                                     | 1        |
| 3    | 1422847   | H-STRAP FLEX   | 1        |
| 4    | NA        | SCREW-DOWN POINTS FOR RETAINING BELTS                    | 2, 4     |

## Back Unit - Head rests

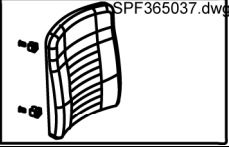
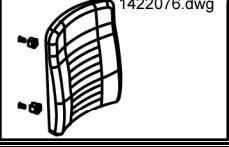
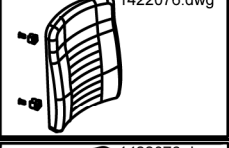

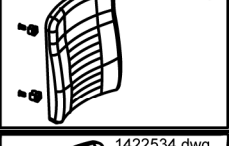






ONLY FOR SEAT SYSTEMS WITHOUT HEADREST !

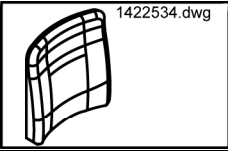
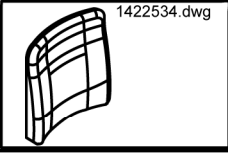
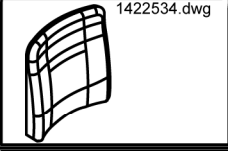
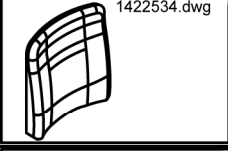
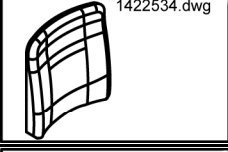
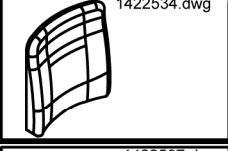



| item | ordercode    | description                                       | quantity |
|------|--------------|---|----------|
| 1,5  | SP1422925    | HEADREST CONTOUR BLACK CPL.                       | 1        |
| 2,5  | SP1423163    | HEADREST FLEX GREY CPL.                           | 1        |
| 2,5  | SP1428092    | HEADREST FLEX, DARTEX GREY, COMPLETE              | 1        |
| 2,5  | SP1422926    | HEADREST FLEX BLUE CPL.                           | 1        |
| 2,5  | SP1440285    | HEADREST FLEX, BLACK COMPLETE                     | 1        |
| 1    | 1422865      | HEADREST PAD STD./CONTOUR BLACK                   | 1        |
| 2    | 5252230-TR04 | HEADREST PAD FLEX GREY                            | 1        |
| 2    | 1422544      | HEADREST PAD FLEX BLUE                            | 1        |
| 3    | 1419640      | HEAD REST PAD ARNE JENSEN STANDARD CHILDREN       | 1        |
| 3    | 5313999      | HEAD REST PAD ARNE JENSEN STANDARD ADULTS         | 1        |
| 4    | 1419646      | HEAD REST PAD ARNE JENSEN TYPE 4 CHILDREN         | 1        |
| 4    | 1419643      | HEAD REST PAD ARNE JENSEN TYPE 4 ADULTS           | 1        |
| 5    | 5255497      | HEADREST HOLDER                                   | 1        |
| 6    | SP1422914    | HEADREST HOLDER F. STD. SEAT SYSTEM CPL.          | 1        |
| 7    | SP1422547    | HEADREST HOLDER F. CONTOUR/FLEX. SEAT SYSTEM CPL. | 1        |
| 8    | 1419637      | HEAD REST HOLDER ARNE JENSEN TYPE 3 CHILDREN      | 1        |
| 8    | 1419636      | HEAD REST HOLDER ARNE JENSEN TYPE 3 ADULTS        | 1        |
| 9    | 1422921      | HOLDER F. BACKREST EXTENSION                      | 1        |
| 10   | 5253035-TR04 | BACKREST EXTENSION SB 39; GREY                    | 1        |
| 10   | 5253035-TR23 | BACKREST EXTENSION REA 704 SB 39; DARTEX GREY     | 1        |
| 10   | SP1422918    | BACKREST EXTENSION FLEX SB 39; BLUE               | 1        |
| 10   | SP1436567    | BACKREST EXTENSION FLEX SB 39; BLACK              | 1        |
| 10   | 5253036-TR04 | BACKREST EXTENSION SB 44; GREY                    | 1        |
| 10   | 5253036-TR23 | BACKREST EXTENSION REA 704 SB 43; DARTEX GREY     | 1        |

| <b>item</b> | <b>ordercode</b> | <b>description</b>                            | <b>quantity</b> |
|-------------|------------------|---|-----------------|
| 10          | SP1422919        | BACKREST EXTENSION FLEX SB 43; BLUE           | 1               |
| 10          | SP1436568        | BACKREST EXTENSION FLEX SB 43; BLACK          | 1               |
| 10          | 5253037-TR04     | BACKREST EXTENSION SB 49; GREY                | 1               |
| 10          | 5253037-TR23     | BACKREST EXTENSION REA 704 SB 48; DARTEX GREY | 1               |
| 10          | SP1422920        | BACKREST EXTENSION FLEX SB 48; BLUE           | 1               |
| 10          | SP1440283        | BACKREST EXTENSION FLEX SB 48; BLACK          | 1               |

## Back Unit - Backrest Upholstery

| Picture  | Seat system      | Seat width<br>cm | color       | ordercode    |
|--|------------------|------------------|-------------|--------------|
|  SPF365037.dwg | Euro-Kontur-Sitz | n.a              | grey        | SPF365037    |
|  1422076.dwg   | Kontur           | 43               | black       | SP1422076    |
|  1422076.dwg   | Kontur           | 43               | grey        | SP1422075    |
|  1422076.dwg   | Kontur           | 48               | black       | SP1422078    |
|  1422076.dwg  | Kontur           | 48               | grey        | SP1422077    |
|  1422534.dwg | Flex             | 39               | blue        | 1422534      |
|  1422534.dwg | Flex             | 39               | Vinyl grey  | 5252506-TR04 |
|  1422534.dwg | Flex             | 39               | Dartex grey | 5252506-TR23 |
|  1422534.dwg | Flex             | 39               | black       | 1436564      |
|  1422534.dwg | Flex             | 43               | blue        | 1422535      |
|  1422534.dwg | Flex             | 43               | Vinyl grey  | 5252507-TR04 |

| Picture  | Seat system  | Seat width<br>cm | color          | ordercode    |
|--|--------------|------------------|----------------|--------------|
|  1422534.dwg   | Flex         | 43               | Dartex<br>grey | 5252507-TR23 |
|  1422534.dwg   | Flex         | 43               | black          | 1436565      |
|  1422534.dwg   | Flex         | 48               | blue           | 1422536      |
|  1422534.dwg   | Flex         | 48               | Vinyl<br>grey  | 5252508-TR04 |
|  1422534.dwg   | Flex         | 48               | Dartex<br>grey | 5252508-TR23 |
|  1422534.dwg  | Flex         | 48               | black          | 1436566      |
|  1422537.dwg | Flex Vic Air | 43               | VicAir         | 1422537      |