

Spare Parts Catalogue

Version: 2010/05/27a EN



Invacare® Harrier XHD



Yes, you can.®

General Information

For any order of spare parts the following information is required:

- Product type*
- Product name & model*
- Serial Number*
- Part-Number*
- Part-Description*

Exploded view drawings and code numbers are not contractual and subject to modification, in relation to Invacare® continuous product improvement policy to meet end users needs.

The reproduction or use of this work, or of any substantial part of this work, in any form or by any electronic, mechanical or other means, including photocopying, scanning and recording, and in any information storage and retrieval system, including electronic transmission, is forbidden without the prior written permission of Invacare® International Sarl.



Yes, you can.®

TABLE OF CONTENTS

Chassis

Sideframes	5
Crossbraces	6
Post Slide/Inner Rails	7
Battery Carrier Assemblies	8
Anti Tip Assembly	9

Seating

Padded Seats	10
Covered Seatboards	11

Backrests

Angle Adjustable Fixed Backrests

Padded Backs

Seat Depth 37cm > 40cm (Swan)	12
Seat Depth 41cm > 45cm (Duck)	13
Seat Depth 46cm > 50cm (Straight)	14

Angle Adjustable Backrest Support Brackets

Backrest Support Brackets	15
---------------------------------	----

Tension Adjustable Backs

Seat Depth 37cm > 40cm (Single Swan)	16
Seat Depth 46cm > 50cm (Straight)	17

Legrests

Legrest Hangers	18
Amputee Supports	19

Footrests

Footplate Extension Assembly	20
------------------------------------	----

Siderests

Upholstered Armrest Assemblies

Standard Upholstered Armrest Assemblies

Standard Upholstered Armrest Assemblies Seat Depth 31cm-37cm	21
Standard Upholstered Armrest Assemblies Seat Depth 40cm-50cm	22
Armrest Support Assembly	23
Moulded Armrest Assemblies	24
Armrest Adjuster Brackets	25



Yes, you can.®

TABLE OF CONTENTS

Front Castor Fork Assembly

Castor Fork Assemblies	26
------------------------------	----

Rear Wheel

Rear Wheel Assembly	27
---------------------------	----

Motor Assemblies and Batteries

Motor and Gearbox Assembly	28
Battery Box Assemblies - 50amp	29
Transportation Straps (Batteries)	30
Battery Charger	31

Brake

Brake	32
-------------	----

Controllers

Dynamics ACS Controller	33
-------------------------------	----

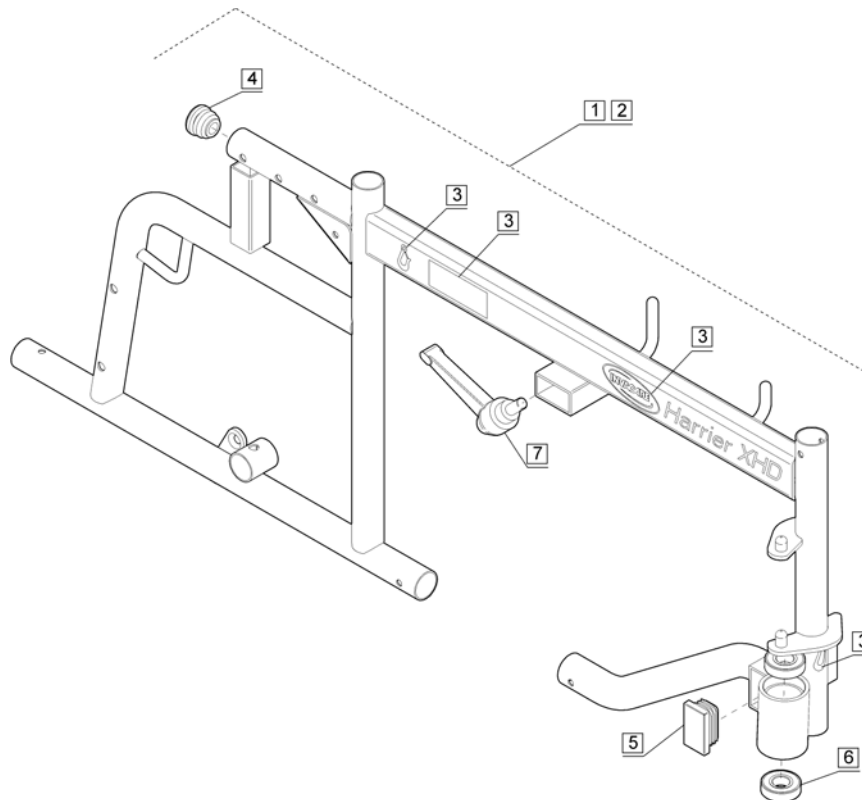
Seating Options

Upholstered Headrest Assembly	34
Trunk Supports	35

Other Options an Accessories

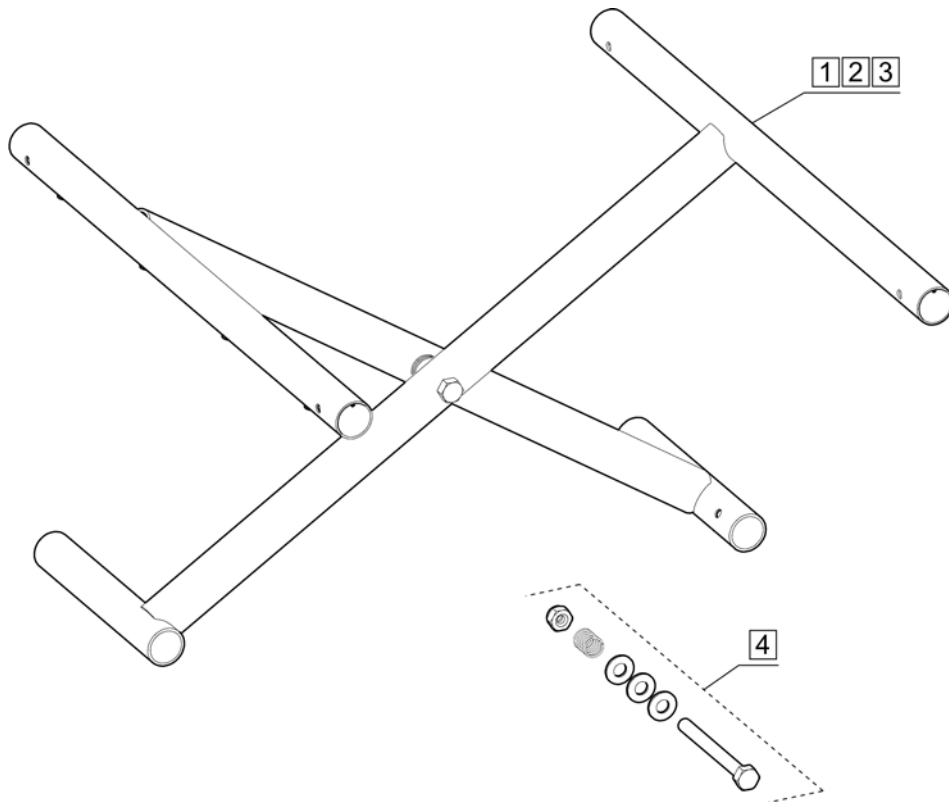
Kerb Climbers	36
Swing Away Bracket Assembly	37
Various End Caps	38
Strap Assemblies	39

Sideframes

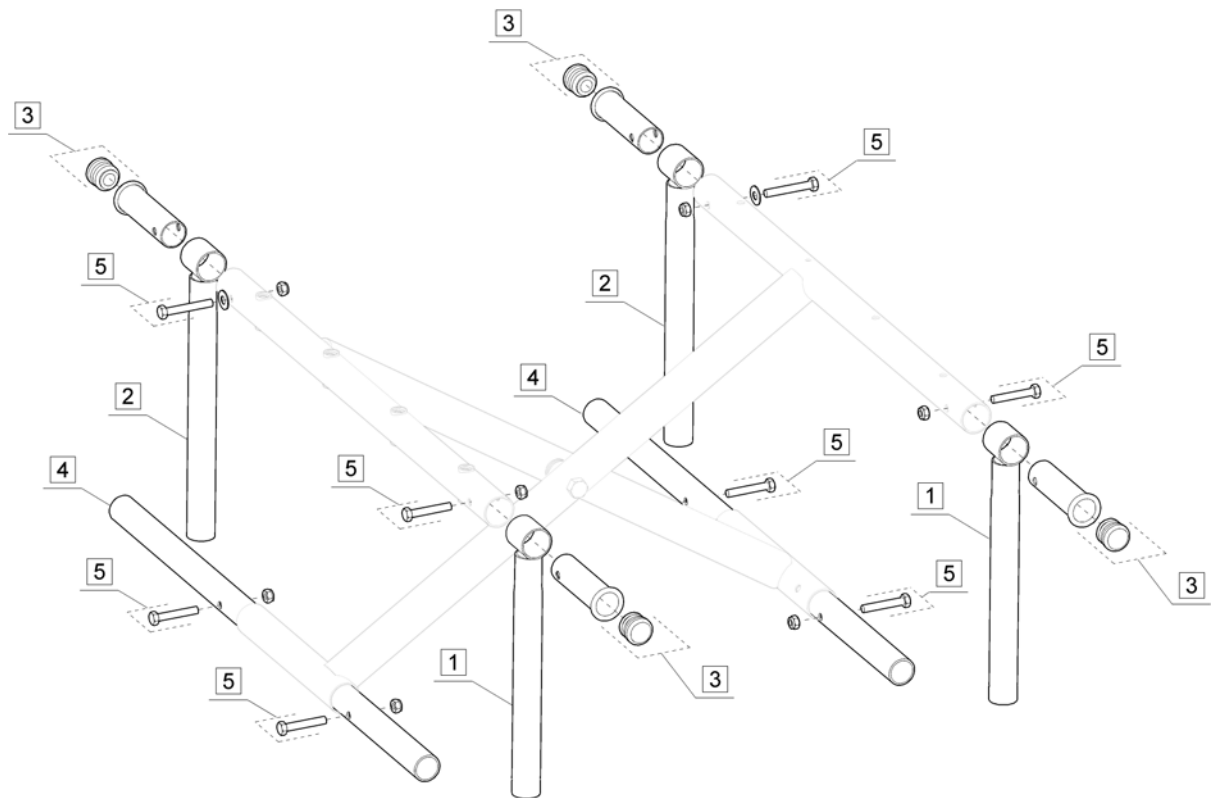


Pos.	Part number	Description	Valid from → until	Qty
1	1526653	Sideframe Black Assembly RH		1
2	1526654	Sideframe Black Assembly LH		1
3	1526995	Sideframe Label Kit - Harrier XHD		1
4	L01019	Tube End Plug 7/8"		1
5	00959926	End Plug - 35mm x 20mm		1
6	1433095	Castor Bearing		2
7	90892410	Armrest Clamp Lever		1

Crossbraces

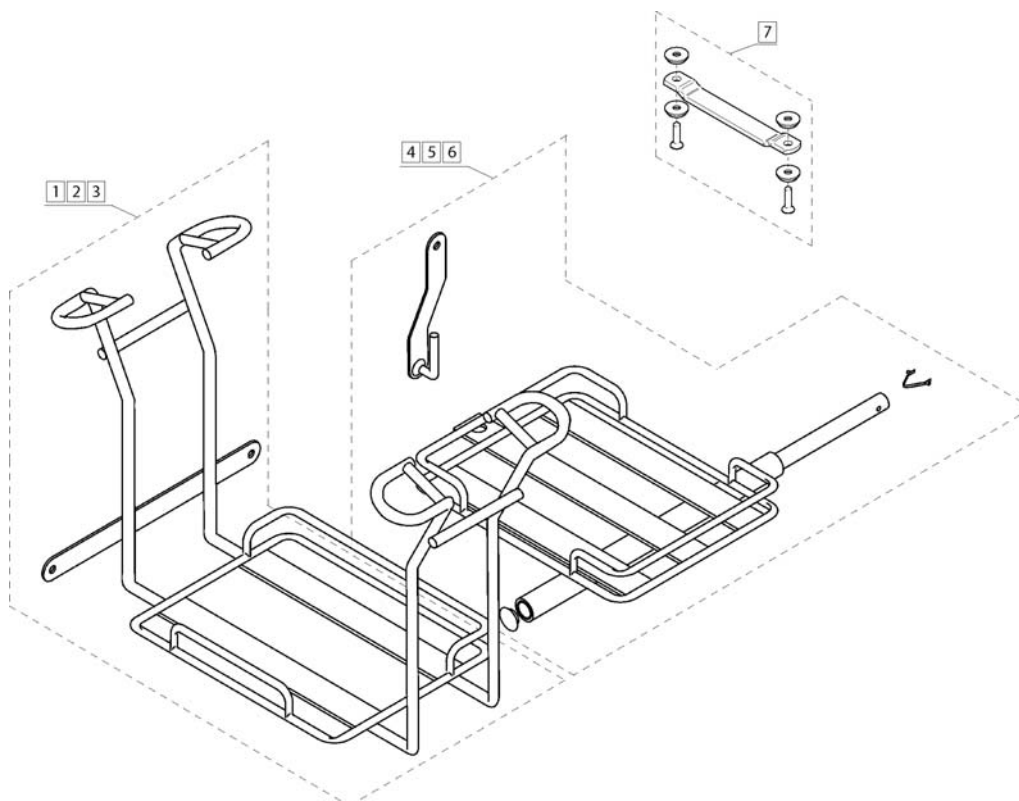


Pos.	Part number	Description	Valid from → until	Qty
1	1528016	Crossbrace Assy 46cm (18") Chassis		1
2	1526993	Crossbrace Assy 51cm (20") Chassis		1
3	1526994	Crossbrace Assy 56cm (22") Chassis		1
4	1511259	Pivot Fixation Kit		1



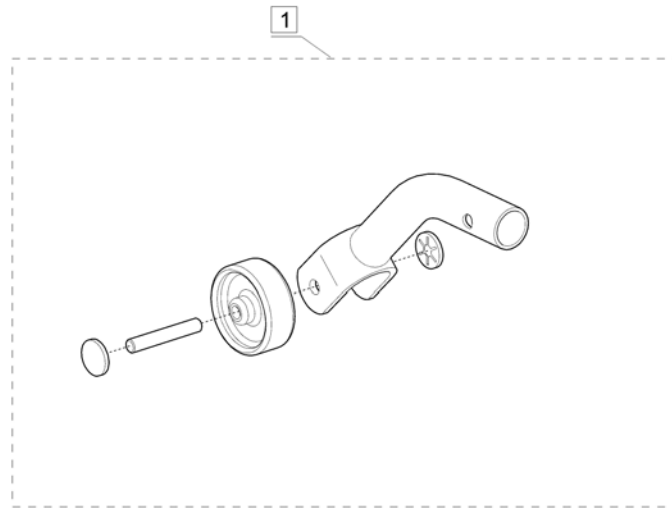
Pos.	Part number	Description	Valid from → until	Qty
1	26003701	Front Post Slide		1
2	26003702	Rear Post Slide (chrome)		1
3	1511260	Top Inner Rail Kit		1
4	1511262	Bottom Inner Rail Kit		1
5	1511261	Fixation Kit		1

Battery Carrier Assemblies



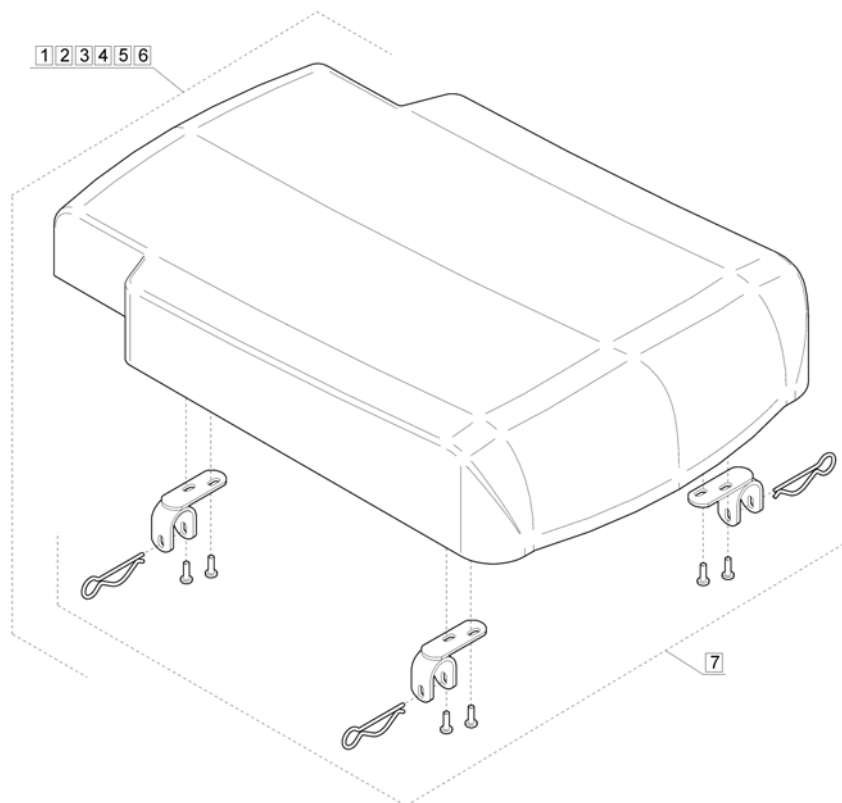
Pos.	Part number	Description	Valid from → until	Qty
1	1426277	Front Battery Carrier Assembly 46cm (18")		1
2	1426278	Front Battery Carrier Assembly 51cm (20")		1
3	1426279	Front Battery Carrier Assembly 56cm (22")		1
4	1433120	Rear Battery Carrier Assembly 46cm (18")		1
5	1433121	Rear Battery Carrier Assembly 51cm (20")		1
6	1433122	Rear Battery Carrier Assembly 56cm (22")		1
7	1512340	Front Battery Cradle Fixation Kit		1

Anti Tip Assembly

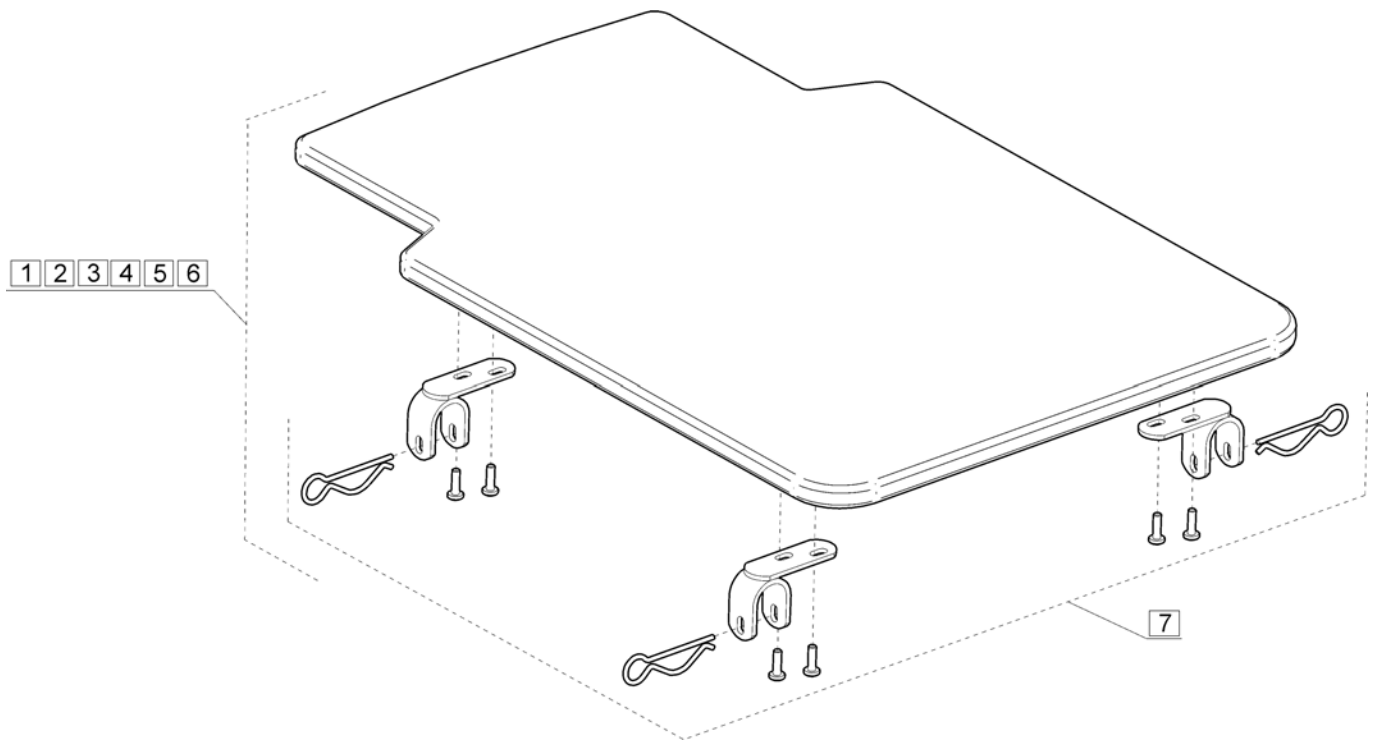


Pos.	Part number	Description	Valid from → until	Qty
1	30000117	Anti Tip Assembly		1

Padded Seats

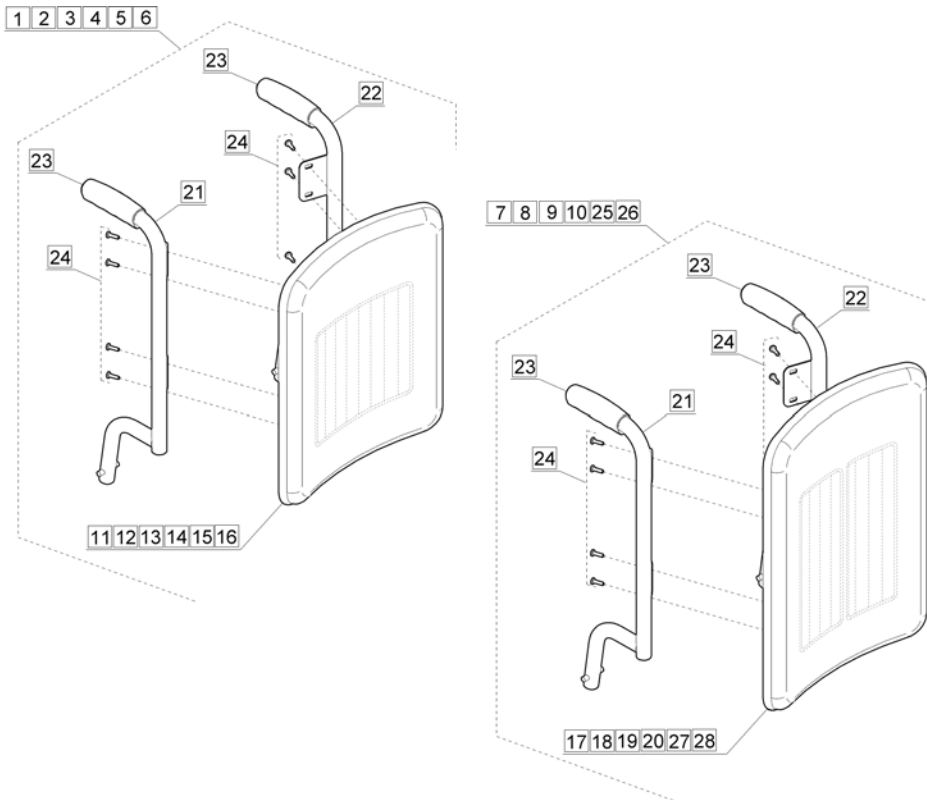


Pos.	Part number	Description	Valid from → until	Qty
1	1512367	Padded Seat Cpl Black Bird 46cm (18")		1
2	1512366	Padded Seat Cpl Black Jemima 46cm (18")		1
3	1527054	Padded Seat Cpl Black Bird 51cm (20")		1
4	1527037	Padded Seat Cpl Black Jemima 51cm (20")		1
5	1527055	Padded Seat Cpl Black Bird 56cm (22")		1
6	1527038	Padded Seat Cpl Black Jemima 56cm (22")		1
7	1512361	Seat Bracket Kit		1



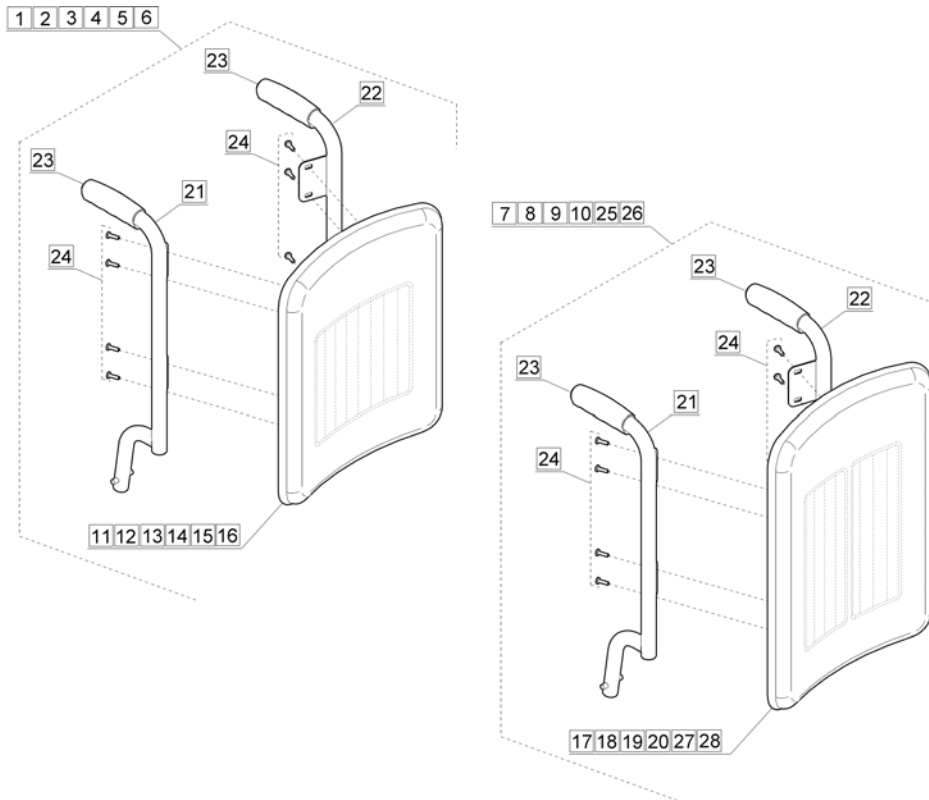
Pos.	Part number	Description	Valid from → until	Qty
1	1512375	Seatboard Cpl Black Bird 46cm (18")		1
2	1512374	Seatboard Cpl Black Jemima 46cm (18")		1
3	1527058	Seatboard Cpl Black Bird 51cm (20")		1
4	1527056	Seatboard Cpl Black Jemima 51cm (20")		1
5	1527059	Seatboard Cpl Black Bird 56cm (22")		1
6	1527057	Seatboard Cpl Black Jemima 56cm (22")		1
7	1512361	Seat Bracket Kit		1

Seat Depth 37cm > 40cm (Swan)



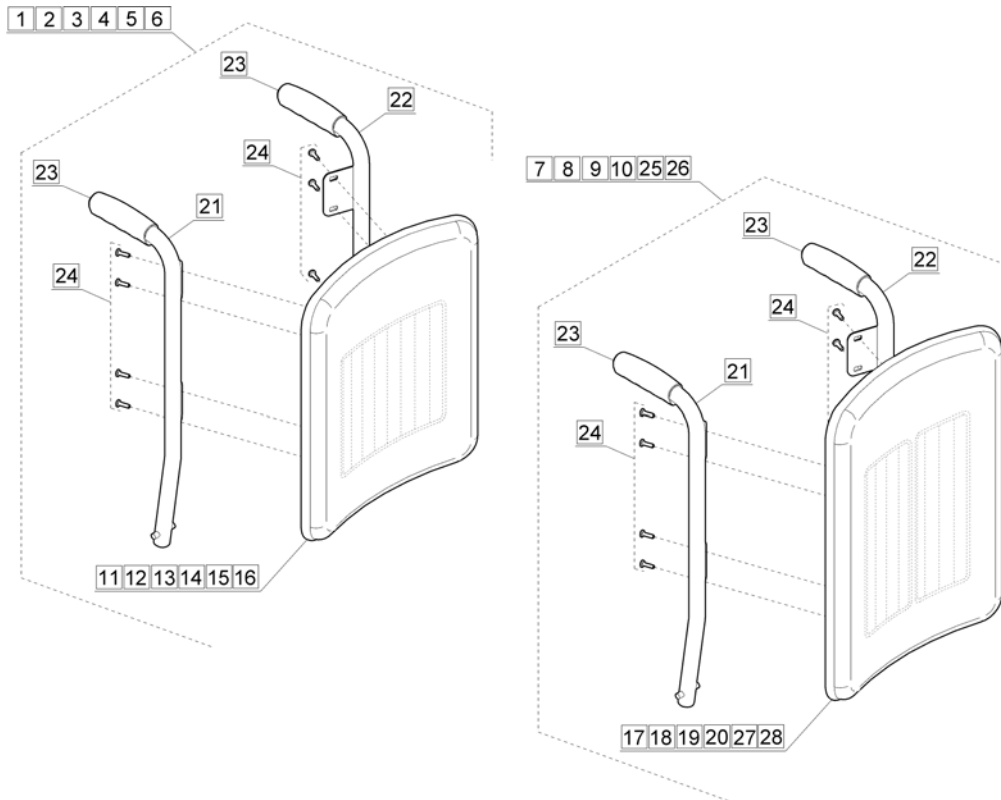
Pos.	Part number	Description	Valid from → until	Qty
1	1513217	Standard Height Cpl Assy Black Bird 46cm (18")		1
2	1513218	Standard Height Cpl Assy Black Jemima 46cm (18")		1
3	1527010	Standard Height Cpl Assy Black Bird 51cm (20")		1
4	1527012	Standard Height Cpl Assy Black Jemima 51cm (20")		1
5	1527011	Standard Height Cpl Assy Black Bird 56cm (22")		1
6	1527013	Standard Height Cpl Assy Black Jemima 56cm (22")		1
7	1513219	Extended Height Cpl Assy Black Bird 46cm (18")		1
8	1513220	Extended Height Cpl Assy Black Jemima 46cm (18")		1
9	1527014	Extended Height Cpl Assy Black Bird 51cm (20")		1
10	1527020	Extended Height Cpl Assy Black Jemima 51cm (20")		1
11	26003492BKB	Padded Back Standard Height Black Bird 46cm (18")		1
12	26003492BKJ	Padded Back Standard Height Black Jemima 46cm (18")		1
13	1433105-0214	Padded Back Standard Height Black Bird 51cm (20")		1
14	1433105-0208	Padded Back Standard Height Black Jemima 51cm (20")		1
15	1433106-0214	Padded Back Standard Height Black Bird 56cm (22")		1
16	1433106-0208	Padded Back Standard Height Black Jemima 56cm (22")		1
17	26003495BKB	Padded Back Extended Height Black Bird 46cm (18")		1
18	26003495BKJ	Padded Back Extended Height Black Jemima 46cm (18")		1
19	1433107-0214	Padded Back Extended Height Black Bird 51cm (20")		1
20	1433107-0208	Padded Back Extended Height Black Jemima 51cm (20")		1
21	26003786	Backpost complete RH, Swan Neck 90mm offset		1
22	26003785	Backpost complete LH, Swan Neck 90mm offset		1
23	1514636	Handgrips (2 Off)		1
24	1514637	Screws M5x10 (8 Off)		1
25	1538690	Extended Height Cpl Assy Black Bird 56cm (22")		1
26	1538691	Extended Height Cpl Assy Black Jemima 56cm (22")		1
27	1433108-0214	Padded Back Extended Height Black Bird 56cm (22")		1
28	1433108-0208	Padded Back Extended Height Black Jemima 56cm (22")		1

Seat Depth 41cm > 45cm (Duck)

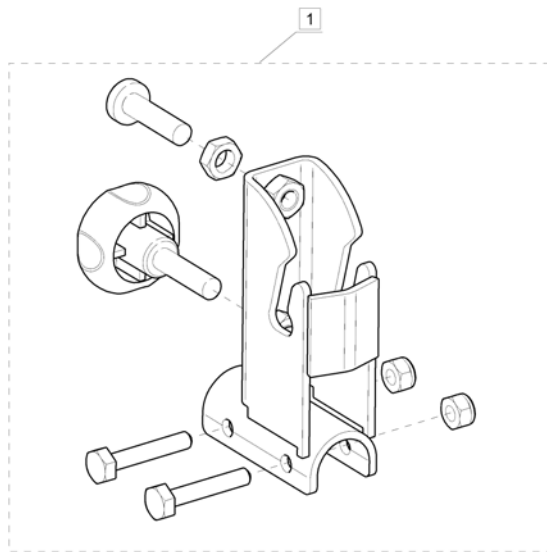


Pos.	Part number	Description	Valid from → until	Qty
1	1513498	Standard Height Cpl Assy Black Bird 46cm (18")		1
2	1513499	Standard Height Cpl Assy Black Jemima 46cm (18")		1
3	1527022	Standard Height Cpl Assy Black Bird 51cm (20")		1
4	1527023	Standard Height Cpl Assy Black Jemima 51cm (20")		1
5	1527024	Standard Height Cpl Assy Black Bird 56cm (22")		1
6	1527025	Standard Height Cpl Assy Black Jemima 56cm (22")		1
7	1513504	Extended Height Cpl Assy Black Bird 46cm (18")		1
8	1513505	Extended Height Cpl Assy Black Jemima 46cm (18")		1
9	1527026	Extended Height Cpl Assy Black Bird 51cm (20")		1
10	1527027	Extended Height Cpl Assy Black Jemima 51cm (20")		1
11	26003492BKB	Padded Back Standard Height Black Bird 46cm (18")		1
12	26003492BKJ	Padded Back Standard Height Black Jemima 46cm (18")		1
13	1433105-0214	Padded Back Standard Height Black Bird 51cm (20")		1
14	1433105-0208	Padded Back Standard Height Black Jemima 51cm (20")		1
15	1433106-0214	Padded Back Standard Height Black Bird 56cm (22")		1
16	1433106-0208	Padded Back Standard Height Black Jemima 56cm (22")		1
17	26003495BKB	Padded Back Extended Height Black Bird 46cm (18")		1
18	26003495BKJ	Padded Back Extended Height Black Jemima 46cm (18")		1
19	1433107-0214	Padded Back Extended Height Black Bird 51cm (20")		1
20	1433107-0208	Padded Back Extended Height Black Jemima 51cm (20")		1
21	1513274	RH Backpost Assy		1
22	1513275	LH Backpost Assy		1
23	1514636	Handgrips (2 Off)		1
24	1514637	Screws M5x10 (8 Off)		1
25	1538688	Extended Height Cpl Assy Black Bird 56cm (22")		1
26	1538689	Extended Height Cpl Assy Black Jemima 56cm (22")		1
27	1433108-0214	Padded Back Extended Height Black Bird 56cm (22")		1
28	1433108-0208	Padded Back Extended Height Black Jemima 56cm (22")		1

Seat Depth 46cm > 50cm (Straight)

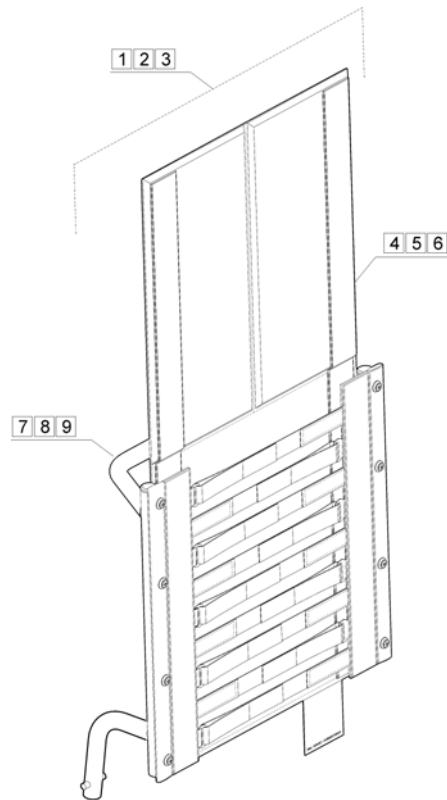


Pos.	Part number	Description	Valid from → until	Qty
1	1513668	Standard Height Cpl Assy Black Bird 46cm (18")		1
2	1513669	Standard Height Cpl Assy Black Jemima 46cm (18")		1
3	1527028	Standard Height Cpl Assy Black Bird 51cm (20")		1
4	1527030	Standard Height Cpl Assy Black Jemima 51cm (20")		1
5	1527029	Standard Height Cpl Assy Black Bird 56cm (22")		1
6	1527031	Standard Height Cpl Assy Black Jemima 56cm (22")		1
7	1513784	Extended Height Cpl Assy Black Bird 46cm (18")		1
8	1513785	Extended Height Cpl Assy Black Jemima 46cm (18")		1
9	1527032	Extended Height Cpl Assy Black Bird 51cm (20")		1
10	1527033	Extended Height Cpl Assy Black Jemima 51cm (20")		1
11	26003492BKB	Padded Back Standard Height Black Bird 46cm (18")		1
12	26003492BKJ	Padded Back Standard Height Black Jemima 46cm (18")		1
13	1433105-0214	Padded Back Standard Height Black Bird 51cm (20")		1
14	1433105-0208	Padded Back Standard Height Black Jemima 51cm (20")		1
15	1433106-0214	Padded Back Standard Height Black Bird 56cm (22")		1
16	1433106-0208	Padded Back Standard Height Black Jemima 56cm (22")		1
17	26003495BKB	Padded Back Extended Height Black Bird 46cm (18")		1
18	26003495BKJ	Padded Back Extended Height Black Jemima 46cm (18")		1
19	1433107-0214	Padded Back Extended Height Black Bird 51cm (20")		1
20	1433107-0208	Padded Back Extended Height Black Jemima 51cm (20")		1
21	1514638	RH Backpost Assy		1
22	1514639	LH Backpost Assy		1
23	1514636	Handgrips (2 Off)		1
24	1514637	Screws M5x10 (8 Off)		1
25	1538686	Extended Height Cpl Assy Black Bird 56cm (22")		1
26	1538687	Extended Height Cpl Assy Black Jemima 56cm (22")		1
27	1433108-0214	Padded Back Extended Height Black Bird 56cm (22")		1
28	1433108-0208	Padded Back Extended Height Black Jemima 56cm (22")		1



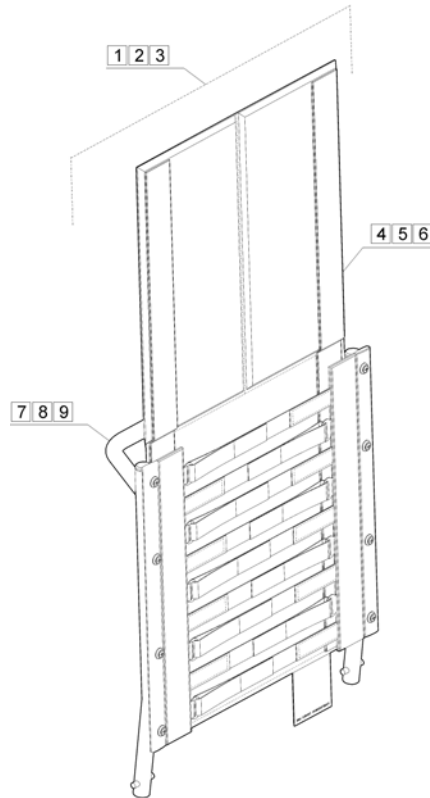
Pos.	Part number	Description	Valid from → until	Qty
1	1517047	Standard Support Bracket Assy		1

Seat Depth 37cm > 40cm (Single Swan)



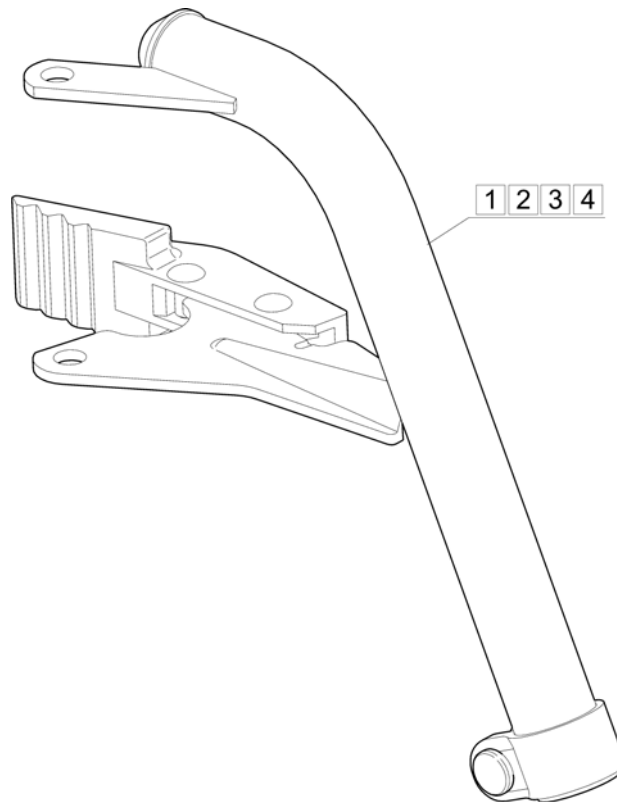
Pos.	Part number	Description	Valid from → until	Qty
1	1527213	Tension Backrest Complete 46cm (18")		1
2	1527214	Tension Backrest Complete 51cm (20")		1
3	1527215	Tension Backrest Complete 56cm (22")		1
4	1436907-0207	Tension Adjustable Canvas 46cm (18")		1
5	1527211	Tension Adjustable Canvas 51cm (20")		1
6	1527212	Tension Adjustable Canvas 56cm (22")		1
7	1527205	Backpost Assy 46cm (18")		1
8	1527206	Backpost Assy 51cm (20")		1
9	1527207	Backpost Assy 56cm (22")		1

Seat Depth 46cm > 50cm (Straight)



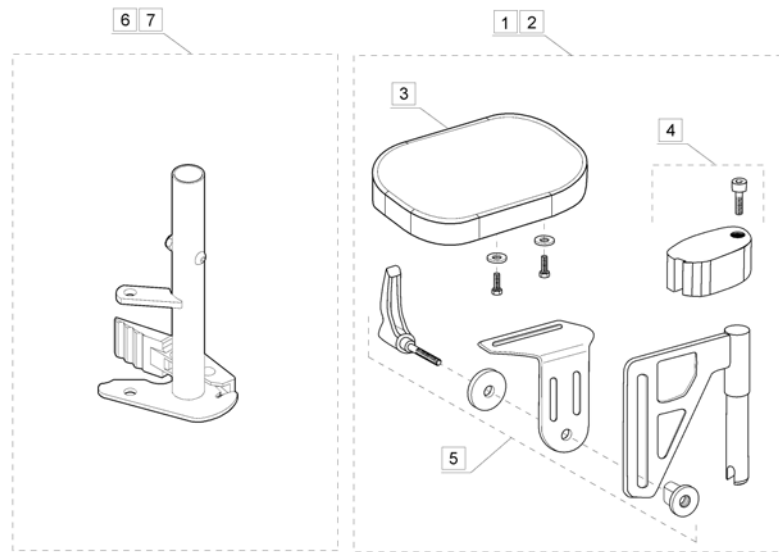
Pos.	Part number	Description	Valid from → until	Qty
1	1527216	Tension Backrest Complete 46cm (18")		1
2	1527217	Tension Backrest Complete 51cm (20")		1
3	1527218	Tension Backrest Canvas 56cm (22")		1
4	1436907-0207	Tension Adjustable Canvas 46cm (18")		1
5	1527211	Tension Adjustable Canvas 51cm (20")		1
6	1527212	Tension Adjustable Canvas 56cm (22")		1
7	1527208	Backpost Assy 46cm (18")		1
8	1527209	Backpost Assy 51cm (20")		1
9	1527210	Backpost Assy 56cm (22")		1

Legrest Hangers



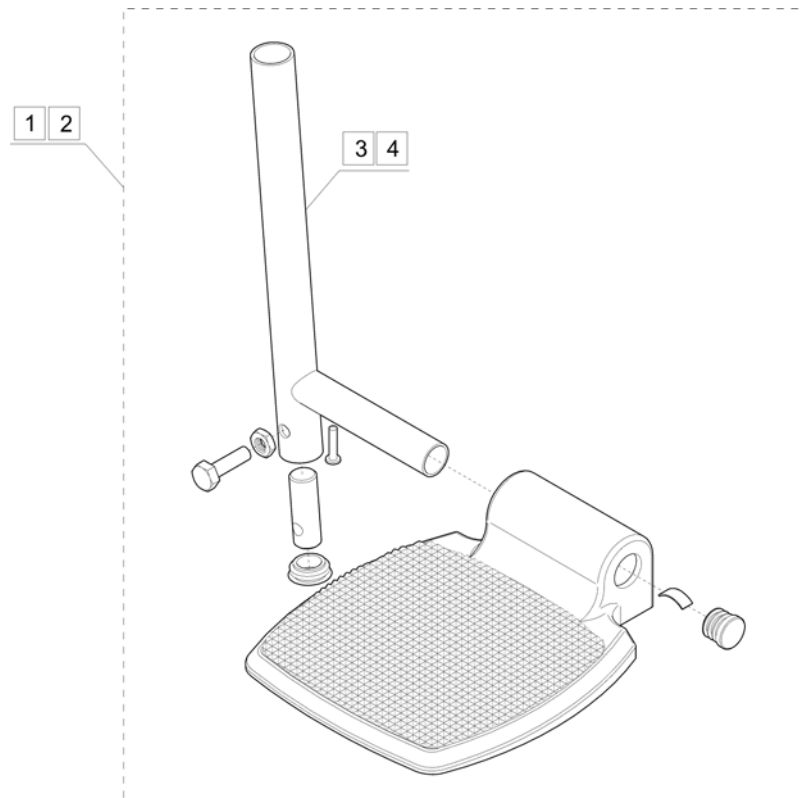
Pos.	Part number	Description	Valid from → until	Qty
1	1525023	Standard Legrest Hanger RH - Textured Black		1
2	1525024	Standard Legrest Hanger LH - Textured Black		1
3	1527297	Standard Legrest Hanger RH - Gloss Black		1
4	1527298	Standard Legrest Hanger LH - Gloss Black		1

Amputee Supports



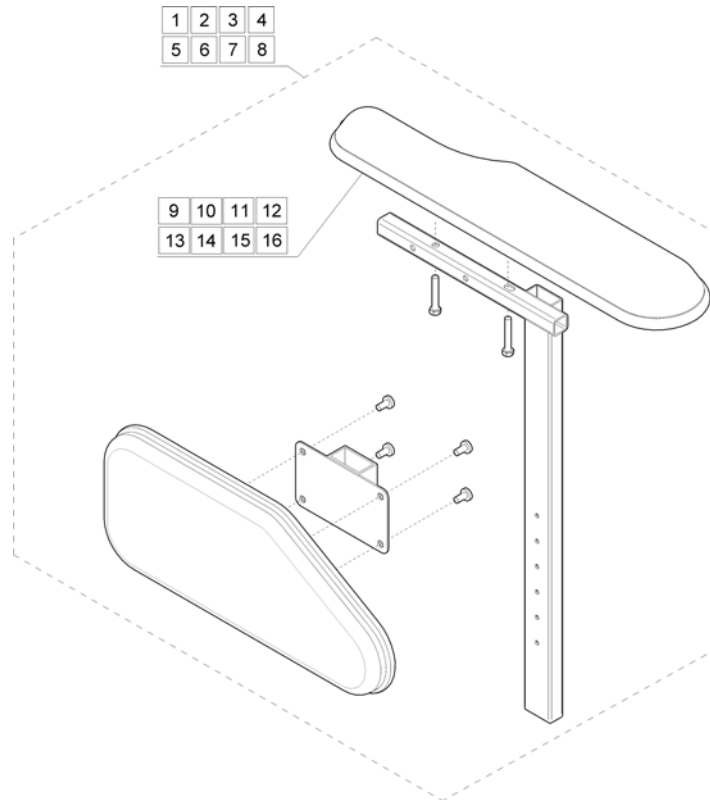
Pos.	Part number	Description	Valid from → until	Qty
1	1442990	Support amputé droit		1
2	1442991	Support amputé gauche		0
3	5221090-TR03	Coussin Support Pour Amputé Noir Vinyle		1
4	1446556	BUTEE AMPUTE + FIXATION		1
5	1446557	FIXATION GLISSIERE AMPUTE		1
6	1534699	Amputee Support Mounting Bracket RH		1
7	1534700	Amputee Support Mounting Bracket LH		1

Footplate Extension Assembly



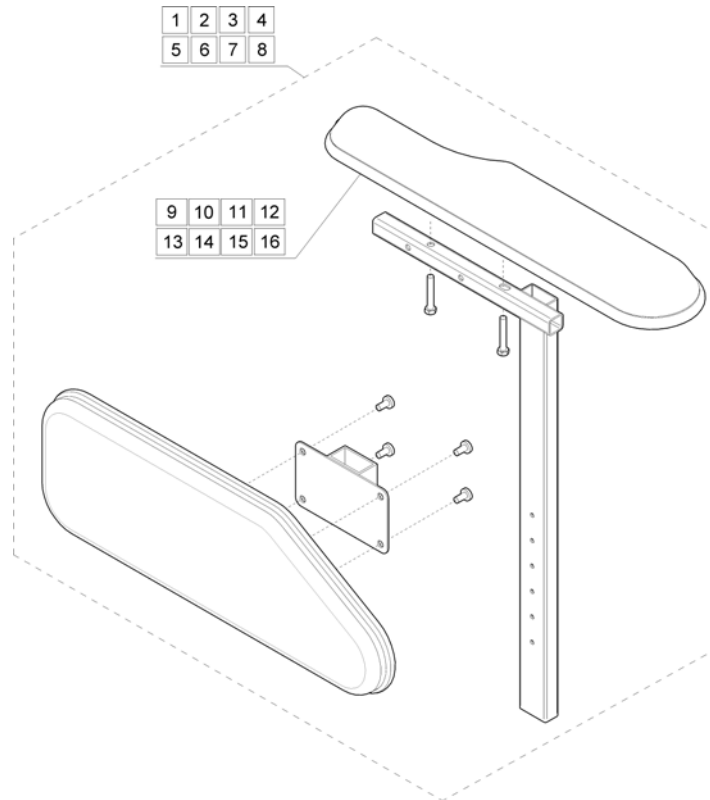
Pos.	Part number	Description	Valid from → until	Qty
1	26003108	RH Footplate Extension Assembly (7.5")		1
2	26003109	LH Footplate Extension Assembly (7.5")		1
3	26003626	Extension Tube - Long (not handed)		1
4	1416154-0205	Extension Tube - Short (not handed)		1

Standard Upholstered Armrest Assemblies Seat Depth 31cm-37cm



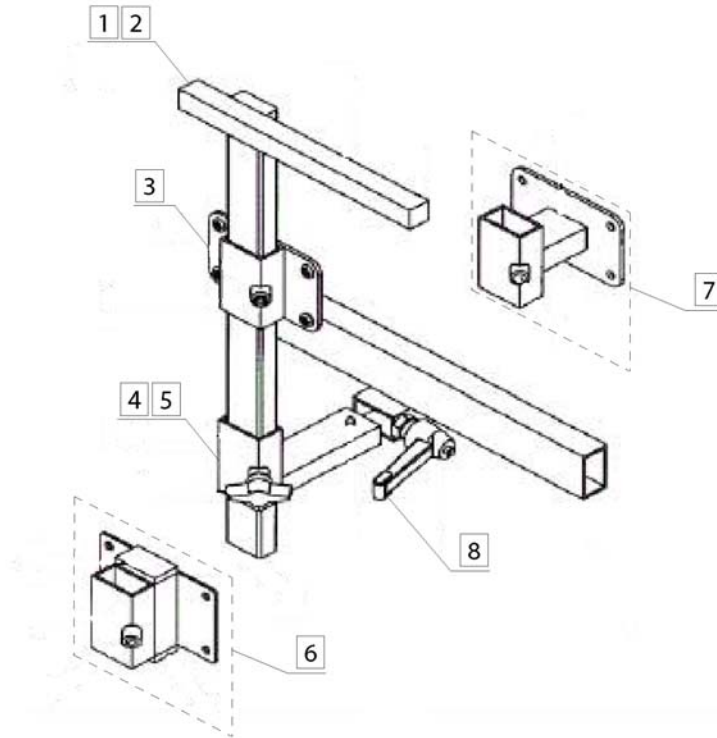
Pos.	Part number	Description	Valid from → until	Qty
1	1523363	Upholstered Armrest Kit RH - Black Jemima		1
2	1523371	Upholstered Armrest Kit LH - Black Jemima		1
3	1523364	Upholstered Armrest Kit RH - Black Bird		1
4	1523372	Upholstered Armrest Kit LH - Black Bird		1
5	1523365	Upholstered Armrest Kit RH - Grey Dartex		1
6	1523373	Upholstered Armrest Kit LH - Grey Dartex		1
7	1523366	Upholstered Armrest Kit RH - Black Plush		1
8	1523374	Upholstered Armrest Kit LH - Black Plush		1
9	1524145-0208	Upholstered Armpad RH - Black Jemima		1
10	1524159-0208	Upholstered Armpad LH - Black Jemima		1
11	1524145-0214	Upholstered Armpad RH - Black Bird		1
12	1524159-0214	Upholstered Armpad LH - Black Bird		1
13	1524145-0232	Upholstered Armpad RH - Grey Dartex		1
14	1524159-0232	Upholstered Armpad LH - Grey Dartex		1
15	1524145-0227	Upholstered Armpad RH - Black Plush		1
16	1524159-0227	Upholstered Armpad LH - Black Plush		1

Standard Upholstered Armrest Assemblies Seat Depth 40cm-50cm



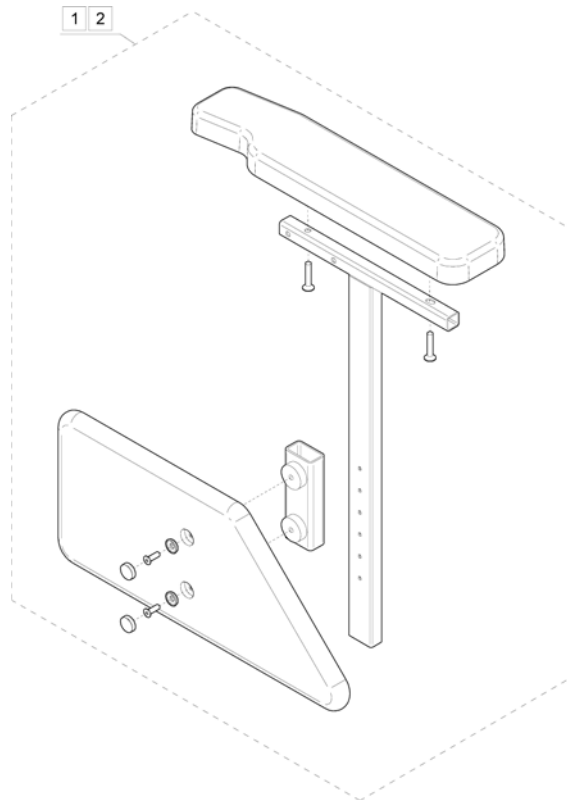
Pos.	Part number	Description	Valid from → until	Qty
1	1523367	Upholstered Armrest Kit RH - Black Jemima		1
2	1523375	Upholstered Armrest Kit LH - Black Jemima		1
3	1523368	Upholstered Armrest Kit RH - Black Bird		1
4	1523376	Upholstered Armrest Kit LH - Black Bird		1
5	1523369	Upholstered Armrest Kit RH - Grey Dartex		1
6	1523377	Upholstered Armrest Kit LH - Grey Dartex		1
7	1523370	Upholstered Armrest Kit RH - Black Plush		1
8	1523378	Upholstered Armrest Kit LH - Black Plush		1
9	1524145-0208	Upholstered Armpad RH - Black Jemima		1
10	1524159-0208	Upholstered Armpad LH - Black Jemima		1
11	1524145-0214	Upholstered Armpad RH - Black Bird		1
12	1524159-0214	Upholstered Armpad LH - Black Bird		1
13	1524145-0232	Upholstered Armpad RH - Grey Dartex		1
14	1524159-0232	Upholstered Armpad LH - Grey Dartex		1
15	1524145-0227	Upholstered Armpad RH - Black Plush		1
16	1524159-0227	Upholstered Armpad LH - Black Plush		1

Armrest Support Assembly



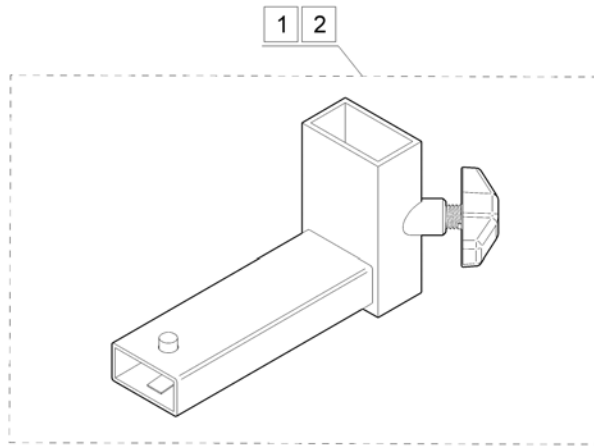
Pos.	Part number	Description	Valid from → until	Qty
1	1526780	Armrest Support Tube Assembly RH		1
2	1526781	Armrest Support Tube Assembly LH		1
3	1526776	Panel Mounting Bracket - Single		1
4	26003706	Transverse Armrest Mounting Bracket Assembly RH		1
5	26003707	Transverse Armrest Mounting Bracket Assembly LH		1
6	1526778	Panel Mounting Bracket - Double		1
7	1526775	Panel Mounting Bracket - Treble		1
8	90892410	Armrest Clamp Lever		1

Moulded Armrest Assemblies



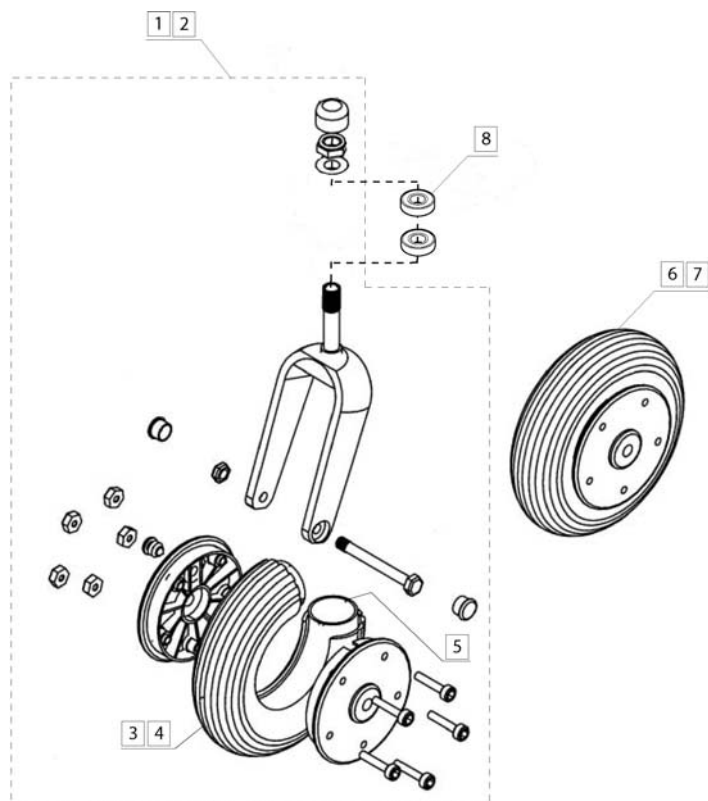
Pos.	Part number	Description	Valid from → until	Qty
1	1425934	Mouldest Armrest Kit RH - 38cm & 43cm		1
2	1425935	Mouldest Armrest Kit LH - 38cm & 43cm		1

Armrest Adjuster Brackets

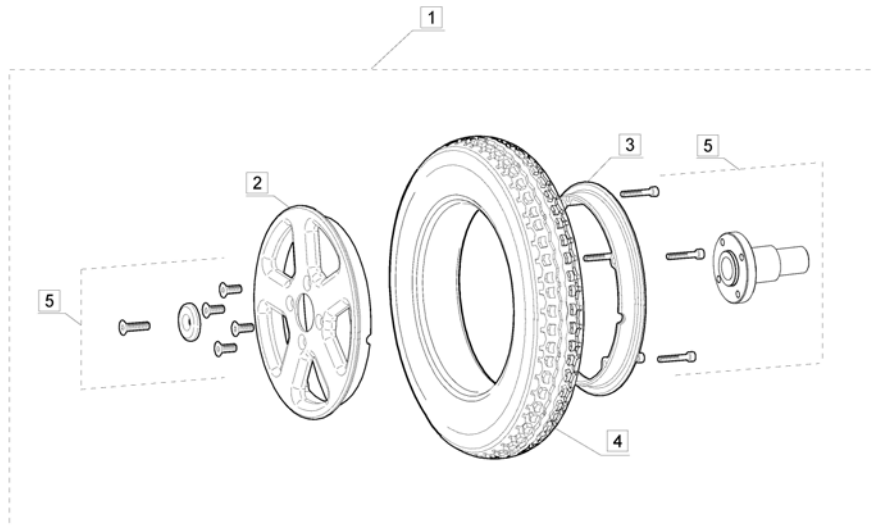


Pos.	Part number	Description	Valid from → until	Qty
1	26003706	Transverse Armrest Mounting Bracket Assembly RH		1
2	26003707	Transverse Armrest Mounting Bracket Assembly LH		1

Castor Fork Assemblies

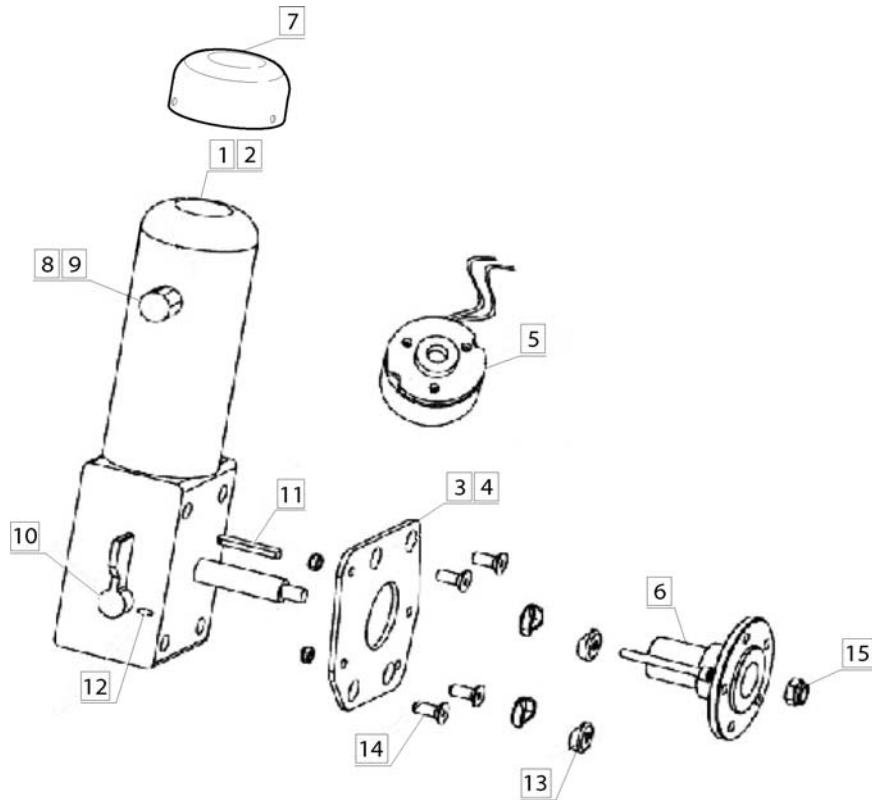


Pos.	Part number	Description	Valid from → until	Qty
1	1526795	Castor Fork Complete Assembly - Puncture Proof		1
2	1526796	Castor Fork Complete Assembly - Pneumatic		1
3	90054218	Castor Tyre 200x50 - with FLEXEL INFILL		1
5	M12001	Inner Tube - 200 x 50		1
6	23009101	Castor Wheel - 200x50 Puncture Proof		1
7	23009092	Castor Wheel - 200x50 Pneumatic		1
8	1433095	Castor Bearing		1



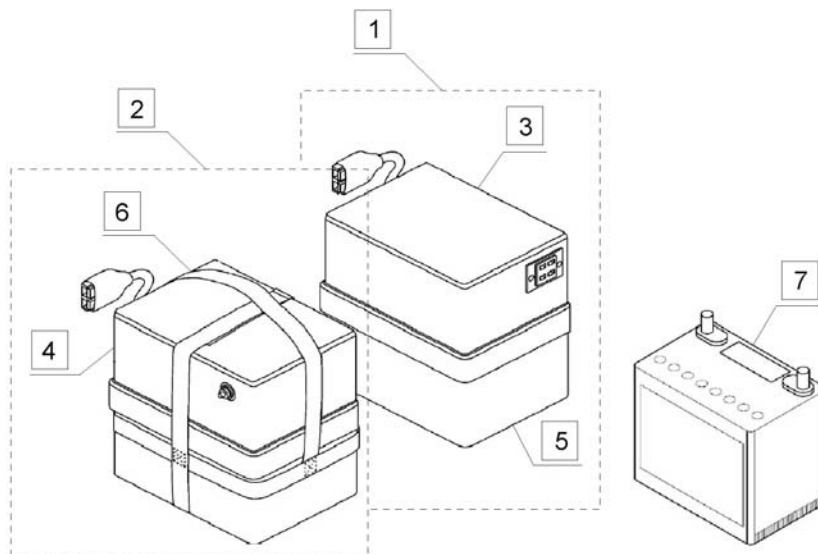
Pos.	Part number	Description	Valid from → until	Qty
1	1536909	Drive Wheel Assembly (Puncture Proof - Flexel)		1
2	1416018	Wheel Rim - Outer		1
3	1416017	Wheel Rim - Inner		1
4	23009262	Puncture Proof Infill (Complete with tyre)		1
5	1536907	Rear Wheel Assembly Kit		1

Motor and Gearbox Assembly



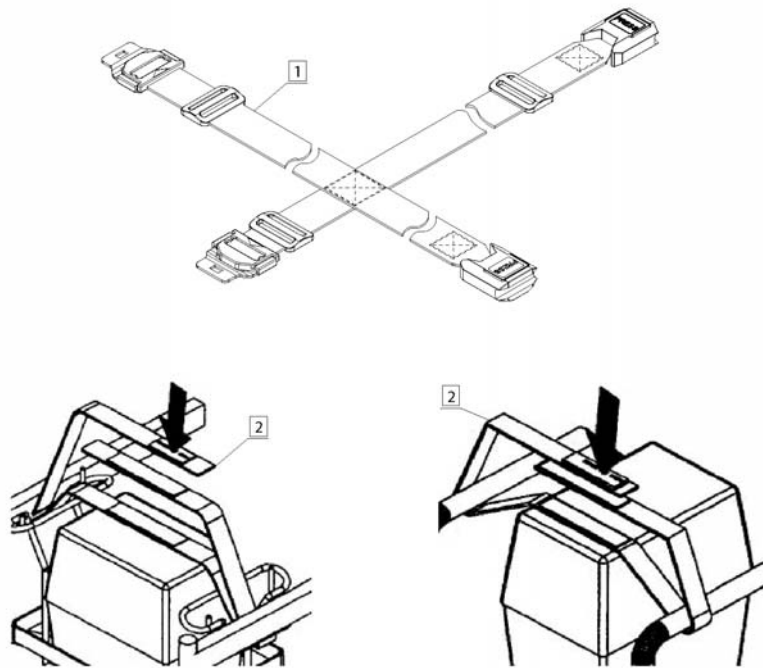
Pos.	Part number	Description	Valid from → until	Qty
1	1426268	Motor and Gearbox Assembly RH		1
2	1426269	Motor and Gearbox Assembly LH		1
3	23009222	Motor Mounting Plate RH		1
4	23009223	Motor Mounting Plate LH		1
5	1433197	Solenoid Brake		1
6	1415397	Hub		1
7	1433198	Brake Cover		1
8	26002726	Carbon Brushes (pair) - External Housing		1
9	26002727	Brush Retaining Caps - External Housing		1
10	23009232	Dis-engage Lever		1
11	23009211	Key		1
12	23009233	Spirol Pin - 3mm		1
13	2000/61	Plastic Saddle Washer		1
14	1496138	M8x25mm Countersunk Head Screw (4 off reqd.)		1
15	1449622	Nut - M10 Nylock		1

Battery Box Assemblies - 50amp



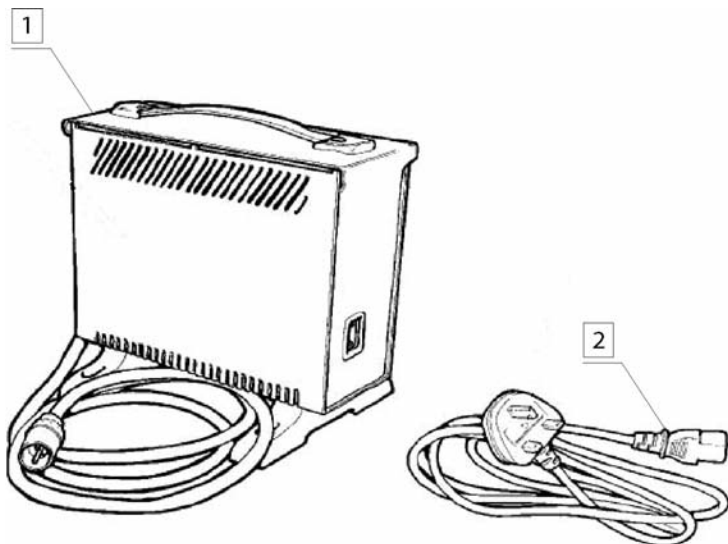
Pos.	Part number	Description	Valid from → until	Qty
1	1433111	Front Battery Box Assembly Complete - 50 Amp		1
2	1433112	Rear Battery Box Assembly Complete - 50 Amp		1
3	1426252	Battery Box Front Lid Assembly (wired)		1
4	1426251	Battery Box Rear Lid Assembly (wired)		1
5	1426248	Battery Box Lower Moulding		1
6	1433103	Battery Box Strap 50ah		1
7	PG50989	Battery 50ah		1

Transportation Straps (Batteries)



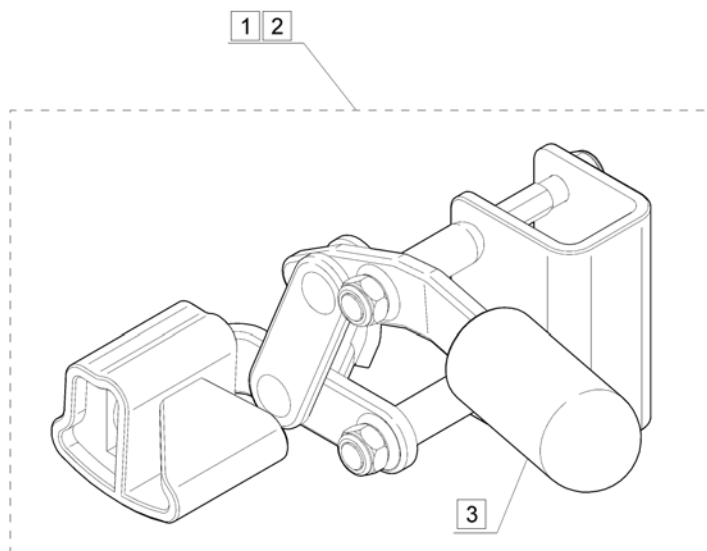
Pos.	Part number	Description	Valid from → until	Qty
1	1504358	Battery Transportation Strap		1
2	26003929	Battery Transportation Strap (Front and Rear Fitting)		1

Battery Charger

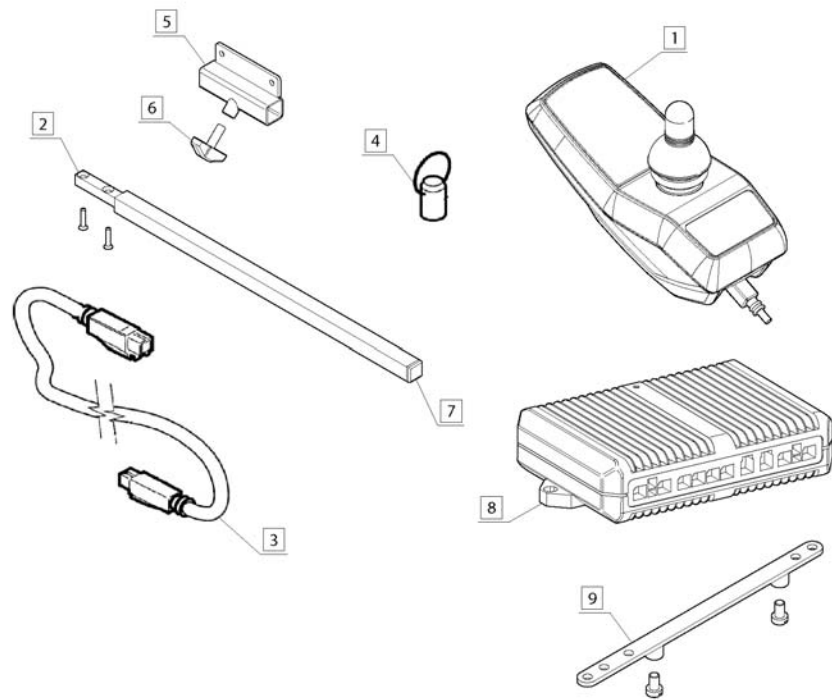


Pos.	Part number	Description	Valid from → until	Qty
1	P51031	Gel Battery Charger Unit		1
2	P90052	UK 3 Pin Mains Cord		1

Brake

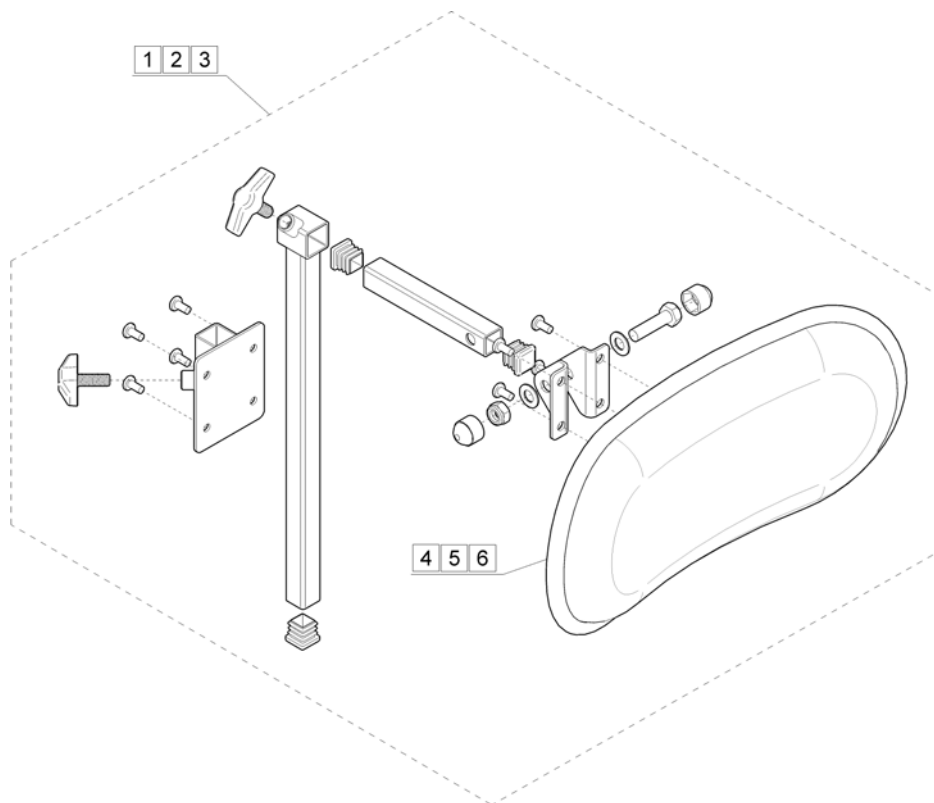


Pos.	Part number	Description	Valid from → until	Qty
1	H4/701	RH Brake Assembly		1
2	H4/703	LH Brake Assembly		1
3	H4/712	Rubber Lever Grip		1



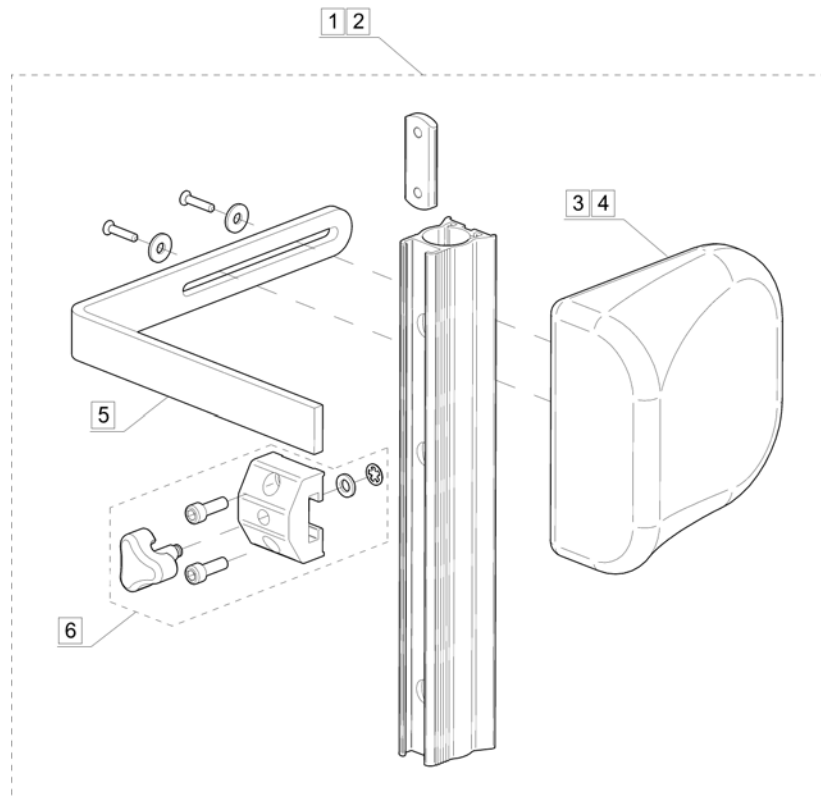
Pos.	Part number	Description	Valid from → until	Qty
1	1436541	ACS REM24SD Joystick		1
2	1441778-0205	Controller Mounting Bracket		1
3	6001827	DX Bus Cable 1.1M		1
4	P40117	Magnetic Key		1
5	23008273	Slide Mounting Tube		1
6	256099	Wing Screw - M8		1
7	L03003	End Plug - 5/8" Square		1
8	P10064	ACS Power Module (DX-PM2) 80AMP		1
9	1442249-0216	Power Module Mounting Bracket		1

Upholstered Headrest Assembly



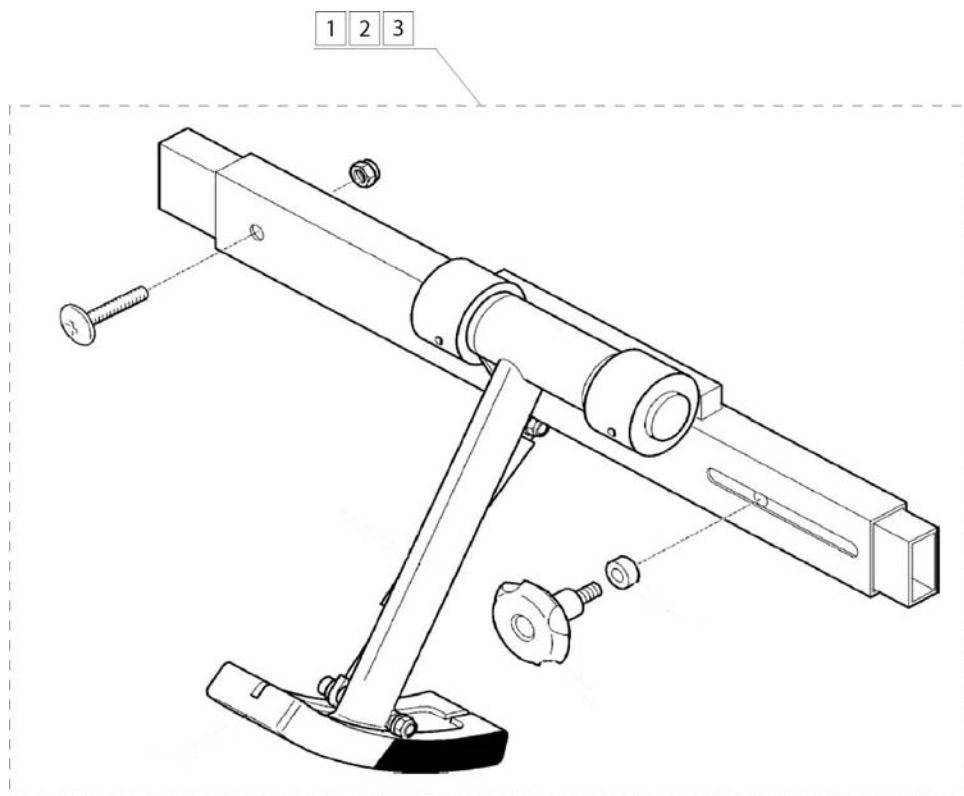
Pos.	Part number	Description	Valid from → until	Qty
1	26002200BKB	Upholstered Headrest Assembly - Black Bird		1
2	26002200BKJ	Upholstered Headrest Assembly - Black Jemima		1
3	1450781	Upholstered Headrest Assembly - Black Plush		1
4	26002210BKB	Upholstered Headrest Pad - Black Bird		1
5	26002210BKJ	Upholstered Headrest Pad - Black Jemima		1
6	1449496-0227	Upholstered Headrest Pad - Black Plush		1

Trunk Supports



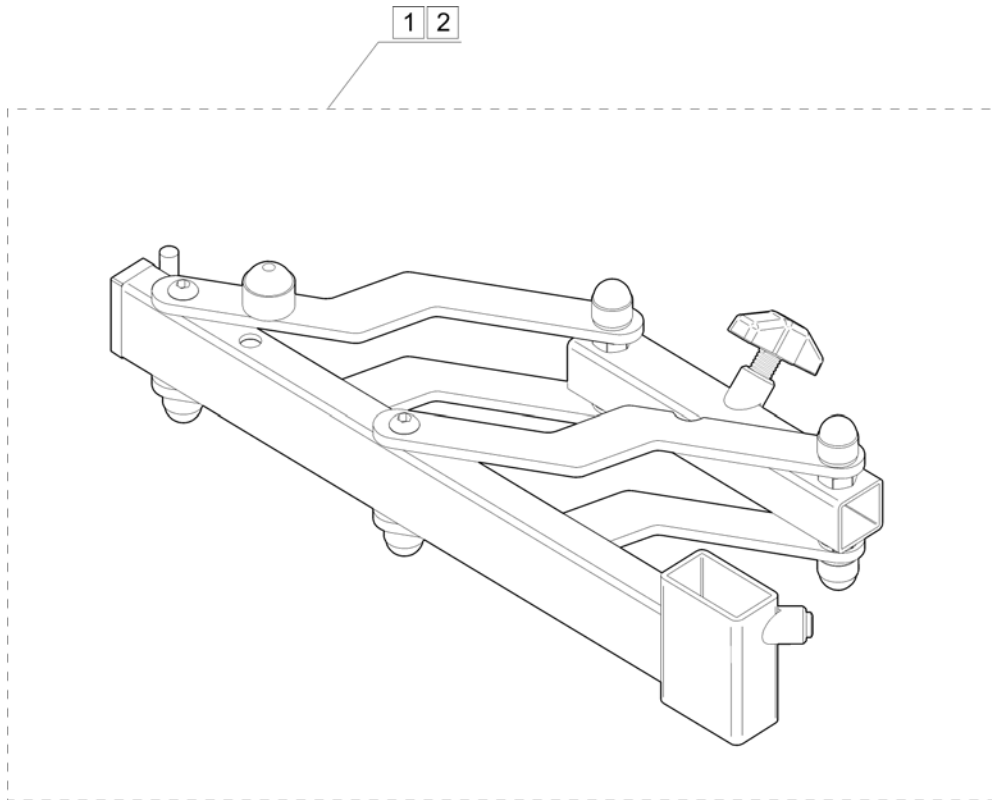
Pos.	Part number	Description	Valid from → until	Qty
1	26003232BKB	Trunk Support Assembly - Black Bird		1
2	26003232BKJ	Trunk Support Assembly - Black Jemima		1
3	26003234BKB	Support Pommel - Black Bird		1
4	26003234BKJ	Support Pommel - Black Jemima		1
5	26002331	Cushion Support Bracket		1
6	5253170	Holder Complete Trunk Support		1

Kerb Climbers



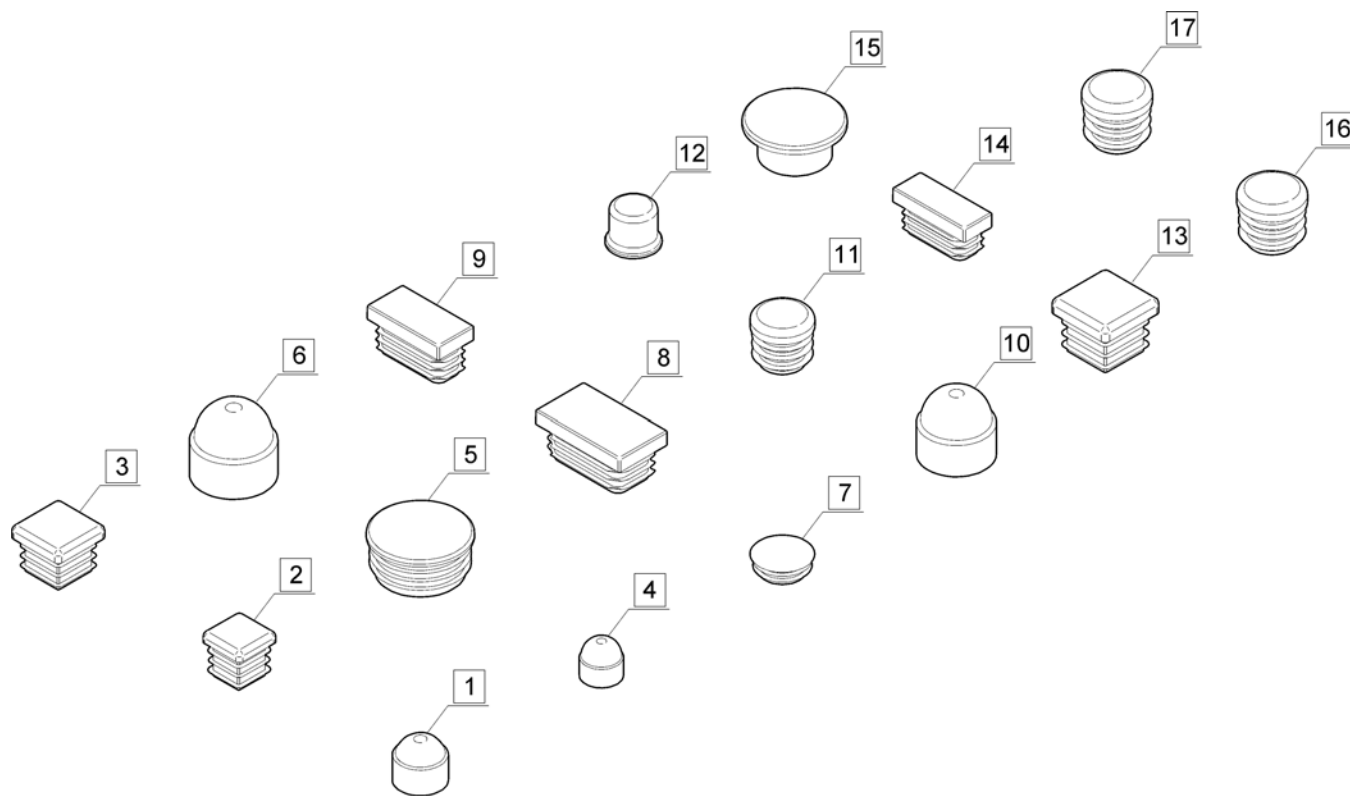
Pos.	Part number	Description	Valid from → until	Qty
1	1433072	Centre Mount Kerb Climber 46cm (18")		1
2	1433073	Centre Mount Kerb Climber 51cm (20")		1
3	1433074	Centre Mount Kerb Climber 56cm (22")		1

Swing Away Bracket Assembly



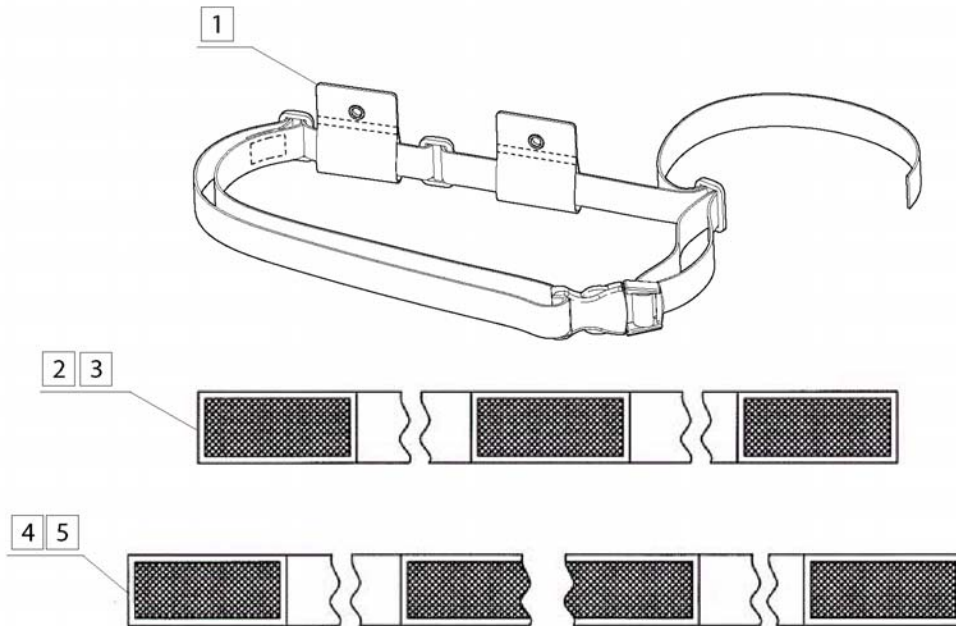
Pos.	Part number	Description	Valid from → until	Qty
1	30000220	Swing Away Bracket Assembly RH		1
2	30000221	Swing Away Bracket Assembly LH		1

Various End Caps



Pos.	Part number	Description	Valid from → until	Qty
1	1436791	End Cap - M8		1
2	L03003	End Plug - 5/8" Square		1
3	L03010	End Plug - 20mm Square		1
4	L01075	End Cap - M6		1
5	L01010	End Plug - 1 1/4"		1
6	90042168	End Cap - M12		1
7	1PIC1005	Plastic Cap - 3/4"		1
8	00959926	End Plug - 35mm x 20mm		1
9	00959925	End Plug - 30mm x 15mm		1
10	L01066	End Cap - M10		1
11	L01017	End Plug - 5/8"		1
12	L01026	Nut Cap - M8		1
13	L03001	End Plug - 1" Square		1
14	L03012	End Plug - 30mm x 10mm		1
15	1416198	End Cap		1
16	L01019	Tube End Plug 7/8"		1
17	L01018	End Plug - 3/4"		1

Strap Assemblies



Pos.	Part number	Description	Valid from → until	Qty
1	1WLS1002	Lap Belt		1
2	26004154	Battery Carrying Strap		1
3	26004204	Battery Carrying Strap		1
4	99000236	Calf Strap (Up to 20")		1
5	1522178	Calf Strap (22")		1



Yes, you can.®



Belgium & Luxemburg:

Invacare nv, Autobaan 22, B-8210 Loppem
Tel: (32) (0)50 83 10 10, Fax: (32) (0)50 83 10 11
belgium@invacare.com

Danmark:

Invacare A/S, Sdr. Ringvej 37, DK-2605 Brøndby
Tel: (45) (0)36 90 00 00, Fax: (45) (0)36 90 00 01
denmark@invacare.com

Deutschland:

Invacare Aquatec GmbH, Alemannenstraße 10, D-88316 Isny
Tel: (49) (0)75 62 7 00 0, Fax: (49) (0)75 62 7 00 66
info@invacare-aquatec.com

European Distributor Organisation:

Invacare, Kleiststraße 49, D-32457 Porta Westfalica
Tel: (49) (0)57 31 754 540, Fax: (49) (0)57 31 754 541
edo@invacare.com

España:

Invacare SA, c/Areny s/n, Polígon Industrial de Celrà, E-17460 Celrà (Girona)
Tel: (34) (0)972 49 32 00, Fax: (34) (0)972 49 32 20
contactsp@invacare.com

France:

Invacare Poirier SAS, Route de St Roch, F-37230 Fondettes
Tel: (33) (0)2 47 62 64 66, Fax: (33) (0)2 47 42 12 24
contactfr@invacare.com

Ireland:

Invacare Ireland Ltd, Unit 5 Seatown Business Campus, Seatown Road, Swords, County Dublin - Ireland
Tel: (353) 1 810 7084, fax: (353) 1 810 7085
ireland@invacare.com

Italia:

Invacare Mecc San s.r.l., Via dei Pini 62, I-36016 Thiene (VI)
Tel: (39) 0445 38 00 59, Fax: (39) 0445 38 00 34
italia@invacare.com

Nederland:

Invacare BV, Celsiusstraat 46, NL-6716 BZ Ede
Tel: (31) (0)318 695 757, Fax: (31) (0)318 695 758
nederland@invacare.com, cse@invacare.com

Norge:

Invacare AS, Grensesvingen 9, Postboks 6230, Etterstad, N-0603 Oslo
Tel: (47) (0)22 57 95 00, Fax: (47) (0)22 57 95 01
norway@invacare.com, island@invacare.com

Österreich:

Mobitec Mobilitätshilfen GmbH, Herzog Odilostrasse 101, A-5310 Mondsee
Tel: (43) 6232 5535 0, Fax: (43) 6232 5535 4
office@mobitec-austria.com, austria@invacare.com

Portugal:

Invacare Lda, Rua Estrada Velha, 949, P-4465-784 Leça do Balio
Tel: (351) (0)225 1059 46147, Fax: (351) (0)225 1057 39
portugal@invacare.com

Sverige & Suomi:

Invacare AB, Fagerstagatan 9, S-163 91 Spånga
Tel: (46) (0)8 761 70 90, Fax: (46) (0)8 761 81 08
sweden@invacare.com, finland@invacare.com

Switzerland:

Mobitec Rehab AG, Benkenstrasse 260, CH-4108 Witterswil
Tel: (41) (0)61 487 70 80, Fax: (41) (0)61 487 70 81
office@mobitec-rehab.ch, switzerland@invacare.com

United Kingdom:

Invacare Limited, Pencoed Technology Park, Pencoed, Bridgend CF35 5HZ
Switchboard Tel: (44) (0)1656 776200, Fax: (44) (0)1656 776201
Customer services Tel: (44) (0)1656 776222, Fax: (44) (0)1656 776220
UK@invacare.com