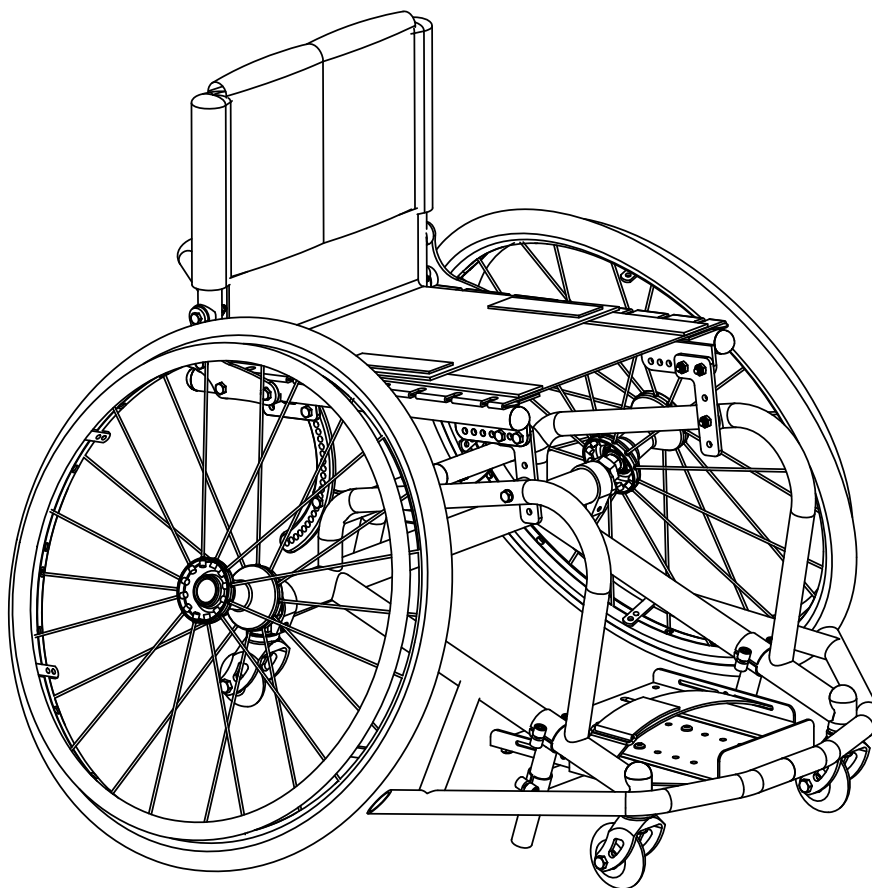




Sports and Recreation Products
4501 63rd Circle North
Pinellas Park, FL 33781
(800) 532-8677 (727) 522-8677
Fax: (727)522-1007

Invacare Top End Parts Catalog

**PRO BB
PRO TENNIS**





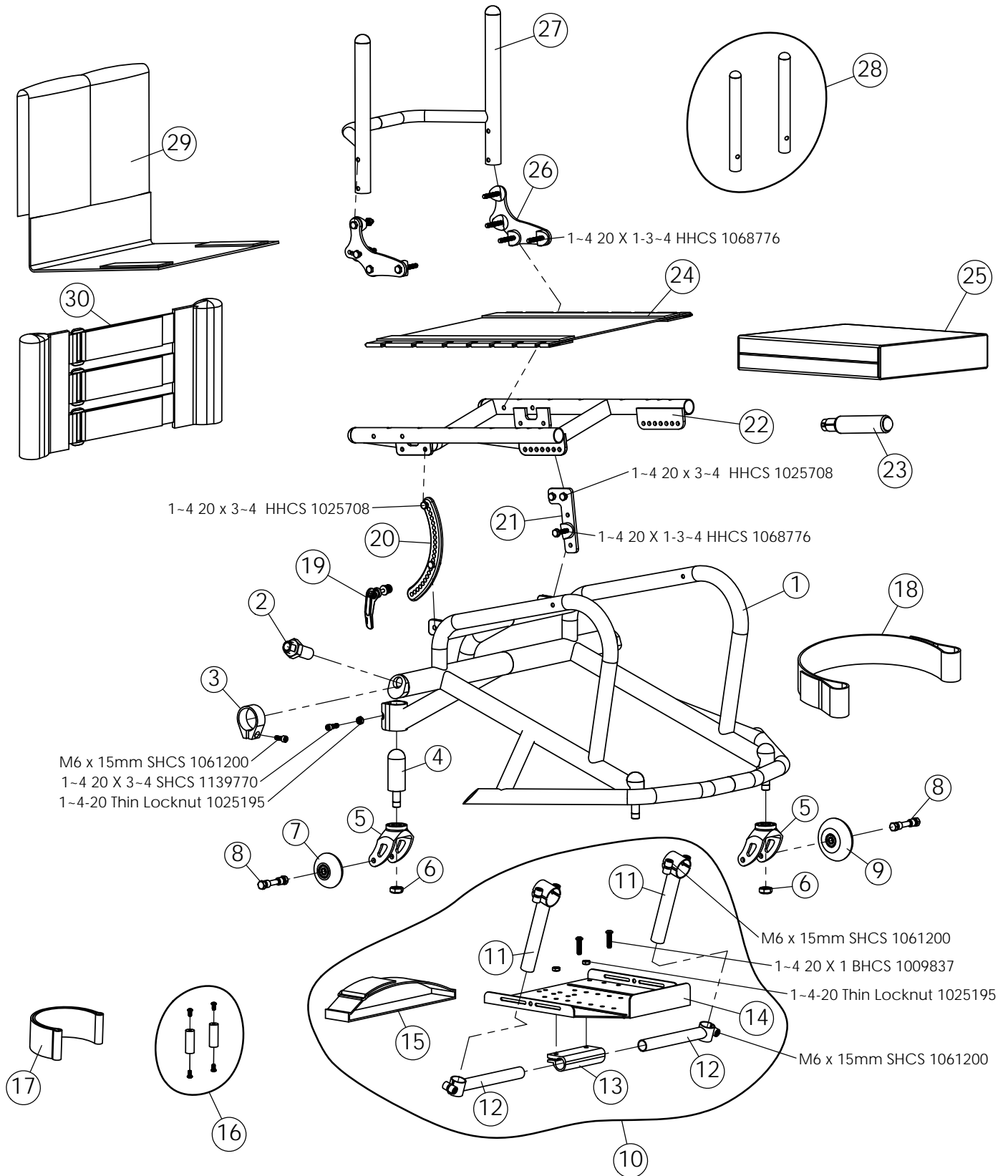
Sports and Recreation Products
 4501 63rd Circle North
 Pinellas Park, FL 33781
 (800) 532-8677 (727) 522-8677
 Fax: (727)522-1007

Parts Order Diagram

PRO BB

PRO TENNIS

Frame / Parts





Sports and Recreation Products
 4501 63rd Circle North
 Pinellas Park, FL 33781
 (800) 532-8677 (727) 522-8677
 Fax: (727)522-1007

Parts Order Diagram

PRO BB PRO TENNIS Frame / Parts

Date: _____ P.O./Customer#: _____ Ship to Customer Provider Part Tracking#: _____ (TOP END Use Only)

Provider _____	Acct# _____
Address _____	Suite _____
City _____	State _____ Zip _____
Work Phone (_____) _____	Fax _____
Cell Phone (_____) _____	
E-mail _____	

Customer _____
Address _____ Apt. _____
City _____ State _____ Zip _____
Home Phone (_____) _____
Cell Phone (_____) _____
E-mail _____

ITEM NO.	PART NUMBER	PER Chair	DESCRIPTION		ORDER QTY
1	1153247	1	Pro BB Lower Frame, Aluminum, send new complete order form	Original Serial #:	EA
	1153248	1	Pro Tennis Lower Frame, Aluminum, send new complete order form	Original Serial #:	EA
2	1145947	2	Axle Receiver, Lock Washer, Washer, Nut Assembly (Sport)		EA
3	1116530	2	Camber Clamp, Extruded		EA
4	1139782	1	Anti-tip Adjustable Height Headtube (includes fork stem)		EA
5	1145935	3	3" Insert Fork Assembly (includes fork and two bearings)		EA
6	1025737	3	Locknut 1/2"-20		EA
7	1145939	1	Anti-tip Caster (59mm) w/ Composite Hub (Bearings Included)		EA
8	1139775	3	Caster Mounting Hardware Kit		EA
9	1139783	2	3" Caster (72mm) w/ Composite Hub (Bearings Included)		EA
10	1156728	1	Platform Footrest (includes plate, hardware, mounting tubes & clamps)		EA
11	1116490	2	Footrest Clamp - vertical, recessed, 1-1/4" lower frame		EA
12	1116491	2	Footrest Clamp - horizontal, recessed	Seat Width: _____	EA
13	1139739	1	Footrest clamp		EA
14	1153152	1	Plate, Platform Footrest		EA
15	1153249	1	Strap, D-Ring Footrest (30")		EA
	1152963	1	Clickstrap (Platform) includes (1) padded ratchet strap, (2) bolts, (2) nuts		EA
16	1116577	1	Adaptive Footplate Spacer Kit (spacers & screws), <input type="checkbox"/> 2" <input type="checkbox"/> 4" <input type="checkbox"/> 6"		PR
17	1065301	2	Heel Loop (includes (1) Loop, (2) spacers, (2) screws, (2) nuts)		EA
18	1054268	1	Calf Strap, for Foot Widths: <input type="checkbox"/> 8-10" (36") <input type="checkbox"/> 10.5-13" (41") <input type="checkbox"/> 13.5+ (46")		EA
19	1083913	2	Quick Release Lever		EA
20	1156763	2	Link, Crescent Long (includes (1) Link and hardware)		EA
21	1156764	2	Seat Link, Front (includes (1) Link and hardware)		EA
22	1153250	1	Seat, Pro BB / Pro Tennis	Seat Depth: _____ Seat Width: _____	EA
23	1153277	2	Seat Extension Handle (includes handle, snap-pin, foam, plastic bushing)		EA
24	1054280	1	Screw-on Seat Upholstery	Seat Depth: _____ Seat Width: _____	EA
25	1054272	1	Soft Cushion	<input type="checkbox"/> 2" <input type="checkbox"/> 3" <input type="checkbox"/> 4" Seat Depth: _____ Seat Width: _____	EA
	1060130	1	Hard Cushion	<input type="checkbox"/> 2" <input type="checkbox"/> 3" <input type="checkbox"/> 4" Seat Depth: _____ Seat Width: _____	EA
26	1156765	2	Backrest Bracket Asm (incl: (1) Bracket, (4) bolts, (4) coved washers, (4) nuts)		EA
27	1153112	1	Frame, Backrest	Back Height: _____ XXXXXXXXXXXX Seat Width: _____	EA
28	1026971	1	Adj. Height Extensions (Pair), Folding Back with 8-11" Back Height		PR
	1026972	1	Adj. Height Extensions (Pair), Folding Back with 10-14", 12-16", 14-18", 16-20" B.		PR
29	1127960	1	Back Center	Back Height: _____ XXXXXXXXXXXX Seat Width: _____	EA
30	1153132	1	Back Anchor and Adjuster Asm	XXXXXXXXXXXX Flap Height: _____ Seat Width: _____	EA



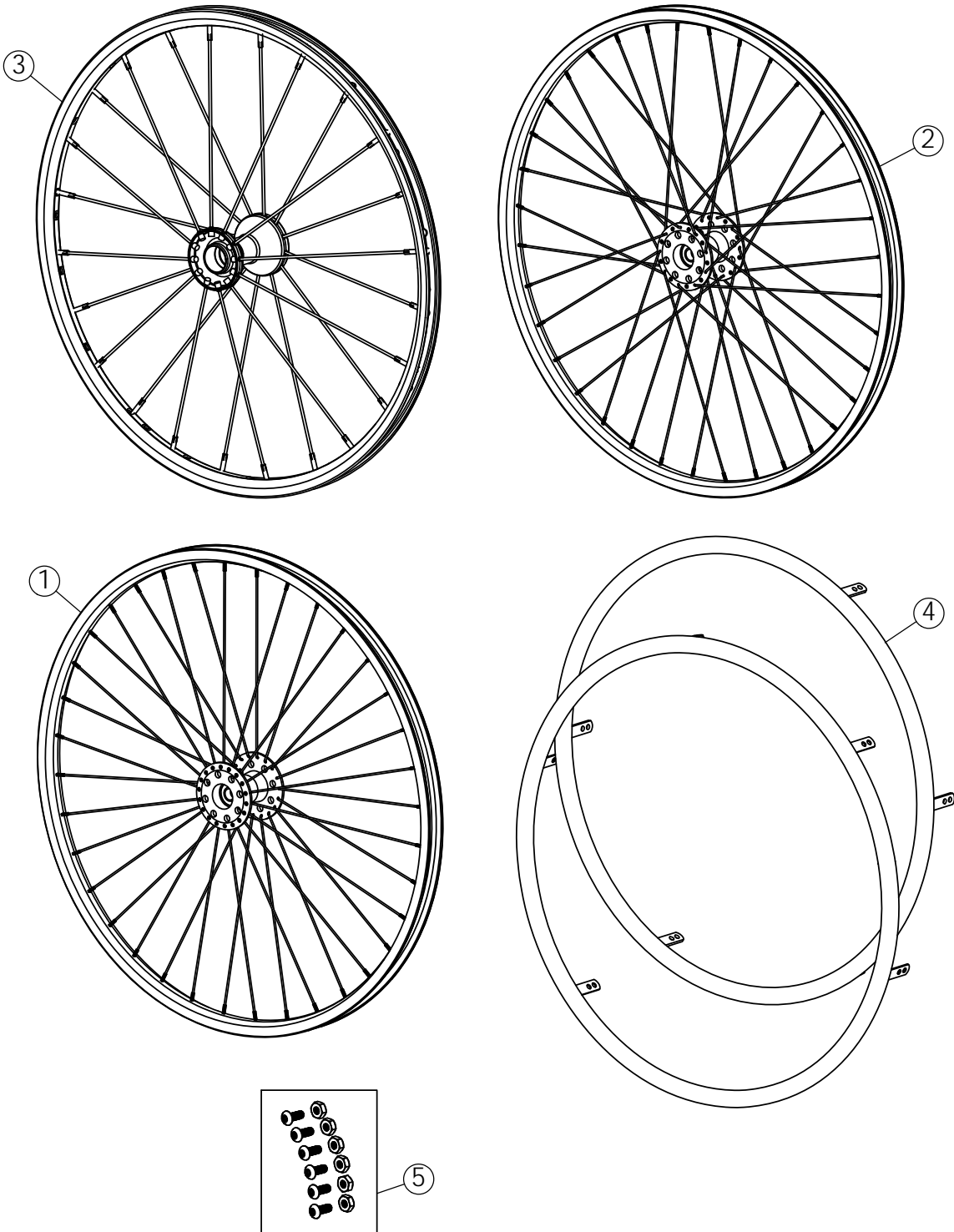
Sports and Recreation Products
4501 63rd Circle North
Pinellas Park, FL 33781
(800) 532-8677 (727) 522-8677
Fax: (727)522-1007

Parts Order Diagram

PRO BB

PRO TENNIS

Rear Wheels





Sports and Recreation Products
 4501 63rd Circle North
 Pinellas Park, FL 33781
 (800) 532-8677 (727) 522-8677
 Fax: (727)522-1007

Parts Order Diagram

PRO BB

PRO TENNIS

Rear Wheels

Date: _____ P.O./Customer#: _____ Ship to Customer Provider Part Tracking#: _____
(TOP END Use Only)

Provider _____	Acct# _____
Address _____	Suite _____
City _____	State _____ Zip _____
Work Phone (_____) _____	Fax _____
Cell Phone (_____) _____	
E-mail _____	

Customer _____
Address _____ Apt. _____
City _____ State _____ Zip _____
Home Phone (_____) _____
Cell Phone (_____) _____
E-mail _____

	ITEM NO.	PART NUMBER	PER CHAIR	DESCRIPTION	ORDER QTY	
WHEELS	1	1054054	2	24" (540) Performance Rear Wheel: Radial		EA
	2	1060134	2	24" (540) Performance Rear Wheel: Crossed		EA
	3	1060202	2	24" (540) Spinergy Sport Wide Hub <input type="checkbox"/> Yellow <input type="checkbox"/> Black <input type="checkbox"/> White <input type="checkbox"/> Red <input type="checkbox"/> Blue		EA
		1156703	2	24" (540) Spinergy SLX (4mm spoke) <input type="checkbox"/> Yellow <input type="checkbox"/> Black <input type="checkbox"/> White <input type="checkbox"/> Red <input type="checkbox"/> Blue		EA
		1054055	2	25" (559) Performance Rear Wheel: Radial		EA
		1060135	2	25" (559) Performance Rear Wheel: Crossed		EA
		1060892	2	25" (559) Spinergy Sport Wide Hub <input type="checkbox"/> Yellow <input type="checkbox"/> Black <input type="checkbox"/> White <input type="checkbox"/> Red <input type="checkbox"/> Blue		EA
		1056704	2	25" (559) Spinergy SLX (4mm spoke) <input type="checkbox"/> Yellow <input type="checkbox"/> Black <input type="checkbox"/> White <input type="checkbox"/> Red <input type="checkbox"/> Blue		EA
		1054056	2	26" (590) Performance Rear Wheel: Radial		EA
		1060136	2	26" (590) Performance Rear Wheel: Crossed		EA
HANDRIMS		1059424	2	26" (590) Spinergy Sport Wide Hub <input type="checkbox"/> Yellow <input type="checkbox"/> Black <input type="checkbox"/> White <input type="checkbox"/> Red <input type="checkbox"/> Blue		EA
		1056705	2	26" (590) Spinergy SLX (4mm spoke) <input type="checkbox"/> Yellow <input type="checkbox"/> Black <input type="checkbox"/> White <input type="checkbox"/> Red <input type="checkbox"/> Blue		EA
	4	1054083	2	24" Anodized Handrim		EA
		1054085	2	25" Anodized Handrim		EA
		1152955	2	25" Anodized Handrim, 12-tab		EA
		1054087	2	26" Anodized Handrim		EA
TIRES AND TUBES		1152956	2	26" Anodized Handrim, 12-tab		EA
	5	1145898	2	Handrim Hardware Kit (6) 10-32 x 1/2" Screws, (6) 10-32 Locknuts		EA
		1054064	2	24" (540) Primo V Track High Pressure Clincher Tire		EA
		1127915	2	24" (540) Kenda Sport Tire, Clincher, Red		EA
		1127918	2	24" (540) Kenda Sport Tire, Clincher, Yellow		EA
		1060154	2	24" (540) Tube (Presta Valve)		EA
		1054067	2	25" (559) Primo V Track High Pressure Clincher Tire		EA
		1127916	2	25" (559) Kenda Sport Tire, Clincher, Red		EA
		1127919	2	25" (559) Kenda Sport Tire, Clincher, Yellow		EA
		1060155	2	25" (559) Tube (Presta Valve)		EA
		1054066	2	26" (590) Primo V Track High Pressure Clincher Tire		EA
		1127917	2	26" (590) Kenda Sport Tire, Clincher, Red		EA
	1127920	2	26" (590) Kenda Sport Tire, Clincher, Yellow		EA	
	1054074	2	26" (590) Tube (Presta Valve)		EA	
	1061213	2	Rim Strip <input type="checkbox"/> 24" <input type="checkbox"/> 25" <input type="checkbox"/> 26"		EA	



Sports and Recreation Products
 4501 63rd Circle North
 Pinellas Park, FL 33781
 (800) 532-8677 (727) 522-8677
 Fax: (727)522-1007

Parts Order Diagram

PRO BB

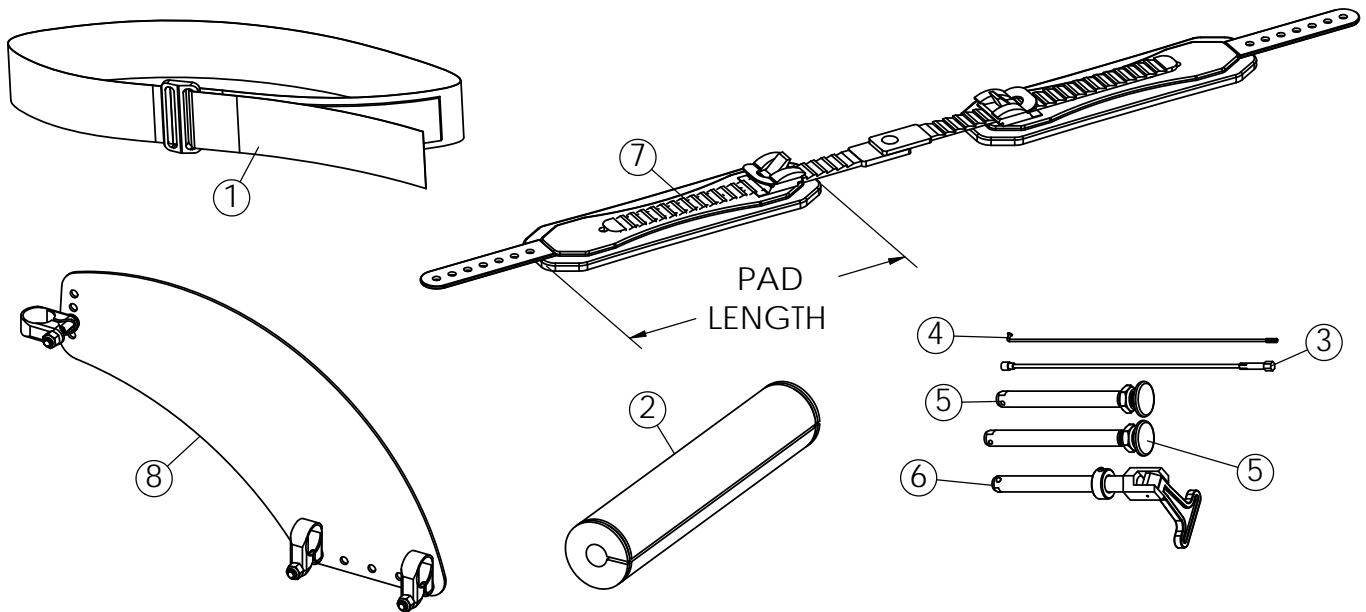
PRO TENNIS

Accessories

Date: _____ P.O./Customer#: _____ Ship to Customer Provider Part Tracking#: _____
(TOP END Use Only)

Provider _____	Acct# _____
Address _____	Suite _____
City _____	State _____ Zip _____
Work Phone (_____) _____	Fax _____
Cell Phone (_____) _____	
E-mail _____	

Customer _____
Address _____ Apt. _____
City _____ State _____ Zip _____
Home Phone (_____) _____
Cell Phone (_____) _____
E-mail _____



ITEM NO.	PART NUMBER	PER Chair	DESCRIPTION				ORDER QTY
1	1109772	1	Positioning Strap, Velcro style, Seat Width: <input type="checkbox"/> 12" - 14" <input type="checkbox"/> 15" - 18" <input type="checkbox"/> 19"+				EA
	1145900	1	Front Frame Vertical Protectors (pair)				PR
2	1146046	1	Sport Rear Frame Protector				EA
3	1060803	na	Spinergy Spox Spoke (3mm)	Wheel Size: <input type="checkbox"/> 24" <input type="checkbox"/> 25" <input type="checkbox"/> 26" <input type="checkbox"/> 700c	<input type="checkbox"/> Yellow <input type="checkbox"/> Black <input type="checkbox"/> White <input type="checkbox"/> Red <input type="checkbox"/> Blue	<input type="checkbox"/> Wide Hub <input type="checkbox"/> Narrow Hub	EA
	1156712	na	Spinergy LX/SLX Spoke (4mm)	Wheel Size: <input type="checkbox"/> 24" <input type="checkbox"/> 25" <input type="checkbox"/> 26" <input type="checkbox"/> 700c	<input type="checkbox"/> Yellow <input type="checkbox"/> Black <input type="checkbox"/> White <input type="checkbox"/> Red <input type="checkbox"/> Blue	<input type="checkbox"/> Wide Hub <input type="checkbox"/> Narrow Hub	EA
4	1059514	na	Metal Spoke	Wheel Size: <input type="checkbox"/> 24" <input type="checkbox"/> 25" <input type="checkbox"/> 26"	<input type="checkbox"/> Radial <input type="checkbox"/> Crossed		EA
5	1065303	2	Axle, Quick Release, Standard for Narrow Hub				EA
	1060140	2	Axle, Quick Release, Standard for Spinergy Wide Hub				EA
	1060842	2	Axle, Quick Release, Titanium for Narrow Hub				EA
	1060843	2	Axle, Quick Release, Titanium for Spinergy Wide Hub				EA
6	1043487	2	Axle, Quad Release, Standard				EA
7	1152963	1	Click Strap Set, 8" Pad Length (Small)				EA
	1152964	1	Click Strap Set, 10" Pad Length (Medium)				EA
	1152965	1	Click Strap Set, 12" Pad Length (Large)				EA
8	1153020	2	Clamp-On Side Guard, includes: (1) panel, (3) clamps w/ hardware				EA