

## *Spare Parts Catalogue*

---

Version: 2009/08/25a EN



*Invacare*® **PRONTO M61**



**Yes, you can.®**

## **General Information**

*For any order of spare parts the following information is required:*

- Product type*
- Product name & model*
- Serial Number*
- Part-Number*
- Part-Description*

*Exploded view drawings and code numbers are not contractual and subject to modification, in relation to Invacare® continuous product improvement policy to meet end users needs.*

*The reproduction or use of this work, or of any substantial part of this work, in any form or by any electronic, mechanical or other means, including photocopying, scanning and recording, and in any information storage and retrieval system, including electronic transmission, is forbidden without the prior written permission of Invacare® International Sarl.*



Yes, you can.®

## TABLE OF CONTENTS

---

### Information

User Manual Pronto M61 .....	5
------------------------------	---

### Chassis

Chassis .....	6
Lifter .....	7
Side Shrouds .....	8
Shrouds .....	9

### Seat & Supports

Van-Seat & Support .....	10
Seatframe .....	11

### Backrest

Backpost Support Assembly for adjustable back .....	12
Backpost Support Assembly for fixed back, manual .....	13
Backpost Support Assembly for manual adjustment .....	14
Backrest Upholstery for Fixed Backplate .....	15
Tension Adjustable Canvas .....	16

### Legrests/Hangers

Hanger 70 Deg, Standard .....	17
Hanger 70 Deg, Junior .....	18
Hanger 90 Deg, Adjustment .....	19
Hanger Angle, Adjustment .....	20
Elevating Legrest Manual .....	21
Legrests Swing-Away .....	22
Hanger for 80° Legrest .....	23

### Footplates / Support Tubes

Central Footplate .....	24
Footplate for Van-Seat .....	25
Footplate & Extensions .....	26

### Siderests

Armrests Van-Seat .....	27
Padded Armrest .....	28
Armlehne Ergonomic .....	29

### Wheel suspension

Walking Beam front .....	30
Tyres & Wheelforks .....	31

### Propulsion

Motor & Drive Wheel .....	32
---------------------------	----



**Yes, you can.<sup>®</sup>**

## **TABLE OF CONTENTS**

---

### **Control Units**

Control Units & Holder .....	33
Remote fixation Swing Away (Van-Seat) .....	34
Remote fixations .....	35
Guiding Rod for Joystick-Box .....	36

### **Cable / Charger**

Cable & Batteries .....	37
Powermodul & Charger .....	38

### **Safety Options**

Retaining Belt .....	39
----------------------	----

### **Seating Options**

Trunk Support .....	40
Seat Cushions .....	41
Headrest .....	42
Headrest Contour, Firm-Seat .....	43
Tray Table .....	44

### **Other Options / Accessories**

Crutch/ Cane Holder .....	45
---------------------------	----

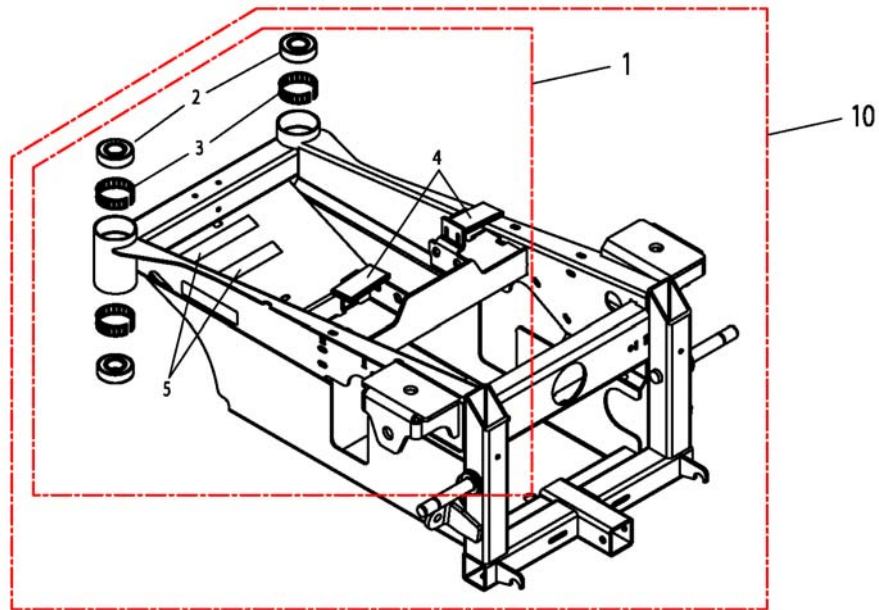
**User Manual Pronto M61**

CS	ČESKY	FR	FRANÇAIS	PL	POLSKI
DA	DANSK	HR	HRVATSKI	PT	PORTUGUÊS
DE	DEUTSCH	HU	MAGYAR	SK	SLOVENČINA
EN	ENGLISH	IT	ITALIANO	SL	SLOVENŠČINA
ES	ESPAÑOL	LT	LIETUVIŲ KALBA	SV	SVENSKA
ET	EESTI KEEL	NL	NEDERLANDS	RO	ROMÂNĂ
FI	SUOMEN KIELI	NO	NORSK	JA	日本語

Pos.	Part number	Description	Valid from → until	Qty
DE	1511874	User Manual Seatunit M61 German		1
EN	1511875	User Manual Seatunit M61 English		1

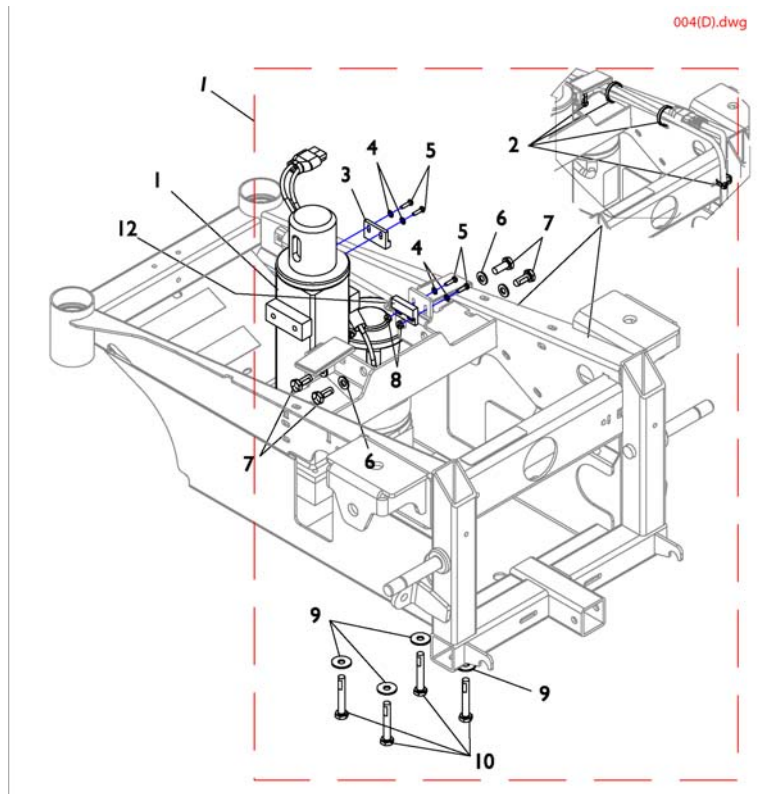
# Chassis

001(A).dwg



Pos.	Part number	Description	Valid from → until	Qty
1	1127300	Frame hardware Kit <i>Includes items 2-5</i>		1
10	1127268	Frame Assembly, Elevating Seat <i>Includes items 2-5</i>		1

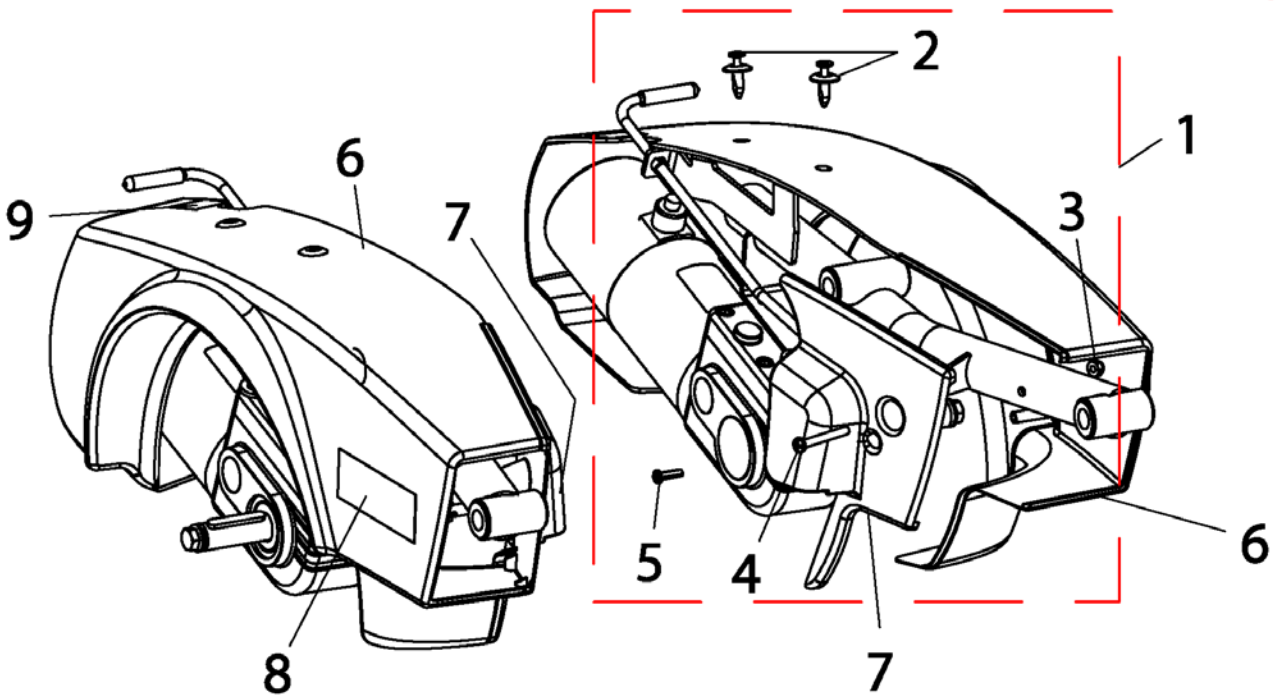
# Lifter



Pos.	Part number	Description	Valid from → until	Qty
1	1127303	Kit, Elevating Actuator Hardware <i>Includes items 1-10</i>		1
11	1127262	Actuator, Elevating Pivot		1
12	1127290	Harness, Proximity Sensor		1

## Side Shrouds

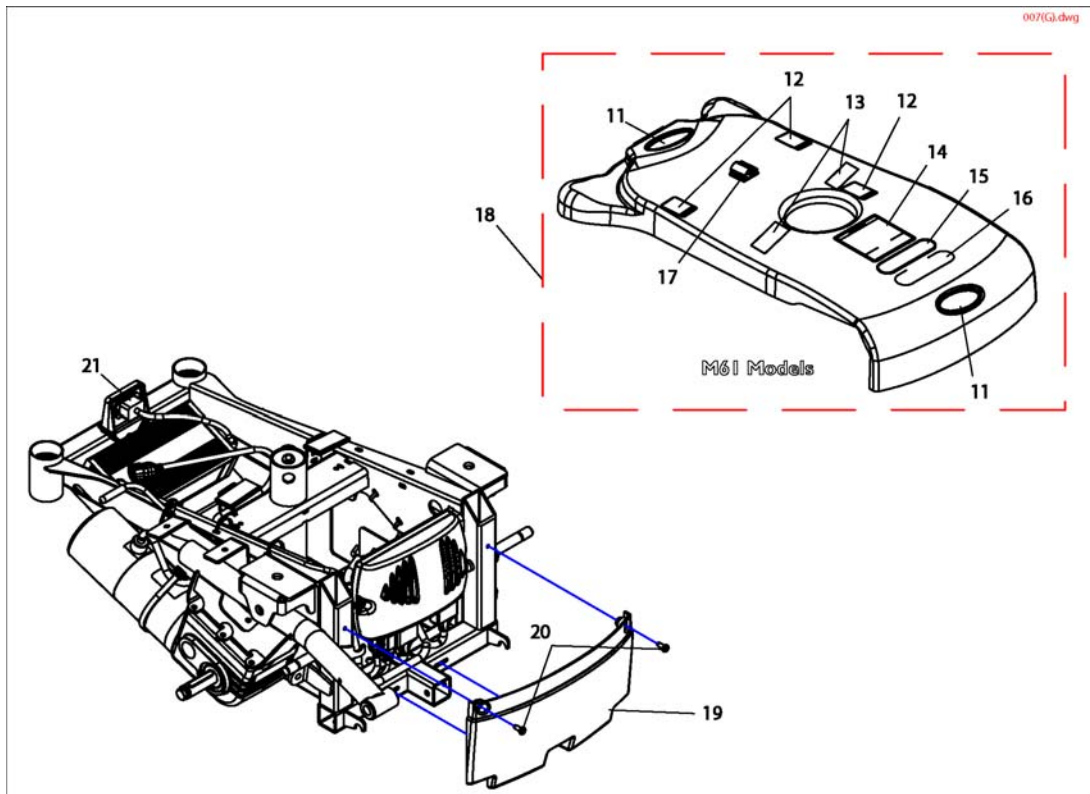
006(F).dwg



Pos.	Part number	Description	Valid from → until	Qty
1	1127709	Kit, Side and Inner Shroud Hardware <i>Includes items 2-5</i>		1
6	1127332	Side shroud red / right		1
6	1127333	Side shroud red / left		1
6	1127334	Side shroud blue / right		1
6	1127335	Side shroud blue / left		1
8	1127292	Decal, Shroud M61		1
9	1104797	Dis - engaging information label		1

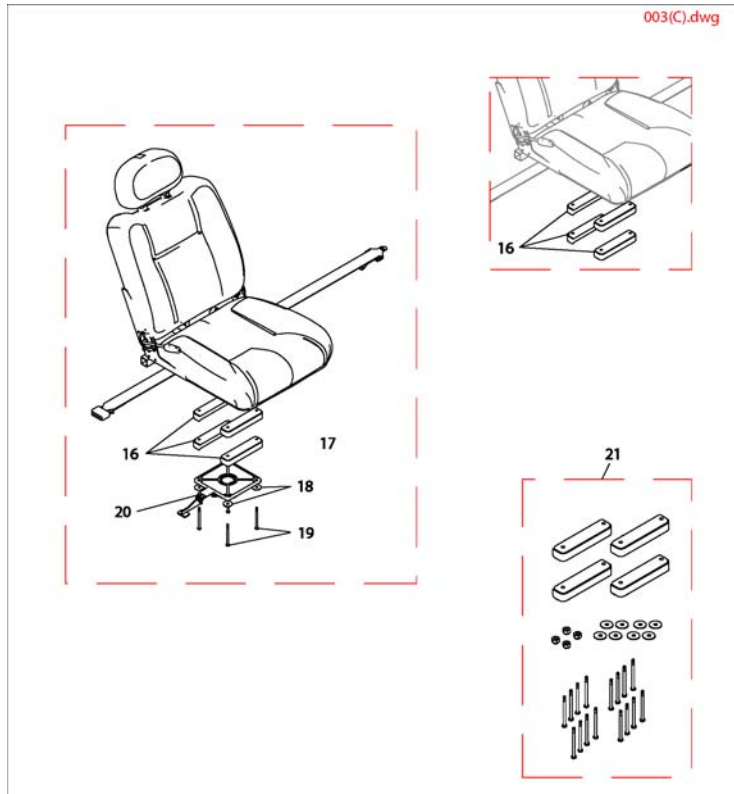


# Shrouds



Pos.	Part number	Description	Valid from → until	Qty
11	1095489	Decal, Invacare 3-D Logo (2-1/2 L)"		1
12	1079203	Information label 'Warning pinch point' (UK)		1
13	1070509	Fastener, Loop with Adhesive Back (1 Wide		1
17	1127276	Clip, Wire with Adhesive Back		1
18	1127275	Top shroud Assembly <i>Includes items 11-17</i>		1
19	1127383	Shroud, Front		1
20	1028484	Screw, Phillips Pan Head Tap (		1
21	1488589	Charger Plug Cap 35x25x1 1,5 (Only for France)		1

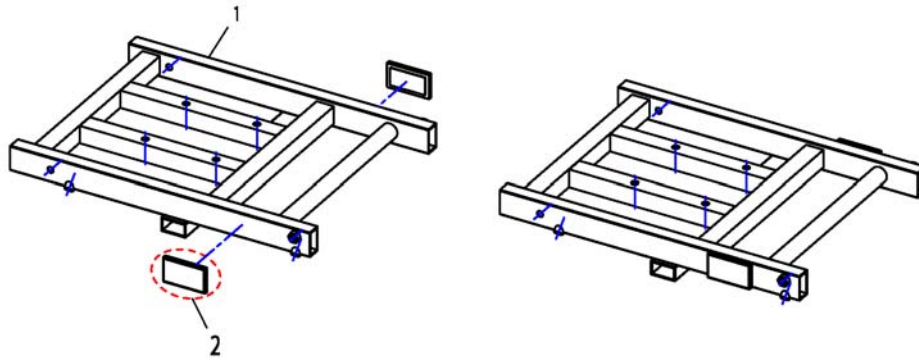
# Van-Seat & Support



Pos.	Part number	Description	Valid from → until	Qty
6	1127716	Van seat office vinyl charcoal grey <i>Includes items 7-13</i>		1
7	1127314	Backrest Extension, Office Style Van Seat		1
8	1034625	20" Wide Chair Strap		1
9	1127312	Package, Adjustment Knobs		1
10	1127311	Package, Screws Socket Head Cap w/ Patch (1/4-20 x 3/4 )" <i>Kit, will include 4 Screws</i>		1
11	1116413	Pivot, Seat		1
12	1092409	Washer, Steel (5/16 x 1-1/4 x 1/16 )"		1
13	1118458	Screw, Hex Head Cap (1/4-20 x 1-3/8 )"		1
14	1139642	Kit, Seat Angle Bracket		1
16	1134660	Spacer, Seat		1
21	1136490	Kit, Seat Spacer Retro-fit Kit		1

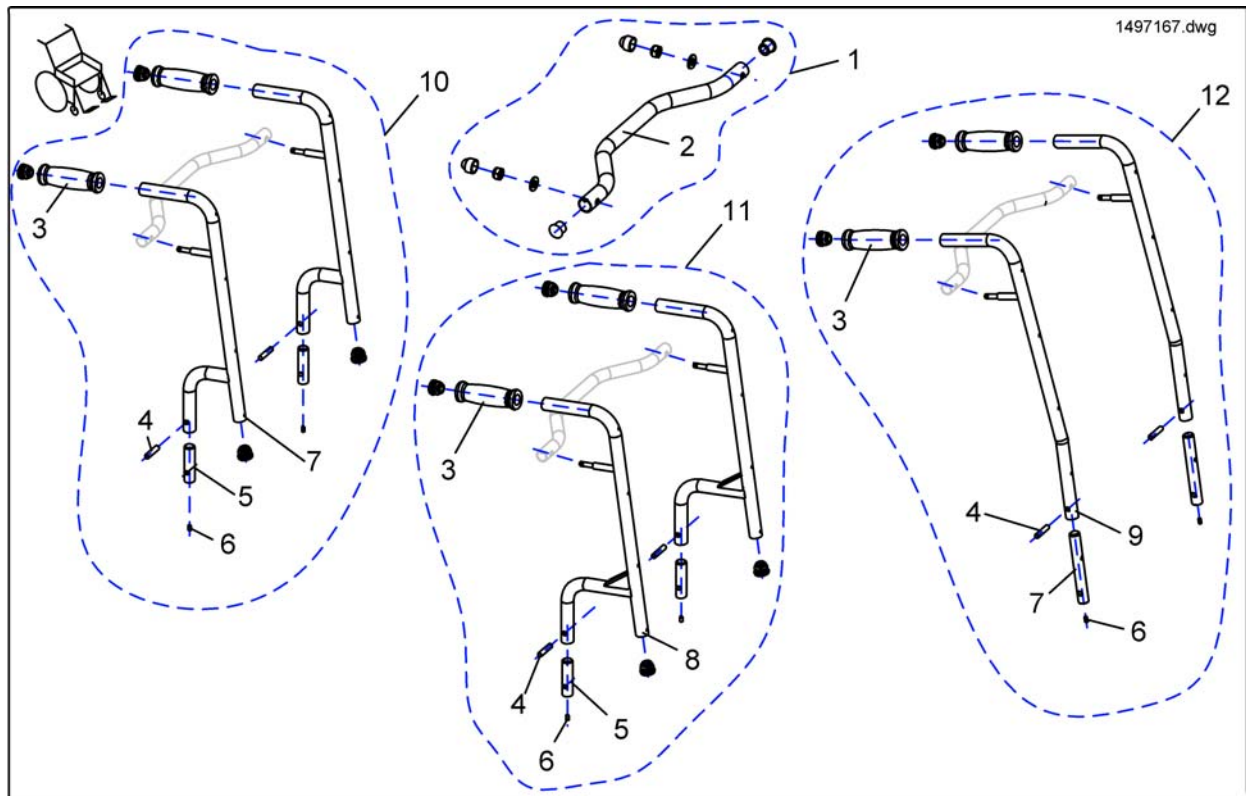
# Seatframe

1511904X.dwg



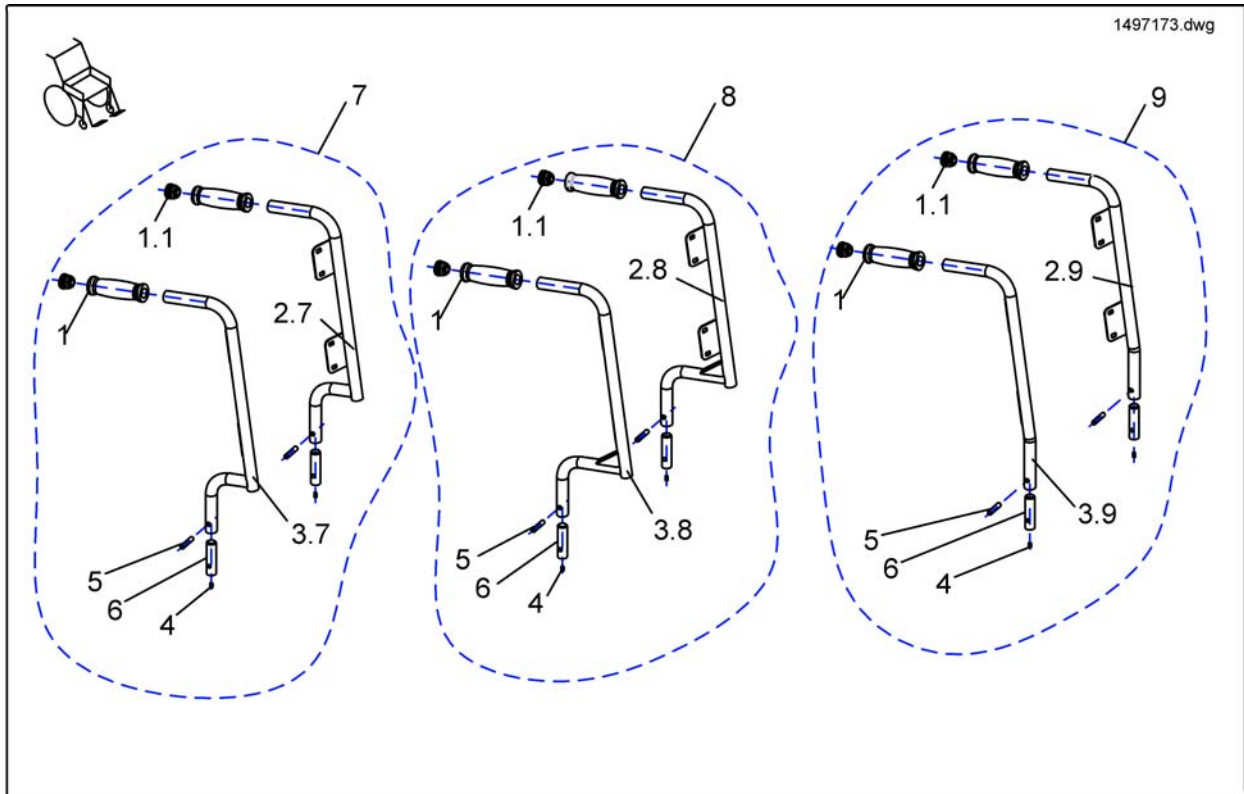
Pos.	Part number	Description	Valid from → until	Qty
1	1511333-9005	Seatframe SB33		1
1	1511332-9005	Seatframe SB38		1
1	1511061-9005	Seatframe SB43		1
2	SPP31298	Reflector, yellow		1
3	1139642	Kit, Seat Angle Bracket		1

## Backpost Support Assembly for adjustable back



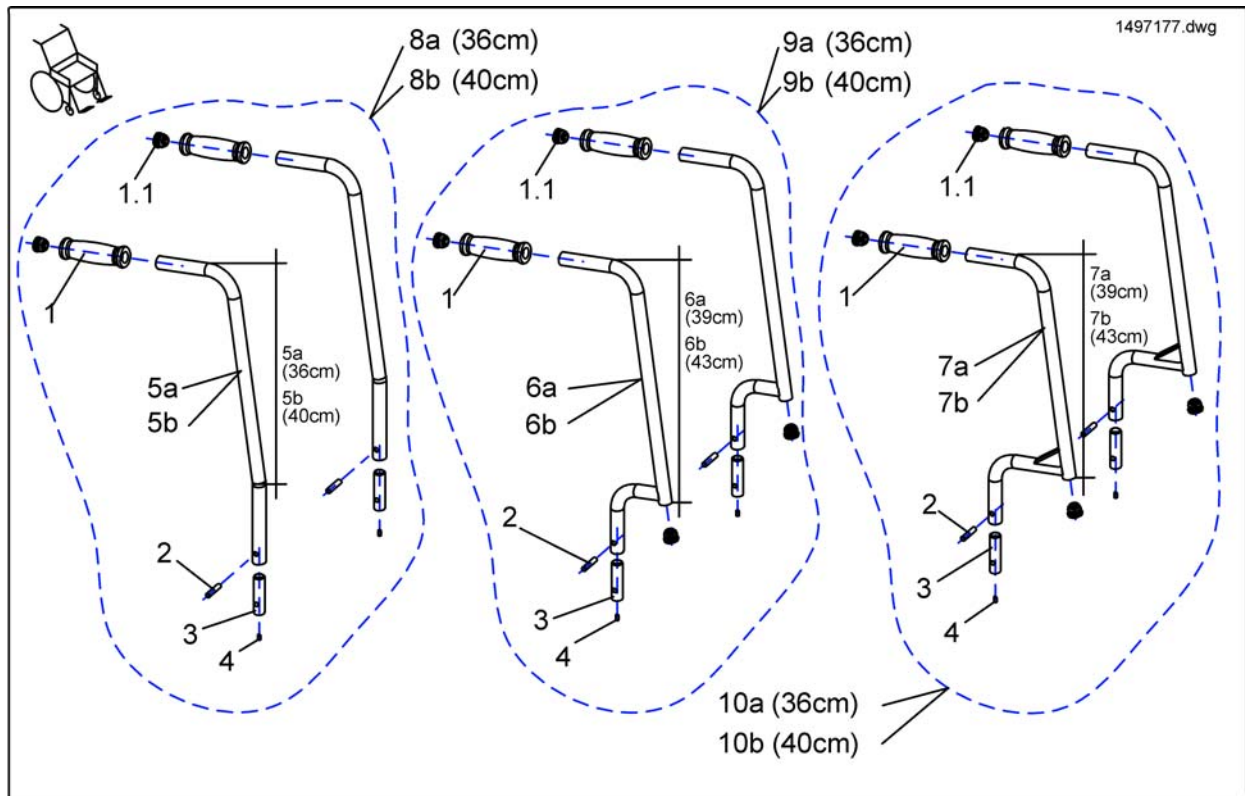
Pos.	Part number	Description	Valid from → until	Qty
1	SP1497171	Crossbar, cpl. SW 43cm		1
1	SP1497170	Crossbar, cpl. SW 38cm		1
1	SP1497169	Crossbar, cpl. SW 33cm		1
2	1422457-0205	Crossbar SW38cm		1
2	1422456-0205	Crossbar SW33cm		1
2	1422458-0205	Crossbar SW43cm		1
3	L10033	Cover Push Handle		2
4	90370401	Mills Pin 8 X 36 Pinco Gp.5		2
5	20001132	Reinforcing Plug MK2 (B) Backpost		2
6	00007986	Grub Screw M5x10 Cup Knurl		2
7	1422459-0205	Seattube SD 35/38cm		2
7	00007986	Grub Screw M5x10 Cup Knurl		2
8	1422460-0205	Seattube SD 30/33cm		2
9	1422461-0205	Seattube SD 44/48cm		1
10	SP1497167	Seattube SD 35/38cm, cpl.		1
11	SP1497166	Seattube SD 30/33cm, cpl.		1
12	SP1497168	Seattube SD 44/48cm, cpl.		1

## Backpost Support Assembly for fixed back, manual



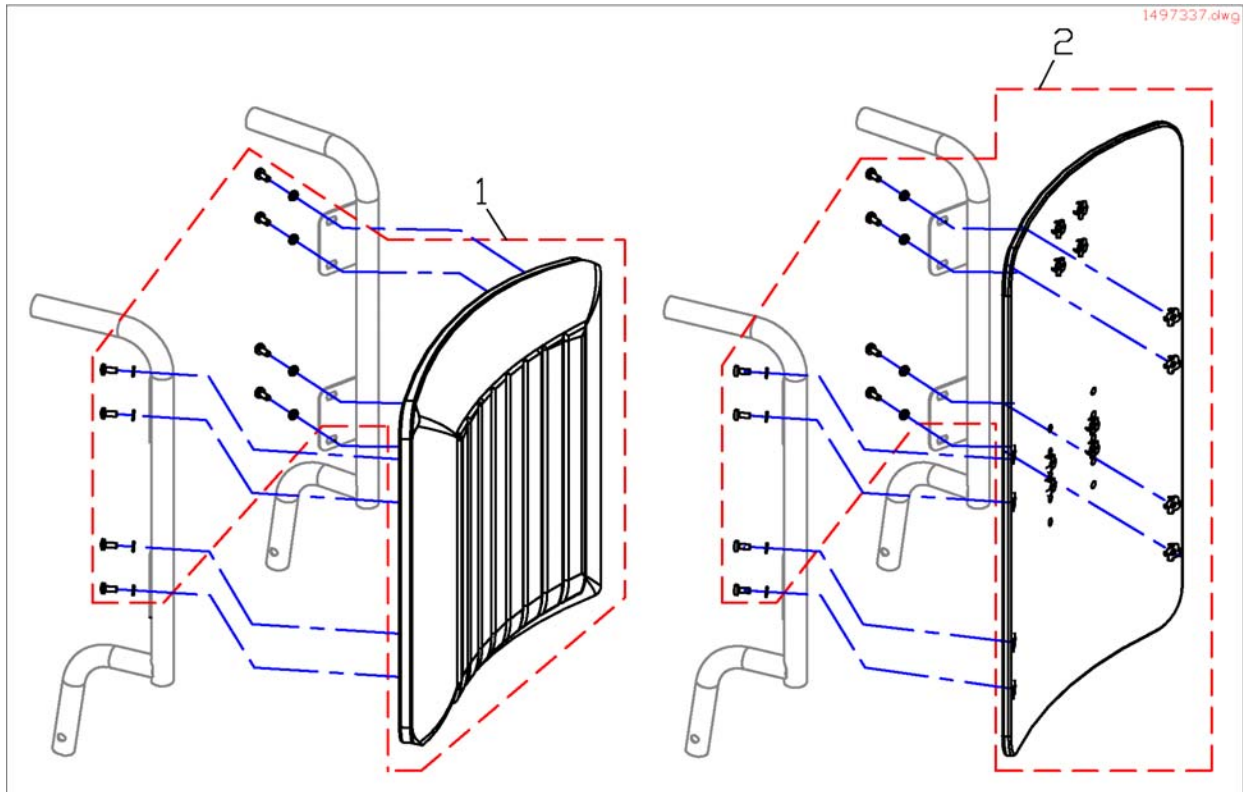
Pos.	Part number	Description	Valid from → until	Qty
1	L10033	Cover Push Handle		2
1.1	5816421	Plug for Ø22 Tube		2
2.7	26003057	Backrest support SD 35/38cm LH		1
2.8	26003067	Backrest support SD 30/33cm LH		1
2.9	28000137	Backrest support SD 44/48cm LH		1
3.7	26003056	Backrest support SD 35/38cm RH		1
3.8	26003066	Backrest support SD 30/33cm RH		1
3.9	28000136	Backrest support SD 44/48cm RH		1
4	00007986	Grub Screw M5x10 Cup Knurl		2
5	90370401	Mills Pin 8 X 36 Pinco Gp.5		2
6	20001132	Reinforcing Plug MK2 (B) Backpost		2
7	SP1497174	Backrest Tube SD 35/38cm, cpl.		1
8	SP1497173	Backrest Tube SD 30/33cm, cpl.		1
9	SP1497175	Backrest Tube SD 44/48cm, cpl.		1

## Backpost Support Assembly for manual adjustment



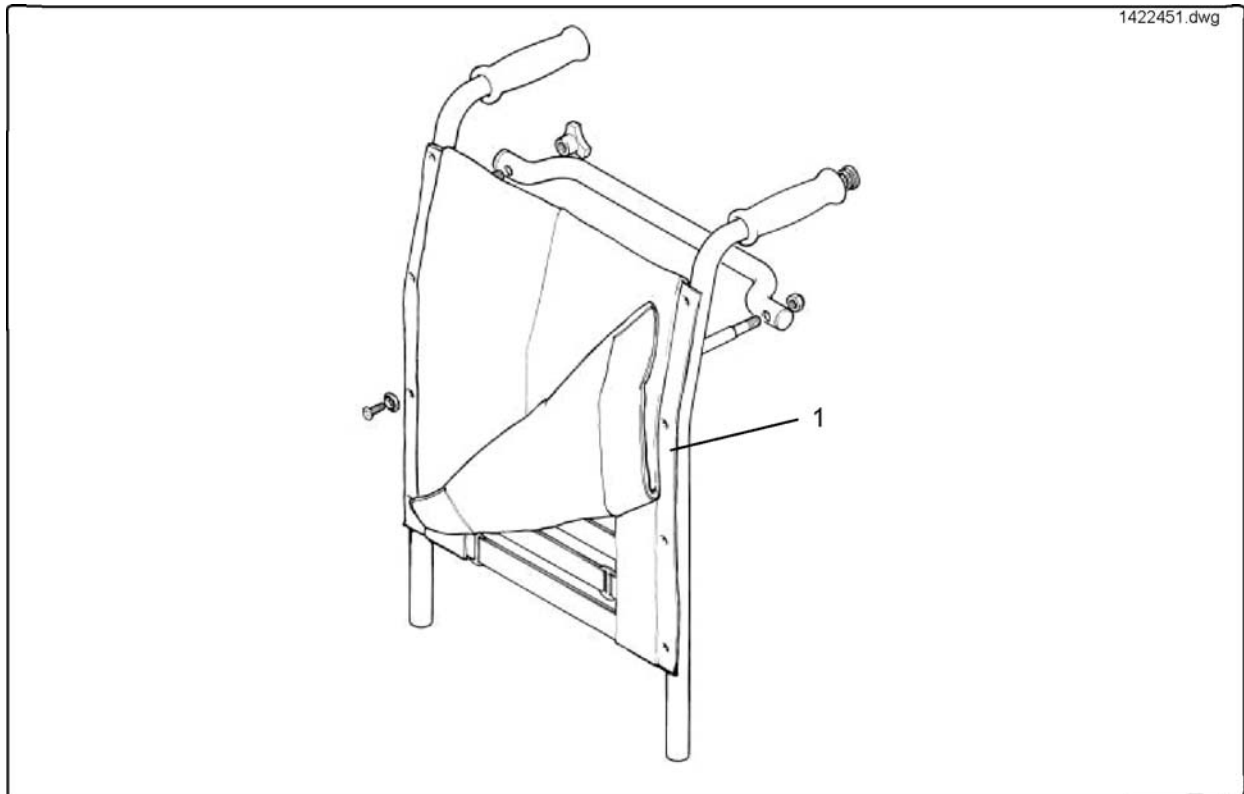
Pos.	Part number	Description	Valid from → until	Qty
8a	SP1497179	Swan Backpost SD 44/48 (short), cpl.		1
10b	SP1497180	Swan Backpost SD 30/33 (long), cpl.		1
8b	SP1497217	Swan Backpost SD 44/48 (long), cpl.		1
9b	SP1497202	Swan Backpost SD 35/38 (long), cpl.		1
6a	26002856	Backpost SD 35/38cm (short)		1
7a	26002857	Backpost SD 30/33cm (short)		1
5b	1422365-0205	Backpost SD 44/48cm (long)		1
6b	1422364-0205	Backpost SD 35/38cm (long)		1
7b	1422363-0205	Backpost SD 30/33cm (long)		1
10a	SP1497177	Swan Backpost SD 30/33 (short), cpl.		1
9a	SP1497178	Swan Backpost SD 35/38 (short), cpl.		1
1	L10033	Cover Push Handle		2
2	90370401	Mills Pin 8 X 36 Pinco Gp.5		2
3	20001132	Reinforcing Plug MK2 (B) Backpost		2
4	00007986	Grub Screw M5x10 Cup Knurl		2
1.1	5816421	Plug for Ø22 Tube		4

## Backrest Upholstery for Fixed Backplate



Pos.	Part number	Description	Valid from → until	Qty
1	SP1497333	Back Cushion SW33 / BH43, black Jemima		1
2	SP1497335	Back Cushion SW38 / BH43, black Jemima		1
3	SP1497336	Back Cushion SW38 / BH57, black Jemima		1
4	SP1497337	Back Cushion SW43 / BH43, black Jemima		1
5	SP1497338	Back Cushion SW43 / BH57, black Jemima		1
6	SP1497363	Backboard SW 38cm, cpl.		1
7	SP1497364	Backboard SW 43cm, cpl.		1

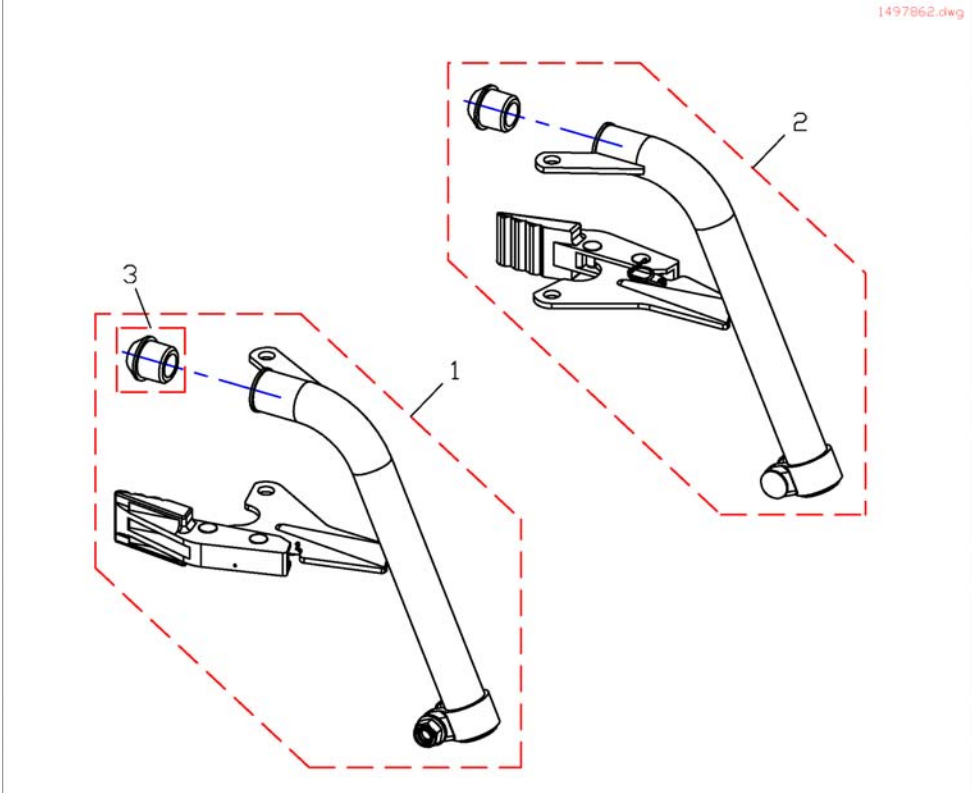
## Tension Adjustable Canvas



Pos.	Part number	Description	Valid from → until	Qty
1	1422451-0207	Tension Adjustable Backrest Upholstery - Black Nylon Only, 33cm		1
1	1422452-0207	Tension Adjustable Backrest Upholstery - Black Nylon Only, 38cm		1
1	1422453-0207	Tension Adj.Back Nylon 43cm		1

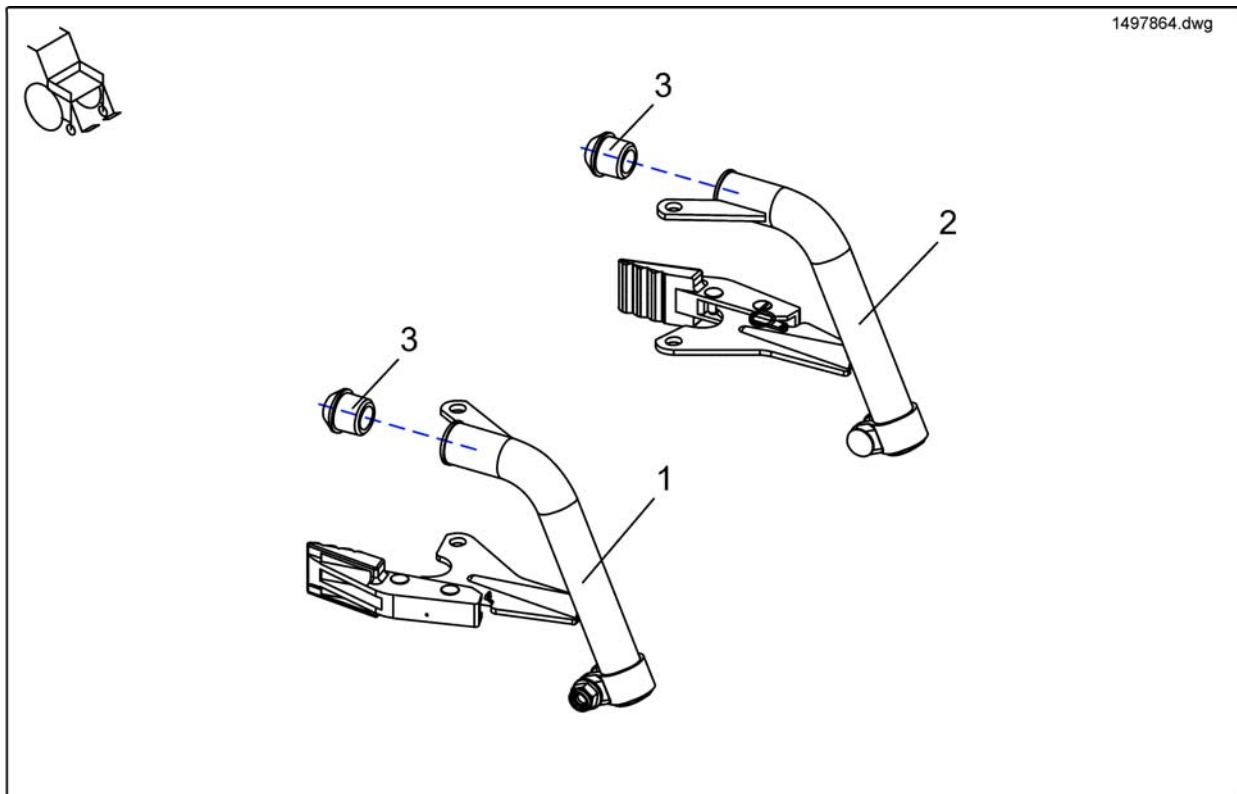


# Hanger 70 Deg, Standard

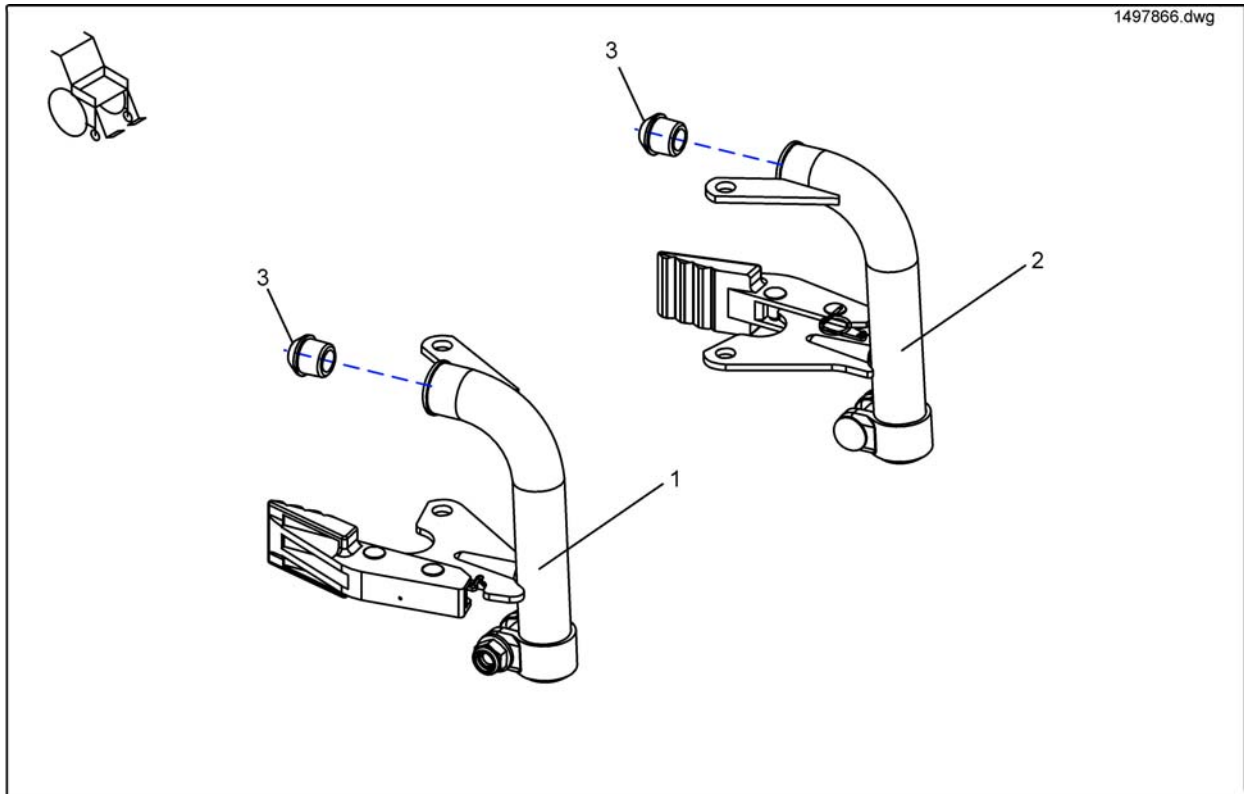


Pos.	Part number	Description	Valid from → until	Qty
1	SP1497862	Hanger 70 Deg, Standard, RH cpl.		1
2	SP1497827	Hanger 70 Deg, Standard, LH cpl.		1
3	5007790	Rubber pin		1

# Hanger 70 Deg, Junior

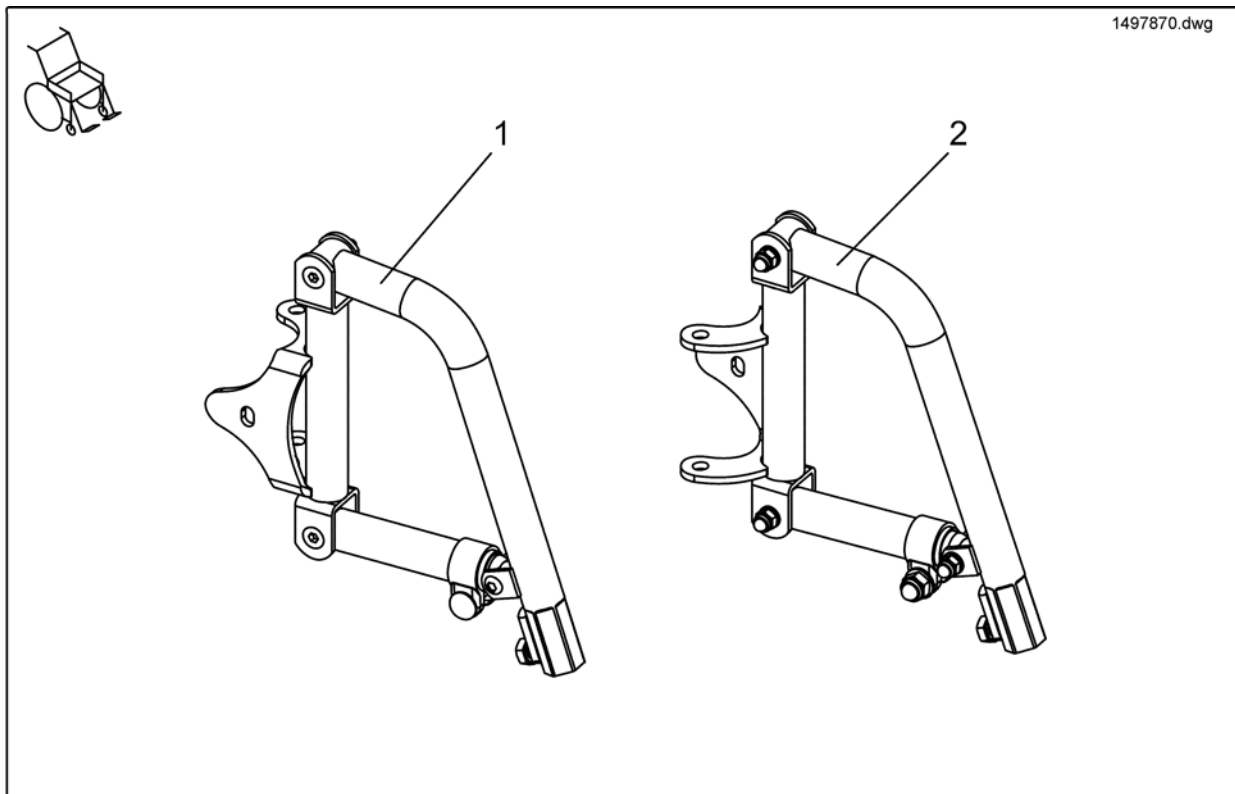


Pos.	Part number	Description	Valid from → until	Qty
1,3	SP1497864	Hanger 70 Deg, Junior, LH cpl.		1
2,3	SP1497863	Hanger 70 Deg, Junior, RH cpl.		1
3	5007790	Rubber pin		1

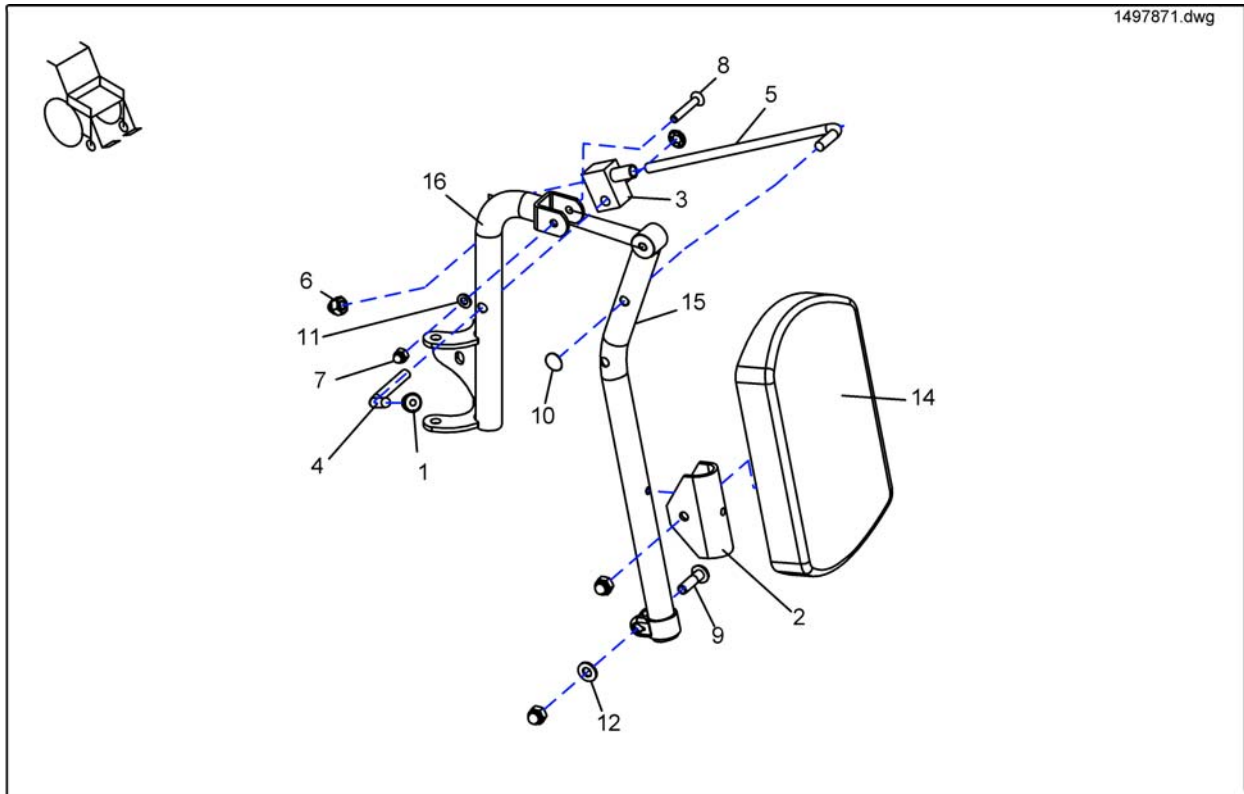


Pos.	Part number	Description	Valid from → until	Qty
1,3	SP1497866	Hanger 90 Deg, LH cpl.		1
2,3	SP1497865	Hanger 90 Deg, RH cpl.		1
3	5007790	Rubber pin		1

## Hanger Angle, Adjustment



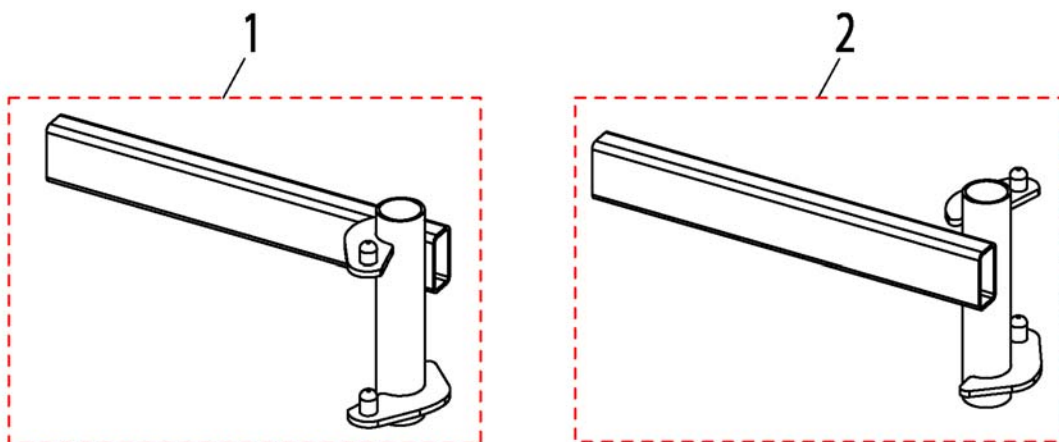
Pos.	Part number	Description	Valid from → until	Qty
1	SP1497870	Hanger Angle Adjustment, LH, cpl.		1
2	SP1497867	Hanger Angle Adjustment, RH, cpl.		1



Pos.	Part number	Description	Valid from → until	Qty
1-16	SP1497871	Legrest Height Adjustment, RH, cpl.		1
1-16	SP1497872	Legrest Height Adjustment, LH, cpl.		1
	1 5007794	Cap		1
	2 90440920	Pivot Kit		1
	3 5001839	Locking Case		1
	4 0464310	Adjustment lever RH		1
	5 -	Adjustment Rod		1
	6 -	Cap nuts DIN 986-M8-8		1
	7 F60107	Domed Nyloc Nut M6, Self-Locking		1
	8 -	Srew M6x40 DIN 7991		1
	9 -	Screw M8x30 DIN 607		1
	10 K32397	Starlock CAP 8 MM		1
	11 G00115	Washer 6,4 X 12,5 X 1,6 DIN 125		1
	12 G00107	Scheibe 8, 4X17X1, 6 DIN 125		1
	13 1425961	Manual Elevating Legrest cpl. LH		1
	13 1425960	Manual Elevating Legrest cpl. RH		1
	14 6301333	Calf Pad		1
	15 -	S/Away Elev Hanger BrktRH Tex Black		1
	16 -	Elevating Hanger Bracket, RH		1

# Legrests Swing-Away

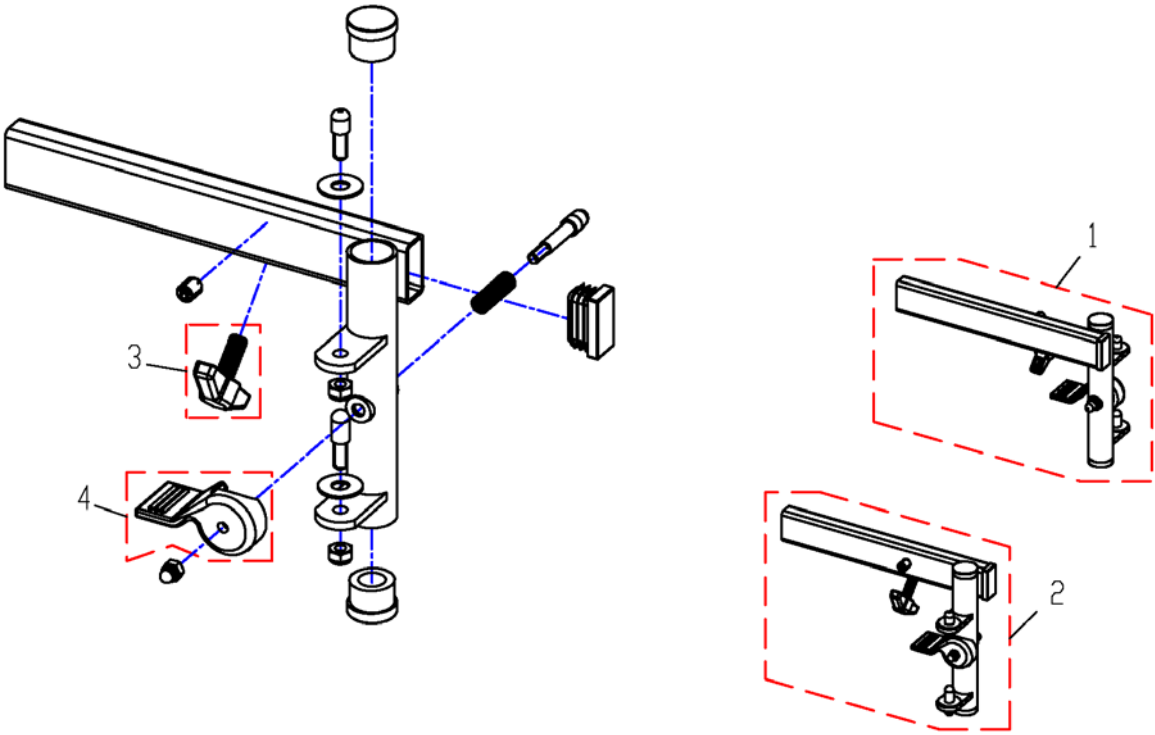
1420260X.dwg



Pos.	Part number	Description	Valid from → until	Qty
1	SP1527122	Hanger for 80° Legrest RH		1
2	SP1527124	Hanger for 80° Legrest LH		1

# Hanger for 80° Legrest

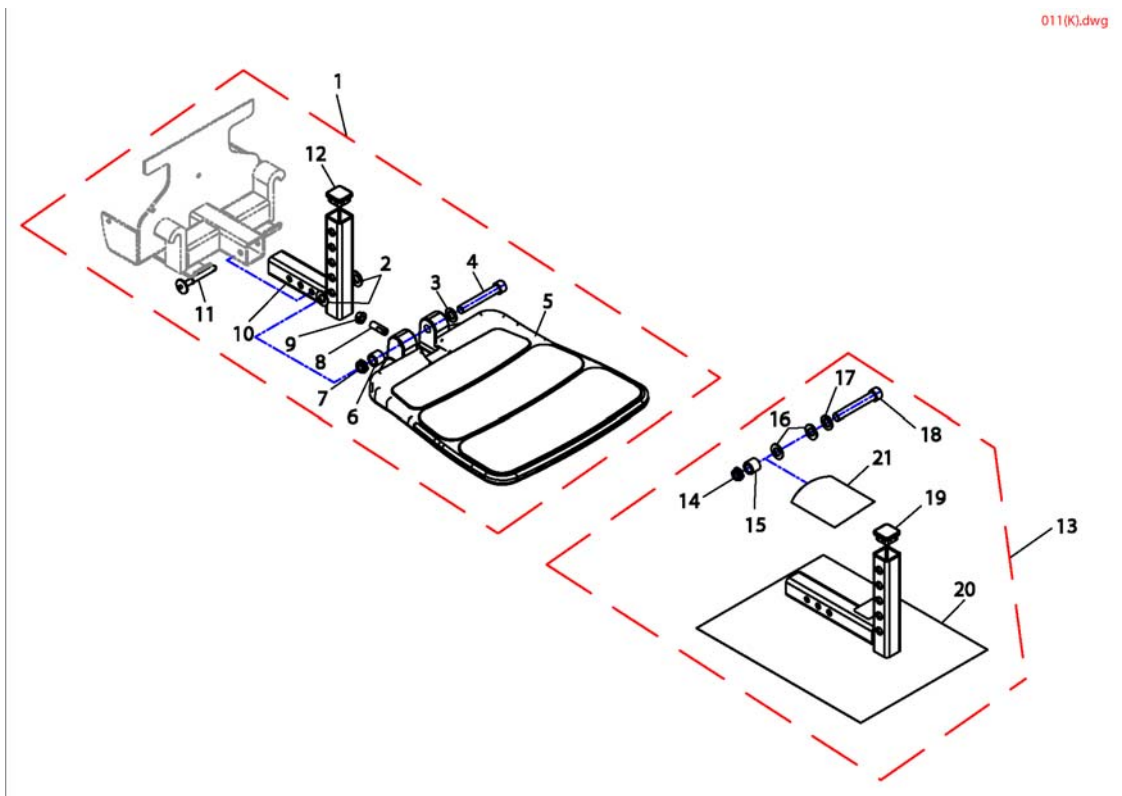
1527122PAC.dwg



Pos.	Part number	Description	Valid from → until	Qty
1	SP1527124	Hanger for 80° Legrest LH		1
2	SP1527122	Hanger for 80° Legrest RH		1
3	256099	Wing Screw - M8		1
4	5006757	RELEASE LEVER - LH		1
4	5006756	RELEASE LEVER - RH		1

# Central Footplate

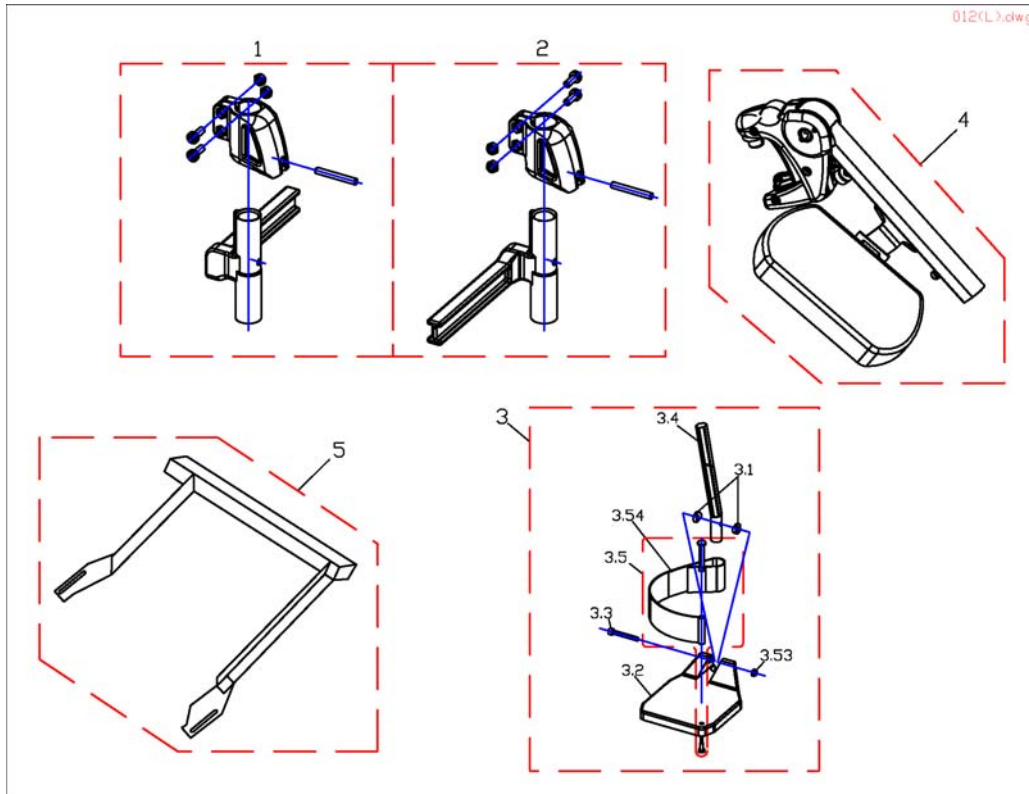
011(K).dwg



Pos.	Part number	Description	Valid from → until	Qty
1	1105027	Footboard Assembly <i>Includes items 2-12</i>		1
13	1115378	Kit, 2 Footboard		1

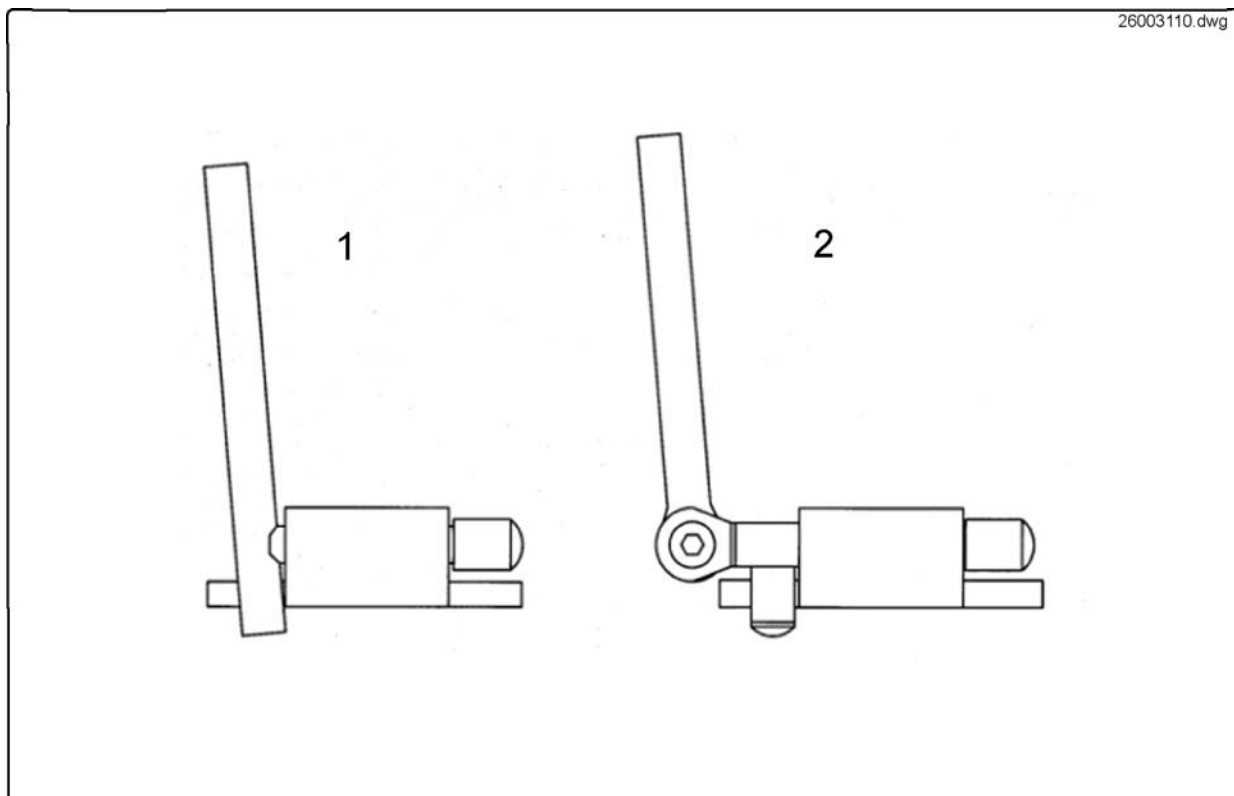


## Footplate for Van-Seat



Pos.	Part number	Description	Valid from → until	Qty
-	SP1527820	Rework-Kit VariA-Legrest Version 1 ==> Version 2		1
1	SP1449736	Footrest Receptacle Complete RH Manual 8cm		1
2	SP1449737	Footrest Receptacle Complete LH Manual 8cm		1
3	Z173195	Fixed Footrest LH <i>Includes items 3.1 - 3.5</i>		1
3	Z173196	Fixed Footrest RH <i>Includes items 3.1 - 3.5</i>		1
3.1	0572-02152	Curved Washer		1
3.2	0572-04449	Footplate RH		1
3.2	0572-04435	Footplate LH		1
3.5	Z174158	Heelstrap Complete <i>Includes items 3.5.1 - 3.5.4</i>		1
4	SP1528843	Part not for sale		1
4	SP1528842	Part not for sale		1
5	1488019-0601	Front Rigging Bracket PRONTO		1
	1491143	Front Rigging Fixing Kit Pronto		1

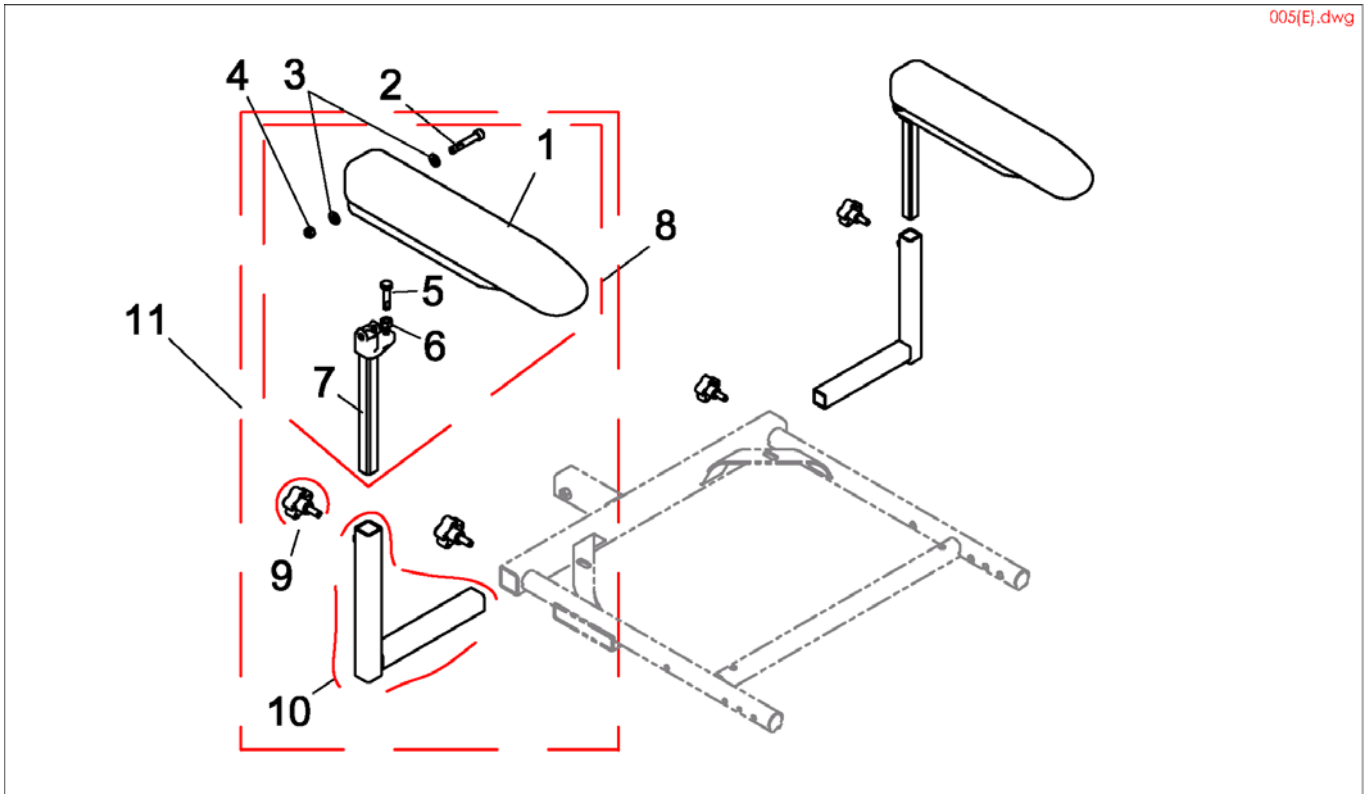
# Footplate & Extensions



Pos.	Part number	Description	Valid from → until	Qty
1	1416152	F/Rest Ext Mini RH C/W		1
1	26003108	Footplate Assy RH (Adult to 46cm)		1
1	1416153	F/Rest Ext Mini LH C/W		1
1	26003111	LH Footplate Extension		1
1	26003109	Footplate Assy LH (Adult to 46cm)		1
1	1422339	F/Rest Ext Mini LH C/W 7.5 Alum Footplates		1
1	26003110	RH Footplate Extension		1
1	1422338	F/Rest Ext Mini RH C/W 7.5 Alum Footplates		1
2	1425959	Adj Angle F/Rest Kit LH C/W 7.5 Alum Footplate		1
2	1425958	Adj Angle F/Rest Kit RH C/W 7.5 Alum Footplate		1
2	26003009	Angle Adjustable Footplate Assy LH (Adult to 46cm)		1
2	26003008	Angle Adjustable Footplate Assy RH (Adult to 46cm)		1
2	26002975	Adj F/Rest Ext Narrow LH		1
2	26002974	Adj F/Rest Ext Narrow RH		1
2	1425957	Adj Angle F/Rest Kit LH C/W 6.5 Alum Footplate		1
2	1425956	Adj Angle F/Rest Kit RH C/W 6.5 Alum Footplate		1

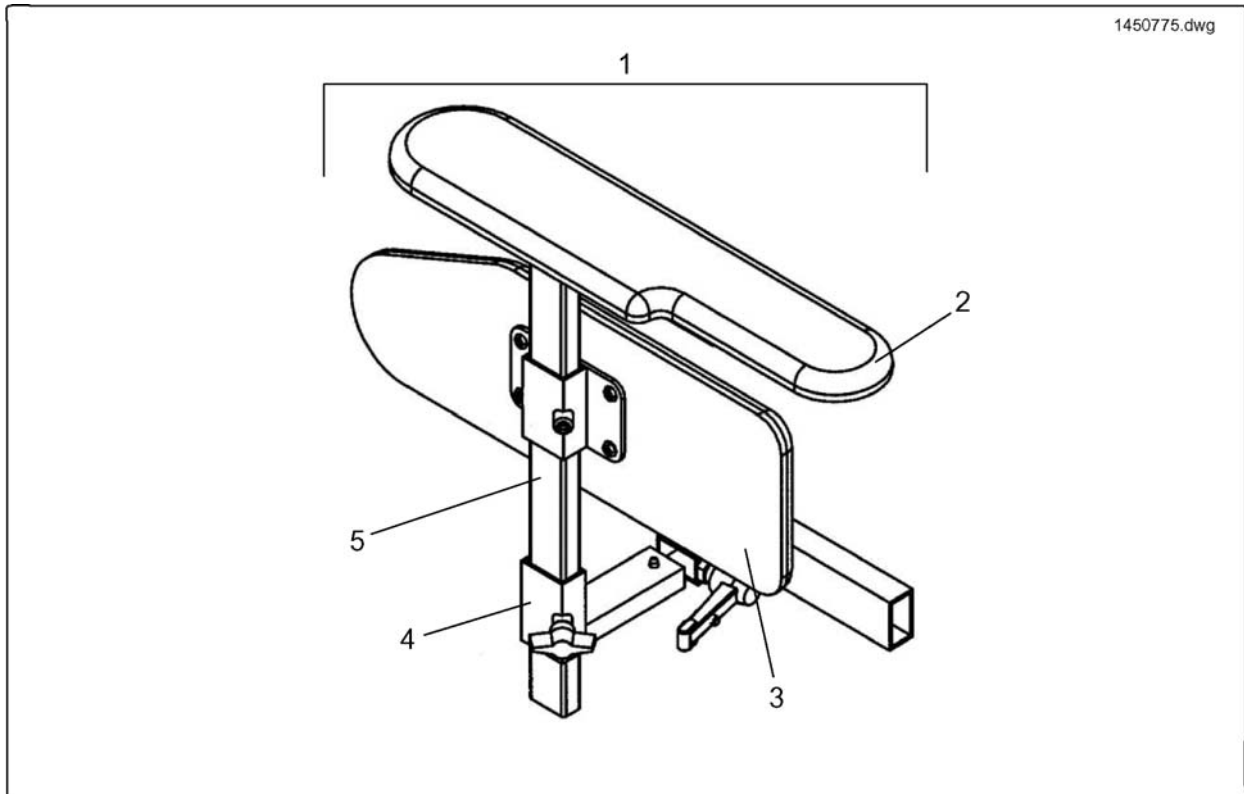
# Armrests Van-Seat

005(E).dwg

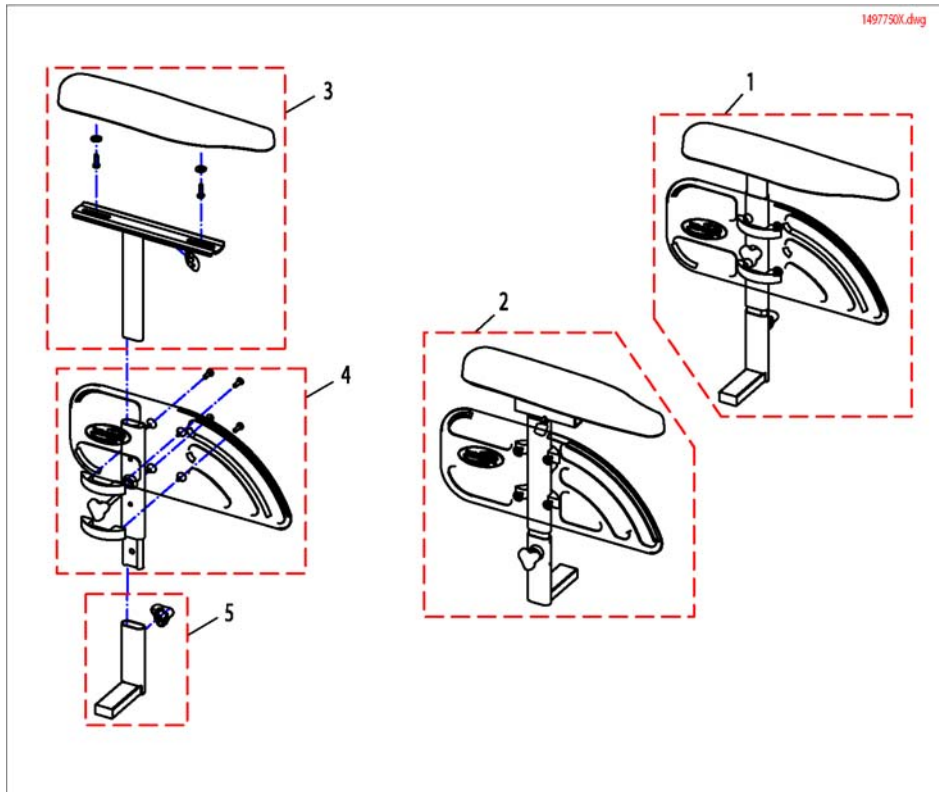


Pos.	Part number	Description	Valid from → until	Qty
8	1140426	Upper Arm Assembly - Full Length (Right/Left) <i>Includes items 1-7</i>		1
9	1114910	Knob, Adjustment (5/16-18 x 3/4 )"		1
10	1113646	Arm Tube, Lower Adjustable Width - Right		1
10	1113647	Arm Tube, Lower Adjustable Width - Left		1
11	1142474	Arm Assembly, Full Length Adj. Height - Right <i>Includes items 8-10</i>		1
11	1142475	Arm Assembly, Full Length Adj. Height - Left		1
	5716508	Hole Cover (Only for France)		1

## Padded Armrest

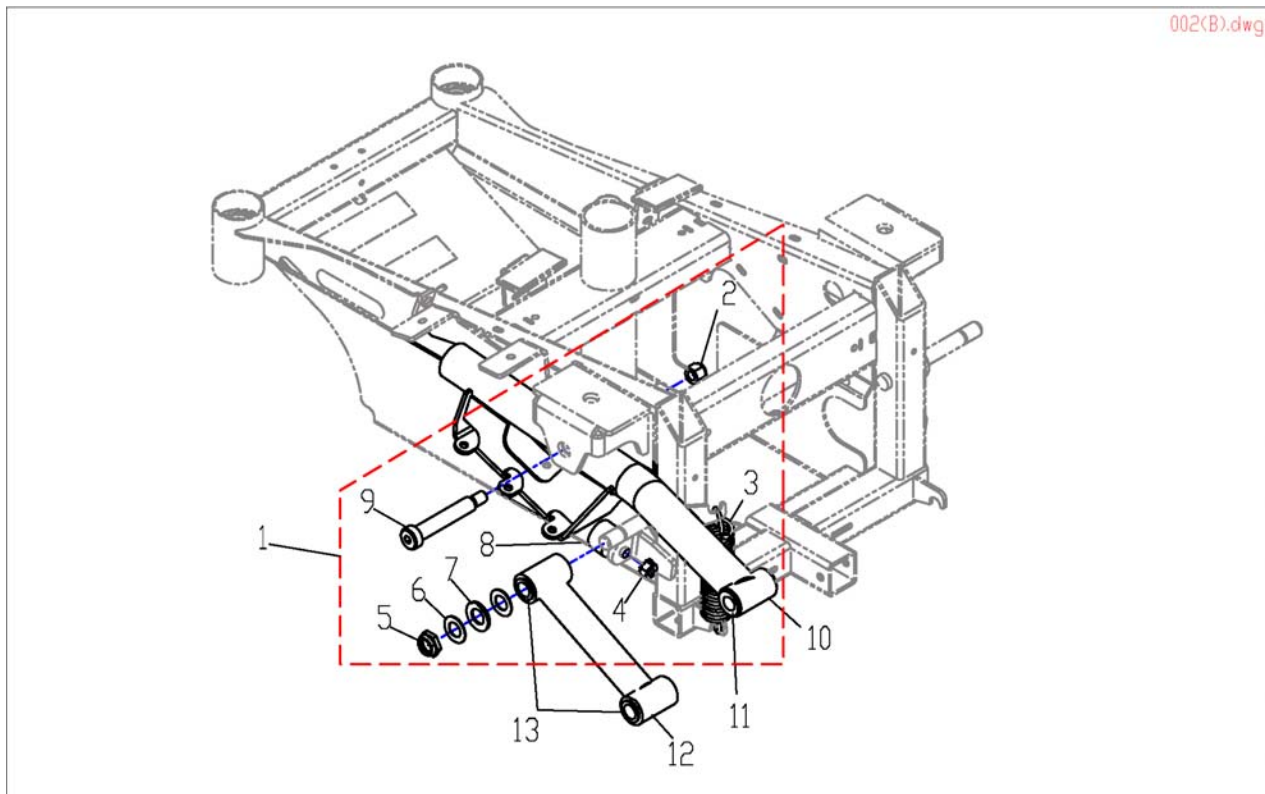


Pos.	Part number	Description	Valid from → until	Qty
1	1450775	Plush Armrest Assy RH Complete		1
1	1450776	Plush Armrest Assy LH Complete		1
1	1484077	Dartex Armrest Assy RH Complete		1
1	1484078	Dartex Armrest Assy LH Complete		1
2	1446531-0227	Padded armrest RH, black plush		1
2	1446532-0227	Padded armrest LH, black plush		1
2	1484079-0232	Padded armrest RH, grey dartex		1
2	1484376-0232	Padded armrest LH, grey dartex		1
3	1446533-0227	Padded side panel RH, black plush		1
3	1446534-0227	Padded side panel LH, black plush		1
3	1484377-0232	Padded side panel RH, grey dartex		1
3	1484378-0232	Padded side panel LH, grey dartex		1
4	26003706	Transverse Armrest Mounting Bracket Assembly RH		1
4	26003707	Transverse Armrest Mounting Bracket Assembly LH		1



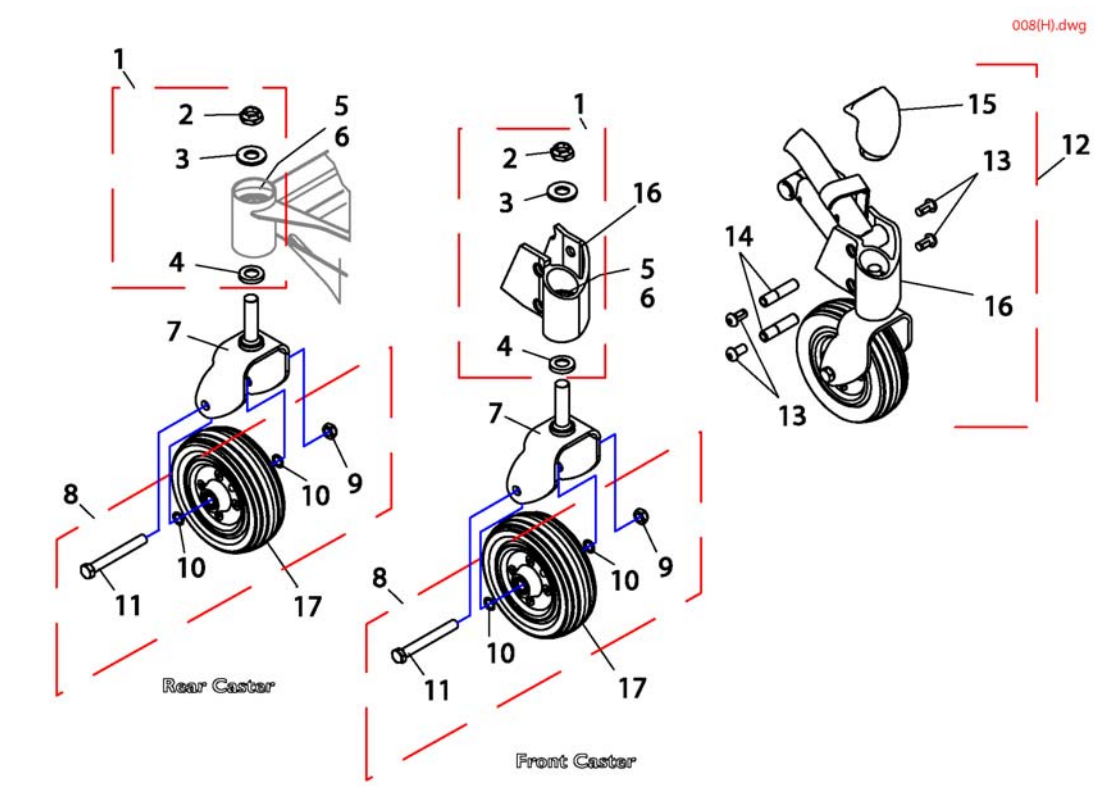
Pos.	Part number	Description	Valid from → until	Qty
1	SP1441608	Armrest LH compl.		1
2	SP1441607	Armrest RH compl.		1
3	1441607	RH Armrest Top Section C/W Ergonomic Pad		1
3	1441608	LH Armrest Top Section C/W Ergonomic Pad		1
4	SP1436962	RH A/Rest Mid Section		1
4	SP1436963	LH A/Rest Mid Section		1
5	SP1442072	Support Armrest		1

## Walking Beam front



Pos.	Part number	Description	Valid from → until	Qty
1	1127398	Kit, SureStep Walking Beam Hardware <i>Includes items 2-9</i>		1
10	1127368	Walking Beam, SureStep - Right <i>Includes item 11</i>		1
10	1127369	Walking Beam, SureStep - Left <i>Includes item 11</i>		1
11	1127344	Bearing, Flange (1/2 x 7/8 )"		1
12	1109018	Tube, Pivot <i>Includes item 13</i>		1
13	1106485	Bushing (1/2 x 5/8 )"		1

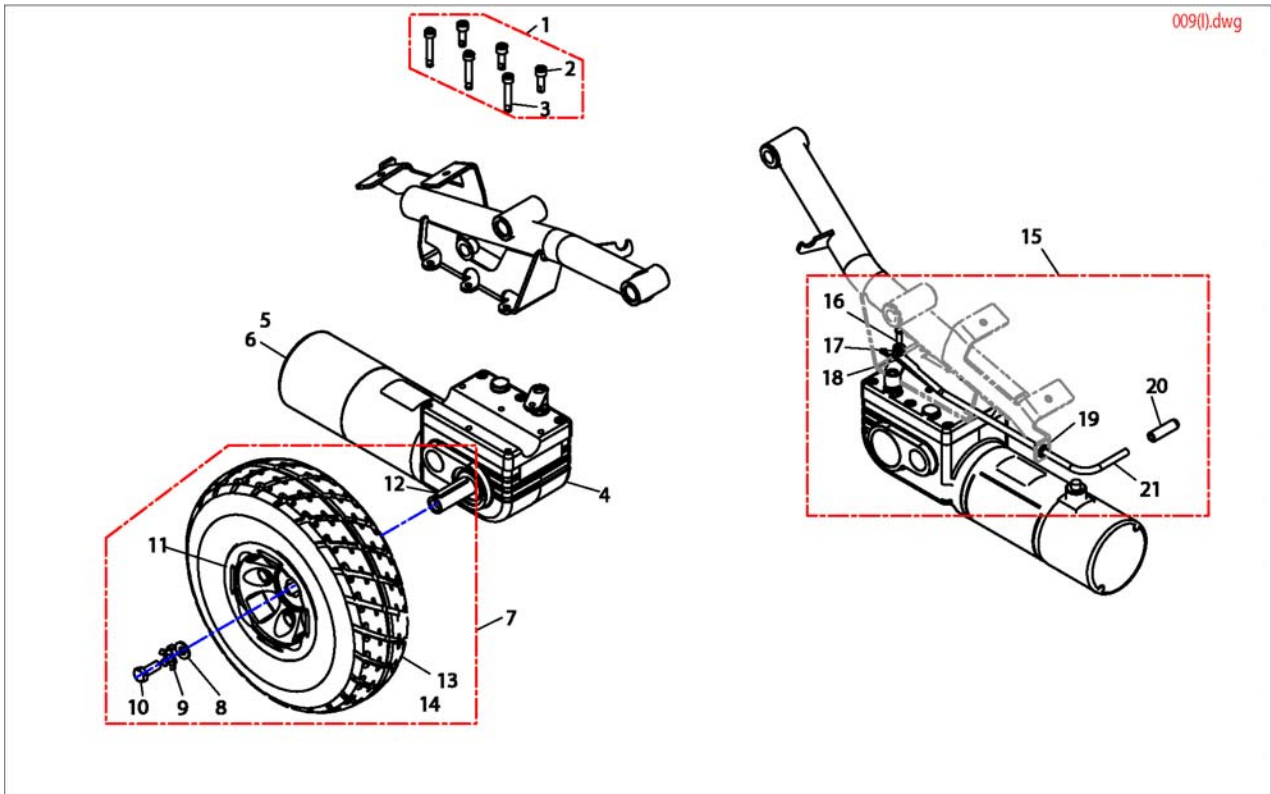
## Tyres & Wheelforks



008(H).dwg

Pos.	Part number	Description	Valid from → until	Qty
1	1106226	Kit, Fork Mounting Hardware		1
2	1028550	Locknut (5/8-18)		1
3	1041444	Washer (5/8 x 1-5/16 x 1/8 )"		1
4	1106068	Spacer, Stem (5/8 x 1-1/8 x 3/16 )"		1
5	40117X006	Bearing (5/8 )"		1
6	1110717	Ring, Tolerance		1
7	1110683	Fork and Stem		1
8	1110708	Kit, Castor Mounting Hardware		1
9	1025734	Locknut (7/16-20)		1
10	1025724	Washer (15/32 x 5/8 x 3/64 )"		1
11	1025726	Screw, Hex Head (7/16-20 x 3-1/4 )"		1
12	1110688	Kit, Caster Headtube with Hardware - Right		1
12	1110689	Kit, Caster Headtube with Hardware - Left		1
13	1109222	Screw, Button Head Cap (3/8-24 x 3/4 )"		1
14	1112633	Bushing, Pivot Head Tube		1
15	1113012	Cap, Headtube - Right		1
15	1113013	Cap, Headtube - Left		1
16	1110694	Headtube Assembly with Bearings - Right		1
16	1110695	Headtube Assembly with Bearings - Left		1

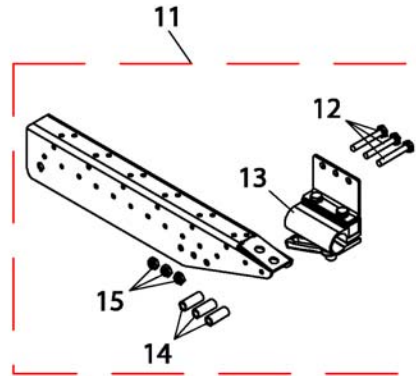
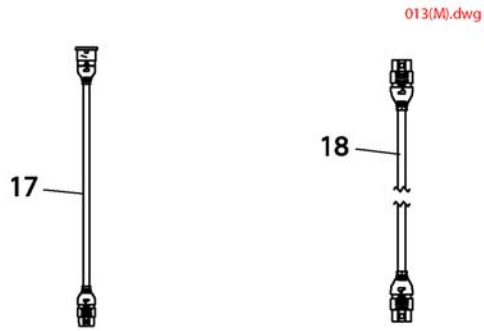
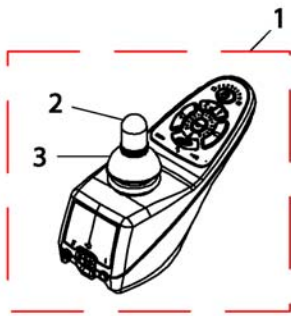
# Motor & Drive Wheel



Pos.	Part number	Description	Valid from → until	Qty
1	1108562	Kit, Motor Mounting Hardware		1
4	1127394	Motor with Gearbox Assembly - Right		1
4	1127395	Motor with Gearbox Assembly - Left		1
5	1038361	Kit, Motor/Brake Covers with Screws		1
6	1123528	Kit, Motor Brush - Internal (Large)		1
7	1102338	Kit, Drive Wheel with Mounting Hardware - Pneumatic (10 x 3)" <i>Includes items 8-14</i>		1
15	1127397	Kit, Motor Release Lever Hardware <i>Includes items 16-21</i>		1

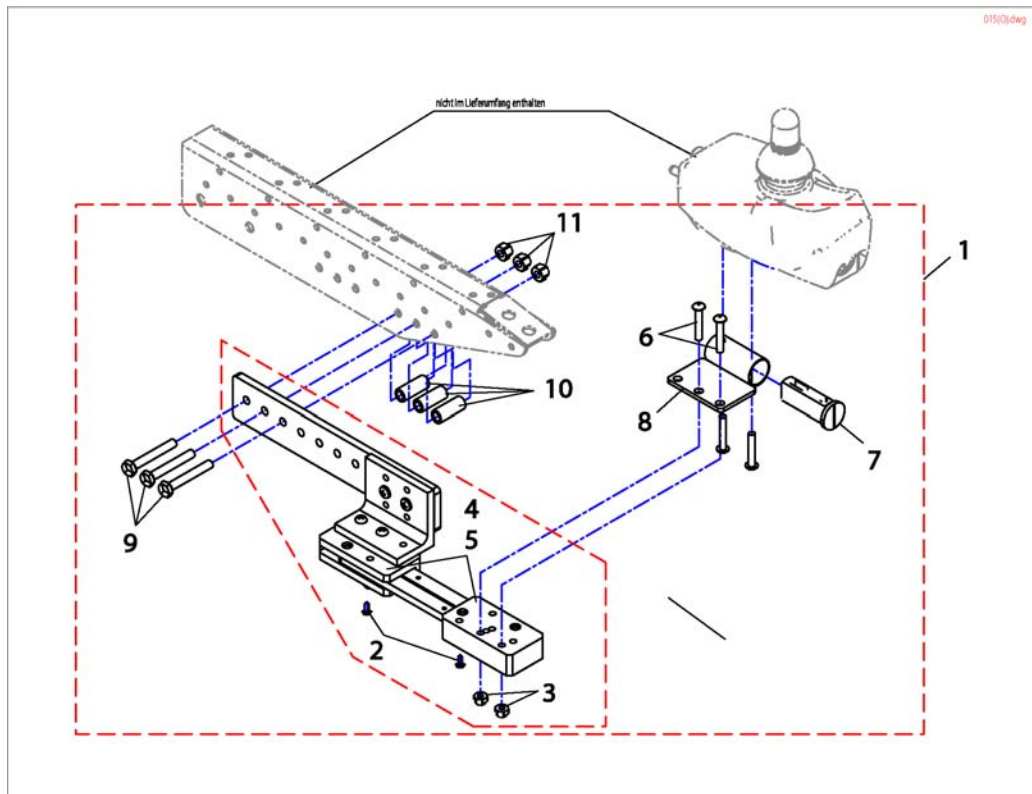


## Control Units & Holder



Pos.	Part number	Description	Valid from → until	Qty
1	1449177	Remote Shark DK-REM D11 (with actuators)		1
2	1040217	Joystick Knop		1
3	1040218	Joystick Kap		1
11	1115000	kit support tube		1
12	1037610	Screws and Bracket for Remote		1
13	1105049	Remote Bracket Shark Standard		1
14	1087219	Spacer Tube (1/4x3/8x1 )"		1
15	1025195	Nut (1/4-20)		1
17	1116404	Controller Cable		1
17	GSM80211	extension cable		1
	1127293	Controller cable extension		1
18	GSM80234	Controller Cable		1

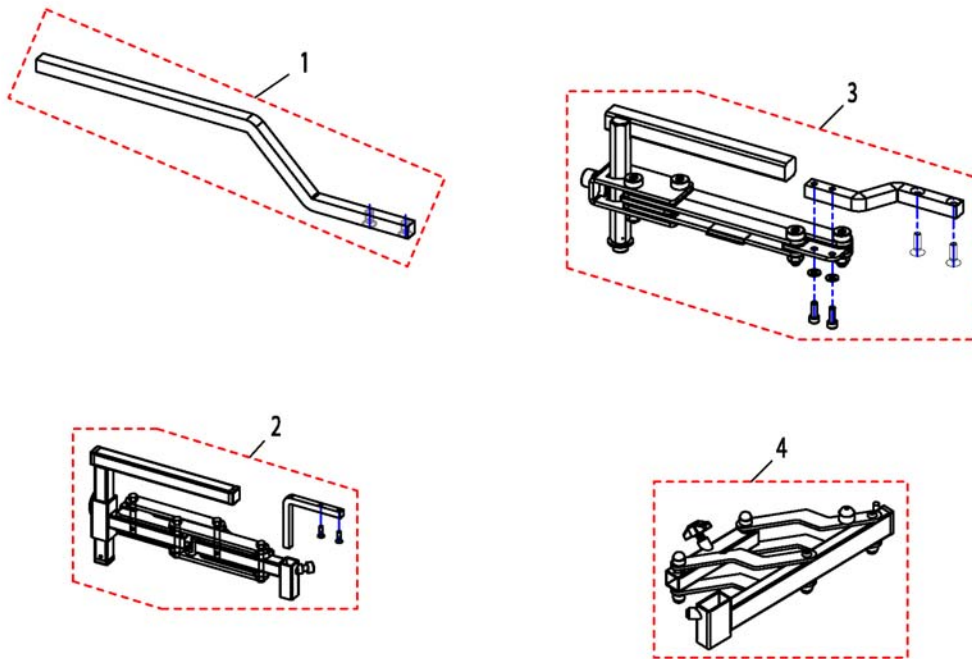
## Remote fixation Swing Away (Van-Seat)



Pos.	Part number	Description	Valid from → until	Qty
1	1119215	Kit, Quad link Assembly RH <i>Includes items 2-11</i>		1
1	1119216	Kit, Quad link Assembly LH <i>Includes items 2-11</i>		1

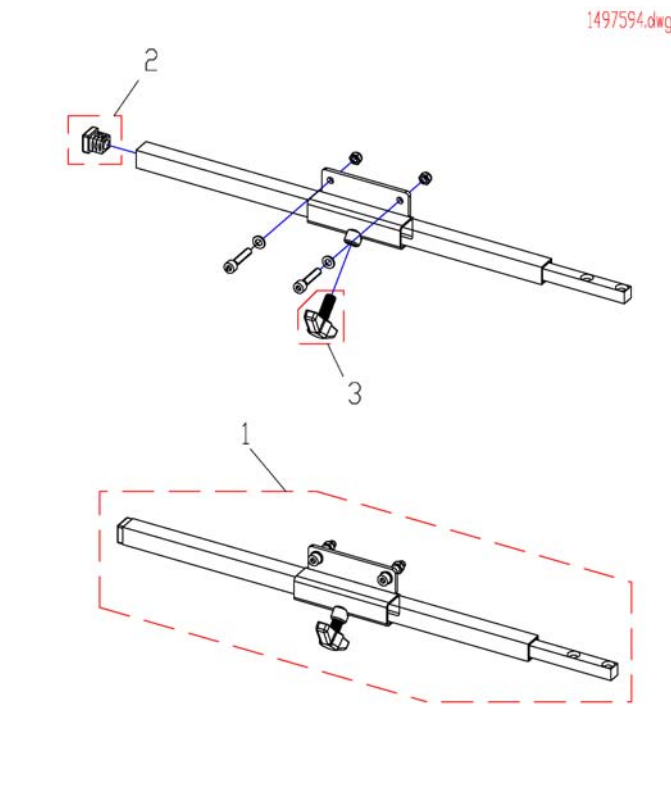
## Remote fixations

1440440X.dwg



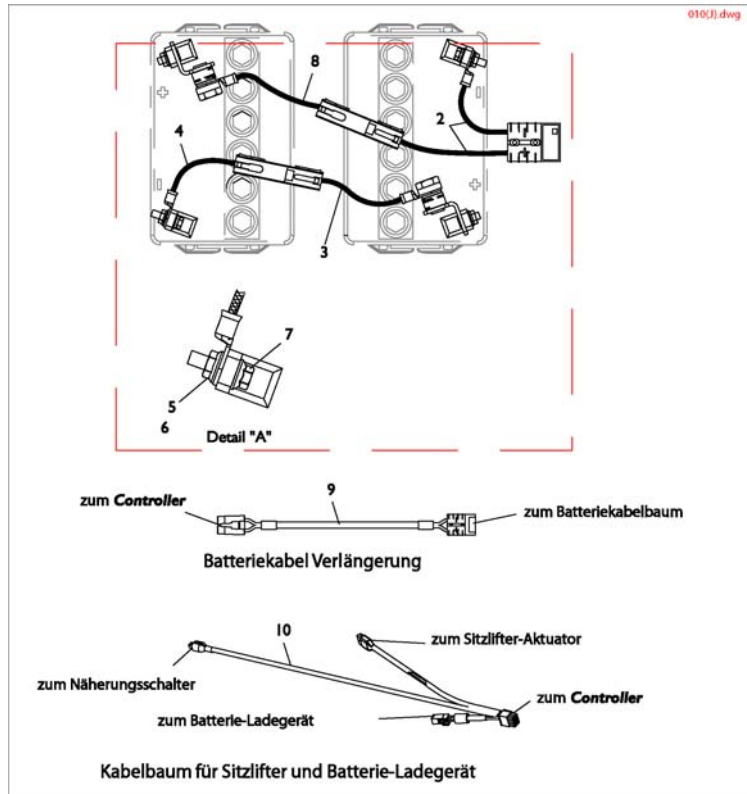
Pos.	Part number	Description	Valid from → until	Qty
1	1440440-9005	JOYSTICK BOX SUPPORT SHARK, WITHOUT SCREWS		1
2	SP1436543	Joystick Box Support Swing Away REM 24SD & Shark, With Screws		1
3	SP1497592	Remote Bracket swing away RH		1
3	SP1497593	Remote Bracket swing away LH		1
4	SP1497590	Remote Bracket swing away RH		1
4	SP1497591	Remote Bracket swing away LH		1

## Guiding Rod for Joystick-Box



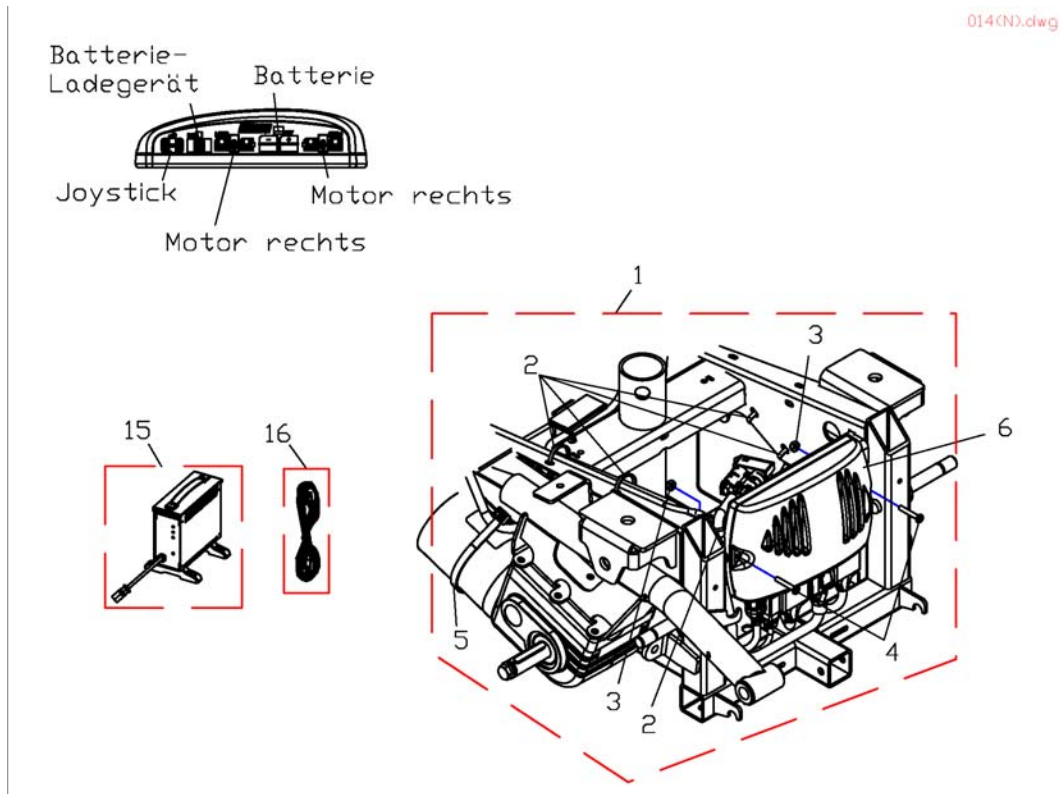
Pos.	Part number	Description	Valid from → until	Qty
1	SP1497594	Guiding Rod		1
2	-	Tube End Plug E 15 X 15		1
3	256099	Wing Screw - M8		1

## Cable & Batteries



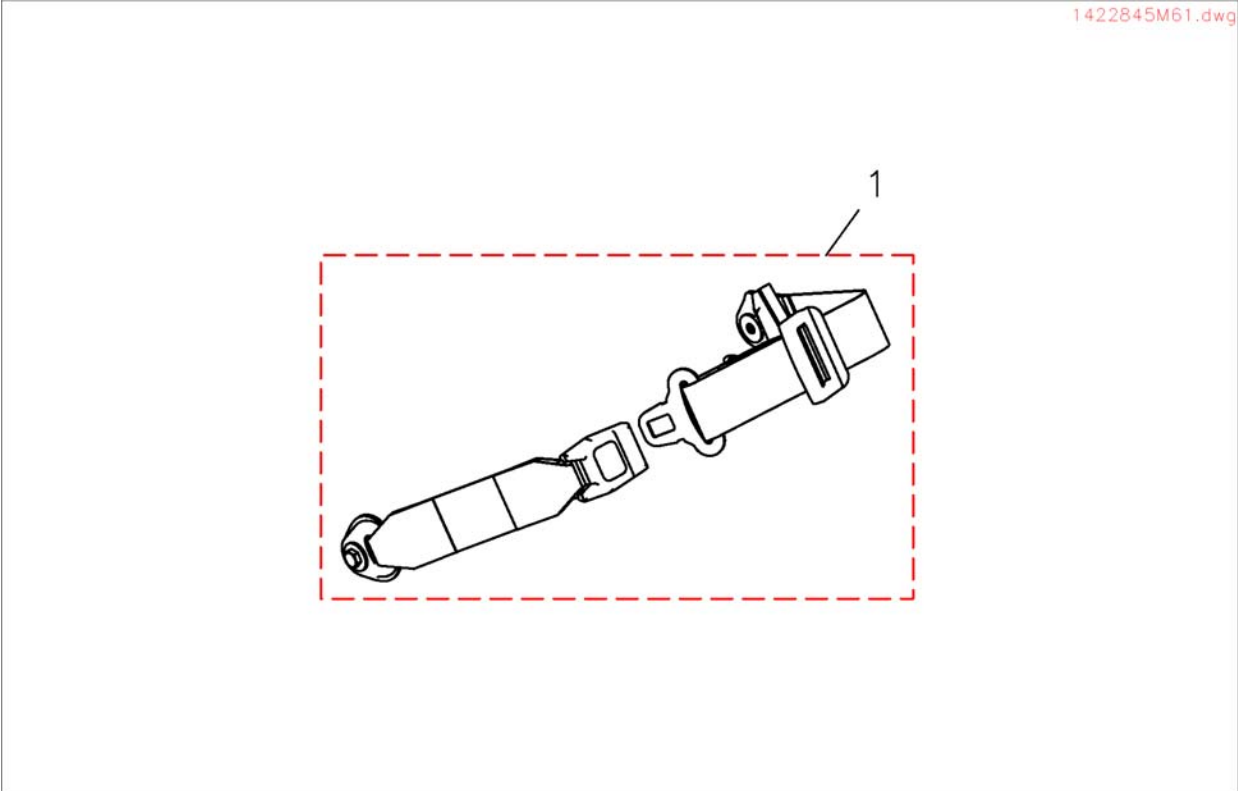
Pos.	Part number	Description	Valid from → until	Qty
1	1140319	Kit, Battery Harnesses with Terminal Hardware		1
	1521459	AGM Batterie 12V/32Ah		1

# Powermodul & Charger



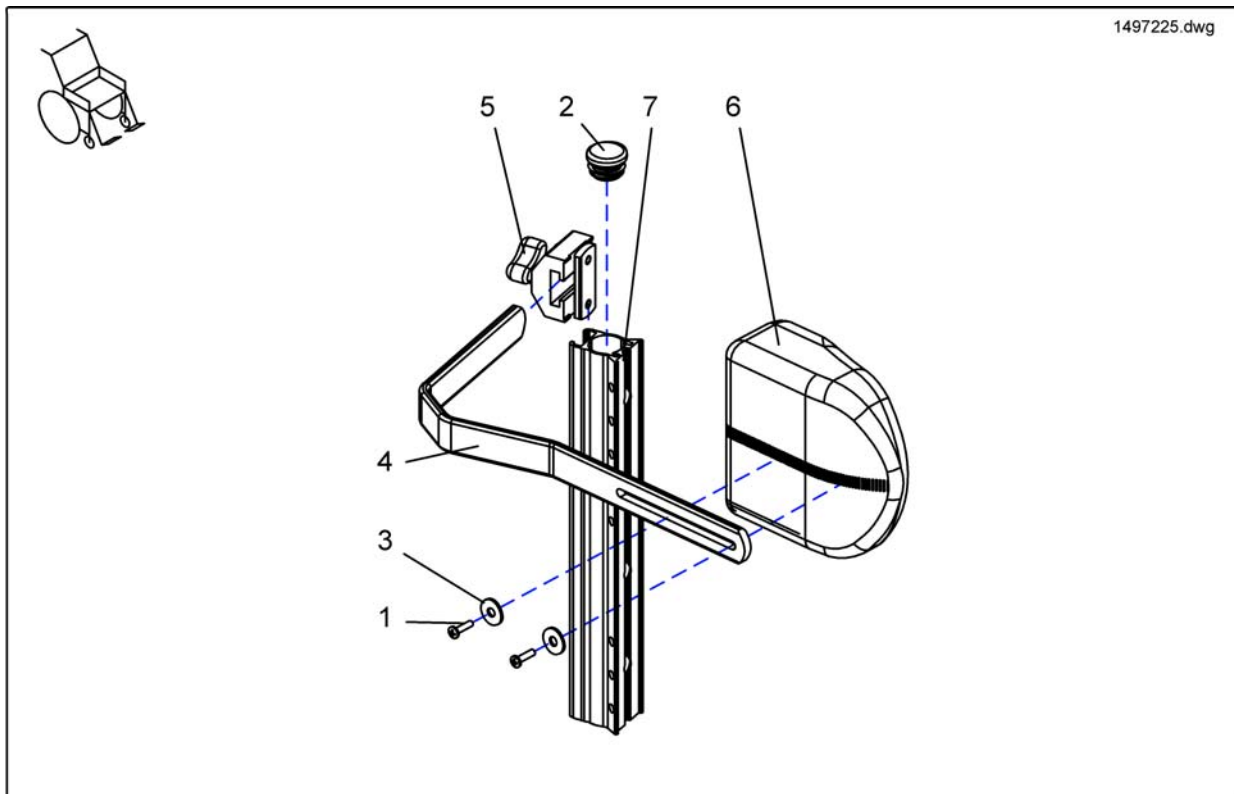
Pos.	Part number	Description	Valid from → until	Qty
6	1448744	Power Module Shark DK - PMB22		1
15	P51981	Universal Charger 24V/8Ah for Batterys up to 73Ah c20 (without Powercord)		1
16	P21079	Charger Power Cable (Shockproof Plug)		1
16	P21080	Charger Power Cable (Uk)		1
	BAT-GC812	Charger 24V 8A control D		1

# Retaining Belt



Pos.	Part number	Description	Valid from → until	Qty
1	1422845	Positioning Strap With Snap cpl. For Standard-Seat		1

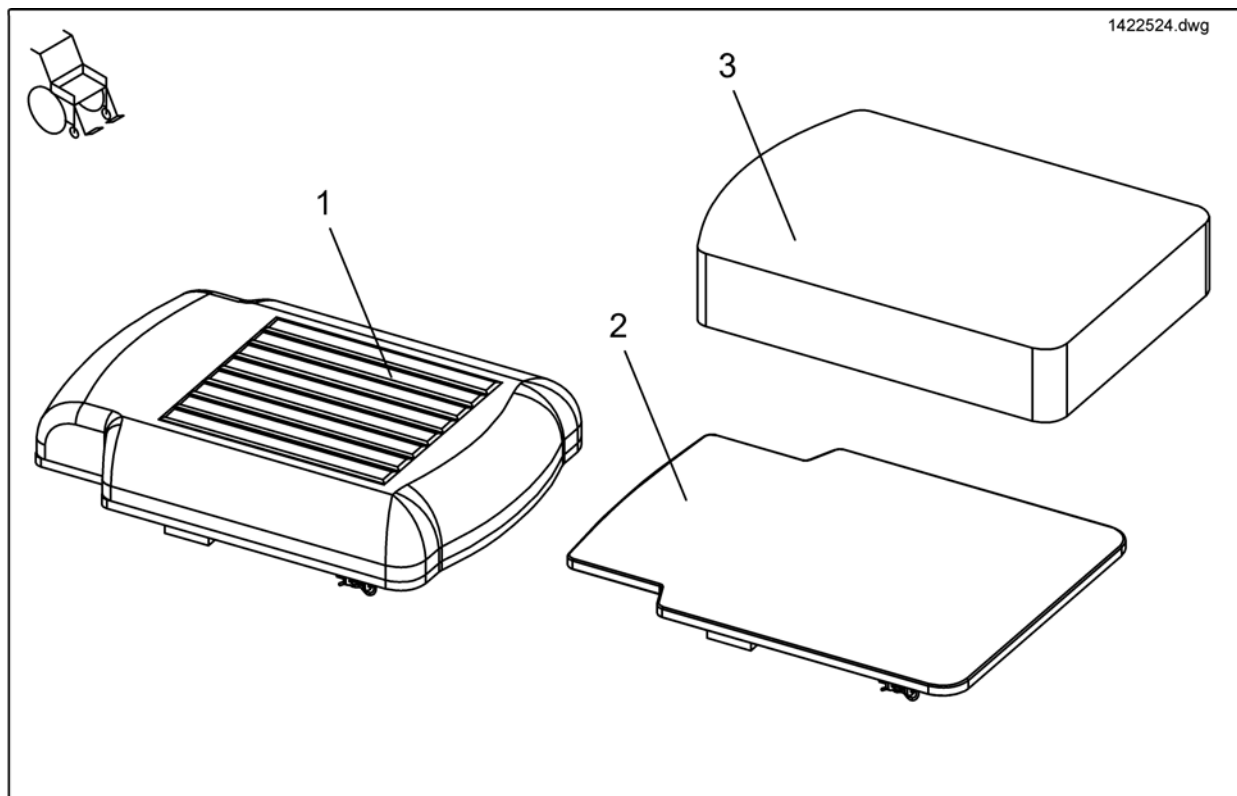
# Trunk Support



Pos.	Part number	Description	Valid from → until	Qty
1-7	SP1497218	Trunk Support RH, Black Jemima		1
1-7	SP1497220	Trunk Support LH, Black Jemima		1
1-7	SP1497223	Trunk Support RH, Black Pluesch		1
1-7	SP1497224	Trunk Support LH, Black Pluesch		1
1-7	SP1497225	Trunk Support RH, Grey Dartex		1
1-7	SP1497331	Trunk Support LH, Grey Dartex		1
2	5816477	Cap Ø25mm		1
4	1423700-9005	Handle for Pelotte		1
5	5253170	Holder Complete Trunk Support		1
6	1422378-0208	Trunk support LH/RH, black Jemima		1
6	1449497-0227	Trunk support LH/RH, black pluesch		1
6	5253067-TR23	Trunk Support LH/RH grey dartex		1

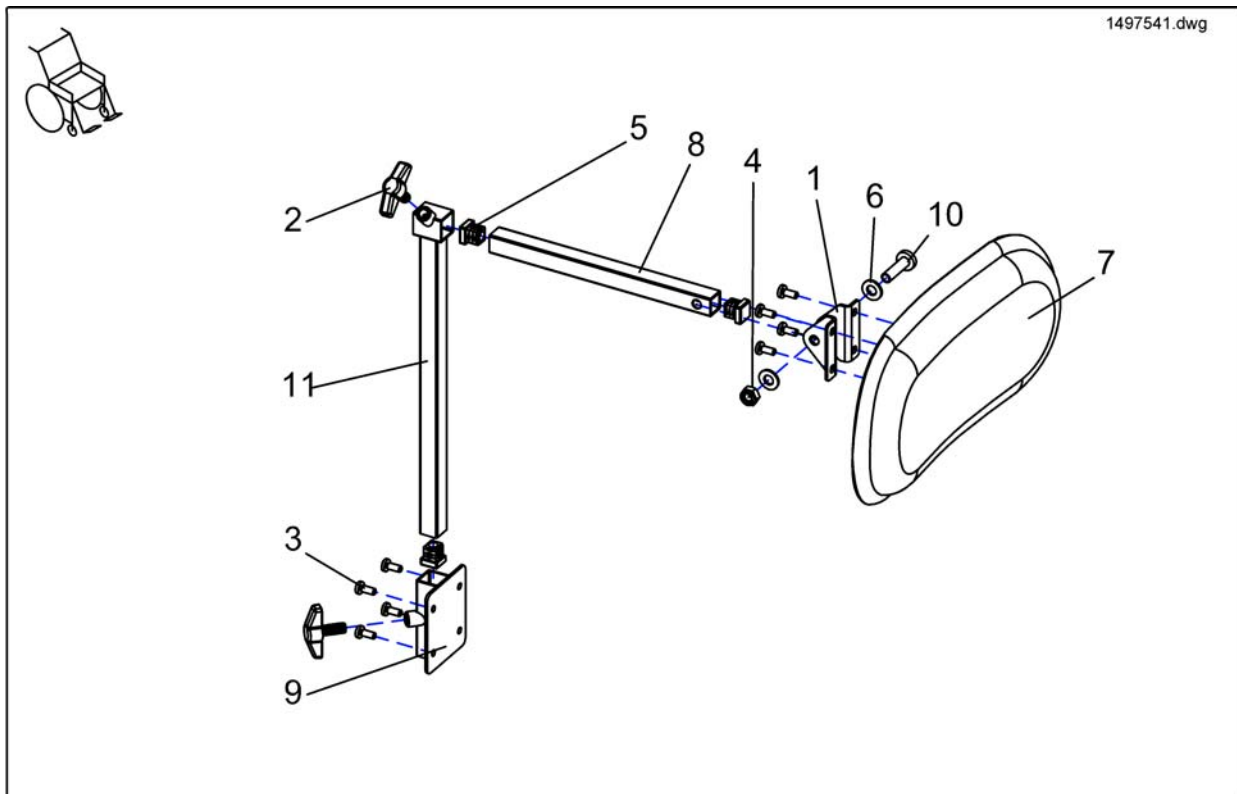


## Seat Cushions



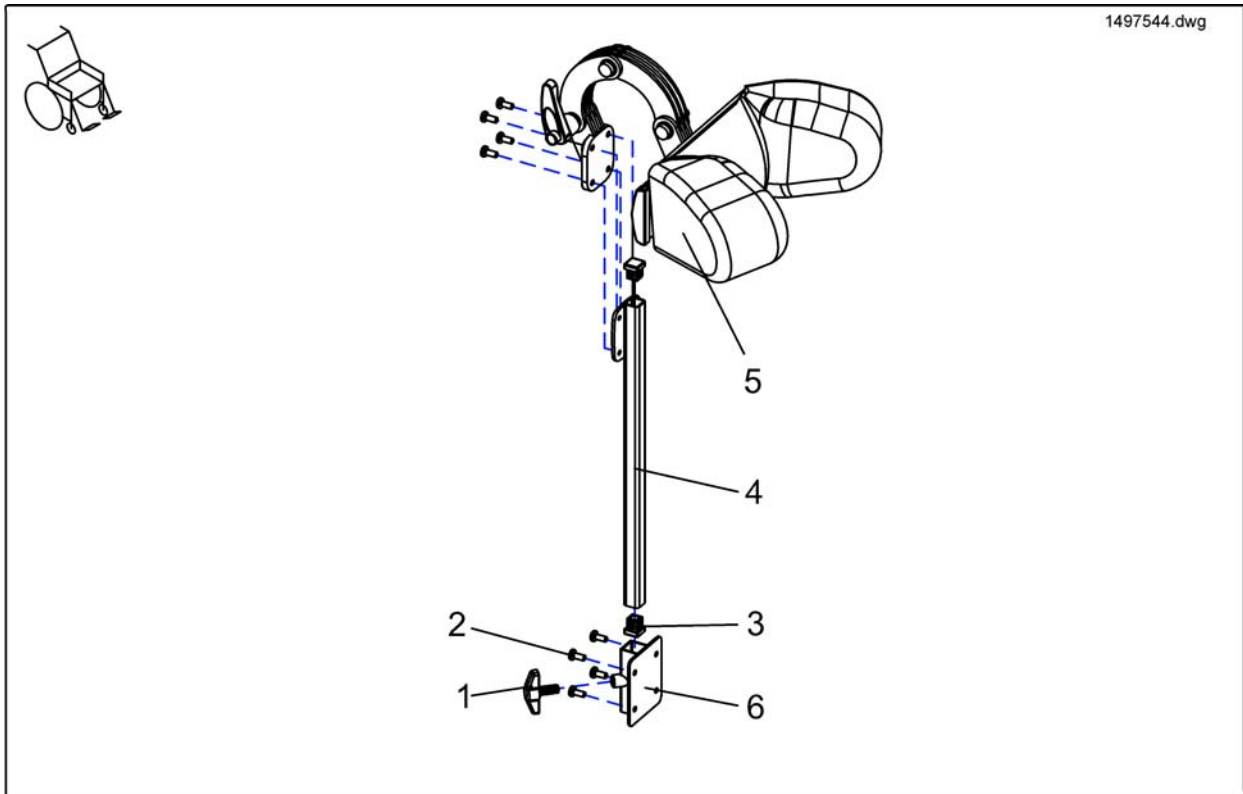
Pos.	Part number	Description	Valid from → until	Qty
2	SP1497474	Covered Seatboard Assembly Kit, 33cm		1
2	SP1497475	Covered Seatboard Assembly Kit, 38cm		1
2	SP1497476	Covered Seatboard Assembly Kit, 43cm		1
1	SP1497477	Padded Seating Assembly Kit - Black Jemima, 33cm		1
1	SP1497478	Padded Seating Assembly Kit - Black Jemima, 38cm		1
1	SP1497479	Padded Seating Assembly Kit - Black Jemima, 43cm		1
3	SP1497483	Seat cushion Laguna SW38cm black plush		1
3	SP1497484	Seat cushion SW43cm black plush		1
3	SP1497485	Seat cushion Laguna SW38cm dartex		1
3	SP1497486	Seat cushion Laguna SW43cm dartex		1
3	SP1497500	Seat cushion Flo Tech Lite SW 33cm		1
3	SP1497501	Seat cushion Flo Tech Lite SW 38cm		1
3	SP1497539	Seat cushion Flo Tech Lite SW 43cm		1

# Headrest



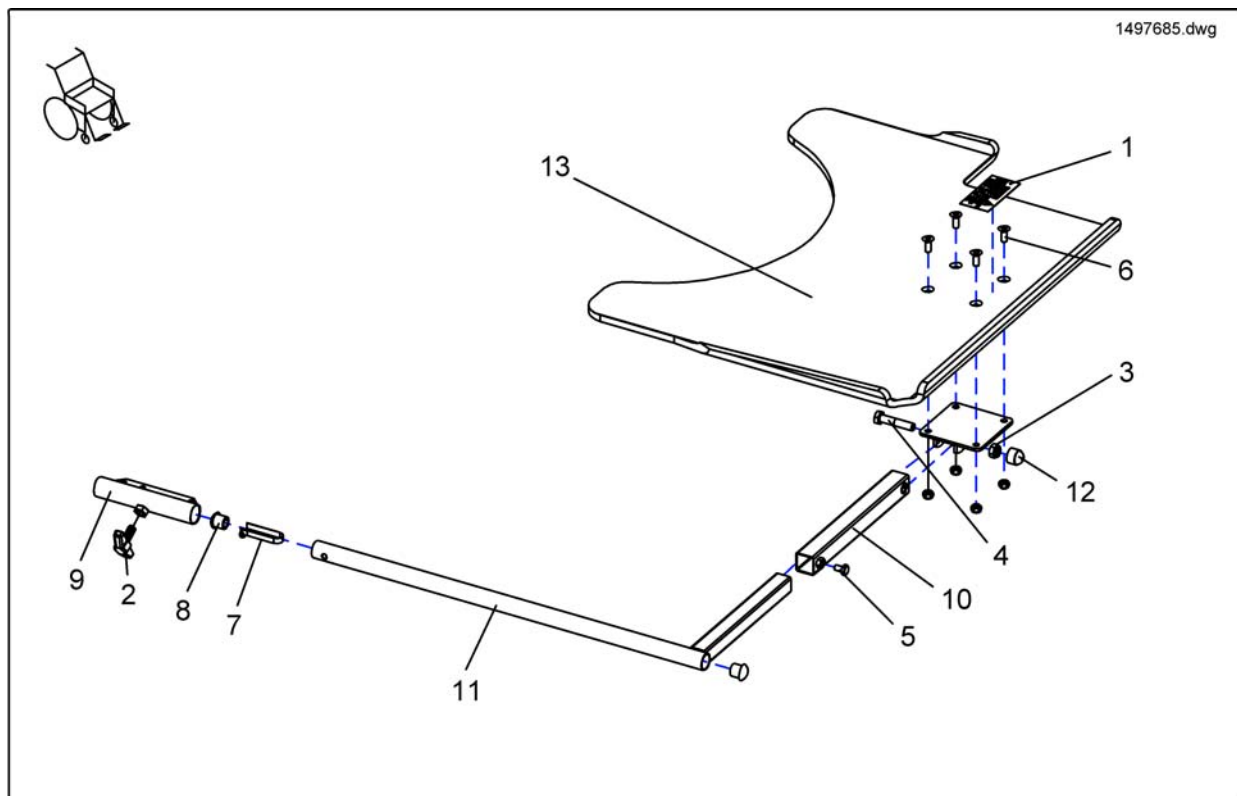
Pos.	Part number	Description	Valid from → until	Qty
1-11	SP1497541	Headrest Curve 1, Jemima, cpl.		1
1-11	1450781	Upholstered Headrest Assembly - Black Plush		1
2	256099	Wing Screw - M8		1

# Headrest Contour, Firm-Seat



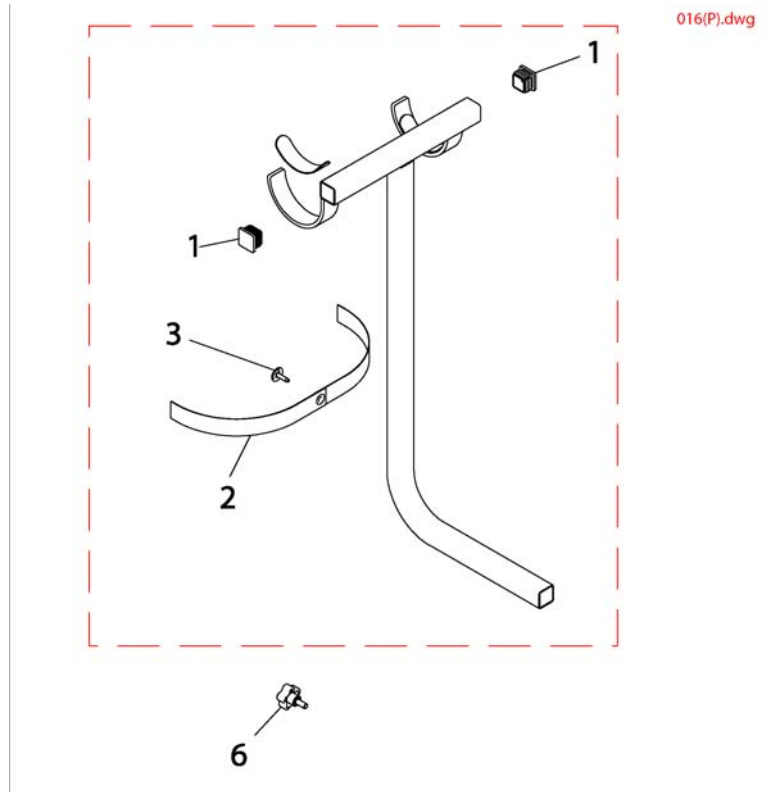
Pos.	Part number	Description	Valid from → until	Qty
1-6	SP1497544	Headrest Contour, REA black Plush, cpl.		1
1-6	SP1497543	Headrest Contour, REA Dartex, cpl.		1
1	256099	Wing Screw - M8		1
2	D30197	Cross Head Screw M5 X 12		1
3	-	Tube End Plug E 15 X 15		8
4	1451639-0205	Headrest REA Angle Adjustment		2
5	1484381	Headrest Contour / REA Dartex Grau		1
5	1446559	HEADREST TR26 CPL SIDEWISE ADJUSTABLE		1
6	26002351	Tube Headrest		1

# Tray Table



Pos.	Part number	Description	Valid from → until	Qty
1-13	SP1497685	Table SB33cm, swing away, LH, cpl.		1
1-13	SP1497792	Table SB38cm, swing away, LH, cpl.		1
1-13	SP1497793	Table SB43cm, swing away, LH, cpl.		1
1-13	SP1497794	Table SB33cm, swing away, RH, cpl.		1
1-13	SP1497817	Table SB38cm, swing away, RH, cpl.		1
1-13	SP1497826	Table SB43cm, swing away, RH, cpl.		1
2	256099	Wing Screw - M8		1

## Crutch/ Cane Holder



Pos.	Part number	Description	Valid from → until	Qty
1	1055662	Plug Button, Square (1-1/8 x 1-1/8 )"		1
2	1032222	Strap		1
3	1076284	Screw with Washer (		1
4	1072003	Pad, Non-Skid Adhesive Back		1
6	1114911	Knob, Adjustment (5/16-18 x 1-1/2 )"		1
	1488745	Imperial Allen Key Set		1
	P725	Crutch/ Cane Holder		1
	P770	Walker Holder Assembly complete		1



Yes, you can.®



---

**Belgium & Luxemburg:**

Invacare nv, Autobaan 22, B-8210 Loppem  
Tel: (32) (0)50 83 10 10, Fax: (32) (0)50 83 10 11  
belgium@invacare.com

**Danmark:**

Invacare A/S, Sdr. Ringvej 37, DK-2605 Brøndby  
Tel: (45) (0)36 90 00 00, Fax: (45) (0)36 90 00 01  
denmark@invacare.com

**Deutschland:**

Invacare Aquatec GmbH, Alemannenstraße 10, D-88316 Isny  
Tel: (49) (0)75 62 7 00 0, Fax: (49) (0)75 62 7 00 66  
info@invacare-aquatec.com

**European Distributor Organisation:**

Invacare, Kleiststraße 49, D-32457 Porta Westfalica  
Tel: (49) (0)57 31 754 540, Fax: (49) (0)57 31 754 541  
edo@invacare.com

**España:**

Invacare SA, c/Areny s/n, Polígon Industrial de Celrà, E-17460 Celrà (Girona)  
Tel: (34) (0)972 49 32 00, Fax: (34) (0)972 49 32 20  
contactsp@invacare.com

**France:**

Invacare Poirier SAS, Route de St Roch, F-37230 Fondettes  
Tel: (33) (0)2 47 62 64 66, Fax: (33) (0)2 47 42 12 24  
contactfr@invacare.com

**Ireland:**

Invacare Ireland Ltd, Unit 5 Seatown Business Campus, Seatown Road, Swords, County Dublin - Ireland  
Tel: (353) 1 810 7084, Fax: (353) 1 810 7085  
ireland@invacare.com

**Italia:**

Invacare Mecc San s.r.l., Via dei Pini 62, I-36016 Thiene (VI)  
Tel: (39) 0445 38 00 59, Fax: (39) 0445 38 00 34  
italia@invacare.com

**Nederland:**

Invacare BV, Celsiusstraat 46, NL-6716 BZ Ede  
Tel: (31) (0)318 695 757, Fax: (31) (0)318 695 758  
nederland@invacare.com, csede@invacare.com

**Norge:**

Invacare AS, Grensesvingen 9, Postboks 6230, Etterstad, N-0603 Oslo  
Tel: (47) (0)22 57 95 00, Fax: (47) (0)22 57 95 01  
norway@invacare.com, island@invacare.com

**Österreich:**

Mobitec Mobilitätshilfen GmbH, Herzog Odilostrasse 101, A-5310 Mondsee  
Tel: (43) 6232 5535 0, Fax: (43) 6232 5535 4  
office@mobitec-austria.com, austria@invacare.com

**Portugal:**

Invacare Lda, Rua Senhora de Campanhã 105, P-4369-001 Porto  
Tel: (351) (0)225 1059 46147, Fax: (351) (0)225 1057 39  
portugal@invacare.com

**Sverige & Suomi:**

Invacare AB, Fagerstagatan 9, S-163 91 Spånga  
Tel: (46) (0)8 761 70 90, Fax: (46) (0)8 761 81 08  
sweden@invacare.com, finland@invacare.com

**Switzerland:**

Mobitec Rehab AG, Benkenstrasse 260, CH-4108 Wittenswil  
Tel: (41) (0)61 487 70 80, Fax: (41) (0)61 487 70 81  
office@mobitec-rehab.ch, switzerland@invacare.com

**United Kingdom:**

Invacare Ltd, South Road, Bridgend Industrial Estate, UK-Bridgend CF31 3PY  
Tel: (44) (0)1656 664 321, Fax: (44) (0)1656 667 532  
UK@invacare.com