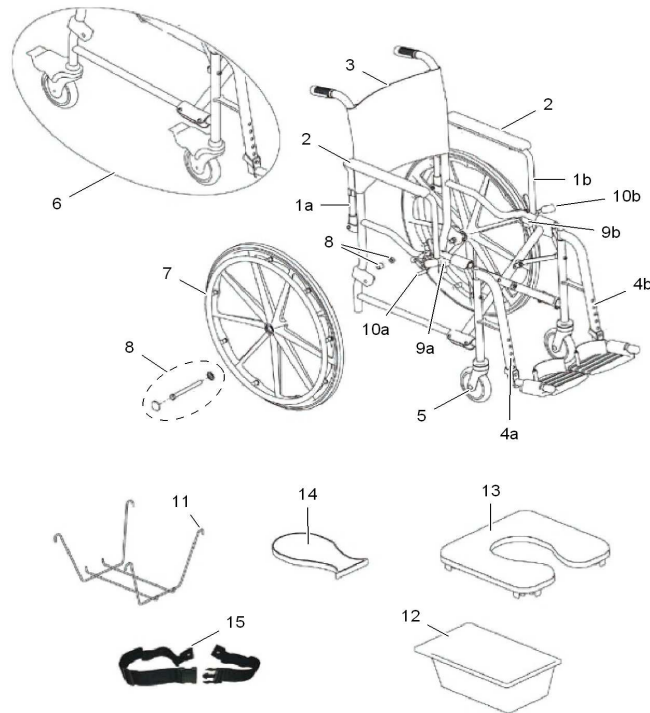


Spare parts H263/H273 Lima

	Item code	Description 1
	1525732	H263 Lima 5"
	1525733	H273 Lima 24"



Pos.	Item code	unit	Description 1	Description 2
1a	1528705	EA	H263/H273 Lima	Armrest assembly, padded, right
1b	1528706	EA	H263/H273 Lima	Armrest assembly, padded, left
2	1528707	EA	H263/H273 Lima	Pad, Arm with Hardware
3	1528708	EA	H263/H273 Lima	Upholstery, back, Nylon w/Attaching
4a	1528709	EA	H263/H273 Lima	Footrest assembly, white, right
4b	1528710	EA	H263/H273 Lima	Footrest assembly, white, left
5	1528711	PR	H263/H273 Lima	Casters 5"
6	1528712	PR	H263/H273 Lima	Casters with brake, 5"
7+8	1528713	EA	H263/H273 Lima	Kit, wheel w/handrims and hardware 24"
8	1528714	EA	H263/H273 Lima	Kit, 24" wheel hardware
9a	1528715	EA	H263/H273 Lima	Socket, arm holder w/ latch and hardware, right
9b	1528716	EA	H263/H273 Lima	Socket, arm holder w/ latch and hardware, left
10a	1528717	EA	H263/H273 Lima	Wheel lock assembly, right
10b	1528718	EA	H263/H273 Lima	Wheel lock assembly, left
11	1528719	EA	H263/H273 Lima	Basket, pail holder
12	1528720	EA	H263/H273 Lima	Pail, pan
13	1528721	EA	H263/H273 Lima	Padded seat assembly, commode
14	1528722	EA	H263/H273 Lima	Plug, seat commode
15	1528723	EA	H263/H273 Lima	Strap, safety position seat