



Yes, you can.®



*Invacare*® **Etude**

*Spare parts catalogue*



CE

# Spare Parts List ETUDE

Information about using this list..... 3

2-sectioned mattress support without tilt EN 1970 / with tilt “EN 1970” ..... 4 - 7

4-sectioned mattress support without tilt EN 1970 / with tilt “EN 1970” ..... 8 - 11

4-sec. mattress support with el. leg sec. without tilt EN 1970/ with tilt “EN 1970” ..... 12 - 15

Mattress support extension ..... 16 - 17

Motor bed end, Basic – 2 pcs. .... 18 - 21

Motor bed end, Classic / Classic low height – 1 pcs. .... 22 – 25

Motor bed end, Classic extra low – 1 pcs. .... 26 – 29

Wooden Side rail – model BRITT III, extended model BRITT II ..... 30 - 31

Side rail steel – model 5519, 5529 ..... 32 - 33

Side rail steel – model 5525 ..... 34 - 35

Side rail steel with plastic insert – model 5526 ..... 36 - 37

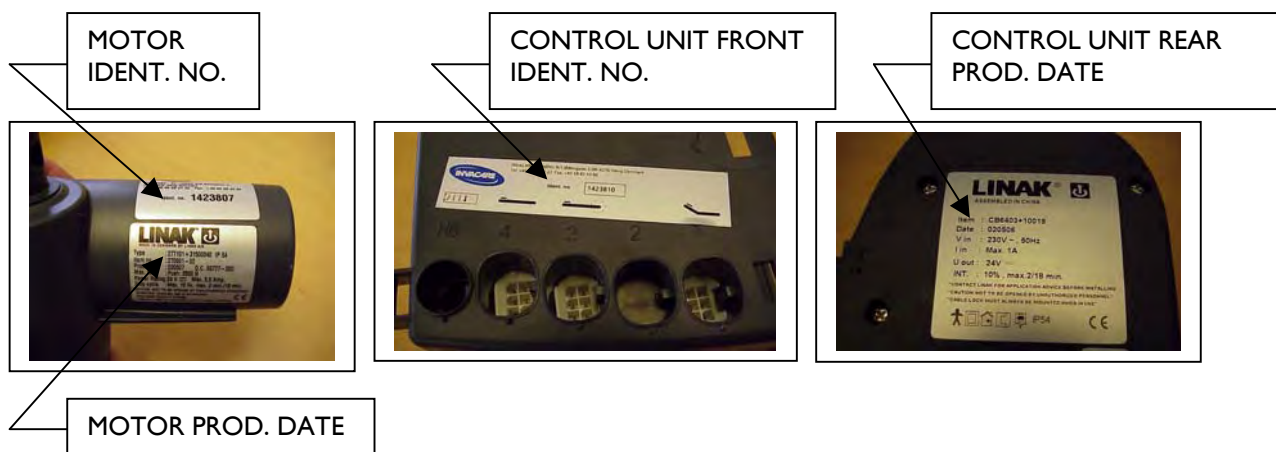
Support, handles ..... 38 - 39

Transport fitting ..... 40 - 41

Lifting pole – model 5760 ..... 42 – 43

Appendix for S385 and Etude – electrical parts..... 44 - 46

**When placing an order for motors and control unit, please see the photos below.**



# Information about using this list

## Order of wearing parts/exchange kit:

In the table of contents on page 2 you can see where in the list you can find the wanted part/kit.  
Wearing parts are sold in exchange kits with an order number for the entire kit.

## Order of spare parts:

In the table of contents on page 2 you can see where in the list you can find the wanted part.

### Single numbers

Pos.	Ident. No.	Pcs.	Description
13	1423845	1	Hand control box with tilt
14	1423814	1	Hand control box without tilt

## Order of a complete unit:

In the table of contents on page 2 you can see where in the list you can find the wanted unit of the bed.

### Backrest Motor package

Ident. No.: 1432658

Pos.	Pcs.	Description
2	1	Lock cam for Control unit
5	2	Pipe pin $\varnothing$ 10x50
6	1	Motor 24V – backrest
16	1	Cable – 200 mm

## Example:

*Needed:* New cable for backrest motor (identical for 2- and 4-sectioned mattress supports).

*Action:* This cable is only available in the “Allround cable package” (pg. 4, 8, 12, 18 or 22) or in the “Backrest Motor package” (pg. 4, 8 or 12).

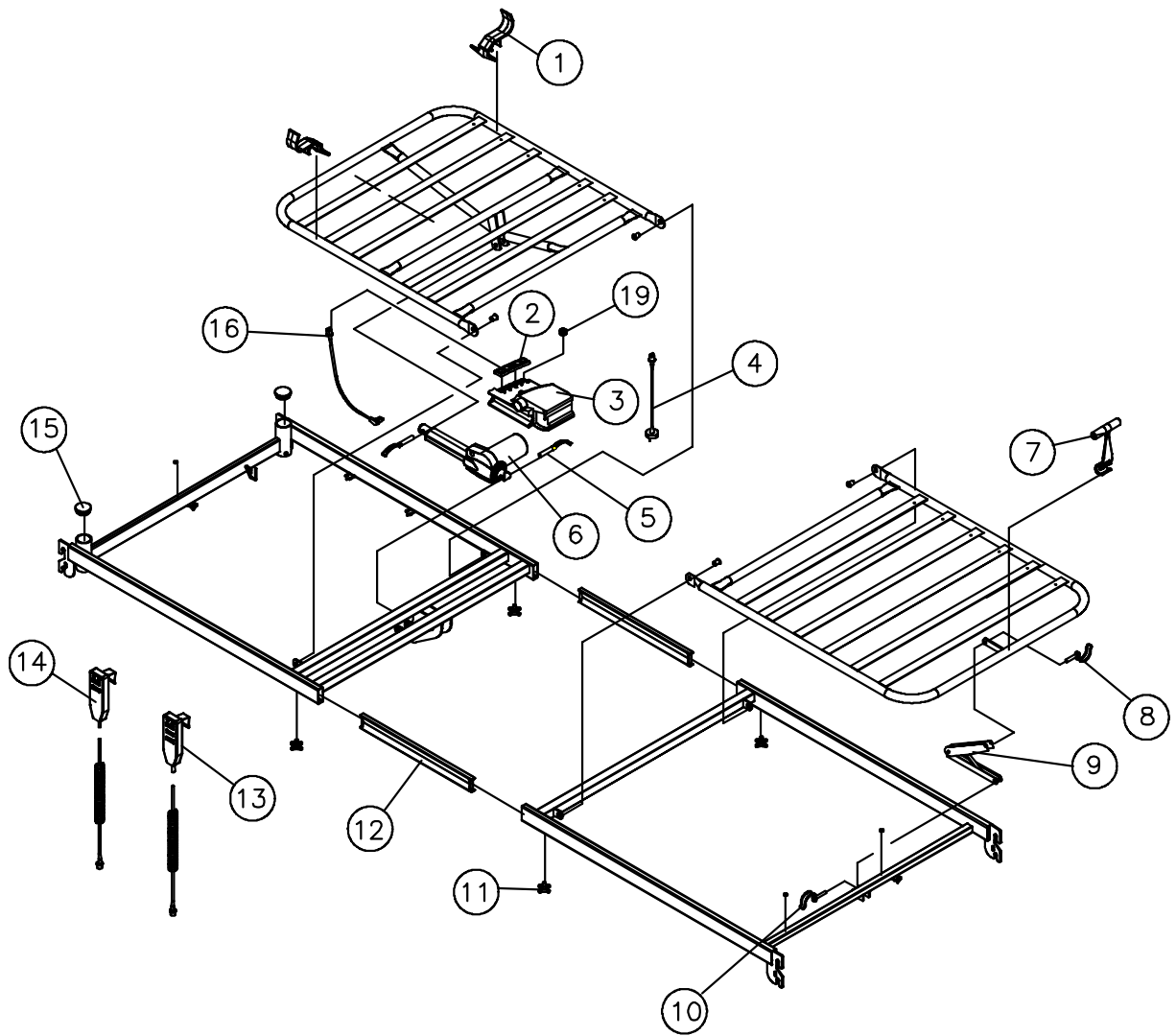
If you choose the “Allround cable package” you will get all cables available for the Invacare® Etude bed.

If the “Backrest Motor package” is chosen you will get the cable together with the backrest motor, a lock cam and two pipe pins.

NOTE: Only the 4 sectioned mattress support is applicable to the UK.

<b>Control unit package</b>			
<b>Ident. No.</b>	<b>Pos.</b>	<b>Pcs.</b>	<b>Description</b>
1432659	2	1	Lock cam for control unit
	3	1	Control unit 230V - EU, UK, AUS/NZ
	4	1	Net cable 3200 mm – EU mains (ETUDE.CE---.XX)
1432660	2	1	Lock cam for control unit
	3	1	Control unit 230V - EU, UK, AUS/NZ
	4	1	Net cable 3200 mm – UK mains (ETUDE.CU---.XX)
1432661	2	1	Lock cam for control unit
	3	1	Control unit 230V - EU, UK, AUS/NZ
	4	1	Net cable 3200 mm – AUS/NZ mains (ETUDE.CA---.XX)
1432662	2	1	Lock cam for control unit
	3	1	Control unit 120V – CDN
	4	1	Net cable 3200 mm – CDN mains (ETUDE.CC---.XX)
1432663	2	1	Lock cam for control unit
	3	1	Control unit 100 V JPN
	4	1	Net cable 3200 mm – JPN mains (ETUDE.CJ---.XX)
	19	1	Plug

<b>Allround cable package</b>			
<b>Ident. No.</b>	<b>Pos.</b>	<b>Pcs.</b>	<b>Description</b>
1432664	2	1	Lock cam for control unit
	4	1	Net cable 3200 mm – EU mains
		1	Cable – 1250 mm + 150 mm twist
	16	1	Cable – 200 mm
		1	Cable – 1250 mm
1432665	2	1	Lock cam for control unit
	4	1	Net cable 3200 mm – UK mains
		1	Cable – 1250 mm + 150 mm twist
	16	1	Cable – 200 mm
		1	Cable – 1250 mm
1432666	2	1	Lock cam for control unit
	4	1	Net cable 3200 mm – AUS/NZ mains
		1	Cable – 1250 mm + 150 mm twist
	16	1	Cable – 200 mm
		1	Cable – 1250 mm
1432667	2	1	Lock cam for control unit
	4	1	Net cable 3200 mm – CDN mains
		1	Cable – 1250 mm + 150 mm twist
	16	1	Cable – 200 mm
		1	Cable – 1250 mm
1432668	2	1	Lock cam for control unit
	4	1	Net cable 3200 mm – JPN mains
	1	1	Cable – 1250 mm + 150 mm twist
	16	1	Cable – 200 mm
		1	Cable – 1250 mm



**2-sectioned mattress support without tilt EN 1970 / with tilt "EN 1970".**

Page 3 of 4

Ident. No.: 2-sectioned mattress support without tilt EN 1970/ with tilt "EN 1970": ETUDE.CXXXXX.XX

January 2006

**Backrest Motor package**

Ident. No.: 1432658

<b>Pos.</b>	<b>Pcs.</b>	<b>Description</b>
2	1	Lock cam for Control unit
5	2	Pipe pin ø10x50
6	1	Motor 24V – backrest
16	1	Cable – 200 mm

**Raise fitting package**

Ident. No.: 1432840

<b>Pos.</b>	<b>Pcs.</b>	<b>Description</b>
8	1	Pipe pin ø6x32
9	1	Raise fitting
10	1	Pipe pin ø8x40

**Plastic package**

Ident. No.: 1427774

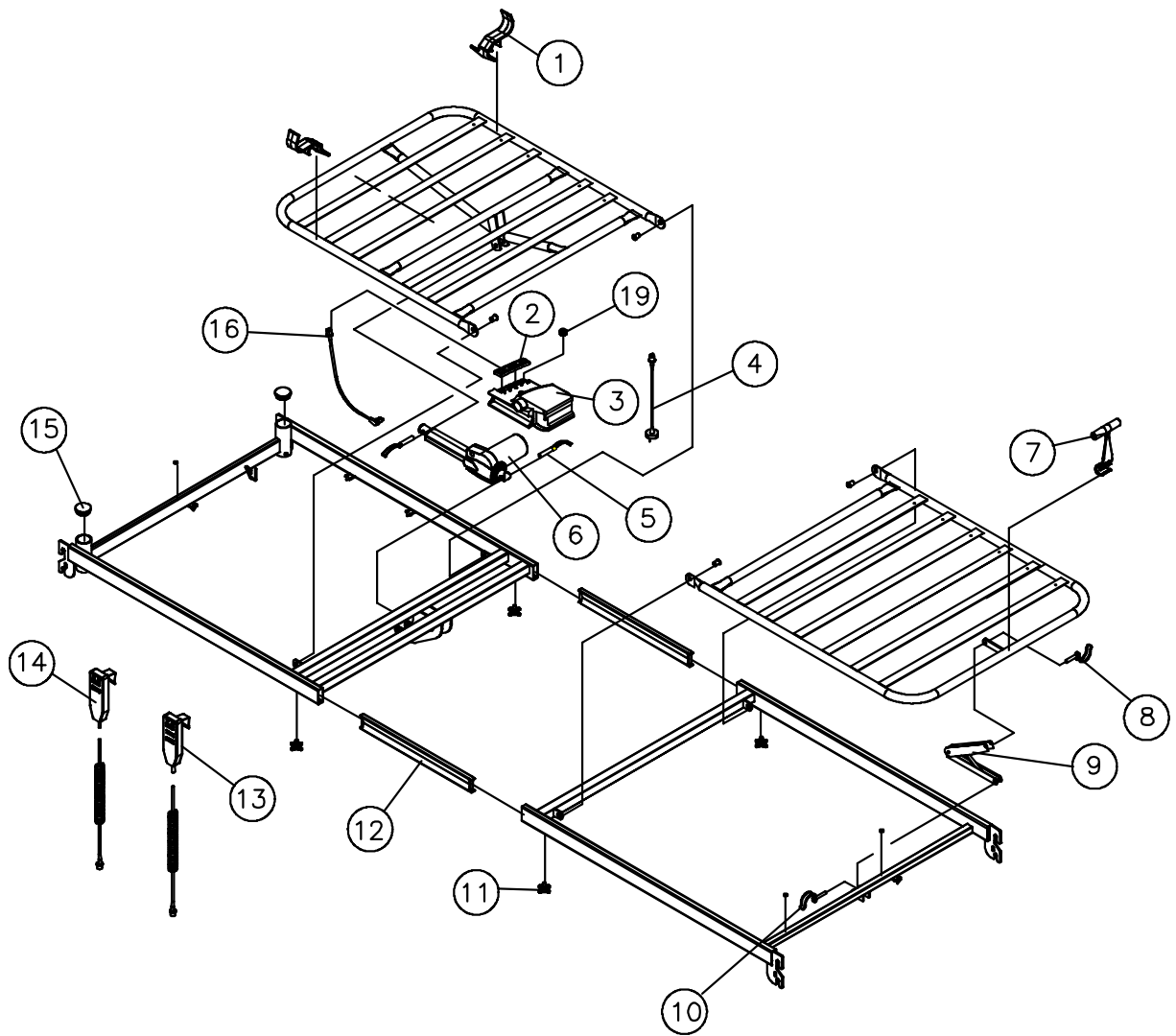
<b>Pos.</b>	<b>Pcs.</b>	<b>Description</b>
1	2	Handle for mattress, low
2	1	Lock cam for Control unit
7	1	Plastic handle
15	2	Butt knob, grey

**Insertion tube package**

<b>Ident. No.</b>	<b>Pos.</b>	<b>Pcs.</b>	<b>Description</b>
1427775	11	4	Thumb screw M8x20
	12	2	Insertion tube
1432764	11	4	Thumb screw M8x20 UK
	12	2	Insertion tube

**Single numbers**

<b>Pos.</b>	<b>Ident. No.</b>	<b>Pcs.</b>	<b>Description</b>
13	1423845	1	Hand control box with tilt
14	1423814	1	Hand control box without tilt
13	1434048	1	Soft control with tilt
14	1434049	1	Soft control without tilt



**Control unit package**

<b>Ident. No.</b>	<b>Pos.</b>	<b>Pcs.</b>	<b>Description</b>
1432669	2	1	Lock cam for control unit
	3	1	Control unit 230V EU, UK, AUS/NZ
	4	1	Net cable 3200 mm – EU mains (ETUDE.EE---.XX), (ETUDE.GE---.XX)
1432670	2	1	Lock cam for control unit
	3	1	Control unit 230V EU, UK, AUS/NZ
	4	1	Net cable 3200 mm – UK mains (ETUDE.EU---.XX), (ETUDE.GU---.XX)
1432671	2	1	Lock cam for control unit
	3	1	Control unit 230V EU, UK, AUS/NZ
	4	1	Net cable 3200 mm – AUS/NZ mains (ETUDE.EA---.XX), (ETUDE.GA---.XX)
1432672	2	1	Lock cam for control unit
	3	1	Control unit 120V CDN
	4	1	Net cable 3200 mm – CDN mains (ETUDE.EC---.XX), (ETUDE.GC---.XX)
1432673	2	1	Lock cam for control unit
	3	1	Control unit 100 V JPN
	4	1	Net cable 3200 mm – JPN mains (ETUDE.EJ---.XX), (ETUDE.GJ---.XX)

**Allround cable package**

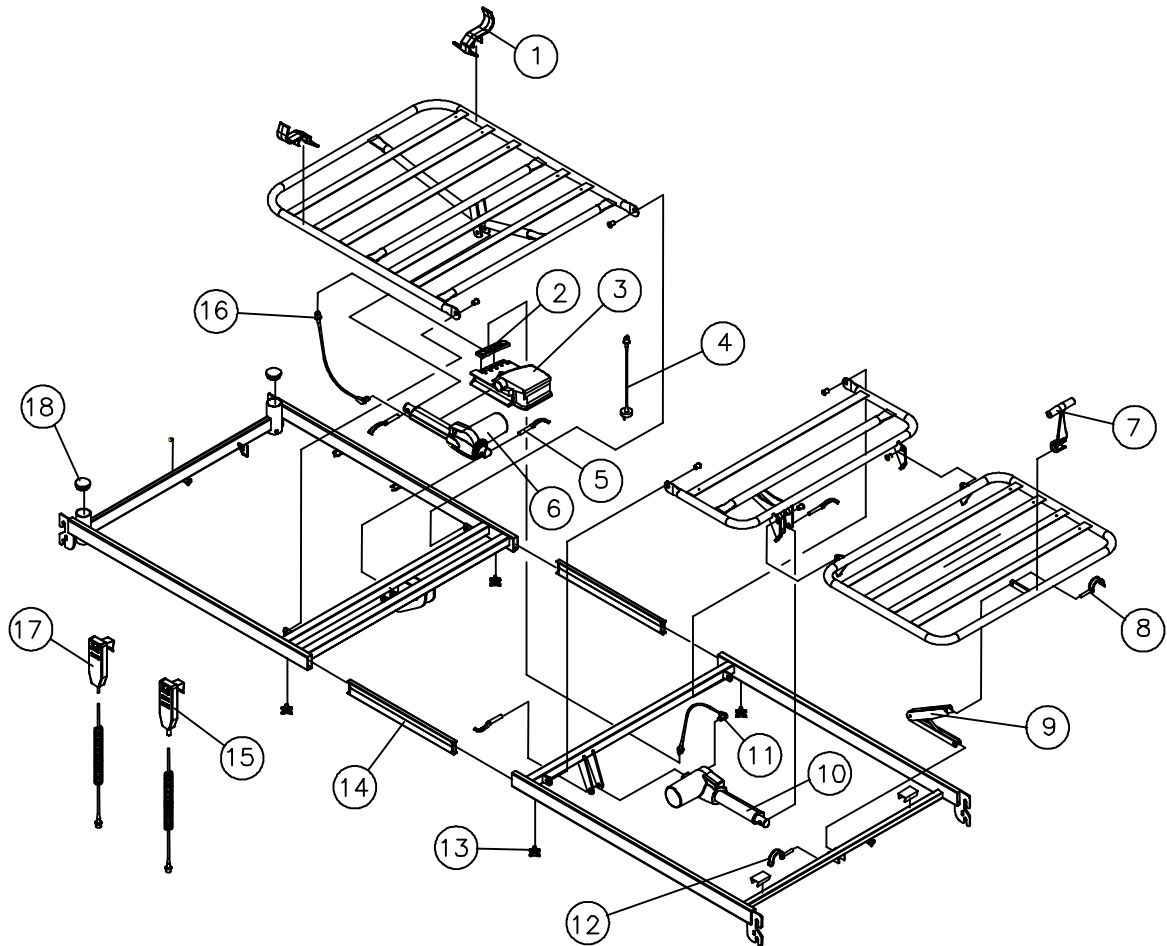
<b>Ident. No.</b>	<b>Pos.</b>	<b>Pcs.</b>	<b>Description</b>
1432664	2	1	Lock cam for control unit
	4	1	Net cable 3200 mm – EU mains
		1	Cable – 1250 mm + 150 mm twist
	16	1	Cable – 200 mm
	11	1	Cable – 1250 mm
1432665	2	1	Lock cam for control unit
	4	1	Net cable 3200 mm – UK mains
		1	Cable – 1250 mm + 150 mm twist
	16	1	Cable – 200 mm
	11	1	Cable – 1250 mm
1432666	2	1	Lock cam for control unit
	4	1	Net cable 3200 mm – AUS/NZ mains
		1	Cable – 1250 mm + 150 mm twist
	16	1	Cable – 200 mm
	11	1	Cable – 1250 mm
1432667	2	1	Lock cam for control unit
	4	1	Net cable 3200 mm – CDN mains
		1	Cable – 1250 mm + 150 mm twist
	16	1	Cable – 200 mm
	11	1	Cable – 1250 mm
1432668	2	1	Lock cam for control unit
	4	1	Net cable 3200 mm – JPN mains
		1	Cable – 1250 mm + 150 mm twist
	16	1	Cable – 200 mm
	11	1	Cable – 1250 mm



**4-sectioned mattress support without tilt EN 1970 / with tilt "EN 1970".**

Ident. No.: 4-sectioned mattress support without tilt EN 1970/ with tilt "EN 1970": ETUDE.EXXXX.XX

January 2006



**4-sectioned mattress support without tilt EN 1970 / with tilt "EN 1970".**

Page 3 of 4

Ident. No.: 4-sectioned mattress support without tilt EN 1970/ with tilt "EN 1970": ETUDE.EXXXX.XX

January 2006

**Backrest Motor package**

Ident. No.: 1432658

<b>Pos.</b>	<b>Pcs.</b>	<b>Description</b>
2	1	Lock cam for Control unit
5	2	Pipe pin ø10x50
6	1	Motor 24V – backrest
16	1	Cable – 200 mm

**Motor package - thigh and leg section**

Ident. No.: 1432674

<b>Pos.</b>	<b>Pcs.</b>	<b>Description</b>
2	1	Lock cam for control unit
5	2	Pipe pin ø10x50
10	1	Motor 24V – leg section
11	1	Cable – 1250 mm

**Backup battery package**

Ident. No.: 1449687-XXXX

**Raise fitting package**

Ident. No.: 1427773

<b>Pos.</b>	<b>Pcs.</b>	<b>Description</b>
8	1	Pipe pin ø8x40
9	1	Raise fitting
12	1	Pipe pin ø6x32

**Plastic package**

Ident. No.: 1427774

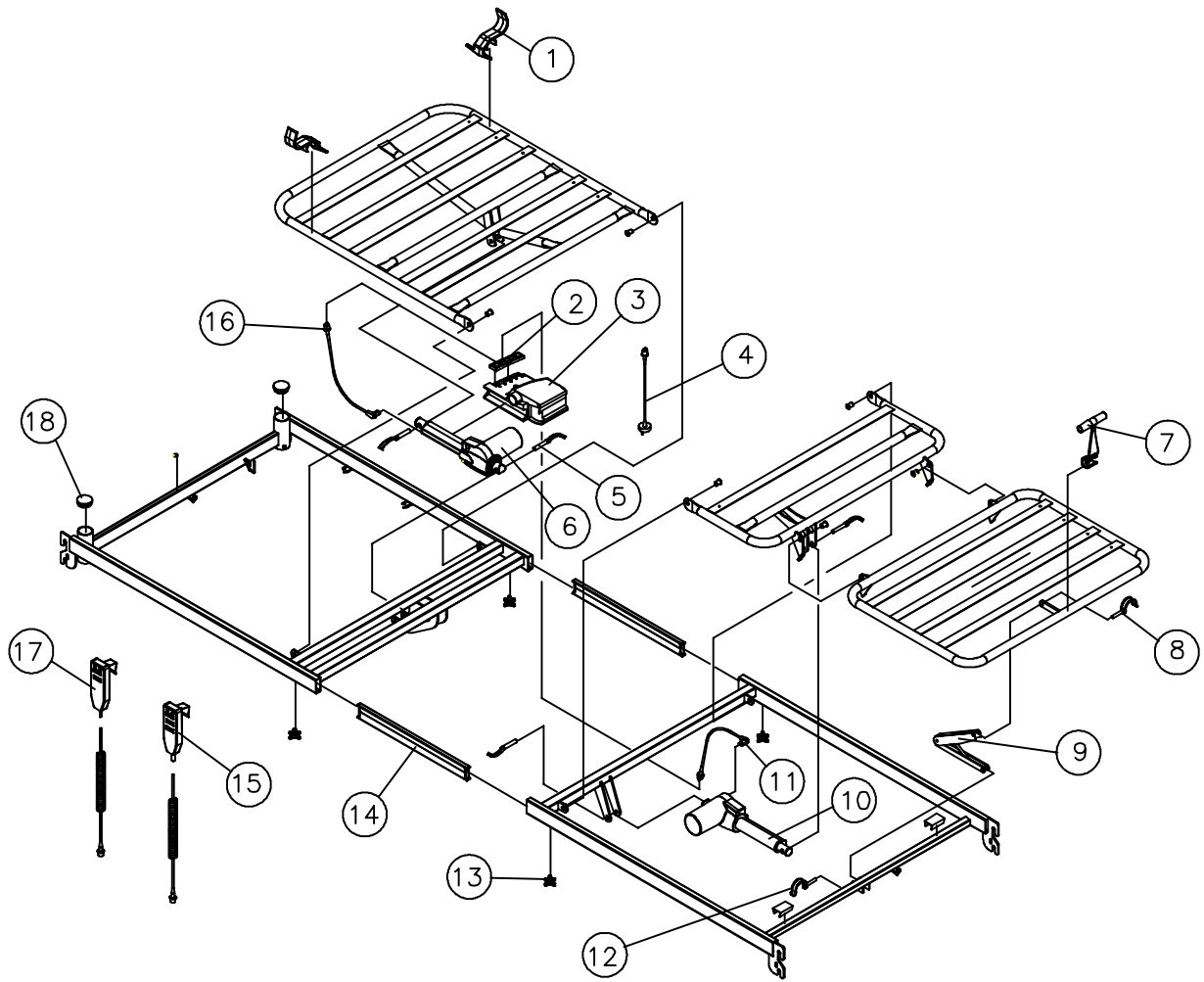
<b>Pos.</b>	<b>Pcs.</b>	<b>Description</b>
1	2	Handle for mattress, low
2	1	Lock cam for Control unit
7	1	Plastic handle
18	2	Butt knob, grey

**Insertion tube package**

<b>Ident. No.</b>	<b>Pos.</b>	<b>Pcs.</b>	<b>Description</b>
1427775	13	4	Thumb screw M8x20
	14	2	Insertion tube
1432764	13	4	Thumb screw M8x20 UK
	14	2	Insertion tube

**Single numbers**

<b>Pos.</b>	<b>Ident. No.</b>	<b>Pcs.</b>	<b>Description</b>
15	1423846	1	Hand control box with tilt
17	1423815	1	Hand control box without tilt
15	1434046	1	Soft control with tilt
17	1434047	1	Soft control without tilt

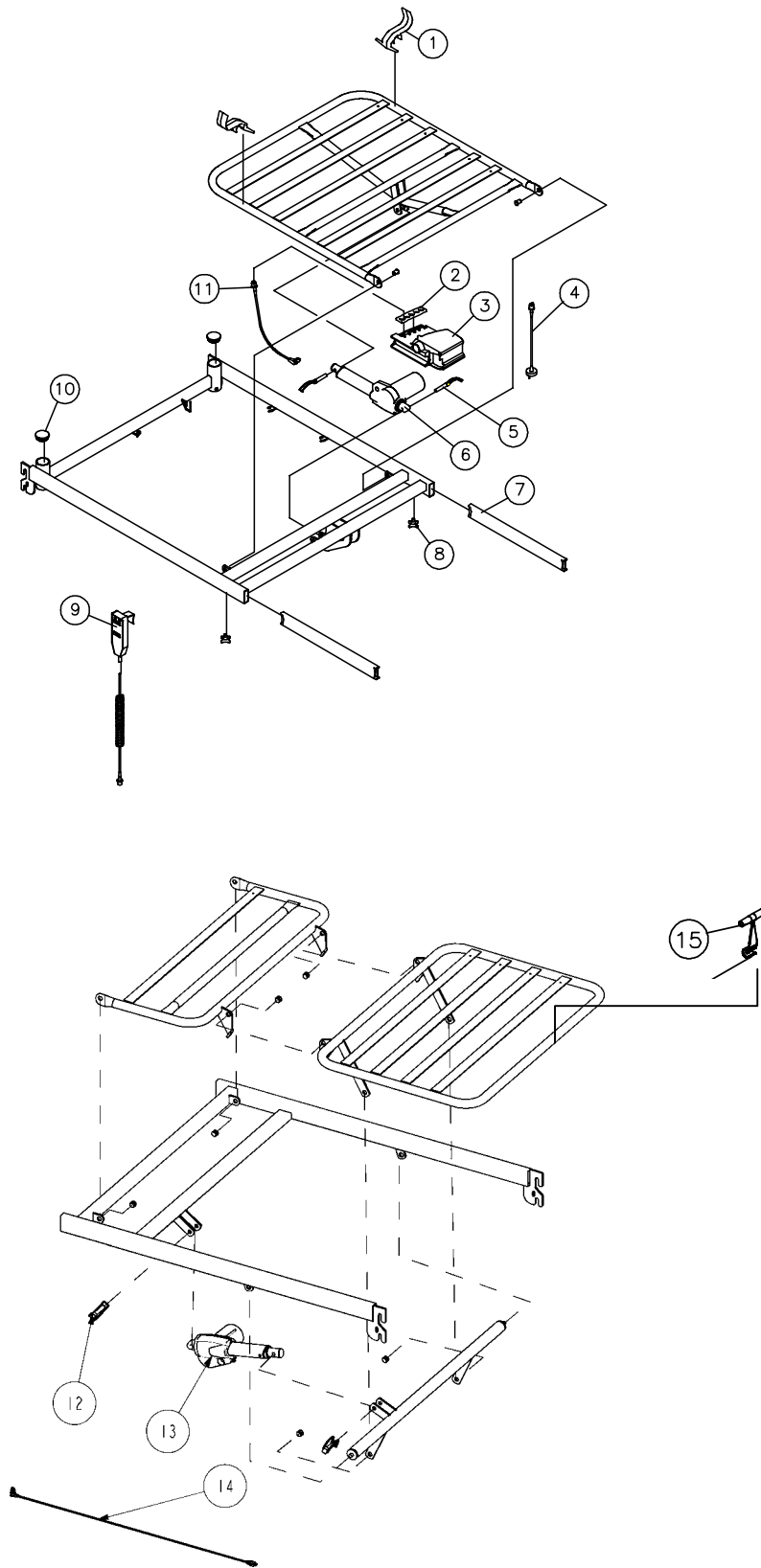


### Control unit package

<i>Ident. No.</i>	<i>Pos.</i>	<i>Pcs.</i>	<i>Description</i>
1432669	2	1	Lock cam for Control unit
	3	1	Control unit 230V EU, UK, AUS/NZ
	4	1	Net cable 3200 mm – EU mains (ETUDE.GE---.XX), (ETUDE.EE---.XX)
1432670	2	1	Lock cam for Control unit
	3	1	Control unit 230V EU, UK, AUS/NZ
	4	1	Net cable 3200 mm – UK mains (ETUDE.GU---.XX), (ETUDE.EU---.XX)
1432671	2	1	Lock cam for Control unit
	3	1	Control unit 230V EU, UK, AUS/NZ
	4	1	Net cable 3200 mm – AUS/NZ mains (ETUDE.GA---.XX), (ETUDE.EA---.XX)
1432672	2	1	Lock cam for Control unit
	3	1	Control unit 120V CDN
	4	1	Net cable 3200 mm – CDN mains (ETUDE.GC---.XX), (ETUDE.EC---.XX)
1432673	2	1	Lock cam for Control unit
	3	1	Control unit 100 V JPN
	4	1	Net cable 3200 mm – JPN mains (ETUDE.GJ---.XX), (ETUDE.EJ---.XX)

### Allround cable package

<i>Ident. No.</i>	<i>Pos.</i>	<i>Pcs.</i>	<i>Description</i>
1432664	2	1	Lock cam for control unit
	4	1	Net cable 3200 mm – EU mains
		1	Cable – 1250 mm + 150 mm twist
	11	1	Cable – 200 mm
	14	1	Cable – 1250 mm
1432665	2	1	Lock cam for control unit
	4	1	Net cable 3200 mm – UK mains
		1	Cable – 1250 mm + 150 mm twist
	11	1	Cable – 200 mm
	14	1	Cable – 1250 mm
1432666	2	1	Lock cam for control unit
	4	1	Net cable 3200 mm – AUS/NZ mains
		1	Cable – 1250 mm + 150 mm twist
	11	1	Cable – 200 mm
	14	1	Cable – 1250 mm
1432667	2	1	Lock cam for control unit
	4	1	Net cable 3200 mm – CDN mains
		1	Cable – 1250 mm + 150 mm twist
	11	1	Cable – 200 mm
	14	1	Cable – 1250 mm
1432668	2	1	Lock cam for control unit
	4	1	Net cable 3200 mm – JPN mains
		1	Cable – 1250 mm + 150 mm twist
	11	1	Cable – 200 mm
	14	1	Cable – 1250 mm



### Backrest Motor package

Ident. No.: 1432658

Pos.	Pcs.	Description
2	1	Lock cam for Control unit
5	2	Pipe pin ø10x50
6	1	Motor 24V – backrest
11	1	Cable – 200 mm

### Motor package - thigh and leg section

Ident. No.: 1432674

Pos.	Pcs.	Description
2	1	Lock cam for control unit
5	2	Pipe pin ø10x50
13	1	Motor 24V – leg section
14	1	Cable – 1250 mm

### Backup battery package

Ident. No.: 1449687-XXXX

### Plastic package

Ident. No.: 1427774

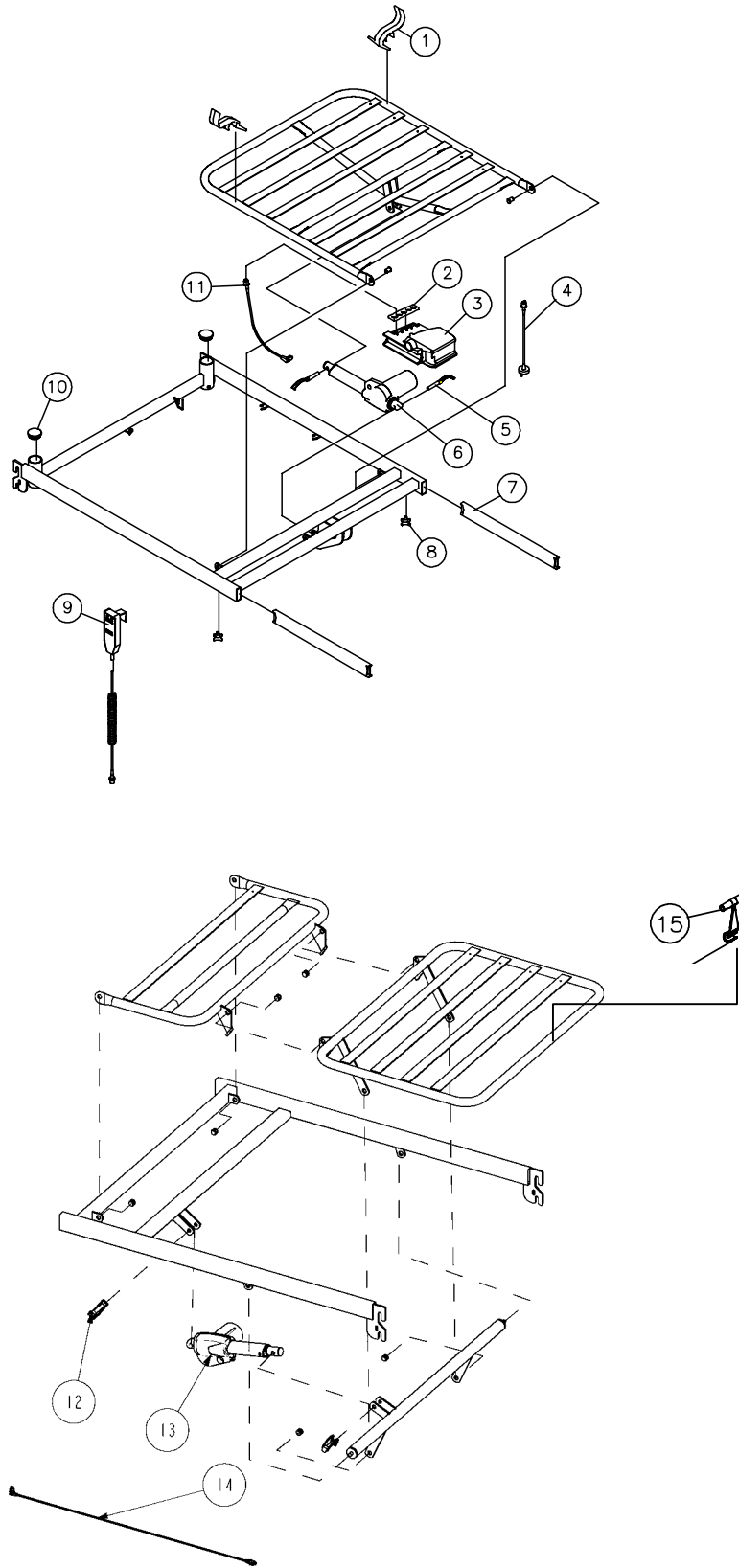
Pos.	Pcs.	Description
1	2	Handle for mattress, low
2	1	Lock cam for Control unit
10	2	Butt knob, grey
15	1	Plastic handle

### Insertion tube package

Ident. No.	Pos.	Pcs.	Description
1427775	8	4	Thumb screw M8x20
	7	2	Insertion tube
1432764	8	4	Thumb screw M8x20 UK
	7	2	Insertion tube

### Single numbers

Pos.	Ident. No.	Pcs.	Description
9	1423815	1	Hand control box without tilt
9	1434047	1	Soft control without tilt



**Mattress Support Extension**

Page 1 of 2

Ident. No.: Mattress support extension – 10 cm: I423993-XXXX

Ident. No.: Mattress support extension – 20 cm: I423994-XXXX

January 2006

**Single numbers**

<b>Pos.</b>	<b>Ident. No.: 10 cm</b>	<b>Ident. No.: 20 cm</b>	<b>Pcs.</b>	<b>Description</b>
1	818313	818313	2	Thumb screw

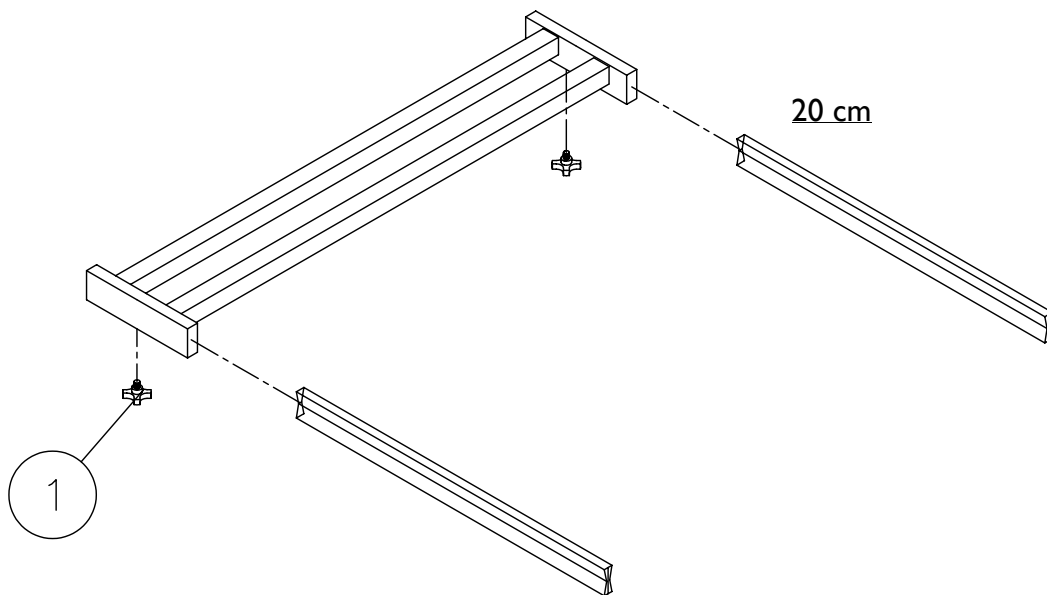
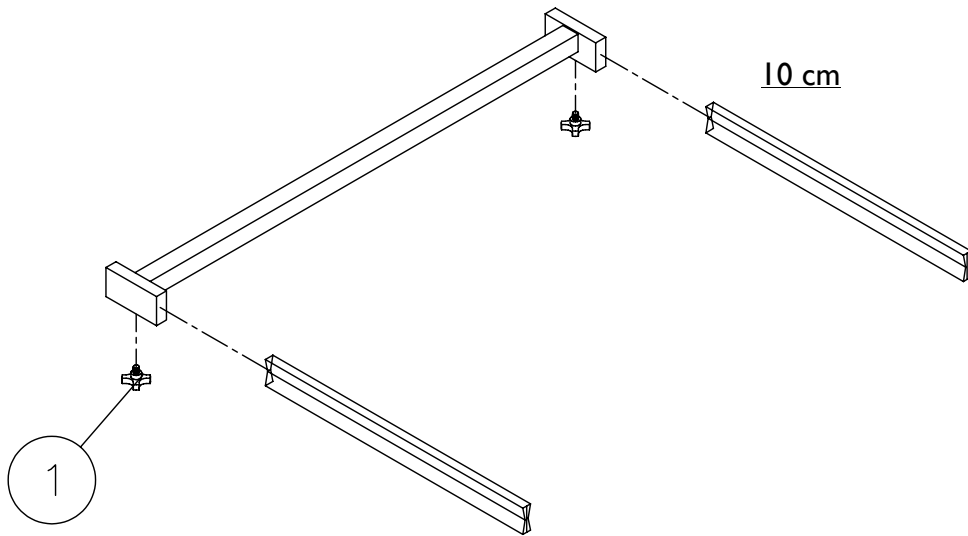


# Mattress Support Extension

Ident. No.: Mattress support extension – 10 cm: I423993-XXXX

Ident. No.: Mattress support extension – 20 cm: I423994-XXXX

January 2006



**Allround cable package**

<i>Ident. No.</i>	<i>Pos.</i>	<i>Pcs.</i>	<i>Description</i>
1432664		1	Lock cam for control unit
		1	Net cable 3200 mm – EU mains
	10	1	Cable – 1250 mm + 150 mm twist
		2	Cable – 200 mm
		1	Cable – 1250 mm
1432665		1	Lock cam for control unit
		1	Net cable 3200 mm – UK mains
	10	1	Cable – 1250 mm + 150 mm twist
		2	Cable – 200 mm
		1	Cable – 1250 mm
1432666		1	Lock cam for control unit
		1	Net cable 3200 mm – AUS/NZ mains
	10	1	Cable – 1250 mm + 150 mm twist
		2	Cable – 200 mm
		1	Cable – 1250 mm
1432667		1	Lock cam for control unit
		1	Net cable 3200 mm – CDN mains
	10	1	Cable – 1250 mm + 150 mm twist
		2	Cable – 200 mm
		1	Cable – 1250 mm
1432668		1	Lock cam for control unit
		1	Net cable 3200 mm – JPN mains
	10	1	Cable – 1250 mm + 150 mm twist
		2	Cable – 200 mm
		1	Cable – 1250 mm

**Telescopic leg package**

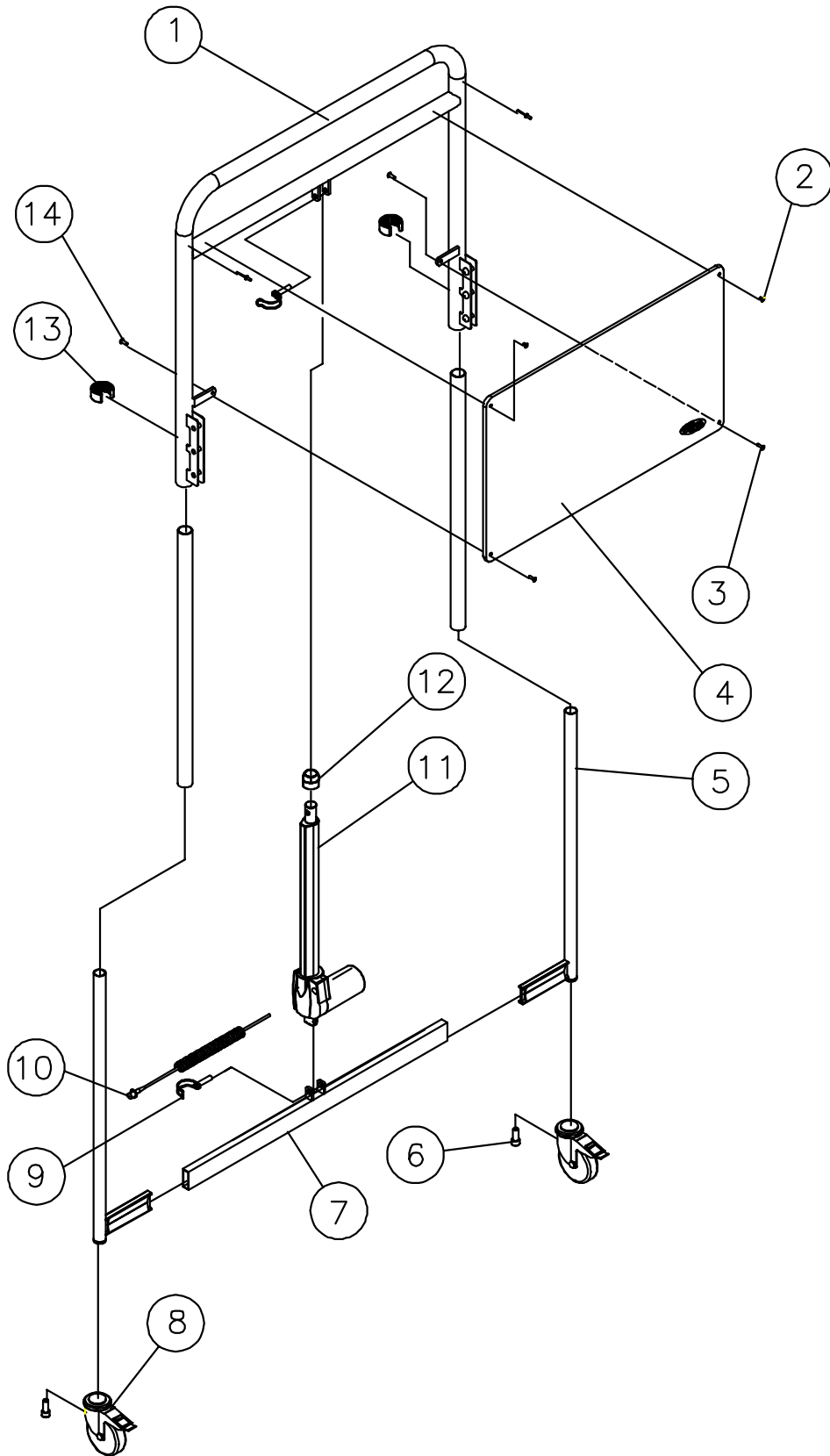
Ident. No.: 1432681

<i>Pos.</i>	<i>Pcs.</i>	<i>Description</i>
5	4	Telescopic leg
7	2	Spacer piece

**Bed end package**

Ident. No.: 1432682

<i>Pos.</i>	<i>Pcs.</i>	<i>Description</i>
2	4	Pop rivet RH 4,8x10
3	4	Pop rivet RH 4,8x16
4	2	Bed end
14	4	Cover, female



**Motor bed end – 2 pcs. Basic**

Ident. No.: ETUDE.000CI. XX

Page 3 of 4

January 2006

**Motor package**

Ident. No.: 1432680

<i>Pos.</i>	<i>Pcs.</i>	<i>Description</i>
9	2	Pipe pin $\varnothing$ 10x50
10	1	Cable LA27 – 1250 mm + 150 mm twist cable
11	1	Motor 24V – LA27
12	1	Plastic cap

**Lock package**

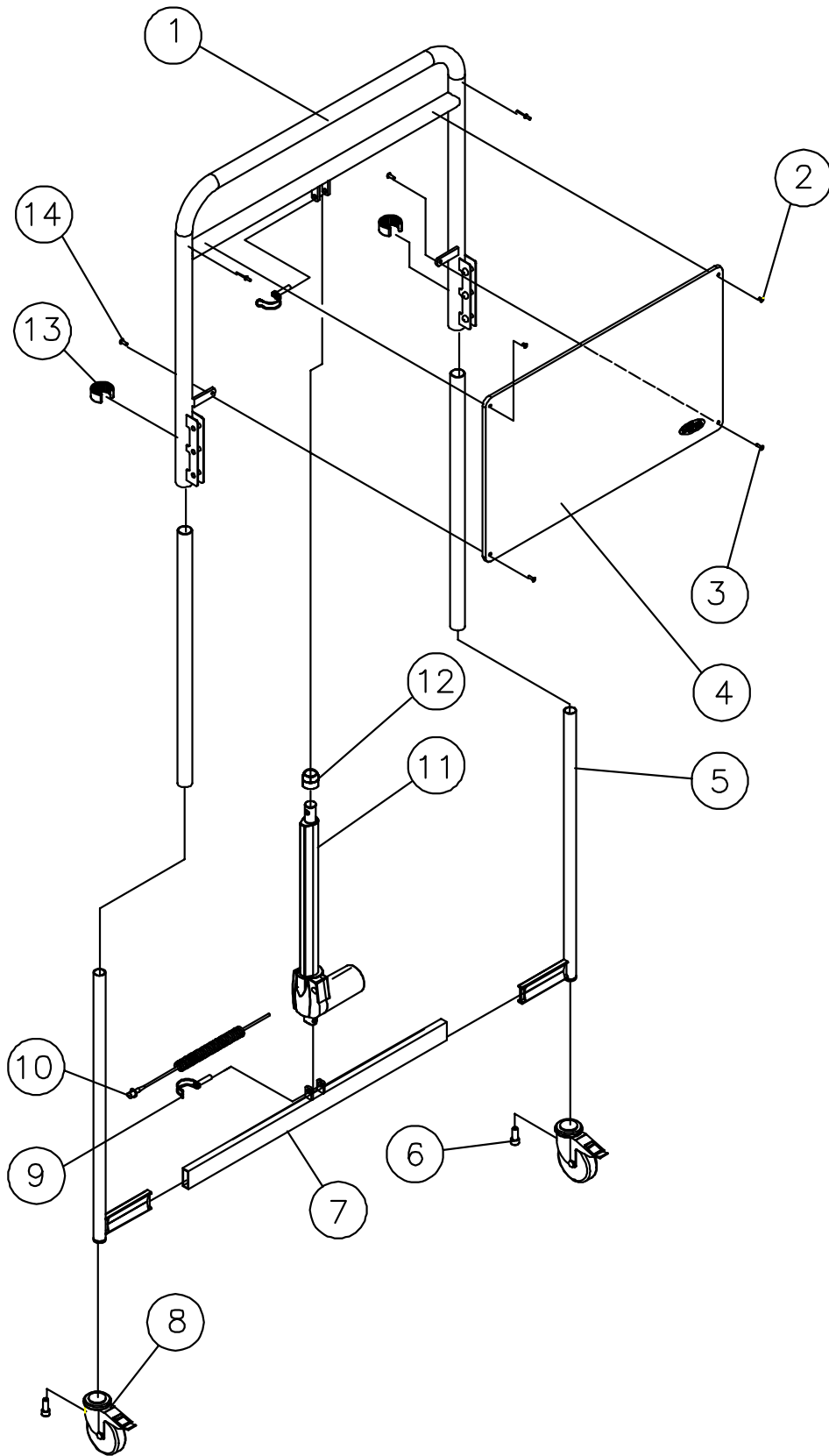
Ident. No.: 1432683

<i>Pos.</i>	<i>Pcs.</i>	<i>Description</i>
13	4	Lock ring $\varnothing$ 52x $\varnothing$ 37,5x24

**Wheel package**

Ident. No.: 1432684

<i>Pos.</i>	<i>Pcs.</i>	<i>Description</i>
6	4	Screw M12x30
8	4	Wheel $\varnothing$ 100 mm



**Motor bed end – 1 pcs. Classic**

Page 1 of 4

Ident. No.: ETUDE.000FI.XX 30 – 70 cm – Low heights

Ident. No.: ETUDE.000EI.XX 40 – 80 cm – Standard heights

January 2006

**Allround cable package**

<b>Ident. No.</b>	<b>Pos.</b>	<b>Pcs.</b>	<b>Description</b>
1432664		1	Lock cam for control unit
		1	Net cable 3200 mm – EU mains
	17	1	Cable – 1250 mm + 150 mm twist
		2	Cable – 200 mm
		1	Cable – 1250 mm
1432665		1	Lock cam for control unit
		1	Net cable 3200 mm – UK mains
	17	1	Cable – 1250 mm + 150 mm twist
		2	Cable – 200 mm
		1	Cable – 1250 mm
1432666		1	Lock cam for control unit
		1	Net cable 3200 mm – AUS/NZ mains
	17	1	Cable – 1250 mm + 150 mm twist
		2	Cable – 200 mm
		1	Cable – 1250 mm
1432667		1	Lock cam for control unit
		1	Net cable 3200 mm – CDN mains
	17	1	Cable – 1250 mm + 150 mm twist
		2	Cable – 200 mm
		1	Cable – 1250 mm
1432668		1	Lock cam for control unit
		1	Net cable 3200 mm – JPN mains
	17	1	Cable – 1250 mm + 150 mm twist
		2	Cable – 200 mm
		1	Cable – 1250 mm

**Motor package**

Ident. No.: 1432822

<b>Pos.</b>	<b>Pcs.</b>	<b>Description</b>
9	2	Pipe pin $\varnothing$ 10x50
15	1	Plastic cap
16	1	Motor 24V – LA27
17	1	Cable LA27 – 1250 mm + 150 mm twist cable

**Wheel package**

Ident. No.: 1432685

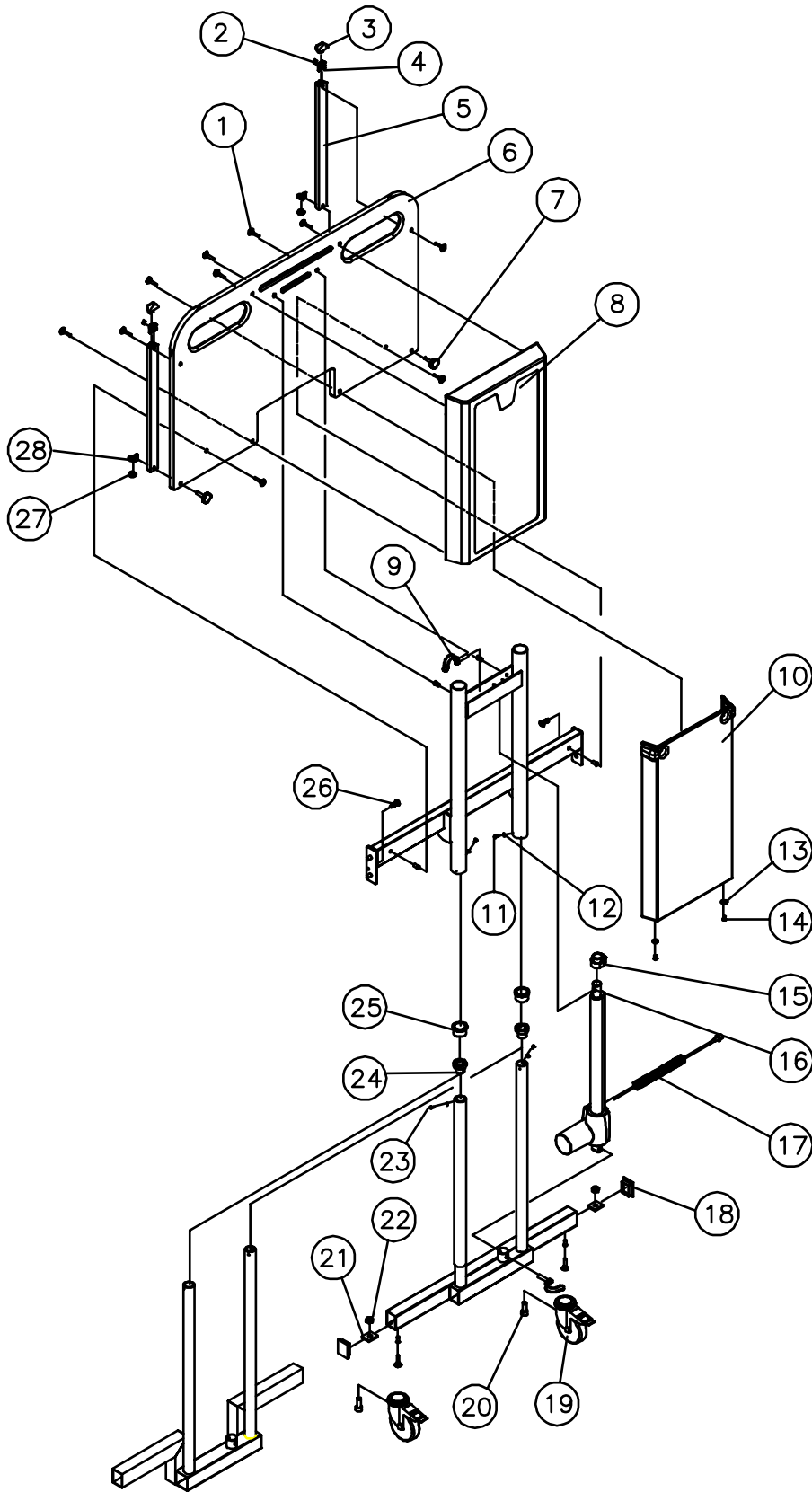
<b>Pos.</b>	<b>Pcs.</b>	<b>Description</b>
18	2	Ferrule 50x40
19	2	Wheel $\varnothing$ 100 mm
20	2	Screw M12x30
21	2	Lap
22	2	Lock nut M12

**Motor bed end - 1 pcs. Classic**

Ident. No.: ETUDE.000FI.XX 30 - 70 cm - Low heights

Ident. No.: ETUDE.000EI.XX 40 - 80 cm - Standard heights

January 2006



**Motor bed end – 1 pcs. Classic**

Page 3 of 4

Ident. No.: ETUDE.000FI.XX 30 – 70 cm – Low heights

Ident. No.: ETUDE.000EI.XX 40 – 80 cm – Standard heights

January 2006

**Cover package**

Ident. No.: I432686

<b>Pos.</b>	<b>Pcs.</b>	<b>Description</b>
1	10	Furniture screw M6x35
8	1	Cover, outer
10	1	Cover, inner
13	2	Shield washer M6
14	2	Screw M6x10

**Slide bar package**

Ident. No.: I432687

<b>Pos.</b>	<b>Pcs.</b>	<b>Description</b>
2	2	Nut M6
3	2	Ferrules
4	2	Plastic bearing
5	2	Slide bar
7	2	Adjusting screw M6x40
26	2	Quick lock with trail
27	2	Buffer
28	2	End stop

**Screw package**

Ident. No.: I432688

<b>Pos.</b>	<b>Pcs.</b>	<b>Description</b>
11	4	Screw M4x6
12	4	Washer M4
23	4	Screw, M3,5x8
24	2	Slide plug for telescopic leg
25	2	Slide plug for bed end

**Single numbers**

<b>Pos.</b>	<b>Ident. No.</b>	<b>Pcs.</b>	<b>Description</b>
6	I427607-0101	1	Bed end
26	I417838	2	Quick lock with trail

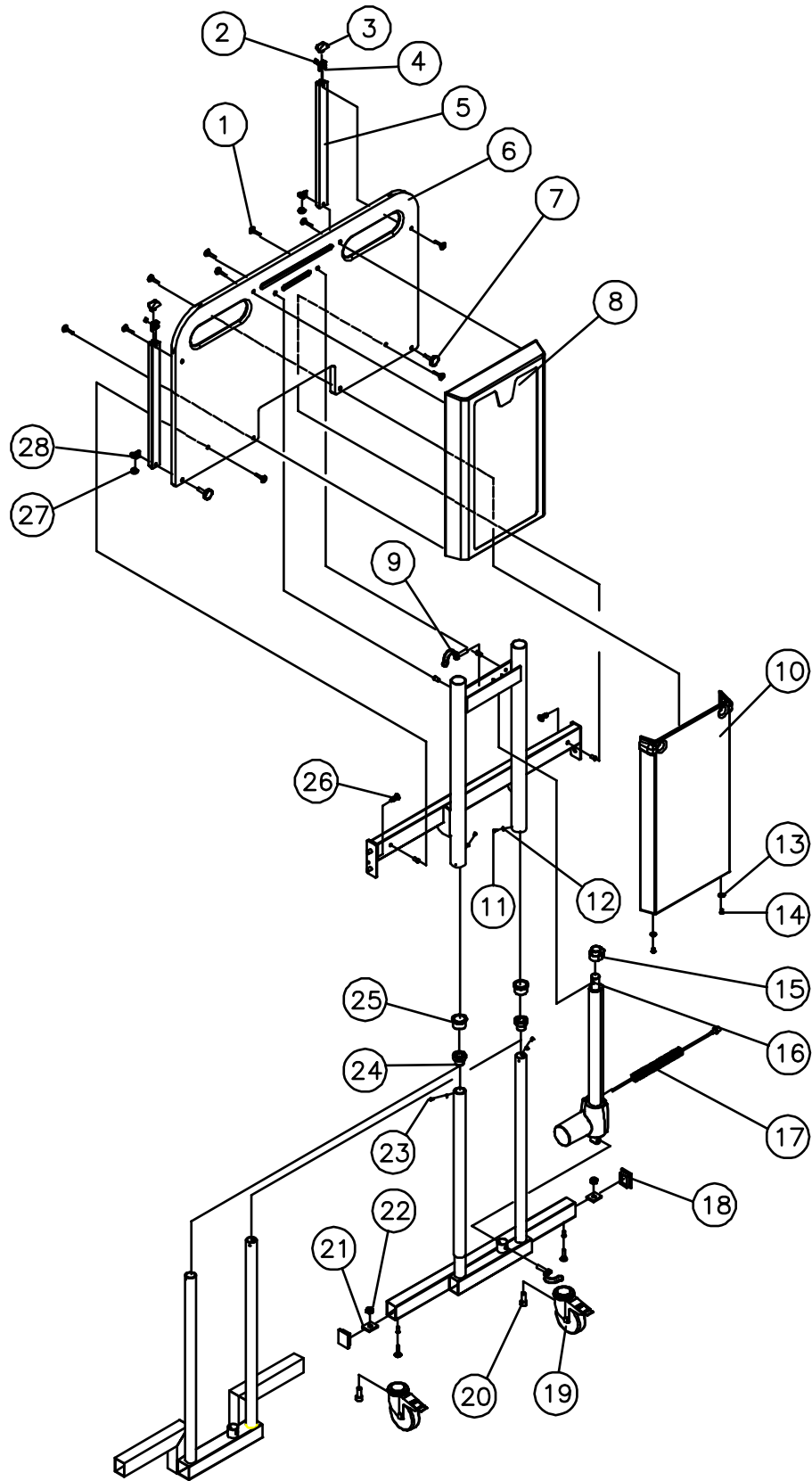


**Motor bed end – 1 pcs. Classic**

Ident. No.: ETUDE.000FI.XX 30 – 70 cm – Low heights

Ident. No.: ETUDE.000EI.XX 40 – 80 cm – Standard heights

January 2006



**Allround cable package**

<b>Ident. No.</b>	<b>Pos.</b>	<b>Pcs.</b>	<b>Description</b>
1432664		1	Lock cam for control unit
		1	Net cable 3200 mm – EU mains
	23	1	Cable – 1250 mm + 150 mm twist
		2	Cable – 200 mm
		1	Cable – 1250 mm
1432665		1	Lock cam for control unit
		1	Net cable 3200 mm – UK mains
	23	1	Cable – 1250 mm + 150 mm twist
		2	Cable – 200 mm
		1	Cable – 1250 mm
1432666		1	Lock cam for control unit
		1	Net cable 3200 mm – AUS/NZ mains
	23	1	Cable – 1250 mm + 150 mm twist
		2	Cable – 200 mm
		1	Cable – 1250 mm
1432667		1	Lock cam for control unit
		1	Net cable 3200 mm – CDN mains
	23	1	Cable – 1250 mm + 150 mm twist
		2	Cable – 200 mm
		1	Cable – 1250 mm
1432668		1	Lock cam for control unit
		1	Net cable 3200 mm – JPN mains
	23	1	Cable – 1250 mm + 150 mm twist
		2	Cable – 200 mm
		1	Cable – 1250 mm

**Motor package**

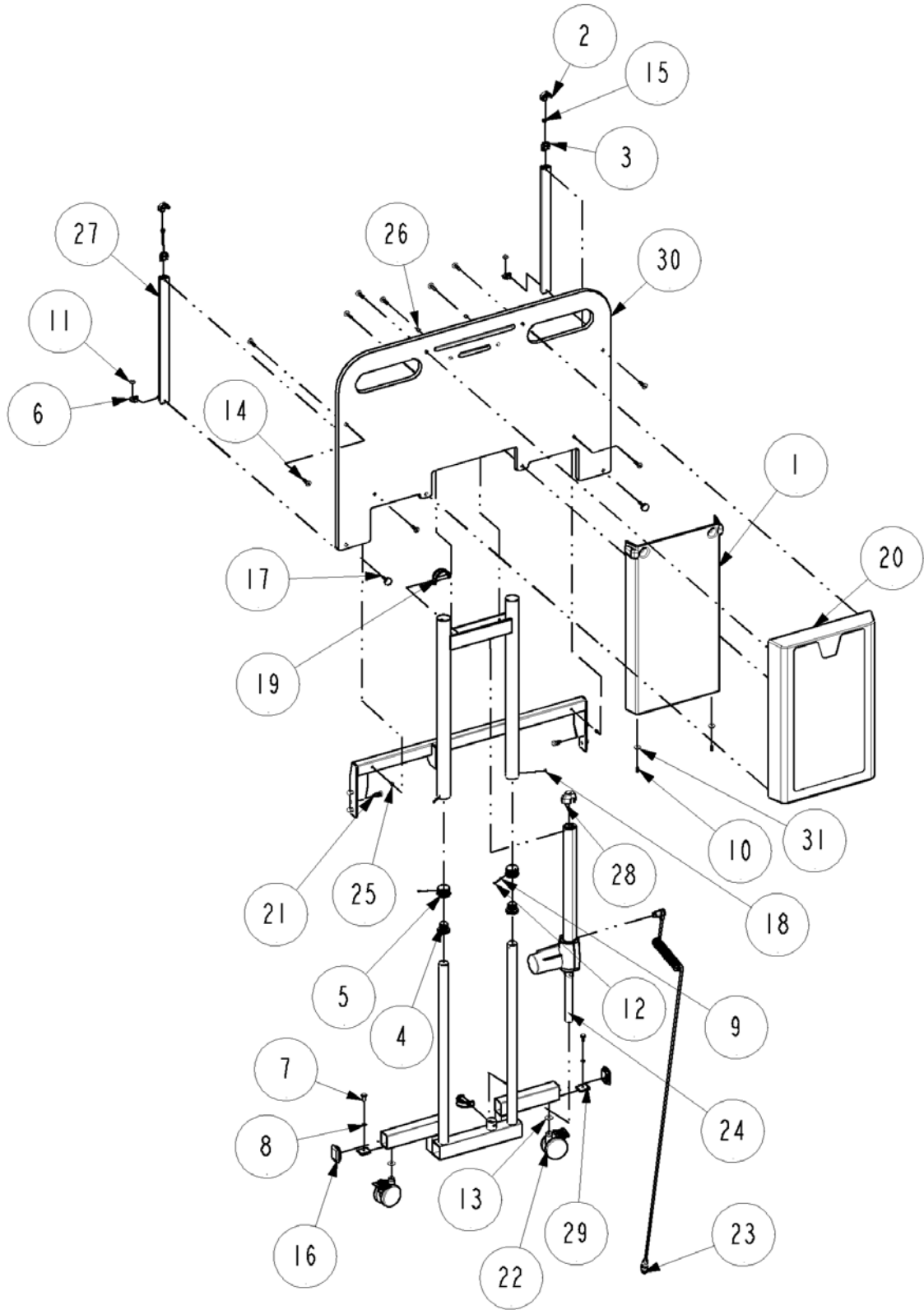
Ident. No.: 1432822

<b>Pos.</b>	<b>Pcs.</b>	<b>Description</b>
19	2	Pipe pin Ø10,0 x 50
23	1	Cable, motor LA27 1250mm + 150mm twist cable
24	1	24 V motor
28	1	Plastic cover

**Wheel package**

Ident. No.: 1435191

<b>Pos.</b>	<b>Pcs.</b>	<b>Description</b>
7	2	Screw ISO4017M08x020 Elzn
8	2	Washer DIN127B B08 elzn
13	2	Washer DIN9021A ø8 ELZN.
16	2	Ferrule, inside Black, vl 50x40
22	2	Brake castor d 75mm
29	2	Lug



**Motor bed end – 1 pcs. Classic extra low**

Ident. No.: ETUDE.000G2XX

Page 3 of 4

January 2006

**Cover package**

Ident. No.: 1432686

<b>Pos.</b>	<b>Pcs.</b>	<b>Description</b>
1	1	Inner shield
10	2	Screw zn ISO7380 M06X016
14	10	Furniture screw M6x35
20	1	Outer shield
31	2	Washer

**Slide bar package**

Ident. No.: 1435190

<b>Pos.</b>	<b>Pcs.</b>	<b>Description</b>
2	2	End plug
3	2	Plast-holder
6	2	End stop
11	2	Buffer
15	2	Nut DIN557 M6 ELZN
17	2	Regulating screw M6x16
21	2	Quick lock with trail
27	2	Slide bar

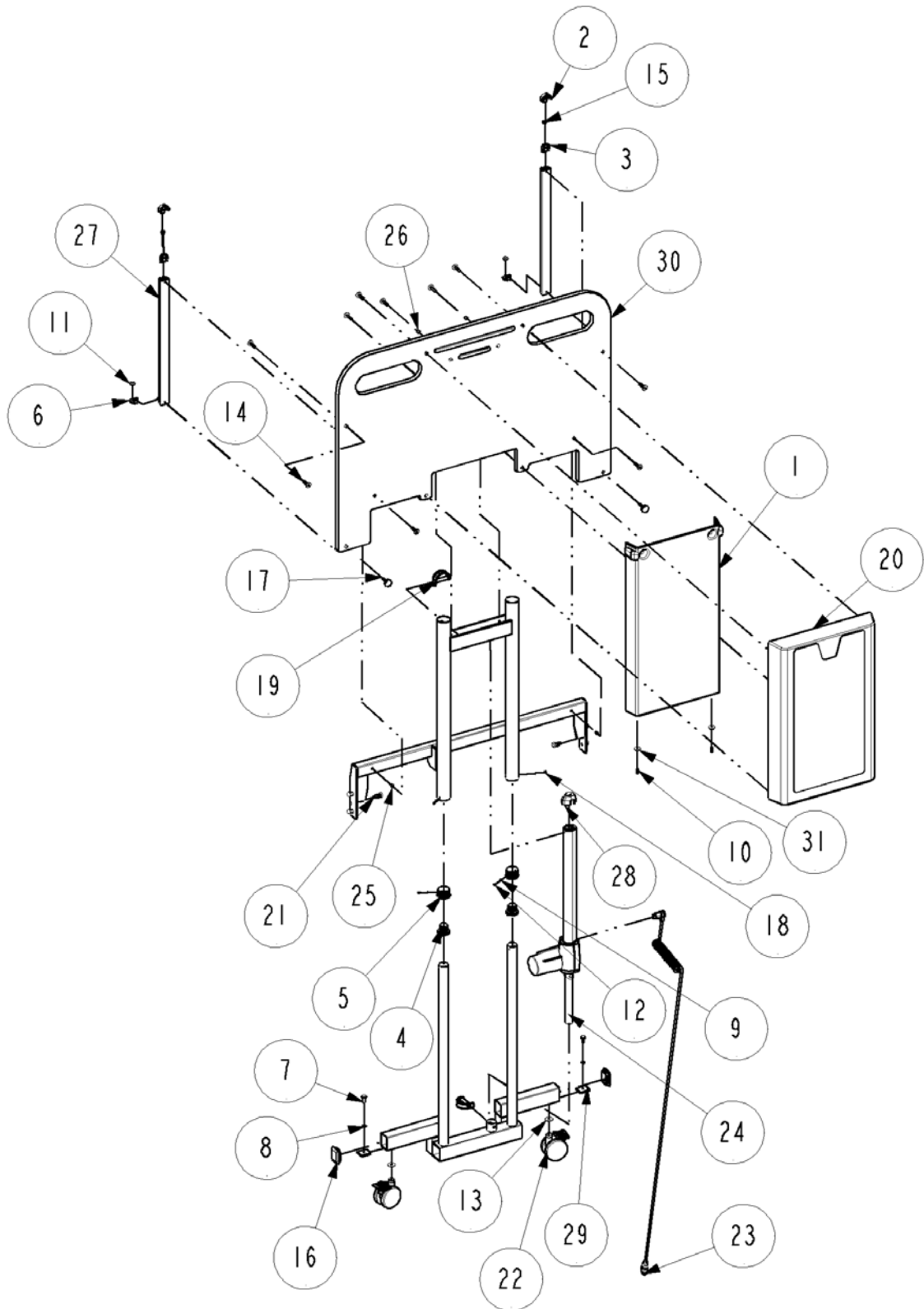
**Screw package**

Ident. No.: 1432688

<b>Pos.</b>	<b>Pcs.</b>	<b>Description</b>
4	2	Slide plug
5	2	Slide plug
9	4	Washer DIN125A-04 ELZN
12	2	Screw DIN7981-C st.3.5x08
18	2	Screw torx DIN 7045 M4x06 Elzn

**Single numbers**

<b>Pos.</b>	<b>Ident. No.</b>	<b>Pcs.</b>	<b>Description</b>
30	1427607-0101	1	Bed end
21	1417838	2	Quick lock with trail



**Wooden Side rail - BRITT III, BRITT II**

Page 1 of 2

Ident. No.: Wooden Side rail BRITT III for 200 cm mattress support : 020434.XX

Ident. No.: Wooden Side rail: BRITT II extended: 019376.XX

January 2006

**Slide arrangement**

Ident. No.: 020023

<b>Pos.</b>	<b>Pcs.</b>	<b>Description</b>
1	8	Book screw, female
2	2	Screw for chip board ø3x20
6	4	Slide arrangement
7	4	Pin
11	8	Book screw, male

**Release package**

Ident. No.: 020024

<b>Pos.</b>	<b>Pcs.</b>	<b>Description</b>
2	4	Screw for chip board ø3x20
3	8	Spacer piece for release lever
4	8	Release lever
5	4	Wire
8	4	Ratchet, right
10	4	Ratchet, left

**Single numbers**

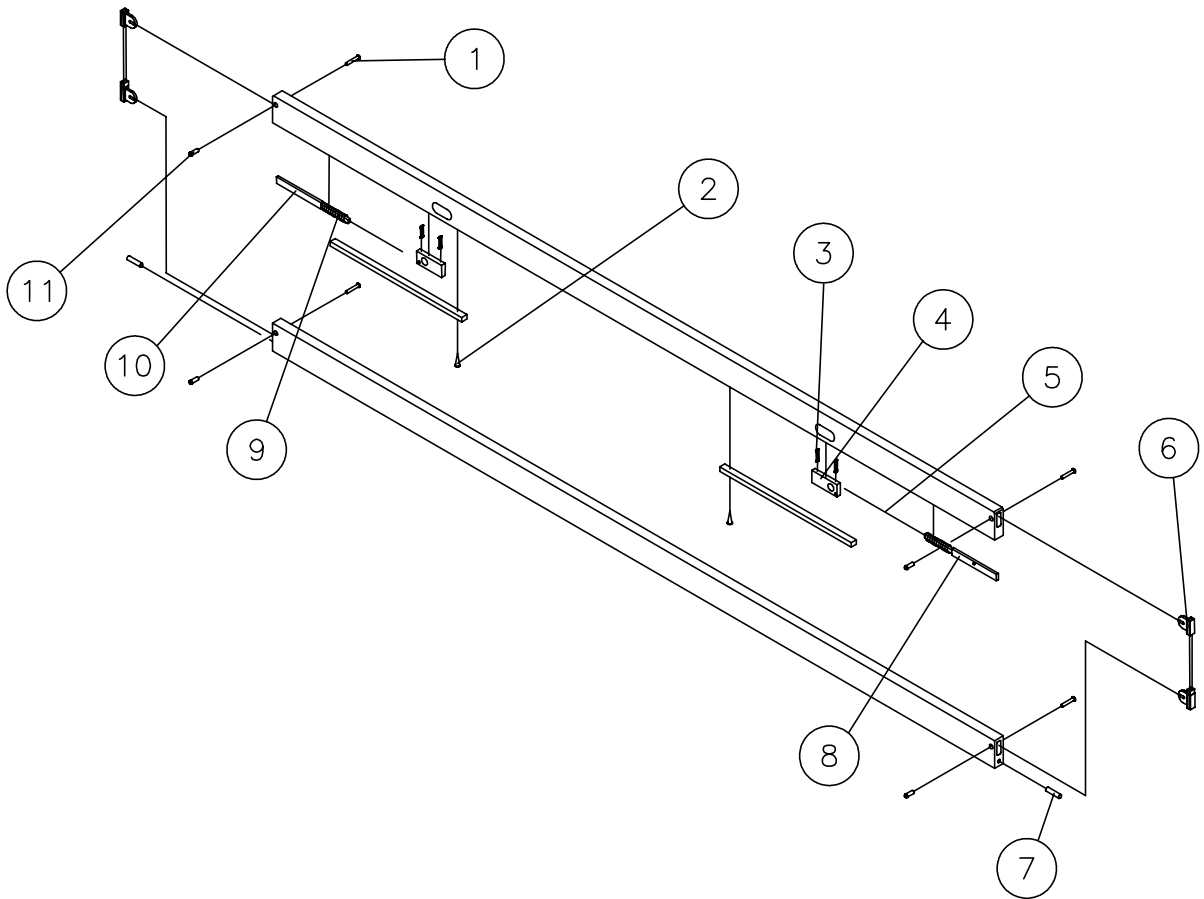
<b>Pos.</b>	<b>Ident. No.</b>	<b>Pcs.</b>	<b>Description</b>
9	413760	4	Spring

**Wooden Side rail - BRITT III, BRITT II**

Ident. No.: Wooden Side rail BRITT III for 200 cm mattress support : 020434.XX

Ident. No.: Wooden Side rail: BRITT II extended: 019376.XX

January 2006



**Side rail steel – model 5519 / 5529 – 2 stk.**

Page 1 of 2

Ident. No.: Model 5519 – for 200 cm mattress support: 50.55190.XX/L+R

Ident. No.: Model 5529 – for 220 cm mattress support: 50.55290.XX/L+R

January 2006

**Lock package**

Ident. No.: 020026

<i>Pos.</i>	<i>Pcs.</i>	<i>Description</i>
2	2	Release button
3	2	Lock pin
4	2	Spring

**Single numbers**

<i>Pos.</i>	<i>Ident. No. 5519</i>	<i>Ident. No. 5529</i>	<i>Pcs.</i>	<i>Description</i>
1	804399	804399	6	Ferrule
5	804386	804386	6	Ferrule
6	821268	821268	4	Thumb screw
	1415774	1415774	2	Sign for placement of Side rail

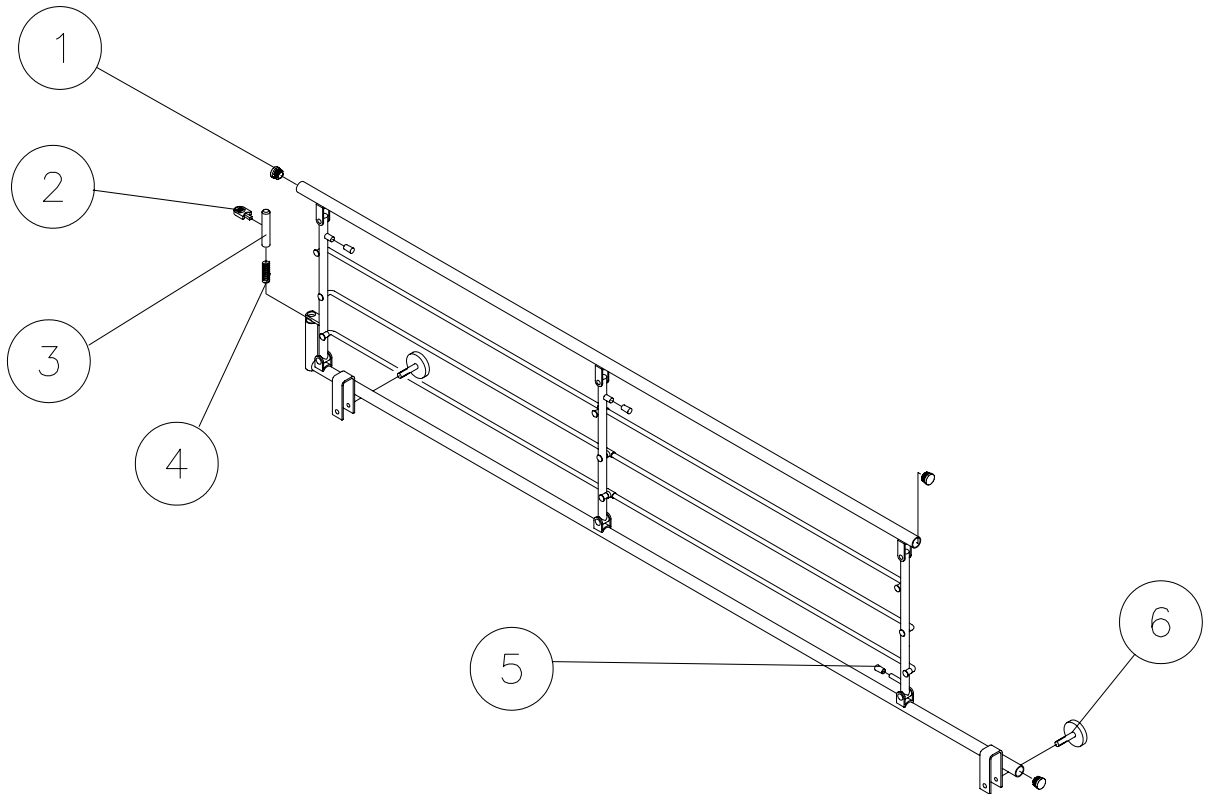


**Side rail steel - model 5519 / 5529 - 2 stk.**

Ident. No.: Model 5519 - for 200 cm mattress support: 50.55190.XX/L+R

Ident. No.: Model 5529 - for 220 cm mattress support: 50.55290.XX/L+R

January 2006



**Side rail steel without vertical stansions – model 5525**

Page 1 of 2

Ident. No.: Model 5525: 50.55250.XX/L+R

January 2006

**Locking package**

Ident. No.: 1423773

<i>Pos.</i>	<i>Pcs.</i>	<i>Description</i>
1	2	Locking button
2	2	Twist clamp pin ø3x20
3	2	Button for ratchet lock
4	2	Ratchet lock
5	2	Spring

**Thumb screw package**

Ident. No.: 1423774

<i>Pos.</i>	<i>Pcs.</i>	<i>Description</i>
6	4	Cylinder nut
10	4	Thumb screw M6x45

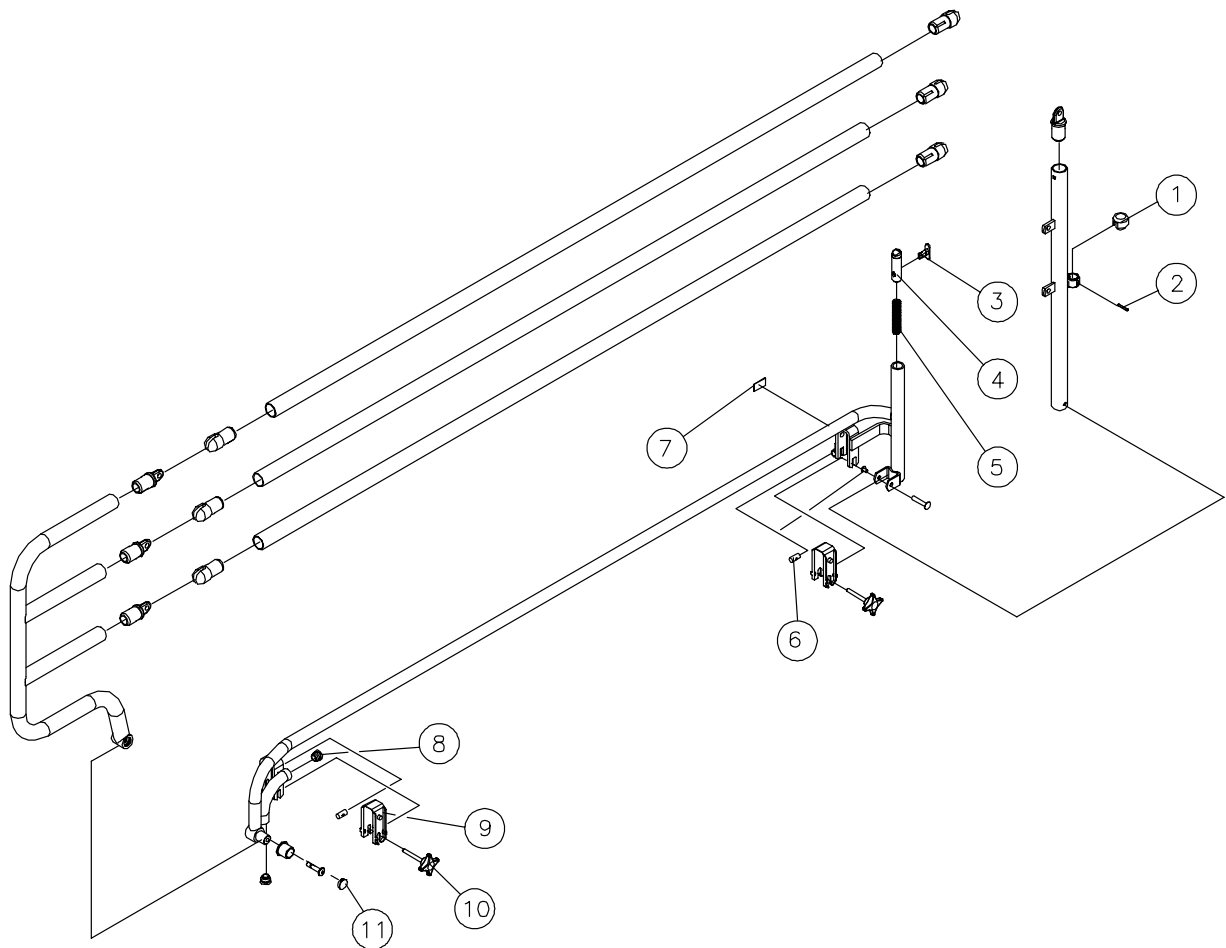
**Plastic package**

Ident. No.: 1423775

<i>Pos.</i>	<i>Pcs.</i>	<i>Description</i>
8	2	Ferrule
9	4	Plastic insert
11	2	Ferrule

**Single numbers**

<i>Pos.</i>	<i>Ident. No.</i>	<i>Pcs.</i>	<i>Description</i>
7	1415773	1	Sign for placement of side rail



**Side rail with plastic insert – model 5526**

Page 1 of 2

Ident. No.: Model 5526: 50.55260.XX/L+R

January 2006

**Release package**

Ident. No.: 020026

<i>Pos.</i>	<i>Pcs.</i>	<i>Description</i>
2	2	Release button
3	2	Lock pin
4	2	Spring

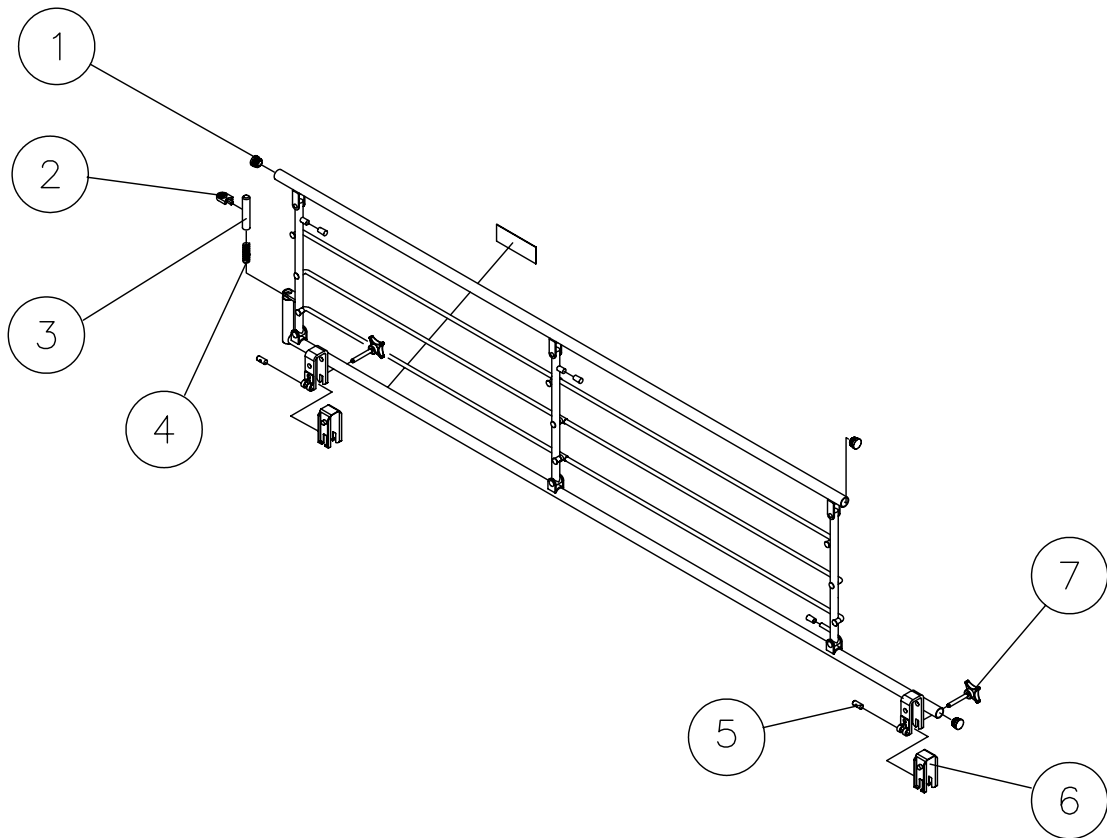
**Thumb screw package**

Ident. No.: 1432689

<i>Pos.</i>	<i>Pcs.</i>	<i>Description</i>
1	6	Ferrule
5	4	Cylinder nut
6	4	Plastic insert
7	4	Thumb screw

**Single numbers**

<i>Pos.</i>	<i>Ident. No.</i>	<i>Pcs.</i>	<i>Description</i>
	1415774	1	Sign for placement of side rail



**Support handles**

Ident. No.: Support, high 25x30cm 021964.XX

Ident. No.: Support, high 25x80cm 1417510-XXXX

Ident. No.: Support, high 40x30cm 1417511-XXXX

Ident. No.: Support, high 40x50cm 021963.XX

Ident. No.: Support, high 40x95cm 1417512-XXXX

January 2006

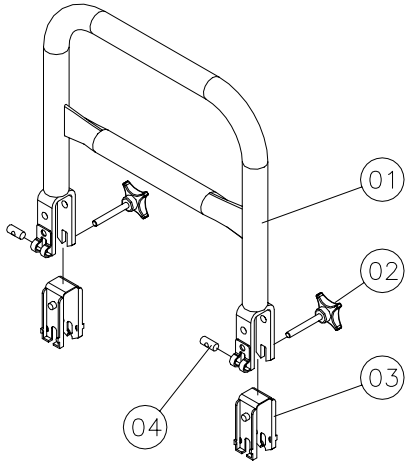
<b>Ident. No.</b>	<b>Pos.</b>	<b>Pcs.</b>	<b>Description</b>
021964.XX	1	1	Support, high
	2	1	Thumb screw
	3	1	Insert, plastic
	4	1	Cylinder nut
1417510-XXXX	1	1	Support, high
	2	1	Thumb screw
	3	1	Insert, plastic
	4	1	Cylinder nut
1417511-XXXX	1	1	Support, high
	2	1	Thumb screw
	3	1	Insert, plastic
	4	1	Cylinder nut
021963.XX	1	1	Support, high
	2	1	Thumb screw
	3	1	Insert, plastic
	4	1	Cylinder nut
1417512-XXXX	1	1	Support, high
	2	1	Thumb screw
	3	1	Insert, plastic
	4	1	Cylinder nut

## Support handles

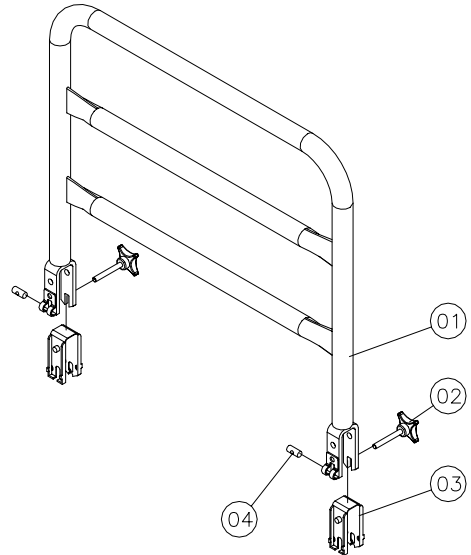
Ident. No.: Support, high 25x30cm 021964.XX  
Ident. No.: Support, high 25x80cm I417510-XXXX  
Ident. No.: Support, high 40x30cm I417511-XXXX  
Ident. No.: Support, high 40x50cm 021963.XX  
Ident. No.: Support, high 40x95cm I417512-XXXX

January 2006

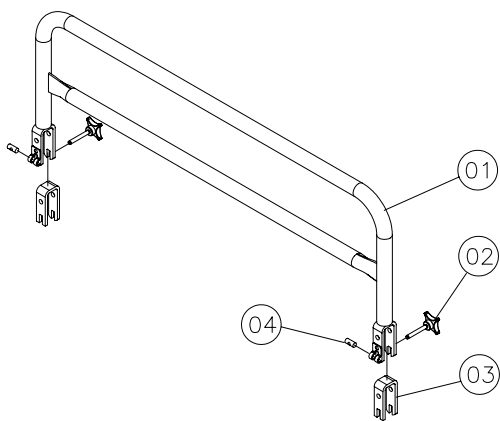
25x30cm



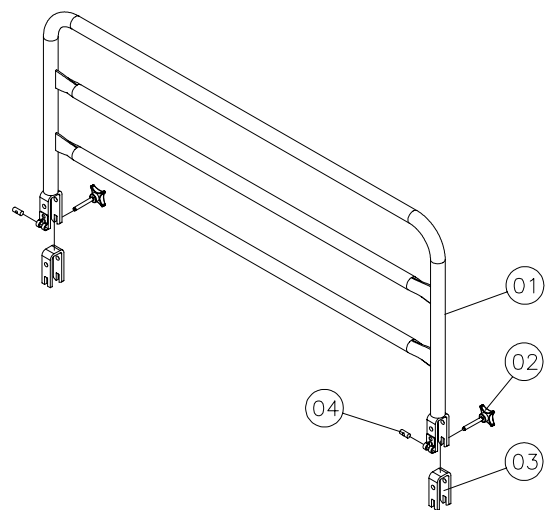
40x30cm  
40x50cm



25x80cm



40x95cm



**Transport fitting**  
Ident. No.: I423920-XXXX

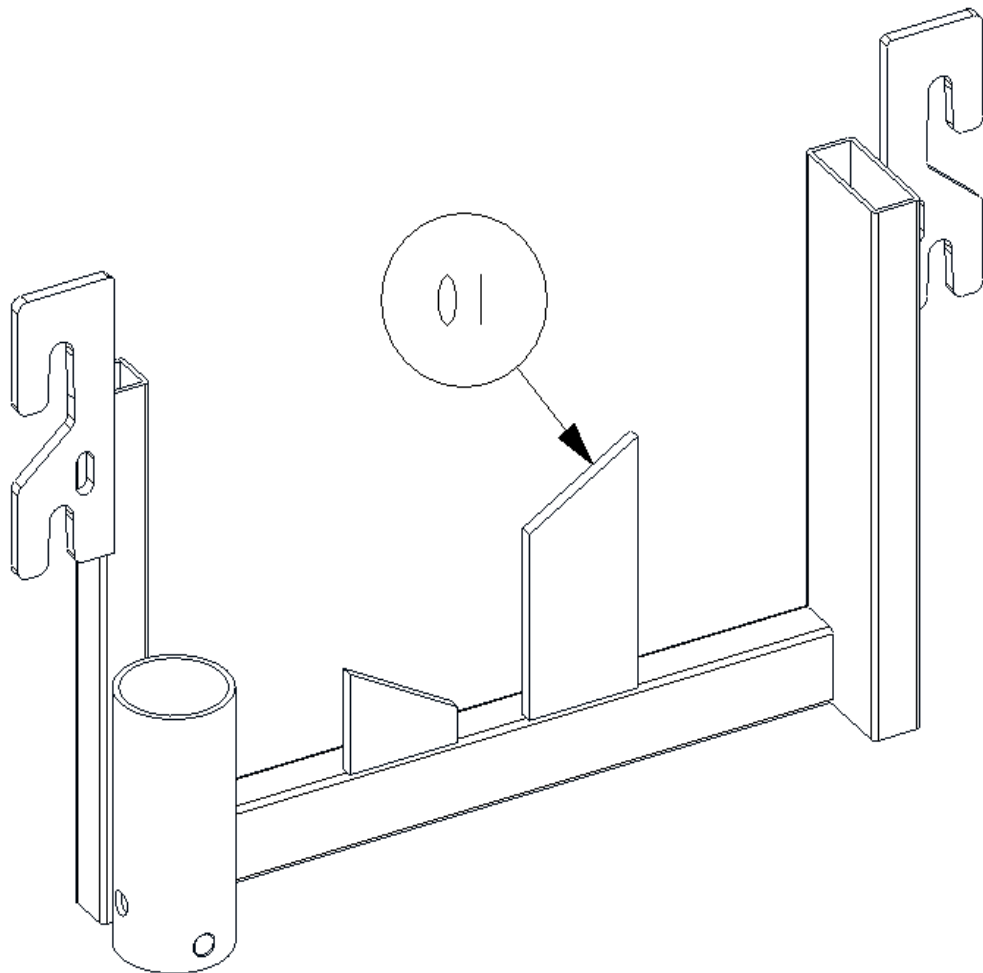
Page 1 of 2

January 2006

**Transport fitting**

<b>Pos.</b>	<b>Ident. No.</b>	<b>Pcs.</b>	<b>Description</b>
1	I423920-XXXX	2	Transport fitting





**Lifting pole – model 5760**

Ident. No.: Lifting pole – model 5760: 50.57600.XX

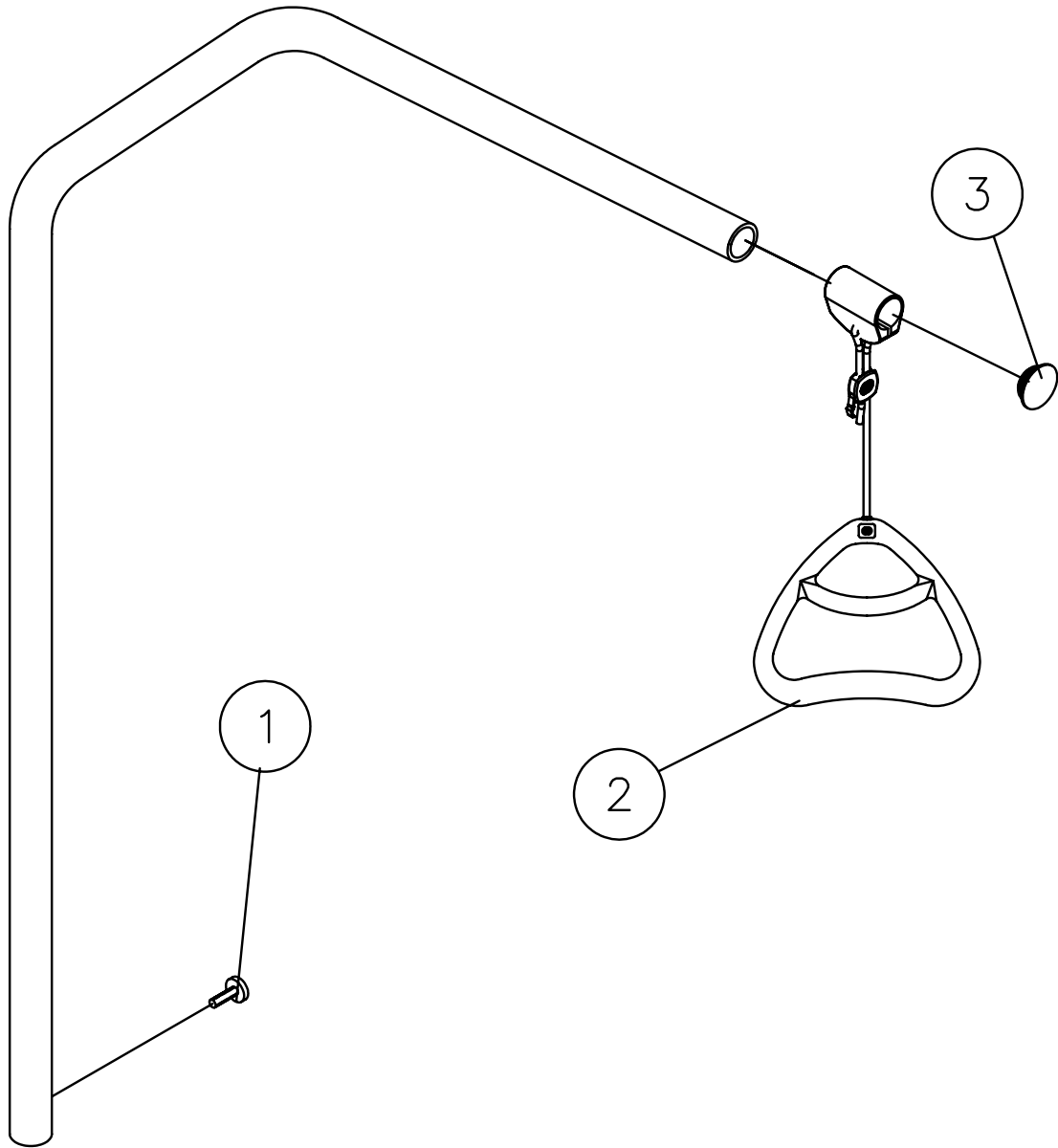
Page 1 of 2

January 2006

**Lifting pole package**

Ident. No.: 020028

<b>Pos.</b>	<b>Pcs.</b>	<b>Description</b>
1	1	Thumb screw M6x16
2	1	Handle for lifting pole incl. Suspension and lock
3	1	Ferrule for lifting pole



## **EXCHANGE MATRIX FOR CB06/LA27-SYSTEM S385 and ETUDE**

Please find on the following page a complete exchange matrix, explaining in detail how to order replacement of electronic parts at the S385 – LA27 (introduced November 2000) and Etude.

When replacing electronic parts on the S385 and Etude please follow these instructions thoroughly as it is important that all parts described in the matrix are included. The reasoning behind the complex replacement matrix is a quality improvement of connections between control box, cables and motors, meaning that moving a control box **also** (only S385) implies hand control and cables to ensure the correct fit.

The production date for a given item is the important factor when ordering electronic spare parts.

**These changes also implicates that the thigh motor cable will be changed from curled to straight.**

### **Steps to follow (S385):**

1. Identify Ident. No. (Part. No.) and the production date on the item that needs to be replaced.
2. State if production date is:

- |                                      |                            |
|--------------------------------------|----------------------------|
| a) Before 05-03-2001                 | choose items in column I   |
| b) Between 05-03-2001 and 15-06-2001 | choose items in column II  |
| c) After 15-06-2001                  | choose items in column III |

### **Steps to follow (Etude):**

1. Identify Ident. No. (Part. No.) and the production date on the item that needs to be replaced.
2. Choose a Spare part package in column IV.

### **Example 1:**

A control box (321542) needs to be shifted and production date has been identified to be 20-02-2001. Then according to the matrix, order all articles from column I. (from the row where 321542 is represented):

- 1 pcs. 1417671 (control box)
- + 1 pcs. 1417676 (hand control)
- + 1 pcs. 1417679 (cable backrest)
- + 2 pcs. 1417843 (cables bed ends)

### **Example 2:**

A bed end motor (321538) needs to be moved. Production date 25-03-2001. Order from Column II:

- 1 pcs. 1417672 (bed end motor)
- + 1 pcs. 1417843 (cable)

**For your information the cables are only marked with Linak numbers – gives a reference to EC-Høng art. no.:**

• <b>Old LINAK numbers:</b>	Replaced by LINAK numbers	EC-Høng numbers
1. 0277003-200, 200mm straight	0277003-D200, 200mm straight	1417679
2. 0277003-1700, 1700mm straight	0277003-D1700, 1700mm straight	1417843
3. 0277003-1250, 1250mm straight	0277003-D1250, 1250mm straight	1417468





## Customer Sales and Service

### **Denmark**

**INVACARE A/S**  
Sdr. Ringvej 39  
DK-2605 Brøndby  
Phone: +45 36 90 00 00  
Fax: +45 36 90 00 01  
[www.invacare.dk](http://www.invacare.dk)  
[denmark@invacare.com](mailto:denmark@invacare.com)

### **Sweden & Finland**

**INVACARE AB**  
Fagerstagatan 9 / Box 66  
S-163 91 Spånga  
Phone: +46 8 761 70 90  
Fax: +46 8 761 81 08  
[www.invacare.se](http://www.invacare.se)  
[sweden@invacare.com](mailto:sweden@invacare.com)

### **Norway & Iceland**

**INVACARE AS**  
Grensesvingen 9  
Postbox 6230 Etterstad  
N-0603 Oslo  
Phone: +47 22 57 95 00  
Fax: +47 22 57 95 01  
[www.invacare.no](http://www.invacare.no)  
[norway@invacare.com](mailto:norway@invacare.com)

### **Spain**

**INVACARE S.A.**  
C/Areny s/n  
Poligon Industrial de Celrà  
E-17460 Celrà (Girona)  
Phone: +34 972 49 32 00  
Fax: +34 972 49 32 20  
[www.invacare.es](http://www.invacare.es)  
[contactsp@invacare.com](mailto:contactsp@invacare.com)

**Invacare® EC-Høng A/S**  
**Ident. no.: 1423944**  
**Version 04 01.2006**

### **Belgium & Luxemburg**

**INVACARE N.V.**  
Autobaan 14  
B-8210 Loppem, Brügge  
Phone: +32 50 83 10 10  
Fax: +32 50 83 10 11  
[www.invacare.be](http://www.invacare.be)  
[belgium@invacare.com](mailto:belgium@invacare.com)

### **Netherlands**

**INVACARE B.V.**  
Celsiusstraat 46  
NL-6716 BZ Ede  
Phone: +31 318 695 757  
Fax: +31 318 695 758  
[www.invacare.nl](http://www.invacare.nl)  
[care@invacare.com](mailto:care@invacare.com)

### **Germany**

**Aquatec GmbH**  
Alemannenstrasse 10  
88316 Isny  
Phone: +49 (0) 75 62 700 0  
Fax: +49 (0) 75 62 700 66  
[www.aquatec.de](http://www.aquatec.de)  
[info@aquatec.de](mailto:info@aquatec.de)

### **Portugal**

**INVACARE Lda**  
Rua Senhora de Campanhã 105  
4369-001 Porto  
Phone: +351 225 1059 46/47  
Fax: +351 225 1057 39  
[portugal@invacare.com](mailto:portugal@invacare.com)

### **Australia**

**INVACARE Australia Pty Ltd**  
1 Lenton Place  
North Rocks  
NSW 2151  
Phone: +61 2 8839 5333  
Fax: +61 2 8839 5353  
[www.invacare.com.au](http://www.invacare.com.au)  
[sales@invacare.com.au](mailto:sales@invacare.com.au)

### **France**

**INVACARE Poirier S.A.S**  
Route de St Roch  
F-37230 Fondettes  
Phone: +33 2 47 62 64 66  
Fax: +33 2 47 42 12 24  
[www.invacare.fr](http://www.invacare.fr)  
[contactfr@invacare.com](mailto:contactfr@invacare.com)

### **Italy**

**INVACARE MECC SAN S.R.L.**  
Via dei Pini 62  
I-36016 Thiene (VI)  
Phone: +39 0445 38 00 59  
Fax: +39 0445 38 00 34  
[www.invacare.it](http://www.invacare.it)  
[italia@invacare.com](mailto:italia@invacare.com)

### **United Kingdom & Ireland**

**INVACARE LTD**  
South Road  
Bridgend Industrial Estate  
UK-Bridgend, CF31 3PY  
Phone: +44 1 656 664 321  
Fax: +44 1 656 667 532  
[www.invacare.co.uk](http://www.invacare.co.uk)  
[uk@invacare.com](mailto:uk@invacare.com)

### **New Zealand**

**INVACARE NZ**  
4 Westfield Place,  
Mt. Wellington  
Auckland  
Phone: +64 9 917 3939  
Fax: +64 9 917 3957  
[www.invacare.co.nz](http://www.invacare.co.nz)  
[sales@invacare.co.nz](mailto:sales@invacare.co.nz)

Hatfield  
2/122 Taradale Road  
Napier  
Phone: +64 6 843 3119  
Fax: +64 6 843 3445  
[sales@hatfield.co.nz](mailto:sales@hatfield.co.nz)

Manufacturer:



QUALITY SYSTEM  
**DS/EN ISO 9001**  
**DS/EN ISO 13485**

**INVACARE EC-Høng A/S**  
Østergade 3  
DK-4270 Høng  
[www.invacarebeds.dk](http://www.invacarebeds.dk)