

Spare Parts Catalogue

Version: 2012/10/25a EN



Invacare[®] **Medley Ergo**



Yes, you can.®

General Information

For any order of spare parts the following information is required:

- Product type*
- Product name & model*
- Serial Number*
- Part-Number*
- Part-Description*

Exploded view drawings and code numbers are not contractual and subject to modification, in relation to Invacare® continuous product improvement policy to meet end users needs.

The reproduction or use of this work, or of any substantial part of this work, in any form or by any electronic, mechanical or other means, including photocopying, scanning and recording, and in any information storage and retrieval system, including electronic transmission, is forbidden without the prior written permission of Invacare® International Sarl.



Yes, you can.®

TABLE OF CONTENTS

Matress

Matress Deck - Wood	5
Matress Deck - Steel	6

Bed End for lifting

Bed End - Low	7
Bed End - Standard	8

Bed electrical parts

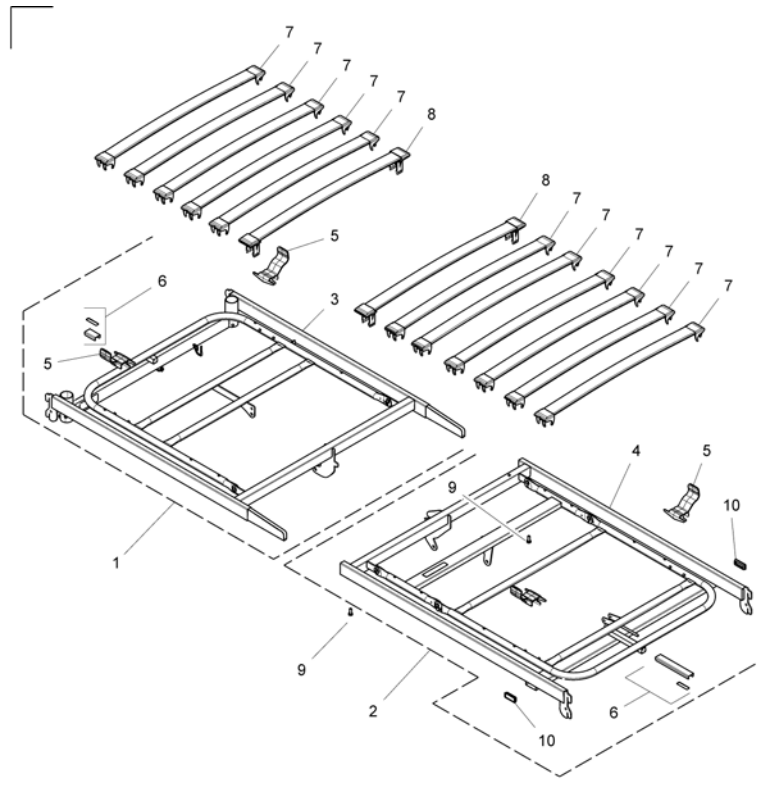
Bed End - Actuator	9
Thigh Actuator	10
230 Volt Control Box / Actuator Head	11
24 Volt Control Box / Actuator Head	12
Hand Controls	13

Side rails

Side rails	14
------------------	----

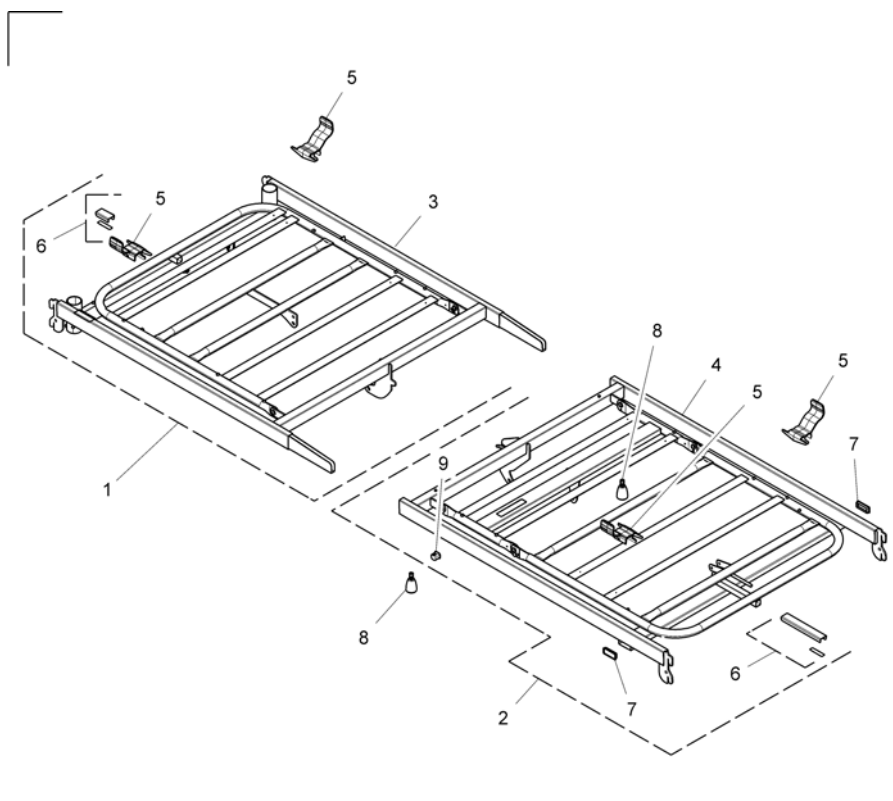
Bed accessories

Bed End Cover - Medley Select	15
Transport Brackets	16
Rastofix	17
Equipotentiality	18



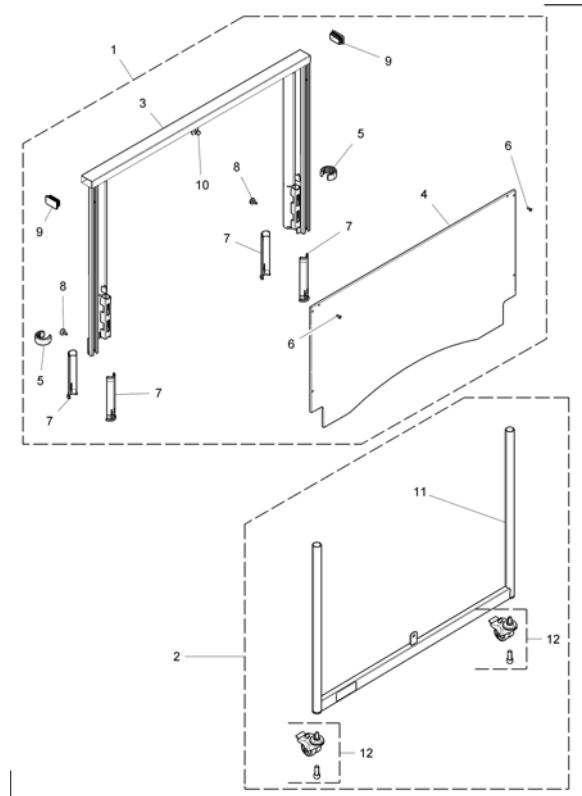
Pos.	Part number	Description	Valid from → until	Qty
1	SP1177541	Head Frame Kit (wood) <i>Includes items 3, 5, and 6, also includes Side Rail Label which is not shown in the illustration</i>		1
2	SP1177542	Foot Frame Kit (wood) <i>Includes items 4, 5, and 6, also includes Adhesive Tape and Side Rail Label which are not shown in illustration.</i>		1
5	SP1423980	Mattress Retainer		4
6	SP1177543	U Channel Wear Strip Kit <i>Includes U Border Strip and Adhesive Tape.</i>		1
8	SP1563581	Wood Slat Kit <i>Not Shown, Includes (2) Wood Slats.</i>		1
8	SP1563582	Slat End Cap Kit <i>Not Shown, Includes (4) Wood Slat End Caps.</i>		1
8	SP1563583	Slat End Cap Kit Seat <i>Not Shown, Includes (4) Wood Seat Slat End Caps.</i>		1
7	SP1177544	Wood Slat & End Cap Kit <i>Includes (2) End Caps and Wood Slat.</i>		11
8	SP1177545	Wood Slat & End Cap Seat Kit <i>Includes (2) End Caps and Wood Slat.</i>		2
9	SP1561873	M8 x 13 Finger Screw Kit		2

Matress Deck - Steel



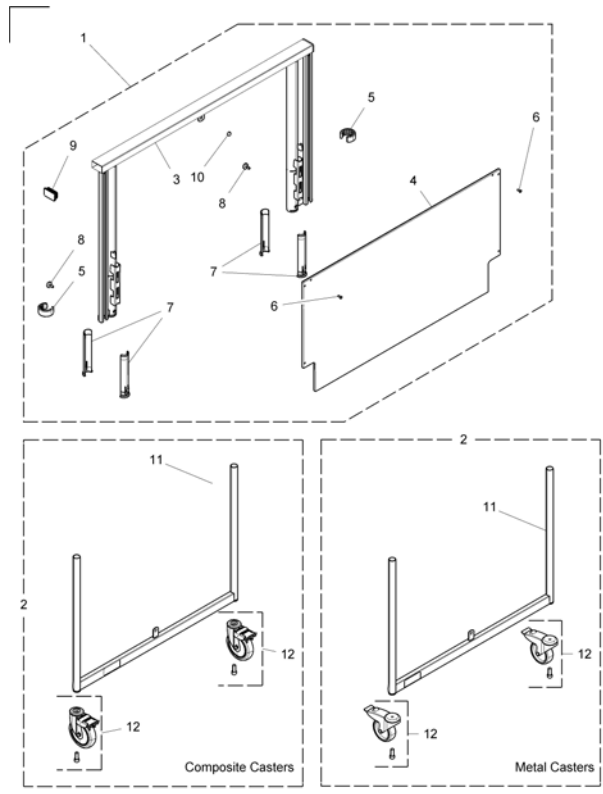
Pos.	Part number	Description	Valid from → until	Qty
1	SP1177540	Head Frame Kit (steel) <i>Includes items 3, 5, and 6, also includes Side Rail Label which is not shown in the illustration.</i>		1
2	SP1177339	Foot Frame Kit (steel) <i>Includes items 4,5,6,7 and 9, also includes adhesive tape, Port Plug, and Side Rail Label which are not shown in the illustration.</i>		1
5	SP1423980	Mattress Retainer		4
6	SP1177543	U Channel Wear Strip Kit <i>Includes U Border Strip, Master Bracket, and (2) Adhesive Tape.</i>		1
8	SP1561873	M8 x 13 Finger Screw Kit		2

Bed End - Low



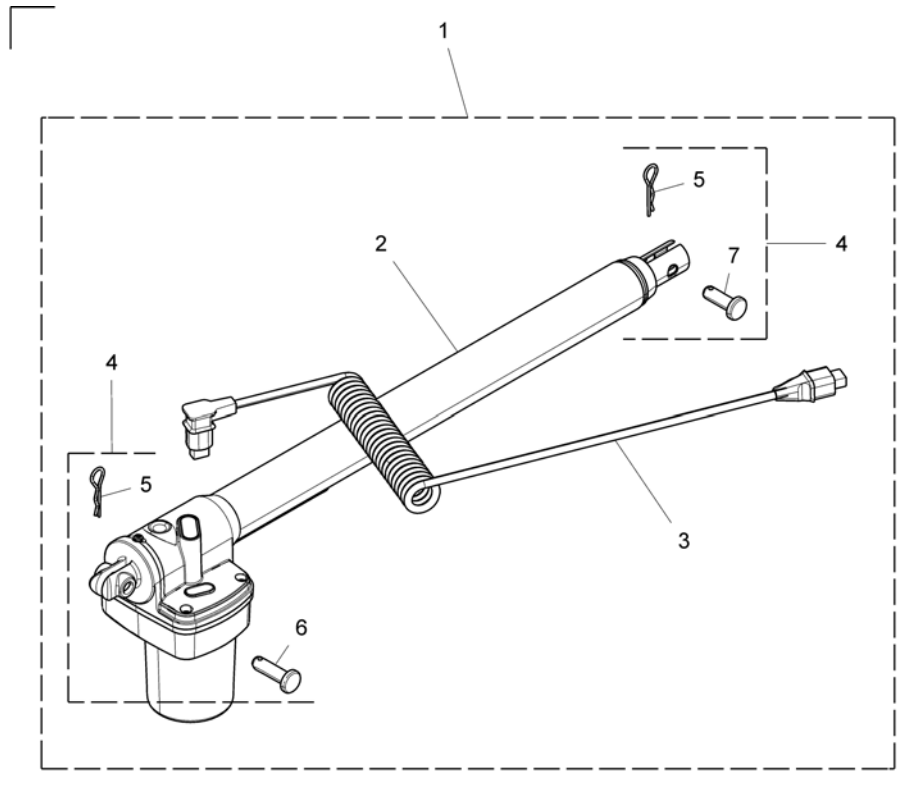
Pos.	Part number	Description	Valid from → until	Qty
1	SP1177351	Upper Bed End Kit Low <i>Includes items 3 - 10</i>		2
2	SP1177353	Lower Bed End Kit Low <i>Includes items 11 - 12.</i>		2
4	SP1537305	Plate Bed end, Medley Low		2
5	SP1177546	Lock Ring Kit		1
6	SP818305	Rivet 4,8x16mm		2
7	SP1563579	Top Liner Kit <i>Includes (4) Top Liners</i>		4
9	SP1563580	Plug Button Kit <i>Includes (2) Plug Buttons</i>		2
8	SP1177547	Adjusting Finger Screw Kit		1
12	SP1177548	Caster Asm 50mm <i>Includes Caster and Screw</i>		4

Bed End - Standard



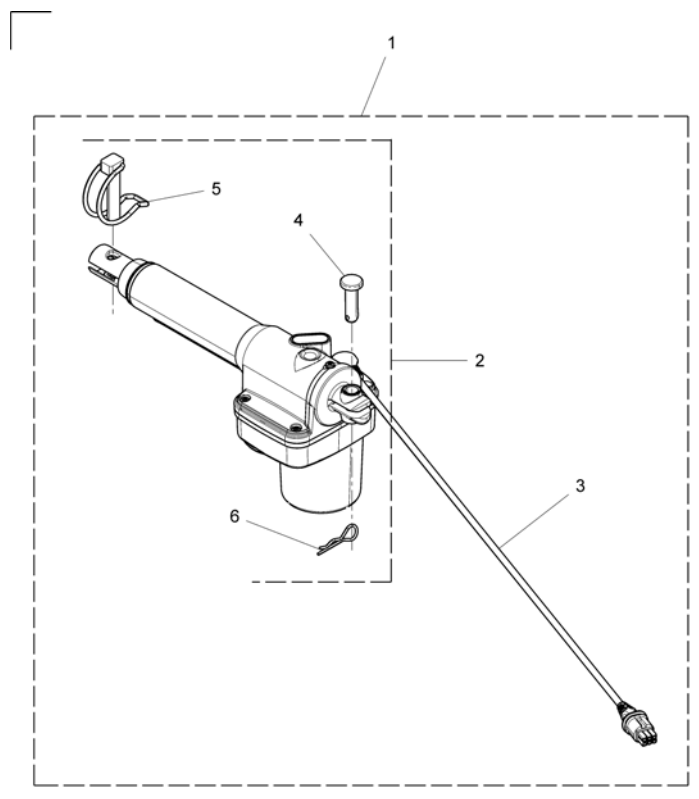
Pos.	Part number	Description	Valid from → until	Qty
1	SP1177350	Upper Bed End Kit Std <i>Includes items 3 - 10</i>		2
2	SP1177352	Lower Bed End Kit Metal <i>Includes items 11 - 12</i>		2
3	SP1177354	Lower Bed End Kit Composite <i>Includes items 11 - 12</i>		2
4	SP1177447	Plate Bed end, Medley		2
5	SP1177546	Lock Ring Kit		1
6	SP818305	Rivet 4,8x16mm		2
7	SP1563579	Top Liner Kit <i>Includes (4) Top Liners</i>		4
9	SP1563580	Plug Button Kit <i>Includes (2) Plug Buttons</i>		2
8	SP1177547	Adjusting Finger Screw Kit		1
12	SP1552392	Caster Kit 100mm Metal <i>Includes Caster and Screw</i>		1
12	SP1554588	Caster Kit 100mm Composite <i>Includes Caster and Screw</i>		1

Bed End - Actuator



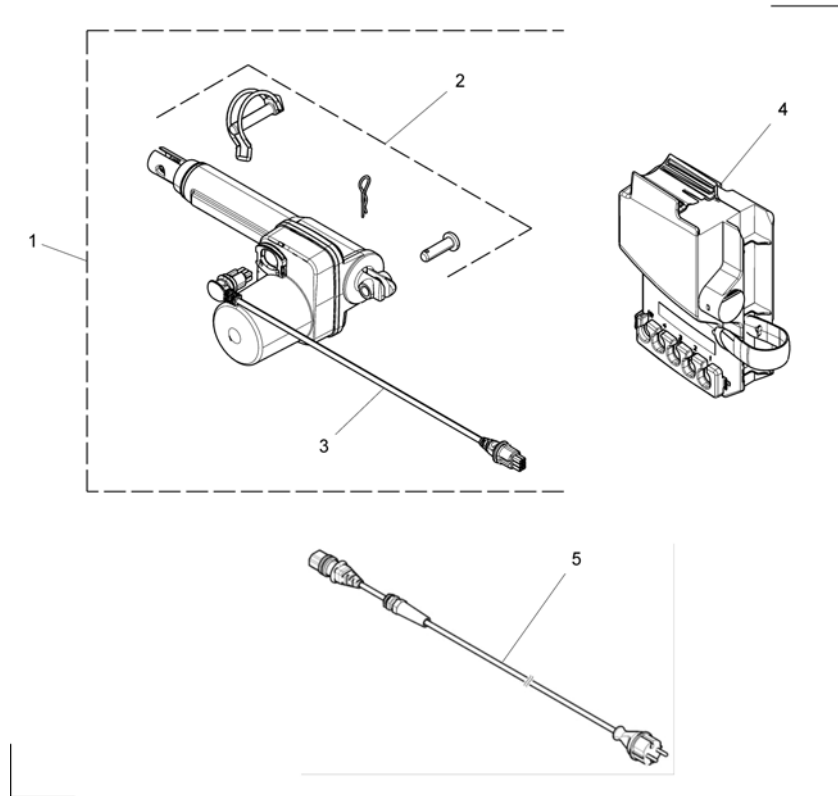
Pos.	Part number	Description	Valid from → until	Qty
1	SP1177329	Bedend Actuator Kit w/Hdw <i>Includes items 2 - 7.</i>		2
3	SP1551453	Bedend Motor Cable		2
4	SP1177549	Bedend Actuator Hardware Kit <i>Includes items 5, 6, and 7</i>		2

Thigh Actuator



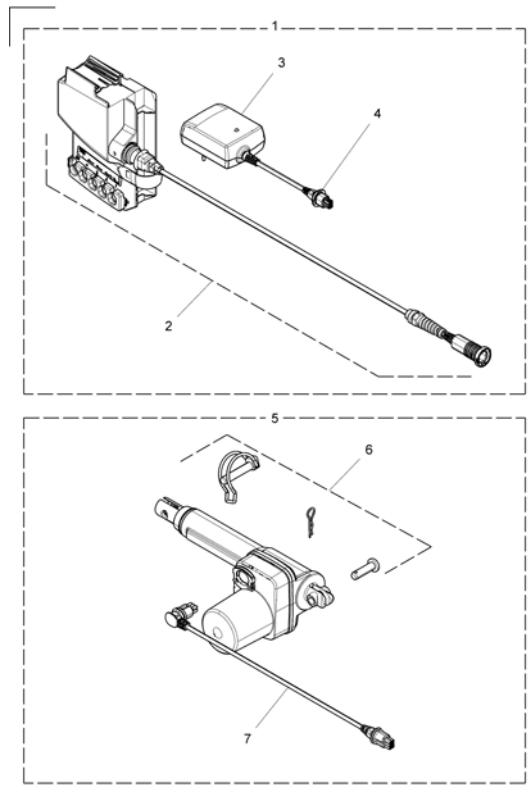
Pos.	Part number	Description	Valid from → until	Qty
1	SP1557969	Thigh Actuator Kit w/Hdw <i>Includes items 2, 3, 4, 5, and 6</i>		1
2	SP1177550	Actuator Hardware Kit <i>Includes items 4, 5, and 6.</i>		1
3	SP1177402	Motor Cable 750mm		1

230 Volt Control Box / Actuator Head



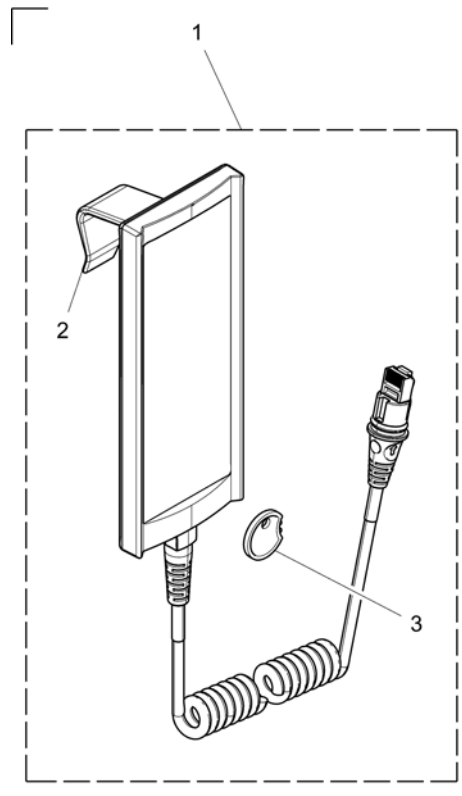
Pos.	Part number	Description	Valid from → until	Qty
1	SP1557968	Head Actuator Kit w/Hdw <i>Includes items 2 and 3</i>		1
2	SP1177550	Actuator Hardware Kit <i>Includes Spring Pin, Pin, and Retaining Pin</i>		1
3	SP1177403	Motor Cable 320mm		1
4	SP1177431	CB3 Control Unit Kit 230V		1
5	SP1417517	Mains cord, EU		1
6	SP1539737	UK Mains Cord		1
7	SP1518060	CH Mains Cord		1
8	SP1539738	AU Mains Cord		1

24 Volt Control Box / Actuator Head



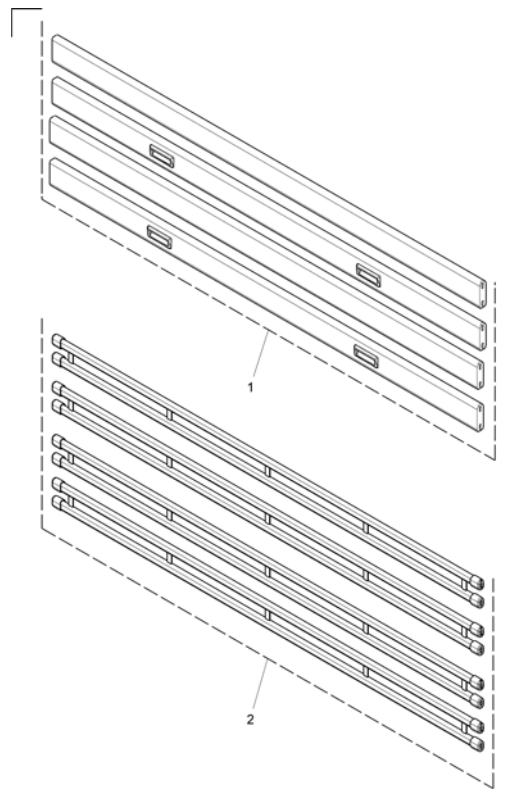
Pos.	Part number	Description	Valid from → until	Qty
1	SP1177552	CB3 Control Unit & Transformer Kit 24V <i>Includes items 2,3,4 and 5. Includes Transformer, Transformer Lock, and Controller Assembly.</i>		1
2	SP1177432	CB3 Control Unit Kit 24V		1
3	SP1177551	Wall Transformer w/cord & lock		1
6	SP1557968	Head Actuator Kit w/Hdw		1
7	SP1177550	Actuator Hardware Kit <i>Includes Straight Pin, Spring Pin, and Retaining Pin.</i>		1
8	SP1177403	Motor Cable 320mm		1

Hand Controls



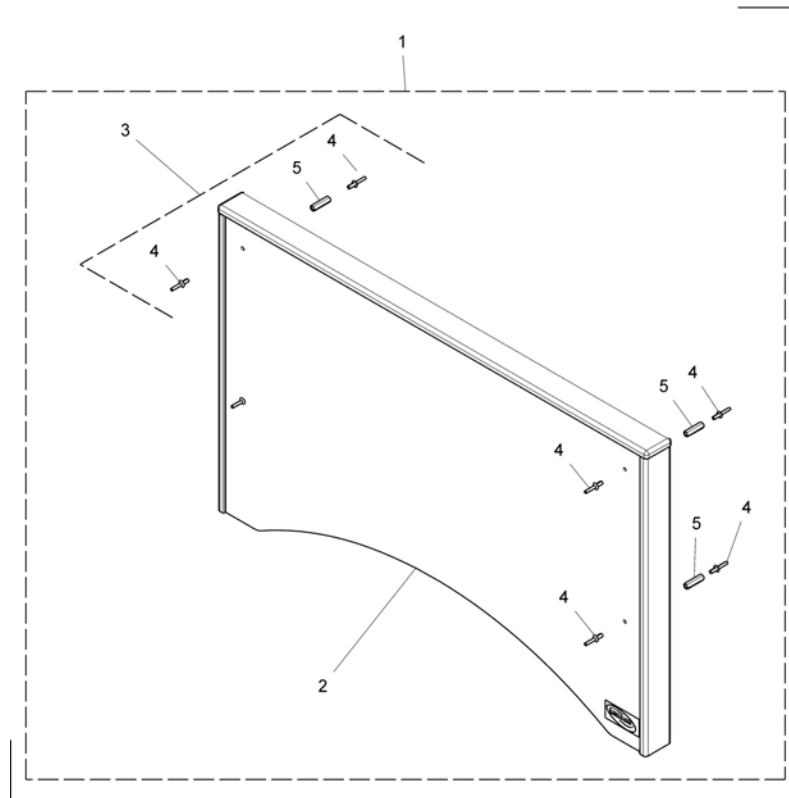
Pos.	Part number	Description	Valid from → until	Qty
1	SP1177361	HB72 Hand Control		1
1	SP1177362	HL72 Hand Control		1
1	SP1177363	HB73 Hand Control		1
1	SP1177364	HL73 Hand Control		1
1	SP1177365	HB74 Hand Control		1
1	SP1177366	HL74 Hand Control		1
2	SP819487	Hand Control Suspension		1
3	SP1177553	Function Lockout Key Kit		1

Side rails



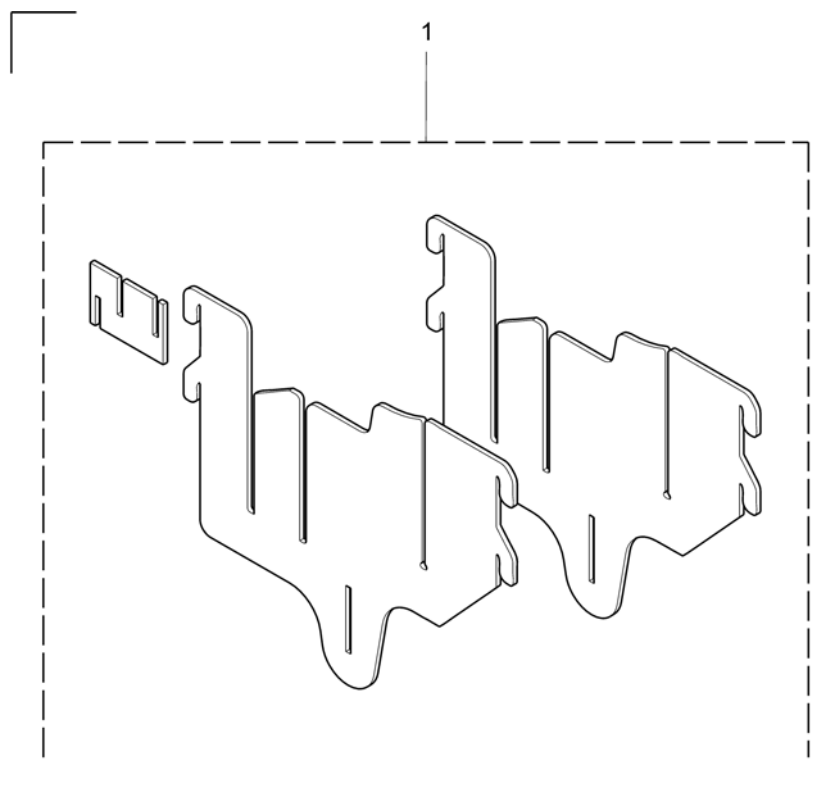
Pos.	Part number	Description	Valid from → until	Qty
1	1560435-0101	Wood Side Rail Kit		1
1	1560446-0101	Wood Side Rail Kit Extended		1
2	1560076-0152	Steel Side Rail Kit <i>Includes Cap and Side Rail</i>		1
3	SP1177461	Side Rail Slider Kit		2

Bed End Cover - Medley Select



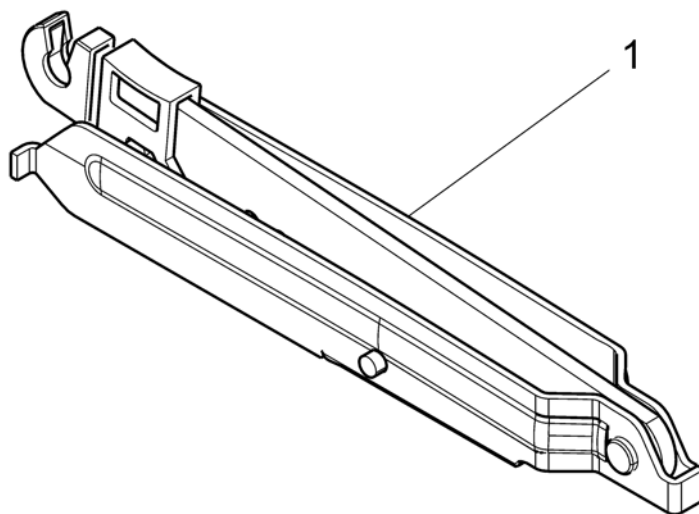
Pos.	Part number	Description	Valid from → until	Qty
1	SP1177230	Bed End Cover <i>Includes items 2, 4, and 5 and Installation Instructions which are not shown in the illustration.</i>		1
3	SP1177554	Wood Cover Fixation Kit <i>Includes Spacer and Screws.</i>		1

Transport Brackets



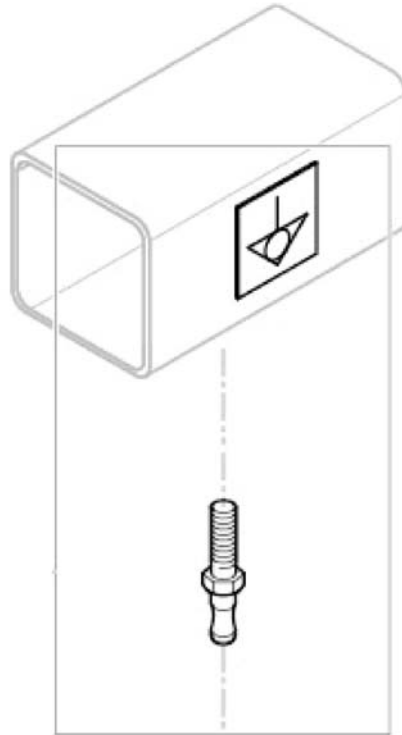
Pos.	Part number	Description	Valid from → until	Qty
1	1560399-0152	Medley Ergo transport kit painted		1

Rastofix



Pos.	Part number	Description	Valid from → until	Qty
1	SP1177259	Rastofix		1

Equipotentiality



Pos.	Part number	Description	Valid from → until	Qty
1	SP1531201	Equipotentiality plug + sticker + notice		1



Yes, you can.®



Belgium & Luxemburg:

Invacare nv, Autobaan 22, B-8210 Loppem
Tel: (32) (0)50 83 10 10, Fax: (32) (0)50 83 10 11
belgium@invacare.com / www.invacare.be

Denmark:

Invacare A/S, Sdr. Ringvej 37, DK-2605 Brøndby
Tel: (45) (0)36 90 00 00, Fax: (45) (0)36 90 00 01
denmark@invacare.com / www.invacare.dk

Deutschland:

Invacare Aquatec GmbH, Alemannenstraße 10, D-88316 Isny
Tel: (49) (0)75 62 7 00 0, Fax: (49) (0)75 62 7 00 66
info@invacare-aquatec.com / www.invacare-aquatec.de

European Distributor Organisation:

Invacare, Kleiststraße 49, D-32457 Porta Westfalica
Tel: (49) (0)57 31 754 540, Fax: (49) (0)57 31 754 541
edo@invacare.com / www.invacare.eu.com

España:

Invacare SA, c/Areny s/n, Polígon Industrial de Celrà, E-17460 Celrà (Girona)
Tel: (34) (0)972 49 32 00, Fax: (34) (0)972 49 32 20
contactsp@invacare.com / www.invacare.es

France:

Invacare Poirier SAS, Route de St Roch, F-37230 Fondettes
Tel: (33) (0)2 47 62 64 66, Fax: (33) (0)2 47 42 12 24
contactfr@invacare.com / www.invacare.fr

Ireland:

Invacare Ireland Ltd, Unit 5 Seatown Business Campus, Seatown Road, Swords, County Dublin - Ireland
Tel: (353) 1 810 7084, Fax: (353) 1 810 7085
ireland@invacare.com / www.invacare.ie

Italia:

Invacare Mecc San s.r.l., Via dei Pini 62, I-36016 Thiene (VI)
Tel: (39) 0445 38 00 59, Fax: (39) 0445 38 00 34
italia@invacare.com / www.invacare.it

Nederland:

Invacare BV, Celsiusstraat 46, NL-6716 BZ Ede
Tel: (31) (0)318 695 757, Fax: (31) (0)318 695 758
nederland@invacare.com, csede@invacare.com / www.invacare.nl

Norge:

Invacare AS, Grensesvingen 9, Postboks 6230, Etterstad, N-0603 Oslo
Tel: (47) (0)22 57 95 00, Fax: (47) (0)22 57 95 01
norway@invacare.com, island@invacare.com / www.invacare.no

Österreich:

Invacare Austria GmbH, Herzog Odilostrasse 101, A-5310 Mondsee
Tel: (43) 6232 5535 0, Fax: (43) 6232 5535 4
info-austria@invacare.com / www.invacare.at

Portugal:

Invacare Lda, Rua Estrada Velha, 949, P-4465-784 Leça do Balio
Tel: (351) (0)225 1059 46/47, Fax: (351) (0)225 1057 39
portugal@invacare.com / www.invacare.pt

Sverige & Suomi:

Invacare AB, Fagerstagatan 9, S-163 91 Spånå
Tel: (46) (0)8 761 70 90, Fax: (46) (0)8 761 81 08
sweden@invacare.com, finland@invacare.com / www.invacare.se

Switzerland:

Invacare AG, Benkenstrasse 260, CH-4108 Witterswil
Tel: (41) (0)61 487 70 80, Fax: (41) (0)61 487 70 81
switzerland@invacare.com / www.invacare.ch

United Kingdom:

Invacare Limited, Pencoed Technology Park, Pencoed, Bridgend CF35 5AQ
Switchboard Tel: (44) (0)1656 776200, Fax: (44) (0)1656 776201
Customer services Tel: (44) (0)1656 776222, Fax: (44) (0)1656 776220
uk@invacare.com / www.invacare.co.uk