



# Spare Parts 2005 Order Forms

# 3



Bathlifts and transfer aids

---

BATHLIFTS

4 - 37

---

---

TRANSFER AIDS

54 - 59

---

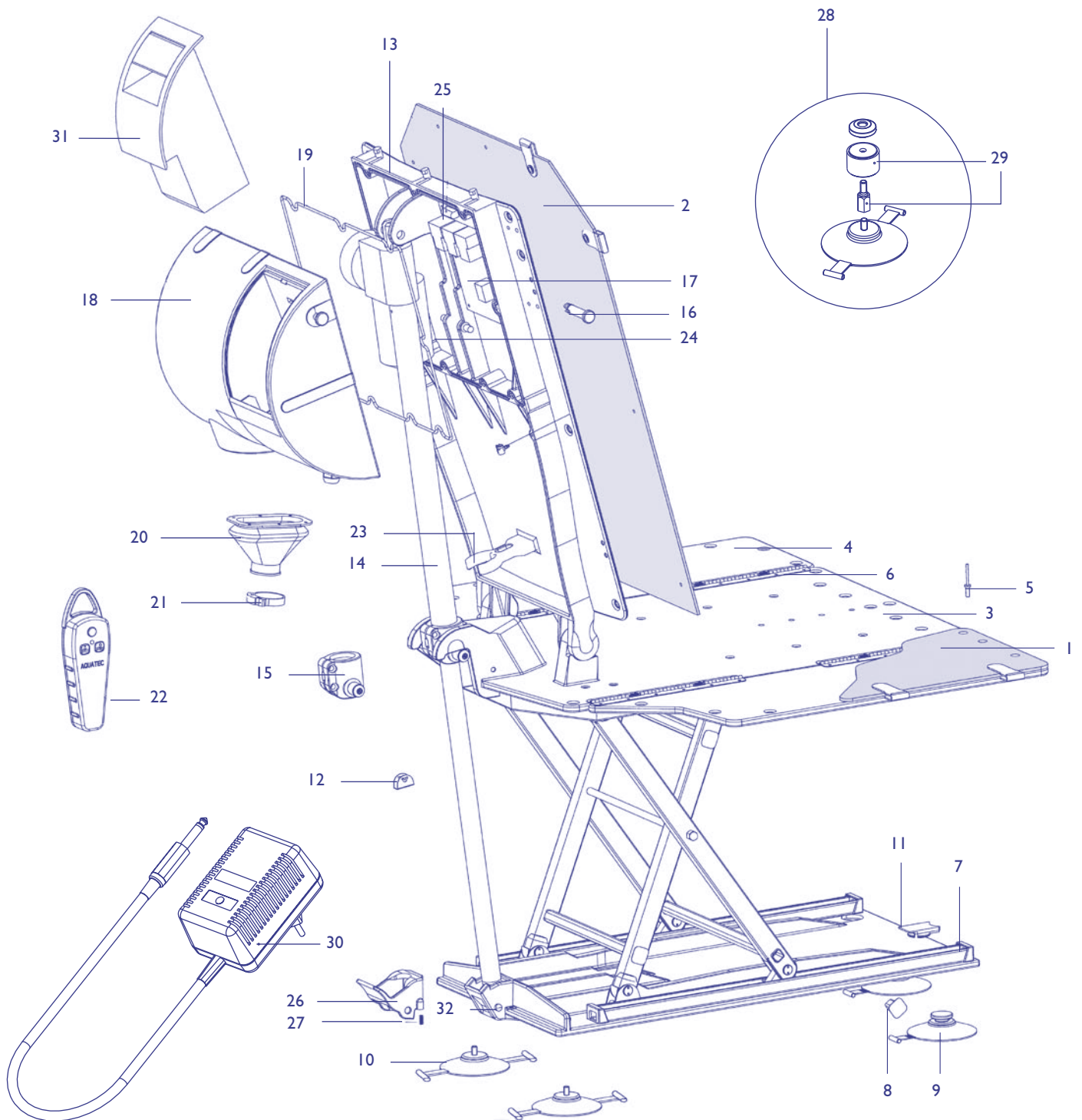


**BATHLIFTS**





Serial number 662526 or lower





## Order Form

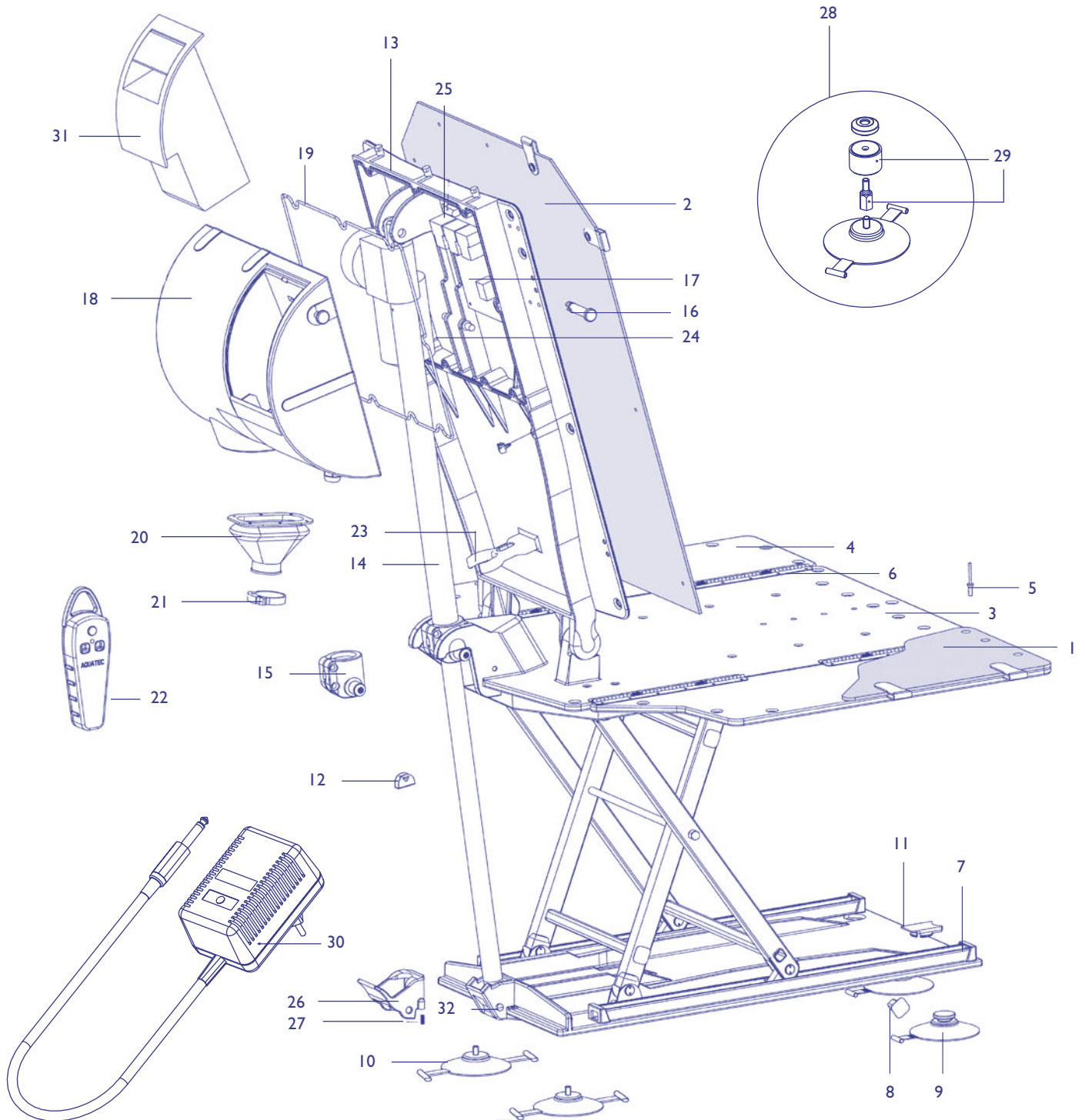
Customer	Telephone
Delivery address	Telefax
	Com.
	Sender
	Customer number

**Serial number:**

Units	No.	Order No.	Description
	1	<b>14535</b>	Cover seat, white
	1	<b>14556</b>	Cover seat, blue
	2	<b>14593</b>	Cover backrest, white
	2	<b>14595</b>	Cover backrest, blue
	1+2	<b>14980</b>	Cover set (seat and backrest), white
	1+2	<b>14981</b>	Cover set (seat and backrest), blue
	3	<b>14592</b>	Seat complete, without cover (for backrest since 1998-05)
	4	<b>14453</b>	Sideflap
	5	<b>14041</b>	Blind rivet 3,2 x 9,5
	6	<b>11548</b>	Hinge, drill-hole 3,2 mm
	7	<b>10933</b>	C-rail cover
	8	<b>10829</b>	Cap
	9	<b>15072</b>	Suction cups with toggle (pair)
	10	<b>15071</b>	Screw-in suction cups (pair)
	10	<b>15189</b>	Set of screw-in suction cups, ø 8 cm (4 pcs)
	9+10	<b>15353</b>	Set of suction cups (pair with toggle / pair of screw-in suction cups), ø 8 cm
	not ill.	<b>16240</b>	Set of suction cups large, 130 mm (4 pcs incl. 2 adapter inserts)
	11	<b>15121</b>	Lid for suction cup (since 1999-05)
	12	<b>14462</b>	U-clamp
	13	<b>14377</b>	Backrest complete, without cover
	13	<b>14452</b>	Backrest, frame only
	14	<b>15815</b>	Actuator complete (motor, pulley assembly, spindle foot)
	15	<b>15829</b>	Pulley assembly incl. screws and nuts
	16	<b>14468</b>	Motor bolt
	17	<b>15182</b>	Circuit board motor control
	18	<b>16093</b>	Casing for actuator
	19	<b>14457</b>	Gasket for casing
	20	<b>14451</b>	Compression cup
	21	<b>14885</b>	Clamp
	22	<b>15394*</b>	Hand control with spiral cable



Serial number 662526 or lower





## Order Form

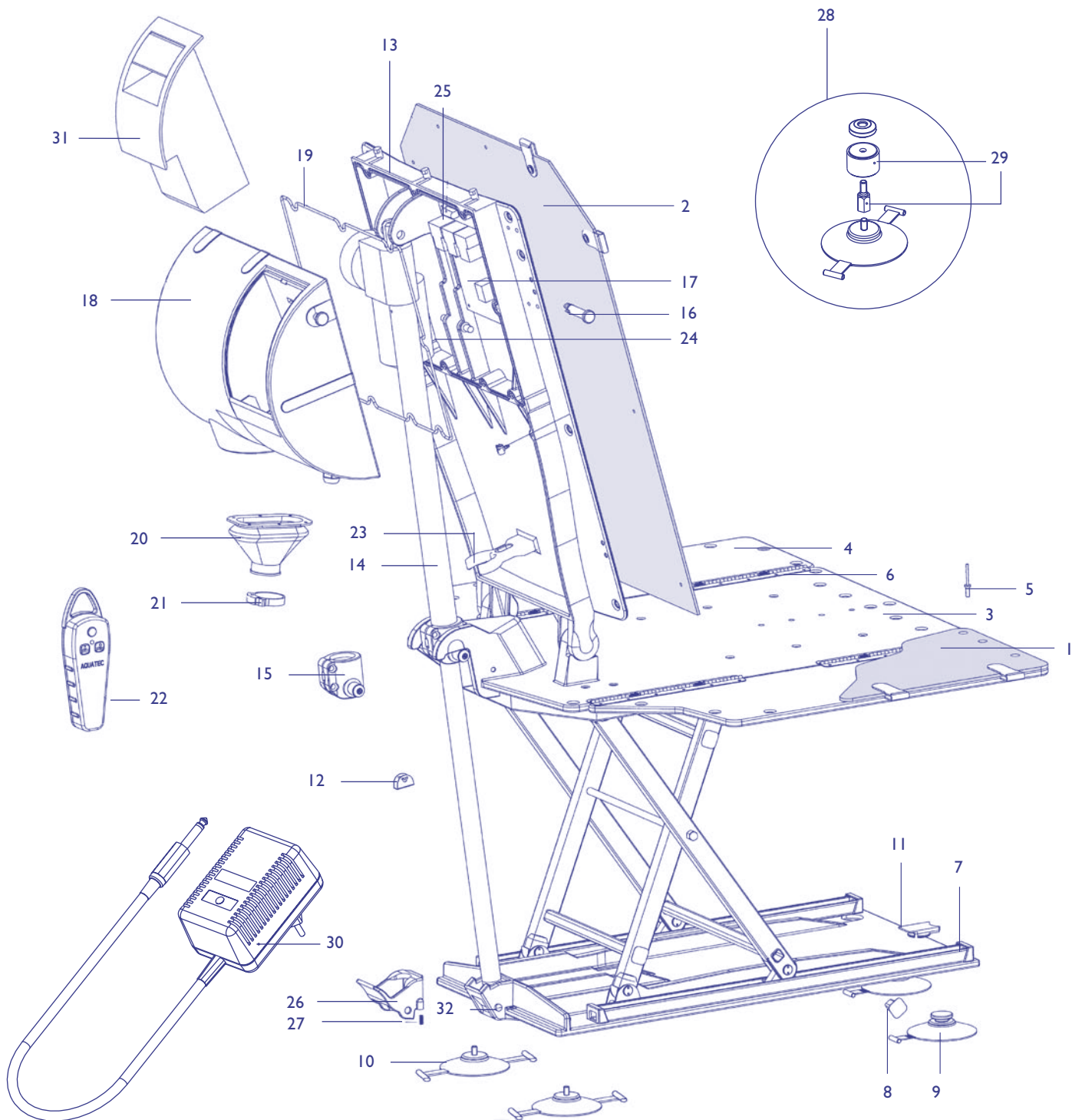
Customer	Telephone
Delivery address	Telefax
	Com.
	Sender
	Customer number

Serial number:

Units	No.	Order No.	Description
	23	14470	Spindle catch
	24	14502	Rubber ring, 60 x 1,5 mm (not ill.)
	25	14618	Glass fuse for actuator, 5 x 20 8 A inert
	26	14978	Locking device (please order also 2x spring, order no. 14929)
	27	14929	Spring for locking device
	28	15170	Height adapter set, 2 cm (height adapters and conversion kit for front suction cups)
	29	14694	Expanding set height adapters, 2 cm (height adapters, without conversion kit)
	30	15088	Battery charger (Europe)
	30	15237	Battery charger (GB)
	30	15239	Battery charger (USA)
	31	15193	Battery complete
	32	16297	Repair set for spindle foot, with glue
	32	15296	Repair set for spindle foot, without glue
	32	10837	Glue for repair set, Epple LOC 3500/A
			<b>not illustrated</b>
		14619	Glass fuse for charger, 5 x 20 32 mA inert
		1x 15170 + 1x 14694	Height adapter set, 4 cm (height adapters and conversion kit for front suction cups)
		1x 15170 + 2x 14694	Height adapter set, 6 cm (height adapters and conversion kit for front suction cups)
		15298	Conversion kit without height adapters (adapter inserts, suction cups)
		15874	Recirculation kit, white: cover set (seat and backrest,) suction cups, user manual (up to serial no. 392059, until 1999-04)
		15875	Recirculation kit, blue: cover set (seat and backrest), suction cups, user manual (up to serial no. 392059, until 1999-04)
		15877	Recirculation kit, white: cover set (seat and backrest), suction cups, lids for suction cups, user manual (from serial no. 392060, since 1999-05)
		15878	Recirculation kit, blue: cover set (seat and backrest), suction cups, lids for suction cups, user manual (from serial no. 392060, since 1999-05)



Serial number 662526 or lower





## Order Form

Customer	Telephone
Delivery address	Telefax
	Com.
	Sender
	Customer number

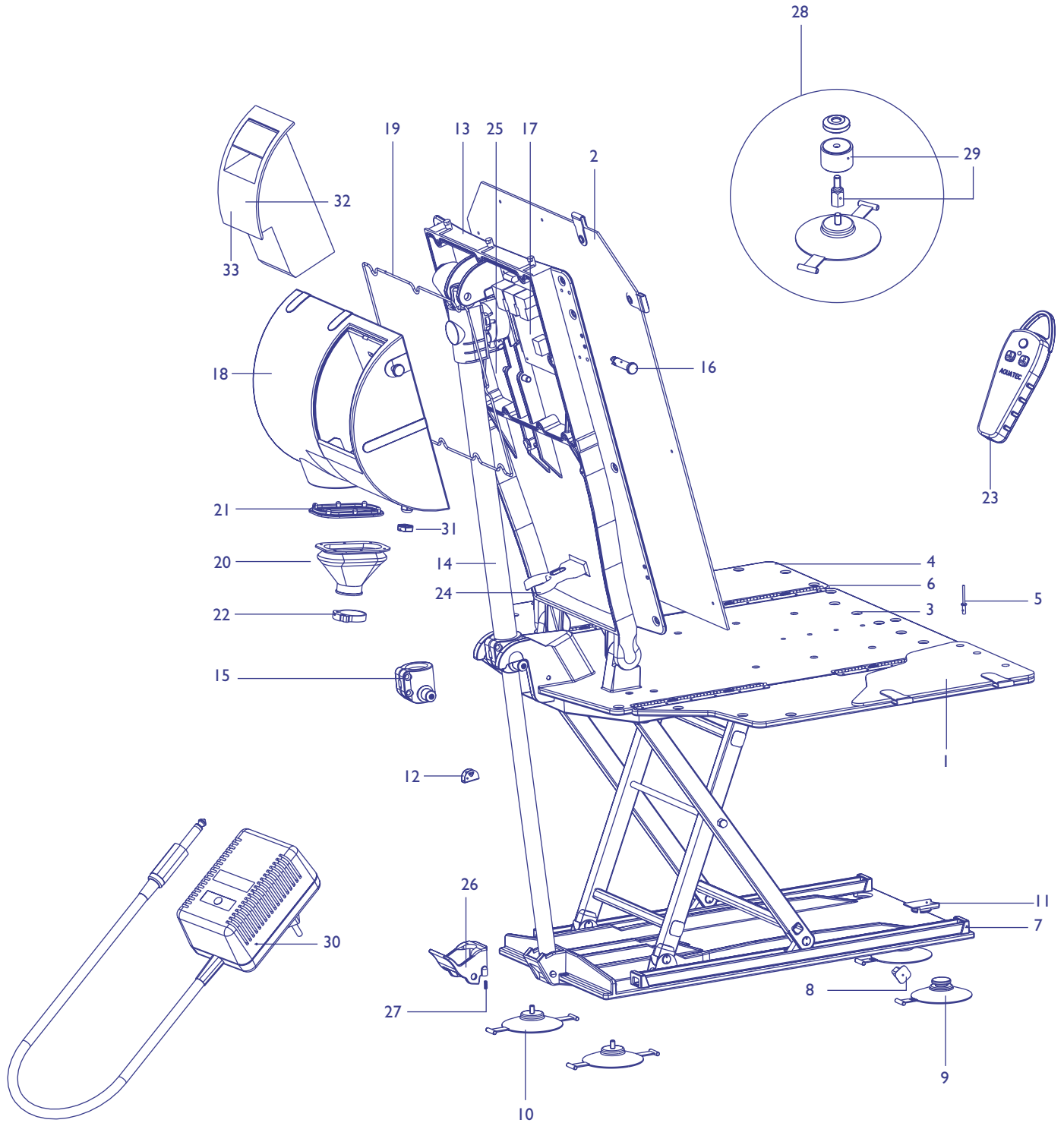
Serial number:

Units	No.	Order No.	Description	
			<b>not illustrated</b>	
		<b>15243</b>	Cover special backrest, white	
		<b>15244</b>	Cover special backrest, blue	
		<b>15466</b>	Cover head support, white	
		<b>15467</b>	Cover head support, blue	
		<b>15622</b>	User manual	





Serial number 662527 or higher





## Order Form

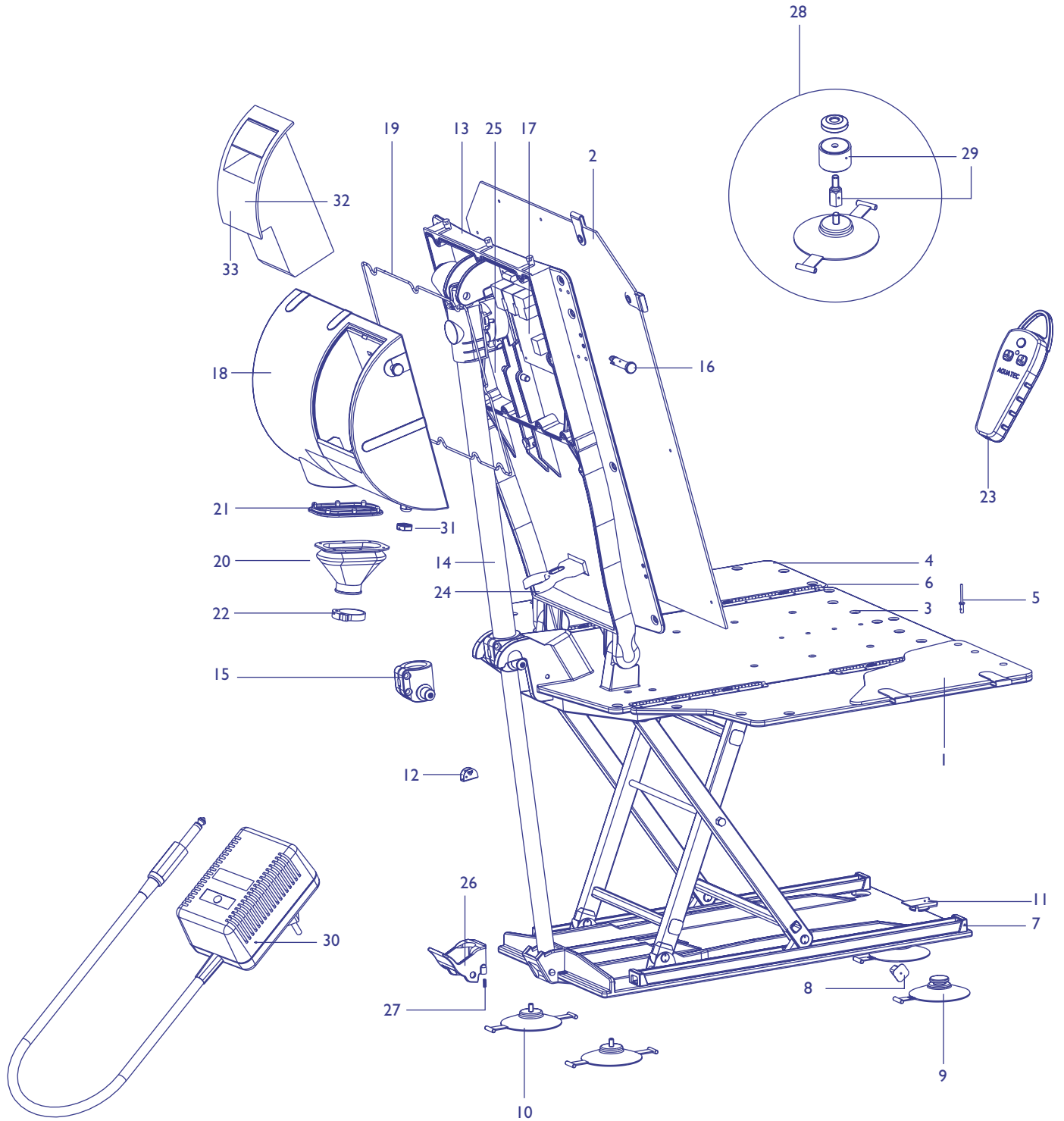
Customer	Telephone
Delivery address	Telefax
	Com.
	Sender
	Customer number

Serial number:

Units	No.	Order No.	Description	
	1	<b>14535</b>	Cover seat, white	
	1	<b>14556</b>	Cover seat, blue	
	2	<b>14593</b>	Cover backrest, white	
	2	<b>14595</b>	Cover backrest, blue	
	1+2	<b>14980</b>	Cover set (seat and backrest), white	
	1+2	<b>14981</b>	Cover set (seat and backrest), blue	
	3	<b>14592</b>	Seat complete, without cover	
	4	<b>14453</b>	Sideflap	
	5	<b>14041</b>	Blind rivet 3,2 x 9,5	
	6	<b>11548</b>	Hinge, drill-hole 3,2 mm	
	7	<b>10933</b>	C-rail cover	
	8	<b>10829</b>	Cap	
	9	<b>15072</b>	Suction cups with toggle (pair)	
	10	<b>15071</b>	Screw-in suction cups (pair)	
	10	<b>15189</b>	Set of screw-in suction cups, ø 8 cm (4 pcs)	
	9+10	<b>15353</b>	Set of suction cups (pair with toggle / pair of screw-in suction cups), ø 8 cm	
	not. ill.	<b>16240</b>	Set of suction cups large, 130 mm (4 pcs incl. 2 adapter inserts)	
	11	<b>15121</b>	Lid for suction cup	
	12	<b>14462</b>	U-clamp	
	13	<b>14377</b>	Backrest complete, without cover	
	13	<b>14452</b>	Backrest, frame only	
	14	<b>15815</b>	Actuator complete (motor, pulley assembly, spindle foot)	
	15	<b>15829</b>	Pulley assembly incl. screws and nuts	
	16	<b>14468</b>	Motor bolt	
	17	<b>15687</b>	Circuit board motor control	
	18	<b>16093</b>	Casing for actuator	
	19	<b>14457</b>	Gasket for casing	
	20	<b>14451</b>	Compression cup	



Serial number 662527 or higher





## Order Form

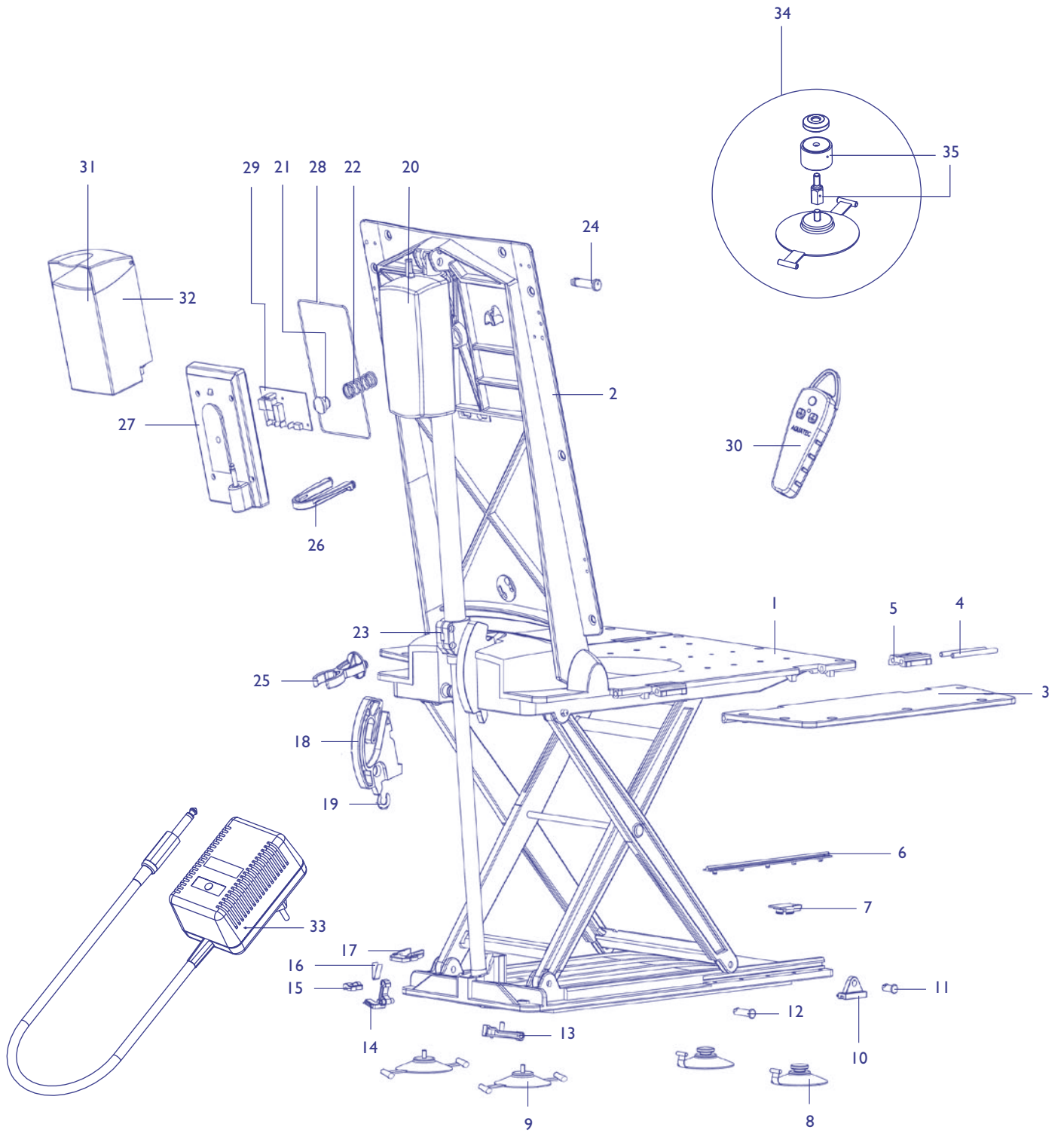
Customer	Telephone
Delivery address	Telefax
	Com.
	Sender
	Customer number

Serial number:

Units	No.	Order No.	Description
	21	<b>14441</b>	Flange for compression cup
	22	<b>14885</b>	Clamp
	23	<b>15394</b>	Hand control with spiral cable
	24	<b>14470</b>	Spindle catch
	25	<b>14502</b>	Rubber ring, 60 x 1,5 mm (not ill.)
	26	<b>14978</b>	Locking device (please order also 2x spring, order no. 14929)
	27	<b>14929</b>	Spring for locking device
	28	<b>15170</b>	Height adapter set, 2 cm (height adapters and conversion kit for front suction cups)
	29	<b>14694</b>	Expanding set height adapters, 2 cm (height adapters, without conversion kit)
	30	<b>15088</b>	Battery charger (Europe)
	30	<b>15237</b>	Battery charger (GB)
	30	<b>15239</b>	Battery charger (USA)
	31	<b>15635</b>	Reduction PG 9 / PG 7
	32	<b>15224</b>	Glass fuse for battery, 5 x 20 5 A inert
	33	<b>15193</b>	Battery complete
			<b>not illustrated</b>
		<b>1x 15170 + 1x 14694</b>	Height adapter set, 4 cm (height adapters and conversion kit for front suction cups)
		<b>1x 15170 + 2x 14694</b>	Height adapter set, 6 cm (height adapters and conversion kit for front suction cups)
		<b>15298</b>	Conversion kit without height adapters (adapter inserts, suction cups)
		<b>15877</b>	Recirculation kit, white: cover set (seat and backrest), suction cups, lids for suction cups, user manual
		<b>15878</b>	Recirculation kit, blue: cover set (seat and backrest), suction cups, lids for suction cups, user manual
		<b>15243</b>	Cover special backrest, white
		<b>15244</b>	Cover special backrest, blue
		<b>15466</b>	Cover head support, white
		<b>15467</b>	Cover head support, blue
		<b>15622</b>	User manual



Serial number 701305 or lower





## Order Form

Customer	Telephone
Delivery address	Telefax
	Com.
	Sender
	Customer number

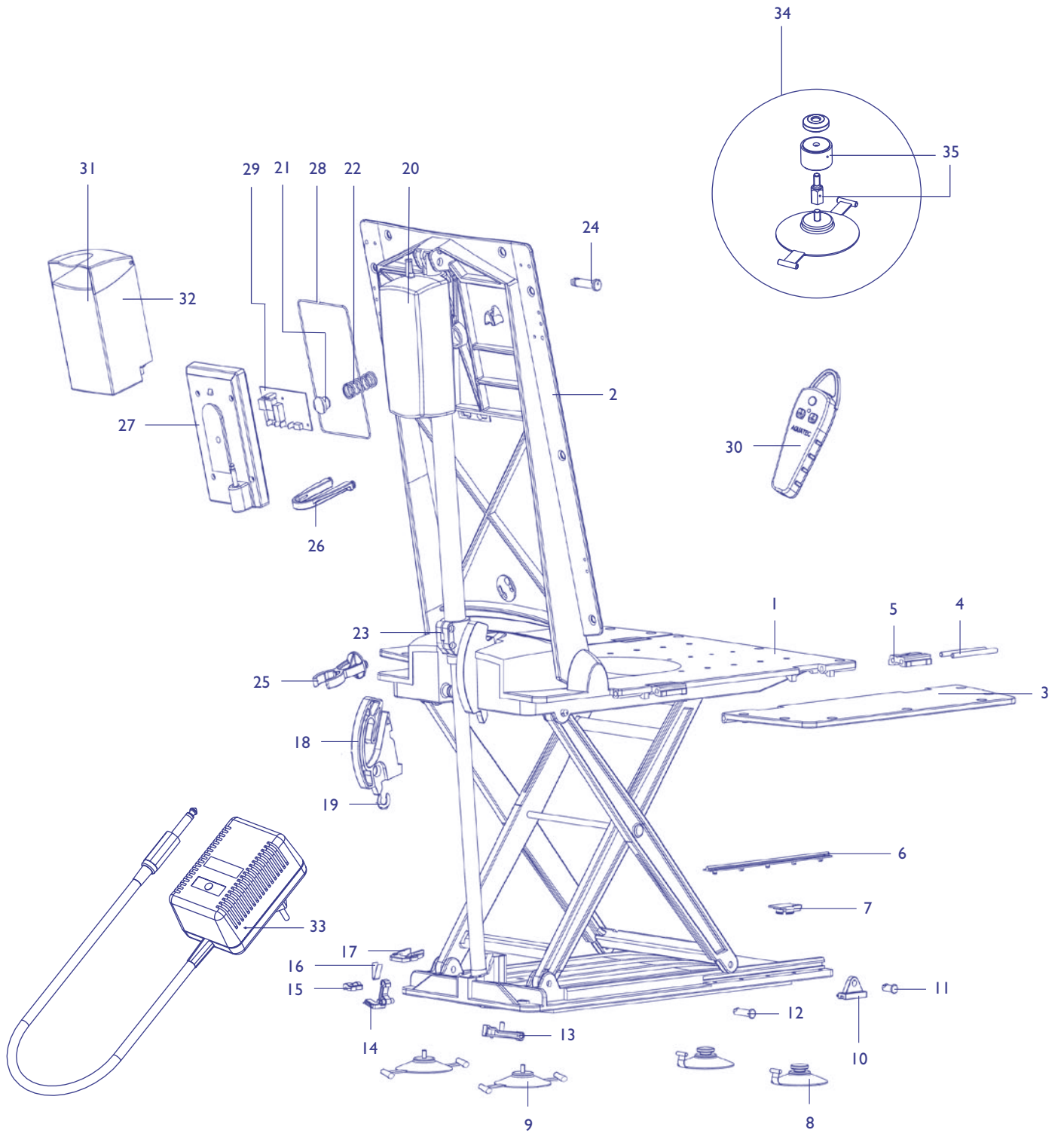
Serial number:

Units	No.	Order No.	Description
	1	<b>15179</b>	Cover seat, white
	2	<b>15419</b>	Cover backrest, white
	1+2	<b>15459</b>	Cover set (seat and backrest), white
	2	<b>16169*</b>	Backrest, frame only
	3	<b>15124</b>	Sideflap
	4	<b>15122</b>	Hinge bolt
	5	<b>15123</b>	Hinge plate
	6	<b>15115</b>	Gliding rail
	7	<b>15121</b>	Lid for suction cup
	8	<b>15072</b>	Suction cups with toggle (pair)
	9	<b>15071</b>	Screw-in suction cups (pair)
	8+9	<b>15353</b>	Set of suction cups (pair with toggle / pair of screw-in suction cups), ø 8 cm
	not ill.	<b>16240</b>	Set of suction cups large, 130 mm (4 pcs incl. 2 adapter inserts)
	10	<b>15106</b>	Gliding shoe
	11	<b>15105</b>	Bolt for gliding shoe
	12	<b>15104</b>	Bolt for U-bearing
	13	<b>15470</b>	Latch with pressure spring (until 2000-04-24)
	13	<b>15669</b>	Latch with pressure spring (from serial no. seat 587043, since 2000-04-25)
	14	<b>15338</b>	Bar
	15	<b>15340</b>	Bearing cap
	16	<b>15415</b>	Spring
	17	<b>15336</b>	Plate
	18	<b>15342</b>	Guiding plate, left side
	18	<b>15343</b>	Guiding plate, right side
	19	<b>15344</b>	Securing washer
	20	<b>15828</b>	Actuator complete (motor, pulley assembly, spindle foot)
	21	<b>15441</b>	Pressure piece
	22	<b>15445</b>	Pressure spring
	23	<b>15831</b>	Pulley assembly incl. screws and nuts
	24	<b>14468</b>	Motor bolt

\* Please indicate serial number.



Serial number 701305 or lower





## Order Form

Customer	Telephone
Delivery address	Telefax
	Com.
	Sender
	Customer number

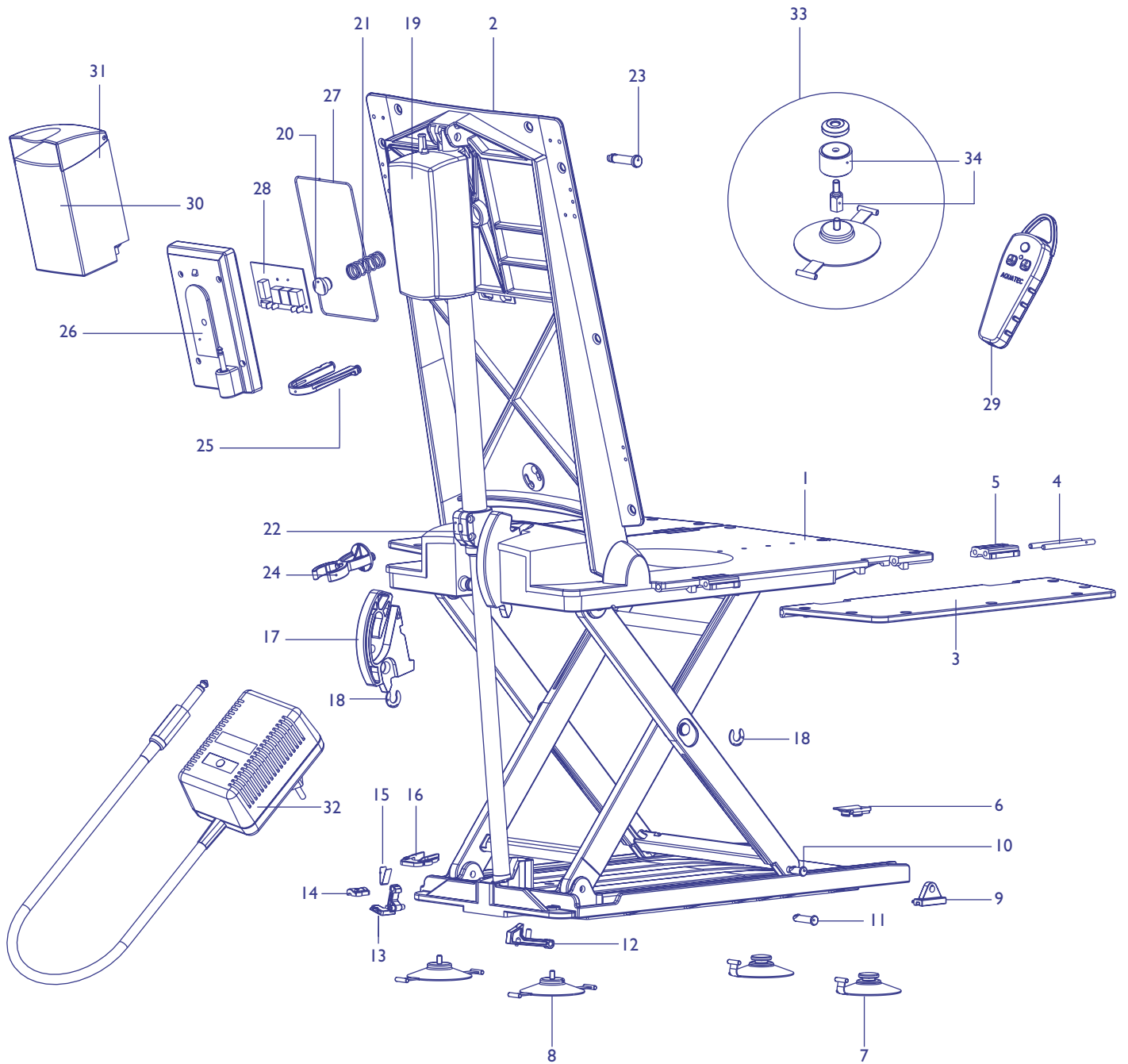
Serial number:

Units	No.	Order No.	Description	
	25	<b>15349</b>	Spindle catch	
	26	<b>15350</b>	Holder	
	27	<b>15937</b>	Lid with plug	
	28	<b>15469</b>	Gasket for electronic cover	
	29	<b>15183</b>	Circuit board	
	30	<b>16214</b>	Hand control with spiral cable	
	31	<b>15166</b>	Battery complete	
	32	<b>15224</b>	Glass fuse for battery, 5 x 20 5 A inert	
	33	<b>15088</b>	Battery charger (Europe)	
	33	<b>15237</b>	Battery charger (GB)	
	33	<b>15239</b>	Battery charger (USA)	
	34	<b>15170</b>	Height adapter set, 2 cm (height adapters and conversion kit for front suction cups)	
	35	<b>14694</b>	Expanding set height adapters, 2 cm (height adapters, without conversion kit)	
			<b>not illustrated</b>	
		<b>1 x 15170 + 1 x 14694</b>	Height adapter set, 4 cm (height adapters and conversion kit for front suction cups)	
		<b>1 x 15170 + 2 x 14694</b>	Height adapter set, 6 cm (height adapters and conversion kit for front suction cups)	
		<b>15298</b>	Conversion kit without height adapters (adapter inserts, suction cups)	
		<b>15880</b>	Recirculation kit, white: cover set (seat and backrest), suction cups, lids for suction cups, user manual	
		<b>15623</b>	User manual	





Serial number 701306 until 900731





## Order Form

Customer	Telephone
Delivery address	Telefax
	Com.
	Sender
	Customer number

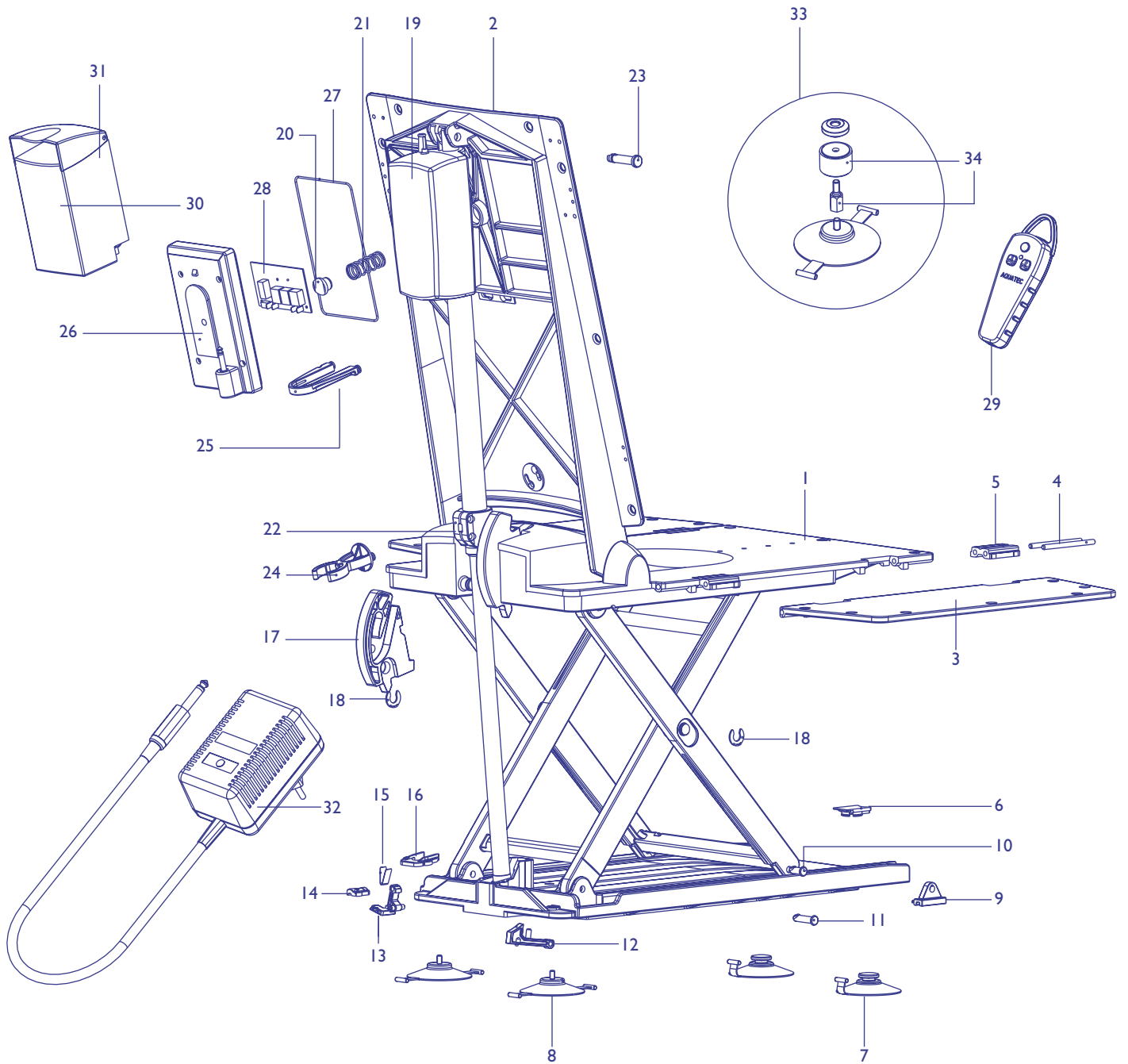
**Serial number:**

Units	No.	Order No.	Description	
	1	<b>15179</b>	Cover seat, white	
	2	<b>15419</b>	Cover backrest, white	
	1+2	<b>15459</b>	Cover set (seat and backrest), white	
	2	<b>16169*</b>	Backrest, frame only	
	3	<b>15124</b>	Sideflap	
	4	<b>15122</b>	Hinge bolt	
	5	<b>15123</b>	Hinge plate	
	6	<b>15121</b>	Lid for suction cup	
	7	<b>15072</b>	Suction cups with toggle (pair)	
	8	<b>15071</b>	Screw-in suction cups (pair)	
	7+8	<b>15353</b>	Set of suction cups (pair with toggle / pair of screw-in suction cups), ø 8 cm	
	not ill.	<b>16240</b>	Set of suction cups large, 130 mm (4 pcs incl. 2 adapter inserts)	
	9	<b>15106</b>	Gliding shoe	
	10	<b>15105</b>	Bolt for gliding shoe	
	11	<b>15104</b>	Bolt for U-bearing	
	12	<b>15669</b>	Latch with pressure spring	
	13	<b>15338</b>	Bar	
	14	<b>15340</b>	Bearing cap	
	15	<b>15415</b>	Spring	
	16	<b>15336</b>	Plate	
	17	<b>15342</b>	Guiding plate, left side	
	17	<b>15343</b>	Guiding plate, right side	
	18	<b>15344</b>	Securing washer	
	19	<b>15828</b>	Actuator complete (motor, pulley assembly, spindle foot)	
	20	<b>15441</b>	Pressure piece	
	21	<b>15445</b>	Pressure spring	
	22	<b>15831</b>	Pulley assembly incl. screws and nuts	
	23	<b>14468</b>	Motor bolt	

\* Please indicate serial number.



Serial number 701306 until 900731





## Order Form

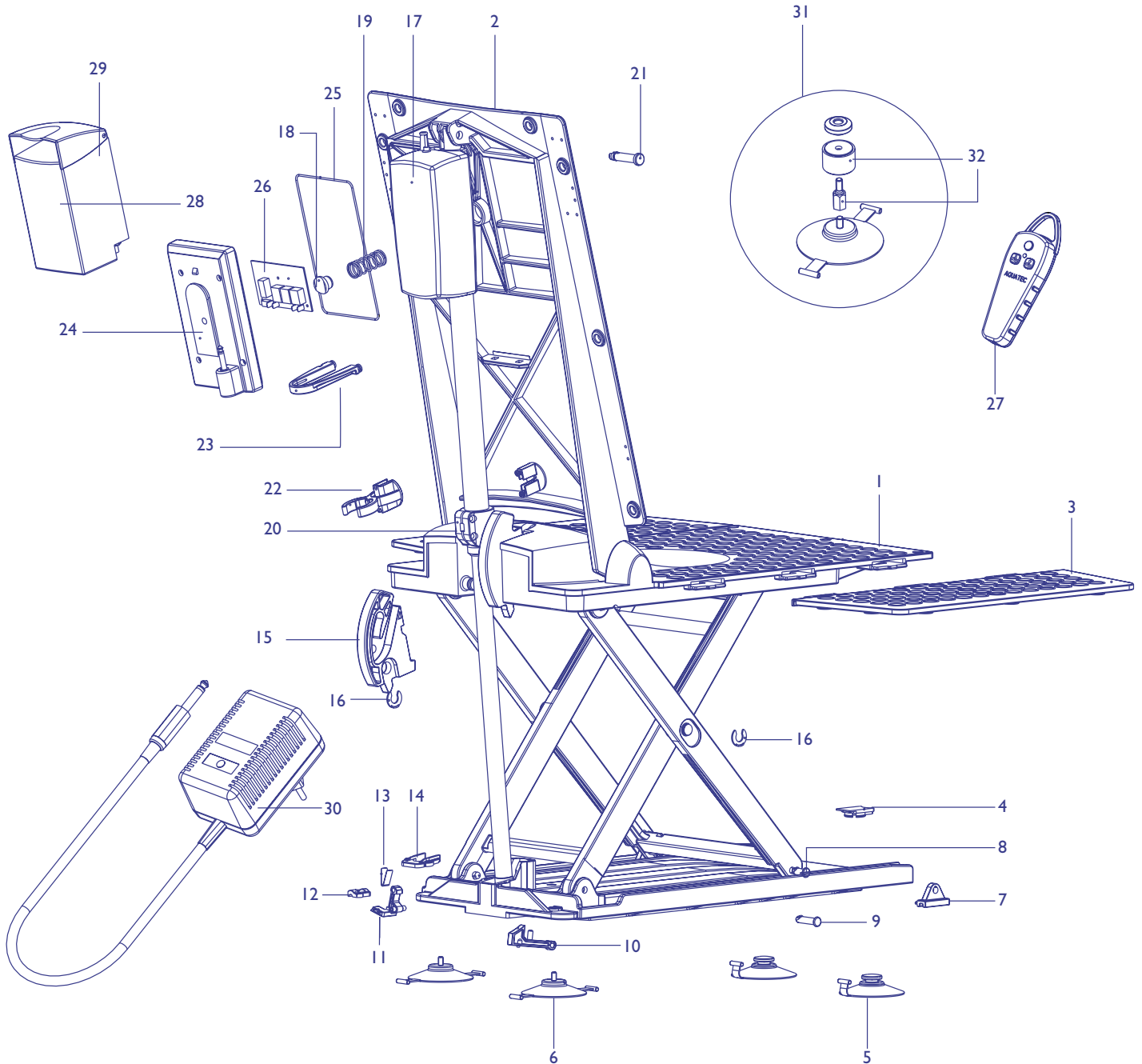
Customer	Telephone
Delivery address	Telefax
	Com.
	Sender
	Customer number

Serial number:

Units	No.	Order No.	Description
	24	<b>15349</b>	Spindle catch
	25	<b>15350</b>	Holder
	26	<b>15937</b>	Lid with plug
	27	<b>15469</b>	Gasket for electronic cover
	28	<b>15183</b>	Circuit board
	29	<b>16214</b>	Hand control with spiral cable
	30	<b>15166</b>	Battery complete
	31	<b>15224</b>	Glass fuse for battery, 5 x 20 5 A inert
	32	<b>15088</b>	Battery charger (Europe)
	32	<b>15237</b>	Battery charger (GB)
	32	<b>15239</b>	Battery charger (USA)
	33	<b>15170</b>	Height adapter set, 2 cm (height adapters and conversion kit for front suction cups)
	34	<b>14694</b>	Expanding set height adapters, 2 cm (height adapters, without conversion kit)
			<b>not illustrated</b>
		<b>1 x 15170 + 1 x 14694</b>	Height adapter set, 4 cm (height adapters and conversion kit for front suction cups)
		<b>1 x 15170 + 2 x 14694</b>	Height adapter set, 6 cm (height adapters and conversion kit for front suction cups)
		<b>15298</b>	Conversion kit without height adapters (adapter inserts, suction cups)
		<b>15880</b>	Recirculation kit, white: cover set (seat and backrest), suction cups, lids for suction cups, user manual
		<b>15623</b>	User manual



Serial number 900732 or higher





## Order Form

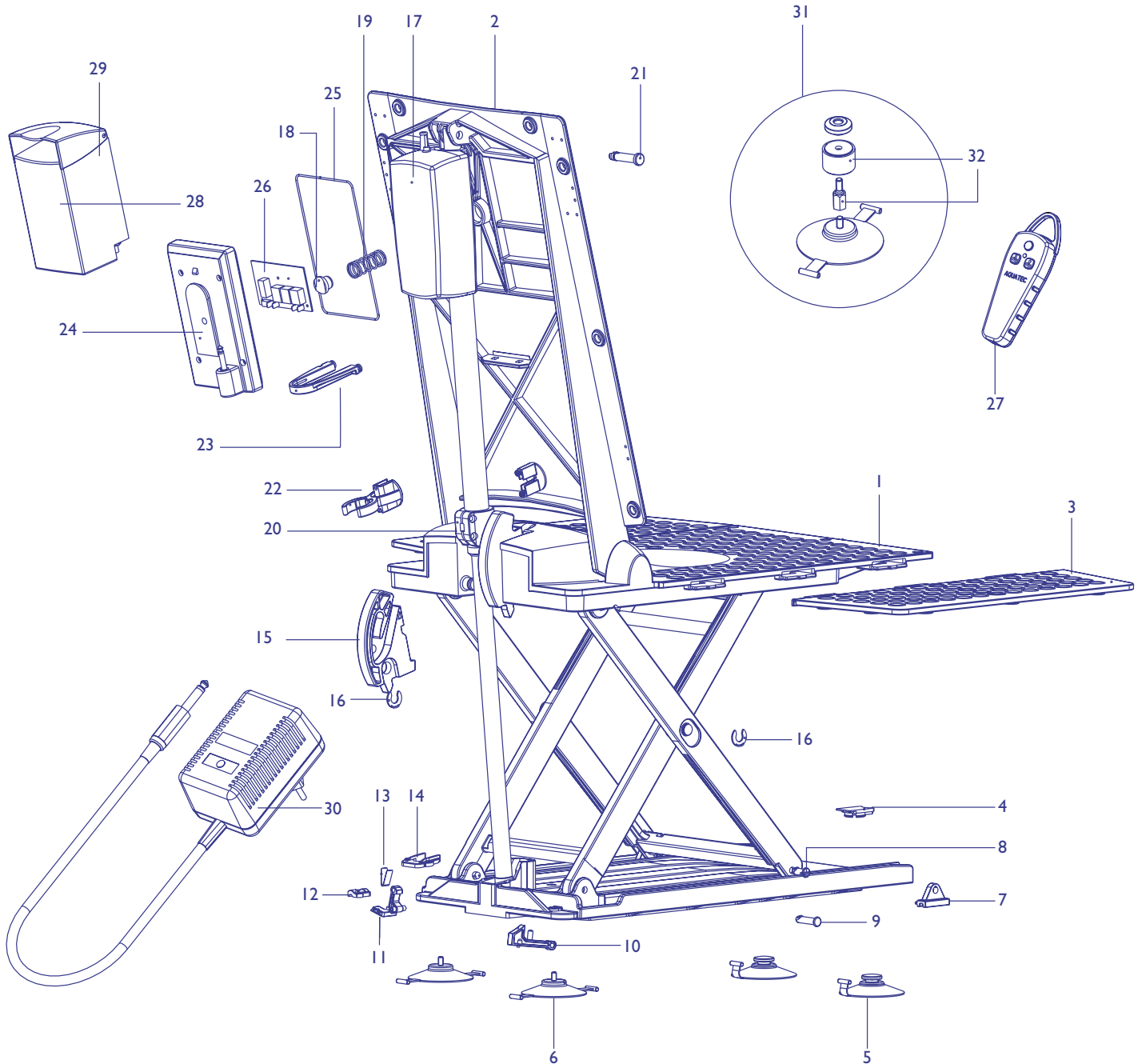
Customer	Telephone
Delivery address	Telefax
	Com.
	Sender
	Customer number

**Serial number:**

Units	No.	Order No.	Description	
	1	<b>15179</b>	Cover seat, white	
	2	<b>15419</b>	Cover backrest, white	
	1+2	<b>15459</b>	Cover set (seat and backrest), white	
	2	<b>16169</b>	Backrest, frame only	
	3	<b>15892</b>	Sideflap with filmhinge	
	4	<b>15121</b>	Lid for suction cup	
	5	<b>15072</b>	Suction cups with toggle (pair)	
	6	<b>15071</b>	Screw-in suction cups (pair)	
	5+6	<b>15353</b>	Set of suction cups (pair with toggle / pair of screw-in suction cups), ø 8 cm	
	not ill.	<b>16240</b>	Set of suction cups large, 130 mm (4 pcs incl. 2 adapter inserts)	
	7	<b>15106</b>	Gliding shoe	
	8	<b>15105</b>	Bolt for gliding shoe	
	9	<b>15104</b>	Bolt for U-bearing	
	10	<b>15669</b>	Latch with pressure spring	
	11	<b>15338</b>	Bar	
	12	<b>15340</b>	Bearing cap	
	13	<b>15415</b>	Spring	
	14	<b>15336</b>	Plate	
	15	<b>15342</b>	Guiding plate, left side	
	15	<b>15343</b>	Guiding plate, right side	
	16	<b>15344</b>	Securing washer	
	17	<b>15828</b>	Actuator complete (motor, pulley assembly, spindle foot)	
	18	<b>15441</b>	Pressure piece	
	19	<b>15445</b>	Pressure spring	
	20	<b>15831</b>	Pulley assembly incl. screws and nuts	
	21	<b>14468</b>	Motor bolt	



Serial number 900732 or higher





## Order Form

Customer	Telephone
Delivery address	Telefax
	Com.
	Sender
	Customer number

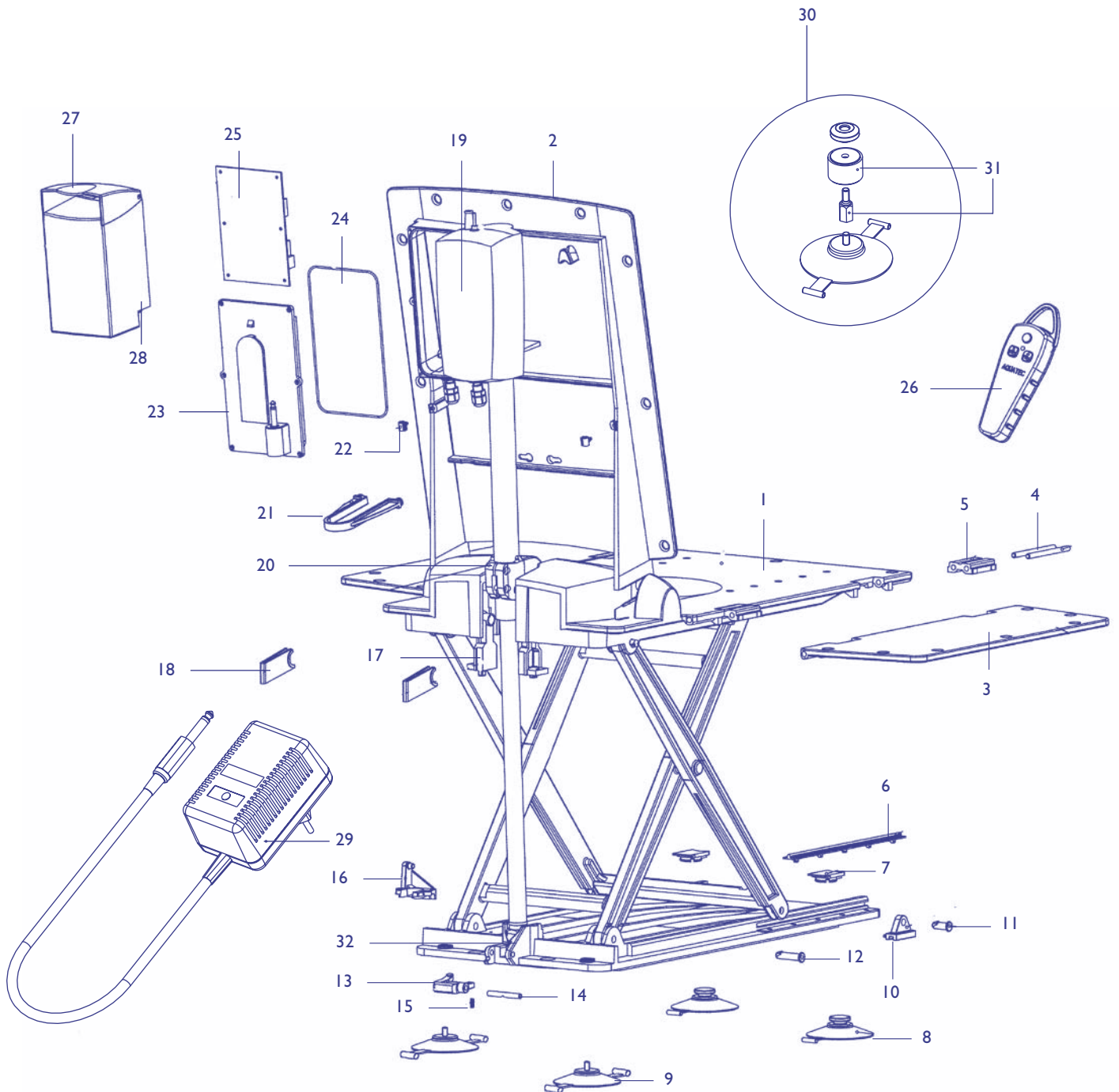
Serial number:

Units	No.	Order No.	Description	
	22	<b>16220</b>	Spindle catch	
	23	<b>15905</b>	Holder	
	24	<b>15937</b>	Lid with plug for 4 screws (until 2003-12-08, until serial no. 1258713)	
	24	<b>16586</b>	Lid with plug for 5 screws (since 2003-12-09, since serial no. 1258714)	
	25	<b>15469</b>	Gasket for electronic cover	
	26	<b>15183</b>	Circuit board	
	27	<b>16214</b>	Hand control with spiral cable	
	28	<b>15166</b>	Battery complete	
	29	<b>15224</b>	Glass fuse for battery, 5 x 20 5 A inert	
	30	<b>15088</b>	Battery charger (Europe)	
	30	<b>15237</b>	Battery charger (GB)	
	30	<b>15239</b>	Battery charger (USA)	
	31	<b>15170</b>	Height adapter set, 2 cm (height adapters and conversion kit for front suction cups)	
	32	<b>14694</b>	Expanding set height adapters, 2 cm (height adapters, without conversion kit)	
			<b>not illustrated</b>	
		<b>1x 15170 + 1x 14694</b>	Height adapter set, 4 cm (height adapters and conversion kit for front suction cups)	
		<b>1x 15170 + 2x 14694</b>	Height adapter set, 6 cm (height adapters and conversion kit for front suction cups)	
		<b>15298</b>	Conversion kit without height adapters (adapter inserts, suction cups)	
		<b>15880</b>	Recirculation kit, white: cover set (seat and backrest), suction cups, lids for suction cups, user manual	
		<b>16110</b>	Cover special backrest, white	
		<b>15466</b>	Cover head support, white	
		<b>15623</b>	User manual	





Serial number 720132 or lower





## Order Form

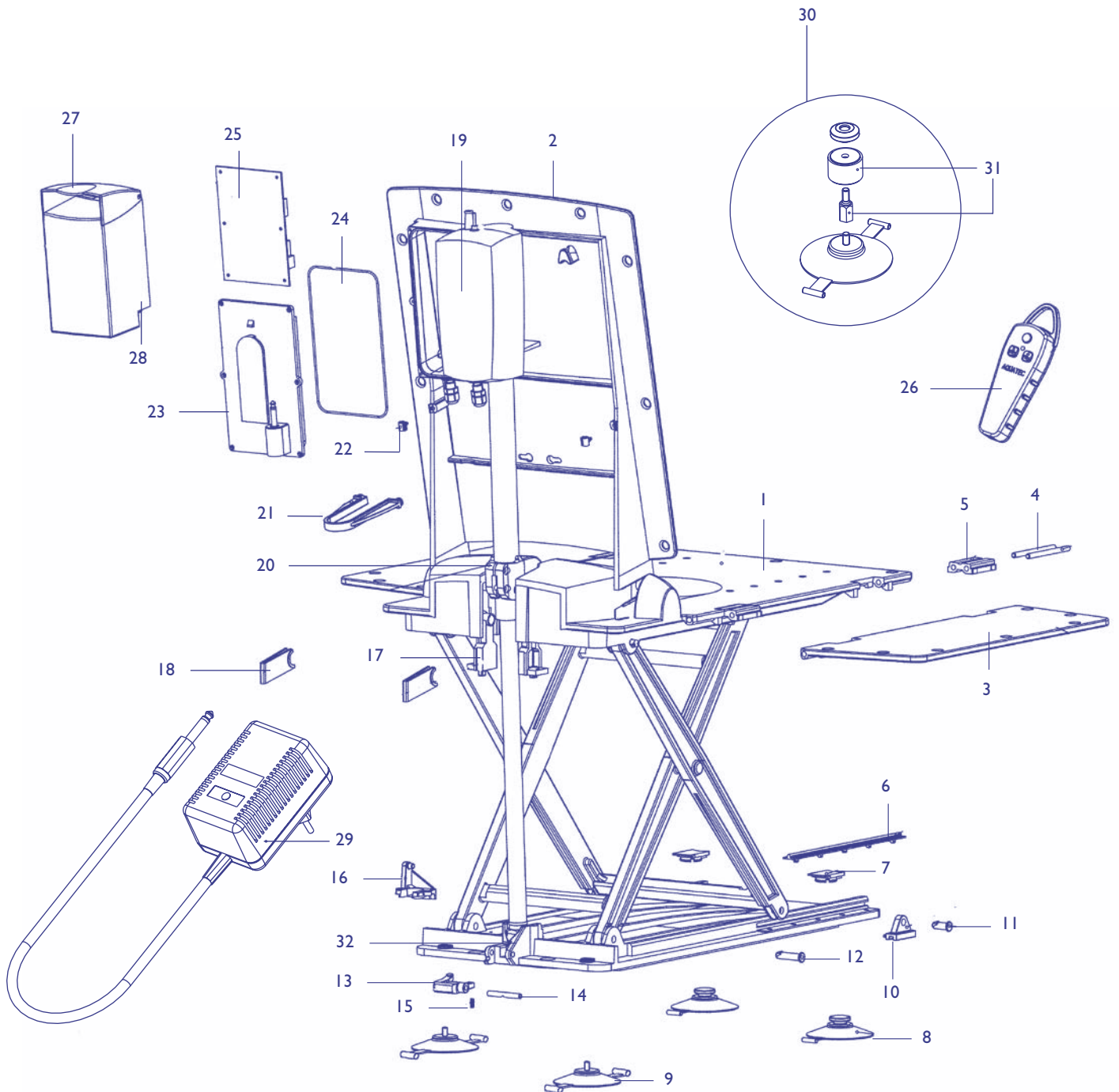
Customer	Telephone
Delivery address	Telefax
	Com.
	Sender
	Customer number

Serial number:

Units	No.	Order No.	Description	
	1	<b>15179</b>	Cover seat, white	
	2	<b>15181</b>	Cover backrest, white	
	1+2	<b>15232</b>	Cover set (seat and backrest), white	
	2	<b>15967*</b>	Backrest, frame only	
	3	<b>15124</b>	Sideflap	
	4	<b>15122</b>	Hinge pin	
	5	<b>15123</b>	Hinge plate	
	6	<b>15115</b>	Gliding rail	
	7	<b>15121</b>	Lid for suction cup	
	8	<b>15072</b>	Suction cups with toggle (pair)	
	9	<b>15071</b>	Screw-in suction cups (pair)	
	8+9	<b>15353</b>	Set of suction cups (pair with toggle / pair of screw-in suction cups), ø 8 cm	
	not ill.	<b>16240</b>	Set of suction cups large, 130 mm (4 pcs incl. 2 adapter inserts)	
	10	<b>15106</b>	Gliding shoe	
	11	<b>15105</b>	Bolt for gliding shoe	
	12	<b>15104</b>	Bolt for U-bearing	
	13	<b>15113</b>	Bar	
	14	<b>15103</b>	Bolt	
	15	<b>14929</b>	Spring	
	16	<b>15114</b>	Plate for spindle foot	
	17	<b>15110</b>	Bearing left / right (until 1999-03)	
	17	<b>15293</b>	Bearing left side, with stud (since 1999-04-01)	
	17	<b>15292</b>	Bearing right side, without stud (since 1999-04-01)	
	18	<b>15738</b>	Bearing cup	
	19	<b>15255</b>	Actuator complete (motor, pulley assembly, spindle foot)	



Serial number 720132 or lower





## Order Form

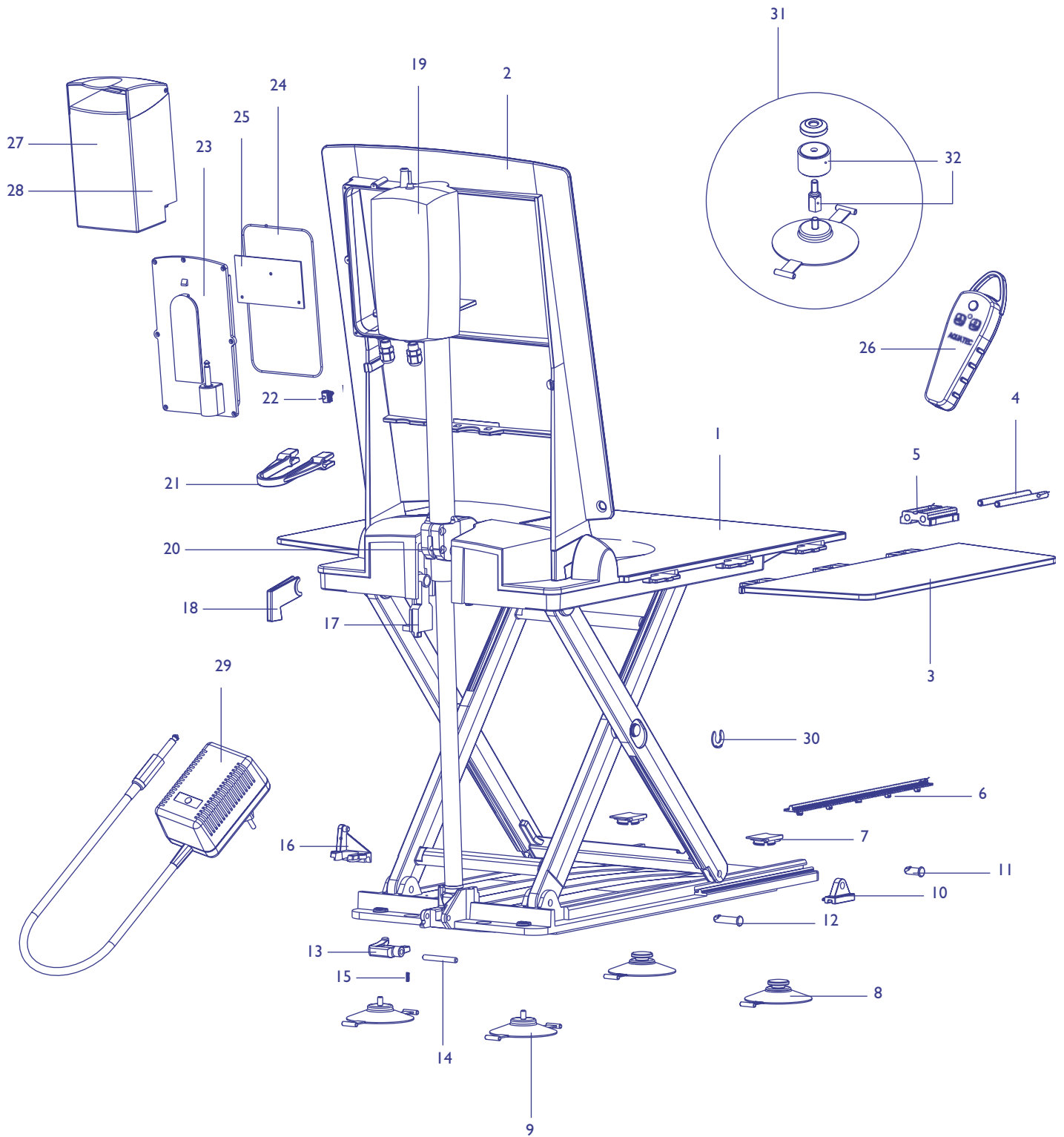
Customer	Telephone
Delivery address	Telefax
	Com.
	Sender
	Customer number

**Serial number:**

Units	No.	Order No.	Description
	20	<b>15830</b>	Pulley assembly incl. screws and nuts
	21	<b>15117</b>	Holder
	22	<b>15133</b>	Cable holder
	23	<b>15367</b>	Lid with plug
	24	<b>15140</b>	Gasket for electronic cover
	25	<b>15183</b>	Circuit board
	26	<b>16215</b>	Hand control with spiral cable
	27	<b>15166</b>	Battery complete
	28	<b>15224</b>	Glass fuse for battery, 5 x 20 5 A inert
	29	<b>15088</b>	Battery charger (Europe)
	29	<b>15237</b>	Battery charger (GB)
	29	<b>15239</b>	Battery charger (USA)
	30	<b>15170</b>	Height adapter set, 2 cm (height adapters and conversion kit for front suction cups)
	31	<b>14694</b>	Expanding set height adapters, 2 cm (height adapters, without conversion kit)
	32	<b>16297</b>	Repair set for spindle foot, with glue
	32	<b>15296</b>	Repair set for spindle foot, without glue
	32	<b>10837</b>	Glue Epple LOC 3500/A for repair set
			<b>not illustrated</b>
		<b>1x 15170 + 1x 14694</b>	Height adapter set, 4 cm (height adapters and conversion kit for front suction cups)
		<b>1x 15170 + 2x 14694</b>	Height adapter set, 6 cm (height adapters and conversion kit for front suction cups)
		<b>15298</b>	Conversion kit without height adapters (adapter inserts, suction cups)
		<b>15881</b>	Recirculation set, white: cover set (seat and backrest), suction cups, lids for suction cups, user manual
		<b>15624</b>	User manual



Serial number 720133 until 761894





## Order Form

Customer	Telephone
Delivery address	Telefax
	Com.
	Sender
	Customer number

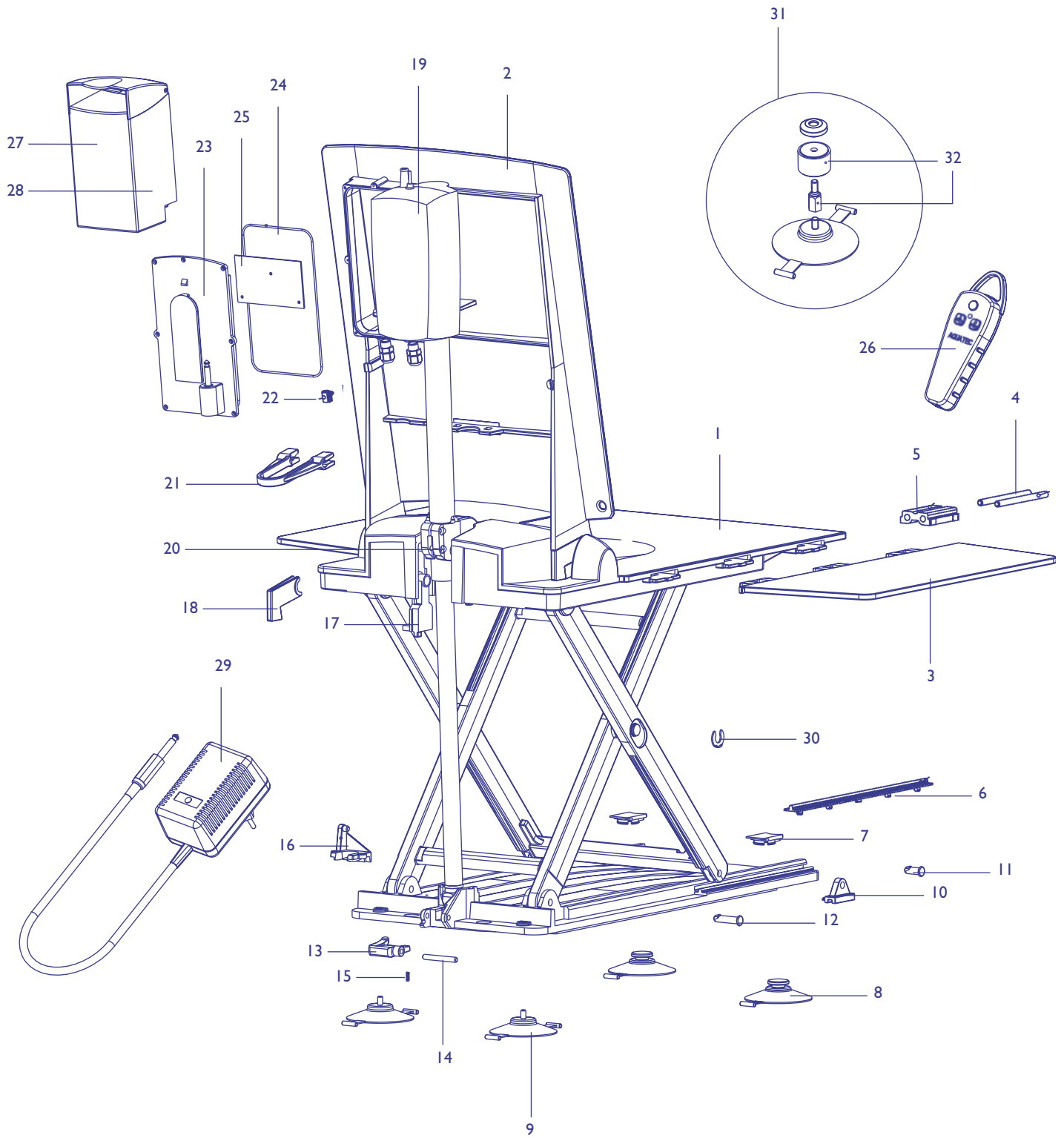
**Serial number:**

Units	No.	Order No.	Description
	1	<b>15179</b>	Cover seat, white
	2	<b>15181</b>	Cover backrest, white
	1+2	<b>15232</b>	Cover set (seat and backrest), white
	2	<b>15967*</b>	Backrest, frame only
	3	<b>15124</b>	Sideflap
	4	<b>15122</b>	Hinge pin
	5	<b>15123</b>	Hinge plate
	6	<b>15115</b>	Gliding rail
	7	<b>15121</b>	Lid for suction cup
	8	<b>15072</b>	Suction cups with toggle (pair)
	9	<b>15071</b>	Screw-in suction cups (pair)
	8+9	<b>15353</b>	Set of suction cups (pair with toggle / pair of screw-in suction cups), ø 8 cm
	not ill.	<b>16240</b>	Set of suction cups large, 130 mm (4 pcs incl. 2 adapter inserts)
	10	<b>15106</b>	Gliding shoe
	11	<b>15105</b>	Bolt for gliding shoe
	12	<b>15104</b>	Bolt for U-bearing
	13	<b>15113</b>	Bar
	14	<b>15103</b>	Bolt
	15	<b>14929</b>	Spring
	16	<b>15114</b>	Plate for spindle foot
	17	<b>15293</b>	Bearing left side, with stud
	17	<b>15292</b>	Bearing right side, without stud
	18	<b>15738</b>	Bearing cup
	19	<b>15255</b>	Actuator complete (motor, pulley assembly, spindle foot)
	20	<b>15830</b>	Pulley assembly incl. screws and nuts
	21	<b>15117</b>	Holder
	22	<b>15133</b>	Cable holder
	23	<b>15367</b>	Lid with plug
	24	<b>15140</b>	Gasket for electronic cover
	25	<b>15183</b>	Circuit board

\* Please indicate serial number.



Serial number 720133 until 761894





## Order Form

Customer	Telephone
Delivery address	Telefax
	Com.
	Sender
	Customer number

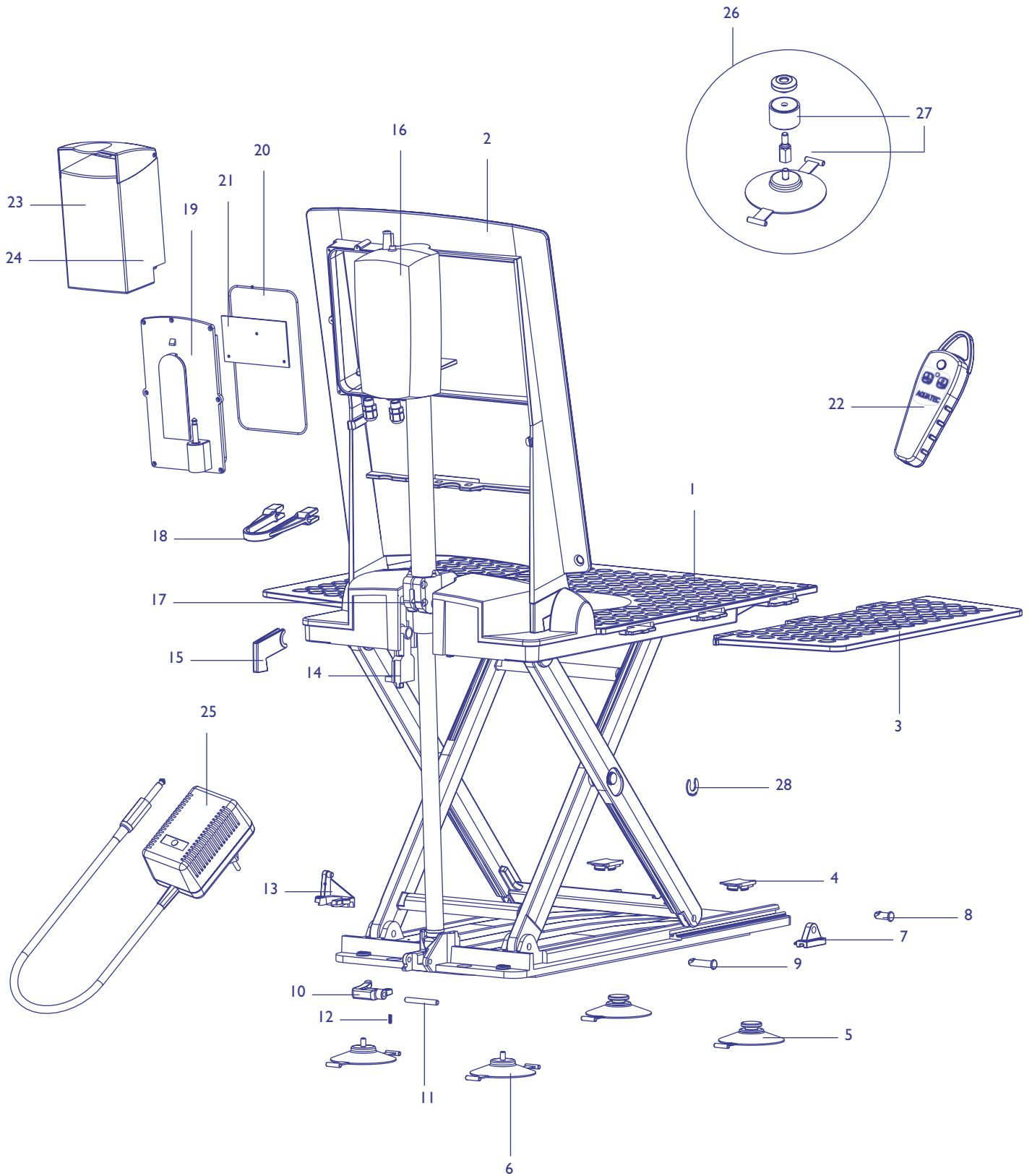
Serial number:

Units	No.	Order No.	Description	
	26	<b>16215</b>	Hand control with spiral cable	
	27	<b>15166</b>	Battery complete	
	28	<b>15224</b>	Glass fuse for battery, 5 x 20 5 A inert	
	29	<b>15088</b>	Battery charger (Europe)	
	29	<b>15237</b>	Battery charger (GB)	
	29	<b>15239</b>	Battery charger (USA)	
	30	<b>15344</b>	Securing washer	
	31	<b>15170</b>	Height adapter set, 2 cm (height adapters and conversion kit for front suction cups)	
	32	<b>14694</b>	Expanding set height adapters, 2 cm (height adapters, without conversion kit)	
			<b>not illustrated</b>	
		<b>1 x 15170 + 1 x 14694</b>	Height adapter set, 4 cm (height adapters and conversion kit for front suction cups)	
		<b>1 x 15170 + 2 x 14694</b>	Height adapter set, 6 cm (height adapters and conversion kit for front suction cups)	
		<b>15298</b>	Conversion kit without height adapters (adapter inserts, suction cups)	
		<b>15881</b>	Recirculation kit, white: cover set (seat and backrest), suction cups, lids for suction cups, user manual	
		<b>15624</b>	User manual	





Serial number 761895 or higher





## Order Form

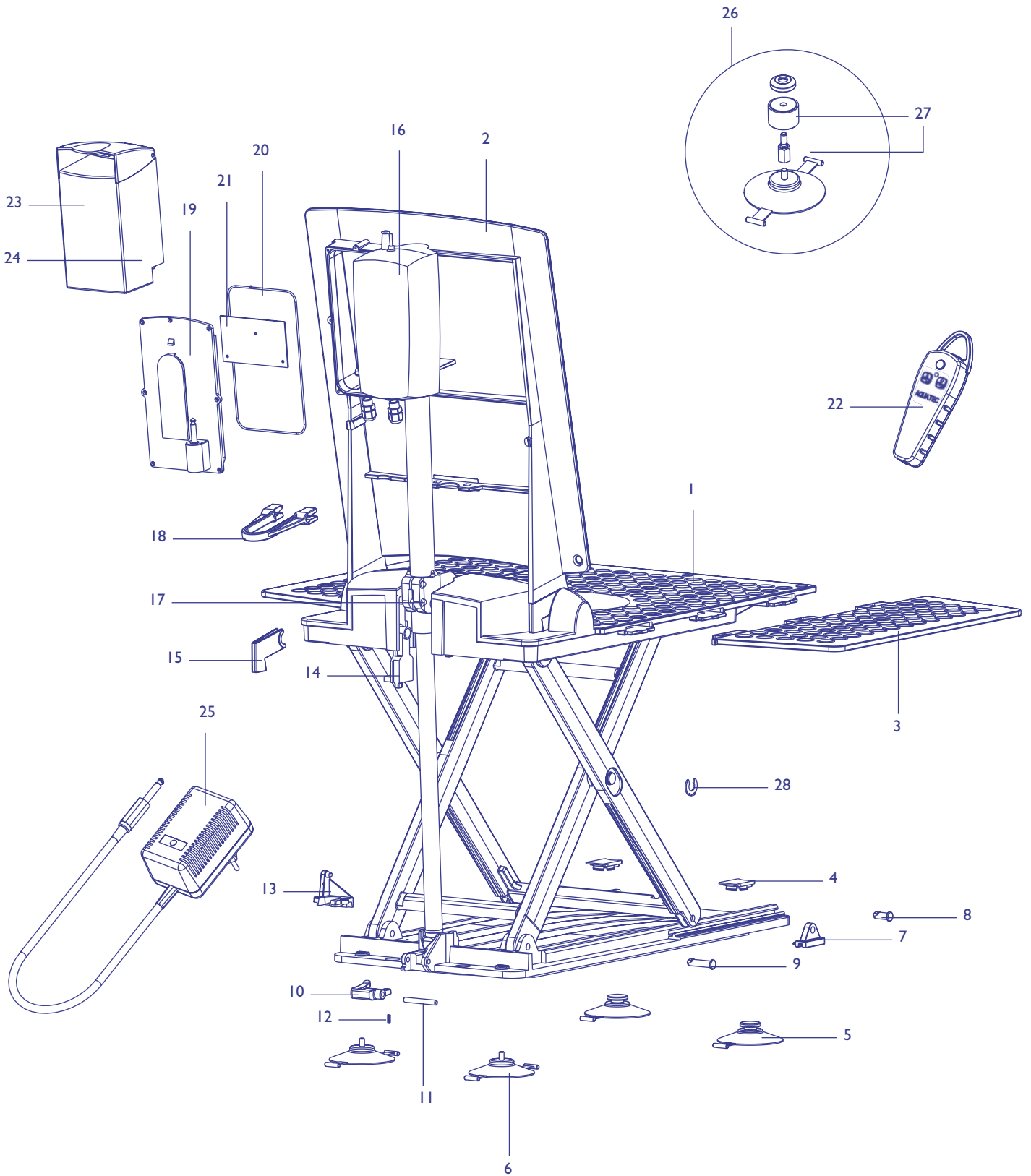
Customer	Telephone
Delivery address	Telefax
	Com.
	Sender
	Customer number

**Serial number:**

Units	No.	Order No.	Description
	1	<b>16018</b>	Cover seat, white (serial no. 761895 until 1104126)
	1	<b>16399</b>	Cover seat, white (from serial no. 1104127)
	2	<b>15959</b>	Cover backrest, white
	1+2	<b>16025</b>	Cover set (seat and backrest), white (serial no. 761895 until 1104126)
	1+2	<b>16572</b>	Cover set (seat and backrest), white (from serial no. 1104127)
	2	<b>15967</b>	Backrest, frame only
	3	<b>15892</b>	Sideflap with filmhinge
	4	<b>15121</b>	Lid for suction cup
	5	<b>15072</b>	Suction cups with toggle (pair)
	6	<b>15071</b>	Screw-in suction cups (pair)
	5+6	<b>15353</b>	Set of suction cups (pair with toggle / pair of screw-in suction cups), ø 8 cm
	not ill.	<b>16240</b>	Set of suction cups large, 130 mm (4 pcs incl. 2 adapter inserts)
	7	<b>15106</b>	Gliding shoe
	8	<b>15105</b>	Bolt for gliding shoe
	9	<b>15104</b>	Bolt for U-bearing
	10	<b>15113</b>	Bar
	11	<b>15103</b>	Bolt
	12	<b>14929</b>	Spring
	13	<b>15114</b>	Plate for spindle foot
	14	<b>15293</b>	Bearing left side, with stud
	14	<b>15292</b>	Bearing right side, without stud
	15	<b>15738</b>	Bearing cup
	16	<b>15255</b>	Actuator complete (motor, pulley assembly, spindle foot)
	17	<b>15830</b>	Pulley assembly incl. screws and nuts
	18	<b>15905</b>	Holder
	19	<b>15367</b>	Lid with plug
	20	<b>15140</b>	Gasket for electronic cover
	21	<b>15183</b>	Circuit board
	22	<b>16215</b>	Hand control with spiral cable
	23	<b>15166</b>	Battery complete



Serial number 761895 or higher



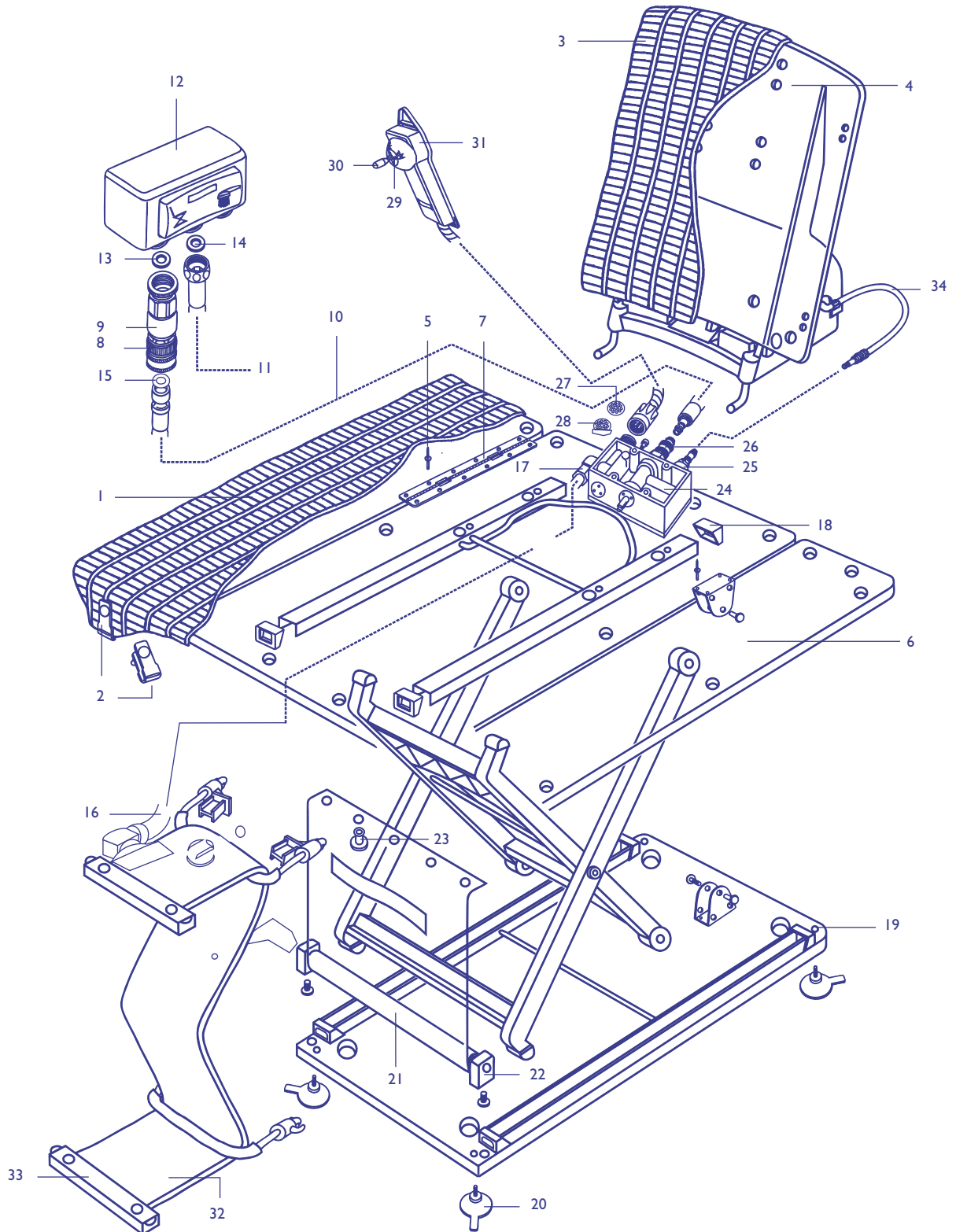


## Order Form

Customer	Telephone
Delivery address	Telefax
	Com.
	Sender
	Customer number

Serial number:

Units	No.	Order No.	Description	
	24	<b>15224</b>	Glass fuse for battery, 5 x 20 5A inert	
	25	<b>15088</b>	Battery charger (Europe)	
	25	<b>15237</b>	Battery charger (UK)	
	25	<b>15239</b>	Battery charger (USA)	
	26	<b>15170</b>	Height adapter set, 2 cm (height adapters and conversion kit for front suction cups)	
	27	<b>14694</b>	Expanding set height adapters, 2 cm (height adapters, without conversion kit)	
	28	<b>15344</b>	Securing washer	
			<b>not illustrated</b>	
		<b>1 x 15170 + 1 x 14694</b>	Height adapter set, 4 cm (height adapters and conversion kit for front suction cups)	
		<b>1 x 15170 + 2 x 14694</b>	Height adapter set, 6 cm (height adapters and conversion kit for front suction cups)	
		<b>15298</b>	Conversion kit without height adapters (adapter inserts, suction cups)	
		<b>15984</b>	Recirculation kit, white: cover set (seat and backrest), suction cups, lids for suction cups, user manual (serial number 761895 until 1104126)	
		<b>16573</b>	Recirculation set, white: cover set (seat and backrest), suction cups, lids for suction cups, user manual (from serial number 1104127)	
		<b>15624</b>	User manual	





## Order Form

Customer	Telephone
Delivery address	Telefax
	Com.
	Sender
	Customer number

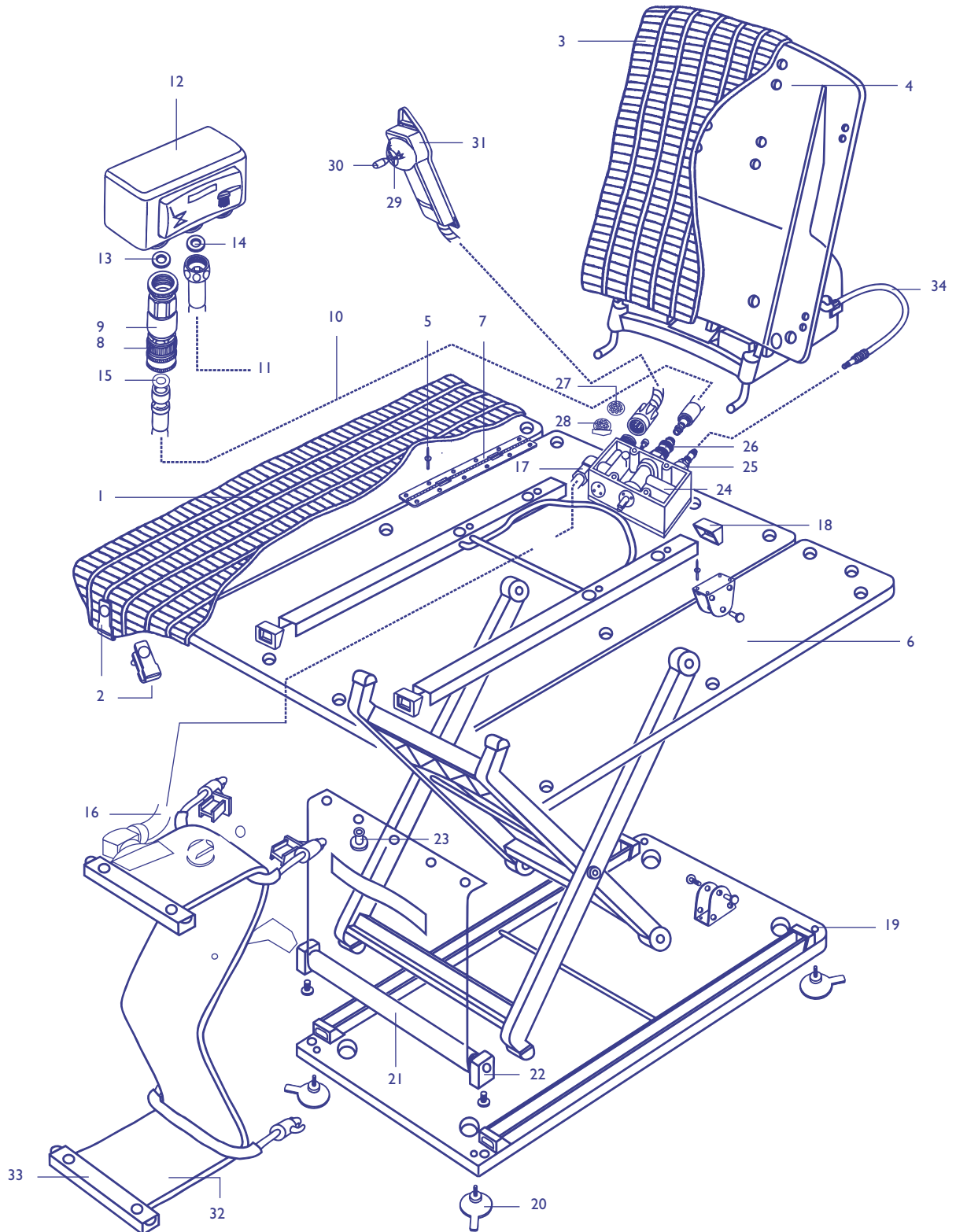
To:  
**AQUATEC GmbH**  
**Alemannenstrasse 10**  
**88316 Isny**  
**Germany**

Telefax  
**++49 (0) 75 62/700-69**

Serial number:

Units	No.	Order No.	Description	Unit Price EURO
	1	<b>11142</b>	Cover seat, blue	52,00
	2	<b>12423</b>	Fixation set for cover, blue	12,75
	3	<b>11535</b>	Cover reclining backrest, blue	40,00
	1+3	<b>14994</b>	Cover set (seat and backrest), blue	70,00
	4	<b>11517</b>	Backrest, reclining, without cover	173,75
	5	<b>14041</b>	Blind rivet 3,2 x 9,5	0,25
	6	<b>10929</b>	Sideflap	63,00
	7	<b>10176</b>	Hinge	8,75
	8	<b>11491</b>	Quick disconnect with securing device, reduction and sieve insert	64,00
	9	<b>11023</b>	Sieve insert, separate (not ill.)	2,00
	10	<b>12404</b>	Supply hose, 2 m	25,00
	11	<b>11302</b>	Shower hose, 1 m	13,00
	12	<b>12585</b>	Switch-over	132,00
	not ill.	<b>11551</b>	Adhesive tape and cleaning cloth for switch-over	4,50
	13	<b>10860</b>	Fibre gasket	0,25
	14	<b>11385</b>	Gasket, 19 x 8 x 1, rubber	0,25
	15	<b>11661</b>	O-ring, 18 x 2	1,00
	16	<b>11020</b>	Connection hose, blue, 1 m	6,25
	17	<b>10356</b>	Aluminium nuts	1,00
	18	<b>10933</b>	C-rail cover	0,25
	19	<b>11127</b>	Sleeve nut for suction cup	0,50
	20	<b>12496</b>	Set of suction cups	13,50
	20	<b>10073</b>	Set of suction cups (until 1992)	16,00
	21	<b>12478</b>	Footguard complete	96,00
	22	<b>10171</b>	Mountings for footguard	2,50

**Total net:**





## Order Form

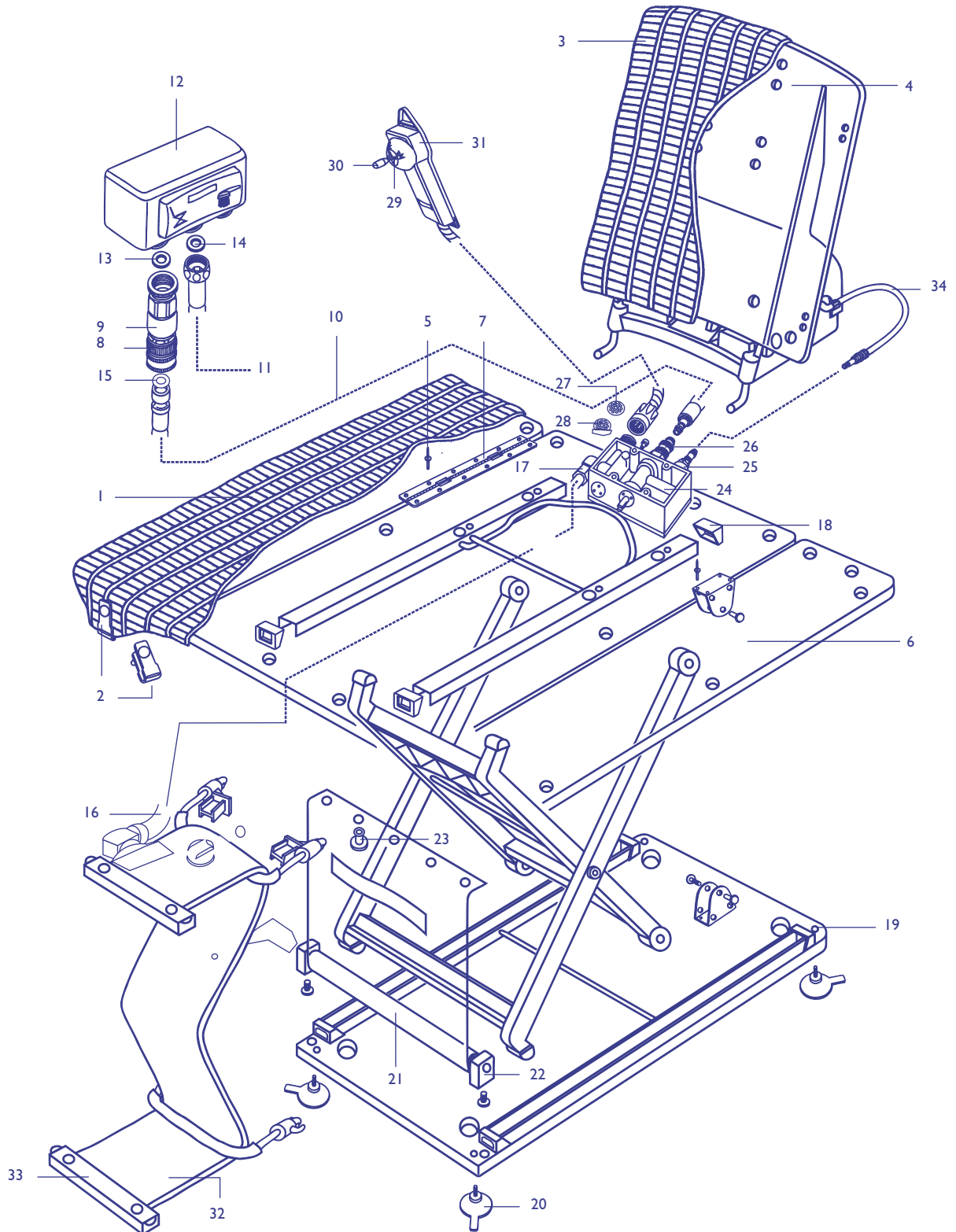
Customer	Telephone	<b>To:</b> <b>AQUATEC GmbH</b> <b>Alemannenstrasse 10</b> <b>88316 Isny</b> <b>Germany</b>  <b>Telefax</b> <b>++49 (0) 75 62/700-69</b>
Delivery address	Telefax	
	Com.	
	Sender	
	Customer number	

Serial number:

Units	No.	Order No.	Description	Unit Price EURO
	23	11034	Clip for footguard	0,25
	24	14149*	Control unit (triple) for stationary backrest (since 1996)	162,00
	24	11456*	Control unit (quintuple) for reclining backrest	202,00
	25	11003	Miniature quick disconnect for reclining backrest	13,25
	26	10112	Quick disconnect 3/8"	9,25
	27	11376	Gasket round	1,75
	28	12608	Gasket flat	1,75
	29	14403	Joystick, without knob, for stationary backrest	5,50
	29	12413	Joystick, without knob, for reclining backrest	5,50
	30	14098	Knob for stationary backrest	2,00
	30	12331	Knob for reclining backrest	1,00
	31	14060	One-function hand control for stationary backrest	220,00
	31	12541	Two-function hand control for reclining backrest	245,00
	32	13942*	Bladder complete, for stationary backrest (since 1996)	155,00
	32	12851*	Bladder complete, for reclining backrest (since 1996)	155,00
	33	11027	Cover for bladder, blue	1,50
	34	12843	Hose for reclining backrest	7,75
			<b>not illustrated</b>	
		13954	Cover seat, special size, blue	69,00
		11136	Cover stationary backrest, blue	35,00

**Total net:**







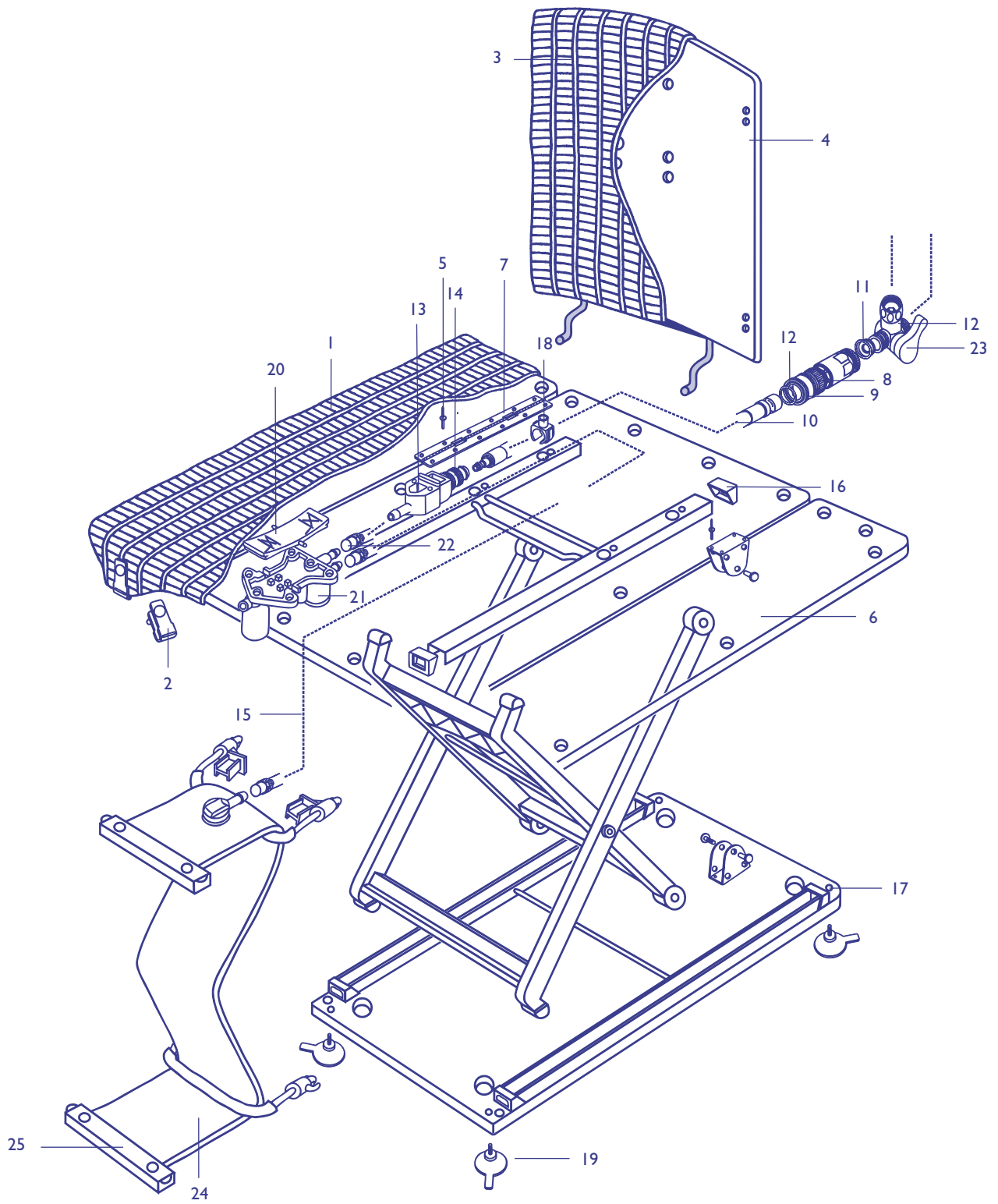
## Order Form

Customer	Telephone	<b>To:</b> <b>AQUATEC GmbH</b> <b>Alemannenstrasse 10</b> <b>88316 Isny</b> <b>Germany</b>  <b>Telefax</b> <b>++49 (0) 75 62/700-69</b>
Delivery address	Telefax	
	Com.	
	Sender	
	Customer number	

Serial number:

Units	No.	Order No.	Description	Unit Price EURO
			<b>not illustrated</b>	
		11161	Backrest stationary, without cover	40,00
		11535	Cover reclining backrest, blue	40,00
		11154	Cover stationary special backrest, blue	54,00
		11148	Cover reclining special backrest, blue	67,00
		11082	Height adapter set for seat lifter, 2 cm	31,75
		11081	Height adapter set for seat lifter, 4 cm	31,75
		11080	Height adapter set for seat lifter, 6 cm	31,75
		10123	Special height adapter for MINOR (seat bath tub)	278,00
		15317	Special height adapter for MINOR 2,3 (2 cm)	243,00
		15318	Special height adapter for MINOR 2,3 (4 cm)	258,00
		15319	Special height adapter for MINOR 2,3 (6 cm)	262,00
		12404	Supply hose, 2 m	25,00
		12405	Supply hose, 3 m	38,00
		11302	Shower hose, 1 m	13,00
		11364	Shower hose, 1,5 m	17,00
		10084	Holder for supply hose with suction cup	4,75
		12704	Extension 1/2"	12,50
		11568	Junction with extension	42,00
		10447	Fixation piece for junction, chromium plated	19,50
		14147	Y-style connection 3/4" with gasket and waterstop	24,50
		12550	Reduction 3/4" x 1/2"	7,00
		10001	Shower hose plug 1/2"	10,00
		11123	Fixation set for switch-over with suction cups, screws, plugs	6,50
		10128	Waterstop 3/4"	14,00
		12101	Installation kit (switch-over, supply hose, shower hose, quick disconnect, suction cups)	246,00
		14440	User manual	0,00

**Total net:**





## Order Form

Customer	Telephone
Delivery address	Telefax
	Com.
	Sender
	Customer number

To:  
**AQUATEC GmbH**  
**Alemannenstrasse 10**  
**88316 Isny**  
**Germany**

Telefax  
**++49 (0) 75 62/700-69**

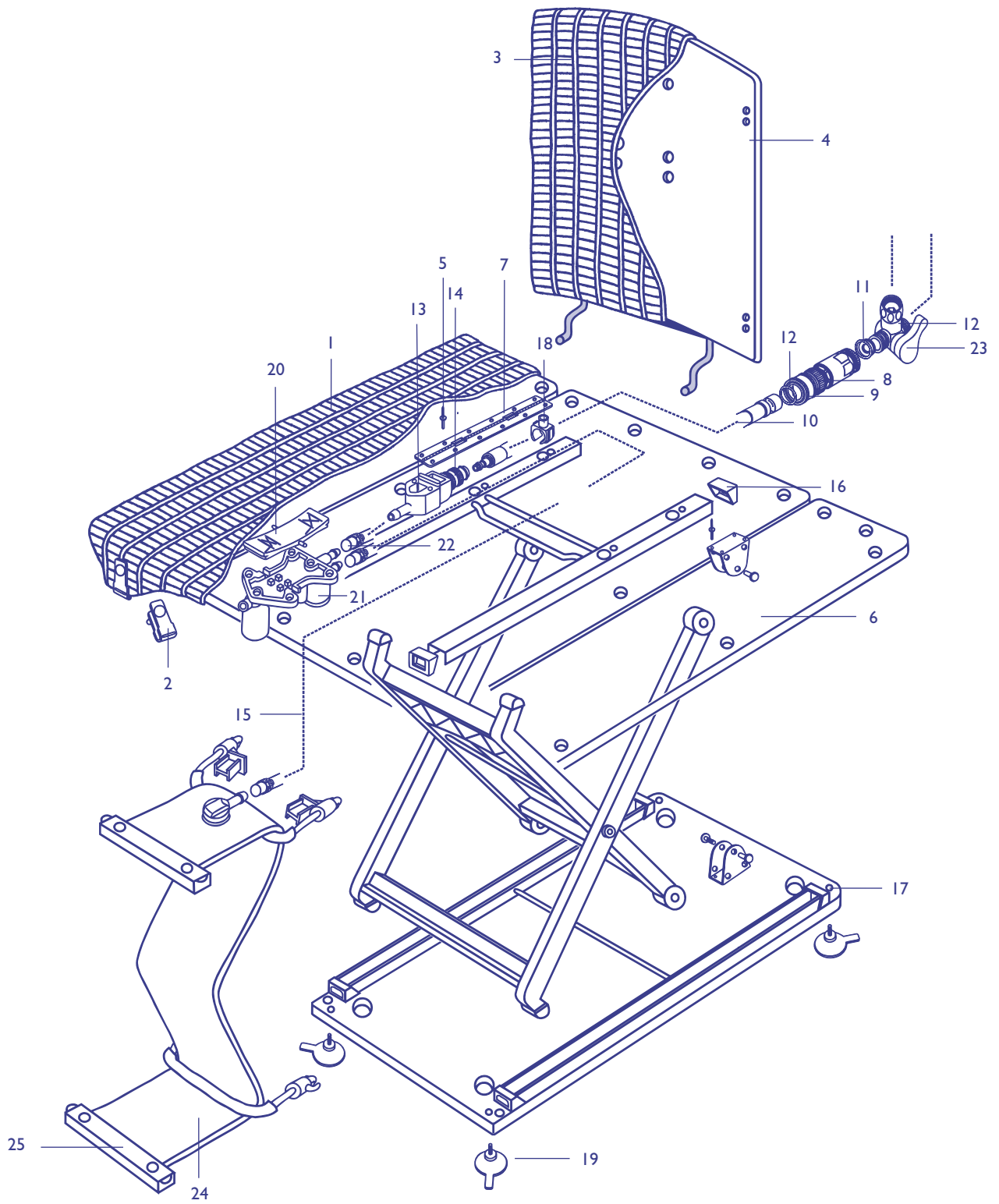
Serial number: 

Units	No.	Order No.	Description	Unit Price EURO
	1	13085	Cover seat, white	38,00
	2	12424	Fixation set for cover, white	12,75
	3	13086	Cover stationary backrest, white	27,00
	1+3	15005	Cover set (seat and backrest), white	60,00
	4	11161	Backrest, stationary, without cover	40,00
	5	14041	Blind rivet 3,2 x 9,5	0,25
	6	10929	Sideflap	63,00
	7	10176	Hinge	8,75
	8	11491	Quick disconnect with securing device, reduction and sieve insert	64,00
	9	11023	Sieve insert, separate (not ill.)	2,00
	10	12404	Supply hose, 2 m	25,00
	10	12405	Supply hose, 3 m	38,00
	11	10860	Fibre gasket	0,25
	12	11661	O-ring, 18 x 2	1,00
	13	14294	Connection, complete	19,50
	14	10112	Quick disconnect 3/8"	9,25
	15	11020	Connection hose, blue, 1 m	6,25
	16	10933	C-rail cover	0,25
	17	11127	Sleeve nut for suction cup	0,50
	18	13128	Hose holder	0,25
	not ill.	10203	Hose holder, twin	0,75
	19	12496	Set of suction cups	13,50
	20	12370	Rocker switch	8,00
	21	12462	Valve	61,50
	22	12251	Clamp for PVC hose	1,75
	23	11569	Diverter without extension	30,00
	24	13222	Bladder complete, grey	155,00
	25	11027	Cover for bladder, blue	1,50

---

**Total net:**


---



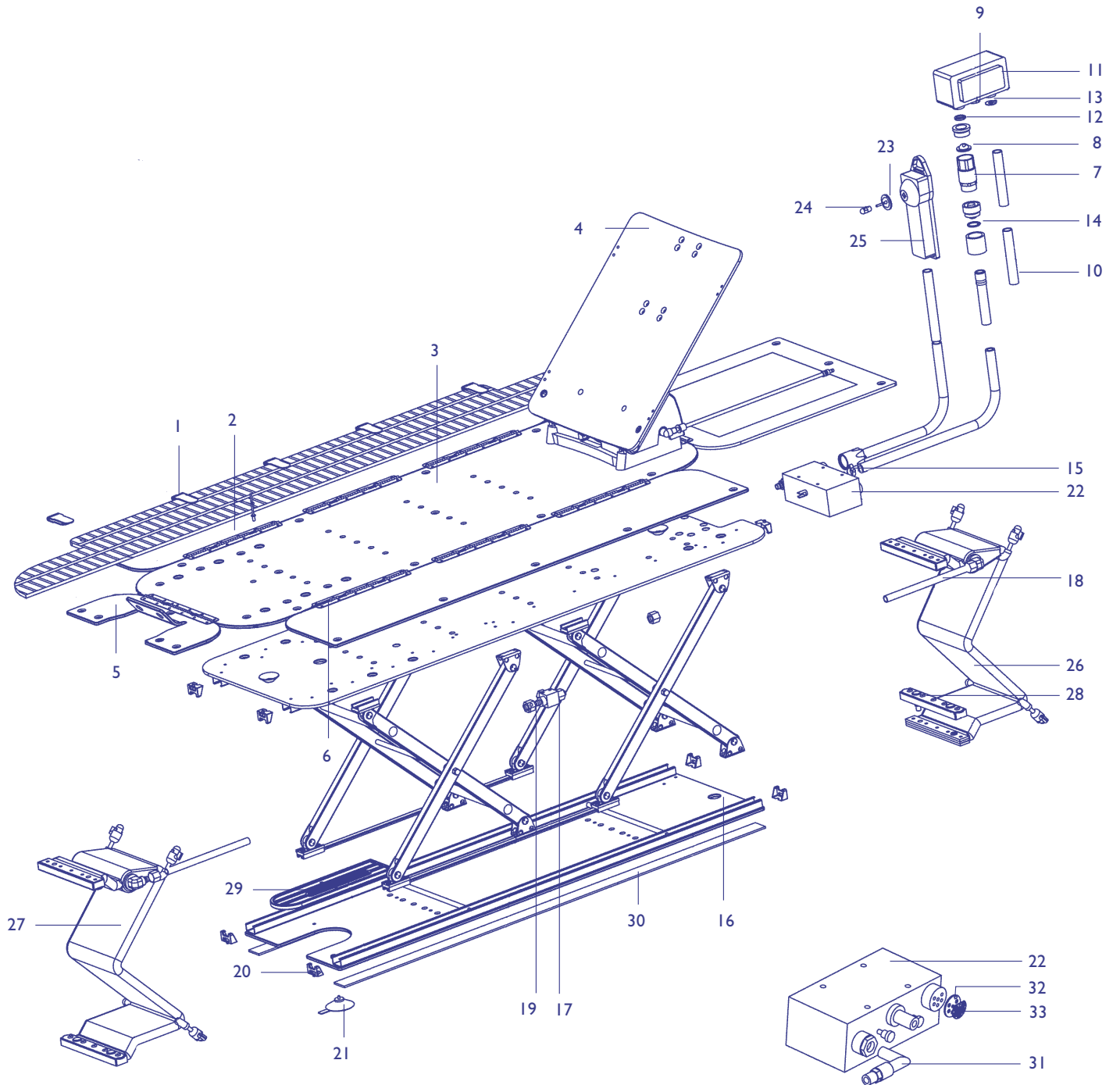


## Order Form

Customer	Telephone	<b>To:</b> <b>AQUATEC GmbH</b> <b>Alemannenstrasse 10</b> <b>88316 Isny</b> <b>Germany</b>  <b>Telefax</b> <b>++49 (0) 75 62/700-69</b>
Delivery address	Telefax	
	Com.	
	Sender	
	Customer number	

Serial number:

Units	No.	Order No.	Description	Unit Price EURO
			<b>not illustrated</b>	
		<b>14666</b>	Recirculation kit, white: cover set (seat and backrest), diverter with extension, supply hose, suction cups, fibre gasket, user manual	105,00
		<b>11082</b>	Height adapter set, 2 cm	31,75
		<b>11081</b>	Height adapter set, 4 cm	31,75
		<b>11080</b>	Height adapter set, 6 cm	31,75
		<b>10084</b>	Holder for supply hose with suction cup	4,75
		<b>12704</b>	Extension 1/2"	12,50
		<b>11568</b>	Junction with extension	42,00
		<b>10447</b>	Fixation piece for junction, chromium plated	19,50
		<b>14147</b>	Y-style connection 3/4" with gasket and waterstop	24,50
		<b>12550</b>	Reduction 3/4" x 1/2"	7,00
		<b>10001</b>	Shower hose plug 1/2"	10,00
		<b>10128</b>	Waterstop 3/4"	14,00
		<b>12101</b>	Installation kit (switch-over, supply hose, shower hose, quick disconnect, suction cups)	246,00
		<b>14440</b>	User manual	0,00
<b>Total net:</b>				





## Order Form

Customer	Telephone
Delivery address	Telefax
	Com.
	Sender
	Customer number

To:  
**AQUATEC GmbH**  
**Alemannenstrasse 10**  
**88316 Isny**  
**Germany**

Telefax  
**++49 (0) 75 62/700-69**

Serial number: 

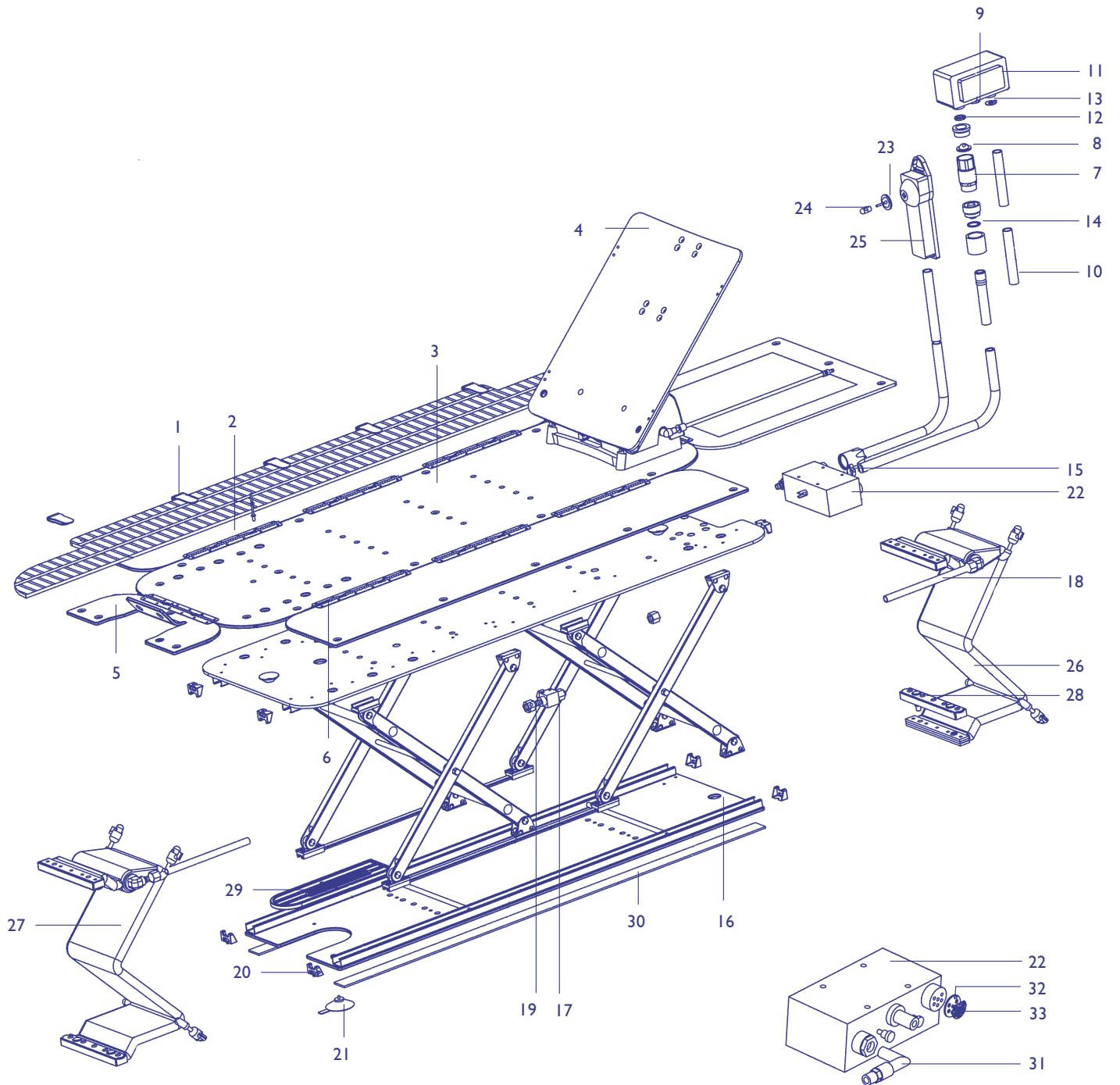
Units	No.	Order No.	Description	Unit Price EURO
	1	11424	Cover clip, white	0,50
	1	11429	Cover clip, blue	0,50
	2	01000*	Sideflap	76,75
	3	01001*	Middle part	549,75
	4	01002*	Head part, built in	39,00
	5	01003*	Foot part, built in	45,50
	6	12134	Hinge	11,25
	7	11491	Quick disconnect with securing device, reduction and sieve insert	64,00
	8	11023	Sieve insert, separate	2,00
	9	01004*	Supply hose, depending on length	depending on length
	10	11302	Shower hose, 1 m	13,00
	10	11364	Shower hose, 1,5 m	17,00
	11	12585	Switch-over	132,00
	12	10860	Fibre gasket	0,25
	13	11385	Gasket 19 x 8 x 1, rubber	0,25
	14	11661	O-ring 18 x 2	1,00
	15	11559	Clamp	3,00
	16	11553	Nut M4	0,50
	17	10835	Distributor piece	5,50
	18	11020	Connection hose, blue	6,25/run. meter
	19	10356	Aluminium nuts	1,00
	20	11507	C-rail cover	0,50
	21	14204	Set of suction cups	13,50
	22	14134	Control unit (triple), for stationary backrest (since 1996)	184,00
	22	11838	Control unit (quintuple), for reclining backrest	240,00
	23	14403	Joystick, without knob, for stationary backrest	5,50
	23	12413	Joystick, without knob, for reclining backrest	5,50
	24	14098	Knob for stationary backrest	2,00
	24	12331	Knob for reclining backrest	1,00

---

**Total net:**


---







## Order Form

Customer	Telephone
Delivery address	Telefax
	Com.
	Sender
	Customer number

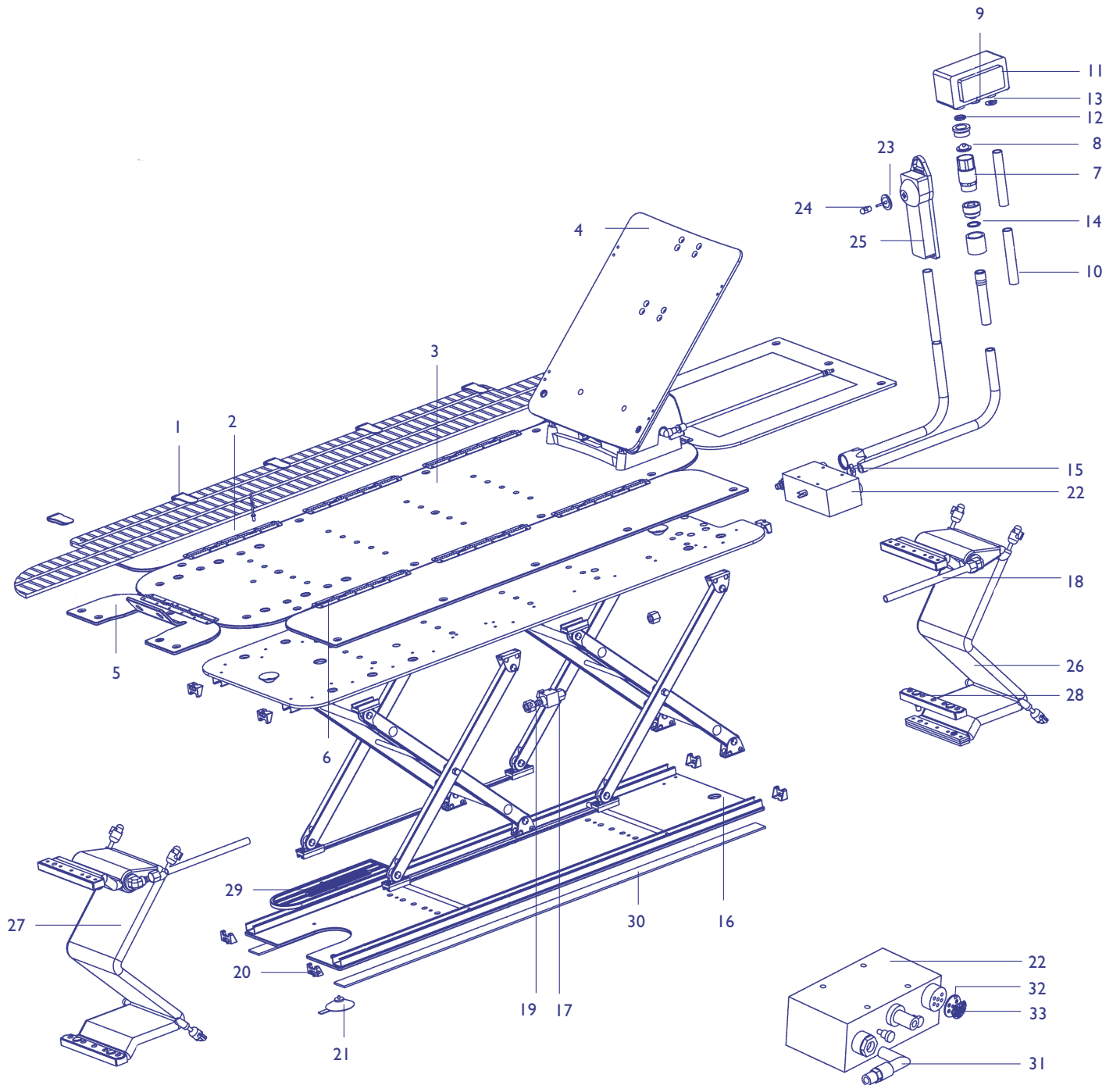
To:  
**AQUATEC GmbH**  
**Alemannenstrasse 10**  
**88316 Isny**  
**Germany**

Telefax  
**++49 (0) 75 62/700-69**

Serial number:

Units	No.	Order No.	Description	Unit Price EURO
	25	<b>14060</b>	One-function hand control for stationary backrest	220,00
	25	<b>12541</b>	Two-function hand control for reclining backrest	245,00
	26	<b>01005*</b>	Bladder, head part	155,00
	27	<b>01006*</b>	Bladder, foot part	155,00
	28	<b>11027</b>	Cover for bladder, blue	1,50
	29	<b>10845</b>	Adjustable plate	5,50
	30	<b>10142</b>	Edge protection strip	5,50/run. meter
	31	<b>11003</b>	Miniature quick disconnect for reclining backrest	13,25
	32	<b>11376</b>	Gasket, round	1,75
	33	<b>12608</b>	Gasket, flat	1,75
			<b>not illustrated</b>	
		<b>11167*</b>	Cover, white	99,00
		<b>11166*</b>	Cover, blue	99,00
		<b>11137</b>	Cover stationary backrest, white	35,00
		<b>11136</b>	Cover stationary backrest, blue	35,00
		<b>11537</b>	Cover reclining backrest, white	40,00
		<b>11535</b>	Cover reclining backrest, blue	40,00
		<b>11161</b>	Backrest stationary, without cover, distance between the holes 20,5 cm	40,00
		<b>12263</b>	Backrest stationary, without cover, distance between the holes 25,5 cm	40,50
		<b>11517</b>	Backrest reclining, without cover, distance between the holes 20,5 cm	173,75
		<b>12742</b>	Backrest reclining, without cover, distance between the holes 25,5 cm	173,75
		<b>11154</b>	Cover stationary special backrest, blue	54,00
		<b>11155</b>	Cover stationary special backrest, white	54,00
		<b>11148</b>	Cover reclining special backrest, blue	67,00
		<b>11149</b>	Cover reclining special backrest, white	67,00
		<b>11214</b>	Cover head support, blue	47,00
		<b>11215</b>	Cover head support, white	47,00

**Total net:**



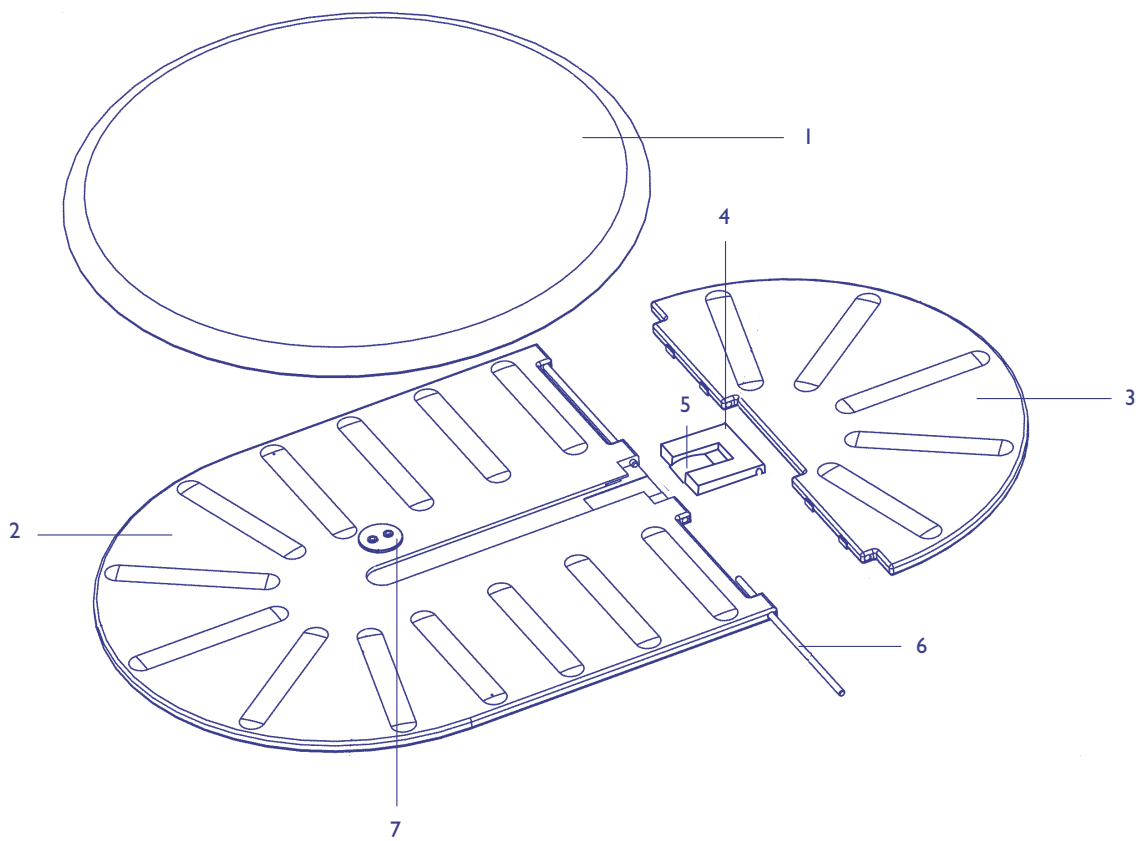


## Order Form

Customer	Telephone	<b>To:</b> <b>AQUATEC GmbH</b> <b>Alemannenstrasse 10</b> <b>88316 Isny</b> <b>Germany</b>  <b>Telefax</b> <b>++49 (0) 75 62/700-69</b>
Delivery address	Telefax	
	Com.	
	Sender	
	Customer number	

Serial number:

Units	No.	Order No.	Description	Unit Price EURO
			<b>not illustrated</b>	
		11220	Cover foot support, blue	
		11221	Cover foot support, white	
		11202	Cover pillow, blue	
		11203	Cover pillow, white	
		11208	Cover special pillow, blue	
		11209	Cover special pillow, white	
		13975	Fixation set for cover, white	
		13974	Fixation set for cover, blue	
		14134	Control unit (triple), for stationary backrest	
		11551	Adhesive tape and cleaning cloth for switch-over	
		15317	Special height adapters, 2 cm (6 pcs)	
		15318	Special height adapters, 4 cm (6 pcs)	
		15319	Special height adapters, 6 cm (6 pcs)	
		10084	Holder for supply hose with suction cup	
		12704	Extension 1/2"	
		11568	Junction with extension	
		10447	Fixation piece for junction, chromium plated	
		14147	Y-style connection 3/4" with gasket and waterstop	
		12550	Reduction 3/4" x 1/2"	
		10001	Shower hose plug 1/2"	
		11123	Fixation set for switch-over with suction cups, screws, plugs	
		10128	Waterstop 3/4"	
		12101	Installation kit (switch-over, supply hose, shower hose, quick disconnect, suction cups)	
		14440	User manual	





## Order Form

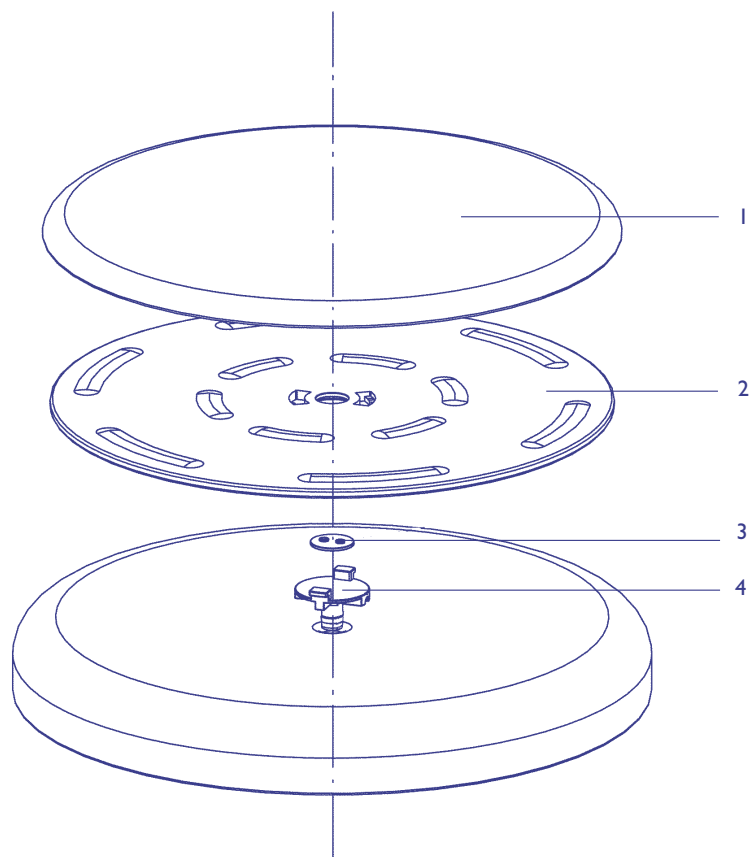
Customer	Telephone
Delivery address	Telefax
	Com.
	Sender
	Customer number

To:  
**AQUATEC GmbH**  
 Alemannenstrasse 10  
 88316 Isny  
 Germany

Telefax  
 ++49 (0) 75 62/700-69

Serial number:

Units	No.	Order No.	Description
	1	<b>15642</b>	Turntable with foam cover, blue
	1	<b>15306</b>	Turntable with foam cover, grey
	2	<b>15308</b>	Sliding plate
	3	<b>15307</b>	Radius flap
	4	<b>15305</b>	Spring holder (until 2001-10)
	4	<b>16090</b>	Spring holder (since 2001-11)
	5	<b>15303</b>	Spring
	6	<b>15304</b>	Hinge pin
	7	<b>15302</b>	Guiding disc
			<b>not illustrated</b>
		<b>15632</b>	User manual





## Order Form

Customer	Telephone
Delivery address	Telefax
	Com.
	Sender
	Customer number

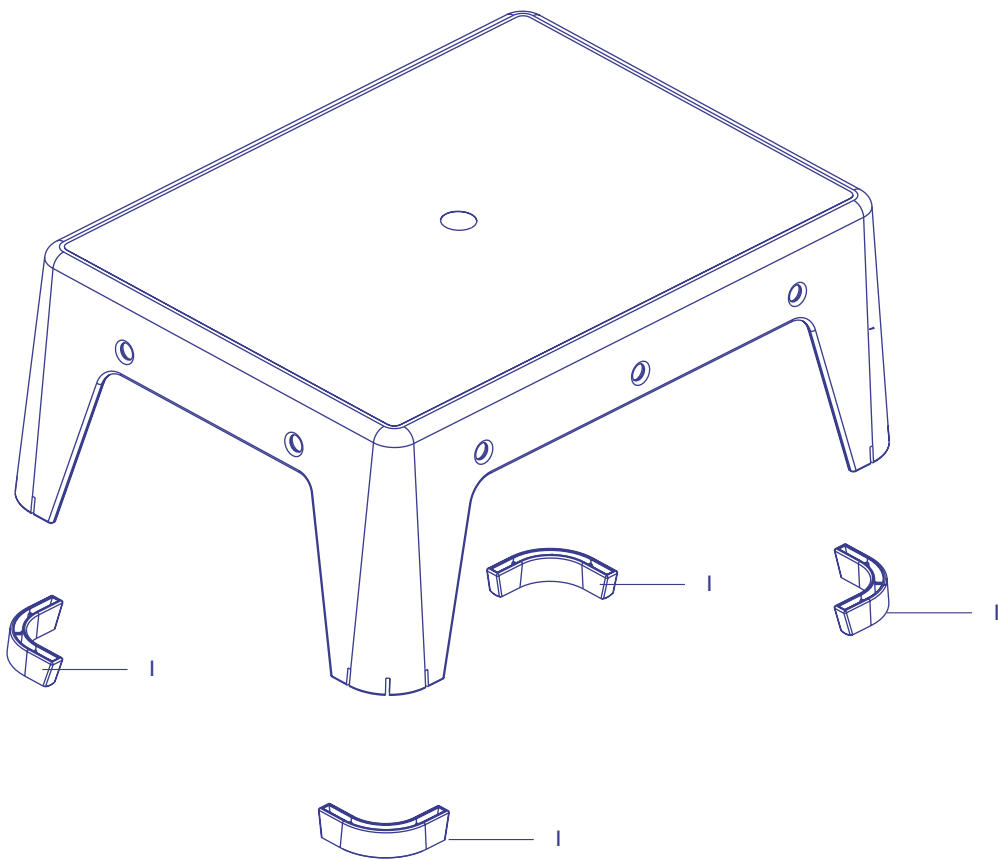
To:  
**AQUATEC GmbH**  
 Alemannenstrasse 10  
 88316 Isny  
 Germany

Telefax  
 ++49 (0) 75 62/700-69

Serial number:

Units	No.	Order No.	Description
	1	<b>15642</b>	Turntable with foam cover, blue
	1	<b>15306</b>	Turntable with foam cover, grey
	2	<b>15325</b>	Base plate
	3	<b>15302</b>	Guiding disc
	4	<b>15326</b>	Adaper (accessory for <i>DISK ON DOT</i> )
			<b>not illustrated</b>
		<b>15633</b>	User manual







## Order Form

Customer	Telephone
Delivery address	Telefax
	Com.
	Sender
	Customer number

To:  
**AQUATEC GmbH**  
 Alemannenstrasse 10  
 88316 Isny  
 Germany

Telefax  
 ++49 (0) 75 62/700-69

Serial number:

Units	No.	Order No.	Description
	1	<b>13163</b>	Foot (1 piece)
			<b>not illustrated</b>
		<b>13933</b>	Cover <i>STEP</i> , white
		<b>13160</b>	Cover <i>STEP</i> , blue
		<b>15634</b>	User manual



AQUATEC GmbH  
Alemannenstrasse 10  
88316 Isny  
Germany  
Telephone: ++49 (0) 75 62 / 700-0  
Fax: ++49 (0) 75 62 / 700-69  
Internet: [www.aquatec.de](http://www.aquatec.de)  
e-mail: [info@aquatec.de](mailto:info@aquatec.de)