



Yes, you can.®

Invacare® **Action**⁴®



July 2006.

Spare parts catalogue



Warning

For any order of spare parts for Action 4 models, the following information is required :

Type of chair
Serial number
Part number
Part description

Note : Exploded view drawings and code numbers are not contractual and subject to modification, in relation to our continuous product improvement policy to meet end user's needs.

General Contents

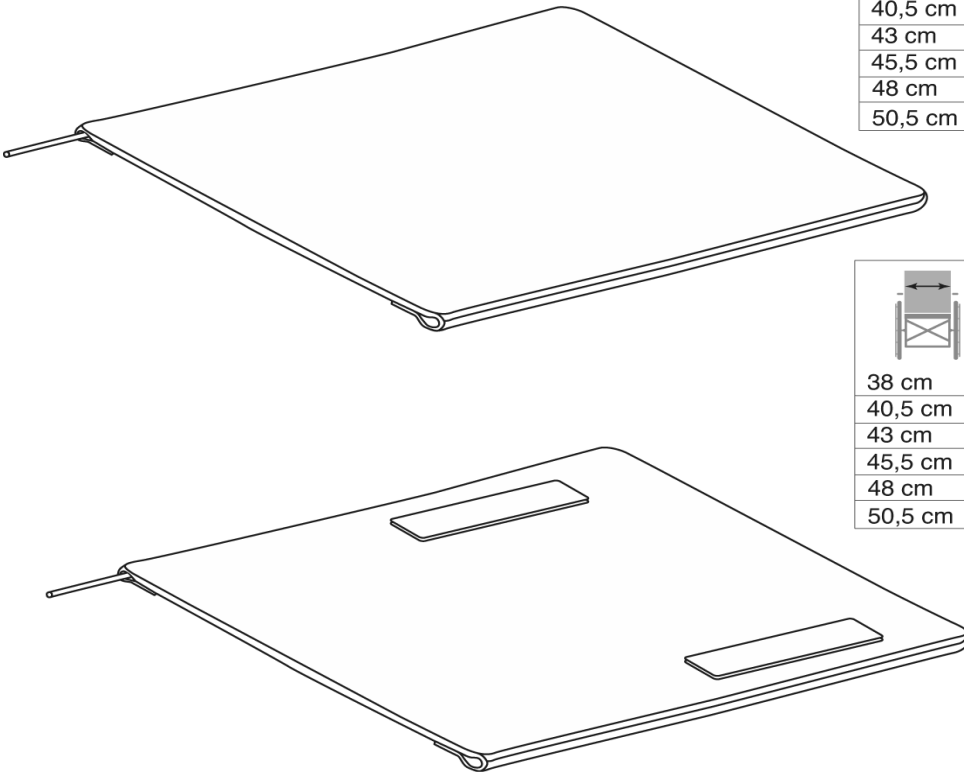
A Section :	Seats	p. 3
B Section :	Folding systems, frames	p. 35
C Section:	Front casters	p. 39
D Section :	Rear wheels	p. 43
E Section :	Brakes	p. 52
F Section :	Propulsion options	p. 57
G Section :	Seats options	p. 66
H Section :	Safety options	p. 72
I Section :	Other options	p. 76

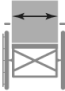
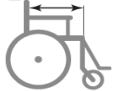


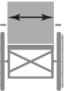
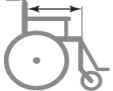
SECTION A

Seat upholstery	p. 4
Adjustable depth seat upholstery	p. 5
Padded seats upholstery	p. 6
Comfort seat upholstery	p. 7
Fixed backrest	p. 8
Additional push handle	p. 9
Folding backrest	p. 10
Recliner backrest 0° to 30°	p. 11
Recliner backrest 0° to 30°, gaz spring	p. 12
Recliner backrest 0° to 30° gaz spring with adjustable height push handle,	p. 13
Backrest upholstery	p. 14
Padded backrest upholstery	p. 15
REA backrest upholstery	p. 16
Tension adjustable backrest upholstery	p. 17
Comfort headrest	p. 18
80° standard footrest support	p. 19
Footrest	p. 20
Angle adjustable footrest	p. 21
Angle & depth adjustable footrest	p. 22
Calf pad	p. 23
Adjustable legrest	p. 24
Assembly legrest, fixed footrest	p. 25
Assembly legrest, adjustable footrest	p. 26
Plaster legrest complete	p. 27
Height adjustable armrest RIO	p. 28
Swing away & detachable armrest 2	p. 29
Height adjustable armrest 4	p. 30
Height adjustable Monobloc armrest 5	p. 31
Hemi armpad Motion simple adjustable	p. 32
Hemi armpad Motion double adjustable	p. 33
Hemi Dartex armpad multiposiiton	p. 34





	 40 cm	 45 cm
38 cm	1	7
40,5 cm	2	8
43 cm	3	9
45,5 cm	4	10
48 cm	5	11
50,5 cm	6	12

	 40 cm	 45 cm
38 cm	13	19
40,5 cm	14	20
43 cm	15	21
45,5 cm	16	22
48 cm	17	23
50,5 cm	18	24

REP.	CODE	DESCRIPTION	VE000062
1	1428840	BASIC SEAT UPHOLSTERY W 38CM x D 40CM	
2	1428841	BASIC SEAT UPHOLSTERY W 40,5CM x D 40CM	
3	1428842	BASIC SEAT UPHOLSTERY W 43CM x D 40CM	
4	1428843	BASIC SEAT UPHOLSTERY W 45,5CM x D 40CM	
5	1428844	BASIC SEAT UPHOLSTERY W 48CM x D 40CM	
6	1428845	BASIC SEAT UPHOLSTERY W 50,5CM x D 40CM	
7	1428846	BASIC SEAT UPHOLSTERY W 38CM x D 45CM	
8	1428847	BASIC SEAT UPHOLSTERY W 40,5CM x D 45CM	
9	1428848	BASIC SEAT UPHOLSTERY W 43CM x D 45CM	
10	1428849	BASIC SEAT UPHOLSTERY W 45,5CM x D 45CM	
11	1428850	BASIC SEAT UPHOLSTERY W 48CM x D 45CM	
12	1428851	BASIC SEAT UPHOLSTERY W 50,5CM x D 45CM	
13	1428852	STANDARD SEAT UPHOLSTERY W 38CM x D 40CM	
14	1428853	STANDARD SEAT UPHOLSTERY W 40,5CM x D 40CM	
15	1428854	STANDARD SEAT UPHOLSTERY W 43CM x D 40CM	
16	1428855	STANDARD SEAT UPHOLSTERY W 45,5CM x D 40CM	
17	1428856	STANDARD SEAT UPHOLSTERY W 48CM x D 40CM	
18	1428857	STANDARD SEAT UPHOLSTERY W 50,5CM x D 40CM	
19	1428858	STANDARD SEAT UPHOLSTERY W 38CM x D 45CM	
20	1428859	STANDARD SEAT UPHOLSTERY W 40,5CM x D 45CM	
21	1428860	STANDARD SEAT UPHOLSTERY W 43CM x D 45CM	
22	1428861	STANDARD SEAT UPHOLSTERY W 45,5CM x D 45CM	
23	1428862	STANDARD SEAT UPHOLSTERY W 48CM x D 45CM	
24	1428863	STANDARD SEAT UPHOLSTERY W 50,5CM x D 45CM	



Invacare®
Action4®

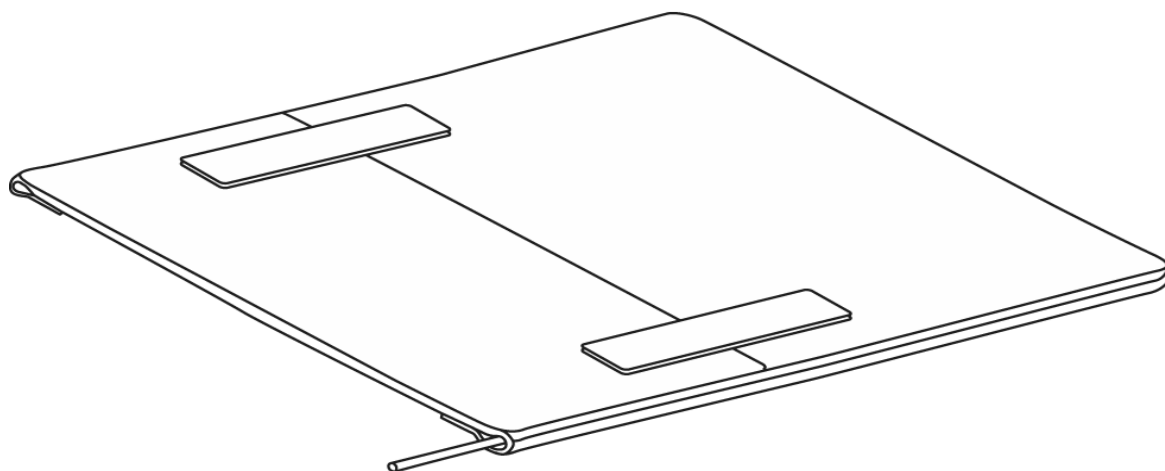
Seat Upholstery

A

07 / 06

4

38 cm	1
40,5 cm	2
43 cm	3
45,5 cm	4
48 cm	5
50,5 cm	6
55,5 cm	7
60,5 cm	8



REP.	CODE	DESCRIPTION	VE000063
1	1437580	ADJUSTABLE DEPTH SEAT UPHOLSTERY W 38CM	
2	1437581	ADJUSTABLE DEPTH SEAT UPHOLSTERY W 40,5CM	
3	1437582	ADJUSTABLE DEPTH SEAT UPHOLSTERY W 43CM	
4	1437583	ADJUSTABLE DEPTH SEAT UPHOLSTERY W 45,5CM	
5	1437584	ADJUSTABLE DEPTH SEAT UPHOLSTERY W 48CM	
6	1437585	ADJUSTABLE DEPTH SEAT UPHOLSTERY W 50,5CM	
7	1496089	ADJUSTABLE DEPTH SEAT UPHOLSTERY W 55,5 CM	
8	1496090	ADJUSTABLE DEPTH SEAT UPHOLSTERY W 60,5CM	



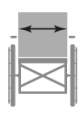

Invacare®
Action4®

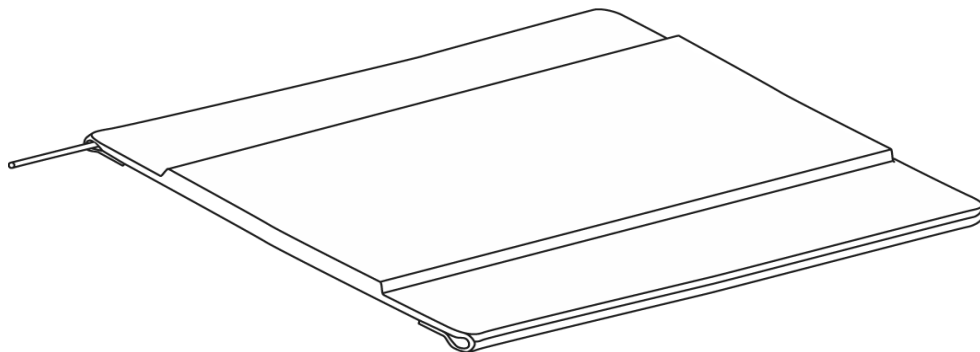
Adjustable Depth Seat Upholstery

A

07 / 06

5

	40 cm		45 cm
38 cm	1		8
40,5 cm	2		9
43 cm	3		10
45,5 cm	4		11
48 cm	5		12
50,5 cm	6		13
55,5 cm	7		14
60,5 cm	-		15



REP.	CODE	DESCRIPTION	VE000060
1	1428864	PADDED SEAT UPHOLSTERY W 38CM x D 40CM	
2	1428865	PADDED SEAT UPHOLSTERY W 40,5CM x D 40CM	
3	1428866	PADDED SEAT UPHOLSTERY W 43CM x D 40CM	
4	1428867	PADDED SEAT UPHOLSTERY W 45,5CM x D 40CM	
5	1428868	PADDED SEAT UPHOLSTERY W 48CM x D 40CM	
6	1428869	PADDED SEAT UPHOLSTERY W 50,5CM x D 40CM	
7	1488394	REINFORCED PADDED SEAT UPHOLSTERY W 55,5CM x D 40CM	
8	1428870	PADDED SEAT UPHOLSTERY W 38CM x D 45CM	
9	1428871	PADDED SEAT UPHOLSTERY W 40,5CM x D 45CM	
10	1428872	PADDED SEAT UPHOLSTERY W 43CM x D 45CM	
11	1428873	PADDED SEAT UPHOLSTERY W 45,5CM x D 45CM	
12	1428874	PADDED SEAT UPHOLSTERY W 48CM x D 45CM	
13	1428875	PADDED SEAT UPHOLSTERY W 50,5CM x D 45CM	
14	1488396	REINFORCED PADDED SEAT UPHOLSTERY W 55,5CM x D 45CM	
15	1488397	REINFORCED PADDED SEAT UPHOLSTERY W 60,5CM x D 45CM	



Invacare®
Action4®

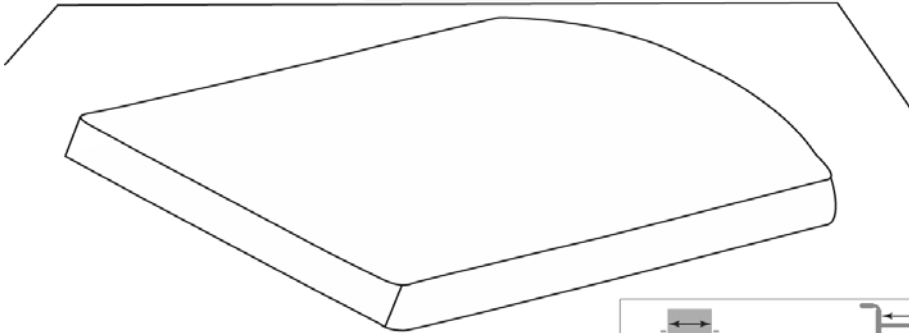
Padded Seats Upholstery

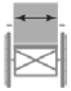

A

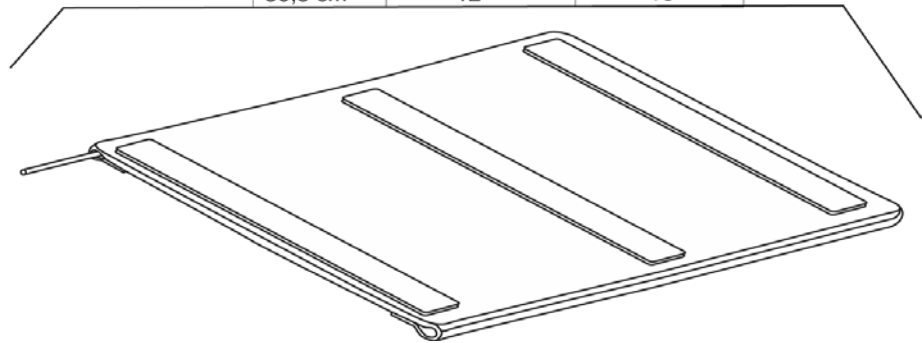
07 / 06

6

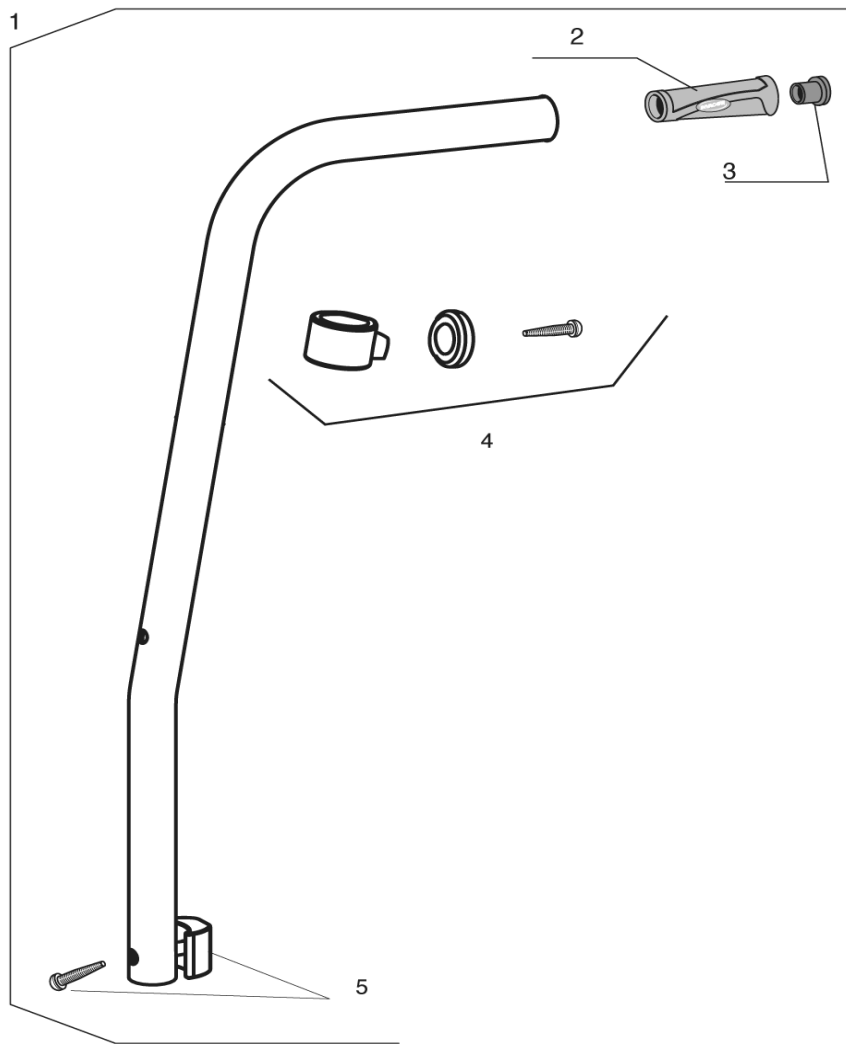
38 cm	1
40,5 cm	2
43 cm	3
45,5 cm	4
48 cm	5
50,5 cm	6



	40 cm		45 cm
38 cm	7		13
40,5 cm	8		14
43 cm	9		15
45,5 cm	10		16
48 cm	11		17
50,5 cm	12		18



REP.	CODE	DESCRIPTION	VE000064
1	1450115	COMFORT SEAT UPHOLSTERY W 38CM x D 40CM	
2	1450116	COMFORT SEAT UPHOLSTERY W 40,5CM x D 40CM	
3	1450117	COMFORT SEAT UPHOLSTERY W 43CM x D 40CM	
4	1450118	COMFORT SEAT UPHOLSTERY W 45,5CM x D 40CM	
5	1450119	COMFORT SEAT UPHOLSTERY W 48CM x D 40CM	
6	1450120	COMFORT SEAT UPHOLSTERY W 50,5CM x D 40CM	
7	1450067	COMFORT SEAT UPHOLSTERY W 38CM x D 45CM	
8	1450068	COMFORT SEAT UPHOLSTERY W 40,5CM x D 45CM	
9	1450069	COMFORT SEAT UPHOLSTERY W 43CM x D 45CM	
10	1450070	COMFORT SEAT UPHOLSTERY W 45,5CM x D 45CM	
11	1450071	COMFORT SEAT UPHOLSTERY W 48CM x D 45CM	
12	1450072	COMFORT SEAT UPHOLSTERY W 50,5CM x D 45CM	
13	1450123	MISTRAL 2 LAYER CUSHION W 38CM x D 45CM	
14	1440918	MISTRAL 2 LAYER CUSHION W 40,5CM x D 45CM	
15	1440919	MISTRAL 2 LAYER CUSHION W 43CM x D 45CM	
16	1440920	MISTRAL 2 LAYER CUSHION W 45,5CM x D 45CM	
17	1450124	MISTRAL 2 LAYER CUSHION W 48CM x D 45CM	
18	1440921	MISTRAL 2 LAYER CUSHION W 50,5CM x D 45CM	



REP.	CODE	DESCRIPTION	VE000257
1	1449802	A4 BACKREST 7°/38CM TO 46 CM CANE KIT	
2	1425473	INVACARE PUSH HANDLE	
3	1418112	REAR CROSS BRACE CAP	
4	1451816	A4 FIXED BACKREST UPHOLSTERY SUPPORT KIT	
5	1449803	A4 FIXED BACKREST FIXATION KIT	



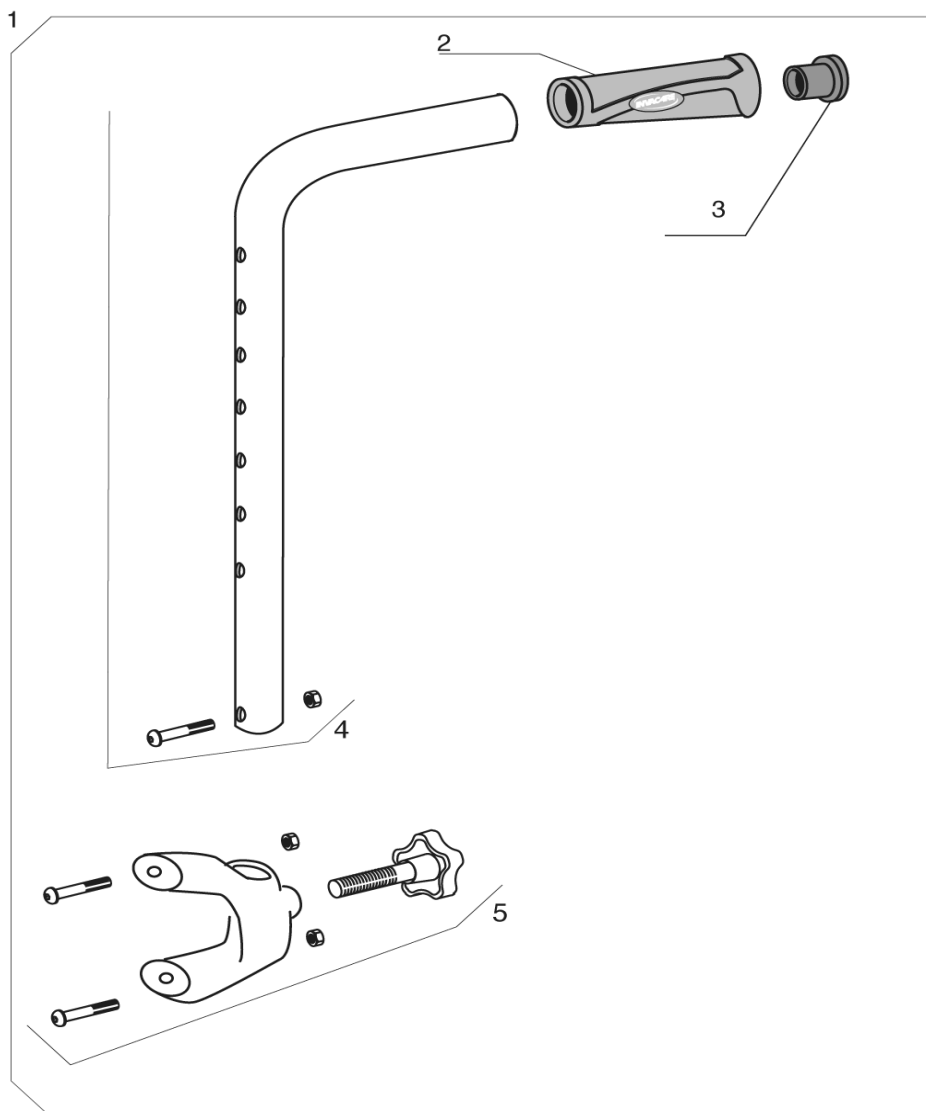
Invacare®
Action4®

Fixed Backrest Height, Push Handle

A

07 / 06

8



REP.	CODE	DESCRIPTION	VE000256
1	1449804	ADDITIONAL PUSH HANDLE SET	
2	1425473	INVACARE PUSH HANDLE	
3	1418112	REAR CROSS BRACE CAP	
4	1450574	PUSH HANDLE CANE KIT	
5	1451818	FIXED BACKREST FIXATION KIT	



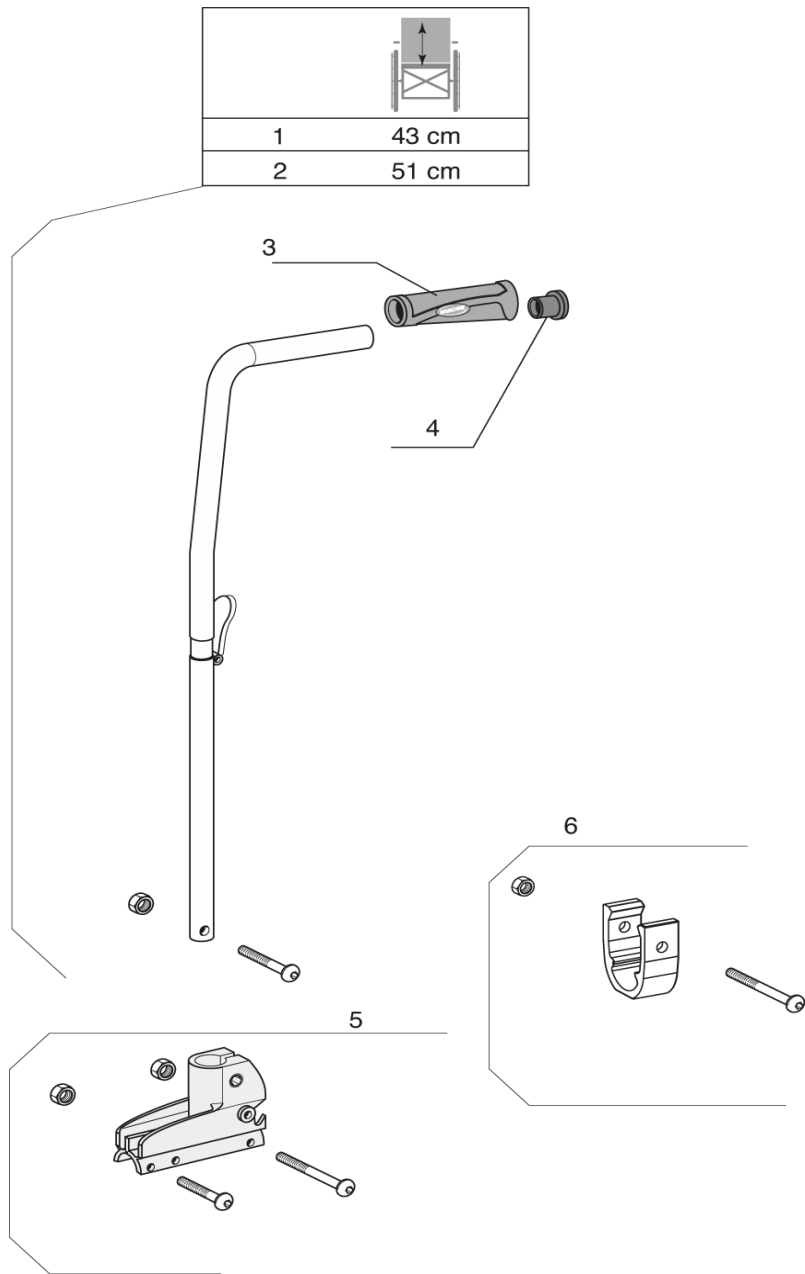
Invacare®
Action4®

Additional Push Handle

A

07 / 06

9



REP.	CODE	DESCRIPTION	VE000066
1	1434492	FOLDING BACKREST CANE 43 CM	
2	1430852	FOLDING BACKREST CANE 51 CM	
3	1425473	INVACARE PUSH HANDLE	
4	1418112	REAR CROSSBRACE CAP	
5	1430848	FIXED BACKREST SUPPORT KIT	
6	1448954	A4 RECLINER ATTACHMENT KIT	

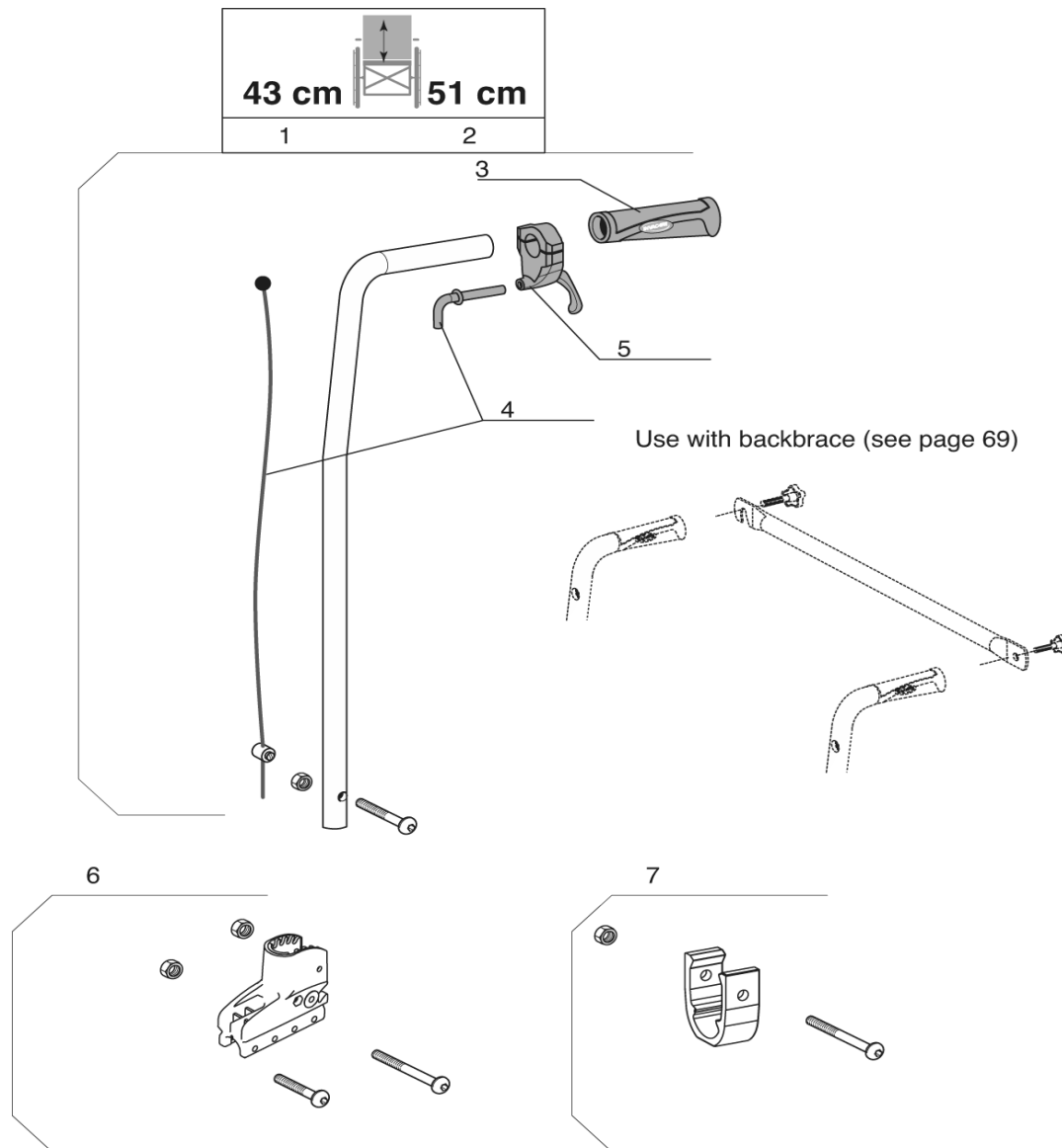


Invacare®
Action4®

Folding Backrest



07 / 06
10



REP.	CODE	DESCRIPTION	VE000043
1	1434491	RECLINING BACKREST CANE 43 CM COMPLETE	
2	1430849	RECLINING BACKREST CANE 51 CM COMPLETE	
3	1425473	INVACARE PUSH HANDLE	
4	1433747	RECLINER TRIGGER	
5	1430851	MECHANICAL RECLINER CABLE KIT	
6	1430850	RECLINER BACKREST SUPPORT KIT	
7	1448954	A4 RECLINER ATTACHMENT KIT	



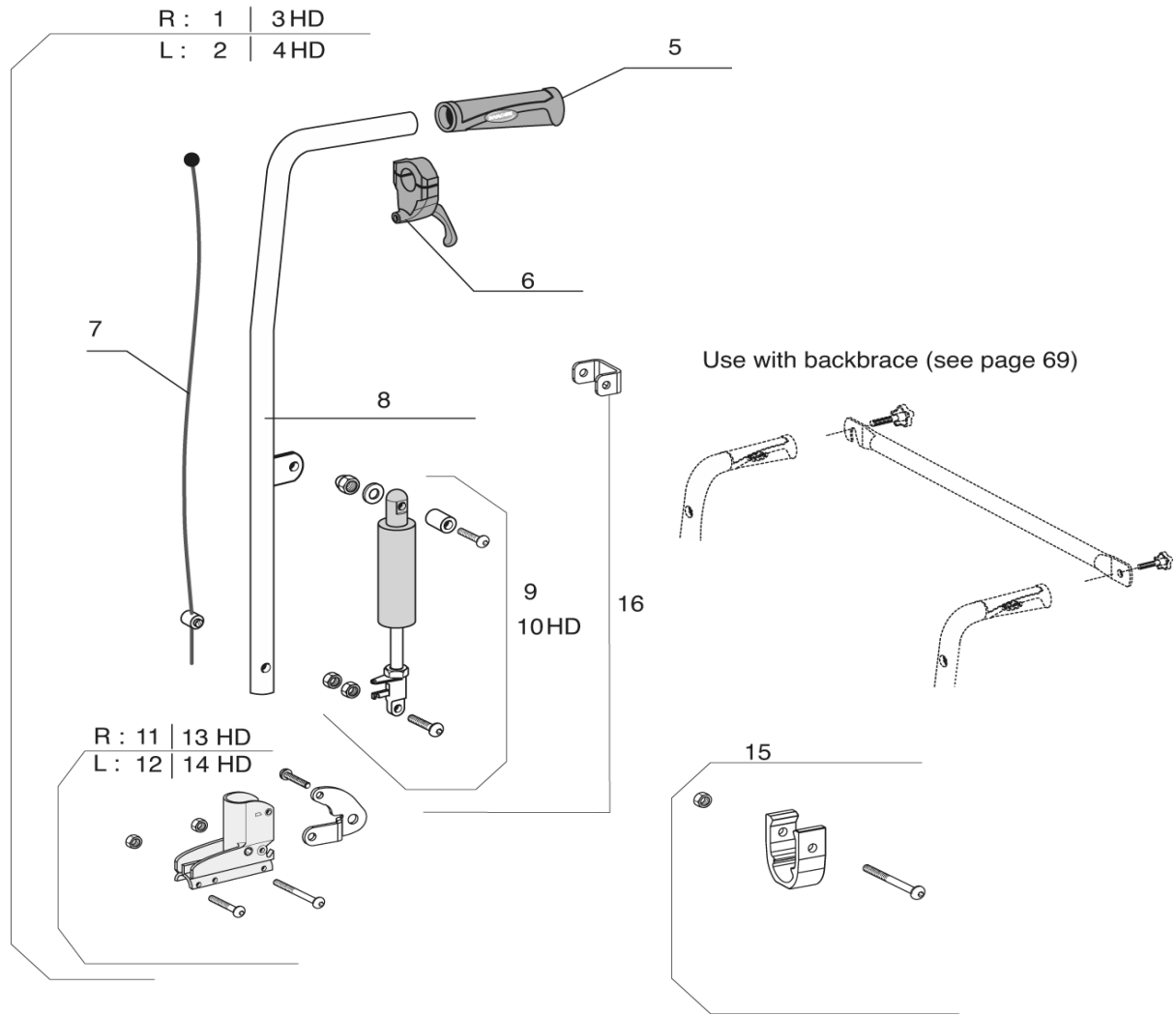
Invacare®
Action4®

Recliner Backrest 0° To 30°, Racket

A

07 / 06

11



REP.	CODE	DESCRIPTION	VE000044
1	1442538	RECLINING RH KIT GAS STRUT BACKREST 43 CM	
2	1442539	RECLINING LH KIT GAS STRUT BACKREST 43 CM	
3	1493415	RECLINING RH KIT GAS STRUT BACKREST 43 CM HD	
4	1493416	RECLINING LH KIT GAS STRUT BACKREST 43 CM HD	
5	1425473	INVACARE PUSH HANDLE	
6	1433747	RECLINER TRIGGER	
7	1440937	RECLINER GAS CABLE	
8	1484055-0699	RECLINER GAS TUBE 43 CM	
9	1433564	GAS STRUT KIT STANDARD BACKREST	
10	1451336	GAS STRUT KIT STANDARD BACKREST HD	
11	1442507	RH RECLINER GAS BACKREST SUPPORT KIT	
12	1442513	LH RECLINER GAS BACKREST SUPPORT KIT	
13	1493417	RH RECLINER GAS BACKREST SUPPORT KIT HD	
14	1493418	LH RECLINER GAS BACKREST SUPPORT KIT HD	
15	1448954	A4 RECLINER ATTACHMENT KIT	
16	1451336	RECLINER GAS REINFORCED SUPPORT KIT	



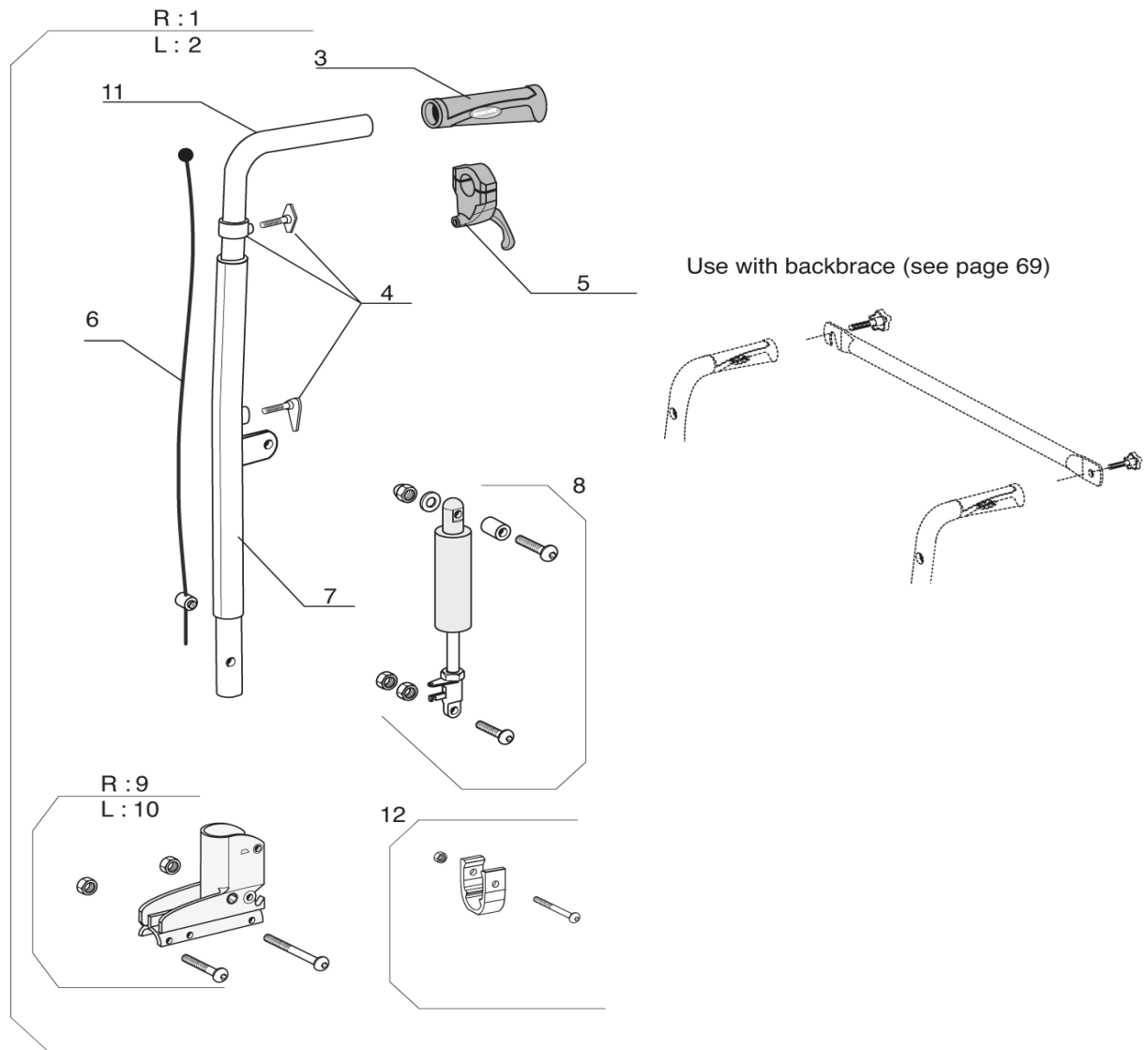
Invacare®
Action4®

Recliner Backrest 0° To 30° Gas Spring

A

07 / 06

12



REP.	CODE	DESCRIPTION	VE000045
1	1451703	RECLINING RH KIT GAS STRUT ADJUSTABLE BACREST	
2	1451704	RECLINING LH KIT GAS STRUT ADJUSTABLE BACREST	
3	1425473	INVACARE PUSH HANDLE	
4	1451819	ADJUSTABLE BACKREST PUSH HANDLE KIT	
5	1433747	RECLINER TRIGGER	
6	1451765	ADJUSTABLE RECLINER GAS CABLE KIT	
7	1448985-0601	ADJUSTABLE RECLINER CANE A4	
8	1433564	GAS STRUT KIT STANDARD BACKREST	
9	1442507	RH RECLINER GAS BACKREST SUPPORT KIT	
10	1442513	LH RECLINER GAS BACKREST SUPPORT KIT	
11	1448986-0010	ADJUSTABLE PUSH HANDLE RECLINER GAS A4	
12	1448954	A4 RECLINER ATTACHMENT KIT	



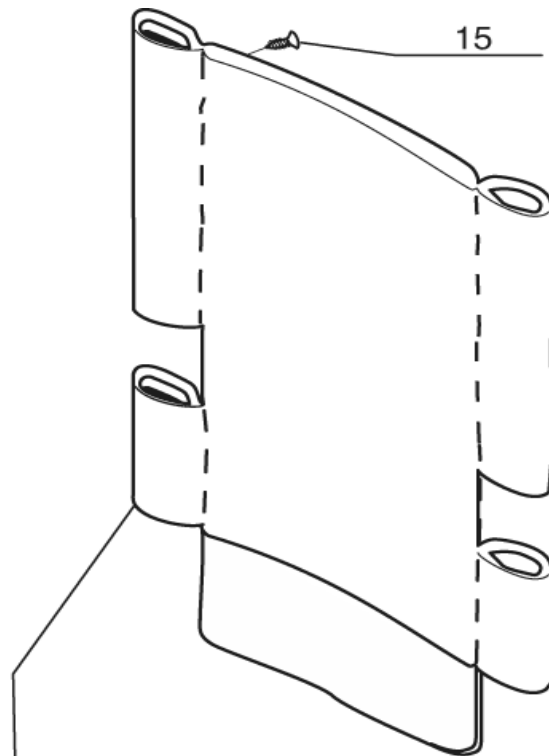
Invacare®
Action4®

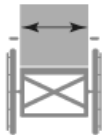
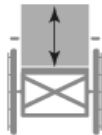
Recliner Backrest 0° To 30° Gas Spring
With Adjustable Height Push Handle

A

07 / 06

13



	43 cm		51 cm
38 cm	1	9	
40,5 cm	2	10	
43 cm	3	11	
45,5 cm	4	12	
48 cm	5	13	
50,5 cm	6	14	
55,5 cm	7		
60,5 cm	8		

REP.	CODE	DESCRIPTION	VE000046
1	1430291	HOLLOWED BACK UPHOLSTERY W 38CM x H 43CM REC. GAS ADJ.	
2	1430286	HOLLOWED BACK UPHOLSTERY W 40,5CM x H 43CM REC. GAS ADJ.	
3	1430287	HOLLOWED BACK UPHOLSTERY W 43CM x H 43CM REC. GAS ADJ.	
4	1430288	HOLLOWED BACK UPHOLSTERY W 45,5CM x H 43CM REC. GAS ADJ.	
5	1430289	HOLLOWED BACK UPHOLSTERY W 48CM x H 43CM REC. GAS ADJ.	
6	1430290	HOLLOWED BACK UPHOLSTERY W 50,5CM x H 43CM REC. GAS ADJ.	
7	1478451	HOLLOWED BACK UPHOLSTERY W 55,5CM x H 43CM REC. GAS ADJ.	
8	1483907	HOLLOWED BACK UPHOLSTERY W 60,5CM x H 43CM REC. GAS ADJ.	
9	1449971	HOLLOWED BACK UPHOLSTERY W 38CM x H 51CM REC. GAS ADJ.	
10	1449972	HOLLOWED BACK UPHOLSTERY W 40,5CM x H 51CM REC. GAS ADJ.	
11	1449973	HOLLOWED BACK UPHOLSTERY W 43CM x H 51CM REC. GAS ADJ.	
12	1449974	HOLLOWED BACK UPHOLSTERY W 45,5CM x H 51CM REC. GAS ADJ.	
13	1449975	HOLLOWED BACK UPHOLSTERY W 48CM x H 51CM REC. GAS ADJ.	
14	1449976	HOLLOWED BACK UPHOLSTERY W 50,5CM x H 51CM REC. GAS ADJ.	
15	1428603	ZINC ST 4,8-20F FBX SCREW	



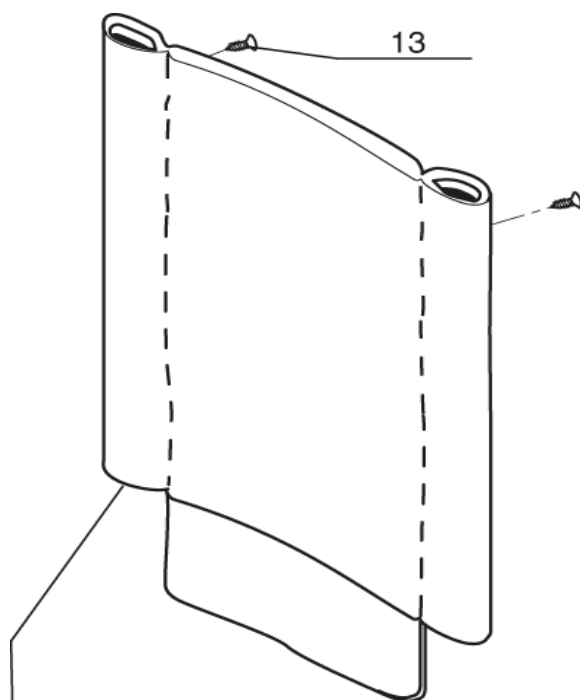
Invacare®
Action4®

Backrest Upholstery

A

07 / 06

14



	43 cm			51 cm
38 cm	1	7		
40,5 cm	2	8		
43 cm	3	9		
45,5 cm	4	10		
48 cm	5	11		
50,5 cm	6	12		

REP.	CODE	DESCRIPTION	VE000085
1	1428896	PADDED BACKREST UPHOLSTERY W 38CM x H 43CM	
2	1428897	PADDED BACKREST UPHOLSTERY W 40,5CM x H 43CM	
3	1428898	PADDED BACKREST UPHOLSTERY W 43CM x H 43CM	
4	1428899	PADDED BACKREST UPHOLSTERY W 45,5CM x H 43CM	
5	1428900	PADDED BACKREST UPHOLSTERY W 48CM x H 43CM	
6	1428901	PADDED BACKREST UPHOLSTERY W 50,5CM x H 43CM	
7	1428902	PADDED BACKREST UPHOLSTERY W 38CM x H 51CM	
8	1428903	PADDED BACKREST UPHOLSTERY W 40,5CM x H 51CM	
9	1428904	PADDED BACKREST UPHOLSTERY W 43CM x H 51CM	
10	1428905	PADDED BACKREST UPHOLSTERY W 45,5CM x H 51CM	
11	1428906	PADDED BACKREST UPHOLSTERY W 48CM x H 51CM	
12	1428559	PADDED BACKREST UPHOLSTERY W 50,5CM x H 51CM	
13	1428603	ZINC ST 4,8-20F FBX SCREW	



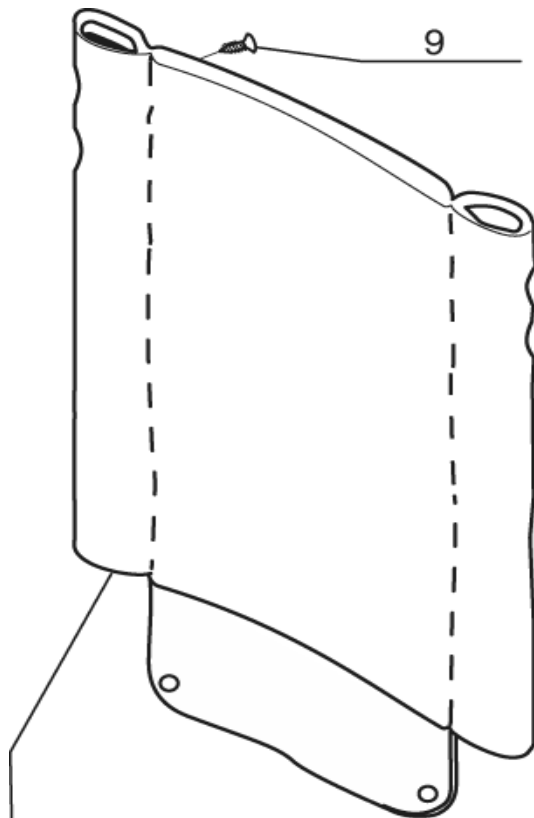
Invacare®
Action4®

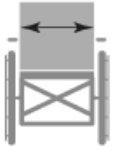
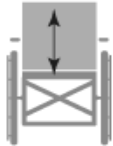
Padded Back Upholstery

A

07 / 06

15



	43 cm	
38 cm	1	
40,5 cm	2	
43 cm	3	
45,5 cm	4	
48 cm	5	
50,5 cm	6	
55,5 cm	7	
60,5 cm	8	

REP.	CODE	DESCRIPTION	VE000047
1	1449809	REA BACKREST UPHOLSTERY W 38CM x H 43CM	
2	1449810	REA BACKREST UPHOLSTERY W 40,5CM x H 43CM	
3	1449811	REA BACKREST UPHOLSTERY W 43CM x H 43CM	
4	1449812	REA BACKREST UPHOLSTERY W 45,5CM x H 43CM	
5	1449813	REA BACKREST UPHOLSTERY W 48CM x H 43CM	
6	1449814	REA BACKREST UPHOLSTERY W 50,5CM x H 43CM	
7	1483908	REA BACKREST UPHOLSTERY W 55,5CM x H 43CM	
8	1483909	REA BACKREST UPHOLSTERY W 60,5CM x H 43CM	
9	1428603	ZINC ST 4,8-20F FBX SCREW	







Invacare®
Action4®

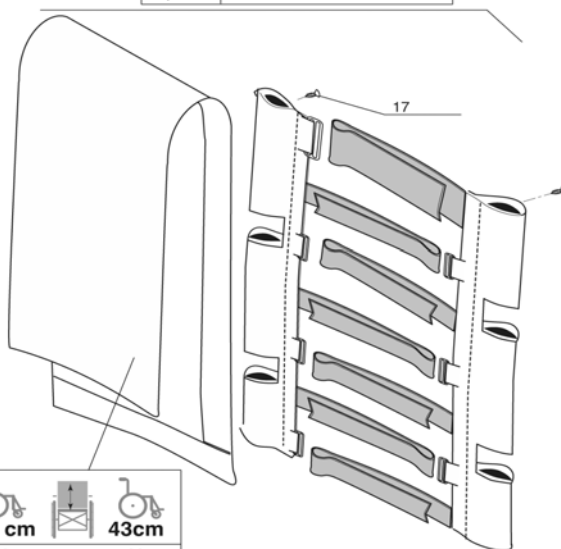
Rea Padded Back Upholstery





A

07 / 06

16

			
	43 cm		43cm
38 cm	1		9
40,5 cm	2		10
43 cm	3		11
45,5 cm	4		12
48 cm	5		13
50,5 cm	6		14
55,5 cm	7		15
60,5 cm	8		16



			
	43 cm		43cm
38 cm	18		26
40,5 cm	19		27
43 cm	20		28
45,5 cm	21		29
48 cm	22		30
50,5 cm	23		31
55,5 cm	24		32
60,5 cm	25		33

REP.	CODE	DESCRIPTION	VE000048
1	1428566	ADJUSTABLE BACK UPHOLSTERY W 38CM x H 43CM (RECLINER)	
2	1428567	ADJUSTABLE BACK UPHOLSTERY W 40,5CM x H 43CM (RECLINER)	
3	1428568	ADJUSTABLE BACK UPHOLSTERY W 43CM x H 43CM (RECLINER)	
4	1428569	ADJUSTABLE BACK UPHOLSTERY W 45,5CM x H 43CM (RECLINER)	
5	1428570	ADJUSTABLE BACK UPHOLSTERY W 48CM x H 43CM (RECLINER)	
6	1428571	ADJUSTABLE BACK UPHOLSTERY W 50,5CM x H 43CM (RECLINER)	
7	1478722	ADJUSTABLE BACK UPHOLSTERY W 55,5CM x H 43CM (RECLINER)	
8	1478769	ADJUSTABLE BACK UPHOLSTERY W 60,5CM x H 43CM (RECLINER)	
9	1449965	ADJUSTABLE BACK UPHOLSTERY W 38CM x H 43CM (FIXED)	
10	1449966	ADJUSTABLE BACK UPHOLSTERY W 40,5CM x H 43CM (FIXED)	
11	1449967	ADJUSTABLE BACK UPHOLSTERY W 43CM x H 43CM (FIXED)	
12	1449968	ADJUSTABLE BACK UPHOLSTERY W 45,5CM x H 43CM (FIXED)	
13	1449969	ADJUSTABLE BACK UPHOLSTERY W 48CM x H 43CM (FIXED)	
14	1449970	ADJUSTABLE BACK UPHOLSTERY W 50,5CM x H 43CM (FIXED)	
15	1478720	ADJUSTABLE BACK UPHOLSTERY W 55,5CM x H 43CM (FIXED)	
16	1478721	ADJUSTABLE BACK UPHOLSTERY W 60,5CM x H 43CM (FIXED)	
17	1428603	ZINC ST 4,8-20F FBX SCREW	
18	1428588	ADJUSTABLE BACK COVER W 38CM (RECLINER)	
19	1428589	ADJUSTABLE BACK COVER W 40,5CM (RECLINER)	
20	1428590	ADJUSTABLE BACK COVER W 43CM (RECLINER)	
21	1428591	ADJUSTABLE BACK COVER W 45,5CM (RECLINER)	
22	1428592	ADJUSTABLE BACK COVER W 48CM (RECLINER)	
23	1428593	ADJUSTABLE BACK COVER W 50,5CM (RECLINER)	
24	1485259	ADJUSTABLE BACK COVER W 55,5CM (RECLINER)	
25	1485260	ADJUSTABLE BACK COVER W 60,5CM (RECLINER)	
26	5106739-TR18	A4 ADJUSTABLE BACK COVER W 38CM (FIXED)	
27	5106740-TR18	A4 ADJUSTABLE BACK COVER W 40,5CM (FIXED)	
28	5106741-TR18	A4 ADJUSTABLE BACK COVER W 43CM (FIXED)	
29	5106742-TR18	A4 ADJUSTABLE BACK COVER W 45,5CM (FIXED)	
30	1435523	A4 ADJUSTABLE BACK COVER W 48CM (FIXED)	
31	5106743-TR18	A4 ADJUSTABLE BACK COVER W 50,5CM (FIXED)	
32	1478716	A4 ADJUSTABLE BACK COVER W 55,5CM (FIXED)	
33	1478717	A4 ADJUSTABLE BACK COVER W 60,5CM (FIXED)	



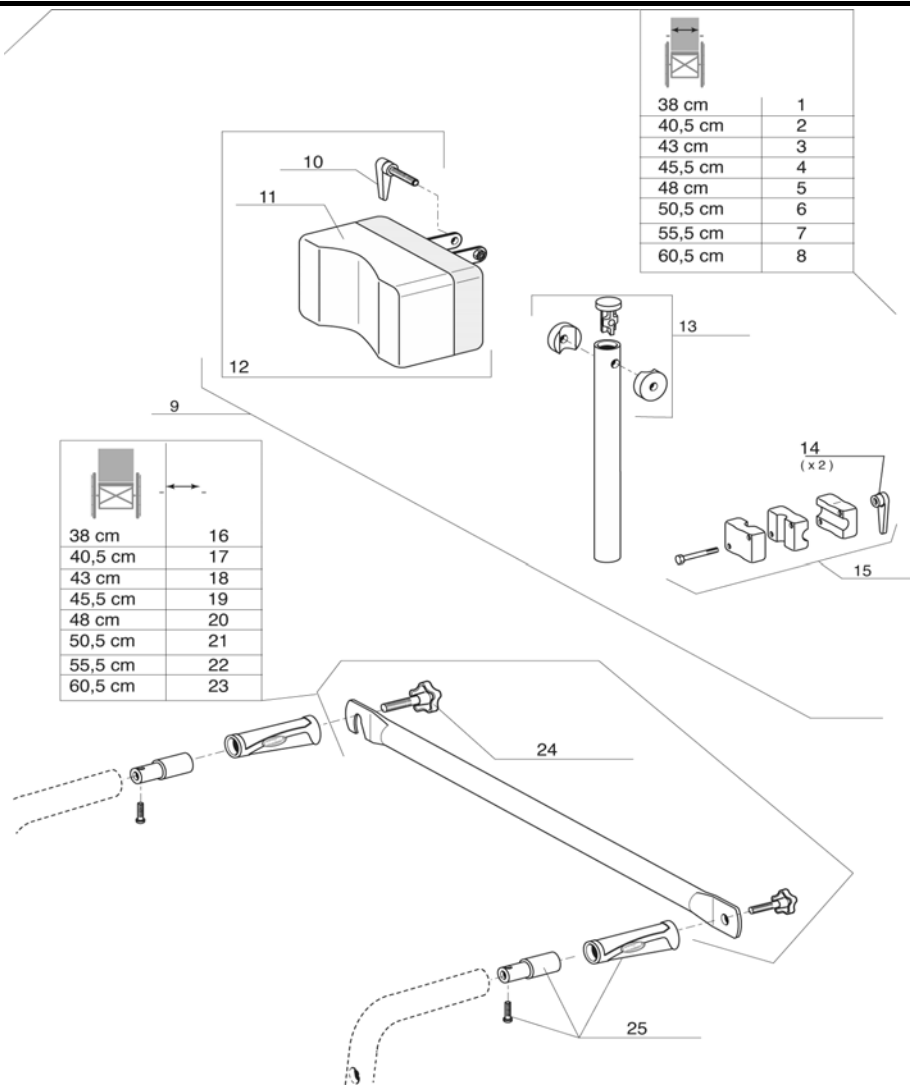
Invacare®
Action4®

Tension Adjustable Backrest Upholstery

A

07 / 06

17



REP.	CODE	DESCRIPTION	VE000049
1	1433028	HEADREST + BACKBRACE + FIXATION SET W 38CM	
2	1433029	HEADREST + BACKBRACE + FIXATION SET W 40,5CM	
3	1433030	HEADREST + BACKBRACE + FIXATION SET W 43CM	
4	1433031	HEADREST + BACKBRACE + FIXATION SET W 45,5CM	
5	1433032	HEADREST + BACKBRACE + FIXATION SET W 48CM	
6	1433033	HEADREST + BACKBRACE + FIXATION SET W 50,5CM	
7	1496214	HEADREST + BACKBRACE + FIXATION SET W 55,5CM	
8	1496215	HEADREST + BACKBRACE + FIXATION SET W 60,5CM	
9	1433702	COMFORT HEADREST + SUPPORT TUBE	
10	1428595	INDEXABLE LEVER; M6X40	
11	1420507	COMFORT HEADREST PAD	
12	1432623	HEADREST CUSHION + FIXATION	
13	1432622	HEADREST TUBE KIT	
14	1428547	INDEXABLE LEVER; FEMALE M6	
15	1432617	HEADREST SUPPORT KIT	
16	1434099	BACK BRACE KIT ASSY W 38CM	
17	1434100	BACK BRACE KIT ASSY W 40,5CM	
18	1433707	BACK BRACE KIT ASSY W 43CM	
19	1433708	BACK BRACE KIT ASSY W 45,5CM	
20	1433716	BACK BRACE KIT ASSY W 48CM	
21	1434105	BACK BRACE KIT ASSY W 50,5CM	
22	1483910	Back Brace Kit Assy W 55,5cm	
23	1483911	BACK BRACE KIT ASSY W 60,5CM	
24	0021-60029	32MM M6x16 BUTTON	
25	1430412	FIXED BACKREST CANE EXTENSION KIT	



Invacare®
Action4®

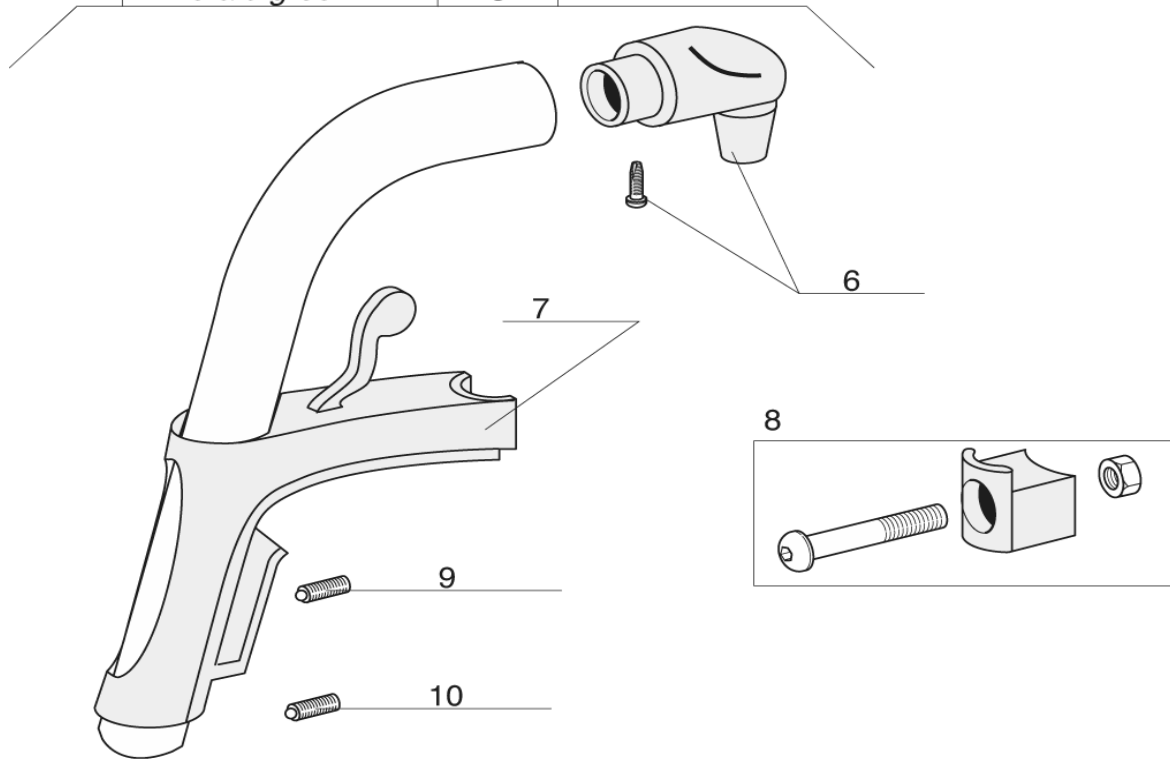
Comfort Headrest

A

07 / 06

18

<i>Dark red</i>	1
<i>Sapphir blue</i>	2
<i>Anthracite black</i>	3
<i>Pearl grey</i>	4
<i>Emerald green</i>	5



REP.	CODE	DESCRIPTION	VE000065
1	1428622-0607	FOOTREST HANGER 80° DARK RED	
2	1428622-0608	FOOTREST HANGER 80° SAPPHIRE BLUE	
3	1428622-0609	FOOTREST HANGER 80° ANTHRACITE BLACK	
4	1428622-0515	FOOTREST HANGER 80° PEARL GREY	
5	1428622-0612	FOOTREST HANGER 80° EMERALD GREEN	
6	1430426	HANGER PIVOT KIT	
7	1442708	HANGER SUPPORT COMPLETE (ALU PIN)	
8	1430427	HANGER LOCKED PART KIT	
9	1424572	STOP SCREW M10 X 12	
10	1424571	BALL SCREW M10X23	



Invacare®
Action4®

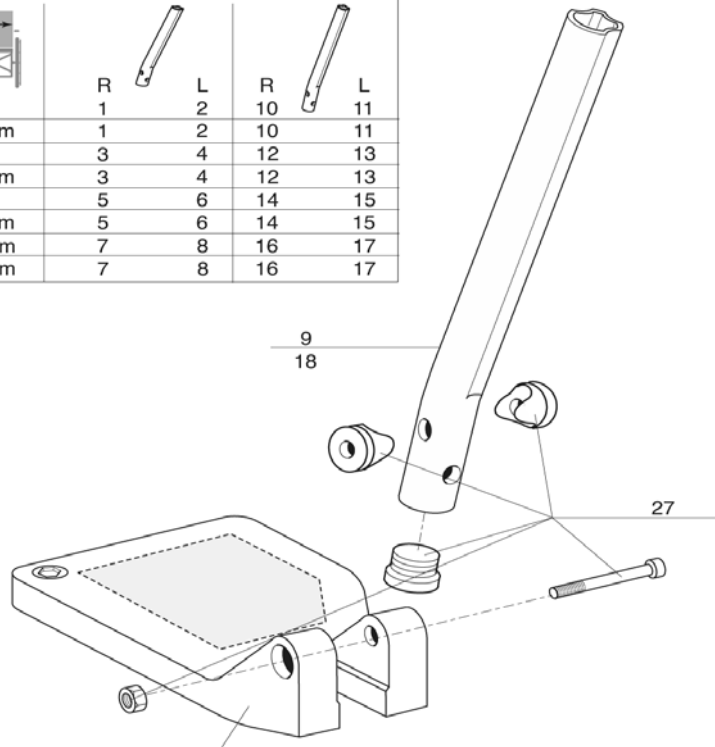
80° Standard Footrest Support

A

07 / 06

19

38 cm	R	L	R	L	
40,5 cm	1	2	10	11	
43 cm	3	4	12	13	
45,5 cm	3	4	12	13	
48 cm	5	6	14	15	
50,5 cm	5	6	14	15	
55,5 cm	7	8	16	17	
60,5 cm	7	8	16	17	



	R	L
38 cm	19	20
40,5 cm	19	20
43 cm	21	22
45,5 cm	21	22
48 cm	23	24
50,5 cm	23	24
55,5 cm	25	26
60,5 cm	25	26

REP.	CODE	DESCRIPTION	VE000050
1	1428645	RH STANDARD FOOTREST W 38CM/40,5CM - SHORT TUBE	
2	1428648	LH STANDARD FOOTREST W 38CM/40,5CM - SHORT TUBE	
3	1428646	RH STANDARD FOOTREST W 43CM/45,5CM - SHORT TUBE	
4	1428649	LH STANDARD FOOTREST W 43CM/45,5CM - SHORT TUBE	
5	1428647	RH STANDARD FOOTREST W 48CM/50,5CM - SHORT TUBE	
6	1428650	LH STANDARD FOOTREST W 48CM/50,5CM - SHORT TUBE	
7	1488623	RH STANDARD FOOTREST W 55,5CM/60,5CM - SHORT TUBE	
8	1488624	LH STANDARD FOOTREST W 55,5CM/60,5CM - SHORT TUBE	
9	1434561-0010	SHORT FOOTREST TUBE	
10	1428341	RH FOOTPLATE W 38CM/40,5CM	
11	1428340	LH FOOTPLATE W 38CM/40,5CM	
12	1424575	RH FOOTPLATE W 43CM/45,5CM	
13	1424574	LH FOOTPLATE W 43CM/45,5CM	
14	1428347	RH FOOTPLATE W 48CM/50,5CM	
15	1428346	LH FOOTPLATE W 48CM/50,5CM	
16	1428375	RH FOOTPLATE W 55,5CM/60,5CM	
17	1428374	LH FOOTPLATE W 55,5CM/60,5CM	
18	1434563-0010	LONG FOOTREST TUBE	
19	1440804	RH STANDARD FOOTREST W 38CM/40,5CM - LONG TUBE	
20	1440807	LH STANDARD FOOTREST W 38CM/40,5CM - LONG TUBE	
21	1440805	RH STANDARD FOOTREST W 43CM/45,5CM - LONG TUBE	
22	1440808	LH STANDARD FOOTREST W 43CM/45,5CM - LONG TUBE	
23	1440806	RH STANDARD FOOTREST W 48CM/50,5CM - LONG TUBE	
24	1440809	LH STANDARD FOOTREST W 48CM/50,5CM - LONG TUBE	
25	1488625	RH STANDARD FOOTREST W 55,5CM/60,5CM - LONG TUBE	
26	1488626	LH STANDARD FOOTREST W 55,5CM/60,5CM - LONG TUBE	
27	1430433	FOOTREST SCREWS KIT	



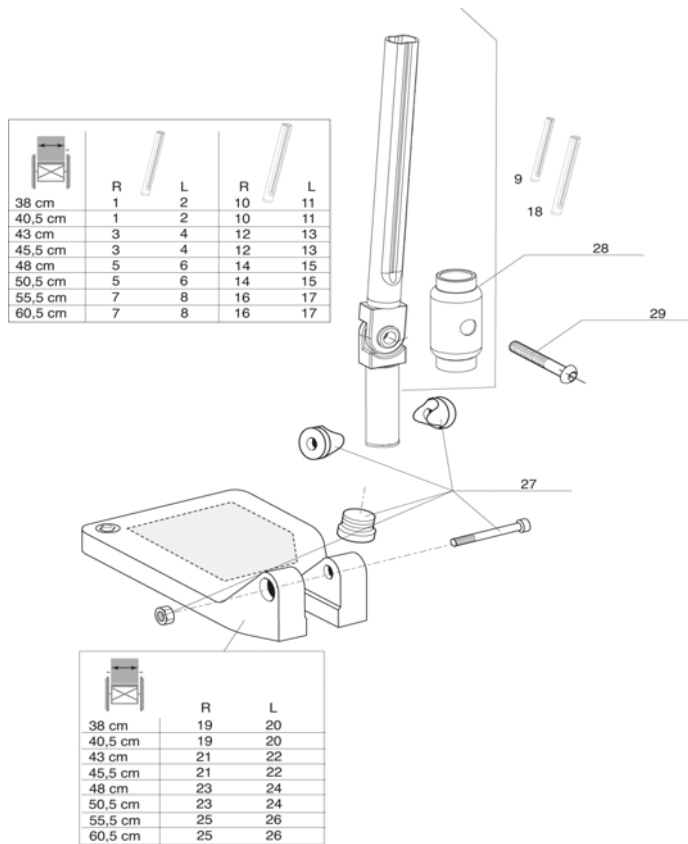
Invacare®
Action4®

Footrest

A

07 / 06

20



REP.	CODE	DESCRIPTION	VE000051
1	1488959	RH ADJUSTABLE FOOTREST W 38CM/40,5CM - SHORT TUBE	
2	1488960	LH ADJUSTABLE FOOTREST W 38CM/40,5CM - SHORT TUBE	
3	1485222	RH ADJUSTABLE FOOTREST W 43CM/45,5CM - SHORT TUBE	
4	1485223	LH ADJUSTABLE FOOTREST W 43CM/45,5CM - SHORT TUBE	
5	1485224	RH ADJUSTABLE FOOTREST W 48CM/50,5CM - SHORT TUBE	
6	1485225	LH ADJUSTABLE FOOTREST W 48CM/50,5CM - SHORT TUBE	
7	1485226	RH ADJUSTABLE FOOTREST W 55,5CM/60,5CM - SHORT TUBE	
8	1485227	LH ADJUSTABLE FOOTREST W 55,5CM/60,5CM - SHORT TUBE	
9	1485167	SHORT FOOTREST TUBE	
10	1488961	RH ADJUSTABLE FOOTREST W 38CM/40,5CM - LONG TUBE	
11	1488962	LH ADJUSTABLE FOOTREST W 38CM/40,5CM - LONG TUBE	
12	1492309	RH ADJUSTABLE FOOTREST W 43CM/45,5CM - LONG TUBE	
13	1492310	LH ADJUSTABLE FOOTREST W 43CM/45,5CM - LONG TUBE	
14	1492311	RH ADJUSTABLE FOOTREST W 48CM/50,5CM - LONG TUBE	
15	1492312	LH ADJUSTABLE FOOTREST W 48CM/50,5CM - LONG TUBE	
16	1492313	RH ADJUSTABLE FOOTREST W 55,5CM/60,5CM - LONG TUBE	
17	1492314	LH ADJUSTABLE FOOTREST W 55,5CM/60,5CM - LONG TUBE	
18	1485168	LONG FOOTREST TUBE	
19	1428341	RH FOOTPLATE W 38CM/40,5CM	
20	1428340	LH FOOTPLATE W 38CM/40,5CM	
21	1424575	RH FOOTPLATE W 43CM/45,5CM	
22	1424574	LH FOOTPLATE W 43CM/45,5CM	
23	1428347	RH FOOTPLATE W 48CM/50,5CM	
24	1428346	LH FOOTPLATE W 48CM/50,5CM	
25	1428375	RH FOOTPLATE W 55,5CM/60,5CM	
26	1428374	LH FOOTPLATE W 55,5CM/60,5CM	
27	1430433	ADJUSTABLE FOOTREST SCREWS KIT	
28	1485944	ADJUSTABLE FOOTREST SLEEVE	
29	0029-40046	SCREW CBHC M8 X 20	




Invacare®
Action4®

Angle Adjustable Footrest

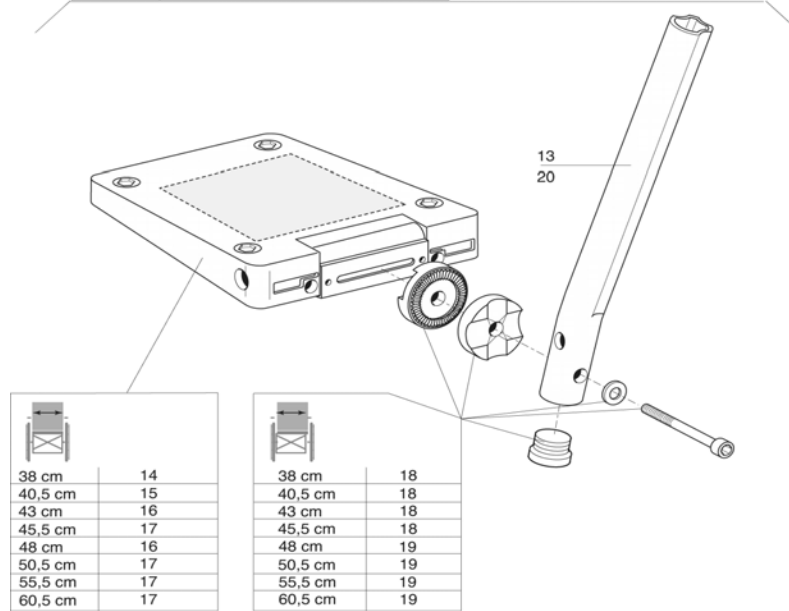
A

07 / 06

21



	R	L	R	L
38 cm	1	7	21	27
40,5 cm	2	8	22	28
43 cm	3	9	23	29
45,5 cm	4	10	24	30
48 cm	5	11	25	31
50,5 cm	6	12	26	32
55,5 cm	6	11	26	32
60,5 cm	6	11	26	32



REP.	CODE	DESCRIPTION	VE000052
1	1428651	RH ADJUSTABLE FOOTREST W 38CM - SHORT LOWER TUBE	
2	1428652	RH ADJUSTABLE FOOTREST W 40,5CM - SHORT LOWER TUBE	
3	1428653	RH ADJUSTABLE FOOTREST W 43CM - SHORT LOWER TUBE	
4	1428654	RH ADJUSTABLE FOOTREST W 45,5CM - SHORT LOWER TUBE	
5	1428655	RH ADJUSTABLE FOOTREST W 48CM - SHORT LOWER TUBE	
6	1428656	RH ADJUSTABLE FOOTREST W 50,5CM - SHORT LOWER TUBE	
7	1428657	LH ADJUSTABLE FOOTREST W 38CM - SHORT LOWER TUBE	
8	1428658	LH ADJUSTABLE FOOTREST W 40,5CM - SHORT LOWER TUBE	
9	1428659	LH ADJUSTABLE FOOTREST W 43CM - SHORT LOWER TUBE	
10	1428660	LH ADJUSTABLE FOOTREST W 45,5CM - SHORT LOWER TUBE	
11	1428661	LH ADJUSTABLE FOOTREST W 48CM - SHORT LOWER TUBE	
12	1428662	LH ADJUSTABLE FOOTREST W 50,5CM - SHORT LOWER TUBE	
13	1434561-0010	SHORT LOWER FOOTREST TUBE	
14	5106374	ADJUSTABLE FOOTPLATE 43CM	
15	5106375	ADJUSTABLE FOOTPLATE 46CM	
16	5106594	ADJUSTABLE FOOTPLATE 48CM	
17	5106376	ADJUSTABLE FOOTPLATE 50CM	
18	1430839	ADJUSTABLE FOOTREST W 38CM/45,5CM SCREWS KIT	
19	1430840	ADJUSTABLE FOOTREST W 48CM/50,5CM SCREWS KIT	
20	1434563-0010	LONG LOWER FOOTREST TUBE	
21	1440810	RH ADJUSTABLE FOOTREST W 38CM - LONG LOWER TUBE	
22	1440811	RH ADJUSTABLE FOOTREST W 40,5CM - LONG LOWER TUBE	
23	1440812	RH ADJUSTABLE FOOTREST W 43CM - LONG LOWER TUBE	
24	1440813	RH ADJUSTABLE FOOTREST W 45,5CM - LONG LOWER TUBE	
25	1440814	RH ADJUSTABLE FOOTREST W 48CM - LONG LOWER TUBE	
26	1440815	RH ADJUSTABLE FOOTREST W 50,5CM - LONG LOWER TUBE	
27	1440816	LH ADJUSTABLE FOOTREST W 38CM - LONG LOWER TUBE	
28	1440817	LH ADJUSTABLE FOOTREST W 40,5CM - LONG LOWER TUBE	
29	1440818	LH ADJUSTABLE FOOTREST W 43CM - LONG LOWER TUBE	
30	1440819	LH ADJUSTABLE FOOTREST W 45,5CM - LONG LOWER TUBE	
31	1440820	LH ADJUSTABLE FOOTREST W 48CM - LONG LOWER TUBE	
32	1440821	LH ADJUSTABLE FOOTREST W 50,5CM - LONG LOWER TUBE	



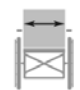
Invacare®
Action4®

Angle & Depth Adjustable Footrest

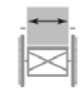
A

07 / 06

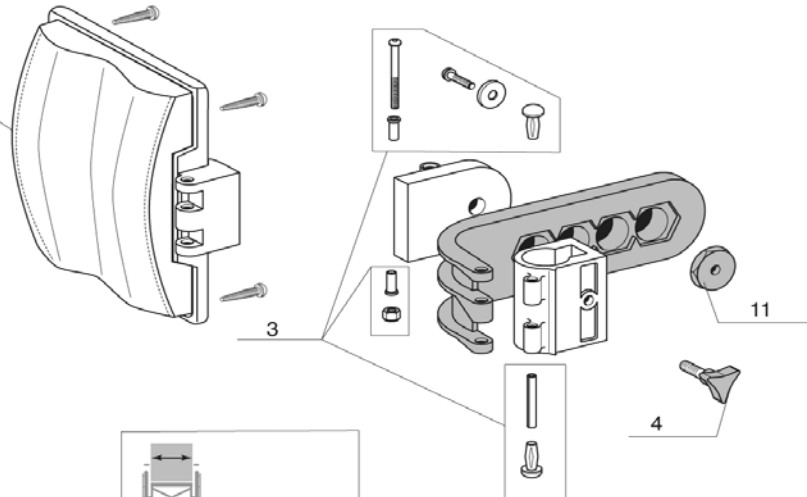

22



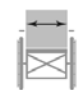
38 cm	1
40,5 cm	1
43 cm	1
45,5 cm	2
48 cm	2
50,5 cm	2



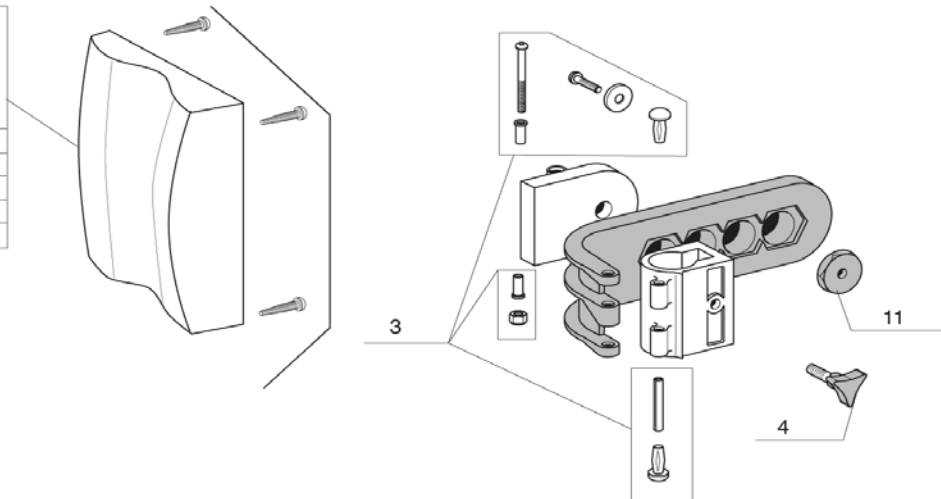
38 cm	5
40,5 cm	5
43 cm	5
45,5 cm	6
48 cm	6
50,5 cm	6

38 cm	-
40,5 cm	7
43 cm	7
45,5 cm	8
48 cm	-
50,5 cm	8



38 cm	-
40,5 cm	9
43 cm	9
45,5 cm	10
48 cm	-
50,5 cm	10



REP.	CODE	DESCRIPTION	VE000221
1	1450932	PADDED CALF PAD W38-43CM	
2	1450933	PADDED CALF PAD W 45,5-50,5CM	
3	1430432	CALF PAD SCREWS KIT	
4	1440943	CALF PAD BUTTON	
5	1430430	NYLON CALF PAD W 38-43CM+ FIXATION	
6	1430431	NYLON CALF PAD W 45,5-50,5CM+ FIXATION	
7	1439992	DARTEX CALF PAD W 40,5/43CM	
8	1450934	DARTEX CALF PAD W 45,5/50,5CM	
9	1450935	DARTEX CALF PAD W 40,5/43CM+ FIXATION	
10	1442646	DARTEX CALF PAD W 45,5/50,5CM+ FIXATION	
11	1440132	CALF PAD FIXATION	



Invacare®
Action4®

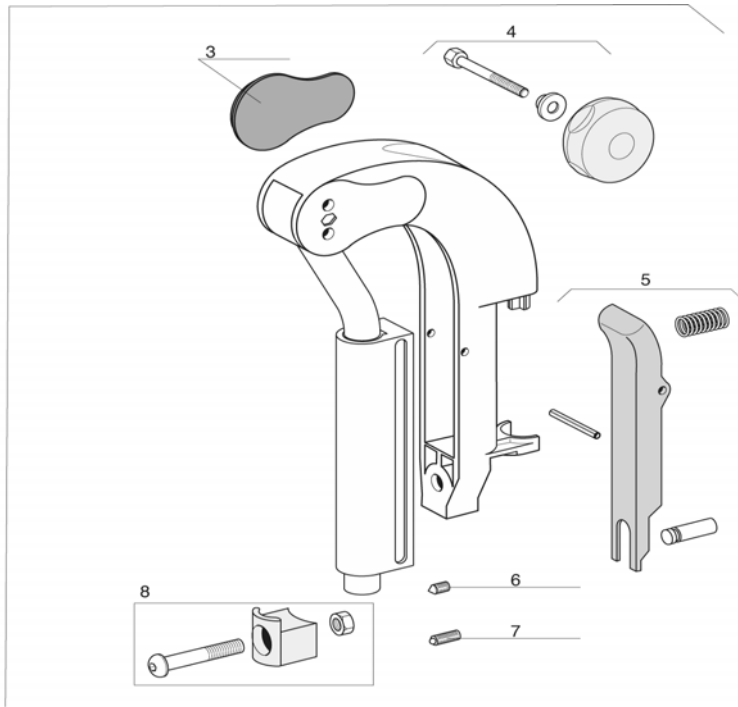
Calf Pad

A

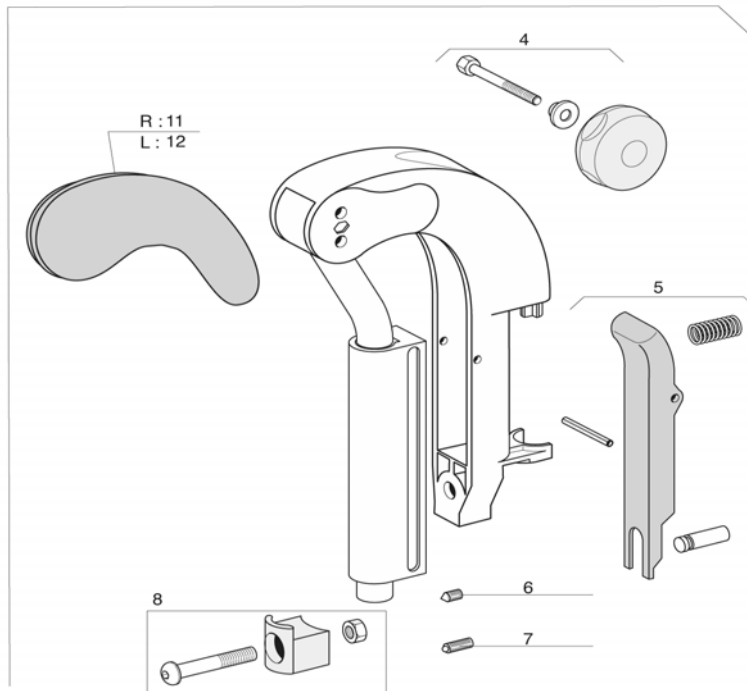
07 / 06

23

R : 1
L : 2



R : 9
L : 10



REP.	CODE	DESCRIPTION	VE000093
1	1428370	RH ELEVATING LEGREST	
2	1428371	LH ELEVATING LEGREST	
3	1428336	RH/LH KNEE PROTECTOR PAD	
4	1430428	COMPLETE KNOB KIT	
5	1430429	LEGREST TRIGGER KIT	
6	1424572	STOP SCREW M10X12	
7	1424571	BALL SCREW M10X23	
8	1430427	HANGER LOCKED PART KIT	
9	1445809-0509	RH ELEVATING LEGREST + KNEE PROTECTION DARTEX	
10	1445810-0509	LH ELEVATING LEGREST + KNEE PROTECTION DARTEX	
11	1445808	RH KNEE PROTECTION DARTEX + SCREWS	
12	1445807	LH KNEE PROTECTION DARTEX + SCREWS	



Invacare®
Action4®

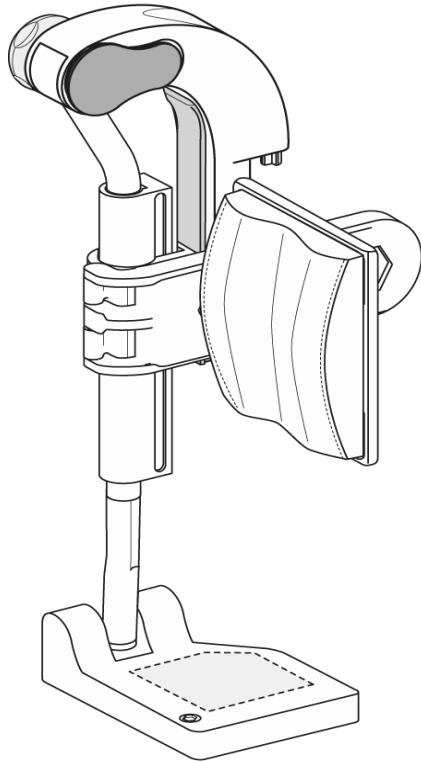
Adjustable Legrest

A

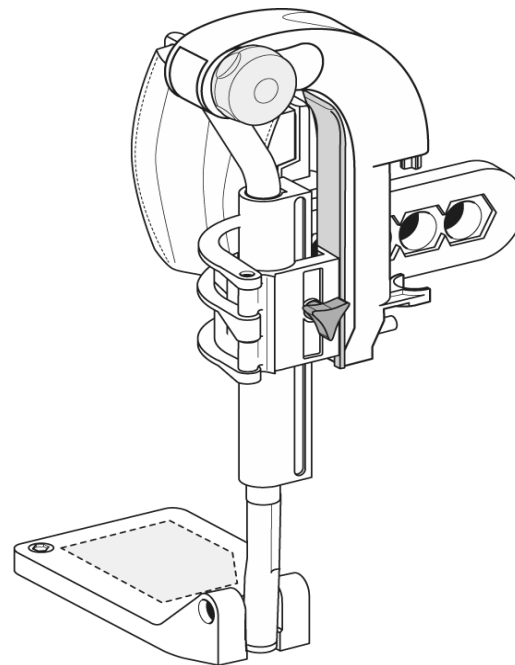
07 / 06

24

	R
38 cm	1
40,5 cm	1
43 cm	2
45,5 cm	3
48 cm	4
50,5 cm	4



	L
38 cm	5
40,5 cm	5
43 cm	6
45,5 cm	7
48 cm	8
50,5 cm	8



REP.	CODE	DESCRIPTION	VE000100
1	1432973	RH ELEVATING LEGREST + FIXED FOOTPLATE W 38/40,5CM	
2	1432975	RH ELEVATING LEGREST + FIXED FOOTPLATE W 43CM	
3	1432977	RH ELEVATING LEGREST + FIXED FOOTPLATE W 45,5CM	
4	1432979	RH ELEVATING LEGREST + FIXED FOOTPLATE W 48/50,5CM	
5	1432974	LH ELEVATING LEGREST + FIXED FOOTPLATE W 38/40,5CM	
6	1432976	LH ELEVATING LEGREST + FIXED FOOTPLATE W 43CM	
7	1432978	LH ELEVATING LEGREST + FIXED FOOTPLATE W 45,5CM	
8	1432980	LH ELEVATING LEGREST + FIXED FOOTPLATE W 48/50,5CM	



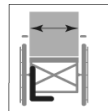
Invacare®
Action4®

Assembly Legrest Fixed Footrest

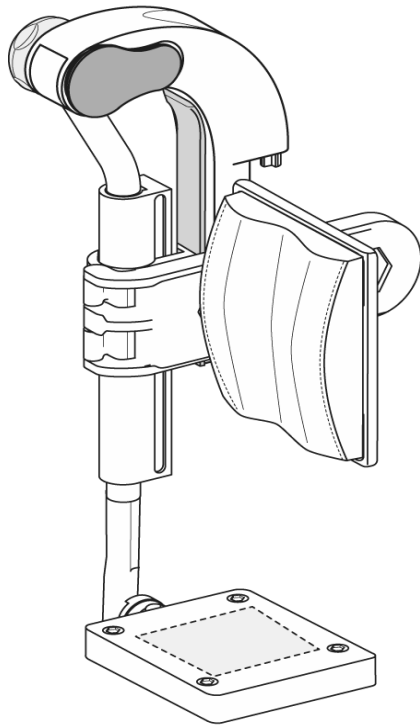
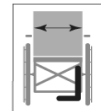
A

07 / 06

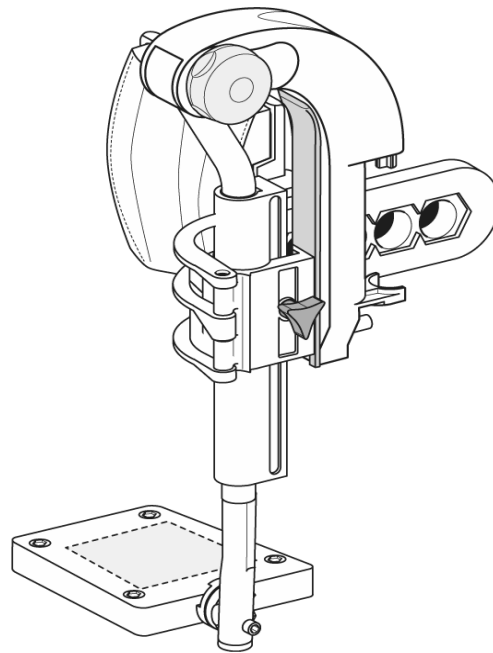
25



R	
38 cm	1
40,5 cm	2
43 cm	3
45,5 cm	4
48 cm	5
50,5 cm	6

L	
38 cm	7
40,5 cm	8
43 cm	9
45,5 cm	10
48 cm	11
50,5 cm	12



REP.	CODE	DESCRIPTION	VE000099
1	1432981	RH ELEVATING LEGREST + ADJUSTABLE FOOTPLATE W 38CM	
2	1432983	RH ELEVATING LEGREST + ADJUSTABLE FOOTPLATE W 40,5CM	
3	1432985	RH ELEVATING LEGREST + ADJUSTABLE FOOTPLATE W 43CM	
4	1432947	RH ELEVATING LEGREST + ADJUSTABLE FOOTPLATE W 45,5CM	
5	1432949	RH ELEVATING LEGREST + ADJUSTABLE FOOTPLATE W 48CM	
6	1432965	RH ELEVATING LEGREST + ADJUSTABLE FOOTPLATE W 50,5CM	
7	1432982	LH ELEVATING LEGREST + ADJUSTABLE FOOTPLATE W 38CM	
8	1432984	LH ELEVATING LEGREST + ADJUSTABLE FOOTPLATE W 40,5CM	
9	1432986	LH ELEVATING LEGREST + ADJUSTABLE FOOTPLATE W 43CM	
10	1432948	LH ELEVATING LEGREST + ADJUSTABLE FOOTPLATE W 45,5CM	
11	1432964	LH ELEVATING LEGREST + ADJUSTABLE FOOTPLATE W 48CM	
12	1432971	LH ELEVATING LEGREST + ADJUSTABLE FOOTPLATE W 50,5CM	



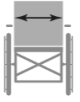
Invacare®
Action4®

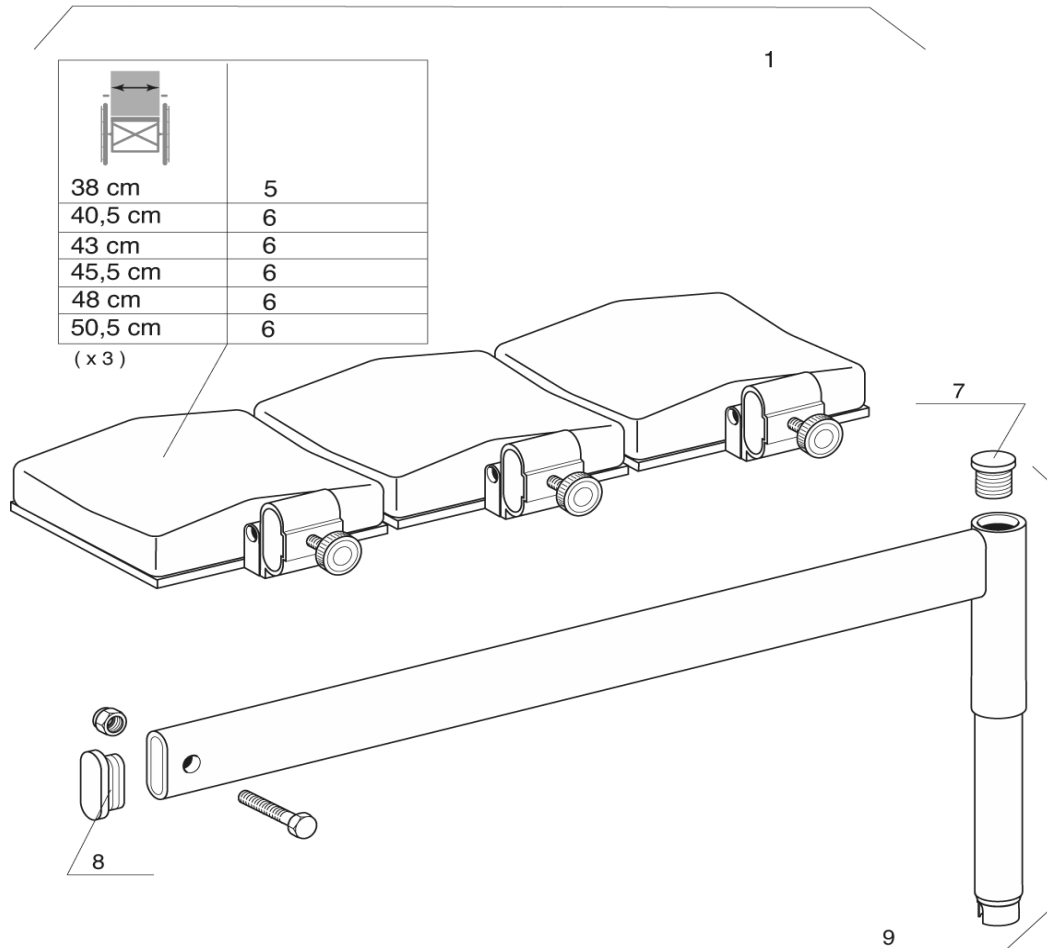
Assembly Legrest Adjustable Footrest

A

07 / 06

26

	R	L
38 cm	1	3
40,5 cm	2	4
43 cm	2	4
45,5 cm	2	4
48 cm	2	4
50,5 cm	2	4



REP.	CODE	DESCRIPTION	VE000088
1	1432612	RH PLASTER LEGREST COMPLETE W 38CM	
2	1432613	RH PLASTER LEGREST COMPLETE W 40,5 TO 50,5CM	
3	1443244	LH PLASTER LEGREST COMPLETE W 38CM	
4	1443245	LH PLASTER LEGREST COMPLETE W 40,5 TO 50,5CM	
5	1403981	CALF PAD W 38CM	
6	1403982	CALF PAD W 40,5 TO 50,5CM	
7	0021-20003	ROND BLACK CAP 18X1,5	
8	5716498	PLASTIC CAP 13X36X1,5	
9	1432614	PLASTER LEGREST SUPPORT ASSY	



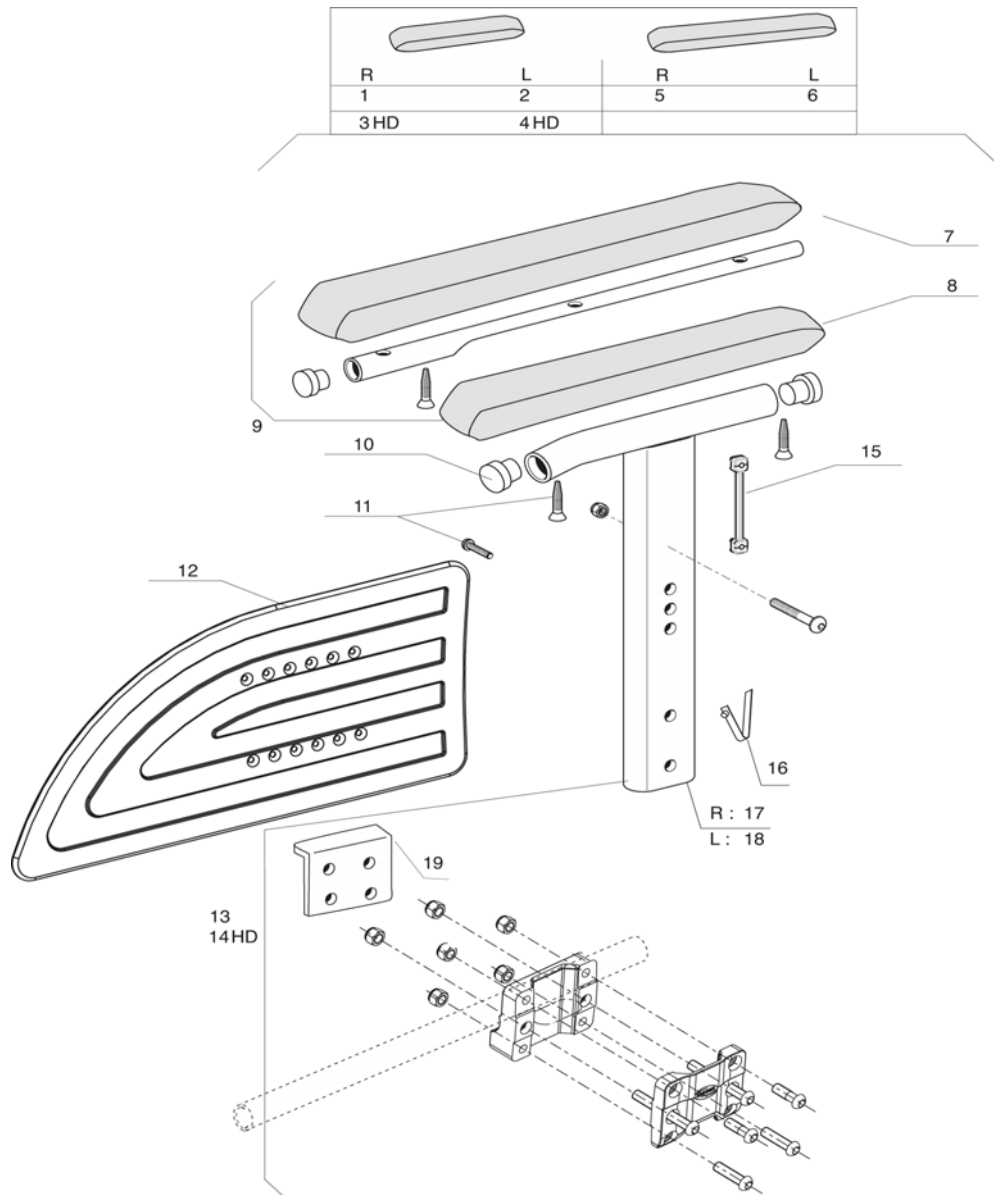
Invacare®
Action4®

Plaster Legrest Complete

A

07 / 06

27



REP.	CODE	DESCRIPTION	VE000053
1	1449977	RH DESK ARMREST 1; REMOVABLE AND HEIGHT ADJUSTABLE; RIO	
2	1449978	LH DESK ARMREST 1; REMOVABLE AND HEIGHT ADJUSTABLE; RIO	
3	1478770	RH DESK ARMREST 1; REMOVABLE AND HEIGHT ADJUSTABLE; RIO HD	
4	1478771	LH DESK ARMREST 1; REMOVABLE AND HEIGHT ADJUSTABLE; RIO HD	
5	1449979	RH LONG ARMREST 1; REMOVABLE AND HEIGHT ADJUSTABLE; RIO	
6	1449980	LH LONG ARMREST 1; REMOVABLE AND HEIGHT ADJUSTABLE; RIO	
7	1426723	LONG ARMPAD (35 CM)	
8	1426721	SHORT ARMPAD (25 CM)	
9	1432595	LONG ARMPAD FIXATION KIT	
10	0021-20028	PLASTIC CAP 19x1,5MM	
11	1430422	ARMREST 1 SCREWS KIT	
12	1434725	ARMREST SKIRTGUARD RIO	
13	1450984	ARMREST CENTRAL SUPPORT ASSY	
14	1487436	ARMREST CENTRAL SUPPORT ASSY HD	
15	1435388	RIO SKITGUARD INSERT	
16	0027-10002	ARMREST PUSH PIN	
17	1428721-0699	RH ARMREST TUBE SUPPORT	
18	1425467-0699	LH ARMREST TUBE SUPPORT	
19	1488995-0699	ARMREST PLATE FOR HEAVY VERSION	



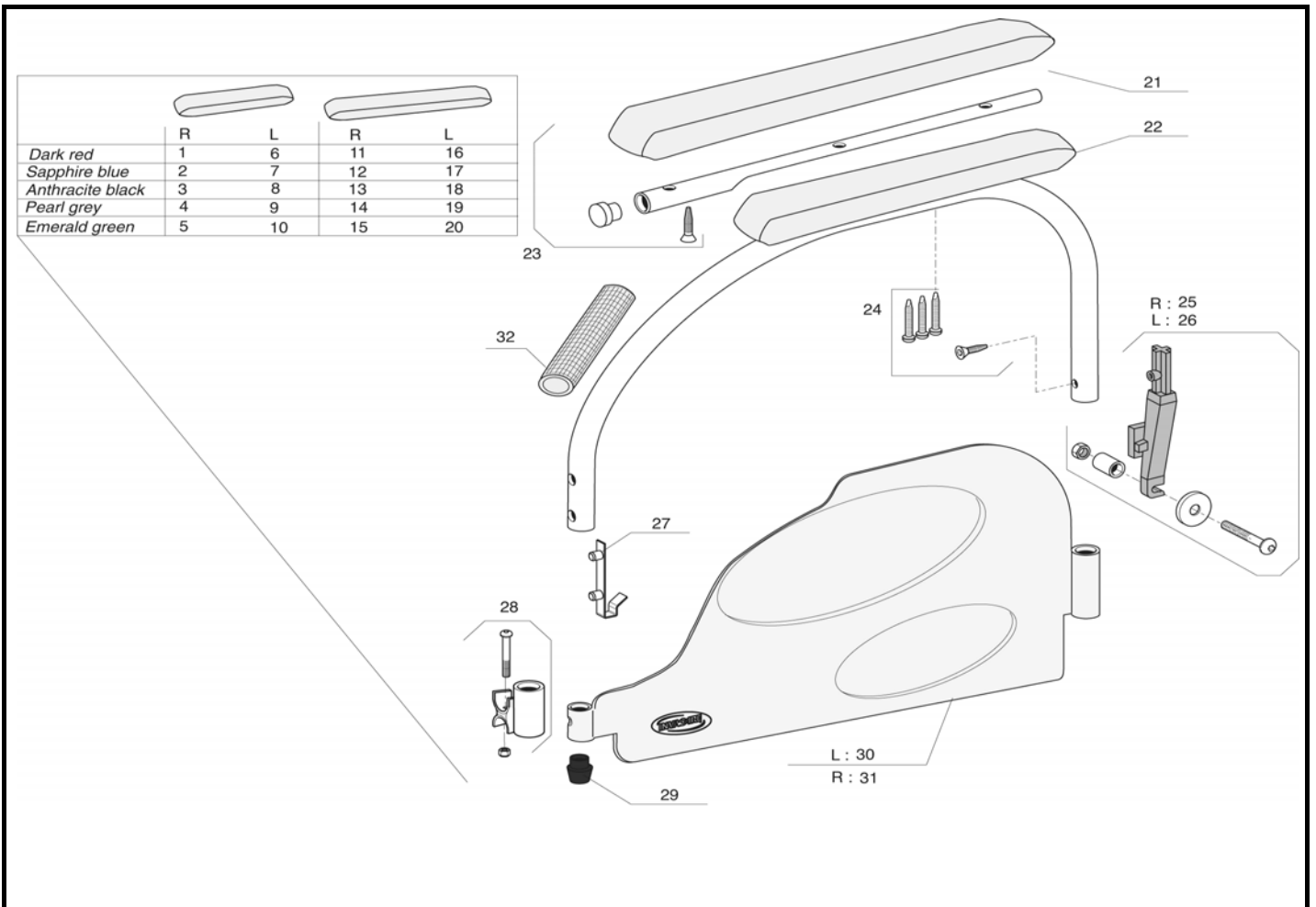
Invacare®
Action4®

Height Adjustable Armrest / Rio

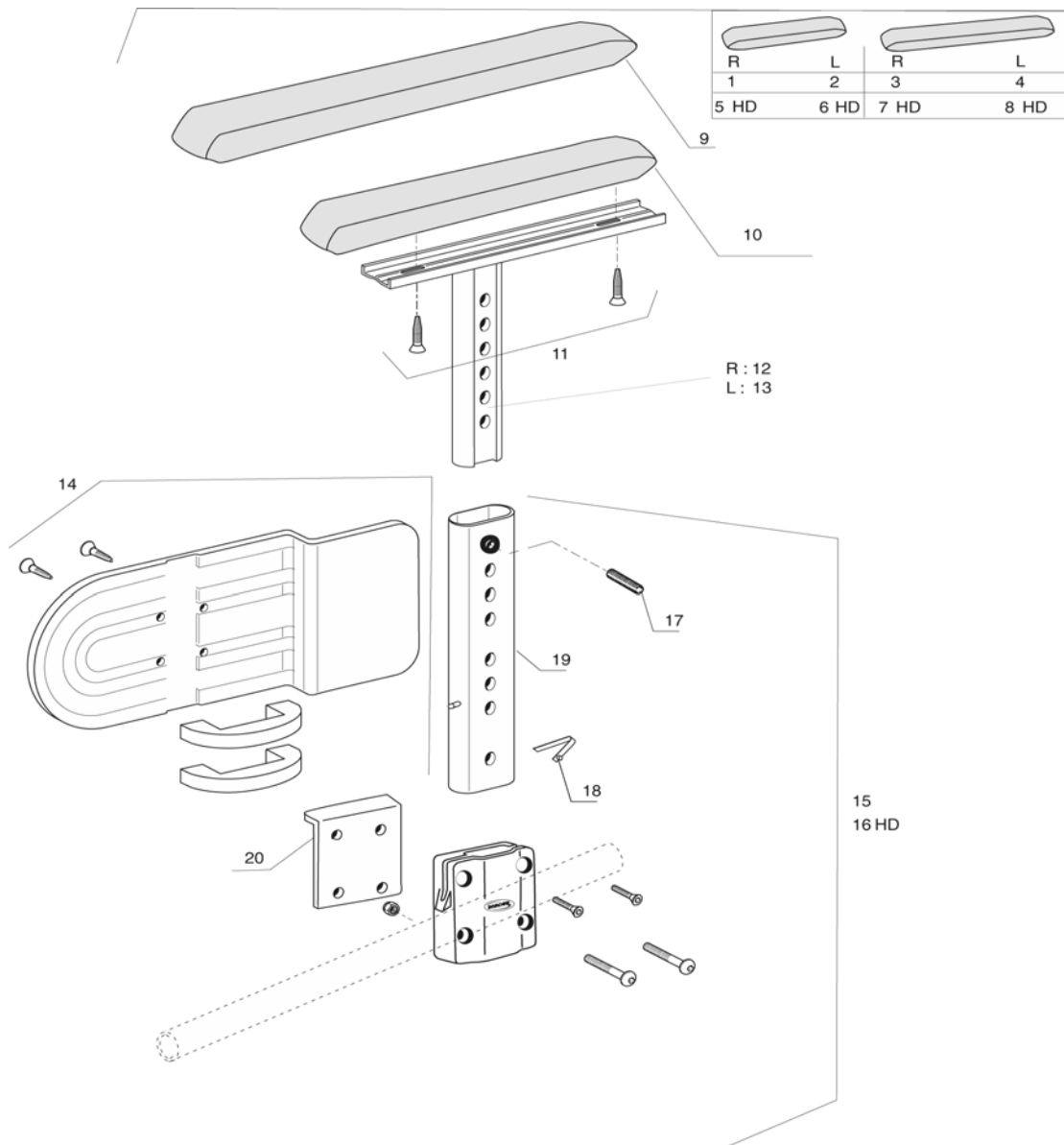
A

07 / 06

28



REP.	CODE	DESCRIPTION				VE000223
1	1428604-0607	RH DESK ARMREST 2; DARK RED				
2	1428604-0608	RH DESK ARMREST 2; SAPPHIRE BLUE				
3	1428604-0609	RH DESK ARMREST 2; ANTHRACITE BLACK				
4	1428604-0515	RH DESK ARMREST 2; PEARL GREY				
5	1428604-0612	RH DESK ARMREST 2; EMERALD GREEN				
6	1428605-0607	LH DESK ARMREST 2; DARK RED				
7	1428605-0608	LH DESK ARMREST 2; SAPPHIRE BLUE				
8	1428605-0609	LH DESK ARMREST 2; ANTHRACITE BLACK				
9	1428605-0515	LH DESK ARMREST 2; PEARL GREY				
10	1428605-0612	LH DESK ARMREST 2; EMERALD GREEN				
11	1428606-0607	RH LONG ARMREST 2; DARK RED				
12	1428606-0608	RH LONG ARMREST 2; SAPPHIRE BLUE				
13	1428606-0609	RH LONG ARMREST 2; ANTHRACITE BLACK				
14	1428606-0515	RH LONG ARMREST 2; PEARL GREY				
15	1428606-0612	RH LONG ARMREST 2; EMERALD GREEN				
16	1428607-0607	LH LONG ARMREST 2; DARK RED				
17	1428607-0608	LH LONG ARMREST 2; SAPPHIRE BLUE				
18	1428607-0609	LH LONG ARMREST 2; ANTHRACITE BLACK				
19	1428607-0515	LH LONG ARMREST 2; PEARL GREY				
20	1428607-0612	LH LONG ARMREST 2; EMERALD GREEN				
21	1426723	LONG ARMPAD (NEW DESIGN)				
22	1426721	SHORT ARMPAD (NEW DESIGN)				
23	1432595	LONG ARMPAD FIXATION KIT				
24	1430424	ARMREST 2 SCREWS KIT				
25	1430423	RH ARMREST REAR SUPPORT KIT				
26	1431284	LH ARMREST REAR SUPPORT KIT				
27	1018225	DOUBLE STUD PIN				
28	0572-05368	ARMREST FRONT SUPPORT KIT				
29	0572-03405	SHORT CONICAL CAP				
30	1491220	LH ARMREST SKIRTGUARD 2				
31	1491219	RH ARMREST SKIRTGUARD 2				
32	0572-02851	ARMREST HANDLE COVER				



REP.	CODE	DESCRIPTION	VE000054
1	1449987	ADJUSTABLE ARMREST 4, SHORT PAD RH	
2	1449988	ADJUSTABLE ARMREST 4, SHORT PAD LH	
3	1450015	ADJUSTABLE ARMREST 4, LONG PAD RH	
4	1450016	ADJUSTABLE ARMREST 4, LONG PAD LH	
5	1487437	ADJUSTABLE ARMREST 4, SHORT PAD RH HD	
6	1487438	ADJUSTABLE ARMREST 4, SHORT PAD LH HD	
7	1487439	ADJUSTABLE ARMREST 4, LONG PAD RH HD	
8	1487440	ADJUSTABLE ARMREST 4, LONG PAD LH HD	
9	1434677	LONG ARMPAD (35 CM) FLAT SUPPORT	
10	1434676	SHORT ARMPAD (25 CM) FLAT SUPPORT	
11	0029-40532	FBZ SCREW D4,8 X 19	
12	1449637-0010	ARMPAD SUPPORT RH	
13	1449638-0010	ARMPAD SUPPORT LH	
14	1430425	SKIRTGUARD ARMREST 4 FIXATION KIT	
15	1451766	CENTRAL SUPPORT ARMREST 4 KIT	
16	1487436	CENTRAL SUPPORT ARMREST 4 KIT HD	
17	5106533	BALL SCREW M8 X 7,5	
18	0027-10002	ARMREST PUSH PIN	
19	1443058	LOWEST ARMREST TUBE SUPPORT N°4	
20	1488995-0699	ARMREST PLATE FOR HEAVY VERSION	



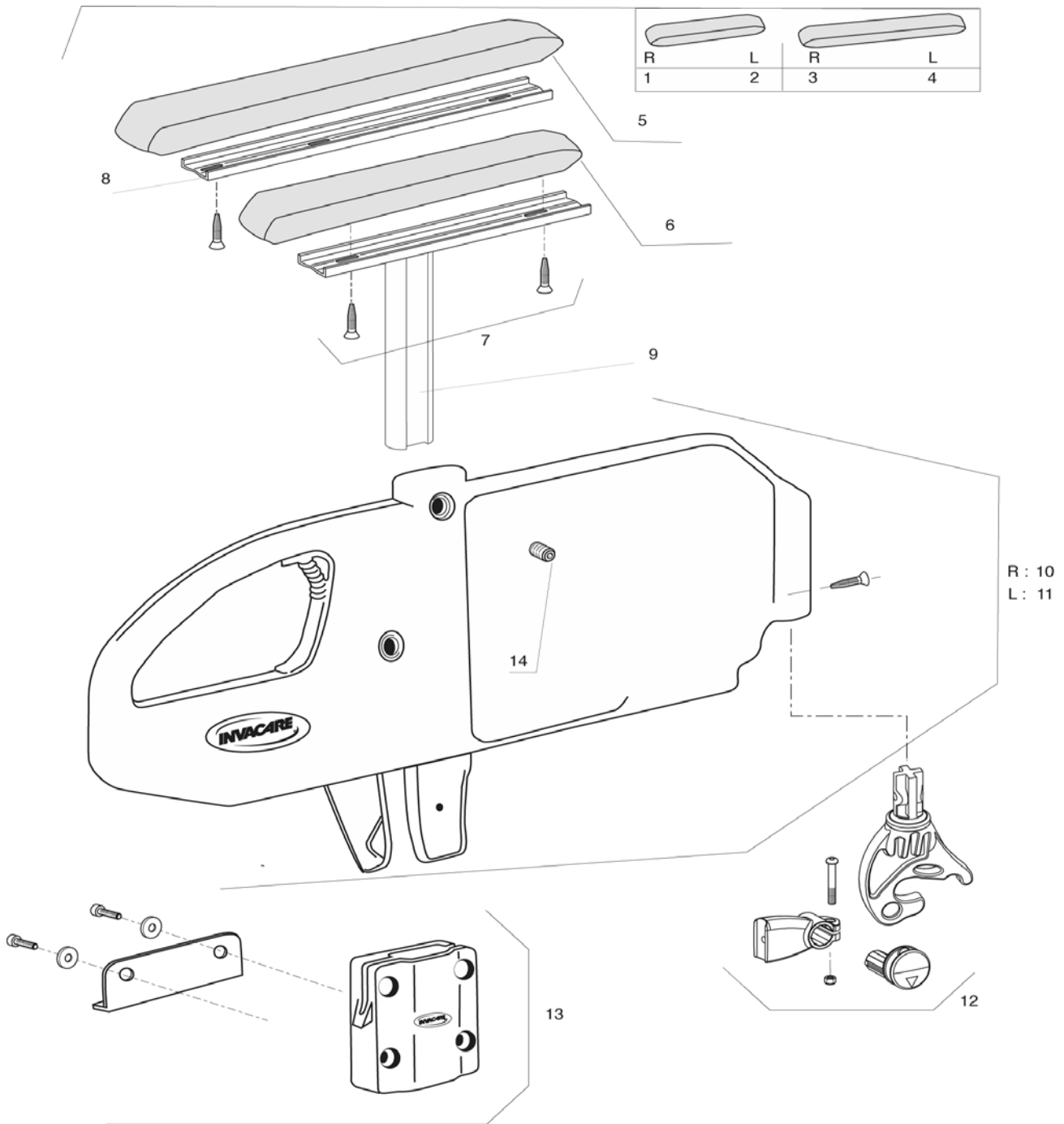
Invacare®
Action4®

Height Adjustable Armrest 4

A

07 / 06

30



REP.	CODE	DESCRIPTION	VE000071
1	1450021	MONOBLOC ARMREST FLIP-UP, SHORT PAD RH	
2	1450022	MONOBLOC ARMREST FLIP-UP, SHORT PAD LH	
3	1450023	MONOBLOC ARMREST FLIP-UP, LONG PAD RH	
4	1450024	MONOBLOC ARMREST FLIP-UP, LONG PAD LH	
5	1434677	LONG ARMPAD (35 CM) FLAT SUPPORT	
6	1434676	SHORT ARMPAD (25 CM) FLAT SUPPORT	
7	0029-40532	FBZ SCREW D 4,8 X 19	
8	1439876	LONG ARMPAD REINFORCED PLATE	
9	1435382-0008	MONOBLOC ARMPAD SUPPORT	
10	1450623	MONOBLOC SUPPORT BASE RH	
11	1497342	MONOBLOC SUPPORT BASE LH	
12	1450625	A4 MONOBLOC ARMREST REAR SUPPORT KIT	
13	1448975	Monobloc Central Support A4	
14	5106533	HEADLESS SCREW	



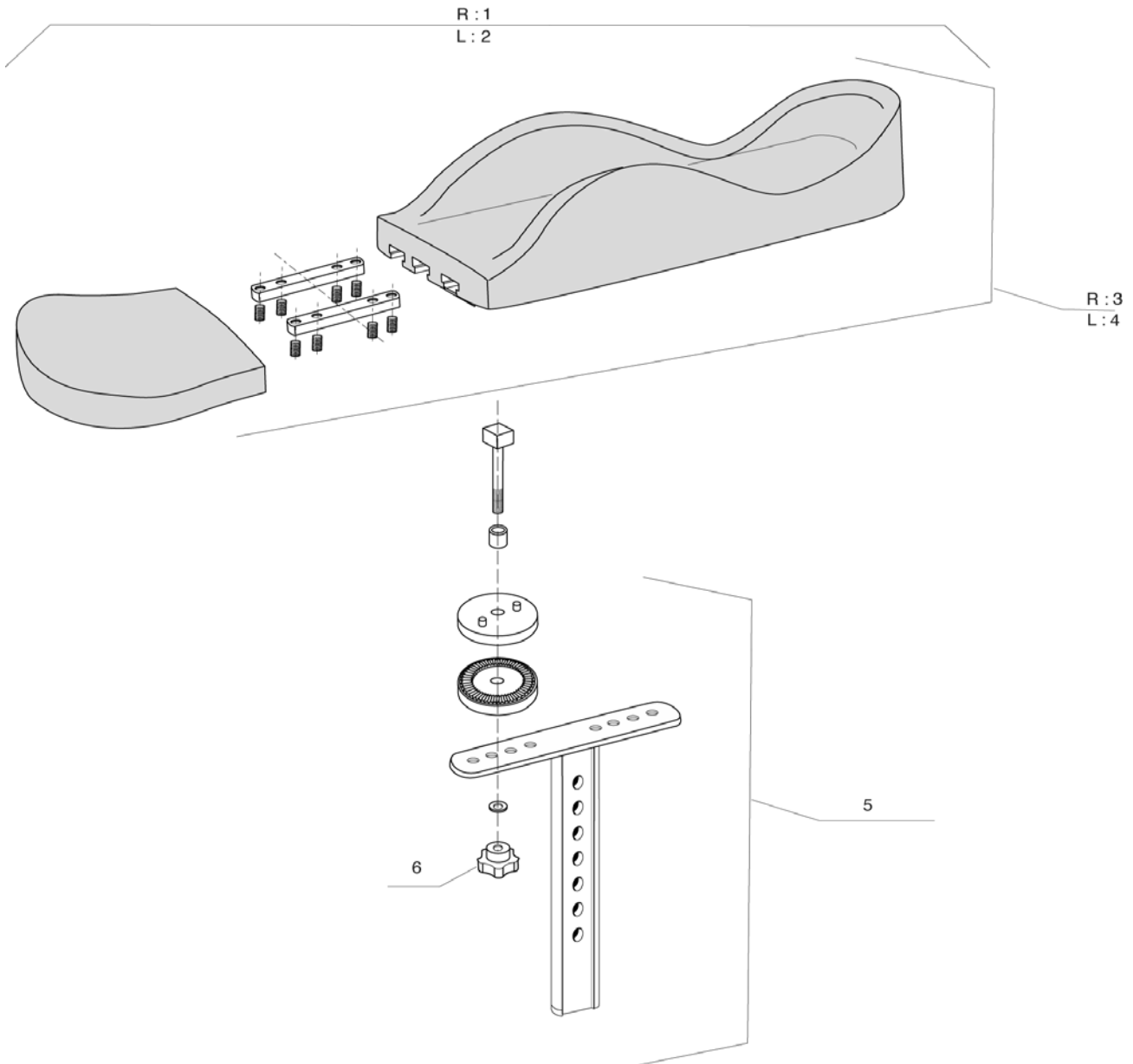
Invacare®
Action4®

Height Adjustable Monobloc Armrest

A

07 / 06

31



REP.	CODE	DESCRIPTION	VE000091
1	1443024	RH HEMI MOTION ARMPAD SIMPLE ADJUSTABLE	
2	1443025	LH HEMI MOTION ARMPAD SIMPLE ADJUSTABLE	
3	1444965	RH MOTION ARMPAD	
4	1442973	LH MOTION ARMPAD	
5	1443028	MOUNTING KIT MOTION ARMPAD SIMPLE ADJUSTABLE	
6	0021-60032	BUTTON M6X25	



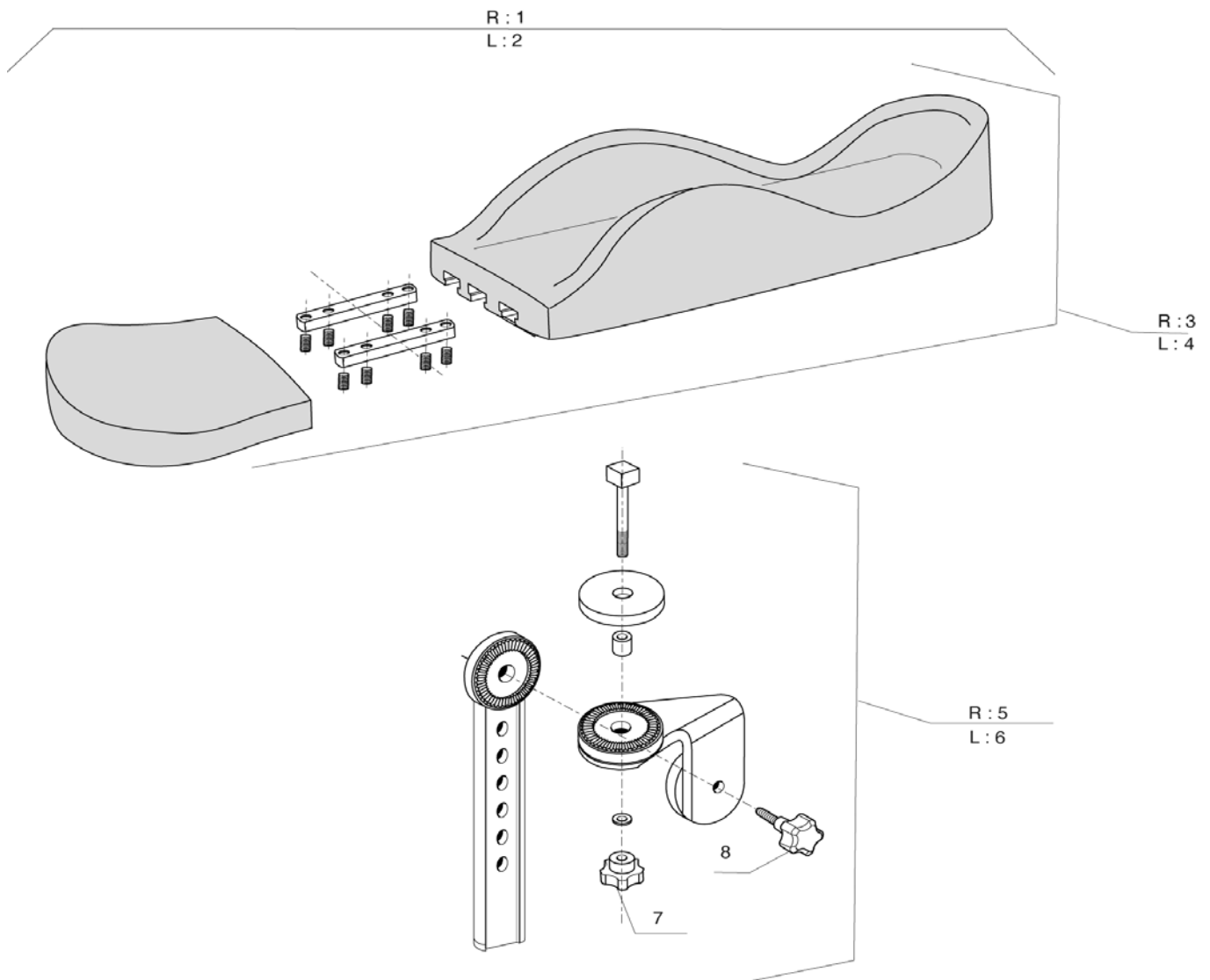
Invacare®
Action4®

Hemi Motion Armpad Simple Adjustable

A

07 / 06

32



REP.	CODE	DESCRIPTION	VE000090
1	1443029	RH HEMI MOTION ARMPAD MULTI ADJUSTABLE	
2	1443030	Lh Hemi Motion Armpad Multi Adjustable	
3	1444965	RH MOTION ARMPAD	
4	1442973	LH MOTION ARMPAD	
5	1443031	RH MOUNTING KIT MOTION ARMPAD MULTI ADJUSTABLE	
6	1443032	LH MOUNTING KIT MOTION ARMPAD MULTI ADJUSTABLE	
7	0021-60032	BUTTON M6X25	
8	0021-60029	BUTTON M6X16 - 32	



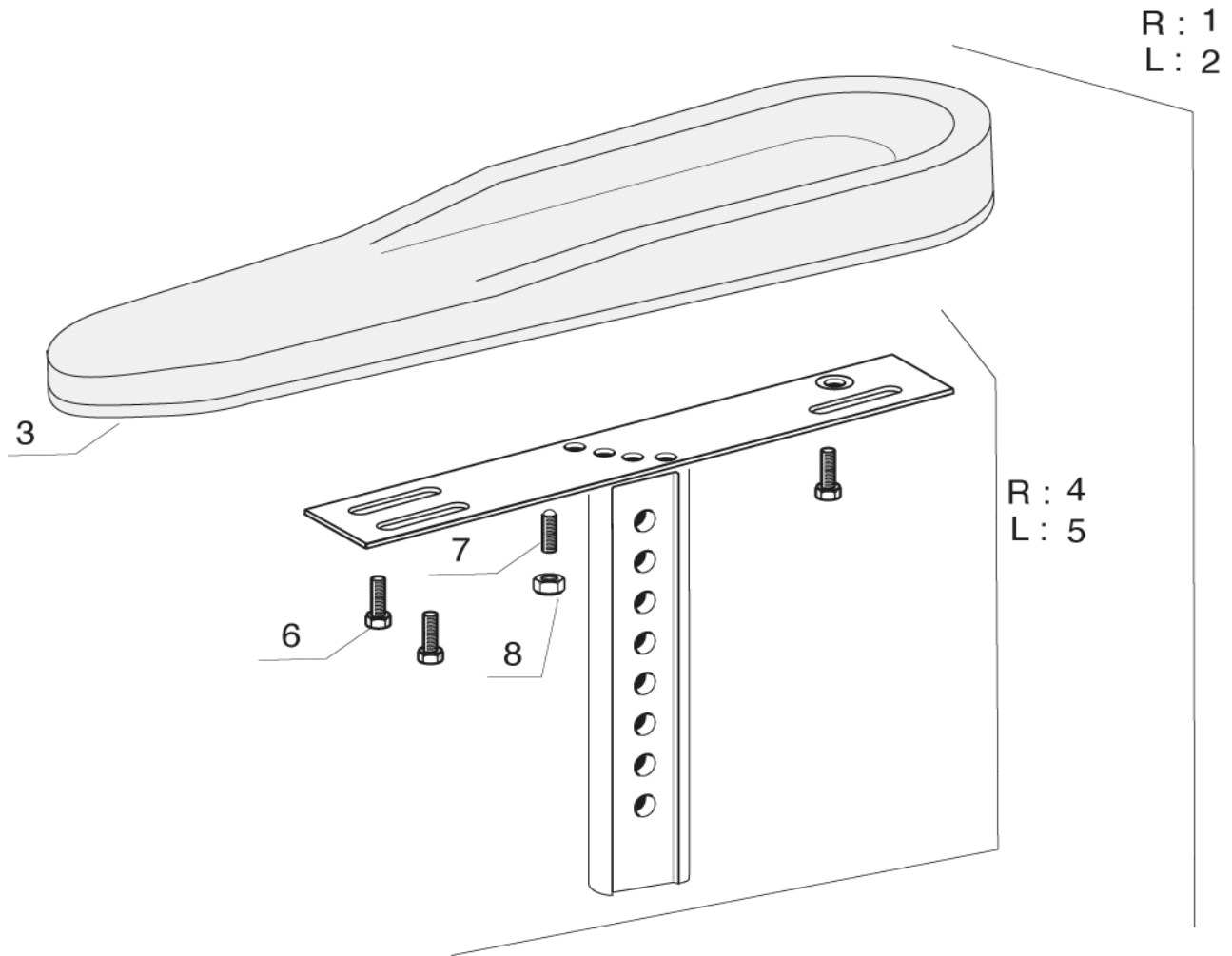
Invacare®
Action4®

Hemi Motion Armpad Multi Adjustable

A

07 / 06

33



REP.	CODE	DESCRIPTION	VE000248
1	1493219	RH HEMI DARTEX ARMPAD ASSY	
2	1493220	Lh Hemi Dartex Armpad Assy	
3	1493251	HEMI DARTEX ARMPAD	
4	1494005	RH HEMI DARTEX MULTIPOSITION SUPPORT	
5	1494006	LH HEMI DARTEX MULTIPOSITION SUPPORT	
6	0029-40212	M6 X 16 CBHC SCREW	
7	1424571	BALL SCREW M10 X 23	
8	1493218	M10 LOWER NUT	



Invacare®
Action4®

Hemi Dartex Armpad Multiposition

A

07 / 06

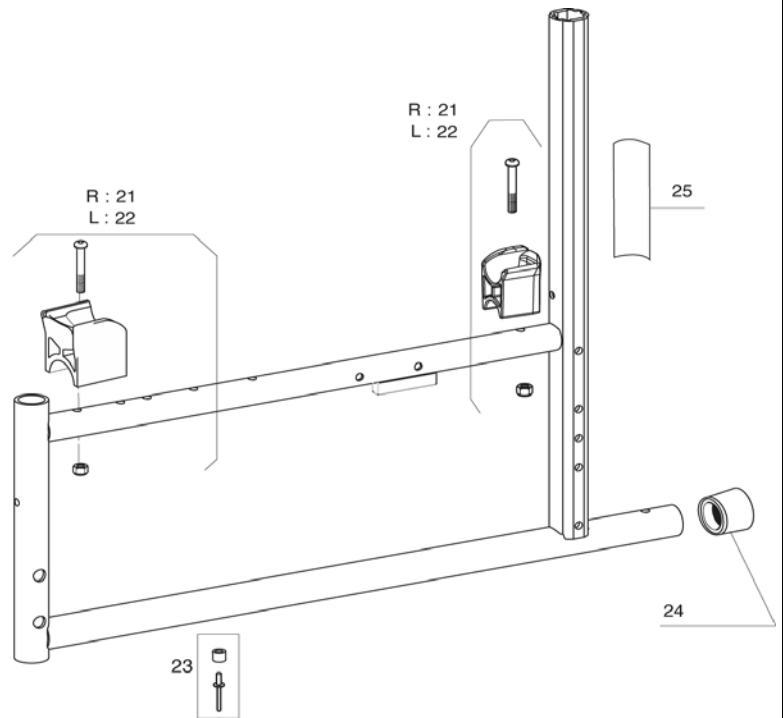
34

SECTION B

Side frame fixed backrest	p. 36
Side frame recliner backrest	p. 37
Folding system	p. 38



		40 cm	45 cm
Dark red	R :	1	11
	L :	2	12
Sapphir blue	R :	3	13
	L :	4	14
Anthracite black	R :	5	15
	L :	6	16
Pearl grey	R :	7	17
	L :	8	18
Emerald green	R :	9	19
	L :	10	20



REP.	CODE	DESCRIPTION	VE000258
1	1449633-0607	A4 SIDE FRAME STANDARD RH D 40CM DARK RED	
2	1449685-0607	A4 SIDE FRAME STANDARD LH D 40CM DARK RED	
3	1449633-0608	A4 SIDE FRAME STANDARD RH D 40CM SAPPHIRE BLUE	
4	1449685-0608	A4 SIDE FRAME STANDARD LH D 40CM SAPPHIRE BLUE	
5	1449633-0609	A4 SIDE FRAME STANDARD RH D 40CM ANTHRACITE BLACK	
6	1449685-0609	A4 SIDE FRAME STANDARD LH D 40CM ANTHRACITE BLACK	
7	1449633-0515	A4 SIDE FRAME STANDARD RH D 40CM PEARL GREY	
8	1449685-0515	A4 SIDE FRAME STANDARD LH D 40CM PEARL GREY	
9	1449633-0612	A4 SIDE FRAME STANDARD RH D 40CM EMERALD GREN	
10	1449685-0612	A4 SIDE FRAME STANDARD LH D 40CM EMERALD GREEN	
11	1443297-0607	A4 SIDE FRAME STANDARD RH D 45CM DARK RED	
12	1443299-0607	A4 SIDE FRAME STANDARD LH D 45CM DARK RED	
13	1443297-0608	A4 SIDE FRAME STANDARD RH D 45CM SAPPHIRE BLUE	
14	1443299-0608	A4 SIDE FRAME STANDARD LH D 45CM SAPPHIRE BLUE	
15	1443297-0609	A4 SIDE FRAME STANDARD RH D 45CM ANTHRACITE BLACK	
16	1443299-0609	A4 SIDE FRAME STANDARD LH D 45CM ANTHRACITE BLACK	
17	1443297-0515	A4 SIDE FRAME STANDARD RH D 45CM PEARL GREY	
18	1443299-0515	A4 SIDE FRAME STANDARD LH D 45CM PEARL GREY	
19	1443297-0612	A4 SIDE FRAME STANDARD RH D 45CM EMERALD GREEN	
20	1443299-0612	A4 SIDE FRAME STANDARD LH D 45CM EMERALD GREEN	
21	1434127	CROSS BRACE SUPPORT KIT RH	
22	1434128	CROSS BRACE SUPPORT KIT LH	
23	1492760	A4 CROSS BRACE RIVET & WASHER KIT	
24	0021N05386	1' CAP	
25	1444909	FIXED BACKREST LABEL	



Invacare®
Action4®

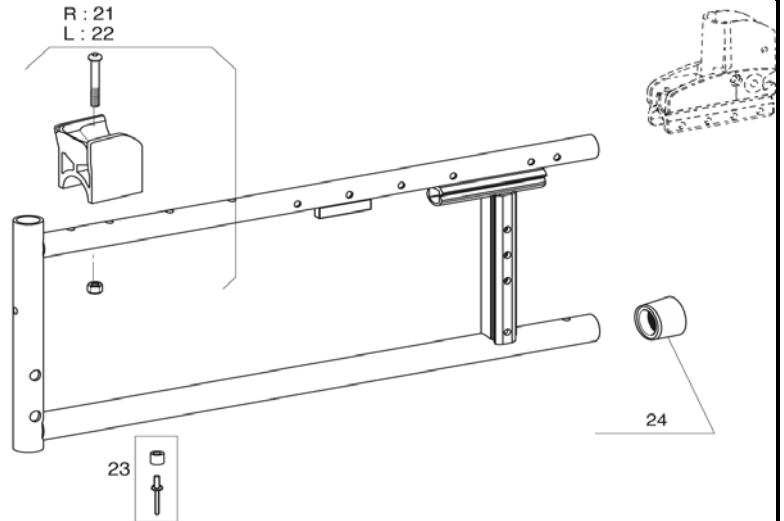
Side Frame Fixed Backrest

B

07 / 06

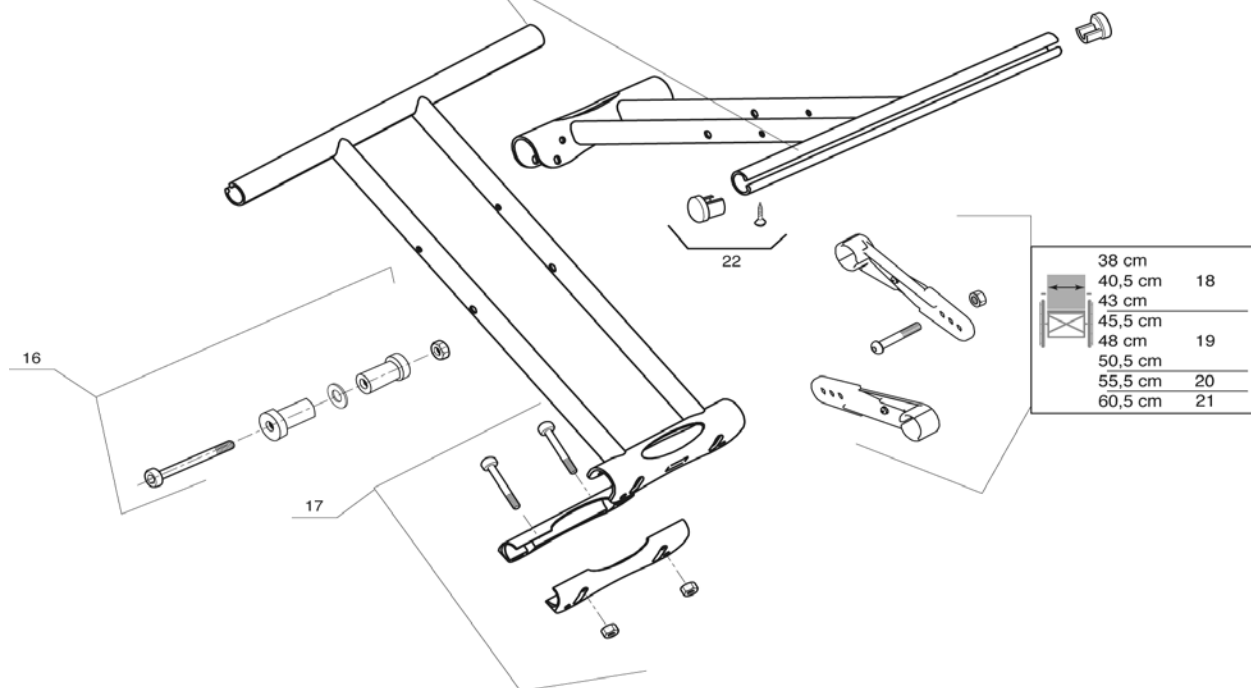
36

		40 cm	45 cm
Dark red	R :	1	11
	L :	2	12
Sapphir blue	R :	3	13
	L :	4	14
Anthracite black	R :	5	15
	L :	6	16
Pearl grey	R :	7	17
	L :	8	18
Pearl grey	R :	9	19
	L :	10	20



REP.	CODE	DESCRIPTION	VE000069
1	1444698-0607	A4 SIDE FRAME RECLINER RH D 40CM DARK RED	
2	1444700-0607	A4 SIDE FRAME RECLINER LH D 40CM DARK RED	
3	1444698-0608	A4 SIDE FRAME RECLINER RH D 40CM SAPPHIRE BLUE	
4	1444700-0608	A4 SIDE FRAME RECLINER LH D 40CM SAPPHIRE BLUE	
5	1444698-0609	A4 SIDE FRAME RECLINER RH D 40CM ANTHRACITE BLACK	
6	1444700-0609	A4 SIDE FRAME RECLINER LH D 40CM ANTHRACITE BLACK	
7	1444698-0515	A4 SIDE FRAME RECLINER RH D 40CM PEARL GREY	
8	1444700-0515	A4 SIDE FRAME RECLINER LH D 40CM PEARL GREY	
9	1444698-0612	A4 SIDE FRAME RECLINER RH D 40CM EMERALD GREEN	
10	1444700-0612	A4 SIDE FRAME RECLINER LH D 40CM EMERALD GREEN	
11	1449765-0607	A4 SIDE FRAME RECLINER RH D 45CM DARK RED	
12	1449767-0607	A4 SIDE FRAME RECLINER LH D 45CM DARK RED	
13	1449765-0608	A4 SIDE FRAME RECLINER RH D 45CM SAPPHIRE BLUE	
14	1449767-0608	A4 SIDE FRAME RECLINER LH D 45CM SAPPHIRE BLUE	
15	1449765-0609	A4 SIDE FRAME RECLINER RH D 45CM ANTHRACITE BLACK	
16	1449767-0609	A4 SIDE FRAME RECLINER LH D 45CM ANTHRACITE BLACK	
17	1449765-0515	A4 SIDE FRAME RECLINER RH D 45CM PEARL GREY	
18	1449767-0515	A4 SIDE FRAME RECLINER LH D 45CM PEARL GREY	
19	1449765-0612	A4 SIDE FRAME RECLINER RH D 45CM EMERALD GREEN	
20	1449767-0612	A4 SIDE FRAME RECLINER LH D 45CM EMERALD GREEN	
21	1434127	CROSS BRACE SUPPORT KIT RH	
22	1434128	CROSS BRACE SUPPORT KIT LH	
23	1492760	A4 CROSS BRACE RIVET & WASHER KIT	
24	0021N05386	1' CAP	

	40 cm	45 cm
38 cm	1	8
40,5 cm	2	9
43 cm	3	10
45,5 cm	4	11
48 cm	5	12
50,5 cm	6	13
55,5 cm	7	14
60,5 cm	-	15



REP.	CODE	DESCRIPTION	VE000055
1	1449961	A4 CROSS BRACE COMPLETE (PAIR) W 38CM X D 40CM	
2	1449789	A4 CROSS BRACE COMPLETE (PAIR) W 40,5CM X D 40CM	
3	1449790	A4 CROSS BRACE COMPLETE (PAIR) W 43CM X D 40CM	
4	1449791	A4 CROSS BRACE COMPLETE (PAIR) W 45,5CM X D 40CM	
5	1449792	A4 CROSS BRACE COMPLETE (PAIR) W 48CM X D 40CM	
6	1449793	A4 CROSS BRACE COMPLETE (PAIR) W 50,5CM X D 40CM < 07/2006	
6	1488618	A4 CROSS BRACE COMPLETE (PAIR) W 50,5CM X D 40CM > 07/2006	
7	1488620	A4 CROSS BRACE COMPLETE HEAVY(PAIR) W 55,5CM X D 40CM	
8	1449794	A4 CROSS BRACE COMPLETE (PAIR) W 38CM X D 45CM	
9	1449795	A4 CROSS BRACE COMPLETE (PAIR) W 40,5CM X D 45CM	
10	1449796	A4 CROSS BRACE COMPLETE (PAIR) W 43CM X D 45CM	
11	1449797	A4 CROSS BRACE COMPLETE (PAIR) W 45,5CM X D 45CM	
12	1449798	A4 CROSS BRACE COMPLETE (PAIR) W 48CM X D 45CM	
13	1449799	A4 CROSS BRACE COMPLETE (PAIR) W 50,5CM X D 45CM < 07/2006	
13	1488619	A4 CROSS BRACE COMPLETE (PAIR) W 50,5CM X D 45CM > 07/2006	
14	1488621	A4 CROSS BRACE COMPLETE HEAVY(PAIR) W 55,5CM X D 45CM	
15	1488622	A4 CROSS BRACE COMPLETE HEAVY(PAIR) W 60,5CM X D 45CM	
16	1451684	A4 CROSS BRACE AXLE KIT	
17	1451679	A4 CROSS BRACE SLEEVE	
18	1451680	CROSS BRACE STRUT 38-43CM	
19	1451681	CROSS BRACE STRUT 45,5-50,5CM	
20	1488638	CROSS BRACE STRUT 55,5CM	
21	1451335	CROSS BRACE STRUT 60,5CM	
22	1431307	SEAT END CAP KIT	



Invacare®
Action4®

A4 Folding System

B

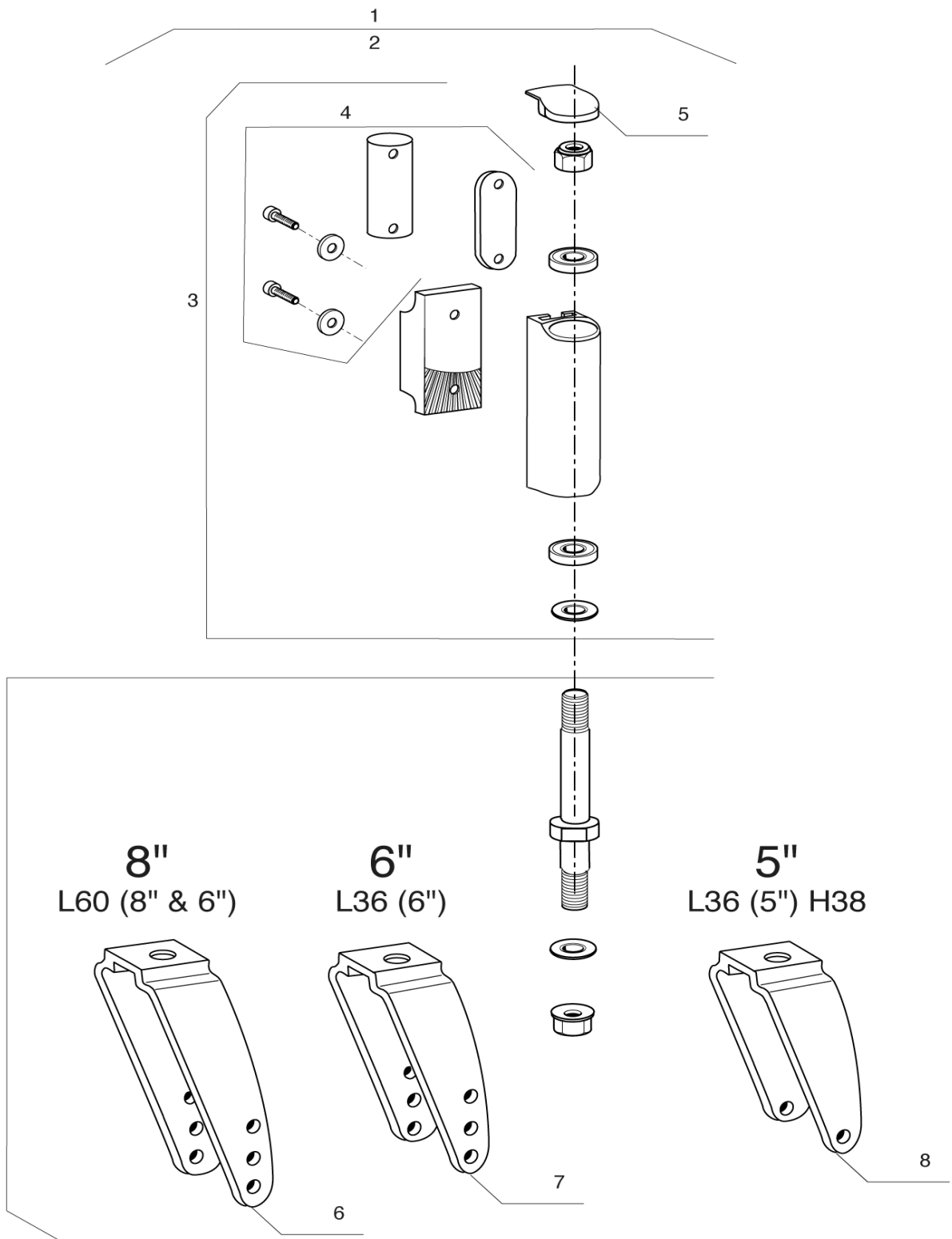
07 / 06

38

SECTION C

Forks	p. 40
8" front castors	p. 41
6" & 5" front castors	p. 42





REP.	CODE	DESCRIPTION	VE000259
1	1450025	COMPLETE FORK KIT L60 (8" & 6")	
2	1450026	COMPLETE 6" FORK KIT L36	
3	1444804	FORK SUPPORT KIT A3-A4	
4	1450028	FORK FIXATION KIT A3-A4	
5	1449245	FORK PLASTIC CAP	
6	1444802	8" FORK KIT L60	
7	1444803	6" FORK KIT L36	
8	1451775	5" FORK KIT L36	



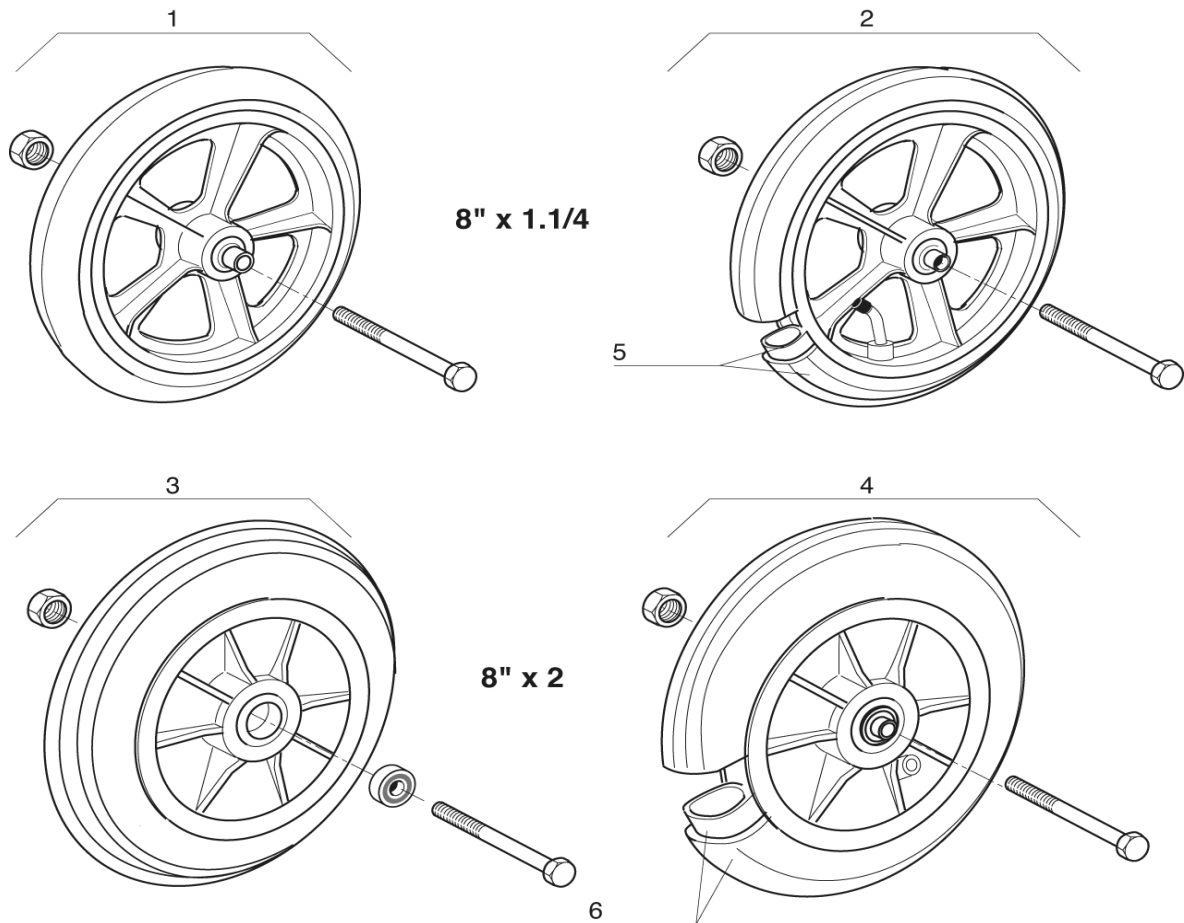
Invacare®
Action4®

Forks

C

07 / 06

40



REP.	CODE	DESCRIPTION	VE000084
1	0572-02013	8' x 1.1/4 CASTOR SOLID TYRE COMPLETE	
2	0572-01859	8' x 1.1/4 CASTOR PNEUMATIC TYRE COMPLETE	
3	1430873	8' x 1.1/4 PNEUMATIC + INNER TUBE	
4	0572-06128	8' x 2' CASTOR SOLID TYRE COMPLETE	
5	0572-02071	8' x 2' CASTOR PNEUMATIC TYRE COMPLETE	
6	1430874	8' x 2' PNEUMATIC + INNER TUBE	



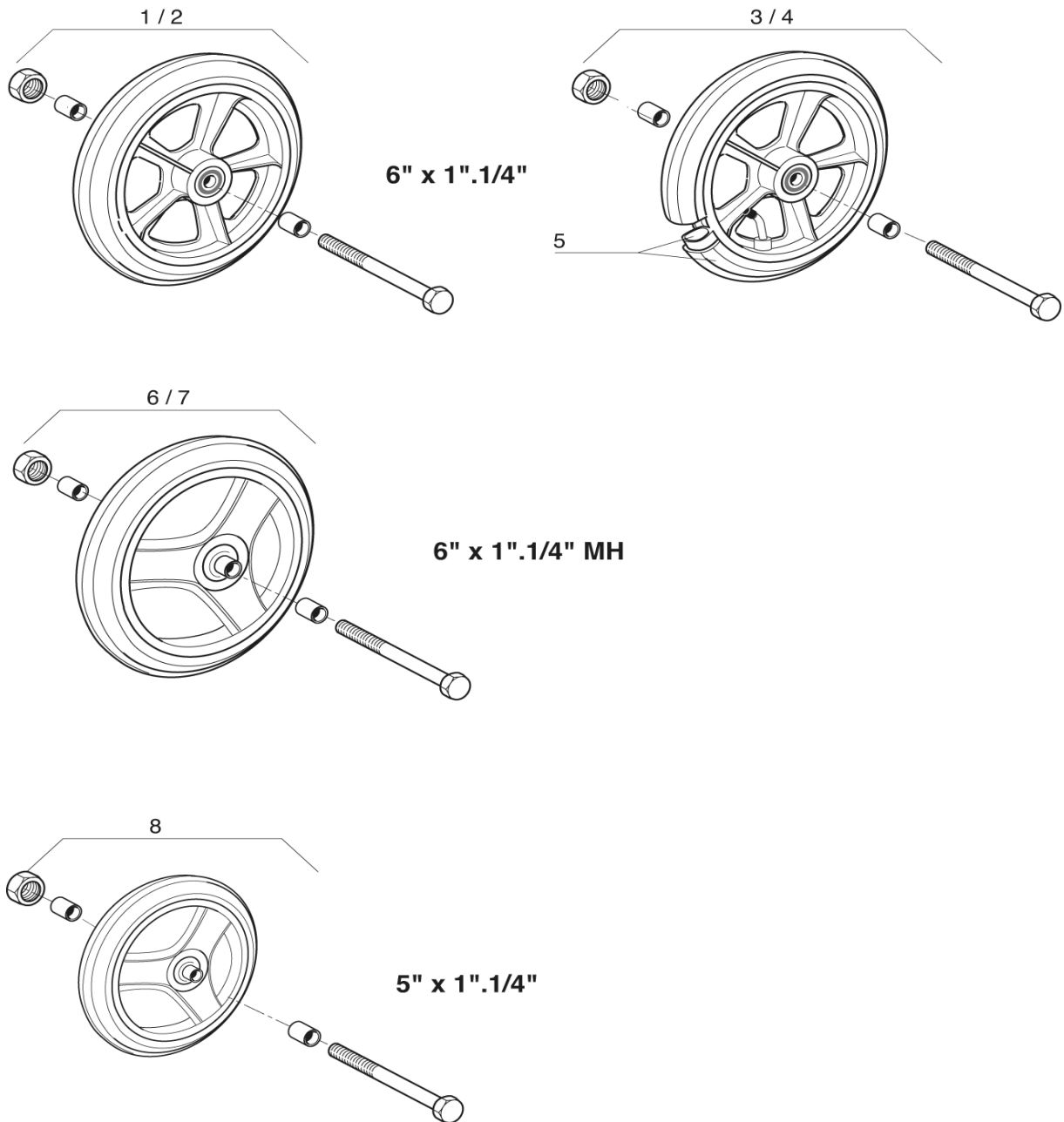
Invacare®
Action4®

8" Front Castors

C

07 / 06

41



REP.	CODE	DESCRIPTION	VE000056
1	1450174	A4 6" CASTOR SOLID TYPE COMPLETE L : 60 mm	
2	1428895	A4 6" CASTOR SOLID TYPE COMPLETE L : 36 mm	
3	1450175	A4 6" CASTOR PNEUMATIC TYPE COMPLETE L : 60 mm	
4	1428894	A4 6" CASTOR PNEUMATIC TYPE COMPLETE L : 36 mm	
5	1431275	6" X 1.1/4" PNEUMATIC + INNER TUBE	
6	1450176	A4 6" CASTOR MEDIUM HARD TYPE COMPLETE L : 60 mm	
7	1450622	A4 6" CASTOR MEDIUM HARD TYPE COMPLETE L : 36 mm	
8	1450173	A4 5" CASTOR SOLID TYPE COMPLETE L : 36 mm	



Invacare®
Action4®

6" & 5" Front Castors

C

07 / 06

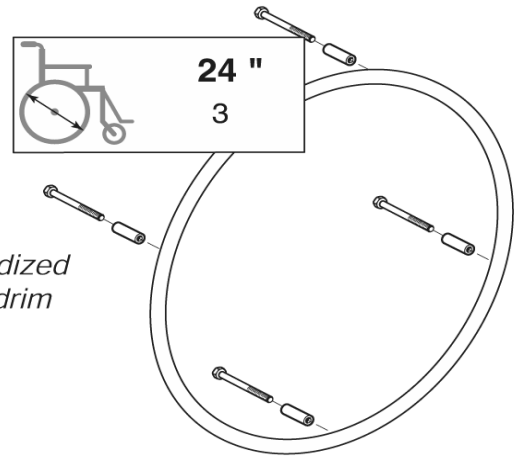
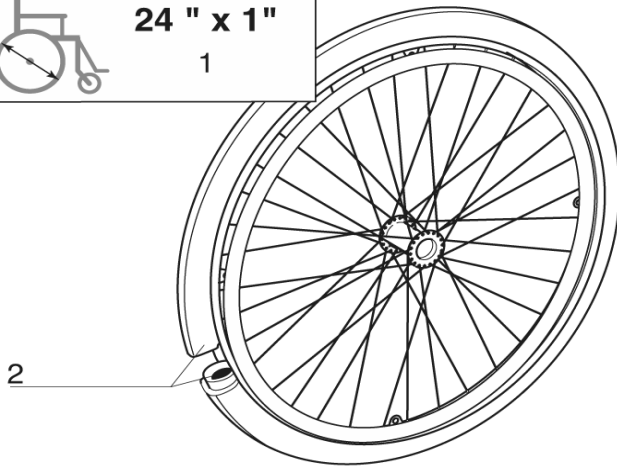
42

SECTION D

24" x1 rear wheels	p. 44
Rear spoked wheels, anodised handrim	p. 45
Rear spoked wheels, non slip handrim	p. 46
Rear composite wheels, non slip handrim	p. 47
Rear composite wheels, anodised handrim	p. 48
QR rear wheel axles	p. 49
Rear wheel supports	p. 50
Pump	p. 51

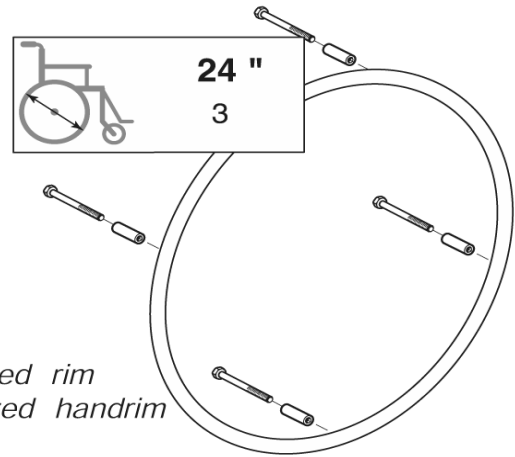
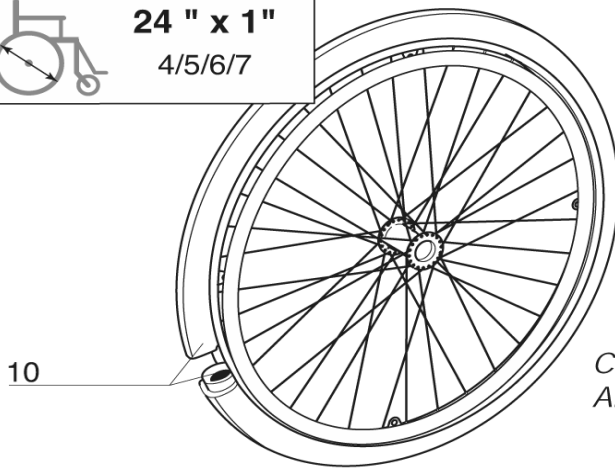


 **24 " x 1"**
1



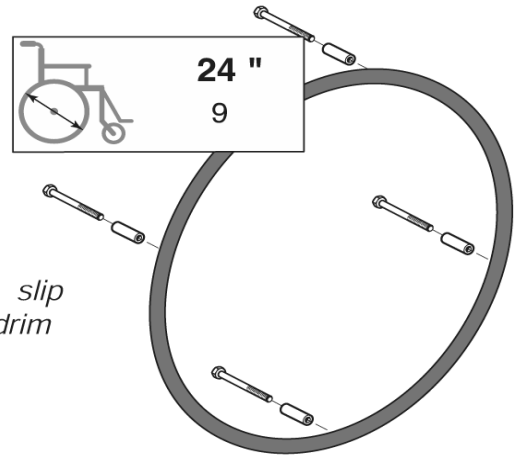
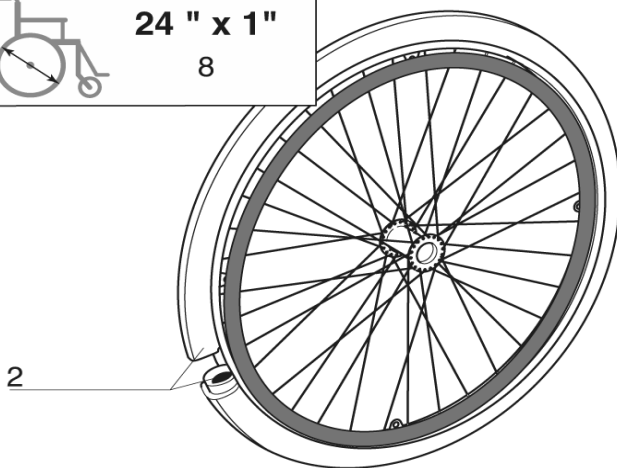
Anodized handrim

 **24 " x 1"**
4/5/6/7



*Coloured rim
Anodized handrim*

 **24 " x 1"**
8



Non slip handrim

REP.	CODE	DESCRIPTION	VE000057
1	1430227	24" x 1" SPOKED + PNEUMATIC TYRE + ANODISED HAND RIM	
2	0572-04532	24" x 1" PNEUMATIC + INNER TUBE	
3	1431314	24" ANODISED HAND RIM 4 FIXATIONS	
4	1430227-0607	24" x 1" SPOKED TYRE DARK RED ANODIZED HAND RIM	
5	1430227-0608	24" x 1" SPOKED TYRE SAPPHIR BLUE ANODIZED HAND RIM	
6	1430227-0609	24" x 1" SPOKED TYRE ANTHRACITE BLACK ANODIZED HAND RIM	
7	1430227-0612	24" x 1" SPOKED TYRE EMERALD GREEN ANODIZED HAND RIM	
8	1430250	24" x 1" SPOKED PNEUMATIC TYRE ANTI SLIP HAND RIM	
9	1431315	24" ANTI SLIP HAND RIM 4 FIXATIONS	
10	1488060	24"X1" NON MARKING PNEUMATIC + INNER TUBE	



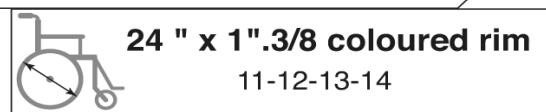
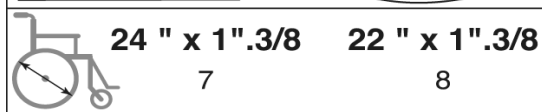
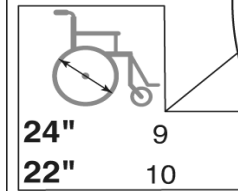
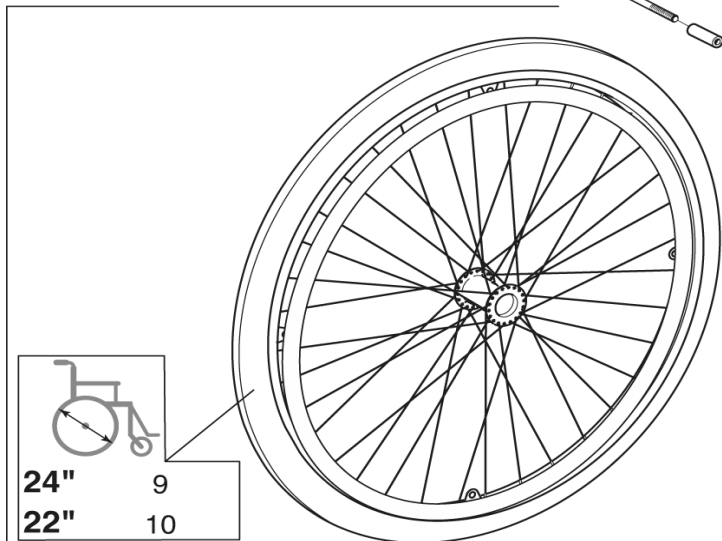
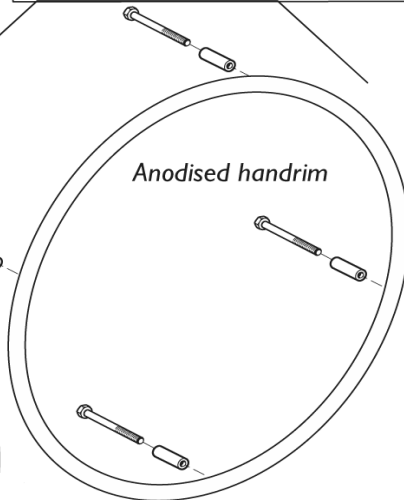
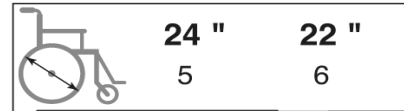
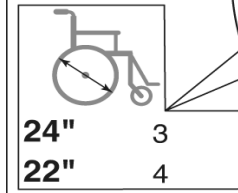
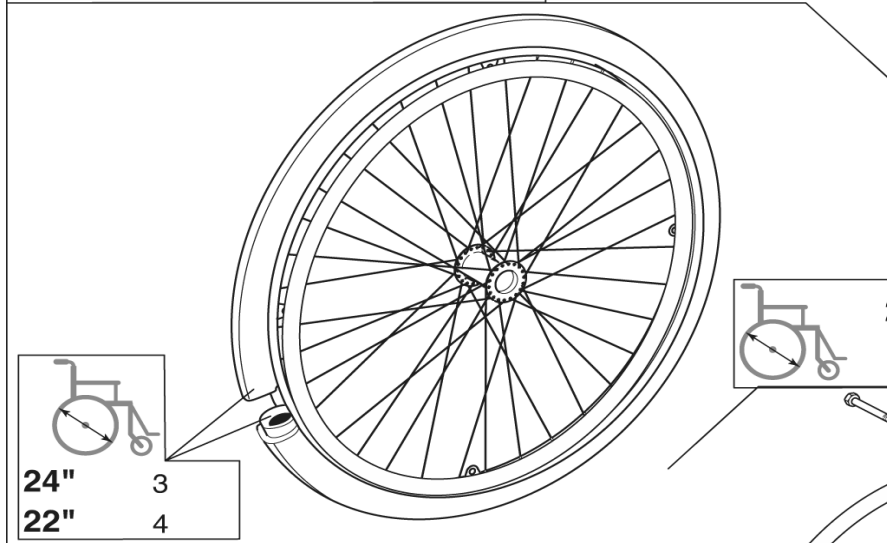
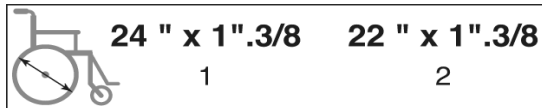
Invacare®
Action4®

24" X 1" Spoked Rear Wheel

D

07 / 06

44



REP.	CODE	DESCRIPTION	VE000058
1	1430189	24" x 1".3/8 SPOKED + PNEUMATIC TYRE + ANODISED HAND RIM	
2	1430190	22" x 1".3/8 SPOKED + PNEUMATIC TYRE + ANODISED HAND RIM	
3	0572-04531	24" x 1".3/8 PNEUMATIC + INNER TUBE	
4	0572-04533	22" x 1".3/8 PNEUMATIC + INNER TUBE	
5	1431314	24" ANODISED HAND RIM 4 FIXATIONS	
6	1431320	24" ANODISED HAND RIM 4 FIXATIONS	
7	1430191	24" x 1".3/8 SPOKED + SOLID TYRE + ANODISED HAND RIM	
8	1430192	22" x 1".3/8 SPOKED + SOLID TYRE + ANODISED HAND RIM	
9	0036-10013	24" x 1".3/8 GREY SOLID TYRE	
10	0036-10014	22" x 1".3/8 GREY SOLID TYRE	
11	1430191-0607	24" x 1".3/8 SPOKED SOLID TYRE DARK RED ANODIZED HAND RIM	
12	1430191-0608	24" x 1".3/8 SPOKED SOLID TYRE SAPPHIR BLUE ANODIZED HAND RIM	
13	1430191-0609	24" x 1".3/8 SPOKED SOLID TYRE ANTHRACITE BLACK ANODIZED HAND RIM	
14	1430191-0612	24" x 1".3/8 SPOKED SOLID TYRE EMERALD GREEN ANODIZED HAND RIM	



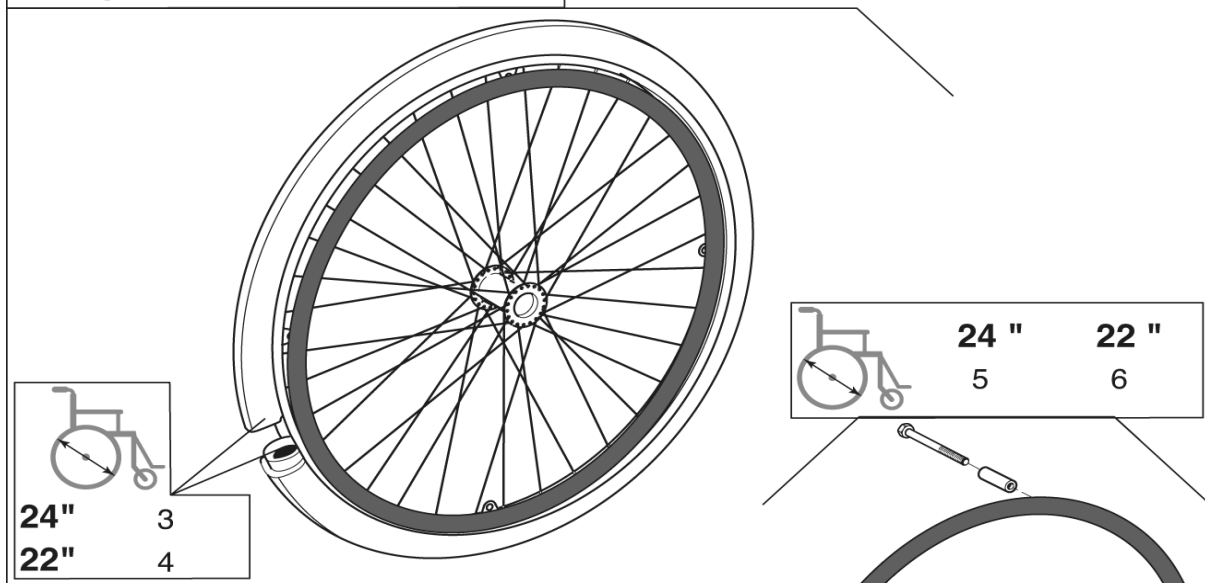
Invacare®
Action4®

Rear Spoked Wheels Anodized Handrim

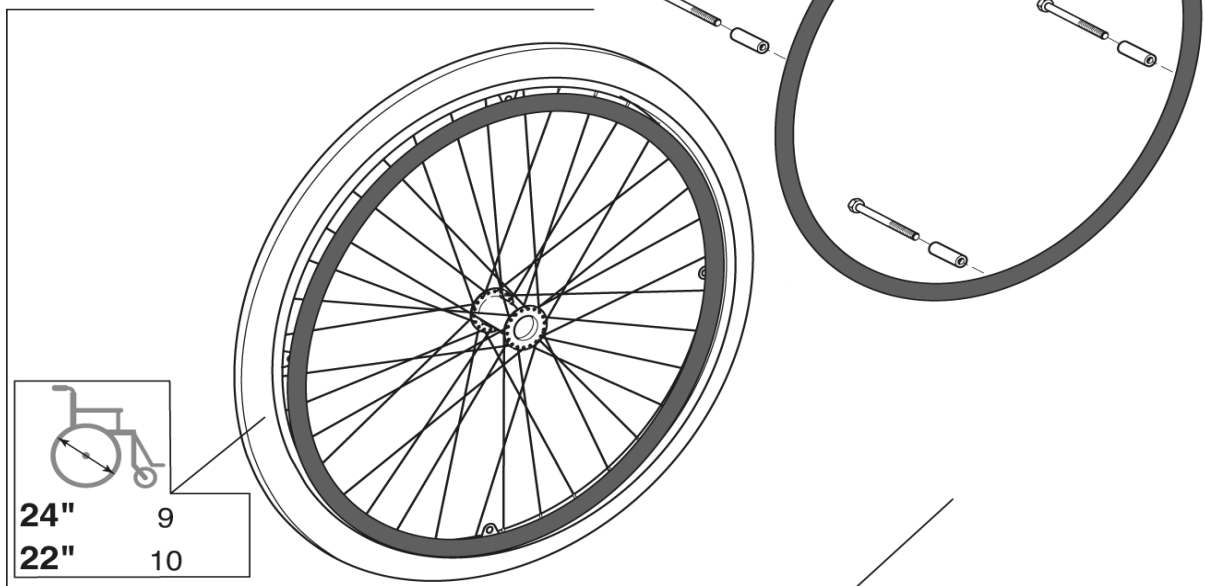
D

07 / 06

45



Non slip handrim



REP.	CODE	DESCRIPTION	VE000080
1	1430234	24' x 1.3/8 SPOKED + PNEUMATIC TYRE + ANTI SLIP HAND RIM	
2	1430235	22' x 1.3/8 SPOKED + PNEUMATIC TYRE + ANTI SLIP HAND RIM	
3	0572-04531	24' x 1.3/8 PNEUMATIC + INNER TUBE	
4	0572-04533	22' x 1.3/8 PNEUMATIC + INNER TUBE	
5	1431315	24' ANTI SLIP HAND RIM 4 FIXATIONS	
6	1430419	22' ANTI SLIP HAND RIM 4 FIXATIONS	
7	1430236	24' x 1.3/8 SPOKED + SOLID TYRE + ANTI SLIP HAND RIM	
8	1430241	22' x 1.3/8 SPOKED + SOLID TYRE + ANTI SLIP HAND RIM	
9	0036-10013	24' x 1.3/8 GREY SOLID TYRE	
10	0036-10014	22' x 1.3/8 GREY SOLID TYRE	



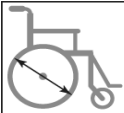
Invacare®
Action4®

Rear Spoked Wheels Non Slip Handrim

D

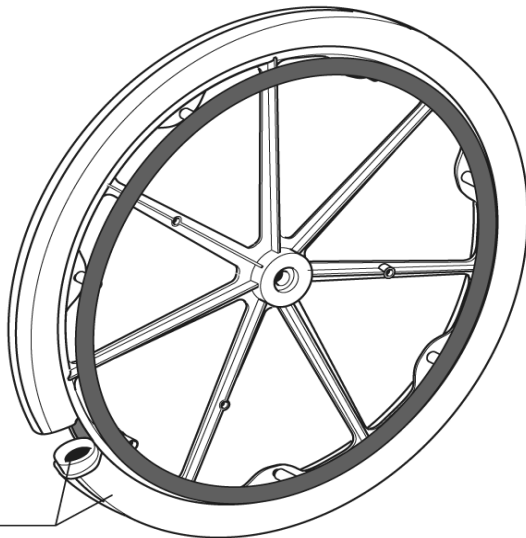
07 / 06

46



24 " x 1.3/8

1

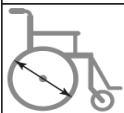
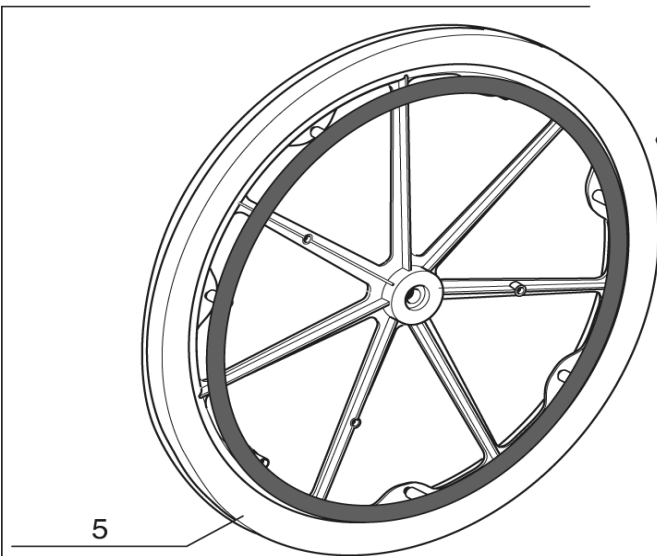
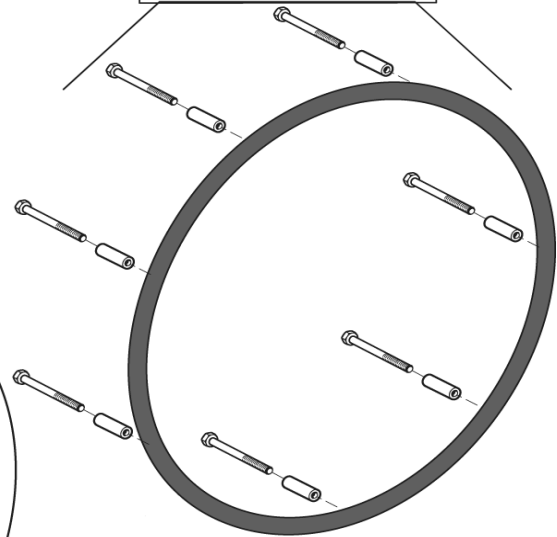


Non slip handrim



24 "

3



24 " x 1.3/8

4

REP.	CODE	DESCRIPTION	VE000079
1	0572-05193	24' x 1.3/8 COMPOSITE + PNEUMATIC TYRE + ANT SLIP HAND RIM	
2	0572-04531	24' x 1.3/8 PNEUMATIC + INNER TUBE	
3	1431318	24' ANTI SLIP HAND RIM 7 FIXATIONS	
4	0572-05195	24' x 1.3/8 COMPOSITE + SOLID TYRE + ANT SLIP HAND RIM	
5	0036-10013	24' x 1.3/8 GREY SOLID TYRE	



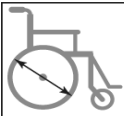
Invacare®
Action4®

Rear Composite Wheels Non Slip
Handrim

D

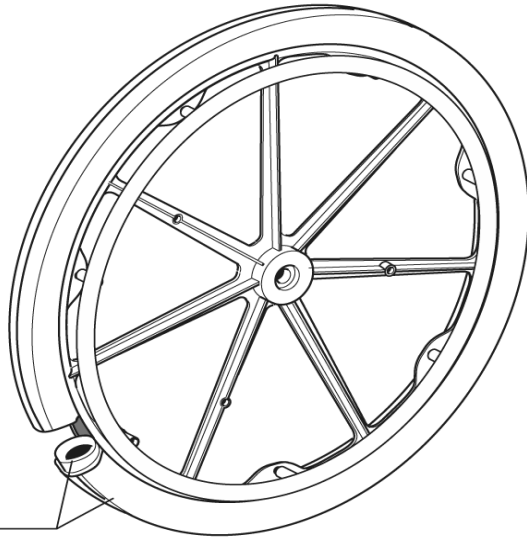
07 / 06

47



24 " x 1.3/8

1

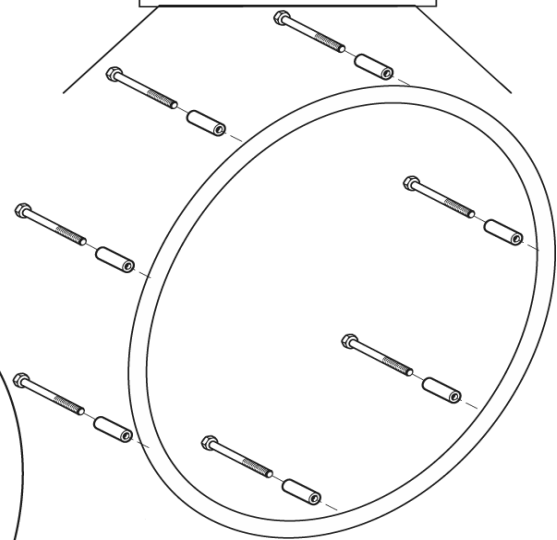


Anodised handrim



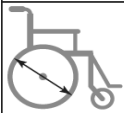
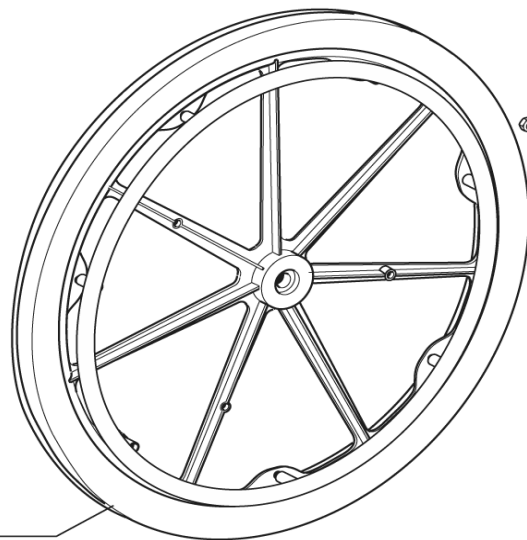
24 "

3



2

5



24 " x 1.3/8

4

REP.	CODE	DESCRIPTION	VE000078
1	0572-05909	24' x 1.3/8 COMPOSITE + SOLID TYRE + ANODISED RIM	
2	0572-04531	24' x 1.3/8 PNEUMATIC + INNER TUBE	
3	1431317	24' ANODISED HAND RIM 7 FIXATIONS	
4	0572-05908	24' x 1.3/8 COMPOSITE + PNEUMATIC TYRE + ANODISED RIM	
5	0036-10013	24' x 1.3/8 GREY SOLID TYRE	



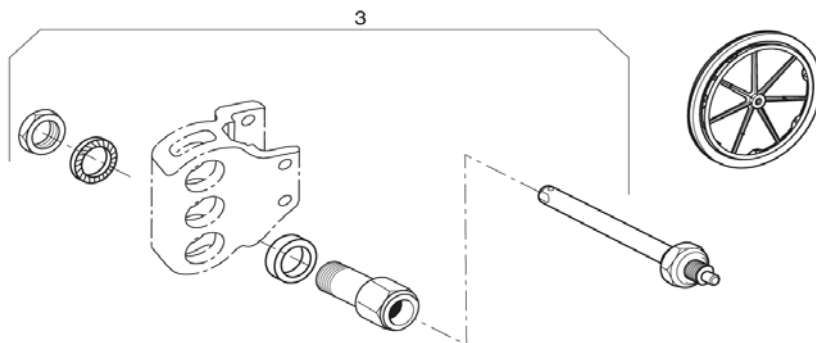
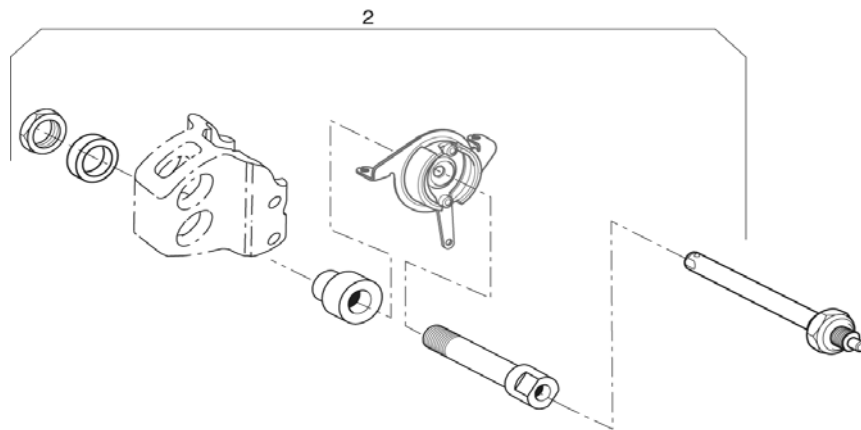
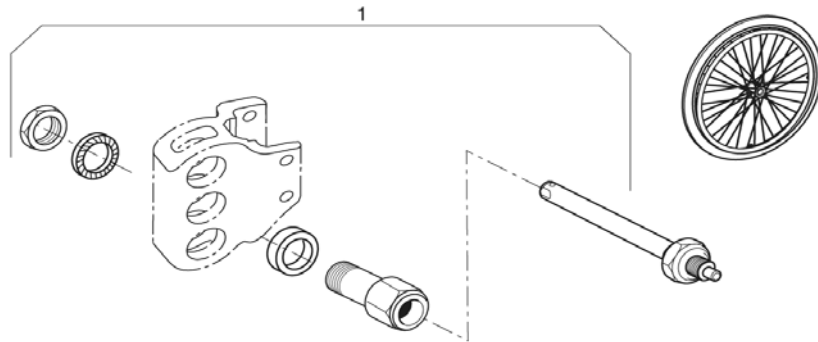
Invacare®
Action4®

Rear Composite Wheels Anodized
Handrim

D

07 / 06

48



REP.	CODE	DESCRIPTION	VE000260
1	1450029	A4 SPOKED WHEEL QUICK RELEASE AXLE	
2	1450105	A4 HUB BRAKE QUICK RELEASE AXLE	
3	1450107	A4 COMPOSITE WHEEL QUICK RELEASE AXLE	



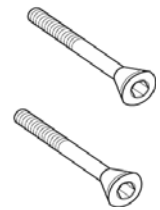
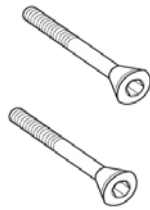
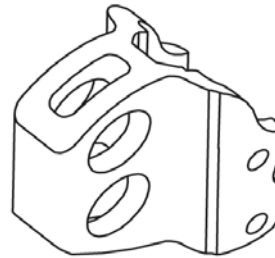
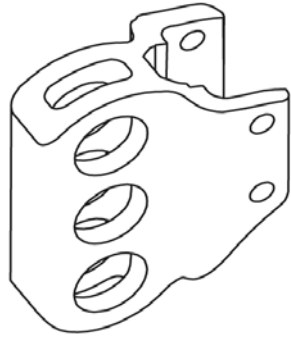
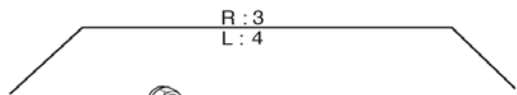
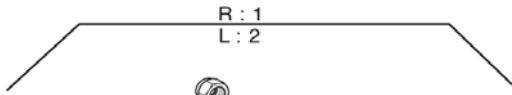
Invacare®
Action4®

Qr Rear Wheels Axles

D

07 / 06

49



REP.	CODE	DESCRIPTION	VE000072
1	1451776	A4 STANDARD REAR WHEEL SUPPORT RH	
2	1451762	A4 STANDARD REAR WHEEL SUPPORT LH	
3	1451763	A4 HUB BRAKE REAR WHEEL SUPPORT RH	
4	1451764	A4 HUB BRAKE REAR WHEEL SUPPORT LH	



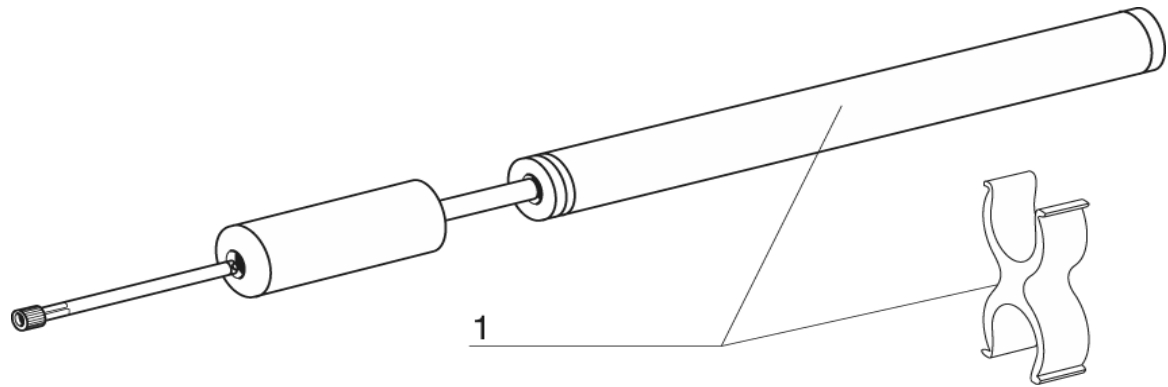
Invacare®
Action4®


Rear Wheel Support

D

07 / 06

50

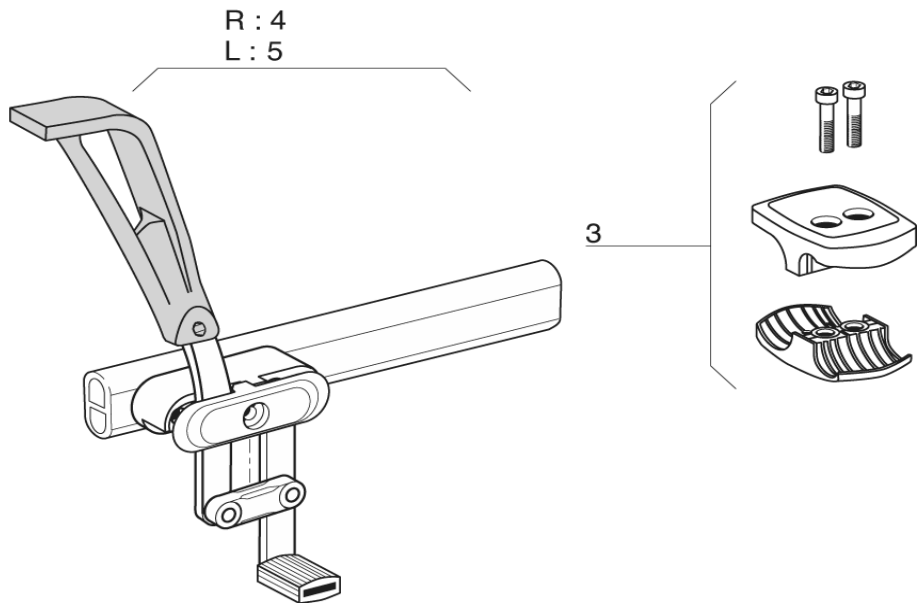
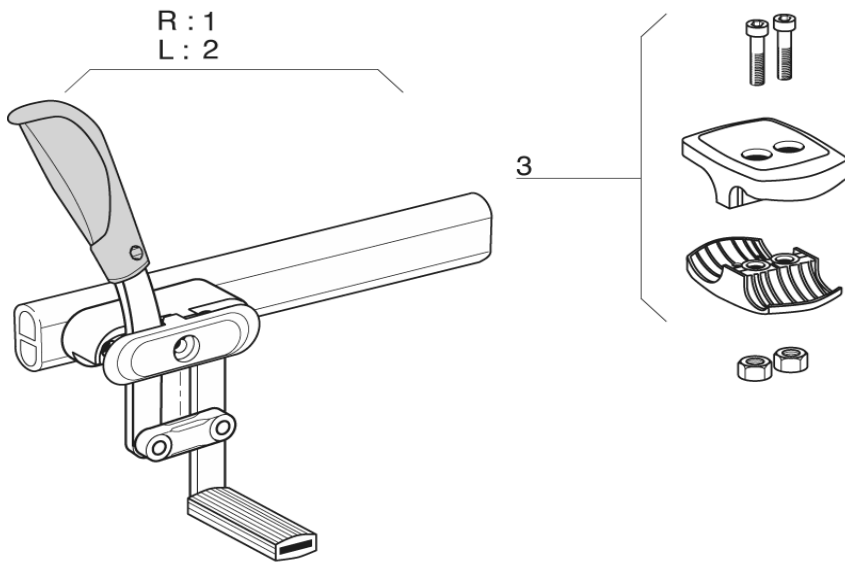


REP.	CODE	DESCRIPTION	VE000076
1	1484715	PUMP AND SUPPORT	
 Invacare® Action4®		Pump	07 / 06
			D 51

SECTION E

Push brakes : standard and with extension	p. 53
Hub brakes	p. 54
OAD wire control brake	p. 55
Wheels for hub brake, anodised handrim	p. 56





REP.	CODE	DESCRIPTION	VE000083
1	1425635	RH PUSH TO LOCK BRAKE	
2	1425634	LH PUSH TO LOCK BRAKE	
3	1423107	COMPLETE BRAKE COMPOSITE CLAMP	
4	1425603	RH COMPLET BRAKE WITH LEVER EXTENSION	
5	1425602	LH COMPLET BRAKE WITH LEVER EXTENSION	



Invacare®
Action4®

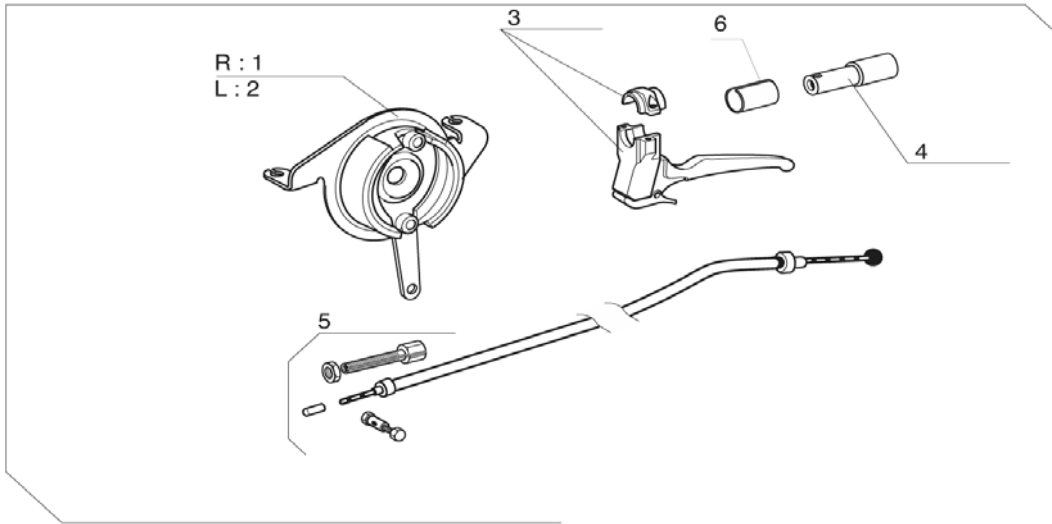
Push Brakes, Stansard & With Extension

E

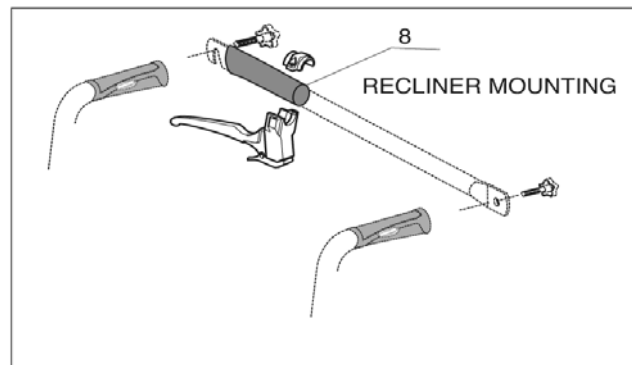
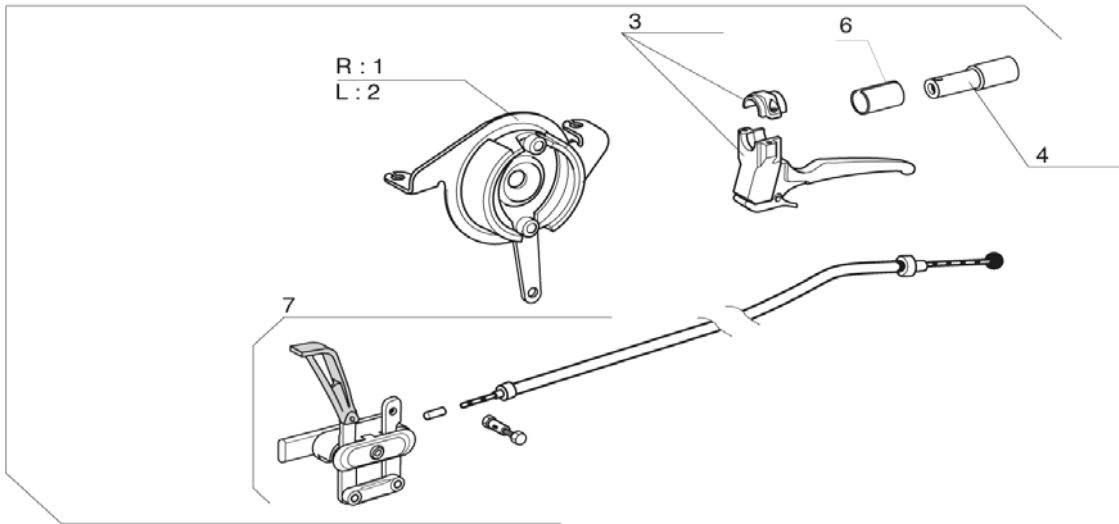
07 / 06

53

9



10



REP.	CODE	DESCRIPTION	VE000059
1	1423292	RH HUB BRAKE PLATE 70MM	
2	1423293	LH HUB BRAKE PLATE 70MM	
3	1420527	BLACK BRAKE LEVER DIA 22MM	
4	1430412	FIXED BACKREST CANE EXTENSION KIT	
5	1431285	ATTENDANT HUB BRAKES COMPLETE MECHANISM (PAIR)	
6	5221363	FIXED BACKREST HUB BRAKE ADAPTATION	
7	1430205	DUAL HUB BRAKES COMPLETE MECHANISM (PAIR)	
8	1434626	BACKBRACE HANDLE	
9	1445674	ATTENDANT HUB BRAKES COMPLET KIT (WITHOUT WHEEL & AXLE)	
10	1445675	DUAL HUB BRAKES COMPLET KIT (WITHOUT WHEEL & AXLE)	



Invacare®
Action4®

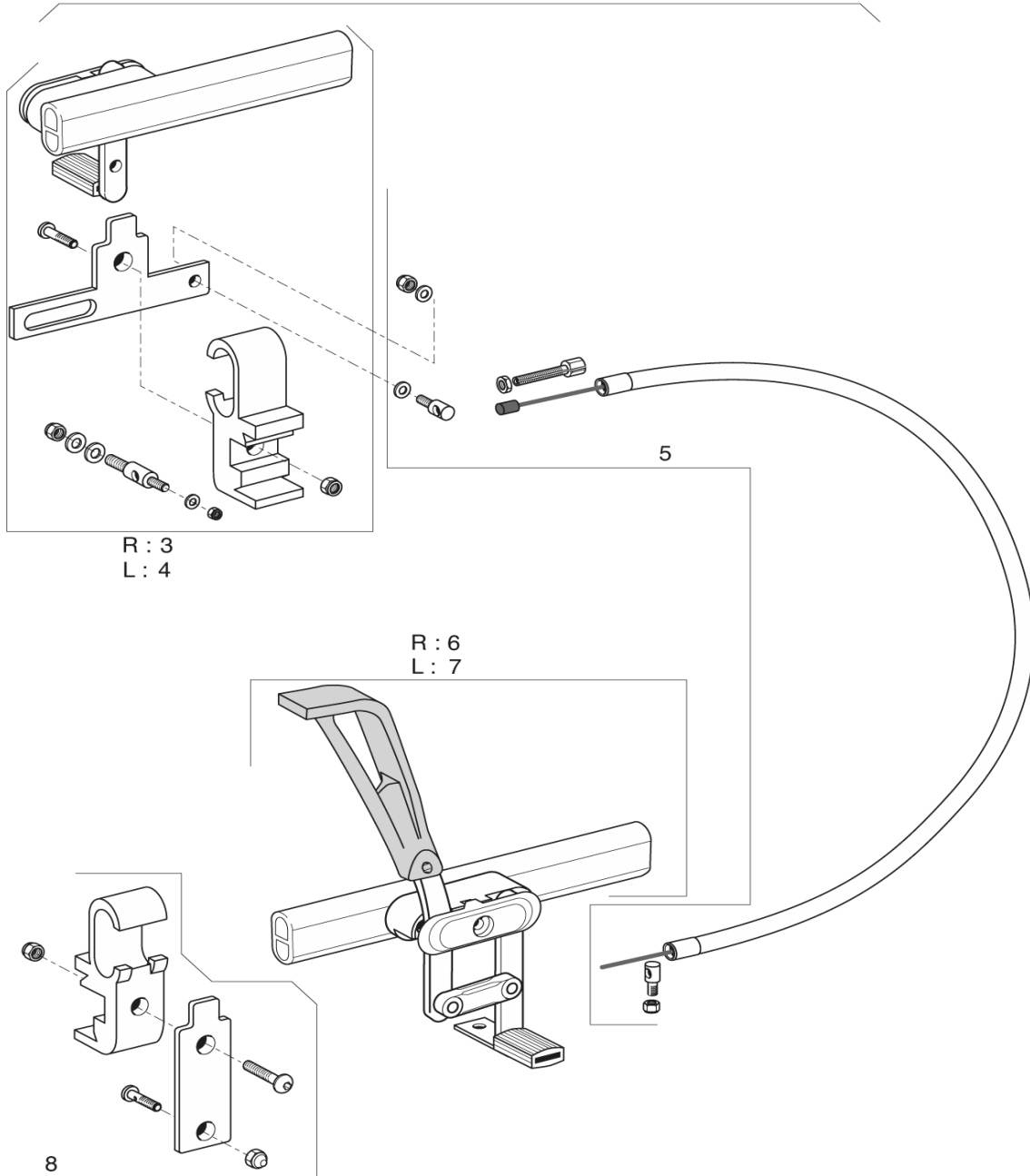
Hub Brakes

E

07 / 06

54

R : 1
L : 2



REP.	CODE	DESCRIPTION	VE000081
1	1430202	RH OAD BRAKE WIRE CONTROLLED	
2	1430203	LH OAD BRAKE WIRE CONTROLLED	
3	1433462	RH WIRE CONTROL BRAKE COMPLETE + CLAMP; LH CONTROL	
4	1433461	LH WIRE CONTROL BRAKE COMPLETE + CLAMP; RH CONTROL	
5	1433464	COMPLET CABLE WIRE CONTROL BRAKE	
6	1430254	RH HEMI BRAKE ACTION3	
7	1430253	LH HEMI BRAKE ACTION3	
8	1433463	WIRE CONTROL BRAKE CLAMP KIT	



Invacare®
Action4®

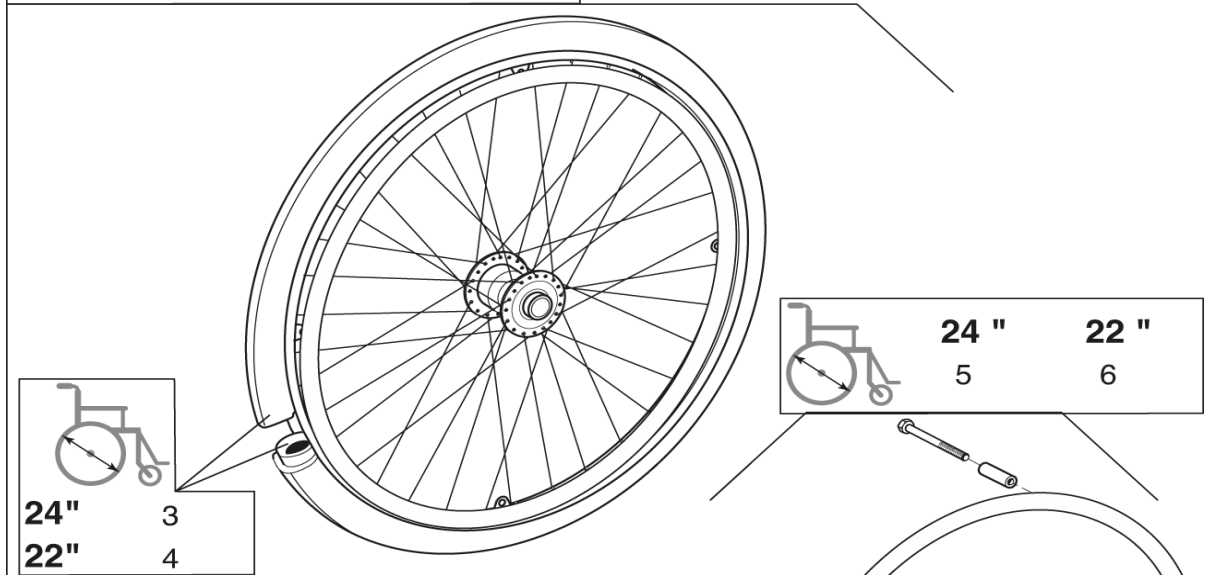
Oad Wire Control Brake

E

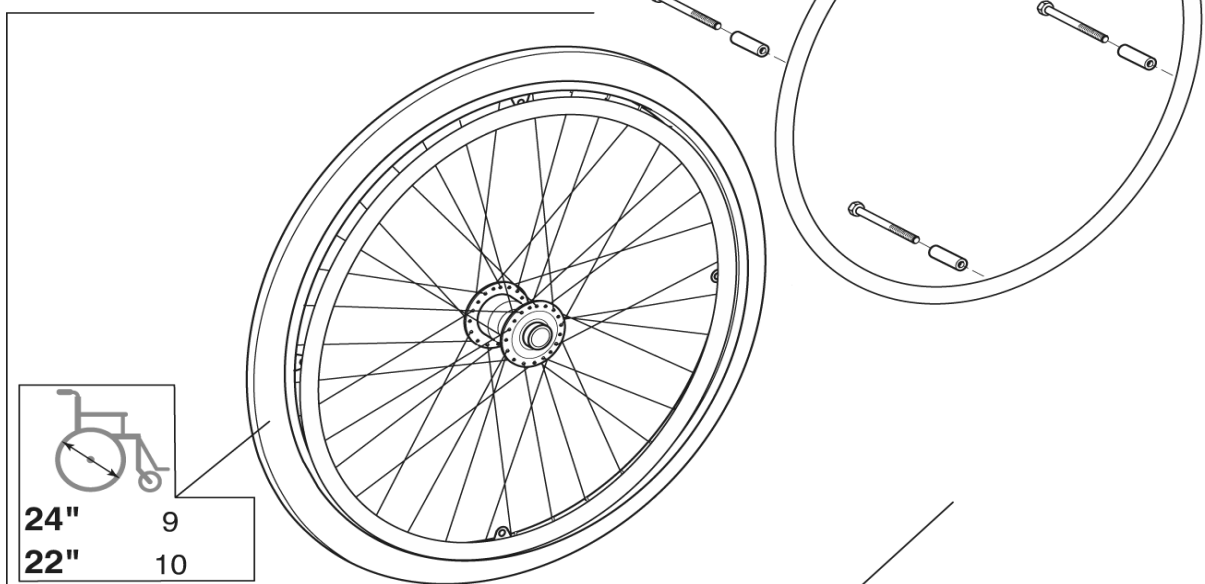
07 / 06

55


24 " x 1.3/8 **22 " x 1.3/8**
 1 2



Anodised handrim



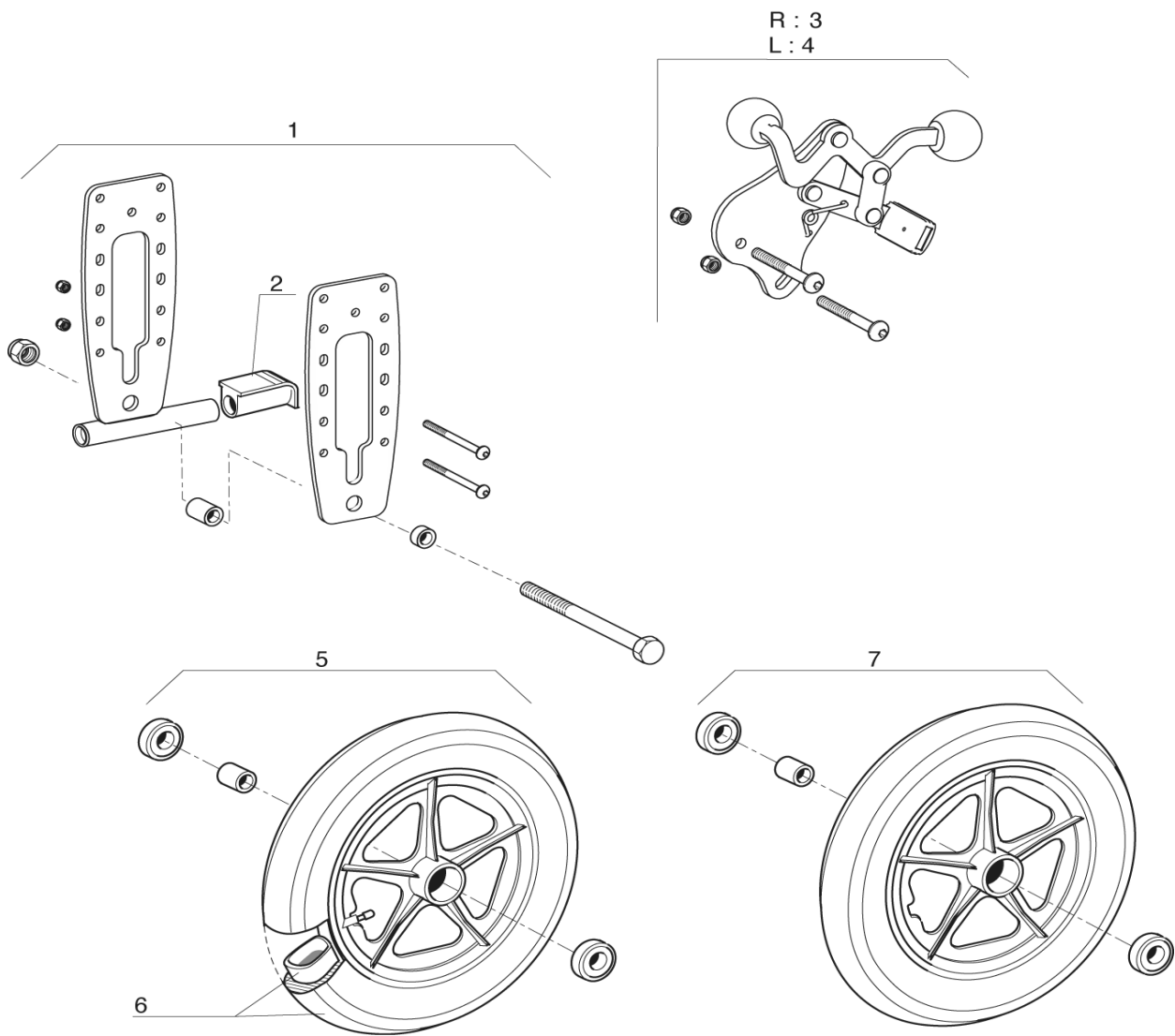

24 " x 1.3/8 **22 " x 1.3/8**
 7 8

REP.	CODE	DESCRIPTION	VE000077
1	1420550	24' HUB BRAKE SPOKED WHEEL + PNEUMATIC TYRE	
2	1432607	22' HUB BRAKE SPOKED WHEEL + PNEUMATIC TYRE	
3	0572-04531	24' x 1.3/8 PNEUMATIC + INNER TUBE	
4	0572-04533	22' x 1.3/8 PNEUMATIC + INNER TUBE	
5	1431314	24' ANODISED HAND RIM 4 FIXATIONS	
6	1431320	22' ANODISED HAND RIM 4 FIXATIONS	
7	1420551	24' HUB BRAKE SPOKED WHEEL + SOLID TYRE	
8	1432606	22' HUB BRAKE SPOKED WHEEL + SOLID TYRE	
9	0036-10013	24' x 1.3/8 GREY SOLID TYRE	
10	0036-10014	22' x 1.3/8 GREY SOLID TYRE	

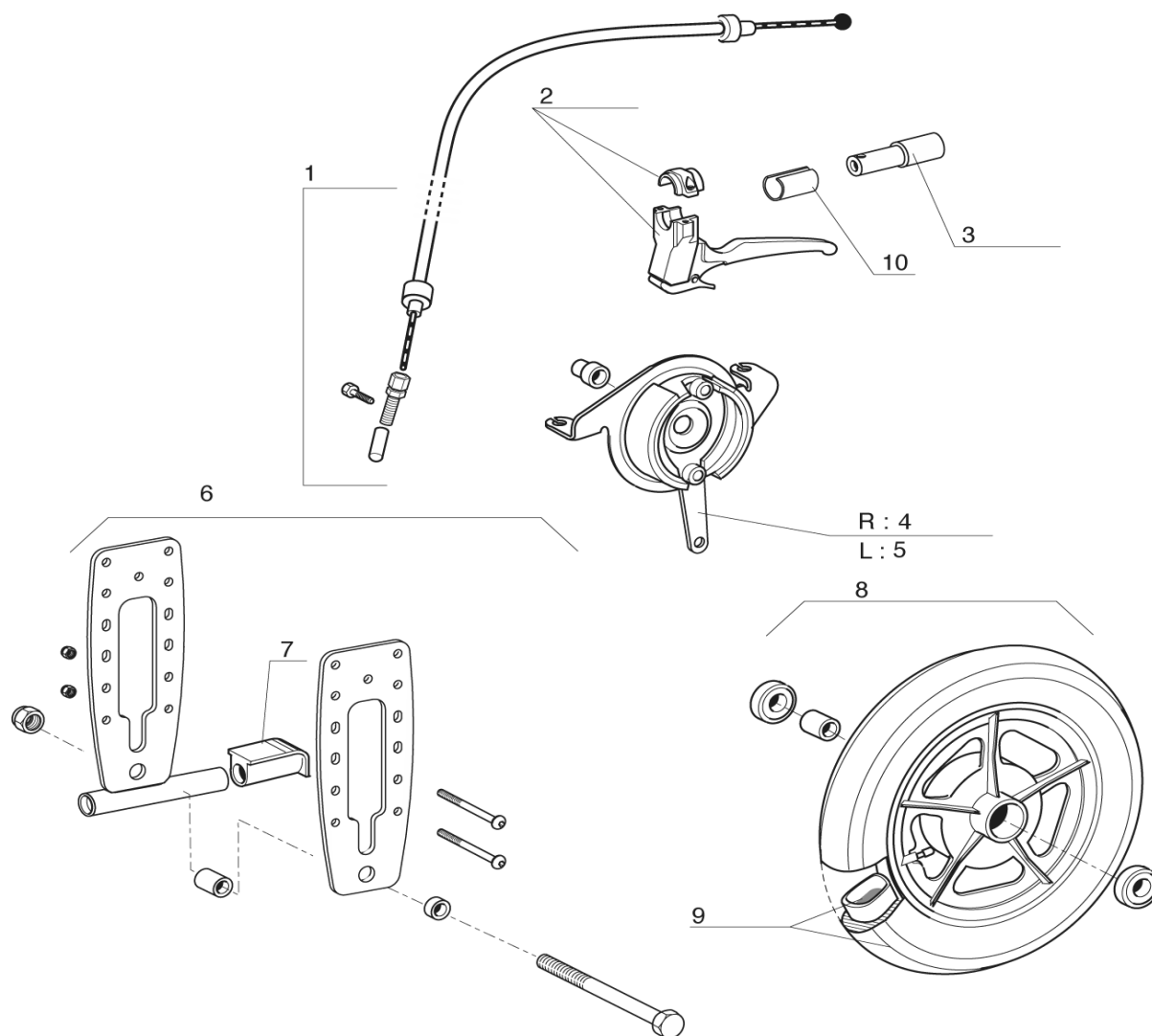
SECTION F

Transit rear wheel, push brake	p. 58
Transit rear wheel, hub brake	p. 59
Dual handrim fixed axle	p. 60
Dual handrim fixed wheels	p. 61
Hand control for OAD by lever	p. 62
OAD by lever	p. 63
Wheels for OAD by lever	p. 64
Spoke guard	p. 65





REP.	CODE	DESCRIPTION	VE000074
1	1451675	A4 STANDARD TRANSIT REAR SUPPORT	
2	0021-20011	BLACK FOOT SUPPORT CAP	
3	1451677	A4 RH TRANSIT PUSH BRAKE	
4	1451678	A4 LH TRANSIT PUSH BRAKE	
5	6001789	12' PNEUMATIC COMPLETE WHEEL	
6	1431313	12' TRANSIT PNEUMATIC + INNER TUBE	
7	6001790	12' SOLID COMPLETE WHEEL	



REP.	CODE	DESCRIPTION	VE000070
1	1431285	ATTENDANT HUB BRAKES COMPLETE MECHANISM	
2	1420527	BLACK BRAKE LEVER DIA 22MM	
3	1430412	BACKREST CANE EXTENSION KIT	
4	1423292	RH HUB BRAKE PLATE 70MM	
5	1423293	LH HUB BRAKE PLATE 70MM	
6	1451676	A4 HUB BRAKE TRANSIT REAR AXLE	
7	0021-20011	BLACK FOOT SUPPORT CAP	
8	0572-03002	12' PNEUMATIC HUB BRAKE COMPLETE WHEEL	
9	1431313	12' TRANSIT PNEUMATIC + INNER TUBE	
10	5221363	FIXED BACKREST HUB BRAKE ADAPTATION	



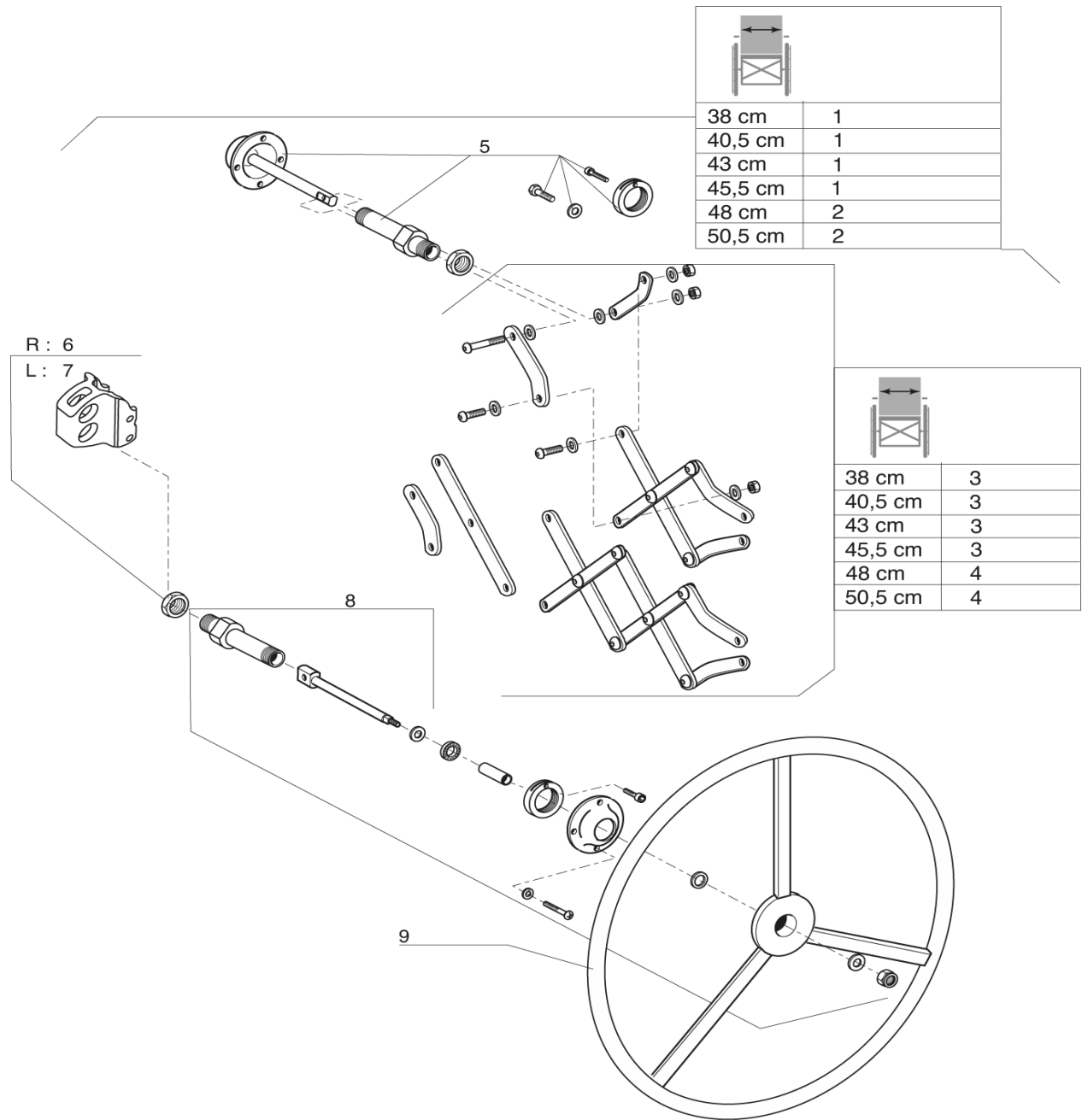
Invacare®
Action4®

Transit Rear Wheel Hub Brake

F

07 / 06

59



REP.	CODE	DESCRIPTION	VE000249
1	1496144	DUAL HANDRIM FIXED AXLE ASSY W 38/40,5/43/ 45,5CM A4	
2	1496145	DUAL HANDRIM FIXED AXLE ASSY W 48/ 50,5CM A4	
3	1432526	SHORT PANTOGRAPH W 38/40,5/43/ 45,5CM	
4	1432527	LONG PANTOGRAPH W 48/ 50,5CM	
5	1432621	DUAL HANDRIM COMPLETE AXLE WITHOUT HANDRIM SIDE	
6	1496993	A4 DUAL HANDRIM FIXED WHEEL SUPPORT FIXATION RH KIT	
7	1496994	A4 DUAL HANDRIM FIXED WHEEL SUPPORT FIXATION LH KIT	
8	1432620	DUAL HANDRIM COMPLETE AXLE HANDRIM SIDE	
9	0410K05234	EXTERNAL HANDRIM CHROMED; DUAL HANDRIM	



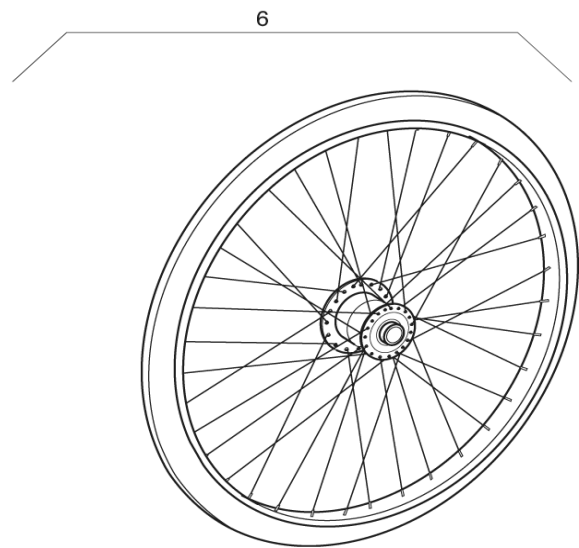
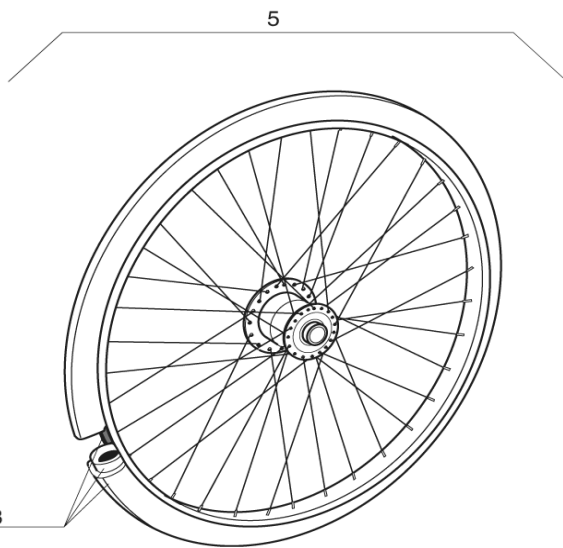
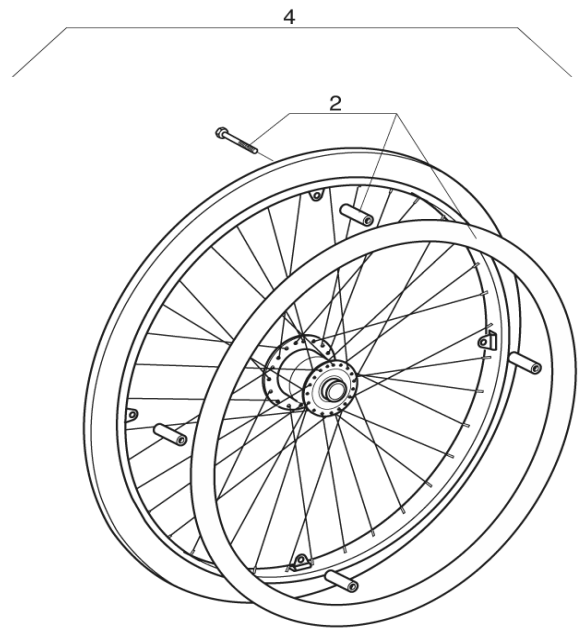
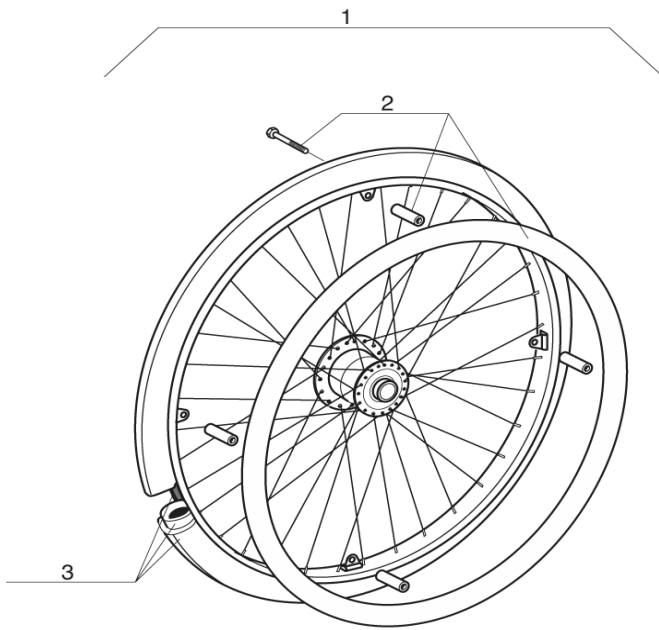
Invacare®
Action4®

Dual Handrim Fixed Axle

F

07 / 06

60



REP.	CODE	DESCRIPTION	VE000098
1	0572-06842	24' HEMI HUB SPOKED WHEEL + PNEUMATIC TYRE	
2	1431316	24' CHROMED HAND RIM 4 FIXATIONS	
3	0572-04531	24' x 1.3/8 PNEUMATIC + INNER TUBE	
4	0572-06843	24' HEMI HUB SPOKED WHEEL + SOLID TYRE	
5	0572-06914	24' HEMI HUB SPOKED WHEEL + PNEUMATIC TYRE W/HANDRIM	
6	0572-06915	24' HEMI HUB SPOKED WHEEL + SOLID TYRE W/HANDRIM	



Invacare®
Action4®

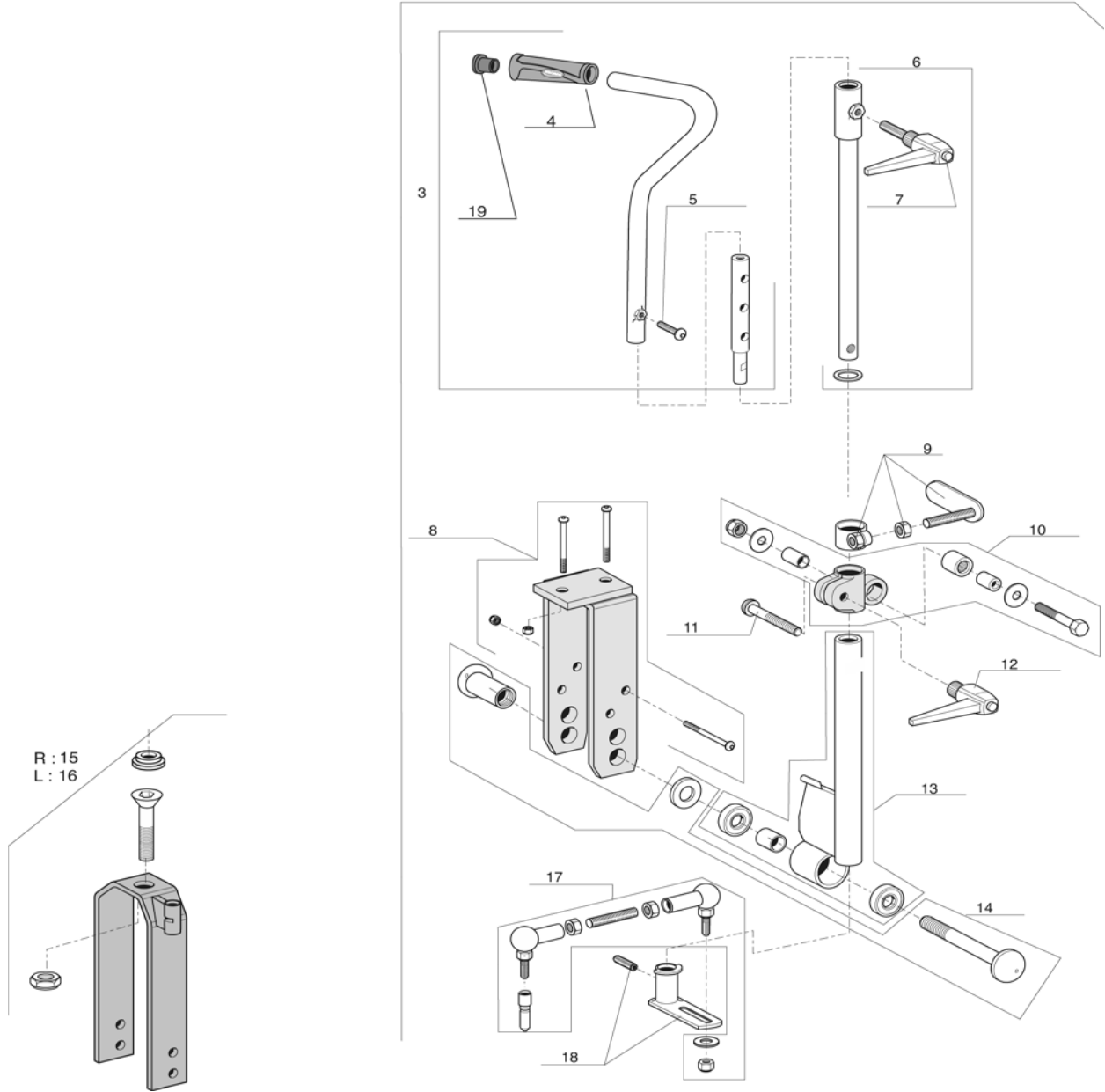
Dual Handrim Fixed Axle Wheels

F

07 / 06

61

R : 1
L : 2



REP.	CODE	DESCRIPTION	VE000239
1	1496180	OAD BY LEVER HAND CONTROL RH COMPLETED KIT A4	
2	1496181	OAD BY LEVER HAND CONTROL LH COMPLETED KIT A4	
3	1432624	OAD BY LEVER HAND CONTROL ASSY	
4	1425473	INVACARE PUSH HANDLE	
5	0029-40049	CBHC SCREW M8X30; 8.8	
6	1432625	OAD BY LEVER HAND LEVER SHAFT	
7	0021-70002	INDEXABLE LEVER 63 M8X16	
8	1433003	EQUALIZER SUPPORT + FIXATION	
9	1432627	OAD BY LEVER BRAKE SHOE ASSY	
10	1432998	OAD BY LEVER ADJUSTABLE SLEEVE ASSY	
11	0029-40252	CLAMP SCREW M8X1 1/4'	
12	0021-70011	INDEXABLE LEVER 63 M8	
13	1432999	OAD BY LEVER EQUALIZER	
14	1433000	EQUALIZER COMPLETED AXLE	
15	1444995	OAD BY LEVER FORK AND AXLE KIT RH	
16	1444996	OAD BY LEVER FORK AND AXLE KIT LH	
17	1496169	OAD BY LEVER BALL JOINT KIT A4	
18	1433002	OAD BY LEVER STEERING BUSH +FIXATION	
19	1418112	REAR CROSSBRACE CAP	



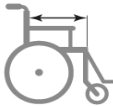
Invacare®
Action4®

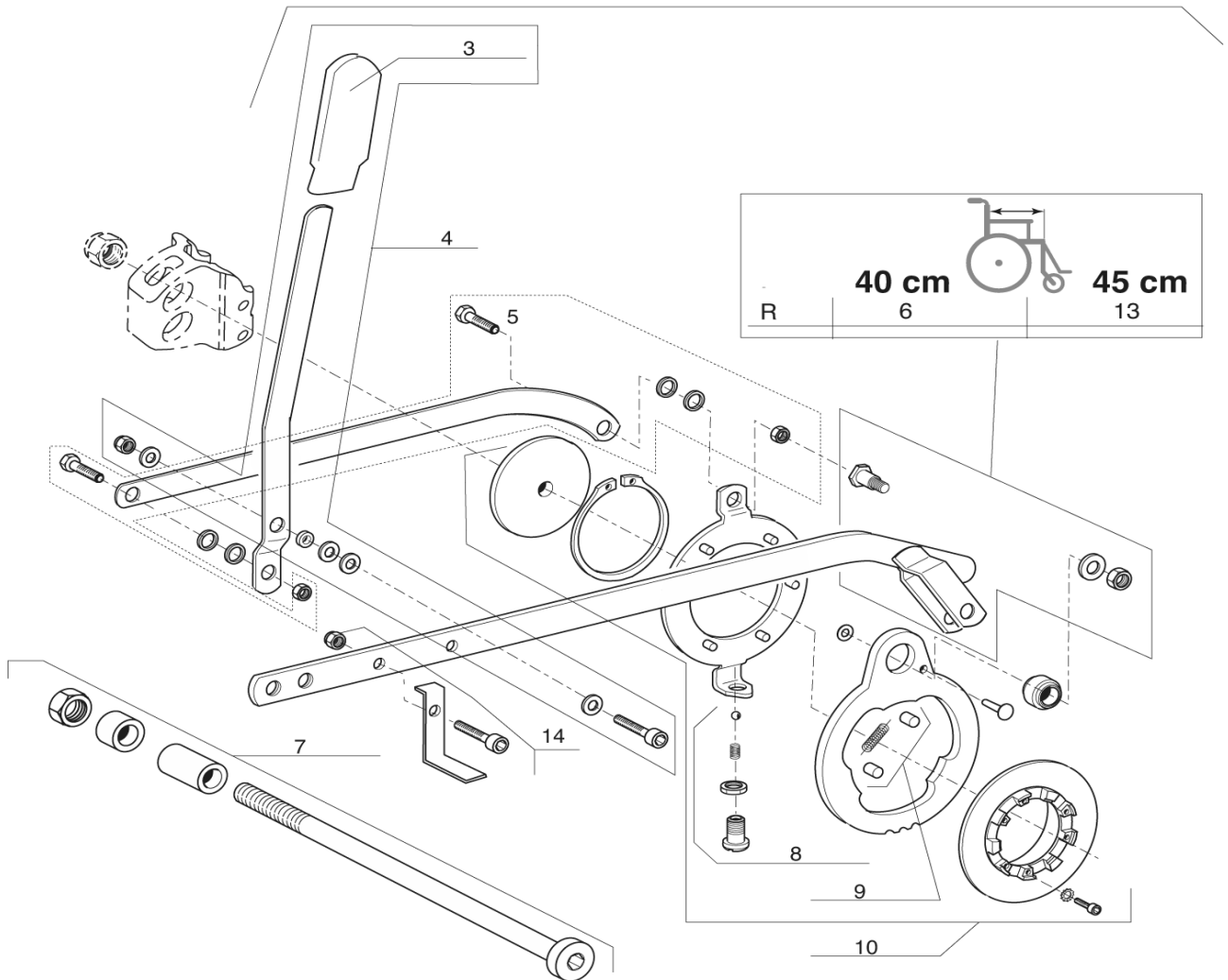
Hand Control For Oad By Lever

F

07 / 06

62

			
	40 cm		45 cm
R	1		11
L	2		12



REP.	CODE	DESCRIPTION	VE000250
1	1432932	OAD BY LEVER RH TRANSMISSION KIT D40CM	
2	1432933	OAD BY LEVER LH TRANSMISSION KIT D 40CM	
3	0240-05576	END CAP LEVER OAD BY LEVER	
4	1432930	OAD BY LEVER REVERSE LINK + FIXATION	
5	1433010	INVERSION LINK + FIXATION	
6	1433006	TRANSMISSION LINK + FIXATION D 40CM	
7	1496987	OAD BY LEVER REAR WHEEL AXLE KIT A4	
8	9742-84304	HOLLOW SCREW+BALL+SPRING	
9	9028-40005	OAD BY LEVER SPRING+CAM	
10	1433009	DRIVING CAM COMPLETED	
11	1435910	OAD BY LEVER RH TRANSMISSION KIT D45CM	
12	1435911	OAD BY LEVER LH TRANSMISSION KIT D 45CM	
13	1435912	TRANSMISSION LINK + FIXATION D 45CM	
14	1442034	OAD BY LEVER BRAKE KIT D 45 CM	



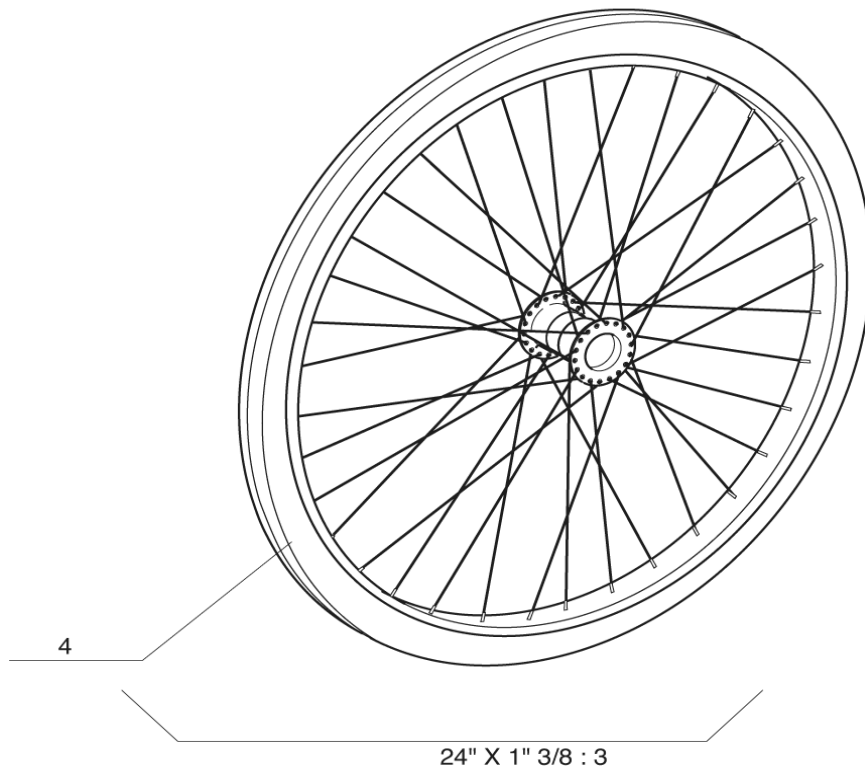
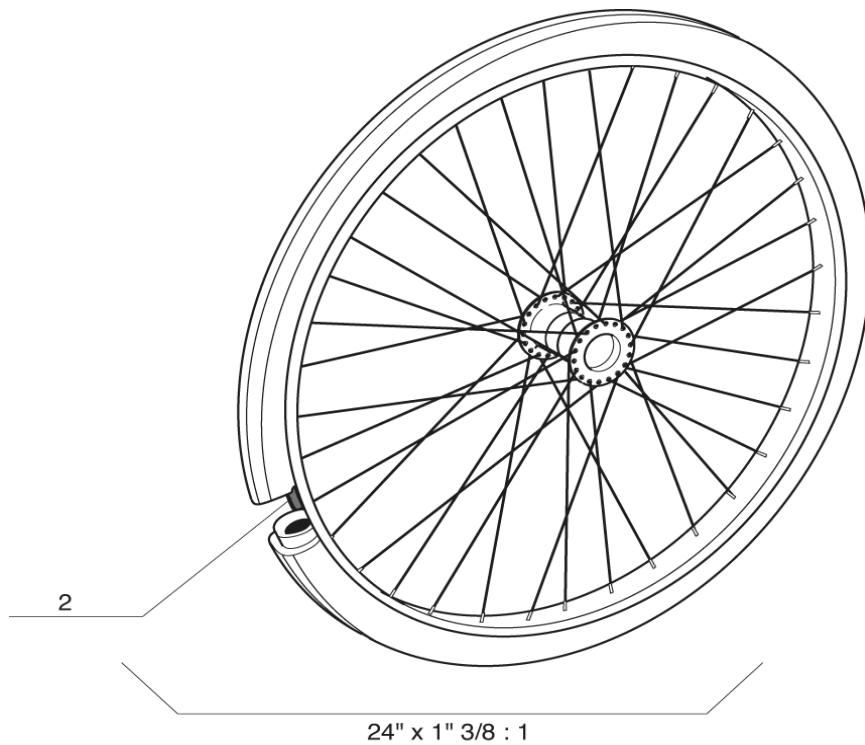
Invacare®
Action4®

Oad By Lever

F

07 / 06

63



REP.	CODE	DESCRIPTION	VE000097
1	1485234	24" x 1".3/8 OAD SPOKED WHEEL + PNEUMATIC TYRE	
2	0572-04531	24" x 1".3/8 PNEUMATIC + INNER TUBE	
3	1485235	24" x 1".3/8 OAD SPOKED WHEEL + SOLID TYRE	
4	0036-10013	24" x 1".3/8 GREY SOLID TYRE	



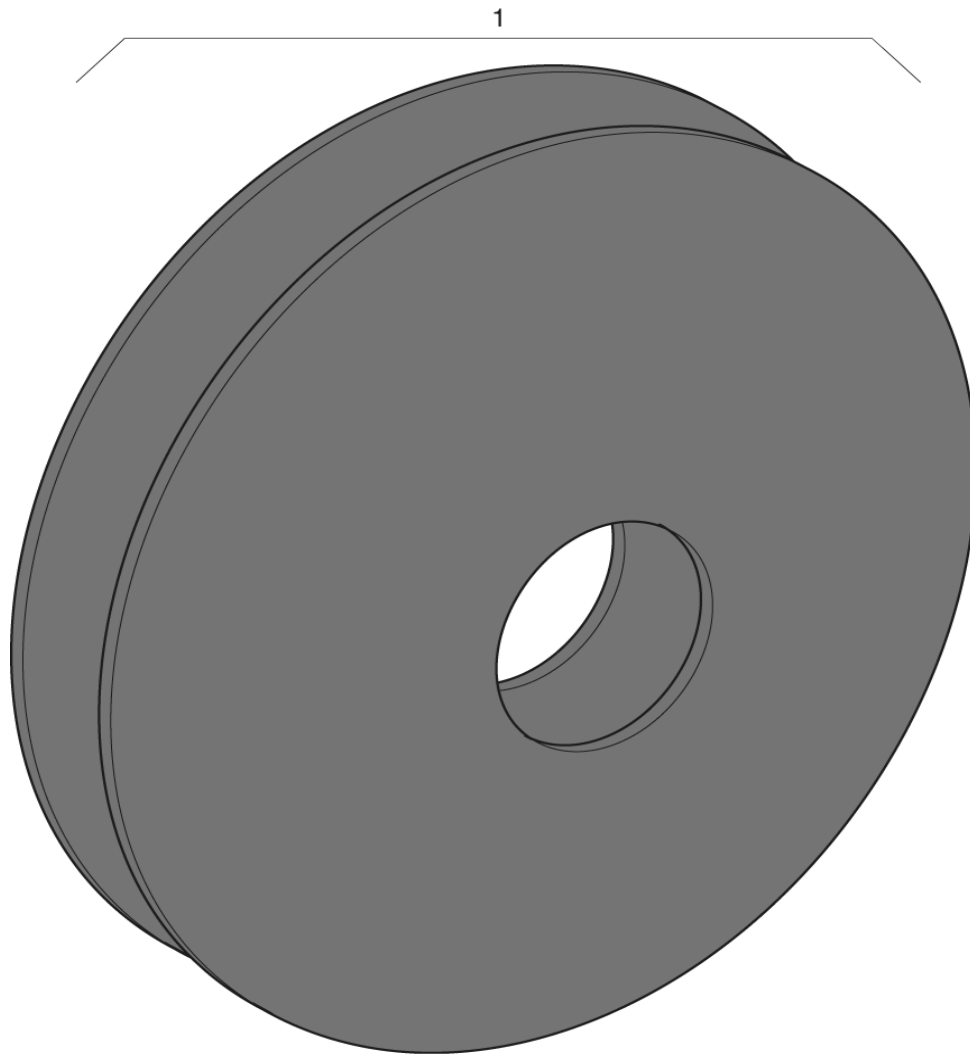
Invacare®
Action4®


Wheels For Oad By Lever

F

07 / 06

64



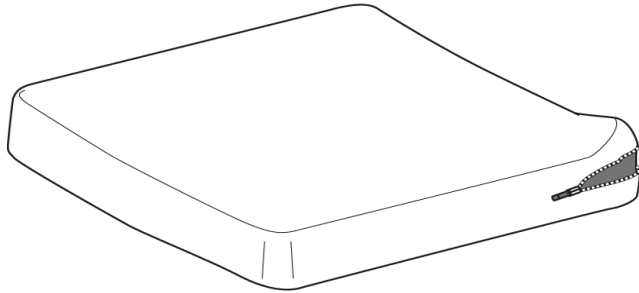
REP.	CODE	DESCRIPTION	VE000082
1	0789-04400	SPOKE GUARDS	
 Invacare® Action4®		Spoke Guard	F 07 / 06 65

SECTION G

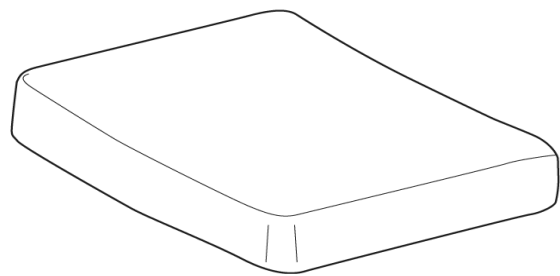
Cushions	p. 67
Heel strap, calf strap	p. 68
Back brace	p. 69
Hanger adaptor	p. 70
Amputee legrest	p. 71



	40 cm	45 cm
38 cm	1	4
40,5 cm	1	4
43 cm	2	5
45,5 cm	2	5
48 cm	3	6
50,5 cm	3	6



	40 cm	45 cm
38 cm	7 - 10	7 - 10
40,5 cm	7 - 10	7 - 10
43 cm	8 - 11	8 - 11
45,5 cm	9 - 12	9 - 12



REP.	CODE	DESCRIPTION	VE000092
1	0572-05013	STANDARD FOAM CUSHION W 38CM x D 41CM	
2	0572-05017	STANDARD FOAM CUSHION W 43CM x D 41CM	
3	1418615	STANDARD FOAM CUSHION W 48CM x D 41CM	
4	0572-05014	STANDARD FOAM CUSHION W 38CM x D 44CM	
5	0572-05018	STANDARD FOAM CUSHION W 43CM x D 44CM	
6	1418616	STANDARD FOAM CUSHION W 48CM x D 44CM	
7	C333T40	GEL CUSHIONS W 40,5 CM x D 42 CM - ONLY FOR FRANCE	
8	C333T43	GEL CUSHIONS W 43 CM x D 42 CM - ONLY FOR FRANCE	
9	C333T45	GEL CUSHIONS W 45 CM x D 42 CM - ONLY FOR FRANCE	
10	C333T40-I	GEL CUSHIONS W 40,5 CM x D 42 CM - NOT AVAILABLE IN FRANCE	
11	C333T43-I	GEL CUSHIONS W 43 CM x D 42 CM - NOT AVAILABLE IN FRANCE	
12	C333T45-I	GEL CUSHIONS W 45 CM x D 42 CM - NOT AVAILABLE IN FRANCE	



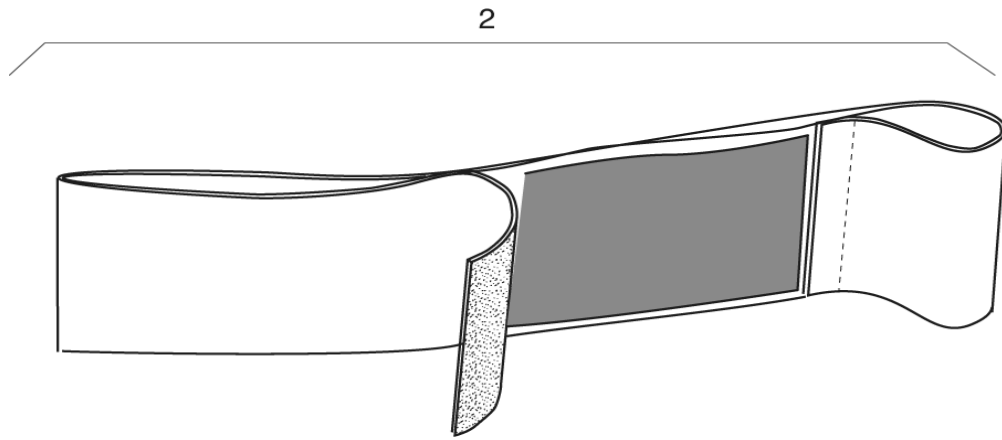
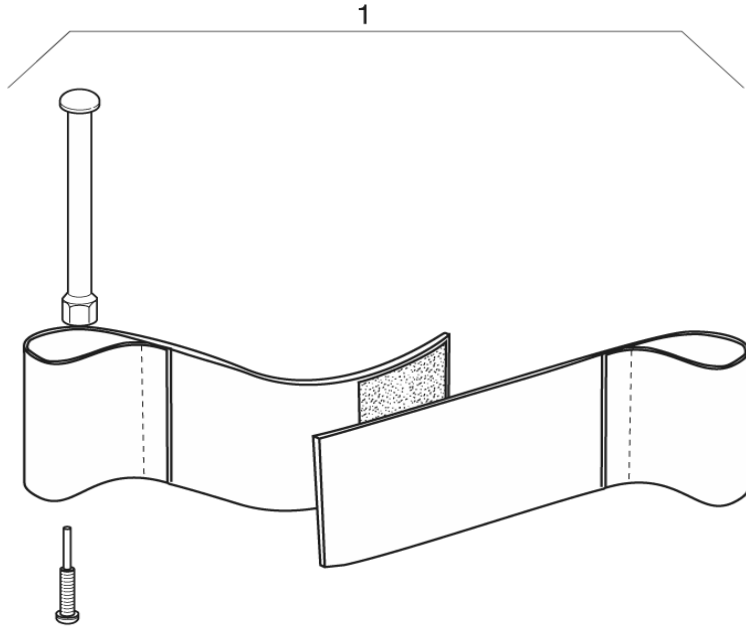
Invacare®
Action4®

Cushions

G

07 / 06

67



REP.	CODE	DESCRIPTION	VE000094
1	1492315	ADJUSTABLE HEEL STRAP (NEW DESIGN)	
2	1433580	ADJUSTABLE CALF STRAP	




Invacare®
Action4®




Heel Strap - Calf Strap

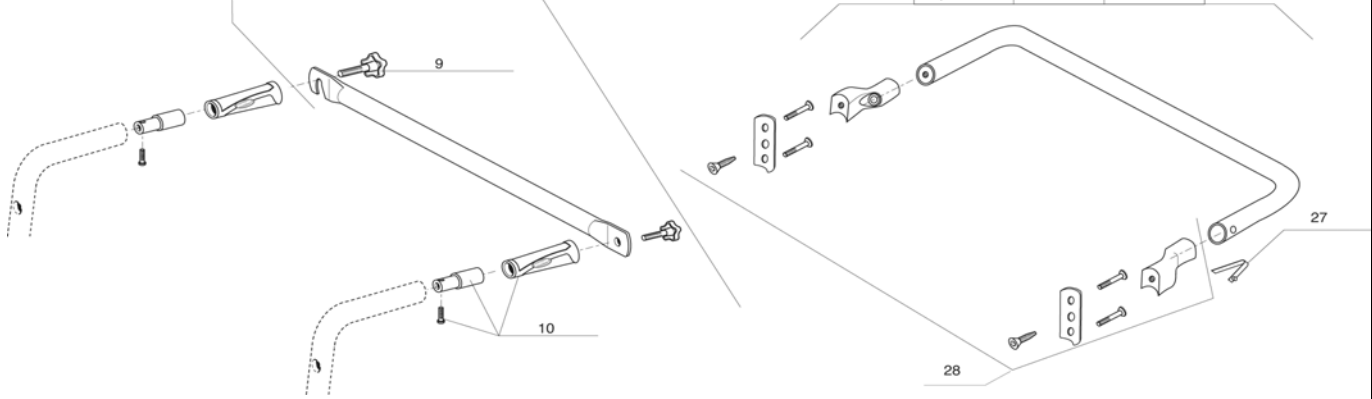
G

07 / 06

68

	
38 cm	1
40,5 cm	2
43 cm	3
45,5 cm	4
48 cm	5
50,5 cm	6
55,5 cm	7
60,5 cm	8

		
38 cm	11	19
40,5 cm	12	20
43 cm	13	21
45,5 cm	14	22
48 cm	15	23
50,5 cm	16	24
55,5 cm	17	25
60,5 cm	18	26



REP.	CODE	DESCRIPTION	VE000061
1	1434099	BACK BRACE KIT ASSY W 38CM	
2	1434100	BACK BRACE KIT ASSY W 40,5CM	
3	1433707	BACK BRACE KIT ASSY W 43CM	
4	1433708	BACK BRACE KIT ASSY W 45,5CM	
5	1433716	BACK BRACE KIT ASSY W 48CM	
6	1434105	BACK BRACE KIT ASSY W 50,5CM	
7	1483910	BACK BRACE KIT ASSY W 55,5CM	
8	1483911	BACK BRACE KIT ASSY W 60,5CM	
9	0021-60029	32MM M6X16 BUTTON	
10	1430412	FIXED BACKREST CANE EXTENSION KIT	
11	1450575	FIXED BACKREST BACK BRACE KIT ASSY W 38CM	
12	1450576	FIXED BACKREST BACK BRACE KIT ASSY W 40,5CM	
13	1450577	FIXED BACKREST BACK BRACE KIT ASSY W 43CM	
14	1450578	FIXED BACKREST BACK BRACE KIT ASSY W 45,5CM	
15	1450562	FIXED BACKREST BACK BRACE KIT ASSY W 48CM	
16	1450451	FIXED BACKREST BACK BRACE KIT ASSY W 50,5CM	
17	1451482	FIXED BACKREST BACK BRACE KIT ASSY W 55,5CM	
18	1451483	FIXED BACKREST BACK BRACE KIT ASSY W 60,5CM	
19	1449033	RECLINER BACKREST BACK BRACE KIT ASSY W 38CM	
20	1449034	RECLINER BACKREST BACK BRACE KIT ASSY W 40,5CM	
21	1449035	RECLINER BACKREST BACK BRACE KIT ASSY W 43CM	
22	1451225	RECLINER BACKREST BACK BRACE KIT ASSY W 45,5CM	
23	1451226	RECLINER BACKREST BACK BRACE KIT ASSY W 48CM	
24	1451227	RECLINER BACKREST BACK BRACE KIT ASSY W 50,5CM	
25	1488627	RECLINER BACKREST BACK BRACE KIT ASSY W 55,5CM	
26	1488628	RECLINER BACKREST BACK BRACE KIT ASSY W 60,5CM	
27	5721060	BACK BRACE PUSH PIN	
28	1493360	REAR BACK BRACE FIXATION KIT	



Invacare®
Action4®

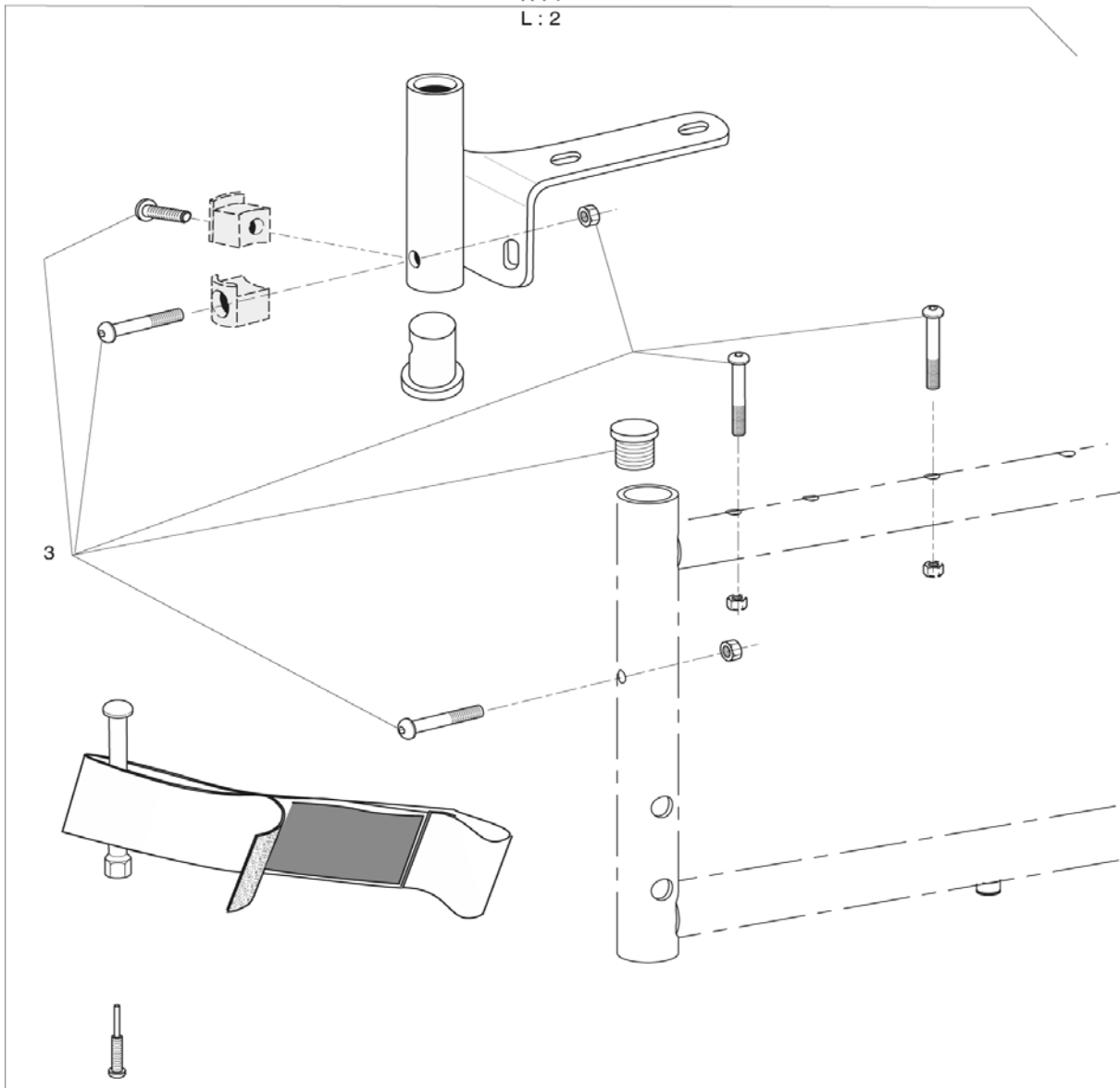
Back Brace

G

07 / 06

69

R : 1
L : 2



REP.	CODE	DESCRIPTION	VE000086
1	1442992	Rh Hanger Adaptator	
2	1442993	LH HANGER ADAPTATOR	
3	1443022	MOUNTING KIT HANGER ADAPTATOR	



Invacare®
Action4®

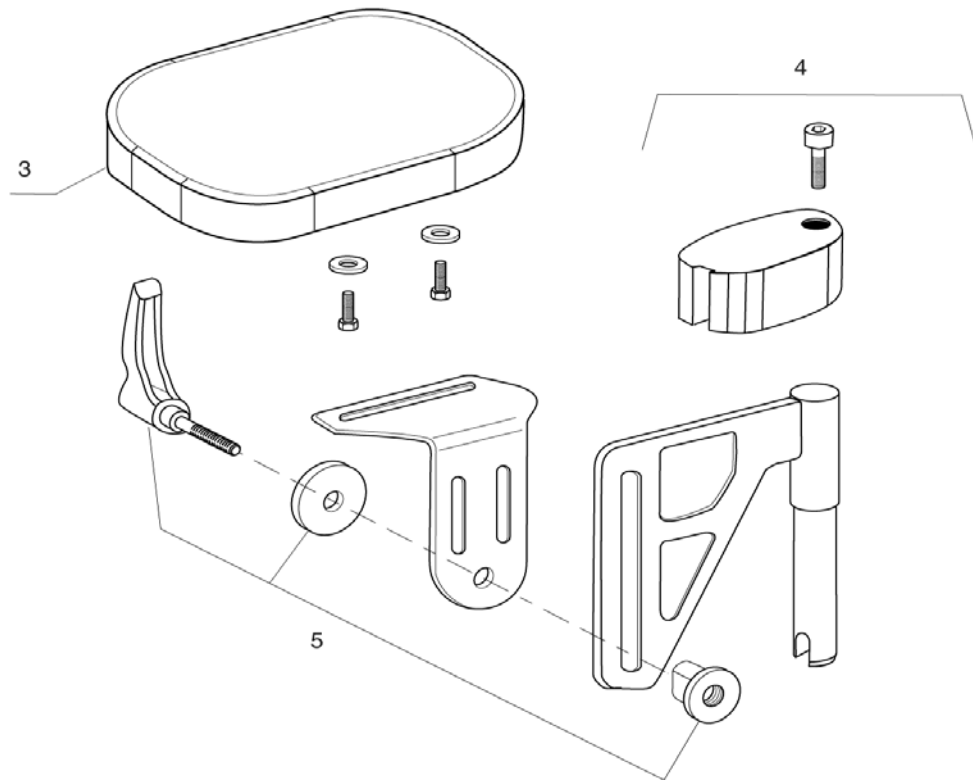
Hanger Adaptator

G

07 / 06

70

R : 1
L : 2



REP.	CODE	DESCRIPTION	VE000244
1	1442990	RH AMPUTEE LEGREST	
2	1442991	LH AMPUTEE LEGREST	
3	5221090-TR03	Amputee Legrest Cushion	
4	1446556	AMPUTEE LEGREST STOP + FIXATION	
5	1446557	AMPUTEE LEGREST SLIDE FIXATION KIT	



Invacare®
Action4®

Amputee Legrest

G

07 / 06

71

SECTION H

Belts

p. 73

Rear anti tippers

p. 74

Reflectors

p. 75



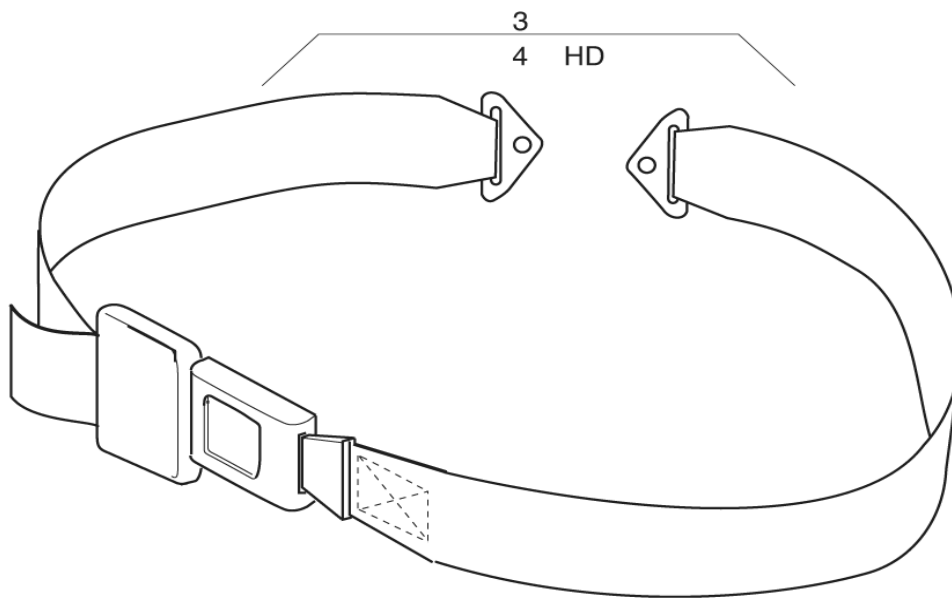
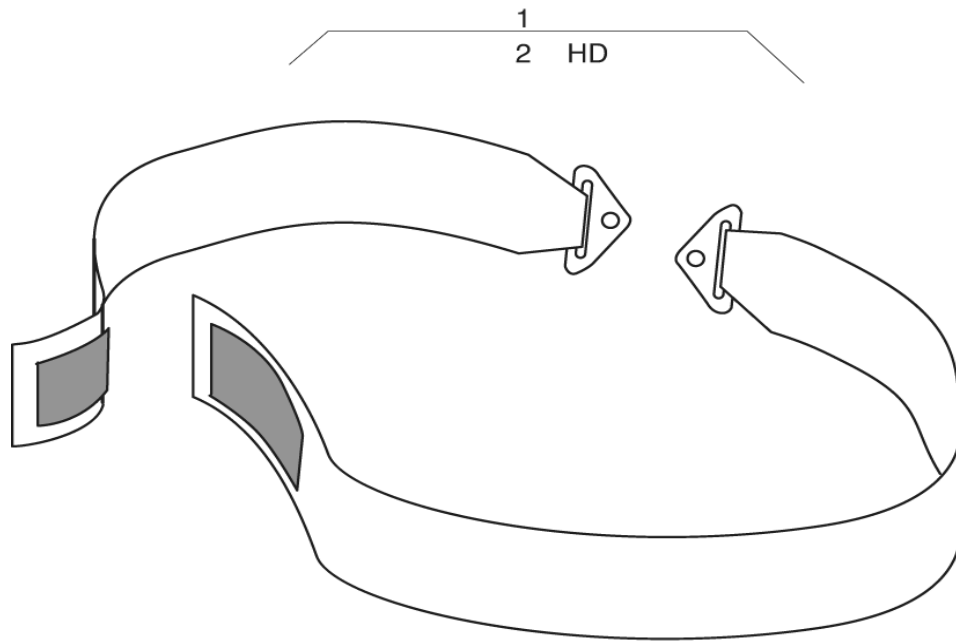
Invacare®
Action4®

Section H Contents

H

07 / 06

72



REP.	CODE	DESCRIPTION	VE000251
1	0572-02049	VELCRO SAFETY BELT	
2	1492756	VELCRO SAFETY BELT HD	
3	0572-05389	BUCKLE SAFETY BELT	
4	1492755	BUCKLE SAFETY BELT HD	



Invacare®
Action4®

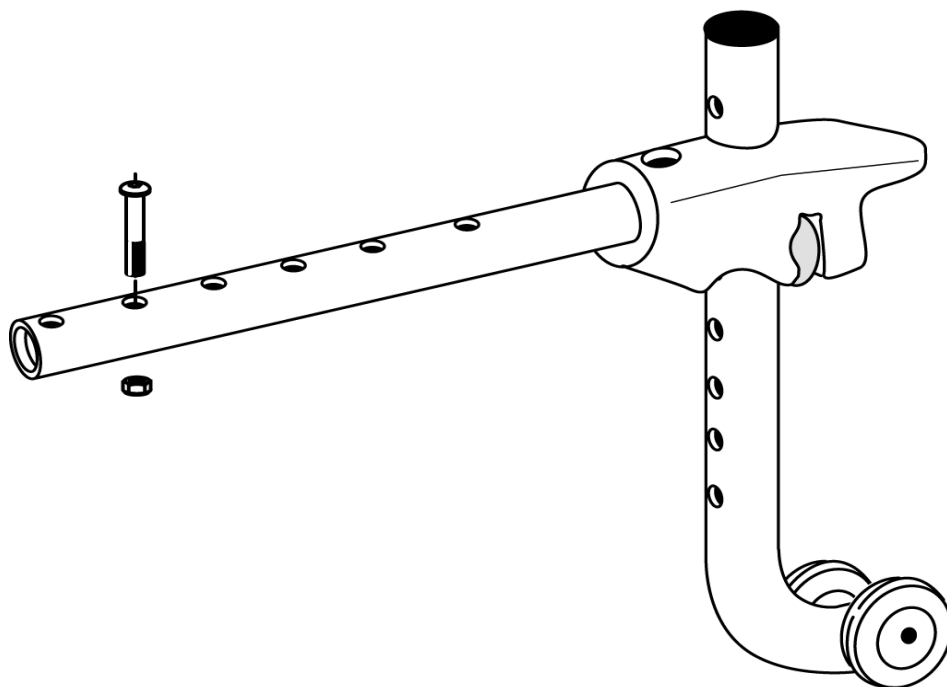
Belts


H

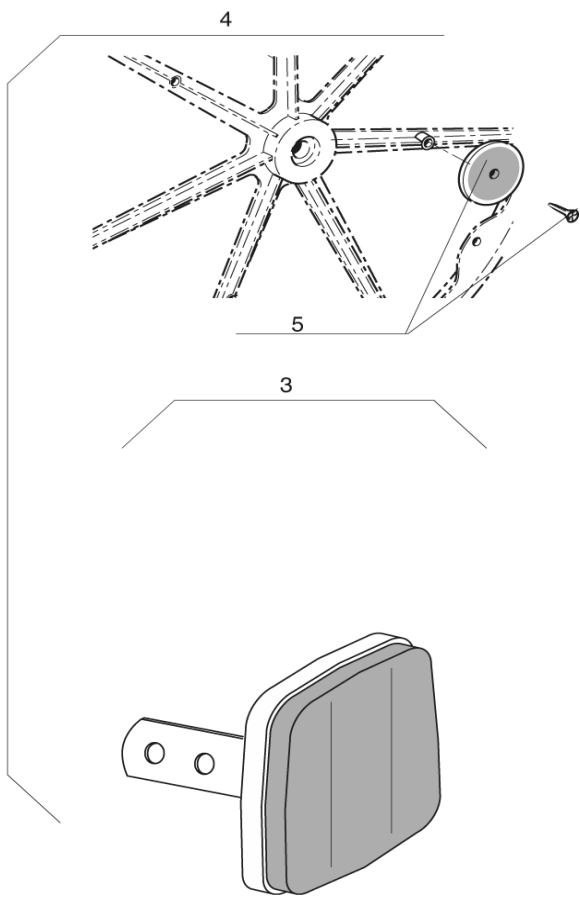
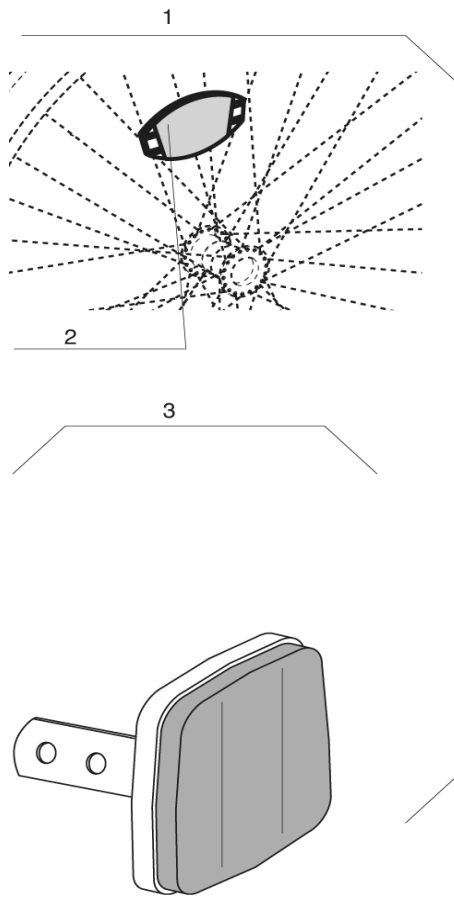
07 / 06

73

1



REP.	CODE	DESCRIPTION	VE000068
1	1484890	ANTI TIP DEVICE COMPLET A3/A4	
 Invacare® Action4®		Rear Anti Tipper	H
			07 / 06
			74



REP.	CODE	DESCRIPTION	VE000067
1	1450571	A4 SPOKED WHEEL & FRAME REFLECTORS KIT	
2	N90003	SPOKED WHEEL REFLECTOR KIT	
3	1450569	A4 FRAME REFLECTORS KIT	
4	1450570	A4 COMPOSITE WHEEL & FRAME REFLECTORS KIT	
5	9037-30001	PLASTIC WHEEL REFLECTOR KIT	



Invacare®
Action4®

Reflectors

H

07 / 06

75

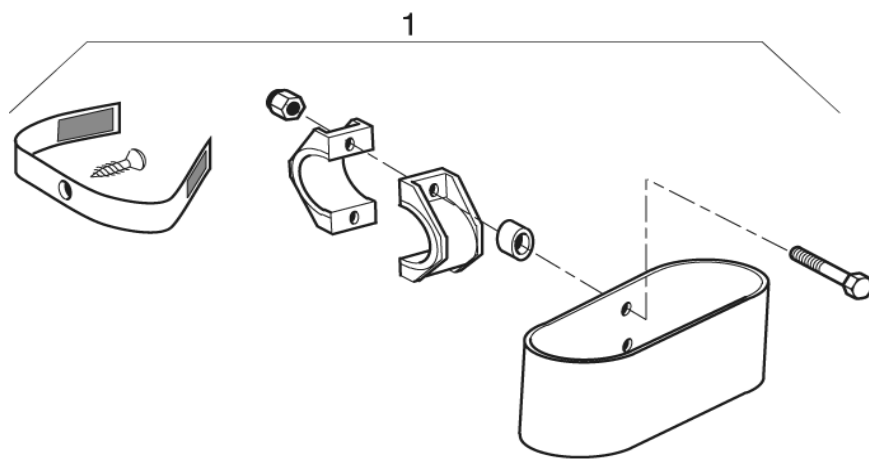
SECTION I

Cane holder - Back bag
Transparent tray

p. 77
p. 78



Invacare®
Action4®



REP.	CODE	DESCRIPTION	VE000075
1	0572-02056	CANE HOLDER	
2	0572-04272	BACK BAG	

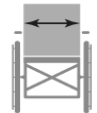


Invacare®
Action4®

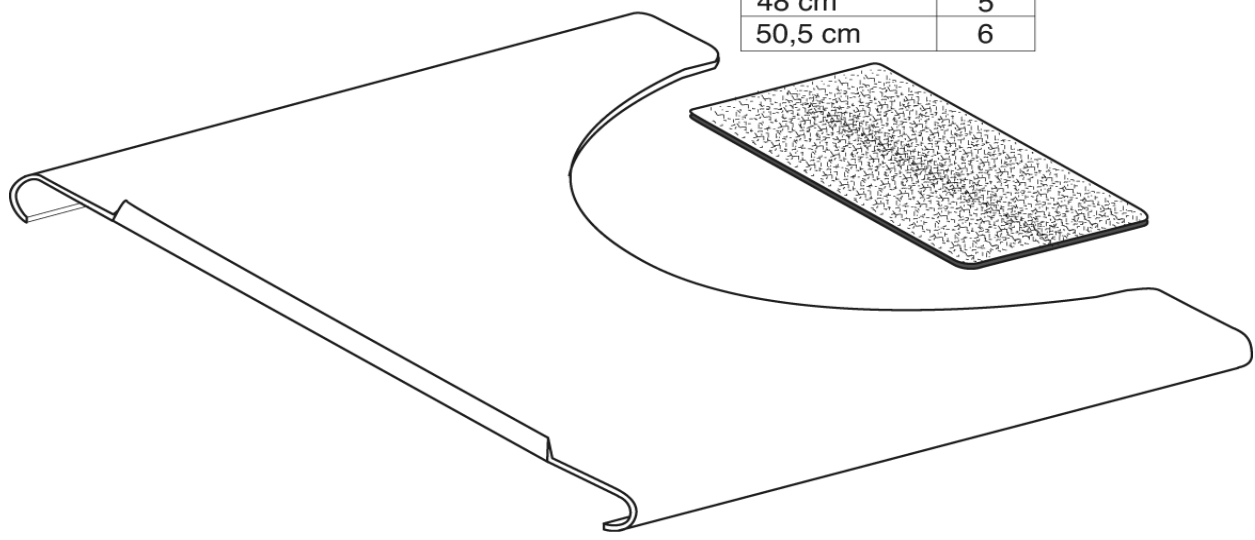
Cane Holder - Back Bag

07 / 06

77



38 cm	1
40,5 cm	2
43 cm	3
45,5 cm	4
48 cm	5
50,5 cm	6



REP.	CODE	DESCRIPTION	VE000096
1	1450921	TRANSPARENT TRAY W 38CM	
2	1450922	TRANSPARENT TRAY W 40,5CM	
3	1450923	TRANSPARENT TRAY W 43CM	
4	1450924	TRANSPARENT TRAY W 45,5CM	
5	1450925	TRANSPARENT TRAY W 48CM	
6	1450926	TRANSPARENT TRAY W 50,5CM	



Transparent Tray



Invacare® France Operations SAS
Route de Saint Roch
37230 FONDETTES

Invacare® n.v.

Autobaan 22 8210 Loppem (Brugge) **Belgium** ☎ +32 (50) 831010 **Fax** +32 (50) 831011

Invacare® AIS

Sdr. Ringvej 39 2605 Brøndby **Danmark** ☎ (kundeservice) +45 - (0) 3690 0000 **Fax** (kundeservice) +45 - (0) 3690 0001

Invacare® Deutschland GmbH

Kleislstraße 49 32457 Porta Westfalica **Deutschland**

☎ (Technische Hotline) 01 80 - 5 26 22 64 **Fax** (Technische Hotline) 01 80-5 26 22 75

Invacare® SA

c/Areny s/n Poligon Industrial de Celrà 17460 Celrà (Girona) **España** ☎ +34 - (0) 972 - 49 32 00 **Fax** +34 - (0) 972 - 49 32 20

Invacare® Poirier SAS

Route de St Roch F-37230 Fondettes **France** ☎ +33 - (0) 2 47 62 64 66 **Fax** +33 - (0) 2 47 42 12 24

Invacare® Mecc San s.r.l.

Via dei Pini, 62 I-36016 Thiene (VI) **Italia** ☎ +39 - (0) 445-380059 **Fax** +39 - (0) 445-380034

Invacare® AS

Grensesvingen 9 0603 Oslo **Norge** ☎ (kundeservice) +47 - 22 57 95 10 **Fax** (kundeservice) +47 - 22 57 95 01

Invacare® PORTUGAL Lda

Rua Senhora de Campanhã 105 4369-001 Porto **Portugal** ☎ +351-225105946 **Fax** +351-225105739

Invacare® AB

Fagerstagatan 9 163 91 Spånga **Sverige** ☎ (kundtjänst) +46 - (0) 8 761 70 90 **Fax** (kundtjänst) +46 - (0) 8 761 81 08

Invacare® B.V.

Celsiusstraat 46 NL-6716 BZ Ede **The Nederland** ☎ +31 - (0) 318 - 69 57 57 **Fax** +31 - (0) 318 - 69 57 58

Invacare® Ltd

South Road Bridgend Mid Glamorgan CF31 3PY **United Kingdom**

☎ (Customer Service) +44 - (0) 1656 - 647 327 **Fax** (Customer Service) +44 - (0) 1656 - 649 016



Yes, you can.