



Yes, you can.®

Invacare® **Etude Medley™**

Spare Part List



Table of contents

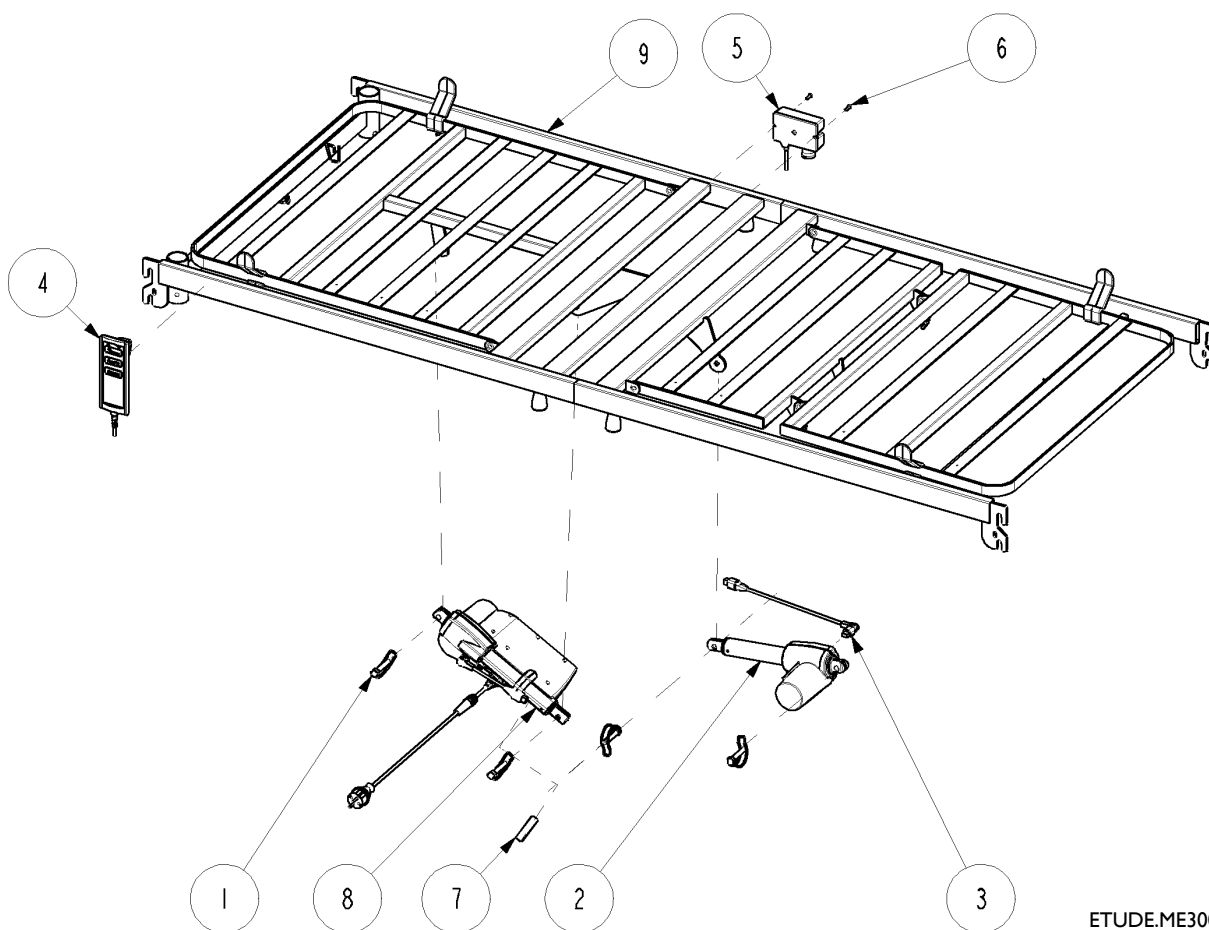
Etude Medley mattress support assembly	4
Etude Medley mattress support, 4 sectioned	5
Bed end assembly	6
Backrest motor and control unit	7
Control unit assembly	8
Backup battery	9
Steel side rail assembly - 1 pair	10
Wooden side rail	11
Lifting pole	12
Transport bracket	13

Etude Medley mattress support assembly

Ident. no.: ETUDE.ME300.XX

June 2006

Pos.	Qty.	Ident. no.:	Description
1	4	819411	Pipe pin Ø10x50
2	1	1423808	Leg section motor
3	1	1423813	Cable for leg section motor
4	1	1423815	Hand control
5	1	1423844	Mini ACP box
6	2	1427835	Screw M5x16 ISO 7045 Torx Taptite
7	1		Label for control unit
8	1	1491256	Motor and control unit assembly
9	1	1492473-XXXX	Mattress support



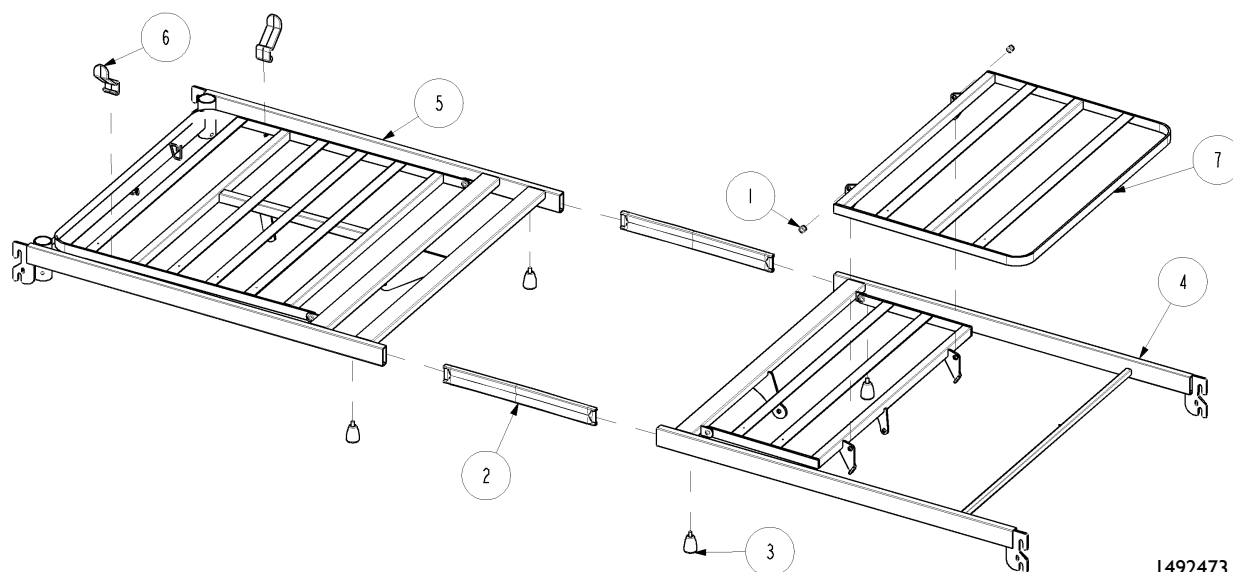
ETUDE.ME300

Etude Medley mattress support, 4 sectioned

Ident. no.: 1492473-XXXX

June 2006

Pos.	Antal	Ident. nr.:	Beskrivelse
1	2	408348	Tubular rivet Ø12x1 DIN 17457
2	2	419238.XX	Insertion tube
3	4	1435325-XXXX	M8 handle
4	1	1491187-XXXX	Top frame with thigh section
5	1	1491188-XXXX	Top frame with backrest
6	2	1491299-XXXX	Mattress retainer
7	1	1492440-XXXX	Leg section



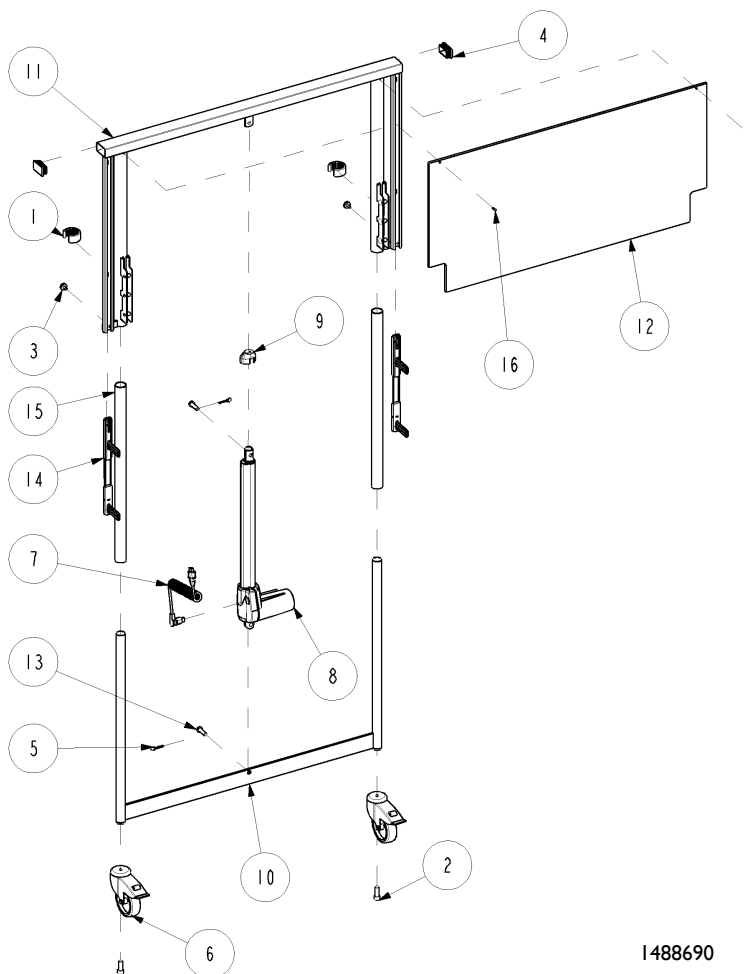
1492473

Bed end assembly

Ident. no.: I488690-XXXX

June 2006

Pos.	Qty.	Ident. no.:	Description
1	2	418443	Locking ring Ø52xØ37,5x24 pp
2	2	803066	Screw M12x30 ISO 4762
3	2	803979-XXXX	Finger screw M6x16 Ø20
4	2	804410-XXXX	Ferrule, inside, 50x30x1
5	2	816427	Spring pin Ø2x43
6	2	818383	Brakeable castor Ø100
7	1	I423811	Cable for motor LA27
8	1	I423843	24 V motor
9	1	I432760	Plastic cap
10	1	I488682-XXXX	Lower bed end bow
11	1	I488684-XXXX	Upper bed end bow
12	1	I488689-XXXX	Bed end plate
13	2	I489062	Clevis pin Ø10x35 ISO2341
14	2	I492121-XXXX	Slider assembly
15	2	I492432	Plastic tube Ø33,5/Ø28x595
16	2	I492435	Screw M4x16 ISO 7045 Torx Taptite



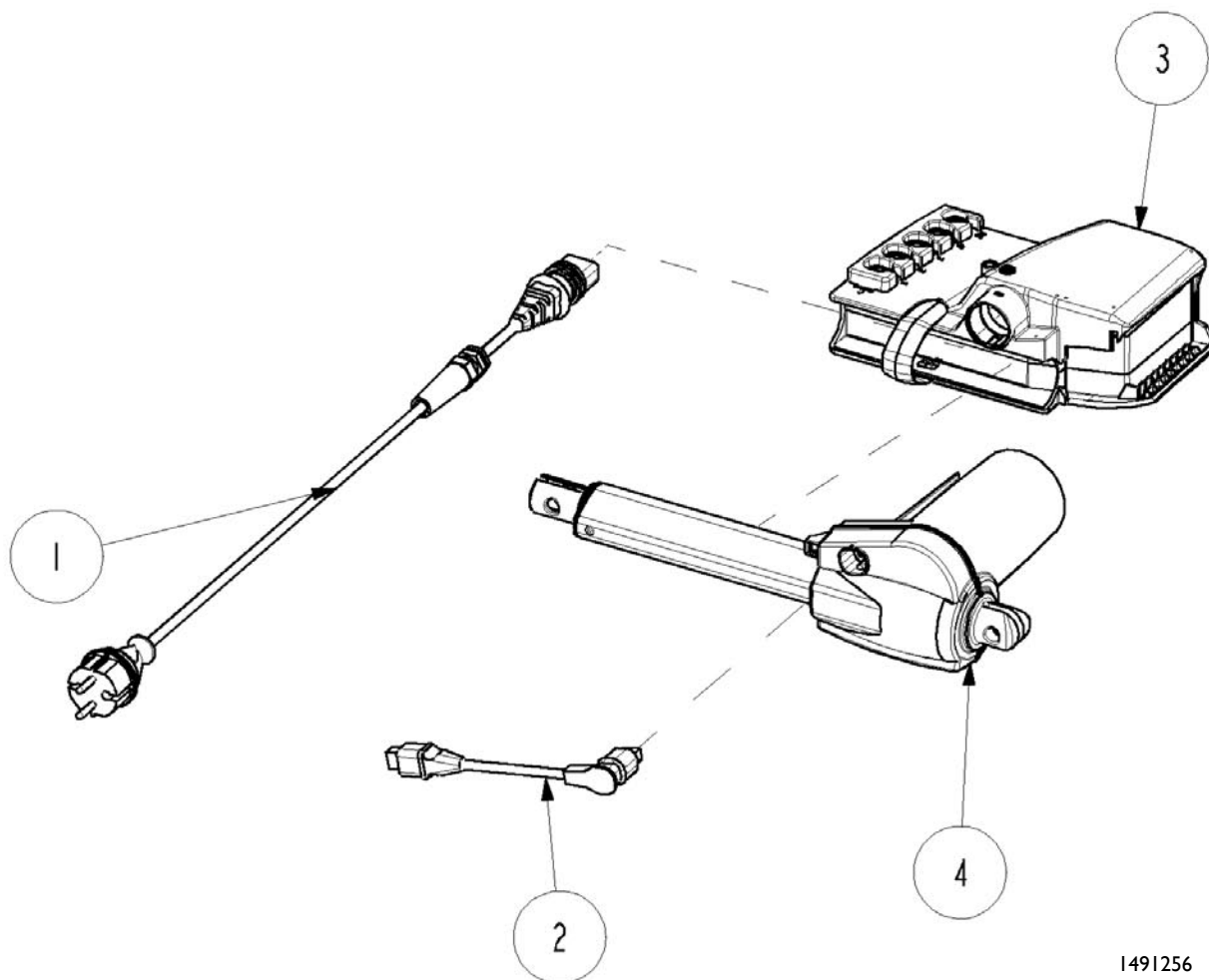
I488690

Backrest motor and control unit

Ident. no.: 1491256

June 2006

Pos.	Qty.	Ident. no.:	Description
1	1	1417517	Mains cord for control unit
2	1	1423812	Cable for backrest motor
3	1	1449568	Control unit
4	1	1492464	Backrest motor



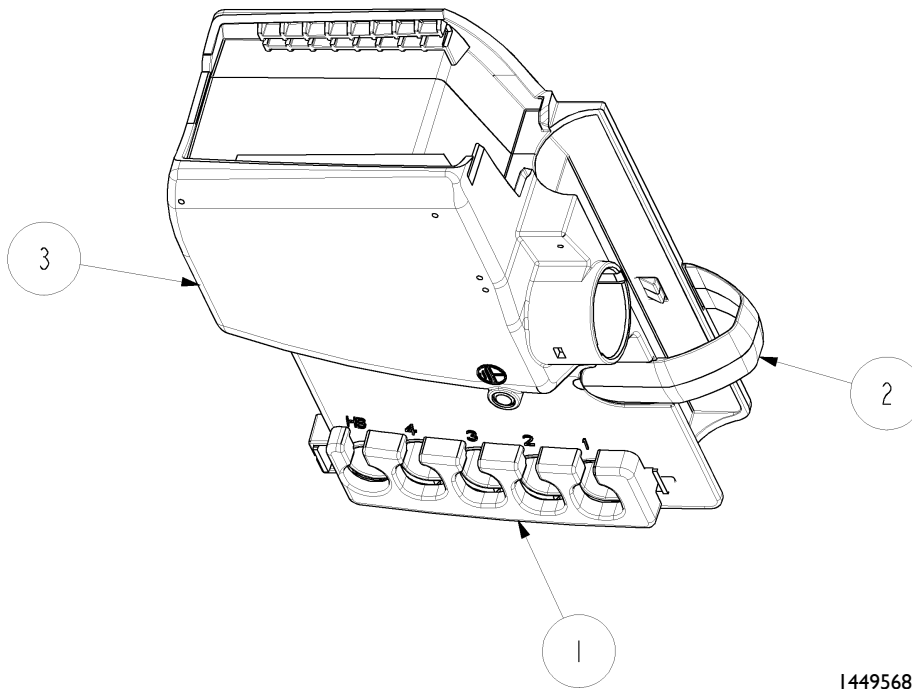
1491256

Control unit assembly

Ident. no.: I449568

June 2006

Pos.	Qty.	Ident. no.:	Description
1	1	I423968	Locking cam for cables
2	1	I427705	Locking clips for control unit
3	1		Control unit



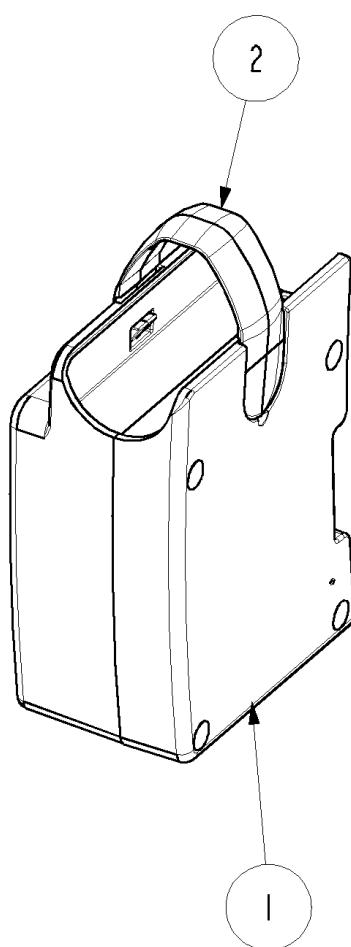
I449568

Backup battery

Ident. no.: 1491135

June 2006

Pos.	Qty.	Ident. no.:	Description
1	1	1491149	Backup battery for Linak LA27
2	2	1491150	Locking clips for backup battery



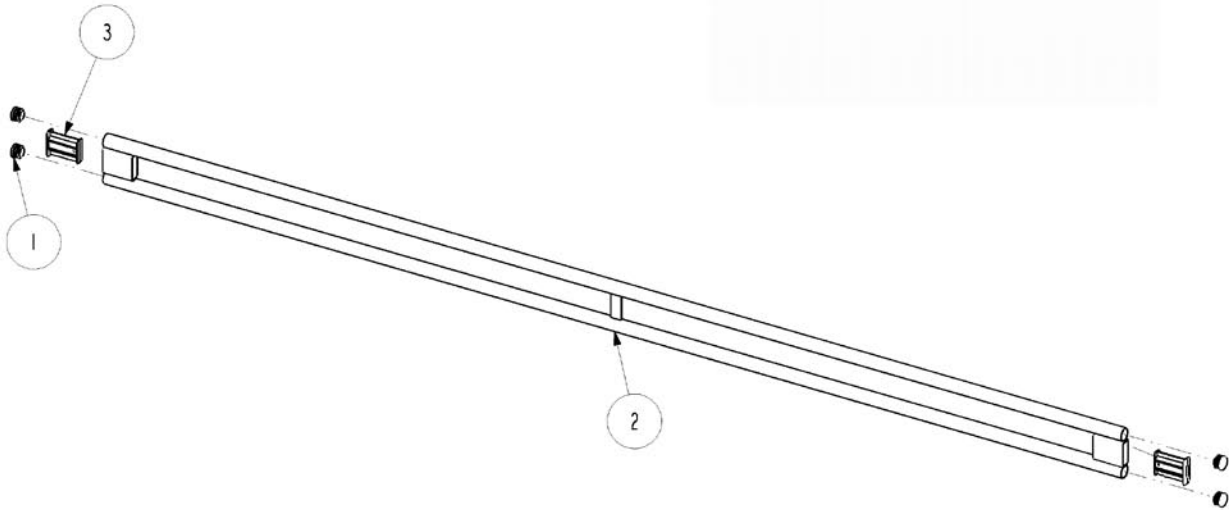
1491135

Steel side rail assembly - 1 pair

Ident. no.: I492082-XXXX

June 2006

Pos.	Qty.	Ident. no.:	Description
1	16	819424-XXXX	Ferrule, inside
2	4	I492081-XXXX	Steel tube assembly
3	8	I492509-XXXX	Ferrule, inner



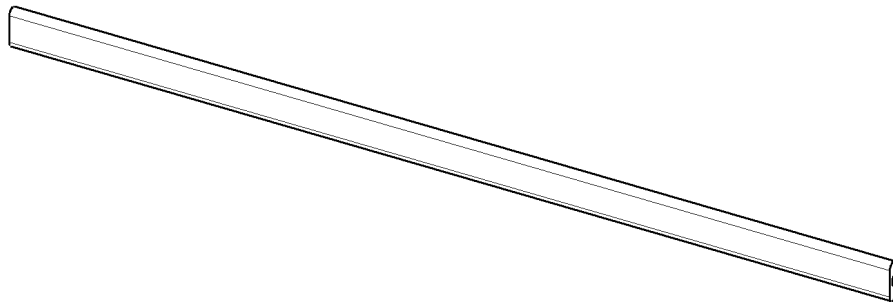
I492082

Wooden side rail

Ident. no.: I49I224-XXXX (standard), I49I305-XXXX (extended 20 cm)

June 2006

<i>Pos.</i>	<i>Qty.</i>	<i>Ident. no.:</i>	<i>Description</i>
	4	I488660-XXXX	Wooden side rail bar, standard
		I49I382-XXXX	Wooden side rail bar, extended



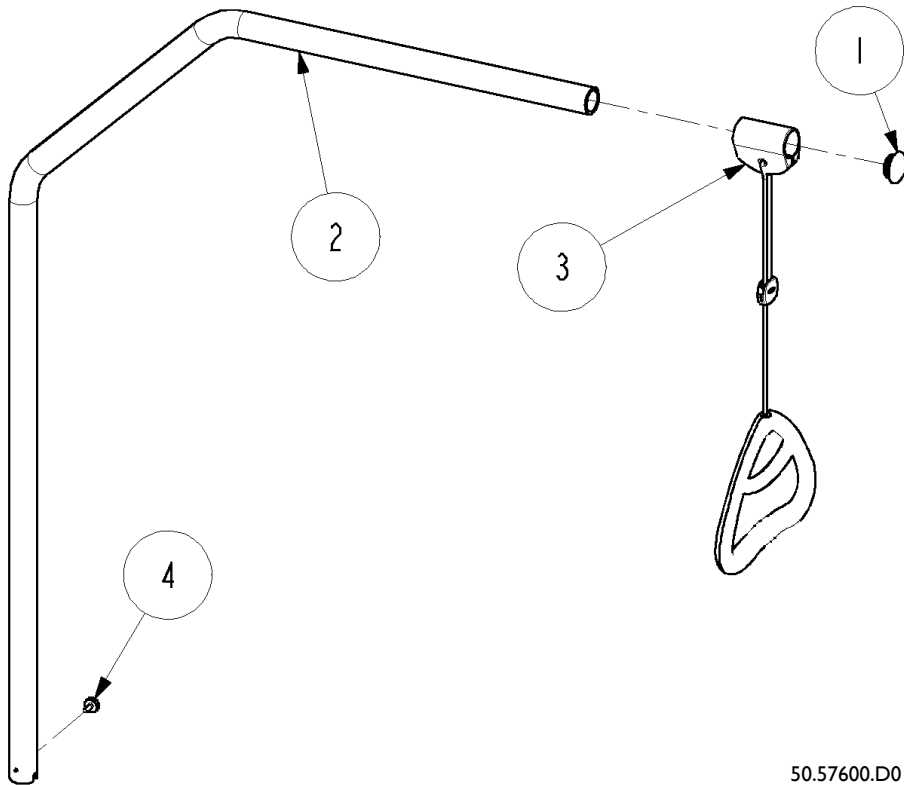
I49I382

Lifting pole

Ident. no.: 50.57600.XX

June 2006

Pos.	Qty.	Ident. no.:	Description
1	1	317836	Plug for lifting pole
2	1		Lifting pole tube
3	1	320597	Lifting pole handle with cord
4	1	803979-XXXX	Adjusting screw M6X16

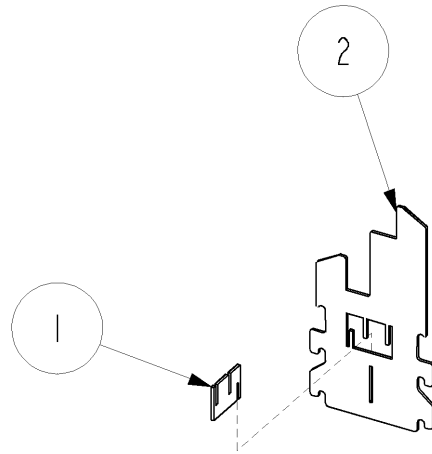


50.57600.D0

Transport bracket

June 2006

<i>Pos.</i>	<i>Qty.</i>	<i>Ident. no.:</i>	<i>Description</i>
1	2	1492933	Scarf for lifting pole
2	2	1492934	Transport bracket for Etude Medley



ETUDE-4-EU-26



Customer Sales and Service

Denmark

INVACARE A/S
Sdr. Ringvej 39
DK-2605 Brøndby
Phone: +45 36 90 00 00
Fax: +45 36 90 00 01
www.invacare.dk
denmark@invacare.com

Sweden & Finland

INVACARE AB
Fagerstagatan 9 / Box 66
S-163 91 Spånga
Phone: +46 8 761 70 90
Fax: +46 8 761 81 08
www.invacare.se
sweden@invacare.com

Norway & Iceland

INVACARE AS
Grensesvingen 9
Postbox 6230 Etterstad
N-0603 Oslo
Phone: +47 22 57 95 00
Fax: +47 22 57 95 01
www.invacare.no
norway@invacare.com

Spain

INVACARE S.A.
C/Areny s/n
Poligon Industrial de Celrà
E-17460 Celrà (Girona)
Phone: +34 972 49 32 00
Fax: +34 972 49 32 20
www.invacare.es
contactsp@invacare.com

Invacare® EC-Høng A/S
Ident. no.: 1493087
Version 01 06.2006

Belgium & Luxemburg

INVACARE N.V.
Autobaan 22
B-8210 Loppem, Brügge
Phone: +32 50 83 10 10
Fax: +32 50 83 10 11
www.invacare.be
belgium@invacare.com

Netherlands

INVACARE B.V.
Celsiusstraat 46
NL-6716 BZ Ede
Phone: +31 318 695 757
Fax: +31 318 695 758
www.invacare.nl
care@invacare.com

Germany

Aquatec GmbH
Alemannenstrasse 10
88316 Isny
Phone: +49 (0) 75 62 700 0
Fax: +49 (0) 75 62 700 66
www.aquatec.de
info@aquatec.de

Portugal

INVACARE Lda
Rua Senhora de Campanhã 105
4369-001 Porto
Phone: +351 225 1059 46/47
Fax: +351 225 1057 39
portugal@invacare.com

Australia

INVACARE Australia Pty Ltd
1 Lenton Place
North Rocks
NSW 2151
Phone: +61 2 8839 5333
Fax: +61 2 8839 5353
www.invacare.com.au
sales@invacare.com.au

France

INVACARE Poirier S.A.S
Route de St Roch
F-37230 Fondettes
Phone: +33 2 47 62 64 66
Fax: +33 2 47 42 12 24
www.invacare.fr
contactfr@invacare.com

Italy

INVACARE MECC SAN S.R.L.
Via dei Pini 62
I-36016 Thiene (VI)
Phone: +39 0445 38 00 59
Fax: +39 0445 38 00 34
www.invacare.it
italia@invacare.com

United Kingdom & Ireland

INVACARE LTD
South Road
Bridgend Industrial Estate
UK-Bridgend, CF31 3PY
Phone: +44 1 656 664 321
Fax: +44 1 656 667 532
www.invacare.co.uk
uk@invacare.com

New Zealand

INVACARE NZ
4 Westfield Place,
Mt. Wellington
Auckland
Phone: +64 9 917 3939
Fax: +64 9 917 3957
www.invacare.co.nz
sales@invacare.co.nz

Hatfield
2/122 Taradale Road
Napier
Phone: +64 6 843 3119
Fax: +64 6 843 3445
sales@hatfield.co.nz

Manufacturer:



QUALITY SYSTEM
DS/EN ISO 9001
DS/EN ISO 13485

INVACARE EC-Høng A/S
Østergade 3
DK-4270 Høng
www.invacarebeds.dk