



Invacare® **ScanBed 750**



Order Guide - GB

Invacare® *EC-Høng AIS*
Ident. No.: 1424021
Version 04 01.2006



Invacare® **ScanBed 750**

Contents

	Page
Information about using this list.....	3
Top frame with mattress support – alu / wood.....	4 – 5
Top frame head, complete – alu / wood	6 – 7
Top frame foot, complete – alu / wood	8 – 9
Top frame with welded steel mattress support – 105 and 120 cm.....	10 – 11
Top frame head, complete – with welded steel mattress support – 105 and 120 cm.....	12 – 13
Top frame foot, complete – with welded steel mattress support – 105 and 120 cm.....	14 – 15
Base – Standard and 120 cm	16 – 17
Central braking castors – with and without direction control.....	18 – 19
Braking castor	20 – 21
Low-slung set with ø75 mm braking castor.....	22 – 23
24 volt back rest motor	24 – 25
24 volt thigh section motor.....	26 – 27
24 volt leg section motor.....	28 – 29
24 volt motor for height adjustment.....	30 – 31
Gas spring – leg section.....	32 – 33
Control unit CB 09 without accumulator back-up	34 – 35
Control unit CB 09 with accumulator back-up.....	36 – 37
Hand control box for control unit CB 09.....	38 – 39
Fittings for wooden bed ends FLEX III.....	40 – 41
FLEX III wooden bed ends.....	42 – 43
Fittings for wooden bed ends SANNE III	44 – 45
SANNE III wooden bed ends	46 – 47
Fittings with u-profiles for ODA – PIGGY and CLAUDINE bed ends	48 – 49
ODA – PIGGY and CLAUDINE bed ends.....	50 – 51
BRITT III – wooden side rail	52 – 53
Metal side rail – Model 5519 – 5538 – 5539	54 – 55
Metal side rail with plastic insert – Model 5526 – 5527 – 5528.....	56 – 57
Bumper wheel ø75 / ø100 / ø150 mm.....	58 – 59
Lifting pole – Model 5760	60 – 61

Information about using this list

Order of wearing parts/exchange kit:

In the table of contents on page 2 you can see where in the list you can find the wanted part/kit.

Wearing parts are sold in exchange kits with an order number for the entire kit.

The order number is as shown below marked with light grey background:

Order of spare parts:

In the table of contents on page 2 you can see where in the list you can find the wanted part. Spare parts are sold individually.

The order number is as shown below marked with dark grey background:

Top frame with mattress support – alu / wood						Page 1 of 2
Ident. No.:						
Top frame head, alu, 85 cm: 021346.XX / Top frame foot, alu, 85x183 cm: 021325 / Top frame foot, alu, 85x200 cm: 021347.XX						
Top frame head, wood, 85 cm: 021905.XX / Top frame foot, wood, 85x183 cm: 021926 / Top frame foot, wood, 85x200 cm: 021906.XX						
Top frame head, alu, 90 cm: 021394.XX / Top frame foot, alu, 90x183 cm: 021400 / Top frame foot, alu, 90x200 cm: 021395.XX						
Top frame head, wood, 90 cm: 021907.XX / Top frame foot, wood, 90x183 cm: 021927 / Top frame foot, wood, 90x200 cm: 021908.XX						
						January 2004
Pos.	Spare parts	Exchange kit Ident. No. 020005	Exchange kit Ident. No. 020006 / 020029	Exchange kit Ident. No. 020007	Pcs.	Description
03		X			4	Nylon wheel
04		X			4	Starlock button ø16
05			X		4	Plastic mattress handle, for 85 cm mattress support – 020006 Plastic mattress handle, for 90 cm mattress support - 020029
06	319787				1	Tube frame for backrest
07	314884-7035				30 / 28	Fitting for lamella

Order of a complete unit:

In the table of contents on page 2 you can see where in the list you can find the wanted unit of the bed.

The order number is as shown below marked with grey background:

Base – Standard and 120 cm						Page 1 of 2
2						
Ident. No.:						
Standard base for 85 / 90 / 105 cm top frame: 021345.XX						
Wide base for 120 cm top frame: 021355.XX						
						January 2004
Pos	Complete	Exchange kit Ident. No. 020030	Exchange kit Ident. No. 020009	Exchange kit Ident. No. 020010	Pcs.	Description
01	X	X			1	Nylon wheel, ø40
02	X				1	Axle

Painted parts and wooden parts:

If an order number is followed by “.XX”, you have to fill in the colour code and/or the code for the type of wood of your bed, because the order number contains one of or both of these elements.

FLEX III wooden bed ends			Page 1 of 2
Ident. No.:			
85 cm mattress support: 020417.XX			
90 cm mattress support: 020737.XX			
105 cm mattress support: 021336.XX			
120 cm mattress support: 021917.XX			
			January 2004
Pos.	Pcs.	Description	

01	8	Furniture screw M6x40
02	2	Wooden bed end FLEX III

Top frame with mattress support - alu / wood

Page 1 of 2

Ident. No.:

Top frame head, alu, 85 cm: 021346.XX / Top frame foot, alu, 85x183 cm: 021325 / Top frame foot, alu, 85x200 cm: 021347.XX

Top frame head, wood, 85 cm: 021905.XX / Top frame foot, wood, 85x183 cm: 021926 / Top frame foot, wood, 85x200 cm: 021906.XX

Top frame head, alu, 90 cm: 021394.XX / Top frame foot, alu, 90x183 cm: 021400 / Top frame foot, alu, 90x200 cm: 021395.XX

Top frame head, wood, 90 cm: 021907.XX / Top frame foot, wood, 90x183 cm: 021927 / Top frame foot, wood, 90x200 cm: 021908.XX

January 2006

Pos.	Spare parts	Exchange kit Ident. No. 020005	Exchange kit Ident. No. 020006 / 020029	Exchange kit Ident. No. 020007	Exchange kit Ident. No. 1432800	Pcs.	Description
01					X	6	Bolt
02					X	6	Washer
03					X	6	Nut
04	219567					1	Lifter backrest
05		X				4	Nylon wheel
06		X				4	Starlock button ø16
07			X			4	Plastic mattress handle 85cm-020006 Plastic mattress handle 90cm-020029
08	319787					1	Tube frame for backrest
09	314884.7035					30 / 28	Fitting for lamella
10	420128					15 / 14	Lamella - alu
10A	420628					15 / 14	Lamella - wood
11	319800					2	Hinged joint
12	803008					1	Set screw M8x40
13	802729					1	Nut M8
14	221150.XX					1	Steering arm
15		X				4	Ferrule 25x25
16	320882.XX					1	Lifter thigh section
17	420127					2	Tube for thigh section
18	421458.XX					1	Distance tube
19	420623					4	Pillar bolt
20	314885					4	Hinged joint
21	319788					1	Tube frame for leg section: 200 cm
21A	320850					1	Tube frame for leg section: 183 cm
22	420163					1	Mattress handle, alu
23	221146.XX					1	Lifter leg section
24				X		4	Screw self boring 5x19
25		X				4	Ferrule 20x20
26				X		2	Lock fitting incl spring and pin
27	812875					6	Screw M8x12
28	421459					2	Tube for seat section
29	320516.60					2	Insertion tube
30		X				4	Ferrule ø32
31	1423913					4	Thumb screw
32		X				12	Bearing bush
33		X				12	Fixing tube
34		X				2	Ferrule 45x3.5
35	320881.XX					1	Parallel arm
36	420620.XX					1	Lug

Top frame with mattress support - alu / wood

Ident. No.:

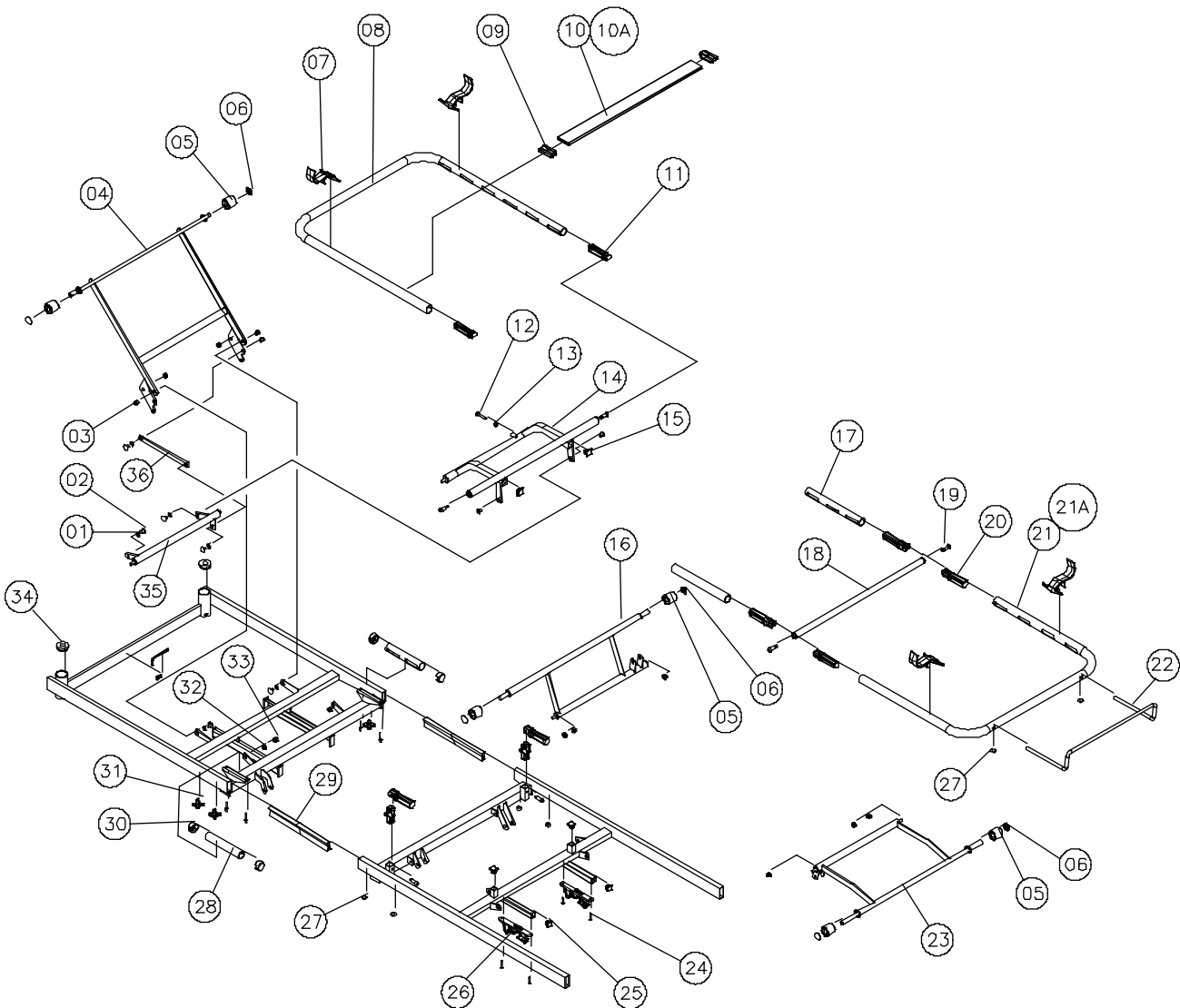
Top frame head, alu, 85 cm: 021346.XX / Top frame foot, alu, 85x183 cm: 021325 / Top frame foot, alu, 85x200 cm: 021347.XX

Top frame head, wood, 85 cm: 021905.XX / Top frame foot, wood, 85x183 cm: 021926 / Top frame foot, wood, 85x200 cm: 021906.XX

Top frame head, alu, 90 cm: 021394.XX / Top frame foot, alu, 90x183 cm: 021400 / Top frame foot, alu, 90x200 cm: 021395.XX

Top frame head, wood, 90 cm: 021907.XX / Top frame foot, wood, 90x183 cm: 021927 / Top frame foot, wood, 90x200 cm: 021908.XX

January 2006



Top frame head, complete - alu / wood

Page 1 of 2

Ident. No.:

Top frame head, alu, 85 cm: 021346.XX

Top frame head, wood, 85 cm: 021905.XX

Top frame head, alu, 90 cm: 021394.XX

Top frame head, wood, 90 cm: 021907.XX

January 2006

Pos.	Pcs.	Description
01	6	Bolt
02	6	Washer
03	6	Nut
04	1	Lifting arm
05	2	Nylon wheel
06	4	Starlock button ø16
07	2	Plastic mattress handle
08	1	Tube frame for backrest
09	12	Fitting for lamella
10	8	Lamella, alu
10A	8	Lamella, wood
11	2	Hinged joint
12	1	Set screw M8x40
13	1	Nut M8
14	1	Steering lever, head
15	2	Ferrule
17	2	Pillar bolt
24	2	Pop rivet
28	4	Ferrule
29	2	Tube for thigh section
31	4	Thumb screw
32	2	Bearing bush
33	4	Fixing tube
34	2	Dupsko
35	1	Parallel lifter
36	1	Lug

Top frame head, complete - alu / wood

Ident. No.:

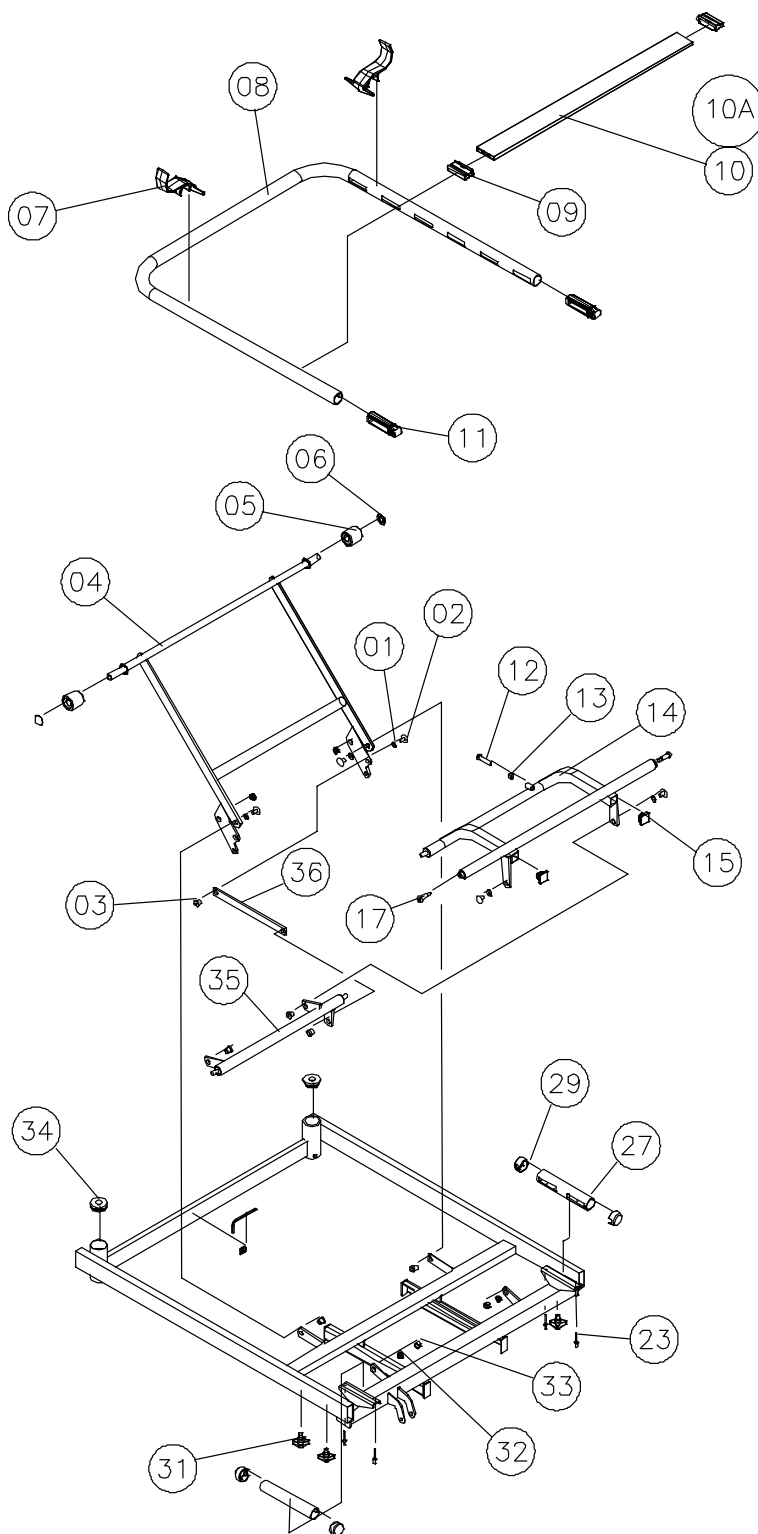
Top frame head, alu, 85 cm: 021346.XX

Top frame head, wood, 85 cm: 021905.XX

Top frame head, alu, 90 cm: 021394.XX

Top frame head, wood, 90 cm: 021907.XX

January 2006



Top frame foot, komplet - alu / wood

Page 1 of 2

Ident. No.:

Top frame foot, alu, 85x183 cm: 021325.XX / Top frame foot, alu, 85x200 cm: 021347.XX

Top frame foot, wood, 85x183 cm: 021926.XX / Top frame foot, wood, 85x200 cm: 021906.XX

Top frame foot, alu, 90x183 cm: 021400.XX / Top frame foot, alu, 90x200 cm: 021395.XX

Top frame foot, wood, 90x183 cm: 021927.XX / Top frame foot, wood, 90x200 cm: 021908.XX

January 2006

Pos.	Pcs.	Description
05	4	Nylon wheel
06	4	Starlock button \varnothing 16
07	2	Plastic mattress handle
09	12/14	Fitting for lamella
10	6/7	Lamella, alu
10A	6/7	Lamella, wood
16	1	Lifter, thigh section
17	2	Tube for thigh section
18	1	Distance tube
19	2	Pillar bolt
20	4	Hinged joint
21	1	Tube frame, leg section
22	1	Mattress handle, alu
23	1	Lifter, leg section
24	4	Screw \varnothing 5.5x19
25	4	Ferrule
26	2	Lock fitting incl spring and pin
28	6	Screw M8x12
29	2	Insertion tube
32	4	Bearing bush
33	2	Screw Taptite 5x12

Top frame foot, complete, alu / wood

Ident. No.:

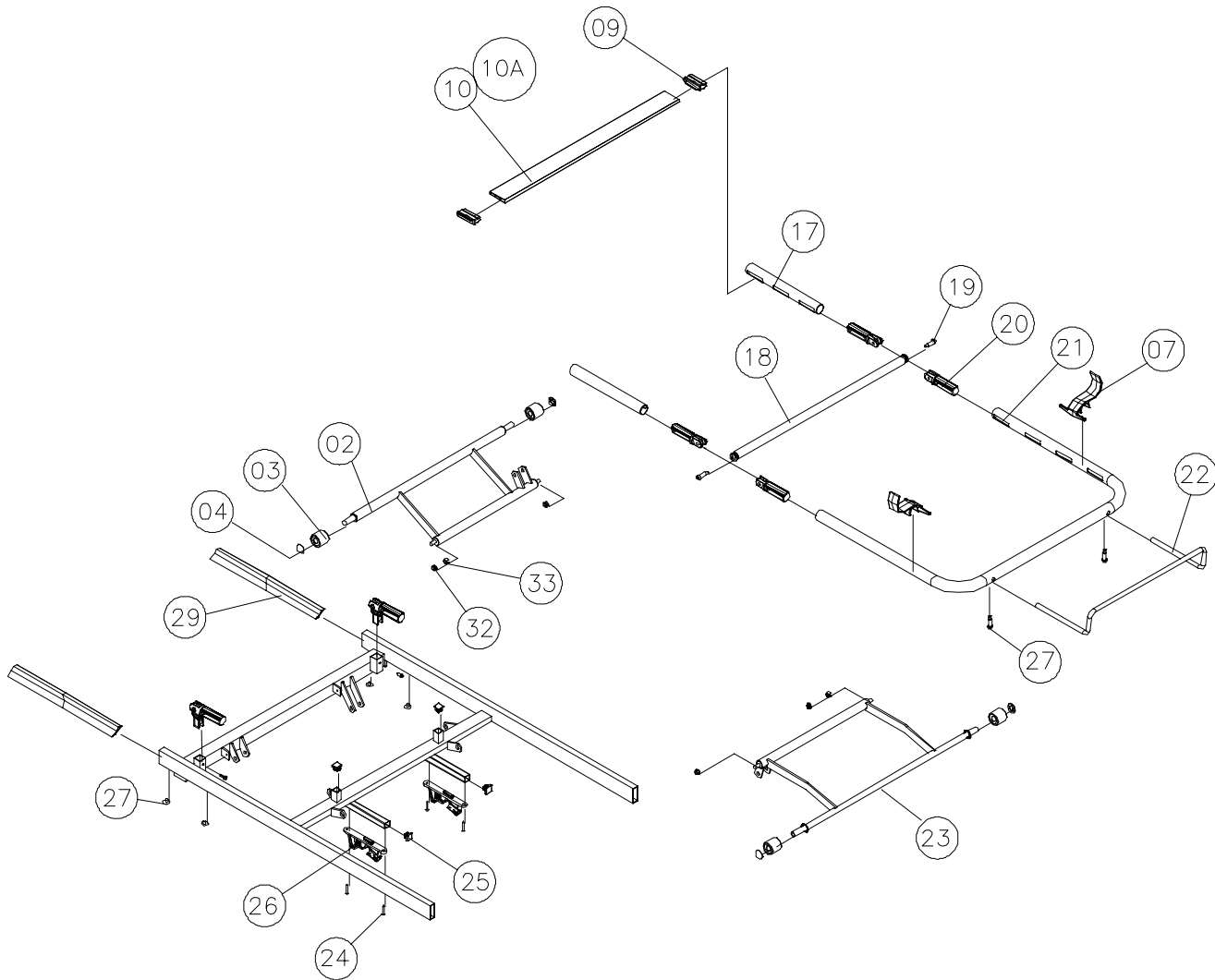
Top frame foot, alu, 85x183 cm: 021325.XX / Top frame foot, alu, 85x200 cm: 021347.XX

Top frame foot, wood, 85x183 cm: 021926.XX / Top frame foot, wood, 85x200 cm: 021906.XX

Top frame foot, alu, 90x183 cm: 021400.XX / Top frame foot, alu, 90x200 cm: 021395.XX

Top frame foot, wood, 90x183 cm: 02192.XX7 / Top frame foot, wood, 90x200 cm: 021908.XX

January 2006



Top frame with welded steel mattress support - 105 and 120 cm

Page 1 of 2

Ident. No.:

Top frame head, 105 cm: 021334 .XX/ Top frame foot, 105x200 cm: 021331.XX

Top frame head, 120 cm: 021356.XX / Top frame foot, 120x200 cm: 021373.XX

January 2006

Pos	Spare parts	Exchange kit Ident. No. 020005	Exchange kit Ident. No 020007	Exchange kit Ident. No 1432800	Pcs.	Description
01				X	6	Bolt
02				X	6	Washer
03				X	6	Nut
04	221177.XX				1	Lifter backrest 105cm
04A	320892.XX				1	Lifter backrest 120cm
05		X			4	Nylon wheel
06		X			4	Starlock button ø16
07	215981				4	Plastic mattress handle
08	221127.XX				1	Backrest 105cm
08A	320892.XX				1	Backrest 120cm
09	319800				2	Hinged joint
10	803008				1	Set screw M8x40
11	802729				1	Nut M8
12	221124.XX				1	Steering arm head 105cm
12A	221143.XX				1	Steering arm head 120cm
13		X			4	Ferrule 25x25
14	320846.XX				1	Lifter thigh section 105cm
14A	320868.XX				1	Lifter thigh section 120cm
15	320876.XX				1	Welded thigh section 105cm
15A	321503.XX				1	Welded thigh section 120cm
16	420975.XX				1	Distance tube 105 cm
16A	421430.XX				1	Distance tube 120 cm
17	420623				4	Pillar bolt
18	314885				4	Hinged jointled
20	415235				1	Mattress handle, alu
21	221126.XX				1	Lifter leg section 105cm
21A	221140.XX				1	Lifter leg section 120cm
22			X		4	Screw, self-boring 5x19
23		X			4	Ferrule 20x20
24			X		2	Lock fitting incl spring and pin
25	812875				6	Screw M8x12
26	320516.60				2	Insertion tube
27		X			4	Ferrule ø32
28	1423913				4	Thumb screw
29		X			8	Bearing bush
30		X			4	Fixing tube
31		X			2	Ferrule 45x3.5
32	320847.XX				1	Parallel lifter
33	420620.XX				1	Lug
34	803833				4	Pop rivet
35	314885				2	Hinged joint
36	420623				2	Screw M8x34

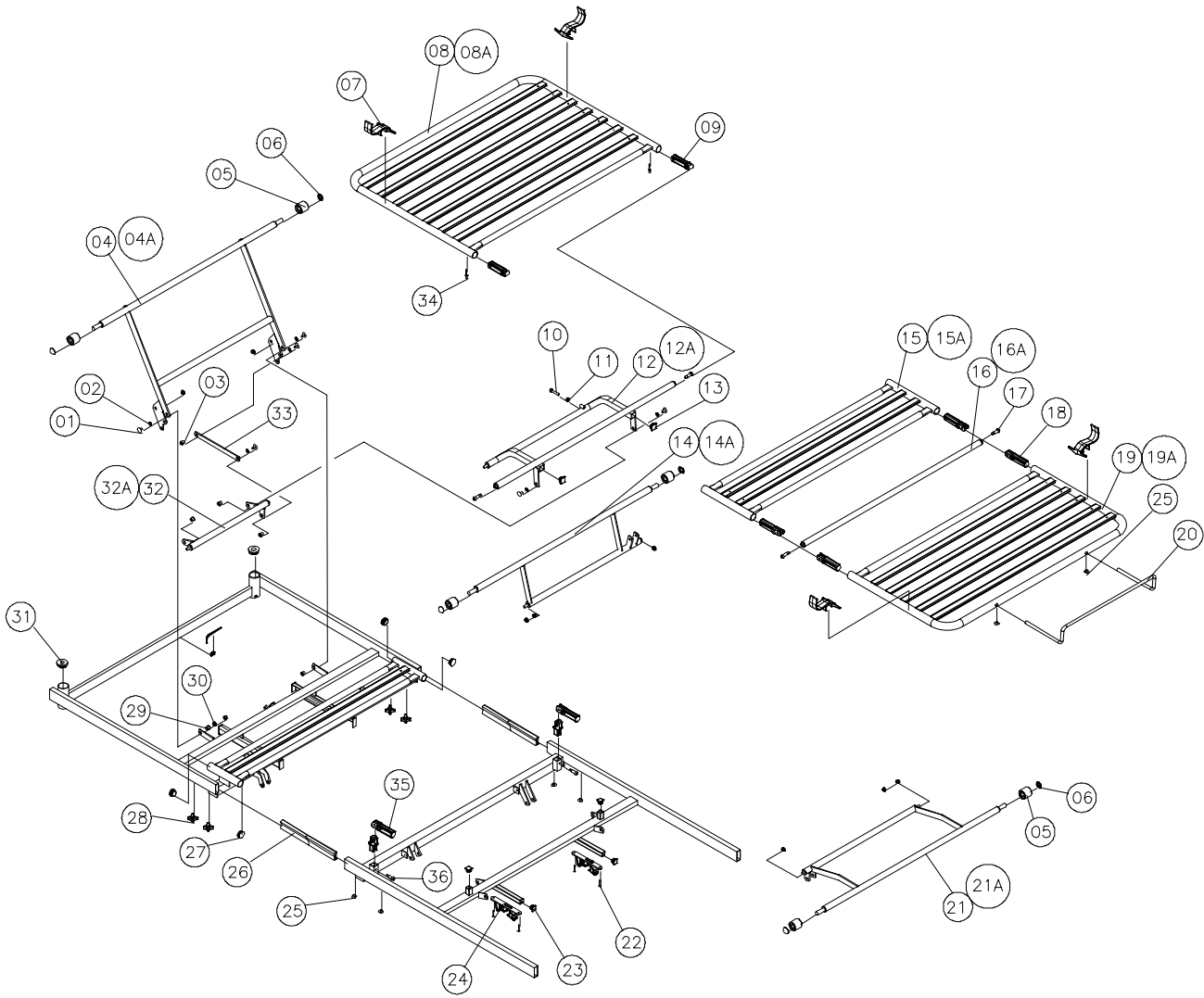
Top frame with welded steel mattress support - 105 and 120 cm

Ident. No.:

Top frame head, 105 cm: 021334.XX / Top frame foot, 105x200 cm: 021331.XX

Top frame head, 120 cm: 021356.XX / Top frame foot, 120x200 cm: 021373.XX

January 2006



Top frame head, complete – welded mattress support 105 and 120 cm

Page 1 of 2

Ident. No.:

Top frame head, 105 cm: 021334.XX

Top frame head, 120 cm: 021356.XX

January 2006

Pos.	Pcs.	Description
01	6	Bolt
02	6	Washer
03	6	Nut
04	1	Lifter, backrest 105cm
04A	1	Lifter, backrest 120cm
05	2	Nylon wheel
06	4	Starlock button ø16
07	2	Plastic mattress handle
08	1	Back rest 105cm
08A	1	Back rest 120cm
09	2	Hinged joint
10	1	Set screw M8x40
11	1	Nut M8
12	1	Steering lever, head 105cm
12A	1	Steering lever, head 120cm
13	2	Ferrule
17	2	Pillar bolt
27	4	Ferrule
28	4	Thumb screw
29	4	Bearing bush
30	2	Fixing tube
31	2	Ferrule
32	1	Parallel lifter 105cm
32A	1	Parallel lifter 120cm
33	1	Lug
34	2	Pop rivet

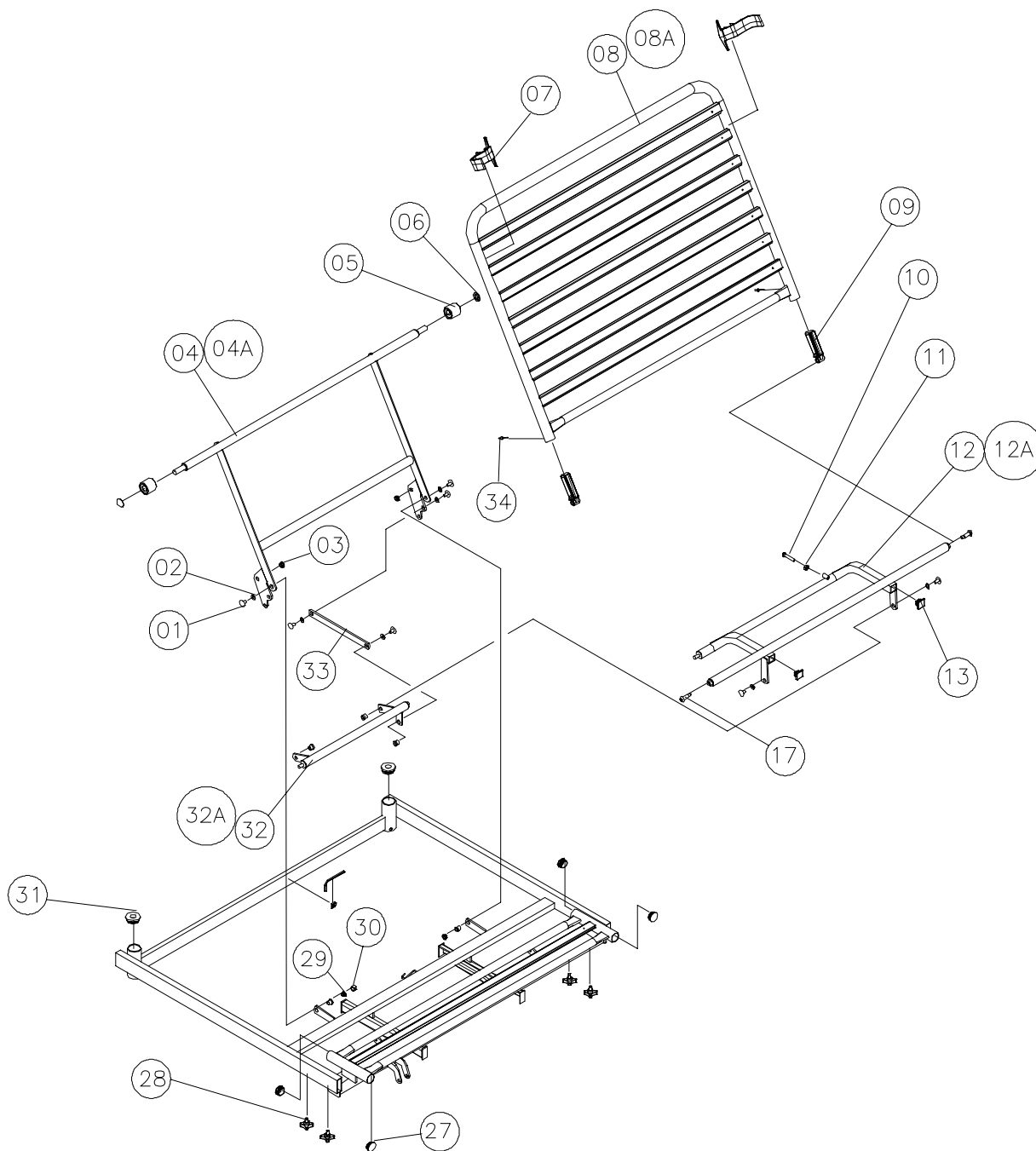
Top frame head, complete - welded mattress support 105 and 120 cm

Ident. No.:

Top frame head, 105 cm: 021334.XX

Top frame head, 120 cm: 021356.XX

January 2006



Top frame foot, complete - welded mattress support 105 and 120 cm

Page 1 of 2

Ident. No.:

Top frame foot, 105x200 cm: 021331.XX

Top frame foot, 120x200 cm: 021373.XX

January 2006

Pos.	Pcs.	Description
05	4	Nylon wheel
06	4	Starlock button ø16
07	2	Plastic mattress handle
14	1	Lifter, thigh section 105cm
14A	1	Lifter, thigh section 120cm
15	1	Thigh section 105cm
15A	1	Thigh section 105cm
16	1	Distance tube, lifter 105cm
16A	1	Distance tube, lifter 120cm
17	2	Pillar bolt
18	4	Hinged jointled
19	1	Leg section 105cm
19A	1	Leg section 120cm
20	1	Mattress handle, alu
21	1	Lifter, leg section 105cm
21A	1	Lifter, leg section 120cm
22	4	Screw ø5.5x19
23	4	Ferrule
24	2	Lock fitting incl spring and pin
25	6	Screw M8x12
26	2	Insertion tube
29	4	Bearing bush
30	2	Fixing tube
34	4	Pop rivet
35	2	Hinged attachment
36	2	Screw M8x34

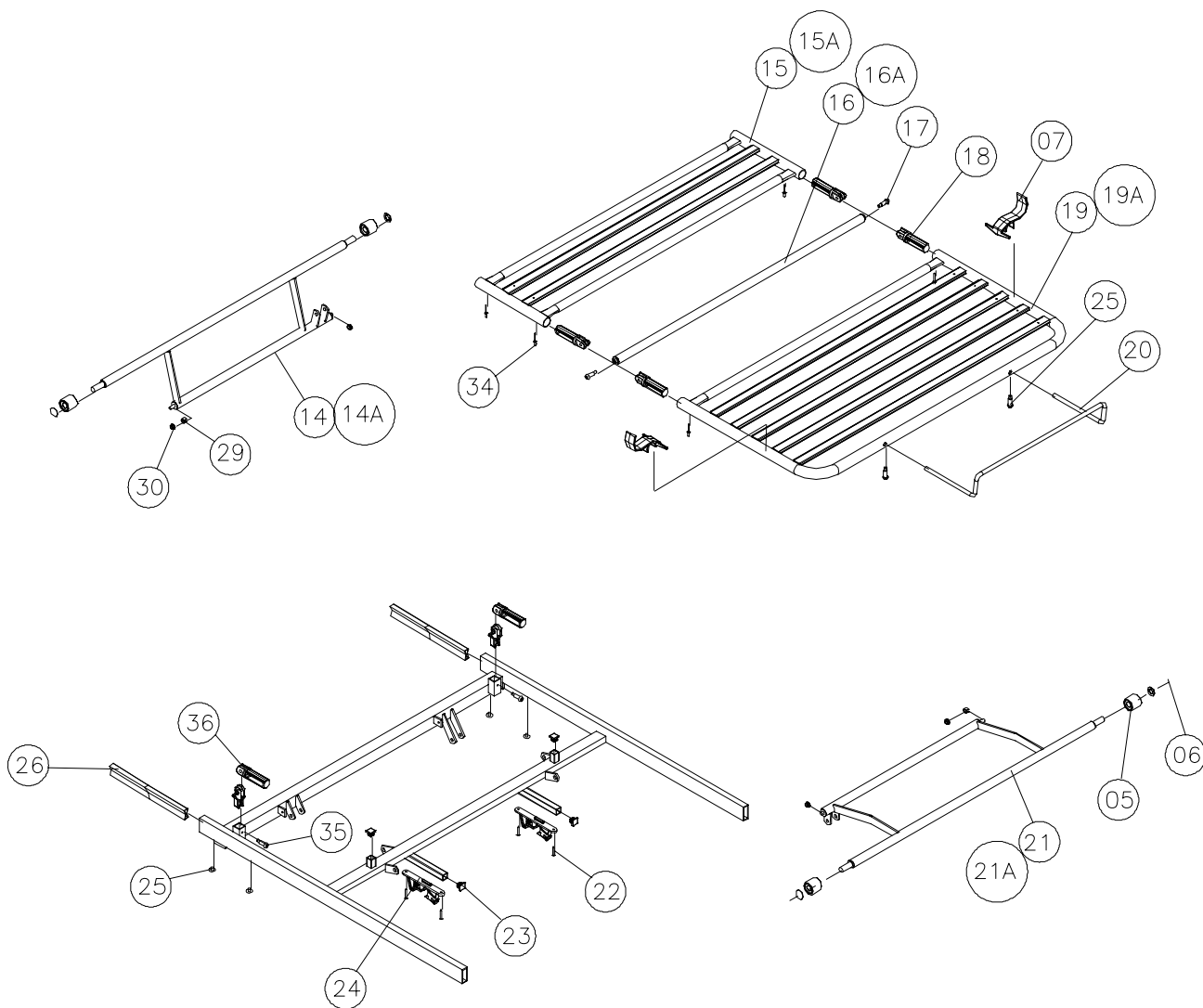
Top frame foot, complete - welded mattress support 105 and 120 cm

Ident. No.:

Top frame foot, 105x200 cm: 021331.XX

Top frame foot, 120x200 cm: 021373.XX

January 2006



Base - Standard and 120 cm

Page 1 of 2

2

Ident. No.:

Standard base for 85 / 90 / 105 cm top frame: 021345.XX

Wide base for 120 cm top frame: 021355.XX

January 2006

Pos	Complete	Exchange kit Ident. No. 020030	Exchange kit Ident. No. 020009	Exchange kit Ident. No. 020010	Pcs.	Description
01	X	X			4	Washer, plastic
02	X	X			1	Nylon wheel, ø40
03	X		X		4	Guide shoe
04	X				1	Inner shear arm
05	X			X	1	Wedge DS 4261
06	X			X	2	Bearing bush
07	X			X	1	Slide bearing for wedge
08	X			X	1	Holder for wedge
09	X		X		2	Centre screw M6x6
10	X			X	2	Screw M6x16
11	X				1	Axle
12	X				1	Outer shear arm
13	X		X		2	Pillar bolt M12x22.3
14	X		X		2	Nylon bush
15	X		X		2	Ferrule
16	X		X		2	Bearing bush
17	X	X			2	Cover for central brake
18	X	X			1	Nylon bush
19	X	X			1	Pin and angle
20	X	X			1	Circlip
21	X				1	Base

Base - Standard and 120 cm

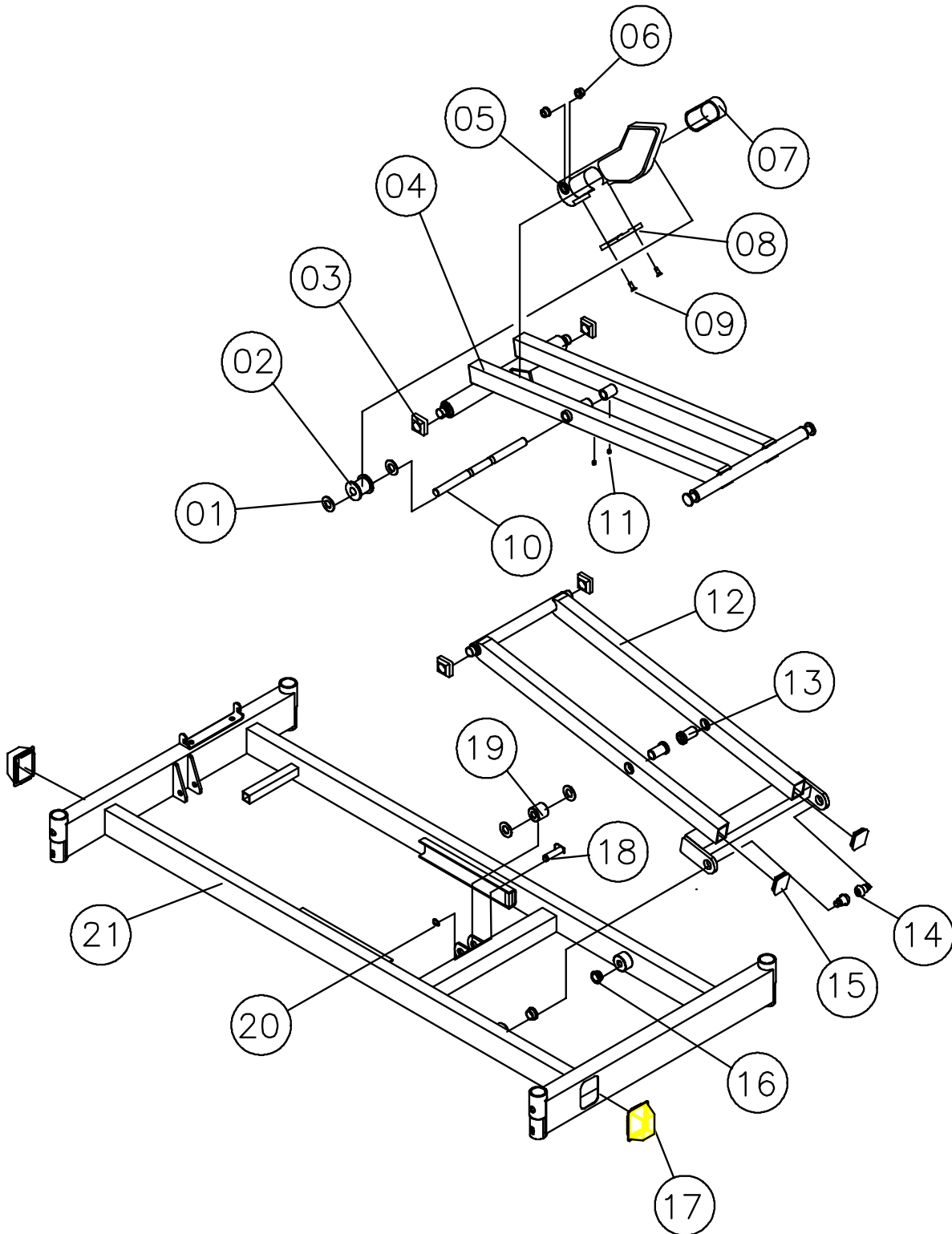
2

Ident. No.:

Standard base for 85 / 90 / 105 cm top frame: 021345.XX

Wide base for 120 cm top frame: 021355.XX

January 2006



Central braking castors - with and without direction control

Page 1 of 2

Ident. No.:

Central braking castor ø100 mm: 020788.XX

Central braking castor ø125 mm: 020438.XX

Central braking castor ø125 mm – with 1 direction controlled castor: 020402.XX

Central braking castor ø150 mm – with 1 direction controlled castor: 020800.XX

Central braking castor ø125 mm – with 1 direction controlled castor – for wide base to 120 cm mattress support:
021374.XX

January 2006

Pos	Complete	Exchange kit Ident. No. 020011.XX	Spare parts	Pcs.	Description
01	X	X		4	Starlock button
02	X			1 / 2 *	Spiral clamp pin ø5x14
03	X			4	Nylon washer
04	X			2	Centre screw M6x8
05	X			2	Retainer
06	X			1	Axle
07	X			4	Screw M8x12
08	X			4	Spring washer M8
09	X			4 3 / 4 3	Central braking castor without direction control ø100 mm Central braking castor without direction control ø125 mm Central braking castor without direction control ø150 mm
10	X			4	Ferrule
11	X	X		1	Double braking pedal - left
12	X			1	Axle
13	X			1	Central braking rod
14	X	X		1	Double braking pedal – right
15	X			1	Spiral clamp pin ø5x36
16	X	X		2	Pedal rubber, red
17	X	X		2	Pedal rubber, green
18	X		1423938 821230	1 1	Central braking castor with direction control ø125 mm Central braking castor with direction control ø150 mm

Central braking castors – with and without direction control

Ident. No.:

Central braking castor \varnothing 100 mm: 020788.XX

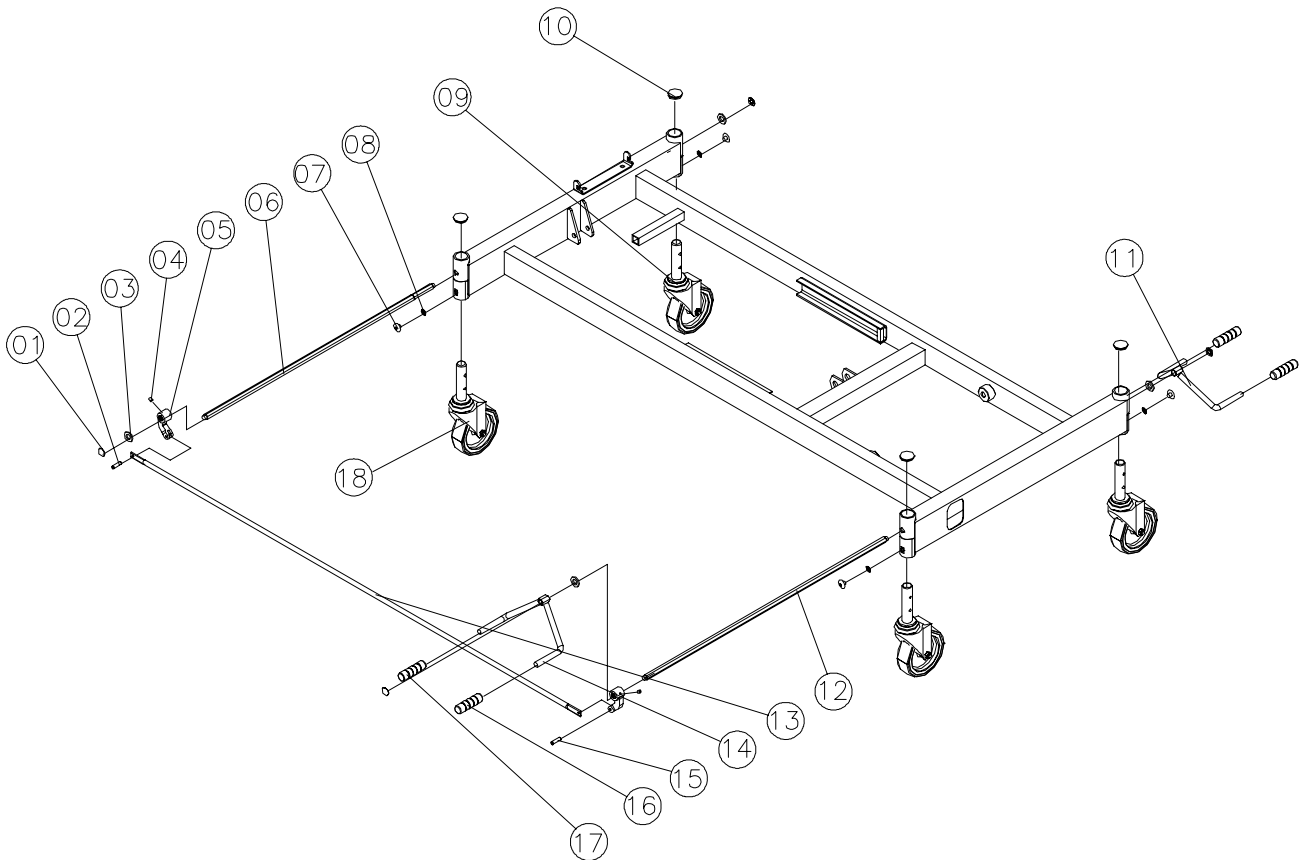
Central braking castor \varnothing 125 mm: 020438.XX

Central braking castor \varnothing 125 mm – with | direction controlled castor: 020402.XX

Central braking castor \varnothing 150 mm – with | direction controlled castor: 020800.XX

Central braking castor \varnothing 125 mm – with | direction controlled castor – for wide base to 120 cm mattress support:
021374.XX

January 2006



Braking castor

Ident. No.:

ø80 mm braking castor: 019398.XX

ø125 mm braking castor: 015111.XX

January 2006

Pos.	Spare parts ø80 mm	Spare parts ø125 mm	Pcs.	
01	1423911	1423911	4	Ferrule
02	1423910	1423910	4	Ferrule
03	803276	803276	4	Star washer
04	806645	806645	4	Screw M8x16
05	803931	817215	4	Braking castor
06	418894.XX	--	4	Thread plug
07	803065	--	4	Screw M12x25

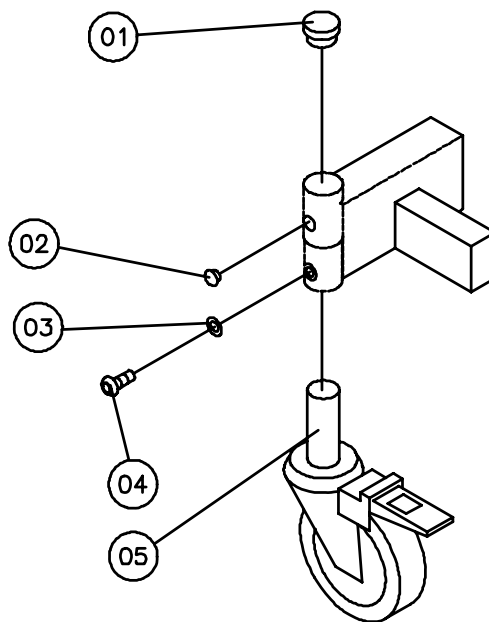
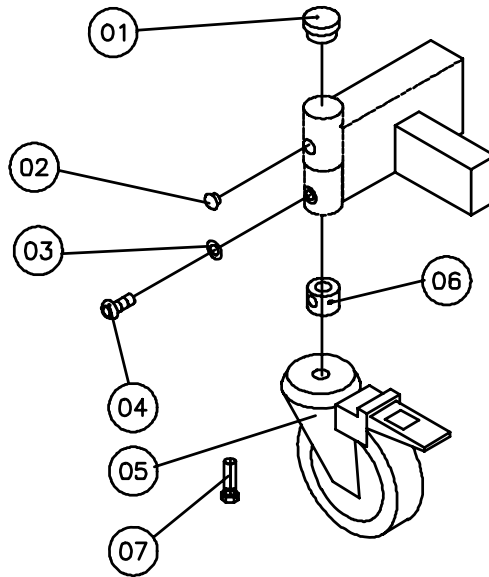
Braking castor

Ident. No.:

ø80 mm braking castor: 019398.XX

ø125 mm braking castor: 015111.XX

January 2006



Low-slung set with ø75 mm braking castor

Page 1 of 2

Ident. No.:

Low-slung set: 021343.XX

January 2006

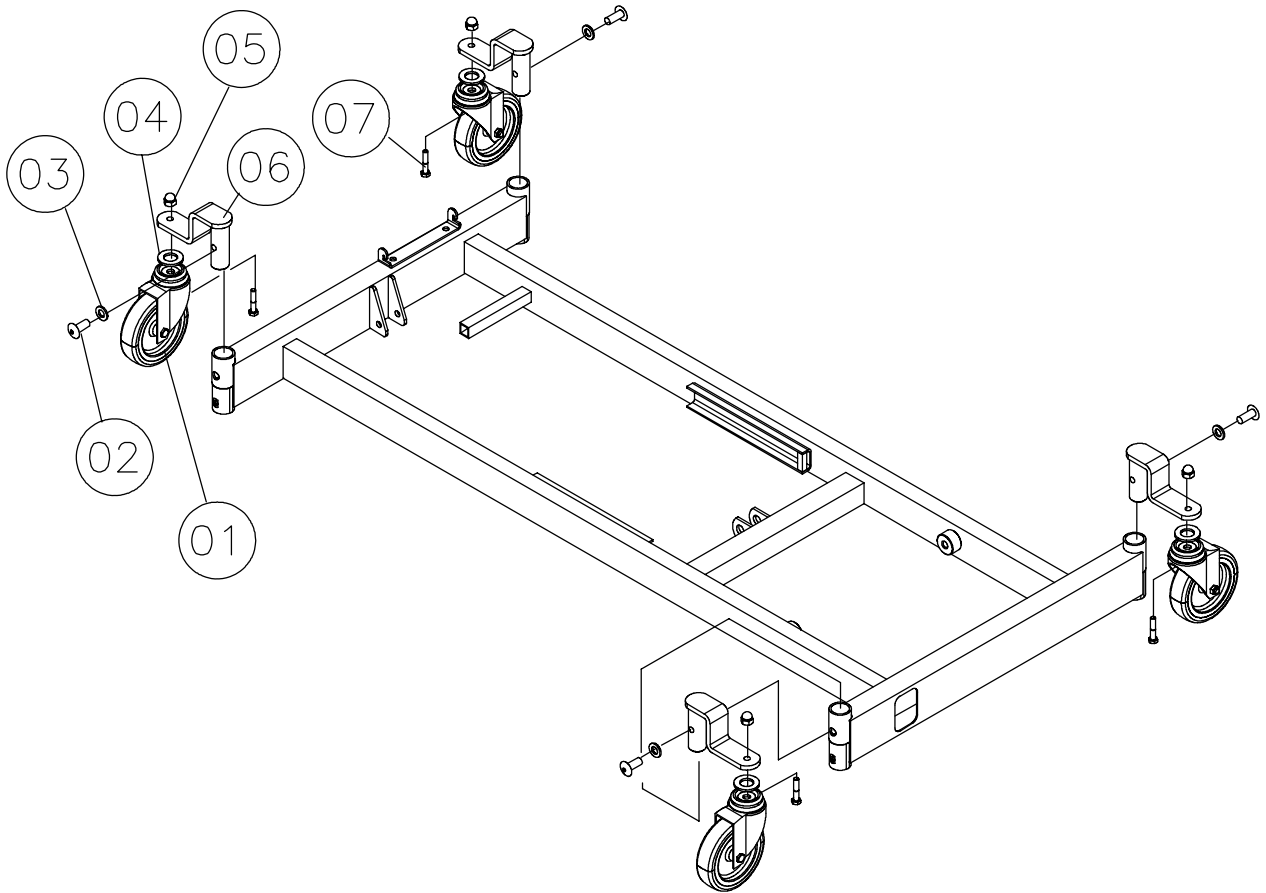
Pos.	Spare parts	Pcs.	Description
01	320880.XX	4	Castor suspension
02	6790023	4	ø75 mm braking castor
03	803273	4	Washer M12
04	806637	4	Set screw M12x30
05	806651	4	Lock nut M10
06	821237	4	Set screw M10x30

Low-slung set with ø75 mm braking castor

Ident. No.:

Low-slung set: 021343.XX

January 2006



24 volt back rest motor

Page 1 of 2

Ident. No.:

24 volt back rest motor – IP66: 021367

24 volt back rest motor – IP66, V0 plastic: 1492484-XXXX

January 2006

Pos.	Spare parts	Pcs.	Description
01	816427	1	Spring-lock
02	819468	1	Split bolt $\varnothing 10 \times 30$
03	819411	1	Pipe-pin $\varnothing 10 \times 50$
04	1423908	1	Motor 24 volt IP66
04	1492475-XXXX	1	Motor 24 volt IP66, V0 plastic
05	821240	1	Wire mark "1"

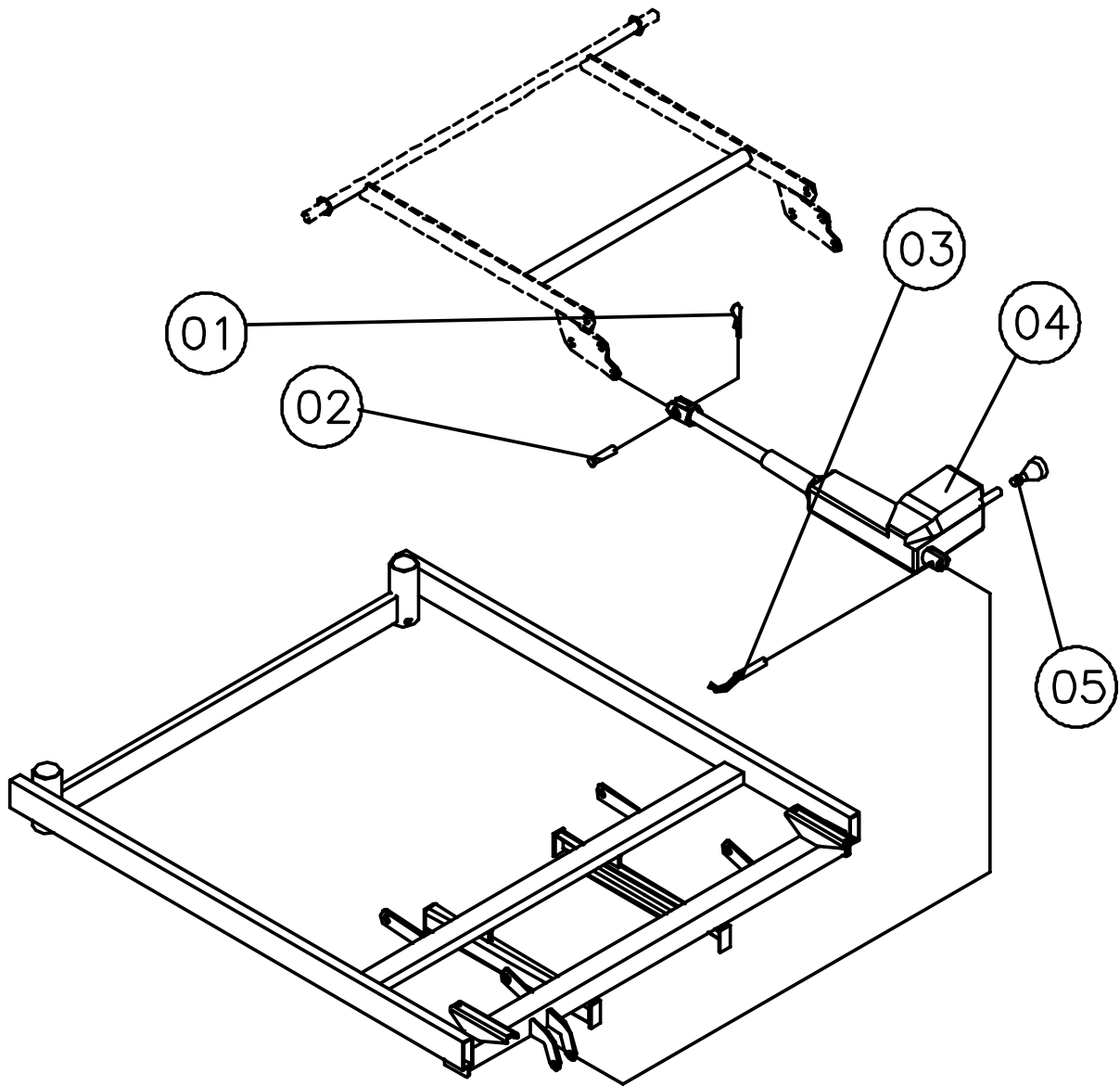
24 volt back rest motor

Ident. No.:

24 volt back rest motor – IP66: 021367

24 volt back rest motor – IP66, V0 plastic: I492484-XXXX

January 2006



24 volt thigh section motor

Page 1 of 2

Ident. No.:

24 volt thigh section motor – IP66: 021368

24 volt thigh section motor – IP66, V0 plastic: 1492485-XXXX

January 2006

Pos.	Spare parts	Pcs.	Description
01	818328	1	Split bolt ø10x45
02	1423903	1	Motor 24 volt IP66
02	1492476-XXXX	1	Motor 24 volt IP66, V0 plastic
03	819411	1	Pipe-pin ø10x50
04	816427	1	Spring-lock
05	821242	1	Wire mark "2"

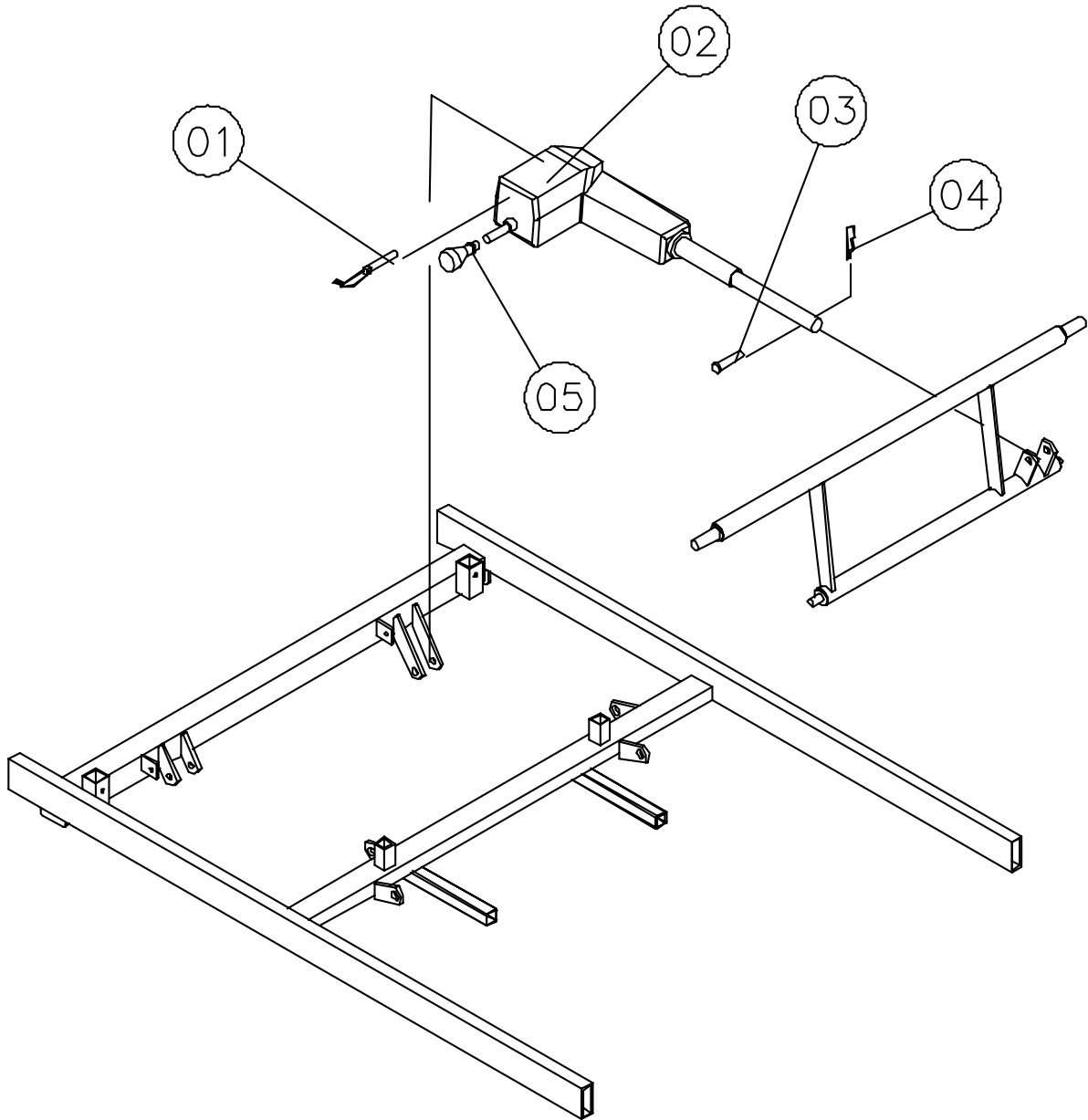
24 volt thigh section motor

Ident. No.:

24 volt thigh section motor – IP66: 021368

24 volt thigh section motor – IP66, V0 plastic: I492485-XXXX

January 2006



24 volt leg section motor

Page 1 of 2

Ident. No.:

24 volt leg section motor – IP66: 021369.XX

24 volt leg section motor – IP66, V0 plastic: 1492486-XXXX

January 2006

Pos.	Spare parts	Pcs.	Description
01	1423903	1	Motor 24 volt IP66
01	1492476-XXXX	1	Motor 24 volt IP66, V0 plastic
02	806762	1	Set screw M12x40
03	420172.XX	1	Tube
04	816427	1	Spring-lock
05	818328	1	Split bolt \varnothing 10x45
06	804481	1	Locknut M12
07	819411	1	Pipe-pin \varnothing 10x50
08	821243	1	Wire mark "4"

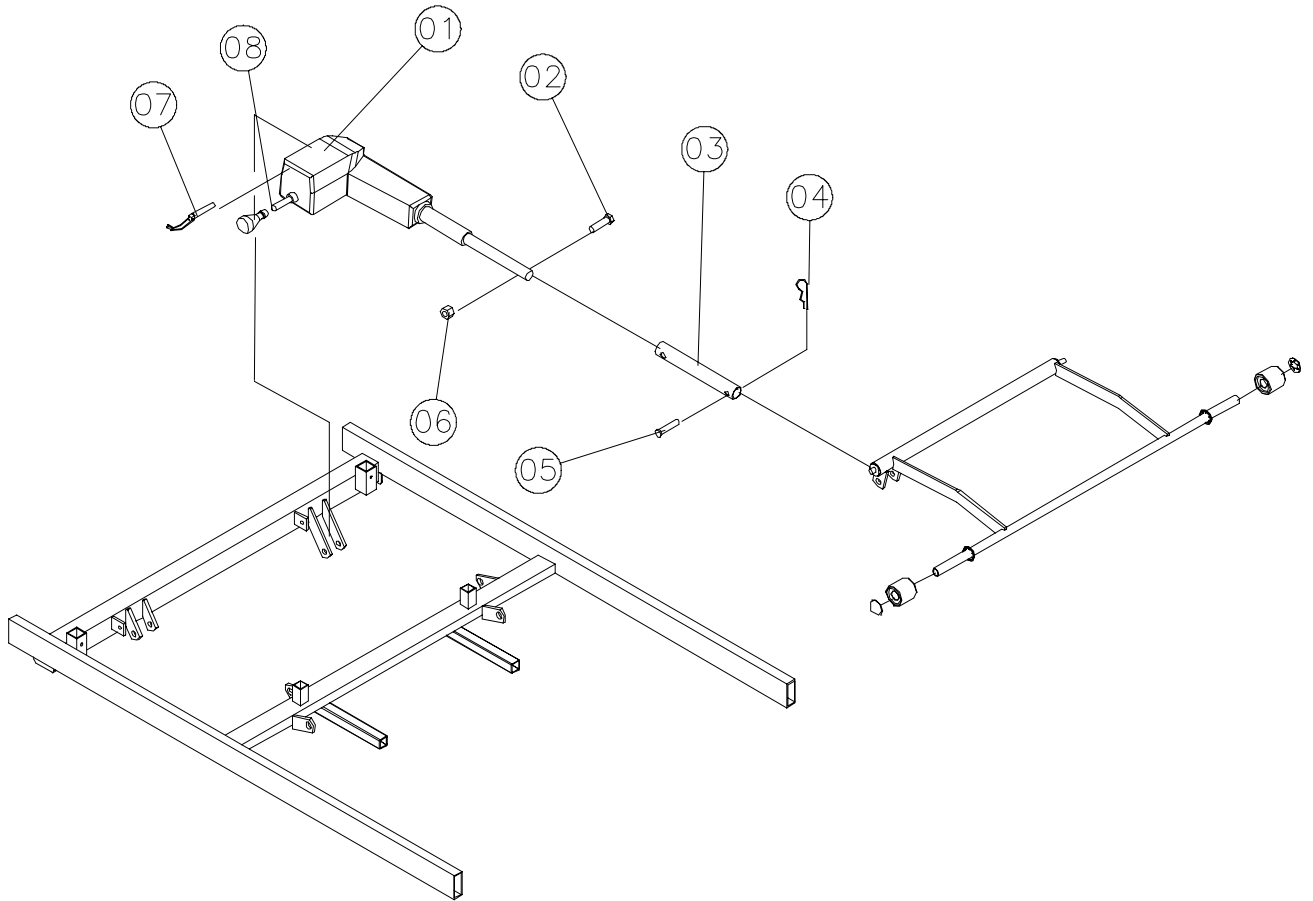
24 volt leg section motor

Ident. No.:

24 volt leg section motor – IP66: 021369.XX

24 volt leg section motor – IP66, V0 plastic: 1492486-XXXX

January 2006



24 volt motor for height adjustment

Ident. No.:

24 volt motor for height adjustment – standard base: 021370

24 volt motor for height adjustment – wide base – 120 cm: 021393

24 volt motor for height adjustment – standard base, V0 plastic: 1492506-XXXX

24 volt motor for height adjustment – wide base – 120 cm, V0 plastic: 1492508-XXXX

January 2006

Pos.	Spare parts Standard	Spare parts Wide for 120cm	Pcs.	
01	1423901	1423909	1	Motor 24 volt IP 66
01	1492477- XXXX	1492479-XXXX	1	Motor 24 volt IP 66, V0 plastic
02	821204	821204	2	Split bolt ø10
03	816427	816427	2	Spring lock
04	811241	811241	1	Wire mark "2"

24 volt motor for height adjustment

Ident. No.:

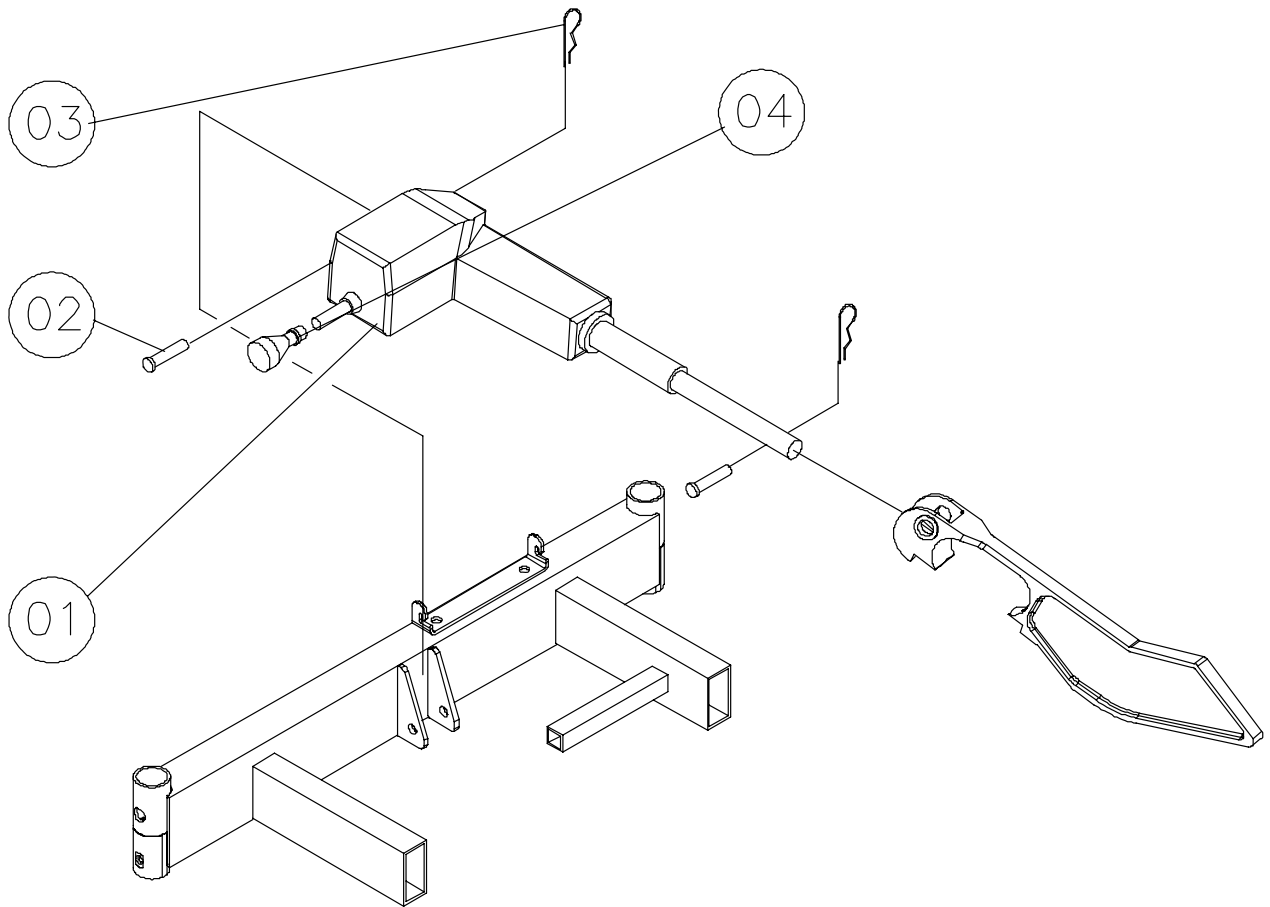
24 volt motor for height adjustment – standard base: 021370

24 volt motor for height adjustment – wide base – 120 cm: 015111

24 volt motor for height adjustment – standard base, V0 plastic: 1492506-XXXX

24 volt motor for height adjustment – wide base – 120 cm, V0 plastic: 1492508-XXXX

January 2006



Gas spring – leg section

Page 1 of

2

Ident. No.:

Gas spring – leg section – 85 cm: 021371.XX

Gas spring – leg section – 90 cm: 021372.XX

January 2006

Pos	Complete	Exchange kit Ident. No. 020012.XX 85 cm	Exchange kit Ident. No. 020013.XX 90 cm	Exchange kit Ident. No. 020014	Exchange kit Ident. No. 020015	Pcs.	Description
01	X	X	X	X		2	Handle
02	X	X	X			1	Release lever 85 / 90 cm
03	X	X	X	X		2	Screw M5x22
04	X	X	X	X		2	Holder for release lever
05	X	X	X	X		2	Locknut M5
06	X				X	1	Pipe-pin ø10x50
07	X				X	1	Locknut M6
08	X				X	1	Gas spring suspension
09	X				X	1	Screw M6x35
10	X				X	1	Gas spring 18-2-394-45 1000N
11	X				X	1	Split bolt ø10x45
12	X				X	1	Spring-lock

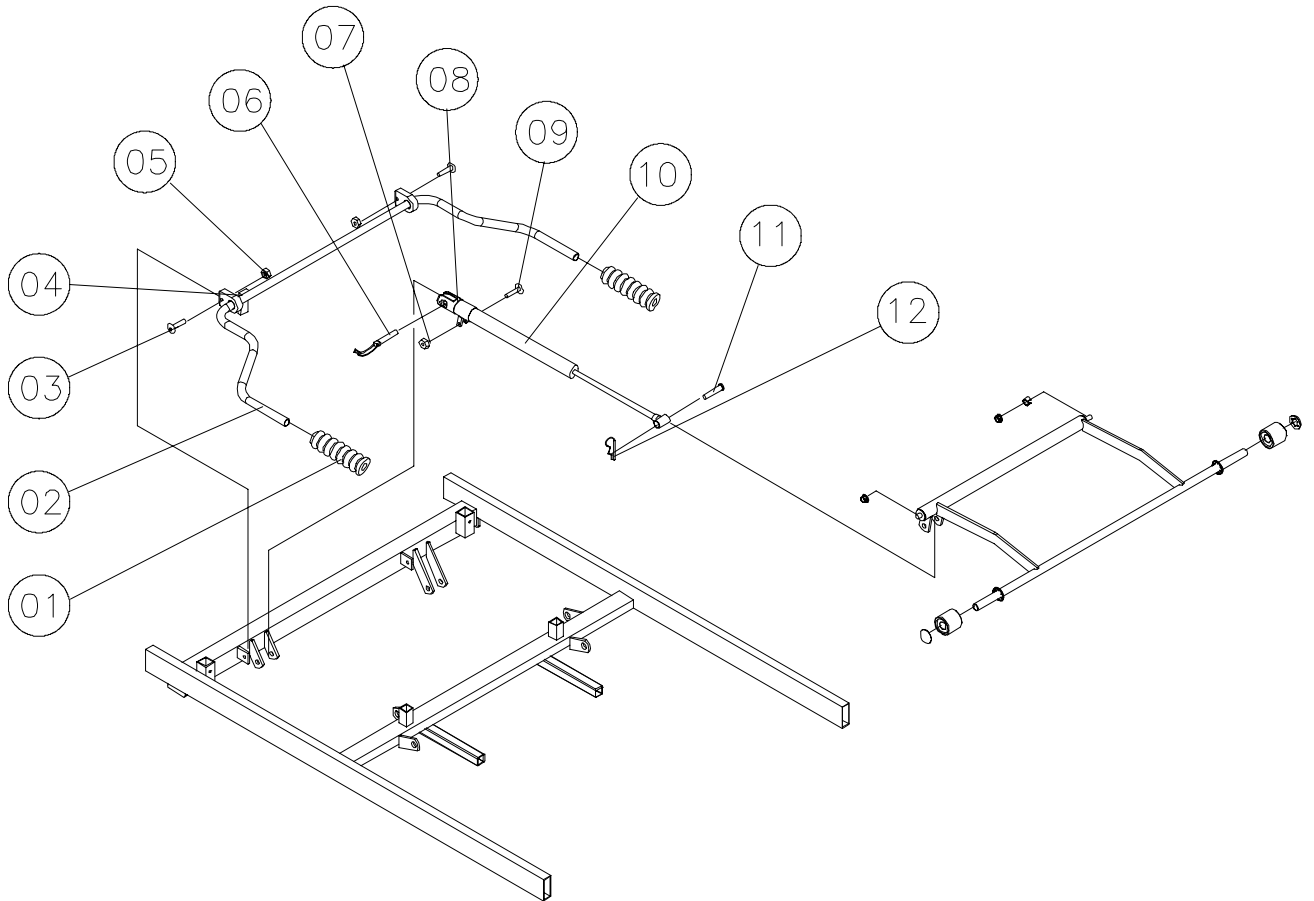
Gas spring - leg section

Ident. No.:

Gas spring - leg section - 85 cm: 021371.XX

Gas spring - leg section - 90 cm: 021372.XX

January 2006



Control unit CB 09 without accumulator back-up

Page 1 of 2

Ident. No.:

Control unit CB 09 without accumulator back-up – 3 pcs. of motors: 021357

Control unit CB 09 without accumulator back-up – 4 pcs. of motors: 021349

Control unit CB 09 without accumulator back-up – 4 pcs. of motors – for 120 cm mattress support: 021391

Control unit CB 09 without accumulator back-up – 4 pcs. of motors, V0 plastic: 1492482-XXXX

Control unit CB 09 without accumulator back-up – 4 pcs. of motors – for 120 cm mattress support V0 plastic: 1492507-XXXX

January 2006

Pos.	Spare parts 3 pcs. of motors	Spare parts 4 pcs. of motors	Spare parts 4 pcs. of motors 120cm	Pcs.	Description
01	320522.7035	320522.7035	320522.7035	1	Holder for control unit
02	819407	819407	819407	1	Screw self-boring 5.5x19
03	1423906	1423906	1423978	1	Control unit CB09
03		1492474-XXXX	1492478-XXXX		Control unit CB09, V0 plastic
04	819429.7035	--	--	1	Plug
05	1424000	1424000	1424000		Main cable 3,2m - EU
05	1423981	1423981	1423981		Main cable 3,2m - UK

Control unit CB 09 without accumulator back-up

Ident. No.:

Control unit CB 09 without accumulator back-up – 3 pcs. of motors: 021357

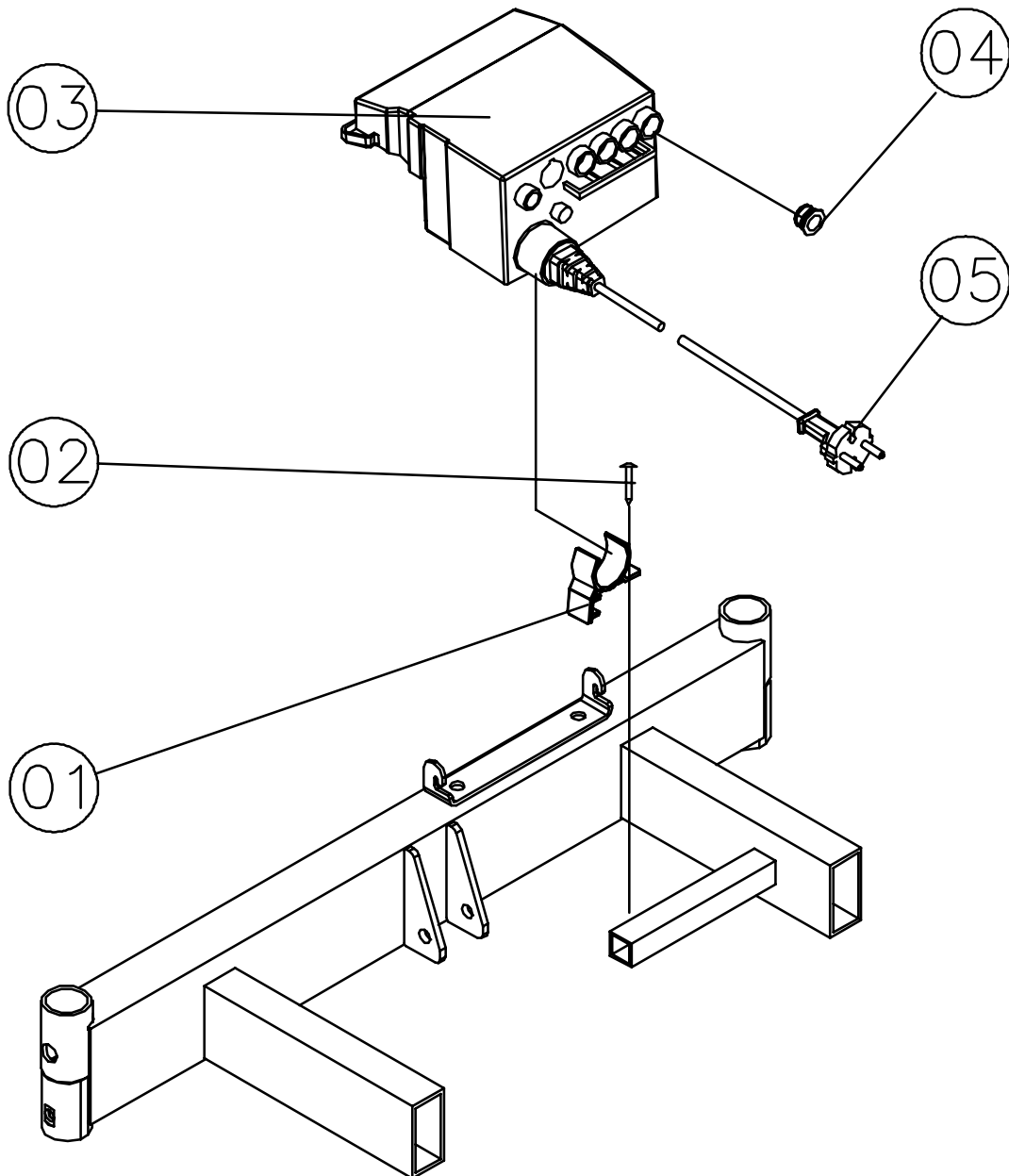
Control unit CB 09 without accumulator back-up – 4 pcs. of motors: 021349

Control unit CB 09 without accumulator back-up – 4 pcs. of motors – for 120 cm mattress support: 021391

Control unit CB 09 without accumulator back-up – 4 pcs. of motors, V0 plastic: 1492482-XXXX

Control unit CB 09 without accumulator back-up – 4 pcs. of motors – for 120 cm mattress support V0 plastic: 1492507-XXXX

January 2006



Control unit CB 09 with accumulator back-up

Page 1 of 2

Ident. No.:

Control unit CB 09 with accumulator back-up – 3 pcs. of motors: 021361

Control unit CB 09 with accumulator back-up – 4 pcs. of motors: 021360

January 2006

Pos.	Spare parts 3 pcs. of motors	Spare parts 4 pcs. of motors	Pcs.	Description
01	420700.50/L 420700.50/R	420700.50/L 420700.50/R	1 1	Suspension for accumulator box - left Suspension for accumulator box - right
02	1423905	1423905	1	Accumulator box BA 1802
03	816480	816480	1	Screw M5x16
04	803833	803833	2	Pop rivet
05	1423907	1423907	1	Control unit CB 09
06	819429.7035	--	1	Plug
07	819407	819407	4	Screw self-boring 5.5x19
08	320522.7035	320522.7035	1	Holder for control unit

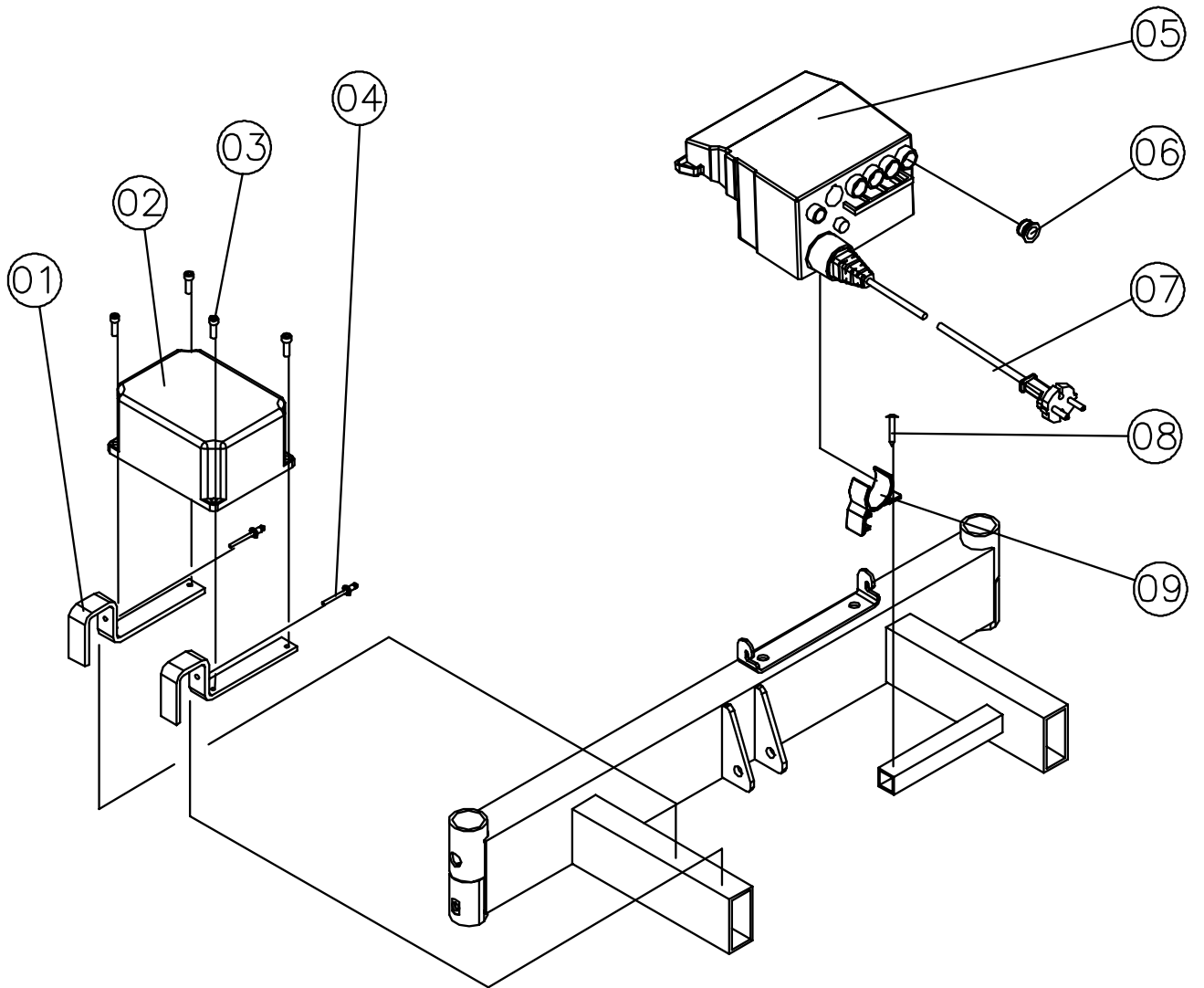
Control unit CB 09 with accumulator back-up

Ident. No.:

Control unit CB 09 with accumulator back-up – 3 pcs. of motors: 021361

Control unit CB 09 with accumulator back-up – 4 pcs. of motors: 021360

January 2006



Hand control box for control unit CB 09

Page 1 of

2

Ident. No.: Soft control – 3 x el: 1423986
Soft control – 4 x el: 1423983
Hand control box – 3 pcs. of motors: 1423904
Hand control box – 4 pcs. of motors: 1423902

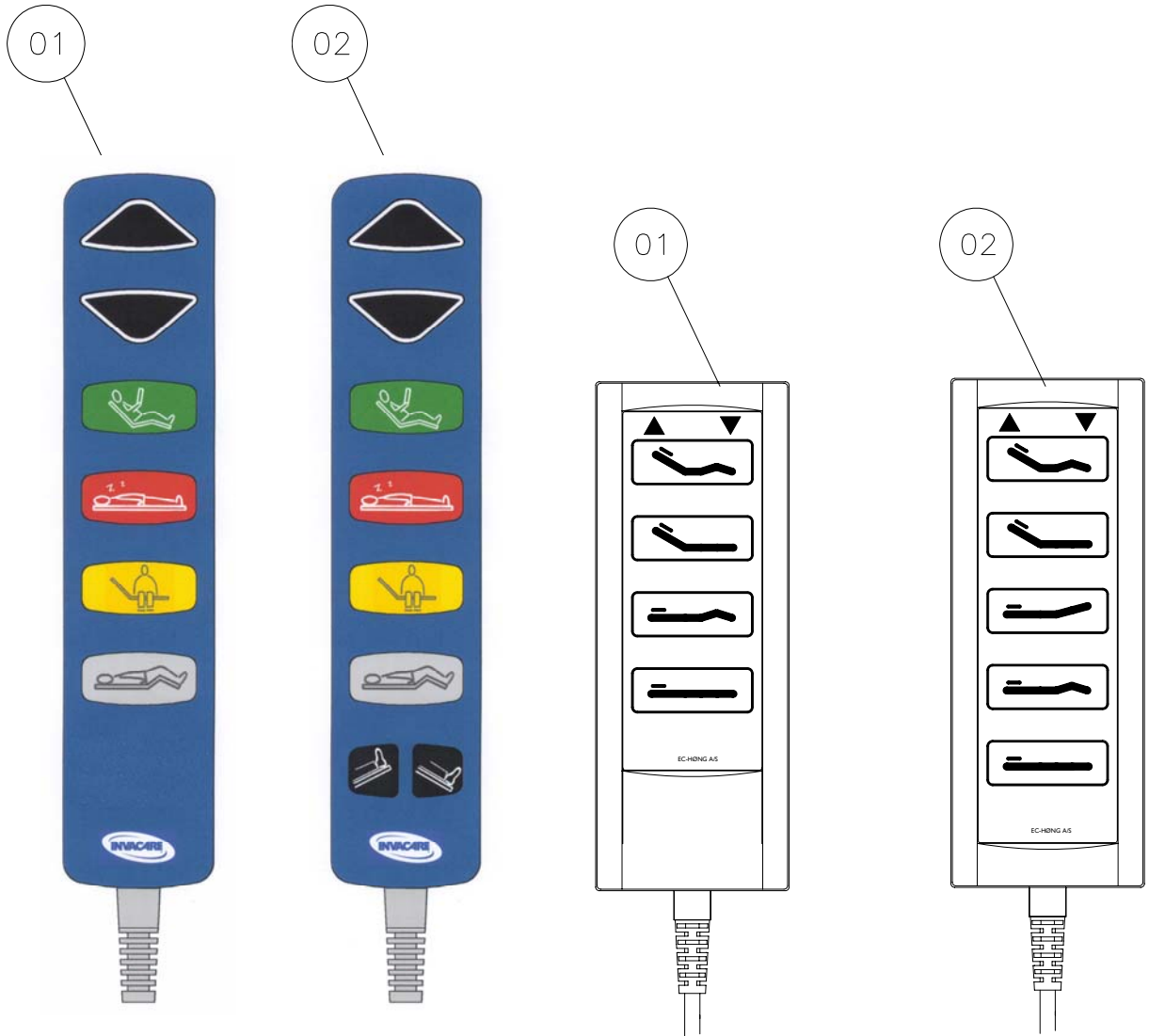
January 2006

Pos.	Spare parts Soft control 3 pcs. of motors	Spare parts Soft control 4 pcs. of motors	Spare parts 3 pcs. of motors	Spare parts 4 pcs. of motors	Pcs.	Description
01	1423986	--	1423904	--	1	Hand control box – 3 pcs. of motors
02	--	1423983	--	1423902	1	Hand control box – 4 pcs. of motors

Hand control box for control unit CB 09

Ident. No.: Soft control – 3 x el: 1423986
Soft control – 4 x el: 1423983
Hand control box – 3 pcs. of motors: 1423904
Hand control box – 4 pcs. of motors: 1423902

January 2006



Fittings for wooden bed ends FLEX III

Page 1 of 2

Ident. No.:

85 cm mattress support: 020411.XX

90 cm mattress support: 020741.XX

January 2006

Pos.	Pcs.	Description
01	1	Fitting – head – left
02	4	Screw M8x12
03	1	Fitting – head – right
04	1	Fitting - foot

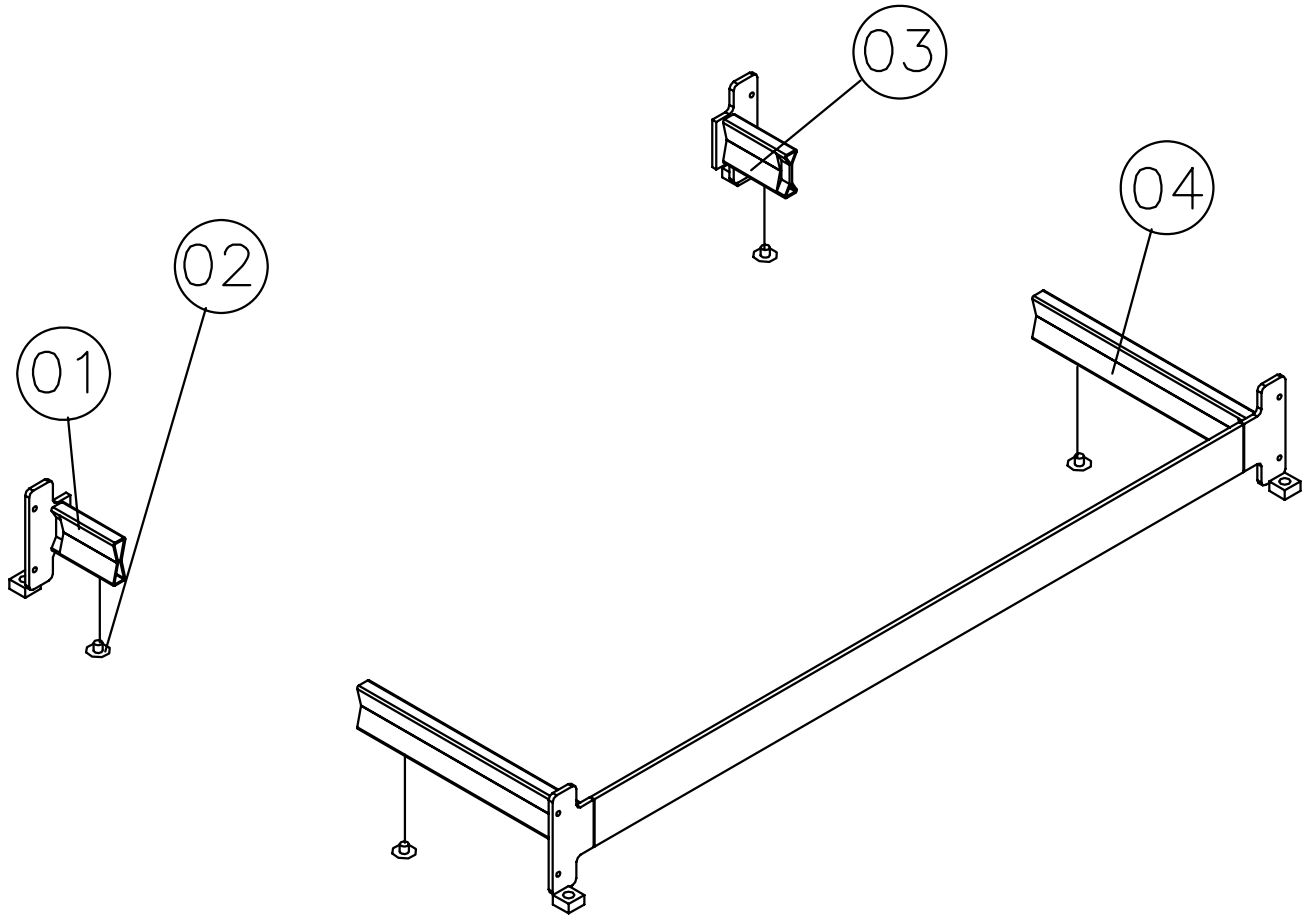
Fittings for wooden bed ends FLEX III

Ident. No.:

85 cm mattress support: 02041 I.XX

90 cm mattress support: 02074 I.XX

January 2006



FLEX III wooden bed ends

Page 1 of

2

Ident. No.:

85 cm mattress support: 020417.XX

90 cm mattress support: 020737.XX

January 2006

Pos.	Pcs.	Description
01	8	Furniture screw M6x40
02	2	Wooden bed end FLEX III

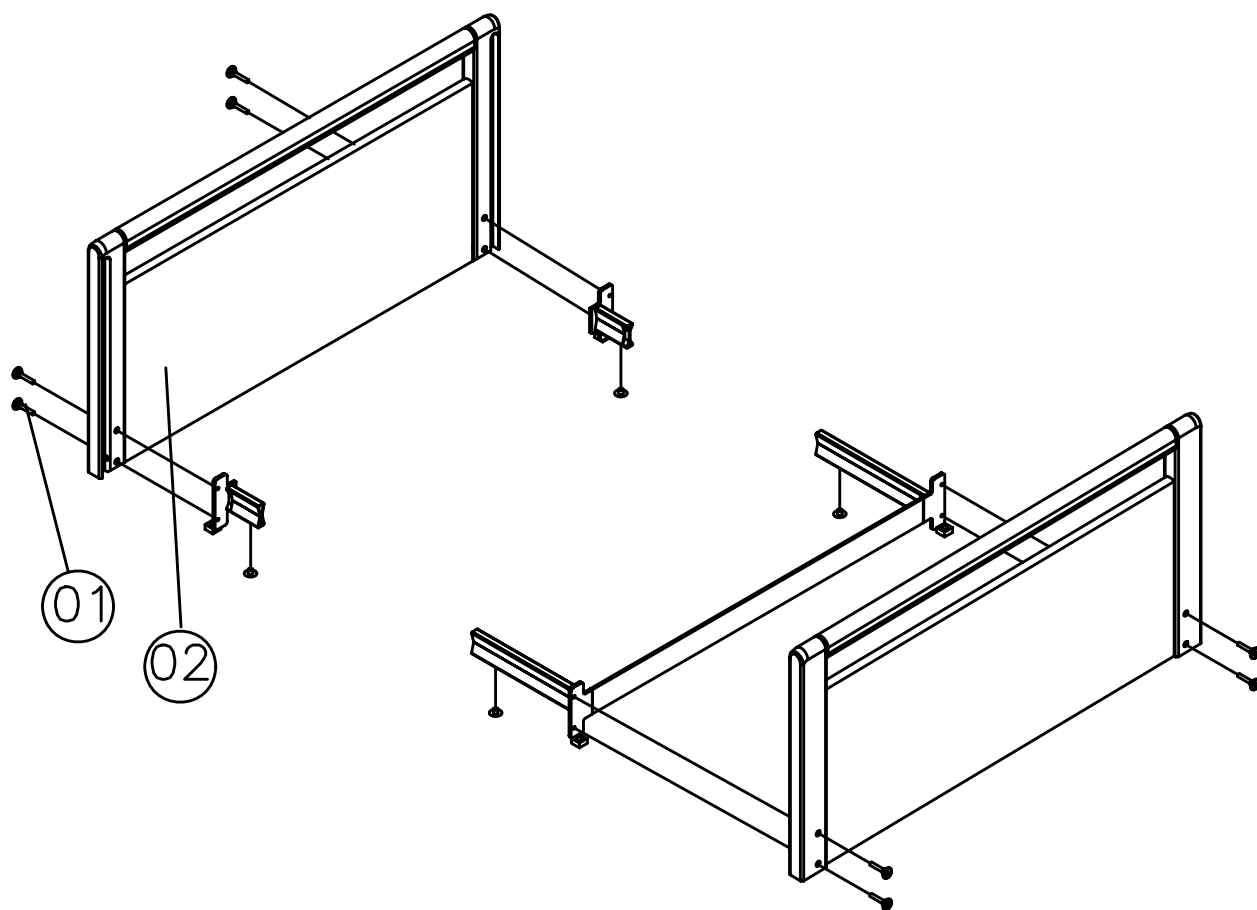
FLEX III wooden bed ends

Ident. No.:

85 cm mattress support: 020417.XX

90 cm mattress support: 020737.XX

January 2006



Fittings for wooden bed ends SANNE III

Page 1 of

2

Ident. No.:

Fittings for wooden bed ends SANNE III – 85, 90, 105 and 120 cm: 018742.XX

January 2006

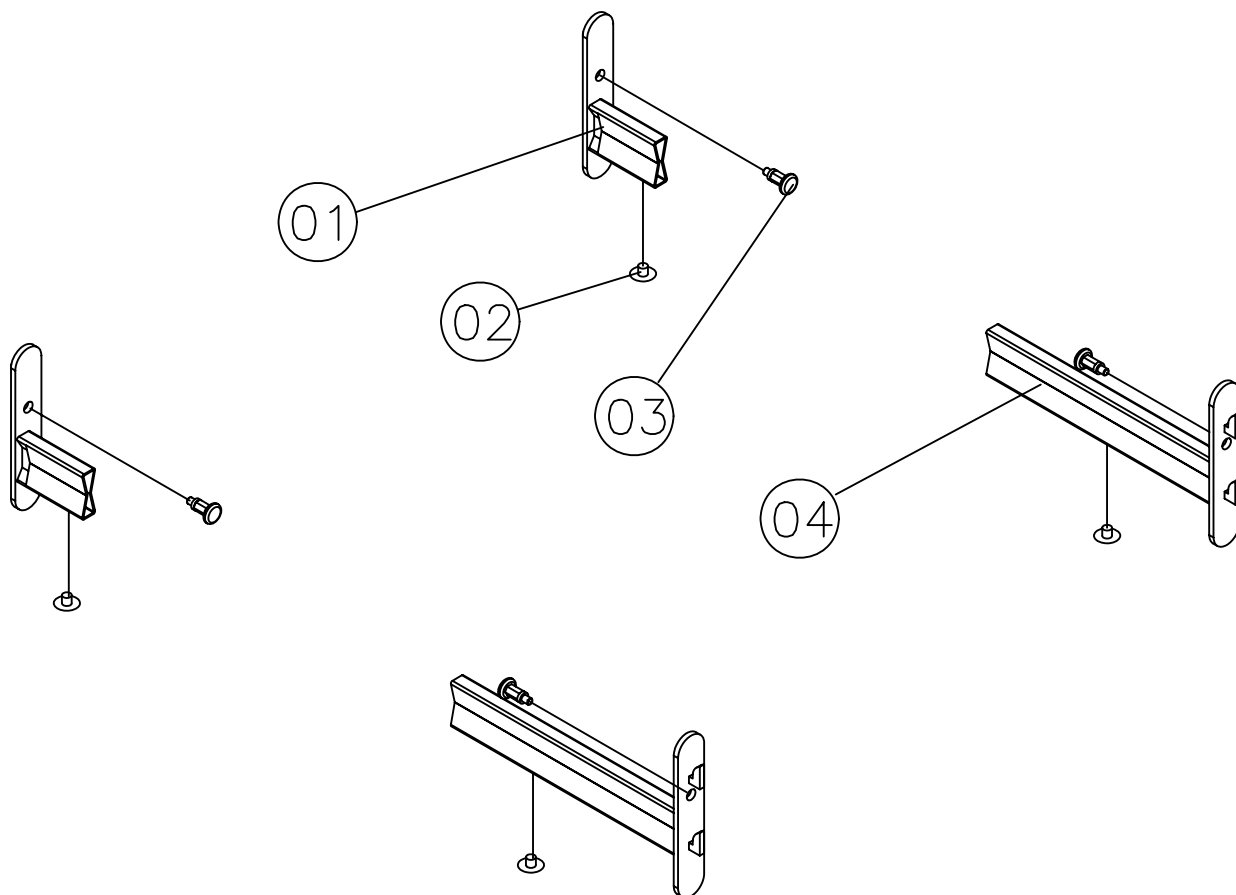
Pos.	Pcs.	Description
01	2	Fitting – head
02	4	Screw M8x12
03	4	Spring lock
04	2	Fitting – foot

2

Ident. No.:

Fittings for wooden bed ends SANNE III – 85, 90, 105 and 120 cm: 018742.XX

January 2006



SANNE III wooden bed ends

Page 1 of 2

Ident. No.:

SANNE III wooden bed ends – 85 cm: 020429.XX

SANNE III wooden bed ends – 90 cm: 020740.XX

SANNE III wooden bed ends – 105 cm: 021953.XX

SANNE III wooden bed ends – 120 cm: 021954.XX

January 2006

Pos.	Exchange kit Ident. No. 020031	Pcs.	Description
01		2	SANNE III wooden bed ends
02	X	4	Fitting
03	X	12	Maschine screw M8x20
04	X	12	Thread plug M8x24

SANNE III wooden bed ends

Ident. No.:

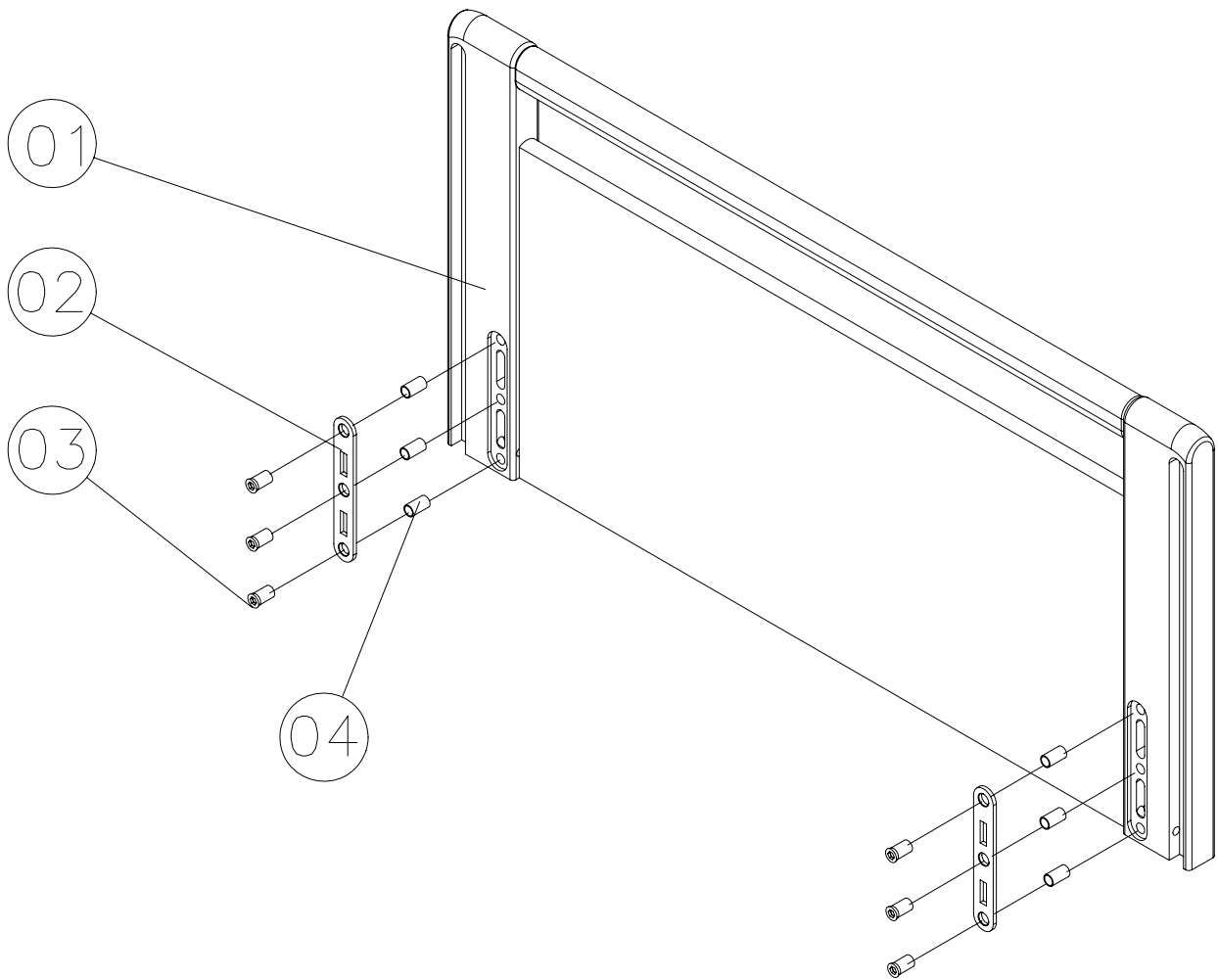
SANNE III wooden bed ends – 85 cm: 020429.XX

SANNE III wooden bed ends – 90 cm: 020740.XX

SANNE III wooden bed ends – 105 cm: 021953.XX

SANNE III wooden bed ends – 120 cm: 021954.XX

January 2006



Fittings with u-profiles for ODA - PIGGY and CLAUDINE bed ends

Page 1 of 2

Ident. No.:

Fittings with u-profiles – 85 cm: 020421.XX

Fittings with u-profiles – 90 cm: 016607.XX

January 2006

Pos.	Pcs.	Description
01	1	Fitting – head – right
02	1	Fitting – head – left
03	4	Screw M8x12
04	1	Fitting – foot
05	8	Membrane nipple

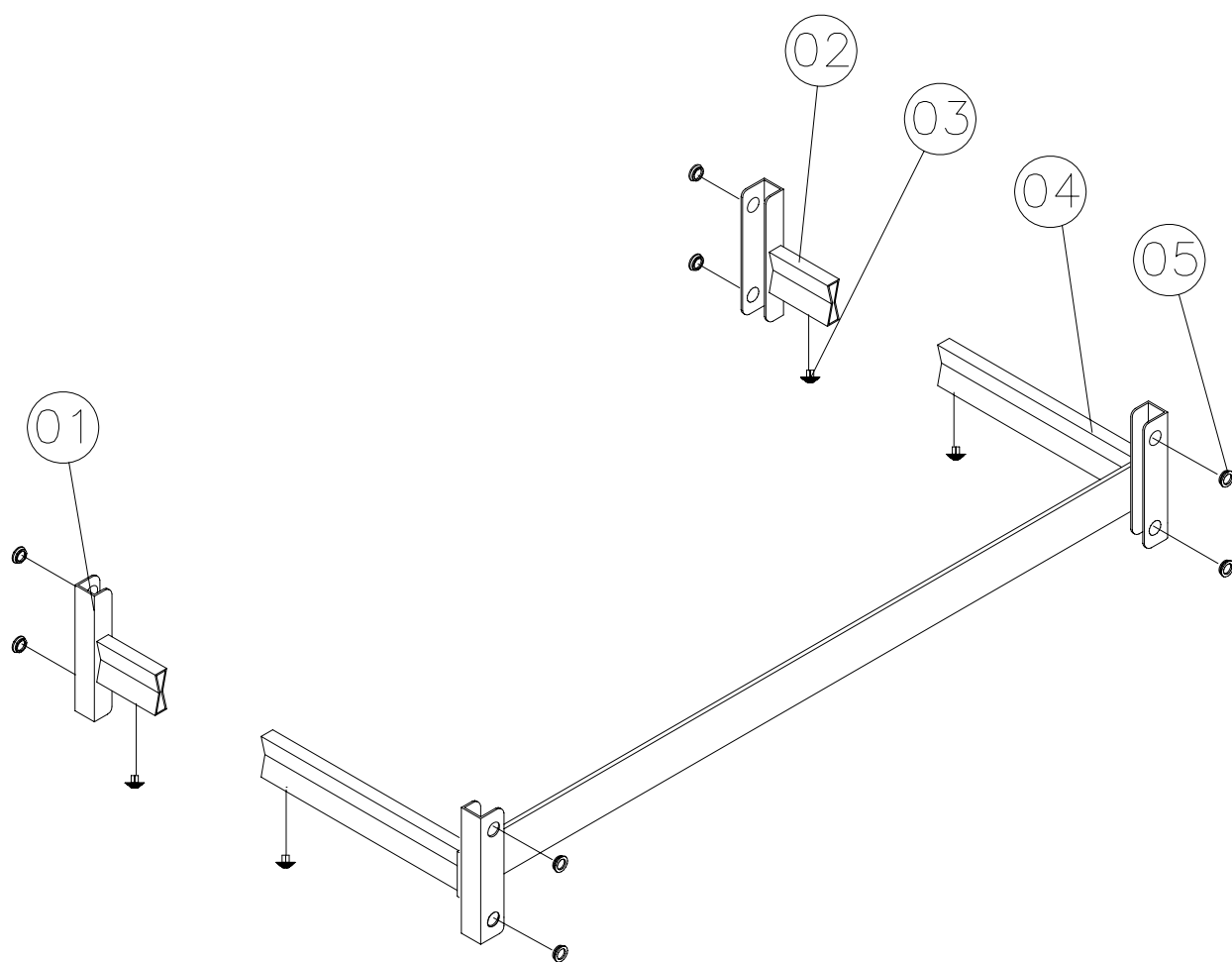
Fittings with u-profiles for ODA - PIGGY and CLAUDINE bed ends

Ident. No.:

Fittings with u-profiles – 85 cm: 020421.XX

Fittings with u-profiles – 90 cm: 016607.XX

January 2006



Bed ends ODA - PIGGY and CLAUDINE

Page 1 of

2

Ident. No.:

Bed ends – ODA – 85 cm: 020430.XX

Bed ends – PIGGY – 85 cm: 020431.XX

Bed ends – CLAUDINE – 85 cm: 020782.XX

Bed ends – ODA – 90 cm: 018940.XX

Bed ends – PIGGY – 90 cm: 016609.XX

Bed ends – CLAUDINE – 90 cm: 019360.XX

January 2006

Pos.	Pcs.	Description
01	2	Bed ends – ODA
02	2	Bed ends – PIGGY
03	2	Bed ends - CLAUDINE

Bed ends ODA - PIGGY and CLAUDINE

Ident. No.:

Bed ends – ODA – 85 cm: 020430.XX

Bed ends – PIGGY – 85 cm: 020431.XX

Bed ends – CLAUDINE – 85 cm: 020782.XX

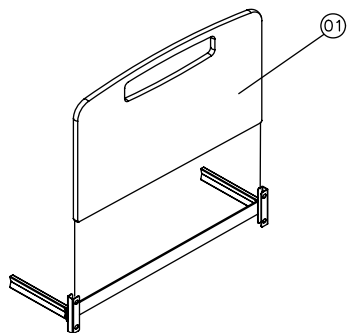
Bed ends – ODA – 90 cm: 018940.XX

Bed ends – PIGGY – 90 cm: 016609.XX

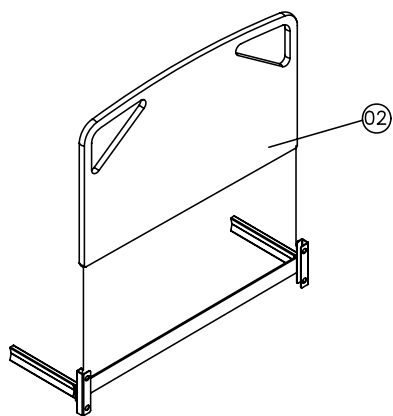
Bed ends – CLAUDINE – 90 cm: 019360.XX

January 2006

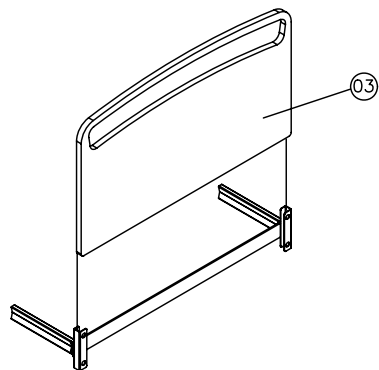
ODA



PIGGY



CLAUDINE



BRITT III – wooden side rail

Page 1 of 2

Ident. No.:

BRITT III – wooden side rail for 183 cm mattress support: 021342.XX

BRITT III – wooden side rail for 200 cm mattress support: 020434.XX

January 2006

Pos.	Complete	Exchange kit Ident. No. 020023	Exchange kit Ident. No. 020024	Ident. no. 200 cm 020434.XX	Ident. no. extended 019376.XX	Pcs.	Description
01	X	X		817265	817265	8	Book screw, female
02	X			120311.XX	118081.XX	2	Wooden side rail - upper
03	X	X	X			4	Chip board screw ø3x20
04	X		X	419263	419263	8	Rubber insertion for release lever
05	X		X	217991	217991	8	Release lever
06	X		X	1415789	1415789	4	Wire
07	X	X		319137	319137	4	Guide shoe, complete
08	X	X		413766	413766	4	Pin
09	X		X	317897	317897	4	Ratchet, right
10	X					4	Beech list
11	X			217990.XX	219515.XX	1	Wooden side rail - lower
12	X			413760	413760	4	Spring
13	X		X	317896	317896	4	Ratchet, left
14	X	X		812367	812367	8	Book screw, male

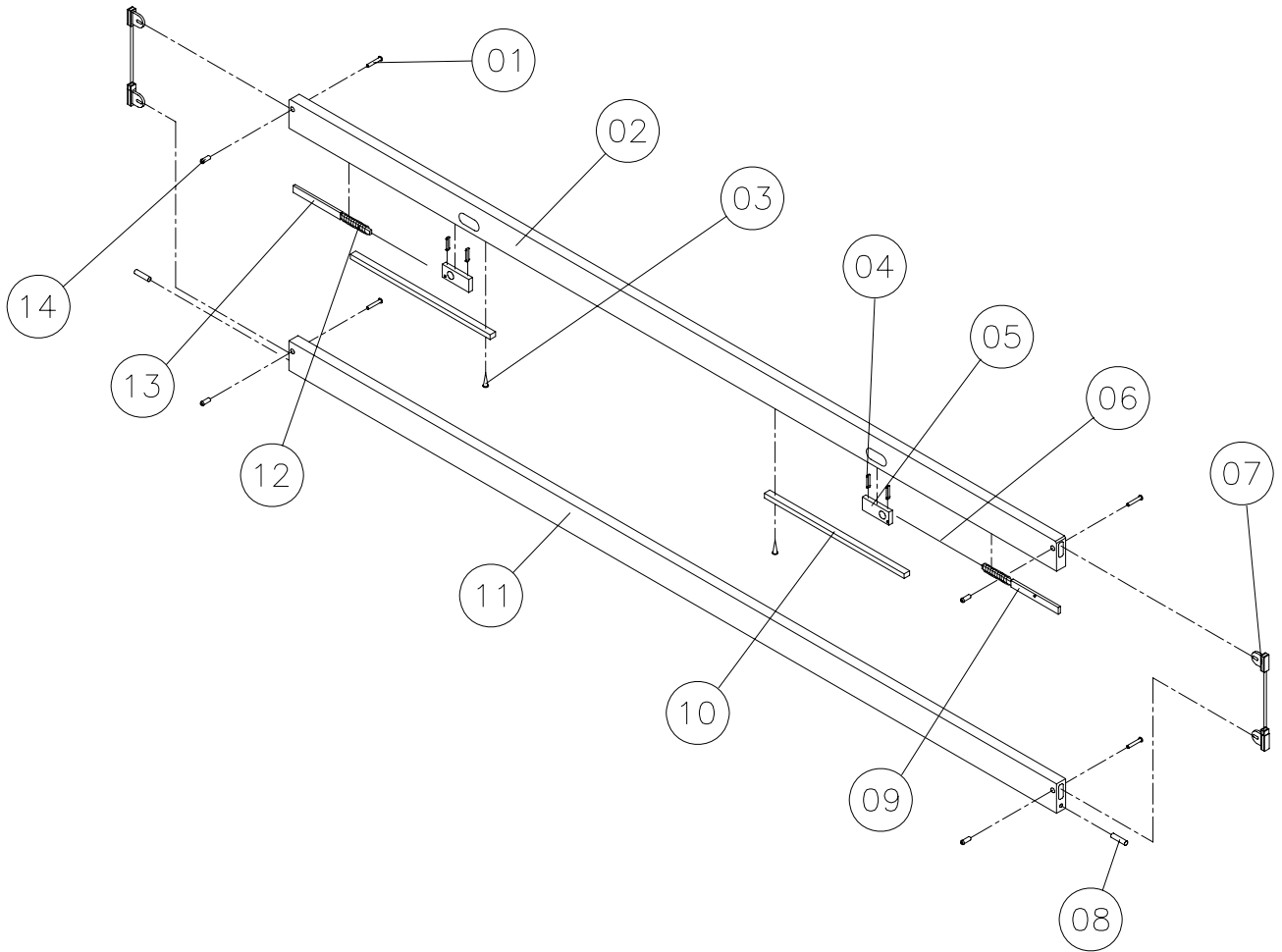
BRITT III - wooden side rail

Ident. No.:

BRITT III - wooden side rail for 183 cm mattress support: 021342.XX

BRITT III - wooden side rail for 200 cm mattress support: 020434.XX

January 2006



Metal side rail – Model 5519 – 5538 – 5539

Page 1 of 2

Ident. No.:

Metal side rail – Model 5519 – for 200 cm mattress support: 50.55190.XX/L+R

Metal side rail – Model 5538 – for 183 cm mattress support: 50.55380.XX/L+R

Metal side rail – Model 5539 – for (extended) 216 cm mattress support: 50.55390.XX/L+R

January 2006

Pos.	Complete	Exchange kit Ident. No. 020025.XX	Exchange kit Ident. No. 020026	Pcs.	Description
01	X	X		6	Ferrule
02	X		X	2	Release button
03	X		X	2	Lock pin
04	X		X	2	Spring
05	X X			1 1	Metal side rail – left Metal side rail – right
06	X			6	Ferrule
07	X			4	Thumb screw
08	X	X		2	Extension tube
09	X	X		4	Screw M8x12

Metal side rail – Model 5519 – 5538 – 5539

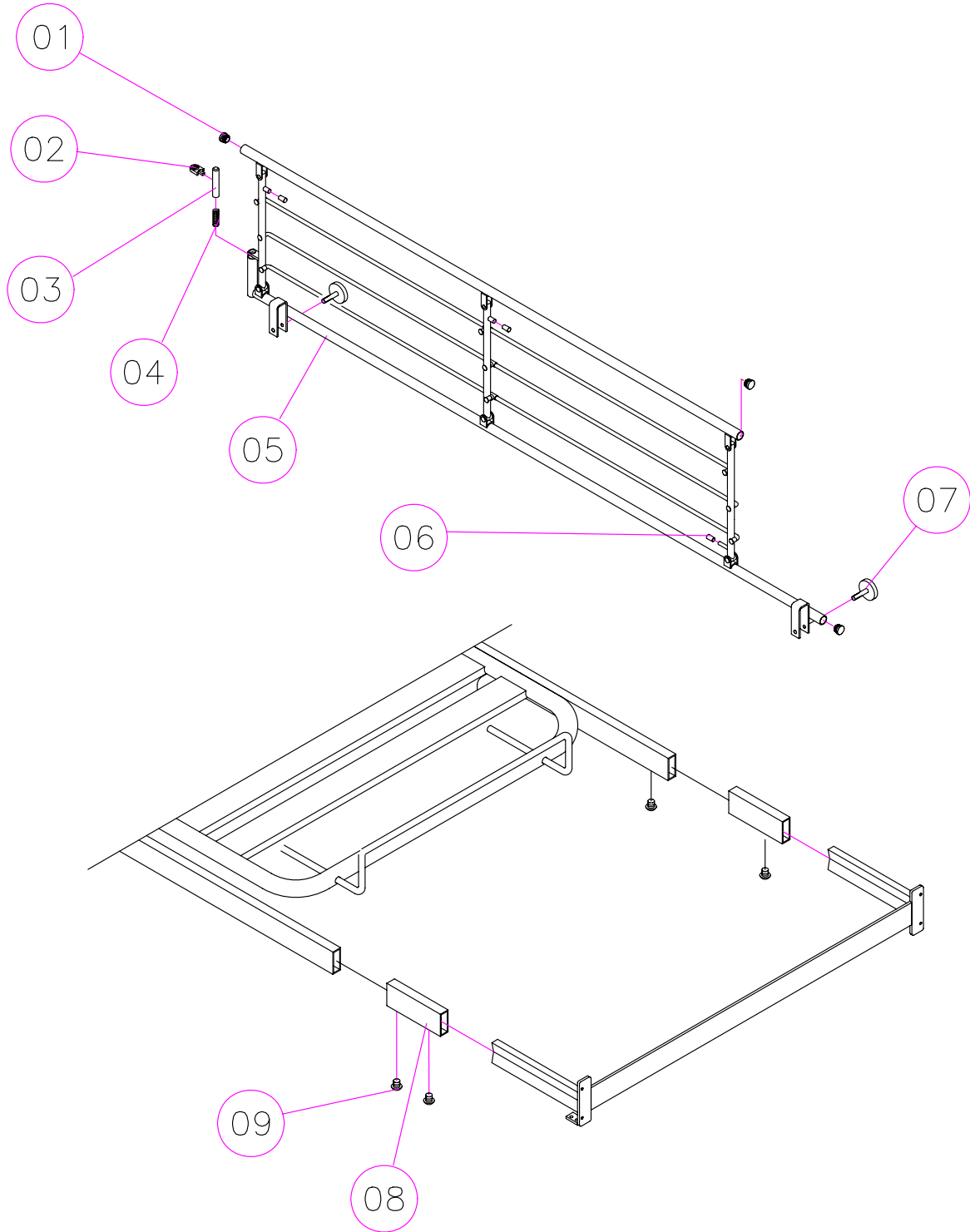
Ident. No.:

Metal side rail – Model 5519 – for 200 cm mattress support: 50.55190.XX/L+R

Metal side rail – Model 5538 – for 183 cm mattress support: 50.55380.XX/L+R

Metal side rail – Model 5539 – for (extended) 216 cm mattress support: 50.55390.XX/L+R

January 2006



Metal side rail with plastic insert – Model 5526 – 5527 – 5528

Page 1 of 2

Ident. No.:

Metal side rail – Model 5526 – for 200 cm mattress support: 50.55260.XX/L+R

Metal side rail – Model 5527 – for 183 cm mattress support: 50.55270.XX/L+R

Metal side rail – Model 5528 – for (extended) 216 cm mattress support: 50.55280.XX/L+R

January 2006

Pos.	Complete	Spare parts	Exchange kit Ident. No. 020025	Exchange kit Ident. No. 020026	Pcs.	Description
01	X		X		6	Ferrule
02	X			X	2	Release button
03	X			X	2	Lock pin
04	X			X	2	Spring
05	X				1 1	Metal side rail – left Metal side rail – right
06	X				6	Ferrule
07	X				4	Thumb screw
08	X	421843			4	Plastic insert
09	X	421468			4	Cylinder nut
10	X		X		2	Extension tube
11	X		X		4	Screw M8x12

Metal side rail with plastic insert - Model 5526 - 5527 - 5528

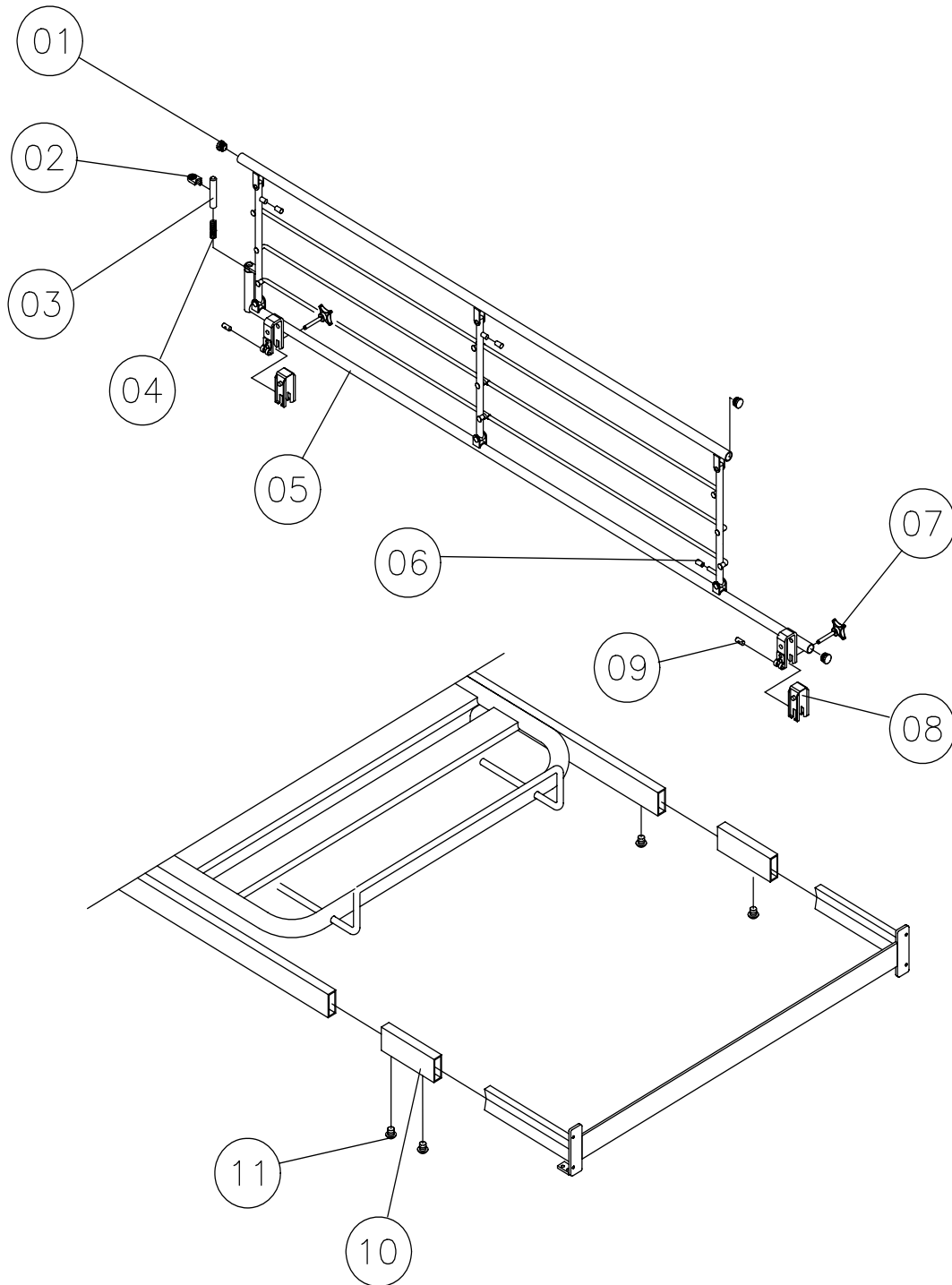
Ident. No.:

Metal side rail - Model 5526 - for 200 cm mattress support: 50.55260.XX/L+R

Metal side rail - Model 5527 - for 183 cm mattress support: 50.55270.XX/L+R

Metal side rail - Model 5528 - for (extended) 216 cm mattress support: 50.55280.XX/L+R

January 2006



Bumper wheel ø75 / ø100 / ø150 mm

Page 1 of 2

Ident. No.:

Bumper wheel ø75 mm: 50.59600.00

Bumper wheel ø100 mm: 50.59610.00

Bumper wheel ø150 mm: 50.59640.00

January 2006

Pos.	Pcs.	Description
01	4	Bush
02	4	Bumper wheel
03	4	Screw

Bumper wheel $\varnothing 75$ / $\varnothing 100$ / $\varnothing 150$ mm

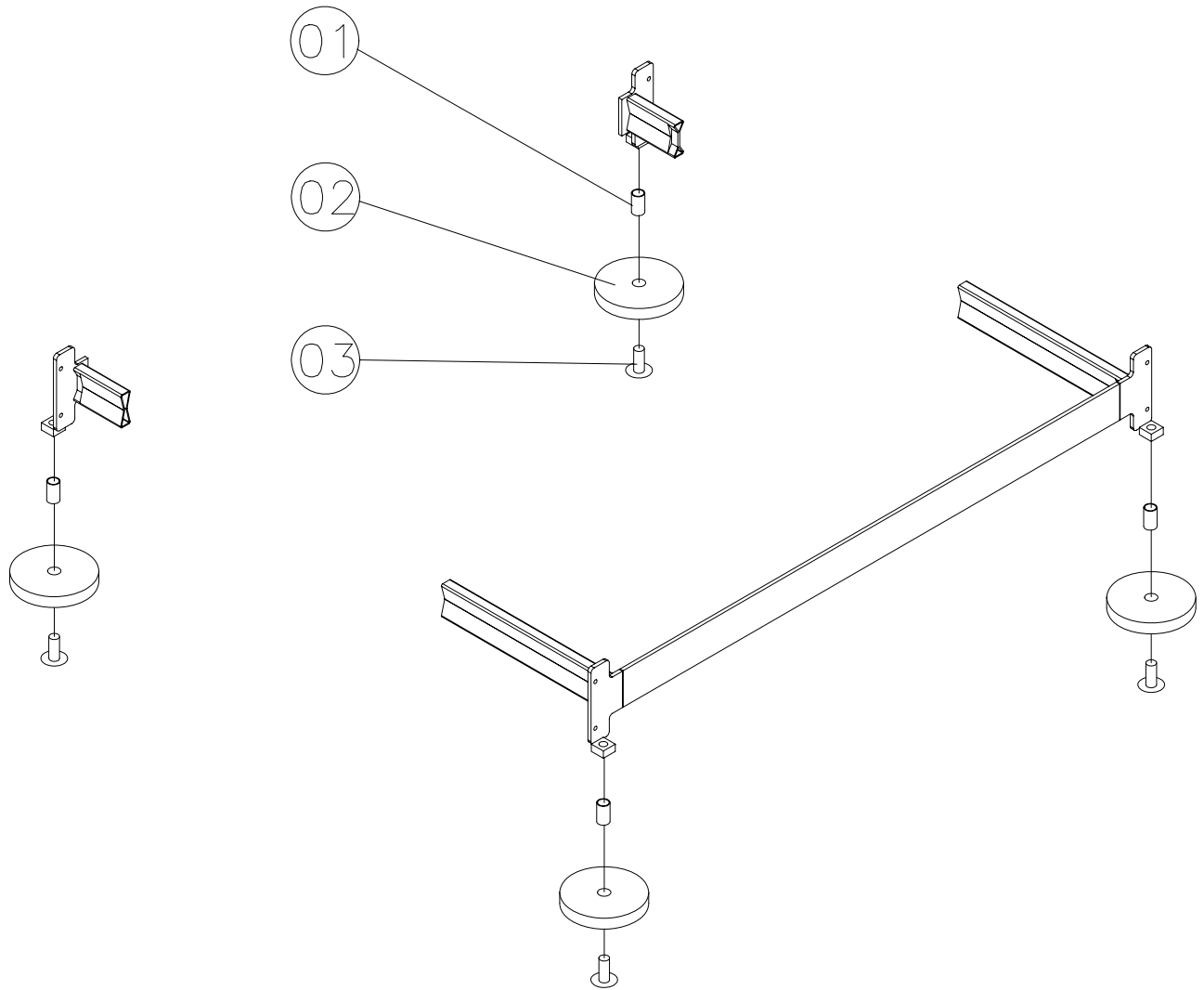
Ident. No.:

Bumper wheel $\varnothing 75$ mm: 50.59600.00

Bumper wheel $\varnothing 100$ mm: 50.59610.00

Bumper wheel $\varnothing 150$ mm: 50.59640.00

January 2006



Lifting pole – Model 5760

Ident. No.:

Lifting pole – Model 5760: 50.57600.XX

January 2006

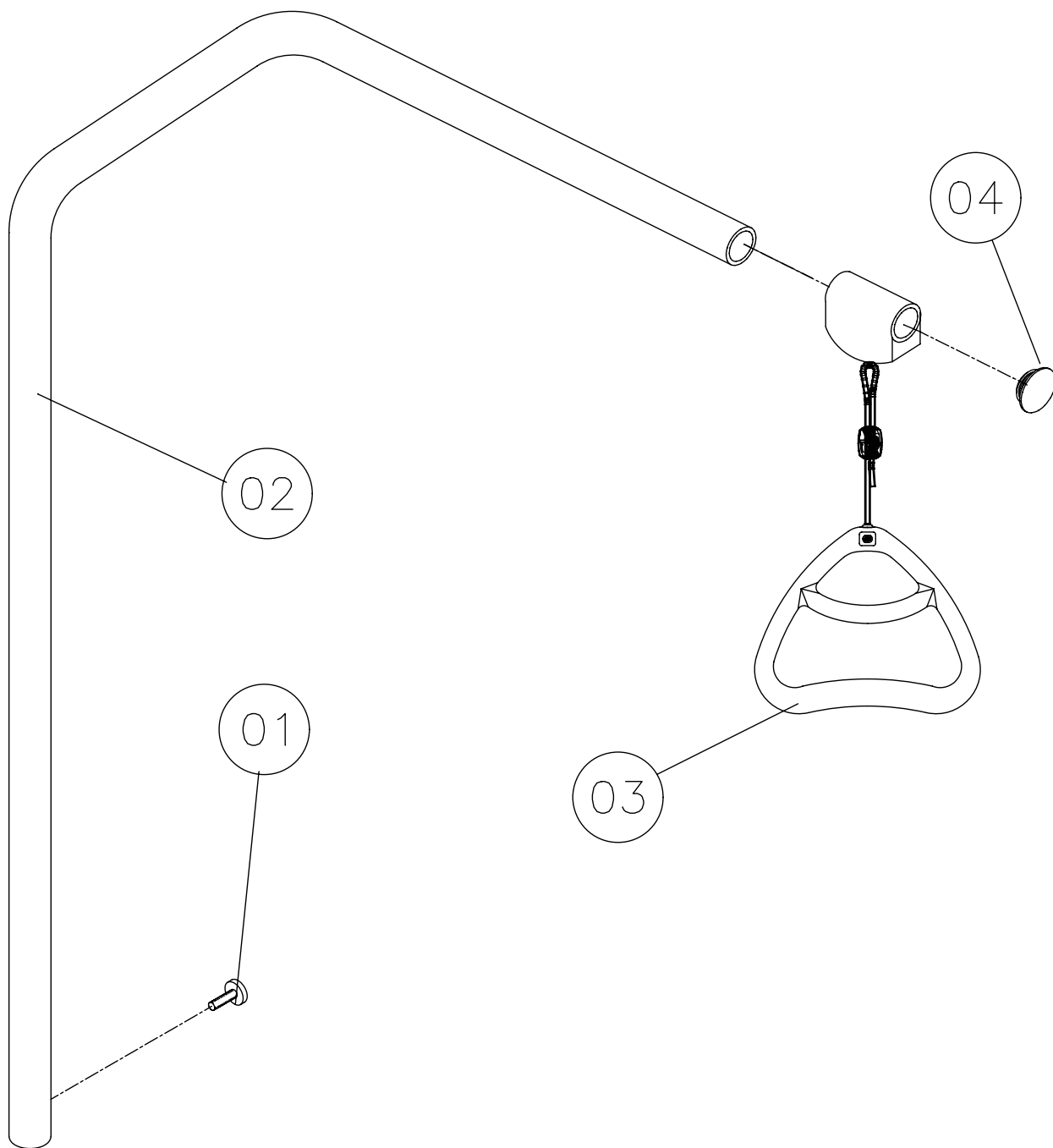
Pos.	Complete	Exchange kit Ident. No. 020028	Pcs.	Description
01	X	X	1	Thumb screw M6x16
02	X		1	Lifting pole
03	X	X	1	Handle for lifting pole, incl suspension and lock
04	X	X	1	Ferrule for lifting pole

Lifting pole - Model 5760

Ident. No.:

Lifting pole - Model 5760: 50.57600.XX

January 2006





Customer Sales and Service

Denmark

INVACARE A/S
Sdr. Ringvej 39
DK-2605 Brøndby
Phone: +45 36 90 00 00
Fax: +45 36 90 00 01
www.invacare.dk
denmark@invacare.com

Sweden & Finland

INVACARE AB
Fagerstagatan 9 / Box 66
S-163 91 Spånga
Phone: +46 8 761 70 90
Fax: +46 8 761 81 08
www.invacare.se
sweden@invacare.com

Norway & Iceland

INVACARE AS
Grensesvingen 9
Postbox 6230 Etterstad
N-0603 Oslo
Phone: +47 22 57 95 00
Fax: +47 22 57 95 01
www.invacare.no
norway@invacare.com

Spain

INVACARE S.A.
C/Areny s/n
Poligon Industrial de Celrà
E-17460 Celrà (Girona)
Phone: +34 972 49 32 00
Fax: +34 972 49 32 20
www.invacare.es
contactsp@invacare.com

Invacare® EC-Høng A/S
Ident. no.: 1424021
Version 04 01.2006

Belgium & Luxemburg

INVACARE N.V.
Autobaan 14
B-8210 Loppem, Brügge
Phone: +32 50 83 10 10
Fax: +32 50 83 10 11
www.invacare.be
belgium@invacare.com

Nederland

INVACARE B.V.
Celsiusstraat 46
NL-6716 BZ Ede
Phone: +31 318 695 757
Fax: +31 318 695 758
www.invacare.nl
care@invacare.com

Germany

Aquatec GmbH
Alemannenstrasse 10
88316 Isny
Phone: +49 (0) 75 62 700 0
Fax: +49 (0) 75 62 700 66
www.aquatec.de
info@aquatec.de

Portugal

INVACARE Lda
Rua Senhora de Campanhã 105
4369-001 Porto
Phone: +351 225 1059 46/47
Fax: +351 225 1057 39
portugal@invacare.com

Australia

INVACARE Australia Pty Ltd
1 Lenton Place
North Rocks
NSW 2151
Phone: +61 2 8839 5333
Fax: +61 2 8839 5353
www.invacare.com.au
sales@invacare.com.au

France

INVACARE Poirier S.A.S
Route de St Roch
F-37230 Fondettes
Phone: +33 2 47 62 64 66
Fax: +33 2 47 42 12 24
www.invacare.fr
contactfr@invacare.com

Italy

INVACARE MECC SAN S.R.L.
Via dei Pini 62
I-36016 Thiene (VI)
Phone: +39 0445 38 00 59
Fax: +39 0445 38 00 34
www.invacare.it
italia@invacare.com

United Kingdom & Ireland

INVACARE LTD
South Road
Bridgend Industrial Estate
UK-Bridgend, CF31 3PY
Phone: +44 1 656 664 321
Fax: +44 1 656 667 532
www.invacare.co.uk
uk@invacare.com

New Zealand

INVACARE NZ
4 Westfield Place,
Mt. Wellington
Auckland
Phone: +64 9 917 3939
Fax: +64 9 917 3957
www.invacare.co.nz
sales@invacare.co.nz

Hatfield
2/122 Taradale Road
Napier
Phone: +64 6 843 3119
Fax: +64 6 843 3445
sales@hatfield.co.nz

Manufacturer:



QUALITY SYSTEM
DS/EN ISO 9001
DS/EN ISO 13485

INVACARE EC-Høng A/S
Østergade 3
DK-4270 Høng
www.invacarebeds.dk