

Spare Parts Catalogue

04-2013



Invacare® ScanBed 910™



Yes, you can.

TABLE OF CONTENTS

Top frame and mattress support

Top frame 80 x 200 cm

Base frame

Base frame

Castors and brake systems

Central brake system

Bed ends and -plates

Bed ends

Electrical parts

Motors

Control- and ACU box, hand control

Side rails

Side rail

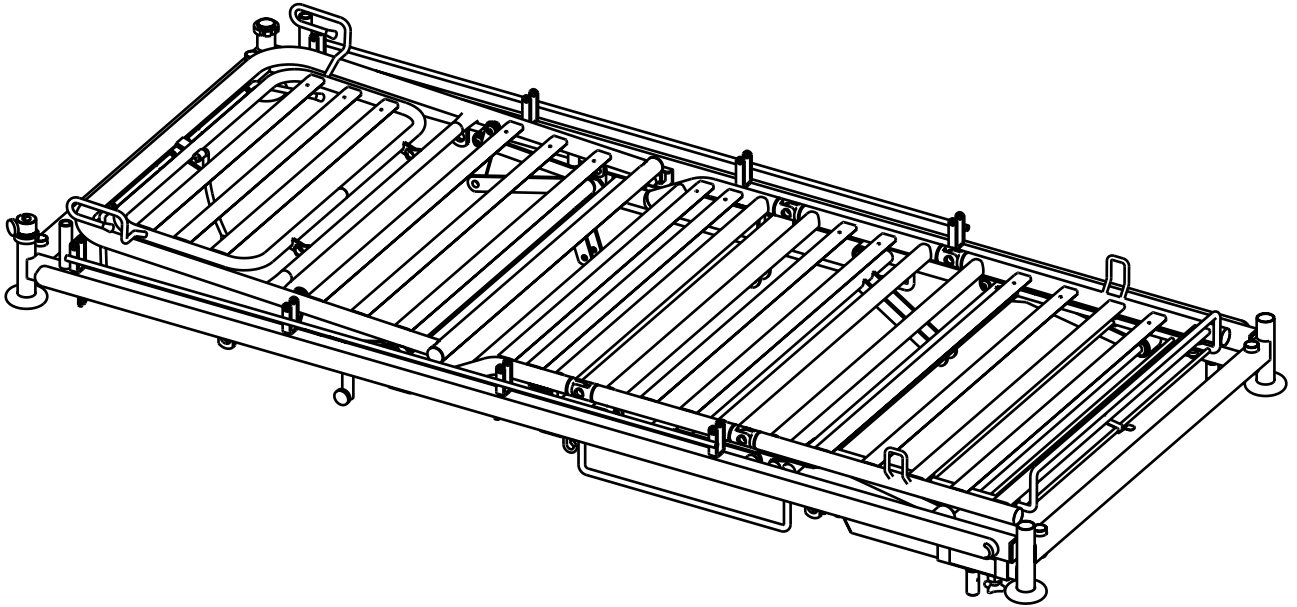
Side rail extension

Lifting pole

Lifting pole

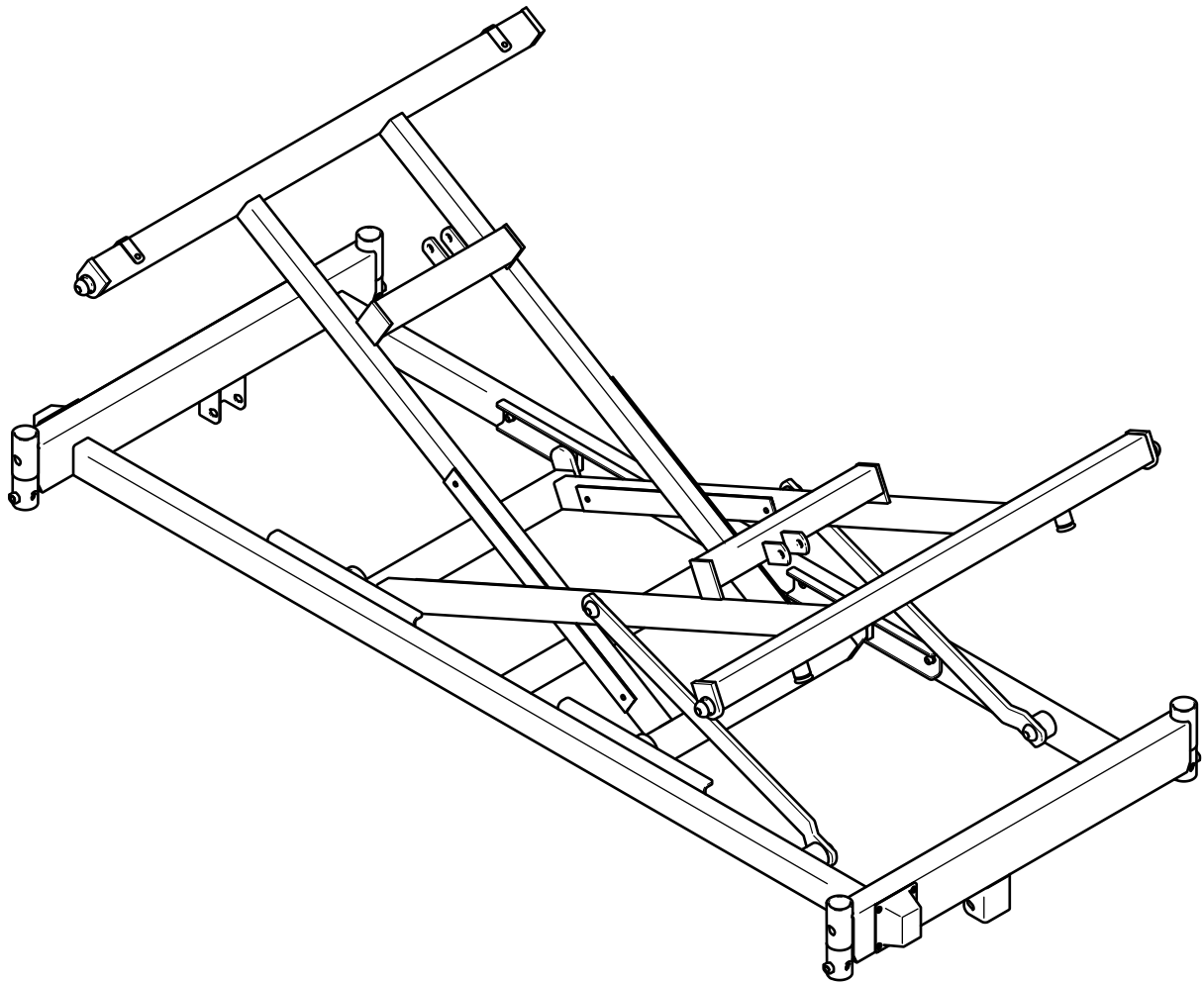
Accessories

Top frame 80 x 200 cm



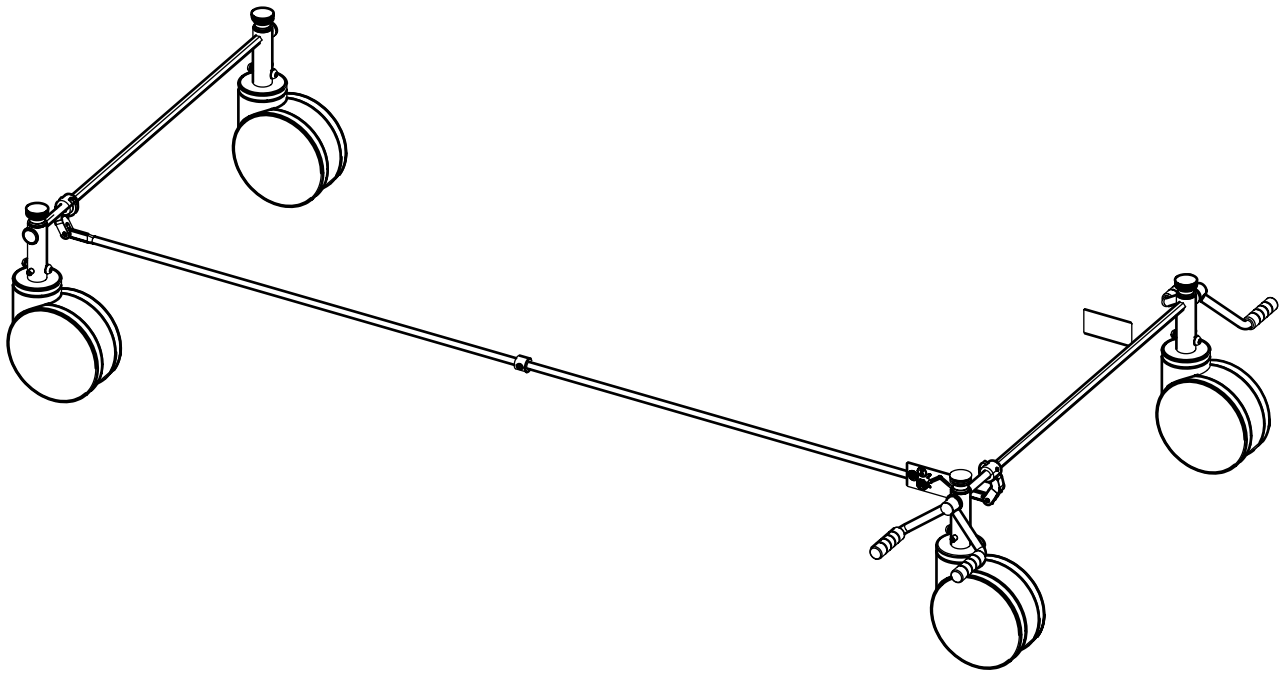
Pos.	Part number	Description
1	SP1568910	Top frame and mattress support 80x200cm

Base frame



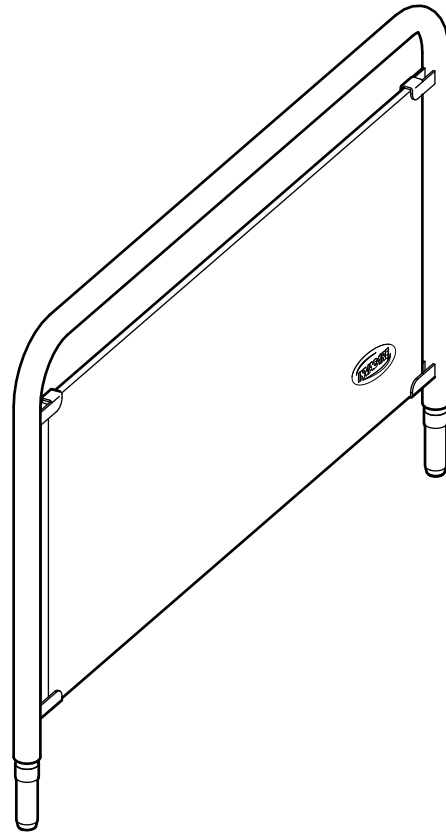
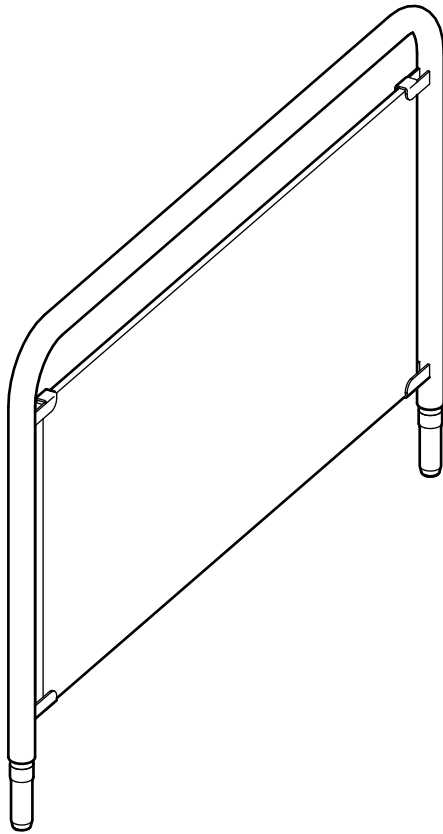
Pos.	Part number	Description
1	SP1451500	Base frame, SB910

Central brake system



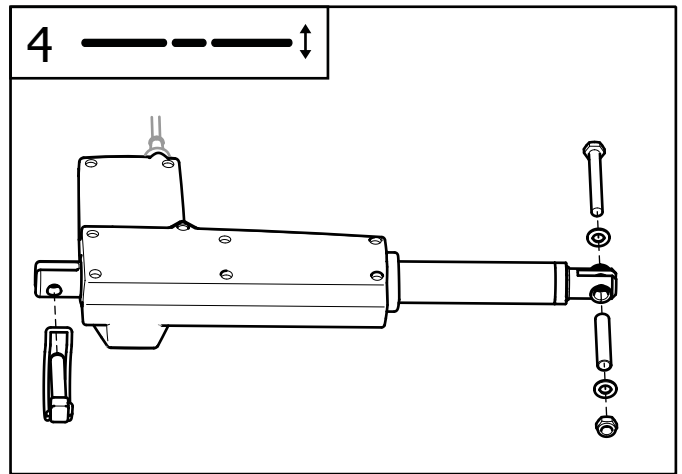
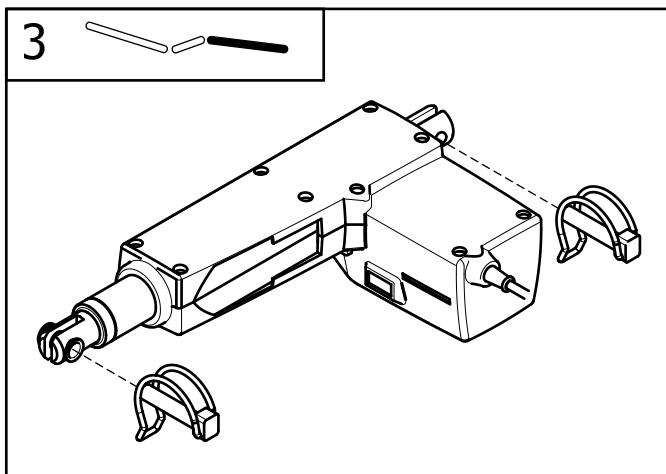
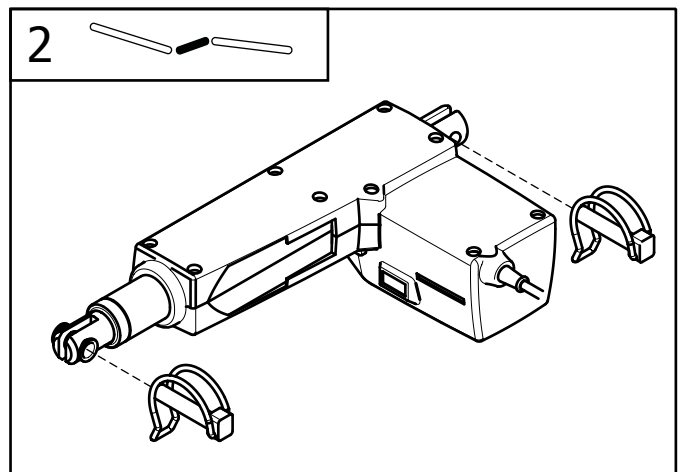
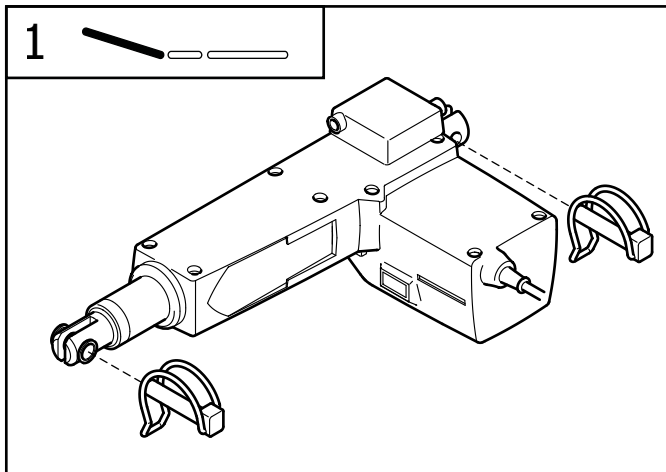
Pos.	Part number	Description
1	1493486	Central brake system

Bed ends



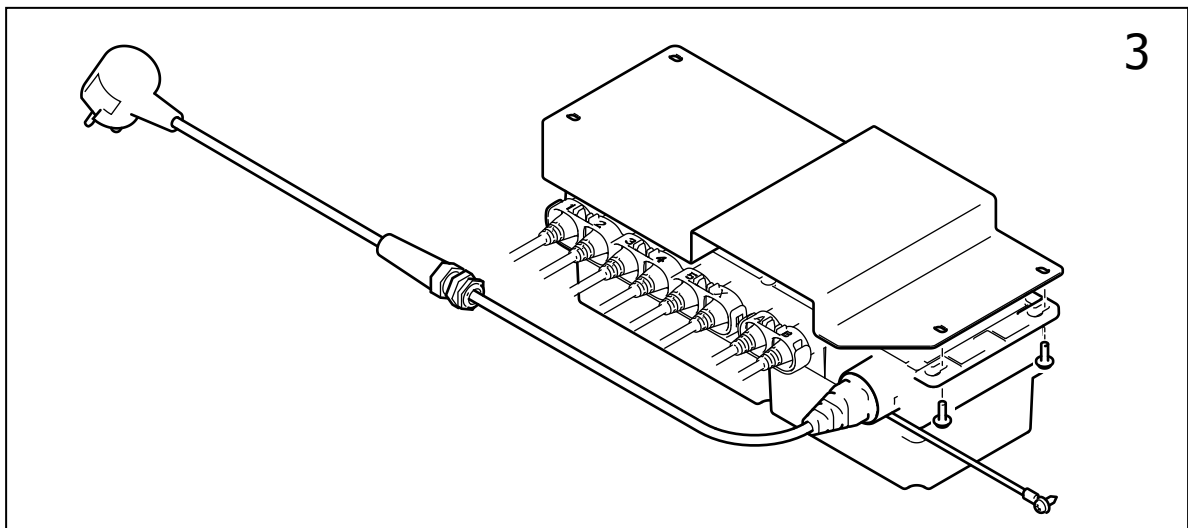
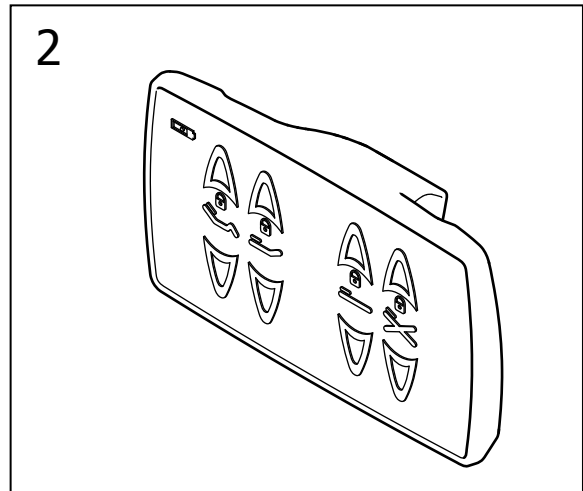
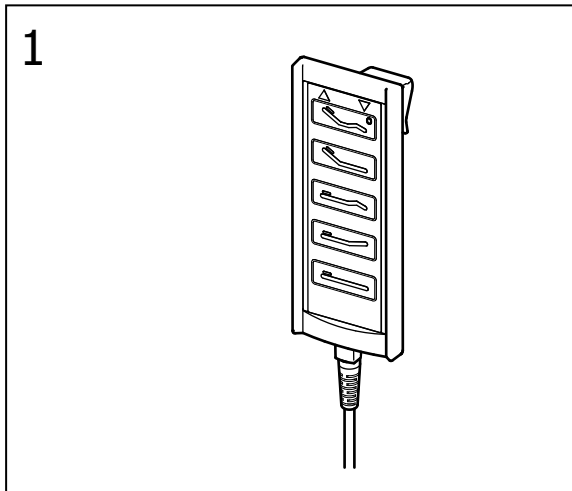
Pos.	Part number	Description
1	016040-0112	Bed ends, pair

Motors



Pos.	Part number	Description
1	SP1568184	Motor cpl, Backrest
2	SP1568185	Motor cpl, Thigh
3	SP1568187	Motor cpl, Legs
4	SP1568186	Motor cpl, Height

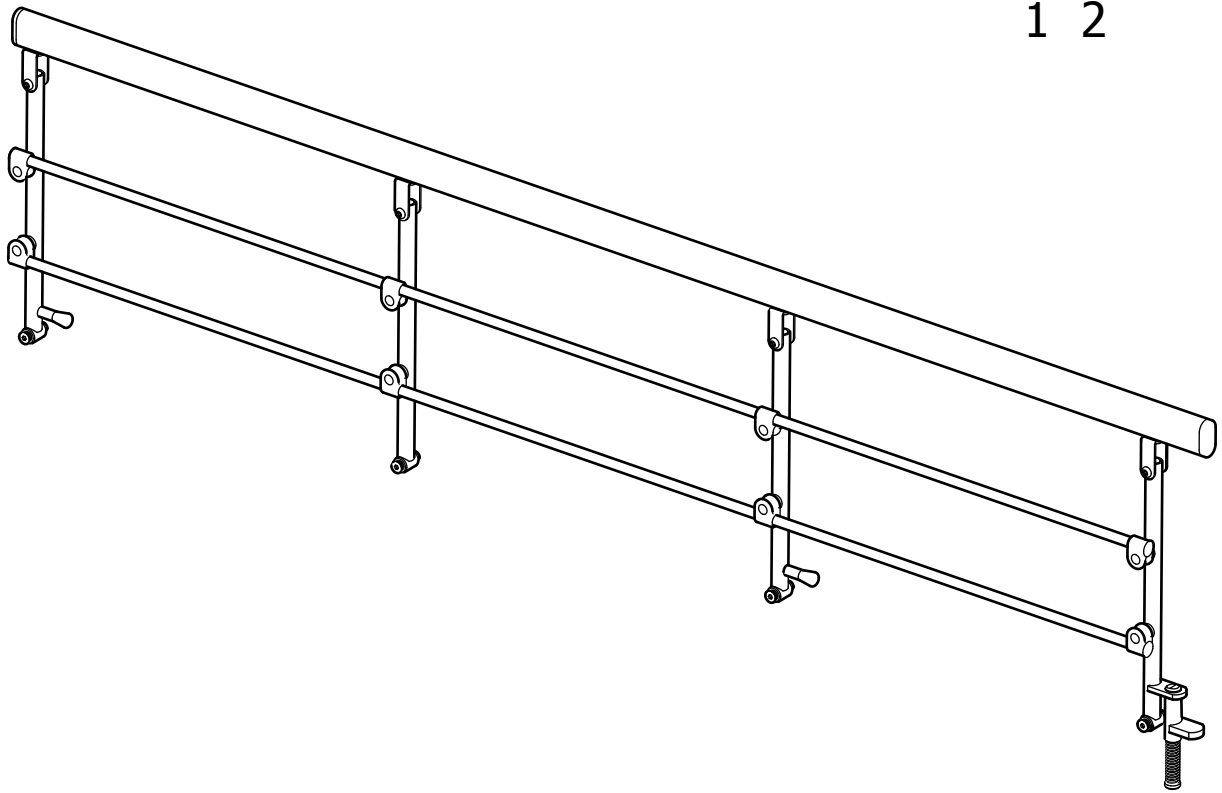
Control- and ACU box, hand control



Pos.	Part number	Description
1	SP1567509	Handcontrol
2	SP1567511	ACU
3	SP1567510	Control box

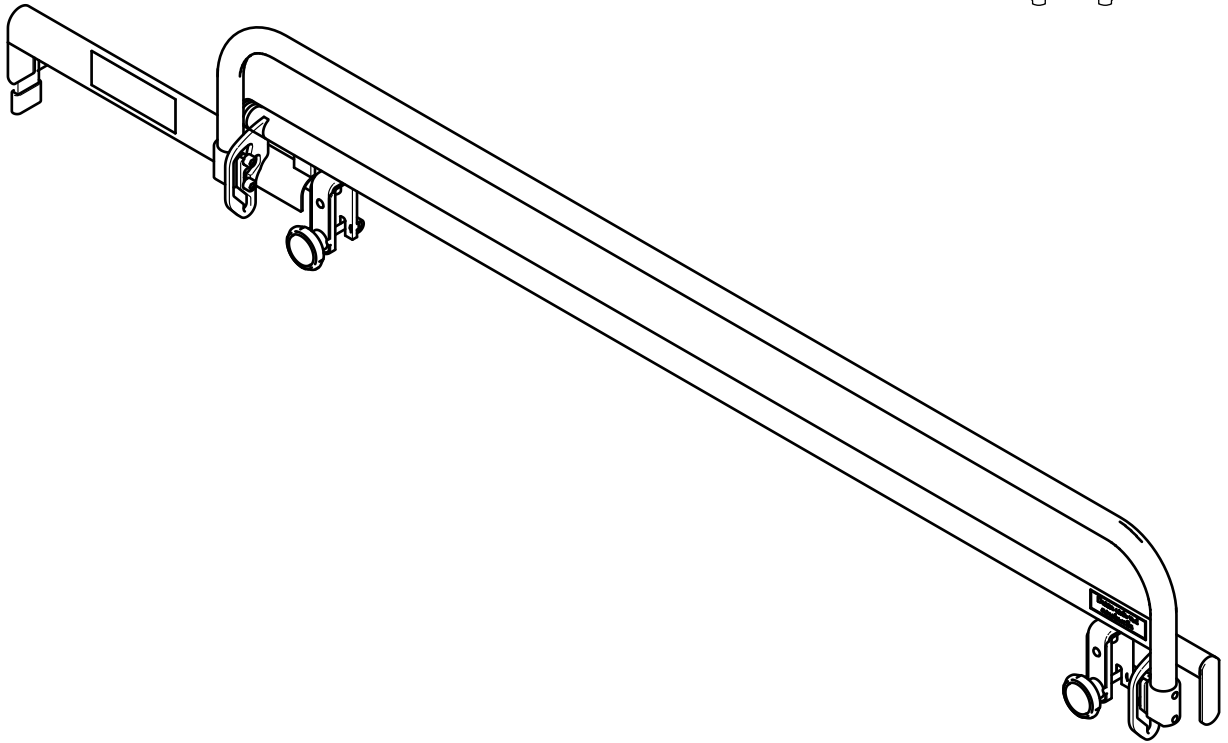
Side rail

L R
1 2



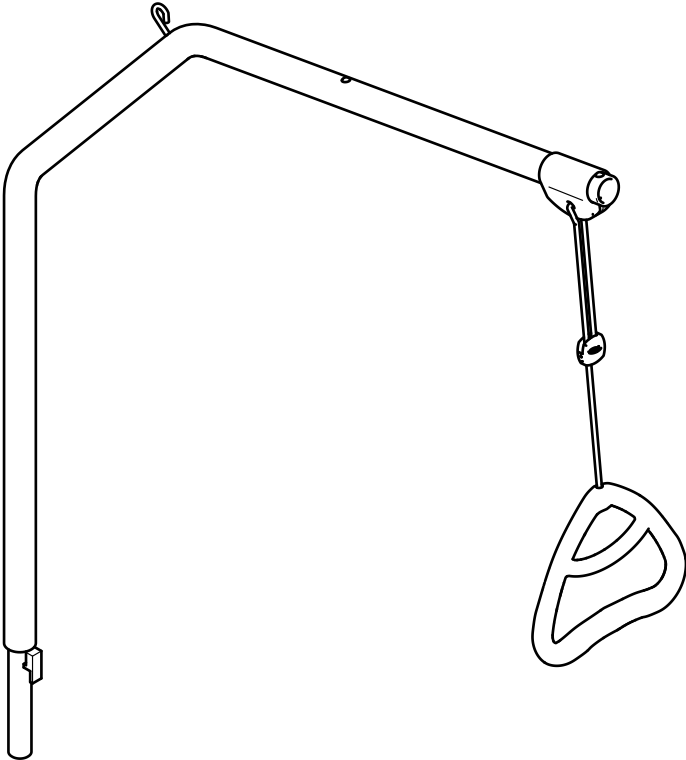
Pos.	Part number	Description
1	SP1561908	Side rail left
2	SP1561907	Side rail right

Side rail extension



Pos.	Part number	Description
1	152356-0150	Side rail, extension, pair

Lifting pole



Pos.	Part number	Description
1	1488661-0150	Lifting pole