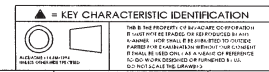


**PRELIMINARY**  
Config Prod Top Level #: Y or N  
If "Y" Make Comm Code #:  
QTY PER UNIT:  
DES ENG: Alan An 11/2.2010  
PROC ENG: Kelvin Wong 1/8.2010

ITEM NO.	PART NO.	DESCRIPTION	QTY.
1	1147175	CBE W/DMT, SUPPORT CROSS W/ FOOTREST	1
2	1075671	ISG W/DMT, LEG STAND UP LIFT	1
3	1156181	ASM HANDLE LIFT W/ TAPE	2
4	1156179	SHROUD, PORTABLE OVERHEAD LIFT W/ FOOTREST	1
5	1078279	BOLT, 1/2-13 X 2.25 HX	1
6	1068305	WASHER, .505X1.124X.100 PLAIN	4
7	1062419	BUSHING, FLANGED	4
8	1065214	WASHER, Ø.39 FLAT	7
9	1062424	SCREW, Ø.50 X .500 X 3/8-16 SOC HD SHLDR	2
10	1065216	NUT, 3/8-16 HX LOCK	2
11	1155118	CASTER, 3" SWIVL	2
12	1123539	ASM, CASTER & WHEEL 5" SWIVEL W/BRAKE	2
13	1073884	BOLT, 1/2-13 X 1.25 HX	4
14	1014371	WASHER, Ø.50 RHS LOCK	4
15	1155720	SCREW, 5/16-18 X .81 SOC BUT HD CAP W/PATCH	4
16	1065182	ASM, TIE ROD	2
17	1029134	SCREW, Ø.50 X 1.25 SOC HD SHLDR W/PATCH	1
18	1064122	SPRING, 1.03 X 1.06	1
19	1078287	ISG W/DMNT, HANDLE	1
20	1156176	TBK W/DMT, MTG HANDLE	1
21	1032246	GRIP, CANE	1
22	1079803	PAD, KNEE	1
23	1027871	ASM, PAD MTG	1
24	1025704	WASHER, FLAT, .330 X .625 X .050	8
25	1071955	SCREW, 5/16-18 X .75 SOC BUT HD CAP	4
26	1065360	CAP, END	2
27	1064455	SCREW, .38 X 1.75 X 5/16-18 SOC HD SHLDR	2
28	1064267	NUT, 5/16-18 LOCK HVY HX	4
29	1071834	ISG BRACKET, HORN	1
30	1156173	BUSHING, HORN	2
31	1007269	SCREW, 1/4-20 X .62 SOC BUT HD CAP	4
32	1156174	ISG W/DMNT, HORN	1
33	12642X000	SCREW, #8-15 X .625 PH PAN HD TAP	1
34	1025195	NUT, 1/4-20 LOCK HX	4
35	1070177	RNGB, HOOK	8
36	1028749	NUT, 5/16-18 LOCK HX	8
37	1070902	CAP, HOOK	8
38	1071249	PLUG, BALL, 1.25	2
39	1078284	BRACKET, BATTERY	1
40	1156165	CONTROLLER, LINAK	1
41	1078276	BATTERY PACK, LINAK	1
42	1023632	CLIP, CHRISTMAS TREE	1
43	1078980	SCREW, 10-24 X .25 PH PAN	3
44	1078981	NUT, 1/2-13 LOCK HX	1
45	1156180	ACTUATOR, LINAK	1
46	1078283	HB#1, HANDSET	1
47	1171742	LABEL MINI MANUAL LABEL, RELIANT 350 FRENCH	1
48	1073705	DECAL, RELIANT 350 LOGO	4
49	1079112	LABEL, ATTENTION	4
50	1079113	LABEL, YEAR OF MFR	2
51	1076388	GRIP, HAND	2
52	1088279	INSERT, CARTON	2
53	1088272	INSERT, CARTON	1
54	1156167	CARTON, SHIPPER COVER	1
55	1088273	INSERT, CARTON	1
56	1079691	CARTON, SHIPPER	1
57	1144401	CARTON, SHIPPER BOTTOM	1
58	1088278	INSERT, CARTON	1
59	40131X044	CARTON, SHIPPER 11-1/2X7-1/4X3	1
60	1020635	BASE, 24 X 12 PLASTIC	1
61	1078985	MANUAL, OWNER'S LIFT 350 UK, FR, GER, DUT	1
62	1064443	BUSHING, Ø.38 X 1.02	1
63	10369X000	WRENCH, ALLEN 3/16	1
64	1115217	INSERT, CARTON	1
65	1115718	INSERT, CARTON	2
66	1081004	PRODUCT SPEC., RELIANT PATIENT LIFT	0
67	1026174	WASHER, .510X.875X.055 PLAIN	4
68	1144402	REINFORCEMENT, CORNER, CARTON	4
69	1152416	CAP, CLIP, RUBBER GRAY	1
70	1155352	W/DMT, INDEX PLATE	1
71	1155353	SCREW, 1/4X.51 SOC HD SHLDR	1
72	1155354	WASHER, .270 X .400 X .065/036 PLAIN	1
73	1155138	ROLLER, INDEX PLATE	1
74	1155355	WASHER, .210 X .400 X .065/036 PLAIN	1
75	1155356	NUT, 10-32 LOCK W/W/FLON	1
76	1031665	SCREW, 3/8 X 1.50 SOC HD SHLDR	2
77	1155357	CAP, ACTUATOR	1
78	1155358	SCREW, #8-15 X .250 PH PAN HD TAP	1
79	1155117	MYLAR, CASTER BOLT	4
80	1065361	CAP, 2.50 X 1.50 END	1
81	1134846	SHEET, INSTRUCTION RECYCLING	1
82	1136841	LABEL, RECYCLING	1
83	1076513	CARD, VIGILANCE	1
84	1155873	POWERCORD, EU CABLE	1
85	1484686	SLING, STAND ASSIST	1

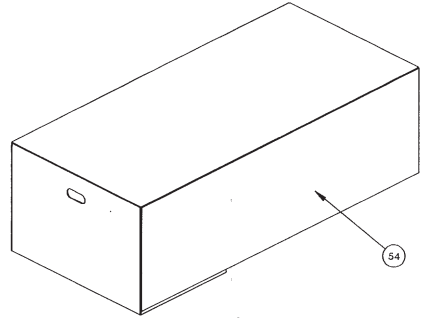
\* NOT SHOWN



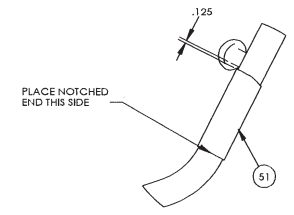
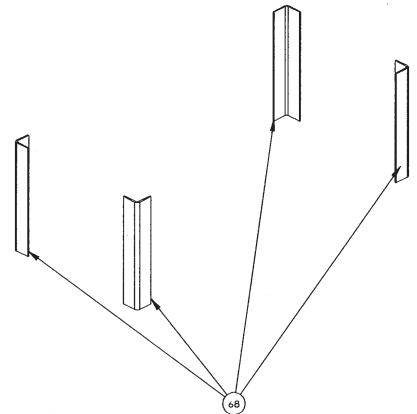
SHEET 1 OF 2

REV	DATE	BY	CHKD	DESCRIPTION	DATE	BY	CHKD	DESCRIPTION

**ASM, LIFT RELIANT 350 POWER LOW BASE FR**  
 INVCARE CORP. ELYRIA, OHIO  
 RPS350-1FR

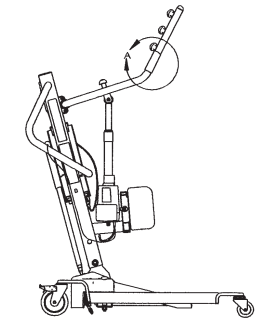
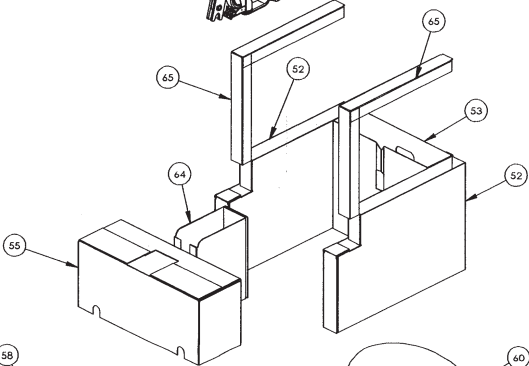
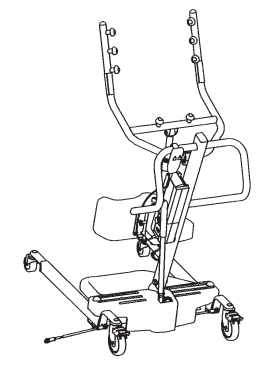


(LOWER BASE)

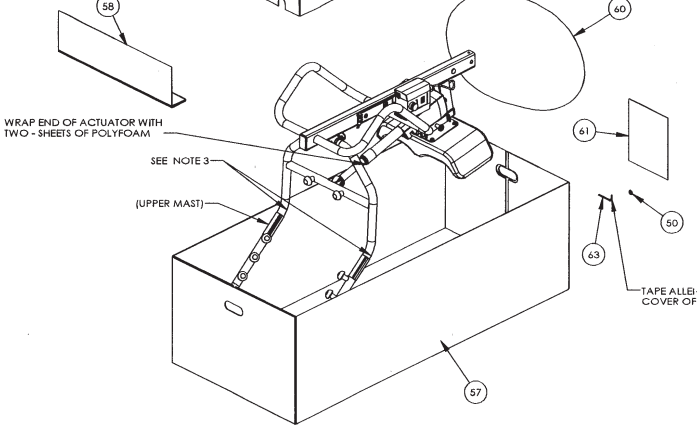


PLACE NOTCHED  
END THIS SIDE

DETAIL A  
SCALE 1 : 3



**PRELIMINARY**  
Contig Prod Top Level #: Y or N  
"Y" Make Comm Code #:  
**QTY PER UNIT:**  
**DES ENG:** Alan As 11/8-2010  
**PROC ENG:** Colon Wang 11/8. 2010



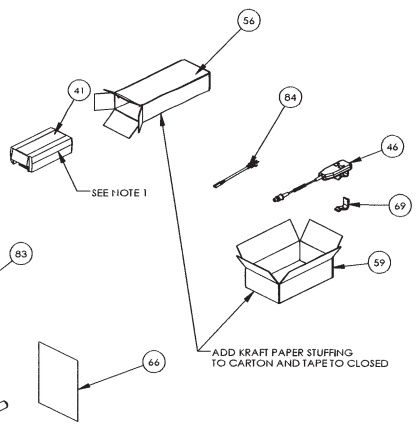
WRAP END OF ACTUATOR WITH  
TWO SHEETS OF POLYFOAM

SEE NOTE 3

(UPPER MAST)

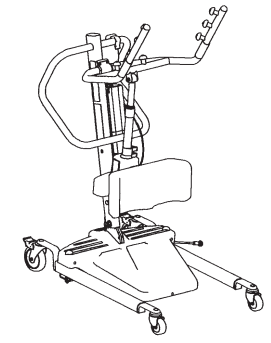
TAPE ALLEN WRENCH TO FRONT  
COVER OF MANUAL (ITEM 62)

(HANDLE ASM)  
WRAP EACH END WITH  
ONE PIECE OF POLYFOAM



SEE NOTE 1

ADD KRAFT PAPER STUFFING  
TO CARTON AND TAPETO CLOSED



NOTE:  
1) PACK BATTERY (ITEM 41) STILL IN ORIGINAL PLASTIC BAG THAT  
IT WAS RECEIVED IN (NOT SHOWN), INTO CARTONS (ITEM 56).  
2) INSERT CARTONS AND MANUAL INTO CARTON (ITEM 59).  
3) WRAP ALL SURFACES THAT COME IN CONTACT WITH PACKAGING WITH POLYFOAM.

SHEET 2 OF 2  
▲ = KEY CHARACTERISTIC IDENTIFICATION  
SMALLER PROFILES OF KEY CHARACTERISTICS  
A. SMALLEST PROFILES OF KEY CHARACTERISTICS  
B. SMALLEST PROFILES OF KEY CHARACTERISTICS  
C. SMALLEST PROFILES OF KEY CHARACTERISTICS  
D. SMALLEST PROFILES OF KEY CHARACTERISTICS  
E. SMALLEST PROFILES OF KEY CHARACTERISTICS  
F. SMALLEST PROFILES OF KEY CHARACTERISTICS  
G. SMALLEST PROFILES OF KEY CHARACTERISTICS  
H. SMALLEST PROFILES OF KEY CHARACTERISTICS  
I. SMALLEST PROFILES OF KEY CHARACTERISTICS  
J. SMALLEST PROFILES OF KEY CHARACTERISTICS  
K. SMALLEST PROFILES OF KEY CHARACTERISTICS  
L. SMALLEST PROFILES OF KEY CHARACTERISTICS  
M. SMALLEST PROFILES OF KEY CHARACTERISTICS  
N. SMALLEST PROFILES OF KEY CHARACTERISTICS  
O. SMALLEST PROFILES OF KEY CHARACTERISTICS  
P. SMALLEST PROFILES OF KEY CHARACTERISTICS  
Q. SMALLEST PROFILES OF KEY CHARACTERISTICS  
R. SMALLEST PROFILES OF KEY CHARACTERISTICS  
S. SMALLEST PROFILES OF KEY CHARACTERISTICS  
T. SMALLEST PROFILES OF KEY CHARACTERISTICS  
U. SMALLEST PROFILES OF KEY CHARACTERISTICS  
V. SMALLEST PROFILES OF KEY CHARACTERISTICS  
W. SMALLEST PROFILES OF KEY CHARACTERISTICS  
X. SMALLEST PROFILES OF KEY CHARACTERISTICS  
Y. SMALLEST PROFILES OF KEY CHARACTERISTICS  
Z. SMALLEST PROFILES OF KEY CHARACTERISTICS

REV	DATE	BY	CHKD	APP'D	DESCRIPTION	REV	DATE	BY	CHKD	APP'D	DESCRIPTION	REV	DATE	BY	CHKD	APP'D	DESCRIPTION

ASM, LIFT RELIANT 350  
POWER LOW BASE FR  
INVACARE CORP. ELYRIA OHIO  
RPS350-1FR