

Spare Parts Catalogue

Version: 2009/05/22b EN



küschall **R33**



Yes, you can.®

General Information

For any order of spare parts the following information is required:

- Product type*
- Product name & model*
- Serial Number*
- Part-Number*
- Part-Description*

Exploded view drawings and code numbers are not contractual and subject to modification, in relation to Invacare® continuous product improvement policy to meet end users needs.

The reproduction or use of this work, or of any substantial part of this work, in any form or by any electronic, mechanical or other means, including photocopying, scanning and recording, and in any information storage and retrieval system, including electronic transmission, is forbidden without the prior written permission of Invacare® International Sarl.



Yes, you can.®

TABLE OF CONTENTS

INFORMATION

Frame colours	5
CPS colours	6

CHASSIS

Frame	7
Axle tubes	9

SEAT

Seat module	10
Seat frame, cover standard	11
Seat frame, cover tension adjustable	13
Seat cushion	15
Seat cushion Flo-tech	19

BACKREST

Backrest	20
Bands to adjustable backrest	22
Cover to adjustable backrest	23

FOOTREST

Footrest standard	26
Footrest angle adjustable	27
Footrest mounted in high position	28
Calf strap	29

SIDERESTS

Clothes-guards	30
Mudguards =>31.10.2008	31
Mudguards 01.11.2008=>	32
Siderest height adjustable =>31.03.2008	33
Siderest height adjustable 01.04.2008=>	34

FRONT WHEELS

Front wheel supporter	35
Front wheels	36

REAR WHEELS

Küschall Starec wheels	37
Küschall wheel accessories	38
High Performance wheel	40
Mountain bike wheel	42
Spinergy wheel	43

BRAKES

Brakes	44
--------------	----







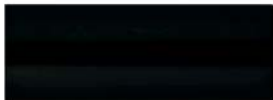
Yes, you can.®

TABLE OF CONTENTS

OPTIONS & ACCESSORIES


Antitipper	45
Chair accessories	46

Frame colours

	-0410	polished
	-0419	silver grey
	-0442	night shimmer
	-3524	royal red
	-9005	black glossy

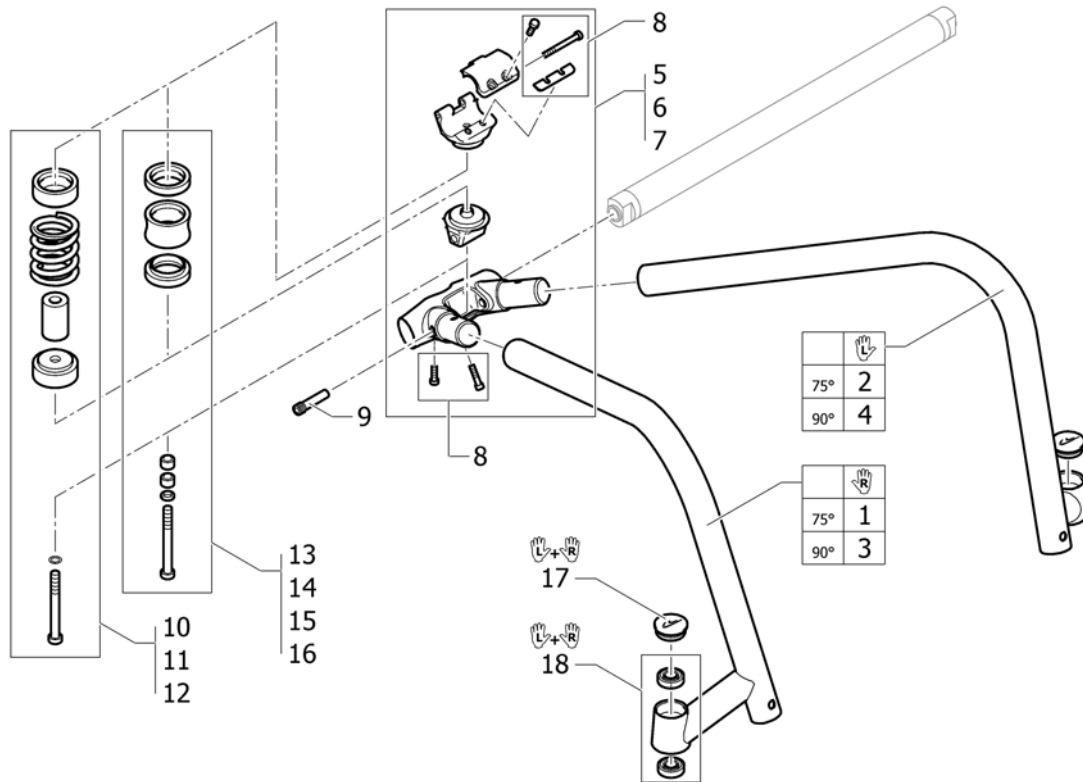
Pos.	Part number	Description	Valid from → until	Qty
0	--	Available frame colours		0

CPS colours

	-0400	techno-anthracite
	-0401	lemon
	-0404	b-blue
	-0440	comet red
	-0441	arctic blue

Pos.	Part number	Description	Valid from → until	Qty
0	--	Available CPS-colours		0

Frame

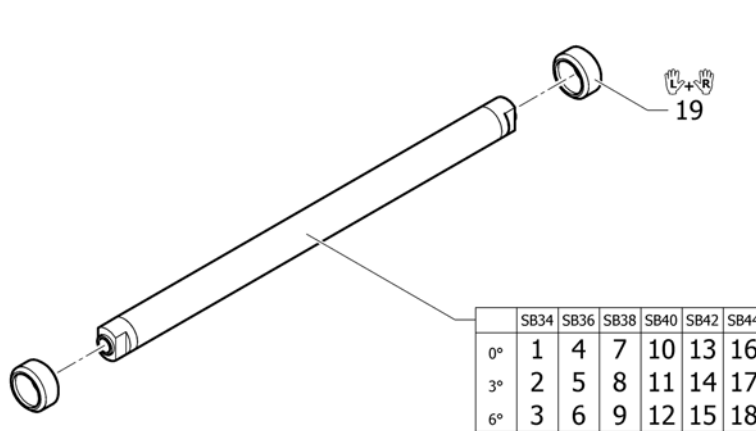


Pos.	Part number	Description	Valid from → until	Qty
1	1498799-0410	Frame R33 right 75°, polished		1
1	1498799-0419	Frame R33 right 75°, silver grey		1
1	1498799-0442	Frame R33 right 75°, night shimmer		1
1	1498799-3524	Frame R33 right 75°, royal red		1
1	1498799-9005	Frame R33 right 75°, glossy black		1
2	1498800-0410	Frame R33 left 75°, polished		1
2	1498800-0419	Frame R33 left 75°, silver grey		1
2	1498800-0442	Frame R33 left 75°, night shimmer		1
2	1498800-3524	Frame R33 left 75°, royal red		1
2	1498800-9005	Frame R33 left 75°, glossy black		1
3	1498801-0410	Frame R33 right 90°, polished		1
3	1498801-0419	Frame R33 right 90°, silver grey		1
3	1498801-0442	Frame R33 right 90°, night shimmer		1
3	1498801-3524	Frame R33 right 90°, royal red		1
3	1498801-9005	Frame R33 right 90°, glossy black		1
4	1498802-0410	Frame R33 left 90°, polished		1
4	1498802-0419	Frame R33 left 90°, silver grey		1
4	1498802-0442	Frame R33 left 90°, night shimmer		1
4	1498802-3524	Frame R33 left 90°, royal red		1
4	1498802-9005	Frame R33 left 90°, glossy black		1
5	1504477-0400	Centerpart kit SB34-SB36 techno		1
5	1504477-0401	Centerpart kit SB34-SB36 lemon		1
5	1504477-0404	Centerpart kit SB34-SB36 b-blue		1
5	1504477-0440	Centerpart kit SB34-SB36 comet red		1
5	1504477-0441	Centerpart kit SB34-SB36 arctic Blue		1
6	1504478-0400	Centerpart kit SB38-SB40 techno		1
6	1504478-0401	Centerpart kit SB38-SB40 lemon		1
6	1504478-0404	Centerpart kit SB38-SB40 b-blue		1
6	1504478-0440	Centerpart kit SB38-SB40 comet red		1
6	1504478-0441	Centerpart kit SB38-SB40 arctic Blue		1
7	1504479-0400	Centerpart kit SB42-SB44 techno		1

Frame

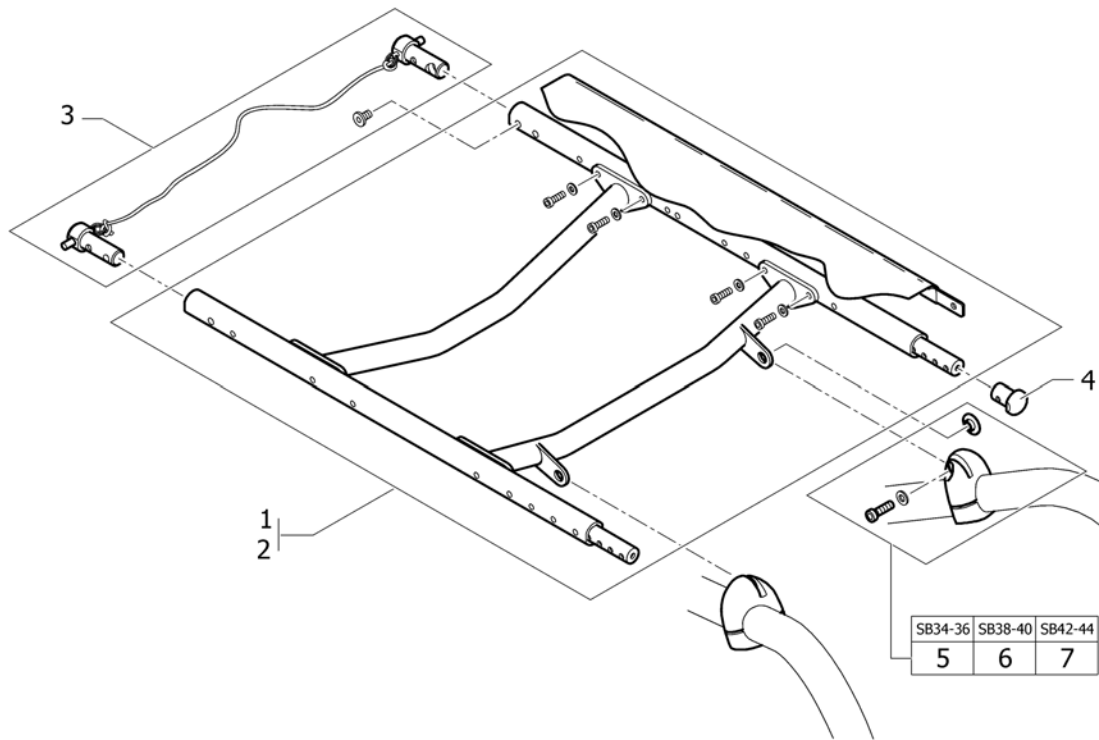
Pos.	Part number	Description	Valid from → until	Qty
7	1504479-0401	Centerpart kit SB42-SB44 lemon		1
7	1504479-0404	Centerpart kit SB42-SB44 b-blue		1
7	1504479-0440	Centerpart kit SB42-SB44 comet red		1
7	1504479-0441	Centerpart kit SB42-SB44 arctic Blue		1
8	1504520	Fixation kit Centerpart		1
9	1504521	Pivot pin pair standard		1
10	1504570	Low impact system kit < 70kg		1
11	1504608	Low impact system kit 70-85kg		1
12	1504609	Low impact system kit > 85kg		1
13	1504640	Vertical Set for fixed seating, S		1
14	1504641	Vertical Set for fixed seating, M		1
15	1504642	Vertical Set for fixed seating, L		1
16	1504643	Vertical Set for fixed seating, XL		1
17	1487961-0400	Bearing block cap pair, techno-anthrazit		1
17	1487961-0401	Bearing block cap pair, lemon		1
17	1487961-0404	Bearing block cap pair, b-blue		1
17	1487961-0440	Bearing block cap pair, comet red		1
17	1487961-0441	Bearing block cap pair, arctic blue		1
18	1451718	Bearing kit		1

Axle tubes



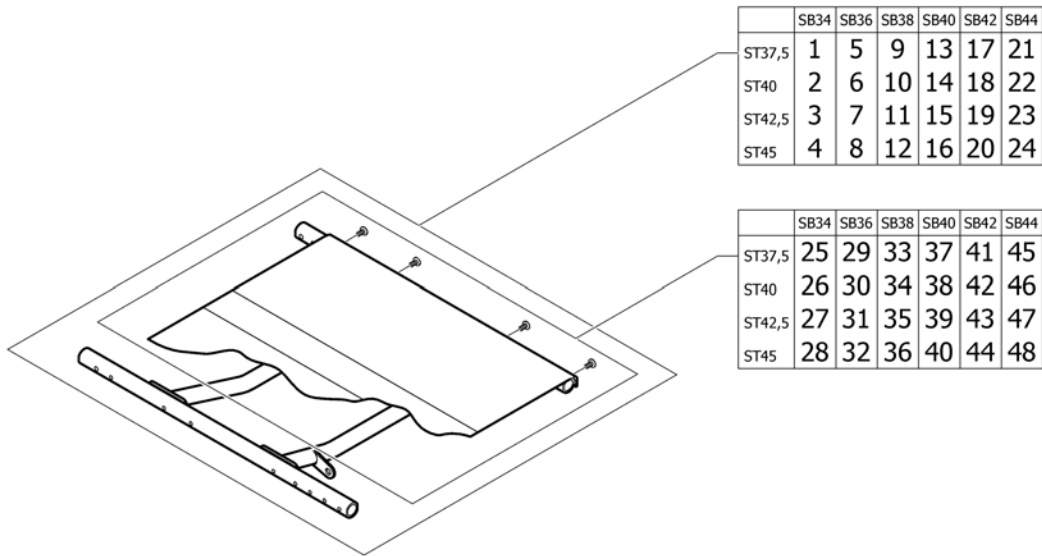
Pos.	Part number	Description	Valid from → until	Qty
1	1504644	Axle tube Carbon 0°/318mm		1
2	1504645	Axle tube Carbon 3°/344mm		1
3	1504646	Axle tube Carbon 6°/374mm		1
4	1504647	Axle tube Carbon 0°/338mm		1
5	1504648	Axle tube Carbon 3°/364mm		1
6	1504649	Axle tube Carbon 6°/394mm		1
7	1504650	Axle tube Carbon 0°/358mm		1
8	1504651	Axle tube Carbon 3°/384mm		1
9	1504652	Axle tube Carbon 6°/414mm		1
10	1504653	Axle tube Carbon 0°/378mm		1
11	1504654	Axle tube Carbon 3°/404mm		1
12	1504655	Axle tube Carbon 6°/434mm		1
13	1504656	Axle tube Carbon 0°/398mm		1
14	1504657	Axle tube Carbon 3°/424mm		1
15	1504658	Axle tube Carbon 6°/454mm		1
16	1504659	Axle tube Carbon 0°/418mm		1
17	1504660	Axle tube Carbon 3°/444mm		1
18	1504661	Axle tube Carbon 6°/474mm		1
19	1506094	Axle rings, pair		1

Seat module



Pos.	Part number	Description	Valid from → until	Qty
1	-	Seat frame, cover standard		1
2	-	Seat frame, cover tension adjustable		1
3	1486540	Backrest-Bolt Set		1
4	1486539-0400	Seatmodule plug, pair, techno-anthrazit		1
4	1486539-0401	Seatmodule plug, pair, lemon		1
4	1486539-0404	Seatmodule plug, pair, b-blue		1
4	1486539-0440	Seatmodule plug, pair, comet red		1
4	1486539-0441	Seatmodule plug, pair, arctic blue		1
5	1504663	Fixation part seat-to-frame front, pair, SB34/36		1
6	1504664	Fixation part seat-to-frame front, pair, SB38/40		1
7	1504665	Fixation part seat-to-frame front, pair, SB42/44		1

Seat frame, cover standard

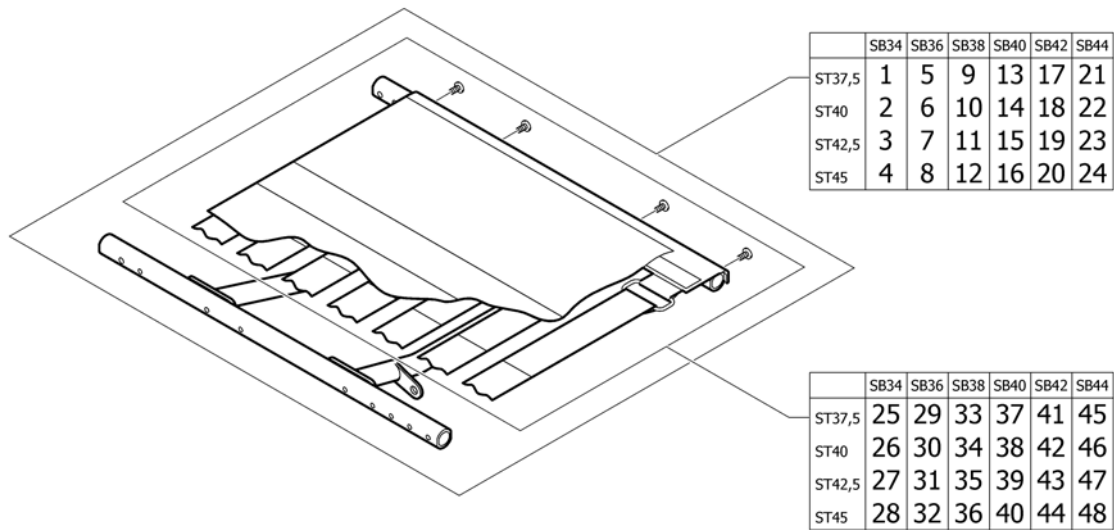


Pos.	Part number	Description	Valid from → until	Qty
1	1504666	Seat module complete, cover standard SB34 ST37,5		1
2	1504667	Seat module complete, cover standard SB34 ST40		1
3	1504668	Seat module complete, cover standard SB34 ST42,5		1
4	1504669	Seat module complete, cover standard SB34 ST45		1
5	1504670	Seat module complete, cover standard SB36 ST37,5		1
6	1504671	Seat module complete, cover standard SB36 ST40		1
7	1504672	Seat module complete, cover standard SB36 ST42,5		1
8	1504673	Seat module complete, cover standard SB36 ST45		1
9	1504674	Seat module complete, cover standard SB38 ST37,5		1
10	1504675	Seat module complete, cover standard SB38 ST40		1
11	1504676	Seat module complete, cover standard SB38 ST42,5		1
12	1504677	Seat module complete, cover standard SB38 ST45		1
13	1504678	Seat module complete, cover standard SB40 ST37,5		1
14	1504679	Seat module complete, cover standard SB40 ST40		1
15	1504680	Seat module complete, cover standard SB40 ST42,5		1
16	1504681	Seat module complete, cover standard SB40 ST45		1
17	1504682	Seat module complete, cover standard SB42 ST37,5		1
18	1504683	Seat module complete, cover standard SB42 ST40		1
19	1504684	Seat module complete, cover standard SB42 ST42,5		1
20	1504685	Seat module complete, cover standard SB42 ST45		1
21	1504686	Seat module complete, cover standard SB44 ST37,5		1
22	1504687	Seat module complete, cover standard SB44 ST40		1
23	1504688	Seat module complete, cover standard SB44 ST42,5		1
24	1504710	Seat module complete, cover standard SB44 ST45		1
25	1505103	Seat cover standard, kit complete, SB34 ST37,5		1
26	1505104	Seat cover standard, kit complete, SB34 ST40		1
27	1505105	Seat cover standard, kit complete, SB34 ST42,5		1
28	1505106	Seat cover standard, kit complete, SB34 ST45		1
29	1505107	Seat cover standard, kit complete, SB36 ST37,5		1
30	1505108	Seat cover standard, kit complete, SB36 ST40		1
31	1505109	Seat cover standard, kit complete, SB36 ST42,5		1

Seat frame, cover standard

Pos.	Part number	Description	Valid from → until	Qty
32	1505110	Seat cover standard, kit complete, SB36 ST45		1
33	1505111	Seat cover standard, kit complete, SB38 ST37,5		1
34	1505112	Seat cover standard, kit complete, SB38 ST40		1
35	1505113	Seat cover standard, kit complete, SB38 ST42,5		1
36	1505114	Seat cover standard, kit complete, SB38 ST45		1
37	1505115	Seat cover standard, kit complete, SB40 ST37,5		1
38	1505116	Seat cover standard, kit complete, SB40 ST40		1
39	1505117	Seat cover standard, kit complete, SB40 ST42,5		1
40	1505118	Seat cover standard, kit complete, SB40 ST45		1
41	1505119	Seat cover standard, kit complete, SB42 ST37,5		1
42	1505120	Seat cover standard, kit complete, SB42 ST40		1
43	1505121	Seat cover standard, kit complete, SB42 ST42,5		1
44	1505122	Seat cover standard, kit complete, SB42 ST45		1
45	1505123	Seat cover standard, kit complete, SB44 ST37,5		1
46	1505124	Seat cover standard, kit complete, SB44 ST40		1
47	1505125	Seat cover standard, kit complete, SB44 ST42,5		1
48	1505126	Seat cover standard, kit complete, SB44 ST45		1

Seat frame, cover tension adjustable

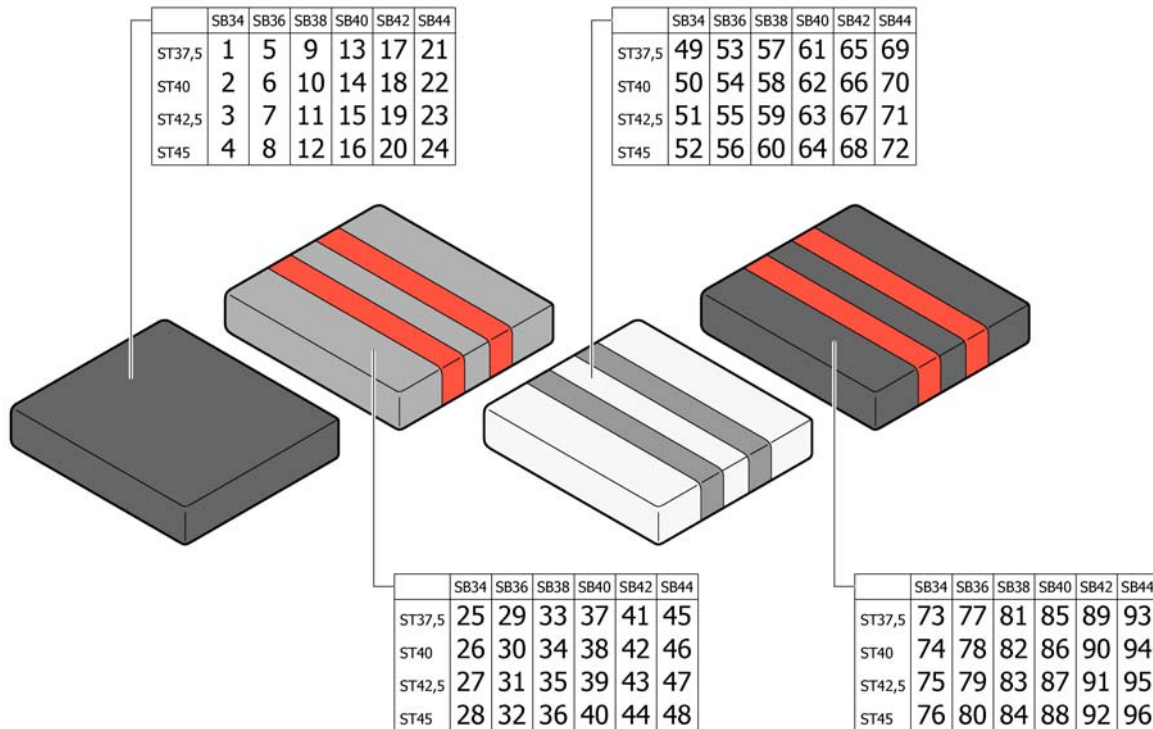


Pos.	Part number	Description	Valid from → until	Qty
1	1504711	Seat module complete, cover tension adjustable SB34 ST37,5		1
2	1504712	Seat module complete, cover tension adjustable SB34 ST40		1
3	1504713	Seat module complete, cover tension adjustable SB34 ST42,5		1
4	1504714	Seat module complete, cover tension adjustable SB34 ST45		1
5	1504978	Seat module complete, cover tension adjustable SB36 ST37,5		1
6	1504979	Seat module complete, cover tension adjustable SB36 ST40		1
7	1504980	Seat module complete, cover tension adjustable SB36 ST42,5		1
8	1504981	Seat module complete, cover tension adjustable SB36 ST45		1
9	1505042	Seat module complete, cover tension adjustable SB38 ST37,5		1
10	1505043	Seat module complete, cover tension adjustable SB38 ST40		1
11	1505044	Seat module complete, cover tension adjustable SB38 ST42,5		1
12	1505045	Seat module complete, cover tension adjustable SB38 ST45		1
13	1505091	Seat module complete, cover tension adjustable SB40 ST37,5		1
14	1505092	Seat module complete, cover tension adjustable SB40 ST40		1
15	1505093	Seat module complete, cover tension adjustable SB40 ST42,5		1
16	1505094	Seat module complete, cover tension adjustable SB40 ST45		1
17	1505095	Seat module complete, cover tension adjustable SB42 ST37,5		1
18	1505096	Seat module complete, cover tension adjustable SB42 ST40		1
19	1505097	Seat module complete, cover tension adjustable SB42 ST42,5		1
20	1505098	Seat module complete, cover tension adjustable SB42 ST45		1
21	1505099	Seat module complete, cover tension adjustable SB44 ST37,5		1
22	1505100	Seat module complete, cover tension adjustable SB44 ST40		1
23	1505101	Seat module complete, cover tension adjustable SB44 ST42,5		1
24	1505102	Seat module complete, cover tension adjustable SB44 ST45		1
25	1505127	Seat cover tension adjustable, kit complete, SB34 ST37,5		1
26	1505128	Seat cover tension adjustable, kit complete, SB34 ST40		1
27	1505129	Seat cover tension adjustable, kit complete, SB34 ST42,5		1
28	1505130	Seat cover tension adjustable, kit complete, SB34 ST45		1
29	1505131	Seat cover tension adjustable, kit complete, SB36 ST37,5		1
30	1505132	Seat cover tension adjustable, kit complete, SB36 ST40		1
31	1505133	Seat cover tension adjustable, kit complete, SB36 ST42,5		1

Seat frame, cover tension adjustable

Pos.	Part number	Description	Valid from → until	Qty
32	1505134	Seat cover tension adjustable, kit complete, SB36 ST45		1
33	1505322	Seat cover tension adjustable, kit complete, SB38 ST37,5		1
34	1505323	Seat cover tension adjustable, kit complete, SB38 ST40		1
35	1505324	Seat cover tension adjustable, kit complete, SB38 ST42,5		1
36	1505325	Seat cover tension adjustable, kit complete, SB38 ST45		1
37	1505326	Seat cover tension adjustable, kit complete, SB40 ST37,5		1
38	1505327	Seat cover tension adjustable, kit complete, SB40 ST40		1
39	1505342	Seat cover tension adjustable, kit complete, SB40 ST42,5		1
40	1505343	Seat cover tension adjustable, kit complete, SB40 ST45		1
41	1505344	Seat cover tension adjustable, kit complete, SB42 ST37,5		1
42	1505345	Seat cover tension adjustable, kit complete, SB42 ST40		1
43	1505346	Seat cover tension adjustable, kit complete, SB42 ST42,5		1
44	1505347	Seat cover tension adjustable, kit complete, SB42 ST45		1
45	1505348	Seat cover tension adjustable, kit complete, SB44 ST37,5		1
46	1505349	Seat cover tension adjustable, kit complete, SB44 ST40		1
47	1505350	Seat cover tension adjustable, kit complete, SB44 ST42,5		1
48	1505351	Seat cover tension adjustable, kit complete, SB44 ST45		1

Seat cushion



Pos.	Part number	Description	Valid from → until	Qty
1	1517144	Sitzkissen SB34 ST37.5 Alcantara schwarz <i>Replaces 1497810</i>		1
2	1517170	Sitzkissen SB34 ST40 Alcantara schwarz <i>Replaces 1497811</i>		1
3	1517176	Sitzkissen SB34 ST42.5 Alcantara schwarz <i>Replaces 1497812</i>		1
4	1517185	Sitzkissen SB34 ST45 Alcantara schwarz <i>Replaces 1497813</i>		1
5	1517145	Sitzkissen SB36 ST37.5 Alcantara schwarz <i>Replaces 1497814</i>		1
6	1517171	Sitzkissen SB36 ST40 Alcantara schwarz <i>Replaces 1497815</i>		1
7	1517177	Sitzkissen SB36 ST42.5 Alcantara schwarz <i>Replaces 1497816</i>		1
8	1517186	Sitzkissen SB36 ST45 Alcantara schwarz <i>Replaces 1497897</i>		1
9	1517146	Sitzkissen SB38 ST37.5 Alcantara schwarz <i>Replaces 1498093</i>		1
10	1517172	Sitzkissen SB38 ST40 Alcantara schwarz <i>Replaces 1498094</i>		1
11	1517178	Sitzkissen SB38 ST42.5 Alcantara schwarz <i>Replaces 1498095</i>		1
12	1517187	Sitzkissen SB38 ST45 Alcantara schwarz <i>Replaces 1498096</i>		1
13	1517147	Sitzkissen SB40 ST37.5 Alcantara schwarz <i>Replaces 1498097</i>		1
14	1517173	Sitzkissen SB40 ST40 Alcantara schwarz <i>Replaces 1498098</i>		1
15	1517182	Sitzkissen SB40 ST42.5 Alcantara schwarz <i>Replaces 1498099</i>		1
16	1517188	Sitzkissen SB40 ST45 Alcantara schwarz <i>Replaces 1498100</i>		1
17	1517148	Sitzkissen SB42 ST37.5 Alcantara schwarz <i>Replaces 1498101</i>		1
18	1517174	Sitzkissen SB42 ST40 Alcantara schwarz <i>Replaces 1498102</i>		1

Seat cushion

Pos.	Part number	Description	Valid from → until	Qty
19	1517183	Sitzkissen SB42 ST42.5 Alcantara schwarz <i>Replaces 1498103</i>		1
20	1517189	Sitzkissen SB42 ST45 Alcantara schwarz <i>Replaces 1498104</i>		1
21	1517169	Sitzkissen SB44 ST37.5 Alcantara schwarz <i>Replaces 1498105</i>		1
22	1517175	Sitzkissen SB44 ST40 Alcantara schwarz <i>Replaces 1498106</i>		1
23	1517184	Sitzkissen SB44 ST42.5 Alcantara schwarz <i>Replaces 1498107</i>		1
24	1517190	Sitzkissen SB44 ST45 Alcantara schwarz <i>Replaces 1498108</i>		1
25	1517241	Seat cushion SB34 ST37.5 Alcantara grey-red R33 <i>Replaces 1497157</i>		1
26	1517369	Seat cushion SB34 ST40 Alcantara grey-red R33 <i>Replaces 1497158</i>		1
27	1517375	Seat cushion SB34 ST42.5 Alcantara grey-red R33 <i>Replaces 1497159</i>		1
28	1517381	Seat cushion SB34 ST45 Alcantara grey-red R33 <i>Replaces 1497160</i>		1
29	1517242	Seat cushion SB36 ST37.5 Alcantara grey-red R33 <i>Replaces 1497161</i>		1
30	1517370	Seat cushion SB36 ST40 Alcantara grey-red R33 <i>Replaces 1497162</i>		1
31	1517376	Seat cushion SB36 ST42.5 Alcantara grey-red R33 <i>Replaces 1497163</i>		1
32	1517382	Seat cushion SB36 ST45 Alcantara grey-red R33 <i>Replaces 1497164</i>		1
33	1517243	Seat cushion SB38 ST37.5 Alcantara grey-red R33 <i>Replaces 1497165</i>		1
34	1517371	Seat cushion SB38 ST40 Alcantara grey-red R33 <i>Replaces 1497198</i>		1
35	1517377	Seat cushion SB38 ST42.5 Alcantara grey-red R33 <i>Replaces 1497199</i>		1
36	1517383	Seat cushion SB38 ST45 Alcantara grey-red R33 <i>Replaces 1497200</i>		1
37	1517266	Seat cushion SB40 ST37.5 Alcantara grey-red R33 <i>Replaces 1497201</i>		1
38	1517372	Seat cushion SB40 ST40 Alcantara grey-red R33 <i>Replaces 1497324</i>		1
39	1517378	Seat cushion SB40 ST42.5 Alcantara grey-red R33 <i>Replaces 1497516</i>		1
40	1517384	Seat cushion SB40 ST45 Alcantara grey-red R33 <i>Replaces 1497517</i>		1
41	1517313	Seat cushion SB42 ST37.5 Alcantara grey-red R33 <i>Replaces 1497518</i>		1
42	1517373	Seat cushion SB42 ST40 Alcantara grey-red R33 <i>Replaces 1497519</i>		1
43	1517379	Seat cushion SB42 ST42.5 Alcantara grey-red R33 <i>Replaces 1497520</i>		1
44	1517385	Seat cushion SB42 ST45 Alcantara grey-red R33 <i>Replaces 1497521</i>		1
45	1517314	Seat cushion SB44 ST37.5 Alcantara grey-red R33 <i>Replaces 1497522</i>		1
46	1517374	Seat cushion SB44 ST40 Alcantara grey-red R33 <i>Replaces 1497523</i>		1
47	1517380	Seat cushion SB44 ST42.5 Alcantara grey-red R33 <i>Replaces 1497524</i>		1
48	1517386	Seat cushion SB44 ST45 Alcantara grey-red R33 <i>Replaces 1497525</i>		1
49	1517387	Seat cushion SB34 ST37.5 Alcantara bright grey-grey R33 <i>Replaces 1497526</i>		1
50	1517393	Seat cushion SB34 ST40 Alcantara bright grey-grey R33 <i>Replaces 1497527</i>		1

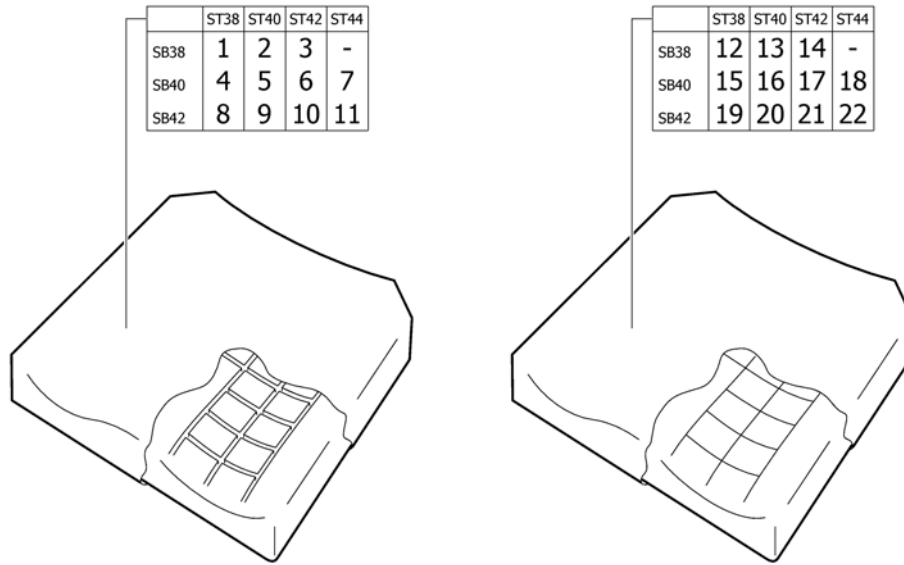
Seat cushion

Pos.	Part number	Description	Valid from → until	Qty
51	1517399	Seat cushion SB34 ST42.5 Alcantara bright grey-grey R33 <i>Replaces 1497528</i>		1
52	1517405	Seat cushion SB34 ST45 Alcantara bright grey-grey R33 <i>Replaces 1497529</i>		1
53	1517388	Seat cushion SB36 ST37.5 Alcantara bright grey-grey R33 <i>Replaces 1497530</i>		1
54	1517394	Seat cushion SB36 ST40 Alcantara bright grey-grey R33 <i>Replaces 1497531</i>		1
55	1517400	Seat cushion SB36 ST42.5 Alcantara bright grey-grey R33 <i>Replaces 1497532</i>		1
56	1517406	Seat cushion SB36 ST45 Alcantara bright grey-grey R33 <i>Replaces 1497533</i>		1
57	1517389	Seat cushion SB38 ST37.5 Alcantara bright grey-grey R33 <i>Replaces 1497534</i>		1
58	1517395	Seat cushion SB38 ST40 Alcantara bright grey-grey R33 <i>Replaces 1497535</i>		1
59	1517401	Seat cushion SB38 ST42.5 Alcantara bright grey-grey R33 <i>Replaces 1497644</i>		1
60	1517407	Seat cushion SB38 ST45 Alcantara bright grey-grey R33 <i>Replaces 1497797</i>		1
61	1517390	Seat cushion SB40 ST37.5 Alcantara bright grey-grey R33 <i>Replaces 1497798</i>		1
62	1517396	Seat cushion SB40 ST40 Alcantara bright grey-grey R33 <i>Replaces 1497799</i>		1
63	1517402	Seat cushion SB40 ST42.5 Alcantara bright grey-grey R33 <i>Replaces 1497800</i>		1
64	1517408	Seat cushion SB40 ST45 Alcantara bright grey-grey R33 <i>Replaces 1497801</i>		1
65	1517391	Seat cushion SB42 ST37.5 Alcantara bright grey-grey R33 <i>Replaces 1497802</i>		1
66	1517397	Seat cushion SB42 ST40 Alcantara bright grey-grey R33 <i>Replaces 1497803</i>		1
67	1517403	Seat cushion SB42 ST42.5 Alcantara bright grey-grey R33 <i>Replaces 1497804</i>		1
68	1517409	Seat cushion SB42 ST45 Alcantara bright grey-grey R33 <i>Replaces 1497805</i>		1
69	1517392	Seat cushion SB44 ST37.5 Alcantara bright grey-grey R33 <i>Replaces 1497806</i>		1
70	1517398	Seat cushion SB44 ST40 Alcantara bright grey-grey R33 <i>Replaces 1497807</i>		1
71	1517404	Seat cushion SB44 ST42.5 Alcantara bright grey-grey R33 <i>Replaces 1497808</i>		1
72	1517410	Seat cushion SB44 ST45 Alcantara bright grey-grey R33 <i>Replaces 1497809</i>		1
73	1517411	Seat cushion SB34 ST37.5 Alcantara black-red R33		1
74	1517417	Seat cushion SB34 ST40 Alcantara black-red R33		1
75	1517423	Seat cushion SB34 ST42.5 Alcantara black-red R33		1
76	1517429	Seat cushion SB34 ST45 Alcantara black-red R33		1
77	1517412	Seat cushion SB36 ST37.5 Alcantara black-red R33		1
78	1517418	Seat cushion SB36 ST40 Alcantara black-red R33		1
79	1517424	Seat cushion SB36 ST42.5 Alcantara black-red R33		1
80	1517430	Seat cushion SB36 ST45 Alcantara black-red R33		1
81	1517413	Seat cushion SB38 ST37.5 Alcantara black-red R33		1
82	1517419	Seat cushion SB38 ST40 Alcantara black-red R33		1
83	1517425	Seat cushion SB38 ST42.5 Alcantara black-red R33		1
84	1517431	Seat cushion SB38 ST45 Alcantara black-red R33		1
85	1517414	Seat cushion SB40 ST37.5 Alcantara black-red R33		1
86	1517420	Seat cushion SB40 ST40 Alcantara black-red R33		1
87	1517426	Seat cushion SB40 ST42.5 Alcantara black-red R33		1
88	1517432	Seat cushion SB40 ST45 Alcantara black-red R33		1
89	1517415	Seat cushion SB42 ST37.5 Alcantara black-red R33		1
90	1517421	Seat cushion SB42 ST40 Alcantara black-red R33		1

Seat cushion

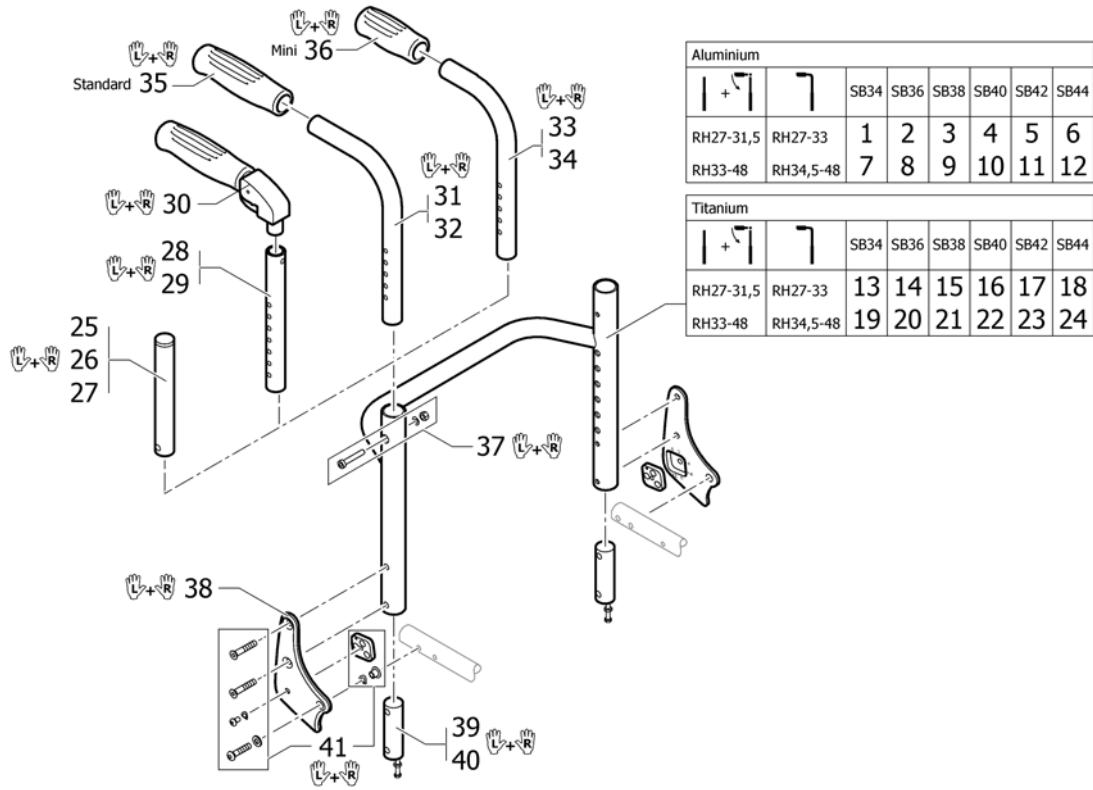
Pos.	Part number	Description	Valid from → until	Qty
91	1517427	Seat cushion SB42 ST42.5 Alcantara black-red R33		1
92	1517433	Seat cushion SB42 ST45 Alcantara black-red R33		1
93	1517416	Seat cushion SB44 ST37.5 Alcantara black-red R33		1
94	1517422	Seat cushion SB44 ST40 Alcantara black-red R33		1
95	1517428	Seat cushion SB44 ST42.5 Alcantara black-red R33		1
96	1517434	Seat cushion SB44 ST45 Alcantara black-red R33		1

Seat cushion Flo-tech



Pos.	Part number	Description	Valid from → until	Qty
1	1510329	Seat cushion Flo-tech Lite SB38 ST38		1
2	1510330	Seat cushion Flo-tech Lite SB38 ST40		1
3	1510331	Seat cushion Flo-tech Lite SB38 ST42		1
4	1510332	Seat cushion Flo-tech Lite SB40 ST38		1
5	1510333	Seat cushion Flo-tech Lite SB40 ST40		1
6	1510334	Seat cushion Flo-tech Lite SB40 ST42		1
7	1510380	Seat cushion Flo-tech Lite SB40 ST44		1
8	1510572	Seat cushion Flo-tech Lite SB42 ST38		1
9	1510795	Seat cushion Flo-tech Lite SB42 ST40		1
10	1510930	Seat cushion Flo-tech Lite SB42 ST42		1
11	1510931	Seat cushion Flo-tech Lite SB42 ST44		1
12	1511093	Seat cushion Flo-tech Lite Visco SB38 ST38		1
13	1511094	Seat cushion Flo-tech Lite Visco SB38 ST40		1
14	1511095	Seat cushion Flo-tech Lite Visco SB38 ST42		1
15	1511491	Seat cushion Flo-tech Lite Visco SB40 ST38		1
16	1511492	Seat cushion Flo-tech Lite Visco SB40 ST40		1
17	1511493	Seat cushion Flo-tech Lite Visco SB40 ST42		1
18	1511494	Seat cushion Flo-tech Lite Visco SB40 ST44		1
19	1511495	Seat cushion Flo-tech Lite Visco SB42 ST38		1
20	1511496	Seat cushion Flo-tech Lite Visco SB42 ST40		1
21	1511497	Seat cushion Flo-tech Lite Visco SB42 ST42		1
22	1511498	Seat cushion Flo-tech Lite Visco SB42 ST44		1

Backrest

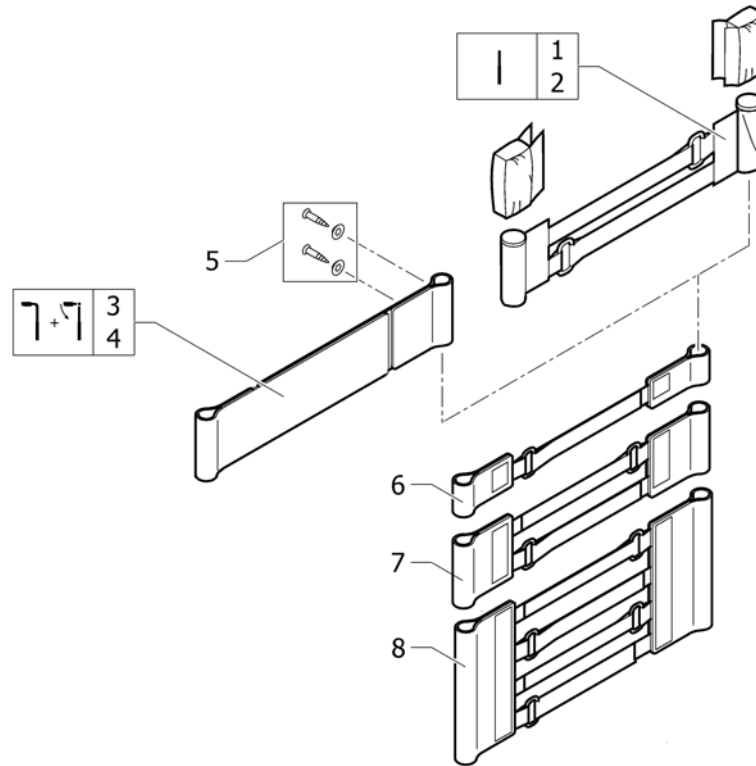


Pos.	Part number	Description	Valid from → until	Qty
1	1491119	Backrest tube Alu SB34 short		1
2	1491120	Backrest tube Alu SB36 short		1
3	1491121	Backrest tube Alu SB38 short		1
4	1491122	Backrest tube Alu SB40 short		1
5	1491214	Backrest tube Alu SB42 short		1
6	1492134	Backrest tube Alu SB44 short		1
7	1491091	Backrest tube Alu SB34 Long		1
8	1491092	Backrest tube Alu SB36 Long		1
9	1451787	Backrest tube Alu SB38 Long		1
10	1451788	Backrest tube Alu SB40 Long		1
11	1451789	Backrest tube Alu SB42 Long		1
12	1451790	Backrest tube Alu SB44 Long		1
13	1451792	Backrest tube Titan SB34 short		1
14	1451793	Backrest tube Titan SB36 short		1
15	1485517	Backrest tube Titan SB38 short		1
16	1485518	Backrest tube Titan SB40 short		1
17	1484827	Backrest tube Titan SB42 short		1
18	1488996	Backrest tube Titan SB44 short		1
19	1488997	Backrest tube Titan SB34 Long		1
20	1488998	Backrest tube Titan SB36 Long		1
21	1488999	Backrest tube Titan SB38 Long		1
22	1489000	Backrest tube Titan SB40 Long		1
23	1489001	Backrest tube Titan SB42 Long		1
24	1489002	Backrest tube Titan SB44 Long		1
25	1511524	Telescopic back tube standard short, pair		1
26	1511525	Telescopic back tube standard medium, pair		1
27	1511526	Telescopic back tube standard long, pair		1
28	1524956	Telescopic tube short for pushhandle foldable, pair		1
29	1525121	Telescopic tube medium for pushhandle foldable, pair		1
30	1507733	Push handles foldable, pair		1
31	1525122	Backrest tube standard, short, pair		1

Backrest

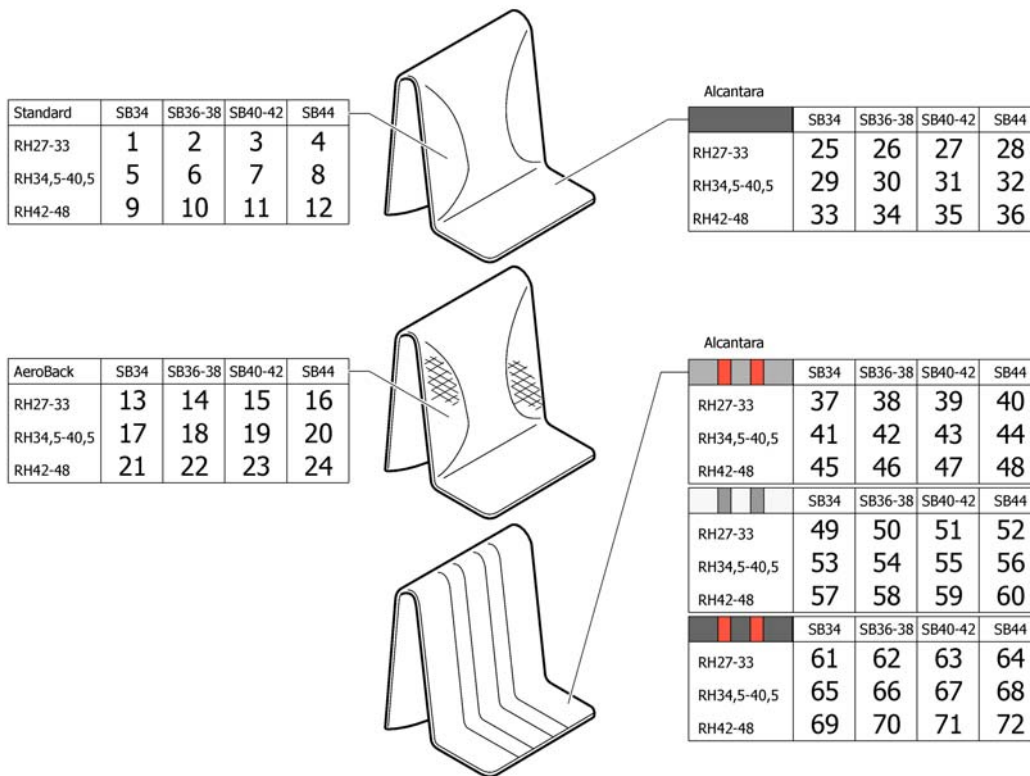
Pos.	Part number	Description	Valid from → until	Qty
32	1525123	Backrest tube standard, long, pair		1
33	1525124	Backrest tube mini, short, pair		1
34	1525125	Backrest tube mini, long, pair		1
35	1507734	Handle black, pair		1
36	1525126	Handle black, mini, pair		1
37	1509136	Screw kit for backrest tube		1
38	1487963-0400	Backrest joint plate, pair, techno-anthrazit		1
38	1487963-0401	Backrest joint plate, pair, lemon		1
38	1487963-0404	Backrest joint plate, pair, b-blue		1
38	1487963-0440	Backrest joint plate, pair, comet red		1
38	1487963-0441	Backrest joint plate, pair, arctic blue		1
39	1487962	Sleeves for backrest tube alu, pair complete		1
40	1505352	Sleeves for backrest tube Titan, pair complete		1
41	1487964	Fixation kit to backrest joint		1

Bands to adjustable backrest



Pos.	Part number	Description	Valid from → until	Qty
1	1513172	Velcro end part, 5 cm <i>Replaces 1416975</i>		1
2	1513173	Velcro end part, 10cm <i>Replaces 1416974</i>		1
3	1513170	Backrest band 2 parts, width: 5cm <i>Replaces 709.1009</i>		1
4	1513171	Backrest band 2 parts, width: 10cm <i>Replaces 709.1018</i>		1
5	1432083	Fixation kit for backrest band		1
6	1513167	Velcro adjustment part with 1 strap, pair <i>Replaces 1439291</i>		1
7	1513168	Velcro adjustment strap with 2 straps, pair <i>Replaces 707.1088</i>		1
8	1513169	Velcro adjustment strap with 4 straps, pair <i>Replaces 707.1087</i>		1

Cover to adjustable backrest



Pos.	Part number	Description	Valid from → until	Qty
1	1512137	Cover to adjustable backrest, SB32-34, short <i>Replaces 1438884</i>		1
2	1512138	Cover to adjustable backrest, SB36-38, short <i>Replaces 1438886</i>		1
3	1512139	Cover to adjustable backrest, SB40-42, short <i>Replaces 1438888</i>		1
4	1512140	Cover to adjustable backrest, SB44-46, short <i>Replaces 1438890</i>		1
5	1512144	Cover to adjustable backrest, SB32-34, medium <i>Replaces 1432010</i>		1
6	1512145	Cover to adjustable backrest, SB36-38, medium <i>Replaces 1432012</i>		1
7	1512146	Cover to adjustable backrest, SB40-42, medium <i>Replaces 1432014</i>		1
8	1512147	Cover to adjustable backrest, SB44-46, medium <i>Replaces 1438893</i>		1
9	1512151	Cover to adjustable backrest, SB32-34, long <i>Replaces 1432016</i>		1
10	1512152	Cover to adjustable backrest, SB36-38, long <i>Replaces 1432018</i>		1
11	1512153	Cover to adjustable backrest, SB40-42, long <i>Replaces 1432020</i>		1
12	1512154	Cover to adjustable backrest, SB44-46, long <i>Replaces 1438896</i>		1
13	1512156	Cover 'Aero' to adjustable backrest, SB32-34, short <i>Replaces 1438446</i>		1
14	1512157	Cover 'Aero' to adjustable backrest, SB36-38, short <i>Replaces 1438448</i>		1
15	1512158	Cover 'Aero' to adjustable backrest, SB40-42, short <i>Replaces 1438450</i>		1
16	1512159	Cover 'Aero' to adjustable backrest, SB44-46, short <i>Replaces 1438452</i>		1
17	1512161	Cover 'Aero' to adjustable backrest, SB32-34, medium <i>Replaces 1438455</i>		1
18	1512162	Cover 'Aero' to adjustable backrest, SB36-38, medium <i>Replaces 1438457</i>		1

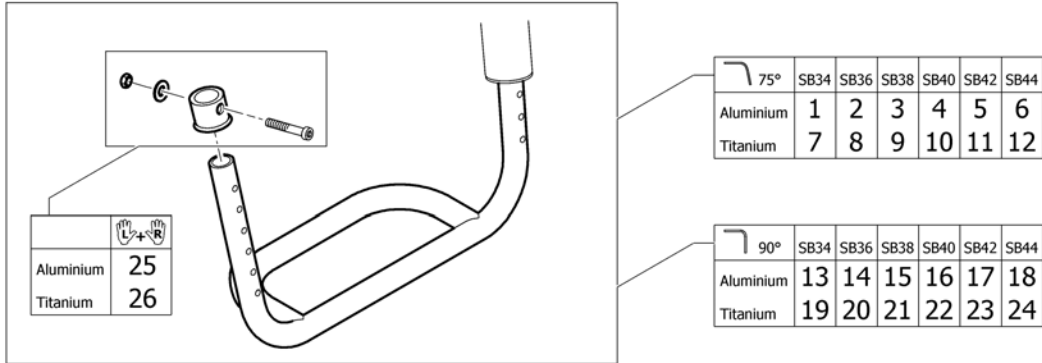
Cover to adjustable backrest

Pos.	Part number	Description	Valid from → until	Qty
19	1512163	Cover 'Aero' to adjustable backrest, SB40-42, medium <i>Replaces 1438459</i>		1
20	1512164	Cover 'Aero' to adjustable backrest, SB44-46, medium <i>Replaces 1438461</i>		1
21	1512166	Cover 'Aero' to adjustable backrest, SB32-34, long <i>Replaces 1438464</i>		1
22	1512167	Cover 'Aero' to adjustable backrest, SB36-38, long <i>Replaces 1438466</i>		1
23	1512168	Cover 'Aero' to adjustable backrest, SB40-42, long <i>Replaces 1438468</i>		1
24	1512169	Cover 'Aero' to adjustable backrest, SB44-46, long <i>Replaces 1438470</i>		1
25	1517466	Cover to adjustable backrest Alcantara black SB 34 short <i>Replaces 1497136</i>		1
26	1517467	Cover to adjustable backrest Alcantara black SB 36-38 short <i>Replaces 1497137</i>		1
27	1517468	Cover to adjustable backrest Alcantara black SB 40-42 short <i>Replaces 1497138</i>		1
28	1517469	Cover to adjustable backrest Alcantara black SB 44-46 short <i>Replaces 1497139</i>		1
29	1517470	Cover to adjustable backrest Alcantara black SB 34 medium <i>Replaces 1497140</i>		1
30	1517471	Cover to adjustable backrest Alcantara black SB 36-38 medium <i>Replaces 1497141</i>		1
31	1517472	Cover to adjustable backrest Alcantara black SB 40-42 medium <i>Replaces 1497142</i>		1
32	1517473	Cover to adjustable backrest Alcantara black SB 44-46 medium <i>Replaces 1497143</i>		1
33	1517474	Cover to adjustable backrest Alcantara black SB 34 long <i>Replaces 1497153</i>		1
34	1517475	Cover to adjustable backrest Alcantara black SB 36-38 long <i>Replaces 1497154</i>		1
35	1517476	Cover to adjustable backrest Alcantara black SB 40-42 long <i>Replaces 1497155</i>		1
36	1517477	Cover to adjustable backrest Alcantara black SB 44-46 long <i>Replaces 1497156</i>		1
37	1517478	Cover to adjustable backrest Alcantara grey, red SB 34 short <i>Replaces 1497112</i>		1
38	1517479	Cover to adjustable backrest Alcantara grey, red SB 36-38 short <i>Replaces 1497113</i>		1
39	1517480	Cover to adjustable backrest Alcantara grey, red SB 40-42 short <i>Replaces 1497114</i>		1
40	1517481	Cover to adjustable backrest Alcantara grey, red SB 44 short <i>Replaces 1497115</i>		1
41	1517482	Cover to adjustable backrest Alcantara grey, red SB 34 medium <i>Replaces 1497116</i>		1
42	1517483	Cover to adjustable backrest Alcantara grey, red SB 36-38 medium <i>Replaces 1497117</i>		1
43	1517484	Cover to adjustable backrest Alcantara grey, red SB 40-42 medium <i>Replaces 1497118</i>		1
44	1517485	Cover to adjustable backrest Alcantara grey, red SB 44 medium <i>Replaces 1497119</i>		1
45	1517486	Cover to adjustable backrest Alcantara grey, red SB 34 long <i>Replaces 1497120</i>		1
46	1517487	Cover to adjustable backrest Alcantara grey, red SB 36-38 long <i>Replaces 1497121</i>		1
47	1517488	Cover to adjustable backrest Alcantara grey, red SB 40-42 long <i>Replaces 1497122</i>		1
48	1517489	Cover to adjustable backrest Alcantara grey, red SB 44 long <i>Replaces 1497123</i>		1
49	1517490	Cover to adjustable backrest Alcantara grey, dark grey SB 34 short <i>Replaces 1497124</i>		1
50	1517491	Cover to adjustable backrest Alcantara grey, dark grey SB 36-38 short <i>Replaces 1497125</i>		1

Cover to adjustable backrest

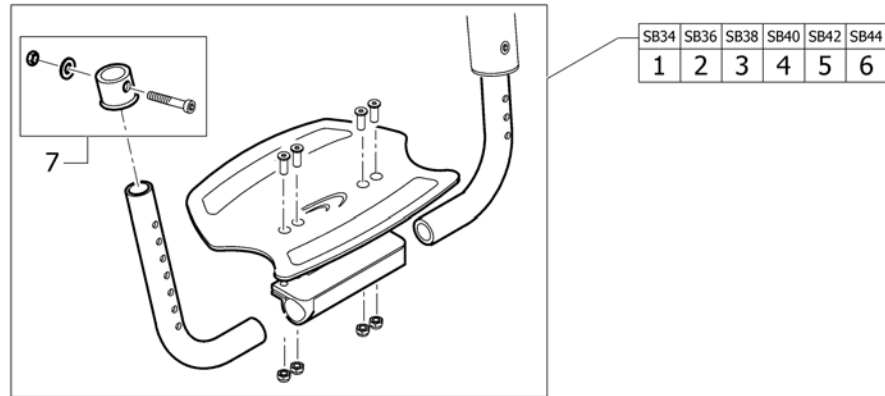
Pos.	Part number	Description	Valid from → until	Qty
51	1517492	Cover to adjustable backrest Alcantara grey, dark grey SB 40-42 short <i>Replaces 1497126</i>		1
52	1517493	Cover to adjustable backrest Alcantara grey, dark grey SB 44 short <i>Replaces 1497127</i>		1
53	1517494	Cover to adjustable backrest Alcantara grey, dark grey SB 34 medium <i>Replaces 1497128</i>		1
54	1517495	Cover to adjustable backrest Alcantara grey, dark grey SB 36-38 medium <i>Replaces 1497129</i>		1
55	1517496	Cover to adjustable backrest Alcantara grey, dark grey SB 40-42 medium <i>Replaces 1497130</i>		1
56	1517497	Cover to adjustable backrest Alcantara grey, dark grey SB 44 medium <i>Replaces 1497131</i>		1
57	1517498	Cover to adjustable backrest Alcantara grey, dark grey SB 34 long <i>Replaces 1497132</i>		1
58	1517499	Cover to adjustable backrest Alcantara grey, dark grey SB 36-38 long <i>Replaces 1497133</i>		1
59	1517500	Cover to adjustable backrest Alcantara grey, dark grey SB 40-42 long <i>Replaces 1497134</i>		1
60	1517501	Cover to adjustable backrest Alcantara grey, dark grey SB 44 long <i>Replaces 1497135</i>		1
61	1517502	Cover to adjustable backrest Alcantara black, red SB 34 short		1
62	1517503	Cover to adjustable backrest Alcantara black, red SB 36-38 short		1
63	1517504	Cover to adjustable backrest Alcantara black, red SB 40-42 short		1
64	1517505	Cover to adjustable backrest Alcantara black, red SB 44 short		1
65	1517506	Cover to adjustable backrest Alcantara black, red SB 34 medium		1
66	1517507	Cover to adjustable backrest Alcantara black, red SB 36-38 medium		1
67	1517508	Cover to adjustable backrest Alcantara black, red SB 40-42 medium		1
68	1517509	Cover to adjustable backrest Alcantara black, red SB 44 medium		1
69	1517510	Cover to adjustable backrest Alcantara black, red SB 34 long		1
70	1517511	Cover to adjustable backrest Alcantara black, red SB 36-38 long		1
71	1517512	Cover to adjustable backrest Alcantara black, red SB 40-42 long		1
72	1517513	Cover to adjustable backrest Alcantara black, red SB 44 long		1

Footrest standard



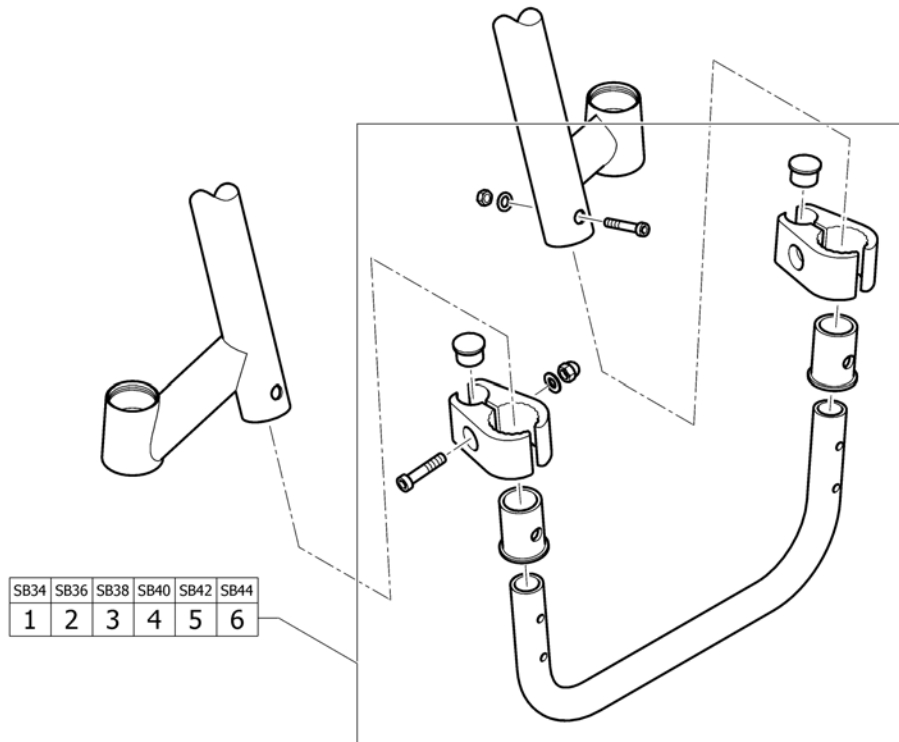
Pos.	Part number	Description	Valid from → until	Qty
1	1505353	Footrest 75° SB34 Alu		1
2	1505354	Footrest 75° SB36 Alu		1
3	1505355	Footrest 75° SB38 Alu		1
4	1505356	Footrest 75° SB40 Alu		1
5	1505357	Footrest 75° SB42 Alu		1
6	1505358	Footrest 75° SB44 Alu		1
7	1505365	Footrest 75° SB34 Titan		1
8	1505366	Footrest 75° SB36 Titan		1
9	1505367	Footrest 75° SB38 Titan		1
10	1505368	Footrest 75° SB40 Titan		1
11	1505369	Footrest 75° SB42 Titan		1
12	1505370	Footrest 75° SB44 Titan		1
13	1505359	Footrest 90° SB34 Alu		1
14	1505360	Footrest 90° SB36 Alu		1
15	1505361	Footrest 90° SB38 Alu		1
16	1505362	Footrest 90° SB40 Alu		1
17	1505363	Footrest 90° SB42 Alu		1
18	1505364	Footrest 90° SB44 Alu		1
19	1505371	Footrest 90° SB34 Titan		1
20	1505372	Footrest 90° SB36 Titan		1
21	1505373	Footrest 90° SB38 Titan		1
22	1505374	Footrest 90° SB40 Titan		1
23	1505375	Footrest 90° SB42 Titan		1
24	1505376	Footrest 90° SB44 Titan		1
25	1451716	Footplate sleeve Alu		1
26	1451717	Footplate sleeve Titanium		1

Footrest angle adjustable

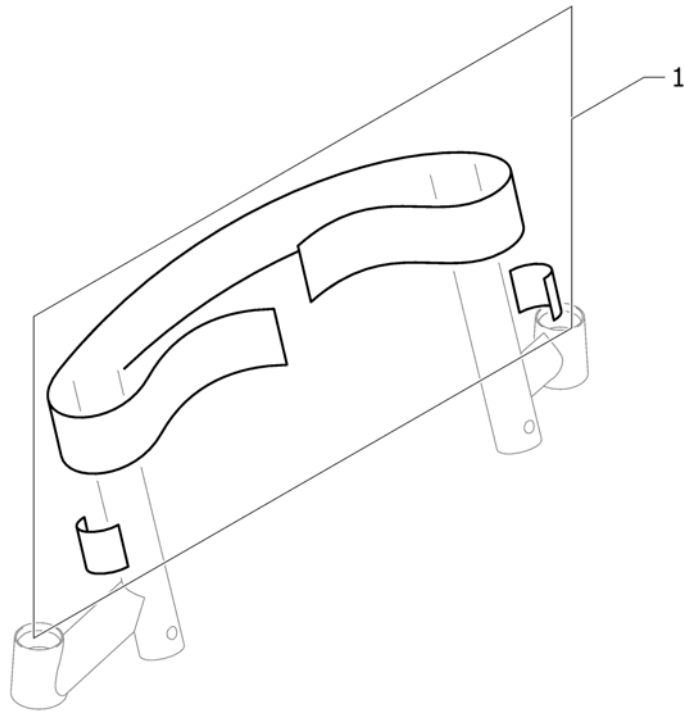


Pos.	Part number	Description	Valid from → until	Qty
1	1505377	Footrest, angle adjustable SB34		1
2	1505378	Footrest, angle adjustable SB36		1
3	1505379	Footrest, angle adjustable SB38		1
4	1505380	Footrest, angle adjustable SB40		1
5	1505381	Footrest, angle adjustable SB42		1
6	1505382	Footrest, angle adjustable SB44		1
7	1451716	Footplate sleeve Alu		1

Footrest mounted in high position

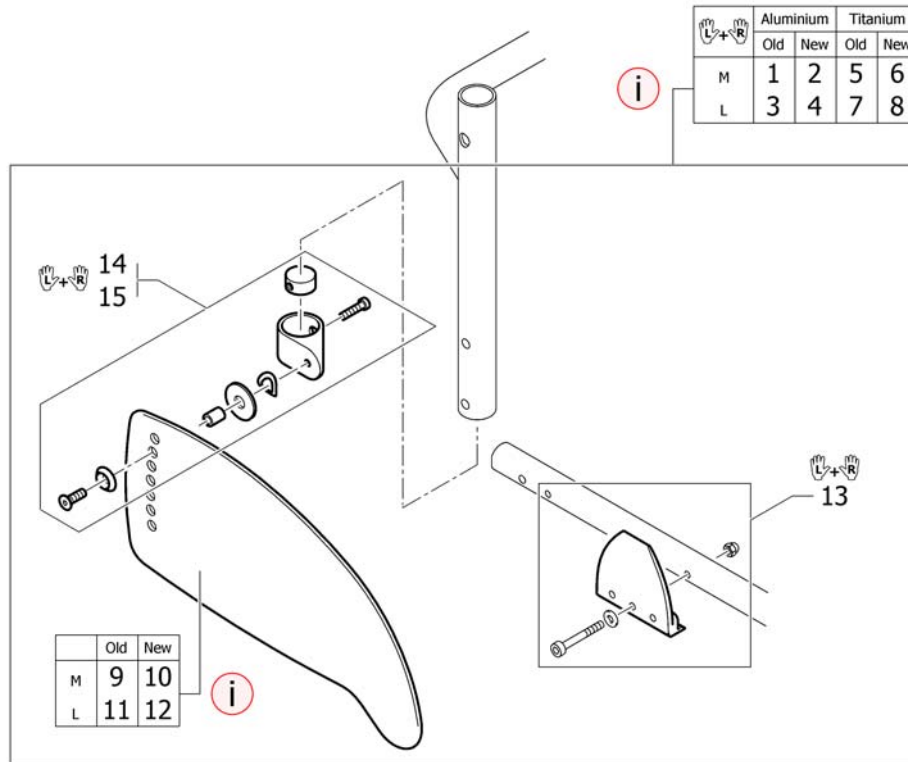


Pos.	Part number	Description	Valid from → until	Qty
1	1505383	Tube set for footrest, mounted in high position, SB34		1
2	1505384	Tube set for footrest, mounted in high position, SB36		1
3	1505385	Tube set for footrest, mounted in high position, SB38		1
4	1505386	Tube set for footrest, mounted in high position, SB40		1
5	1505387	Tube set for footrest, mounted in high position, SB42		1
6	1505388	Tube set for footrest, mounted in high position, SB44		1

Calf strap

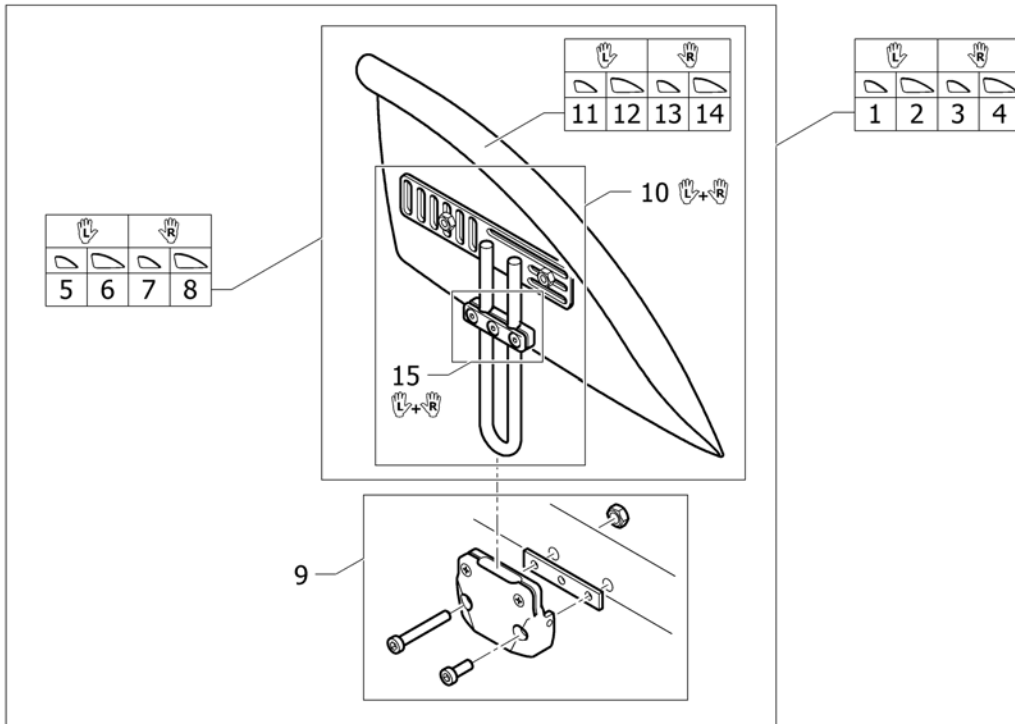
Pos.	Part number	Description	Valid from → until	Qty
1	1517817	Calfstrap black <i>Replaces 709.1008</i>		1

Clothes-guards



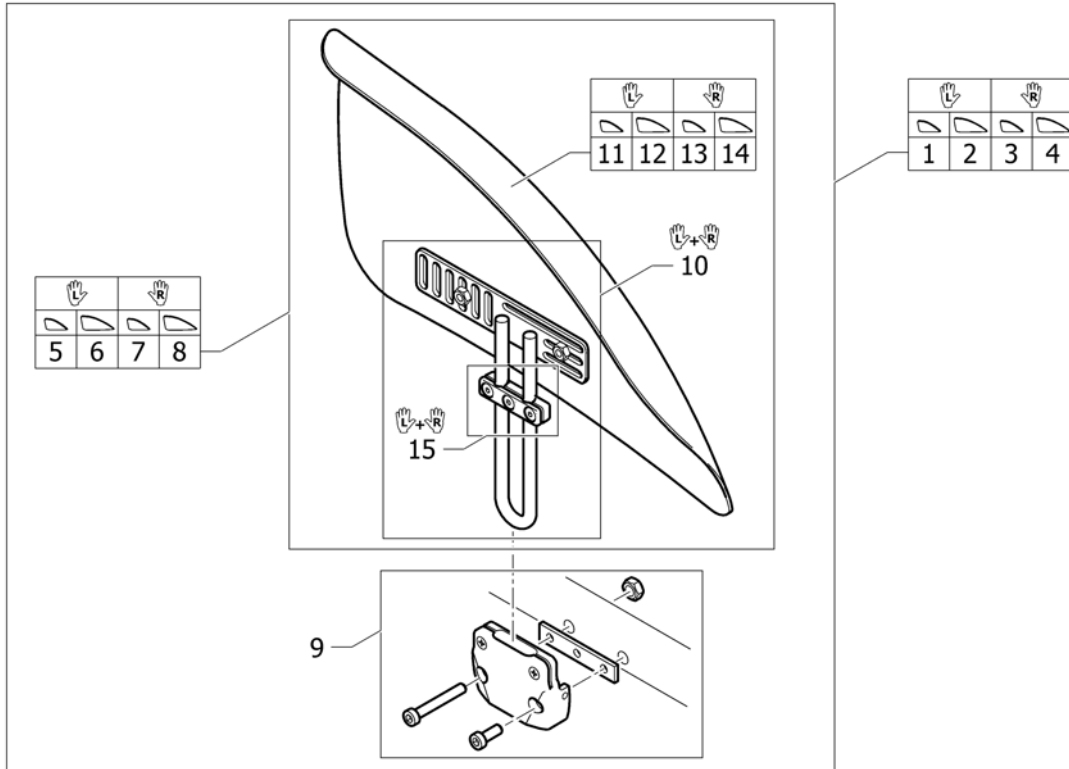
Pos.	Part number	Description	Valid from → until	Qty
i	SPLINFOC1-010	New design with improved profile ensures better coverage. Recommended as a pair.		0
1	1517833	Clothes-guards Carbon M with fixation kit to backrest Aluminium, pair	20070101 → 20090228	1
2	1527104	Clothes-guards Carbon M with fixation kit to backrest Aluminium, pair	20090301 →	1
3	1517834	Clothes-guards Carbon L with fixation kit to backrest Aluminium, pair	20070101 → 20081210	1
4	1527105	Clothes-guards Carbon L with fixation kit to backrest Aluminium, pair	20081211 →	1
5	1517831	Clothes-guards Carbon M with fixation kit to backrest Titan, pair	20070101 → 20090228	1
6	1527102	Clothes-guards Carbon M with fixation kit to backrest Titan, pair	20090301 →	1
7	1517832	Clothes-guards Carbon L with fixation kit to backrest Titan, pair	20070101 → 20081210	1
8	1527103	Clothes-guards Carbon L with fixation kit to backrest Titan, pair	20081211 →	1
9	1451719	Clothes-guard Carbon M	20070101 → 20090228	2
10	1527100	Clothes-guard Carbon M	20090301 →	2
11	1451720	Clothes-guard Carbon L	20070101 → 20081210	2
12	1527101	Clothes-guard Carbon L	20081211 →	2
13	1505389	Fixation kit clothes-guard to frame		1
14	1451722	Fixation kit clothes-guard to backrest Aluminium		1
15	1505390	Fixation kit clothes-guard to backrest Titanium		1

Mudguards =>31.10.2008



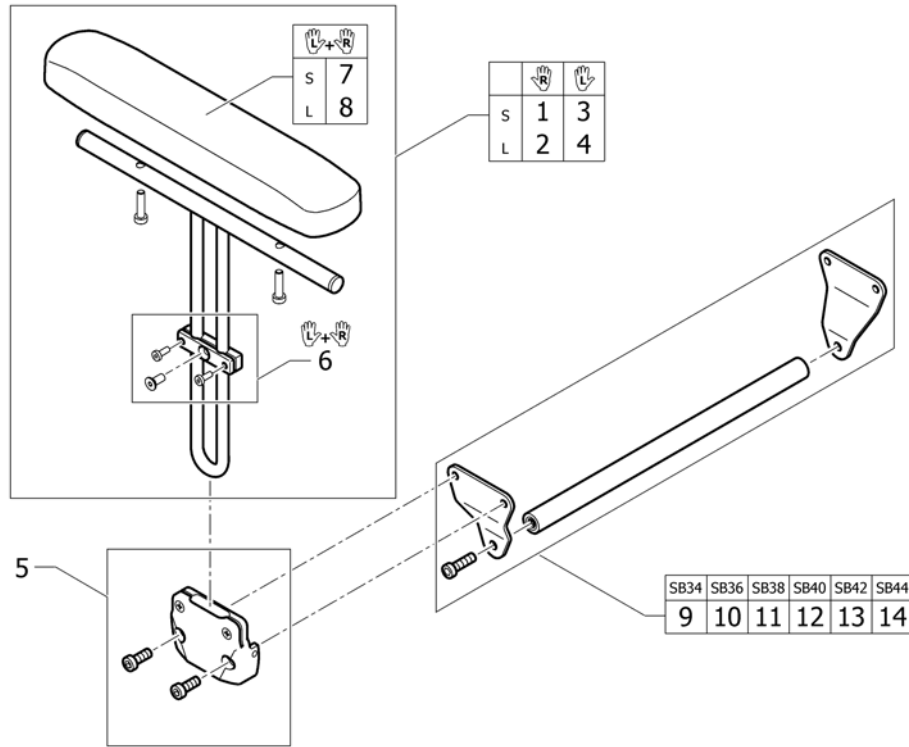
Pos.	Part number	Description	Valid from → until	Qty
1	1488460	Mudguard Carbon left M short complete	→ 20081031	1
2	1488461	Mudguard Carbon left L short complete	→ 20081031	1
3	1488462	Mudguard Carbon right M short complete	→ 20081031	1
4	1488463	Mudguard Carbon right L short complete	→ 20081031	1
5	1451723	Mudguard Carbon left M short	→ 20081031	1
6	1451724	Mudguard Carbon left L short	→ 20081031	1
7	1451725	Mudguard Carbon right M short	→ 20081031	1
8	1451726	Mudguard Carbon right L short	→ 20081031	1
9	1451727	Fixationset mudguard frame		1
10	1451728	Mudguard holder short, pair		1
11	1451749	Mudguard Carbon left M	→ 20081031	1
12	1451750	Mudguard Carbon left L	→ 20081031	1
13	1451751	Mudguard Carbon right M	→ 20081031	1
14	1451752	Mudguard Carbon right L	→ 20081031	1
15	1437465	Siderests fixation set, pair		1

Mudguards 01.11.2008=>



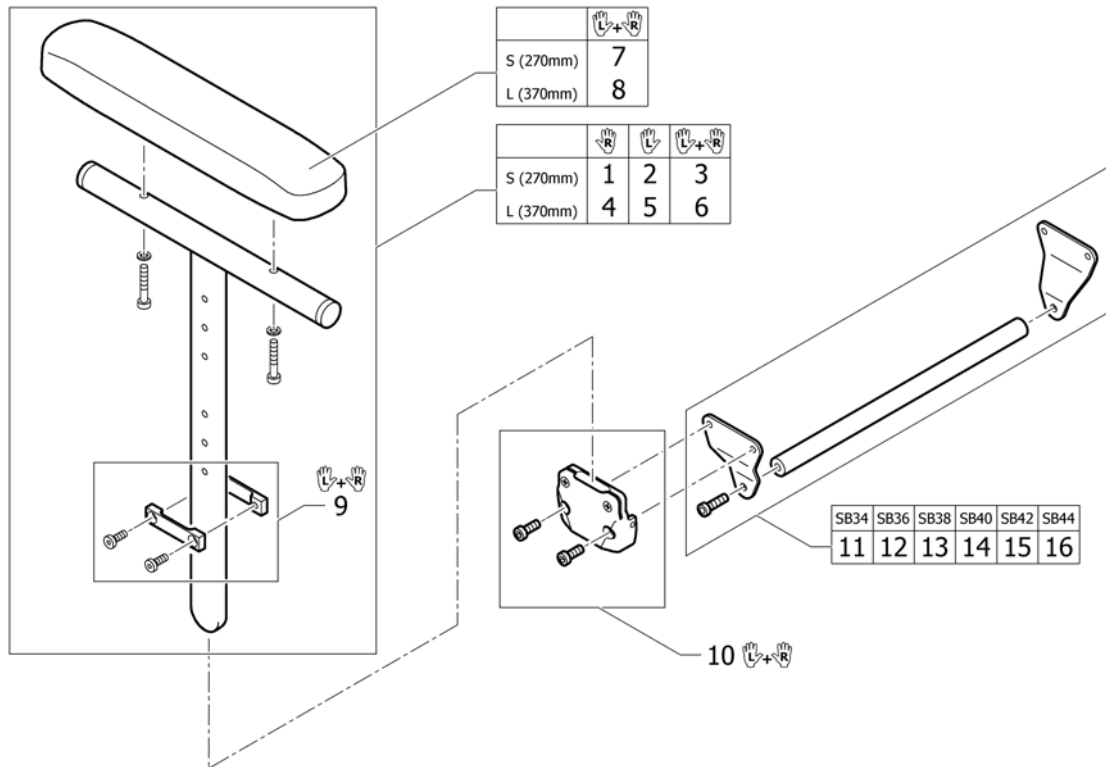
Pos.	Part number	Description	Valid from → until	Qty
1	1529308	Mudguard Carbon left M short complete	20081101 →	1
2	1529309	Mudguard Carbon left L short complete	20081101 →	1
3	1529310	Mudguard Carbon right M short complete	20081101 →	1
4	1529311	Mudguard Carbon right L short complete	20081101 →	1
5	1529300	Mudguard Carbon left M short	20081101 →	1
6	1529301	Mudguard Carbon left L short	20081101 →	1
7	1529302	Mudguard Carbon right M short	20081101 →	1
8	1529303	Mudguard Carbon right L short	20081101 →	1
9	1451727	Fixationset mudguard frame		1
10	1451728	Mudguard holder short, pair		1
11	1510275	Mudguard Carbon left M	20081101 →	1
12	1510277	Mudguard Carbon left L	20081101 →	1
13	1510276	Mudguard Carbon right M	20081101 →	1
14	1510278	Mudguard Carbon right L	20081101 →	1
15	1437465	Siderests fixation set, pair		1

Siderest height adjustable =>31.03.2008

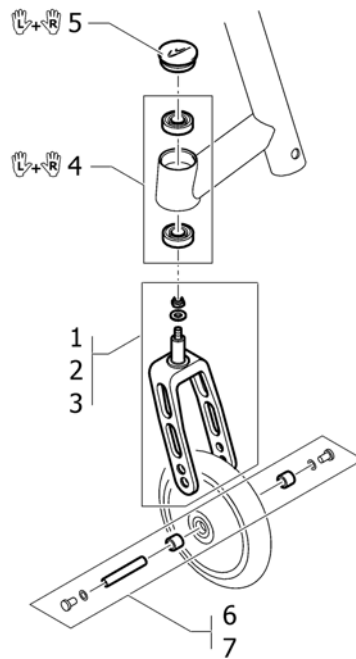


Pos.	Part number	Description	Valid from → until	Qty
1	1438150	Siderest height adjustable short right	→ 20080331	1
2	1438152	Siderest height adjustable long right	→ 20080331	1
3	1438151	Side rest height adjustable short left	→ 20080331	1
4	1438153	Siderest height adjustable long left	→ 20080331	1
5	1505391	Fixation Siderest-to-Frame, pair		1
6	1437465	Siderests fixation set, pair	→ 20080331	1
7	1439497	Ampad S (270mm) incl. screws, pair		1
8	1439498	Ampad L (370mm) incl. screws, pair		1
9	1505433	Bracket kit for siderest SB34		1
10	1505434	Bracket kit for siderest SB36		1
11	1505561	Bracket kit for siderest SB38		1
12	1505562	Bracket kit for siderest SB40		1
13	1505563	Bracket kit for siderest SB42		1
14	1505564	Bracket kit for siderest SB44		1

Siderest height adjustable 01.04.2008=>

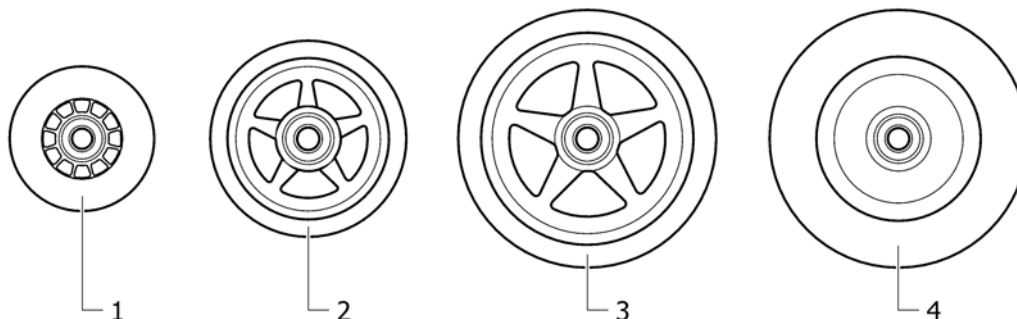


Pos.	Part number	Description	Valid from → until	Qty
1	1517677	Siderest height adjustable short, right	20080401 →	1
2	1517678	Siderest height adjustable short, left	20080401 →	1
3	1517682	Siderest height adjustable short, pair	20080401 →	1
4	1517679	Siderest height adjustable long, right	20080401 →	1
5	1517680	Siderest height adjustable long, left	20080401 →	1
6	1517683	Siderest height adjustable long, pair	20080401 →	1
7	1439497	Ampad S (270mm) incl. screws, pair		1
8	1439498	Ampad L (370mm) incl. screws, pair		1
9	1517681	Siderests height clamp kit, pair	20080401 →	1
10	1505391	Fixation Siderest-to-Frame, pair		1
11	1505433	Bracket kit for siderest SB34		1
12	1505434	Bracket kit for siderest SB36		1
13	1505561	Bracket kit for siderest SB38		1
14	1505562	Bracket kit for siderest SB40		1
15	1505563	Bracket kit for siderest SB42		1
16	1505564	Bracket kit for siderest SB44		1

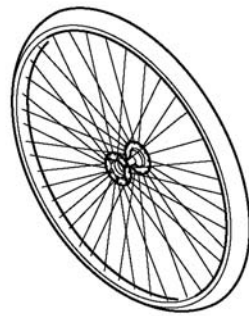


Pos.	Part number	Description	Valid from → until	Qty
1	1432004-0400	Front fork 5" with bolt, techno-anthrazit		2
1	1432004-0401	Front fork 5" with bolt, lemon		2
1	1432004-0404	Front fork 5" with bolt, b-blue		2
1	1432004-0440	Front fork 5" with bolt, comet red		2
1	1432004-0441	Front fork 5" with bolt, arctic blue		2
2	1432005-0400	Front fork 6" with bolt, techno-anthrazit		2
2	1432005-0401	Front fork 6" with bolt, lemon		2
2	1432005-0404	Front fork 6" with bolt, b-blue		2
2	1432005-0440	Front fork 6" with bolt, comet red		2
2	1432005-0441	Front fork 6" with bolt, arctic blue		2
3	1432006-0400	Front fork 8" with bolt, techno-anthrazit		2
3	1432006-0401	Front fork 8" with bolt, lemon		2
3	1432006-0404	Front fork 8" with bolt, b-blue		2
3	1432006-0440	Front fork 8" with bolt, comet red		2
3	1432006-0441	Front fork 8" with bolt, arctic blue		2
4	1451718	Bearing kit		1
5	1487961-0400	Bearing block cap pair, techno-anthrazit		1
5	1487961-0401	Bearing block cap pair, lemon		1
5	1487961-0404	Bearing block cap pair, b-blue		1
5	1487961-0440	Bearing block cap pair, comet red		1
5	1487961-0441	Bearing block cap pair, arctic blue		1
6	1420972	Axle set complete Starec/Skater wheel		2
7	1420975	Axle set complete 5" soft roll wheel		2

Front wheels



Pos.	Part number	Description	Valid from → until	Qty
1	1513180	3" Sports wheel, transparent <i>Replaces 732.1026</i>		2
2	1513183-0400	4" Starec wheel, techno-anthrazit <i>Replaces 1420968-0400</i>		2
2	1513183-0401	4" Starec wheel, lemon <i>Replaces 1420968-0401</i>		2
2	1513183-0404	4" Starec wheel, b-blue <i>Replaces 1420968-0404</i>		2
2	1513183-0408	4" Starec wheel, glossy black <i>Replaces 1420968-0408</i>		2
2	1513183-0440	4" Starec wheel, comet red <i>Replaces 1420968-0440</i>		2
2	1513183-0441	4" Starec wheel, arctic blue <i>Replaces 1420968-0441</i>		2
3	1513187-0400	5" Starec wheel, techno-anthrazit <i>Replaces 732.1032.950</i>		2
3	1513187-0401	5" Starec wheel, lemon <i>Replaces 732.1032.951</i>		2
3	1513187-0404	5" Starec wheel, b-blue <i>Replaces 732.1032.957</i>		2
3	1513187-0408	5" Starec wheel, black <i>Replaces 732.1032.961</i>		2
3	1513187-0440	5" Starec wheel, comet red <i>Replaces 732.1032-0440</i>		2
3	1513187-0441	5" Starec wheel, arctic blue <i>Replaces 732.1032-0441</i>		2
4	1513186	5" Soft roll wheel <i>Replaces 732.1011</i>		2

Küschall Starec wheels

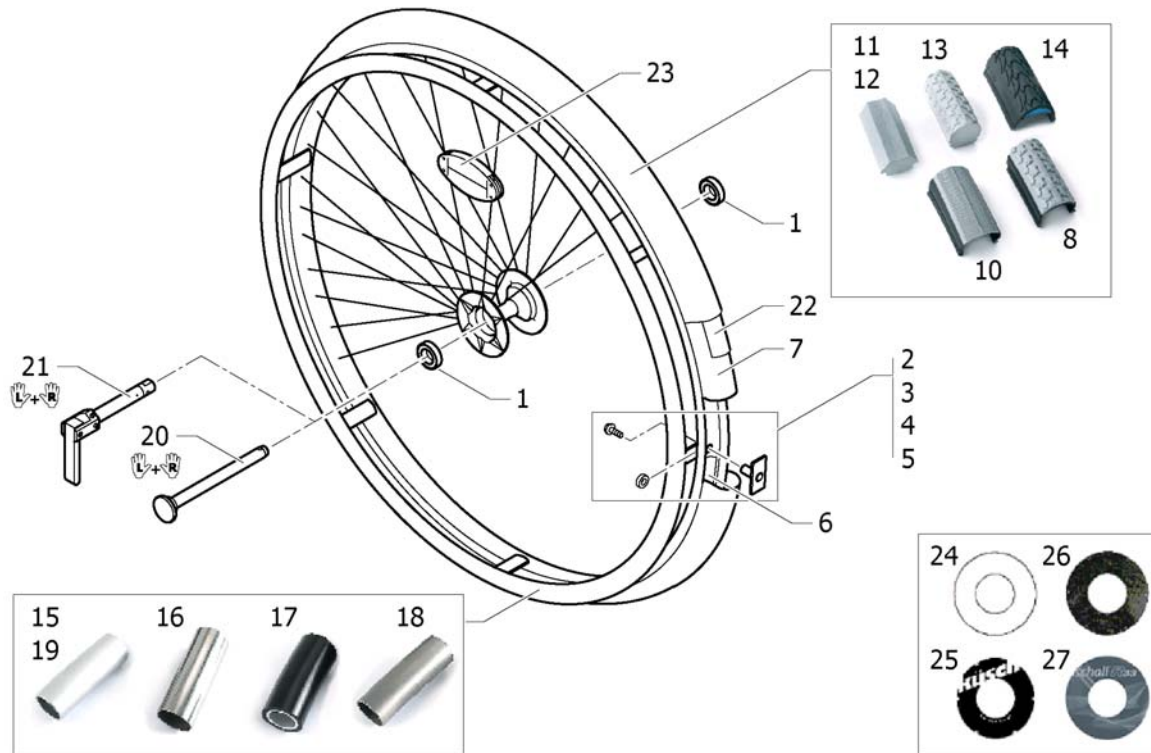
	∅ no tyre		
	1	2	3
	4	5	6



	∅ no tyre		
		8	9
		11	12

Pos.	Part number	Description	Valid from → until	Qty
1	904.1082	Rear wheel 24", Starec hub R, without handrim, without tyre		2
1	904.1082-0440	Rear wheel 24" Starec R, comet red, without handrim, without tyre		2
1	904.1082-0441	Rear wheel 24" Starec R, arctic blue, without handrim, without tyre		2
1	904.1082.950	Rear wheel 24" Starec R, tecno, without handrim, without tyre		2
1	904.1082.951	Rear wheel 24" Starec R, lemon, without handrim, without tyre		2
1	904.1082.957	Rear wheel 24" Starec R, b-blue, without handrim, without tyre		2
2	904.1161	Rear wheel 24", Starec hub R, without handrim, light wall		2
3	904.1160	Rear wheel 24", Starec hub R, without handrim, Tread		2
4	1416885	Rear wheel 24", Starec hub X, without handrim, without tyre		2
4	904.1132-0440	Rear wheel 24" Starec X Comet red without handrim, without tyre		2
4	904.1132-0441	Rear wheel 24" Starec X arctic blue without handrim, without tyre		2
4	904.1132.950	Rear wheel 24" Starec X Tecno without handrim, without tyre		2
4	904.1132.951	Rear wheel 24" Starec X Lemon without handrim, without tyre		2
4	904.1132.957	Rear wheel 24" Starec X B-blue without handrim, without tyre		2
5	1416886	Rear wheel 24", Starec hub X, without handrim, light wall		2
6	904.1141	Rear wheel 24", Starec hub X, without handrim, Tread		2
8	904.1152	Rear wheel 24", Starec hub R, handrim, light wall		2
9	904.1151	Rear wheel 24", Starec hub R, handrim, Tread		2
11	1416884	Rear wheel 24", Starec hub X, handrim, light wall		2
12	904.1125	Rear wheel 24", Starec hub X, handrim, Tread		2

Küschall wheel accessories

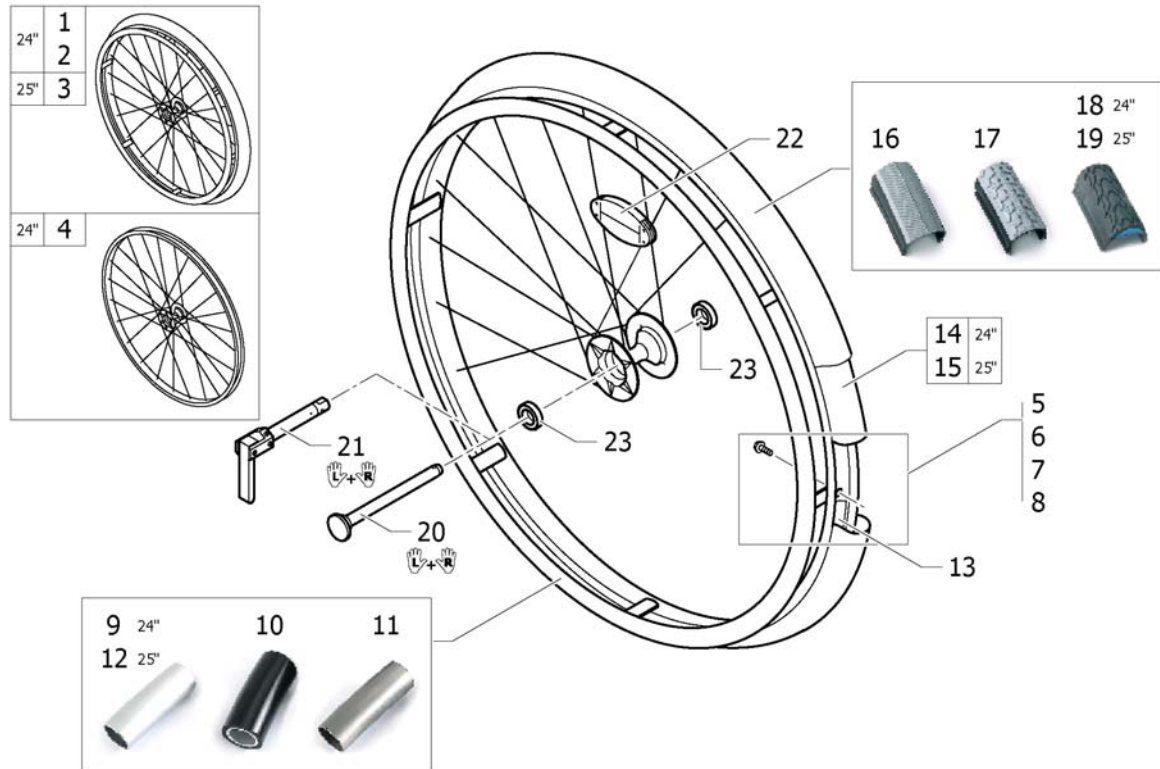


Pos.	Part number	Description	Valid from → until	Qty
1	270.1003	R8-2RS 1/2"/1.1/8"x5/16"		4
2	1495958	Fixation kit handrim, 3 cm		2
3	1495959	Fixation kit handrim, 4 cm		2
4	1495960	Fixation kit handrim, 3 cm with spokes guard		2
5	1495961	Fixation kit handrim, 4 cm with spokes guard		2
6	726.1008.000	Rim protection 24" Large		2
7	727.1002	Inner Tube 24" x 1"		2
8	728.1002	Treaded Tyre 24"		2
9	729.1001	Indoor sports tyre 24" / 10 bar		2
10	1424749	Tyre Light wall 24"		2
11	728.1015	KIK-Type 24", black, fail-safe		2
12	728.1023	KIK-Type 24", grey, fail-safe		2
13	728.1029	Solid tyre 24", profile		2
14	1438521	Tyre 24" Marathon Evolution		2
15	1432286-0005	Handrim 24" colourless anod. V2003		2
16	457.1009	Handrim 24" steel polished		2
17	457.1017.429	Handrim 24" Super-Grip		2
18	457.1051	Handrim 24" Titanium		2
19	1432287-0005	Handrim 24" colourless anod. light V2003		2
20	1509137-0400	Quick release axles long with cap, pair, tecno anthracite		1
20	1509137-0401	Quick release axles long with cap, pair, lemon		1
20	1509137-0404	Quick release axles long with cap, pair, b-blue		1
20	1509137-0407	Quick release axles long with cap, pair, colourless		1
20	1509137-0440	Quick release axles long with cap, pair, comet red		1
20	1509137-0441	Quick release axles long with cap, pair, arctic blue		1
21	1493755	Tetra clip with quick release axle, pair, long		1
22	1424917	Rear wheel inset anti-flat for 20,22,24,26" tyre		2
23	220.1033	Spokereflection		2
24	736.1004	Spokes guard Transparent 24"		2
25	736.1002	Spokes guard Küschall, black 24"		2
26	736.1014	Spokes guard Carbon 24"		2

Küschall wheel accessories

Pos.	Part number	Description	Valid from → until	Qty
27	1497107	Spokes guard R33 24"		2

High Performance wheel

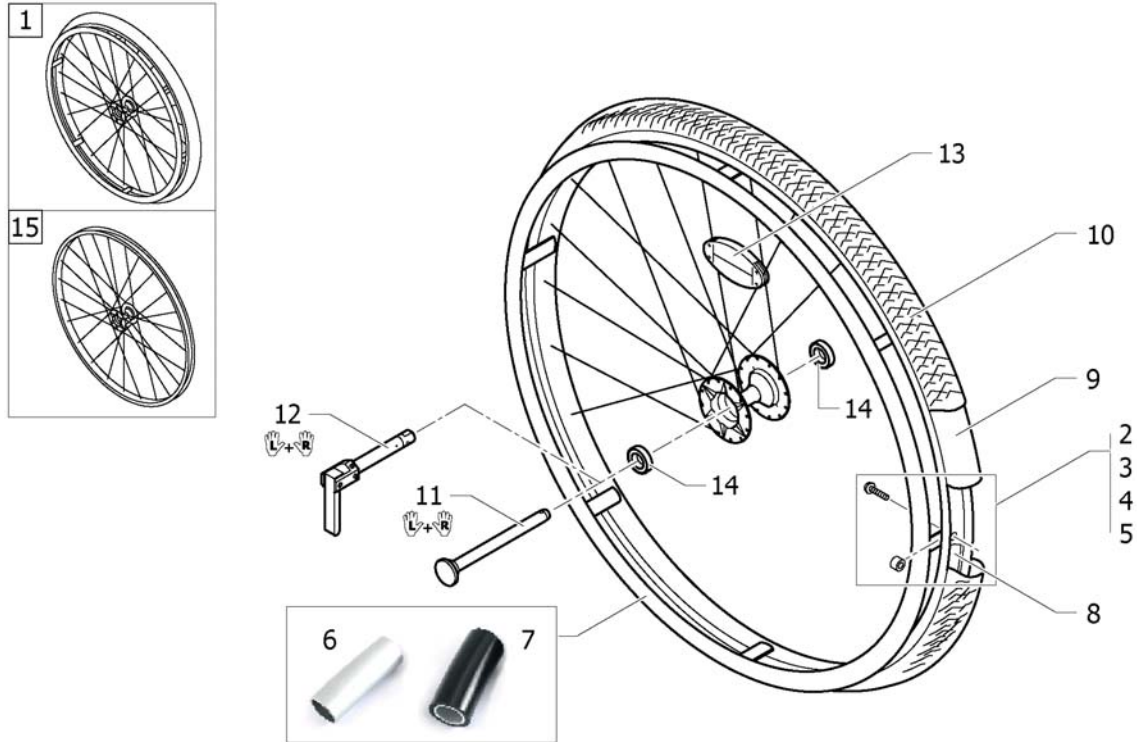


Pos.	Part number	Description	Valid from → until	Qty
1	1420958	Wheel 24", High Performance, colourless, handrim alu, tyre light wall		2
1	1420958-0400	Wheel 24", High Performance, techno-anthracite, handrim alu, tyre light		2
1	1420958-0401	Wheel 24", High Performance, lemon, handrim alu, tyre light wall		2
1	1420958-0404	Wheel 24", High Performance, b-blue, handrim alu, tyre light wall		2
1	1420958-0440	Wheel 24", High Performance, comet red, handrim alu, tyre light wall		2
1	1420958-0441	Wheel 24", High Performance, arctic blue, handrim alu, tyre light wall		2
2	1527046	Wheel 24", High Performance, colourless, handrim alu, tyre Marathon Evolution		2
2	1527046-0400	Wheel 24", High Performance, techno-anthracite, handrim alu, tyre Marathon Evolution		2
2	1527046-0401	Wheel 24", High Performance, lemon, handrim alu, tyre Marathon Evolution		2
2	1527046-0404	Wheel 24", High Performance, b-blue, handrim alu, tyre Marathon Evolution		2
2	1527046-0440	Wheel 24", High Performance, comet red, handrim alu, tyre Marathon Evolution		2
2	1527046-0441	Wheel 24", High Performance, arctic blue, handrim alu, tyre Marathon Evolution		2
3	1445479	Wheel 25", High Performance, colourless, handrim alu, tyre Marathon Evolution		2
3	1445479-0400	Wheel 25", High Performance, techno-anthracite, handrim alu, tyre Marathon Evolution		2
3	1445479-0401	Wheel 25", High Performance, lemon, handrim alu, tyre Marathon Evolution		2
3	1445479-0404	Wheel 25", High Performance, b-blue, handrim alu, tyre Marathon Evolution		2
3	1445479-0440	Wheel 25", High Performance, comet red, handrim alu, tyre Marathon Evolution		2
3	1445479-0441	Wheel 25", High Performance, arctic blue, handrim alu, tyre Marathon Evolution		2
4	1517723-0407	Wheel 24", High Performance, colourless, without handrim, without tyre		2
4	1517723-0400	Wheel 24", High Performance, techno-anthracite, without handrim, without tyre		2
4	1517723-0401	Wheel 24", High Performance, lemon, without handrim, without tyre		2

High Performance wheel

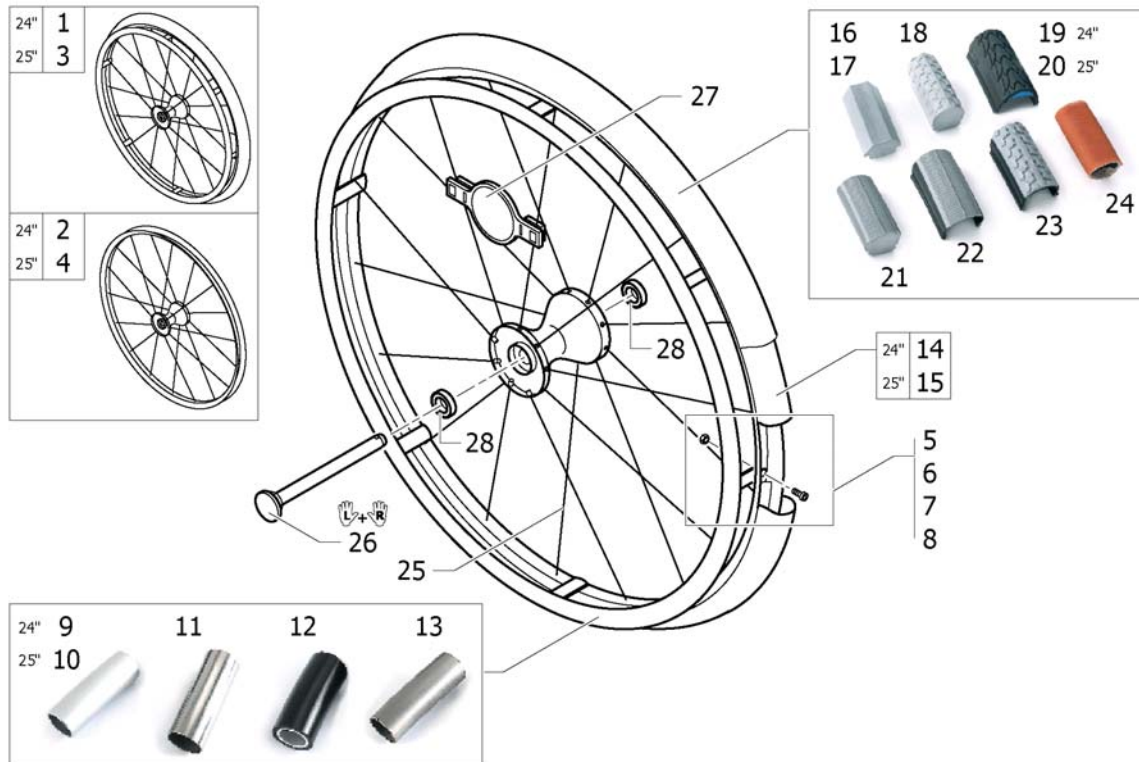
Pos.	Part number	Description	Valid from → until	Qty
4	1517723-0404	Wheel 24", High Performance, b-blue, without handrim, without tyre		2
4	1517723-0440	Wheel 24", High Performance, comet red, without handrim, without tyre		2
4	1517723-0441	Wheel 24", High Performance, arctic blue, without handrim, without tyre		2
5	1496019	Fixation kit handrim for High Performance wheel, 3 cm		2
6	1496020	Fixation kit handrim for High Performance wheel, 4 cm		2
7	1497110	Fixation kit handrim for High Performance wheel, 3 cm with spokes guard		2
8	1497111	Fixation kit handrim for High Performance wheel, 4 cm with spokes guard		2
9	1432287-0005	Handrim 24" colourless anod. light V2003		2
10	457.1017.429	Handrim 24" Super-Grip		2
11	457.1051	Handrim 24" Titanium		2
12	1420890-0005	Handrim 26" aluminium light for high performance		2
13	1495962	Rim Protection for High Performance / Spinergy wheel		2
14	727.1002	Inner Tube 24" x 1"		2
15	1430886	Inner tube 26" for High-Performance wheel		2
16	1424749	Tyre Light wall 24"		2
17	728.1002	Treaded Tyre 24"		2
18	1438521	Tyre 24" Marathon Evolution		2
19	1493769	Tyre 25" Marathon Evolution		2
20	1509137-0400	Quick release axles long with cap, pair, tecno anthracite		1
20	1509137-0401	Quick release axles long with cap, pair, lemon		1
20	1509137-0404	Quick release axles long with cap, pair, b-blue		1
20	1509137-0407	Quick release axles long with cap, pair, colourless		1
20	1509137-0440	Quick release axles long with cap, pair, comet red		1
20	1509137-0441	Quick release axles long with cap, pair, arctic blue		1
21	1493755	Tetra clip with quick release axle, pair, long		1
22	220.1033	Spokereflection		2
23	270.1003	R8-2RS 1/2"/1.1/8"x5/16"		4

Mountain bike wheel



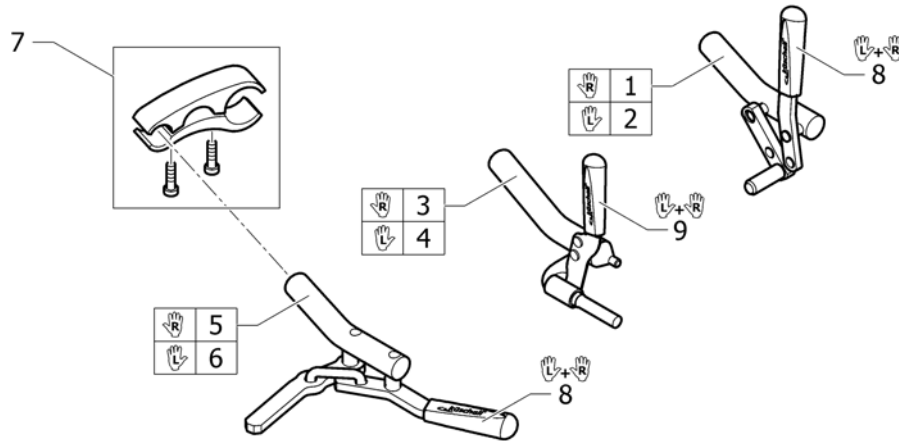
Pos.	Part number	Description	Valid from → until	Qty
1	1517875	Rear wheel 24", Mountain Bike, handrim alu, tyre MTB <i>Replaces 1420959</i>		2
2	1496015	Fixation kit handrim for Mountain bike wheel, 3 cm		2
3	1496016	Fixation kit handrim for Mountain bike wheel, 4 cm		2
4	1496017	Fixation kit handrim for Mountain bike wheel, 3 cm with spokes guard		2
5	1496018	Fixation kit handrim for Mountain bike wheel, 4 cm with spokes guard		2
6	457.1023	Handrim 22" Alu		2
7	457.1045.429	Handrim 22" Super-Grip		2
8	1420881	Rim protection for Mountain bike		2
9	1420884	Inner tube for Mountain bike		2
10	1420887	Tyre Mountain bike, 24"		2
11	1509137-0407	Quick release axles long with cap, pair, colourless		1
12	1493755	Tetra clip with quick release axle, pair, long		1
13	220.1033	Spokereflection		2
14	270.1003	R8-2RS 1/2"/1.1/8"x5/16"		4
15	1529327	Rear wheel Mountain Bike 24", without handrim, without tyre <i>Replaces 1439420</i>		2

Spinergy wheel



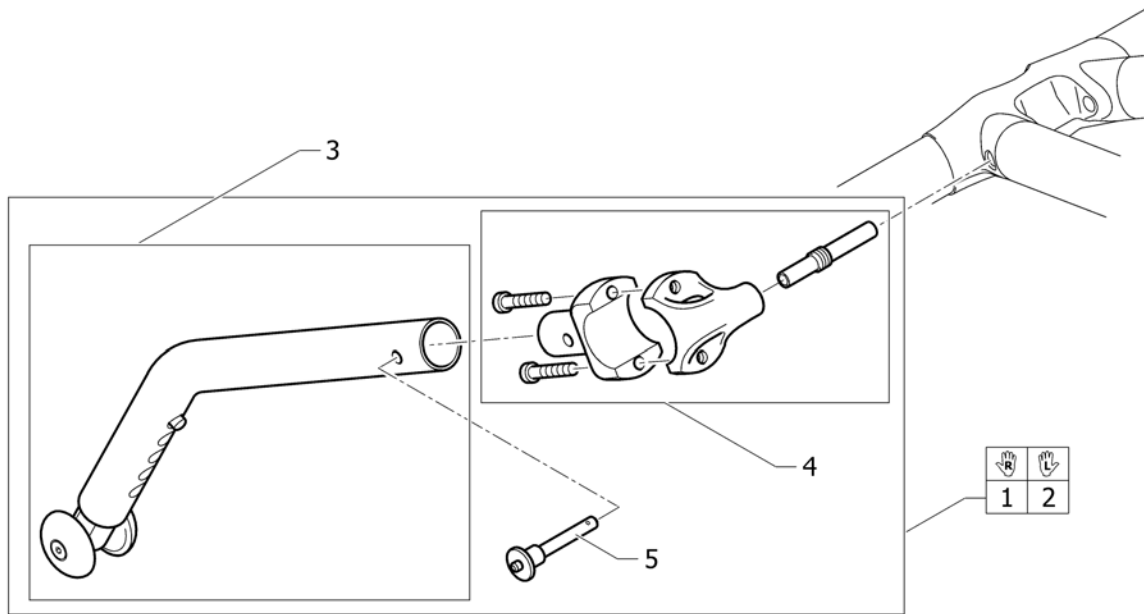
Pos.	Part number	Description	Valid from → until	Qty
1	1485805	Rear wheel 24", Spinergy, handrim Alu, tyre light wall		2
2	1438747	Rear wheel 24", Spinergy, without handrim, without tyre		2
3	1525127	Rear wheel 25", Spinergy, handrim Alu, tyre Marathon Evolution		2
4	1525128	Rear wheel 25", Spinergy, without handrim, without tyre		2
5	1495967	Fixation kit handrim for Spinergy wheel, 3 cm		2
6	1495968	Fixation kit handrim for Spinergy wheel, 4 cm		2
7	1495969	Fixation kit handrim for Spinergy wheel, 3 cm with spokes guard		2
8	1495970	Fixation kit handrim for Spinergy wheel, 4 cm with spokes guard		2
9	1432287-0005	Handrim 24" colourless anod. light V2003		2
10	1420890-0005	Handrim 26" aluminium light for high performance		2
11	457.1009	Handrim 24" steel polished		2
12	457.1017.429	Handrim 24" Super-Grip		2
13	457.1051	Handrim 24" Titanium		2
14	727.1002	Inner Tube 24" x 1"		2
15	1430886	Inner tube 26" for High-Performance wheel		2
16	728.1015	KIK-Type 24", black, fail-safe		2
17	728.1023	KIK-Type 24", grey, fail-safe		2
18	728.1029	Solid tyre 24", profile		2
19	1438521	Tyre 24" Marathon Evolution		2
20	1493769	Tyre 25" Marathon Evolution		2
21	728.1032	Solid tyre 24", light, grey		2
22	1424749	Tyre Light wall 24"		2
23	728.1002	Treaded Tyre 24"		2
24	729.1001	Indoor sports tyre 24" / 10 bar		2
25	1493648	Spoke for Spinergy wheel 24"		36
26	1507627	Quickrelease axle long with cap for Spinergy wheel, pair		1
27	1451931	Spoke reflection for Spinergy wheel		2
28	270.1003	R8-2RS 1/2"/1.1/8"x5/16"		4

Brakes



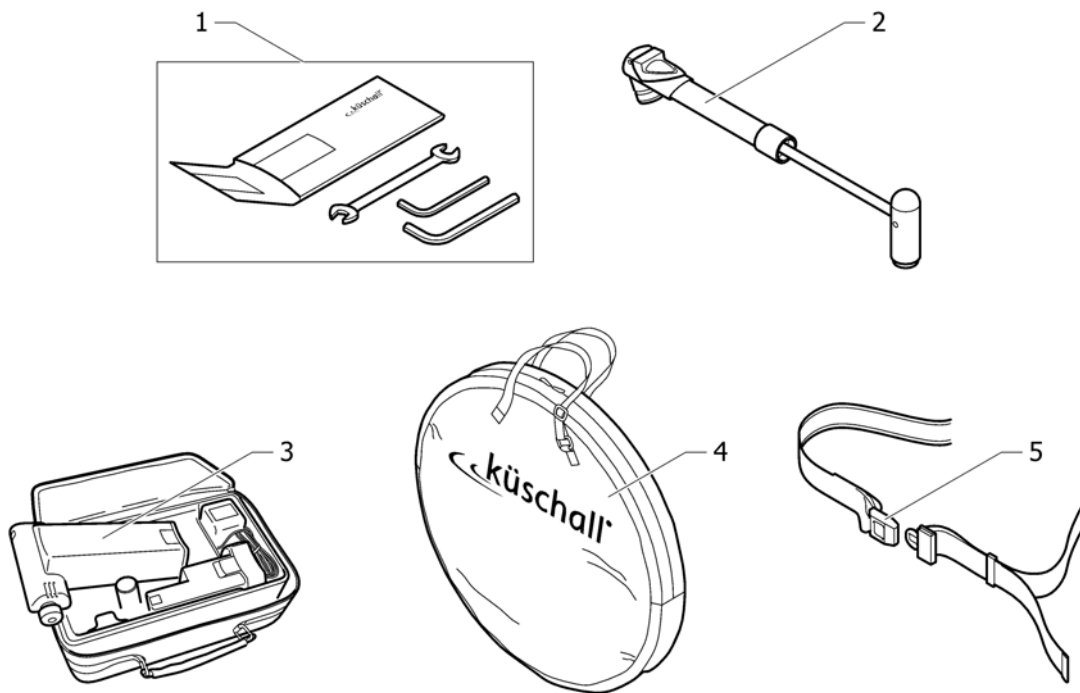
Pos.	Part number	Description	Valid from → until	Qty
1	1495431	Brake, bent lever, right		1
2	1495430	Brake, bent lever, left		1
3	1495433	Performance brake right		1
4	1495432	Performance brake left		1
5	1495435	Active brake right		1
6	1495434	Active brake left		1
7	1505568	brake clamping piece complete		2
8	1513177	Brake handle standard, pair <i>Replaces 1432056</i>		1
9	1513178	Brake handle for performance brake, pair <i>Replaces 1432055</i>		1

Antitipper



Pos.	Part number	Description	Valid from → until	Qty
1	1505565	Antitipper right complete		1
2	1505566	Antitipper left complete		1
3	1495443	Antitipper R33		1
4	1505567	Fixation kit antitipper		1
5	1517877	Quickpin fixture <i>Replaces 907.1125</i>		1

Chair accessories



Pos.	Part number	Description	Valid from → until	Qty
1	1518285	Tool Kit <i>Replaces 800.1013</i>		1
2	1517924	Air pump <i>Replaces 801.1004</i>		1
3	1518286	Air man <i>Replaces 801.1006.000</i>		1
4	1518287	Wheel bag 24" - 26" <i>Replaces 1420922</i>		1
5	1518288	Seat belt		1



Yes, you can.®



Belgium & Luxemburg:

Invacare nv, Autobaan 22, B-8210 Loppem
Tel: (32) (0)50 83 10 10, Fax: (32) (0)50 83 10 11
belgium@invacare.com

Danmark:

Invacare A/S, Sdr. Ringvej 37, DK-2605 Brøndby
Tel: (45) (0)36 90 00 00, Fax: (45) (0)36 90 00 01
denmark@invacare.com

Deutschland:

Invacare Aquatec GmbH, Alemannenstraße 10, D-88316 Isny
Tel: (49) (0)75 62 7 00 0, Fax: (49) (0)75 62 7 00 66
info@invacare-aquatec.com

European Distributor Organisation:

Invacare, Kleiststraße 49, D-32457 Porta Westfalica
Tel: (49) (0)57 31 754 540, Fax: (49) (0)57 31 754 541
edo@invacare.com

España:

Invacare SA, c/Areny s/n, Polígon Industrial de Celrà, E-17460 Celrà (Girona)
Tel: (34) (0)972 49 32 00, Fax: (34) (0)972 49 32 20
contactsp@invacare.com

France:

Invacare Poirier SAS, Route de St Roch, F-37230 Fondettes
Tel: (33) (0)2 47 62 64 66, Fax: (33) (0)2 47 42 12 24
contactfr@invacare.com

Ireland:

Invacare Ireland Ltd, Unit 5 Seatown Business Campus, Seatown Road, Swords, County Dublin - Ireland
Tel: (353) 1 810 7084, Fax: (353) 1 810 7085
ireland@invacare.com

Italia:

Invacare Mecc San s.r.l., Via dei Pini 62, I-36016 Thiene (VI)
Tel: (39) 0445 38 00 59, Fax: (39) 0445 38 00 34
italia@invacare.com

Nederland:

Invacare BV, Celsiusstraat 46, NL-6716 BZ Ede
Tel: (31) (0)318 695 757, Fax: (31) (0)318 695 758
nederland@invacare.com, csede@invacare.com

Norge:

Invacare AS, Grensesvingen 9, Postboks 6230, Etterstad, N-0603 Oslo
Tel: (47) (0)22 57 95 00, Fax: (47) (0)22 57 95 01
norway@invacare.com, island@invacare.com

Österreich:

Mobitec Mobilitätshilfen GmbH, Herzog Odilostrasse 101, A-5310 Mondsee
Tel: (43) 6232 5535 0, Fax: (43) 6232 5535 4
office@mobitec-austria.com, austria@invacare.com

Portugal:

Invacare Lda, Rua Senhora de Campanhã 105, P-4369-001 Porto
Tel: (351) (0)225 1059 46147, Fax: (351) (0)225 1057 39
portugal@invacare.com

Sverige & Suomi:

Invacare AB, Fagerstagatan 9, S-163 91 Spånga
Tel: (46) (0)8 761 70 90, Fax: (46) (0)8 761 81 08
sweden@invacare.com, finland@invacare.com

Switzerland:

Mobitec Rehab AG, Benkenstrasse 260, CH-4108 Witterswil
Tel: (41) (0)61 487 70 80, Fax: (41) (0)61 487 70 81
office@mobitec-rehab.ch, switzerland@invacare.com

United Kingdom:

Invacare Ltd, South Road, Bridgend Industrial Estate, UK-Bridgend CF31 3PY
Tel: (44) (0)1656 664 321, Fax: (44) (0)1656 667 532
UK@invacare.com