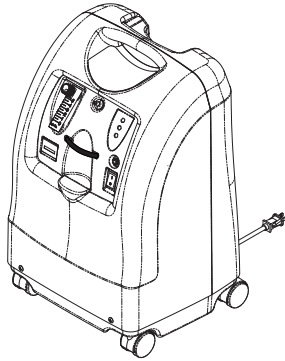


Operator's Manual

Perfecto₂[™] Series

Oxygen Concentrators without SensO₂[®],
Oxygen Concentrators with SensO₂[®],
HomeFill[®] Compatible



Model IRC5PO2AW
Model IRC5PO2VAW

Model IRC5PAW

English.....	1
French.....	33
Italian.....	65
German.....	99
Polish.....	133
Czech.....	168

Dealer: This manual MUST be given to the end user.

User: BEFORE using this product, read this manual and save for future reference.



**For more information regarding
Invacare products, parts, and services,
please visit www.invacare.com**



Yes, you can.®

WARNING

DO NOT use this product or any available optional equipment without first completely reading and understanding these instructions and any additional instructional material such as owner's manuals, service manuals or instruction sheets supplied with this product or optional equipment. If you are unable to understand the warnings, cautions or instructions, contact a healthcare professional, dealer or technical personnel before attempting to use this equipment - otherwise, injury or damage may occur.

ACCESSORIES WARNING

Invacare products are specifically designed and manufactured for use in conjunction with Invacare accessories. Accessories designed by other manufacturers have not been tested by Invacare and are not recommended for use with Invacare products.

ACCESSORIES

There are many different types of humidifiers, oxygen tubing, cannulas and masks that can be used with this device. You should contact your local home care provider for recommendations on which of these devices will be best for you. They should also give you advice on the proper usage, maintenance, and cleaning.

NOTE: Updated versions of this manual can be found at www.invacare.com.

TABLE OF CONTENTS

ACCESSORIES	2
SPECIAL NOTES	4
LABEL LOCATION	6
SECTION 1—GENERAL GUIDELINES	7
Operating Information	8
Radio Frequency Interference	8
SECTION 2—FEATURES	10
SECTION 3—HANDLING	11
Unpacking.....	11
Inspection	11
Storage	11
SECTION 4—TECHNICAL DESCRIPTION	12
SECTION 5—TYPICAL PRODUCT PARAMETERS .	13
SECTION 6—OPERATING INSTRUCTIONS	17
Introduction.....	17
Select a Location	17
Set Up	18
Flowrate.....	21
SensO ₂ Oxygen Purity Indicator - Model IRC5PO2AW & IRC5PO2VAW	22
Initial Startup of the Concentrator	22
Explanation of Indicator Lights - Model IRC5PAW	23
Elapsed Time Meter (Hour Meter)	23
SECTION 7—MAINTENANCE	24
Routine Maintenance.....	24
SECTION 8—TROUBLESHOOTING GUIDE	27
SECTION 9—OPTIONAL ACCESSORIES	29
RECYCLING INFORMATION	30
LIMITED WARRANTY	31

SPECIAL NOTES

Signal words are used in this manual and apply to hazards or unsafe practices which could result in personal injury or property damage. Refer to the following table for definitions of the signal words.

SIGNAL WORD	MEANING
DANGER	Danger indicates an imminently hazardous situation which, if not avoided, will result in death or serious injury.
WARNING	Warning indicates a potentially hazardous situation which, if not avoided, could result in death or serious injury.
CAUTION	Caution indicates a potentially hazardous situation which, if not avoided, may result in property damage or minor injury or both.

NOTICE

The information contained in this document is subject to change without notice.

DANGER

DO NOT SMOKE while using this device. Keep all matches, lit cigarettes or other sources of ignition out of the room in which this product is located and away from where oxygen is being delivered.

NO SMOKING signs should be prominently displayed. Textiles and other materials that normally would not burn are easily ignited and burn with great intensity in oxygen enriched air. Failure to observe this warning can result in severe fire, property damage and cause physical injury or death.

CAUTION

“Caution: Statutory law can restrict this device to sale by or on order of a physician, or any other practitioner licensed by the law of the governmental agency in which he/she practices to use or order the use of this device.”

Invacare recommends an alternate source of supplemental oxygen in the event of a power outage, alarm condition or mechanical failure. Consult your physician or equipment provider for the type of reserve system required.

This equipment is to be used as an oxygen supplement and is not considered life supporting or life sustaining.

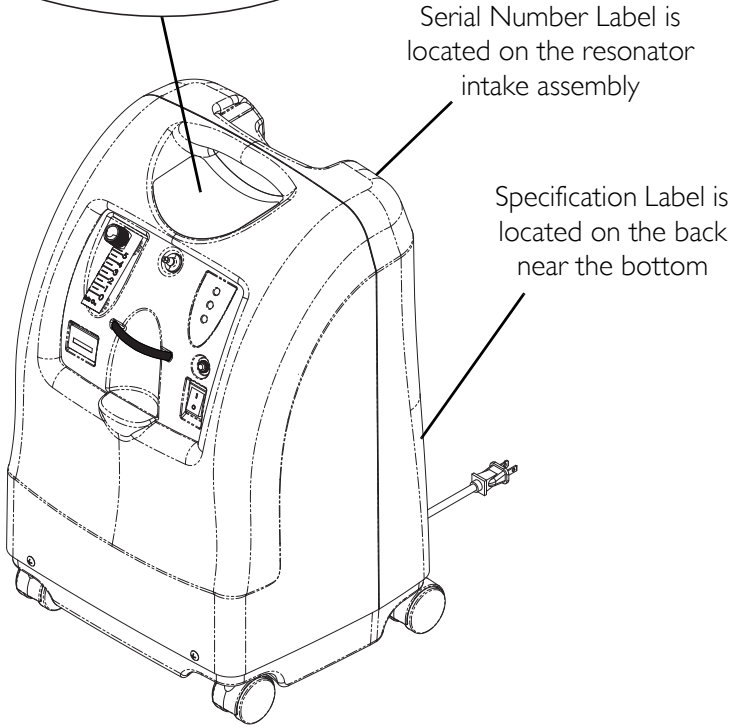


LABEL LOCATION

Perfecto₂[™]

FOR OPERATING INSTRUCTIONS or ALARMS (See Operator's Manual)

- ⚠ DANGER - RISK OF FIRE
NO SMOKING - Keep ALL sources of ignition out of the room in which this product is located and away from areas where oxygen is being delivered. Textiles, oil and other combustibles are easily ignited and burn with great intensity in oxygen enriched air.
- ⚠ DANGER - ELECTRIC SHOCK
DO NOT remove cover. Refer servicing to qualified service personnel.
- ⚠ Flowrates below 0.5 L/min will trigger Low Flow Alarm (rapid audible alarm).
- ⚠ Set Flowmeter at 2.5 L/min or less when filling HomeFill[®] cylinders.

HomeFill[®]
Compatible



SECTION I—GENERAL GUIDELINES

In order to ensure the safe installation, assembly and operation of the Perfecto₂ concentrator these instructions **MUST** be followed.

⚠ WARNING

This section contains important information for the safe operation and use of this product.

⚠ DANGER

Risk of electric shock. DO NOT disassemble. Refer servicing to qualified service personnel. No user serviceable parts.

TO REDUCE THE RISK OF BURNS, ELECTROCUTION, FIRE OR INJURY TO PERSONS.

Avoid using while bathing. If continuous usage is required by the physician's prescription, the concentrator **MUST be located in another room at least 2.5 m (7 ft) from the bath.**

DO NOT come in contact with the concentrator while wet.

DO NOT place or store product where it can drop into water or other liquid.

DO NOT reach for product that has fallen into water. Unplug IMMEDIATELY.

If the concentrator has a damaged cord or plug, if it is not working properly, if it has been dropped or damaged, or dropped into water, call qualified technician for examination and repair.

A spontaneous and violent ignition may occur if oil, grease or greasy substances come in contact with oxygen under pressure. These substances **MUST be kept away from the oxygen concentrator, tubing and connections, and all other oxygen equipment. **DO NOT** use any lubricants unless recommended by Invacare.**

Avoid creation of any spark near medical oxygen equipment. This includes sparks from static electricity created by any type of friction.

Operating Information

For optimum performance, Invacare recommends that each concentrator be on and running for a minimum of 30 minutes at a time. Shorter periods of operation may reduce maximum product life.

Keep the oxygen tubing, cord, and unit out from under such items as blankets, bed coverings, chair cushions, clothing and away from heated or hot surfaces, including space heaters, stoves and similar electrical appliances.

DO NOT move or relocate concentrator by pulling on the power cord.

NEVER drop or insert any object or liquid into any opening.

Invacare recommends that Crush-Proof oxygen tubing be used with this product and not exceed 15.2 m (50 ft) in length.

There are no user serviceable parts. This does not include normal maintenance items. See maintenance section for user maintenance items.

A product should NEVER be left unattended when plugged in. Make sure the Perfecto₂ is Off when not in use.

Close supervision is necessary when this product is used near children or physically-challenged individuals.

Additional monitoring or attention may be required for patients using this device who are unable to hear or see alarms or communicate discomfort.

DO NOT connect the concentrator in parallel or series with other oxygen concentrators or oxygen therapy devices.

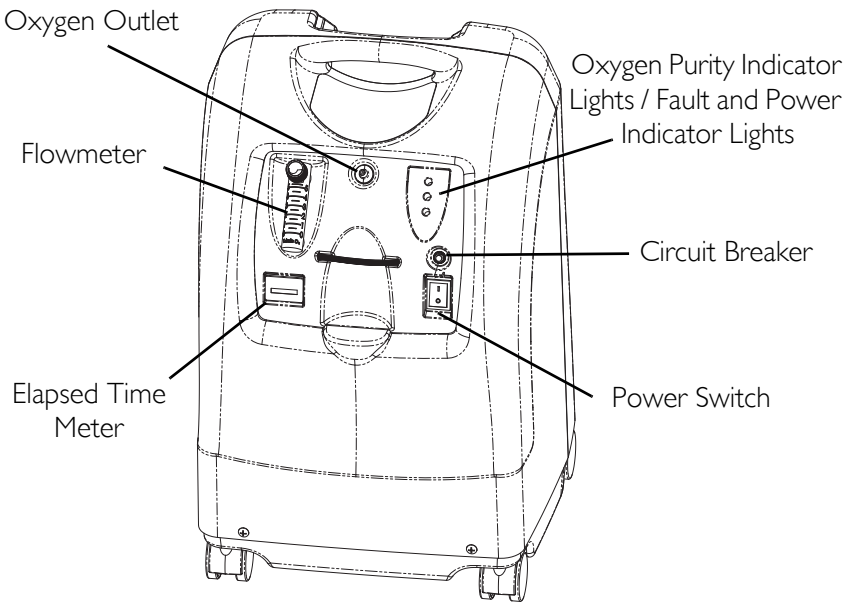
Radio Frequency Interference

This equipment has been tested and found to comply with EMC limits specified by IEC/EN 60601-1-2. These limits are designed to provide a reasonable protection against electromagnetic interference in a typical medical installation.

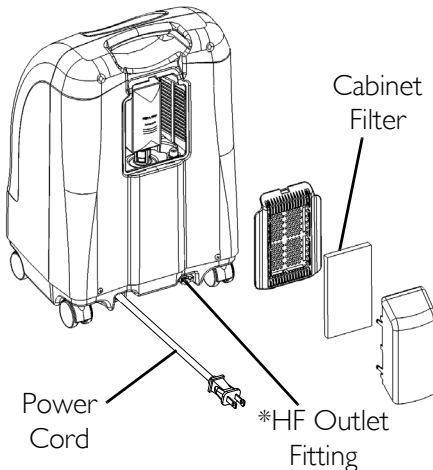
Other devices may experience interference from even the low levels of electromagnetic emissions permitted by the above standards. To determine if the emissions from the Perfecto₂ is causing the interference, turn the Perfecto₂ Off. If the interference with the other device(s) stops, then the Perfecto₂ is causing the interference. In such rare cases, interference may be reduced or corrected by one of the following measures:

- Reposition, relocate, or increase the separation between the equipment.
- Connect the equipment into an outlet on a circuit different from that to which the other device(s) is connected.

SECTION 2—FEATURES



REAR VIEW



**NOTE: This outlet fitting is to be used only for filling oxygen cylinders with the HomeFill home oxygen compressor. The outlet fitting does not affect concentrator performance. Refer to the HomeFill owner's manual, part number 1145804, for connection and operating instructions. When not in use, the plug provided with the concentrator should be inserted into the outlet fitting. For more information about the HomeFill, contact your Invacare dealer.*

SECTION 3—HANDLING

The concentrator should ALWAYS be kept in the upright position to prevent cabinet damage while being transported.

If the concentrator is to be reshipped by common carrier, additional cartons are available from Invacare.

Unpacking

NOTE: For this procedure, refer to FIGURE 3.1.

1. Check for any obvious damage to the carton or its contents. If damage is evident, notify the carrier, or your local dealer.
2. Remove all loose packing from the carton.
3. Carefully remove all the components from the carton.

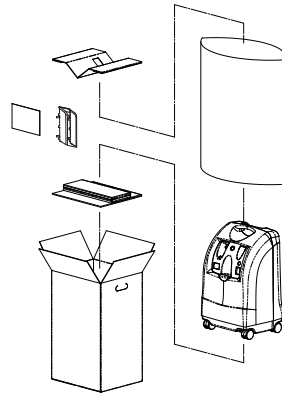


FIGURE 3.1 Unpacking

NOTE: Unless the oxygen concentrator is to be used IMMEDIATELY, leave concentrator in its packaging for storage until use of the concentrator is required.

Inspection

1. Inspect/examine exterior of the oxygen concentrator for nicks, dents, scratches or other damages. Inspect all components.

Storage

1. Store the repackaged oxygen concentrator in a dry area.
2. DO NOT place objects on top of repackaged concentrator.

SECTION 4—TECHNICAL DESCRIPTION

The Invacare Perfecto₂ concentrator is used by patients with respiratory disorders who require supplemental oxygen. The device is not intended to sustain or support life.

The oxygen concentration level of the output gas ranges from 87% to 95.6%. The oxygen is delivered to the patient through the use of a nasal cannula.








The Invacare Perfecto₂ concentrator uses a molecular sieve and pressure swing adsorption methodology to produce the oxygen gas output. Ambient air enters the device, is filtered and then compressed. This compressed air is then directed toward one of two nitrogen adsorbing sieve beds.

Concentrated oxygen exits the opposite end of the active sieve bed and is directed into an oxygen reservoir where it is delivered to the patient.

The Invacare Perfecto₂ concentrator is capable of operation by the patient in a home environment or in an institutional environment. Device operates at a nominal 230 VAC/50 Hertz supply.

Service information will be available upon request to qualified technical personnel only.

SECTION 5—TYPICAL PRODUCT PARAMETERS

	Alternating Current
	Type BF equipment
	Unit running
	Unit not running
	Attention - Consider Accompanying Documents
	DO NOT smoke
	Class II, Double Insulated
IPX1	Protected against dripping water
Electrical Requirements:	230 VAC \pm 10% (253 VAC/207 VAC), 50 Hz
Rated Current Input:	1.4 A
Sound Level:	39.5 dBA Average
Altitude:	<p>All Perfecto₂ Models: Up to 8,000 ft (2438 meters) above sea level without degradation of concentration levels. From 8,000 ft to 13,129 (4000 meters) below 90% efficiency.</p> <p>All Perfecto₂ Models while filling a HomeFill System: Up to 6,000 ft (1828 meters) above sea level without degradation of concentration levels. From 6,000 ft (1828 meters) to 13,129 ft (4000 meters) below 90% efficiency.</p>
Oxygen Output Concentration Levels:	<p>87% to 95.6% at 0.5 to 5 L/min 93% \pm 3% at 2 L/min</p> <p><i>NOTE: Stated concentration levels achieved after initial warm-up period (approximately 30 minutes)</i></p>
Maximum Outlet Pressure:	34.5 kPa \pm 3.45 kPa (5 psi \pm 0.5 psi)




SECTION 5—TYPICAL PRODUCT PARAMETERS

Flow Range:	0.5 to 5 L/min (maximum) For flowrates less than 1 L/min, we recommend the use of the Invacare Pediatric Flowmeter Accessory (IRCPF16AW)
Low Flow Alarm:	0 L/min to 0.5 L/min Rapid Audible Alarm Beeping (No Accessories Connected)
Average Power Consumption:	Perfecto ₂ AW - 300 W @ 5 L/min, 280 W @3 L/min Perfecto ₂ VAW - 320 W@ 5 L/min
Pressure Relief Mechanism Operational at:	241 kPa ± 24.1 kPa (35 psi ± 3.5 psi)
Change in maximum recommended flow when back pressure of 7kPa is applied:	0.7 L/min
Filters:	Cabinet, Outlet HEPA and Compressor Inlet
Safety System:	Current overload or line surge shutdown High temperature compressor shutdown High Pressure Alarm w/compressor shutdown Low Pressure Alarm w/compressor shutdown Battery Free Power Loss Alarm SensO ₂ Oxygen System (SensO ₂ Model) Low Flow Alarm
Width:	38.1 cm ± 1 cm (15 in ± 3/8 in)
Height:	58.4 cm ± 1 cm (23 in ± 3/8 in)
Depth:	30.5 cm ± 1 cm (12 in ± 3/8 in)
Weight:	Perfecto ₂ AW Models - 20.5 kg ± 1 kg (45 lbs ± 2 lbs) Perfecto ₂ VAW Models - 18.1 kg ± 1 kg (40 lbs ± 2 lbs)
Shipping Weight:	Perfecto ₂ AW Models - 22.7 kg ± 1 kg (50 lbs ± 2 lbs) Perfecto ₂ VAW Models - 20.4 kg ± 1 kg (45 lbs ± 2 lbs)
Operating Ambient Temperature:	10°C - 35°C (50°F - 95°F) at 20-60% relative humidity
Exhaust Cooling Air Temperature:	Less than Ambient +19°C (+ 35°F)
Oxygen Output Temperature:	Less than Ambient +3°C(+ 6°F)
Cabinet:	Impact Resistant flame-retardant plastic cabinet that conforms to UL 94-V0
No AP/APG	Not suitable for use in the presence of a flammable anaesthetic mixture



SECTION 5—TYPICAL PRODUCT PARAMETERS

Standards and Regulatory Listing:	<p>IRC5PO2AW/IRC5PAW/IRCPO2VAW: IEC/EN 60601-1, A1, A2 IEC/EN 60601-1-2 IEC/EN61000-3-2 IEC/EN61000-3-3</p> <p>IRC5PO2AW/IRC5PO2VAW Models Only: ISO8359 MDD 93/42/EEC, Annex I and IX</p>
CE marked model	IRC5PO2AW & IRC5PO2VAW
Electrical:	No extension cords
Placement:	<p>No closer than 7.5 cm (3 in) from any wall, furniture, draperies, or furniture to assure sufficient air flow</p> <p>Avoid deep pile carpets and heaters, radiators or hot air registers</p> <p>Floor location only</p> <p>No confined spaces (Example: No closets)</p>
Tubing:	2 m (7 ft) cannula with a maximum 15 m (50 ft) of Crush-Proof Tubing (DO NOT pinch)
Time of Operation:	Up to 24 hours per day
Recommended Storage and Shipping Temperature:	-29°C to 65°C (-20°F to 150°F) at 15-95% relative humidity.
Environment:	<p>Smoke and soot-free</p> <p>No confined spaces (Example: No closets)</p>
Minimum Operating Time:	30 Minutes

IRC5PO2AW & IRC5PO2VAW INDICATORS

LABEL SYMBOL	O ₂ PURITY	INDICATOR LIGHTS (LED)
	SYSTEM OKAY O ₂ over 85% (± 2%)	GREEN Indicator Light
	O ₂ Between 73% (± 3%) to 85% (±2%)	YELLOW Indicator light A. YELLOW Solid B. YELLOW Flashing Sensor Failure Call a qualified technician.
	SYSTEM FAILURE O ₂ Below 73% (±3%)	RED Indicator Light Continuous Audible Alarm Sieve-GARD Compressor Shutdown

IRC5PAW INDICATORS

LABEL SYMBOL	STATUS	INDICATOR LIGHTS (LED)
	SYSTEM OKAY	GREEN Indicator Light
	SYSTEM FAILURE	RED Indicator light Continuous Audible Alarm Sieve-GARD™ Compressor Shutdown Call a qualified technician.

SECTION 6—OPERATING INSTRUCTIONS

Introduction

Your oxygen concentrator is intended for individual use. It is an electronically operated device that separates oxygen from room air. It provides high concentration of oxygen directly to you through a nasal cannula. Clinical studies have documented that oxygen concentrators are therapeutically equivalent to other types of oxygen delivery systems.

Your provider will show you how to use your oxygen concentrator. He/She should be contacted with any questions or problems regarding your oxygen concentrator. This owner's manual will tell you about your concentrator and will serve as a reference as you use your concentrator.

Select a Location

WARNING

NEVER block the air openings of the product or place it on a soft surface, such as a bed or couch, where the air opening may be blocked. Keep the openings free from lint, hair and the like.

Keep unit at least 7.5 cm (3 in) away from walls, draperies, furniture, and the like.

You may select a room in your house where using your oxygen concentrator would be most convenient. Your concentrator can be easily rolled from room to room on its casters.

Your oxygen concentrator will perform best when operated under the conditions outlined in the TYPICAL PRODUCT PARAMETERS on page 13. Usage in environments other than those described may result in the need for increased equipment maintenance. The air intake of the unit should be located in a well ventilated area to avoid airborne pollutants and/or fumes. **DO NOT** use in a closet.

Set Up

1. Plug in power cord to an electrical outlet.
2. Connect Humidifier (If So Prescribed)

⚠ WARNING

DO NOT overfill humidifier.

DO NOT reverse the oxygen input and output connections. Water from the humidifier bottle will travel through the cannula back to the patient.

NOTE: For this procedure, refer to FIGURE 6.1, FIGURE 6.2 on page 19, FIGURE 6.3 on page 20.

1. Remove cap from bottle.
2. Fill humidifier with distilled water to the level indicated by the manufacturer. Replace the humidifier cap and securely tighten.

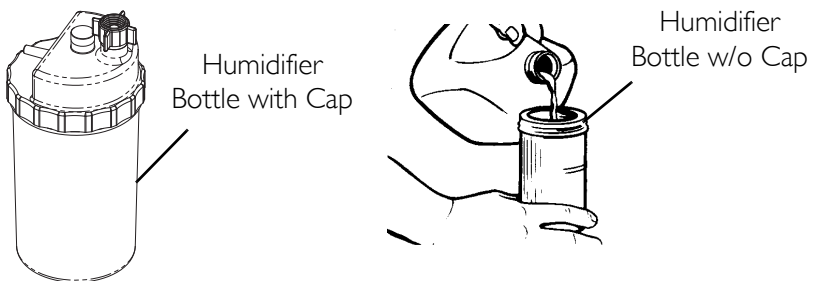


FIGURE 6.1 Filling the Humidifier

3. Insert a flathead screwdriver in the plate groove on the top edge of the filter access door and gently pry the filter access door off (FIGURE 6.2).
4. Pull up and remove the humidifier bottle adapter (FIGURE 6.2).
5. Replace the filter access door and install the air scoop onto the filter access door by inserting the six tabs on the air scoop into the six slots on the sides of the filter access door.

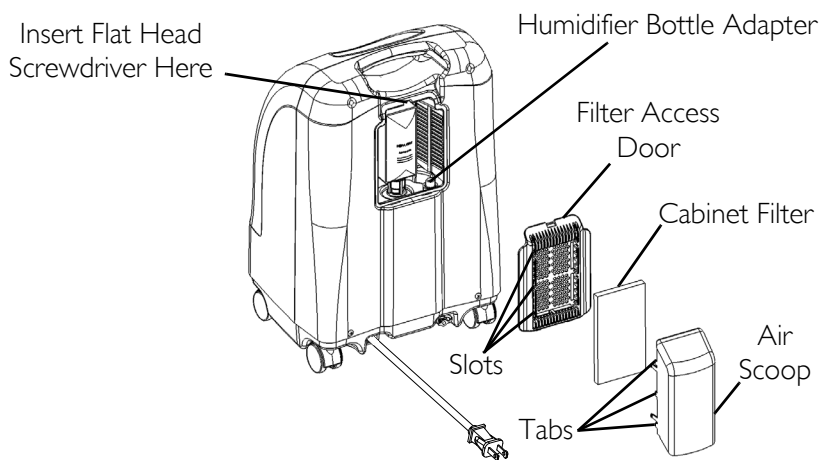


FIGURE 6.2 Humidifier Bottle Adapter

6. Attach the humidifier bottle adapter to the humidifier bottle by turning the wing nut on the humidifier bottle counterclockwise until it is securely fastened. See Detail "A" in FIGURE 6.3.
7. Place the humidifier bottle/adapter assembly in the humidifier compartment on the concentrator. See Detail "B" in FIGURE 6.3.
8. Attach oxygen tubing from the humidifier bottle/adapter assembly to oxygen outlet connector on the concentrator. See Detail "B" in FIGURE 6.3.
9. Attach the cannula/patient supply tubing to the humidifier bottle outlet. See Detail "B" in FIGURE 6.3.
10. After assembly, ensure that oxygen is flowing through the cannula.

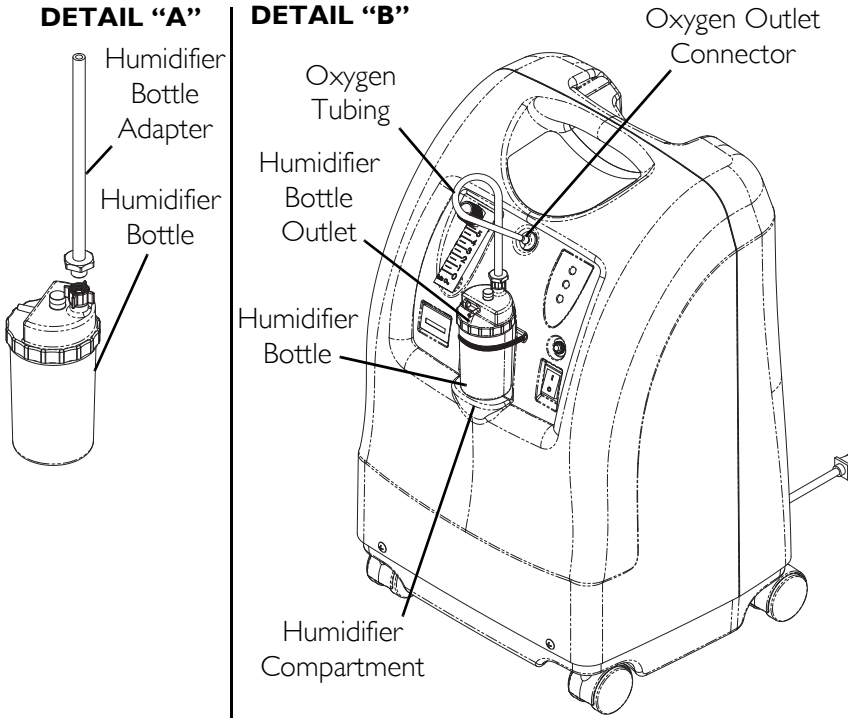


FIGURE 6.3 Humidifier Compartment

Power Switch

NOTE: For this procedure, refer to FIGURE 6.4.

1. Press power switch to On position. All the panel lights and the audible alarm will come on for one second, indicating that the unit is functioning properly.

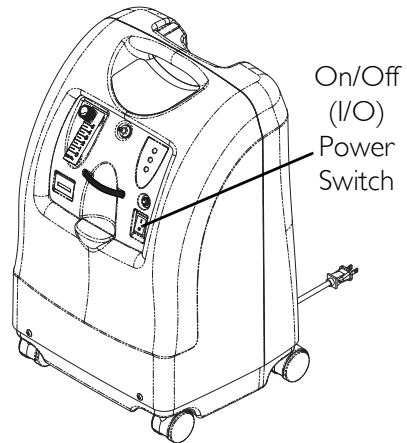


FIGURE 6.4 Power Switch

Flowrate

NOTE: For this procedure, refer to FIGURE 6.5.

NOTE: Take care not to set the flow above RED ring. An oxygen flow greater than 5 L/min will decrease the oxygen concentration.

1. Turn the flowrate knob to the setting prescribed by your physician or therapist.

⚠ WARNING

DO NOT change the L/min setting on the flowmeter unless a change has been prescribed by your physician or therapist.

NOTE: To properly read the flowmeter, locate the prescribed flowrate line on the flowmeter. Next, turn the flow knob until the ball rises to the line. Now, center the ball on the L/min line prescribed.

2. If the flowrate on the flowmeter ever falls below 0.5 L/min more than about one minute, the LOW FLOW alarm will be triggered. This is a rapid beeping of the audible alarm. Check your tubing or accessories for blocked or kinked tubing or a defective humidifier bottle. After rated flow is restored to more than 0.5 L/min, the LOW FLOW audible alarm will go off.

NOTE: The use of some accessories such as the pediatric flowstand and the HomeFill compressor will deactivate the Low Flow Alarm.

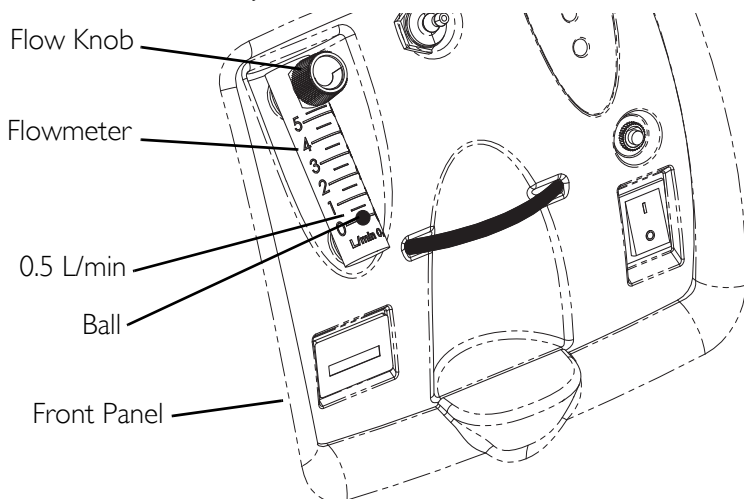


FIGURE 6.5 Flowrate

SensO₂ Oxygen Purity Indicator - Model IRC5PO2AW & IRC5PO2VAW

This feature monitors the purity of oxygen generated by the oxygen concentrator. If purity falls below factory preset standards, indicator lights on the control panel will illuminate.

Initial Startup of the Concentrator

NOTE: Concentrator may be used during the initial start warm-up time (approximately 30 min.) while waiting for the O₂ purity to reach maximum.

When the unit is turned on, the GREEN light will come on (SYSTEM OK/O₂ greater than 85%). After five minutes, the oxygen sensor will be operating normally and will control the indicator lights depending on oxygen concentration values.

Explanation of Oxygen Purity Indicator Lights - Model IRC5PO2AW & IRC5PO2VAW

NOTE: For this procedure, refer to FIGURE 6.6 on page 23.

GREEN light (O₂) - Normal Operation.

YELLOW light (⚠) - Immediately call supplier. You may continue to use the concentrator unless instructed otherwise by your supplier. Be certain that backup oxygen is nearby.

RED light (⚠) - Total unit shutdown. Immediately switch to backup oxygen supply and call supplier.

GREEN light - with YELLOW light flashing - Immediately call supplier. Oxygen sensor malfunctioning; you may continue to use the concentrator.

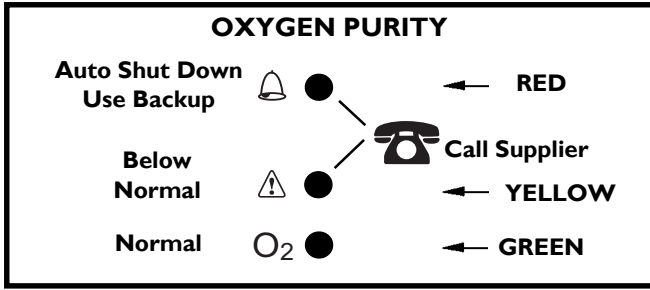


FIGURE 6.6 Explanation of Oxygen Purity Indicator Lights - Model IRC5PO2AW & IRC5PO2VAW

Explanation of Indicator Lights - Model IRC5PAW

NOTE: For this procedure, refer to FIGURE 6.7.

IRC5PAW Model Indicator Light Explanation

RED light () - Total Unit Shut-Down. Immediately switch to a back-up oxygen supply and call supplier.

GREEN light (I/O) - On/Off. System okay.

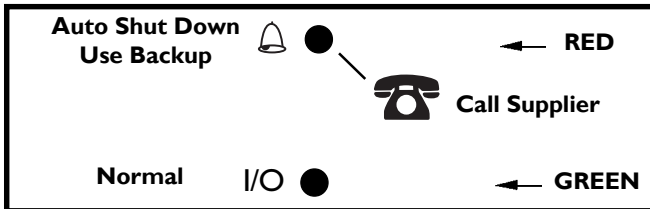


FIGURE 6.7 Explanation of Indicator Lights - Model IRC5PAW

Elapsed Time Meter (Hour Meter)

The hour meter displays the cumulative number of hours the unit has operated.

SECTION 7—MAINTENANCE

⚠ WARNING

The Invacare concentrators are specifically designed to minimize routine preventive maintenance. Only qualified personnel should perform preventive maintenance on the concentrator.

Unplug the concentrator when cleaning. To avoid electrical shock, DO NOT remove cabinet.

NOTE: At a minimum, preventive maintenance MUST be performed according to the maintenance record guidelines. In places with high dust or soot levels, maintenance may need to be performed more often. Refer to Preventive Maintenance Record on page 26.

Routine Maintenance

The following routine maintenance should be performed more frequently. See recommended intervals in each section and Preventive Maintenance Record on page 26.

Cleaning the Cabinet Filter

CAUTION

DO NOT operate the concentrator without the filter installed.

NOTE: For this procedure, refer to FIGURE 7.1 on page 25.

NOTE: There is one cabinet filter located on the back of the cabinet.

1. Inspect the filter every month. Remove the filter and clean as needed.

NOTE: Environmental conditions that may require more frequent inspection and cleaning of the filter include, but are not limited to: high dust, air pollutants, etc.

2. Clean the cabinet filter with a vacuum cleaner or wash in warm soapy water and rinse thoroughly.
3. Dry the filter thoroughly before reinstallation.

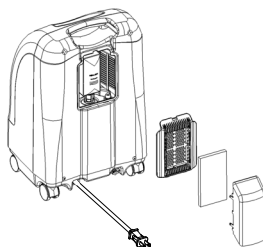
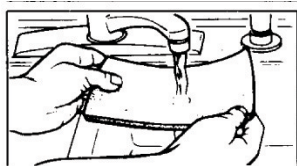


FIGURE 7.1 Cleaning the Cabinet Filter

Cleaning the Cabinet

1. Clean the cabinet with a mild household cleaner and non-abrasive cloth or sponge.

Cleaning the Humidifier

NOTE: To clean the oxygen humidifier, follow the instructions provided by the manufacturer. If none are provided, follow these STEPS:

1. Clean the humidifier every day.
2. Wash it in soapy water and rinse it with a solution of ten parts water and one part vinegar.
3. Rinse thoroughly with hot water and refill with distilled water to the level shown on the humidifier.

MODEL NO. IRC _____ SERIAL NO. _____



PREVENTIVE MAINTENANCE RECORD

ON EACH INSPECTION	Yes, you can:											
Record Date of Service												
Record Elapsed Hours On Hour Meter												
Clean Cabinet Filter(s)												
Check Prescribed L/min. Flow Rate												
EVERY 4,380 HOURS												
Check Oxygen Concentration (UNITS WITHOUT SensO ₂)												
EVERY 26,280 HOURS OR 3 YEARS, WHICHEVER COMES FIRST												
Check Oxygen Concentration (UNITS WITH SensO ₂)												
DURING PREVENTIVE MAINTENANCE SCHEDULE, OR BETWEEN PATIENTS												
Clean/Replace Cabinet Filter(s)												
Check Outlet HEPA Filter*												
Check Compressor Inlet Filter*												
Check Power Loss Alarm												
AS REQUIRED												
Clean Heat Exchanger												
Replace Exhaust Muffler												
Rebuild Top End of Compressor												

*NOTE: Refer to Preventive Maintenance section of Service Manual.

NOTE:

4,380 hours are equivalent to usage 24 hours per day, 7 days per week, for 6 months.
26,280 hours are equivalent to usage 24 hours per day, 7 days per week, for 3 years.

FIGURE 7.2 Preventive Maintenance Record

SECTION 8—TROUBLESHOOTING GUIDE

SYMPTOM:	PROBABLE CAUSE:	SOLUTION:
<p>Alarm:</p> <p>Short beeps, long pause</p> <p>Concentrator not operating, power switch On</p> <p>Beep.....Beep.....</p>	<p>Main Power Loss:</p> <p>1. Power cord not plugged in.</p> <p>2. No power at outlet.</p> <p>3. Tripped circuit breaker.</p>	<p>1. Insert plug into outlet.</p> <p>2. Inspect house circuit breakers or fuses. If problem recurs, use a different outlet.</p> <p>3. Push/reset circuit breaker. If problem recurs, call Service Provider.</p>
<p>Alarm:</p> <p>Continuous</p> <p>Concentrator not operating, Power Switch On</p> <p>Beeeeeeep....</p>	<p>System Failure:</p> <p>1. Unit overheating due to blocked air intake.</p> <p>2. Insufficient power at outlet.</p> <p>3. Internal repairs required.</p>	<p>1a. Remove and clean cabinet filters.</p> <p>1b. Move oxygen concentrator at least three inches away from walls, draperies or furniture.</p> <p>2. DO NOT use extension cords. Move to another electrical outlet or circuit.</p> <p>3. Call Service Provider.</p>

SECTION 8—TROUBLESHOOTING GUIDE

SYMPTOM:	PROBABLE CAUSE:	SOLUTION:
<p>YELLOW or RED light illuminated</p> <p>Alarm: Continuous On RED light only</p> <p>* Only applies to IRC5PO2AW & IRC5PO2VAW models</p>	<ol style="list-style-type: none"> 1. Low oxygen purity.* 2. Kinked or blocked tubing, cannula or humidifier.* 3. Flowmeter set at 0.5 L/min*. 4. Unit overheating due to blocked air intake. 5. Insufficient power at outlet. 6. Internal repairs required. 	<ol style="list-style-type: none"> 1. Clean or Replace filters. 2. Inspect for kinks or blockages. Correct, clean or replace item. Once corrected, turn power Off for 60 seconds and then turn power back On. 3. Check flowmeter is set to 1.0 L/min or more. Refer to <u>TYPICAL PRODUCT PARAMETERS</u> on page 13. 4a. Remove and clean cabinet filters. 4b. Move concentrator at least three inches from walls, draperies, and furniture. 5. DO NOT use extension cords. Move to another electrical outlet or circuit. 6. Call Service Provider.
<p>GREEN light with YELLOW Light Flashing</p>	<ol style="list-style-type: none"> 1. Internal repairs required. 	<ol style="list-style-type: none"> 1. Call Service Provider.
<p>Alarm: Rapid</p> <p>Beep....Beep... Beep...Beep</p>	<p>LOW FLOW ALARM</p> <ol style="list-style-type: none"> 1a. Kinked or blocked tubing, cannula or humidifier. 2. Flowmeter set at 0.5 L/min. 	<ol style="list-style-type: none"> 1a. Inspect for kinks or blockages. Correct, clean or replace item. Once corrected, turn power Off for 60 seconds and then turn power back ON. 2. Flowrates less than 1 L/min are not recommend.

SECTION 9—OPTIONAL ACCESSORIES

The following optional accessories are also available:

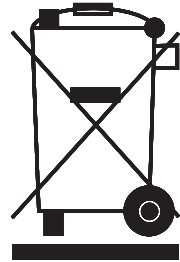
- Standard Adult Nasal Cannula, 2.1 m (7 feet)- M3120
- Standard Humidifier - M5120
- PreciseRX™ Pediatric Humidifier/Flowmeter
Accessory - IRCPF16AW
- HomeFill home oxygen compressor - IOH200AW

RECYCLING INFORMATION

This product has been supplied from an environmentally aware manufacturer that complies with the Waste Electrical and Electronic Equipment (WEEE) Directive 2002/96/CE.

This product may contain substances that could be harmful to the environment if disposed of in places (landfills) that are not appropriate according to legislation.

The 'crossed out wheelie bin' symbol is placed on this product to encourage you to recycle wherever possible.



Please be environmentally responsible and recycle this product through your recycling facility at its end of life.

LIMITED WARRANTY

Belgium & Luxemburg:

Invacare nv, Autobaan 22, B-8210 Loppem
Tel: (32) (0) 50 83 10 10
Fax: (32) (0) 50 83 10 11
belgium@invacare.com

Danmark:

Invacare A/S, Sdr. Ringvej 37, DK-2605
Brøndby
Tel: (45) (0)36 90 00 00
Fax: (45) (0)36 90 00 01
denmark@invacare.com

Deutschland:

Invacare Aquatec GmbH,
Alemanenstraße 10, D-88316 Isny
Tel: (49) (0)75 62 7 00 0
Fax: (49) (0)75 62 7 00 66
info@invacare-aquatec.com

European Distributor Organisation:

Invacare, Kleiststraße 49, D-32457 Porta
Westfalica
Tel: (49) (0)57 31 754 540
Fax: (49) (0)57 31 754 541
edo@invacare.com

España:

Invacare SA, c/Areny s/n, Polígon
Industrial de Celrà, E-17460 Celrà (Girona)
Tel: (34) (0)972 49 32 00
Fax: (34) (0)972 49 32 20
contactsp@invacare.com

France:

Invacare Poirier SAS, Route de St Roch,
F-37230 Fondettes
Tel: (33) (0)2 47 62 64 66
Fax: (33) (0)2 47 42 12 24
contactfr@invacare.com

Switzerland:

Invacare AG,
Benkenstrasse 260, CH-4108 Witterswil
Tel: (41) (0)61 487 70 80
Fax: (41) (0)61 487 70 81
switzerland@invacare.com

Ireland:

Invacare Ireland Ltd, Unit 5 Seatown
Business Campus,
Seatown Road, Swords, County Dublin –
Ireland
Tel: (353) 1 810 7084
Fax: (353) 1 810 7085
ireland@invacare.com

Italia:

Invacare Mecc San s.r.l., Via dei Pini 62,
I-36016 Thiene (VI)
Tel: (39) 0445 38 00 59
Fax: (39) 0445 38 00 34
italia@invacare.com

Nederland:

Invacare BV, Celsiusstraat 46, NL-6716 BZ
Ede
Tel: (31) (0)318 695 757
Fax: (31) (0)318 695 758
nederland@invacare.com
csede@invacare.com

Norge:

Invacare AS, Grensesvingen 9, Postboks
6230, Etterstad, N-0603 Oslo
Tel: (47) (0)22 57 95 00
Fax: (47) (0)22 57 95 01
norway@invacare.com
island@invacare.com

Österreich:

Invacare Austria GmbH, Herzog
Odiolstrasse 101, A-5310 Mondsee
Tel: (43) 6232 5535 0
Fax: (43) 6232 5535 4
info@invacare-austria.com

Sverige & Suomi:

Invacare AB, Fagerstagatan 9,
S-163 91 Spånga
Tel: (46) (0)8 761 70 90
Fax: (46) (0)8 761 81 08
sweden@invacare.com
finland@invacare.com

United Kingdom:

Invacare Limited, Pencoed Technology
Park, Pencoed, Bridgend CF35 5HZ
Tel: (44) (0) 1656 776200
Fax: (44) (0) 1656 776201
Customer Services:
Tel: (44) (0) 1656 776222
Fax: (44) (0) 1656 776220
UK@invacare.com

Portugal:

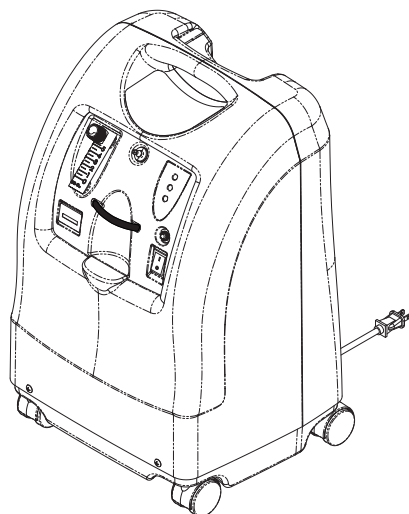
Invacare Lda,
Rua Estrada Velha, 949, P-4465-784 Leça do
Balio
Tel: (351) (0)225 1059 46/47
Fax: (351) (0)225 1057 39
portugal@invacare.com

NOTES

Manuel d'utilisation

Perfecto₂TM Série

Concentrateurs à oxygène sans SensO₂[®],
Concentrateurs à oxygène avec SensO₂[®]
Compatible HomeFill[®]



Modèle IRC5PO2AW
Modèle IRC5PO2VAW

Modèle IRC5PAW

Distributeur : Ce manuel DOIT être remis à l'utilisateur final.

Utilisateur : Lire ce manuel AVANT d'utiliser cet appareil, et le conserver en cas de besoin.

Pour de plus amples informations sur les produits Invacare, les pièces détachées et le service client, veuillez vous rendre sur www.invacare.fr



Yes, you can.[®]

MISE EN GARDE

NE PAS utiliser cet appareil ou tout autre équipement optionnel sans avoir préalablement lu et compris ces instructions et tout document d'instruction additionnel tel que le manuel de l'utilisateur, manuel d'entretien ou feuillets fournis avec ce produit ou tout matériel optionnel. Si l'utilisateur ne comprend pas les mises en garde, messages d'attention ou instructions, il doit contacter un professionnel de la santé, le distributeur ou le personnel technique avant de tenter d'utiliser cet appareil - Sinon, il y a un risque de blessure corporelle ou de dommage matériel.

MISE EN GARDE POUR LES ACCESSOIRES

Les produits Invacare ont été spécifiquement conçus et fabriqués pour être utilisés conjointement avec les accessoires Invacare. Les accessoires conçus par d'autres fabricants n'ont pas été testés par Invacare et il n'est pas recommandé de les utiliser avec les produits Invacare.

ACCESSOIRES

Il y a une large gamme d'humidificateurs, de tubes à oxygène, de canules et de masques pouvant être utilisés avec cet appareil. Vous devriez contacter votre prestataire de soins à domicile afin qu'il vous indique quels sont les dispositifs adaptés à votre cas. Ils devraient également vous renseigner concernant la méthode d'utilisation, la maintenance et le nettoyage appropriés.

REMARQUE : Les versions mises à jour de ce manuel sont disponibles sur www.invacare.fr.

SOMMAIRE

ACCESSOIRES	34
REMARQUES SPÉCIALES	36
EMPLACEMENT DU LABEL	38
SECTION 1—REGLES GENERALES	39
Interférence radioélectrique.....	41
SECTION 2—CARACTÉRISTIQUES	42
SECTION 3—MANIPULATION	43
Déballage.....	43
Contrôle.....	43
Rangement	43
SECTION 4—DESCRIPTION TECHNIQUE	44
SECTION 5—PARAMÈTRES TYPES DU PRODUIT .45	
SECTION 6—CONSIGNES D'UTILISATION	49
Introduction.....	49
Choisir Un Endroit.....	49
Montage.....	50
Débit.....	53
Témoin de la pureté de l'oxygène SensO ₂ - Modèle IRC5PO2AW & IRC5PO2VAW.....	54
Mise en marche initiale du concentrateur	55
Explication des témoins lumineux - Modèle IRC5PAW	56
Compteur horaire.....	56
SECTION 7—ENTRETIEN	57
Entretien de routine	57
SECTION 8—GUIDE DE DÉPANNAGE	60
SECTION 9—ACCESSOIRES EN OPTION	62
INFORMATIONS DE RECYCLAGE	63
LIMITES DE GARANTIE	64

REMARQUES SPÉCIALES

Des mots d'alerte sont utilisés dans ce manuel et s'appliquent aux pratiques à risque ou dangereuses pouvant entraîner des blessures corporelles ou des dégâts matériels. Se reporter au tableau suivant pour les définitions des mots-indicateurs.

MOT-INDICATEUR	DEFINITION
DANGER	Danger indique une situation dangereuse imminente qui, si elle n'est pas écartée, entraînera la mort ou des blessures graves.
MISE EN GARDE	Mise en garde indique une situation potentiellement dangereuse qui, si elle n'est pas écartée, peut entraîner la mort ou des blessures graves.
ATTENTION	Attention indique une situation de risque potentiel qui, s'il n'est pas écarté, peut entraîner des dégâts personnels ou des lésions mineures voire les deux.

AVIS

Les informations contenues dans ce document sont susceptibles d'être modifiées sans préavis.

DANGER

NE FUMEZ PAS pendant l'utilisation de cet appareil. Conservez allumettes, cigarettes allumées ou autres sources d'ignition en dehors de la pièce dans laquelle se trouve cet appareil et éloignées de l'endroit où de l'oxygène est distribué.

⚠ DANGER

Des panneaux INTERDIT DE FUMER doivent être exposés bien en vue. Les textiles et autres matériaux qui ne brûleraient pas dans des conditions normales s'enflamment facilement et brûlent avec une grande intensité dans un endroit où l'air est enrichi en oxygène. Le non-respect de cette mise en garde peut entraîner un incendie et des dégâts matériels graves, ou provoquer des blessures corporelles voire la mort.

ATTENTION

« Attention : La loi peut restreindre la vente de cet appareil de sorte qu'il ne puisse être vendu que par un médecin ou sur son ordonnance, ou par tout autre praticien agréé sur le lieu d'exercice. »

Invacare recommande une source alternative d'apport en oxygène dans le cas d'une coupure de courant, d'une situation d'urgence ou d'une panne mécanique. Consultez votre médecin ou votre fournisseur concernant le système de réserve que vous souhaitez.

Ce matériel doit être utilisé pour assurer un complément d'oxygène et non pour servir d'appareil de réanimation et de maintien des fonctions vitales.

EMPLACEMENT DU LABEL

Perfecto₂™

POUR LES INSTRUCTIONS DE FONCTIONNEMENT ou ALARMES (voir le manuel de l'opérateur)

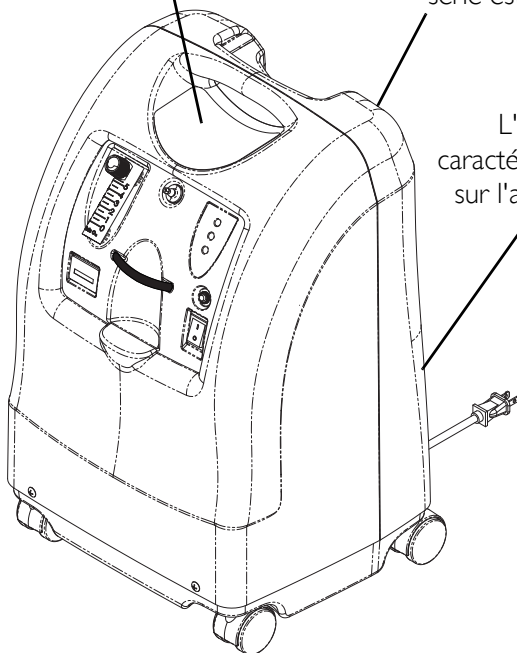
- ⚠ DANGER - RISQUE D'INCENDIE
NE PAS FUMER - Ecarter TOUTE source d'ignition de la pièce où se trouve cet appareil et à distance des zones de distribution d'oxygène. Les textiles, huiles et autres combustibles représentent des sources inflammables pouvant brûler avec grande intensité dans un environnement où l'air est enrichi en oxygène.
- ⚠ DANGER - ELECTROCUTION
NE PAS enlever le couvercle. Confier toute réparation à un personnel de maintenance qualifié.
- ⚠ Un taux de débit inférieur à 0,5 L/min déclenche une alarme sonore de signalisation de bas débit (alarme rapide audible).
- ⚠ Positionnez le débitmètre sur 2,5 L/min ou moins lorsque vous remplissez les bouteilles HomeFill®.

Compatible
HomeFill®



L'étiquette avec le numéro de série est située sur

L'étiquette des caractéristiques est située sur l'arrière vers le bas



SECTION I—REGLES GENERALES

Pour garantir l'installation, l'assemblage et le fonctionnement sûrs du concentrateur Perfecto₂, il convient de respecter ces instructions IMPÉRATIVEMENT.

⚠ MISE EN GARDE

Ce chapitre contient des informations importantes concernant le fonctionnement et l'utilisation sans danger de ce produit.

⚠ DANGER

Risque d'électrocution. NE PAS démonter. Confier toute réparation à un personnel de maintenance qualifié. Aucune pièce réparable par l'utilisateur.

POUR REDUIRE LE RISQUE DE BRÛLURES, D'ELECTROCUTION, D'INCENDIE OU DE DOMMAGES CORPORELS.

Ne jamais utiliser l'appareil en prenant un bain. Si la prescription médicale requiert une utilisation continue, le concentrateur DOIT être placé dans une autre pièce éloignée d'au moins 2.5 m (7ft) de la salle de bains.

NE PAS toucher le compresseur en étant mouillé.

NE PAS placer ou ranger l'appareil à proximité de l'eau ou d'un autre liquide.

NE JAMAIS tenter de reprendre l'appareil s'il tombe dans l'eau. Débrancher IMMEDIATEMENT.

Si le cordon ou la prise du concentrateur est endommagé, s'il ne fonctionne pas correctement, s'il heurte le sol, s'il est endommagé ou plongé dans l'eau, l'appareil doit être renvoyé à un technicien qualifié pour être inspecté et réparé.

⚠ DANGER

Une inflammation spontanée et violente peut se produire si de l'huile, de la graisse ou des substances grasses entrent en contact avec l'oxygène sous pression. Ces substances **DOIVENT** être tenues à l'écart du concentrateur d'oxygène, des tubes et connexions, et de tout matériel d'oxygénation en général. **NE PAS** utiliser de lubrifiants sauf en cas de recommandations par Invacare.

Éviter de provoquer des étincelles à proximité de l'appareil médical d'oxygénation. Cela inclut les étincelles d'électricité statique provoquées par des frictions.

Informations de fonctionnement

Pour une performance optimale, Invacare recommande que chaque concentrateur fonctionne pendant un minimum de 30 minutes à chaque fois. Des périodes de fonctionnement plus courtes peuvent réduire la durée de vie de cet appareil.

Eloignez les tubes à oxygène, le cordon et l'appareil de sous les couvertures, les dessus de lit, les coussins, les vêtements et écartés des surfaces chauffées ou chaudes, comprenant les radiateurs, les fours et appareils électriques similaires.

NE PAS déplacer ou changer le concentrateur de place en tirant sur le cordon électrique.

NE JAMAIS laisser tomber ou insérer un objet ou du liquide dans les ouvertures.

Invacare recommande qu'un tube à oxygène anti-écrasement soit utilisé avec ce produit et qu'il ne dépasse pas 15.2 m (50 ft) de longueur.

Il n'y a pas de pièces réparables par l'utilisateur. Ceci n'inclue pas les éléments d'entretien normal. Voir la section entretien pour l'entretien des éléments par l'utilisateur.

NE JAMAIS laisser l'appareil sans surveillance lorsqu'il est branché. Assurez-vous que le Perfecto₂ est débranché lorsqu'il n'est pas utilisé.

Une supervision rapprochée est nécessaire lorsque ce produit est utilisé par ou à proximité des enfants ou des individus souffrant de handicaps physiques.

Un contrôle ou une attention particulière doit être apportée aux patients qui utilisent cet appareil ou qui sont incapables d'entendre ou de voir des alarmes ou de communiquer leur inconfort.

NE PAS brancher le concentrateur en parallèle ou en série avec d'autres concentrateurs d'oxygène ou appareils d'oxygénothérapie.

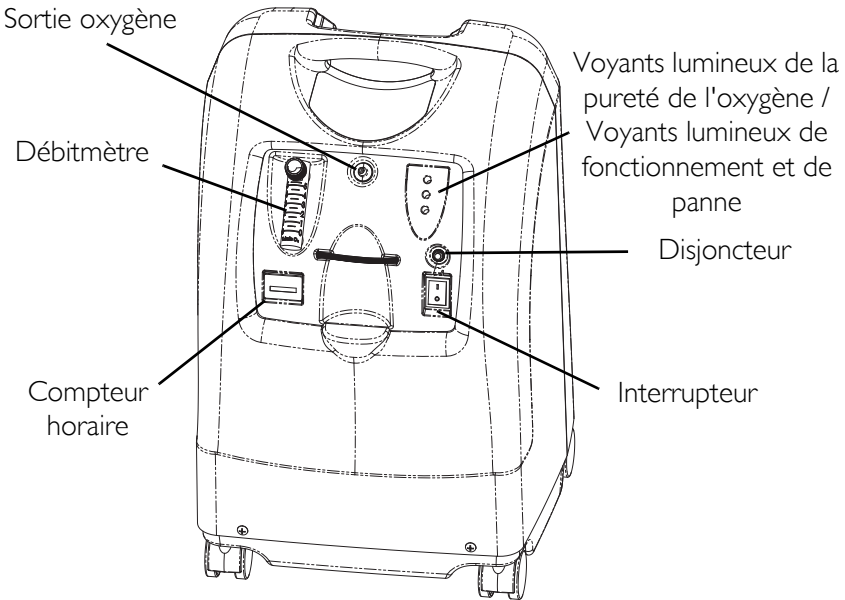
Interférence radioélectrique

Cet équipement a été testé et trouvé conforme aux limites EMC spécifiées par IEC/EN 60601-1-2. Ces limites sont destinées à protéger raisonnablement contre les interférences électromagnétiques dans une installation médicale typique.

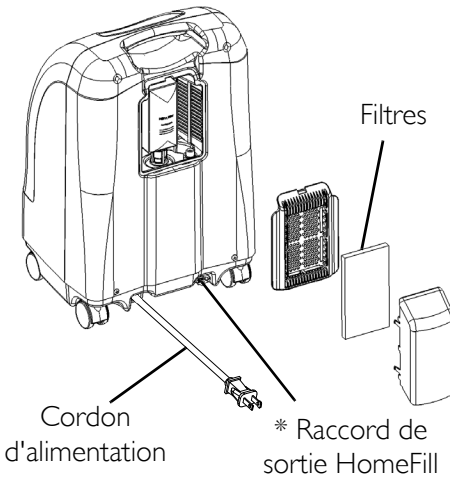
D'autres appareils peuvent recevoir des interférences même des plus bas niveaux des émissions électromagnétiques autorisées par les standards ci-dessus. Pour déterminer si les émissions du Perfecto₂ causent l'interférence, arrêtez le Perfecto₂. Si l'interférence avec l'autre appareil s'arrête, alors le Perfecto₂ cause l'interférence. Dans ces cas rares, l'interférence peut être réduite ou corrigée de l'une des façons suivantes:

- Repositionnez la machine, changez la de place, ou éloignez l'espacement entre les machines.
- Branchez l'appareil dans une prise différente de celle sur laquelle l'autre appareil est branché.

SECTION 2—CARACTÉRISTIQUES



VUE ARRIÈRE



**REMARQUE : Ce raccord de sortie ne doit être utilisé que pour remplir les bouteilles d'oxygène avec le compresseur HomeFill. Le raccord de sortie n'affecte pas la performance du concentrateur. Se référer au manuel d'utilisation HomeFill, référence 1145804, pour les instructions de raccordement et d'utilisation. L'obturateur fourni avec le concentrateur doit être introduit dans le raccord de sortie lorsqu'il n'est pas utilisé. Pour plus d'informations concernant le HomeFill, contactez votre vendeur Invacare.*

SECTION 3—MANIPULATION

Le concentrateur doit TOUJOURS être maintenu en position verticale afin d'éviter d'endommager le caisson lors du transport.

Si le concentrateur doit être réexpédié par transporteur, des cartons supplémentaires sont disponibles chez Invacare.

Déballage

REMARQUE : Pour cette procédure, se reporter à FIGURE 3.1.

1. Contrôler tout dommage évident du carton ou de son contenu. Si des dégâts sont visibles, informez-en le livreur, ou votre vendeur local.
2. Retirer toutes les garnitures des cartons.
3. Retirer soigneusement tous les éléments du carton.

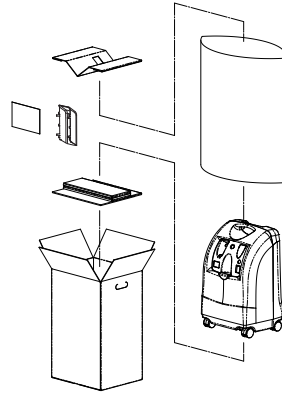


FIGURE 3.1 Déballage

REMARQUE : A moins que le concentrateur à oxygène doive être utilisé IMMEDIATEMENT, laisser le concentrateur dans son emballage pour le ranger jusqu'à ce que l'utilisation du concentrateur soit nécessaire.

Contrôle

1. Examiner/contrôler l'extérieur du concentrateur d'oxygène pour repérer d'éventuelles rayures, bosses, éraflures ou autres dommages. Contrôler tous les éléments.

Rangement

1. Ranger le concentrateur d'oxygène réemballé dans un endroit sec.
2. NE PAS placer d'autres objets au-dessus du concentrateur d'oxygène remis dans son emballage.

SECTION 4—DESCRIPTION TECHNIQUE

Le concentrateur Invacare Perfecto₂ est utilisé par les patients atteints de désordres respiratoires qui nécessitent un apport d'oxygène. L'appareil n'est pas prévu pour maintenir ou prolonger la vie.








Le taux concentration d'oxygène varie de 87 % à 95,5 %. L'apport en oxygène au patient se fait à l'aide d'une cannule nasale.

Le concentrateur Invacare Perfecto₂ utilise un tamis moléculaire et une méthode d'absorption de la pression pour produire la sortie d'oxygène. L'air ambiant entre dans l'appareil; est filtré puis compressé. L'air compressé est ensuite dirigé vers l'un des deux tamis absorbants l'azote. L'oxygène concentré s'échappe du tamis opposé et est dirigé dans un réservoir à oxygène où il est transmis au patient.

Le concentrateur Invacare Perfecto₂ est capable d'être utilisé par le patient dans un environnement d'habitation ou un environnement institutionnel. L'appareil fonctionne à une puissance nominale de 230 VAC/50 Hertz.

Les informations d'entretien seront fournies sur demande au personnel technique qualifié uniquement.

SECTION 5—PARAMÈTRES TYPES DU PRODUIT

	Courant alternatif
	Équipement de Type BF
	Appareil en marche
	Appareil à l'arrêt
	Attention - Consulter la documentation jointe
	NE PAS fumer
	Classe II, double isolation
IPX1	Protéger contre les projections d'eau
Caractéristiques électriques :	230 V c.a. \pm 10 % (253 V c.a./207 V c.a.), 50 Hz
Consommation de courant nominal :	1.4 A
Niveau sonore :	39 DbA de moyenne
Altitude :	<p>Tout le Perfecto2 Modèle: Jusqu'à 2 438 mètres (8 000 pieds) au-dessus du niveau de la mer sans dégradation des niveaux de concentration. De 8.000 pieds à 13.129 pieds (4000 mètres) au dessous de 90% efficacité.</p> <p>Tout le Perfecto₂ Modèle en remplissant un Système de HomeFill : Jusqu'à 6.000 pieds (1828 mètres) au-dessus du niveau de la mer sans la dégradation de niveaux de concentration. De 6.000 pieds (1828 mètres) à 13.129 pieds (4000 mètres) au dessous de 90% efficacité.</p>
Taux de concentration d'oxygène :	<p>87 % à 95.6 % de 0.5 à 5 L/min 93% \pm 3% à 2 L/min</p> <p><i>REMARQUE : Les taux de concentration indiqués ont été obtenus après une période de chauffe initiale d'environ 30 minutes.</i></p>



SECTION 5—PARAMÈTRES TYPES DU PRODUIT

Pression de sortie maximale :	34.5 kPa ± 3.45 kPa (5 psi ± 0.5 psi)
Plage de débit :	De 0.5 to 5 L/min (maximum) Pour les taux de débit inférieurs à 1L/min, nous recommandons l'utilisation du débitmètre pédiatrique Invacare (IRCPF16AW)
Alarme de baisse de débit :	De 0 L/min to 0.5 L/min Bips d'alarme rapides et audibles (Aucuns accessoires branchés)
Puissance moyenne Consommation:	Perfecto ₂ AW - 300 W @ 5 L/min, 280 W @ ≤ 3 L/min Perfecto ₂ VAW - 320 W @ 5 L/min
Mécanisme de décompression fonctionnant à :	241 kPa ± 24,1 kPa (35 psi ± 3,5 psi)
Modification du débit maximal recommandé lorsqu'une contre-pression de 7 kPa est appliquée :	0,7 l/mn
Filtres :	Caisson, sortie HEPA et admission
Système de sécurité :	Arrêt en cas de surcharge de courant ou de surtension Arrêt du compresseur en cas de température élevée Alarme de haute pression avec arrêt du compresseur Alarme de basse pression avec arrêt du compresseur Alerte de perte d'alimentation auxiliaire Alarme de débit faible du système d'oxygène SensO ₂ (modèle SensO ₂)
Largeur :	38.1 cm ± 1 cm (15 in ± 3/8 in)
Hauteur :	58.4 cm ± 1 cm (23 in ± 3/8 in)
Profondeur :	30.5 cm ± 1 cm (12 in ± 3/8 in)
Poids :	Perfecto ₂ AW - 20.5 kg ± 1 kg (45 lbs ± 2 lbs) Perfecto ₂ VAW - 18.1 kg ± 1 kg (40 lbs ± 2 lbs)
Poids d'expédition:	Perfecto ₂ AW - 22.7 kg ± 1 kg (50 lbs ± 2 lbs) Perfecto ₂ VAW - 20.4 kg ± 1 kg (45 lbs ± 2 lbs)
Température ambiante :	10° C - 35° C (50° F - 95° F) à une humidité relative de 20 à 60 %
Température de l'échappement de l'air de refroidissement :	Inférieur à la température ambiante +19 °C


SECTION 5—PARAMÈTRES TYPES DU PRODUIT

Température de sortie de l'oxygène :	Inférieure à la température ambiante +3° C (+ 6° F)
Caisson :	Coffrage en plastique anti-chocs et retardateur de flammes conforme à la norme UL 94-V0
Pas de No AP/APG	Non adapté pour une utilisation en présence d'un mélange anesthésique inflammable
Liste standard et réglementaire:	<p>IRC5PO2AW/IRC5PAW/IRC5PO2VAW: IEC/EN 60601-1, A1, A2 IEC/EN 60601-1-2 IEC/EN61000-3-2 IEC/EN61000-3-3</p> <p>Uniquement les modèles IRC5PO2AW/IRC5PO2VAW ISO8359 MDD 93/42/EEC, Annexe I et IX</p>
Modèles CE :	IRC5PO2AW
Électricité :	Pas de rallonge
Positionnement :	<p>Éloigner le concentrateur d'oxygène à au moins 7,5 cm des murs, rideaux ou meubles pour assurer un débit d'air suffisant</p> <p>Éviter les moquettes épaisses et les appareils de chauffage, radiateurs ou registres d'air chaud</p> <p>Uniquement sur le sol</p> <p>Ne pas utiliser l'appareil dans des espaces confinés (Exemple: Placards ou Toilettes)</p>
Lunette à oxygène :	Canule de 2 m (7 ft) indéformable de 15 m (50 ft) max. de tubage (NE PAS pincer)
Durée de fonctionnement :	Jusqu'à 24 heures par jour
Température recommandée pour le stockage et l'expédition :	-29° C à 65° C, à une humidité relative de 15 à 95 %
Environnement :	<p>Sans fumée ni suie</p> <p>Ne pas utiliser l'appareil dans des espaces confinés (Exemple: Placards ou Toilettes)</p>
Durée de fonctionnement minimum :	30 minutes

TÉMOINS IRC5PO2AW & IRC5PO2VAW

SYMBOLE FIGURANT SUR L'ÉTIQUETTE	PURETÉ O ₂	VOYANTS LUMINEUX (DEL)
O ₂	SYSTEM OKAY (SYSTÈME OKAY) O ₂ au dessus de 85 % (± 2 %)	Voyant lumineux VERT
	O ₂ entre 73 % (± 3 %) et 85 % (± 2 %)	Témoin lumineux JAUNE A. JAUNE fixe B. Voyant clignottant JAUNE Panne Appelez un technicien qualifié.
	SYSTÈME DEFAILLANT O ₂ au dessous de 73 % (±3 %)	Voyant lumineux ROUGE Alarme sonore continue Sieve-GARD arrêt du compresseur

VOYANT LUMINEUX IRC5PAW

SYMBOLE FIGURANT SUR L'ÉTIQUETTE	ÉTAT	VOYANTS LUMINEUX (DEL)
I/O	SYSTEM OKAY (SYSTÈME OKAY)	Voyant lumineux VERT
	SYSTÈME DEFAILLANT	Voyant lumineux ROUGE Alarme sonore continue Sieve-GARD™ Arrêt du compresseur Appelez un technicien qualifié

SECTION 6—CONSIGNES D'UTILISATION

Introduction

Votre concentrateur à oxygène est prévu pour un usage individuel. C'est un appareil électronique sépare l'oxygène de l'air ambiant. Il délivre une forte concentration d'oxygène par une canule nasale. Des études cliniques ont montré que les concentrateurs d'oxygène sont équivalents en matière de thérapie à d'autres types de système de délivrance d'oxygène.

Le prestataire démontrera comment utiliser le concentrateur d'oxygène. Il doit être consulté pour toutes questions ou problèmes posés par le concentrateur d'oxygène. Le manuel de l'utilisateur vous instruira sur votre concentrateur et vous servira de référence pour l'utilisation de votre concentrateur.

Choisir Un Endroit

⚠ MISE EN GARDE

NE JAMAIS bloquer les ouvertures d'air de l'appareil ni le placer sur une surface molle, un lit ou un canapé par exemple, pour ne pas bloquer les sorties d'air. Éloigner les peluches, cheveux et textures similaires des sorties d'air.

Tenir l'appareil éloigné des murs, rideaux, mobilier et autres d'au moins 7,5 cm.

Choisir une pièce dans la maison où l'utilisation du concentrateur d'oxygène sera la plus pratique. Le concentrateur doit pouvoir être facilement déplacé de pièce en pièce sur ses roulettes.

Votre concentrateur à oxygène sera plus performant si vous le faites fonctionner dans les conditions suivantes Paramètres types du produit en page 45. Une utilisation dans un environnement autre que celui décrit pourrait nécessiter une maintenance supplémentaire. L'admission d'air de l'appareil doit être située dans un endroit bien ventilé pour éviter les polluants atmosphériques et / ou les fumées. NE PAS l'utiliser dans un cagibi.

Montage

1. Brancher le cordon dans une prise électrique.
2. Raccorder l'humidificateur (Si cela a été recommandé).

MISE EN GARDE

NE PAS trop remplir l'humidificateur.

NE PAS inverser les connexions entrée et sortie d'oxygène. L'eau provenant de l'humidificateur repassera par la canule jusqu'à l'utilisateur.

REMARQUE : Pour cette procédure, se reporter à FIGURE 6.1, FIGURE 6.2 en page 51, FIGURE 6.3 en page 52.

1. Enlevez le bouchon de la bouteille.
2. Remplir l'humidificateur d'eau distillée jusqu'au niveau indiqué par le fabricant. Remettre le bouchon de l'humidificateur et bien le fermer.

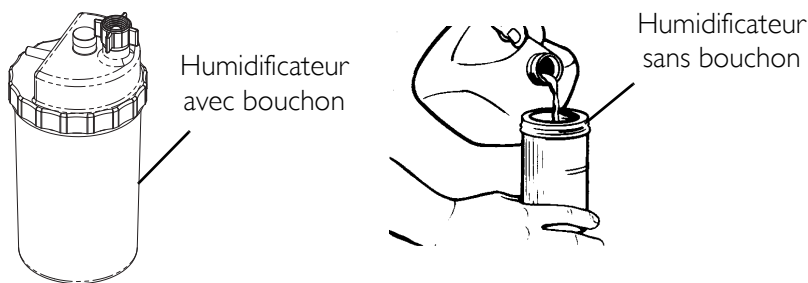


FIGURE 6.1 Remplissage de l'humidificateur

3. Insérer un tournevis à tête plate dans la rainure plaque sur le bord supérieur de la trappe d'accès et soulever délicatement la porte d'accès du filtre pour ouvrir la trappe (FIGURE 6.2).
4. Retirer le raccord de l'humidificateur (FIGURE 6.2).
5. Remplacez la trappe d'accès au filtre et remettez l'ouïe d'aération sur la trappe d'accès du filtre en insérant les six taquets se trouvant sur l'ouïe d'aération dans les six encoches situées sur les côtés de la trappe d'accès au filtre.

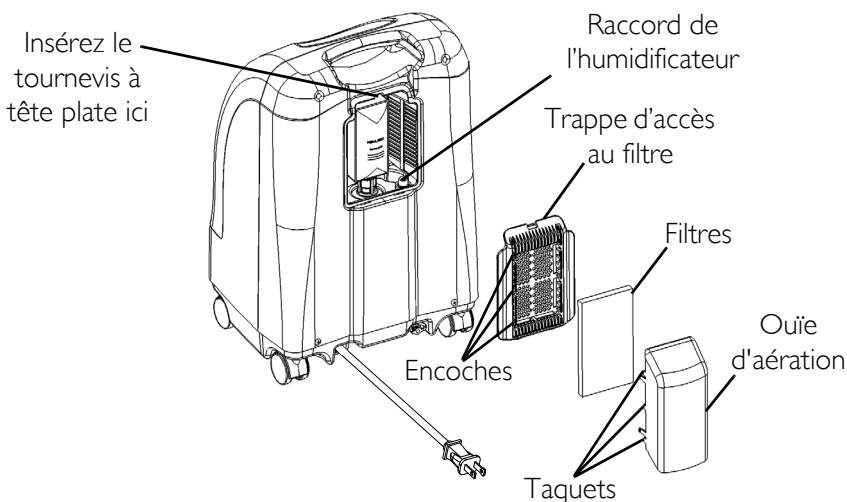


FIGURE 6.2 Adaptateur de l'humidificateur

6. Fixez le raccord de l'humidificateur sur l'humidificateur en tournant la vis à oreilles de l'humidificateur dans le sens des aiguilles d'une montre jusqu'à ce qu'il soit bien fixé. Voir Détail "A" dans FIGURE 6.3.
7. Placer l'humidificateur sur le compartiment humidificateur du concentrateur. Voir Détail "B" dans FIGURE 6.3.
8. Fixer le tube à oxygène à l'humidificateur ou sur l'embout de sortie de l'oxygène sur le concentrateur. Voir Détail "B" dans FIGURE 6.3.
9. Fixer la canule / le tube d'alimentation du patient à la sortie de l'humidificateur. Voir Détail "B" dans FIGURE 6.3.
10. Après montage, s'assurer que l'oxygène passe bien par la canule.

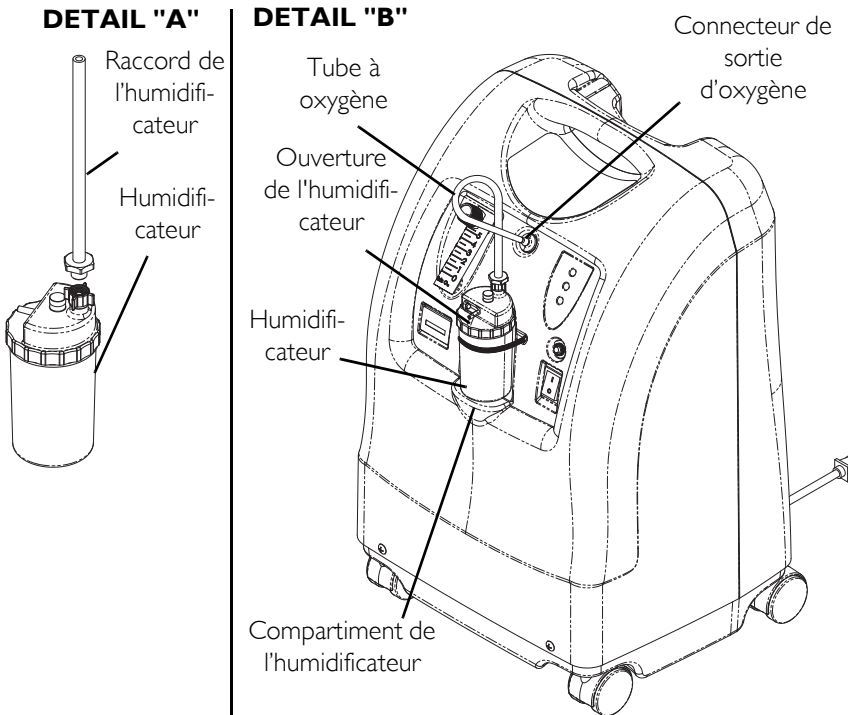


FIGURE 6.3 Compartiment de l'humidificateur

Interrupteur

REMARQUE : Pour cette procédure, se reporter à FIGURE 6.4.

1. Mettre l'interrupteur sur la position Marche. Tous les voyants lumineux et l'alarme sonore s'allument pendant une seconde pour indiquer que l'appareil fonctionne normalement.

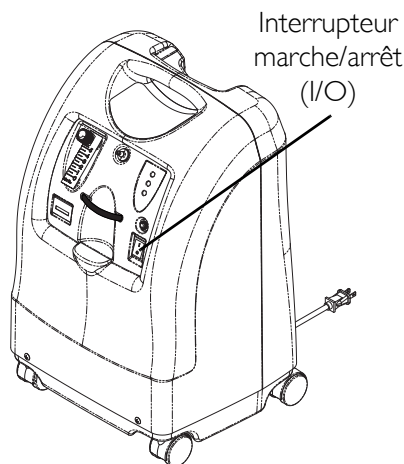


FIGURE 6.4 Interrupteur

Débit

REMARQUE : Pour cette procédure, se reporter à FIGURE 6.5.

REMARQUE : Veiller à ne pas régler le débit au-dessus de l'anneau ROUGE. Un taux de débit d'oxygène supérieur à 5 L/min diminuera la concentration d'oxygène.

1. Tourner le bouton de débit sur le réglage recommandé par le médecin.

⚠ MISE EN GARDE

NE PAS modifier le réglage L/mn du débitmètre tant qu'un changement n'a pas été demandé par le médecin.

REMARQUE : Pour bien lire le débitmètre, repérer le trait de débit recommandée. Tourner ensuite le bouton de débit de façon à voir la bille monter jusqu'au trait. Maintenant, centrer la bille sur le trait L/mn recommandé.

2. Si le débit indiqué par le débitmètre chute au-dessous de 0,5 L/mn pendant plus d'une minute environ, l'alarme de DÉBIT MINIMUM se déclenche. L'alarme sonore émet des signaux rapides. Contrôler le tube ou les accessoires pour repérer tout blocage ou pincement du tube ou un défaut de l'humidificateur. Une fois le débit normal rétabli, à savoir plus de 0,5 L/mn, l'alarme sonore de DEBIT MINIMUM s'arrête.

REMARQUE : L'utilisation d'accessoires tels que le débitmètre pédiatrique et le compresseur HomeFill désactive l'alarme de baisse de débit.

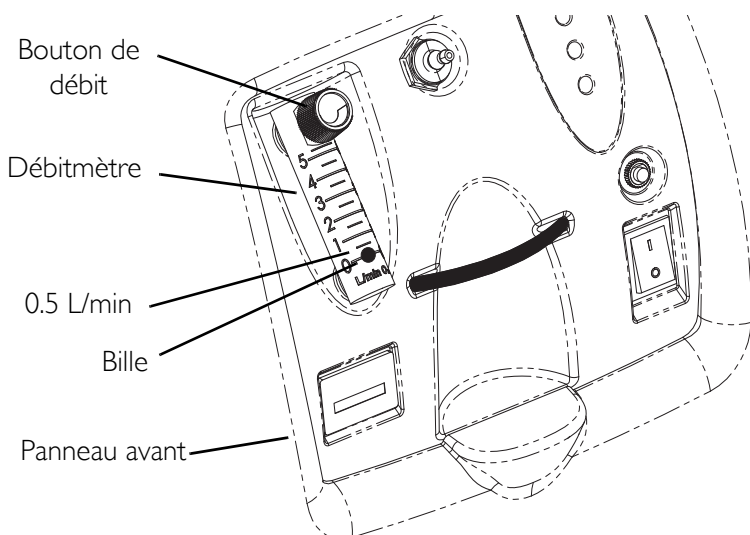


FIGURE 6.5 Débit

Témoin de la pureté de l'oxygène SensO₂ - Modèle IRC5PO2AW & IRC5PO2VAW

Ce dispositif contrôle la pureté de l'oxygène généré par le concentrateur d'oxygène. Si la pureté tombe au-dessous des normes pré réglées à l'usine, les voyants du tableau de contrôle s'allument.

Mise en marche initiale du concentrateur

REMARQUE : Le concentrateur peut être utilisé pendant la durée de chauffe du démarrage initial (environ 30 mn) en attendant que le voyant de pureté O₂ vert s'allume.

Lorsque l'appareil est mis en marche, le voyant VERT s'allume (SYSTÈME CORRECT/O₂ supérieur à 85 %). Après 5 minutes, le capteur d'oxygène fonctionne normalement et commande les voyants lumineux en fonction de la concentration d'oxygène définie.

Explication des témoins lumineux de la pureté de l'oxygène - Modèle IRC5PO2AW & IRC5PO2VAW

REMARQUE : Pour cette procédure, se reporter à FIGURE 6.6 en page 56.

Voyant VERT (O₂) - Fonctionnement normal.

Témoin lumineux JAUNE (⚠) - Appelez le fournisseur immédiatement. Le patient peut continuer à utiliser le concentrateur sauf instructions contraires de la part du prestataire. S'assurer que la réserve d'oxygène est à proximité.

Voyant ROUGE (⚠) - Arrêt total de l'appareil. Passez immédiatement sur un apport d'oxygène de secours et appelez le fournisseur.

Témoin lumineux VERT - avec un clignotant JAUNE - appelez le fournisseur immédiatement. Mauvais fonctionnement du capteur d'oxygène ; le patient peut continuer d'utiliser le concentrateur.

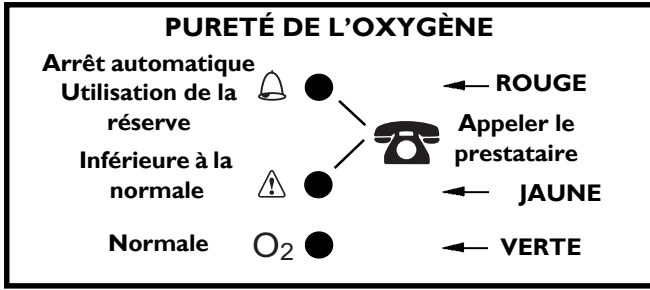


FIGURE 6.6 Explication des témoins lumineux de la pureté de l'oxygène - Modèle IRC5PO2AW & IRC5PO2VAW

Explication des témoins lumineux - Modèle IRC5PAW

REMARQUE : Pour cette procédure, se reporter à FIGURE 6.7.

Modèle IRC5PAW - Explication des témoins lumineux

Voyant ROUGE (🔴) - Arrêt total de l'appareil. Passez immédiatement sur un apport d'oxygène de secours et appelez le fournisseur.

Voyant VERT (🟢) (I/O) - Marche/arrêt. Système correct.

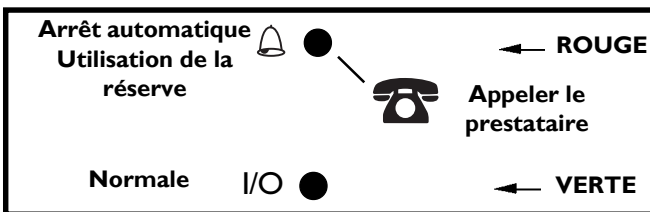


FIGURE 6.7 Explication des témoins lumineux - Modèle IRC5PAW

Compteur horaire

Le compteur horaire affiche le cumul des heures de fonctionnement de la machine.

SECTION 7—ENTRETIEN

⚠ MISE EN GARDE

Les concentrateurs Invacare sont spécialement conçus pour minimiser les opérations de maintenance préventive de routine. Seules les personnes qualifiées sont autorisées à effectuer l'entretien de routine du concentrateur.

Débrancher le concentrateur lors du nettoyage. Pour éviter les risques d'électrocution, NE PAS retirer le capot supérieur.

REMARQUE : La maintenance préventive DOIT au moins être effectuée conformément aux instructions du carnet de maintenance. Une maintenance plus fréquente peut s'avérer nécessaire sur les sites très poussiéreux ou impliquant des niveaux de suies élevés. Se reporter à Rapport de maintenance préventive en page 59.

Entretien de routine

L'entretien de routine ci-dessous doit être effectué plus fréquemment. Regardez les intervalles recommandés dans chaque section et Rapport de maintenance préventive en page 59.

Nettoyage des filtres

ATTENTION

NE PAS faire fonctionner le concentrateur si les filtres ne sont pas installés.

REMARQUE : Pour cette procédure, se reporter à FIGURE 7.1 en page 58.

REMARQUE : Il y a un filtre situé à l'arrière du caisson.

1. Vérifiez le filtre chaque mois. Enlevez le filtre et nettoyez le si nécessaire.

REMARQUE : Les conditions environnementales nécessitant une vérification plus fréquente et le nettoyage du filtre incluent, mais ne se limitent pas à: poussière dense, polluants atmosphériques, etc.

2. Nettoyer le filtre à l'aspirateur ou à l'eau chaude savonneuse et les rincer soigneusement.
3. Séchez le filtre soigneusement avant de le remettre.

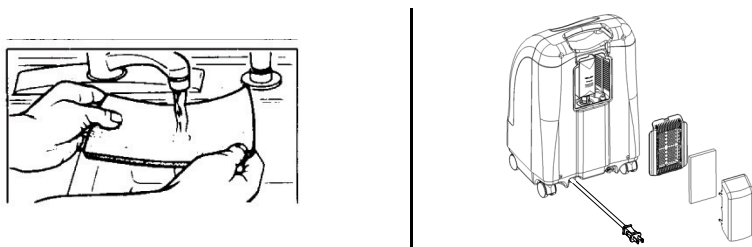


FIGURE 7.1 Nettoyage des filtres

Nettoyer le caisson supérieur

1. Nettoyer le caisson supérieur avec un produit nettoyant doux et un chiffon ou une éponge douce.

Nettoyer l'humidificateur

REMARQUE : Pour nettoyer l'humidificateur d'oxygène, suivre les instructions fournies par le fabricant. Sinon, suivre ces ÉTAPES :

1. Nettoyer l'humidificateur tous les jours.
2. Le laver à l'eau savonneuse et le rincer avec une solution de dix volumes d'eau pour un de vinaigre.
3. Le rincer soigneusement à l'eau chaude et le remplir d'eau distillée jusqu'au niveau indiqué sur l'humidificateur.

MODÈL N° IRC _____

NUMÉRO DE SÉRIE _____



RAPPORT DE MAINTENANCE PRÉVENTIVE

À CHAQUE CONTRÔLE

Yes, you can!

Enregistrer la date d'entretien																					
Enregistrer les heures écoulées sur le compte-temps horaire																					
Nettoyer le filtre																					
Vérifier le débit prescrit en l/mn																					
CHAQUE 4 380 HEURES																					
Contrôler la concentration d'oxygène (UNITÉS SANS SensO ₂)																					
TOUS LES 26 280 HEURES OU LES 3 ANS, CELUI QUI SE PRODUIT EN PREMIER																					
Contrôler la concentration d'oxygène (UNITÉS AVEC SensO ₂)																					
DANS LE CADRE DU PROGRAMME DE MAINTENANCE PRÉVENTIVE OU ENTRE PATIENTS																					
Nettoyer/Remplacer le filtre du caisson																					
Contrôler le filtre HEPA, sortie*																					
Vérifiez le filtre d'admission du compresseur																					
Contrôler l'alarme de perte d'alimentation																					
SELON LE BESOIN																					
Nettoyer l'échangeur thermique																					
Remplacer le silencieux d'échappement																					
Remontez la partie supérieure du compresseur																					

*REMARQUE : Se reporter à la section Maintenance préventive du manuel d'entretien.

REMARQUE :

4 380 heures sont équivalentes à une utilisation pendant 24 heures, sept jours par semaine pendant 6 mois.

26 280 heures sont équivalentes à une utilisation pendant 24 heures, sept jours par semaine pendant 3 mois.

FIGURE 7.2 Rapport de maintenance préventive

SECTION 8—GUIDE DE DÉPANNAGE

SYMPTÔME :	CAUSE PROBABLE :	SOLUTION :
<p>Alarme :</p> <p>Bips sonores, courts, longue</p> <p>Le concentrateur ne fonctionne pas, L'interrupteur est sur marche</p> <p>Bip....Bip....</p>	<p>Perte d'alimentation principale:</p> <p>1. Le cordon n'est pas branché.</p> <p>2. Pas de courant à la sortie.</p> <p>3. Disjoncteur déclenché.</p>	<p>1. Insérer la fiche dans la prise.</p> <p>2. Contrôler le disjoncteur ou les fusibles. Si le problème se produit de nouveau, utiliser une autre prise.</p> <p>3. Pousser/réinitialiser le coupe circuit. Si le problème persiste, appelez votre service client.</p>
<p>Alarme :</p> <p>Continue</p> <p>Le concentrateur ne fonctionne pas. L'interrupteur est sur marche</p> <p>Biiiiiiip.....</p>	<p>Défaillance du système:</p> <p>1. Surchauffe de l'appareil du fait du blocage de l'admission d'air.</p> <p>2. Puissance insuffisante à la sortie.</p> <p>3. Réparations internes requises.</p>	<p>1a. Retirer le filtre caisson et le nettoyer.</p> <p>1b. Éloigner le concentrateur d'oxygène à au moins 7,5 cm des murs, rideaux ou meubles.</p> <p>2. NE PAS utiliser de rallonge. Passer à une autre circuit ou prise électrique.</p> <p>3. Appeler le service après-vente.</p>

SYMPTÔME :	CAUSE PROBABLE :	SOLUTION :
<p>Voyant JAUNE ou ROUGE allumé</p> <p>Alarme : Continue Voyant ROUGE uniquement</p> <p>* S'applique uniquement sur les modèles IRC5PO2AW & IRC5PO2VAW</p>	<p>1. Pureté d'oxygène faible.*</p> <p>2. Tube, canule ou humidificateur coudé ou bloqué.*</p> <p>3. Débitmètre à 0.5 L/min*.</p> <p>4. Surchauffe de l'appareil du fait du blocage de l'admission d'air.</p> <p>5. Puissance insuffisante à la sortie.</p> <p>6. Réparations internes requises.</p>	<p>1. Nettoyer ou remplacer le filtre.</p> <p>2. Contrôler l'absence de coudes ou blocages. Rectifier, nettoyer ou remplacer l'article. Une fois la correction exécutée, mettre hors tension pendant 60 secondes, puis de nouveau sous tension.</p> <p>3. Vérifier que le débitmètre est réglé sur 1.0 L/mn ou plus. Se reporter à <u>Paramètres types du produit</u> en page 45.</p> <p>4a. Retirer le filtre caisson et le nettoyer. 4b. Éloigner le concentrateur à au moins 7,5 cm des murs, rideaux ou meubles.</p> <p>5. NE PAS utiliser de rallonge. Passer à une autre circuit ou prise électrique.</p> <p>6. Appeler le service après-vente.</p>
<p>Voyant VERT avec clignotement voyant JAUNE</p>	<p>1. Réparations internes requises.</p>	<p>1. Appeler le service après-vente.</p>
<p>Alarme : Rapide</p> <p>Bip... Bip... Bip... Bip...</p>	<p>ALARME DE BAISSÉ DE DÉBIT</p> <p>1. Tube, canule ou humidificateur coudé ou bloqué.</p> <p>2. Débitmètre à 0.5 L/min</p>	<p>1. Contrôler l'absence de coudes ou blocages. Rectifier, nettoyer ou remplacer l'article. Une fois la correction exécutée, mettre hors tension pendant 60 secondes, puis de nouveau sous tension.</p> <p>2. Les débits inférieurs à 1 l/mn ne sont pas recommandés.</p>

SECTION 9—ACCESSOIRES EN OPTION

Les accessoires en option ci-dessous sont également disponibles:

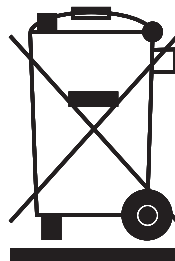
- Cannule nasale adulte standard, 2.1 m (7 feet)- M3120
- Humidificateur standard - M5120
- Débitmètre pédiatrique PreciseRX™/Débitmètre - IRCPF16AW
- Compresseur à oxygène particulier HomeFill - IOH200AW

INFORMATIONS DE RECYCLAGE

Ce produit a été livré par un fabricant soucieux de l'environnement et conforme à la directive 2002/96/CE sur la mise au rebut des équipements électroniques et électriques WEEE.

Ce produit est susceptible de contenir des substances potentiellement nocives pour l'environnement s'il est mis au rebut dans des endroits (décharges) non conformes à la législation en vigueur.

Le symbole « poubelle barrée » est apposé sur ce produit pour vous encourager à le recycler dans les structures de collecte appropriées.



Veillez vous comporter de manière responsable vis-à-vis de l'environnement et recycler ce produit arrivé en fin de vie par le biais d'un centre de recyclage.

LIMITES DE GARANTIE

Belgium & Luxemburg:

Invacare nv, Autobaan 22, B-8210 Loppem
Tel: (32) (0) 50 83 10 10
Fax: (32) (0) 50 83 10 11
belgium@invacare.com

Danmark:

Invacare A/S, Sdr. Ringvej 37, DK-2605
Brøndby
Tel: (45) (0)36 90 00 00
Fax: (45) (0)36 90 00 01
denmark@invacare.com

Deutschland:

Invacare Aquatec GmbH,
Alemanenstraße 10, D-88316 Isny
Tel: (49) (0)75 62 7 00 0
Fax: (49) (0)75 62 7 00 66
info@invacare-aquatec.com

European Distributor Organisation:

Invacare, Kleiststraße 49, D-32457 Porta
Westfalica
Tel: (49) (0)57 31 754 540
Fax: (49) (0)57 31 754 541
edo@invacare.com

España:

Invacare SA, c/Areny s/n, Polígon
Industrial de Celrà, E-17460 Celrà (Girona)
Tel: (34) (0)972 49 32 00
Fax: (34) (0)972 49 32 20
contactsp@invacare.com

France:

Invacare Poirier SAS, Route de St Roch,
F-37230 Fondettes
Tel: (33) (0)2 47 62 64 66
Fax: (33) (0)2 47 42 12 24
contactfr@invacare.com

Switzerland:

Invacare AG,
Benkenstrasse 260, CH-4108 Witterswil
Tel: (41) (0)61 487 70 80
Fax: (41) (0)61 487 70 81
switzerland@invacare.com

Ireland:

Invacare Ireland Ltd, Unit 5 Seatown
Business Campus,
Seatown Road, Swords, County Dublin –
Ireland
Tel: (353) 1 810 7084
Fax: (353) 1 810 7085
ireland@invacare.com

Italia:

Invacare Mecc San s.r.l., Via dei Pini 62,
I-36016 Thiene (VI)
Tel: (39) 0445 38 00 59
Fax: (39) 0445 38 00 34
italia@invacare.com

Nederland:

Invacare BV, Celsiusstraat 46, NL-6716 BZ
Ede
Tel: (31) (0)318 695 757
Fax: (31) (0)318 695 758
nederland@invacare.com
csede@invacare.com

Norge:

Invacare AS, Grensesvingen 9, Postboks
6230, Etterstad, N-0603 Oslo
Tel: (47) (0)22 57 95 00
Fax: (47) (0)22 57 95 01
norway@invacare.com
island@invacare.com

Österreich:

Invacare Austria GmbH, Herzog
Odiolostrasse 101, A-5310 Mondsee
Tel: (43) 6232 5535 0
Fax: (43) 6232 5535 4
info@invacare-austria.com

Sverige & Suomi:

Invacare AB, Fagerstagatan 9,
S-163 91 Spånga
Tel: (46) (0)8 761 70 90
Fax: (46) (0)8 761 81 08
sweden@invacare.com
finland@invacare.com

United Kingdom:

Invacare Limited, Pencoed Technology
Park, Pencoed, Bridgend CF35 5HZ
Tel: (44) (0) 1656 776200
Fax: (44) (0) 1656 776201
Customer Services:
Tel: (44) (0) 1656 776222
Fax: (44) (0) 1656 776220
UK@invacare.com

Portugal:

Invacare Lda,
Rua Estrada Velha, 949, P-4465-784 Leça do
Balio
Tel: (351) (0)225 1059 46/47
Fax: (351) (0)225 1057 39
portugal@invacare.com

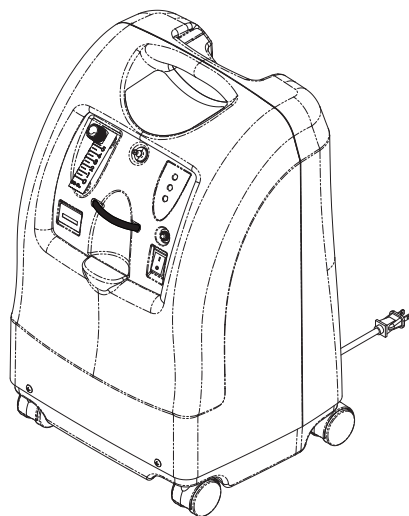
Manuale dell'operatore

Serie Perfecto₂TM

Concentratori di ossigeno senza SensO₂[®],

Concentratori di ossigeno con SensO₂

Compatibili con HomeFill[®]



Modello IRC5PO2AW
Modello IRC5PO2VAW

Modello IRC5PAW

Rivenditore: Consegnare IL presente manuale all'utente finale.

Utente: PRIMA di utilizzare questo prodotto, leggere il presente manuale e conservarlo per consultazione successiva.

Per maggiori informazioni relative a prodotti, parti di ricambio e servizi Invacare, visitare il sito www.invacare.com



Yes, you can.

AVVERTENZA

NON utilizzare questo prodotto o qualsiasi altro apparecchio opzionale disponibile senza aver prima letto per intero e aver compreso queste istruzioni ed eventuale altro materiale informativo quali i manuali per l'utente, i manuali di manutenzione o i fogli di istruzioni forniti con questo prodotto o con l'apparecchio opzionale. Se non si comprendono le avvertenze, i messaggi di attenzione o le istruzioni, rivolgersi a un operatore sanitario, rivenditore o tecnico qualificato prima di provare a utilizzare questa apparecchiatura. In caso contrario, possono verificarsi lesioni o da.

AVVERTENZA SUGLI ACCESSORI

I prodotti Invacare sono specificamente progettati e fabbricati per essere utilizzati insieme agli accessori Invacare. Gli accessori progettati da altri costruttori non sono stati testati da Invacare e pertanto se ne sconsiglia l'utilizzo con i prodotti Invacare.

ACCESSORI

Con questo dispositivo è possibile utilizzare molti tipi diversi di umidificatori, tubi dell'ossigeno, cannule e maschere. Rivolgersi al proprio fornitore di apparecchiature per la cura a domicilio per suggerimenti sui dispositivi più adatti in ogni caso specifico. Verranno fornite informazioni sull'utilizzo adeguato, la manutenzione e la pulizia.

NOTA: Versioni aggiornate di questo manuale sono reperibili sul sito www.invacare.com.

INDICE

ACCESSORI	66
NOTE SPECIALI	68
POSIZIONE DELLE ETICHETTE	70
SEZIONE 1—INDICAZIONI GENERALI	71
Interferenze a radiofrequenza	73
SEZIONE 2—CARATTERISTICHE	75
SEZIONE 3—MANEGGIO	76
Disimballaggio.....	76
Ispezione.....	76
Conservazione	76
SEZIONE 4—DESCRIZIONE TECNICA	77
SEZIONE 5—PARAMETRI TIPICI DEL PRODOTTO	78
SEZIONE 6—ISTRUZIONI PER L'USO	82
Introduzione	82
Scelta di una ubicazione	82
Preparazione all'uso	83
Velocità di flusso.....	86
Indicatore di purezza dell'ossigeno SensO ₂ - Modello IRC5PO2AW & IRC5PO2VAW.....	87
Avvio iniziale del concentratore	88
Spiegazione delle spie luminose - Modello IRC5PAW	89
Indicatore di tempo trascorso (contaore)	89
SEZIONE 7—MANUTENZIONE	90
Manutenzione di routine.....	90
SEZIONE 8—GUIDA ALLA RISOLUZIONE DEI PROBLEMI	93
SEZIONE 9—ACCESSORI OPZIONALI	96
INFORMAZIONI PER IL RICICLO	97
GARANZIA LIMITATA	98

NOTE SPECIALI

Le parole utilizzate in questo manuale per le segnalazioni si riferiscono a situazioni o procedure pericolose che potrebbero causare lesioni alle persone o danni alle proprietà. Per una definizione delle parole utilizzate per le segnalazioni fare riferimento alla seguente tabella.

SEGNALAZIONE	SIGNIFICATO
PERICOLO	Pericolo indica una situazione di pericolo imminente che, se non evitata, provoca il decesso o lesioni gravi.
AVVERTENZA	Avvertenza indica una situazione di potenziale pericolo che, se non evitata, potrebbe provocare il decesso o lesioni gravi.
ATTENZIONE	Attenzione indica una situazione di potenziale pericolo che, se non evitata, può provocare danni alle cose e/o lesioni non gravi.

AVVISO

Le informazioni contenute in questo documento sono soggette a variazioni senza preavviso.

PERICOLO

NON FUMARE durante l'utilizzo di questo dispositivo. **Tenere i fiammiferi, le sigarette accese o altre fonti di incendio fuori dal locale in cui è ubicato questo prodotto e lontane dal punto in cui viene erogato ossigeno.**

Mettere bene in evidenza i DIVIETI DI FUMARE. I tessuti e altri materiali che normalmente non brucerebbero si infiammano facilmente e bruciano con grande intensità in aria con alta concentrazione di ossigeno. La mancata osservanza di questa avvertenza può essere causa di gravi incendi, danni alle proprietà e lesioni fisiche o decesso.

ATTENZIONE

“Attenzione: La legislazione può limitare la vendita di questo dispositivo da parte o su prescrizione di un medico ospedaliero o di qualsiasi altro medico autorizzato dalla legislazione dell’agenzia governativa presso la quale esercita la sua attività ad utilizzare.

Invacare raccomanda di ricorrere a una fonte alternativa di ossigeno supplementare in caso di mancanza di corrente elettrica, situazione di allarme o guasto meccanico.

Consultare il proprio medico o il fornitore dell'apparecchio per informazioni sul tipo di sistema di riserva da utilizzare.

Quest’apparecchio deve essere usato come integrazione di ossigeno e non va considerato come un supporto o un sostegno vitale.

POSIZIONE DELLE ETICHETTE



SEZIONE I—INDICAZIONI GENERALI

Per garantire che il montaggio, il collegamento e il funzionamento del concentratore Perfecto₂ avvengano in condizioni di sicurezza, è essenziale **ATTENERSI** a queste istruzioni.

⚠ AVVERTENZA

Questa sezione contiene informazioni importanti per il funzionamento e l'utilizzo in sicurezza di questo prodotto.

⚠ PERICOLO

Rischio di scosse elettriche. NON smontare l'apparecchio. Per qualsiasi intervento, rivolgersi a personale qualificato. Non sono presenti parti della cui revisione tecnica debba occuparsi l'utente.

**RIDUZIONE DEL RISCHIO DI USTIONI,
ELETTROCUZIONE, INCENDIO O LESIONI
PERSONALI**

Non usare l'apparecchio quando si fa il bagno. Se il medico ha prescritto l'uso ininterrotto, il concentratore DEVE essere collocato in un'altra stanza, a una distanza di almeno 2,5 m (7 piedi) dalla vasca.

NON toccare il concentratore quando è bagnato.

NON installare o conservare l'apparecchio in una posizione in cui possa cadere in acqua o in un altro liquido.

NON toccare l'apparecchio se è caduto in acqua. Staccare IMMEDIATAMENTE la spina.

⚠ PERICOLO

Se il cavo o la spina del concentratore sono danneggiati, se il concentratore non funziona correttamente, è caduto o è stato danneggiato o è stato immerso in acqua, rivolgersi a un tecnico specializzato affinché provveda alla necessaria verifica e riparazione.

Nel caso in cui olio, grassi o sostanze unte vengano a contatto con l'ossigeno sotto pressione, è possibile che si sviluppi una combustione violenta e spontanea. Tali sostanze DEVONO essere quindi tenute lontane dal concentratore di ossigeno, dalle tubature, dalle connessioni e da qualsiasi altro apparecchio ad ossigeno. NON usare alcun lubrificante a meno che non sia espressamente consigliato da Invacare.

Evitare la creazione di qualsiasi scintilla in vicinanza dell'apparecchio, comprese quelle di origine elettrostatica create da qualsiasi tipo di attrito.

Informazioni operative

Per ottimizzare le prestazioni, Invacare consiglia di accendere e far funzionare ogni concentratore per almeno 30 minuti per volta. Periodi di funzionamento più brevi possono ridurre la durata di vita massima del prodotto.

Il tubo dell'ossigeno, il cavo e l'unità non devono essere tenuti sotto a coperte, copriletto, cuscini o capi d'abbigliamento e devono essere tenuti lontani da superfici calde o fonti di calore, quali stufe, piani di cottura e apparecchi elettrici simili.

NON tirare il cavo di alimentazione per spostare o collocare altrove il concentratore.

Non lasciare MAI cadere né inserire alcun oggetto o liquido in nessuna apertura.

Invacare raccomanda di utilizzare con questo prodotto tubi dell'ossigeno antischiacciamento di lunghezza non superiore a 15,2 m (50 piedi).

Non sono presenti parti della cui revisione tecnica debba occuparsi l'utente. Questo non riguarda i componenti da sottoporre a manutenzione ordinaria. Vedere la sezione sulla manutenzione per informazioni sui componenti della cui manutenzione deve occuparsi l'utente.

Non lasciare MAI l'apparecchio senza sorveglianza quando è sotto tensione (spina inserita). Accertarsi che Perfecto₂ sia spento, ovvero su Off, quando non viene utilizzato.

Quando l'apparecchio è usato in presenza di bambini o di persone disabili, è necessario prestare una scrupolosa attenzione.

Possono essere necessarie una maggiore attenzione o misure supplementari di controllo se il paziente che utilizza questo dispositivo non è in grado di sentire o vedere gli allarmi o di comunicare eventuale fastidio.

NON connettere il concentratore in parallelo o in serie con altri concentratori di ossigeno o altri dispositivi per la terapia a base di ossigeno.

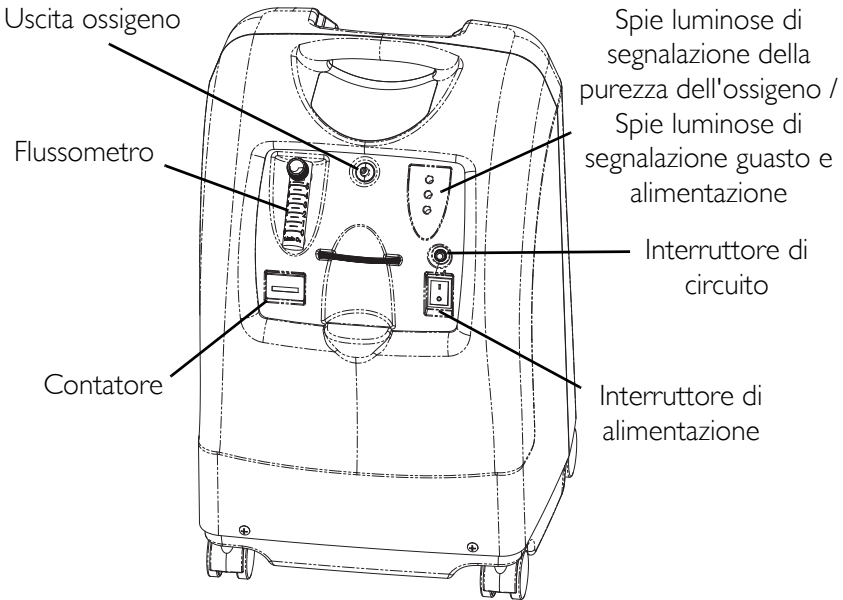
Interferenze a radiofrequenza

Il presente apparecchio è stato sottoposto a collaudo e ne è stata verificata la conformità con i limiti di compatibilità elettromagnetica specificati dalla norma IEC/EN 60601-1-2. Questi limiti sono stati elaborati per fornire una protezione ragionevole contro le interferenze elettromagnetiche di una tipica apparecchiatura medica.

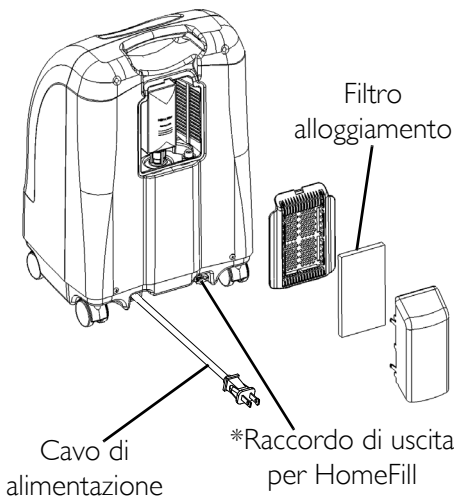
Altri dispositivi potrebbero subire interferenze perfino con i bassi livelli di emissioni elettromagnetiche consentiti dagli standard di cui sopra. Per stabilire se l'interferenza è causata da Perfecto₂, spegnere il concentratore. Se l'interferenza con l'altro o gli altri dispositivi scompare, significa che è causata da Perfecto₂. In questi rari casi, l'interferenza può essere ridotta o eliminata adottando uno dei rimedi seguenti:

- Cambiare la posizione, spostare altrove o aumentare la distanza fra gli apparecchi.
- Collegare l'apparecchio a una presa di un circuito elettrico diverso da quello che alimenta l'altro o gli altri dispositivi.

SEZIONE 2—CARATTERISTICHE



VISTA POSTERIORE



**NOTA: Questo raccordo di uscita deve essere usato solo per riempire di ossigeno i cilindri con il compressore di ossigeno HomeFill. Il raccordo di uscita non incide sulle prestazioni del concentratore. Per informazioni relative al collegamento e al funzionamento, consultare il manuale dell'utente di HomeFill, numero di parte 1145804. Quando non è utilizzata, la spina fornita con il concentratore deve essere inserita nel raccordo di uscita. Per maggiori informazioni su HomeFill, contattare il rivenditore Invacare.*

SEZIONE 3—MANEGGIO

Il concentratore deve essere tenuto **SEMPRE** in posizione verticale per evitare danni all'alloggiamento durante il trasporto.

Se il concentratore deve essere rispedito mediante un normale corriere, Invacare fornisce materiale da imballo supplementare.

Disimballaggio

NOTA: Per questa procedura, fare riferimento alla FIGURA 3.1.

1. Verificare che il cartone e il relativo contenuto non abbiano subito nessun danno evidente. Se il danno è evidente, avvisare il corriere o il rivenditore locale.
2. Rimuovere l'imballo.
3. Estrarre con cura dal cartone tutti i componenti.

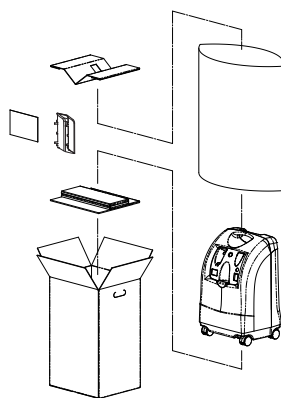


FIGURA 3.1 Disimballaggio

NOTA: Se il concentratore di ossigeno non deve essere usato IMMEDIATAMENTE, lasciarlo nel suo imballo fino a quando non si presenta la necessità di utilizzarlo.

Ispezione

1. Verificare che l'esterno del concentratore di ossigeno non presenti scheggiature, ammaccature, graffi o altri danni. Ispezionare tutti i componenti.

Conservazione

1. Conservare il concentratore all'interno del proprio imballo all'asciutto.
2. **NON** posare alcun oggetto sulla parte superiore dell'imballo del concentratore.

SEZIONE 4—DESCRIZIONE TECNICA

Il concentratore Perfecto₂ Invacare è destinato a pazienti con disfunzioni respiratorie che necessitano di ossigeno supplementare. Il dispositivo non è destinato a sostenere o garantire la sopravvivenza.








Il livello di concentrazione dell'ossigeno del gas erogato è compreso fra l'87% e il 95,6%. L'ossigeno viene somministrato al paziente mediante una cannula nasale.

Il concentratore Perfecto₂ Invacare utilizza un setaccio molecolare e un processo di assorbimento per oscillazione della pressione per produrre l'ossigeno erogato. L'aria dell'ambiente circostante entra nel dispositivo, viene filtrata e quindi compressa. Quest'aria compressa viene successivamente indirizzata verso uno dei due setacci di assorbimento dell'azoto. L'ossigeno concentrato fuoriesce dal lato opposto del setaccio attivo e viene convogliato in un serbatoio di ossigeno da cui viene somministrato al paziente.

Il concentratore Perfecto₂ Invacare può essere utilizzato dal paziente a casa o presso una struttura sanitaria. Il dispositivo funziona con un'alimentazione nominale di 230 V CA/ 50 hertz.

Le informazioni di carattere tecnico verranno fornite su richiesta esclusivamente al personale tecnico qualificato.

SEZIONE 5—PARAMETRI TIPICI DEL PRODOTTO

	Corrente alternata
	Apparecchio tipo BF
	In funzione
	Non in funzione
	Attenzione - Consultare la documentazione acclusa
	NON fumare
	Classe II, doppio isolamento
IPX1	Protetto contro il gocciolamento di acqua
Requisiti elettrici:	230 V CA \pm 10% (253 V CA/207 V CA), 50 Hz
Corrente nominale in entrata:	1,4 A
Livello acustico:	39,5 dBA in media
Altitudine:	Tutto il Perfecto2 Modella: Fino a 8.000 ft (2438 metri) al di sopra di livello del mare senza la degradazione di livelli di concentrazione. Da 8.000 ft a 13.129 (4000 metri) sotto 90% efficienza. Tutto il Perfecto2 Modella mentre riempiendo un Sistema di HomeFill: Fino a 6.000 ft (1828 metri) al di sopra di livello del mare senza la degradazione di livelli di concentrazione. Da 6.000 ft (1828 metri) a 13.129 ft (4000 metri) sotto 90% efficienza.
Livelli di concentrazione dell'erogazione di ossigeno:	87% a 95,6% a 0,5 - 5 l/min 93% \pm 3% à 2 L/min <i>NOTA: I livelli di concentrazione indicati vengono raggiunti dopo un periodo di riscaldamento iniziale (circa 30 minuti)</i>
Pressione massima in uscita:	34,5 kPa \pm 3,45 kPa (5 psi \pm 0,5 psi)



SEZIONE 5—PARAMETRI TIPICI DEL PRODOTTO

Velocità di flusso:	Da 0,5 a 5 l/min (max) Per velocità del flusso inferiori a 1 l/min, si raccomanda l'uso dell'accessorio flussometro pediatrico Invacare (IRCPFI6AW)
Allarme flusso insufficiente:	Da 0 l/min a 0,5 l/min Bip di allarme sonoro rapido (non sono collegati accessori)
Consumo medio di corrente Consumo:	Perfecto ₂ AW - 300 W @ 5 L/min, 280 W @ ≤ 3 L/min Perfecto ₂ VAW - 320 W @ 5 L/min
Meccanismo di regolazione della pressione operativo a:	241 kPa ± 24,1 kPa (35 psi ± 3,5 psi)
Variazione rispetto al flusso massimo raccomandato quando si applica una contropressione di 7 kPa:	0,7 l/min
Filtri:	Alloggiamento (2), uscita HEPA ed entrata compressore
Sistema di sicurezza:	Sovraccarico di corrente o arresto per sovratensione Arresto del compressore per temperatura elevata Allarme di alta pressione con arresto del compressore Allarme di bassa pressione con arresto del compressore Allarme per perdita di alimentazione senza batterie Allarme di flusso insufficiente del sistema di ossigeno SensO ₂ (modello SensO ₂)
Larghezza:	38,1 cm ± 1 cm (15 pollici ± 3/8 pollici)
Altezza:	58,4 cm ± 1 cm (23 pollici ± 3/8 pollici)
Profondità:	30,5 cm ± 1 cm (12 pollici ± 3/8 pollici)
Peso:	Perfecto ₂ AW - 20.5 kg ± 1 kg (45 libbre ± 2 libbre) Perfecto ₂ VAW - 18.1 kg ± 1 kg (40 libbre ± 2 libbre)
Peso di spedizione:	Perfecto ₂ AW - 22.7 kg ± 1 kg (50 libbre ± 2 libbre) Perfecto ₂ VAW - 20.4 kg ± 1 kg (45 libbre ± 2 libbre)
Ambiente operativo Temperatura:	10 °C - 35 °C (50 °F - 90 °F) con 20-60% di umidità relativa
Temperatura aria di raffreddamento di scarico:	Inferiore alla temperatura ambiente +19 °C (+35 °F)


SEZIONE 5—PARAMETRI TIPICI DEL PRODOTTO

Temperatura di erogazione ossigeno:	Inferiore alla temperatura ambiente + 2°C (+6 °F)
Alloggiamento:	Alloggiamento in plastica antifiama resistente agli urti conforme alla norma UL 94-V0
Non AP/APG	Non idoneo all'uso in presenza di una miscela anestetica infiammabile
Standard e norme:	IRC5PO2AW/IRC5PAW/IRC5PO2VAW: IEC/EN 60601-1, A1, A2 IEC/EN 60601-1-2 IEC/EN61000-3-2 IEC/EN61000-3-3 Solo modelli IRC5PO2AW/IRC5PO2VAW ISO8359 MDD 93/42/CEE, Allegati I e IX
Modelli con marchio CE	IRC5PO2AW & IRC5PO2VAW
Elettricità:	Vietato l'uso di prolunghe
Ubicazione:	Collocare a una distanza minima di 7,5 cm (3 pollici) da pareti, tende o mobili al fine di garantire una circolazione sufficiente dell'aria Evitare tappeti troppo spessi, termosifoni, riscaldatori o altri erogatori d'aria calda Collocare esclusivamente sul pavimento Non collocare in spazi chiusi (es. armadi)
Tubazione:	Cannula da 2 m (7 piedi) con tubo antischiacciamento di lunghezza massima di 15 m (50 piedi) (NON piegare)
Durata di funzionamento:	Fino a 24 ore al giorno.
Temperatura raccomandata di immagazzinamento e di spedizione:	Da -29 °C a 65 °C, con 15-95% di umidità relativa
Ambiente:	Assenza di fumo e di fuliggine. Non collocare in spazi chiusi (es. armadi)
Tempo di funzionamento minimo:	30 minuti

SPIE DEL MODELLO IRC5PO2AW & IRC5PO2VAW

SIMBOLO ETICHETTA	PUREZZA OSSIGENO	SPIE LUMINOSE (LED)
O ₂	SISTEMA OK O ₂ oltre 85% (± 2%)	Spia luminosa VERDE
	O ₂ tra 73% (± 3%) e 85% (±2%)	Spia luminosa GIALLA A. GIALLO fisso B. GIALLO lampeggiante Guasto Rivolgersi a un tecnico specializzato.
	ERRORE SISTEMA O ₂ inferiore al 73% (± 3%)	Spia luminosa ROSSA Allarme sonoro continuo Arresto del compressore Sieve-GARD

SPIE DEL MODELLO IRC5PAW

SIMBOLO ETICHETTA	STATO	SPIE LUMINOSE (LED)
I/O	SISTEMA OK	Spia luminosa VERDE
	ERRORE SISTEMA	Spia luminosa ROSSA Allarme sonoro continuo Arresto del compressore Sieve-GARD™ Arresto Rivolgersi a un tecnico specializzato

SEZIONE 6—ISTRUZIONI PER L'USO

Introduzione

Il concentratore di ossigeno è destinato a un utilizzo individuale. Si tratta di un dispositivo elettronico che separa l'ossigeno dall'aria ambiente fornendo al paziente ossigeno ad alta concentrazione tramite una cannula nasale. Studi clinici hanno dimostrato che i concentratori di ossigeno equivalgono a livello terapeutico ad altri sistemi di erogazione di ossigeno.

Richiedere al proprio rivenditore di effettuare una dimostrazione dell'uso del concentratore e di rispondere ad eventuali domande. Questo manuale per l'utente illustra le caratteristiche del concentratore e se ne raccomanda la consultazione per un utilizzo ottimale dell'apparecchio.

Scelta di una ubicazione

AVVERTENZA

NON bloccare MAI le bocchette dell'aria del concentratore e non posizionarlo mai su una superficie morbida, come un letto o un divano, che possa impedire l'entrata dell'aria. Mantenere le aperture del concentratore libere da ogni eventuale ostruzione (peli, capelli, ecc.).

Mantenere l'apparecchio ad almeno 7,5 cm da pareti, tende, mobili, ecc.

Scegliere una camera in cui l'utilizzo del concentratore risulti il più pratico possibile. Il concentratore può essere spostato facilmente da una camera all'altra grazie alle apposite rotelle.

Il concentratore di ossigeno fornisce prestazioni ottimali se utilizzato in presenza delle condizioni dettagliate nei Parametri tipici del prodotto a pagina 78. L'uso in condizioni diverse da quelle descritte può determinare un aumento della manutenzione richiesta. La presa di aria dell'apparecchio deve trovarsi in una zona ben ventilata in modo da evitare vapori e/o sostanze inquinanti sospese nell'aria. NON utilizzarlo in uno sgabuzzino.

Preparazione all'uso

1. Inserire il cavo di alimentazione in una presa elettrica.
2. Connettere l'umidificatore (se prescritto)

AVVERTENZA

NON superare il livello indicato.

NON invertire le connessioni di entrata ed uscita dell'ossigeno. L'acqua deve fluire dal flacone dell'umidificatore tramite la cannula fino al paziente.

NOTA: Per questa procedura, fare riferimento a FIGURA 6.1 e FIGURA 6.2 a pagina 84 e a FIGURA 6.3 a pagina 85.

1. Rimuovere il tappo del flacone.
2. Riempire l'umidificatore con acqua distillata fino al livello indicato dal fabbricante. Riporre il tappo dell'umidificatore e stringere bene.



FIGURA 6.1 Riempimento dell'umidificatore

3. Inserire un cacciavite a testa piatta nella scanalatura della piastra sul bordo superiore dello sportello di accesso al filtro e far leva con delicatezza sullo sportello (FIGURA 6.2).
4. Tirare verso l'alto e rimuovere l'adattatore del flacone dell'umidificatore (FIGURA 6.2).
5. Rimettere a posto lo sportello di accesso al filtro e montare su di esso la presa d'aria dinamica inserendo le sei linguette presenti sulla presa nei sei intagli presenti sui lati dello sportello di accesso al filtro.

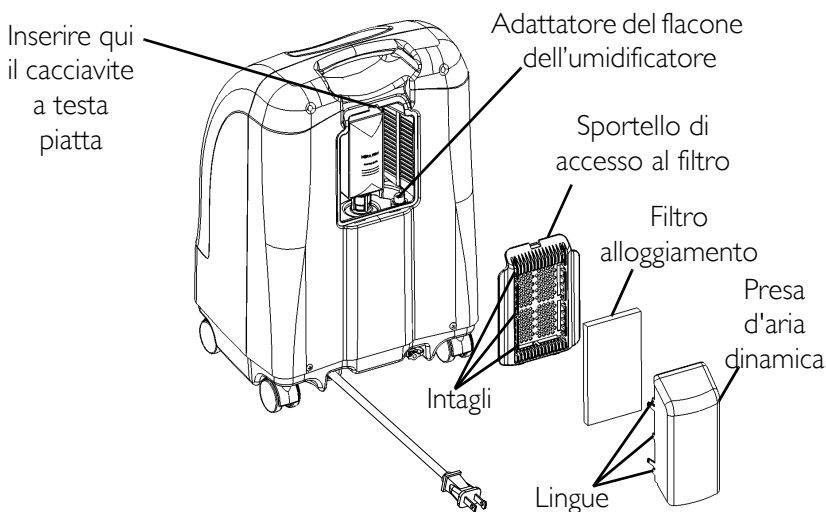
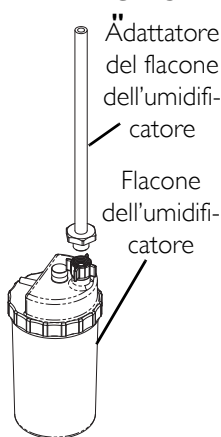


FIGURA 6.2 Adattatore del flacone dell'umidificatore

6. Applicare l'adattatore del flacone dell'umidificatore al flacone stesso ruotando in senso antiorario su di esso il dado ad alette fino a fissarlo saldamente. Vedere il Dettaglio "A" nella FIGURA 6.3.
7. Collocare il gruppo flacone dell'umidificatore/adattatore nello scomparto dell'umidificatore sul concentratore. Vedere il Dettaglio "B" nella FIGURA 6.3.
8. Collegare il tubo dell'ossigeno proveniente da gruppo flacone dell'umidificatore/adattatore al connettore di uscita dell'ossigeno sul concentratore. Vedere il Dettaglio "B" nella FIGURA 6.3.
9. Collegare la cannula/il tubo di erogazione al paziente all'uscita del flacone dell'umidificatore. Vedere il Dettaglio "B" nella FIGURA 6.3.
10. Accertarsi che l'ossigeno passi nella cannula.

DETTAGLIO "A"



DETTAGLIO "B"



FIGURA 6.3 Scomparto dell'umidificatore

Interruttore di alimentazione

NOTE: Per questa procedura, fare riferimento alla FIGURA 6.4.

1. Posizionare l'interruttore di alimentazione su On. Per un secondo tutte le spie si illuminano e l'allarme acustico risuona per indicare che l'apparecchio funziona correttamente.

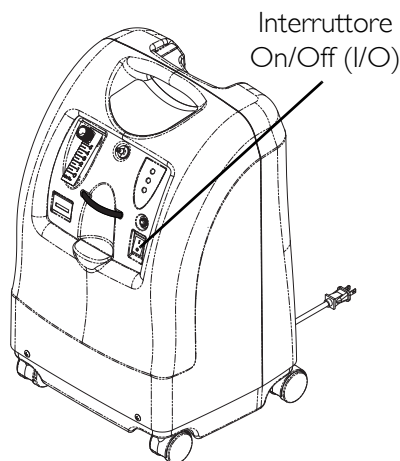


FIGURA 6.4 Interruttore di alimentazione

Velocità di flusso

NOTA: Per questa procedura, fare riferimento alla FIGURA 6.5.

NOTA: Fare attenzione a non regolare l'erogazione al di sopra del livello ROSSO. Una velocità del flusso di ossigeno superiore a 5 l/min comporta una riduzione della concentrazione dell'ossigeno.

1. Ruotare la manopola della velocità di flusso sul valore prescritto dal medico o dal terapeuta.

⚠ AVVERTENZA

NON modificare sul flussometro la regolazione l/min senza prescrizione medica.

NOTA: Per leggere correttamente il flussometro, indentificare la riga della velocità di flusso prescritta. Ruotare quindi la manopola fino a quando la sfera non viene a trovarsi sulla riga. Portare infine la sfera sulla riga l/min desiderata.

2. Se la velocità del flusso scende al di sotto di 0,5 l/min per oltre un minuto, scatta l'allarme di FLUSSO INSUFFICIENTE, costituito da un allarme sonoro a rapida emissione di bip. Controllare che il tubo o altri accessori non siano bloccati o eventualmente piegati e che il flacone dell'umidificatore non sia difettoso. Una volta ripristinato un flusso corretto (superiore a 0,5 l/min), l'allarme sonoro di FLUSSO INSUFFICIENTE scompare.

NOTA: L'uso di determinati accessori come il compressore HomeFill disattiva l'allarme di flusso insufficiente.

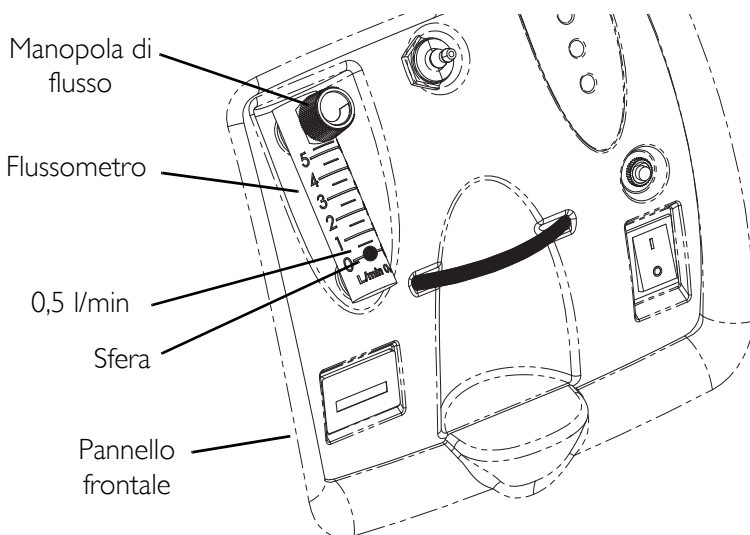


FIGURA 6.5 Velocità di flusso

Indicatore di purezza dell'ossigeno SensO₂ - Modello IRC5PO2AW & IRC5PO2VAW

Questa funzione tiene sotto controllo la purezza dell'ossigeno generato dal concentratore. Se la purezza scende al di sotto del valore prefissato in fabbrica, si illumina un'apposita spia sul quadro di comando.

Avvio iniziale del concentratore

NOTA: il concentratore può essere usato durante il riscaldamento iniziale (30 min circa) mentre si aspetta che la purezza dell' O₂ raggiunga il massimo livello.

Quando si accende l'apparecchio, si illumina la spia verde (SISTEMA OK / O₂ superiore all'85%). Dopo 5 minuti, il sensore dell'ossigeno funziona normalmente e controlla le spie in funzione ai valori di concentrazione di ossigeno.

Spiegazione delle spie luminose di segnalazione della purezza dell'ossigeno - Modello IRC5PO2AW & IRC5PO2VAW

NOTA: Per questa procedura, fare riferimento alla FIGURA 6.6 a pagina 89.

Spia VERDE (O₂) - Funzionamento normale.

Spia GIALLA (⚠) - Chiamare immediatamente il fornitore. Si può continuare ad usare il concentratore salvo istruzioni contrarie del fornitore. Accertarsi di avere a portata di mano dell'ossigeno di emergenza.

Spia ROSSA (⛔) - Arresto totale dell'apparecchio. Passare immediatamente alla fonte di ossigeno di emergenza e chiamare il fornitore.

Spia VERDE - con spia GIALLA lampeggiante - Chiamare immediatamente il fornitore. Sensore dell'ossigeno guasto, ma si può continuare a usare il concentratore.

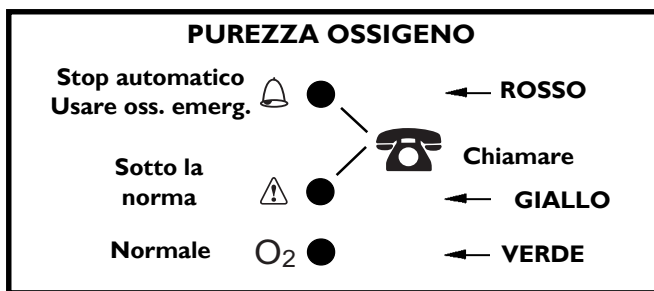


FIGURA 6.6 Spiegazione delle spie luminose di segnalazione della purezza dell'ossigeno - Modello IRC5PO2AW & IRC5PO2VAW

Spiegazione delle spie luminose - Modello IRC5PAW

NOTA: Per questa procedura, fare riferimento alla FIGURA 6.7.

Spiegazione delle spie luminose del modello IRC5PAW

Spia ROSSA (🔔) - Arresto totale dell'apparecchio. Passare immediatamente a una fonte di ossigeno di emergenza e chiamare il fornitore.

Spia VERDE (I/O) - On/Off. Sistema OK.

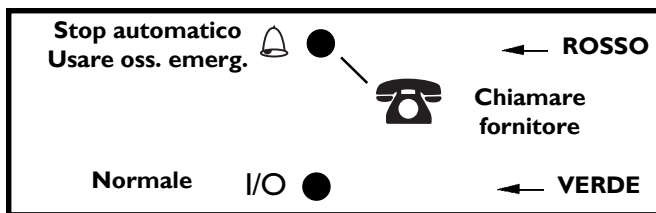


FIGURA 6.7 Spiegazione delle spie luminose - Modello IRC5PAW

Indicatore di tempo trascorso (contaore)

Il contatore visualizza il numero totale di ore di funzionamento dell'apparecchio.

SEZIONE 7—MANUTENZIONE

⚠ AVVERTENZA

I concentratori Invacare sono specificamente progettati per ridurre al minimo gli interventi di manutenzione preventiva di routine. La manutenzione preventiva del concentratore deve essere eseguita esclusivamente da personale qualificato.

Scollegare il concentratore prima di pulirlo. Per evitare scosse elettriche, NON rimuovere l'alloggiamento.

NOTA: La manutenzione preventiva DEVE essere effettuata almeno secondo le linee guida del registro di manutenzione. In sedi di installazione con elevate livelli di polvere o fuliggine, potrebbero essere necessari interventi di manutenzione più frequenti. Fare riferimento Verbale di manutenzione preventiva a pagina 92.

Manutenzione di routine

La seguente manutenzione di routine deve essere eseguita con maggiore frequenza. Vedere gli intervalli raccomandati in ciascuna sezione e Verbale di manutenzione preventiva a pagina 92.

Pulizia del filtro dell'alloggiamento

ATTENZIONE

NON usare il concentratore senza il filtro installato.

NOTA: Per questa procedura, fare riferimento alla FIGURA 7.1 a pagina 91.

NOTA: C'è un filtro ubicato sul retro dell'alloggiamento.

1. Ispezionare il filtro una volta al mese. Rimuoverlo e pulirlo secondo necessità.

NOTA: Le condizioni ambientali che possono rendere necessari intervalli più ravvicinati di ispezione e pulizia del filtro comprendono, a titolo esemplificativo: forte presenza di polvere, inquinanti atmosferici, ecc.

2. Pulire il filtro dell'alloggiamento con un aspirapolvere o lavarlo con acqua calda saponata e sciacquarlo accuratamente.
3. Asciugare completamente il filtro prima di rimontarlo.

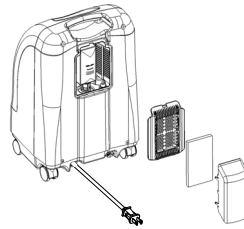
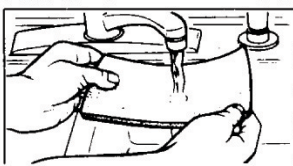


FIGURA 7.1 Pulizia del filtro dell'alloggiamento

Pulizia dell'alloggiamento

1. Pulire l'alloggiamento con un detergente delicato e con un panno o una spugna non abrasiva.

Pulizia dell'umidificatore

NOTA: Per pulire l'umidificatore dell'ossigeno, seguire le istruzioni fornite dal fabbricante o. Se non si dispone delle stesse, procedere come SEGUE:

1. Pulire l'umidificatore ogni giorno.
2. Lavarlo con acqua e sapone e sciacquarlo con una soluzione di dieci parti d'acqua e una di aceto.
3. Sciacquare accuratamente con acqua calda e riempirlo di nuovo con acqua distillata fino al livello indicato sull'umidificatore.



VERBALE DI MANUTENZIONE PREVENTIVA

Yes, you can!

A OGNI ISPEZIONE													
Data dell'intervento													
Registrare le ore trascorse indicate sul contatore													
Pulire i filtri dell'alloggiamento													
Controllare la velocità di flusso prescritta (l/min)													
OGNI 4.380 ORE													
Controllare la concentrazione di ossigeno (UNITÀ SENZA SensO ₂)													
OGNI 26.280 ORE O OGNI 3 ANNI, QUALUNQUE CONDIZIONE SI VERIFICHÌ PER PRIMA													
Controllare la concentrazione di ossigeno (UNITÀ CON SensO ₂)													
DURANTE IL PROGRAMMA DI MANUTENZIONE PREVENTIVA O TRA UN PAZIENTE E L'ALTRO													
Pulire/Sostituire i filtri dell'alloggiamento													
Controllare il filtro di uscita HEPA*													
Controllare il filtro di ingresso del compressore*													
Controllare l'allarme di perdita dell'alimentazione.													
SE NECESSARIO													
Pulire lo scambiatore di calore													
Sostituire il silenziatore del sistema di scarico													
Revisionare a fondo il compressore sul lato superiore													

*NOTA: Consultare il capitolo sulla manutenzione preventiva del manuale di assistenza.

4.380 ore corrispondono ad un uso continuato durante 6 mesi, 7 giorni alla settimana, 24 ore al giorno
26.280 ore corrispondono ad un uso continuato durante 3 anni, 7 giorni alla settimana, le 24 ore.

FIGURA 7.2 Verbale di manutenzione preventiva

SEZIONE 8—GUIDA ALLA RISOLUZIONE DEI PROBLEMI

SINTOMO:	CAUSA PROBABILE:	SOLUZIONE:
<p>Allarme:</p> <p>Bip brevi con lunga pausa</p> <p>Il concentratore non funziona. Interruttore su On</p> <p>Bip.....Bip.....</p>	<p>Perdita di corrente:</p> <p>1. Cavo di alimentazione NON inserito.</p> <p>2. Mancanza di corrente sulla presa.</p> <p>3. Interruttore di circuito scattato.</p>	<p>1. Inserire la spina nella presa.</p> <p>2. Ispezionare gli interruttori di circuito e i fusibili. Se il problema si ripresenta, usare una presa diversa.</p> <p>3. Premere/Resettare l'interruttore di circuito. Se il problema si ripete, chiamare la società che fornisce assistenza.</p>
<p>Allarme:</p> <p>Continuo</p> <p>Il concentratore non funziona. Interruttore su On</p> <p>Bi.....Bi.....</p>	<p>Errore sistema:</p> <p>1. Surriscaldamento dovuto a ostruzione sull'entrata dell'aria.</p> <p>2. Corrente insufficiente nella presa.</p> <p>3. Necessaria una riparazione interna.</p>	<p>1a. Rimuovere e pulire i filtri dell'alloggiamento.</p> <p>1b. Collocare il concentratore di ossigeno a una distanza di almeno tre pollici da pareti, tende o mobili.</p> <p>2. NON usare prolunghe. Usare un'altra presa elettrica o un altro circuito.</p> <p>3. Chiamare il servizio di assistenza.</p>

SINTOMO:	CAUSA PROBABILE:	SOLUZIONE:
<p>Spia GIALLA o ROSSA accesa</p> <p>Allarme: Continuo Solo sulla spia ROSSA</p> <p>* Riguarda soltanto i modelli IRC5PO2AW & IRC5PO2VAW</p>	<p>1. Scarsa purezza dell'ossigeno*.</p> <p>2. Tubo, cannula o umidificatore schiacciati o bloccati*.</p> <p>3. Flussometro impostato su 0,5 l/min *.</p> <p>4. Surriscaldamento dovuto a ostruzione sull'entrata dell'aria.</p> <p>5. Corrente insufficiente nella presa.</p> <p>6. Necessaria una riparazione interna.</p>	<p>1. Pulire o sostituire i filtri.</p> <p>2. Verificare che non ci siano schiacciamenti o blocchi. Correggere, pulire o sostituire il componente. Spegnerne per 60 secondi e riaccendere.</p> <p>3. Verificare che il flussometro sia impostato su 1 l/min o più. Refer to <u>Parametri tipici del prodotto</u> on page 78.</p> <p>4a. Rimuovere e pulire i filtri dell'alloggiamento. 4b. Collocare il concentratore a una distanza di almeno tre pollici da pareti, tende e mobili.</p> <p>5. NON usare prolunghe. Usare un'altra presa elettrica o un altro circuito.</p> <p>6. Chiamare il servizio di assistenza.</p>
<p>Spia VERDE con spia GIALLA lampeggiante</p>	<p>1. Necessaria una riparazione interna.</p>	<p>1. Chiamare il servizio di assistenza.</p>

SINTOMO:	CAUSA PROBABILE:	SOLUZIONE:
<p>Allarme:</p> <p>Rapido</p> <p>Bip... Bip...</p> <p>Bip... Bip...</p>	<p>ALLARME FLUSSO INSUFFICIENTE</p> <p>1. Tubo, cannula o umidificatore schiacciati o bloccati.</p> <p>2. Flussometro impostato su 0,5 l/min.</p>	<p>1. Verificare che non ci siano schiacciamenti o blocchi. Correggere, pulire o sostituire il componente. Spegnerne per 60 secondi e riaccendere.</p> <p>2. Le velocità di flusso inferiori a 1 l/min non sono raccomandate.</p>

SEZIONE 9—ACCESSORI OPZIONALI

Sono disponibili anche i seguenti accessori opzionali:

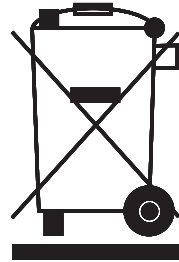
- Cannula nasale standard per adulti, 2,1 m (7 piedi) - M3120
- Umidificatore standard - M5120
- Accessorio flussometro/umidificatore pediatrico PreciseRX™ - IRCPF16AW
- Compressore per ossigeno domiciliare HomeFill - IOH200AW

INFORMAZIONI PER IL RICICLO

Questo prodotto è stato fornito dal fabbricante nel rispetto dell'ambiente e in conformità alla direttiva 2002/96/CE sui rifiuti di apparecchiature elettriche ed elettroniche (RAEE).

Questo prodotto potrebbe contenere delle sostanze nocive all'ambiente se smaltite in maniera non corretta o lasciate in punti di raccolta non appropriati e non conformi a quanto previsto dalla legislazione.

Il simbolo del "contenitore di spazzatura barrato" riportato sul prodotto invita al riciclaggio ovunque sia possibile.



Si invita al rispetto dell'ambiente riciclando il prodotto al termine del ciclo di vita presso apposite strutture di raccolta.

GARANZIA LIMITATA

Belgium & Luxemburg:

Invacare nv, Autobaan 22, B-8210 Loppem
Tel: (32) (0) 50 83 10 10
Fax: (32) (0) 50 83 10 11
belgium@invacare.com

Danmark:

Invacare A/S, Sdr. Ringvej 37, DK-2605
Brøndby
Tel: (45) (0)36 90 00 00
Fax: (45) (0)36 90 00 01
denmark@invacare.com

Deutschland:

Invacare Aquatec GmbH,
Alemanenstraße 10, D-88316 Isny
Tel: (49) (0)75 62 7 00 0
Fax: (49) (0)75 62 7 00 66
info@invacare-aquatec.com

European Distributor Organisation:

Invacare, Kleiststraße 49, D-32457 Porta
Westfalica
Tel: (49) (0)57 31 754 540
Fax: (49) (0)57 31 754 541
edo@invacare.com

España:

Invacare SA, c/Areny s/n, Polígon
Industrial de Celrà, E-17460 Celrà (Girona)
Tel: (34) (0)972 49 32 00
Fax: (34) (0)972 49 32 20
contactsp@invacare.com

France:

Invacare Poirier SAS, Route de St Roch,
F-37230 Fondettes
Tel: (33) (0)2 47 62 64 66
Fax: (33) (0)2 47 42 12 24
contactfr@invacare.com

Switzerland:

Invacare AG,
Benkenstrasse 260, CH-4108 Witterswil
Tel: (41) (0)61 487 70 80
Fax: (41) (0)61 487 70 81
switzerland@invacare.com

Ireland:

Invacare Ireland Ltd, Unit 5 Seatown
Business Campus,
Seatown Road, Swords, County Dublin –
Ireland
Tel: (353) 1 810 7084
Fax: (353) 1 810 7085
ireland@invacare.com

Italia:

Invacare Mecc San s.r.l., Via dei Pini 62,
I-36016 Thiene (VI)
Tel: (39) 0445 38 00 59
Fax: (39) 0445 38 00 34
italia@invacare.com

Nederland:

Invacare BV, Celsiusstraat 46, NL-6716 BZ
Ede
Tel: (31) (0)318 695 757
Fax: (31) (0)318 695 758
nederland@invacare.com
csede@invacare.com

Norge:

Invacare AS, Grensesvingen 9, Postboks
6230, Etterstad, N-0603 Oslo
Tel: (47) (0)22 57 95 00
Fax: (47) (0)22 57 95 01
norway@invacare.com
island@invacare.com

Österreich:

Invacare Austria GmbH, Herzog
Odiolstrasse 101, A-5310 Mondsee
Tel: (43) 6232 5535 0
Fax: (43) 6232 5535 4
info@invacare-austria.com

Sverige & Suomi:

Invacare AB, Fagerstagatan 9,
S-163 91 Spånga
Tel: (46) (0)8 761 70 90
Fax: (46) (0)8 761 81 08
sweden@invacare.com
finland@invacare.com

United Kingdom:

Invacare Limited, Pencoed Technology
Park, Pencoed, Bridgend CF35 5HZ
Tel: (44) (0) 1656 776200
Fax: (44) (0) 1656 776201
Customer Services:
Tel: (44) (0) 1656 776222
Fax: (44) (0) 1656 776220
UK@invacare.com

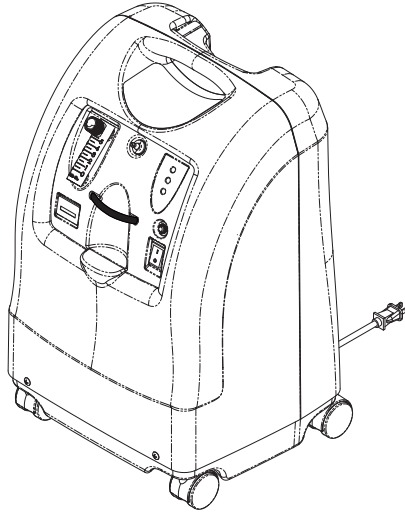
Portugal:

Invacare Lda,
Rua Estrada Velha, 949, P-4465-784 Leça do
Balio
Tel: (351) (0)225 1059 46/47
Fax: (351) (0)225 1057 39
portugal@invacare.com

Benutzerhandbuch

Perfecto₂™ Series

Sauerstoffkonzentratoren mit SensO₂
HomeFill®-kompatibel



Modell IRC5PO2AW
Modell IRC5PO2VAW

Modell IRC5PAW

Händler: Dieses Handbuch MUSS dem Endbenutzer übergeben werden.

Benutzer: Lesen Sie bitte VOR Verwendung dieses Produktes dieses Handbuch und bewahren Sie es für den weiteren Gebrauch auf.



**Weitere Informationen zu Produkten,
Teilen und Serviceleistungen von Invacare
erhalten Sie unter www.invacare.de**



Yes, you can.®

WARNUNG

Verwenden Sie dieses Produkt oder irgendein verfügbares Sonderzubehör NICHT, ohne zuvor diese Anweisungen, sowie alle anderen Bedienungsunterlagen, wie das Benutzerhandbuch, das Wartungshandbuch oder die zusammen mit diesem Produkt oder dem Sonderzubehör gelieferten Hinweisblätter vollständig gelesen und verstanden zu haben. Wenn Sie die Warnhinweise, Vorsichtshinweise oder Anweisungen nicht verstehen, wenden Sie sich an medizinisches Fachpersonal, einen Fachhändler oder an qualifiziertes technisches Personal, bevor Sie dieses Produkt in Betrieb nehmen – ansonsten kann es zu Verletzungen oder Sachbeschädigungen kommen.

ZUBEHÖR-WARNUNG

Die Produkte von Invacare werden speziell für den Gebrauch mit Invacare-Zubehör entwickelt und hergestellt. Von anderen Herstellern entworfenen Zubehör wurde von Invacare nicht getestet und wird daher nicht für die Verwendung mit Produkten von Invacare empfohlen.

ZUBEHÖR

Dieses Gerät kann mit zahlreichen unterschiedlichen Typen von Atemluftbefeuchtern, Sauerstoffschläuchen, Kanülen und Masken betrieben werden. Sie sollten in Ihrem lokalen Fachhandel erfragen, welche dieser Geräte sich am besten für Sie eignen. Dort werden Sie auch Informationen über die richtige Anwendung, Wartung und Reinigung erhalten.

HINWEIS: Aktualisierte Versionen dieses Handbuchs finden Sie unter www.invacare.com.

INHALTSVERZEICHNIS

ZUBEHÖR	100
BESONDERE HINWEISE	102
PLATZIERUNG DES AUFKLEBERS	104
ABSCHNITT 1—ALLGEMEINE RICHTLINIEN	105
Hochfrequenzstörungen.....	107
ABSCHNITT 2— LEISTUNGSMERKMALE	108
ABSCHNITT 3—UMGANG MIT DEM GERÄT	109
Auspacken.....	109
Überprüfung.....	109
Lagerung	110
ABSCHNITT 4—TECHNISCHE BESCHREIBUNG . 	
ABSCHNITT 5—TECHNISCHE DATEN	112
ABSCHNITT 6—BEDIENUNGSANLEITUNG	116
Einführung	116
Standortwahl	116
Inbetriebnahme.....	117
Flussrate.....	120
Anzeige Sauerstoffreinheit SensO ₂ - Modell IRC5PO2AW & IRC5PO2VAW	121
Inbetriebnahme des Konzentrators.....	122
Beschreibung Anzeigeleuchten - Modell IRC5PAW	123
Betriebsstundenzähler.....	123
ABSCHNITT 7—WARTUNG	124
Routine-Wartung.....	124
ABSCHNITT 8—ANLEITUNG ZUR FEHLERSUCHE	127
ABSCHNITT 9—ALS OPTION ERHÄLTliches ZUBEHÖR	130
RECYCLINGHINWEISE	131
EINGESCHRÄNKTE GARANTIE	132

BESONDERE HINWEISE

In dieser Anleitung werden Signalwörter verwendet, welche Gefahren oder unsichere Vorgehensweisen, welche Verletzungen und Beschädigungen hervorrufen können, kennzeichnen. Die Definitionen der Signalwörter finden Sie in der folgenden Tabelle.

SIGNALWORT	BEDEUTUNG
GEFAHR	Bezeichnet eine unmittelbar gefährliche Situation, die, wenn sie nicht vermieden wird, zu schweren oder tödlichen Verletzungen führt.
WARNUNG	Bezeichnet eine potenziell gefährliche Situation, die, wenn sie nicht vermieden wird, zu schweren oder tödlichen Verletzungen führen kann.
VORSICHT	Bezeichnet eine potenziell gefährliche Situation, die, wenn sie nicht vermieden wird, zu Sachschäden oder geringfügigen Verletzungen oder beidem führen kann.

HINWEIS

Die in diesem Dokument enthaltenen Informationen können ohne Ankündigung verändert werden.

GEFAHR

Den Benutzern ist das **RAUCHEN** während der Verwendung dieses Produkts **UNTERSAGT**. Sorgen Sie dafür, dass keine Streichhölzer, brennenden Zigaretten oder andere Zündquellen in den Raum gelangen, in dem sich das Produkt befindet und halten Sie diese fern von Orten, an denen Sauerstoff austritt.

⚠ GEFÄHR

Schilder mit der Aufschrift RAUCHEN VERBOTEN sollten deutlich sichtbar angebracht werden. Textilien und andere Materialien, die normalerweise nicht brennen würden, werden in mit Sauerstoff angereicherter Luft leicht entzündet und brennen mit großer Intensität. Die Missachtung dieser Warnung kann zu schweren Bränden und Sachschäden führen sowie körperliche Verletzungen oder den Tod verursachen.

VORSICHT

„Vorsicht: Gesetzlich kann der Erwerb dieses Geräts auf den Verkauf an einen Arzt oder auf dessen Anordnung bzw. an jede/n andere/n Fachmann/frau eingeschränkt sein, gemäß den jeweils geltenden gesetzlichen Vorschriften, unter denen er/sie praktiziert.“

Invacare empfiehlt für den Fall eines Stromausfalls, eines Alarmzustands oder eines technischen Fehlers, eine alternative Quelle zur zusätzlichen Sauerstoffversorgung vorzuhalten. Konsultieren Sie Ihren Arzt oder Händler hinsichtlich der nötigen Eigenschaften eines Reservesystems.

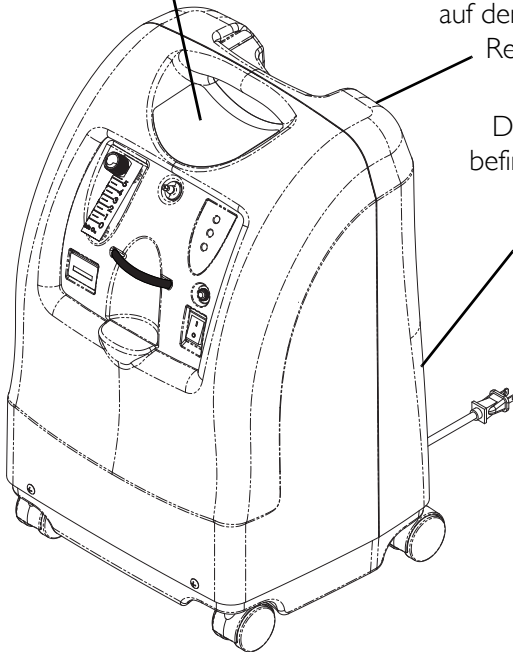
Dieses Gerät ist als Sauerstoffergänzung zu verwenden und wird nicht als lebensunterstützend oder lebenserhaltend betrachtet.

PLATZIERUNG DES AUFKLEBERS

Perfecto₂™

FÜR BEDIENUNGSANWEISUNGEN oder ALARMMELDUNGEN (siehe Bedienerhandbuch)

- ⚠ ACHTUNG - BRANDGEFAHR
RAUCHEN VERBOTEN - Halten Sie ALLE möglichen Quellen von Funken von dem Raum, in dem sich dieses Produkt befindet und Bereichen, in denen Sauerstoff angeliefert wird, fern. Stoffe, Öle und andere Brennstoffe sind leicht entzündlich und brennen in einer mit Sauerstoff angereicherten Luft mit großer Intensität.
- ⚠ ACHTUNG - GEFAHR EINES STROMSCHLAGS
Entfernen Sie NICHT die Abdeckung. Wartungsarbeiten dürfen nur von qualifiziertem Servicepersonal durchgeführt werden.
- ⚠ Bei Durchflussraten unter 0,5 l/min wird ein Niedrig-Fluss-Alarm ausgelöst (schnelles akustisches Alarmsignal).
- ⚠ Stellen Sie den Durchflussregler auf 2,5 l/min oder weniger ein, wenn Sie HomeFill® Druckflaschen befüllen.
HomeFill®
Kompatibel



Das Etikett mit der
Seriennummer befindet sich
auf dem Einlass des
Resonators

Das Typenschild
befindet sich auf der
Rückseite, in
Bodennähe

ABSCHNITT I—ALLGEMEINE RICHTLINIEN

Um eine sichere Installation, den Zusammenbau und den Betrieb des Perfecto₂ Konzentrators zu gewährleisten, MÜSSEN diese Anweisungen befolgt werden.

⚠️ WARNUNG

Dieses Kapitel enthält wichtige Informationen für den sicheren Betrieb und die sichere Verwendung dieses Produkts.

⚠️ GEFAHR

Gefahr eines Stromschlags. Das Gerät NICHT auseinander nehmen. Wartungsarbeiten dürfen nur von qualifiziertem Servicepersonal durchgeführt werden. Keine durch den Benutzer zu wartenden Teile.

REDUZIERUNG DES RISIKOS VON VERBRENNUNGEN, STROMSCHLÄGEN, BRÄNDEN ODER KÖRPERVERLETZUNGEN.

Nicht beim Baden verwenden. Bei ärztlich vorgeschriebener kontinuierlicher Verwendung, MUSS der Konzentrator in einem anderen Raum, mindestens 2,5 m (7 Fuß) von der Badewanne entfernt stehen.

Den Konzentrator im nassen Zustand NICHT berühren.

Gerät NICHT an einem Ort aufstellen bzw. aufbewahren, wo es in Wasser oder eine andere Flüssigkeit fallen kann.

NICHT nach einem Gerät greifen, das ins Wasser gefallen ist. SOFORT den Stecker aus der Steckdose ziehen.

Wenn am Konzentrator ein Kabel oder ein Stecker beschädigt ist, wenn der Konzentrator nicht ordnungsgemäß arbeitet, wenn der Konzentrator fallen gelassen oder beschädigt wurde oder ins Wasser gefallen ist, muss qualifiziertes Servicepersonal zur Überprüfung und ggf. Reparatur benachrichtigt werden.

⚠ GEFAHR

Eine spontane und heftige Entzündung kann eintreten, falls Öl, Schmiermittel oder Fettstoffe in Kontakt mit unter Druck stehendem Sauerstoff kommen. Diese Stoffe **MÜSSEN** von Sauerstoffkonzentrator, Schläuchen und Anschlüssen sowie allen anderen Sauerstoffgeräten fern gehalten werden. **KEINE** Schmiermittel, Öle etc verwenden, es sei denn, dies wird von Invacare ausdrücklich empfohlen.

Jegliche Funkenbildung in der Nähe medizinischer Sauerstoffgeräte vermeiden. Hierzu gehören auch Funken, die durch statische Elektrizität (Reibung) entstehen.

Betriebsinformationen

Invacare empfiehlt für eine optimale Leistung, dass jeder Konzentrator mindestens jeweils 30 Minuten laufen sollte. Kürzere Betriebszeiten können die maximale Nutzungsdauer des Produkts reduzieren.

Die Sauerstoffschläuche, Kabel sowie das Gerät nicht mit Gegenständen, wie Wolldecken, Betbezügen, Stuhlkissen oder Kleidungsstücken bedecken und von heißen oder beheizten Oberflächen, wie Heizöfen, Herdplatten u. ä. elektrischen Geräten fernhalten.

Den Konzentrator **NICHT** durch Ziehen am Netzkabel bewegen oder verschieben.

NIE irgendwelche Gegenstände oder Flüssigkeiten in Öffnungen des Gerätes einführen, bzw. eindringen lassen.

Invacare empfiehlt die Verwendung knicksicherer Sauerstoffschläuche mit einer max. Länge von 15,2 m (50 Fuß) zusammen mit diesem Produkt.

Keine durch den Benutzer zu wartenden Teile. Ausgenommen sind Objekte, die der gewöhnlichen Wartung unterliegen. Für die durch den Benutzer zu wartenden Objekte, siehe Kapitel "Wartung".

Am Netz angeschlossene Geräte sollten NIEMALS aus den Augen gelassen werden. Stellen Sie sicher, dass der Perfecto₂ ausgeschaltet ist, wenn er nicht verwendet wird.

Strenge Aufsicht ist erforderlich, wenn dieses Produkt in der Nähe von Kindern oder körperbehinderten Personen verwendet wird.

Bei Patienten, die Alarmhinweise nicht sehen oder hören oder ihr Unbehagen nicht mitteilen können, kann bei der Verwendung dieses Gerätes zusätzliche Überwachung oder Aufmerksamkeit notwendig sein.

Den Konzentrator NICHT parallel oder in Reihe mit anderen Sauerstoffkonzentratoren oder Sauerstofftherapiegeräten schalten.

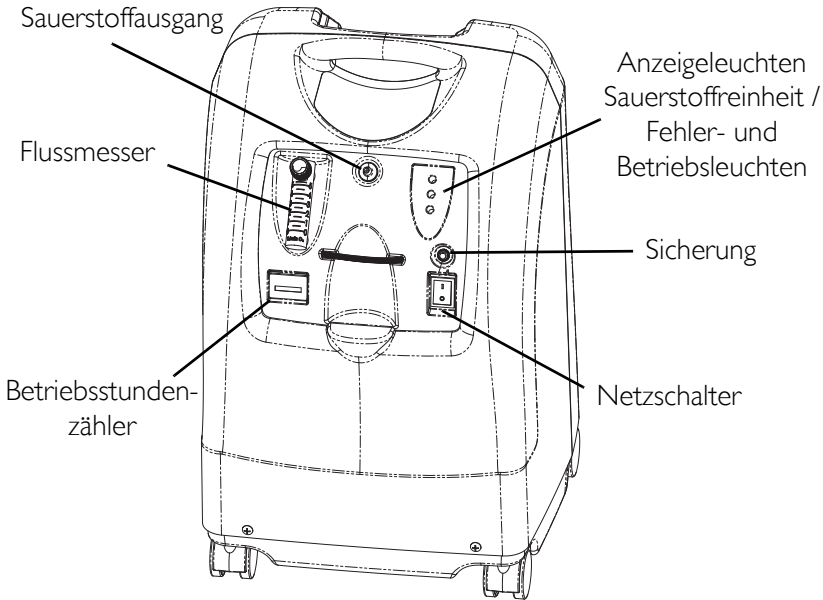
Hochfrequenzstörungen

Dieses Gerät wurde getestet und im Einklang mit den EMV-Richtlinien IEC/EN 60601-1-2 für geeignet befunden. Diese Grenzwerte bieten einen angemessenen Schutz gegen elektromagnetische Störungen bei einer typischen medizinischen Anwendung.

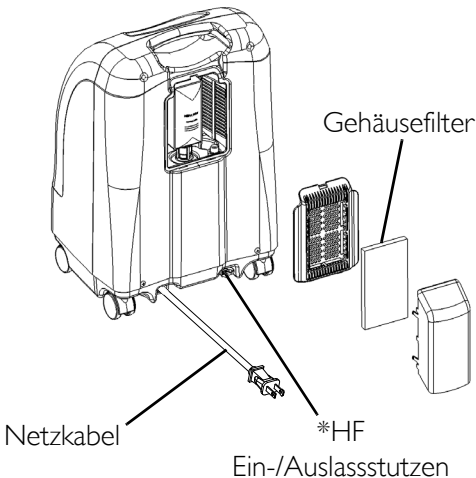
An anderen Geräten kann es unter Umständen auch bei elektromagnetischen Strahlungen, die die oben genannten Standards nicht überschreiten, zu Störungen kommen. Schalten Sie den Perfecto₂ aus, um festzustellen, ob die Strahlungen des Perfecto₂ Störungen hervorrufen. Sollten Störungen an einem anderen Gerät/anderen Geräten aufhören, so verursacht der Perfecto₂ diese Störung. In einigen wenigen Fällen, kann die Störung durch eine der folgenden Maßnahmen behoben oder eingedämmt werden:

- Umstellen, Versetzen oder Vergrößern des Abstands zwischen den Geräten.
- Anschluss des Geräts an eine Steckdose oder einen Stromkreislauf, der von dem des anderen Gerätes/der anderen Geräte getrennt ist.

ABSCHNITT 2— LEISTUNGSMERKMALE



RÜCKANSICHT



**HINWEIS: Dieser Ausgangsanschluss ist nur für die Befüllung von Sauerstoffflaschen mit dem HomeFill Sauerstoffkompressor zu verwenden. Der Ausgangsanschluss beeinflusst die Konzentratorleistung nicht. Anweisungen hinsichtlich Anschluss und Betrieb befinden sich im Benutzerhandbuch des HomeFill, Artikelnummer 1145804. Bei Nichtgebrauch sollte der mit dem Konzentrator gelieferte Stopfen in den Ausgangsanschluss gesteckt werden. Kontaktieren Sie Ihren Invacare-Händler für weitere Informationen zum HomeFill.*

ABSCHNITT 3—UMGANG MIT DEM GERÄT

Der Konzentrator sollte **IMMER** aufrecht transportiert werden, um das Gehäuse während des Transports nicht zu beschädigen.

Wird der Konzentrator auf gewöhnlichem Versandweg verschickt, sind bei Invacare zusätzliche Kartons erhältlich.

Auspacken

*HINWEIS: Für dieses Verfahren, siehe **ABBILDUNG 3.1**.*

1. Überprüfen, ob der Karton oder sein Inhalt offensichtliche Schäden aufweist. Bei sichtbaren Beschädigungen, den Transporteur oder Ihren Händler benachrichtigen.
2. Das gesamte lose Verpackungsmaterial vom Karton entfernen.
3. Alle Einzelteile vorsichtig aus dem Karton herausnehmen.

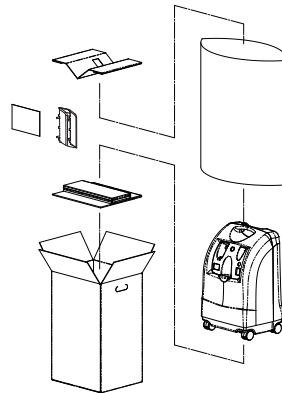


ABBILDUNG 3.1
Auspacken

*HINWEIS: Lassen Sie den Sauerstoffkonzentrator solange in der Verpackung, bis der Einsatz des Konzentrators **ERFORDERLICH** wird.*

Überprüfung

1. Das Äußere des Sauerstoffkonzentrators auf Einkerbungen, Dellen, Kratzer oder sonstige Beschädigungen untersuchen. Alle Teile prüfen.

Lagerung

1. Den wieder verpackten Sauerstoffkonzentrator in einem trockenen Bereich lagern.
2. KEINE anderen Gegenstände auf die Oberseite des wieder verpackten Konzentrators legen.

ABSCHNITT 4—TECHNISCHE BESCHREIBUNG

Der Invacare Perfecto₂ Konzentrator ist zur Verwendung bestimmt durch Patienten mit Atemwegstörungen, die eine zusätzliche Sauerstoffversorgung benötigen. Das Gerät ist nicht als lebenserhaltend oder lebensunterstützend gedacht.








Die Sauerstoffkonzentration des ausfließenden Gases schwankt zwischen 87% und 95,6%. Der Sauerstoff wird dem Patienten durch die Verwendung einer Nasenkanüle zugeführt.

Der Invacare Perfecto₂ Konzentrator verwendet zur Produktion des Sauerstoffgases ein Molekularsieb und das Druckwechseladsorptionsverfahren. Umgebungsluft tritt in das Gerät ein, wird gefiltert und dann komprimiert. Die komprimierte Luft wird dann in eines der beiden Stickstoffadsorbierenden Siebbetten geleitet. Konzentrierter Sauerstoff tritt am anderen Ende des aktiven Siebbetts aus und wird in ein Sauerstoffreservoir geführt, von wo aus der dem Patienten zugeführt wird.

Der Invacare Perfecto₂ Konzentrator kann durch den Patienten in heimischer Umgebung oder in einer medizinischen Einrichtung verwendet werden. Das Gerät arbeitet mit normaler Netzspannung von 230 V/50 Hertz.

Auf Anfrage werden Wartungsinformationen ausschließlich an qualifiziertes technisches Personal ausgehändigt.

ABSCHNITT 5—TECHNISCHE DATEN

	Wechselspannung
	Vollisoliert, Schutzklasse BF
	Ein
	Aus
	Achtung! Begleitpapiere beachten
	Rauchen verboten
	Doppelt isoliert, Klasse II
IPX1	Gegen Spritzwasser geschützt
Elektrische Anforderungen:	230 VAC \pm 10% (253 VAC/207 VAC), 50 Hz
Nennstromaufnahme:	1,4 A
Schallpegel:	39,5 dBA (DIN EN ISO 8359), 37 dBA (MDS-Hi)
Höhenlage:	Alle Perfecto2 Entwirft: Bis zu 8.000 Ft (2438 Meter) über Meeresspiegel ohne Abbau von Konzentrationshöhen. Von 8.000 Ft zu 13.129 (4000 Meter) unter 90 % Wirkungsgrad Alle Perfecto2 Entwirft beim Füllen von eines HomeFill System: Bis zu 6.000 Ft (1828 Meter) über Meeresspiegel ohne Abbau von Konzentrationshöhen. Von 6.000 Ft (1828 Meter) zu 13.129 Ft (4000 Meter) unter 90 % Wirkungsgrad
Sauerstoffleistungskonzentrationsniveaus:	87% bis 95.6% bei 0,5 bis 5 l/min 93% \pm 3% @ 2 L/min <i>HINWEIS: Die angegebenen Konzentrationsniveaus wurden nach einer Betriebsdauer von ca. 30 Min. erreicht.</i>
Maximaler Ausgangsdruck:	34,5 kPa \pm 3,45 kPa (5 psi \pm 0,5 psi)



ABSCHNITT 5—TECHNISCHE DATEN

Durchflussbereich:	0,5 bis 5 l/min (Maximum) Bei Flussraten unter 1 l/min, empfehlen wir die Verwendung des Invacare Kinder-Befeuchter/ Durchflussregler Zubehörs (IRCPF16AW)
Niedrig-Fluss-Alarm:	0 l/min bis 0,5 l/min Schneller Signalton (Kein Zubehör angeschlossen)
Durchschnittlicher Stromverbrauch Stromverbrauchverbr auch:	Perfecto ₂ AW - 300 W @ 5 L/min, 280 W @ ≤ 3 L/min Perfecto ₂ VAW - 320 W @ 5 L/min
Druckentlastung wirksam bei:	241 kPa ± 24,1 kPa (35 psi ± 3,5 psi)
Verringerung der maximal zulässigen Flussrate unter einem Gegendruck von 7 kPa:	0.7 l/min
Filter:	Gehäuse, Auslass-HEPA und Kompressoreinlass
Sicherheitssystem:	Überspannungs - oder Stromschutzabschaltung Abschaltung des Kompressors bei Überhitzung Alarm und Abschaltung des Kompressors bei Überdruck Alarm und Abschaltung des Kompressors bei Unterdruck Batteriefreier Netzausfall-Alarm. SensO ₂ Sauerstoffsystem (ModellSensO ₂) Niedrig-Fluss-Alarm
Breite:	38,1 cm ± 1 cm (15 Zoll ± 3/8 Zoll)
Höhe:	58,4 cm ± 1 cm (23 Zoll ± 3/8 Zoll)
Tiefe:	30,5 cm ± 1 cm (12 Zoll ± 3/8 Zoll)
Gewicht:	Perfecto ₂ AW - 20.5 kg ± 1 kg (45 lbs ± 2 lbs) Perfecto ₂ VAW - 18.1 kg ± 1 kg (40 lbs ± 2 lbs)
Versandgewicht:	Perfecto ₂ AW - 22.7 kg ± 1 kg (50 lbs ± 2 lbs) Perfecto ₂ VAW - 20.4 kg ± 1 kg (45 lbs ± 2 lbs)
Umgebungstemperatur Temperatur:	10°C – 35°C bei 20 – 60% relativer Luftfeuchtigkeit
Kühlluftauslass:	Geringer als Umgebung +19 °C
Sauerstoffauslass:	Geringer als Umgebung +3°C
Gehäuse:	Stoßfestes, flamm-hemmendes Kunststoffgehäuse entsprechend UL 94-V0

ABSCHNITT 5—TECHNISCHE DATEN

Kein AP/APG	Nicht geeignet für den Einsatz in Gegenwart brennbarer anästhetischer Mischungen.
Standards und Behördliche Zulassung:	IRC5PO2AW/IRC5PAW/IRC5PO2VAW: IEC/EN 60601-1, A1, A2 IEC/EN 60601-1-2 IEC/EN61000-3-2 IEC/EN61000-3-3, Nur IRC5PO2AW/IRC5PO2VAW Modell ISO8359 MDD 93/42/EEC, Anhang I und IX
Modelle mit CE-Marke	IRC5PO2AW & IRC5PO2VAW
Elektrik:	Kein Verlängerungskabel verwendbar
Standort:	Das Gerät mindestens 7,5 cm (3 Zoll) von Wänden, Vorhängen, Möbeln und Ähnlichem entfernt aufstellen, um ausreichende Belüftung zu gewährleisten Tiefe Florteppiche und Heizgeräte, Heizkörper oder Heizlüfter vermeide Nur Bodenaufstellung Keine abgeschlossenen Räume (Beispiel: Keine Wandschränke)
Schlauch:	2,1 m Kanüle mit einem maximal 15,2 m langen stauchfesten Schlauch (NICHT quetschen).
Betriebszeit:	Bis zu 24 Stunden pro Tag.
Empfohlene Lager- und Versandtemperatur:	-29°C bis 65°C (-20°F bis 150°F) bei 15-95% relativer Luftfeuchtigkeit.
Umgebung:	Rauch- und rußfrei Keine abgeschlossenen Räume (Beispiel: Keine Wandschränke)
Minimale Betriebszeit:	30 Minuten

IRC5PO2AW & IRC5PO2VAW ANZEIGEN

BEZEICHNUNGS- SYMBOL	SAUERST- OFFREINHEIT	ANZEIGELEUCHTEN (LED)
O ₂	SYSTEM OKAY O ₂ über 85% (± 2%)	GRÜNES Licht
	O ₂ zwischen 73% (± 3%) und 85% (±2%)	GELBES Licht A. GELB Dauernd leuchtend B. GELB blinkender Sensor Ausfall Qualifizierten Techniker rufen.
	SYSTEMAUSFALL O ₂ unter 73% (± 3%)	ROTES Licht Kontinuierlicher akustischer Alarm Sieve-GARD Abschaltung des Kompressors

IRC5PAW ANZEIGEN

BEZEICHNUNGS- SYMBOL	SAUERST- OFFREINHEIT	ANZEIGELEUCHTEN (LED)
I/O	SYSTEM OKAY	GRÜNES Licht
	SYSTEMAUSFALL	ROTES Licht Kontinuierlicher akustischer Alarm Sieve-GARD™ Ausschaltung des Kompressors Qualifizierten Techniker rufen

ABSCHNITT 6— BEDIENUNGSANLEITUNG

Einführung

Ihr Sauerstoffkonzentrator ist für die individuelle Verwendung bestimmt. Er ist ein elektronisch betriebenes Gerät, das Sauerstoff von der Raumluft trennt. Dieses Gerät liefert über eine Nasenkanüle hohe Konzentrationen von Sauerstoff direkt an den Benutzer. Klinische Studien haben dokumentiert, dass Sauerstoffkonzentratoren mit anderen Sauerstoffzuführungssystemen therapeutisch äquivalent sind.

Ihr Händler wird Sie in die Verwendung des Sauerstoffkonzentrators einweisen. Sie sollten sich bei Fragen oder Problemen hinsichtlich des Sauerstoffkonzentrators an Ihren Händler wenden. Dieses Bedienungshandbuch wird Sie über Ihren Konzentrator informieren und Ihnen bei der Benutzung Ihres Konzentrators als Nachschlagewerk dienen.

Standortwahl

⚠️ WARNUNG

NIEMALS die Luftöffnungen des Geräts blockieren oder das Gerät auf eine weiche Oberfläche stellen, wie zum Beispiel ein Bett oder ein Sofa, wo die Luftöffnungen blockiert werden können. Die Öffnungen frei von Fusseln, Haaren und Ähnlichem halten.

Das Gerät mindestens 7,5 cm (3 Zoll) von Wänden, Vorhängen, Möbeln und Ähnlichem entfernt aufstellen.

Einen Raum auswählen, der sich am besten für die Verwendung des Sauerstoffkonzentrators eignet. Der Konzentrator kann auf seinen Rollen problemlos von Zimmer zu Zimmer gerollt werden.

Ihr Sauerstoffkonzentrator arbeitet am besten, wenn er unter den Bedingungen betrieben wird, wie sie in TECHNISCHE DATEN auf Seite 112 beschrieben sind. Andernfalls kann eine erhöhte Wartung des Geräts erforderlich sein. Der Lufteintritt des Geräts sollte sich in einem gut belüfteten Bereich von Luftverschmutzung und/oder Dämpfen entfernt befinden. Verwenden Sie das Gerät nicht in Einbau-/Wandschränken.

Inbetriebnahme

1. Das Netzkabel in eine Steckdose stecken.
2. Befeuchter anschließen (sofern verschrieben)

WARNUNG

Befeuchter NICHT überfüllen.

NICHT die Sauerstoffeinlass- und Sauerstoffauslassverbindungen vertauschen. Das Wasser aus der Befeuchterflasche wird durch die Kanüle zurück zum Patienten strömen.

HINWEIS: Nähere Angaben zu diesem Verfahren finden Sie in ABBILDUNG 6.1, ABBILDUNG 6.2 auf Seite 118 und ABBILDUNG 6.3 auf Seite 119.

1. Deckel von der Flasche abnehmen.
2. Den Befeuchter mit destilliertem Wasser bis zu der vom Hersteller angegebenen Marke befüllen. Den Befeuchterdeckel wieder aufsetzen und fest zuschrauben.



ABBILDUNG 6.1 Auffüllen des Befeuchters

3. Einen Schraubendreher in den Öffnungsschlitz am oberen Rand der Filterzugangstür stecken und die Filterzugangstür behutsam aufhebeln (ABBILDUNG 6.2).
4. Befeuchter-Adapterschlauch nach oben ziehen und entnehmen (ABBILDUNG 6.2).
5. Die Filterzugangstür wieder einsetzen und die Lufthaube durch Einsetzen der sechs Zapfen auf der Lufthaube in die sechs Buchsen an den Seiten der Filterzugangstür einbauen.

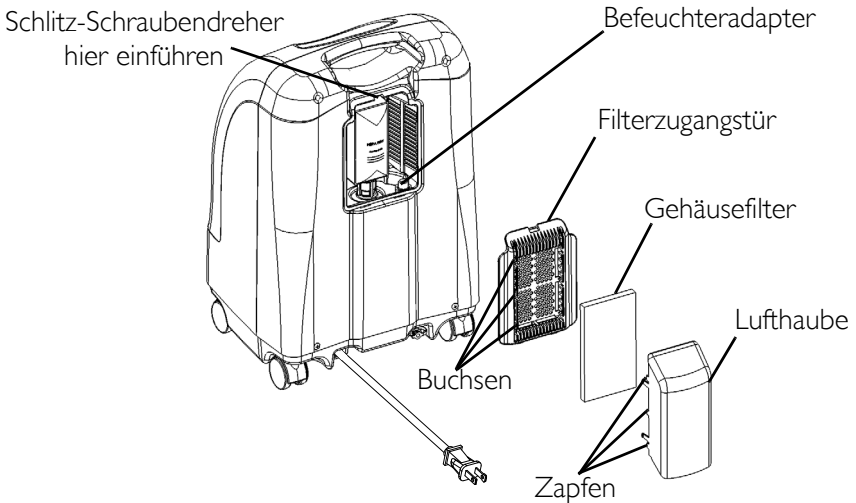


ABBILDUNG 6.2 Befeuchteradapter

6. Befeuchteradapter durch drehen der Flügelmutter an der Befeuchterflasche im Uhrzeigersinn an die Befeuchterflasche anbringen, bis dieser fest sitzt. Siehe Detail "A" von ABBILDUNG 6.3.
7. Befeuchterflasche/-adaptereinheit ins Befeuchterfach im Konzentrator einsetzen. Siehe Detail "B" von ABBILDUNG 6.3.
8. Sauerstoffschläuche der Befeuchterflasche/-adaptereinheit an den Sauerstoffauslassverbinder am Konzentrator anschließen. Siehe Detail "B" von ABBILDUNG 6.3.
9. Kanüle/Patientenversorgungsschlauch am Auslass der Befeuchterflasche anbringen. Siehe Detail "B" von ABBILDUNG 6.3.
10. Nach der Montage sicherstellen, dass Sauerstoff durch die Kanüle fließt.

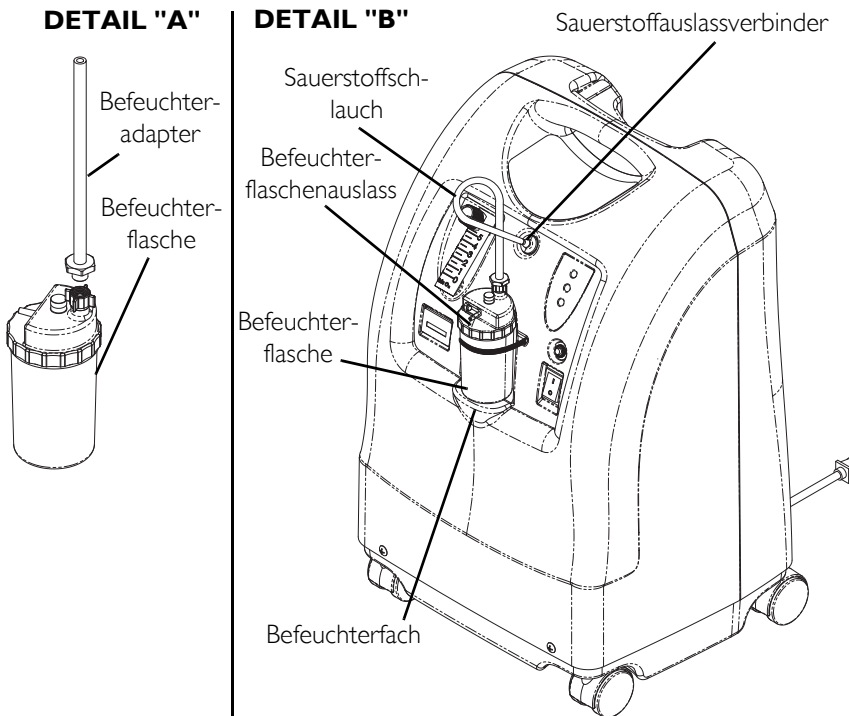


ABBILDUNG 6.3 Befeuchterfach

Netzschalter

HINWEIS: Für dieses Verfahren, siehe ABBILDUNG 6.4.

1. Den Netzschalter auf die Position EIN stellen. Alle Leuchten am Bedienfeld und der akustische Alarm reagieren eine Sekunde lang, was anzeigt, dass das Gerät ordnungsgemäß funktioniert.

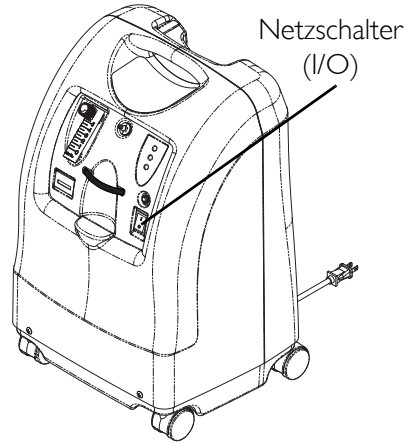


ABBILDUNG 6.4
Netzschalter

Flussrate

HINWEIS: Für dieses Verfahren, siehe ABBILDUNG 6.5.

HINWEIS: Darauf achten, dass die Anzeige des Flussmessers niemals über dem ROTEN Ring steht. Ein Sauerstofffluss über 5 l/min führt zu verminderter Sauerstoffkonzentration.

1. Den Knopf für die Flussrate bis zu der vom Arzt oder Therapeuten verschriebenen Einstellung drehen.

⚠ WARNUNG

Die Einstellung „l/min“ auf dem Flussmesser NUR DANN ändern, wenn vom Arzt oder Therapeuten eine Veränderung verordnet wurde.

HINWEIS: Zunächst die Linie der vorgeschriebenen Flussrate auf dem Flussmesser ermitteln. Danach den Knopf für die Flussrate drehen, bis sich die Kugel auf Höhe der entsprechenden Linie befindet. Die Kugel nun auf der verschriebenen Linie (l/min) zentrieren.

- Wenn die Flussrate auf dem Flussmesser jemals für mehr als eine Minute unter 0,5 l/min fällt, wird der NIEDRIG-FLUSS-Alarm ausgelöst. Dabei erklingt der akustische Alarm in schneller Folge. Leitungen und Zubehör auf blockierte oder geknickte Schläuche oder eine defekte Befeuchterflasche prüfen. Nachdem der Nennfluss (über 0,5 l/min) wiederhergestellt ist, verstummt der akustische NIEDRIG-FLUSS-Alarm.

HINWEIS: Die Verwendung einiger Zubehörteile, wie beispielsweise des pädiatrischen Zusatz-Flussmessers und des Kompressors HomeFill, deaktiviert den Niedrig-Fluss-Alarm.

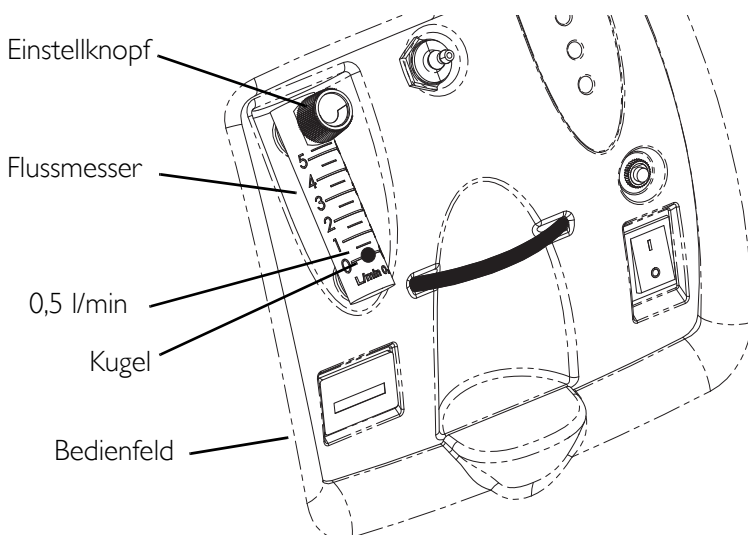


ABBILDUNG 6.5 Flussrate

Anzeige Sauerstoffreinheit SensO₂ - Modell IRC5PO2AW & IRC5PO2VAW

Mit dieser Funktion wird die Reinheit des durch den Sauerstoffkonzentrator erzeugten Sauerstoffs überwacht. Wenn die Reinheit unter die vom Hersteller eingestellten Werte fällt, leuchten die Anzeigen auf dem Bedienfeld entsprechend auf.

Inbetriebnahme des Konzentrators

HINWEIS: Der Konzentrator kann in der Anlaufzeit (ungefähr 30 min.) benutzt werden, während die O₂-Reinheit ihren Maximalwert erreicht.

Wenn das Gerät eingeschaltet wird, leuchtet die GRÜNE Anzeige (SYSTEM IN ORDNUNG/O₂ höher als 85 %) auf. Nach 5 Minuten arbeitet der Sauerstoffsensoren normal und steuert die Anzeigeleuchten in Abhängigkeit von den Sauerstoffkonzentrationswerten.

Beschreibung Anzeigeleuchten Sauerstoffreinheit - Modell IRC5PO2AW & IRC5PO2VAW

HINWEIS: Für dieses Verfahren, siehe ABBILDUNG 6.6 auf Seite 123.

GRÜNE Leuchte (O₂) – Normalbetrieb.

GELBE Leuchte (⚠) – Unverzüglich Händler kontaktieren. Der Konzentrator kann weiterhin benutzt werden, sofern der Händler keine anderen Anweisungen erteilt. Dafür sorgen, dass die Sauerstoffreserve griffbereit ist.

ROTE Leuchte (⛔) – Komplette Abschaltung des Geräts. Unverzüglich auf Reserve-Sauerstoffversorgung schalten und Händler kontaktieren.

GRÜNE Leuchte – mit blinkender GELBER Anzeige - Unverzüglich Händler kontaktieren. Funktionsstörung des Sauerstoffsensors. Der Konzentrator kann weiterhin benutzt werden.

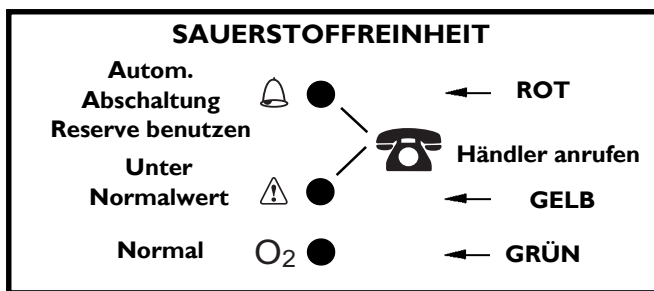


ABBILDUNG 6.6 Beschreibung Anzeigeleuchten Sauerstoffreinheit - Modell IRC5PO2AW & IRC5PO2VAW

Beschreibung Anzeigeleuchten - Modell IRC5PAW

HINWEIS: Für dieses Verfahren, siehe ABBILDUNG 6.7.

Modell IRC5PAW - Beschreibung Anzeigeleuchten

ROTE Leuchte (⚠) – Komplette Abschaltung des Geräts. Unverzüglich auf Reserve-Sauerstoffversorgung schalten und Händler kontaktieren.

GRÜNE Leuchte (I/O) – Ein/Aus. System in Ordnung.

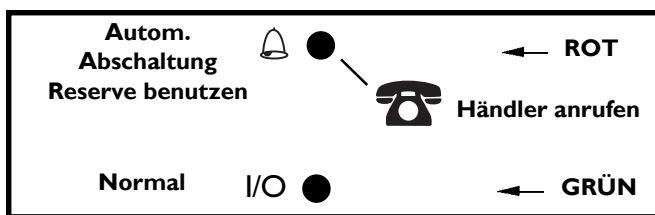


ABBILDUNG 6.7 Beschreibung Anzeigeleuchten - Modell IRC5PAW

Betriebsstundenzähler

Der Betriebsstundenzähler zeigt die kumulierte Zeit an, die das Gerät in Betrieb war.

ABSCHNITT 7—WARTUNG

WARNUNG

Die Invacare-Konzentratoren wurden speziell so entwickelt, um vorbeugende Routinewartung zu vermindern. Nur qualifiziertes Personal sollte am Konzentrator vorbeugende Wartung durchführen.

Konzentrator-Netzkabel vor der Reinigung aus der Steckdose ausstecken. Um einen Stromschlag zu vermeiden, das Gehäuse NICHT entfernen.

HINWEIS: Die vorbeugende Wartung MUSS mindestens den Wartungsrichtlinien entsprechend durchgeführt werden. In einer Umgebung mit viel Staub und Ruß können Wartungsarbeiten u. U. öfter erforderlich sein. Siehe Aufzeichnungen über vorbeugene Wartung auf Seite 126.

Routine-Wartung

Folgende Routine-Wartungsmaßnahmen sollten häufiger durchgeführt werden. Siehe die empfohlenen Wartungsintervalle in Abschnitt und Aufzeichnungen über vorbeugene Wartung auf Seite 126.

Reinigung der Gehäusefilter

VORSICHT

Den Konzentrator NICHT ohne eingesetzte Filter betreiben.

HINWEIS: Für dieses Verfahren, siehe ABBILDUNG 7.1 on page 125.

HINWEIS: Auf der Rückseite des Gehäuses befindet sich ein Gehäuse-Filter.

1. Überprüfen Sie den Filter jeden Monat. Entnehmen Sie den Filter und reinigen Sie diesen je nach Bedarf.

HINWEIS: Umgebungsbedingungen, aufgrund derer die Überprüfung und Reinigung des Filters in kürzeren Abständen notwendig werden können, umfassen unter anderen: Hohe Staubbelastung, Luftverschmutzung, usw.

2. Den Filter vor dem Wiedereinbau restlos trocknen.

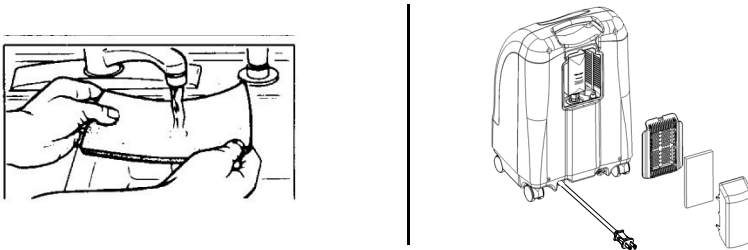


ABBILDUNG 7.1 Reinigung der Gehäusefilter

Reinigung des Gehäuses

1. Das Gehäuse mit einem milden Haushaltsreiniger und einem abriebfreien Tuch oder Schwamm reinigen.

Reinigung des Befeuchters

HINWEIS: Zur Reinigung des Befeuchters die vom Verordner zur Verfügung gestellten Anweisungen befolgen. Falls keine Anweisungen vorliegen, die nachstehenden SCHRITTE durchführen:

1. Den Befeuchter jeden Tag reinigen.
2. Den Befeuchter mit Seifenwasser waschen und mit einer Lösung aus 10 Teilen Wasser und 1 Teil Essig ausspülen.
3. Gründlich mit heißem Wasser ausspülen und wieder mit destilliertem Wasser bis zu der am Befeuchter angegebenen Marke befüllen.



AUFZEICHNUNGEN ÜBER VORBEUGENE WARTUNG

Modell Nr. IRC _____ Seriennr. _____

BEI JEDER INSPEKTION		Yes, you can:											
Datum der Wartung notieren													
Betriebsstunden protokollieren													
Gehäusefilter reinigen													
Verschriebene Flussrate (l/min) prüfen													
ALLE 4.380 STUNDEN													
Sauerstoffkonzentration prüfen (EINHEITEN OHNE SensO ₂)													
ALLE 26.280 BETRIEBSSTUNDEN ODER ALLE 3 JAHRE, JE NACHDEM WAS ZUERST EINTRIT													
Sauerstoffkonzentration prüfen (EINHEITEN MIT SensO ₂)													
WÄHREND DER VORBEUGENDEN WARTUNG ODER ZWISCHEN PATIENTEN													
Gehäusefilter reinigen/ersetzen													
HEPA-Auslassfilter prüfen*													
Kompressor-Einlassfilter prüfen*													
Netztaustall-Alarm prüfen													
NACH BEDARF													
Wärmetauscher reinigen													
Ausschalldämpfer ersetzen													
Kompressordeckel und Ventile ersetzen													

*HINWEIS: Siehe Abschnitt „Vorbeugende Wartung“ im Service-Handbuch.

HINWEIS:

4.380 Betriebsstunden entsprechen einem täglichen Rund-um-die-Uhr-Einsatz von 6 Monaten.
26.280 Betriebsstunden entsprechen einem täglichen Rund-um-die-Uhr-Einsatz von 3 Jahren.

ABBILDUNG 7.2 Aufzeichnungen über vorbeugene Wartung

ABSCHNITT 8—ANLEITUNG ZUR FEHLERSUCHE

SYMPTOM:	MÖGLICHE URSACHE:	LÖSUNG:
<p>Alarm:</p> <p>Kurze Pieptöne, lange Pause</p> <p>Konzentrator funktioniert nicht, Netzschalter ein.</p> <p>Piep.....Piep.....</p>	<p>Netzausfall:</p> <p>1. Netzkabel nicht in Steckdose eingesteckt.</p> <p>2. Kein Strom an der Steckdose.</p> <p>3. Stromunterbrecher ausgelöst.</p>	<p>1. Netzkabelstecker in die Steckdose stecken.</p> <p>2. Die Sicherungen im Haus prüfen. Wenn das Problem erneut auftritt, eine andere Steckdose verwenden.</p> <p>3. Stromunterbrecher drücken/zurückstellen. Wenn das Problem erneut auftritt, Kundendienst anrufen.</p>
<p>Alarm:</p> <p>Dauerton</p> <p>Konzentrator funktioniert nicht, Netzschalter ein.</p> <p>Piiiiiiiiiiiiiep....</p>	<p>Systemversagen:</p> <p>1. Überhitzung des Geräts wegen blockierten Lufteinlasses.</p> <p>2. Ungenügende Spannung an der Steckdose.</p> <p>3. Interne Reparaturen erforderlich.</p>	<p>1a. Die Gehäusefilter herausnehmen und reinigen.</p> <p>1b. Konzentratorabstand zu Wänden, Vorhängen und Möbeln auf mindestens 10 cm erhöhen.</p> <p>2. KEINE Verlängerungskabel verwenden. Andere Steckdose oder anderen Stromkreis verwenden.</p> <p>3. Den Kundendienst anrufen.</p>

SYMPTOM:	MÖGLICHE URSACHE:	LÖSUNG:
<p>GELBE oder ROTE Anzeige leuchtet</p> <p>Alarm: Dauerton Nur ROTE Leuchte an.</p> <p>* Gilt nur für Modell IRC5PO2AW & IRC5PO2VAW.</p>	<p>1. Geringe Sauerstoffreinheit.*</p> <p>2. Knick bzw. Blockierung in Schlauch, Kanüle oder Befeuchter.*</p> <p>3. Flussmesser auf 0,5 l/min eingestellt *.</p> <p>4. Überhitzung des Geräts wegen blockierten Lufteinlasses.</p> <p>5. Ungenügende Spannung an der Steckdose.</p> <p>6. Interne Reparaturen erforderlich.</p>	<p>1. Die Filter reinigen oder auswechseln.</p> <p>2. Auf Knicke oder Blockierungen untersuchen. Das entsprechende Teil korrigieren, reinigen oder ersetzen. Nach erfolgter Korrektur das Gerät 60 Sekunden lang ausschalten und dann wieder einschalten.</p> <p>3. Bestätigen, dass der Flussmesser auf mindestens 1,0 l/min eingestellt ist. Siehe <u>TECHNISCHE DATEN</u> auf Seite 112.</p> <p>4a. Die Gehäusefilter herausnehmen und reinigen. 4b. Konzentratorabstand zu Wänden, Vorhängen und Möbeln auf mindestens 10 cm erhöhen.</p> <p>5. KEINE Verlängerungskabel verwenden. Andere Steckdose oder anderen Stromkreis verwenden.</p> <p>6. Den Kundendienst anrufen.</p>
<p>GRÜNE Leuchte - mit blinkender GELBER Anzeige.</p>	<p>1. Interne Reparaturen erforderlich.</p>	<p>1. Den Kundendienst anrufen.</p>

SYMPTOM:	MÖGLICHE URSACHE:	LÖSUNG:
<p>Alarm: Schnell</p> <p>Piep.....Piep..... Piep....Piep</p>	<p>NIEDRIG-FLUSS- ALARM</p> <p>1. Knick bzw. Blockierung in Schlauch, Kanüle oder Befeuchter.</p> <p>2 Flussmesser auf 0,5 l/min eingestellt.</p>	<p>1. Auf Knicke oder Blockierungen untersuchen. Das entsprechende Teil korrigieren, reinigen oder ersetzen. Nach erfolgter Korrektur das Gerät 60 Sekunden lang ausschalten und dann wieder EINSCHALTEN.</p> <p>2. Flussraten unter 1 l/min sind nicht empfehlenswert.</p>

ABSCHNITT 9—ALS OPTION ERHÄLTliches ZUBEHÖR

Folgendes optionelles Zubehör ist außerdem erhältlich:

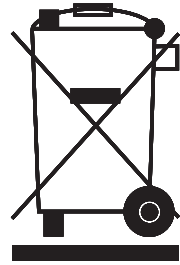
- Standard Erwachsenen-Nasenkanüle, 2,1 m (7 Fuß) - M3120
- Standard Befeuchter - M5120
- PreciseRX™ Kinder-Befeuchter/Durchflussregler Zubehör - IRCPF16AW
- HomeFill Heim-Sauerstoffkompressor - IOH200AW

RECYCLINGHINWEISE

Dieses Produkt ist von einem umweltbewussten Hersteller geliefert worden, der gemäß der Verordnung 2002/96/CE zur Entsorgung von Elektro- bzw. Elektronikschrott (WEEE) arbeitet.

Dieses Produkt kann Stoffe enthalten, die sich für die Umwelt als schädlich erweisen könnten, falls sie an Orten (Mülldeponien) entsorgt werden, die nach der Gesetzgebung dafür nicht geeignet sind.

Das Symbol der „durchgestrichenen Mülltonne“ befindet sich auf diesem Produkt, um den Benutzer an die Verpflichtung zum Recycling zu erinnern.



Bitte umweltbewusst handeln und dieses Produkt am Ende seiner Nutzungsdauer einer Recyclingeinrichtung zuführen.

EINGESCHRÄNKTE GARANTIE

Belgium & Luxemburg:

Invacare nv, Autobaan 22, B-8210 Loppem
Tel: (32) (0) 50 83 10 10
Fax: (32) (0) 50 83 10 11
belgium@invacare.com

Danmark:

Invacare A/S, Sdr. Ringvej 37, DK-2605
Brøndby
Tel: (45) (0)36 90 00 00
Fax: (45) (0)36 90 00 01
denmark@invacare.com

Deutschland:

Invacare Aquatec GmbH,
Alemanenstraße 10, D-88316 Isny
Tel: (49) (0)75 62 7 00 0
Fax: (49) (0)75 62 7 00 66
info@invacare-aquatec.com

European Distributor Organisation:

Invacare, Kleiststraße 49, D-32457 Porta
Westfalica
Tel: (49) (0)57 31 754 540
Fax: (49) (0)57 31 754 541
edo@invacare.com

España:

Invacare SA, c/Areny s/n, Polígon
Industrial de Celrà, E-17460 Celrà (Girona)
Tel: (34) (0)972 49 32 00
Fax: (34) (0)972 49 32 20
contactsp@invacare.com

France:

Invacare Poirier SAS, Route de St Roch,
F-37230 Fondettes
Tel: (33) (0)2 47 62 64 66
Fax: (33) (0)2 47 42 12 24
contactfr@invacare.com

Switzerland:

Invacare AG,
Benkenstrasse 260, CH-4108 Witterswil
Tel: (41) (0)61 487 70 80
Fax: (41) (0)61 487 70 81
switzerland@invacare.com

Ireland:

Invacare Ireland Ltd, Unit 5 Seatown
Business Campus,
Seatown Road, Swords, County Dublin –
Ireland
Tel: (353) 1 810 7084
Fax: (353) 1 810 7085
ireland@invacare.com

Italia:

Invacare Mecc San s.r.l., Via dei Pini 62,
I-36016 Thiene (VI)
Tel: (39) 0445 38 00 59
Fax: (39) 0445 38 00 34
italia@invacare.com

Nederland:

Invacare BV, Celsiusstraat 46, NL-6716 BZ
Ede
Tel: (31) (0)318 695 757
Fax: (31) (0)318 695 758
nederland@invacare.com
csede@invacare.com

Norge:

Invacare AS, Grensesvingen 9, Postboks
6230, Etterstad, N-0603 Oslo
Tel: (47) (0)22 57 95 00
Fax: (47) (0)22 57 95 01
norway@invacare.com
island@invacare.com

Österreich:

Invacare Austria GmbH, Herzog
Odiolstrasse 101, A-5310 Mondsee
Tel: (43) 6232 5535 0
Fax: (43) 6232 5535 4
info@invacare-austria.com

Sverige & Suomi:

Invacare AB, Fagerstagatan 9,
S-163 91 Spånga
Tel: (46) (0)8 761 70 90
Fax: (46) (0)8 761 81 08
sweden@invacare.com
finland@invacare.com

United Kingdom:

Invacare Limited, Pencoed Technology
Park, Pencoed, Bridgend CF35 5HZ
Tel: (44) (0) 1656 776200
Fax: (44) (0) 1656 776201
Customer Services:
Tel: (44) (0) 1656 776222
Fax: (44) (0) 1656 776220
UK@invacare.com

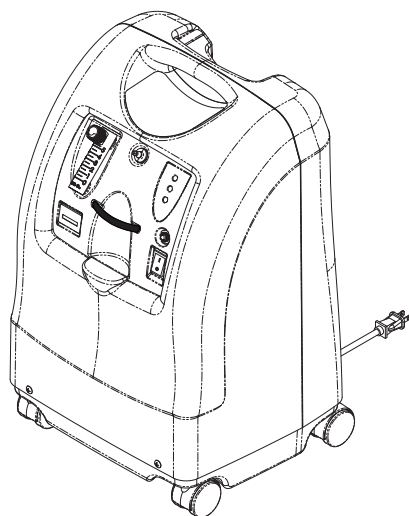
Portugal:

Invacare Lda,
Rua Estrada Velha, 949, P-4465-784 Leça do
Balio
Tel: (351) (0)225 1059 46/47
Fax: (351) (0)225 1057 39
portugal@invacare.com

Podręcznik operatora

Serie Perfecto₂TM

Koncentratory tlenowe bez SensO₂[®],
Koncentratory tlenowe wyposażone w SensO₂
Zgodne z produktem HomeFill[®]



Model IRC5PO2AW
Model IRC5PO2VAW

Model IRC5PAW

Sprzedawca: Niniejszy podręcznik MUSI BYĆ przekazany użytkownikowi końcowemu.

Użytkownik: PRZED rozpoczęciem korzystania z niniejszego produktu należy zapoznać się z informacjami znajdującymi się w niniejszym podręczniku, a podręcznik należy zachować, aby móc korzystać z niego w przyszłości.

Więcej informacji na temat produktów firmy Invacare, części oraz napraw, znajduje się na stronie www.invacare.com

CE 0434



Yes, you can.

OSTRZEŻENIE

NIE WOLNO stosować niniejszego produktu, ani żadnego z urządzeń dodatkowych, przed zapoznaniem się z niniejszymi instrukcjami oraz ze wszystkimi innymi wskazówkami, takimi jak te, które znajdują się w podręczniku użytkownika, podręczniku napraw lub na ulotkach informacyjnych dostarczonych z niniejszym produktem lub z wyposażeniem dodatkowym. W przypadku niemożności zrozumienia ostrzeżeń, ostrzeżeń lub instrukcji przed próbą użycia niniejszego sprzętu należy porozumieć się z lekarzem, sprzedawcą lub pracownikiem działu technicznego – w przeciwnym razie może dojść do obrażeń ciała użytkownika.

OSTRZEŻENIA DOTYCZĄCE WYPOSAŻENIA DODATKOWEGO

Produkty firmy Invacare zostały specjalnie zaprojektowane i wyprodukowane w celu stosowania ich z wyposażeniem dodatkowym firmy Invacare. Wyposażenie dodatkowe innych producentów nie zostało sprawdzone przez firmę Invacare i nie zaleca się jego stosowania z produktami firmy Invacare.

WYPOSAŻENIE DODATKOWE

Z urządzeniem tym można stosować różne typy nawilżaczy, przewodów tlenowych, kaniul i masek. W celu uzyskania informacji, które z tych urządzeń są zalecane dla danego użytkownika, należy skontaktować się z miejscowym pracownikiem opieki zdrowotnej. Przekaze on również instrukcje dotyczące ich prawidłowego użytkowania, konserwacji i czyszczenia.

UWAGA: Zaktualizowane wersje podręczników dostępne są na stronie www.invacare.com.

SPIS TREŚCI

WYPOSAŻENIE DODATKOWE	134
UWAGI SPECJALNE	136
LOKALIZACJA ETYKIETY	138
CZĘŚĆ 1—OGÓLNE WSKAZÓWKI	139
Zakłócenia częstotliwości radiowych	141
CZĘŚĆ 2—FUNKCJE	143
CZĘŚĆ 3—EKSPLOATACJA	144
Rozpakowywanie.....	144
Kontrola	144
Przechowywanie.....	145
CZĘŚĆ 4—OPIS TECHNICZNY	146
CZĘŚĆ 5—TYPOWE PARAMETRY PRODUKTU	147
CZĘŚĆ 6—INSTRUKCJE OBSŁUGI	151
Wstęp	151
Wybierz miejsc	151
Ustawienia.....	152
Szybkość przepływu	155
Wskaźnik czystości tlenu SensO ₂ - Model IRC5PO2AW & IRC5PO2VAW.....	157
Początkowe uruchomienie koncentratora	157
Wyjaśnienie komunikatów diod znacznikowych - Model IRC5PAW	158
Licznik upływu czasu (licznik godzin).....	158
CZĘŚĆ 7—KONSERWACJA	159
Konserwacja rutynowa	159
CZĘŚĆ 8—ROZWIĄZYWANIE PROBLEMÓW ...	162
CZĘŚĆ 9—OPCJONALNE ELEMENTY WYPO- SAŻENIA DODATKOWEGO	165
INFORMACJE DOTYCZĄCE UTYLIZACJI	166
OGRANICZONA GWARANCJA	167

UWAGI SPECJALNE

W niniejszym podręczniku użyto pewnych określeń ostrzegawczych, odnoszących się do zagrożeń lub czynności niebezpiecznych, które mogą doprowadzić do obrażeń ciała użytkownika lub do uszkodzenia mienia. W poniższej tabeli zamieszczono definicje określeń ostrzegawczych.

OKREŚLENIE OSTRZEGAWCZE	ZNACZENIE
NIEBEZPIECZEŃSTWO	„Niebezpieczeństwo” oznacza zagrożenie, które – o ile nie uda się go uniknąć – doprowadzi do śmierci lub poważnych obrażeń ciała.
OSTRZEŻENIE	„Ostrzeżenie” oznacza sytuację potencjalnie niebezpieczną, która – o ile nie uda się jej uniknąć – może doprowadzić do śmierci lub poważnych obrażeń ciała.
UWAGA	„Przestroga” wskazuje potencjalnie niebezpieczną sytuację, która – o ile nie uda się jej uniknąć – może spowodować uszkodzenie mienia i/lub niewielki uraz.

POWIADOMIENIE

Informacje zawarte w niniejszym dokumencie mogą ulec zmianie bez powiadomienia.

NIEBEZPIECZEŃSTWO

Podczas użytkowania niniejszego urządzenia **NIE WOLNO PALIĆ TYTONIU**. W pomieszczeniu, w którym znajduje się produkt, nie wolno trzymać zapalek, zapalonych papierosów lub innych źródeł zapłonu.

⚠ NIEBEZPIECZEŃSTWO

Znaki ZAKAZU PALENIA powinny zostać umieszczone w widocznych miejscach. W powietrzu wzbogaconym tlenem tekstylia i inne materiały, które w zwykłych warunkach nie palą się, mogą łatwo ulec zapaleniu i płonąć z dużą intensywnością. Niezastosowanie się do niniejszego ostrzeżenia może spowodować duży pożar, uszkodzenie mienia oraz obrażenia ciała lub śmierć użytkowników.

UWAGA

“Uwaga: Aktualne przepisy ograniczają sprzedaż niniejszego urządzenia wyłącznie przez lub na zamówienie lekarza lub innego pracownika agencji rządowej uprawnionego przez nią do stosowania lub zlecenia zastosowania niniejszego urządzenia”.

Firma Invacare zaleca zaopatrzenie się w alternatywne, dodatkowe źródło tlenu na wypadek przerwy w zasilaniu, wystąpienia sytuacji alarmowej lub uszkodzenia mechanicznego. W celu uzyskania informacji na temat rodzaju wymaganego systemu rezerwowego, proszę skonsultować się z lekarzem lub dostawcą wyposażenia.

Urządzenie służy do uzupełniania tlenu, a nie do podtrzymywania lub ratowania życia.

LOKALIZACJA ETYKIETY

Perfecto₂[™]

INSTRUKCJE OBSŁUGI lub ALARMY (zob. Podręcznik użytkownika)

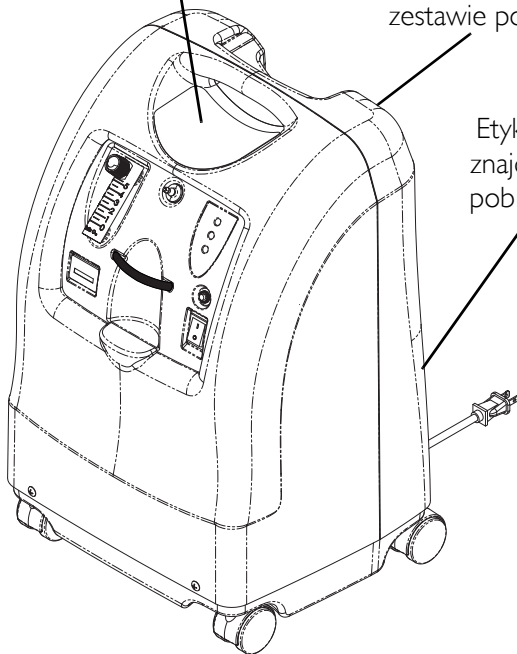
- ⚠ UWAGA - NIEBEZPIECZEŃSTWO ZAPŁONU
ZAKAZ PALENIA – Nie wolno dopuścić, aby w pomieszczeniu, w którym znajduje się urządzenie, lub w okolicy miejsc zaopatrzenia urządzenia w tlen, znajdowały się JAKIEKOLWIEK źródła zapłonu. Wyroby włókiennicze, olej lub inne łatwopalne materiały bardzo łatwo ulegają silnemu zapłonowi w atmosferze wzbogaconej tlenem.
- ⚠ NIEBEZPIECZEŃSTWO - RYZYKO PORAŻENIA PRADEM
NIE WOLNO zdejmować pokrywy. W przypadku konieczności serwisowania należy przekazać je wykwalifikowanemu pracownikowi serwisu.
- ⚠ Przepływ o wartości niższej niż 0,5 l/min spowoduje uruchomienie alarmu niskiego przepływu (szybki alarm dźwiękowy).
- ⚠ Podczas napełniania butli HomeFill® ustaw przepływomierz na wartość 2,5 l/min lub niższą.

HomeFill®
Zgodny



Etykieta z numerem seryjnym znajduje się w zestawie poboru rezonatora

Etykieta specyfikacji znajduje się z tyłu, w pobliżu części dolnej



CZĘŚĆ I — OGÓLNE WSKAZÓWKI

W celu zapewnienia bezpiecznej instalacji, montażu i obsługi koncentratora Perfecto₂ NALEŻY postępować zgodnie z niniejszymi wskazówkami.

⚠ OSTRZEŻENIE

W niniejszej części zawarto informacje istotne dla bezpiecznej obsługi i eksploatacji niniejszego produktu.

⚠ NIEBEZPIECZEŃSTWO

Ryzyko porażenia prądem elektrycznym. **NIE WOLNO** rozkładać urządzenia na części. W przypadku konieczności serwisowania należy przekazać je wykwalifikowanemu pracownikowi serwisu. Urządzenie nie zawiera elementów, które wymagają konserwacji przez użytkownika.

W CELU ZMNIEJSZENIA RYZYKA OPARZEŃ, ŚMIERTELNEGO PORAŻENIA PRĄDEM ELEKTRYCZNYM, POŻARU LUB OBRAŻEŃ CIAŁA.

Urządzenia nie wolno używać podczas kąpieli. Jeśli lekarz zaleci ciągle stosowanie urządzenia, koncentrator **MUSI** znajdować się w innym pomieszczeniu, w odległości co najmniej 2,5 m (7 stóp) od łazienki.

NIE WOLNO dotykać koncentratora, dopóki jest on wilgotny.

Produktu **NIE WOLNO** umieszczać ani przechowywać w miejscach, gdzie może wpaść do wody lub innej cieczy.

NIE WOLNO dotykać produktu, który wpadł do wody. Urządzenie należy **NATYCHMIAST** odłączyć od sieci zasilającej.

⚠ NIEBEZPIECZEŃSTWO

Jeśli koncentrator ma uszkodzony przewód lub wtyczkę, nie działa poprawnie, został upuszczony lub uszkodzony albo wpadł do wody, należy wezwać wykwalifikowanego pracownika serwisu w celu sprawdzenia i naprawy urządzenia.

Może nastąpić spontaniczny i gwałtowny zapłon, jeśli olej, smar lub substancje smarne zetkną się z tlenem pod ciśnieniem. Substancje te **MUSZĄ** być przechowywane z dala od koncentratora tlenu, przewodów i złączy oraz wszystkich innych urządzeń tlenowych. **NIE WOLNO** używać żadnych środków nawilżających, jeśli nie zostaną one wyraźnie zalecone przez firmę Invacare.

Należy unikać sytuacji powodującej powstawanie iskier w pobliżu tlenowych urządzeń medycznych. Dotyczy to iskier spowodowanych przez elektryczność statyczną, powstającą przy każdym rodzaju tarcia.

Informacje dotyczące obsługi

W celu uzyskania optymalnej wydajności firma Invacare zaleca, aby koncentrator był za każdym razem uruchamiany na co najmniej 30 minut. Krótsze czasy mogą skrócić maksymalny okres użytkowania produktu.

Nie należy zakrywać przewodów z tlenem, kabli oraz jednostki centralnej kocami, narzutami, poduszkami lub ubraniami i należy trzymać je z dala od ciepłych lub gorących powierzchni, takich jak kaloryfery, piecyki lub podobne urządzenia elektryczne.

IE WOLNO przesuwając ani przemieszczać koncentratora poprzez pociąganie za przewód zasilający

W ŻADNYM WYPADKU nie wolno wlewać lub wrzucać żadnych płynów lub przedmiotów do otworów urządzenia.

Firma Invacare zaleca stosowanie z niniejszym produktem przewodów z tlenem Crush-Proof, których długość nie przekracza 15,2 m (50 stóp).

Urządzenie nie posiada części, które mogą być wymienione przez użytkownika. Nie obejmuje to czynności związanych z normalną konserwacją. W celu uzyskania wiadomości na temat czynności konserwacyjnych wykonywanych przez użytkownika, proszę zapoznać się z informacjami zamieszczonymi w rozdziale dotyczącym konserwacji.

NIE WOLNO pozostawiać włączonego produktu bez nadzoru. Proszę upewnić się, że urządzenie Perfecto₂ jest wyłączone, gdy nie jest w użyciu.

Jeżeli produkt jest używany w pobliżu dzieci lub osób niepełnosprawnych fizycznie, należy zapewnić ścisły nadzór.

W przypadku, gdy urządzenie wykorzystywane jest przez pacjentów, którzy mogą nie słyszeć lub nie widzieć sygnałów alarmowych albo są niezdolni do zgłoszenia uczucia dyskomfortu konieczne może być zastosowanie dodatkowych środków nadzoru lub zwrócenie szczególnej uwagi.

Koncentratora **NIE WOLNO** podłączać równolegle ani szeregowo z innymi koncentratorami tlenu bądź urządzeniami do terapii tlenowej.

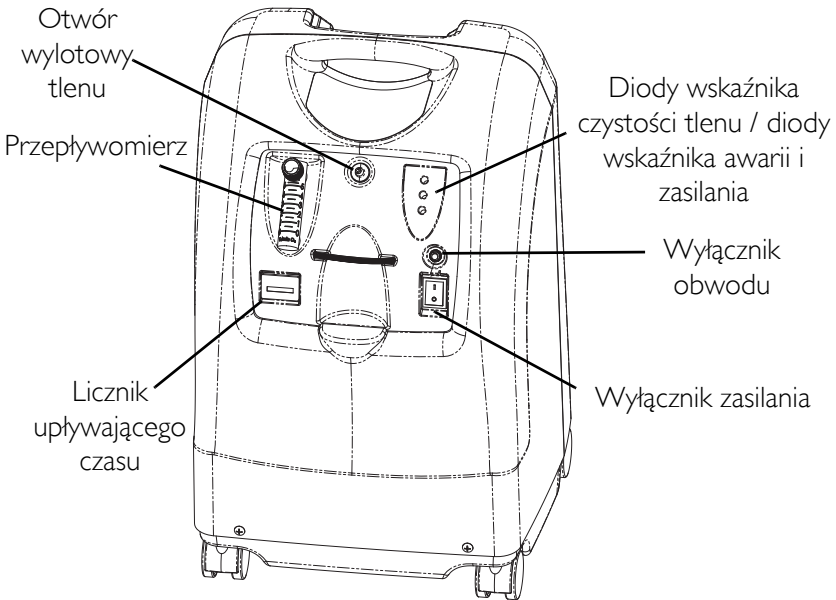
Zakłócenia częstotliwości radiowych

Urządzenie zostało przebadane i spełnia wymagania określone przez EMC, wyszczególnione w normie IEC/EN 60601-1-2. Ograniczenia te opracowane zostały w celu zapewnienia odpowiedniej ochrony przez interferencją elektromagnetyczną z typowymi instalacjami medycznymi.

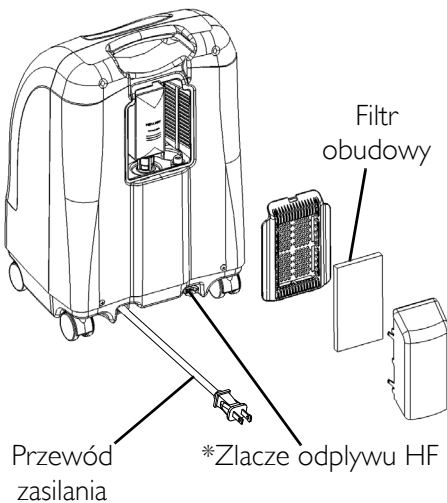
Możliwe jest wystąpienie zakłóceń innych urządzeń, nawet przy niższych poziomach emisji elektromagnetycznych niż te, które dopuszczone są przez podane powyżej standardy. W celu sprawdzenia, czy urządzenie Perfecto₂ jest przyczyną interferencji, należy wyłączyć urządzenie Perfecto₂. Jeśli zakłócenia urządzenia (urządzeń) ustaną, oznacza to, że ich przyczyną jest Perfecto₂. W takich rzadkich przypadkach interferencje można zmniejszyć lub skorygować w następujący sposób:

- Przemieszczając, przesuwając lub zwiększając odległość pomiędzy urządzeniami.
- Podłącz urządzenie do gniazdka innego obwodu niż ten, do którego podłączone są pozostałe urządzenia (urządzenie).

CZĘŚĆ 2—FUNKCJE



WIDOK Z TYŁU



**UWAGA: To gniazdo wylotowe służy wyłącznie do napełniania butli z tlenem za pomocą domowego kompresora tlenu HomeFill. Nie ma ono wpływu na wydajność koncentratora. Informacje na temat połączeń i obsługi można znaleźć w podręczniku użytkownika urządzenia HomeFill, numer części 1145804. Nieużywane gniazdo wylotowe należy zatkać korkiem dostarczonym z koncentrator. W celu uzyskania dodatkowych informacji na temat urządzenia HomeFill, proszę skontaktować się ze sprzedawcą produktów firmy Invacare.*

CZĘŚĆ 3—EKSPLOATACJA

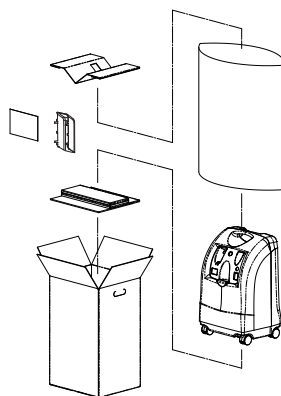
Koncentrator powinien **ZAWSZE** znajdować się w pozycji pionowej, aby zapobiec uszkodzeniu obudowy podczas transportu.

Na wypadek ponownej wysyłki zwykłymi środkami komunikacji, w firmie Invacare dostępne są dodatkowe opakowania kartonowe.

Rozpakowywanie

UWAGA: Informacje dotyczące tej procedury przedstawiono na RYSUNEK 3.1.

1. Sprawdź, czy karton lub jego zawartość nie są uszkodzone. W przypadku ewidentnych uszkodzeń należy powiadomić przewoźnika lub lokalnego przedstawiciela handlowego.
2. Wyjmij z kartonu wszystkie luźne części.
3. Ostrożnie wyjmij z kartonu wszystkie elementy urządzenia.



RYSUNEK 3.1
Rozpakowywanie

UWAGA: O ile koncentrator tlenowy nie musi być NATYCHMIAST stosowany, należy pozostawić koncentrator w oryginalnych opakowaniu, do czasu wykorzystania go.

Kontrola

1. Sprawdź/skontroluj powierzchnię zewnętrzną koncentratora, upewniając się, że nie ma wyszczerbień, wgnieceń, zadrapań lub innych uszkodzeń. Sprawdź wszystkie elementy.

Przechowywanie

1. Rozpakowany koncentrator tlenu należy przechowywać w suchym miejscu.
2. Na ponownie zapakowanym koncentratorze **NIE WOLNO** umieszczać innych przedmiotów.

CZEŚĆ 4—OPIS TECHNICZNY

Koncentrator Perfecto₂ przeznaczony jest do stosowania przez pacjentów ze schorzeniami dróg oddechowych, które wymagają suplementacji tlenu. Urządzenie to nie ma na celu podtrzymywania lub przedłużania życia.








Stężenie tlenu w mieszaninie wyjściowej wynosi od 87% do 95,6%. Tlen dostarczany jest do organizmu pacjenta za pomocą kaniuli donosowej.

Koncentrator Perfecto₂ firmy Invacare wykorzystuje technologię sita molekularnego oraz obrotowej adsorpcji ciśnieniowej do produkcji tlenu. Powietrze dostaje się do urządzenia, zostaje przefiltrowane a następnie sprężone. Sprężone powietrze jest następnie kierowane na jedno z dwóch sit pochłaniających azot. Zagęszczony tlen wydostaje się z przeciwnej strony aktywnego sita i kierowany jest do zbiornika tlenu, z którego może być dostarczony dla pacjenta.

Koncentrator Perfecto₂ firmy Invacare może być obsługiwany przez pacjenta w warunkach domowych oraz szpitalnych. Urządzenie zasilane jest prądem zmiennym o nominalnej wartości 230 V/50 Hz.

Informacje na temat serwisowania dostępne są na żądanie, jedynie dla wykwalifikowanych pracowników technicznych.

CZĘŚĆ 5—TYPOWE PARAMETRY PRODUKTU

	Prąd zmienny
	Urządzenie typu BF
	Urządzenie pracuje
	Urządzenie nie pracuje
	Uwaga – Należy zapoznać się z dostarczoną dokumentacją
	ZAKAZ palenia
	Klasa II, podwójna izolacja
IPX1	Chronić przed zapewnić wody
Wymagania elektryczne:	Prąd zmienny 230 VAC \pm 10% (253 VAC/207 VAC), 50 Hz
Nominalny prąd wejściowy:	1,4 A
Poziom dźwięku:	Średnio 39,5 dBA
Wysokość n.p.m.:	Wszystkie Perfecto2 modele: do 8 tys. stóp (2438 m) nad poziomem morza bez pogorszenia poziomu stężenia. Od 8000 ft do 13,129 (4000 m) poniżej 90% wydajności. Wszystkich modeli Perfecto2 zaś obsadzeniem homefill systemu: do 6 ft (1828 m) nad poziomem morza bez pogorszenia poziomu stężenia. Od 6 ft (1828 m) do 13,129 ft (4000 m) poniżej 90% wydajności.
Poziomy wyjściowej koncentracji tlenu:	87% do 95,6% przy ustawieniach 0,5 do 5 l/min 93% \pm 3% at 2 L/min <i>UWAGA: Podano poziomy koncentracji osiągnięte po okresie początkowego nagrzewania (około 30 minut).</i>



CZĘŚĆ 5—TYPOWE PARAMETRY PRODUKTU

Maksymalne ciśnienie wylotowe:	34,5 kPa \pm 3,45 kPa (5 psi \pm 0,5 psi)
Zakres przepływu:	0,5 do 5 l/min (maksymalnie) W przypadku przepływów o wartości niższych niż 1 l/min, zalecamy użycie dodatkowych elementów przepływomierza dziecięcego firmy Invacare (IRCPFI 6AW)
Alarm niskiego przepływu:	0 l/min do 0,5 l/min Szybki alarm dźwiękowy – pisk (brak podłączonych elementów wyposażenia dodatkowego)
Moc średnia pobór:	Perfecto₂AW - 300 W @ 5 L/min, 280 W @3 L/min Perfecto₂VAW - 320 W@ 5 L/min
Mechanizm uwalniania ciśnienia działa przy:	241 kPa \pm 24,1 kPa (35 psi \pm 3,5 psi)
Zmiana maksymalnego zalecanego przepływu w przypadku zastosowania ciśnienia wstecznego 7 kPa:	0,7 L/min
Filtry:	Obudowy, wylotowy HEPA i wlotowy kompresora
System zabezpieczeń:	Wyłączenie w razie przeciążenia prądowego lub przepięcia Wyłączenie w razie wysokiej temperatury kompresora Alarm niskiego ciśnienia z wyłączeniem kompresora Alarm braku zasilania Alarm niskiego przepływu systemu tlenowego SensO ₂ (model SensO ₂)
Szerokość:	38,1 cm \pm 1 cm (15 \pm 3/8 cala)
Wysokość:	58,4 cm \pm 1 cm (23 \pm 3/8 cala)
Głębokość:	30,5 cm \pm 1 cm (12 \pm 3/8 cala)
Waga:	Perfecto₂AW Models - 20.5 kg \pm 1 kg (45 lbs \pm 2 funty) Perfecto₂VAW Models - 18.1 kg \pm 1 kg (40 lbs \pm 2 funty)
Waga przesyłki:	Perfecto₂AW Models - 22.7 kg \pm 1 kg (50 lbs \pm 2 funty) Perfecto₂VAW Models - 20.4 kg \pm 1 kg (50 lbs \pm 2 funty)
Temperatura otoczenia:	10°C – 35°C (50°F – 95°F) przy wilgotności względnej 20-60%
Temperatura chłodzonego powietrza wydechowego:	Poniżej temperatury otoczenia +19°C


CZĘŚĆ 5—TYPOWE PARAMETRY PRODUKTU

Temperatura wytwarzanego tlenu:	Poniżej temperatury otoczenia +3°C
Obudowa:	Obudowa wykonana z odpornego na czynniki mechaniczne i opóźniającego palenie plastiku, zgodnego z normą UL 94-V0
Nr AP/APG	Nie przeznaczony do użycia w obecności palnych mieszanin gazów anestetycznych
Lista standardów oraz przepisów:	IRC5PO2AW/IRC5PAW/IRC5PO2VAW: IEC/EN 60601-1, A1, A2 IEC/EN 60601-1-2 IEC/EN61000-3-2 IEC/EN61000-3-3 Wyłącznie modele IRC5PO2AW/IRC5PO2VAW: ISO8359 MDD 93/42/EEC, Załącznik I oraz IX
Model oznaczony znakiem CE	IRC5PO2AW & IRC5PO2VAW
Elektryczne:	Nie stosować przedłużaczy
Ustawienie:	Nie bliżej niż 7,5 cm od ściany, mebli lub zasłon, w celu zapewnienia odpowiedniego przepływu powietrza Należy unikać puszystych dywanów, grzejników, kaloryferów lub źródeł gorącego powietrza Wyłącznie na podłodze Nie używać na ograniczonych przestrzeniach (Np. w toalecie)
Przewody:	Kaniula o długości 2 m oraz przewód odporny na zgniatanie (typu Crush-Proof) o maksymalnej długości 15,2 m (NIE przygniatać przewodu)
Czas pracy:	Do 24 godzin dziennie
Zalecana temperatura przechowywania i transportu:	Od -29°C do 65°C przy wilgotności względnej 15–95%
Środowisko:	Bez dymu i sadzy Nie używać na ograniczonych przestrzeniach (Np. w toalecie)
Minimalny czas pracy:	30 minut

IRC5PO2AW & IRC5PO2VAW INDICATORS

SYMBOL ETYKIETY	CZYSTOŚĆ O ₂	LAMPKI KONTROLNE (DIODY LED)
O ₂	SYSTEM OKAY O ₂ powyżej 85% (± 2%)	ZIELONA lampka kontrolna
	O ₂ od 73% (± 3%) do 85% (±2%)	ŻÓŁTA lampka kontrolna A. Świeci stale na ŻÓŁTO B. Miga na ŻÓŁTO Awaria Skontaktuj się z wykwalifikowanym technikiem.
	SYSTEM FAILURE (Awaria systemu) O ₂ poniżej 73% (±3%)	CZERWONA lampka kontrolna Ciągły, dźwiękowy sygnał alarmowy – Sieve-GARD, wyłączenie kompresora

WSKAŹNIKI IRC5PAW

SYMBOL ETYKIETY	STAN	LAMPKI KONTROLNE (DIODY LED)
I/O	SYSTEM OKAY	ZIELONA lampka kontrolna
	SYSTEM FAILURE (Awaria systemu)	CZERWONA lampka kontrolna Ciągły, dźwiękowy sygnał alarmowy – kompresor Sieve-GARD™ wyłączenie Skontaktuj się z wykwalifikowanym technikiem.

CZĘŚĆ 6—INSTRUKCJE OBSŁUGI

Wstęp

Koncentrator tlenowy przeznaczony jest do indywidualnego użytku. Jest to urządzenie elektroniczne, oddzielające tlen od powietrza atmosferycznego. Dostarcza ono tlen w dużym stężeniu bezpośrednio do kaniuli donosowej. Badania kliniczne dowiodły, że koncentratory tlenu stanowią terapeutyczny odpowiednik innych typów systemów dostarczania tlenu.

Sposób używania koncentratora tlenu przedstawi dostawca. Należy się z nim skontaktować w przypadku pojawienia się pytań lub problemów związanych z koncentratorem tlenu. W podręczniku obsługi znajdują się informacje na temat koncentratora oraz informacje w czasie stosowania koncentratora.

Wybierz miejsc

OSTRZEŻENIE

NIE WOLNO zakrywać otworów wentylacyjnych produktu ani umieszczać go na miękkiej powierzchni, takiej jak łóżko lub kanapa, gdzie otwory wentylacyjne mogą zostać zablokowane. Z otworów należy usuwać włókna, włosy itp.

Urządzenie powinno się znajdować w odległości co najmniej 7,5 cm (3 cale) od ścian, zasłon, mebli itp.

Istnieje możliwość wyboru takiego pomieszczenia w domu, w którym korzystanie z koncentratora tlenu będzie najwygodniejsze. Dzięki zamontowanym kółkom urządzenie można łatwo przewozić z pokoju do pokoju.

Koncentrator tlenowy będzie działał optymalnie w przypadku pracy w warunkach przedstawionych w Typowe parametry produktu na stronie 147. Użytkowanie w warunkach innych niż opisane może spowodować konieczność częstszej konserwacji urządzenia. Aby uniknąć zanieczyszczeń unoszących się w powietrzu i/lub dymu, wlot powietrza urządzenia powinien znajdować się w dobrze przewietrzonym miejscu. Nie stosować w a.

Ustawienia

1. Podłącz przewód zasilania do gniazda elektrycznego.
2. Podłączanie nawilzacza (o ile jest takie zalecenie)

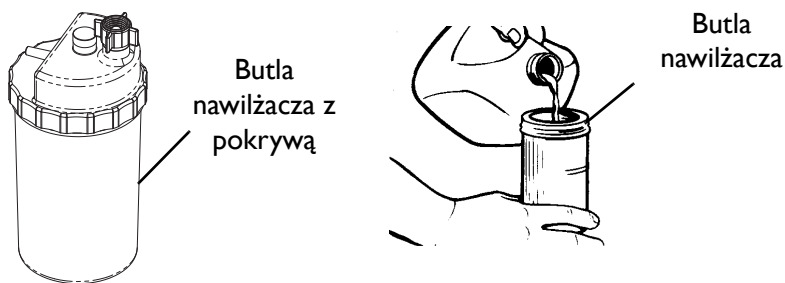
⚠ OSTRZEŻENIE

NIE WOLNO przepelniać nawilzacza.

NIE WOLNO zamieniać podłączeń wejściowych i wyjściowych tlenu. Woda z butelki nawilzacza może się przedostać przez kaniulę z powrotem do pacjenta.

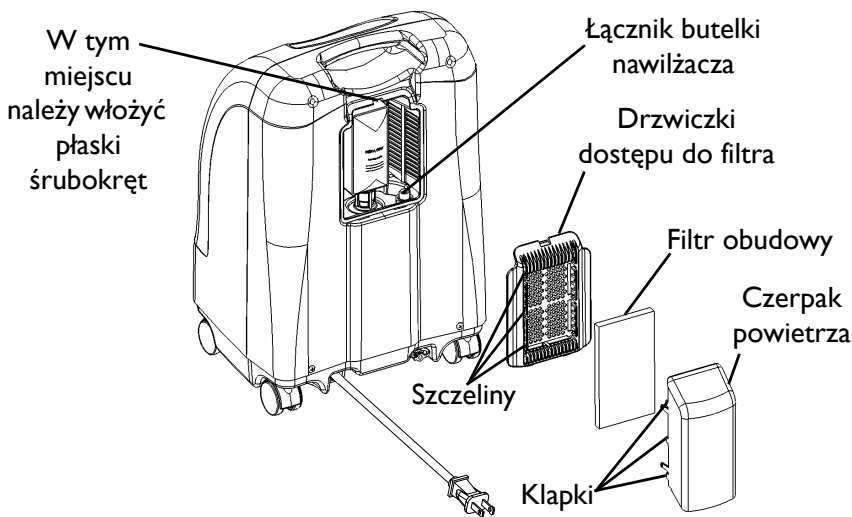
UWAGA: Informacje dotyczące tej procedury przedstawiono na RYSUNEK 6.1, RYSUNEK 6.2 na stronie 153, RYSUNEK 6.3 na stronie 154.

1. Usuń pokrywę z butelki.
2. Napelnij nawilzacz wodą destylowaną do poziomu wskazanego przez producenta. Załóż pokrywę nawilzacza i dobrze ją dokręć.



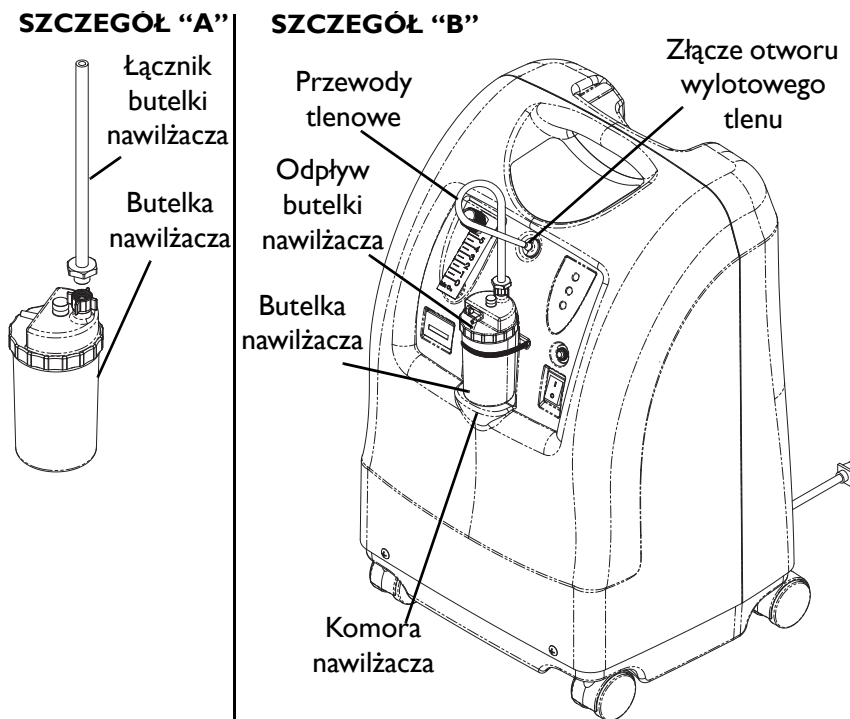
RYSUNEK 6.1 Napełnianie nawilżacza

3. Włóż płaski śrubokręt w wyłobienie płyty przy górnej krawędzi drzwiczek dostępu do filtra i delikatnie je podważ w celu ich otworzenia (RYSUNEK 6.2).
4. Pociągnij i wyjmij łącznik butelki nawilżacza (RYSUNEK 6.2).
5. Zamknij drzwiczki dostępu do filtra i zainstaluj czepak powietrza do drzwiczek dostępu do filtra montując na czepaku powietrza sześć kłapek w sześciu szczelinach znajdujących się na bocznej części drzwiczek dostępu do filtra.



RYSUNEK 6.2 Łącznik butelki nawilżacza

6. Podłącz łącznik butelki nawilzacza do butelki nawilzacza, obracając nakrętkę znajdującą się na butelce nawilzacza w kierunku przeciwnym do ruchu wskazówek zegara do czasu pewnego jej zamocowania. Zob. Szczegół "A" w RYSUNEK 6.3.
7. Umieść zespół butelki nawilzacza/łącznika w przedziale nawilzacza koncentratora. Zob. Szczegół "B" w RYSUNEK 6.3.
8. Podłącz przewody tlenowe od zespołu butelki nawilzacza/łącznika do zaworu odpływu tlenu koncentratora. Zob. Szczegół "B" w RYSUNEK 6.3.
9. Do wylotu butelki nawilzacza podłącz kaniulę/przewody dostarczające dla pacjenta. Zob. Szczegół "B" w RYSUNEK 6.3.
10. Po zmontowaniu sprawdź, czy tlen przepływa przez kaniulę.



RYSUNEK 6.3 Komora nawilzacza

Wyłącznik zasilania

UWAGA: Informacje dotyczące tej procedury przedstawiono na RYSUNEK 6.4.

1. Włącz przełącznik Zasilania. Wszystkie lampki na panelu oraz alarm dźwiękowy zostaną włączone na jedną sekundę, wskazując, że urządzenie działa prawidłowo.



RYSUNEK 6.4 Wyłącznik zasilania

Szybkość przepływu

UWAGA: Informacje dotyczące tej procedury przedstawiono na RYSUNEK 6.5.

UWAGA: Należy uważać, aby nie ustawiać przepływu tlenu powyżej CZERWONEGO pierścienia. Przepływ tlenu o wartości większej niż 5 l/min spowoduje obniżenie stężenia tlenu.

1. Ustaw pokrętko szybkości przepływu w położeniu zalecym przez lekarza lub specjalistę.

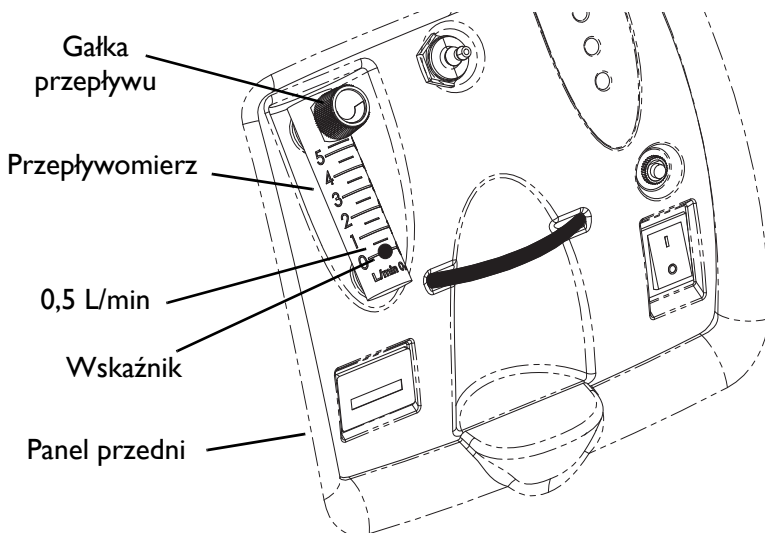
⚠ OSTRZEŻENIE

NIE WOLNO zmieniać ustawienia l/min na przepływomierzu, o ile zmiana nie została zalecona przez lekarza lub specjalistę.

UWAGA: Aby prawidłowo odczytać wskazanie przepływomierza, należy znaleźć na nim linię zalecanej szybkości przepływu. Następnie należy obracać pokrętkę przepływu do momentu, aż wskaźnik osiągnie tę linię. Teraz należy ustawić środek wskaźnika na zalecanej linii l/min.

2. Jeśli szybkość przepływu na przepływomierzu kiedykolwiek opadnie poniżej 0,5 l/min na dłużej niż jedną minutę, zostanie uruchomiony alarm LOW FLOW (Niski przepływ). Są to szybkie sygnały dźwiękowe. Sprawdź przewody lub wyposażenie dodatkowe, upewniając się, czy przewody nie zostały zablokowane albo zagięte, a butelka nawilzacza nie jest wadliwa. Po przywróceniu odpowiedniego przepływu powyżej 0,5 l/min alarm LOW FLOW (Niski przepływ) wyłączy się.

UWAGA: Zastosowanie pewnych akcesoriów, takich jak pediatria przystawka do zwalniania przepływu i kompresor HomeFill, spowoduje wyłączenie alarmu niskiego przepływu.



RYСУNEK 6.5 Szybkość przepływu

Wskaźnik czystości tlenu SensO₂ - Model IRC5PO2AW & IRC5PO2VAW

Ta funkcja służy do monitorowania czystości tlenu wytwarzanego przez koncentrator. Jeśli czystość spadnie poniżej ustawionych standardów fabrycznych, zaświeci się lampka kontrolna na panelu sterowania.

Początkowe uruchomienie koncentratora

UWAGA: Koncentratora można używać podczas początkowego okresu nagrzewania (około 30 min), oczekując na osiągnięcie maksymalnej czystości O₂.

Po włączeniu urządzenia zaświeci się ZIELONA lampka (SYSTEM OK/O₂ powyżej 85%). Po pięciu minutach czujnik tlenu będzie działał normalnie i sterował lampkami kontrolnymi w zależności od wartości koncentracji tlenu.

Wyjaśnienie znaczenia diod wskaźnika czystości tlenu - Model IRC5PO2AW & IRC5PO2VAW

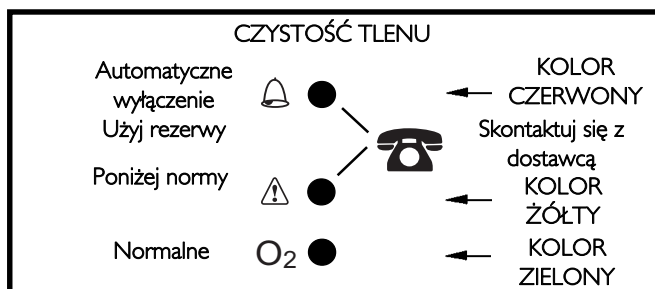
UWAGA: Informacje dotyczące tej procedury przedstawiono na RYSUNEK 6.6 na stronie 158.

Lampka ZIELONA (O₂) - normalna praca.

Lampka ŻÓŁTA (⚠) - natychmiast skontaktuj się z dostawcą. Można kontynuować korzystanie z koncentratora, o ile dostawca nie zaleci innego postępowania. Upewnij się, że w pobliżu znajduje się rezerwowe źródło tlenu.

Lampka CZERWONA (⚡) - wyłączenie całego urządzenia. Natychmiast wyłącz w celu uzupełnienia tlenu i skontaktuj się z dostawcą.

Lampka ZIELONA – oraz mrugająca lampka ŻÓŁTA - natychmiast skontaktuj się z dostawcą. Czujnik tlenu nie działa prawidłowo; można kontynuować używanie koncentratora.



RYSUNEK 6.6

Wyjaśnienie znaczenia diod wskaźnika czystości tlenu - Model IRC5PO2AW & IRC5PO2VAW

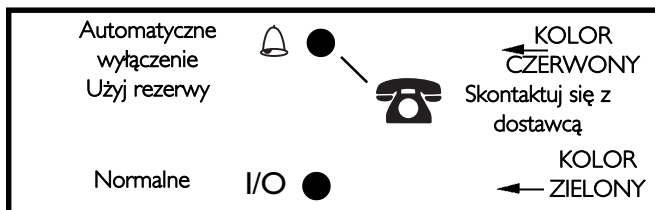
Wyjaśnienie komunikatów diod znacznikowych - Model IRC5PAW

UWAGA: Informacje dotyczące tej procedury przedstawiono na RYSUNEK 6.7.

IRC5PAW Model wyjaśnienia komunikatów diod

Lampka CZERWONA (⚠) - wyłączenie całego urządzenia. Natychmiast przełącz na zapasowe źródło zasilania tlenu i skontaktuj się z dostawcą.

Lampka ZIELONA (I/O) - wł./wył. System działa poprawnie.



RYSUNEK 6.7 Wyjaśnienie komunikatów diod znacznikowych - Model IRC5PAW

Licznik upływu czasu (licznik godzin)

Licznik godzin wyświetla łączną liczbę godzin pracy urządzenia.

CZĘŚĆ 7—KONSERWACJA

OSTRZEŻENIE

Koncentratory firmy Invacare zostały specjalnie zaprojektowane w celu zminimalizowania rutynowej konserwacji zapobiegawczej. Zabiegi zapobiegawczej konserwacji koncentratora mogą być przeprowadzane wyłącznie przez wykwalifikowany personel.

Podczas czyszczenia należy odłączyć koncentrator od sieci zasilającej. Aby zapobiec porażeniu prądem elektrycznym, NIE WOLNO zdejmować obudowy.

UWAGA: Konserwacja MUSI być wykonana przynajmniej według wytycznych konserwacji. W miejscach o dużym stężeniu kurzu lub sadzy niezbędne może być częstsze przeprowadzanie konserwacji. Patrz REJESTR KONSERWACJI PREWENCYJNEJ na stronie 161.

Konserwacja rutynowa

Następujące czynności konserwacji rutynowej należy wykonywać częściej. Zob. informacje na temat zalecanych odstępów, które znajdują się w każdym z rozdziałów oraz REJESTR KONSERWACJI PREWENCYJNEJ na stronie 161.

Czyszczenie filtra obudowy

UWAGA

NIE WOLNO używać koncentratora bez zainstalowanego filtra.

UWAGA: Informacje dotyczące tej procedury przedstawiono na FIGURE 7.1 na stronie 160.

UWAGA: W tylnej części znajduje się jeden filtr obudowy.

1. Filtr należy kontrolować co miesiąc. W razie potrzeby należy go zdemontować i oczyścić.

UWAGA: Warunki środowiskowe, które mogą wymagać częstych kontroli i czyszczenia filtra, to między innymi: duże zapylenie, zanieczyszczenie powietrza, etc.

2. Wyczyścić filtr obudowy za pomocą odkurzacza lub umyć go w ciepłej wodzie z mydłem i dokładnie opłucz.
3. Przed ponowną instalacją filtr należy dokładnie osuszyć.

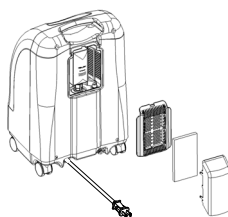
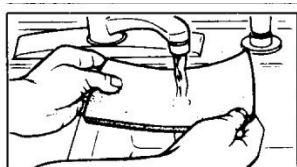


FIGURE 7.1 Czyszczenie filtra obudowy

Czyszczenie obudowy

1. Obudowę należy czyścić łagodnym środkiem czyszczącym i miękką szmatką lub gąbką (niepowodującą zarysowań).

Czyszczenie nawilżacza

UWAGA: Aby wyczyścić nawilżacz, należy postępować zgodnie z instrukcjami podanymi przez producenta. Jeśli ich nie ma, należy wykonać następujące CZYNNOSCI:

1. Czyść nawilżacz codziennie.
2. Umyj go w wodzie z mydłem i opłucz roztworem dziesięciu części wody i jednej części octu.
3. Dokładnie opłucz nawilżacz gorącą wodą i ponownie napełnij wodą destylowaną do poziomu wskazanego na urządzeniu.

CZĘŚĆ 8—ROZWIĄZYWANIE PROBLEMÓW

OBJAW:	PRAWDO- PODOBNA PRZYCZYNA:	ROZWIĄZANIE:
<p>Alarm:</p> <p>Krótkie dźwięki, długie przerwy</p> <p>Koncentrator nie działa, przełącznik zasilania włączony.</p> <p>Bip.....Bip.....</p>	<p>Brak zasilania:</p> <ol style="list-style-type: none"> 1. Przewód zasilania nie jest podłączony. 2. Brak zasilania w gnieździe. 3. Zadziałał wyłącznik obwodu. 	<ol style="list-style-type: none"> 1. Włóż wtyczkę do gniazda. 2. Sprawdź wyłączniki obwodu lub bezpieczniki w domu. Jeśli problem wystąpi ponownie, użyj innego gniazda. 3. Wciśnij/wymień wyłącznik obwodu. Jeśli problem utrzymuje się, skontaktuj się z dostawcą usługi.
<p>Alarm:</p> <p>Ciągły</p> <p>Koncentrator nie działa, przełącznik zasilania włączony.</p> <p>Bi.....Bi.....</p>	<p>Awaria systemu:</p> <ol style="list-style-type: none"> 1. Przegrzanie urządzenia z powodu zablokowanego wlotu powietrza. 2. Niewystarczający poziom zasilania w gnieździe. 3. Wymagane są naprawy wewnętrzne. 	<ol style="list-style-type: none"> a. Wyjmij i wyczyść filtry obudowy. b. Odsuń koncentrator tlenu na odległość co najmniej trzech cali (7,5 cm) od ścian, zasłon i mebli. <ol style="list-style-type: none"> 2. NIE używaj przedłużaczy. Podłącz urządzenie do innego gniazda lub obwodu elektrycznego. 3. Skontaktuj się z serwisem.

OBJAW:	PRAWDO- PODOBNA PRZYCZYNA:	ROZWIĄZANIE:
<p>Świeci się ŻÓŁTA lub CZERWONA lampka.</p> <p>Alarm: Ciągły Świeci się tylko czerwona lampka.</p> <p>* Dotyczy wyłącznie modeli IRC5PO2AW & IRC5PO2VAW</p>	<p>1. Niska czystość tlenu.*</p> <p>2. Zgięte lub zablokowane przewody, kaniula lub nawilżacz.*</p> <p>3. Przepływomierz ustawiony na wartość 0,5 l/min *.</p> <p>4. Przegrzanie urządzenia z powodu zablokowanego wlotu powietrza.</p> <p>5. Niewystarczający poziom zasilania w gnieździe.</p> <p>6. Wymagane są naprawy wewnętrzne.</p>	<p>1. Wyczyść lub wymień filtry.</p> <p>2. Sprawdź, czy nie ma zgięć lub blokad. Popraw, wyczyść lub wymień element. Po dokonaniu poprawki WYŁĄCZ zasilanie na 60 sekund, a następnie Włącz je ponownie.</p> <p>3. Sprawdź, czy przepływomierz jest ustawiony na 1,0 l/min lub więcej. Patrz <u>Typowe parametry produktu</u> na stronie 147.</p> <p>4a. Wyjmij i wyczyść filtry obudowy. 4b. Odsuń koncentrator na odległość co najmniej trzech cali (7,5 cm) od ścian, zasłon i mebli.</p> <p>5. NIE używaj przedłużaczy. Podłącz urządzenie do innego gniazda lub obwodu elektrycznego.</p> <p>6. Skontaktuj się z serwisem.</p>
<p>Miga ZIELONA lub ŻÓŁTA lampka</p>	<p>1. Wymagane są naprawy wewnętrzne.</p>	<p>1. Skontaktuj się z serwisem.</p>

OBJAW:	PRAWDO- PODOBNA PRZYCZYNA:	ROZWIĄZANIE:
<p>Alarm: Rapid (Szybko)</p> <p>Bip....Bip... Bip....Bip</p>	<p>ALARM NISKIEGO PRZEPIYWU</p> <p>1. Zgięte lub zablokowane przewody, kaniula lub nawilżacz.</p> <p>2. Przepływomierz ustawiony na wartość 0,5 l/min.</p>	<p>1. Sprawdź, czy nie ma zgięć lub blokad. Popraw, wyczyść lub wymień element. Po dokonaniu poprawki Wyłącz zasilanie na 60 sekund, a następnie Włącz je ponownie.</p> <p>2. Szybkości przepływu poniżej 1 l/min nie są zalecane.</p>

CZĘŚĆ 9—OPCJONALNE ELEMENTY WYPOSAŻENIA DODATKOWEGO

Dostępne są również następujące opcjonalne elementy wyposażenia dodatkowego:

- Standardowa kaniula nosowa – model przeznaczony dla dorosłych, 2,1 m (7 stóp) - M3120
- Standardowy nawilżacz – M5120
- Nawilżacz PreciseRX™ przeznaczony dla dzieci/Element wyposażenia dodatkowego przepływomierza - IRCPF16AW
- Kompresor domowego systemu tlenoterapii HomeFill – IOH200AW

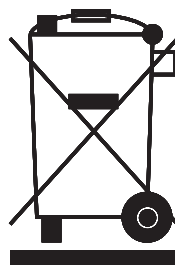
INFORMACJE DOTYCZĄCE UTYLIZACJI

Ten produkt jest dostarczany przez producenta dbającego o środowisko i przestrzegającego dyrektywy 2002/96/CE dotyczącej zużytych urządzeń elektrycznych i elektronicznych (WEEE).

Produkt może zawierać substancje, które mogą być szkodliwe dla środowiska, jeśli zostaną wyrzucone w miejscach (składowiskach odpadów) nieodpowiadających przepisom.

Symbol 'przekreślonego kosza na śmieci' został umieszczony na tym produkcie w celu zachęcenia użytkownika do stosowania – w miarę możliwości – recyklingu.

Należy dbać o środowisko naturalne i utylizować produkt, przekazując go po zakończeniu użytkowania do zakładu utylizacji.



OGRANICZONA GWARANCJA

Belgium & Luxemburg:

Invacare nv, Autobaan 22, B-8210 Loppem
Tel: (32) (0) 50 83 10 10
Fax: (32) (0) 50 83 10 11
belgium@invacare.com

Danmark:

Invacare A/S, Sdr. Ringvej 37, DK-2605
Brøndby
Tel: (45) (0)36 90 00 00
Fax: (45) (0)36 90 00 01
denmark@invacare.com

Deutschland:

Invacare Aquatec GmbH,
Alemanenstraße 10, D-88316 Isny
Tel: (49) (0)75 62 7 00 0
Fax: (49) (0)75 62 7 00 66
info@invacare-aquatec.com

European Distributor Organisation:

Invacare, Kleiststraße 49, D-32457 Porta
Westfalica
Tel: (49) (0)57 31 754 540
Fax: (49) (0)57 31 754 541
edo@invacare.com

España:

Invacare SA, c/Areny s/n, Polígon
Industrial de Celrà, E-17460 Celrà (Girona)
Tel: (34) (0)972 49 32 00
Fax: (34) (0)972 49 32 20
contactsp@invacare.com

France:

Invacare Poirier SAS, Route de St Roch,
F-37230 Fondettes
Tel: (33) (0)2 47 62 64 66
Fax: (33) (0)2 47 42 12 24
contactfr@invacare.com

Switzerland:

Invacare AG,
Benkenstrasse 260, CH-4108 Witterswil
Tel: (41) (0)61 487 70 80
Fax: (41) (0)61 487 70 81
switzerland@invacare.com

Ireland:

Invacare Ireland Ltd, Unit 5 Seatown
Business Campus,
Seatown Road, Swords, County Dublin –
Ireland
Tel: (353) 1 810 7084
Fax: (353) 1 810 7085
ireland@invacare.com

Italia:

Invacare Mecc San s.r.l., Via dei Pini 62,
I-36016 Thiene (VI)
Tel: (39) 0445 38 00 59
Fax: (39) 0445 38 00 34
italia@invacare.com

Nederland:

Invacare BV, Celsiusstraat 46, NL-6716 BZ
Ede
Tel: (31) (0)318 695 757
Fax: (31) (0)318 695 758
nederland@invacare.com
csede@invacare.com

Norge:

Invacare AS, Grensesvingen 9, Postboks
6230, Etterstad, N-0603 Oslo
Tel: (47) (0)22 57 95 00
Fax: (47) (0)22 57 95 01
norway@invacare.com
island@invacare.com

Österreich:

Invacare Austria GmbH, Herzog
Odiolstrasse 101, A-5310 Mondsee
Tel: (43) 6232 5535 0
Fax: (43) 6232 5535 4
info@invacare-austria.com

Sverige & Suomi:

Invacare AB, Fagerstagatan 9,
S-163 91 Spånga
Tel: (46) (0)8 761 70 90
Fax: (46) (0)8 761 81 08
sweden@invacare.com
finland@invacare.com

United Kingdom:

Invacare Limited, Pencoed Technology
Park, Pencoed, Bridgend CF35 5HZ
Tel: (44) (0) 1656 776200
Fax: (44) (0) 1656 776201
Customer Services:
Tel: (44) (0) 1656 776222
Fax: (44) (0) 1656 776220
UK@invacare.com

Portugal:

Invacare Lda,
Rua Estrada Velha, 949, P-4465-784 Leça do
Balio
Tel: (351) (0)225 1059 46/47
Fax: (351) (0)225 1057 39
portugal@invacare.com

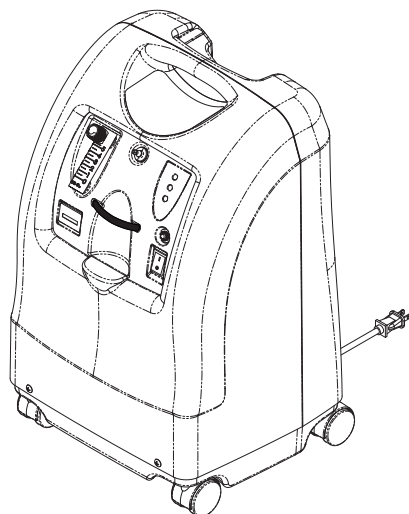
Návod k použití

Perfecto₂™ Series

Koncentrátory kyslíku bez SensO₂® ,

Koncentrátory kyslíku se SensO₂

Kompatibilní s HomeFill®



Model IRC5PO2AW
Model IRC5PO2VAW

Model IRC5PAW

Dealer: Tento návod MUSÍTE předat konečnému uživateli.

Uživatel: BPŘED použitím výrobku si přečtete tento návod a uschovejte ho pro budoucí referenci.

Prosím navštivte www.invacare.com, kde najdete více informací o výrobcích, náhradních dílech a službách společnosti Invacare



Yes, you can.®

⚠ UPOZORNĚNÍ

NEPOUŽÍVEJTE tento výrobek ani jiné dostupné doplňkové zařízení aniž byste si úplně přečetli a pochopili tyto instrukce a jakýkoli další materiál s instrukcemi, jako např. Návod k použití, Návod k obsluze nebo karty s instrukcemi, které jsou dodávány s tímto výrobkem nebo doplňkovým zařízením. Pokud nerozumíte upozorněním, výstrahám nebo instrukcím, obraťte se na odborníka ve zdravotnictví, dealera nebo technický personál dříve, než začnete toto zařízení používat - jinak by mohlo dojít ke zranění nebo poškození.

⚠ UPOZORNĚNÍ TÝKAJÍCÍ SE PŘÍSLUŠENSTVÍ

Produkty Invacare jsou speciálně navrženy a vyrobeny k použití s Invacare příslušenstvím. Příslušenství navrhované jinými výrobci nebylo testováno společností Invacare a nedoporučují se používat s Invacare produkty.

PŘÍSLUŠENSTVÍ

Existuje mnoho různých typů zvlhčovačů vzduchu, kyslíkových hadiček, kanyl a masek, které lze s tímto zařízením používat. Měli byste se obrátit na své místní zdravotnické zařízení a požádat o doporučení, které z těchto výrobků budou pro Vás nejlepší. Také by Vám měli poradit, jak zařízení správně používat, udržovat a čistit.

POZNÁMKA: Aktuální verzi tohoto návodu najdete na www.invacare.com.

OBSAH

PŘÍSLUŠENSTVÍ	169
ZVLÁŠTNÍ POZNÁMKY	171
UMÍSTĚNÍ NÁLEPKY	173
ČÁST 1—VŠEOBECNÉ POKYNY	174
Provozní informace	175
Vysokofrekvenční rušení.....	176
ČÁST 2—CHARAKTERISTIKA	177
ČÁST 3—ZACHÁZENÍ	178
Vybalování.....	178
Inspekce.....	178
Uskladnění.....	178
ČÁST 4—TECHNICKÝ POPIS	179
ČÁST 5—TYPICKÉ PARAMETRY VÝROBKU ..	180
ČÁST 6—NÁVOD K POUŽITÍ	184
Úvod.....	184
Vyberte místo.....	184
Nastavení.....	185
Průtok	188
Indikátor čistoty kyslíku SensO ₂ - Model IRC5PO2AW & IRC5PO2VAW	189
Počáteční spuštění koncentrátoru	189
Vysvětlení světelných indikátorů - Model IRC5PAW.....	190
Měřič uplynulého času (Hodinový měřič).....	190
ČÁST 7—ÚDRŽBA	191
Rutinní údržba.....	191
ČÁST 8—PRŮVODCE K ŘEŠENÍ PROBLÉMŮ ...	194
ČÁST 9—ZVLÁŠTNÍ PŘÍSLUŠENSTVÍ	197
INFORMACE O RECYKLOVÁNÍ	198
OMEZENÁ ZÁRUKA	199

ZVLÁŠTNÍ POZNÁMKY

V tomto návodu se používají signální slova, vztahující se k hazardním nebo nebezpečným praktikám, které mohou mít za následek zranění osob nebo poškození majetku.

V následující tabulce najdete definice signálních slov.

SIGNÁLNÍ SLOVO	VÝZNAM
NEBEZPEČÍ	Nebezpečí znamená bezprostředně hazardní situaci, která, pokud se jí nevyhnete, bude mít za následek smrt nebo vážné zranění.
UPOZORNĚNÍ	Upozornění znamená potenciálně hazardní situaci, která, pokud se jí nevyhnete, by mohla mít za následek smrt nebo vážné zranění.
VÝSTRAHA	Výstraha označuje možnou hazardní situaci, která, pokud se jí nepředejde, může mít za následek poškození majetku, lehké zranění, nebo obojí.

UPOZORNĚNÍ

Informace obsažená v tomto dokumentu se může bez upozornění změnit.

NEBEZPEČÍ

Při používání tohoto zařízení **NEKURŤTE**. Odstraňte všechny zápalky, hořící cigarety nebo jiné zdroje vznícení z místnosti, kde se tento produkt nachází a z místa, kde se kyslík používá.

Tabulky **ZÁKAZ KOUŘENÍ** musí být viditelně umístěny. Textilie a ostatní materiály, které normálně nehoří, snadno vzplanou a hoří velice intensivně ve vzduchu obohaceném kyslíkem. Nedodržování těchto bezpečnostních pravidel může vést k vážnému požáru, poškození majetku a způsobit fyzické zranění nebo smrt.

VÝSTRAHA

“Výstraha: Statutární zákony mohou omezit prodej tohoto zařízení pouze na předpis lékaře nebo jiného odborníka, který je zákony státního úřadu, kde provozuje praxi, oprávněn toto zařízení používat nebo předepsat jeho požívání.”

Společnost Invacare doporučuje alternativní zdroj přídavného kyslíku pro případ výpadku elektrického proudu, poplachu nebo mechanického selhání. Poradte se s lékařem nebo dodavatelem zařízení, jaký typ náhradního systému se požaduje.

Toto vybavení se má používat jako kyslíkový doplněk a nepovažuje se za dostatečné k podpoře života nebo k udržení při životě.

UMÍSTĚNÍ NÁLEPKY

Perfecto₂™

INSTRUKCE PRO UŽIVATELE nebo POPLAŠNÉ SIGNÁLY (najdete v Návodu k použití)

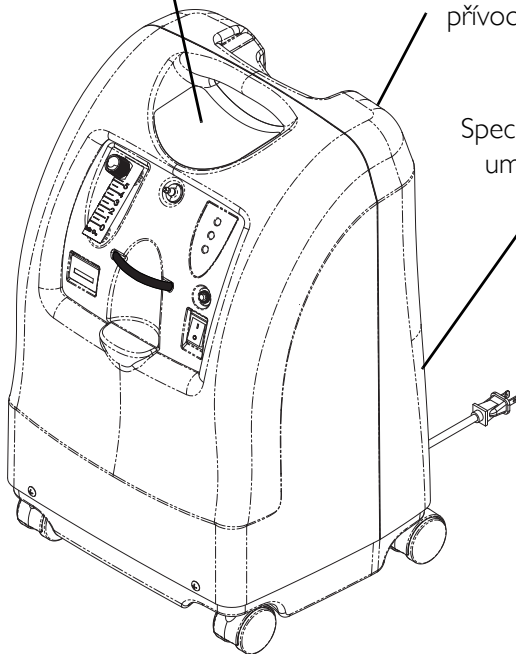
- ⚠ NEBEZPEČÍ OHNĚ
NEKOUŘIT - VŠECHNY vznětlivé předměty se musí odstranit z místnosti, kde je umístěn tento výrobek a z prostor, kde se kyslík používá. Textilie, oleje a jiné hořlaviny se snadno vznítí a hoří velice intenzivně ve vzduchu obohaceném kyslíkem.
- ⚠ NEBEZPEČÍ ÚRAZU ELEKTRICKÝM PROUDEM
NESNÍMEJTE kryt. O servis požádejte kvalifikovaný personál.
- ⚠ Průtok menší než 0,5 l/min spustí poplach signalizující malý průtok (rychlý zvukový signál).
- ⚠ Při plnění cylindrů HomeFill® nastavte měřič průtoku na hodnotu 2,5 l/min nebo méně.

HomeFill®
Kompatibilní



Nálepka s výrobním číslem
je umístěna na sestavě
přívodu rezonátor

Specifikační nálepka je
umístěna na zadní
straně dole



ČÁST I—VŠEOBECNÉ POKYNY

K zajištění bezpečné instalace, montáže a provozu koncentrátoru Perfecto₂ MUSÍTE dodržovat tyto instrukce.

⚠ UPOZORNĚNÍ

Tato část obsahuje důležité informace o bezpečném provozu a užívání tohoto výrobku.

⚠ NEBEZPEČÍ

Riziko úrazu elektrickým proudem. **NEROZEBÍREJTE**. O servis požádejte kvalifikovaný personál. Uživatel neprovádí servis na žádných částech zařízení.

JAK SNÍŽIT RIZIKO POPÁLENIN, ÚRAZU ELEKTRICKÝM PROUDEM, POŽÁRU NEBO ZRANĚNÍ OSOB.

Nepoužívejte v koupeli. Pokud lékař předepsal nepřetržité používání, koncentrátor **MUSÍ** být umístěn v jiné místnosti, nejméně 2,5m (7stop) od koupele.

NEDOTÝKEJTE se koncentrátoru dokud se neосуšíte.

NENECHÁVEJTE nebo **NESKLADUJTE** výrobek v místě, kde by mohl spadnout do vody nebo jiné kapaliny.

NEDOTÝKEJTE se výrobku, který spadl do vody.

OKAMŽITĚ ho vytáhněte ze zásuvky.

Pokud má kompresor poškozenou šňůru nebo přípojku, správně nepracuje, byl upuštěn na zem nebo poškozen nebo ponořen do vody, zavolejte kvalifikovaného technika na prohlídku a opravu.

Pokud s kyslíkem pod tlakem přijde do styku olej, tuk nebo mastné látky, může dojít ke spontánnímu a prudkému vznícení. Tyto látky se **MUSÍ** odstranit z blízkosti koncentrátoru kyslíku, hadiček a spojů a všeho dalšího kyslíkového zařízení. **NEPOUŽÍVEJTE** žádná maziva pokud nejsou doporučena společností Invacare.

Zabraňte jakémukoli jiskření v blízkosti zdravotnického zařízení s kyslíkem. Toto zahrnuje výboje statické elektřiny způsobené jakýmkoli třením.

Provozní informace

Pro optimální provoz společnost Invacare doporučuje, aby každý koncentrátor byl zapnut a v provozu vždy alespoň 30 minut. Kratší doba provozu by mohla snížit maximální životnost výrobku.

Ujistěte se, že kyslíkové hadičky, kabel a jednotka nejsou zakryty předměty jako deky, pokrývky na posteli, polštářky na židlích, kusy oděvu, a že nejsou v blízkosti teplých nebo horkých předmětů, včetně elektrických radiátorů, sporáků a podobných elektrických spotřebičů.

NEPOHYBUJTE koncentrátorem ani ho NEPŘETAHujte z místa na místo tak, že byste ho táhli za elektrický kabel.

NIKDY nenechte spadnout ani nevsunujte žádný předmět nebo nenalévejte tekutinu do žádného otvoru.

Společnost Invacare doporučuje, aby se s tímto výrobkem používaly kyslíkové hadičky Crush-Proof do délky 15,2m (50 stop).

Uživatel neprovádí servis na žádných částech zařízení. Toto nezahrnuje předměty běžné údržby. Předměty podléhající údržbě uživatelem najdete v části o údržbě.

Výrobek zapnutý v zásuvce se NIKDY nesmí nechat bez dozoru. Pokud se Perfecto₂ nepoužívá, ujistěte se, že je vypnut.

Pečlivý dozor je nutný, pokud se tento výrobek používá v blízkosti dětí nebo tělesně postižených osob.

Zvýšené sledování nebo dohled může být nutný, pokud tento přístroj používají pacienti, kteří nemohou slyšet nebo vidět poplašný signál nebo si stěžovat na nevolnost.

NEZAPOJUJTE koncentrátor paralelně nebo v sérii s jinými koncentrátory kyslíku nebo s přístroji pro terapii kyslíkem.

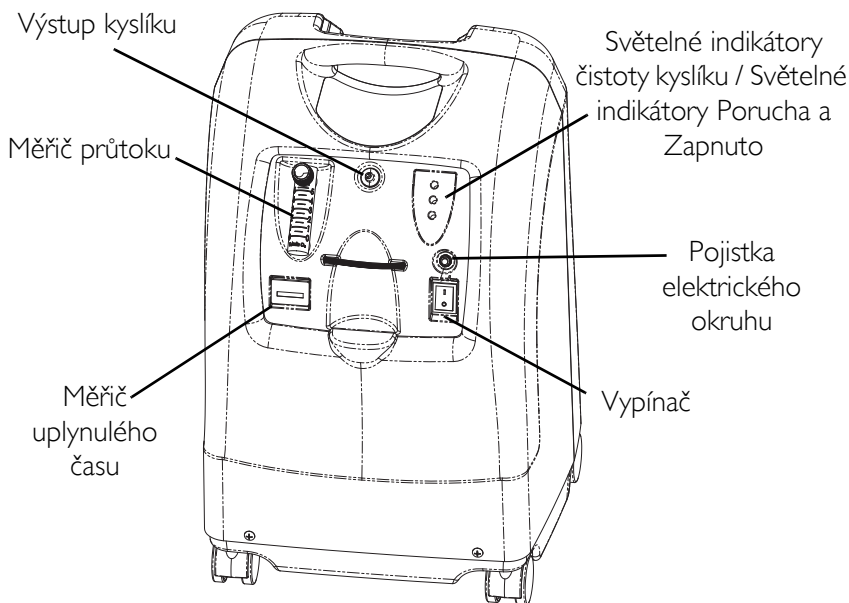
Vysokofrekvenční rušení

Toto zařízení bylo testováno a odpovídá EMC limitům specifikovaným v IEC/EN 60601-1-2. Tyto limity jsou určeny k poskytnutí rozumné ochrany proti elektromagnetickému rušení v typické instalaci ve zdravotnictví.

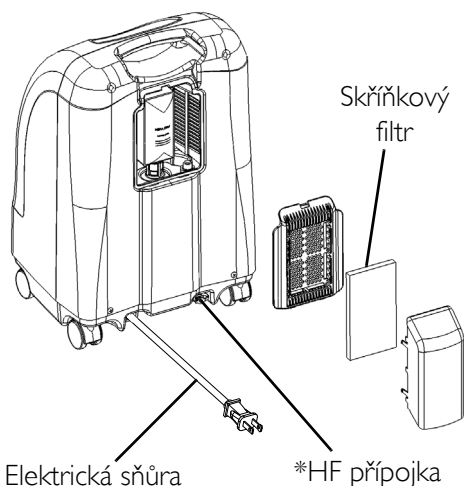
Jiná zařízení mohou být ovlivněna rušením i nízkými hodnotami elektromagnetického přenosu, který je povolen výše uvedenými normami. Abyste zjistili, zda rušení způsobuje přenos z Perfecto₂, vypněte Perfecto₂. Pokud se rušení jiného přístroje (jiných přístrojů) zastaví, pak Perfecto₂ způsobuje rušení. V takových řídkých případech lze rušení snížit nebo upravit jedním z následujících opatření:

- Otočte, přemístěte nebo zvětšete vzdálenost mezi přístroji.
- Zapojte obě (všechna) zařízení do různých zásuvek nebo do různých elektrických okruhů.

ČÁST 2—CHARAKTERISTIKA



POHLED ZE ZADU



***POZNÁMKA:** Tato přípojka se smí používat pouze pro plnění kyslíkových bomb s domácím kompresorem kyslíku HomeFill. Přípojka nemá vliv na výkon koncentrátoru. Instrukce k zapojení a provozu najdete v návodu k použití pro HomeFill, číslo součástky 1145804. Pokud se přípojka nepoužívá, měla by do ní být zasunuta zátka dodávaná s koncentrátorem. Pro více informací o HomeFill kontaktujte Vašeho dealera společnosti Invacare.

ČÁST 3—ZACHÁZENÍ

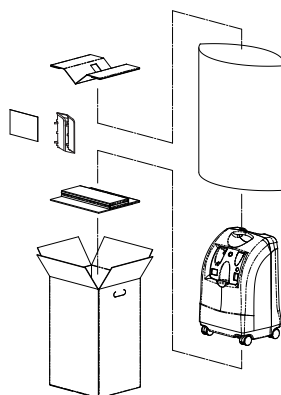
Koncentrátor musí **VŽDY** stát, aby se zabránilo poškození skříňky při transportu.

Pokud se koncentrátor bude posílat na jiné místo veřejným přepravcem, další kartony jsou k dispozici u společnosti Invacare.

Vybalování

POZNÁMKA: K provedení této procedury nahlédněte do OBRÁZEK 3.1.

1. Zkontrolujte, zda obal nebo jeho obsah nejsou viditelně poškozeny. Pokud najdete poškození, oznamte to veřejnému přepravci nebo svému místnímu dealerovi.
2. Vyndejte z kartonu všechny volně ležící obalové materiály.
3. Opatrně vyndejte z kartonu všechny komponenty.



OBRÁZEK 3.1 Vybalování

POZNÁMKA: Pokud se koncentrátor kyslíku nebude OKAMŽITĚ používat, ponechte jej v původním obalu k uskladnění, dokud se použití koncentrátoru nebude požadovat.

Inspekce

1. Zkontrolujte/prohlédněte koncentrátor kyslíku zvenku, zda není pořezaný, promáčkнутý, poškrábaný, nebo nemá jiná poškození. Zkontrolujte všechny komponenty.

Uskladnění

1. Koncentrátor kyslíku skladujte v původním obalu v suchém místě.
2. Na koncentrátor v původním obalu **NEPOKLÁDEJTE** žádné předměty.

ČÁST4—TECHNICKÝ POPIS

Koncentrátor Invacare Perfecto₂ používají pacienti s poruchami dýchání, kteří potřebují přídatný kyslík. Zařízení není určeno k podpoře života nebo k udržení při životě.








Hladina koncentrace kyslíku ve vycházejícím plynu se pohybuje od 87% do 95,6%. Kyslík je pacientovi dodáván s použitím nosní kanyly.

Aby se dosáhlo výstupu plynného kyslíku, koncentrátor Invacare Perfecto₂ používá molekulární sítko a metodu střídavé tlakové adsorpce. Okolní vzduch vstupuje do přístroje, filtruje se a stlačuje. Stlačený vzduch je pak nasměrován k jednomu ze dvou sítok, které adsorbují dusík. Koncentrovaný kyslík vychází z opačné strany aktivního sítka a je nasměrován do kyslíkové nádrže, odkud je dodáván pacientovi.

Pacient může používat koncentrátor Invacare Perfecto₂ buď doma, nebo ve zdravotnickém zařízení. Přístroj pracuje při nominálním napětí 230 VAC/50 Hertzů.

Informace o servisu budou k dispozici na požádání pouze kvalifikovanému technickému personálu.

ČÁST 5—TYPICKÉ PARAMETRY VÝROBKU

	Střídavý proud
	Zařízení typu BF
	Jednotka v provozu
	Jednotka není v provozu
	Pozor - Prohlédněte doprovodné dokumenty
	NEKUŘTE
	Třída II, Dvojitá izolace
IPX1	Chráněné proti kape voda
Požadavky na elektrický proud:	230 VAC \pm 10% (253 VAC/207 VAC), 50 Hz
Poměrný příkon proudu:	1.4 A
Hlasitost zvuku:	Průměrně 39,5 dBA
Nadmořská výška:	Všechny perfecto2 modely : až 8000 ft (2438 m) nad mořem bez zhoršení úrovně koncentrace . Od 8000 ft na 13,129 (4000 m) nižší než 90 % účinnosti. Všechny perfecto2 modelů při zaplňování homefill systému : až 6000 FT (1828 m) nad mořem bez zhoršení úrovně koncentrace . Od 6000 FT (1828 metrů) 13,129 FT (4000 m) nižší než 90 % účinnosti.
Hladiny koncentrace výstupu kyslíku:	87% až 95.6% při 0,5 do 5 L/min 93% \pm 3% at 2 L/min <i>POZNÁMKA: Uvedené hladiny koncentrace se dosáhnou po počáteční době zahřívání (přibližně 30 minut).</i>



ČÁST 5—TYPICKÉ PARAMETRY VÝROBKU

Maximální výstupní tlak:	34,5 kPa ± 3,45 kPa (5 psi ± 0,5 psi)
Rozsah průtoku:	0,5 do 5 l/min (maximum) Pro hladiny průtoku menší než 1 l/min doporučujeme používat příslušenství měřiče průtoku pro děti společnosti Invacare (IRCPFI6AW)
Poplašný signál nízkého průtoku:	0 l/min do 0,5 l/min Rychlé pípání zvukového alarmu (bez připojených příslušenství).
Elektrina - průměrná:	Perfecto₂AW - 300 W @ 5 L/min, 280 W @ 3 L/min Perfecto₂VAW - 320 W @ 5 L/min
Mechanismus na snížení tlaku pracuje při:	241 kPa ± 24,1 kPa (35 psi ± 3,5 psi)
Změna v maximálním doporučeném průtoku při aplikaci zpětné síly 7kPa:	0,7 l/min
Filtry:	Skříňka, ventil HEPA a nasávání kompresoru
Bezpečnostní systém:	Vypnutí kvůli přetížení nebo přepětí v síti Vypnutí kvůli vysoké teplotě kompresoru Poplašný signál vysokého tlaku s vypnutím kompresoru Poplašný signál nízkého tlaku s vypnutím kompresoru Poplašný signál při ztrátě napájení z baterie Poplašný signál nízkého průtoku kyslíkového systému SensO ₂ (Model SensO ₂)
Šířka:	38,1 cm ± 1 cm (15 palců ± 3/8 palce)
Výška:	58,4 cm ± 1 cm (23 palců ± 3/8 palce)
Hloubka:	30,5 cm ± 1 cm (12 palců ± 3/8 palce)
Váha:	Perfecto₂AW Models - 20.5 kg ± 1 kg (45 libry ± 2 libry) Perfecto₂VAW Models - 18.1 kg ± 1 kg (40 libry ± 2 libry)
Váha při dodání:	Perfecto₂AW Models - 22.7 kg ± 1 kg (50 libry ± 2 libry) Perfecto₂VAW Models - 20.4 kg ± 1 kg (45 libry ± 2 libry)
Provozní prostředí Teplota:	10°C - 35°C (50°F - 95°F) při 20-60% relativní vlhkosti vzduchu
Teplota chlazeného vzduchu z odsávání:	Méně než okolní teplota +19°C (+ 35°F)
Teplota vycházejícího kyslíku:	Méně než okolní teplota +3°C (+ 6°F)


ČÁST 5—TYPICKÉ PARAMETRY VÝROBKU

Skříňka:	Skříňka z umělé hmoty vzdorující nárazu, pomalu hořlavá, odpovídající normě UL 94-V0
Výrobek není AP/APG	Není vhodný pro použití v přítomnosti hořlavé anestetické směsi.
Seznam norem a předpisů:	IRC5PO2AW/IRC5PAW/IRC5PO2VAW: IEC/EN 60601-1, A1, A2 IEC/EN 60601-1-2 IEC/EN61000-3-2 IEC/EN61000-3-3 Pouze pro modely IRC5PO2AW/IRC5PO2VAW ISO8359 MDD 93/42/EEC, doložka I a IX
Model označený CE	IRC5PO2AW & IRC5PO2VAW
Elektrické:	Nepoužívat prodlužovací kabely
Umístění:	Ne blíže než 7,5 cm (3 palce) od jakékoli stěny, nábytku, závěsů nebo nábytku, aby se zajistil dostatečný přístup vzduchu Vyhnete se hlubokým vrstvám koberců a ohřivačům, radiátorům nebo regulátorům horkého vzduchu Stavět pouze na podlahu Neumísťujte v uzavřených prostorech (Na příklad: Ne ve skříni)
Hadičky:	2 metrová (7 stopová) kanyla s maximálně 15 metrovou (50 stopovou) hadičkou Crush-Proof (NESTLAČOVAT)
Provozní doba:	Až 24 hodin denně
Doporučená skladovací a přepravní teplota:	-29°C až 65°C (-20°F až 150°F) při 15-95% relativní vlhkosti vzduchu
Prostředí:	Bez kouře a sazí Neumísťujte v uzavřených prostorech (Na příklad: Ne ve skříni)
Minimum Operating Time:	30 minut

INDIKÁTORY IRC5PO2AW & IRC5PO2VAW

SYMBOL ŠTÍTKU	ČÍSTOTA O ₂	SVĚTELNÉ INDIKÁTORY (LED)
O ₂	SYSTÉM OKAY O ₂ přes 85% (± 2%)	ZELENÁ kontrolka
	O ₂ mezi 73% (± 3%) až 85% (±2%)	ŽLUTÁ kontrolka A. ŽLUTÁ svítí B. ŽLUTÁ kontrolka bliká Selhání Zavolejte kvalifikovaného technika.
	SYSTÉM SELHAL O ₂ pod 73% (±3%)	ČERVENÁ kontrolka Nepřetržitý zvukový alarm, kompresor Sieve-GARD se vypnul

INDIKÁTORY IRC5PAW

SYMBOL ŠTÍTKU	STATUS	SVĚTELNÉ INDIKÁTORY (LED)
I/O	SYSTÉM OKAY	ZELENÁ kontrolka
	SYSTÉM SELHAL	ČERVENÁ kontrolka Nepřetržitý zvukový alarm, kompresor Sieve-GARD™ se vypnul Zavolejte kvalifikovaného technika

ČÁST 6—NÁVOD K POUŽITÍ

Úvod

Váš koncentrátor kyslíku je určen k individuálnímu použití. Je to elektronické zařízení, které odděluje kyslík ze vzduchu v místnosti. Skrze nosní kanylu je Vám přímo dodáván vysoce koncentrovaný kyslík. Klinické studie zaznamenaly, že koncentrátory kyslíku jsou terapeuticky ekvivalentní jiným typům systémů, které dodávají kyslík.

Lékař Vám ukáže, jak se koncentrátor kyslíku používá. Budete se na něho (ni) obracet s jakýmkoli otázkami nebo problémy týkajícími se Vašeho koncentrátoru kyslíku. O svém koncentrátoru si přečtete v návodu k použití, který také poslouží jako referenční materiál, až budete koncentrátor používat.

Vyberte místo

UPOZORNĚNÍ

NIKDY neblokuje vzduchové otvory výrobku ani ho nestavte na měkký povrch, jako např. postel nebo válenda, kde by mohlo dojít k zablokování vzduchového otvoru. Nedopusťte, aby se otvory zanesly vlákny, vlasy apod.

Umístěte zařízení ve vzdálenosti nejméně 7,5 cm (3 palce) od stěn, závěsů, nábytku a podobně.

Vyberte v domě místnost, kde používání koncentrátoru kyslíku bude nejvhodnější. Koncentrátor můžete snadno na kolečkách přetáhnout z jedné místnosti do druhé.

Váš koncentrátor kyslíku bude nejlépe pracovat za podmínek uvedených v Typické parametry výrobku na straně 180. Použití v jiném prostředí, než je popsáno, může mít za následek zvýšenou potřebu údržby zařízení. Nasávání vzduchu do zařízení by se mělo umístit v dobře větraném prostoru, aby se zabránilo přístupu znečištěného vzduchu a/nebo výparů. Nepoužívat ve skříni.

Nastavení

1. Zapojte elektrický kabel do zásuvky.
2. Připojte zvlhčovač vzduchu (pokud ho máte předepsaný)

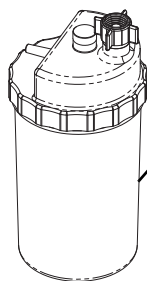
⚠ UPOZORNĚNÍ

Zvlhčovač vzduchu **NEPŘEPLŇUJTE**.

NEZAMĚŇTE zapojení vstupu a výstupu kyslíku. Voda z láhve zvlhčovače vzduchu bude procházet kanylou zpět k pacientovi.

POZNÁMKA: K provedení této procedury nahlédněte do OBRÁZEK 6.1, OBRÁZEK 6.2 na straně 186, OBRÁZEK 6.3 na straně 187.

1. Odstraňte uzávěr z láhve.
2. Naplňte zvlhčovač vzduchu destilovanou vodou do úrovně označené výrobcem. Nasaďte zpět uzávěr zvlhčovače vzduchu a pevně ho utáhněte.



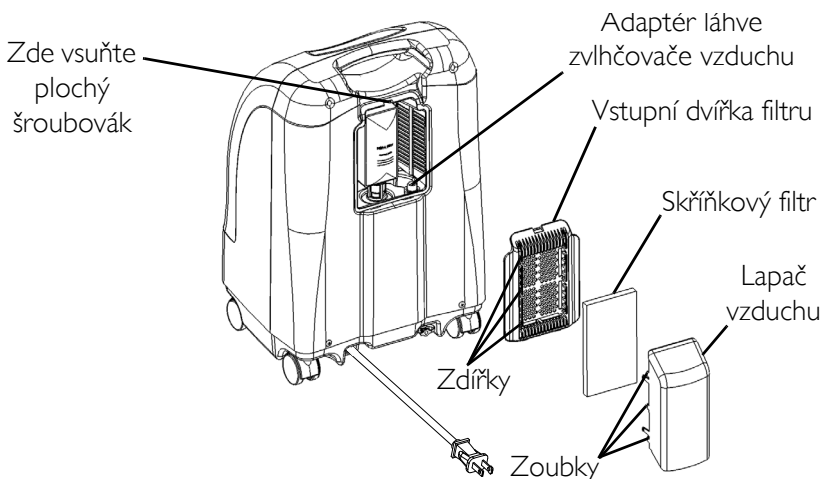
Láhev zvlhčovače vzduchu s uzávěrem



Láhev zvlhčovače vzduchu bez uzávěru

OBRÁZEK 6.1 Plnění zvlhčovače vzduchu

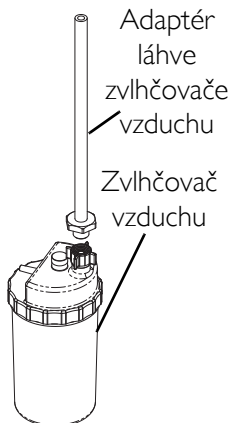
3. Vsuňte plochý šroubovák do drážky na plošince na horní hraně vstupních dveří filtra a páčivým pohybem opatrně vstupní dvířka filtra otevřete (OBRÁZEK 6.2).
4. Tahem nahoru vyndejte adaptér láhve zvlhčovače vzduchu (OBRÁZEK 6.2).
5. Vraťte na místo vstupní dvířka filtra a nainstalujte lapač vzduchu na vstupní dvířka filtra tak, že zasunete šest zoubků na lapači vzduchu do šesti zdířek na stranách vstupních dveří filtra.



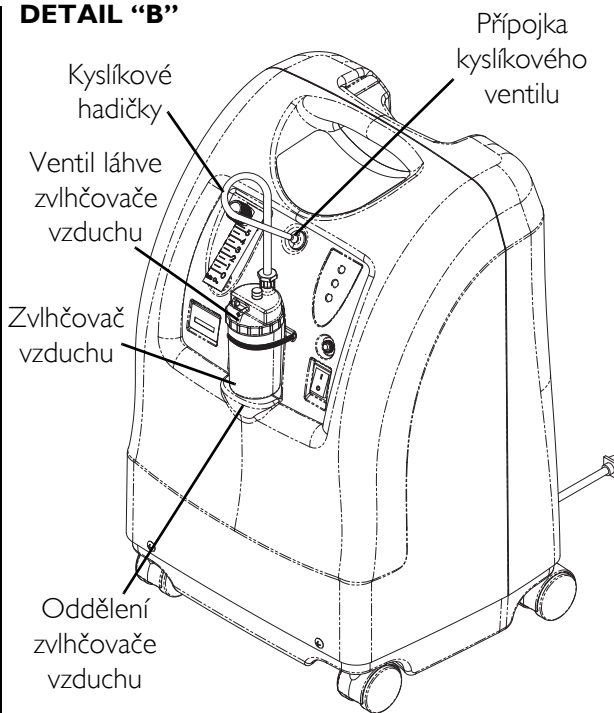
OBRÁZEK 6.2 Adaptér láhve zvlhčovače vzduchu

6. Připojte adaptér láhve zvlhčovače vzduchu k láhvi zvlhčovače vzduchu tak, že otáčíte křídlatou maticí na láhvi zvlhčovače vzduchu proti směru hodinových ručiček až do úplného zatažení. Viz detail "A" v OBRÁZEK 6.3.
7. Umístěte sestavu láhev zvlhčovače vzduchu/adaptér do oddělení zvlhčovače vzduchu na koncentrátoru. Viz detail "B" v OBRÁZEK 6.3.
8. Připojte kyslíkové hadičky ze sestavy láhev zvlhčovače vzduchu/adaptér k přípojce kyslíkového ventilu na koncentrátoru. Viz detail "B" v OBRÁZEK 6.3.
9. Připojte vstupní hadičky kanyla/pacient k ventilu láhve zvlhčovače vzduchu. Viz detail "B" v OBRÁZEK 6.3.
10. Po připojení zkontrolujte, že kyslík prochází přes kanylu.

DETAIL "A"



DETAIL "B"



OBRÁZEK 6.3 Oddělení zvlhčovače vzduchu

Vypínač

POZNÁMKA: K provedení této procedury nahlédněte do OBRÁZEK 6.4.

1. Stlačte vypínač do polohy Zapnuto. Na jednu vteřinu se rozsvítí všechny kontrolky na panelu a zazní poplašný signál, to znamená, že přístroj správně funguje.



OBRÁZEK 6.4 Vypínač

Průtok

POZNÁMKA: K provedení této procedury nahlédněte do OBRÁZEK 6.5.

POZNÁMKA: Postarejte se, aby průtok nebyl nastaven nad ČERVENÝ kroužek. Průtok kyslíku vyšší než 5 l/min sníží koncentraci kyslíku.

1. Nastavte knoflík regulující průtok na hodnotu předepsanou Vaším lékařem nebo terapeutem.

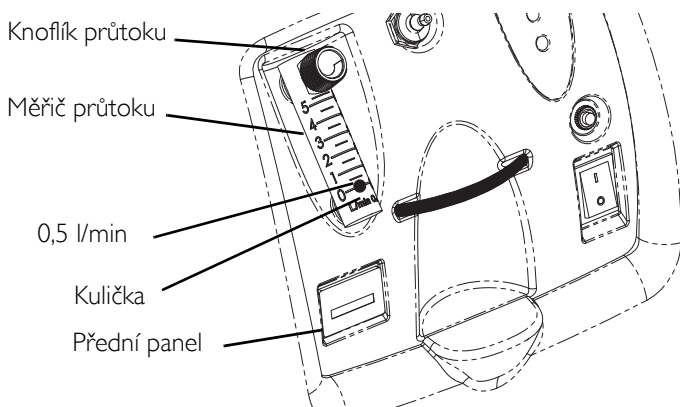
⚠ UPOZORNĚNÍ

NEMĚŇTE nastavení l/min na měřiči průtoku, pokud změnu nepředepsal Váš lékař nebo terapeut.

POZNÁMKA: Abyste správně četli měřič průtoku, najděte na něm předepsanou rysku úrovně průtoku. Dále otáčejte knoflíkem regulujícím průtok dokud kulička nevystoupí k rysce. Nyní umístěte kuličku do středu předepsané rysky průtoku l/min.

2. Pokud průtok na měřiči průtoku někdy klesne pod 0,5 l/min na dobu delší než jedna minuta, zazní poplašný signál NÍZKÝ PRŮTOK. Je to rychlé pípání zvukového poplašného zařízení. Zkontrolujte hadičky nebo příslušenství zdali nejsou hadičky zablokovány nebo zauzlovány nebo zda láhev zvlhčovače vzduchu není defektní. Poplašný signál NÍZKÝ PRŮTOK skončí, když průtok překročí hladinu 0,5 l/min.

POZNÁMKA: Užívání některých příslušenství, jako například průtokového stojanu pro děti a kompresoru HomeFill, deaktivuje poplašný signál nízkého průtoku.



OBRÁZEK 6.5 Průtok

Indikátor čistoty kyslíku SensO₂ - Model IRC5PO2AW & IRC5PO2VAW

Tato vlastnost monitoruje čistotu kyslíku generovaného koncentrátorem kyslíku. Pokud čistota klesne pod normu nastavenou výrobcem, rozsvítí se světelný indikátor na kontrolním panelu.

Počáteční spuštění koncentrátoru

POZNÁMKA: Koncentrátor se může používat během počátečního zahřívání po zapnutí (přibližně 30 min.), zatímco čekáme, až čistota O₂ dosáhne maxima.

Když je přístroj zapnut, rozsvítí se zelená kontrolka (SYSTÉM OK/O₂ vyšší než 85%). Po pěti minutách bude sensor kyslíku pracovat normálně a bude kontrolovat světelné indikátory v závislosti na hodnotách koncentrace kyslíku.

Vysvětlení světelných indikátorů čistoty kyslíku - Model IRC5PO2AW & IRC5PO2VAW

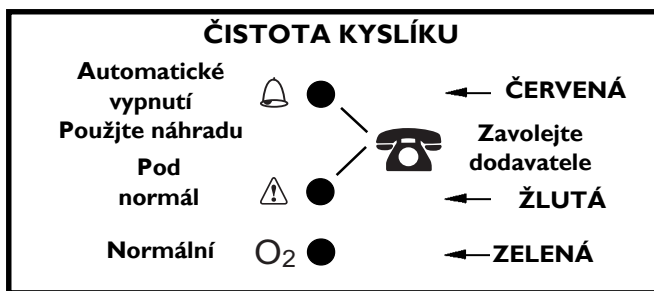
POZNÁMKA: K provedení této procedury nahlédněte do OBRÁZEK 6.6 na straně 190.

ZELENÁ kontrolka (O₂) - Normální operace.

ŽLUTÁ kontrolka (⚠) - Okamžitě zavolejte dodavatele. Můžete dále používat koncentrátor, pokud Vám dodavatel nedá jiné instrukce. Ujistěte se, že náhradní kyslík je k dispozici.

ČERVENÁ kontrolka (🚫) - Přístroj nepracuje. Okamžitě přepněte na náhradní zásobu kyslíku a zavolejte dodavatele.

ZELENÁ kontrolka - s blikající ŽLUTOU kontrolkou - Okamžitě zavolejte dodavatele. Sensor kyslíku má poruchu; můžete dále používat koncentrátor.



OBRÁZEK 6.6 Vysvětlení světelných indikátorů čistoty kyslíku - Model IRC5PO2AW & IRC5PO2VAW

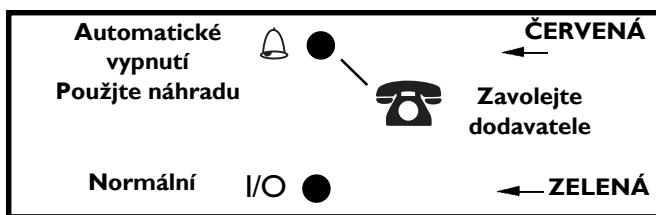
Vysvětlení světelných indikátorů - Model IRC5PAW

POZNÁMKA: K provedení této procedury nahlédněte do OBRÁZEK 6.7.

Vysvětlení světelných indikátorů pro model IRC5PAW

ČERVENÁ kontrolka (🔔) - Přístroj nepracuje. Okamžitě přepněte na náhradní zásobu kyslíku a zavolejte dodavatele.

ZELENÁ kontrolka (I/O) - Zapnuto/Vypnuto. Systém ok.



OBRÁZEK 6.7 Vysvětlení světelných indikátorů - Model IRC5PAW

Měřič uplynulého času (Hodinový měřič)

Hodinový měřič ukazuje celkový počet hodin, kdy jednotka byla v provozu.

ČÁST 7—ÚDRŽBA

UPOZORNĚNÍ

Koncentrátory Invacare jsou specificky navrženy tak, aby se minimalizovala rutinní preventivní údržba. Pouze kvalifikovaný personál smí provádět preventivní údržbu koncentrátoru.

Při čištění vypněte koncentrátor ze zásuvky. NESUNDÁVEJTE skříňku, zabráníte tak úrazu elektrickým proudem.

POZNÁMKA: Jako minimum MUSÍ být preventivní údržba prováděna podle směrnic záznamů o údržbě. V místech, kde je mnoho prachu nebo sazí, se údržba bude muset pravděpodobně provádět častěji. Viz Záznam preventivní údržby na straně 193.

Rutinní údržba

Následující rutinní údržba by se měla provádět častěji. Viz doporučené intervaly v každé části a Záznam preventivní údržby na straně 193.

Čištění filtru ve skřínce

VÝSTRAHA

NEPOUŽÍVEJTE koncentrátor bez nainstalovaného filtru.

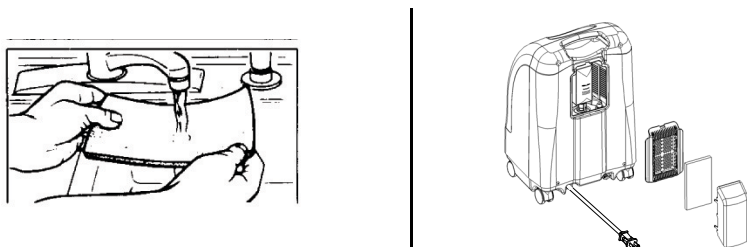
POZNÁMKA: K provedení této procedury nahlédněte do OBRÁZEK 7.1 na straně 192.

POZNÁMKA: Jeden filtr je umístěn v zadní straně skříňky.

1. Kontrolujte filtr každý měsíc. Podle potřeby filtr vyndejte a vyčistěte.

POZNÁMKA: Okolní podmínky, které mohou vyžadovat častější inspekci a čištění filtru zahrnují, kromě jiného: vysokou prašnost, znečištění vzduchu, atd.

2. Vyčistěte filtr vysavačem nebo promyjte v teplé vodě s mýdlem a pečlivě propláchněte.
3. Před zpětnou instalací filtr pečlivě vysušte.



OBRÁZEK 7.1 Čištění filtru ve skříňce

Čištění skříňky

1. Skříňku vymyjte jemným čistícím prostředkem pro domácnost a měkkým hadříkem nebo houbou.

Čištění zvlhčovače vzduchu

POZNÁMKA: Při čištění kyslíkového zvlhčovače vzduchu se řiďte instrukcemi, které poskytl výrobce. Pokud takové instrukce neexistují, řiďte se následujícími KROKY:

1. Čistěte zvlhčovač vzduchu každý den.
2. Omyjte ho ve vodě s mýdlem a opláchněte roztokem, který obsahuje deset dílů vody a jeden díl octa.
3. Opláchněte pečlivě horkou vodou a naplňte destilovanou vodou na úroveň udanou na zvlhčovači vzduchu.

ČÁST 8—PRŮVODCE K ŘEŠENÍ PROBLÉMŮ

SYMPTOM:	PRAVDĚPODOBNÁ PŘÍČINA:	ŘEŠENÍ:
<p>Poplach:</p> <p>Krátké pípání, dlouhá přestávka</p> <p>Koncentrátor nepracuje, vypínač je v poloze Zapnuto</p> <p>Píp.....Píp.....</p>	<p>Výpadek elektrického proudu:</p> <p>1. Elektrický kabel není zapojen do zásuvky.</p> <p>2. V zásuvce není elektrický proud.</p> <p>3. Vypadlá pojistka.</p>	<p>1. Zapojte kabel do zásuvky.</p> <p>2. Zkontrolujte v domě pojistky. Pokud by se problém opakoval, použijte jinou zásuvku.</p> <p>3. Stiskněte / znovu nastavte pojistku. Pokud by se problém opakoval, zavolejte servisní oddělení.</p>
<p>Poplach:</p> <p>Nepřetržitý</p> <p>Koncentrátor nepracuje, vypínač je v poloze Zapnuto."</p> <p>Píiiiiiiíp...</p>	<p>Selhání systému:</p> <p>1. Jednotka se přehřála, protože je zablokováno nasávání vzduchu.</p> <p>2. V zásuvce není dostatek elektrického proudu.</p> <p>3. Je třeba provést opravu uvnitř zařízení.</p>	<p>1a. Vynejte filtry ze skříňky a vyčistěte je.</p> <p>1b. Odtáhněte koncentrátor kyslíku nejméně tři palce od stěn, závěsů nebo nábytku.</p> <p>2. NEPOUŽÍVEJTE prodlužovací kabely. Přesuňte se k jiné zásuvce nebo elektrickému okruhu.</p> <p>3. Zavolejte servisní oddělení.</p>

SYMPTOM:	PRAVDĚPODOBNÁ PŘÍČINA:	ŘEŠENÍ:
<p>Svítil ŽLUTÁ nebo ČERVENÁ kontrolka</p> <p>Poplach: Nepřetržitý Svítil pouze ČERVENÁ kontrolka</p> <p>* Týká se pouze modelů IRC5PO2AW & IRCPO2VAW</p>	<p>1. Nízká čistota kyslíku.*</p> <p>2. Zauzlené nebo zablokované hadičky, kanyla nebo zvlhčovač vzduchu.*</p> <p>3. Měřič průtoku nastaven na 0,5 l/min *.</p> <p>4. Jednotka se přehřála, protože je zablokováno nasávání vzduchu.</p> <p>5. V zásuvce není dostatek elektrického proudu.</p> <p>6. Je třeba provést opravu uvnitř zařízení.</p>	<p>1. Vyčistěte nebo vyměňte filtry.</p> <p>2. Zkontrolujte, zda nedošlo k zauzlení nebo ucpání. Opravte, vyčistěte nebo vyměňte součástku. Po opravě vypněte přístroj na 60 vteřin a pak ho opět zapněte.</p> <p>3. Zkontrolujte, že měřič průtoku je nastaven na hodnotu 1,0 l/min nebo více. Viz <u>Typické parametry výroby</u> na straně 180.</p> <p>4a. Vyndejte filtry ze skříňky a vyčistěte je 4b. Odtáhněte koncentrátor nejméně tři palce od stěn, závěsů a nábytku.</p> <p>5. NEPOUŽÍVEJTE prodlužovací kabely. Přesuňte se k jiné zásuvce nebo elektrickému okruhu.</p> <p>6. Zavolejte servisní oddělení.</p>
<p>ZELENÁ kontrolka svítí a ŽLUTÁ bliká</p>	<p>1. Je třeba provést opravu uvnitř zařízení.</p>	<p>1. Zavolejte servisní oddělení.</p>

SYMPTOM:	PRAVDĚPODOBNÁ PŘÍČINA:	ŘEŠENÍ:
<p>Poplach: Rychlý</p> <p>Píp...Píp... Píp...Píp...</p>	<p>POPLAŠNÝ SIGNÁL NÍZKÉHO PRŮTOKU</p> <p>1. Zauzlené nebo zablokované hadičky, kanyla nebo zvlhčovač vzduchu.</p> <p>2. Měřič průtoku nastaven na 0,5 l/min.</p>	<p>1. Zkontrolujte, zda nedošlo k zauzlení nebo ucpaní. Opravte, vyčistěte nebo vyměňte součástku. Po opravě vypněte přístroj na 60 vteřin a pak ho opět zapněte.</p> <p>2. Průtok nižší než 1 l/min se nedoporučuje.</p>

ČÁST 9—ZVLÁŠTNÍ PŘÍSLUŠENSTVÍ

K dispozici jsou také následující zvláštní příslušenství:

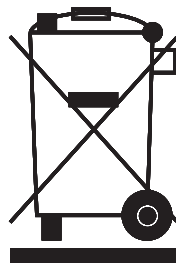
- Standardní nosní kanyla pro dospělé, 2,1m (7 stop) - M3120
- Standardní zvlhčovač vzduchu - M5120
- PreciseRX™ dětský zvlhčovač vzduchu / příslušenství k měřiči průtoků - IRCPF16AW
- HomeFill domácí kompresor kyslíku - IOH200AW

INFORMACE O RECYKLOVÁNÍ

Tento produkt dodává výrobce, který si je vědom ochrany životního prostředí a dodržuje předpisy Waste Electrical and Electronic Equipment (O správném odstraňování elektrického a elektronického zařízení) (WEEE) Direktiva 2002/96/CE..

Tento produkt může obsahovat látky, které mohou být škodlivé životnímu prostředí, pokud budou likvidovány v místech (skládkách) podle zákona nevhodných.

Na tento výrobek jsme umístili symbol "přeškrtnutý odpadkový koš", abychom podpořili recyklování, pokud je to možné.



Prosíme, abyste se chovali zodpovědně k životnímu prostředí a recyklovali tento produkt až nebude dále použitelný, ve svém recyklovacím zařízení.

OMEZENÁ ZÁRUKA

Belgium & Luxemburg:

Invacare nv, Autobaan 22, B-8210 Loppem
Tel: (32) (0) 50 83 10 10
Fax: (32) (0) 50 83 10 11
belgium@invacare.com

Danmark:

Invacare A/S, Sdr. Ringvej 37, DK-2605
Brøndby
Tel: (45) (0)36 90 00 00
Fax: (45) (0)36 90 00 01
denmark@invacare.com

Deutschland:

Invacare Aquatec GmbH,
Alemanenstraße 10, D-88316 Isny
Tel: (49) (0)75 62 7 00 0
Fax: (49) (0)75 62 7 00 66
info@invacare-aquatec.com

European Distributor Organisation:

Invacare, Kleiststraße 49, D-32457 Porta
Westfalica
Tel: (49) (0)57 31 754 540
Fax: (49) (0)57 31 754 541
edo@invacare.com

España:

Invacare SA, c/Areny s/n, Polígon
Industrial de Celrà, E-17460 Celrà (Girona)
Tel: (34) (0)972 49 32 00
Fax: (34) (0)972 49 32 20
contactsp@invacare.com

France:

Invacare Poirier SAS, Route de St Roch,
F-37230 Fondettes
Tel: (33) (0)2 47 62 64 66
Fax: (33) (0)2 47 42 12 24
contactfr@invacare.com

Switzerland:

Invacare AG,
Benkenstrasse 260, CH-4108 Witterswil
Tel: (41) (0)61 487 70 80
Fax: (41) (0)61 487 70 81
switzerland@invacare.com

Ireland:

Invacare Ireland Ltd, Unit 5 Seatown
Business Campus,
Seatown Road, Swords, County Dublin –
Ireland
Tel: (353) 1 810 7084
Fax: (353) 1 810 7085
ireland@invacare.com

Italia:

Invacare Mecc San s.r.l., Via dei Pini 62,
I-36016 Thiene (VI)
Tel: (39) 0445 38 00 59
Fax: (39) 0445 38 00 34
italia@invacare.com

Nederland:

Invacare BV, Celsiusstraat 46, NL-6716 BZ
Ede
Tel: (31) (0)318 695 757
Fax: (31) (0)318 695 758
nederland@invacare.com
csede@invacare.com

Norge:

Invacare AS, Grensesvingen 9, Postboks
6230, Etterstad, N-0603 Oslo
Tel: (47) (0)22 57 95 00
Fax: (47) (0)22 57 95 01
norway@invacare.com
island@invacare.com

Österreich:

Invacare Austria GmbH, Herzog
Odiolstrasse 101, A-5310 Mondsee
Tel: (43) 6232 5535 0
Fax: (43) 6232 5535 4
info@invacare-austria.com

Sverige & Suomi:

Invacare AB, Fagerstagatan 9,
S-163 91 Spånga
Tel: (46) (0)8 761 70 90
Fax: (46) (0)8 761 81 08
sweden@invacare.com
finland@invacare.com

United Kingdom:

Invacare Limited, Pencoed Technology
Park, Pencoed, Bridgend CF35 5HZ
Tel: (44) (0) 1656 776200
Fax: (44) (0) 1656 776201
Customer Services:
Tel: (44) (0) 1656 776222
Fax: (44) (0) 1656 776220
UK@invacare.com

Portugal:

Invacare Lda,
Rua Estrada Velha, 949, P-4465-784 Leça do
Balio
Tel: (351) (0)225 1059 46/47
Fax: (351) (0)225 1057 39
portugal@invacare.com



Yes, you can.

Invacare Corporation

www.invacare.com

USA

One Invacare Way
Elyria, Ohio USA
44036-2125
440-329-6000
800-333-6900
Technical Services
440-329-6593
800-832-4707

Manufacturer:
Invacare Rehabilitation
Equipment(Suzhou) Co., Ltd.
No. 435 Xieyu Street, SIP
Suzhou, Jiangsu, PRC
215028
Tel: 86-512-62586180
Fax: 86-512-62586167



EU Representative
Invacare International Sarl
Route de Cité Ouest 2
1196 Gland
Switzerland
Tel: +41 22 354 60 10
Fax: +41 22 354 60 11

© 2010 Invacare Corporation. All rights reserved. Republication, duplication or modification in whole or in part is prohibited without prior written permission from Invacare. Trademarks are identified by TM and [®]. All trademarks are owned by or licensed to Invacare Corporation or its subsidiaries unless otherwise noted.

Part No 1163145



Rev C - 12/10

