

Spare Parts Catalogue

Version: 2010/05/06a EN



Invacare® **ORION**



Yes, you can.®

General Information

For any order of spare parts the following information is required:

- Product type*
- Product name & model*
- Serial Number*
- Part-Number*
- Part-Description*

Exploded view drawings and code numbers are not contractual and subject to modification, in relation to Invacare® continuous product improvement policy to meet end users needs.

The reproduction or use of this work, or of any substantial part of this work, in any form or by any electronic, mechanical or other means, including photocopying, scanning and recording, and in any information storage and retrieval system, including electronic transmission, is forbidden without the prior written permission of Invacare® International Sarl.



Yes, you can.®

TABLE OF CONTENTS

Information

User Manuals Orion	5
Colours	6
Accessory Compatibility	7

Chassis

Frontframe 4-Wheeler	8
Front Shroud 4 Wheeler	9
Frame 3-Wheeler	10
Rear Frame	11
Front Shroud 3-Wheeler	12
Rear Shroud	13

Seat

Seat & Seatoptions	14
--------------------------	----

Front / Rear Wheel

Front Wheel 3 Wheeler	15
Front Wheel & Steering 4 Wheeler	16

Propulsion

Rear Wheels & Propulsion 6/10 km/h	17
Rear Wheels & Propulsion 12 km/h	18

Brakes

Brakes 3 Wheeler	19
Brakes 4 Wheeler	20

Steering

Steering	21
Steering Details	22

Cable and Charger

Cable & Charger	23
-----------------------	----

Safety Options

Warning Triangle	24
------------------------	----

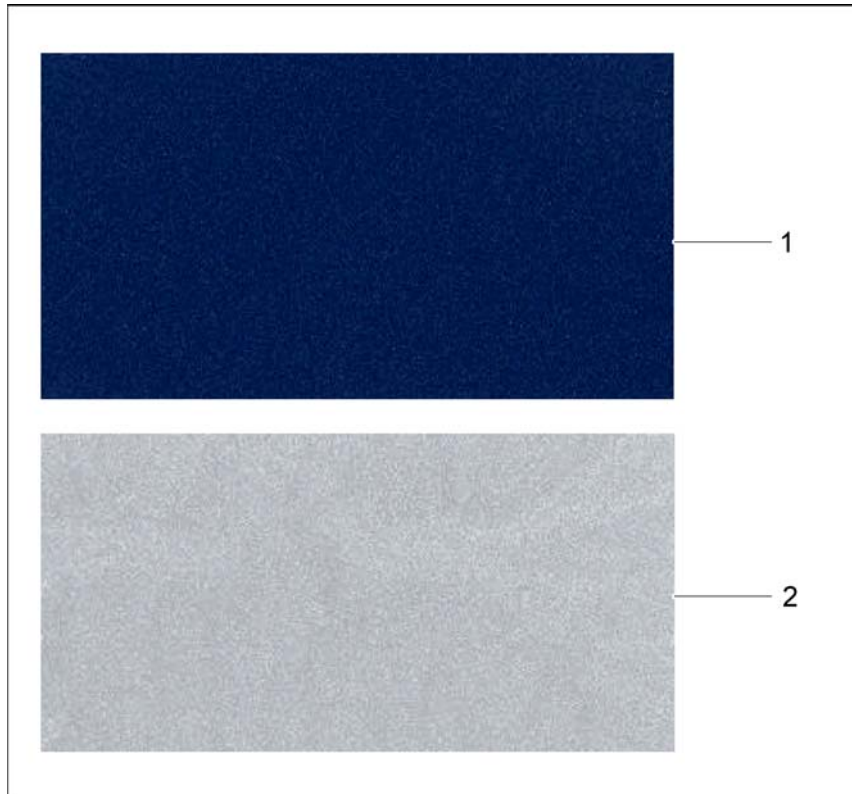
Other Options & Accessories

Accessories	25
Accessory Compatibility	7

CS ČESKY	FR FRANÇAIS	PL POLSKI
DA DANSK	HR HRVATSKI	PT PORTUGUÊS
DE DEUTSCH	HU MAGYAR	SK SLOVENČINA
EN ENGLISH	IT ITALIANO	SL SLOVENŠČINA
ES ESPAÑOL	LT LIETUVIŲ KALBA	SV SVENSKA
ET EESTI KEEL	NL NEDERLANDS	RO ROMÂNĂ
FI SUOMEN KIELI	NO NORSK	JA 日本語

Pos.	Part number	Description	Valid from → until	Qty
CZ	1514609	User Manual Orion Czech		1
DA	1514693	User Manual Orion Danish		1
DE	1514694	User Manual Orion German		1
EN	1514695	User Manual Orion English		1
ES	1514720	User Manual Orion Spanish		1
FR	1514721	User Manual Orion French		1
IT	1514722	User Manual Orion Italian		1
LT	1514723	User Manual Orion Lithuanian		1
NL	1514724	User Manual Orion Dutch		1
NO	1514725	User Manual Orion Norwegian		1
PL	1514726	User Manual Orion Polish		1
PT	1514727	User Manual Orion Portuguese		1
SL	1514771	User Manual Orion Slovenian		1
SV	1514820	User Manual Orion Swedish		1
ET	1517334	User Manual Orion Estonian		1
FI	1527702	User Manual Orion Finsk		1



























Colours



Pos.	Part number	Description	Valid from → until	Qty
1	SP1523462	Tuch Up Paint Onyx Blue		1
2	SP1523450	Tuch Up Paint Moonstone Silver		1

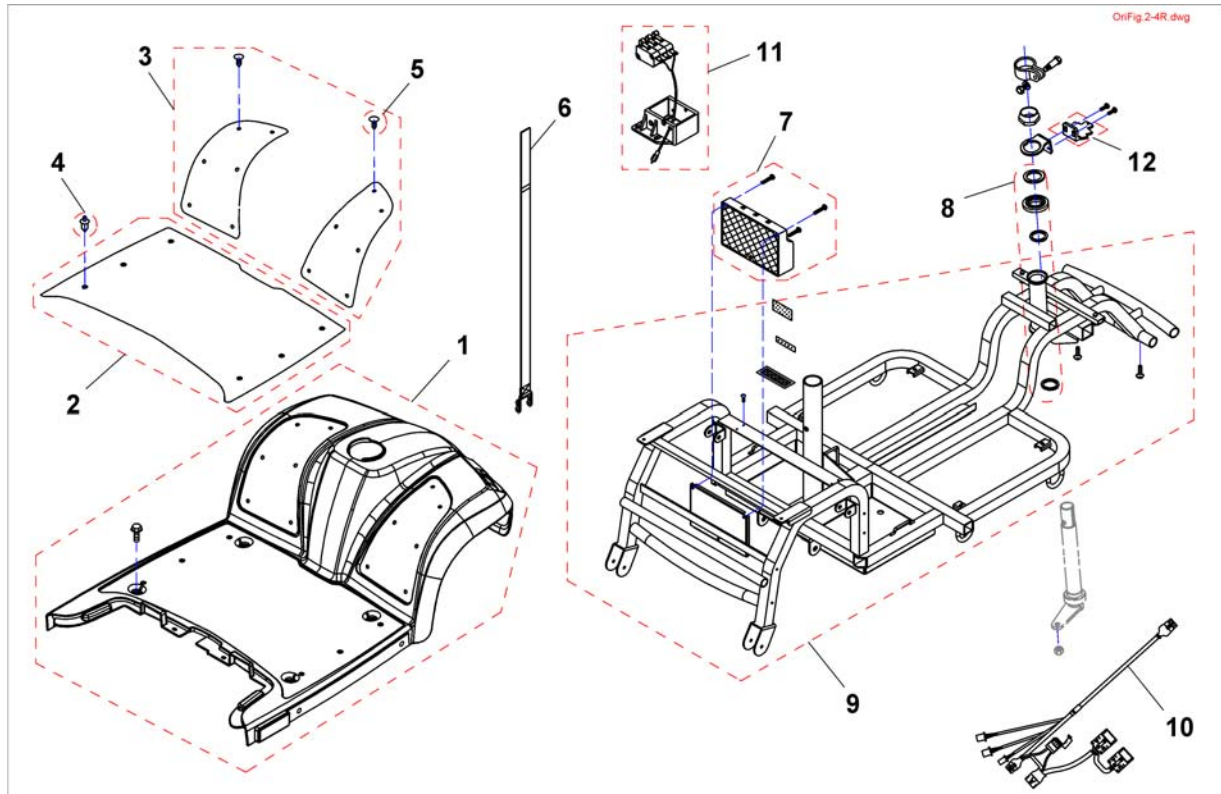
Accessory Compatibility

Orion.smp.dwg

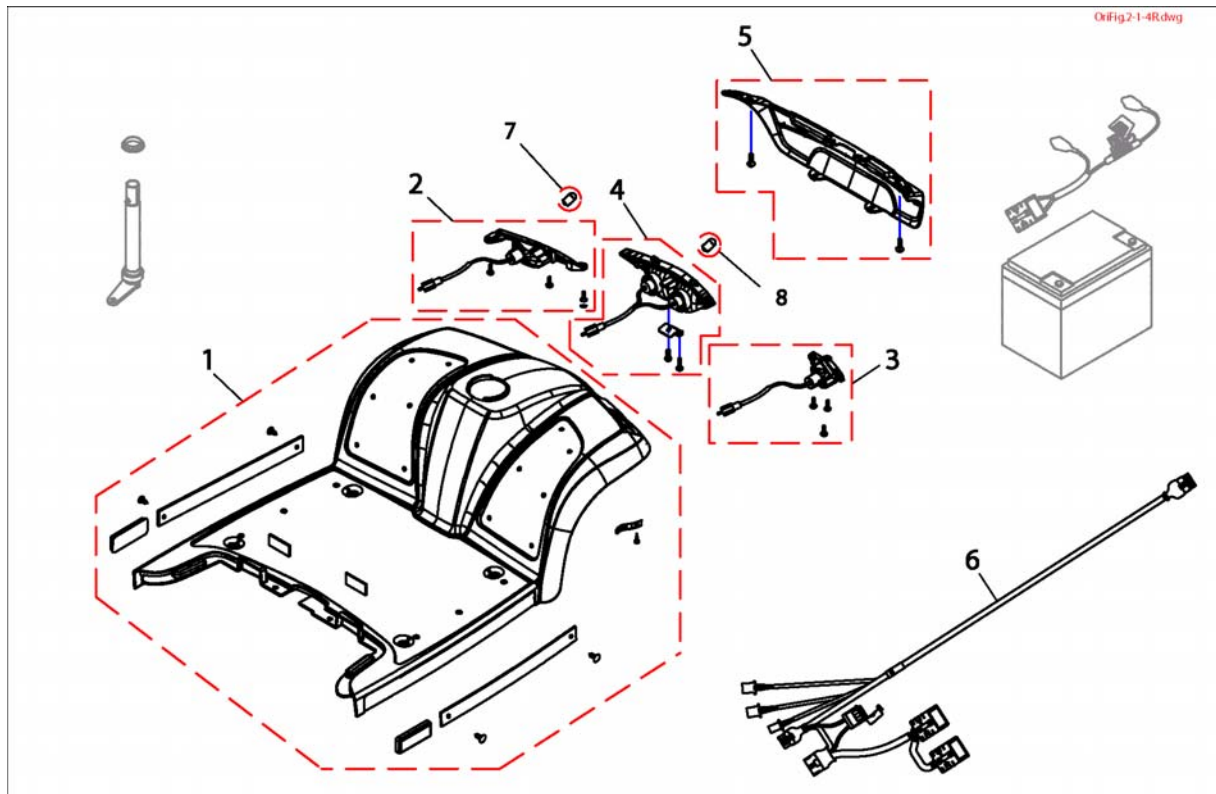
Pos.	Part number	Description	Valid from → until	Qty
-	-	-		1

Frontframe 4-Wheeler



Pos.	Part number	Description	Valid from → until	Qty
1	SP1517290	Front Shroud 4 Wheeler, silver		1
1	SP1521654	Front Shroud 4 Wheeler, blue		1
2	SP1517291	Pad, Leg Shield		1
3	SP1517292	Pad Front RH/LH		1
4	1505476	Push Rivet, Pad		1
5	SP1505479	Tree Rivet (6 Pieces)		1
6	1505482	Band, Battery Comp.		1
7	SP1517316	Controller Rhino 70A		1
7	SP1517317	Controller Rhino 110A		1
8	SP1505487	Bearing		1
9	SP1517348	Front Frame 4 Wheeler		1
10	SP1527399	Wire, Harness		1
11	SP1521836	Speed Limit Switch 6 km/h		1
11	SP1522420	Speed Limit Switch 10 km/h		1
11	SP1522027	Speed Limit Switch 12/15 km/h		1
12	SP1536164	Trigger limit switch		1

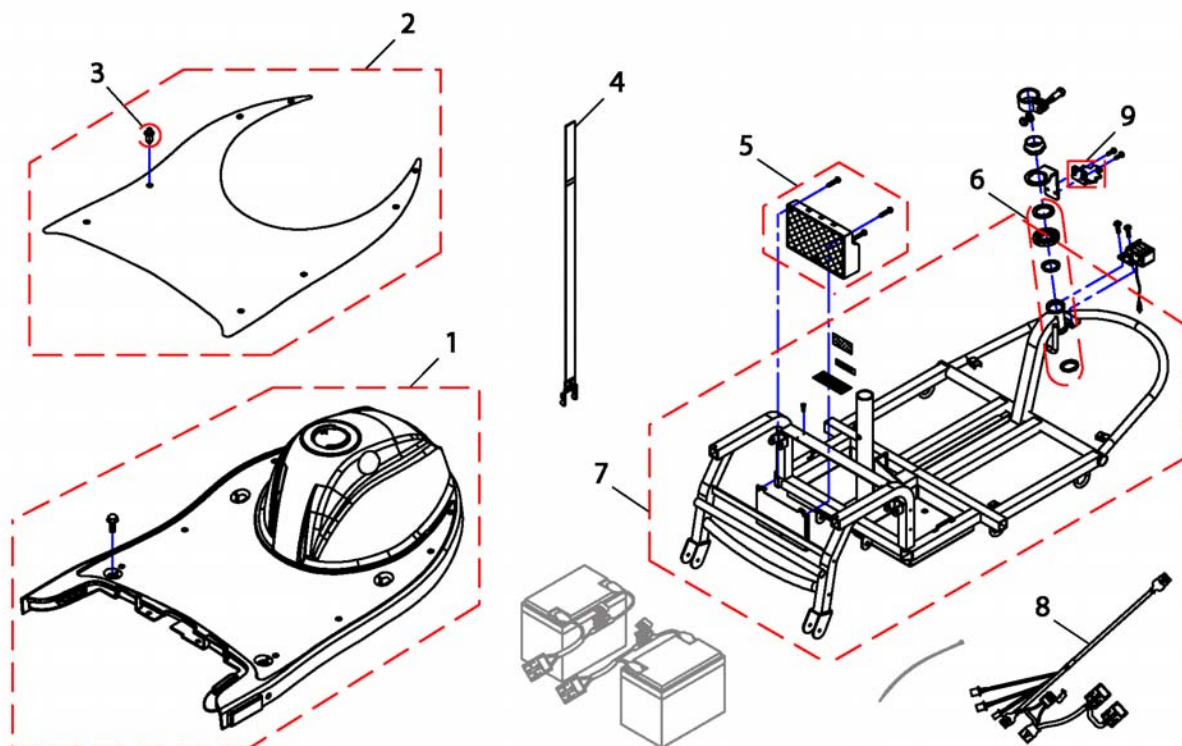
Front Shroud 4 Wheeler



Pos.	Part number	Description	Valid from → until	Qty
1	SP1517290	Front Shroud 4 Wheeler, silver		1
1	SP1521654	Front Shroud 4 Wheeler, blue		1
2	SP1517733	Turn Signal LH		1
3	SP1517734	Turn Signal RH		1
4	SP1517878	Head Light, compl.	→ 20080801	1
4	SP1527473	Head Light, compl.	20080802 →	1
5	SP1517881	Cover Bumper Front		1
6	SP1527399	Wire, Harness		1
8	SP1522029	Bulb Head Light 24V/21W	→ 20080801	1
8	SP1527474	Bulb Head Light 12V/15W	20080802 →	1
7	SP1522030	Bulb Turn Signal 24V/10W		1
9	SP1517331	Reflector		1
10	SP1521754	Moulding		1

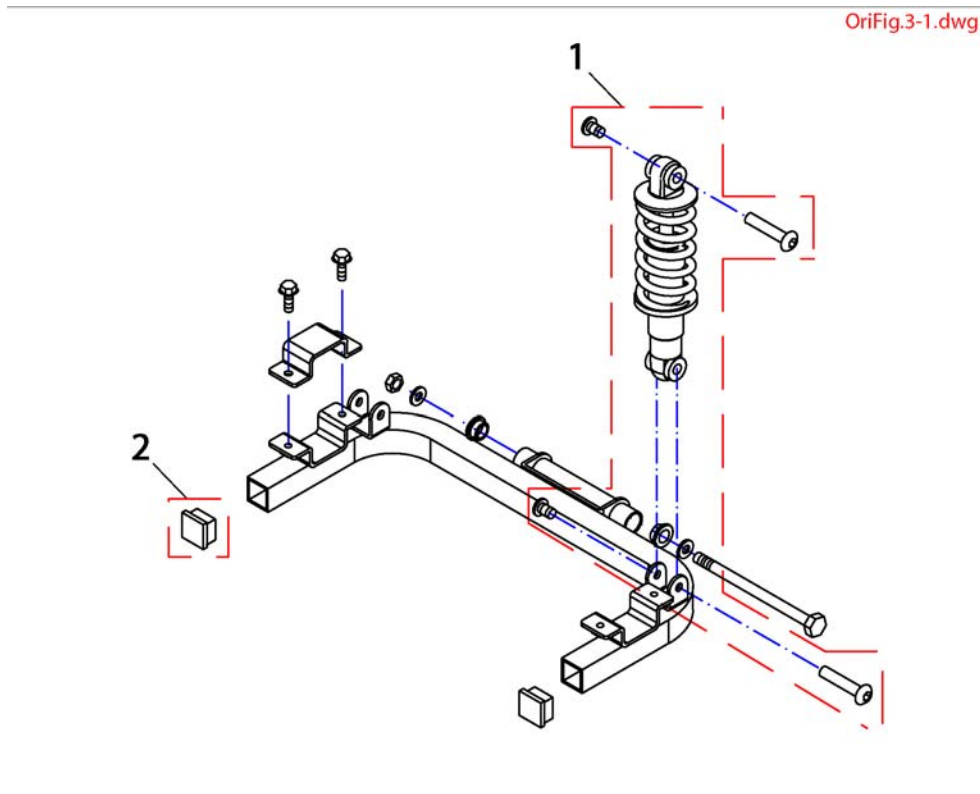
Frame 3-Wheeler

01Fig2-3R.dwg



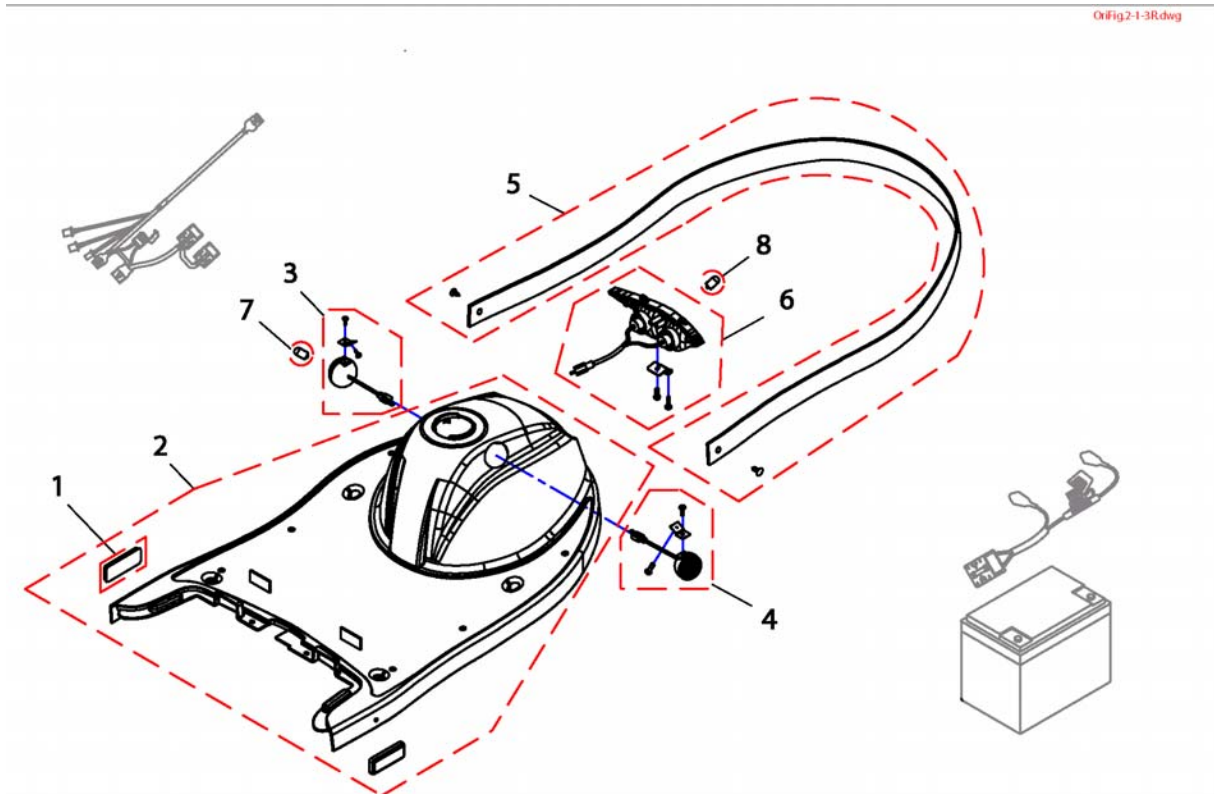
Pos.	Part number	Description	Valid from → until	Qty
1	SP1517882	Front Shroud 3 Wheeler, silver		1
1	SP1521655	Front Shroud 3 Wheeler, blue		1
2	SP1518014	Pad, Leg Shield		1
3	1505476	Push Rivet, Pad		1
4	1505482	Band, Battery Comp.		1
5	SP1517316	Controller Rhino 70A		1
5	SP1517317	Controller Rhino 110A		1
6	SP1505487	Bearing		1
7	SP1518015	Frame 3 Wheeler		1
8	SP1527399	Wire, Harness		1
9	SP1536164	Trigger limit switch		1

Rear Frame



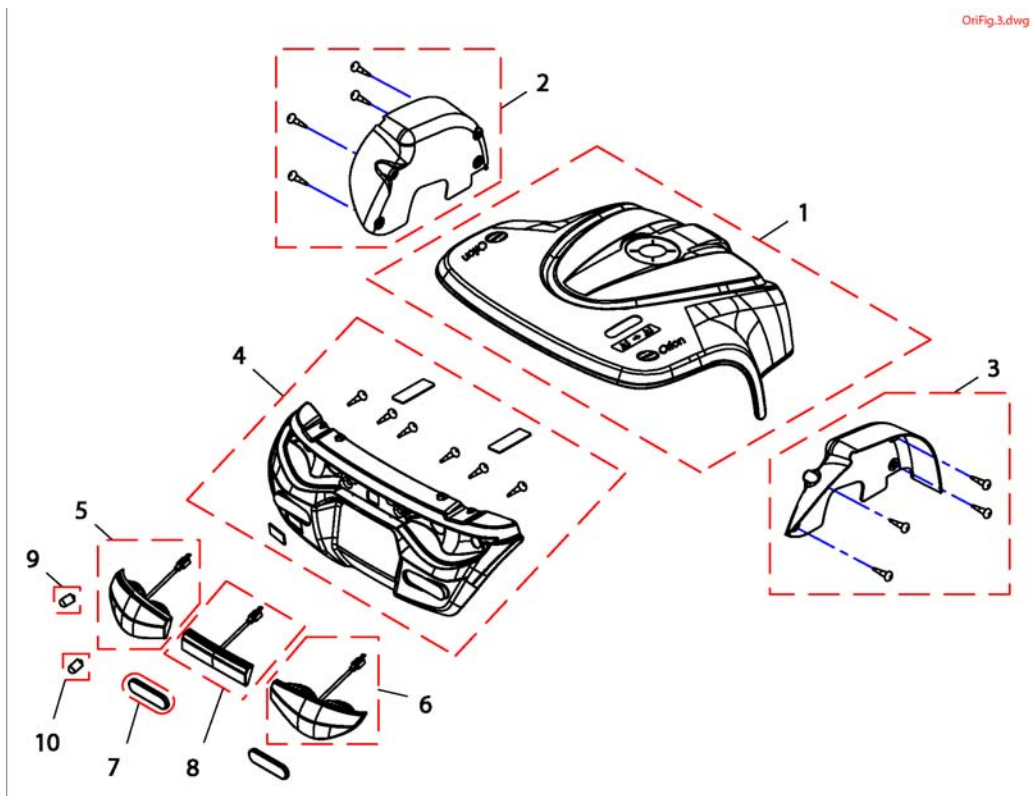
Pos.	Part number	Description	Valid from → until	Qty
1	SP1521600	Shock Absorber		1
2	SP1521597	Plug, Cane Bracket		1

Front Shroud 3-Wheeler



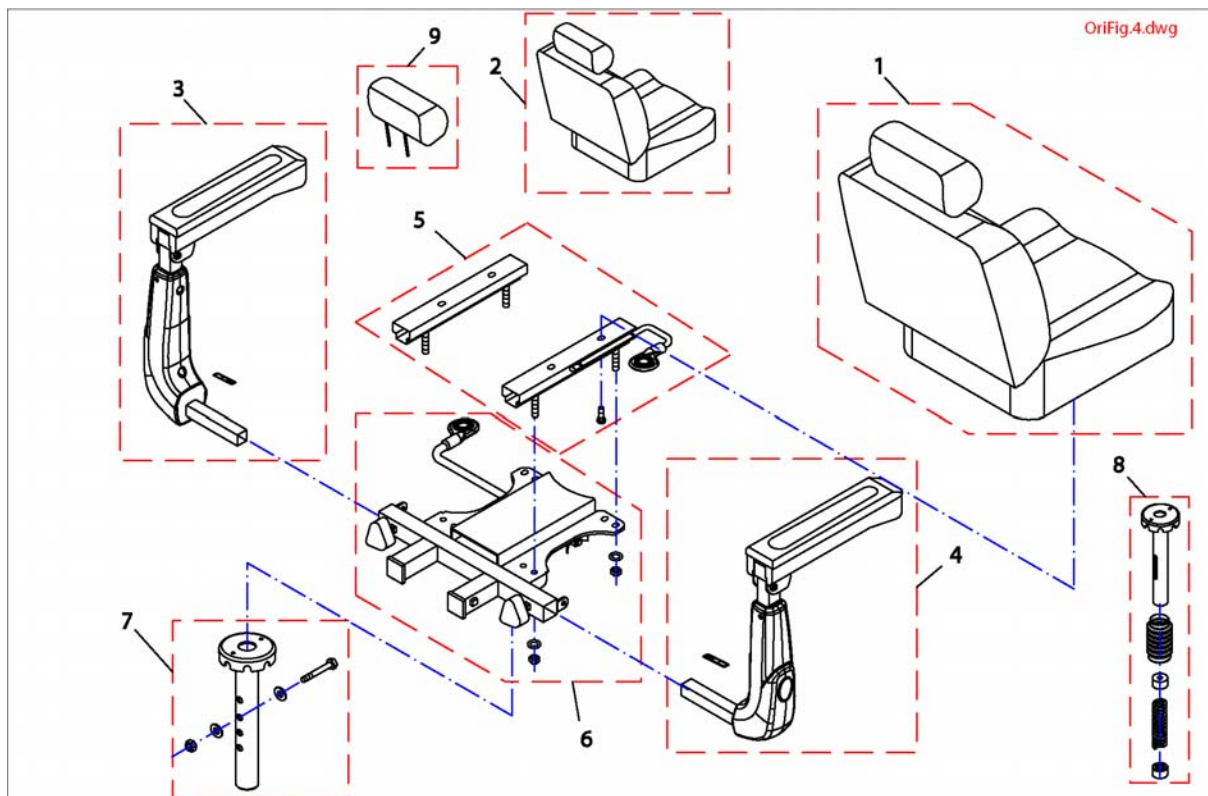
Pos.	Part number	Description	Valid from → until	Qty
1	SP1517331	Reflector		1
2	SP1517882	Front Shroud 3 Wheeler, silver		1
2	SP1521655	Front Shroud 3 Wheeler, blue		1
3	SP1518016	Turn Signal LH		1
4	SP1518017	Turn Signal RH		1
5	SP1518012	Moulding		1
6	SP1517878	Head Light, compl.	→ 20080801	1
6	SP1527473	Head Light, compl.	20080802 →	1
7	SP1522030	Bulb Turn Signal 24V/10W		1
8	SP1522029	Bulb Head Light 24V/21W	→ 20080801	1
8	SP1527474	Bulb Head Light 12V/15W	20080802 →	1

Rear Shroud



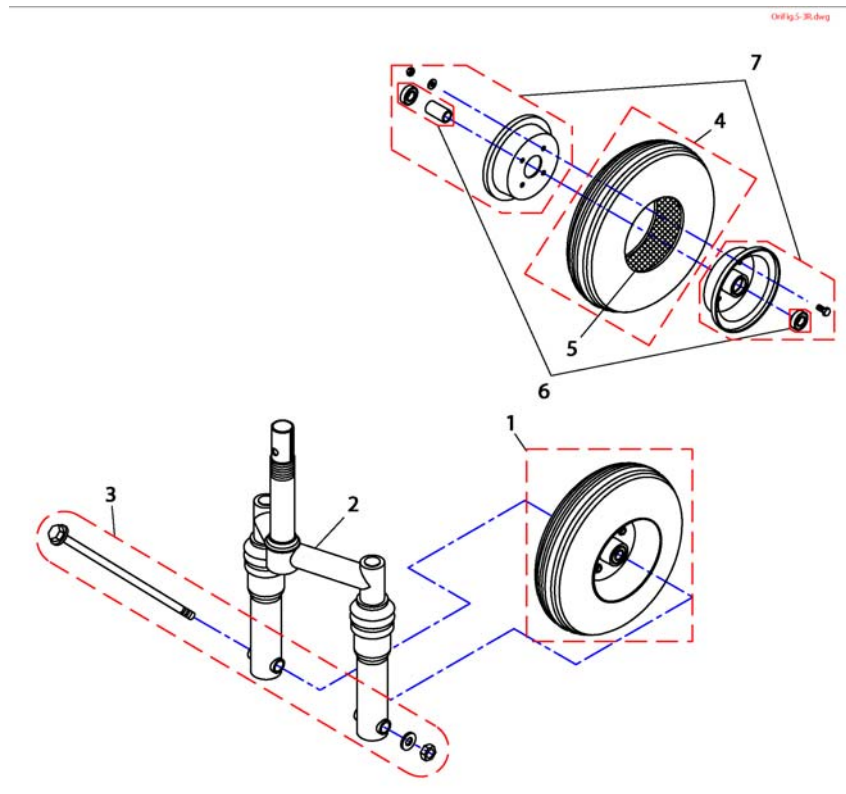
Pos.	Part number	Description	Valid from → until	Qty
1	SP1518031	Rear Shroud cmpl., silver		1
1	SP1521658	Rear Shroud cmpl., blue		1
2	SP1518030	Fender LH		1
3	SP1518029	Fender RH		1
4	SP1518032	Cover Bumper Rear		1
5	SP1518034	Turn Signal Rear LH		1
6	SP1518033	Turn Signal Rear RH		1
7	SP1518036	Reflector-R, E-Mark		1
8	SP1518035	Brake Light, cmpl.		1
9	SP1522030	Bulb Turn Signal 24V/10W		1
10	SP1522034	Bulb Rear Light 24V/5W		1

Seat & Seatoptions



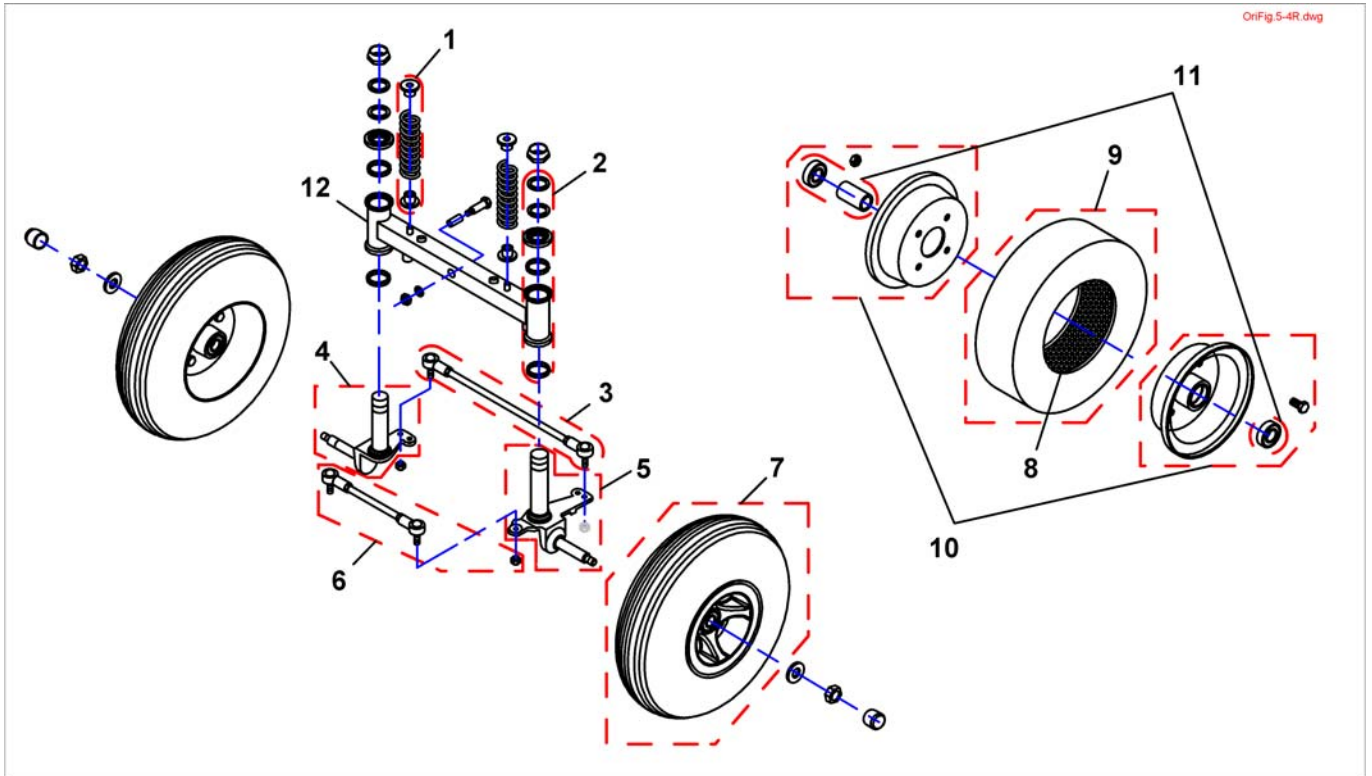
Pos.	Part number	Description	Valid from → until	Qty
1	SP1521687	Standart Seat		1
2	SP1521693	Seat (22")		1
3	SP1521689	Armrest LH		1
4	SP1521688	Armrest RH		1
5	SP1521690	Slide Assembly		1
6	1505533	Seatbracket Assembly		1
7	SP1521691	Seatbracket Standart		1
8	SP1522456	Seat Suspension 478,5mm up to 136kg		1
8	SP1522457	Seat Suspension 503,5mm up to 136kg		1
8	SP1522458	Seat Suspension 528,5mm up to 136kg		1
9	SP1529380	Headrest		1

Front Wheel 3 Wheeler



Pos.	Part number	Description	Valid from → until	Qty
1	SP1521587	Frontwheel compl.		1
2	1528063	Fork Assembly compl., 35mm		1
2	1528064	Fork Assembly compl., 27mm		1
3	SP1518069	Axle, Front		1
4	SP1527729	Tire with Tube		1
5	SP1527606	Tube		1
6	SP1527730	Bearing-Kit		1
7	SP1527731	Wheel Rim-Kit		1

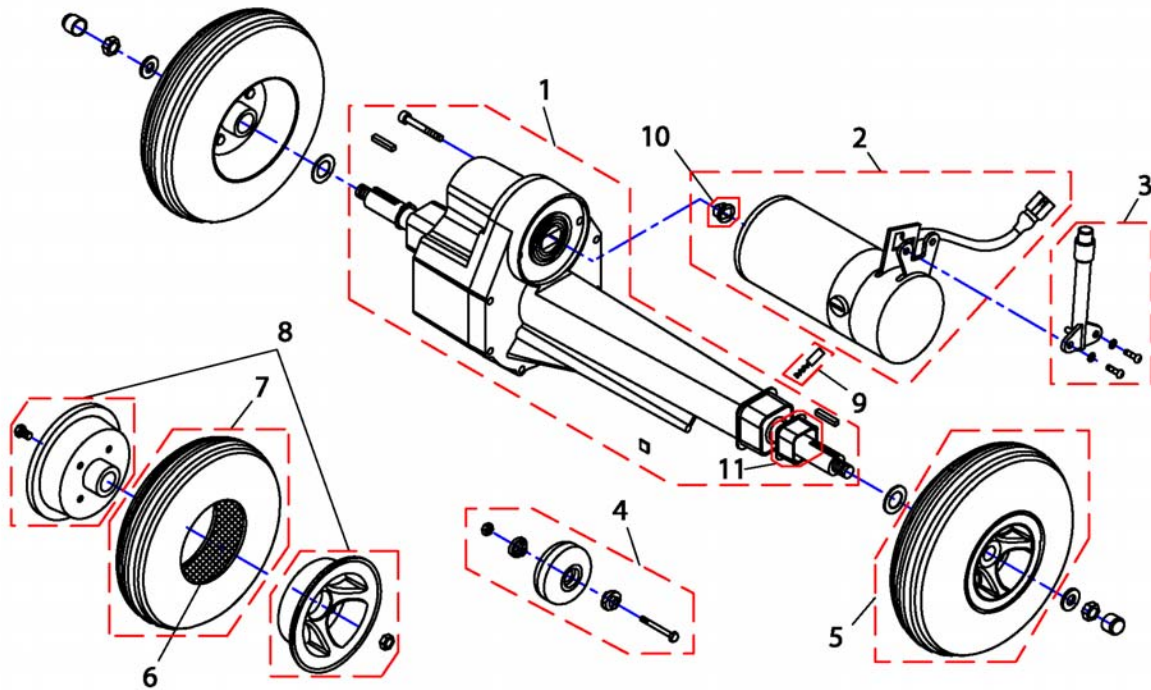
Front Wheel & Steering 4 Wheeler



Pos.	Part number	Description	Valid from → until	Qty
1	SP1518196	Spring, Front Wheel		1
2	SP1505487	Bearing		1
3	SP1518077	Front Rod Assembly		1
4	SP1518237	Front Axle LH		1
5	SP1518238	Front Axle RH		1
6	SP1518078	Rear Rod Assembly		1
7	SP1518333	Front Wheel Assembly		1
8	SP1527606	Tube		1
9	SP1527729	Tire with Tube		1
10	SP1527746	Wheel Rim-Kit		1
11	SP1527747	Bearing-Kit		1
12	SP1518076	Swing holder, front		1

Rear Wheels & Propulsion 6/10 km/h

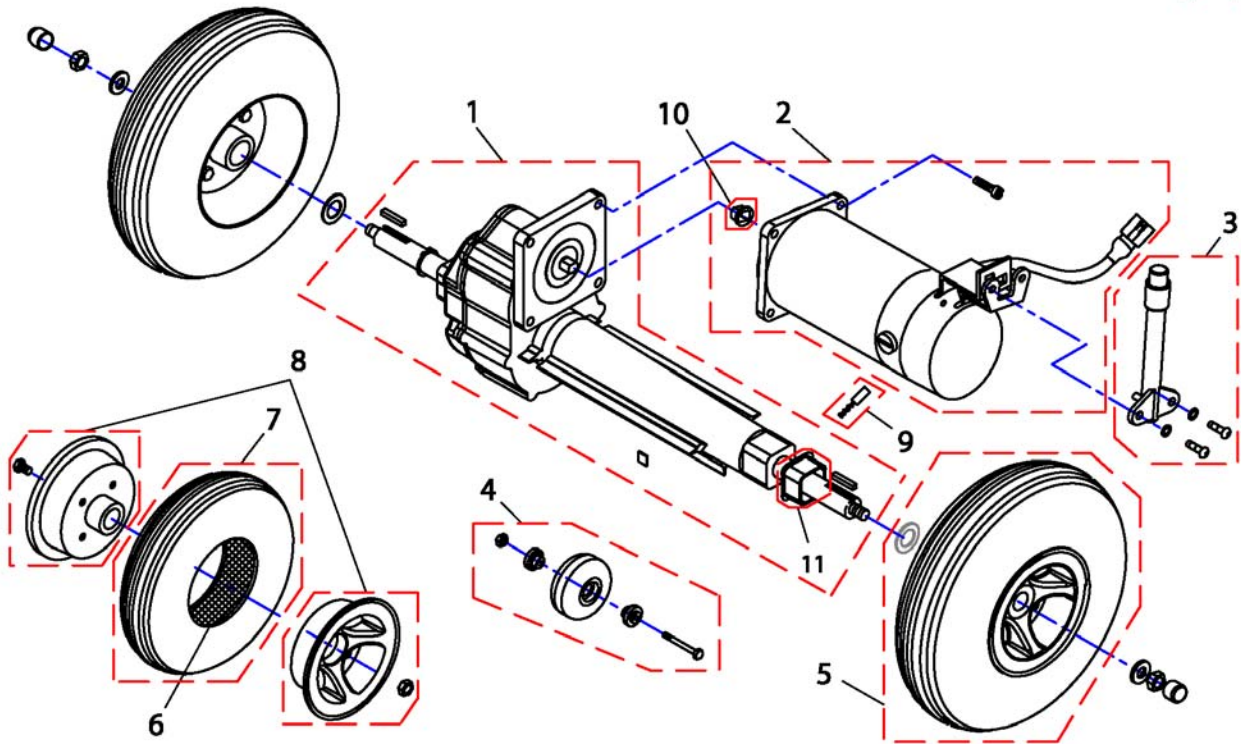
OxFig6-1.dwg



Pos.	Part number	Description	Valid from → until	Qty
1	SP1521590	Differential 6/10 km/h		1
2	SP1518376	Motor 6 km/h		1
2	SP1518377	Motor 10 km/h		1
3	SP1505672	Disclutching Lever 113,2 mm		1
4	SP1505676	Wheel, Anti-Tipper		1
5	SP1518378	Rear Wheel Assembly		1
6	SP1527606	Tube		1
7	SP1527729	Tire with Tube		1
8	SP1527749	Wheel Rim-Kit		1
9	SP1527844	Carbon Brush (2 Pieces)		1
10	1505667	Guide		1

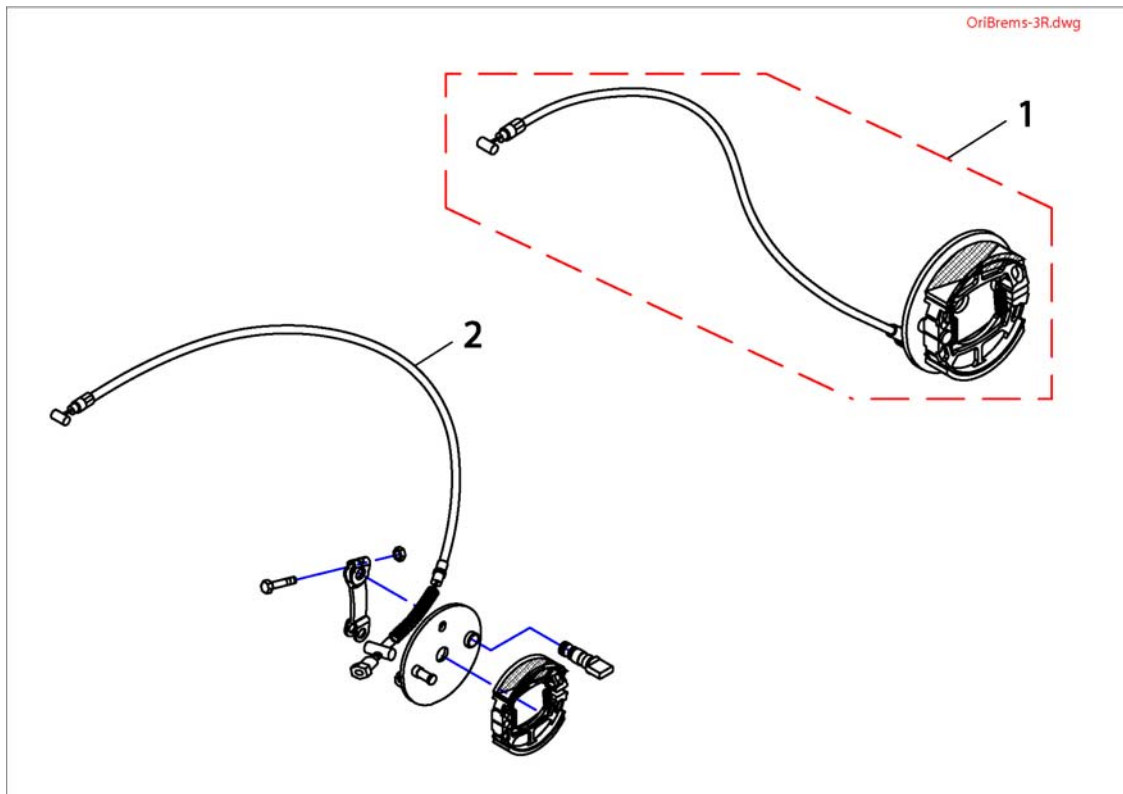
Rear Wheels & Propulsion 12 km/h

OrtFig.6-2.dwg



Pos.	Part number	Description	Valid from → until	Qty
1	SP1521591	Differential 12 km/h		1
2	SP1518390	Motor 12 km/h		1
3	SP1527753	Disclutching Lever 93,2 mm		1
4	SP1505676	Wheel, Anti-Tipper		1
5	SP1518378	Rear Wheel Assembly		1
6	SP1527606	Tube		1
7	SP1527729	Tire with Tube		1
8	SP1527749	Wheel Rim-Kit		1
9	SP1527845	Carbon Brush (4 Pieces)		1
10	1505667	Guide		1

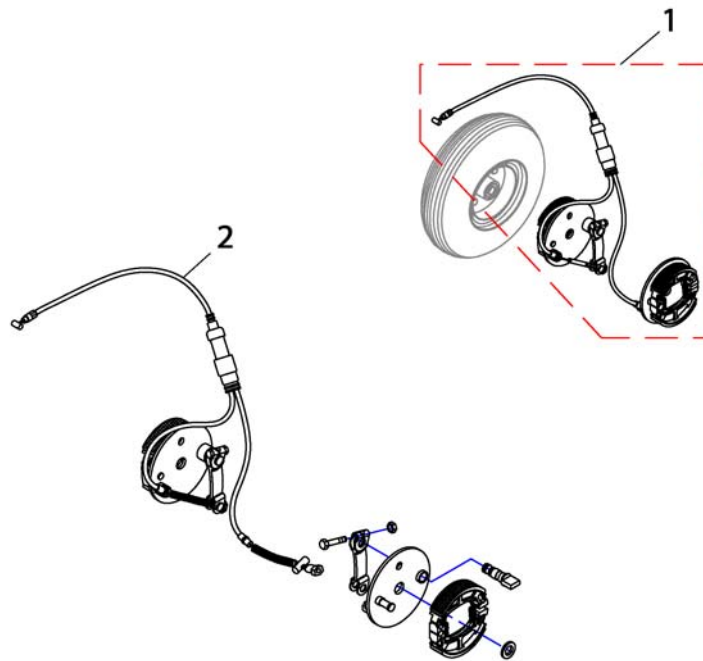
Brakes 3 Wheeler



Pos.	Part number	Description	Valid from → until	Qty
1	SP1521588	Brake Assembly 3 Wheeler		1
2	SP1518419	Brake Cable 3 Wheeler		1

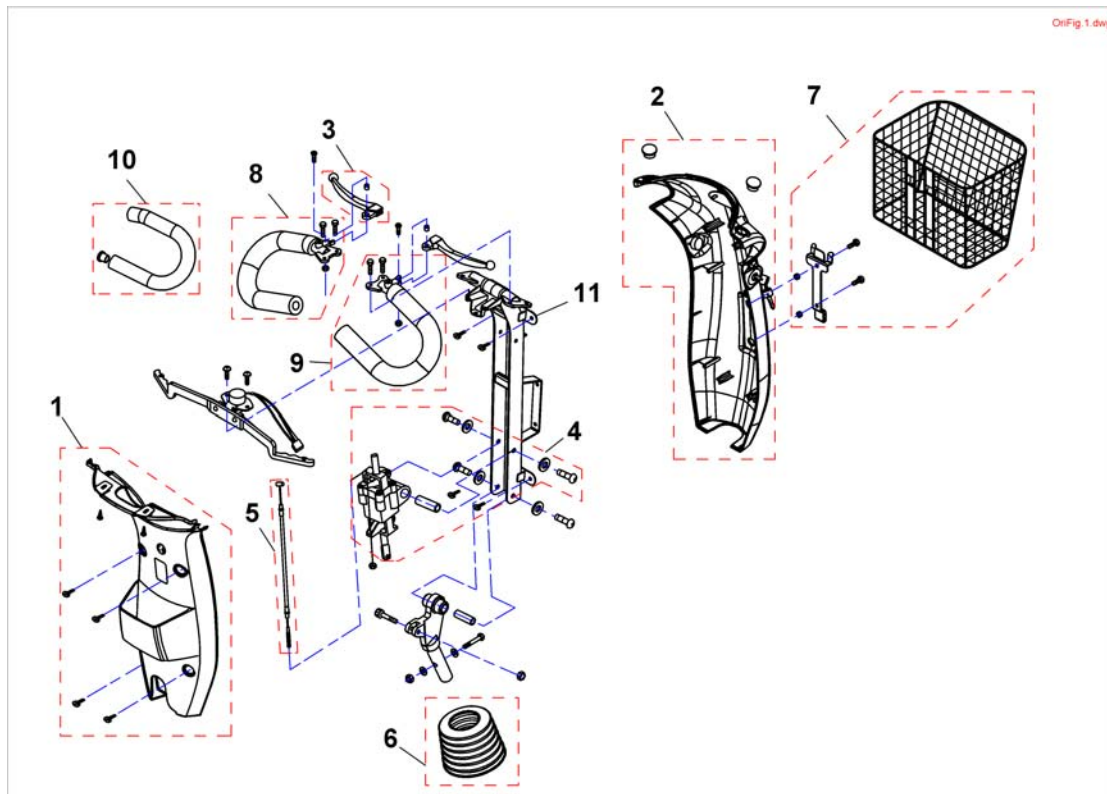
Brakes 4 Wheeler

OriBrems-4R.dwg



Pos.	Part number	Description	Valid from → until	Qty
1	SP1521589	Brake Assembly 4 Wheeler		1
2	SP1518422	Brake Cable 4 Wheeler		1

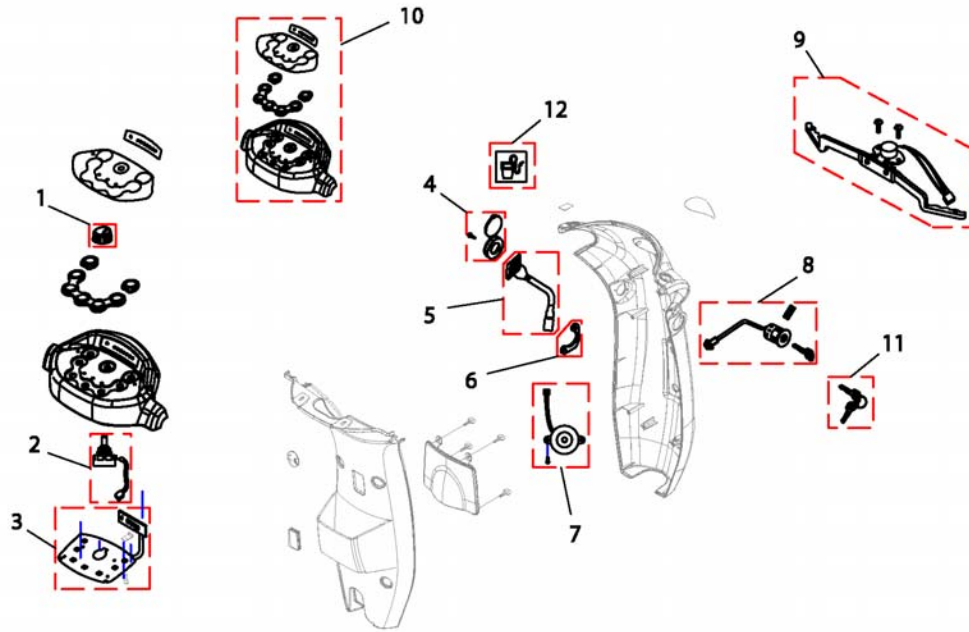
Steering



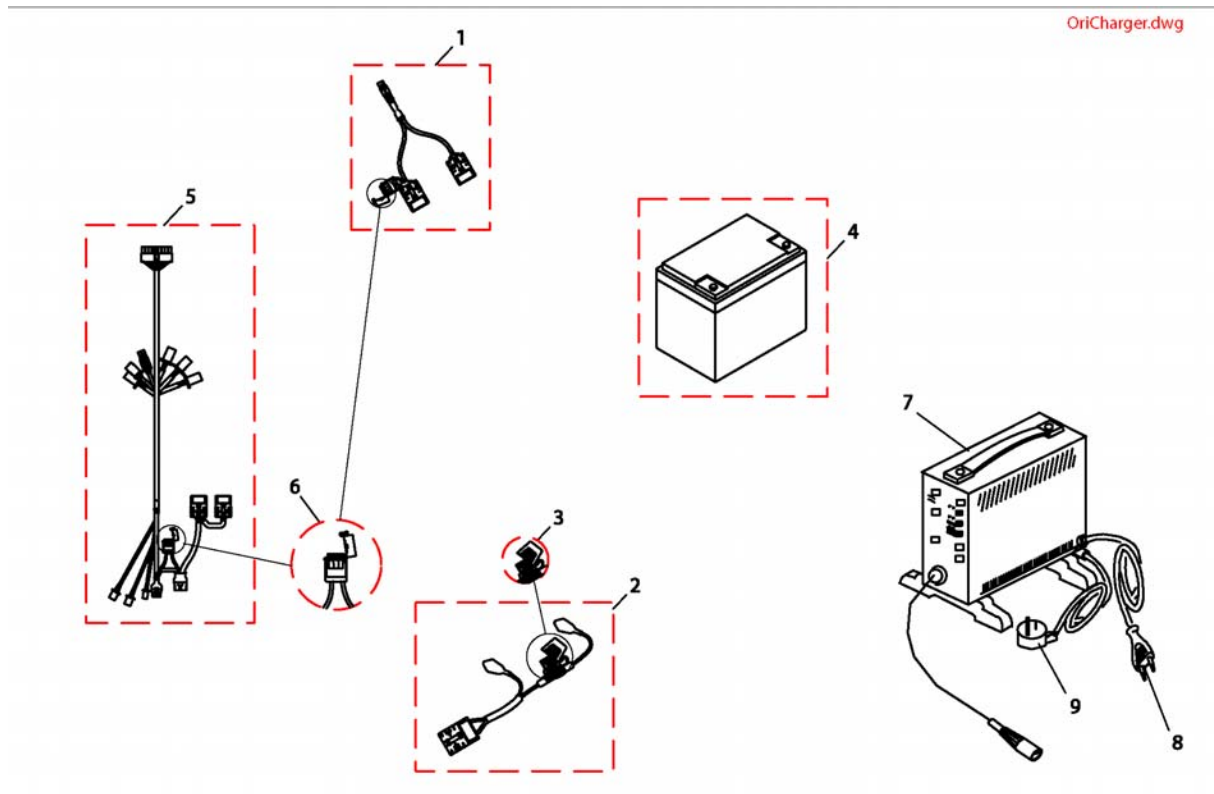
Pos.	Part number	Description	Valid from → until	Qty
1	SP1521725	Rear Cover Steering		1
2	SP1521495	Front Cover Steering, silver		1
2	SP1521727	Front Cover Steering, blue		1
3	SP1521578	Regulator Rod RH/LH		1
4	SP1505279	Steering Adjustment		1
5	SP1521583	Cable		1
6	SP1521586	Gaiter		1
7	SP1521584	Basket, Front		1
8	SP1527788	Curved Handlebar, left		1
9	SP1527789	Curved Handlebar, right		1
10	SP1527792	Foam cover for handlebar		1
11	SP1541396	Steering unit		1

Steering Details

OrFig1-1.dwg



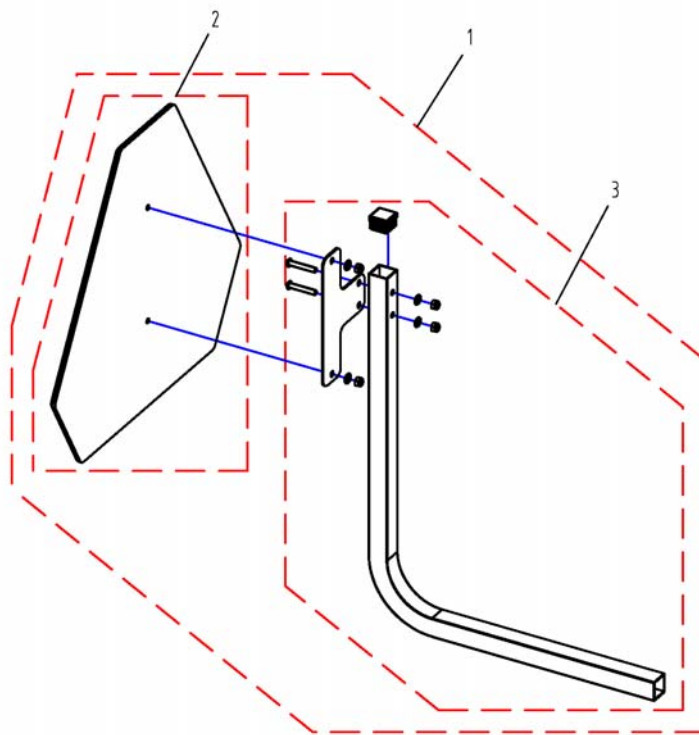
Pos.	Part number	Description	Valid from → until	Qty
1	1505460	Knob, Speed Control		1
2	1505462	Variable Resistor Comp. 30.0Ko		1
3	SP1524542	P.C. Board	→ 20080801	1
3	SP1527395	P.C. Board	20080802 → 20090524	1
3	SP1532909	P.C. Board <i>Serialnumber (Orion 3w 09EED0014 ==>) (Orion 4w 09EEE0080 ==>)</i>	20090525 →	1
4	1523534	Cover, Charger-Inlett		1
5	1523543	Charger-Inlett		1
6	SP1523544	Plate		1
7	1506153	Buzzer Comp.		1
8	1505451	Main Switch		1
9	SP1521575	Starter		1
10	SP1526435	Cover, Upper Steering	→ 20090524	1
10	SP1532908	Cover, Upper Steering <i>Serialnumber (Orion 3w 09EED0014 ==>) (Orion 4w 09EEE0080 ==>)</i>	20090525 →	1
11	SP1530211	Key		1
12	P10051	STICKER PRISE CHARGE BATTERIE		1



Pos.	Part number	Description	Valid from → until	Qty
1	SP1521644	Off-Board Charging Kit		1
2	SP1521696	Batterycable		1
3	1505500	Fuse (70Amp)		1
4	SP1521695	Battery 12V/50Ah		1
5	SP1521576	Wire, Harness	→ 20080801	1
5	SP1527399	Wire, Harness	20080802 → 20090524	1
5	SP1532910	Part not for sale <i>Serialnumber (Orion 3w 09EED0014 ==>) (Orion 4w 09EEE0080 ==>)</i>	20090525 →	1
6	SP1521577	Fuse 10A		1
7	SPP51981	Gel Battery Charger Unit		1
8	P21079	Charger Power Cable (Shockproof Plug)		1
8	1466783	Power Cable, 3-pole, black, 6A/250VAC (Switzerland)		1
9	P21080	UK 3 Pin Mains Lead		1

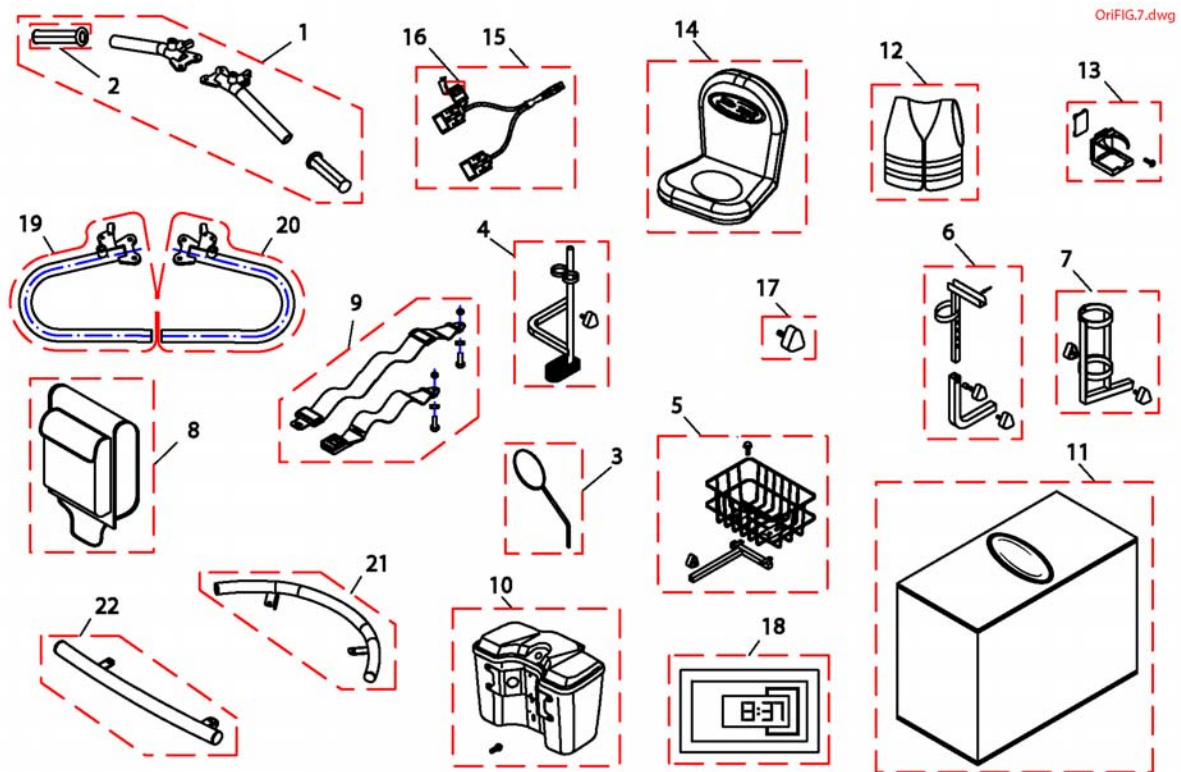
Warning Triangle

0riFig 8.dwg



Pos.	Part number	Description	Valid from → until	Qty
1	SP1523648	Warning Triangle		1
2	1430834	Rear Marking Sign Ece-R 69		1
3	SP1526913	Holder Warning Triangel		1

Accessories



Pos.	Part number	Description	Valid from → until	Qty
1	SP1518330	Handle Bar (T-Shape)		1
2	1505415	Grip, Handle Bar		1
3	SP1518241	Back Mirror		1
4	1528274	Crutchholder RH/LH		1
5	1505727	Rear Basket Comp.		1
6	1505728	Bracket Assembly , Walker		1
7	1505729	Oxygen Cylinder Comp		1
8	1505731	Bag, Seat Rear		1
9	SP1518274	Seatbelt		1
10	SP1521595	Box Assembly, silver		1
10	SP1521661	Front box lockable, onyx blue		1
10	SP1537710	Box Assembly, slate grey		1
11	SP1518240	Storage Cover		1
12	SP1521592	Traffic Safety Vest		1
13	SP1521594	Drink Holder Assembly		1
14	SP1521684	Seatcover		1
15	SP1521644	Off-Board Charging Kit		1
16	SP1521577	Fuse 10A		1
17	1507005	Star Handle		1
18	5370157	Hour counter		1
19	SP1527828	Ergo Handle Bar LH		1
20	SP1527827	Ergo Handle Bar RH		1
21	1528275	Front Bumper, 3-Wheeler		1
21	SP1528295	Front Bumper, 4-Wheeler		1
22	1528296	Rear Bumper		1



Yes, you can.®



Belgium & Luxemburg:

Invacare nv, Autobaan 22, B-8210 Loppem
Tel: (32) (0)50 83 10 10, Fax: (32) (0)50 83 10 11
belgium@invacare.com

Danmark:

Invacare A/S, Sdr. Ringvej 37, DK-2605 Brøndby
Tel: (45) (0)36 90 00 00, Fax: (45) (0)36 90 00 01
denmark@invacare.com

Deutschland:

Invacare Aquatec GmbH, Alemannenstraße 10, D-88316 Isny
Tel: (49) (0)75 62 7 00 0, Fax: (49) (0)75 62 7 00 66
info@invacare-aquatec.com

European Distributor Organisation:

Invacare, Kleiststraße 49, D-32457 Porta Westfalica
Tel: (49) (0)57 31 754 540, Fax: (49) (0)57 31 754 541
edo@invacare.com

España:

Invacare SA, c/Areny s/n, Polígon Industrial de Celrà, E-17460 Celrà (Girona)
Tel: (34) (0)972 49 32 00, Fax: (34) (0)972 49 32 20
contactsp@invacare.com

France:

Invacare Poirier SAS, Route de St Roch, F-37230 Fondettes
Tel: (33) (0)2 47 62 64 66, Fax: (33) (0)2 47 42 12 24
contactfr@invacare.com

Ireland:

Invacare Ireland Ltd, Unit 5 Seatown Business Campus, Seatown Road, Swords, County Dublin - Ireland
Tel: (353) 1 810 7084, fax: (353) 1 810 7085
ireland@invacare.com

Italia:

Invacare Mecc San s.r.l., Via dei Pini 62, I-36016 Thiene (VI)
Tel: (39) 0445 38 00 59, Fax: (39) 0445 38 00 34
italia@invacare.com

Nederland:

Invacare BV, Celsiusstraat 46, NL-6716 BZ Ede
Tel: (31) (0)318 695 757, Fax: (31) (0)318 695 758
nederland@invacare.com, cse@invacare.com

Norge:

Invacare AS, Grensesvingen 9, Postboks 6230, Etterstad, N-0603 Oslo
Tel: (47) (0)22 57 95 00, Fax: (47) (0)22 57 95 01
norway@invacare.com, island@invacare.com

Österreich:

Mobitec Mobilitätshilfen GmbH, Herzog Odilostrasse 101, A-5310 Mondsee
Tel: (43) 6232 5535 0, Fax: (43) 6232 5535 4
office@mobitec-austria.com, austria@invacare.com

Portugal:

Invacare Lda, Rua Estrada Velha, 949, P-4465-784 Leça do Balio
Tel: (351) (0)225 1059 46147, Fax: (351) (0)225 1057 39
portugal@invacare.com

Sverige & Suomi:

Invacare AB, Fagerstagatan 9, S-163 91 Spånga
Tel: (46) (0)8 761 70 90, Fax: (46) (0)8 761 81 08
sweden@invacare.com, finland@invacare.com

Switzerland:

Mobitec Rehab AG, Benkenstrasse 260, CH-4108 Witterswil
Tel: (41) (0)61 487 70 80, Fax: (41) (0)61 487 70 81
office@mobitec-rehab.ch, switzerland@invacare.com

United Kingdom:

Invacare Limited, Pencoed Technology Park, Pencoed, Bridgend CF35 5HZ
Switchboard Tel: (44) (0)1656 776200, Fax: (44) (0)1656 776201
Customer services Tel: (44) (0)1656 776222, Fax: (44) (0)1656 776220
UK@invacare.com