

List of spare parts



Version 2
February 2001

The **S**canbeta cot 2000



Contents:

General instructions	2
Spareparts for	
- underframe and mattress support	3
- Motors, steering box and handcontrol	4
- Beech veneer bars	5
- Beech veneer	6
- Plexiglas	7
- Various spareparts for the cot	8

The responsibility of the supplier

INVACARE takes no responsibility if other spareparts are used than those specified in this manual or if the product is used, changed or assembled any other way than specified in this manual.

Replacement of spare parts etc.

Before starting the service, you have to switch off the 220-240~V voltage.

Due to the risk of traps when dismantling the motor, you must always have two persons. One to hold the adjustable part and one to dismantle the motor. When dismantling the motor used for height adjustment of the cot, two persons must hold the mattress support, while another person dismantles the motor.

Instruction concerning maintenance and service

- Before using the product

Please check that the manual and electrical parts function correctly and that the parts are not damaged in any way.

- When the product has been used 3 months

The screws, nuts, bolts etc. must be tightened once again.

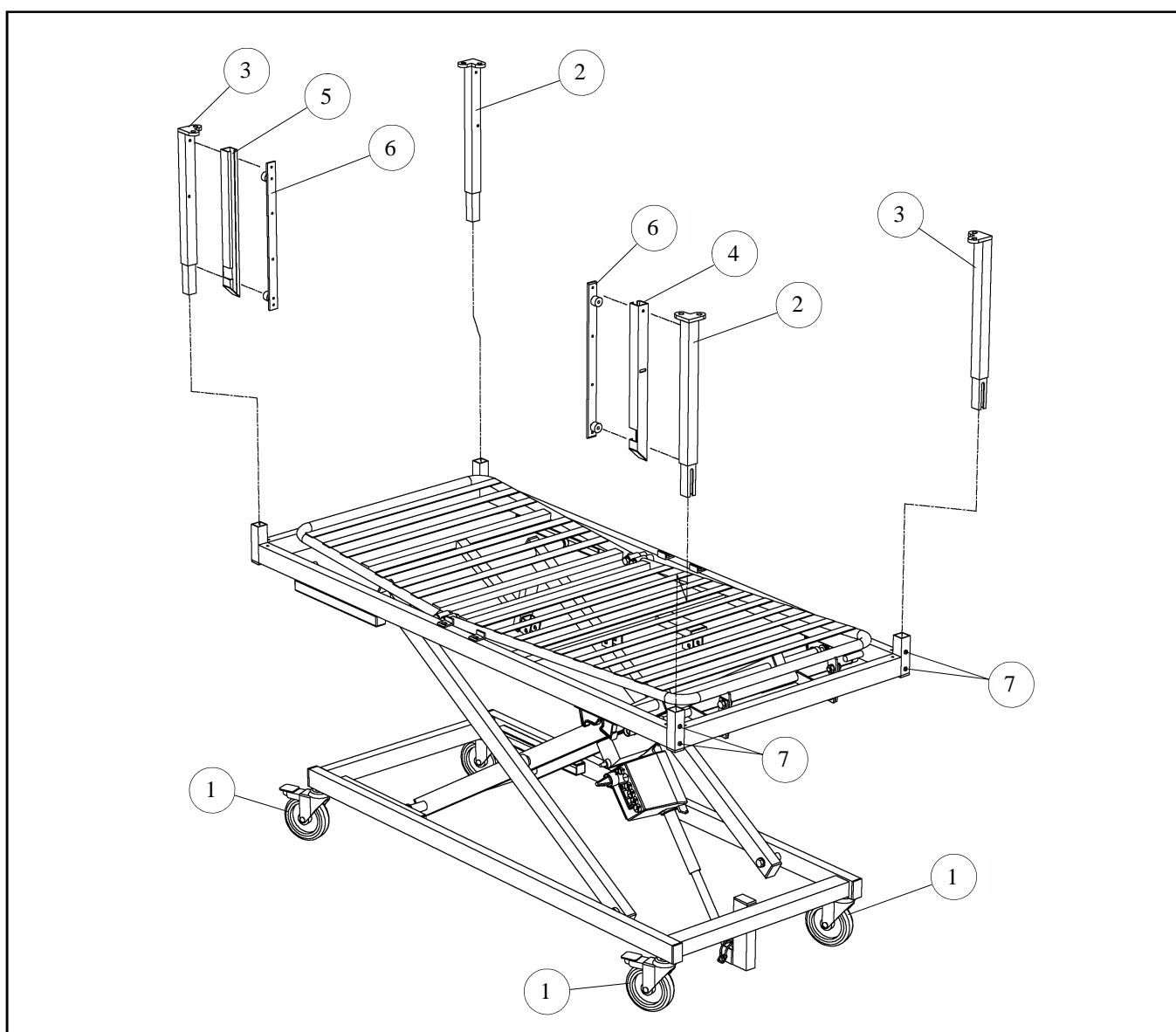
Check that the manual and electrical parts function correctly and that the parts are not damaged in any way.

- Every year

Please use the "Serviceform ScanBeta 2000" for the service. The service includes for instance tightening of screws, bolts, nuts etc., lubrication, checking the motors, checking the manual and electrical parts and an overall check of the parts.

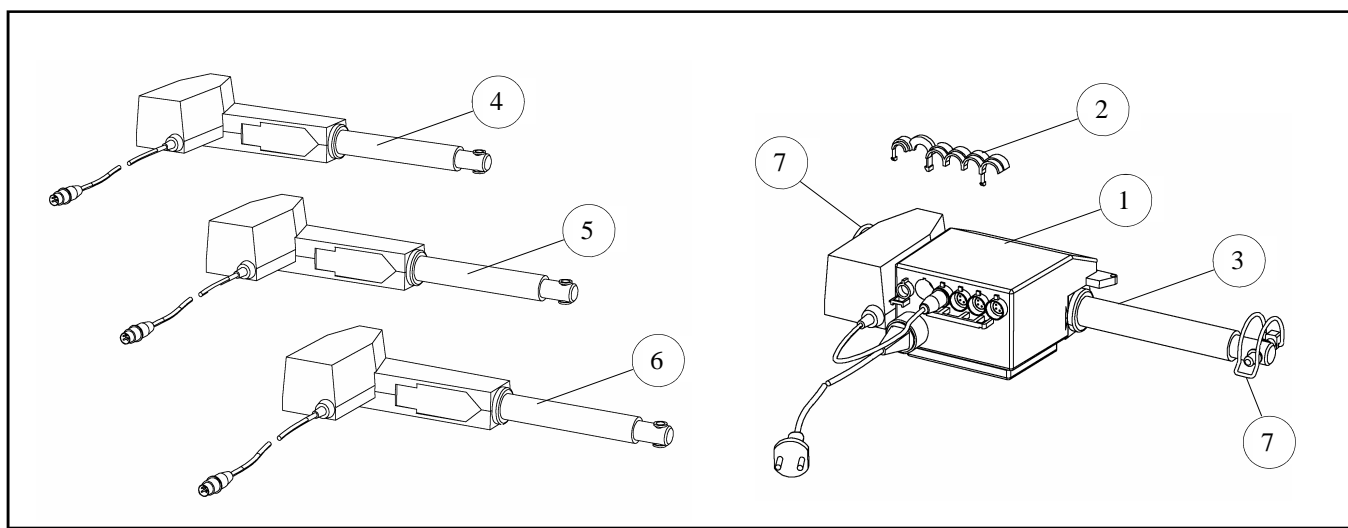
Maintenance and service of the ScanBeta cot must only be carried out by educated staff.

Spareparts for the underframe and mattress support



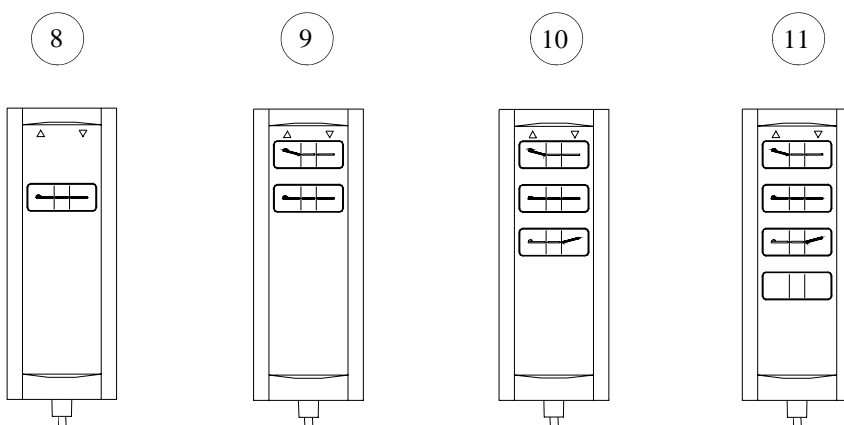
Pos.	Name	Notes	Numbers	Order no.
1	Castor Ø125	Delivered with bolt and washer	1 pcs.	5700049002101
2	Corner post – right	Delivered with screws	1 pcs.	5700049002102
3	Corner post – left	Delivered with screws	1 pcs.	5700049002103
4	U-frame – right	Delivered with screws and washers	1 pcs.	5700049002104
5	U-frame – left	Delivered with screws and washers	1 pcs.	5700049002105
6-1	Plate with plastic wheels for downward-slidable side with bars or plexiglas	Delivered with screws for wood	1 pcs.	5700049002106
6-2	Plate with plastic wheels for downward-slidable side with beech veneer	Delivered with screws for wood	1 pcs.	5700049002107
7	Inside plate used for fixing the corner post	Delivered with 2 screws	1 pcs.	5700049002108
8				

Spareparts for motors, steering box and handcontrol



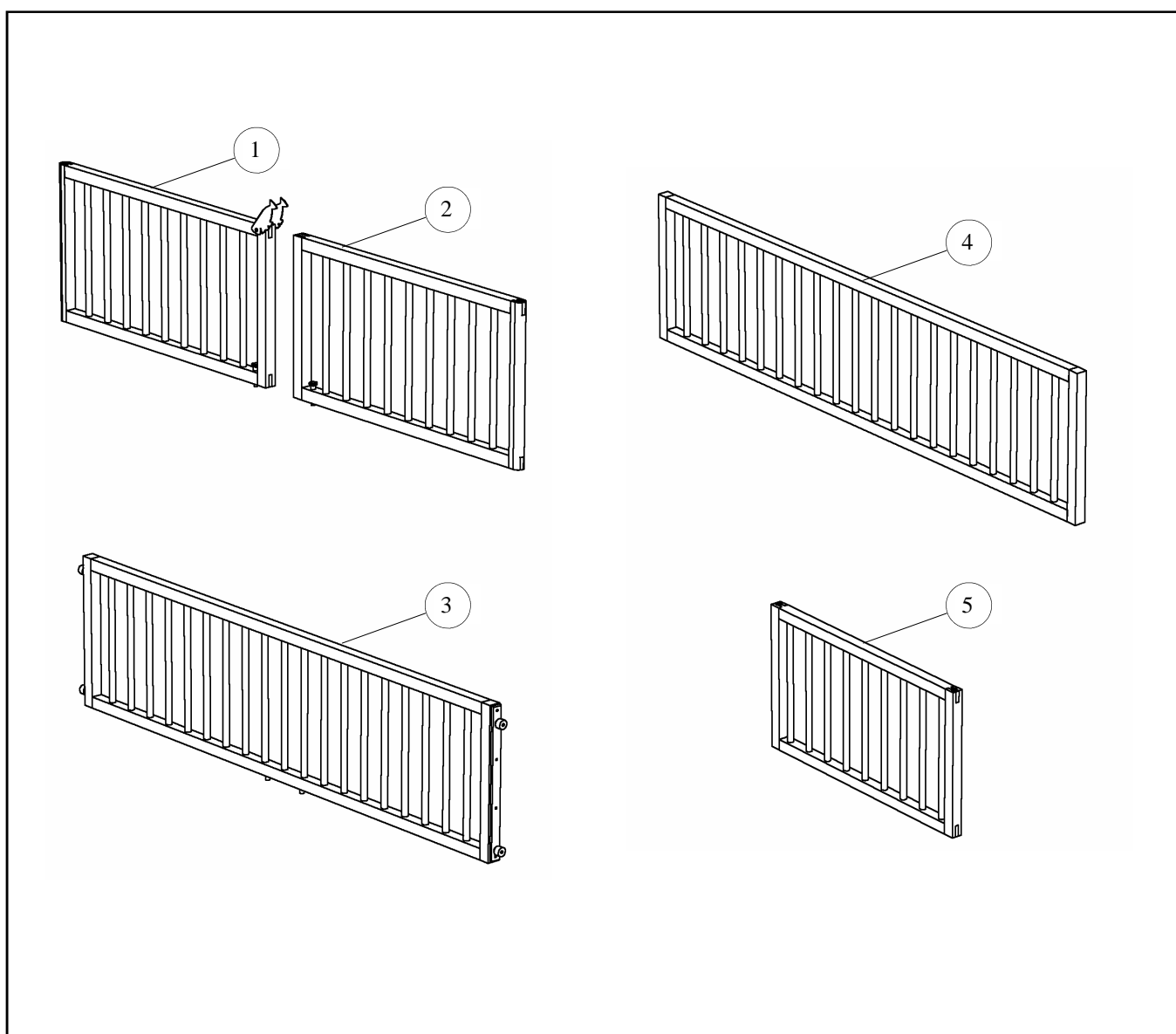
Please note:

There is 4 different types of hand-controls. Depending on the cot model delivered, your cot is with one of the illustrated handcontrols.



Pos.	Name	Notes	Numbers	Order no.
1-1	Steering box for 1 motor	Please indicate the type number when ordering	1 pcs.	5700049002109
1-2	Steering box for 2 motors	Please indicate the type number when ordering	1 pcs.	5700049002110
1-3	Steering box for 3 motors	Please indicate the type number when ordering	1 pcs.	5700049002111
1-4	Steering box for 4 motors	Please indicate the type number when ordering	1 pcs.	5700049002112
2	Loching of the plug		1 pcs.	5700049002113
3	Motor (height adjustment)	Please indicate the type number when ordering	1 pcs.	5700049002114
4	Motor (back)	Please indicate the type number when ordering	1 pcs.	5700049002115
5	Motor (leg)	Please indicate the type number when ordering	1 pcs.	5700049002116
6	Motor (extra function)	Please indicate the type number when ordering	1 pcs.	5700049002117
7	Snap-lock (for fixing the motor)	1 set = 2 pieces	1 set	5700049002118
8	Hand control (1 function)	Please indicate the type number when ordering	1 pcs.	5700049002119
9	Hand control (2 functions)	Please indicate the type number when ordering	1 pcs.	5700049002120
10	Hand control (3 functions)	Please indicate the type number when ordering	1 pcs.	5700049002121
11	Hand control (4 functions)	Please indicate the type number when ordering	1 pcs.	5700049002122
12				

Spareparts for beech veneer bars

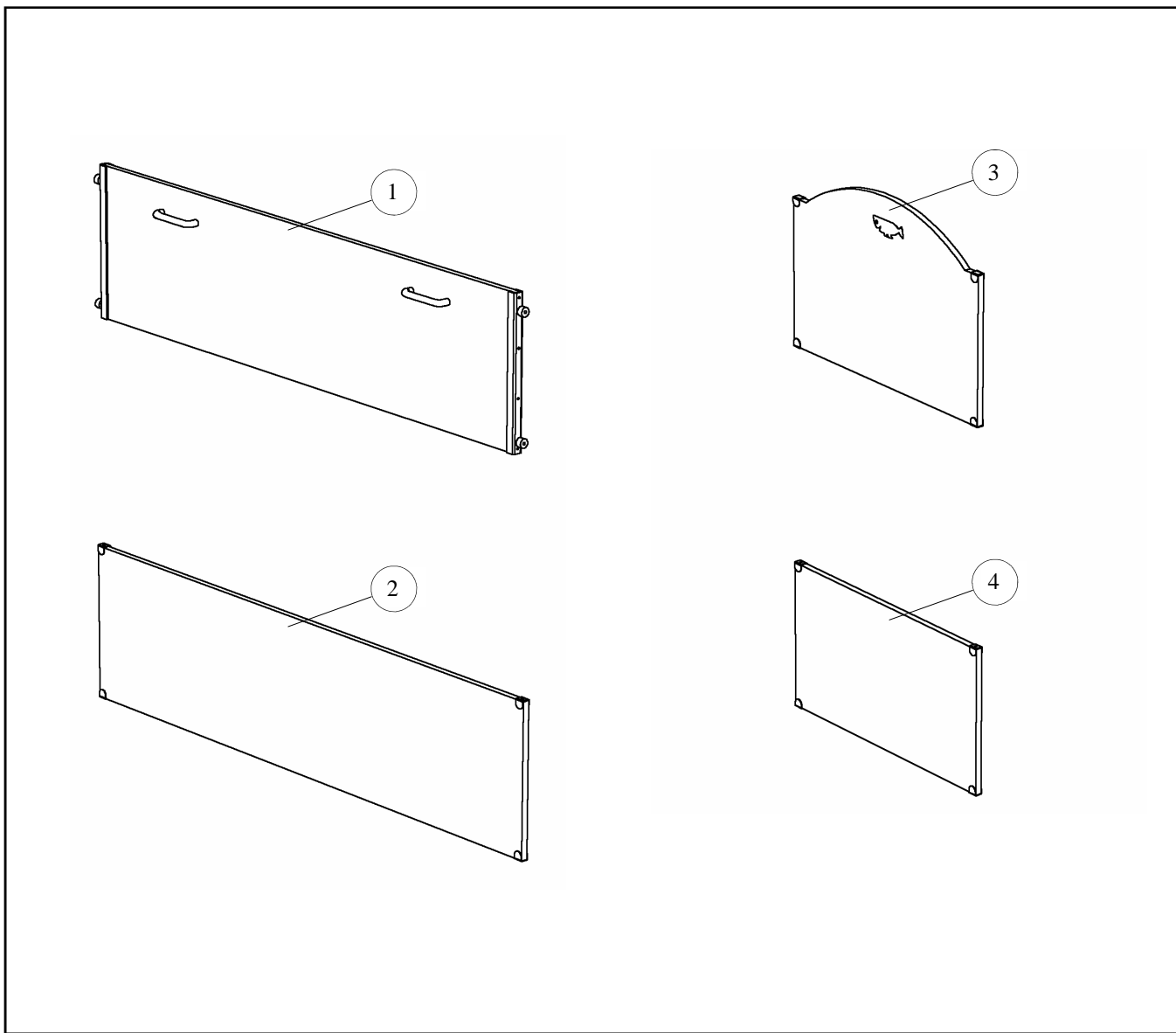


Please note:

When ordering sides, please indicate the type number and serial number of the cot. The sticker with the information is normally placed on the inside of the underframe.

Pos.	Name	Notes	Numbers	Order no.
1	Door with bars, left	Deliveres complete with til "fish lock" and locking pins	1 pcs.	5700049002123
2	Door with bars, right	Delivered complete with locking pins	1 pcs.	5700049002124
3	Downward-slidable side with bars	Delivered complete with plate with plastic wheels	1 pcs.	5700049002125
4	Fixed side with bars		1 pcs.	5700049002126
5	Bed end with bars		1 pcs.	5700049002127
6				
7				

Spareparts for beech veneer bars

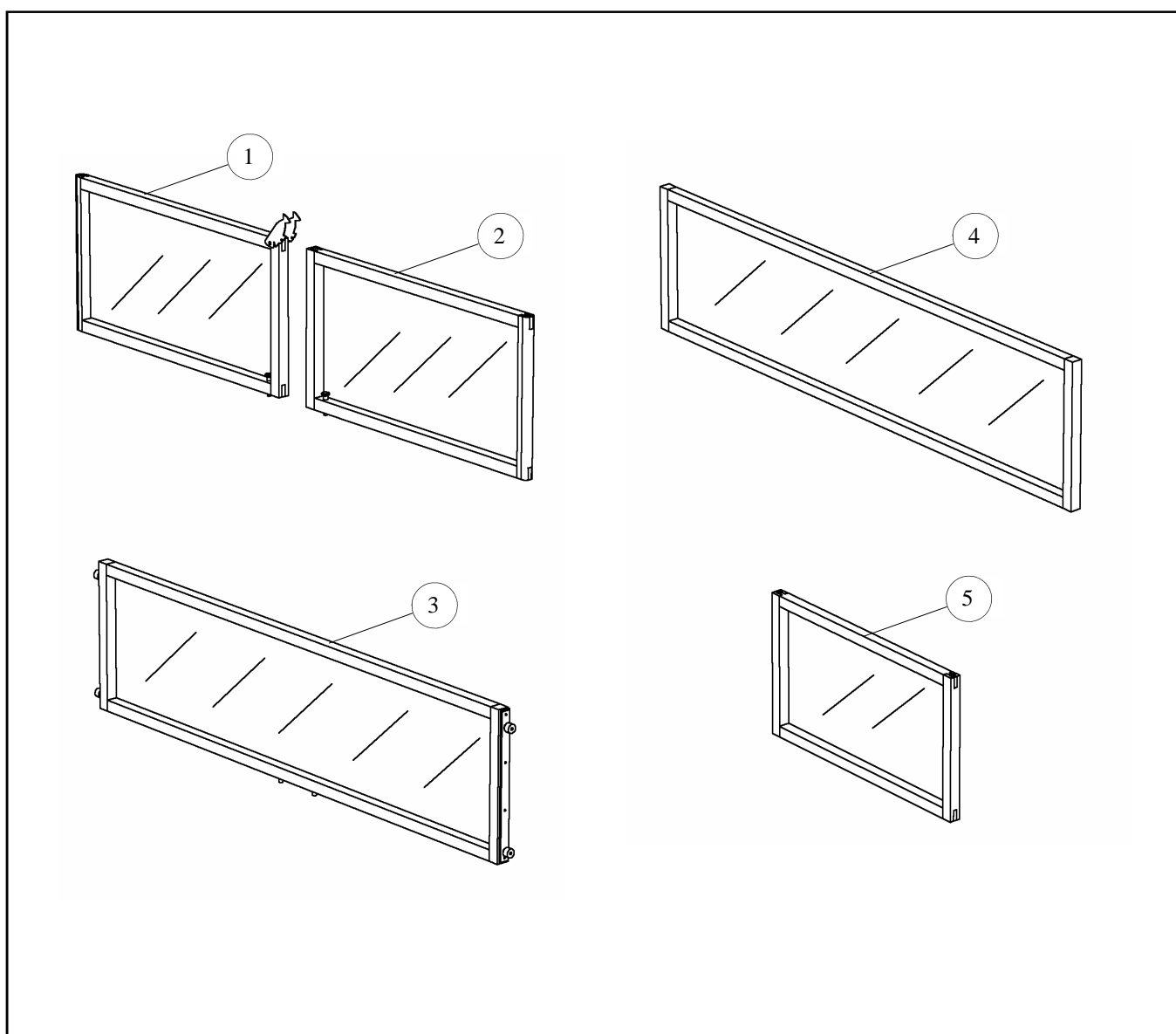


Please note:

When ordering sides, please indicate the type number and serial number of the cot. The sticker with the information is normally placed on the inside of the underframe.

Pos.	Name	Notes	Numbers	Order no.
1	Downward-slidable side with beech veneer	Delivered complete with plate with plastic Wheels and handles	1 pcs.	5700049002128
2	Fixed side with beech veneer		1 pcs.	5700049002129
3	Curved bed end		1 pcs.	5700049002130
4	Beech veneer bed end		1 pcs.	5700049002131
5				
6				
7				

Spareparts for plexiglas

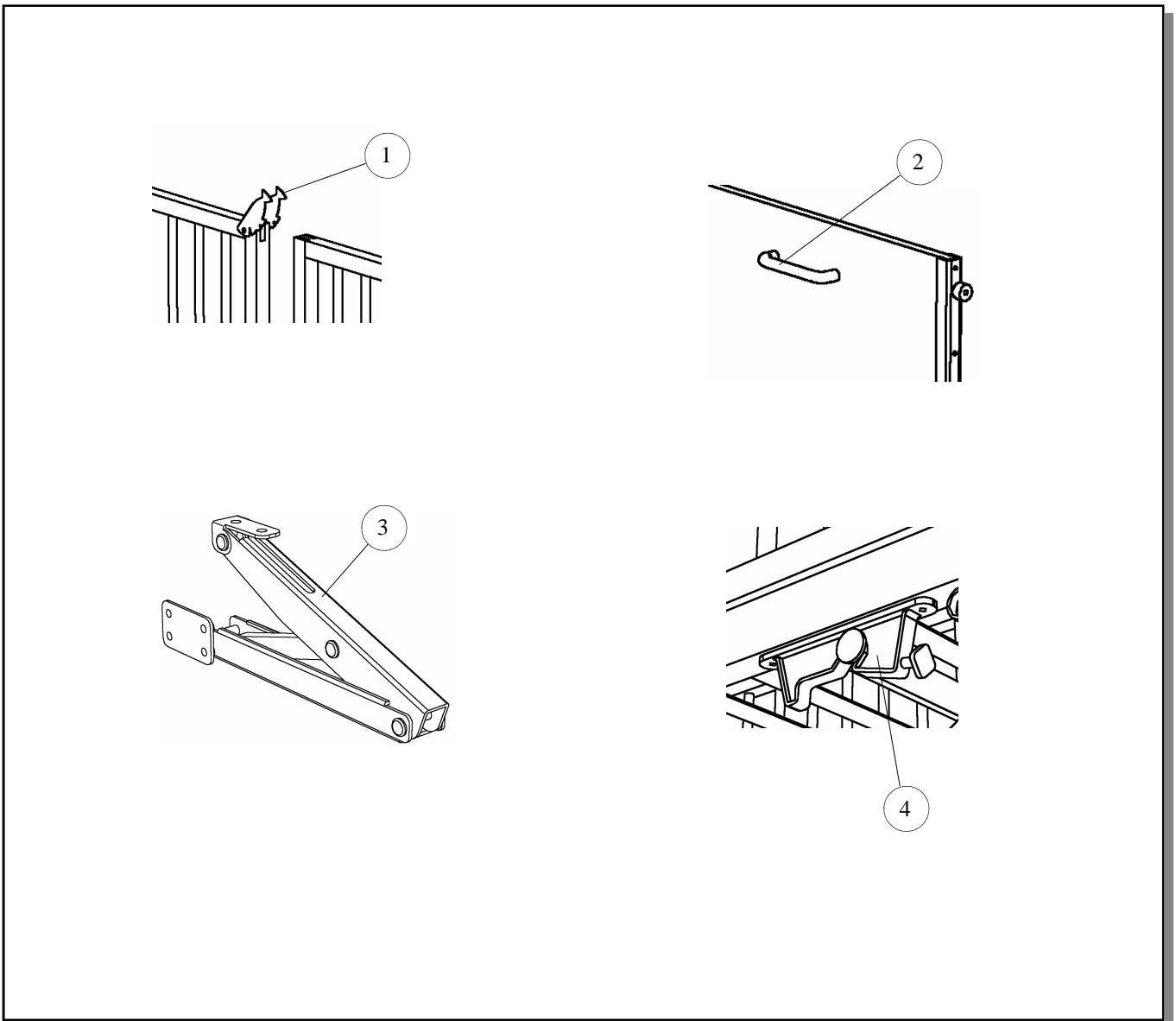


Please note:

When ordering sides, please indicate the type number and serial number of the cot. The sticker with the information is normally placed on the inside of the underframe.

Pos.	Name	Notes	Numbers	Order no.
1	Door with plexiglas, left	Delivered complete with the "fish lock" and Locking pins	1 pcs.	5700049002132
2	Door with plexiglas, right	Delivered complete with locking pins	1 pcs.	5700049002133
3	Downward-slidable side with plexiglas	Delivered complete with plate with plastic wheels	1 pcs.	5700049002134
4	Fixed side with plexiglas		1 pcs.	5700049002135
5	Bed end with plexiglas		1 pcs.	5700049002136
6				
7				

Various spareparts for the cot



Pos.	Name	Notes	Numbers	Order no.
1	"Fish lock"	Delivered with screws	1 pcs.	5700049002137
2	Handles for downward-slidable Beech veneer sides	Delivered with screws	1 set	5700049002138
3	Ratchet plate for manualside adjustment	Delivered with screws	1 pcs.	5700049002139
4	Coupling fitting for the mattress support	Delivered with screws	1 pcs.	570049002140
5				
6				
7				
8				
9				