

Spare Parts Catalogue

Version: 2011/07/28a EN

Aquatec® Ocean





Yes, you can.®

General Information

For any order of spare parts the following information is required:

- Product type*
- Product name & model*
- Serial Number*
- Part-Number*
- Part-Description*

Exploded view drawings and code numbers are not contractual and subject to modification, in relation to Invacare® continuous product improvement policy to meet end users needs.

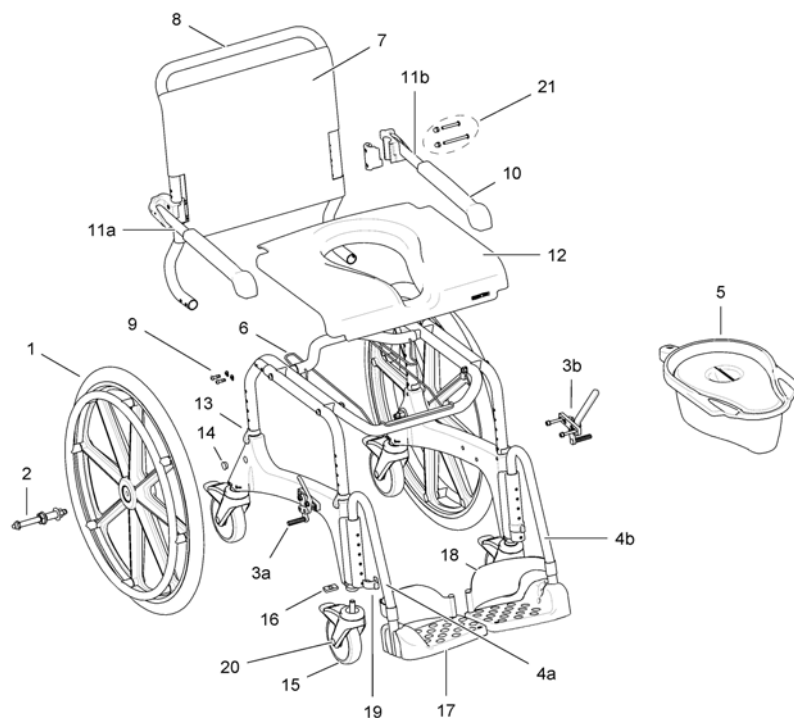
The reproduction or use of this work, or of any substantial part of this work, in any form or by any electronic, mechanical or other means, including photocopying, scanning and recording, and in any information storage and retrieval system, including electronic transmission, is forbidden without the prior written permission of Invacare® International Sarl.



Yes, you can.®

TABLE OF CONTENTS

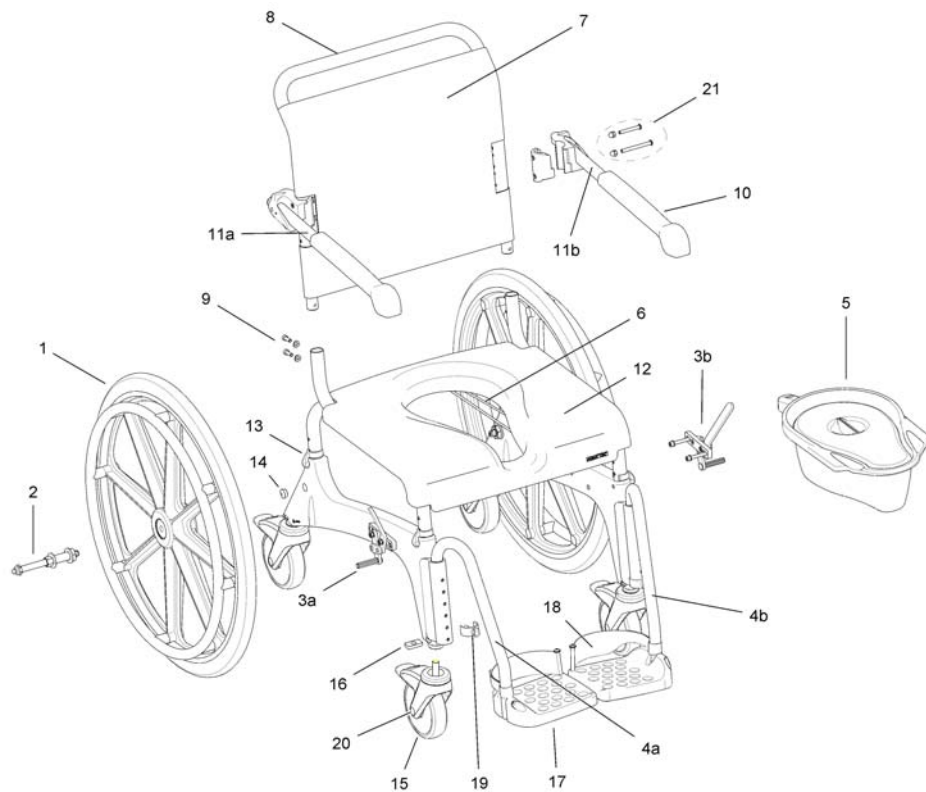
Spare parts 07/2011 =>	5
Spare parts => 07/2011	7



Pos.	Part number	Description	Valid from → until	Qty
1	16336	24 self-propelling wheel, Aquatec Ocean		2
2	16418	Set of complete hub and quick release axle (code 16338 and 16337)		1
3a	16340	Right brake cplt. Aquatec Ocean		1
3b	16339	Left brake cplt. Aquatec Ocean		1
1+2+3 a+3b	16379	24self-propelling wheels (set) with brakes, Aquatec Ocean		1
4a	1470696	footrest complete, right (tube, footrest plate, insert, heel loop), for Aquatec Ocean Vip / Ocean Dual Vip		1
4b	1470695	footrest complete, left, (tube, footrest plate, insert, heel loop) for Aquatec Ocean Vip / Ocean Dual Vip		1
5	10230	Sanitary pan with lid for Aquatec Laguna / Ocean / Ocean Vip / Ocean Dual Vip / Ocean E-Vip		1
	1541289	Lid for pan Ocean, Ocean VIP, XL		1
6	1527985	Toilet Pan holder Ocean Facelift 19 cm		1
7	1528289	Backrest cover Ocean Facelift		1
7	1527988	Backrest cover Ocean XL Facelift		1
8	1528025	Backrest w/o armr.+cover Ocean Facelift		1
9	1542900	Attachment parts Backrest Ocean Facelift		1
10	16472	Overlay for armrest tube for Aquatec Ocean / Ocean XL / Ocean Vip / Ocean Dual Vip / Ocean E-Vip		2
11a	1470693	Armrest assembly, including holder and screws pre-assembled, right, for Aquatec Ocean Vip / Ocean Dual Vip / Ocean E-Vip		1
11b	1470694	Armrest assembly, including holder and screws, pre-assembled, left for Aquatec Ocean Vip / Ocean Dual Vip / Ocean E-Vip		1
12	16262	Seat Aquatec Ocean / Ocean E-Vip		1
13	16256	Clip for frame AQUATEC OCEAN		4
14	16258	Set dummy plugs Aquatec Ocean		1
15	16259	Castor 5 Aquatec Ocean / Ocean Vip / Ocean Dual Vip / Ocean E-Vip		4
16	16721	Nut for fixation of 5 wheel Aquatec Ocean		4
17	1470689	footrest plate for Aquatec Ocean Vip / Ocean Dual Vip		2
18	16334	Heel loop Aquatec Ocean / Ocean VIP / Ocean Dual Vip / Ocean E-Vip		2
19	16333	Clip for footrest Aquatec Ocean / Ocean VIP / Ocean Dual Vip / Ocean E-Vip		2

Spare parts 07/2011 =>

Pos.	Part number	Description	Valid from → until	Qty
20	1513809	Cover cap for 5" wheel for Ocean Ocean Vip,Ocean Dual Vip,Ocean		4
21	1471052	Screws (set) for armrest Ocean/ Ocean Vip		1
	16737	side part with wheels Aquatec Ocean new design		2
	16278	Operating instruction Aquatec Ocean		1



Pos.	Part number	Description	Valid from → until	Qty
1	16336	24 self-propelling wheel, Aquatec Ocean		1
3b	16339	Left brake cplt. Aquatec Ocean		1
1+2+3 a+3b	16379	24self-propelling wheels (set) with brakes, Aquatec Ocean		1
2	16418	Set of complete hub and quick release axle (code 16338 and 16337)		1
3a	16340	Right brake cplt. Aquatec Ocean		1
4b	16432	Footrest left, complete, Aquatec Ocean / Ocean E-Vip		1
4a	16433	Footrest right, complete, for Aquatec Ocean / Ocean E-Vip		1
5	10230	Sanitary pan with lid for Aquatec Laguna / Ocean / Ocean Vip / Ocean Dual Vip / Ocean E-Vip		1
6	16335	Sanitary pan holder Aquatec Ocean		1
	16278	Operating instruction Aquatec Ocean		1
7	16257	Adjustable backrest Aquatec Ocean		1
8	16377	Backrest incl. armrests, w/o backrest cover for Aquatec Ocean		1
9	16434	Attachment set backrest Aquatec Ocean, Ocean Vip, Ocean Dual Vip		1
20	1513809	Cover cap for 5" wheel for Ocean Ocean Vip, Ocean Dual Vip, Ocean		1
21	1471052	Screws (set) for armrest Ocean/ Ocean Vip		1
10	16472	Overlay for armrest tube for Aquatec Ocean / Ocean XL / Ocean Vip / Ocean Dual Vip / Ocean E-Vip		1
11b	16265	Armrest left (set), Aquatec Ocean with screws		1
11a	16263	Armrest right (set), Aquatec Ocean with screws		1
12	16262	Seat Aquatec Ocean / Ocean E-Vip		1
13	16256	Clip for frame AQUATEC OCEAN		1
14	16258	Set dummy plugs Aquatec Ocean		1
15	16259	Castor 5 Aquatec Ocean / Ocean Vip / Ocean Dual Vip / Ocean E-Vip		1
16	16721	Nut for fixation of 5 wheel Aquatec Ocean		1
17	16260	Footplate Aquatec Ocean / Ocean E-Vip		1
18	16334	Heel loop Aquatec Ocean / Ocean VIP / Ocean Dual Vip / Ocean E-Vip		1
19	16333	Clip for footrest Aquatec Ocean / Ocean VIP / Ocean Dual Vip / Ocean E-Vip		1
	1541289	Lid for pan Ocean, Ocean VIP, XL		1



Yes, you can.®



Belgium & Luxemburg:

Invacare nv, Autobaan 22, B-8210 Loppem
Tel: (32) (0)50 83 10 10, Fax: (32) (0)50 83 10 11
belgium@invacare.com / www.invacare.be

Denmark:

Invacare A/S, Sdr. Ringvej 37, DK-2605 Brøndby
Tel: (45) (0)36 90 00 00, Fax: (45) (0)36 90 00 01
denmark@invacare.com / www.invacare.dk

Deutschland:

Invacare Aquatec GmbH, Alemannenstraße 10, D-88316 Isny
Tel: (49) (0)75 62 7 00 0, Fax: (49) (0)75 62 7 00 66
info@invacare-aquatec.com / www.invacare-aquatec.de

European Distributor Organisation:

Invacare, Kleiststraße 49, D-32457 Porta Westfalica
Tel: (49) (0)57 31 754 540, Fax: (49) (0)57 31 754 541
edo@invacare.com / www.invacare.eu.com

España:

Invacare SA, c/Areny s/n, Polígon Industrial de Celrà, E-17460 Celrà (Girona)
Tel: (34) (0)972 49 32 00, Fax: (34) (0)972 49 32 20
contactsp@invacare.com / www.invacare.es

France:

Invacare Poirier SAS, Route de St Roch, F-37230 Fondettes
Tel: (33) (0)2 47 62 64 66, Fax: (33) (0)2 47 42 12 24
contactfr@invacare.com / www.invacare.fr

Ireland:

Invacare Ireland Ltd, Unit 5 Seatown Business Campus, Seatown Road, Swords, County Dublin - Ireland
Tel: (353) 1 810 7084, Fax: (353) 1 810 7085
ireland@invacare.com / www.invacare.ie

Italia:

Invacare Mecc San s.r.l., Via dei Pini 62, I-36016 Thiene (VI)
Tel: (39) 0445 38 00 59, Fax: (39) 0445 38 00 34
italia@invacare.com / www.invacare.it

Nederland:

Invacare BV, Celsiusstraat 46, NL-6716 BZ Ede
Tel: (31) (0)318 695 757, Fax: (31) (0)318 695 758
nederland@invacare.com, csede@invacare.com / www.invacare.nl

Norge:

Invacare AS, Grensesvingen 9, Postboks 6230, Etterstad, N-0603 Oslo
Tel: (47) (0)22 57 95 00, Fax: (47) (0)22 57 95 01
norway@invacare.com, island@invacare.com / www.invacare.no

Österreich:

Invacare Austria GmbH, Herzog Odilostrasse 101, A-5310 Mondsee
Tel: (43) 6232 5535 0, Fax: (43) 6232 5535 4
info-austria@invacare.com / www.invacare.at

Portugal:

Invacare Lda, Rua Estrada Velha, 949, P-4465-784 Leça do Balio
Tel: (351) (0)225 1059 46/47, Fax: (351) (0)225 1057 39
portugal@invacare.com / www.invacare.pt

Sverige & Suomi:

Invacare AB, Fagerstagatan 9, S-163 91 Spånga
Tel: (46) (0)8 761 70 90, Fax: (46) (0)8 761 81 08
sweden@invacare.com, finland@invacare.com / www.invacare.se

Switzerland:

Invacare AG, Benkenstrasse 260, CH-4108 Witterswil
Tel: (41) (0)61 487 70 80, Fax: (41) (0)61 487 70 81
switzerland@invacare.com / www.invacare.ch

United Kingdom:

Invacare Limited, Pencoed Technology Park, Pencoed, Bridgend CF35 5AQ
Switchboard Tel: (44) (0)1656 776200, Fax: (44) (0)1656 776201
Customer services Tel: (44) (0)1656 776222, Fax: (44) (0)1656 776220
uk@invacare.com / www.invacare.co.uk