

# Aquatec® Ocean / Ocean XL



en	Shower and Toilet Commode User Manual .....	3
de	Dusch- und Toilettenrollstuhl Gebrauchsanweisung .....	27
fr	Chaise roulante pour douche/toilettes Manuel d'utilisation .....	53
it	Carrozzina da doccia e da toilette Manuale d'uso .....	77
es	Silla de ducha e inodoro Manual del usuario .....	101
pt	Cadeira de ducha e sanitária Manual de utilização .....	125
nl	Douche- en toiletstoel Gebruiksaanwijzing .....	149



This manual **MUST** be given to the user of the product.  
**BEFORE** using this product, read this manual and save for future reference.

**AQUATEC®**



**Yes, you can.®**

©2018 Invacare Corporation

All rights reserved. Republication, duplication or modification in whole or in part is prohibited without prior written permission from Invacare. Trademarks are identified by ™ and ®. All trademarks are owned by or licensed to Invacare Corporation or its subsidiaries unless otherwise noted.

Alle Rechte vorbehalten. Die Weiterveröffentlichung, Vervielfältigung oder Änderung im Ganzen oder in Teilen ohne vorherige schriftliche Genehmigung von Invacare ist untersagt. Markenzeichen sind durch ™ und ® gekennzeichnet. Alle Markenzeichen sind Eigentum der oder zugelassen auf die Invacare Corporation bzw. deren Tochtergesellschaften, sofern nicht anders angegeben.

Tous droits réservés. La republication, la duplication ou la modification de tout ou partie du présent document est interdite sans l'accord écrit préalable d'Invacare. Les marques commerciales sont identifiées par ™ et ®. Toutes les marques commerciales sont détenues par ou cédées sous licence à Invacare Corporation ou ses filiales, sauf stipulation contraire.

Tutti i diritti riservati. È proibita la riproduzione, la duplicazione o la modifica parziale o completa, salvo previa autorizzazione scritta da parte di Invacare. I marchi sono contrassegnati da ™ e ®. Tutti i marchi sono di proprietà o licenza di Invacare Corporation o di sue affiliate, salvo indicazione contraria.

Todos los derechos reservados. Queda prohibido volver a publicar, copiar o modificar el presente documento, en parte o por completo, sin el previo consentimiento por escrito de Invacare. Las marcas comerciales se identifican con los símbolos ™ y ®. Todas las marcas comerciales son propiedad de Invacare Corporation o de sus filiales, o bien Invacare Corporation o sus filiales cuentan con las correspondientes licencias, a menos que se indique lo contrario.

Todos os direitos reservados. A republicação, duplicação ou modificação total ou parcial está interdita sem a autorização prévia por escrito da Invacare. As marcas comerciais são identificadas pelos símbolos ™ e ®. Todas as marcas comerciais são propriedade da ou estão licenciadas à Invacare Corporation ou às suas subsidiárias, exceto quando apresentada informação em contrário.

Alle rechten voorbehouden. Herpublicatie, duplicatie of gehele of gedeeltelijke wijziging is verboden zonder voorafgaande schriftelijke toestemming van Invacare. Handelsmerken zijn te herkennen aan ™ en ®. Alle handelsmerken zijn eigendom van of gelicentieerd aan Invacare Corporation of haar dochterondernemingen, tenzij anders aangegeven.

---

# Contents

---

This manual MUST be given to the user of the product.  
BEFORE using this product, read this manual and save for future reference.

<b>1 General</b>	<b>4</b>
1.1 General information	4
1.2 Symbols in this user manual	4
1.3 Warranty	4
1.4 Compliance	4
1.5 Intended use	5
1.6 Service life	5
<b>2 Safety</b>	<b>6</b>
2.1 Safety information	6
2.2 Labels and symbols on the product	6
<b>3 Components</b>	<b>8</b>
3.1 Overview	8
<b>4 Setup</b>	<b>10</b>
4.1 Safety information	10
4.2 Assembling the shower and toilet commode	10
4.3 Accessory (optional)	15
<b>5 Usage</b>	<b>16</b>
5.1 Safety information	16
5.2 Using the shower and toilet commode	17
<b>6 Transport</b>	<b>19</b>
6.1 Safety information	19
<b>7 Maintenance</b>	<b>20</b>
7.1 Maintenance and inspection	20
7.2 Cleaning and disinfection	20
7.3 Changing the castors	21
<b>8 After Use</b>	<b>22</b>
8.1 Storage	22

8.2 Re-use	22
8.3 Disposal	22
<b>9 Troubleshooting</b>	<b>23</b>
9.1 Identifying and repairing faults	23
<b>10 Technical Data</b>	<b>24</b>
10.1 Dimensions and weight	24
10.2 Materials	24
10.3 Environmental parameters	25

# 1 General

## 1.1 General information

This User Manual contains important information about using the product. In order to ensure safety when using the product, read the User Manual carefully and follow the safety information.

If your vision is impaired, you can view the user manual as a PDF file on the Internet and enlarge it on-screen as required. If you cannot enlarge the text and graphics sufficiently, please contact the Invacare® distributor for your country. For addresses, see back page of this manual. If necessary, we will provide you with a high resolution PDF file of the user manual.

## 1.2 Symbols in this user manual

In this user manual, warnings are marked with symbols. The title next to the warning symbol indicates the level of danger.



### WARNING

Indicates a dangerous situation which could lead to death or serious injury if not avoided.



### CAUTION

Indicates a dangerous situation which could lead to minor injuries if not avoided.



### IMPORTANT

Indicates a dangerous situation which could lead to damage if not avoided.



Useful tips, recommendations and information to ensure efficient and smooth operation.



This product complies with the directive 93/42/EEC for medical products. The launch date for this product is specified in the CE declaration of conformity.



Manufacturer

## 1.3 Warranty

We provide a manufacturer's warranty for the product in accordance with our General Terms and Conditions of Business in the respective countries. Warranty claims can only be made through the provider from whom the appliance was obtained.

## 1.4 Compliance

Quality is of the utmost importance for our company; all processes are based on the ISO 13485 standard.

This product features the CE mark, in compliance with the Medical Device Directive 93/42/EEC Class 1.

Invacare is continuously working towards ensuring that the company's impact on the environment, locally and globally, is reduced to a minimum.

- We only use REACH compliant materials and components.

For further information please contact Invacare in your country (for addresses, see end of this document).

## 1.5 Intended use

The shower and toilet commode is designed exclusively as an aid for showering or bathing, going to the toilet, for use during personal hygiene (e.g. in front of the basin) or for transferring patients while indoors. It is intended to be used by adult patient, with or without caregiver assistance, who have:

- Difficulty standing or keeping their balance
- Weak legs or lower limb disability
- Medical conditions that impair their balance

The product is intended for institutional and private household use. Any other use is prohibited.



### **WARNING!**

#### **Risk of injury**

- Never use the product as an aid for getting into or out of a bathtub, for climbing or descending, as a support or for similar purposes.
- Do not use the product outdoors.

As a toilet commode, the product can be used over a standard toilet or independently with the commode pan (optional).

The shower and toilet commode may only be used as a bathing stool in a pool, if the pool does not contain salt water and an attendant is present at all times.

Temperature for use: 10 - 65 °C

## 1.6 Service life

We estimate a life expectancy of five years for these products, provided they are used in strict accordance

with the intended use as set out in this document and all maintenance and service requirements are met. The estimated life expectancy can be exceeded if the product is carefully used and properly maintained, and provided technical and scientific advances do not result in technical limitations. The life expectancy can also be considerably reduced by extreme or incorrect usage. The fact that we estimate a life expectancy for these products does not constitute an additional warranty.

## 2 Safety

### 2.1 Safety information



#### WARNING!

- Do not use this product or any available optional equipment without first completely reading and understanding these instructions and any additional instructional material such as user manuals, service manuals or instruction sheets supplied with this product or optional equipment. Invacare product manuals are available on the internet or at your local dealer (Addresses are displayed on the back cover of this manual).
- If you are unable to understand the warnings, cautions or instructions, please contact a healthcare professional, dealer or technical personnel before attempting to use this equipment – otherwise, injury or damage may occur.



#### WARNING!

#### Risk of injury

- Do not stand on the product.
- Do not use as a climbing aid.
- Do not use outdoors.



#### WARNING!

#### Risk of injury

- Do not use if defective.
- In the event of a malfunction, contact your dealer immediately.
- Do not make any unauthorized changes or alterations to the product.
- Only use accessories intended for this product.



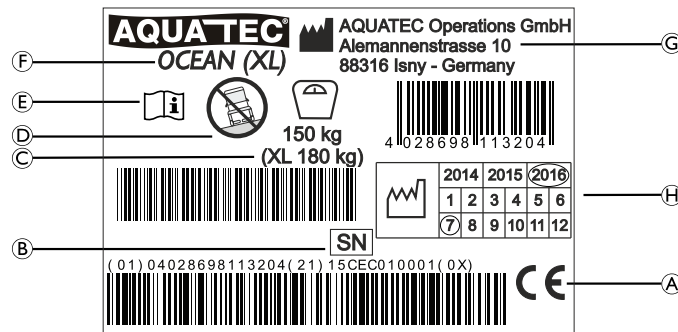
#### IMPORTANT!

The information contained in this document is subject to change without notice.

### 2.2 Labels and symbols on the product

#### Identification label

The identification label contains important information:



Ⓐ	Conformity mark
Ⓑ	Serial number
Ⓒ	Maximum user weight
Ⓓ	Note (use only on flat surfaces)
Ⓔ	Read user manual
Ⓕ	Product designation
Ⓖ	Manufacturer address
Ⓗ	Date of manufacture

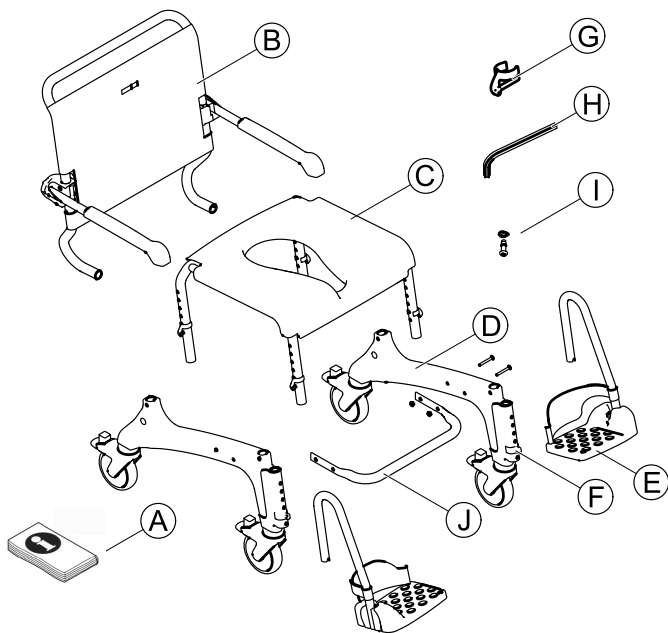


The identification label is attached to the inside of the right side section.

## 3 Components

### 3.1 Overview

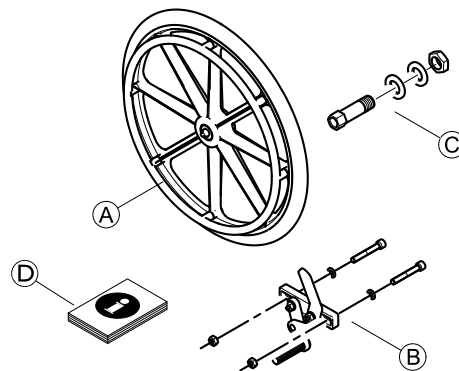
The following components are included within the scope of delivery:



(A)	User Manual
(B)	Backrest with backrest cover and armrests

(C)	Seat frame with seat plate
(D)	Side parts with wheels (2 x)
(E)	Footrests with heel strap (2 x)
(F)	Clips (2 x) for footrest (inserted)
(G)	Clips (4 x) for seat frame
(H)	Allen key AF 4
(I)	Screws (4 x) and washers (4 x)
(J)	Base stabilization tube with screws (4 x) and nuts (4 x) - Ocean XL only

The following parts are included within the scope of delivery of the self-propelling wheels with parking brake:





Ⓐ	Self-propelling wheels (2 x)
Ⓑ	Parking brakes (2 x)
Ⓒ	Hubs incl. axles (2 x)



Note the change in dimensions when the self-propelling wheels are fitted. For details see chapter Technical Data.

## 4 Setup

### 4.1 Safety information



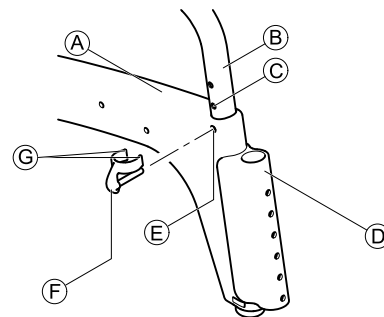
#### WARNING!

- Check the parts for transport damage before commissioning and contact your dealer if required.
- Ensure during assembly that the parts are positioned correctly with respect to one another.
- Self locking screws, nuts or thread locking adhesive are used for several connections. If these are loosened, they must be replaced by new self locking screws, nuts or they must be secured using new thread locking adhesive.

### 4.2 Assembling the shower and toilet commode

This section describes the assembly. Disassembly takes place in the reverse order.

#### Fitting the seat frame tube for height adjustment



1. Remove the enclosed clips (F) from the bag.
2. Place the seat frame on its side.



#### IMPORTANT

- Push the side part evenly onto the frame and do not twist.
- Secure the side part at the same height, front and rear.

3. Push the side part (A) with the guides for the footrests (D) forwards on the seat frame (B).
4. Bring the clip mounts (E) on the front and back of the side part in line with a hole in the seat frame (C).
5. Insert the clips (F) from the outside into the side part, until both ends (G) enclose the seat frame tube (B).



#### IMPORTANT

- Ensure that the left and the right side parts are set to the same height.

6. Turn the seat frame and repeat the procedure on the second side part.
7. Set the seat frame with the fitted side parts on its wheels.

### Adjusting the seat height

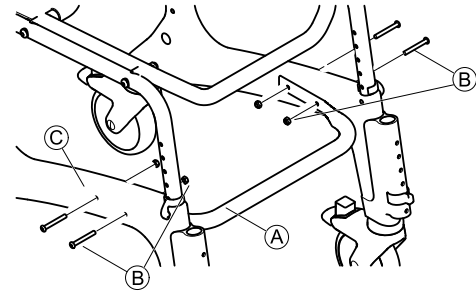


#### WARNING!

- The seat height must be adjusted to suit the user. As a rule, the seat height is correctly adjusted when the user is sitting on the commode and both feet touch the ground.
- The seat height must be adjusted to the same height on both sides.
- Do not adjust the seat height when someone is sitting on the shower and toilet commode.

1. Raise the shower and toilet commode slightly on one side by the seat frame ⑥.
2. Remove both clips ⑤ on this side.
3. Pull the seat frame out of the side part ④ or push it into the side part to adjust the seat height.
4. Push both clips back in completely.
5. Repeat step 1 – 4 on the other side.

### Fitting the base stabilization tube (Ocean XL only)



1. Fit the base stabilization tube ④ using the screws and nuts ⑤ supplied between the side parts ⑥.

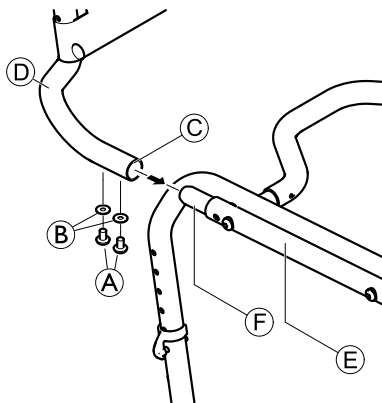
### Fitting the backrest

1. Push down all four foot pedals for the castors to lock them.



#### IMPORTANT!

- Make sure the armrests are facing forward when folded up.



2.

Insert the backrest ④ from behind into the seat frame ⑤, until the collar ③ touches the seat frame tube ⑥.

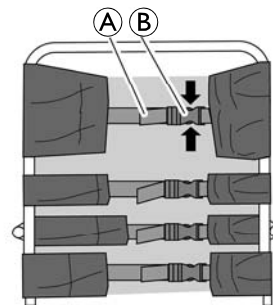
**!** **IMPORTANT!**

- Firmly tighten the screws using the Allen key supplied.
- Check the screws regularly to ensure they are sitting securely.

3. Position a washer ② on each screw ① and secure the backrest on each side.
4. Tighten the screws with a torque of 5 Nm.

**Adjusting the backrest cover**

The tension of the backrest can be adjusted as desired.



**WARNING!**

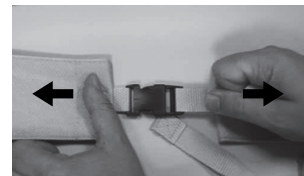
– Make sure that at least two belts are always passed by the backrest frame (on the outside) and their belt locks are closed.

Tightening:

1. Pull the belts ① of the backrest cover tighter.

Loosening:

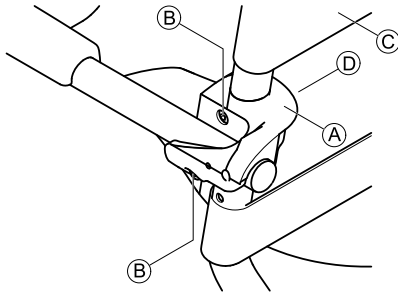
1. Open the buckles ② by squeezing the retaining lugs together (arrows).
2. Push the belts back a little through the buckle.
3. Close the belt buckles.
4. Retighten the belts gently.



**WARNING!****Risk of injury due to damaged backrest buckles!**

Check for secure fastening of the backrest buckles each time the product is maintained or reconditioned.

- Check all buckle clips for secure fastening by closing the buckles and pulling on both ends.
- Replace the backrest/backrest buckles if a buckle opens under the applied force.

**Adjusting the height of the armrests****IMPORTANT!**

- Adjust the height of the armrests to suit the user.
- Change the height of the armrests evenly on both sides.
- Set the height of the right and left armrest in the exact same manner.

1. On the backrest cover, open the buckle of the belt that passes on the inside of the backrest frame.
2. On the backrest cover, open the buckle of the belt © that runs above the armrest.
3. Pass this belt on the inside of the backrest frame and re-close.



The nuts are inserted loosely in the retaining clamp and can fall out.

4. Unscrew the screws © of the armrest bracket © using the Allen key supplied.
5. Remove the securing clamp © with the nuts from the inside of the backrest frame.
6. Remove the backrest bracket © with the armrest and move it upwards.



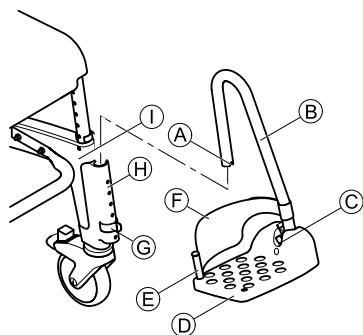
The smaller hole serves to fix the retaining clamp.

7. Insert the screws in the armrest bracket and guide them through the holes in the backrest frame.
8. If required, put the nuts back into the retaining clamp.
9. Place the retaining clamp on the backrest frame so that the fixing on the retaining clamp projects into the smaller hole.
10. Turn the screws in the nuts and tighten.
11. Pass the belt of the backrest cover that is still open on the outside of the backrest frame, close and tighten all belts.

**!** **IMPORTANT!**

The armrests are lowered using the same procedure.  
 – When converting to the lower position, the belt that lies beneath the armrest must be opened and passed inside the backrest frame.

**Fitting the footrests**



1. Push the footrest **B** with the footplate **D** into the guide **H** at the front of the side part **I** until the groove **A** engages with the pin of the clip **G**. The footrest can no longer be turned to the side.

**i** The assembly procedure is the same for the right and the left footrests.

**Adjusting the height of the footrests**

1. Pull up the footrest **B** slightly.
2. Pull out the clip **G** and put it in again at the required position. Pull out the footrest slightly further if necessary.
3. Push down the footrest until the groove **A** catches the pin of the clip.
4. Set the other footrest to the same height as described.

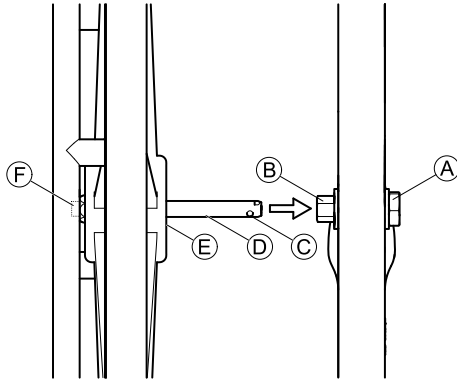
**Adjusting the inclination of the foot plates**

**!** **IMPORTANT!**

– The inclination of the foot plates can be adjusted infinitely variably.  
 – Make sure that the right and left foot plate is adjusted in the same way.

1. Loosen the Allen screw **C** on the foot plate using a size 4 Allen key.
2. Turn the foot plate **D** to the desired position.
3. Re-tighten the Allen screw.

## Fitting/removing the self-propelling wheels (optional)



5. Raise the shower and toilet commode a little.
6. Insert the axle into the hub (B) and push in the self-propelling wheel onto the axle until the end stop (E).
7. Release the button (F).
8. Press the retaining balls outward so that they are behind the hex nut (A).

To remove the wheels, carry out the same procedure in the reverse order.

### 4.3 Accessory (optional)



#### **WARNING!**

#### **Risk of injury**

- The assembly of accessories (optional) must be carried out according to the corresponding instructions.

#### **!** IMPORTANT!

- When the self-propelling wheels are fitted, the rear wheels must remain locked.
- The assembly is the same for the right and left self-propelling wheel.
- The hubs and the parking brakes for the self-propelling wheels must be fitted by a qualified technician. Assembly is described in the assembly instructions „Assembling the hubs and brakes for Aquatec® Ocean 24" wheels“.

1. Align all four castors in the driving direction.
2. Lock all castors.
3. Push the axle (D) on the self-propelling wheel inwards. (The handrims project outwards.)
4. Press and hold the button (F) on the outside of the axle. This releases the retaining balls (C) at the end of the axle.

## 5 Usage

### 5.1 Safety information



#### **WARNING!**

- Only use the shower and toilet commode on a flat surface and indoors.
- Observe the specifications on the identification label. Do not overload the shower and toilet commode.
- Do not place excessive weight on the shower and toilet commode.
- Always perform a visual inspection of the product for external damage before each use.



#### **WARNING!**

##### **Risk of slipping and rolling**

- Before use, make sure that the seat is securely fastened to the seat frame.
- Lock all castors with levers using the foot levers before sitting down on the shower and toilet commode or standing up from it, as well as in the parking position.
- Apply the parking brake when the self-propelling wheels are fitted (optional).



#### **WARNING!**

##### **Risk of tipping**

- Swivel the footrests to the side or fold up the foot plates before sitting down or standing up.
- Before sitting down or standing up, turn the front castors so that the lock is pointing forwards.
- Never stand on the footrests.
- Do not lean excessively forwards.



#### **WARNING!**

##### **Risk of tipping forwards**

- Front antitippers (Art. No. 1535936) are available to prevent the shower commode chair from tipping forward.



#### **WARNING!**

##### **Risk of tipping**

- The shower and toilet commode must only be moved by using the push bar or the self-propelled wheels (optional).



#### **CAUTION!**

##### **Risk of burning your skin**

- The product components can heat up when exposed to external sources of heat.
- Do not expose the product to strong sunlight before use.
  - Allow the product to reach room temperature before use.



**CAUTION!****Risk of pinching**

- When using the self-propelling wheels (optional), do not insert your fingers between the spokes or the rotating self-propelling wheels and the seat frame while moving.

**IMPORTANT!****Risk of damage to the product**

- Do not lift the shower and toilet commode using the footrests.

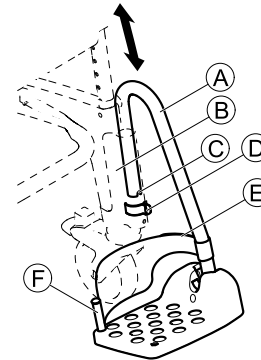
## 5.2 Using the shower and toilet commode

### Swiveling the armrests

**CAUTION!****Risk of getting fingers caught in the folding mechanism**

- Do not insert fingers in the articulated joint when folding the armrests up or down.
- Do not insert fingers between the armrest and the backrest when folding back the armrests.
- Make sure that no parts get caught.

### Swiveling the footrests

**Entry position/exit position:**

1. Pull the footrest **A** in the guide **B** a little upwards, until the groove **C** no longer engages in the pin of the clip **D**.
2. Swivel the footrest to the side.

**Driving position:****CAUTION!****Risk of accident due to loose footrest**

- Fix footrests in the driving position.

1. Turn the footrest **A** inwards.
2. Push the footrest downward, until the groove **C** engages in the pin of the clip **D**.

### Removing/fitting the heel strap

1. Open the Velcro® strip (E) on the heel strap.
2. Remove the screw (E) from the underside of the foot plate.
3. Remove the heel strap from the flexible plastic pin.



To attach the strap, carry out the same procedure in the reverse order.



#### **IMPORTANT!**

- When installing ensure that the Velcro® strip of the heel strap is facing backwards.

### Removing/fitting the seat plate

#### Removing:

1. Pull the seat plate upwards on both sides.

#### Fitting:



#### **CAUTION!**

##### **Risk of getting fingers caught**

- Do not insert fingers between the seat surface and the seat frame when pressing down on the seat plate.

1. Place the seat plate on the seat frame with the cutout to the front.
2. Push the seat plate backwards as far as it will go.
3. With your hand flat, press the seat plate down at the sides and then at the front and back until the seat plate snaps into the seat frame.

---

## 6 Transport

---

### 6.1 Safety information



The product can be dismantled for transport into the parts of the scope of delivery, see chapter 3.1 *Overview, page 8*.

1. Disassemble the product, see chapter 4.2 *Assembling the shower and toilet commode, page 10* by following the assembly steps in reverse order.



#### **IMPORTANT!**

##### **Risk of damage to the product**

- Transport the product in a dry area.
- Do not expose the product to direct sunlight.
- Refer to the storage and shipping conditions in chapter 10.3 *Environmental parameters, page 25*.



#### **IMPORTANT!**

- Self locking screws, nuts or thread locking adhesive are used for several connections. If these are loosened, they must be replaced by new self locking screws, nuts or they must be secured using new thread locking adhesive.

## 7 Maintenance

### 7.1 Maintenance and inspection



Maintenance is required to be done at least once a year.

To ensure good performance and safety you should regularly check that the following is carried out:

- Check the product and accessories regularly for damage. Do not use the product if defective.
- Check tilting function of the seat frame and backrest (Ocean Dual VIP Ergo). Easy tilting and secure locking of the position is mandatory.
- In case of damage or malfunction we recommend to contact your provider.
- Ensure that the product is securely assembled incl. all protection covers and that screws are properly tightened.



#### **WARNING!**

##### **Risk of injury and damage**

If the product is improperly adjusted it can cause accidents and severe injuries.

- The product must be repaired by a qualified technician.
- Damaged parts have to be replaced by a qualified technician.
- Only use original Invacare spare parts.

### 7.2 Cleaning and disinfection

The product can be cleaned and disinfected using commercially available agents.



#### **IMPORTANT!**

In the sensitive area of the bathroom and toilet, hygiene is particularly important.

- Keep the product clean at all times and wipe it down regularly.

1. Disinfect the product by wiping down all generally accessible surfaces with disinfectant (after disassembling the product, if possible).



#### **IMPORTANT!**

All cleaning agents and disinfectants used must be effective, compatible with one another and must protect the materials they are used to clean. For further information on decontamination in Healthcare Environments, please refer to 'The National Institute for Clinical Excellence' guidelines on Infection Control [www.nice.org.uk/CG139](http://www.nice.org.uk/CG139) and your local infection control policy.

- Clean by hand or in an autoclave.
- Clean without scouring agent.

#### **Cleaning in a domestic environment**



#### **IMPORTANT!**

Risk of damage to the product

- Do not disassemble the holders for the accessories.

1. Remove any accessories fitted.
2. Pull the footrests out of the guides.
3. Remove the seat plate and the backrest cover.
4. Remove the side parts.
5. Reinsert the clips in the seat frame immediately so that they are not misplaced.
6. Wipe down the individual parts using a cloth or brush and commercially available cleaning agents and disinfectants.
7. Rinse the parts with warm water.
8. Dry the parts with a cloth.
9. Re-assemble the product, see chapter 4 Setup.

### Cleaning in a clinical environment



In addition to cleaning as described above, clean the product after the release of each patient, after ending of the period of use or on a minimum monthly basis (depending on which occurs first) at 85 °C for 3 minutes in the autoclave.



#### CAUTION!

##### Risk of burning your skin

- Allow the product to cool after cleaning in the autoclave.

### Cleaning the backrest cover (optional)

1. Remove the backrest cover.
2. Machine-wash the cover at max. 60 °C using a mild detergent.



#### IMPORTANT!

##### Risk of damage

- Washing at higher temperatures can cause shrinkage.
- Do not tumble dry covers.



#### IMPORTANT!

Excessive cleaning can damage textile.

- We recommend to change the backrest cover every two years for hygiene reasons.

### Cleaning the toilet pan (optional)

The toilet pan can be cleaned in an autoclave at following temperatures/times:

- 90 °C for 1 minute
- 85 °C for 3 minutes
- 80 °C for 10 minutes.

## 7.3 Changing the castors



#### WARNING!

##### Risk of accident due to incorrectly fitted castors.

- The castors must be replaced by a specialist dealer.

---

## 8 After Use

---

### 8.1 Storage



#### **IMPORTANT!**

#### **Risk of damage to the product**

- Store the product in a dry area.
- Do not store the product near heat sources.
- Do not expose the product to direct sunlight.
- Refer to the storage and shipping conditions in chapter *10.3 Environmental parameters*, page 25.

### 8.2 Re-use

The product is suitable for repeated use. The number of times it can be used depends on how often and in which way the product is used. Before reuse, clean and disinfect the product thoroughly (→ *7.2 Cleaning and disinfection*, page 20) and check the safety functions, and reset if necessary.

### 8.3 Disposal

The disposal and recycling of used devices and packaging must comply with the applicable legal regulations.

Please refer to the manufacturer for details of the proper and complete disposal.

## 9 Troubleshooting

### 9.1 Identifying and repairing faults

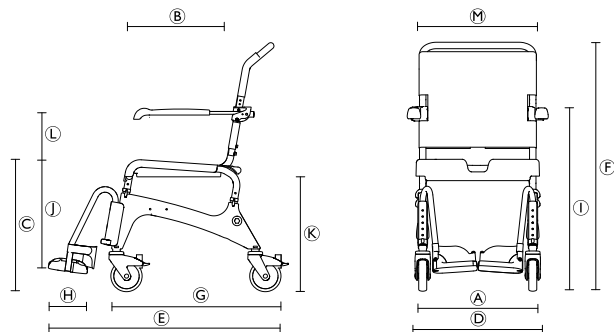


The following table provides information on malfunctions and their possible causes. If you cannot correct the malfunction using the remedies named, please contact your specialist dealer directly.

Fault	Possible cause	Remedy
Difficulty in adjusting the seat height	Dirt between the seat frame and the side section	Disassemble product into the parts of the scope of delivery and clean thoroughly
The castors are difficult or impossible to turn	Dirt between the fork and the rim	Thoroughly clean the castors
Difficulty pushing the footrests to the side	Deposits in the guides	Thoroughly clean the footrests and the guides
Parking brake of the self-propelling wheels (optional) does not engage	Parking brake wrongly adjusted	The parking brake must be adjusted by a qualified technician.

## 10 Technical Data

### 10.1 Dimensions and weight



Ⓐ	Seat width	480 mm
Ⓑ	Seat depth	450 mm
Ⓒ	Seat height	475 - 600 mm
Ⓓ	Total width (Ocean) Total width (Ocean XL) Total width with self-propelling wheels	560 mm 640 mm 675 mm
Ⓔ	Total depth Total depth with self-propelling wheels	900 mm 1060 mm
Ⓕ	Total height	964 - 1094 mm
Ⓖ	Depth without footrests	700 mm

Ⓜ	Depth of foot plate	160 mm
Ⓝ	Height to armrests	680 - 850 mm
Ⓣ	Height from footrest to seat	255 - 495 mm
Ⓚ	Min. distance between the floor and the bracket for the commode pan	approx. 408 mm
	Min. width between the side parts	approx. 381 mm
	Product weight	approx. 15 kg
	Product weight with self-propelling wheels	approx. 19.5 kg
	Maximum User weight (Ocean)	150 kg
	Maximum User weight (Ocean XL)	180 kg

### 10.2 Materials

Frame	Stainless steel, powder-coated
Seat plate	Polypropylene
Backrest cover	Nylon, PVC-coated
Footrests / Side parts	Polypropylene, fiber-glass reinforced parts
Armrest pads	Polypropylene



Castors	Plastics and stainless steel
Running surface of 24" wheels	PUR

All product components are corrosion resistant and do not contain natural rubber latex.

### 10.3 Environmental parameters

<b>Operating conditions</b>	
Ambient temperature	10 - 65 °C
Relative humidity	15% - 93%, non-condensing
Atmospheric pressure	795 - 1060 hPa
<b>Storage and shipping conditions</b>	
Ambient temperature	0 - 65°C
Relative humidity	30% - 75%, non-condensing
Atmospheric pressure	795 - 1060 hPa



---

# Inhaltsverzeichnis

---

Diese Gebrauchsanweisung muss dem Benutzer des Produkts ausgehändigt werden. Lesen Sie diese Gebrauchsanweisung vor Verwendung des Produktes und bewahren Sie sie für den weiteren Gebrauch auf.

<b>1 Allgemein</b>	<b>28</b>
1.1 Allgemeine Informationen	28
1.2 Symbole in dieser Gebrauchsanweisung	28
1.3 Garantie	29
1.4 Konformität	29
1.5 Verwendungszweck	29
1.6 Produktlebensdauer	30
<b>2 Sicherheit</b>	<b>31</b>
2.1 Sicherheitsinformationen	31
2.2 Schilder und Symbole auf dem Produkt	31
<b>3 Aufbau und Funktion</b>	<b>33</b>
3.1 Übersicht	33
<b>4 Inbetriebnahme</b>	<b>35</b>
4.1 Sicherheitsinformationen	35
4.2 Montage des Dusch- und Toilettenrollstuhles	35
4.3 Zubehör (optional)	41
<b>5 Verwenden</b>	<b>42</b>
5.1 Sicherheitsinformationen	42
5.2 Verwendung des Dusch- und Toilettenrollstuhles	43
<b>6 Transport</b>	<b>45</b>
6.1 Sicherheitsinformationen	45
<b>7 Instandhaltung</b>	<b>46</b>
7.1 Wartung und Inspektion	46
7.2 Reinigung und Desinfektion	46
7.3 Auswechseln der Schwenkräder	47

<b>8 Nach dem Gebrauch</b>	<b>48</b>
8.1 Lagerung	48
8.2 Wiedereinsatz	48
8.3 Entsorgung	48
<b>9 Problembehandlung</b>	<b>49</b>
9.1 Erkennen und Beheben von Mängeln	49
<b>10 Technische Daten</b>	<b>50</b>
10.1 Abmessungen und Gewicht	50
10.2 Materialien	50
10.3 Umgebungsbedingungen	51

# 1 Allgemein

## 1.1 Allgemeine Informationen

Diese Gebrauchsanweisung enthält wichtige Informationen zur Verwendung des Produkts. Lesen Sie die Gebrauchsanweisung sorgfältig durch, und beachten Sie die Sicherheitsinformationen, damit eine sichere Verwendung des Produkts gewährleistet ist.

Falls Ihr Sehvermögen eingeschränkt ist, können Sie die Gebrauchsanweisung auf unserer Website als PDF-Datei öffnen oder herunterladen und die Anzeigegröße nach Bedarf anpassen. Wenn Sie den Text und die Grafiken nicht ausreichend vergrößern können, wenden Sie sich an die Invacare Vertretung in Ihrem Land. Adressen finden Sie auf der Rückseite dieses Handbuchs. Bei Bedarf stellen wir Ihnen die Gebrauchsanweisung als hochauflösende PDF-Datei zur Verfügung.

## 1.2 Symbole in dieser Gebrauchsanweisung

Warnungen sind in dieser Gebrauchsanweisung mit Symbolen gekennzeichnet. Die Definition neben dem Warnsymbol weist auf den Grad der Gefährlichkeit hin.



### WARNUNG

Weist auf eine gefährliche Situation hin, die bei Nichtbeachtung zum Tod oder zu schweren Verletzungen führen könnte.



### VORSICHT

Weist auf eine gefährliche Situation hin, die bei Nichtbeachtung zu leichten Verletzungen führen könnte.



### WICHTIG

Weist auf eine gefährliche Situation hin, die bei Nichtbeachtung zu Beschädigungen führen könnte.



Nützliche Tipps, Empfehlungen und Informationen, um eine effiziente und reibungslose Verwendung zu gewährleisten.



Dieses Produkt entspricht der Richtlinie 93/42/EWG für Medizinprodukte. Der Markteinführungszeitpunkt für dieses Produkt ist in der CE-Konformitätserklärung festgelegt.



Hersteller

### 1.3 Garantie

Wir gewähren für das Produkt eine Herstellergarantie gemäß unseren Allgemeinen Geschäftsbedingungen für das entsprechende Land. Gewährleistungsansprüche können ausschließlich über den Händler geltend gemacht werden, von dem das Produkt bezogen wurde.

### 1.4 Konformität

Qualität steht für unser Unternehmen an erster Stelle. Sämtliche Verfahren basieren auf der Norm ISO 13485.

Dieses Produkt trägt in Übereinstimmung mit der Richtlinie 93/42/EWG über Medizinprodukte, Klasse I, die CE-Kennzeichnung.

Invacare setzt sich kontinuierlich dafür ein, die Umwelt durch seine Unternehmenstätigkeit sowohl unmittelbar vor Ort als auch weltweit möglichst wenig zu beeinträchtigen.

- Wir verwenden ausschließlich REACH-konforme Materialien und Bauteile.

Weitere Informationen erhalten Sie bei der Niederlassung von Invacare in Ihrem Land (Anschriften finden Sie am Ende dieses Dokuments).

### 1.5 Verwendungszweck

Der Dusch- und Toilettenrollstuhl ist ausschließlich als Hilfsmittel beim Duschen oder Baden, für den Toilettengang, bei der persönlichen Hygiene (z. B. vor dem Waschbecken) oder für das Umsetzen eines Patienten in Innenräumen vorgesehen. Er ist für die Verwendung durch erwachsene Patienten – mit oder ohne Unterstützung durch

1552757-G

Pflegepersonal – mit den folgenden Beeinträchtigungen vorgesehen:

- Schwierigkeiten beim Stehen und beim Halten des Gleichgewichts
- Beinschwäche oder Behinderungen der unteren Gliedmaßen
- Erkrankungen, die den Gleichgewichtssinn beeinträchtigen

Das Produkt ist für den Einsatz in einer Pflegeeinrichtung bzw. den häuslichen Gebrauch vorgesehen. Eine Verwendung zu anderen Zwecken ist nicht zulässig.



#### **WARNING!**

#### **Verletzungsgefahr**

- Das Produkt darf nicht als Hilfsmittel zum Umsetzen aus einer oder in eine Badewanne, als Auf- oder Absteighilfe oder als Unterstützung für ähnliche Zwecke verwendet werden.
- Das Produkt darf nicht im Freien verwendet werden.

Als Toilettenrollstuhl kann das Produkt über einer Standardtoilette eingesetzt werden. Bei Verwendung des Toilettentopfs (optional) ist auch ein von einer Toilette unabhängiger Einsatz möglich.

Der Dusch- und Toilettenrollstuhl darf nur dann als Badestuhl in einem Schwimmbecken verwendet werden, wenn das Becken kein Salzwasser enthält und jederzeit eine Begleitperson anwesend ist.

Verwendungstemperatur: 10 – 65 °C

## 1.6 Produktlebensdauer

Die Nutzungsdauer dieser Produkte beträgt schätzungsweise fünf Jahre, vorausgesetzt, sie werden streng in Übereinstimmung mit dem in diesem Handbuch beschriebenen Einsatzzweck verwendet und alle Wartungs- und Serviceanforderungen werden erfüllt. Bei sorgfältigem Umgang und ordnungsgemäßer Pflege sowie unter der Voraussetzung, dass technische und wissenschaftliche Fortschritte nicht zu technischen Einschränkungen führen, kann das Produkt länger genutzt werden. Durch hohe Beanspruchung oder falschen Umgang kann sich die Nutzungsdauer auch reduzieren. Die Tatsache, dass wir für diese Produkte eine erwartete Lebensdauer angeben, begründet keine zusätzliche Garantie.

## 2 Sicherheit

### 2.1 Sicherheitsinformationen



#### WARNUNG!

- Verwenden Sie dieses Produkt oder optionales Zubehör erst, nachdem Sie diese Anweisungen und mögliches zusätzliches Anweisungsmaterial, wie zum Produkt oder optionalen Zubehör gehörende Gebrauchsanweisungen, Servicehandbücher oder Merkblätter, vollständig gelesen und verstanden haben. Invacare Produkthandbücher erhalten Sie im Internet oder bei Ihrem Händler vor Ort (Anschriften finden Sie auf der Rückseite des Handbuchs).
- Falls die Warnungen, Sicherheitshinweise und Anweisungen unverständlich sind, wenden Sie sich bitte an einen Mitarbeiter des Pflegepersonals, den zuständigen Händler oder den technischen Kundendienst von Invacare, bevor Sie die Ausrüstung verwenden. Andernfalls kann es zu Sach- oder Personenschäden kommen.



#### WARNUNG!

#### Verletzungsgefahr

- Nicht auf das Produkt stellen.
- Nicht als Steighilfe verwenden.
- Nicht im Außenbereich verwenden.



#### WARNUNG!

#### Verletzungsgefahr

- Defekte Produkte nicht verwenden.
- Wenden Sie sich im Falle einer Fehlfunktion bitte sofort an Ihren Händler.
- Keine unbefugten Veränderungen am Produkt vornehmen.
- Nur Zubehör verwenden, das für dieses Produkt bestimmt ist.



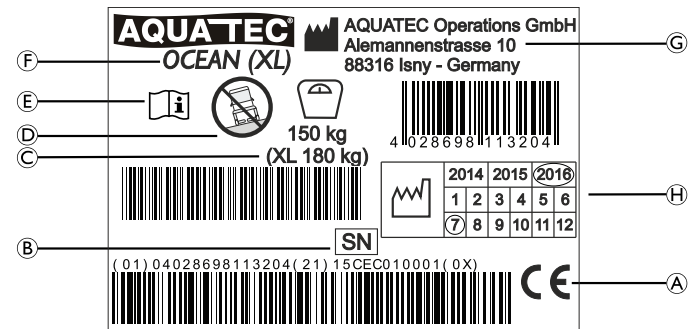
#### WICHTIG!

Die in diesem Handbuch enthaltenen Informationen können jederzeit ohne vorherige Ankündigung geändert werden.

### 2.2 Schilder und Symbole auf dem Produkt

#### Typenschild

Das Typenschild enthält wichtige Informationen:



Ⓐ	Konformitätszeichen
Ⓑ	Seriennummer
Ⓒ	Maximales Benutzergewicht
Ⓓ	Hinweis (Verwendung nur auf ebener Fläche)
Ⓔ	Gebrauchsanweisung lesen
Ⓕ	Produktbezeichnung
Ⓖ	Adresse des Herstellers
Ⓗ	Herstellungsdatum



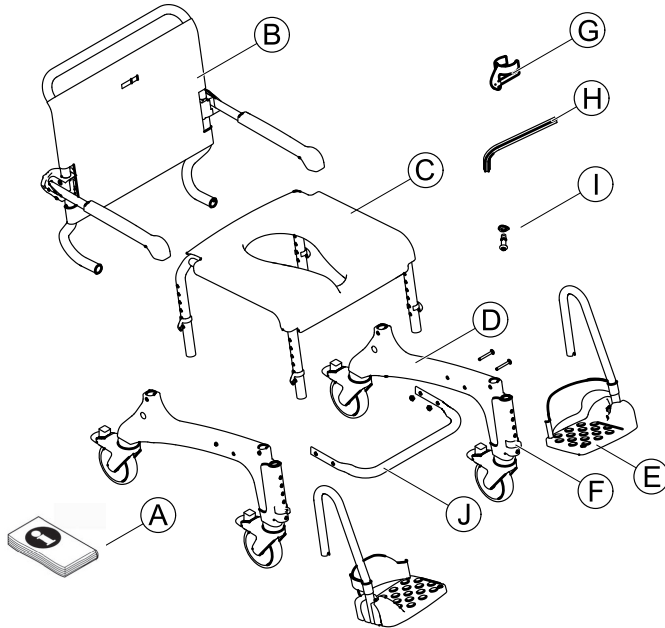
Das Typenschild ist an der Innenseite des rechten Seitenteils angebracht.



### 3 Aufbau und Funktion

#### 3.1 Übersicht

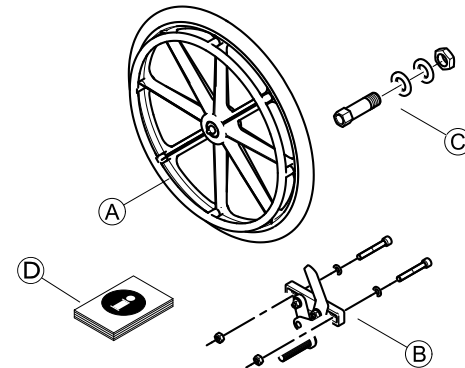
Die folgenden Komponenten sind im Lieferumfang enthalten:



(A)	Gebrauchsanweisung
(B)	Rückenlehne mit Rückenlehnenbezug und Armlehnen

(C)	Sitzrahmen mit Sitzplatte
(D)	Seitenteile mit Rädern (2 x)
(E)	Fußauflagen mit Fersenband (2 x)
(F)	Clips (2 x) für Fußauflage (eingesetzt)
(G)	Clips (4 x) für Sitzrahmen
(H)	Innensechskantschlüssel AF 4
(I)	Schrauben (4 x) und Unterlegscheiben (4 x)
(J)	Basisstabilisierrohr mit Schrauben (4 x) und Muttern (4 x) – nur Ocean XL

Die folgenden Teile sind im Lieferumfang der Räder mit Eigenantrieb mit Feststellbremse enthalten:



Ⓐ	Räder mit Eigenantrieb (2 x)
Ⓑ	Feststellbremsen (2 x)
Ⓒ	Naben inkl. Achsen (2 x)



Beachten Sie die veränderten Abmessungen, wenn die Räder mit Eigenantrieb montiert sind. Weitere Informationen siehe Kapitel „Technische Daten“.

## 4 Inbetriebnahme

### 4.1 Sicherheitsinformationen



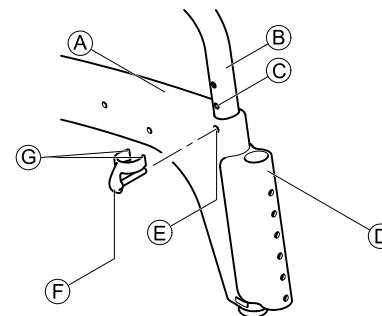
#### WARNUNG!

- Überprüfen Sie die Teile vor Inbetriebnahme auf Transportschäden, und wenden Sie sich im Bedarfsfall an Ihren Händler.
- Achten Sie bei der Montage darauf, dass die Teile korrekt aufeinander ausgerichtet sind.
- Bei diversen Verbindungen kommen selbstsichernde Schrauben, Muttern oder Schraubensicherungslack zum Einsatz. Wenn diese gelöst werden, müssen sie durch neue selbstsichernde Schrauben/Muttern ersetzt bzw. mit neuem Schraubensicherungslack gesichert werden.

### 4.2 Montage des Dusch- und Toilettenrollstuhles

Dieser Abschnitt beschreibt die Montage. Die Demontage erfolgt in umgekehrter Reihenfolge.

#### Befestigung des Sitzrahmenrohrs für die Höhenverstellung



1. Nehmen Sie die beiliegenden Clips ⑥ aus der Tüte.
2. Legen Sie den Sitzrahmen auf die Seite.



#### WICHTIG

- Schieben Sie das Seitenteil gerade in den Rahmen und verdrehen Sie es nicht.
- Befestigen Sie das Seitenteil vorne und hinten in der gleichen Höhe.

3. Schieben Sie das Seitenteil ① mit den Führungen für die Fußauflagen ④ nach vorn auf den Sitzrahmen ②.
4. Richten Sie die Clip-Befestigungen ⑤ vorne und hinten am Seitenteil auf ein Loch im Sitzrahmen ③ aus.
5. Setzen Sie die Clips ⑥ von außen so in das Seitenteil, dass die beiden Enden ⑦ das Sitzrahmenrohr ② umschließen.



#### WICHTIG

- Achten Sie darauf, dass das linke und rechte Seitenteil auf die gleiche Höhe eingestellt sind.

6. Drehen Sie den Sitzrahmen und wiederholen Sie den Vorgang für das zweite Seitenteil.
7. Setzen Sie den Sitzrahmen mit den montierten Seitenteilen auf die Räder.

### Sitzhöhe einstellen

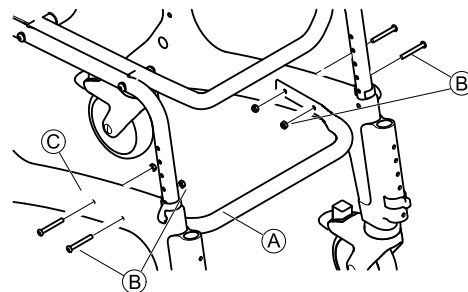


#### WARNUNG!

- Die Sitzhöhe muss auf den Benutzer eingestellt werden. Im Allgemeinen ist die Sitzhöhe richtig eingestellt, wenn der Benutzer mit beiden Füßen den Boden berührt, während er auf dem Toilettenrollstuhl sitzt.
- Die Sitzhöhe muss an beiden Seiten auf die gleiche Höhe eingestellt werden.
- Stellen Sie die Sitzhöhe nicht ein, während jemand auf dem Dusch- und Toilettenrollstuhl sitzt.

1. Heben Sie den Dusch- und Toilettenrollstuhl an einer Seite leicht am Sitzrahmen **(B)** an.
2. Entfernen Sie beide Clips **(F)** auf dieser Seite.
3. Ziehen Sie den Sitzrahmen aus dem Seitenteil **(A)** heraus bzw. schieben Sie ihn in das Seitenteil hinein, um die Sitzhöhe einzustellen.
4. Drücken Sie beide Clips wieder vollständig hinein.
5. Wiederholen Sie die Schritte 1 – 4 auf der anderen Seite.

### Befestigung des Basisstabilisierrohrs (nur Ocean XL)



1. Bringen Sie das Basisstabilisierrohr **(A)** mit den beiliegenden Schrauben und Muttern **(B)** zwischen den Seitenteilen **(C)** an.

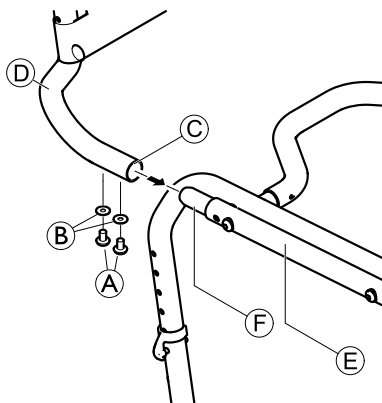
### Befestigung der Rückenlehne

1. Bewegen Sie alle vier Fußhebel für die Schwenkräder nach unten, um sie zu verriegeln.



#### WICHTIG!

- Achten Sie darauf, dass die Armlehnen beim Hochklappen nach vorne zeigen.



2.

Setzen Sie die Rückenlehne ④ von hinten in den Sitzrahmen ⑤, bis der Abschluss ③ der Rückenlehne das Sitzrahmenrohr ⑥ berührt.

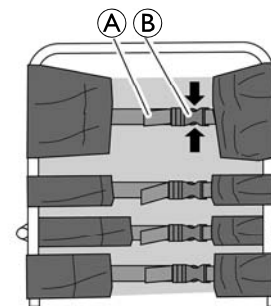
### ! WICHTIG!

- Ziehen Sie die Schrauben mit dem mitgelieferten Innensechskantschlüssel richtig fest.
- Kontrollieren Sie regelmäßig, ob die Schrauben fest angezogen sind.

3. Setzen Sie eine Unterlegscheibe ② auf jede Schraube ① und sichern Sie die Rückenlehne auf jeder Seite.
4. Ziehen Sie die Schrauben mit einem Drehmoment von 5 Nm fest.

### Anpassen des Rückenlehnensbezugs

Die Spannung der Rückenlehne lässt sich wunschgemäß einstellen.



### WARNUNG!

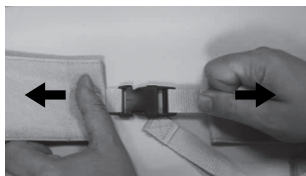
- Achten Sie darauf, dass stets mindestens zwei Gurte (von außen) um den Rückenlehnensrahmen geführt werden und dass deren Verschlüsse eingerastet sind.

Straffen:

1. Ziehen Sie die Gurte ① des Rückenlehnensbezugs straffer.

Lockern:

1. Öffnen Sie die Gurtschlösser ②, indem Sie die Haltetaschen zusammendrücken (Pfeile).
2. Schieben Sie die Gurte ein Stück durch das Gurtschloss zurück.
3. Schließen Sie die Gurtschlösser.
4. Ziehen Sie die Gurte vorsichtig wieder fest.



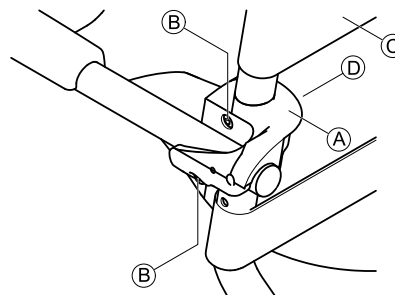
### WARNUNG!

#### Verletzungsgefahr durch beschädigte Rückenlehngurtschlösser!

Achten Sie bei jeder Überprüfung oder Wiederaufbereitung des Produkts auf den festen Sitz der Rückenlehngurtschlösser.

- Kontrollieren Sie alle Gurtschlösser auf festen Sitz, indem Sie die Schlösser schließen und an beiden Enden ziehen.
- Ersetzen Sie die Rückenlehne bzw. die Gurtschlösser, wenn sich ein Gurtschloss unter der angewandten Kraft öffnet.

### Einstellen der Armlehnenhöhe



### WICHTIG!


- Passen Sie die Armlehnenhöhe dem Benutzer entsprechend an.
- Ändern Sie die Armlehnenhöhe auf beiden Seiten gleichmäßig.
- Stellen Sie die Höhe der rechten und der linken Armlehne exakt gleich ein.

1. Öffnen Sie am Rückenlehnenbezug das Schloss des Gurtes, der den Rückenlehnenrahmen von innen passiert.
2. Öffnen Sie am Rückenlehnenbezug das Schloss des Gurtes ©, der oberhalb der Armlehne verläuft.
3. Führen Sie diesen Gurt über die Innenseite des Rückenlehnenrahmens, und schließen Sie das Schloss wieder.



Die Muttern sind lose in die Halteschelle eingeführt und können herausfallen.

4. Lösen Sie die Schrauben **B** der Armlehnenhalterung **A** mithilfe des mitgelieferten Innensechskantschlüssels.
5. Entfernen Sie die Fixierklammern **D** samt Muttern von der Innenseite des Rückenlehnenrahmens.
6. Entfernen Sie die Rückenlehnenhalterung **A** mit der Armlehne, und schieben Sie sie nach oben.

 Das kleinere Loch dient zum Fixieren der Halteschelle.

7. Setzen Sie die Schrauben in die Armlehnenhalterung ein, und schieben Sie sie durch die Löcher im Rückenlehnenrahmen.
8. Falls erforderlich, legen Sie die Muttern in die Halteschelle zurück.
9. Platzieren Sie die Halteschelle so am Rückenlehnenrahmen, dass die Fixierung an der Halteschelle in das kleinere Loch greift.
10. Ziehen Sie die Schrauben in den Muttern fest.
11. Führen Sie den noch offenen Gurt am Rückenlehnenbezug außerhalb des Rückenlehnenrahmens vorbei, schließen Sie alle Gurte, und ziehen Sie sie fest.

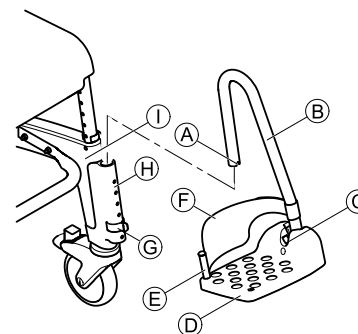


### WICHTIG!

Die Armlehnen werden auf dieselbe Weise tiefer gestellt.

- Beim Umstellen auf eine niedrigere Position muss der Gurt, der unterhalb der Armlehne liegt, geöffnet und innerhalb des Rückenlehnenrahmens geführt werden.

## Befestigung der Fußauflagen



1. Schieben Sie die Fußauflage **B** mit der Fußplatte **D** in die Führung **H** am vorderen Teil des Seitenteils **I**, bis der Stift am Clip **G** in die Kerbe **A** eingreift. Die Fußauflage lässt sich nun nicht mehr zur Seite drehen.



Der Montagevorgang ist für die rechte und für die linke Fußauflage identisch.

## Einstellen der Fußauflagenhöhe

1. Ziehen Sie die Fußauflage **B** leicht nach oben.
2. Ziehen Sie den Clip **G** heraus, und stecken Sie ihn an der gewünschten Position wieder hinein. Ziehen Sie die Fußauflage bei Bedarf ein Stück weiter heraus.
3. Schieben Sie die Fußauflage nach unten, bis der Stift am Clip in die Kerbe **A** greift.
4. Stellen Sie die andere Fußauflage wie beschrieben auf dieselbe Höhe ein.

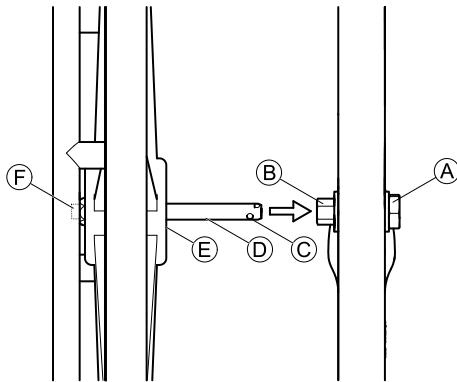
## Einstellen der Fußplattenneigung

**!** **WICHTIG!**

- Die Neigung der Fußplatten ist unbegrenzt stufenlos verstellbar.
- Achten Sie darauf, dass die rechte und die linke Fußplatte gleich eingestellt sind.

1. Lösen Sie mit einem 4-mm-Innensechskantschlüssel die Innensechskantschraube © an der Fußplatte.
2. Drehen Sie die Fußplatte ④ in die gewünschte Position.
3. Ziehen Sie die Innensechskantschraube wieder fest.

**Befestigen/Abnehmen der Räder mit Eigenantrieb (optional)**



**!** **WICHTIG!**

- Wenn die Räder mit Eigenantrieb montiert sind, müssen die Hinterräder gesperrt sein.
- Die Montage ist für das rechte und für das linke Rad mit Eigenantrieb identisch.
- Die Naben und die Feststellbremsen für die Räder mit Eigenantrieb müssen von einem qualifizierten Techniker montiert werden. Die Montage ist in den Montageanweisungen „Montage der Naben und Bremsen für „Aquatec® Ocean 24“-Räder“ beschrieben.

1. Richten Sie alle vier Schwenkräder in Fahrtrichtung aus.
2. Sperren Sie alle Schwenkräder.
3. Drücken Sie die Achse ④ am Rad mit Eigenantrieb nach innen. (Die Greifringe zeigen nach außen.)
4. Halten Sie den Knopf ⑥ an der Außenseite der Achse gedrückt. Dabei werden die Sperrkugeln © am Ende der Achse entsperrt.
5. Heben Sie den Dusch- und Toilettenrollstuhl ein wenig an.
6. Führen Sie die Achse in die Nabe ② ein und schieben Sie das Rad mit Eigenantrieb bis zum Anschlag ⑤ auf die Achse.
7. Lassen Sie den Knopf ⑥ wieder los.
8. Drücken Sie die Sperrkugeln nach außen, sodass sie sich hinter der Sechskantmutter ① befinden.

Zum Abnehmen der Räder in der umgekehrten Reihenfolge vorgehen.



### 4.3 Zubehör (optional)

**WARNUNG!****Verletzungsgefahr**

- Die Montage von Zubehör (optional) muss gemäß den entsprechenden Anweisungen erfolgen.

## 5 Verwenden

### 5.1 Sicherheitsinformationen



#### **WARNUNG!**

- Verwenden Sie den Dusch- und Toilettenrollstuhl nur auf ebenen Flächen in Innenräumen.
- Beachten Sie die Angaben auf dem Typenschild. Der Dusch- und Toilettenrollstuhl darf nicht überladen werden.
- Beladen Sie den Dusch- und Toilettenrollstuhl nicht mit zu hohem Gewicht.
- Führen Sie vor jedem Einsatz des Produkts eine Sichtkontrolle auf äußere Schäden durch.



#### **WARNUNG!**

##### **Rutsch- und Rollgefahr**

- Stellen Sie vor der Verwendung sicher, dass der Sitz fest am Sitzrahmen befestigt ist.
- Verriegeln Sie vor dem Hinsetzen oder Aufstehen aus dem Dusch- und Toilettenrollstuhl sowie in der Parkposition alle Schwenkräder mit Hebeln mithilfe der Fußhebel.
- Aktivieren Sie die Feststellbremse, wenn die Räder mit Eigenantrieb (optional) montiert sind.



#### **WARNUNG!**

##### **Kippgefahr**

- Drehen Sie vor dem Hinsetzen oder Aufstehen die Fußauflagen zur Seite, oder klappen Sie die Fußplatten nach oben.
- Drehen Sie vor dem Hinsetzen oder Aufstehen die vorderen Schwenkräder so, dass die Sperrvorrichtung nach vorne weist.
- Stellen Sie sich niemals auf die Fußauflagen.
- Lehnen Sie sich niemals übermäßig nach vorn.



#### **WARNUNG!**

##### **Kippgefahr nach vorn**

- Ein vorderer Kippschutz (Art. Nr. 1535936) ist erhältlich, um ein Kippen des Dusch- und Toilettenrollstuhls nach vorne zu verhindern.



#### **WARNUNG!**

##### **Kippgefahr**

- Der Dusch- und Toilettenrollstuhl darf ausschließlich mit der Schiebestange oder den Selbstfahrrädern (optional) bewegt werden.

**VORSICHT!****Verbrennungsgefahr für die Haut**

Die Bauteile des Produkts können sich aufheizen, wenn sie externen Wärmequellen ausgesetzt werden.

- Das Produkt vor Gebrauch keiner starken Sonneneinstrahlung aussetzen.
- Das Produkt vor Gebrauch auf Zimmertemperatur erwärmen lassen.

**VORSICHT!****Einklemmgefahr**

- Bei Verwendung der Räder mit Eigenantrieb (optional) die Finger nicht zwischen die Speichen oder die Räder mit Eigenantrieb und den Sitzrahmen stecken, wenn der Sitz in Bewegung ist.

**WICHTIG!****Gefahr einer Beschädigung des Produkts**

- Den Dusch- und Toilettenrollstuhl nicht an den Fußauflagen anheben.

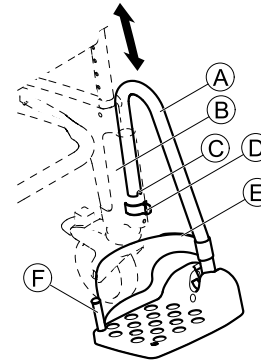
## 5.2 Verwendung des Dusch- und Toilettenrollstuhles

### Drehen der Armlehnen

**VORSICHT!****Gefahr des Einklemmens der Finger im Faltmechanismus**

- Finger beim Hoch- oder Herunterklappen der Armlehnen nicht in das Drehgelenk kommen lassen.
- Finger beim Zurückklappen der Armlehnen nicht zwischen Arm- und Rückenlehne kommen lassen.
- Darauf achten, dass keine Teile eingeklemmt werden.

### Drehen der Fußauflagen



### Position beim Einsteigen/Verlassen des Sitzes:

1. Ziehen Sie die Fußauflage **Ⓐ** in der Führung **Ⓑ** ein Stück nach oben, bis der Stift des Clips **Ⓒ** nicht mehr in die Kerbe des Clips **Ⓓ** greift.
2. Drehen Sie die Fußauflage zur Seite.

#### Fahrposition:



#### **VORSICHT!**

#### **Unfallgefahr bei nicht fixierter Fußauflage**

– Fußauflagen in der Fahrposition fixieren.

1. Drehen Sie die Fußauflage **Ⓐ** nach innen.
2. Schieben Sie die Fußauflage nach unten, bis der Stift am Clip **Ⓒ** in der Kerbe des Clips **Ⓓ** einrastet.

#### Lösen/Befestigen des Fersenbands

1. Öffnen Sie das Klettband **Ⓔ** am Fersenband.
2. Lösen Sie die Schraube **Ⓕ** an der Unterseite der Fußplatte.
3. Lösen Sie das Fersenband von dem flexiblen Kunststoffstift.



Zum Befestigen des Bands in der umgekehrten Reihenfolge vorgehen.



#### **WICHTIG!**

– Achten Sie beim Montieren darauf, dass das Klettband am Fersenband nach hinten weist.

#### Abnehmen/Anbringen der Sitzplatte

##### Abnehmen:

1. Ziehen Sie die Sitzplatte an beiden Seiten nach oben.

##### Anbringen:



#### **VORSICHT!**

#### **Einklemmgefahr für die Finger**

– Finger beim Andrücken der Sitzplatte nicht zwischen Sitzfläche und Sitzrahmen kommen lassen.

1. Setzen Sie die Sitzplatte mit dem Einschnitt nach vorne auf den Sitzrahmen.
2. Drücken Sie die Sitzplatte so weit wie möglich nach hinten.
3. Drücken Sie die Sitzplatte mit der flachen Hand zunächst an den Seiten, dann vorne und hinten nach unten, bis die Platte im Sitzrahmen einschnappt.

## 6 Transport

### 6.1 Sicherheitsinformationen



Das Produkt kann für den Transport in die Einzelteile aus dem Lieferumfang zerlegt werden, siehe Kapitel 3.1 *Übersicht*, Seite 33.

1. Zum Zerlegen des Produkts in umgekehrter Montagereihenfolge vorgehen, siehe Kapitel 4.2 *Montage des Dusch- und Toilettenrollstuhles*, Seite 35.



#### **WICHTIG!**

##### **Gefahr einer Beschädigung des Produkts**

- Das Produkt beim Transport vor Feuchtigkeit schützen.
- Das Produkt keiner direkten Sonneneinstrahlung aussetzen.
- Die in Abschnitt 10.3 *Umgebungsbedingungen*, Seite 51 aufgeführten Transport- und Lagerbedingungen beachten.



#### **WICHTIG!**

- Bei diversen Verbindungen kommen selbstsichernde Schrauben, Muttern oder Schraubensicherungslack zum Einsatz. Wenn diese gelöst werden, müssen sie durch neue selbstsichernde Schrauben/Muttern ersetzt bzw. mit neuem Schraubensicherungslack gesichert werden.

## 7 Instandhaltung

### 7.1 Wartung und Inspektion

Bei Einhaltung der vorgegebenen Reinigungs- und Sicherheitshinweise ist dieses Produkt wartungsfrei.

- Überprüfen Sie das Produkt und Zubehör regelmäßig auf Schäden, und vergewissern Sie sich, dass beides ordnungsgemäß zusammgebaut ist.
- Wenn Sie eine Beschädigung feststellen und/oder möglicherweise Reparaturbedarf besteht, wenden Sie sich umgehend an Ihren Händler.

### 7.2 Reinigung und Desinfektion

Das Produkt kann mithilfe von handelsüblichen Mitteln gereinigt und desinfiziert werden.



#### **WICHTIG!**

Im Bereich des Badezimmers und der Toilette ist die Beachtung der Hygiene besonders wichtig.  
– Halten Sie das Produkt stets sauber und wischen Sie es regelmäßig ab.

1. Desinfizieren Sie das Produkt, indem Sie alle direkt zugänglichen Oberflächen mit einem Desinfektionsmittel abwischen (das Produkt vor dem Desinfizieren möglichst in seine Einzelteile zerlegen).



#### **WICHTIG!**

Alle verwendeten Reinigungs- und Desinfektionsmittel müssen wirksam und miteinander verträglich sein und das Material schützen, das mit ihnen gereinigt wird. Weitere Informationen zur Dekontamination in medizinischen Umgebungen finden Sie in den „Empfehlungen der Kommission für Krankenhaushygiene und Infektionsprävention“ auf der Internetseite des Robert Koch-Instituts: [www.rki.de](http://www.rki.de).  
– Von Hand oder im Autoklav reinigen.  
– Keine Scheuermittel verwenden.

### Reinigung in häuslicher Umgebung



#### **WICHTIG!**

Gefahr einer Beschädigung des Produkts  
– Demontieren Sie die Halterungen für das Zubehör nicht.

1. Entfernen Sie befestigtes Zubehör.
2. Ziehen Sie die Fußauflagen aus den Führungen.
3. Nehmen Sie die Sitzplatte und den Rückenlehnenbezug ab.
4. Entfernen Sie die Seitenteile.
5. Setzen Sie die Clips sofort wieder in den Sitzrahmen ein, damit sie nicht verloren gehen.
6. Wischen Sie die Einzelteile mit einem Tuch oder einer Bürste ab und verwenden Sie dabei handelsübliche Reinigungs- und Desinfektionsmittel.
7. Spülen Sie die Teile mit warmem Wasser ab.

8. Trocknen Sie die Teile mit einem Tuch.
9. Bauen Sie das Produkt wie in Kapitel 4 „Einrichtung“ beschrieben wieder zusammen.

### Reinigung in klinischer Umgebung



Reinigen Sie zusätzlich zu der oben beschriebenen Reinigung das Produkt nach der Entlassung eines Patienten, der Anwendungsperiode oder mindestens einmal im Monat (je nachdem, was früher eintritt) für drei Minuten bei 85 °C im Autoklav.



#### **VORSICHT!**

#### **Verbrennungsgefahr für die Haut**

- Lassen Sie das Produkt nach dem Reinigen im Autoklav abkühlen.

### Reinigung des Rückenlehnenbezugs (optional)

1. Nehmen Sie den Rückenlehnenbezug ab.
2. Waschen Sie den Rückenlehnenbezug bei max. 60 °C mit einem milden Waschmittel in der Waschmaschine.



#### **WICHTIG!**

#### **Gefahr von Beschädigungen**

- Waschen bei höheren Temperaturen kann Einlaufen der Bezüge zur Folge haben.
- Bezüge nicht im Wäschetrockner trocknen.



#### **WICHTIG!**

- Übermäßige Reinigung kann Textilien schädigen.
- Aus hygienischen Gründen empfehlen wir, den Rückenlehnenbezug alle zwei Jahre zu erneuern.

### Reinigen des Toilettentopfs (optional)

Der Toilettentopf kann im Autoklav gereinigt werden. Hierfür kommen die folgenden Reinigungszyklen (Temperatur/Dauer) in Betracht:

- 90 °C für 1 Minute
- 85 °C für 3 Minuten
- 80 °C für 10 Minuten

### 7.3 Auswechseln der Schwenkräder



#### **WARNUNG!**

#### **Unfallrisiko bei nicht ordnungsgemäß montierten Schwenkrädern.**

- Die Schwenkräder müssen von einem Fachhändler ersetzt werden.

---

## 8 Nach dem Gebrauch

---

### 8.1 Lagerung



#### **WICHTIG!**

#### **Gefahr einer Beschädigung des Produkts**

- Das Produkt an einem trockenen Ort lagern.
- Das Produkt nicht in der Nähe von Wärmequellen lagern.
- Das Produkt keiner direkten Sonneneinstrahlung aussetzen.
- Die in Abschnitt *10.3 Umgebungsbedingungen, Seite 51* aufgeführten Transport- und Lagerbedingungen beachten.

### 8.2 Wiedereinsatz

Das Produkt ist für den wiederholten Gebrauch geeignet. Wie oft das Produkt eingesetzt werden kann, hängt von der Art der Verwendung ab. Reinigen und desinfizieren Sie das Produkt vor dem Wiedereinsatz gründlich (→ *7.2 Reinigung und Desinfektion, Seite 46*) und überprüfen Sie die Sicherheitsfunktionen. Stellen Sie diese bei Bedarf neu ein.

### 8.3 Entsorgung

Entsorgung und Recycling benutzter Produkte und Verpackungen müssen gemäß geltenden Vorschriften erfolgen.

Wenden Sie sich für Einzelheiten zur ordnungsgemäßen und vollständigen Entsorgung bitte an den Hersteller.



## 9 Problembehandlung

### 9.1 Erkennen und Beheben von Mängeln

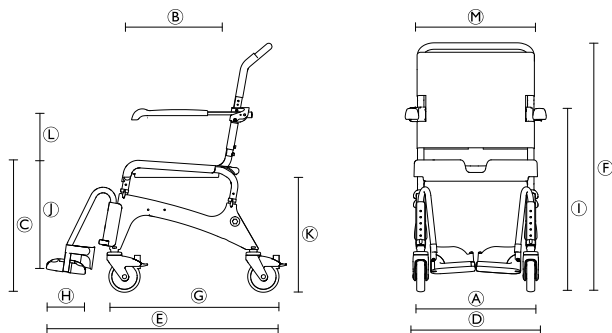


In der folgenden Tabelle finden Sie Informationen zu Mängeln und ihren möglichen Ursachen. Sollte sich der Mangel mit der genannten Abhilfemaßnahme nicht beseitigen lassen, wenden Sie sich bitte direkt an Ihren Fachhändler.

Mangel	Mögliche Ursache	Lösung
Schwierigkeiten beim Einstellen der Sitzhöhe	Schmutz zwischen Sitzrahmen und Seitenteil	Das Produkt in die Teile aus dem Lieferumfang zerlegen und gründlich reinigen.
Die Schwenkräder lassen sich schwer oder gar nicht drehen	Schmutz zwischen Gabel und Felge	Die Schwenkräder gründlich reinigen.
Die Fußauflagen lassen sich nur schwer zur Seite drehen	Ablagerungen in den Führungen	Die Fußauflagen und Führungen gründlich reinigen
Feststellbremse der Räder mit Eigenantrieb (optional) greift nicht	Feststellbremse falsch eingestellt	Die Feststellbremse muss von einem qualifizierten Techniker eingestellt werden.

## 10 Technische Daten

### 10.1 Abmessungen und Gewicht



(A)	Sitzbreite	480 mm
(B)	Sitztiefe	450 mm
(C)	Sitzhöhe	475–600 mm
(D)	Gesamtbreite (Ocean) Gesamtbreite (Ocean XL) Gesamtbreite mit Rädern	560 mm 640 mm 675 mm
(E)	Gesamttiefe Gesamttiefe mit Rädern	900 mm 1060 mm
(F)	Gesamthöhe	964–1094 mm
(G)	Tiefe ohne Fußauflagen	700 mm
(H)	Tiefe der Fußplatte	160 mm
(I)	Höhe der Armlehnen	680–850 mm

(J)	Höhe von Fußauflage zum Sitz	255–495 mm
(K)	Mindestabstand zwischen Boden und Halterung für den Toilettentopf	ca. 408 mm
	Mindestbreite zwischen den Seitenteilen	ca. 381 mm
	Produktgewicht	ca. 15 kg
	Produktgewicht mit Rädern mit Eigenantrieb	ca. 19,5 kg
	Maximales Benutzergewicht (Ocean)	150 kg
	Maximales Benutzergewicht (Ocean XL)	180 kg

### 10.2 Materialien

Rahmen	Edelstahl, pulverbeschichtet
Sitzplatte	Polypropylen
Rückenlehnenbezug	Nylon, PVC-beschichtet
Fußauflagen / Seitenteile	Polypropylen, glasfaserverstärkt
Armlehnenpolster	Polypropylen
Schwenkräder	Kunststoff und Edelstahl
Lauffläche der 24"-Räder	PUR

Alle Komponenten des Produkts sind korrosionsbeständig und enthalten kein Naturkautschuklatex.

### 10.3 Umgebungsbedingungen

<b>Betriebsbedingungen</b>	
Umgebungstemperatur	10 – 65 °C
Relative Luftfeuchtigkeit	15 % – 93 %, nicht kondensierend
Luftdruck	795 bis 1060 hPa
<b>Transport- und Lagerungsbedingungen</b>	
Umgebungstemperatur	0 – 40 °C
Relative Luftfeuchtigkeit	30 % – 75 %, nicht kondensierend
Luftdruck	795 bis 1060 hPa



---

# Sommaire

---

Ce manuel DOIT être remis à l'utilisateur du produit. Lire ce manuel AVANT d'utiliser ce produit, et le conserver en cas de besoin.

<b>1 Généralités</b>	<b>54</b>
1.1 Généralités	54
1.2 Symboles figurant dans le présent manuel d'utilisation	54
1.3 Garantie	55
1.4 Conformité	55
1.5 Utilisation prévue	55
1.6 Durée de vie	55
<b>2 Sécurité</b>	<b>57</b>
2.1 Informations de sécurité	57
2.2 Étiquettes et symboles figurant sur le produit	57
<b>3 Composants et fonction</b>	<b>59</b>
3.1 Présentation	59
<b>4 Réglages (Mise en service)</b>	<b>61</b>
4.1 Informations de sécurité	61
4.2 Assemblage de la chaise roulante pour douche/toilettes	61
4.3 Accessoires (en option)	66
<b>5 Utilisation</b>	<b>67</b>
5.1 Informations de sécurité	67
5.2 Utilisation de la chaise roulante pour douche/toilettes	68
<b>6 Transport</b>	<b>70</b>
6.1 Informations de sécurité	70
<b>7 Maintenance</b>	<b>71</b>
7.1 Maintenance et inspection	71
7.2 Nettoyage et désinfection	71
7.3 Remplacement des roulettes	72

<b>8 Après l'utilisation</b>	<b>73</b>
8.1 Stockage	73
8.2 Réutilisation	73
8.3 Élimination	73
<b>9 Dépannage</b>	<b>74</b>
9.1 Identification et résolution des pannes	74
<b>10 Caractéristiques Techniques</b>	<b>75</b>
10.1 Dimensions et poids	75
10.2 Matériaux	75
10.3 Paramètres environnementaux	76

# 1 Généralités

## 1.1 Généralités

Le présent manuel d'utilisation contient des informations importantes sur l'utilisation du produit. Pour garantir une utilisation en toute sécurité du produit, lisez attentivement le manuel d'utilisation et respectez les informations de sécurité.

Si vous avez des problèmes de vue, vous pouvez consulter le manuel d'utilisation sous forme de fichier PDF sur le site internet et l'agrandir à l'écran selon vos besoins. Si vous ne pouvez pas agrandir suffisamment le texte et les images, veuillez contacter le distributeur Invacare® de votre pays. Les adresses sont indiquées au dos du présent manuel. Le cas échéant, nous vous fournirons un fichier PDF haute résolution du manuel d'utilisation.

## 1.2 Symboles figurant dans le présent manuel d'utilisation

Dans le présent manuel d'utilisation, les avertissements sont repérés par des symboles. Le titre à côté du symbole d'avertissement indique la gravité du danger.



### AVERTISSEMENT

Indique une situation dangereuse qui pourrait provoquer des blessures graves, voire la mort si elle n'est pas évitée.



### ATTENTION

Indique une situation dangereuse qui pourrait provoquer de légères blessures si elle n'est pas évitée.



### IMPORTANT

Indique une situation dangereuse qui pourrait provoquer des dommages si elle n'est pas évitée.



Conseils, recommandations et informations utiles pour une utilisation efficace et sans souci.



Ce produit est conforme à la directive 93/42/CEE sur les dispositifs médicaux. La date de lancement de ce produit est indiquée dans la déclaration de conformité CE.



Fabricant

### 1.3 Garantie

Nous fournissons une garantie fabricant pour le produit, conformément à nos conditions générales de vente en vigueur dans les différents pays. Les réclamations au titre de la garantie ne peuvent être adressées qu'au fournisseur auprès duquel l'appareil a été obtenu.

### 1.4 Conformité

La qualité revêt une importance capitale pour notre société ; tous les procédés sont basés sur la norme ISO 13485.

Le présent produit porte le marquage CE, en conformité avec la Directive relative aux dispositifs médicaux 93/42/CEE Classe 1.

Invacare s'efforce sans relâche de réduire au minimum l'impact de l'entreprise sur l'environnement, à l'échelle locale et à l'échelle mondiale.

- Nous n'utilisons que des matériaux et composants conformes au règlement REACH.

Pour obtenir de plus amples informations, veuillez contacter Invacare dans votre pays (adresses figurant à la fin du présent document).

### 1.5 Utilisation prévue

La chaise roulante pour douche/toilettes est uniquement conçue comme un dispositif d'assistance pour la douche ou le bain, et doit être utilisée pour l'hygiène personnelle (par ex. devant la cuvette) ou pour transférer des patients à l'intérieur. Elle n'est pas conçue pour être utilisée par un patient adulte, avec ou sans l'aide d'un soignant, ayant :

- des difficultés à rester debout ou à garder l'équilibre

- des faiblesses dans les jambes ou une incapacité des membres inférieurs
- un état de santé altérant leur équilibre

Le produit est conçu pour être utilisé en institution ou au domicile du patient. Toute autre utilisation est interdite.



#### **AVERTISSEMENT !**

##### **Risque de blessure**

- N'utilisez jamais ce produit comme aide pour rentrer dans la baignoire ou en sortir, pour monter ou descendre, comme support ou tout autre usage semblable.
- N'utilisez par ce produit à l'extérieur.

En tant que chaise toilettes, vous pouvez l'utiliser sur un WC normal ou indépendamment avec le pot de la chaise toilettes (en option).

La chaise roulante pour douche/toilettes peut être employée dans un bassin si l'eau n'est pas salée et si une tierce-personne est présente à tout moment.

Température d'utilisation : 10 °C - 65 °C

### 1.6 Durée de vie

La durée de vie de ces produits est de cinq ans lorsqu'ils sont utilisés dans le strict respect de l'utilisation conforme stipulée dans le présent document ainsi que des instructions d'entretien et de maintenance. La durée de vie peut être supérieure si le produit est entretenu avec soin et à condition que les progrès techniques et scientifiques n'entraînent pas de restrictions techniques. La durée de vie peut aussi être considérablement écourtée par une

utilisation extrême ou inadaptée. La durée de vie estimée ne constitue pas une garantie supplémentaire sur ces produits.



## 2 Sécurité

### 2.1 Informations de sécurité



#### AVERTISSEMENT !

- N'utilisez pas ce produit ni tout autre équipement disponible en option sans avoir lu et compris entièrement les présentes instructions et toute autre documentation d'instructions supplémentaire, telle que les manuels d'utilisation, les manuels d'entretien ou fiches d'instructions fournis avec ce produit ou l'équipement en option. Les manuels des produits Invacare sont disponibles sur Internet ou auprès de votre revendeur local (les adresses sont indiquées au dos du présent manuel).
- Si vous ne comprenez pas les avertissements, mises en garde ou instructions, veuillez contacter un professionnel des soins de santé, un revendeur ou un technicien avant d'essayer d'utiliser cet équipement, sous peine de dommages ou de blessures.



#### AVERTISSEMENT !

#### Risque de blessure

- Ne vous mettez pas debout sur le produit.
- Ne l'utilisez pas comme escabeau.
- Ne l'utilisez en extérieur.



#### AVERTISSEMENT !

#### Risque de blessure

- N'utilisez pas le produit s'il est défectueux.
- En cas de dysfonctionnement, contactez immédiatement votre revendeur.
- Ne pas procéder à aucune modification non autorisée et ne pas transformer le produit.
- Utilisez uniquement les accessoires conçus pour ce produit



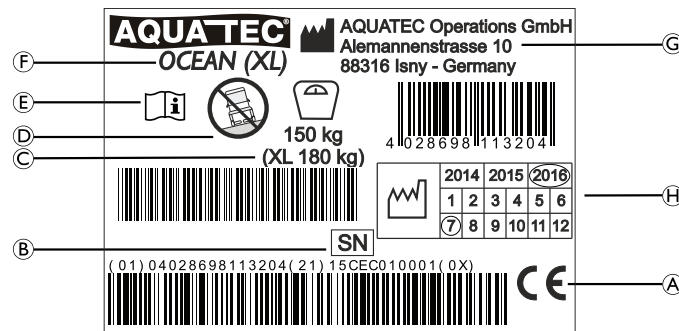
#### IMPORTANT !

Les informations contenues dans ce document peuvent être modifiées sans préavis.

## 2.2 Étiquettes et symboles figurant sur le produit

### Autocollant d'identification

L'autocollant d'identification fournit des informations importantes :



Ⓐ	Marque de conformité
Ⓑ	Numéro de série
Ⓒ	Poids maximal de l'utilisateur
Ⓓ	Remarque (utilisation uniquement sur des surfaces planes)
Ⓔ	Consultez le manuel d'utilisation
Ⓕ	Désignation du produit
Ⓖ	Adresse du fabricant
Ⓗ	Date de fabrication

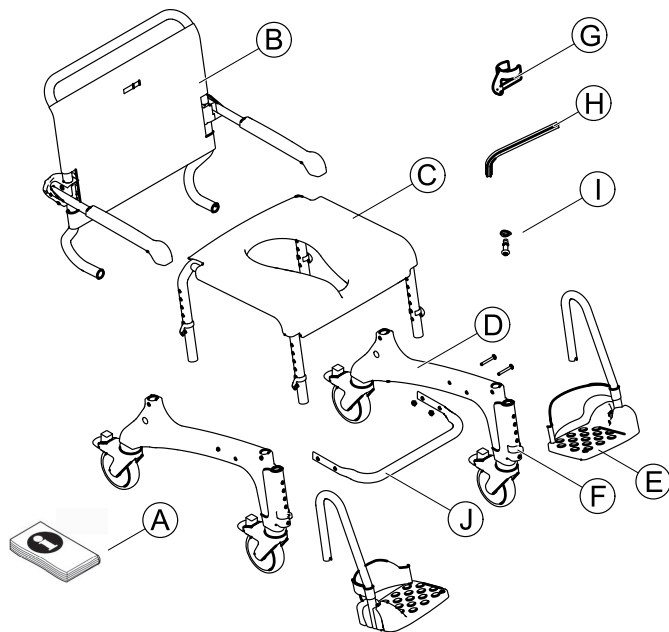


L'autocollant d'identification est fixé à l'intérieur de la section latérale droite.

## 3 Composants et fonction

### 3.1 Présentation

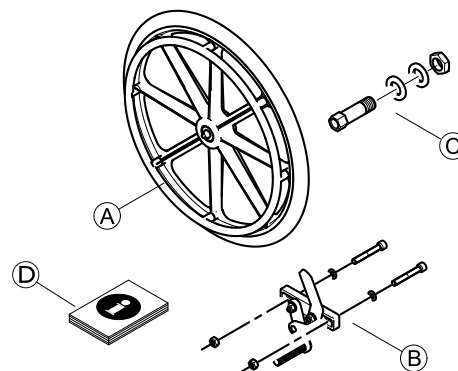
Les composants suivants sont fournis à la livraison :



(A)	Manuel d'utilisation
(B)	Dossier avec toile de dossier, et accoudoirs
(C)	Armature du siège avec plaque d'assise

(D)	Pièces latérales avec roues (x2)
(E)	Repose-pieds avec sangle talonnière (x2)
(F)	Clips (x2) de repose-pied (inséré)
(G)	Clips (x4) de l'armature du siège
(H)	Clé Allen AF 4
(I)	Vis (x4) et rondelles (x4)
(J)	Tube de stabilisation de la base avec vis (x4) et écrous (x4) - Ocean XL uniquement

Les pièces suivantes sont incluses lors de la livraison des roues pour déplacement manuel avec frein de stationnement :



Ⓐ	Roues pour déplacement manuel (x2)
Ⓑ	Freins de stationnement (x2)
Ⓒ	Moyeux avec axes (x2)



Notez la modification des dimensions lors de l'installation des roues pour déplacement manuel. Pour plus de détails à ce sujet, consultez le chapitre Caractéristiques techniques.

## 4 Réglages (Mise en service)

### 4.1 Informations de sécurité



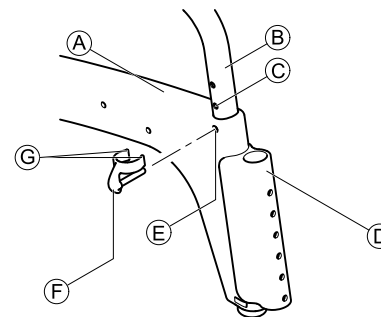
#### AVERTISSEMENT !

- Vérifiez les pièces afin de vous assurer de l'absence de dommages causés pendant le transport avant toute mise en service. Le cas échéant, contactez votre revendeur.
- Lors du montage, assurez-vous que les pièces sont correctement positionnées les unes par rapport aux autres.
- Des vis et écrous autobloquants ou un adhésif frein-filet sont utilisés pour plusieurs vissages. S'ils sont desserrés, ils doivent être remplacés par de nouveaux écrous ou vis autobloquants ou être refixés avec un nouvel adhésif frein-filet.

### 4.2 Assemblage de la chaise roulante pour douche/toilettes

Cette section aborde le montage. Procédez en sens inverse pour le démontage.

#### Fixation du tube de l'armature du siège pour le réglage de la hauteur



1. Retirez les clips fournis ⑥ de la pochette F.
2. Placez l'armature du siège sur son côté.

#### ! IMPORTANT

- Appliquez une pression uniforme pour pousser la pièce latérale sur le châssis sans les tordre.
- Fixez la pièce latérale à la même hauteur à l'avant et à l'arrière.

3. Poussez la pièce latérale ① avec les guides pour les repose-pieds ④ vers l'avant sur l'armature du siège ②.
4. Alignez les pièces de fixation ⑤ situées à l'avant et à l'arrière de la pièce latérale sur le trou de l'armature du siège ③.
5. Insérez les clips ⑥ de l'extérieur dans la pièce latérale, jusqu'à ce que les deux extrémités entourent ③ le tube de l'armature du siège ②.

#### ! IMPORTANT

- Assurez-vous que les pièces latérales droite et gauche sont fixées à la même hauteur.

6. Tournez l'armature du siège et répétez la procédure de l'autre côté.
7. Placez l'armature du siège avec ses pièces latérales sur les roues.

### Réglage de la hauteur d'assise

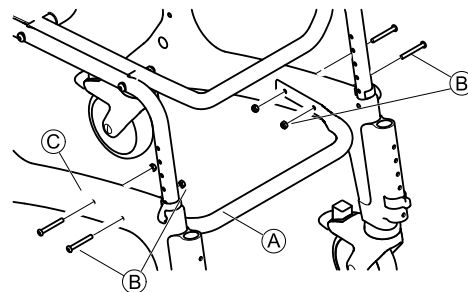


#### AVERTISSEMENT !

- Réglez impérativement la hauteur d'assise en fonction de l'utilisateur. En règle générale, la hauteur d'assise est réglée correctement lorsque l'utilisateur est assis sur la chaise toilettes et que ses deux pieds touchent le sol.
- La hauteur d'assise doit être réglée à la même hauteur des deux côtés.
- Ne réglez pas la hauteur d'assise si une personne est assise sur la chaise roulante pour douche/toilettes.

1. Soulevez légèrement la chaise roulante pour douche/toilettes d'un côté par l'armature du siège ⑥.
2. Retirez les deux clips ⑦ de ce côté.
3. Tirez sur l'armature du siège pour le dégager de la pièce latérale ④ ou poussez-le dans la pièce latérale pour régler la hauteur d'assise.
4. Repoussez complètement les deux clips.
5. Répétez les étapes 1 à 4 de l'autre côté.

### Fixation du tube de stabilisation (Ocean XL uniquement)



1. Fixez le tube de stabilisation ④, à l'aide des vis et des écrous ⑤ fournis, entre les pièces latérales ⑥.

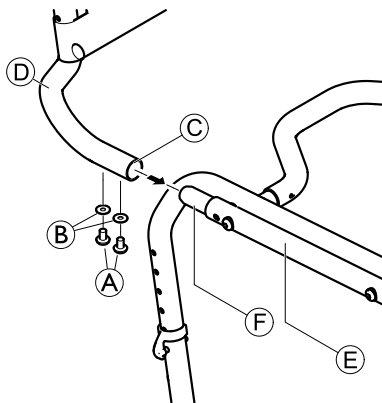
### Installation du dossier

1. Enfoncez les quatre leviers au pied des roulettes pour bloquer celles-ci.



#### IMPORTANT !

- Veillez à ce que les accoudoirs soient orientés vers l'avant quand ils sont relevés.



2.

Insérez le dossier ① par l'arrière dans l'armature du siège ②, jusqu'à ce que la bride ③ bute contre le tube de l'armature du siège ④.

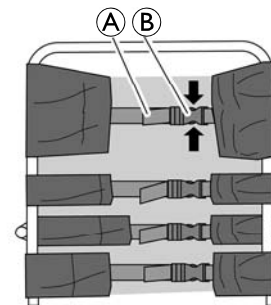
### ! IMPORTANT !

- Serrez fermement les vis au moyen de la clé Allen fournie.
- Vérifiez régulièrement les vis afin de vous assurer qu'elles sont posées correctement.

3. Placez une rondelle ⑤ sur chaque vis ⑥ et fixez le dossier de chaque côté.
4. Serrez les vis à un couple de 5 Nm.

### Réglage de la tension de la toile de dossier

La tension du dossier peut être réglée selon les besoins.



### AVERTISSEMENT !

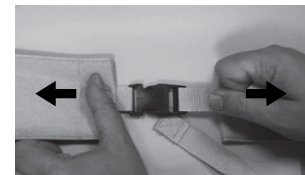
– Veillez à ce qu'au moins deux sangles soient toujours passées à travers le cadre de dossier (à l'extérieur) et à ce que les verrouillages des sangles soient fermés.

Serrage :

1. Resserrez les sangles ① de la toile de dossier.

Desserrage :

1. Ouvrez les boucles ② en comprimant les languettes de fixation (flèches).
2. Allongez légèrement les sangles dans les boucles.
3. Fermez les boucles des sangles.
4. Resserrez délicatement les sangles.





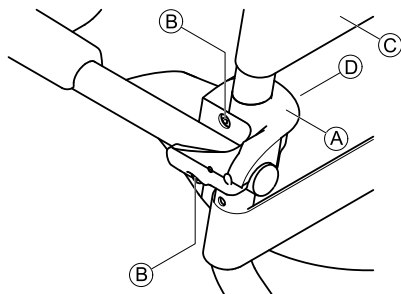
### AVERTISSEMENT !

#### Risque de blessure due à des boucles de sangles endommagées sur le dossier !

Vérifiez que les boucles de sangles de dossier sont solidement fixées à chaque maintenance ou reconditionnement du produit.

- Vérifiez la fixation solide de tous les clips en fermant les boucles et en tirant sur leurs extrémités.
- Remplacez le dossier/les boucles de sangles du dossier si une boucle s'ouvre sous l'effet de la force exercée.

### Réglage de la hauteur des accoudoirs



### IMPORTANT !

- Réglez la hauteur des accoudoirs en fonction de l'utilisateur.
- Changez la hauteur des accoudoirs uniformément des deux côtés.
- Réglez la hauteur de l'accoudoir gauche et droit exactement de la même manière.

1. Sur la toile de dossier, ouvrez la boucle de la sangle qui passe à l'intérieur du cadre du dossier.
2. Toujours sur la toile de dossier, ouvrez la boucle de la sangle © qui passe au-dessus de l'accoudoir.
3. Faites passer cette sangle à l'intérieur du cadre du dossier et refermez-la.



Les écrous sont insérés dans la fixation sans être serrés et peuvent donc tomber.

4. Dévissez les vis © du support d'accoudoir © à l'aide de la clé Allen fournie.
5. Retirez la fixation © avec les écrous de l'intérieur du cadre du dossier.
6. Retirez la bride du dossier © avec l'accoudoir et déplacez-la vers le haut.



Le trou plus petit sert à maintenir la fixation.

7. Insérez les vis dans le support d'accoudoir et guidez-les à travers les orifices du cadre du dossier.
8. Si nécessaire, remettez les écrous dans la fixation.
9. Placez la fixation sur le cadre du dossier de manière à ce que son attache s'enclenche dans le petit trou.

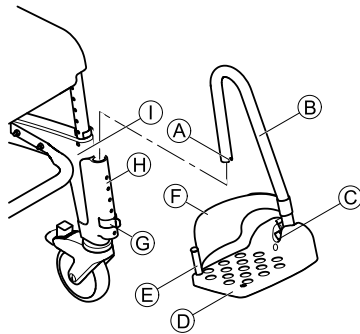


10. Vissez les vis dans les écrous et serrez-les.
11. Faites passer la sangle de la toile de dossier toujours ouverte à l'extérieur du cadre du dossier, fermez et serrez toutes les sangles.

### ! IMPORTANT !

- Les accoudoirs s'abaissent selon la même procédure.
  - Lorsque vous effectuez le réglage à la position inférieure, la sangle située sous l'accoudoir doit être ouverte et passée à l'intérieur du cadre du dossier.

### Réglage des repose-pieds



1. Poussez le repose-pied ⑥ avec la palette repose-pied ④ dans le guide ⑧ à l'avant de la pièce latérale ① jusqu'à ce que la rainure ⑨ s'engage dans la broche du clip ③. Le repose-pied ne peut plus être tourné sur le côté.



La procédure de montage est identique pour les repose-pieds droit et gauche.

### Réglage de la hauteur des repose-pieds

1. Relevez légèrement le repose-pied ⑥.
2. Retirez le clip ③ et placez-le dans la position souhaitée. Ressortez légèrement le repose-pied si nécessaire.
3. Enfoncez le repose-pied jusqu'à ce que la rainure ⑨ s'engage dans la broche du clip.
4. Réglez l'autre repose-pied à la même hauteur, comme décrit.

### Réglage de l'inclinaison des palettes repose-pied

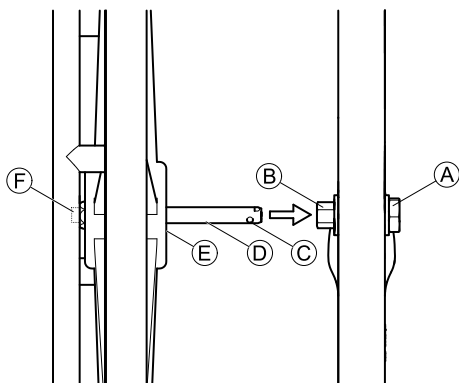


#### ! IMPORTANT !

- L'inclinaison des palettes repose-pied peut être réglée de façon variable et progressivement.
  - Veillez à régler la palette repose-pieds droite et gauche de la même manière.

1. Desserrez la vis Allen ③ de la palette repose-pieds à l'aide d'une clé Allen de 4.
2. Tournez la palette repose-pieds ④ à la position voulue.
3. Resserrez la vis Allen.

## Montage/Démontage des roues pour déplacement manuel (en option)



3. Poussez l'axe ④ de la roue pour déplacement manuel vers l'intérieur. (La main courante est dirigée vers l'extérieur.)
4. Maintenez le bouton ⑥ situé à l'extérieur de l'axe enfoncé. Ceci relâche les billes de retenue ③ à l'extrémité de l'axe.
5. Soulevez légèrement la chaise roulante pour douche/toilettes
6. Insérez l'axe dans le moyeu ② et poussez la roue pour déplacement manuel sur l'axe jusqu'à la butée d'extrémité ⑤.
7. Relâchez le bouton ⑥.
8. Poussez les billes de retenue vers l'extérieur afin de les placer derrière l'écrou hexagonal ①.

Pour retirer les roues, procédez en sens inverse.

### 4.3 Accessoires (en option)

#### ! IMPORTANT !

- Lors de l'installation des roues pour déplacement manuel, les roues arrière doivent rester bloquées.
- Les roues pour déplacement manuel droite et gauche s'installent de la même manière.
- Les moyeux et les freins de stationnement des roues pour déplacement manuel doivent être installés par un technicien qualifié. Le montage est abordé dans les instructions de montage sous « Montage des moyeux et des freins pour les roues Aquatec® Ocean de 24 pouces ».

1. Alignez les quatre roulettes dans la direction du mouvement de la chaise.
2. Verrouillez toutes les roulettes.



#### AVERTISSEMENT !

##### Risque de blessure

- Le montage des accessoires (en option) doit être effectué conformément aux instructions correspondantes.

## 5 Utilisation

### 5.1 Informations de sécurité



#### AVERTISSEMENT !

- Utilisez uniquement la chaise roulante pour douche/toilettes sur une surface plane et à l'intérieur.
- Respectez les spécifications figurant sur l'autocollant d'identification. Ne surchargez pas la chaise roulante pour douche/toilettes.
- Ne placez pas de poids excessif sur la chaise roulante pour douche/toilettes.
- Effectuez toujours une inspection visuelle du produit afin de détecter toute détérioration avant chaque usage.



#### AVERTISSEMENT !

##### Risque de roulement ou de glissement

- Avant utilisation, assurez-vous que le siège est bien fixé à l'armature du siège.
- Verrouillez toutes les roulettes à levier à l'aide des leviers au pied avant de vous asseoir sur la chaise roulante pour douche/toilettes ou de vous relever, ainsi qu'en position d'arrêt.
- Serrez le frein de stationnement lorsque les roues pour déplacement manuel sont installées (en option).



#### AVERTISSEMENT !

##### Risque de basculement

- Basculez les repose-pieds sur le côté ou repliez les palettes repose-pieds avant de vous asseoir ou de vous mettre debout.
- Avant de vous asseoir ou de vous mettre debout, tournez les roulettes avant de manière à ce que le blocage soit orienté vers l'avant.
- Ne vous tenez jamais debout sur les repose-pieds.
- Ne vous penchez pas excessivement à l'avant.



#### AVERTISSEMENT !

##### Risque de basculement vers l'avant

- Dispositifs anti-basculer avant (réf. 1535936) sont disponibles pour empêcher que la chaise toilettes ne bascule vers l'avant.



#### AVERTISSEMENT !

##### Risque de basculement

- La chaise roulante pour douche/toilettes ne doit être déplacée qu'à l'aide de la barre de poussée ou au moyen des roues automotrices (en option).



### ATTENTION !

#### Risque de brûlure de la peau

Les composants du produit peuvent s'échauffer en cas d'exposition à des sources de chaleur externes.

- N'exposez pas le produit au rayonnement intense du soleil avant de l'utiliser.
- Laissez le produit revenir à la température ambiante avant de l'utiliser.



### ATTENTION !

#### Risque de pincement

– Lors de l'utilisation des roues pour déplacement manuel (en option), ne placez pas les doigts dans les rayons ni entre les roues et l'armature du siège pendant le déplacement.



### IMPORTANT !

#### Risque d'endommagement du produit

– Ne vous servez pas des repose-pieds pour soulever la chaise roulante pour douche/toilettes.

## 5.2 Utilisation de la chaise roulante pour douche/toilettes

### Basculement des accoudoirs

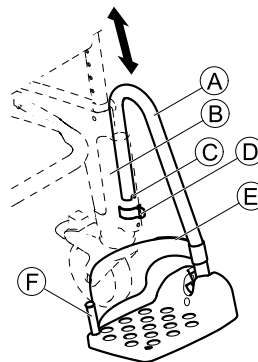


### ATTENTION !

#### Risque de se coincer les doigts dans le mécanisme de pliage

- N'insérez jamais les doigts dans le joint articulé lorsque vous pliez les accoudoirs vers le bas ou vers le haut.
- Ne placez pas les doigts entre les accoudoirs et le dossier lorsque vous pliez les accoudoirs.
- Assurez-vous qu'aucune pièce n'est coincée.

### Basculement des repose-pieds



Position d'entrée/position de sortie :

1. Tirez le repose-pied **Ⓐ** dans le guide **Ⓑ** légèrement vers le haut, jusqu'à ce que la rainure **Ⓒ** soit dégagée de la broche du clip **Ⓓ**.
2. Basculez le repose-pied sur le côté.

#### Position de déplacement :



#### ATTENTION !

#### Risque d'accident provoqué par un repose-pied ballant

- Fixez que les repose-pieds sont en position de conduite.

1. Faites pivoter le repose-pied **Ⓐ** vers l'intérieur.
2. Poussez le repose-pied vers le bas jusqu'à ce que la rainure **Ⓒ** s'engage dans la broche du clip **Ⓓ**.

#### Démontage/fixation de la sangle talonnière

1. Ouvrez la bande Velcro® **Ⓔ** de la sangle talonnière.
2. Retirez la vis **Ⓕ** du dessous de la palette repose-pied.
3. Retirez la sangle talonnière de la broche en plastique flexible.



Pour fixer la sangle, procédez en sens inverse.



#### IMPORTANT !

- Lors de l'installation, assurez-vous que la bande Velcro® de la sangle talonnière est orientée vers l'arrière.

#### Démontage/fixation de la plaque d'assise

##### Démontage :

1. Tirez la plaque d'assise vers le haut des deux côtés.

##### Fixation :



#### ATTENTION !

#### Risque de se coincer les doigts !

- Ne placez pas les doigts entre l'assise et l'armature du siège au moment d'enfoncer la plaque d'assise.

1. Placez la plaque d'assise sur l'armature du siège avec la découpe orientée vers l'avant.
2. Poussez la plaque d'assise en arrière aussi loin que possible.
3. Avec votre main à plat, enfoncez la plaque d'assise sur les côtés, puis à l'avant et à l'arrière jusqu'à ce qu'elle s'enclenche dans l'armature du siège.

## 6 Transport

### 6.1 Informations de sécurité



Il est possible, en vue du transport, de désassembler le produit pour obtenir les composants fournis à la livraison, voir chapitre 3.1 *Présentation*, page 59.

1. Démontez l'appareil, voir chapitre 4.2 *Assemblage de la chaise roulante pour douche/toilettes*, page 61 en procédant dans l'ordre inverse de la procédure de montage.



#### **IMPORTANT !**



##### **Risque d'endommagement du produit**

- Transportez le produit dans un endroit sec.
- Conservez le produit à l'abri de la lumière directe du soleil.
- Consultez les conditions de stockage et de transport figurant au chapitre 10.3 *Paramètres environnementaux*, page 76.



#### **IMPORTANT !**



- Des vis et écrous autobloquants ou un adhésif frein-filet sont utilisés pour plusieurs vissages. S'ils sont desserrés, ils doivent être remplacés par de nouveaux écrous ou vis autobloquants ou être refixés avec un nouvel adhésif frein-filet.

## 7 Maintenance

### 7.1 Maintenance et inspection

Si vous observez les instructions de nettoyage et les consignes de sécurité fournies, aucune intervention de maintenance ne sera nécessaire sur le matériel.

- Vérifiez régulièrement le produit et les accessoires afin de vous assurer qu'ils ne sont pas endommagés et qu'ils sont montés correctement.
- En cas de détérioration ou de réparation éventuellement nécessaire, contactez immédiatement votre fournisseur.

### 7.2 Nettoyage et désinfection

Ce produit peut être nettoyé et désinfecté au moyen de produits disponibles dans le commerce.

#### ! IMPORTANT !

L'hygiène est cruciale dans les zones sensibles que sont la salle de bains et les toilettes.  
– Gardez le produit propre à tout moment et essuyez-le régulièrement.

1. Désinfectez le produit en essuyant toutes les surfaces généralement accessibles avec un désinfectant (le cas échéant, après son démontage).

#### ! IMPORTANT !

Tous les désinfectants et agents de nettoyage utilisés doivent être efficaces, compatibles entre eux et protéger les surfaces qu'ils sont censés nettoyer. Pour de plus amples informations sur la décontamination dans des environnements médicaux, veuillez vous reporter aux directives du National Institute for Clinical Excellence relatives à la prévention des infections [www.nice.org.uk/CG139](http://www.nice.org.uk/CG139) et à votre réglementation locale de prévention des infections.  
– Nettoyez le produit à la main ou dans un autoclave.  
– Procédez au nettoyage sans produit abrasif.

### Nettoyage dans un environnement domestique

#### ! IMPORTANT !

Risque d'endommagement du produit  
– Ne démontez pas les supports destinés aux accessoires.

1. Retirez les éventuels accessoires montés.
2. Retirez les repose-pieds des guides.
3. Retirez la plaque d'assise et la toile de dossier.
4. Retirez les pièces latérales.
5. Réinsérez immédiatement les clips dans l'armature du siège pour ne pas les égarer.
6. Essuyez les différentes pièces à l'aide d'un chiffon ou d'une brosse et avec des produits nettoyants et désinfectants disponibles dans le commerce.
7. Rincez ensuite à l'eau chaude.

8. Essuyez les pièces avec un chiffon sec.
9. Assemblez à nouveau le produit ; reportez-vous au chapitre 4, Montage.

### Nettoyage dans un environnement clinique



En plus du nettoyage décrit ci-dessus, nettoyez le produit après la sortie de chaque patient, à la fin d'une période d'utilisation ou une fois par mois au minimum (au premier des deux termes atteint) dans l'autoclave à 85 °C pendant 3 minutes.



#### **ATTENTION !**

##### **Risque de brûlure de la peau**

- Après le nettoyage, laissez le produit refroidir dans l'autoclave.

### Nettoyage de la toile de dossier (facultatif)

1. Retirez la toile de dossier.
2. Lavez la toile en machine à une température maximale de 60 °C et avec un détergent doux.



#### **IMPORTANT !**

##### **Risque de dommage matériel**

- Le lavage à des températures supérieures peut provoquer un rétrécissement.
- Ne passez pas les toiles au sèche-linge.



#### **IMPORTANT !**

- Un nettoyage excessif peut endommager le textile.
- Nous recommandons de remplacer la toile de dossier tous les deux ans par mesure d'hygiène.

### Nettoyage du pot de toilette (facultatif)

Vous pouvez nettoyer le pot de toilette dans un autoclave en respectant les températures et durées suivantes :

- 90 °C pendant 1 minute
- 85 °C pendant 3 minutes
- 80 °C pendant 10 minutes.

## 7.3 Remplacement des roulettes



#### **AVERTISSEMENT !**

##### **Risque d'accident en cas de fixation incorrecte des roulettes.**

- Les roulettes doivent être remplacées par un revendeur spécialisé.



---

## 8 Après l'utilisation

---

### 8.1 Stockage

- !** **IMPORTANT !**  
**Risque d'endommagement du produit**
- Entreposez le produit dans un endroit sec.
  - N'entreposez pas le produit près de sources de chaleur.
  - Conservez le produit à l'abri de la lumière directe du soleil.
  - Consultez les conditions de stockage et de transport figurant au chapitre *10.3 Paramètres environnementaux*, page 76.

### 8.2 Réutilisation

Le produit peut être réutilisé. Le nombre d'utilisations dépend de la fréquence et du mode d'utilisation. Avant la réutilisation, nettoyez et désinfectez soigneusement le produit (→ 7.2 *Nettoyage et désinfection*, page 71), contrôlez les fonctions de sécurité et réactivez-les si nécessaire.

### 8.3 Élimination

L'élimination et le recyclage des appareils usagés et de l'emballage doivent être conformes à la législation en vigueur.

Veuillez vous adresser au fabricant pour obtenir les détails concernant l'élimination correcte et intégrale du produit.

## 9 Dépannage

### 9.1 Identification et résolution des pannes

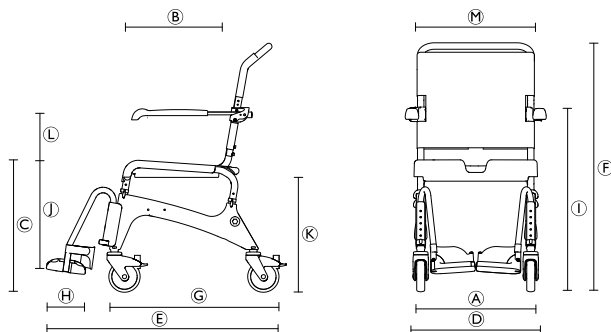


Le tableau suivant fournit des informations sur les défaillances et leurs causes possibles. Si les instructions fournies ne suffisent pas pour remédier au problème, veuillez contacter directement votre revendeur spécialisé.

Défaillance	Cause possible	Solution
Difficulté à régler la hauteur d'assise	Saletés entre l'armature du siège et la section latérale	Désassemblez le produit pour obtenir les composants fournis à la livraison et nettoyez-les méticuleusement
Il est difficile, voire impossible de tourner les roulettes	Saletés entre la fourche et la jante	Nettoyez soigneusement les roulettes
Difficulté à pousser les repose-pieds sur le côté	Dépôts dans les guides	Nettoyez soigneusement les repose-pieds et les guides
Le frein de stationnement des roues pour déplacement manuel (en option) ne s'enclenche pas	Frein de stationnement mal réglé	Le frein de stationnement doit être réglé par un technicien qualifié.

## 10 Caractéristiques Techniques

### 10.1 Dimensions et poids



(A)	Largeur d'assise	480 mm
(B)	Profondeur d'assise	450 mm
(C)	Hauteur d'assise	475 - 600 mm
(D)	Largeur totale (Ocean) Largeur totale (Ocean XL) Largeur totale avec roues pour déplacement manuel	560 mm 640 mm 675 mm
(E)	Profondeur totale Profondeur totale avec roues pour déplacement manuel	900 mm 1060 mm
(F)	Hauteur totale	964 - 1094 mm
(G)	Profondeur sans les repose-pieds	700 mm

(H)	Profondeur de la palette repose-pieds	160 mm
(I)	Hauteur des accoudoirs	680 - 850 mm
(J)	Hauteur des repose-pieds au siège	255 - 495 mm
(K)	Distance minimale entre le sol et le support de la chaise toilettes	environ 408 mm
	Largeur minimale entre les pièces latérales	environ 381 mm
	Poids du produit	environ 15 kg
	Poids du produit avec roues pour déplacement manuel	environ 19,5 kg
	Poids maximal de l'utilisateur (Ocean)	150 kg
	Poids maximal de l'utilisateur (Ocean XL)	180 kg

### 10.2 Matériaux

Châssis	Acier inoxydable, poudré
Plaque d'assise	Polypropylène
Toile de dossier	Nylon, enduit PVC
Repose-pieds/pièces latérales	Polypropylène, renforcement fibre de verre

Garnitures d'accoudoirs	Polypropylène
Roulettes	Plastiques et acier inoxydable
Surface de roulement des roues 24"	PUR

Tous les composants du produit sont résistants à la corrosion et exempts de latex de caoutchouc naturel.

### 10.3 Paramètres environnementaux

<b>Conditions de fonctionnement</b>	
Température ambiante	10 °C - 65 °C
Humidité relative	15 % - 93 %, sans condensation
Pression atmosphérique	795 - 1060 hPa
<b>Conditions de stockage et de transport</b>	
Température ambiante	0 °C - 40 °C
Humidité relative	30 % - 75 %, sans condensation
Pression atmosphérique	795 - 1060 hPa

---

## Sommario

---

Il presente manuale deve essere fornito all'utilizzatore del prodotto. Leggere il presente manuale e conservarlo per eventuali consultazioni successive, PRIMA di utilizzare il prodotto.

<b>1 Generale</b>	<b>78</b>
1.1 Informazioni generali	78
1.2 Simboli in questo manuale d'uso	78
1.3 Garanzia	78
1.4 Conformità	78
1.5 Uso previsto	79
1.6 Durata	79
<b>2 Sicurezza</b>	<b>80</b>
2.1 Informazioni per la sicurezza	80
2.2 Etichette e simboli sul prodotto	80
<b>3 Componenti</b>	<b>82</b>
3.1 Panoramica	82
<b>4 Messa in servizio</b>	<b>84</b>
4.1 Informazioni per la sicurezza	84
4.2 Montaggio della carrozzina da doccia e da toilette	84
4.3 Accessori (opzionali)	90
<b>5 Uso</b>	<b>91</b>
5.1 Informazioni per la sicurezza	91
5.2 Utilizzo della carrozzina da doccia e da toilette	92
<b>6 Trasporto</b>	<b>94</b>
6.1 Informazioni per la sicurezza	94
<b>7 Manutenzione</b>	<b>95</b>
7.1 Manutenzione e controllo	95
7.2 Pulizia e disinfezione	95
7.3 Sostituzione delle ruote	96
<b>8 Dopo l'utilizzo</b>	<b>97</b>
8.1 Conservazione	97

8.2 Riutilizzo	97
8.3 Smaltimento	97
<b>9 Guida alla soluzione dei problemi</b>	<b>98</b>
9.1 Identificazione e riparazione dei guasti	98
<b>10 Dati Tecnici</b>	<b>99</b>
10.1 Dimensioni e peso	99
10.2 Materiali	99
10.3 Parametri ambientali	100

# 1 Generale

## 1.1 Informazioni generali

Il presente manuale d'uso contiene informazioni importanti sull'utilizzo del prodotto. Al fine di garantire la sicurezza di utilizzo del prodotto, leggere attentamente il manuale d'uso e seguire le istruzioni sulla sicurezza.

In caso di problemi di vista, è possibile visualizzare il manuale d'uso come file PDF su Internet e ingrandirlo sullo schermo secondo necessità. Se non si riescono a ingrandire a sufficienza i testi e la grafica, contattare il distributore Invacare® nazionale. Per gli indirizzi, vedere il retro di questo manuale. Se necessario, provvederemo alla fornitura di un file PDF ad alta risoluzione del manuale d'uso.

## 1.2 Simboli in questo manuale d'uso

Nel presente manuale d'uso, le avvertenze sono contrassegnate con dei simboli. Il titolo accanto al simbolo di avvertenza indica il livello di pericolo.



### ATTENZIONE

Indica una situazione pericolosa che, se non evitata, potrebbe causare la morte o gravi lesioni.



### AVVERTENZA

Indica una situazione pericolosa che, se non evitata, potrebbe causare lesioni di lieve entità.



### IMPORTANTE

Indica una situazione pericolosa che, se non evitata, potrebbe causare danni.



Consigli utili, raccomandazioni e informazioni per garantire un funzionamento efficiente e regolare.



Questo prodotto è conforme alla direttiva 93/42/CEE riguardante i prodotti medicali. La data di lancio di questo prodotto è specificata nella dichiarazione di conformità CE.



Fabbricante

## 1.3 Garanzia

Sul prodotto offriamo una garanzia del produttore in conformità ai Termini e condizioni generali di vendita applicabili nei rispettivi paesi. La garanzia può essere fatta valere solo attraverso il fornitore presso il quale è stato acquistato il prodotto.

## 1.4 Conformità

La qualità è di fondamentale importanza per la nostra azienda e tutti i processi sono basati sulla norma ISO 13485.

Il prodotto è dotato di marchio CE, in conformità con la Direttiva 93/42/CEE concernente i dispositivi medici della classe 1.

Invacare lavora costantemente per garantire che l'impatto ambientale dell'azienda a livello locale e globale sia ridotto al minimo.

- Garantiamo di utilizzare esclusivamente materiali e componenti conformi alla direttiva REACH.

Per ulteriori informazioni si prega di contattare la propria filiale Invacare nazionale (gli indirizzi sono riportati alla fine del presente documento).

## 1.5 Uso previsto

La carrozzina da doccia e da toilette è concepita esclusivamente come ausilio per la doccia o il bagno, per l'utilizzo del WC e durante le pratiche di igiene personale (ad esempio, davanti al lavabo) o per lo spostamento dei pazienti in ambienti al coperto. È destinato all'uso da parte di un paziente adulto, con o senza l'assistenza di un infermiere, con:

- difficoltà a stare in piedi o a mantenere l'equilibrio
- gambe deboli o disabilità agli arti inferiori
- condizioni mediche tali da pregiudicare l'equilibrio

Il prodotto è destinato all'uso in un ambiente domestico e ospedaliero. Qualsiasi altro uso è vietato.



### **ATTENZIONE!**

#### **Pericolo di lesioni**

- Non utilizzare mai il prodotto come ausilio per entrare o uscire da vasca da bagno, per salire o scendere, come supporto o per scopi simili.
- Non utilizzare il prodotto all'aperto.

Come carrozzina da toilette, è possibile utilizzare il prodotto su un WC standard o in modo indipendente con la padella (opzionale).

La carrozzina da doccia e da toilette può essere utilizzata come sgabello da bagno in una piscina, solo se la piscina non contiene acqua salata e sotto la costante sorveglianza di un assistente.

Temperatura per l'utilizzo: 10 - 65 °C

## 1.6 Durata

La durata prevista per questo prodotto è di cinque anni, a condizione che sia utilizzato in conformità alle istruzioni per l'uso indicate nel presente documento e che siano rispettati gli intervalli di manutenzione e controllo. La durata stimata può essere superata se il prodotto è utilizzato con cura e sottoposto a manutenzione adeguata, e se i vantaggi tecnici e scientifici non portano a limitazioni tecniche. La durata può anche essere ridotta considerevolmente a seguito di un uso estremo o non corretto. Il fatto che indichiamo una durata per questi prodotti non rappresenta un'ulteriore garanzia.

## 2 Sicurezza

### 2.1 Informazioni per la sicurezza



#### ATTENZIONE!

- Non usare questo prodotto o nessun altro dispositivo opzionale disponibile senza prima aver letto attentamente e compreso fino in fondo le presenti istruzioni e ogni altro materiale informativo come il Manuale d'uso, il Manuale per la manutenzione o i Fogli di istruzione forniti con questo prodotto o con i dispositivi opzionali. I manuali dei prodotti Invacare sono disponibili su internet o presso il proprio rivenditore (gli indirizzi sono riportati sul retro di copertina del presente manuale).
- Qualora alcune avvertenze, precauzioni o istruzioni fossero di difficile comprensione, vi invitiamo a contattare un operatore sanitario qualificato, il rivenditore o tecnici qualificati prima di iniziare a utilizzare questa apparecchiatura, in modo da evitare possibili lesioni a persone o danni alle cose.



#### ATTENZIONE!

#### Pericolo di lesioni

- Non salire in piedi sul prodotto.
- Non utilizzare come ausilio per arrampicarsi.
- Non utilizzare all'aperto.



#### ATTENZIONE!

#### Pericolo di lesioni

- Non utilizzare se difettoso.
- In caso di malfunzionamento, contattare immediatamente il rivenditore.
- Non apportare modifiche o alterazioni non autorizzate al prodotto.
- Utilizzare solo gli accessori intesi per questo prodotto.



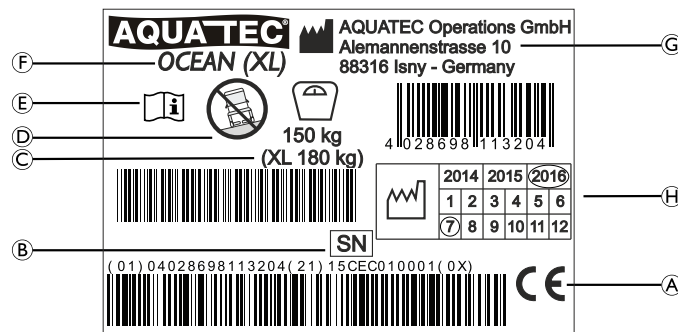
#### IMPORTANTE!

Le informazioni contenute nel presente manuale possono essere modificate senza preavviso.

### 2.2 Etichette e simboli sul prodotto

#### Etichetta modello

L'etichetta modello riporta informazioni importanti:





Ⓐ	Contrassegno di conformità
Ⓑ	Numero di serie
Ⓒ	Peso max. utilizzatore
Ⓓ	Nota (utilizzare solo su superfici piane)
Ⓔ	Leggere il manuale d'uso
Ⓕ	Denominazione del prodotto
Ⓖ	Indirizzo del produttore
Ⓗ	Data di produzione

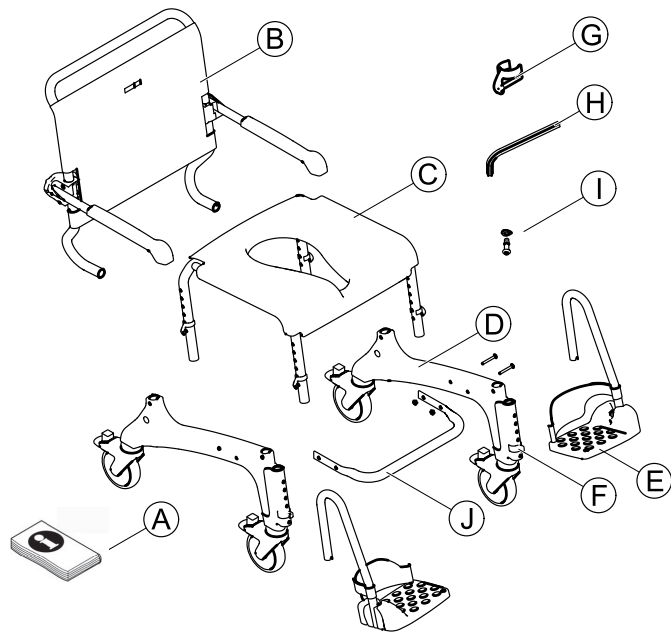


L'etichetta modello è attaccata sul lato interno dell'elemento laterale destro.

## 3 Componenti

### 3.1 Panoramica

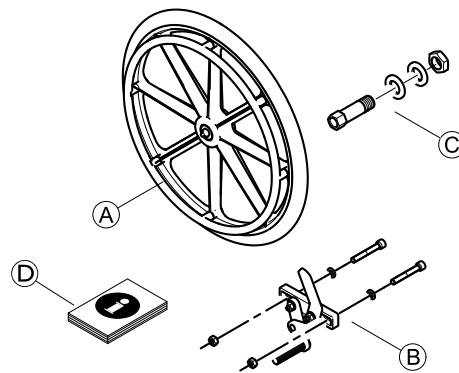
Fanno parte della fornitura i seguenti componenti:



(A)	Manuale d'uso
(B)	Schienale con rivestimento e braccioli
(C)	Telaio del sedile con piastra del sedile

(D)	Parti laterali con ruote (2 x)
(E)	Poggipiedi con cinturino per caviglie (2 x)
(F)	Morsetti (2 x) per poggipiedi (inserito)
(G)	Morsetti (4 x) per telaio del sedile
(H)	Chiave a brugola AF 4
(I)	Viti (4 x) e rondelle (4 x)
(J)	Tubo di stabilizzazione di base con viti (4 x) e dadi (4 x) - Solo per Ocean XL

Le seguenti parti vengono fornite insieme con le ruote ad autospinta con freno di stazionamento:



(A)	Ruote ad autospinta (2 x)
(B)	Freni di stazionamento (2 x)
(C)	Mozzi inclusi assali (2 x)



Si tenga presente la variazione delle dimensioni conseguente all'installazione delle ad autospinta. Per informazioni dettagliate fare riferimento al capitolo Dati tecnici.

## 4 Messa in servizio

### 4.1 Informazioni per la sicurezza



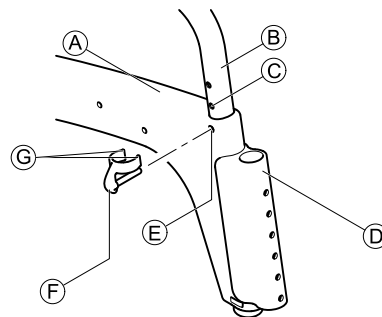
#### ATTENZIONE!

- Prima della messa in servizio, verificare che le parti non presentino danni dovuti al trasporto e contattare il rivenditore, se necessario.
- Assicurarsi che durante il montaggio le parti siano posizionate correttamente l'una rispetto all'altra.
- In diversi punti di giuntura sono impiegati dadi, viti autobloccanti o adesivo per filettature. Qualora questi elementi risultino allentati, è necessario sostituirli con nuove viti autobloccanti o dadi oppure fissarli con nuovo adesivo per filettature.

### 4.2 Montaggio della carrozzina da doccia e da toilette

Questa sezione descrive il montaggio. Lo smontaggio avviene nell'ordine inverso.

#### Montaggio del tubo del telaio del sedile per la regolazione dell'altezza



1. Togliere i morsetti ⑥ dalla busta.
2. Posizionare il telaio del sedile sul suo lato.



#### IMPORTANTE

- Spingere la parte laterale in modo uniforme sul telaio senza ruotarla.
- Fissare la parte laterale alla stessa altezza, davanti e dietro.

3. Premere la parte laterale ① con le guide per i poggiatesta ④ in avanti sul telaio del sedile ②.
4. Allineare le staffe a morsetto ⑤ sulla parte anteriore e posteriore della parte laterale con un foro presente nel telaio del sedile ③.
5. Inserire i morsetti ⑥ dall'esterno nella parte laterale, finché entrambe le estremità ⑦ non avvolgono il tubo del telaio del sedile ②.



#### IMPORTANTE

- Assicurarsi che le parti laterali destra e sinistra siano posizionate alla stessa altezza.

- Girare il telaio del sedile e ripetere la procedura sulla seconda parte laterale.
- Dopo aver montato le parti laterali, posizionare il telaio del sedile sulle proprie ruote.

### Regolazione dell'altezza del sedile

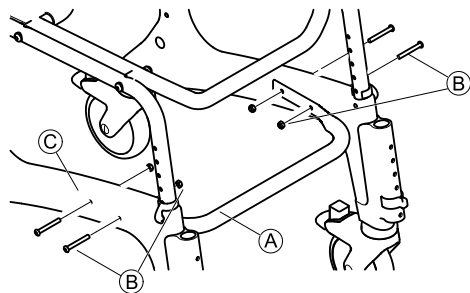


#### ATTENZIONE!

- L'altezza del sedile deve essere regolata in base alle esigenze dell'utilizzatore. Di norma, l'altezza del sedile è regolata correttamente quando l'utilizzatore è seduto sulla carrozzina e riesce a toccare il pavimento con entrambi i piedi.
- L'altezza del sedile deve essere regolata in modo uniforme su entrambi i lati.
- Non regolare l'altezza del sedile mentre c'è una persona seduta sulla carrozzina da doccia e da toilette.

- Solleverare leggermente la carrozzina da doccia e da toilette da un lato del telaio del sedile (B).
- Rimuovere entrambi i morsetti (F) da questo lato.
- Per regolare l'altezza del sedile, estrarre la struttura del sedile dalla parte laterale (A) oppure premerlo fino a inserirlo nella parte laterale.
- Spingere entrambi i morsetti fino in fondo.
- Ripetere i passaggi 1-4 sull'altro lato.

### Montaggio del tubo di stabilizzazione di base (solo per Ocean XL)



- Montare il tubo di stabilizzazione di base (A) mediante le viti e i dadi (B) in dotazione tra le parti laterali (C).

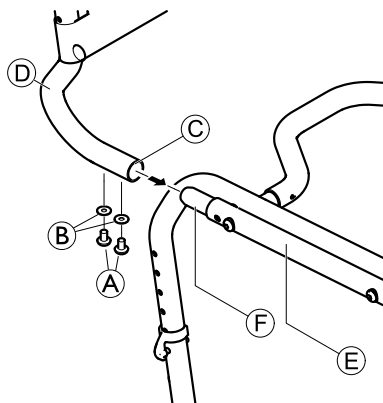
### Montaggio dello schienale

- Spingere verso il basso le quattro leve a pedale per bloccare le ruote orientabili.



#### IMPORTANTE!

- Assicurarsi che i braccioli siano rivolti in avanti quando piegati.



2.

Inserire lo schienale ① dal retro del telaio della seduta ②, fino a che la fascetta ③ non tocca il tubo del telaio del sedile ④.

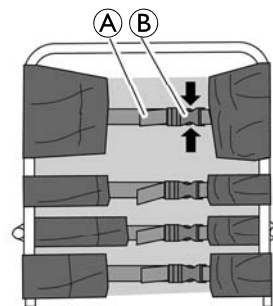
**! IMPORTANTE!**

- Serrare saldamente le viti con la chiave a brugola in dotazione.
- Controllare le viti regolarmente per assicurarsi che siano ben salde.

3. Posizionare una rondella ⑤ su ogni vite ⑥ e fissare lo schienale su entrambi i lati.
4. Serrare le viti con una coppia di 5 Nm.

**Regolazione del rivestimento dello schienale**

È possibile regolare il tensionamento dello schienale in base alle proprie preferenze.



**ATTENZIONE!**

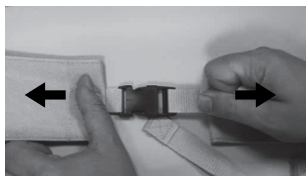
– Assicurarsi che almeno due cinghie siano sempre fatte passare sul lato esterno del telaio dello schienale e che i relativi meccanismi di bloccaggio siano chiusi.

Tensionamento:

1. Tirare le cinghie ① per tendere maggiormente il rivestimento dello schienale.

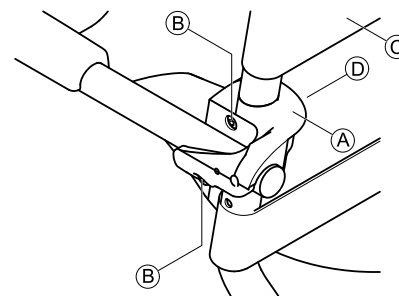
Allentamento:

1. Aprire le fibbie ② premendo le alette di fissaggio (come indicato dalle frecce).
2. Spingere leggermente all'indietro le cinghie attraverso la fibbia.
3. Chiudere le fibbie delle cinghie.
4. Tirare nuovamente le cinghie con delicatezza.

**ATTENZIONE!****Pericolo di lesioni dovute a fibbie dello schienale danneggiate!**

Verificare che le fibbie dello schienale siano saldamente fissate ogni volta che il prodotto viene sottoposto a manutenzione e con cadenza annuale.

- Controllare che tutti i fermi delle fibbie siano fissati in modo sicuro chiudendo le fibbie e tirando da entrambe le estremità.
- Sostituire lo schienale o le fibbie dello schienale se una fibbia si apre quando è sottoposta alla forza applicata.

**Regolazione dell'altezza dei braccioli****IMPORTANTE!**

- Regolare l'altezza dei braccioli secondo le esigenze dell'utilizzatore.
- Regolare l'altezza dei braccioli allo stesso livello su entrambi i lati.
- Regolare l'altezza dei braccioli destro e sinistro allo stesso modo.

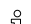
1. Sul rivestimento dello schienale, aprire la fibbia della cinghia che passa sul lato interno del telaio dello schienale.
2. Sul rivestimento dello schienale, aprire la fibbia della cinghia © che passa sopra il bracciolo.
3. Far passare questa cinghia sul lato interno del telaio dello schienale e chiuderla.



I dadi sono inseriti nel fermo di fissaggio senza essere serrati, pertanto possono cadere.

4. Svitare le viti ② della staffa del bracciolo ① servendosi della chiave a brugola in dotazione.

5. Estrarre il fermo di fissaggio ① con i dadi dal telaio dello schienale.
6. Rimuovere la staffa dello schienale ② con il bracciolo e spostarla verso l'alto.

 Il foro più piccolo serve a bloccare il fermo di fissaggio.

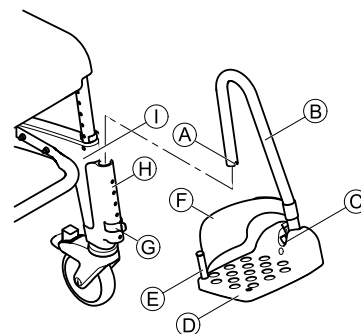
7. Inserire le viti nella staffa del bracciolo e guidarle attraverso i fori nel telaio dello schienale.
8. Se necessario, inserire nuovamente i dadi nel fermo di fissaggio.
9. Posizionare il fermo di fissaggio sul telaio dello schienale in modo che l'elemento di bloccaggio del fermo sia inserito nel foro più piccolo.
10. Girare le viti nei dadi e serrare.
11. Far passare la cinghia del rivestimento dello schienale ancora aperta sul lato esterno del telaio dello schienale, chiuderla e stringere tutte le cinghie.

### **! IMPORTANTE!**

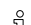
I braccioli possono essere abbassati seguendo la stessa procedura.

- Durante il passaggio alla posizione abbassata, la cinghia sotto il bracciolo deve essere aperta e fatta passare sul lato interno del telaio dello schienale.

## **Montaggio dei poggiatesta**



1. Spingere il poggiatesta ② con la pedana ④ nella guida ⑧ sul davanti della parte laterale ① affinché la scanalatura ⑤ si innesti con il perno del morsetto ③. Il poggiatesta non può più essere girato lateralmente.

 La procedura di montaggio è identica per i poggiatesta destro e sinistro.

## **Regolazione dell'altezza dei poggiatesta**

1. Tirare leggermente verso l'alto il poggiatesta ②.
2. Estrarre il fermo a scatto ⑥ e reinserirlo nella posizione desiderata. Se necessario, estrarre leggermente ancora un po' il poggiatesta.
3. Spingere il poggiatesta verso il basso affinché la scanalatura ⑤ si innesti sul perno del fermo a scatto.
4. Regolare l'altro poggiatesta alla stessa altezza, come descritto.

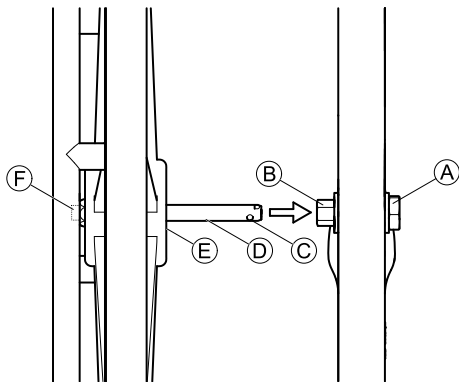
## **Regolazione dell'inclinazione delle pedane**



**! IMPORTANTE!**

- L'inclinazione delle pedane può essere regolata all'infinito in modo variabile.
- Assicurarsi che le pedane destra e sinistra siano regolate allo stesso modo.

1. Allentare la vite a brugola © sulla pedana servendosi di una chiave a brugola da 4.
2. Portare la pedana Ⓓ nella posizione desiderata.
3. Stringere nuovamente la vite a brugola.

**Montaggio/smontaggio delle ruote ad autospinta (opzionale)****! IMPORTANTE!**

- Durante il montaggio delle ruote ad autospinta, le ruote posteriori devono rimanere bloccate.
- Il montaggio delle ruote ad autospinta avviene nello stesso modo.
- I mozzi e i freni di stazionamento per le ruote ad autospinta devono essere montati da un tecnico qualificato. Il montaggio è descritto nelle istruzioni di montaggio (Montaggio dei mozzi e freni per le ruote Aquatec® Ocean da 24").

1. Allineare tutte e quattro le ruote orientabili nella direzione di marcia.
2. Bloccare tutte le ruote.
3. Spingere l'assale Ⓓ verso l'interno sulla ruota auto-propellente. (Gli anelli corrimano sporgono verso l'esterno.)
4. Premere e tenere premuto il pulsante Ⓕ sull'esterno dell'assale. Quest'operazione libera le sfere di ritenuta © all'estremità dell'assale.
5. Sollevare leggermente la carrozzina da doccia e da toilette.
6. Inserire l'assale nel mozzo Ⓑ e premere in la ruota auto-propellente sull'assale fino all'estremità Ⓔ.
7. Rilasciare il pulsante Ⓕ.
8. Premere le sfere di ritenuta verso l'esterno in modo che rimangano dietro il dado esagonale Ⓐ.

Per rimuovere le ruote seguire la stessa procedura, ma nell'ordine inverso.

### 4.3 Accessori (opzionali)



**ATTENZIONE!**

**Pericolo di lesioni**

- Il montaggio degli accessori deve essere eseguito seguendo le relative istruzioni.

## 5 Uso

### 5.1 Informazioni per la sicurezza



#### **ATTENZIONE!**

- Utilizzare la carrozzina da doccia e da toilette solo su una superficie piana e al coperto.
- Rispettare le specifiche riportate sull'etichetta di identificazione. Non sovraccaricare la carrozzina da doccia e da toilette.
- Non collocare pesi eccessivi sulla carrozzina da doccia e da toilette.
- Prima di ogni utilizzo, effettuare sempre un controllo visivo per verificare che il prodotto non presenti danni esterni.



#### **ATTENZIONE!**

##### **Rischio di scivolamento e ribaltamento**

- Prima dell'utilizzo, assicurarsi che il sedile sia fissato saldamente al relativo telaio.
- Bloccare tutte le ruote orientabili con le levette a pedale prima di sedersi o di alzarsi dalla carrozzina da doccia e da toilette, anche nella posizione di stazionamento.
- Al momento del montaggio delle ruote ad autospinta applicare il freno di stazionamento (opzionale).



#### **ATTENZIONE!**

##### **Rischio di ribaltamento**

- Ruotare lateralmente i poggiatesta o ripiegare le pedane verso l'alto prima di sedersi o di alzarsi in piedi.
- Prima di sedersi o di alzarsi, ruotare le ruote orientabili anteriori in modo che il dispositivo di bloccaggio sia rivolto in avanti.
- Non salire sui poggiatesta.
- Non sporgersi eccessivamente in avanti.



#### **ATTENZIONE!**

##### **Rischio di ribaltamento in avanti**

- Sono disponibili dispositivi antiribaltamento anteriori (Art. n° 1535936) per evitare che la carrozzina da doccia e da toilette si ribalti in avanti.



#### **ATTENZIONE!**

##### **Rischio di ribaltamento**

- La carrozzina da doccia e da toilette deve essere spostata esclusivamente utilizzando la barra di spinta o le ruote ad autospinta (opzionali).



### AVVERTENZA!

#### Rischio di ustioni della pelle

I componenti del prodotto possono riscaldarsi se esposti a fonti di calore esterne.

- Non esporre il prodotto alla luce diretta del sole prima dell'uso.
- Attendere che il prodotto raggiunga la temperatura ambiente prima di utilizzarlo.



### AVVERTENZA!

#### Rischio di pizzicamento

– Quando si utilizzano le ruote ad autospinta (opzionale), non inserire le dita tra i raggi o tra le ruote ad autospinta e il telaio del sedile mentre il prodotto è in movimento.



### IMPORTANTE!

#### Rischio di danni al prodotto

– Non sollevare la carrozzina da doccia e da toilette tramite i poggiatesta.

## 5.2 Utilizzo della carrozzina da doccia e da toilette

### Orientamento dei braccioli

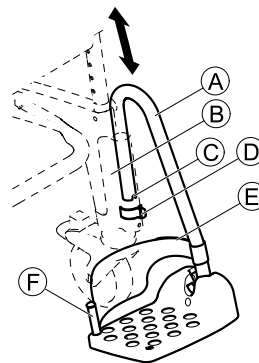


### AVVERTENZA!

#### Rischio di schiacciamento delle dita nel meccanismo di ripiegamento

- Non inserire le dita nelle giunture articolate quando si piegano i braccioli verso l'alto o verso il basso.
- Non inserire le dita tra il bracciolo e lo schienale quando si piegano i braccioli.
- Assicurarsi che nessuna parte del corpo resti intrappolata.

### Orientamento dei poggiatesta



### Posizione di salita/discesa:

1. Tirare leggermente il poggiapiedi **A** nella guida **B** verso l'alto, finché la scanalatura **C** non si innesti più nel perno del morsetto **D**.
2. Ruotare lateralmente il poggiapiedi.

#### Posizione di guida:



#### AVVERTENZA!

**Pericolo di incidenti a causa di un poggiapiedi allentato**

– Fissare i poggiapiedi nella posizione di guida.

1. Ruotare il poggiapiedi **A** verso l'interno.
2. Spingere il poggiapiedi verso il basso affinché la scanalatura **C** si innesti nel perno del morsetto **D**.

#### Smontaggio/montaggio del cinturino per caviglie

1. Aprire il nastro a Velcro® **E** sul cinturino per caviglie.
2. Togliere la vite **F** dalla parte inferiore della pedana.
3. Togliere il cinturino per caviglie dal perno in plastica flessibile.



Per allacciare il cinturino seguire la stessa procedura, ma nell'ordine inverso.



#### IMPORTANTE!

– Durante il montaggio, assicurarsi che il nastro a Velcro® del cinturino per caviglie sia rivolto all'indietro.

#### Montaggio:



#### AVVERTENZA!

**Rischio di schiacciamento delle dita**

– Non mettere le dita tra la superficie del sedile e il telaio del sedile quando la piastra del sedile viene premuta verso il basso.

1. Posizionare la piastra del sedile sul telaio del sedile con l'apertura rivolta in avanti.
2. Spingere la piastra del sedile all'indietro fino in fondo.
3. Con la mano aperta, spingere la piastra del sedile verso il basso sui lati e sulla parte anteriore e posteriore fino a far scattare la piastra del sedile bloccandola nel telaio del sedile.

#### Smontaggio/montaggio della piastra del sedile

#### Smontaggio:

1. Sollevare la piastra del sedile da entrambi i lati.

## 6 Trasporto

### 6.1 Informazioni per la sicurezza



Il prodotto può essere smontato per il trasporto in tutte le parti comprese nella fornitura (consultare il capitolo *3.1 Panoramica, pagina 82*).

1. Per smontare il prodotto, consultare il capitolo *4.2 Montaggio della carrozzina da doccia e da toilette, pagina 84* seguendo la procedura di montaggio nell'ordine inverso.



#### **IMPORTANTE!**



##### **Rischio di danni al prodotto**

- Trasferire il prodotto in un luogo asciutto.
- Non esporre il prodotto alla luce diretta del sole.
- Fare riferimento alle condizioni di conservazione e di trasporto riportate nella sezione *10.3 Parametri ambientali, pagina 100*



#### **IMPORTANTE!**



- Per numerosi collegamenti vengono usate viti autobloccanti, dadi o adesivo per filettature. Qualora questi elementi risultino allentati, è necessario sostituirli con nuove viti autobloccanti o dadi oppure fissarli con nuovo adesivo per filettature.

## 7 Manutenzione

### 7.1 Manutenzione e controllo

Il prodotto è esente da manutenzione solo se si rispettano le note relative alla pulizia e alla sicurezza.

- Controllare regolarmente che il prodotto e gli accessori non siano danneggiati e assicurarsi che siano assemblati in modo sicuro.
- In caso di danni e/o eventuali riparazioni, contattare immediatamente il fornitore.

### 7.2 Pulizia e disinfezione

Il prodotto può essere pulito e disinfettato con prodotti disponibili in commercio.

#### ! IMPORTANTE!

Nelle zone più esposte del bagno e del WC, l'igiene è particolarmente importante.

- Tenere sempre il prodotto pulito e lavarlo regolarmente.

1. Disinfettare il prodotto strofinando tutte le superfici generalmente accessibili con un disinfettante (se possibile dopo aver smontato il prodotto).

#### ! IMPORTANTE!

Tutti i prodotti detergenti e disinfettanti utilizzati devono essere efficaci, compatibili tra loro e devono proteggere i materiali su cui vengono utilizzati durante la pulizia. Per ulteriori informazioni sulla decontaminazione in ambienti sanitari, si prega di fare riferimento alle linee guida in materia di controllo delle infezioni fornite dall'istituto inglese "National Institute for Clinical Excellence" (disponibili sul sito [www.nice.org.uk/CG139](http://www.nice.org.uk/CG139)) e ai protocolli locali di controllo delle infezioni.

- Pulire a mano o in autoclave.
- Pulire senza detergenti abrasivi.

#### Pulizia in un ambiente domestico

#### ! IMPORTANTE!

Rischio di danni al prodotto

- Non smontare i supporti per gli accessori.

1. Rimuovere tutti gli accessori installati.
2. Togliere i poggiatesta dalle guide.
3. Rimuovere la piastra del sedile e il rivestimento dello schienale.
4. Smontare gli elementi laterali.
5. Reinscrivere immediatamente i fermi a scatto nel telaio del sedile in modo da non posizionarli in modo sbagliato.
6. Pulire le singole parti con un panno o una spazzola e con detergenti e disinfettanti disponibili in commercio.
7. Risciacquare con acqua calda.

8. Asciugare le parti con un panno.
9. Rimontare il prodotto, consultare il capitolo 4 Configurazione.

### **Pulizia in un ambiente ospedaliero o assistenziale**



Oltre alle istruzioni per la pulizia fornite in precedenza, pulire il prodotto dopo la dimissione di ciascun paziente, al termine del periodo d'uso o almeno una volta al mese (a seconda quale evenienza si verifica per prima) in autoclave a 85 °C per 3 minuti.



#### **AVVERTENZA!**

##### **Rischio di ustioni della pelle**

– Dopo la pulizia, lasciare raffreddare il prodotto all'interno dell'autoclave.

### **Pulizia del rivestimento dello schienale (opzionale)**

1. Togliere il rivestimento dello schienale.
2. Lavare il rivestimento in lavatrice con detergente delicato a una temperatura massima di 60 °C.



#### **IMPORTANTE!**

##### **Rischio di danneggiamento**

– Un lavaggio a temperature più elevate può provocare restringimenti.  
– Non asciugare i rivestimenti nell'asciugabiancheria



#### **IMPORTANTE!**

I lavaggi eccessivi possono danneggiare il tessuto.  
– Si raccomanda di sostituire il rivestimento dello schienale ogni due anni per motivi di igiene.

### **Pulizia della padella (opzionale)**

La padella può essere pulita in autoclave alle temperature/con i tempi seguenti:

- 90 °C per 1 minuto
- 85 °C per 3 minuti
- 80 °C per 10 minuti.

## **7.3 Sostituzione delle ruote**



#### **ATTENZIONE!**

##### **Rischio di incidenti dovuti all'errato montaggio delle ruote.**

– Le ruote devono essere sostituite da un rivenditore specializzato.



---

## 8 Dopo l'utilizzo

---

### 8.1 Conservazione

**IMPORTANTE!****Rischio di danni al prodotto**

- Conservare il prodotto in un luogo asciutto.
- Non riporre il prodotto vicino a fonti di calore.
- Non esporre il prodotto alla luce diretta del sole.
- Fare riferimento alle condizioni di conservazione e di trasporto riportate nella sezione 10.3 *Parametri ambientali, pagina 100*

### 8.2 Riutilizzo

Il prodotto può essere utilizzato più volte. Il numero di volte dipende dalla frequenza e dal modo in cui viene utilizzato il prodotto. Prima del riutilizzo, pulire e disinfettare accuratamente il prodotto (→ 7.2 *Pulizia e disinfezione, pagina 95* ), verificare le funzioni di sicurezza e ripristinarle, se necessario.

### 8.3 Smaltimento

Lo smaltimento e il riciclaggio dei dispositivi e degli imballaggi usati devono essere conformi alle normative di legge in vigore.

Consultare il produttore per i dettagli relativi al corretto e completo smaltimento.

## 9 Guida alla soluzione dei problemi

### 9.1 Identificazione e riparazione dei guasti

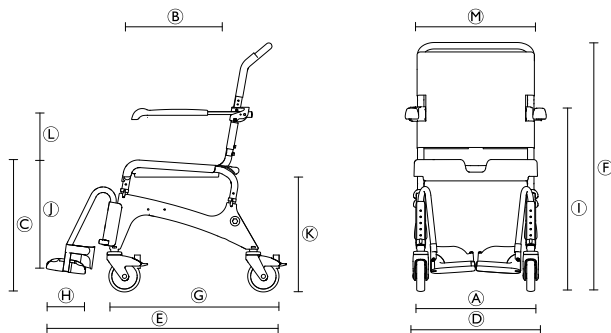


La tabella seguente fornisce informazioni sui malfunzionamenti e sulle possibili cause. Qualora non fosse possibile correggere il malfunzionamento mediante i rimedi indicati, contattare direttamente il proprio rivenditore specializzato.

<b>Guasto</b>	<b>Causa possibile</b>	<b>Soluzione</b>
Difficoltà di regolazione dell'altezza del sedile	Sporcizia tra il telaio del sedile e l'elemento laterale	Smontare il prodotto in tutte le parti comprese nella fornitura e pulirlo completamente
Le ruote orientabili sono difficili o impossibili da girare	Sporcizia tra la forcella e il cerchione	Pulire completamente le ruote
Difficoltà nello spostare lateralmente i poggiatesta	Depositi nelle guide	Pulire accuratamente i poggiatesta e le guide
Il freno di stazionamento delle ruote ad autospinna non si innesta.	Freno di stazionamento regolato in modo errato	Il freno di stazionamento deve essere regolato da un tecnico qualificato.

## 10 Dati Tecnici

### 10.1 Dimensioni e peso



Ⓐ	Larghezza del sedile	480 mm
Ⓑ	Profondità sedile	450 mm
Ⓒ	Altezza del sedile	475 - 600 mm
Ⓓ	Larghezza totale (Ocean) Larghezza totale (Ocean XL) Larghezza totale con ruote ad autospinta	560 mm 640 mm 675 mm
Ⓔ	Profondità totale Profondità totale con ruote ad autospinta	900 mm 1060 mm
Ⓕ	Altezza totale	964 - 1094 mm
Ⓖ	Profondità senza poggiatesta	700 mm

ⓓ	Profondità della pedana	160 mm
ⓔ	Altezza ai braccioli	680 - 850 mm
ⓖ	Altezza dal poggiatesta al sedile	255 - 495 mm
ⓗ	Distanza minima tra il pavimento e la staffa per la padella	circa 408 mm
	Larghezza minima tra le parti laterali	circa 381 mm
	Peso del prodotto	circa 15 kg
	Peso del prodotto con ruote ad autospinta	circa 19,5 kg
	Peso max. utilizzatore (Ocean)	150 kg
	Peso max. utilizzatore (Ocean XL)	180 kg

### 10.2 Materiali

Telaio	Acciaio inox, verniciato a polvere
Piastra del sedile	Polipropilene
Rivestimento dello schienale	Nylon, rivestito in PVC
Poggiatesta/Parti laterali	Polipropilene, rinforzato con fibra di vetro
Imbottiture dei braccioli	Polipropilene

Ruote orientabili	Plastica e acciaio inox
Superficie di scorrimento delle ruote da 24"	PUR

Tutti i componenti del prodotto sono resistenti alla corrosione e non contengono lattice di gomma naturale.

### 10.3 Parametri ambientali

<b>Condizioni di funzionamento</b>	
Temperatura ambiente	10 - 65 °C
Umidità relativa	15% - 93% non condensante
Pressione atmosferica	795 - 1060 hPa
<b>Condizioni di conservazione e di trasporto</b>	
Temperatura ambiente	0 - 40 °C
Umidità relativa	30% - 75% non condensante
Pressione atmosferica	795 - 1060 hPa

---

# Contenido

---

Este manual DEBE ser entregado al usuario final. ANTES de usar este producto lea este manual y guárdelo para futuras referencias.

<b>1 Generalidades</b>	<b>.102</b>
1.1 Información general	.102
1.2 Símbolos en este manual del usuario	.102
1.3 Garantía	.102
1.4 Cumplimiento	.102
1.5 Uso previsto	.103
1.6 Vida útil	.103
<b>2 Seguridad</b>	<b>.104</b>
2.1 Información sobre seguridad	.104
2.2 Etiquetas y símbolos en el producto	.104
<b>3 Componentes</b>	<b>.106</b>
3.1 Información general	.106
<b>4 Instalación</b>	<b>.108</b>
4.1 Información sobre seguridad	.108
4.2 Montaje de la silla de ducha e inodoro	.108
4.3 Accesorios (opcionales)	.114
<b>5 Utilización</b>	<b>.115</b>
5.1 Información sobre seguridad	.115
5.2 Uso de la silla de ducha e inodoro	.116
<b>6 Transporte</b>	<b>.118</b>
6.1 Información sobre seguridad	.118
<b>7 Mantenimiento</b>	<b>.119</b>
7.1 Mantenimiento y revisión	.119
7.2 Limpieza y desinfección	.119
7.3 Cambio de las ruedas	.120
<b>8 Después del uso</b>	<b>.121</b>
8.1 Almacenamiento	.121

8.2 Reutilización	.121
8.3 Eliminación	.121
<b>9 Solución de problemas</b>	<b>.122</b>
9.1 Identificación y reparación de fallos	.122
<b>10 Datos Técnicos</b>	<b>.123</b>
10.1 Dimensiones y peso	.123
10.2 Materiales	.123
10.3 Parámetros medioambientales	.124

# 1 Generalidades

## 1.1 Información general

Este manual del usuario contiene información importante sobre el producto. Para garantizar la seguridad cuando utilice el producto, lea detenidamente el manual del usuario y tenga en cuenta la información sobre seguridad.

Si tiene problemas de vista, puede consultar el manual del usuario en formato PDF, que se encuentra en Internet, y aumentar su tamaño en pantalla tanto como sea necesario. Si no puede aumentar lo suficiente el tamaño del texto y de los gráficos, póngase en contacto con el distribuidor de Invacare® de su país. Las direcciones se encuentran en la última página de este manual. En caso de ser necesario, le proporcionaremos un fichero PDF de alta resolución con el manual del usuario.

## 1.2 Símbolos en este manual del usuario

En este manual del usuario, las advertencias están marcadas con símbolos. El título junto al símbolo de advertencia indica el nivel de peligro.



### ADVERTENCIA

Indica una situación peligrosa que, si no se evita, puede tener como consecuencia la muerte o lesiones graves.



### PRECAUCIÓN

Indica una situación peligrosa que, si no se evita, puede tener como consecuencia lesiones leves.



### IMPORTANTE

Indica una situación peligrosa que, si no se evita, puede ocasionar daños.



Consejos útiles, recomendaciones e información para garantizar un funcionamiento eficaz y sin problemas.



Este producto cumple con la directiva 93/42/CEE sobre dispositivos médicos. La fecha de lanzamiento de este producto se especifica en la declaración de conformidad CE.



Fabricante

## 1.3 Garantía

Ofrecemos la garantía del fabricante del producto conforme a nuestras Condiciones generales y Condiciones comerciales en los distintos países. Las reclamaciones relativas a la garantía solo pueden efectuarse a través del distribuidor en el que se adquirió el producto.

## 1.4 Cumplimiento

La calidad es muy importante para nuestra empresa; todos los procesos se basan en la norma ISO 13485.

Este producto lleva la marca CE correspondiente, en cumplimiento con la Directiva sobre dispositivos médicos 93/42/CEE Clase 1.

Invacare trabaja continuamente para garantizar que se reduzca al mínimo el impacto medioambiental de la empresa, tanto a nivel local como global.

- Solo utilizamos materiales y componentes que cumplen con las directivas REACH.

Para obtener más información, póngase en contacto con Invacare en su país (las direcciones de contacto se incluyen al final de este documento).

## 1.5 Uso previsto

La silla de ducha e inodoro se ha diseñado exclusivamente como ayuda para ducharse, bañarse o ir al baño, para utilizarla durante la higiene personal (por ejemplo, delante del lavabo) o para trasladar a los pacientes en interiores. Su uso está destinado a pacientes adultos (con o sin asistencia de un cuidador) que tengan:

- Dificultades para mantener el equilibrio o permanecer de pie
- Piernas débiles o discapacidad de las extremidades inferiores
- Condiciones médicas que afecten negativamente a su equilibrio

El producto se ha diseñado para utilizarse en instituciones sanitarias y en hogares particulares. Se prohíbe cualquier otro uso.



### **¡ADVERTENCIA!** **Riesgo de lesiones**

- No utilice nunca el producto como ayuda para entrar o salir de la bañera, para subir o bajar cuestas, como soporte o para otros fines similares.
- No utilice el producto en exteriores.

Como silla de inodoro, el producto puede utilizarse sobre un inodoro estándar o de forma independiente con la cubeta inodora (opcional).

En piscinas, la silla de ducha e inodoro solo puede utilizarse como silla de baño si la piscina no contiene agua salada y bajo la vigilancia constante de otra persona.

Temperatura de uso: De 10 a 65 °C

## 1.6 Vida útil

La vida útil prevista para estos productos es de cinco años, siempre y cuando se utilicen estrictamente conforme al uso previsto que se describe en este documento y se cumplan los requisitos de mantenimiento. La vida útil prevista puede ser superior si el producto se utiliza con cuidado y se realiza un mantenimiento adecuado, y siempre y cuando los avances técnicos y científicos indicados no supongan una limitación técnica. Asimismo, la vida útil se puede reducir considerablemente con un uso extremo o incorrecto. El hecho de estimar una vida útil para estos productos no implica ninguna garantía adicional.

## 2 Seguridad

### 2.1 Información sobre seguridad



#### ¡ADVERTENCIA!

- No utilice este producto ni cualquier otro equipo opcional disponible sin antes haber leído y comprendido estas instrucciones y cualquier otro material informativo adicional, como manuales del usuario, manuales de servicio u hojas de instrucciones, proporcionados con este producto o equipo opcional. Los manuales de productos de Invacare se encuentran disponibles en Internet o a través de su representante local (la información de contacto se incluye en la contraportada de este manual).
- Si tiene alguna duda relacionada con las advertencias, precauciones o instrucciones, póngase en contacto con un profesional sanitario, su distribuidor o un técnico antes de intentar utilizar este equipo. De lo contrario, existe el riesgo de producirse lesiones o daños.



#### ¡ADVERTENCIA!

#### Riesgo de lesiones

- No se ponga de pie sobre el producto.
- No lo utilice como ayuda para escalar.
- No lo utilice en exteriores.



#### ¡ADVERTENCIA!

#### Riesgo de lesiones

- No utilice el producto si está defectuoso.
- En caso de producirse un fallo de funcionamiento, póngase en contacto con un distribuidor inmediatamente.
- No realice ningún cambio o modificación del producto sin autorización.
- Utilice únicamente los accesorios diseñados para este producto.



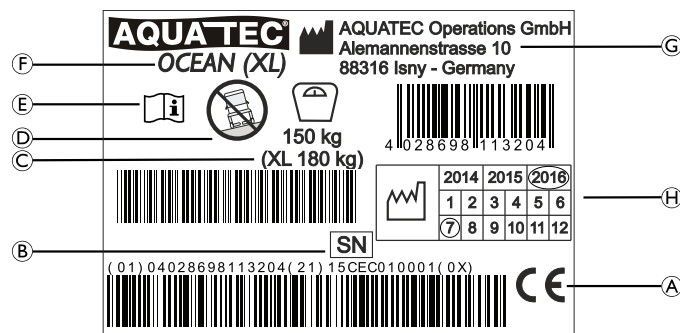
#### ¡IMPORTANTE!

La información incluida en este documento está sujeta a cambios sin previo aviso.

### 2.2 Etiquetas y símbolos en el producto

#### Etiqueta de identificación

La etiqueta de identificación incluye información importante:





Ⓐ	Marca de conformidad
Ⓑ	Número de serie
Ⓒ	Peso del usuario máximo
Ⓓ	Nota (usar solo en superficies planas)
Ⓔ	Leer el manual del usuario
Ⓕ	Nombre del producto
Ⓖ	Dirección del fabricante
Ⓗ	Fecha de fabricación

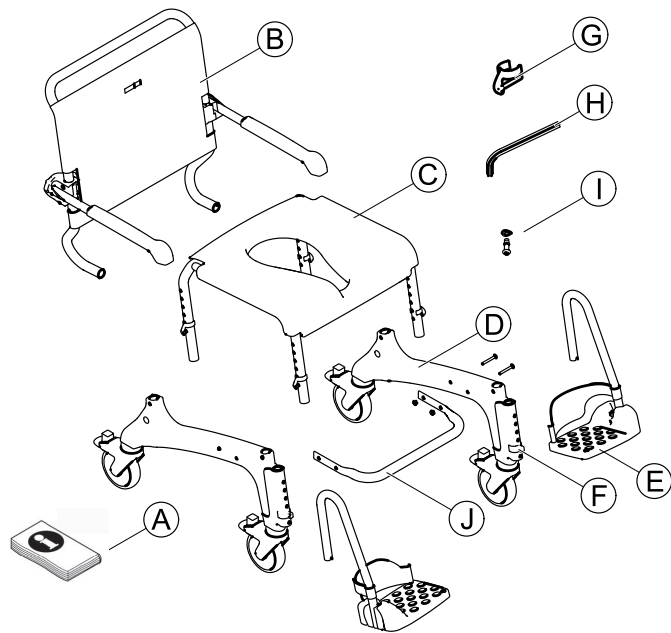


La etiqueta de identificación está fijada en el interior de la sección lateral derecha.

## 3 Componentes

### 3.1 Información general

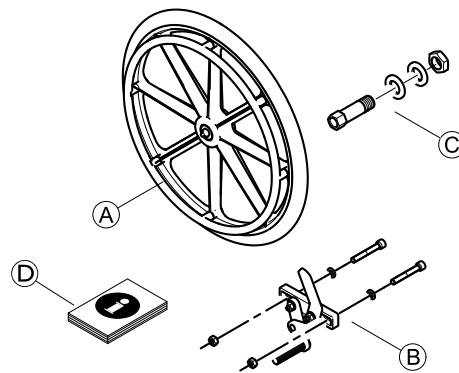
Los siguientes componentes se incluyen con la entrega:



(A)	Manual del usuario
(B)	Respaldo con funda y reposabrazos
(C)	Chasis del asiento con placa del asiento

(D)	Piezas laterales con ruedas (2)
(E)	Reposapiés con correa para el talón (2)
(F)	Clips (2) para reposapiés (insertados)
(G)	Clips (4) para el chasis del asiento
(H)	Llave Allen AF 4
(I)	Tornillos (4) y arandelas (4)
(J)	Tubo de estabilización de la base con tornillos (4) y tuercas (4) (solo Ocean XL)

Las siguientes piezas se incluyen con la entrega de las ruedas autopropulsadas con freno de estacionamiento:



(A)	Ruedas autopropulsadas (2)
(B)	Frenos de estacionamiento (2)
(C)	Cubos con ejes (2)



Tenga en cuenta el cambio de dimensiones cuando se montan las ruedas autopropulsadas. Para obtener más información, consulte el capítulo Datos técnicos.

## 4 Instalación

### 4.1 Información sobre seguridad



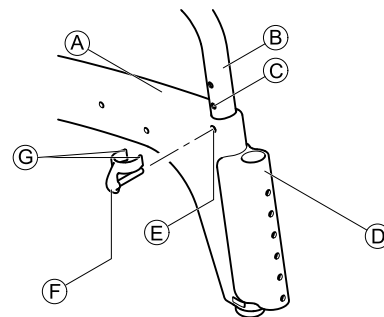
#### ¡ADVERTENCIA!

- Antes de utilizar la silla, compruebe si los componentes han sufrido algún daño durante el transporte y póngase en contacto con el distribuidor si es necesario.
- Durante el montaje, compruebe que las piezas estén correctamente colocadas unas con respecto a las otras.
- Se utilizan tornillos de seguridad, tuercas o adhesivo de bloqueo de roscas para varias conexiones. Si se aflojan, deben sustituirse con nuevos tornillos de seguridad, tuercas o deben asegurarse con nuevo adhesivo de bloqueo.

### 4.2 Montaje de la silla de ducha e inodoro

En esta sección se describe el montaje. El desmontaje se lleva a cabo en el orden inverso.

#### Montaje del tubo del chasis del asiento para el ajuste de la altura



1. Saque de la bolsa los clips ⑥ que se incluyen.
2. Coloque el chasis del asiento sobre su lateral.

#### ! IMPORTANTE

- Presione la pieza lateral de forma uniforme sobre el chasis y no la gire.
- Fije la pieza lateral a la misma altura, delantera y trasera.

3. Presione la pieza lateral ① con las guías para los reposapiés ④ hacia delante en el chasis del asiento ②.
4. Haga coincidir los soportes de los clips ⑤ de la parte delantera y trasera de la pieza lateral con un orificio del chasis del asiento ③.
5. Introduzca los clips ⑥ desde fuera en la pieza lateral hasta que los dos extremos ⑦ rodeen el tubo del chasis del asiento ②.

#### ! IMPORTANTE

- Compruebe que las piezas laterales izquierda y derecha están situadas a la misma altura.

6. Gire el chasis del asiento y repita el procedimiento para la segunda pieza lateral.
7. Coloque el chasis del asiento con las piezas laterales montadas sobre sus ruedas.

### Ajuste de la altura del asiento

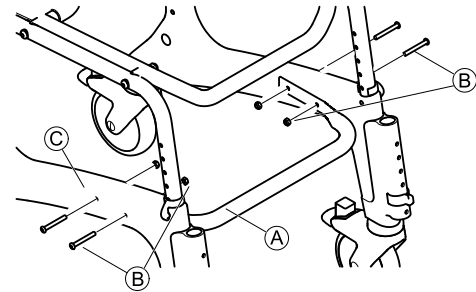


#### ¡ADVERTENCIA!

- La altura del asiento debe ajustarse para que se adapte al usuario. Como norma general, la altura del asiento estará ajustada correctamente cuando el usuario se siente en el inodoro y ambos pies toquen el suelo.
- La altura del asiento debe ajustarse a la misma altura en ambos lados.
- No ajuste la altura del asiento mientras haya alguien sentado en la silla de ducha e inodoro.

1. Levante ligeramente la silla de ducha e inodoro de un lado agarrándola del chasis del asiento ⑥.
2. Quite los dos clips ⑦ de este lateral.
3. Tire del chasis del asiento para sacarlo de la pieza lateral ① o presiónelo dentro de la pieza lateral para ajustar la altura del asiento.
4. Vuelva a insertar totalmente los dos clips.
5. Repita los pasos del 1 al 4 en el otro lado.

### Montaje del tubo de estabilización de la base (solo Ocean XL)



1. Monte el tubo de estabilización de la base ① utilizando los tornillos y las tuercas ② suministrados entre las piezas laterales ③.

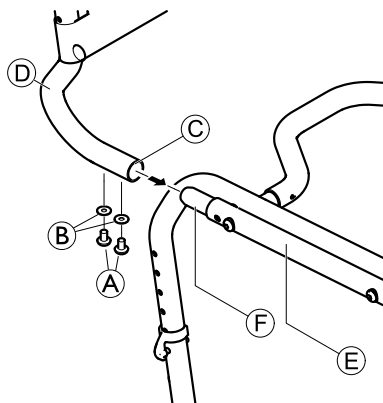
### Montaje del respaldo

1. Empuje hacia abajo las cuatro lengüetas de las ruedas para bloquearlas.



#### ¡IMPORTANTE

- Asegúrese de que los reposabrazos se encuentran orientados hacia delante cuando están plegados.



2.

Inserte el respaldo ④ desde detrás en el chasis del asiento ⑤, hasta que la parte curva ③ toque el tubo del chasis del asiento ⑥.

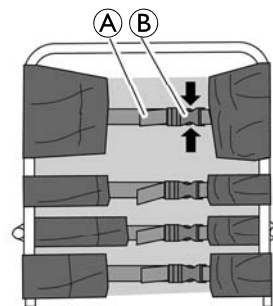
### ! IMPORTANTE

- Apriete fuerte los tornillos con la llave Allen suministrada.
- Compruebe periódicamente los tornillos para asegurarse de que están bien apretados.

3. Coloque una arandela ② en cada tornillo ① y fije ambos lados del respaldo.
4. Apriete los tornillos con un par de torsión de 5 Nm.

### Ajuste de la funda del respaldo

La tensión del respaldo se puede ajustar según se desee.



### ¡ADVERTENCIA!

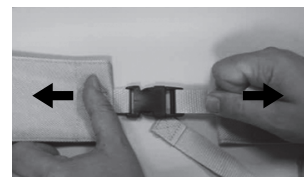
– Asegúrese de que se pasan al menos dos cinturones por el chasis del respaldo (en la parte exterior) y de que los cierres de los cinturones están cerrados.

Para tensar:

1. Apriete los cinturones ① de la funda del respaldo.

Para aflojar la tensión:

1. Abra las hebillas ② presionando los salientes de sujeción (flechas).
2. Afloje un poco los cinturones a través de la hebilla.
3. Cierre las hebillas de los cinturones.
4. Vuelva a apretar suavemente los cinturones.





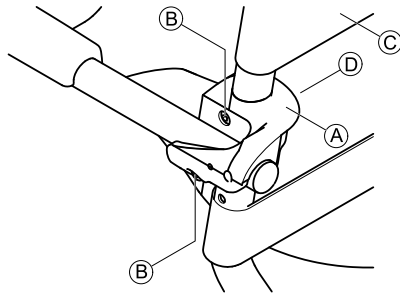
### ¡ADVERTENCIA!

#### Riesgo de lesiones causadas por hebillas del respaldo en mal estado

Compruebe que las hebillas del respaldo estén bien sujetas, siempre que proceda al mantenimiento o reacondicionamiento del producto.

- Compruebe que todos los clips de las hebillas estén bien sujetos cerrando las hebillas y tirando de ambos extremos.
- Sustituya el respaldo o las hebillas del respaldo si se abre una hebilla debido a la fuerza aplicada.

### Ajuste de la altura de los reposabrazos



### ¡ IMPORTANTE

- Ajuste la altura de los reposabrazos para adaptarla al usuario.
- Cambie la altura de los reposabrazos al mismo nivel en ambos lados.
- Ajuste la altura de los reposabrazos derecho e izquierdo de la misma forma.

1. En la funda del respaldo, abra la hebilla del cinturón que pasa por el interior del chasis del respaldo.
2. En la funda del respaldo, abra la hebilla del cinturón © que va por encima del reposabrazos.
3. Pase este cinturón por el interior del chasis del respaldo y vuelva a cerrarlo.



Las tuercas están flojas dentro de la abrazadera de sujeción y pueden caerse.

4. Desatornille los tornillos © del soporte de reposabrazos © utilizando la llave Allen suministrada.
5. Quite la abrazadera de sujeción © con las tuercas desde el interior del chasis del respaldo.
6. Quite el soporte del respaldo © con el reposabrazos y muévelo hacia arriba.



El orificio más pequeño sirve para fijar la abrazadera de sujeción.

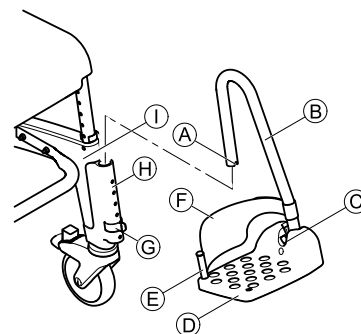
7. Inserte los tornillos en el soporte de reposabrazos y páselos por los orificios del chasis del respaldo.
8. Si es preciso, vuelva a colocar las tuercas en la abrazadera de sujeción.

9. Coloque la abrazadera de sujeción en el chasis del respaldo de tal forma que la abrazadera de sujeción sobresalga dentro del orificio más pequeño.
10. Gire los tornillos en las tuercas y apriete.
11. Pase el cinturón de la funda del respaldo que sigue abierto por la parte exterior del chasis del respaldo y cierre y apriete todos los cinturones.


### ! IMPORTANTE

- Los reposabrazos se bajan con el mismo procedimiento.
- Al pasar a la posición más baja, el cinturón que está debajo del reposabrazos deberá abrirse y pasarse por dentro del chasis del respaldo.

## Montaje de los reposapiés



1. Empuje el reposapiés **B** con la paleta del reposapiés **D** e introdúzcalo en la guía **H** de la parte delantera de la pieza lateral **I** hasta que la ranura **A** encaje con el pasador del clip **G**. El reposapiés ya no podrá girar hacia el lateral.

 El procedimiento de montaje es igual para ambos reposapiés derecho e izquierdo.

### Ajuste de la altura de los reposapiés.

1. Tire del reposapiés **B** ligeramente hacia arriba.
2. Tire del clip **C** para sacarlo y vuelva a colocarlo en la posición necesaria. Tire del reposapiés un poco más hacia fuera si es necesario.
3. Presione el reposapiés hacia abajo hasta que la ranura **A** encaje en el pasador del clip.
4. Ajuste el otro reposapiés a la misma altura según se ha descrito.

### Ajuste de la inclinación de las paletas de los reposapiés

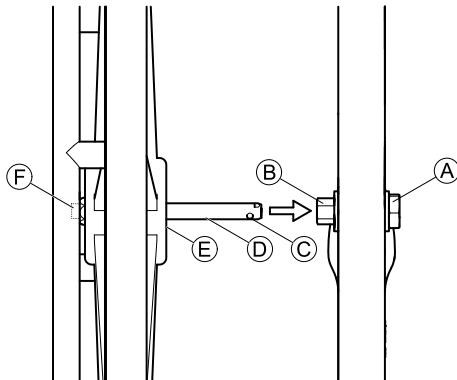


**!** **IMPORTANTE**

- La inclinación de las paletas de los reposapiés se puede ajustar de muchas formas.
- Asegúrese de que las paletas de los reposapiés izquierdo y derecho se ajustan de la misma manera.

1. Afloje el tornillo Allen © de la paleta del reposapiés con una llave Allen tamaño 4.
2. Gire la paleta del reposapiés ⓓ hasta la posición deseada.
3. Vuelva a apretar el tornillo Allen.

**Montaje/desmontaje de las ruedas autopropulsadas (opcionales)**



**!** **IMPORTANTE**

- Cuando se montan las ruedas autopropulsadas, las ruedas traseras deben permanecer bloqueadas.
- El montaje se realiza del mismo modo para las dos ruedas autopropulsadas derecha e izquierda.
- La instalación de los cubos y los frenos de estacionamiento de las ruedas autopropulsadas debe realizarla un técnico cualificado. El montaje se describe en las instrucciones de montaje "Montaje de cubos y frenos para ruedas Aquatec® Ocean de 24 pulgadas".

1. Alinee las cuatro ruedas en la dirección de la marcha.
2. Bloquee todas las ruedas.
3. Presione el eje ⓓ de la rueda autopropulsada hacia dentro. (Los aros de propulsión sobresalen hacia afuera).
4. Mantenga presionado el botón ⓕ situado en el exterior del eje. De este modo, se liberarán las bolas de sujeción © del extremo del eje.
5. Levante un poco la silla de ducha e inodoro.
6. Introduzca el eje en el cubo ⓑ y presione la rueda autopropulsada sobre el eje hasta que llegue al tope ⓔ.
7. Suelte el botón ⓕ.
8. Presione hacia afuera las bolas de sujeción de tal forma que queden detrás de la tuerca hexagonal ⓐ.

Para desmontar las ruedas, siga el mismo procedimiento en el orden inverso.

### 4.3 Accesorios (opcionales)



**¡ADVERTENCIA!**

**Riesgo de lesiones**

- El montaje de los accesorios (opcional) debe llevarse a cabo según las instrucciones correspondientes.

## 5 Utilización

### 5.1 Información sobre seguridad



#### ¡ADVERTENCIA!

- Utilice la silla de ducha e inodoro únicamente sobre una superficie plana y en interiores.
- Tenga en cuenta las especificaciones de la etiqueta de identificación. No sobrecargue la silla de ducha e inodoro.
- No coloque un peso excesivo sobre la silla de ducha e inodoro.
- Antes de utilizar el producto, realice siempre una inspección visual del mismo para detectar posibles daños externos.



#### ¡ADVERTENCIA!

##### Riesgo de deslizamiento y vuelco

- Antes de usar la silla, compruebe que el asiento está bien fijado a su chasis.
- Bloquee todas las ruedas con las lengüetas azules de pie antes de sentarse en la silla de ducha e inodoro o de levantarse de ella, y también en la posición de estacionamiento.
- Aplique el freno de estacionamiento cuando estén montadas las ruedas autopropulsadas (opcionales).



#### ¡ADVERTENCIA!

##### Riesgo de volcar

- Gire los reposapiés hacia el lateral o pliegue hacia arriba las paletas de los reposapiés antes de sentarse o de levantarse.
- Antes de sentarse o de levantarse, gire las ruedas delanteras de tal forma que el bloqueo quede orientado hacia delante.
- Nunca se ponga de pie sobre los reposapiés.
- No se incline demasiado hacia delante.



#### ¡ADVERTENCIA!

##### Riesgo de volcar hacia delante

- Se dispone de dispositivos antivuelco frontales (referencia 1535936) para evitar que la silla de ducha e inodoro vuelque hacia delante.



#### ¡ADVERTENCIA!

##### Riesgo de volcar

- La silla de ducha e inodoro solo se debe desplazar por medio de la barra de empuje o de las ruedas autopropulsadas (opcionales).



#### ¡PRECAUCIÓN!

##### Riesgo de quemaduras en la piel

- Los componentes del producto pueden calentarse si se exponen a fuentes de calor externas.
- No exponga el producto a la luz solar intensa antes de utilizarlo.
  - Deje que el producto alcance la temperatura ambiente antes de utilizarlo.



### ¡PRECAUCIÓN!

#### Riesgo de atrapamiento

- Cuando utilice las ruedas autopropulsadas (opcionales), no meta los dedos entre los radios o las ruedas y el chasis del asiento con la silla en movimiento.



### ¡IMPORTANTE!

#### Riesgo de dañar el producto

- No levante la silla de ducha e inodoro por los reposapiés.

## 5.2 Uso de la silla de ducha e inodoro

### Giro de los reposabrazos

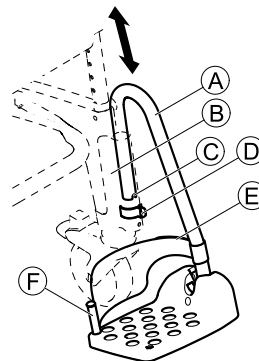


### ¡PRECAUCIÓN!

#### Riesgo de pillarse los dedos en el mecanismo de plegado

- No meta los dedos en la junta articulada al plegar los reposabrazos hacia arriba o hacia abajo.
- No meta los dedos entre el reposabrazos y el respaldo al plegar los reposabrazos.
- Compruebe que ninguna pieza se queda pillada.

### Giro de los reposapiés



#### Posición de subida/posición de bajada:

1. Tire del reposapiés **A** por la guía **B** ligeramente hacia arriba hasta que la ranura **C** ya no encaje en el pasador del clip **D**.
2. Gire el reposapiés hacia el lateral.

#### Posición de marcha:



### ¡PRECAUCIÓN!

#### Riesgo de accidente debido a reposapiés sueltos

- Fije los reposapiés en la posición de marcha.

1. Gire el reposapiés **A** hacia adentro.
2. Presione el reposapiés hacia abajo hasta que la ranura **C** encaje en el pasador del clip **D**.

### Desmontaje/montaje de la correa para el talón

1. Abra el cierre de Velcro® (E) de la correa para el talón.
2. Quite el tornillo (F) de la parte inferior de la paleta del reposapiés.
3. Retire la correa para el talón del pasador de plástico flexible.



Para montar la correa, siga el mismo procedimiento en el orden inverso.



#### ¡IMPORTANTE

– Al instalarla, compruebe que la tira de Velcro® de la correa para el talón queda orientada hacia atrás.

### Retirada/montaje de la placa del asiento

#### Retirada:

1. Tire de la placa del asiento hacia arriba por los dos lados.

#### Montaje:



#### ¡PRECAUCIÓN!

##### Riesgo de atrapamiento de los dedos

– No meta los dedos entre la superficie del asiento y el chasis del asiento al presionar sobre la placa del asiento.

1. Coloque la placa del asiento sobre el chasis del asiento con la entalladura hacia delante.
2. Deslice la placa del asiento hacia atrás todo lo que se pueda.
3. Con la palma de la mano, presione la placa del asiento en los laterales y después por delante y por detrás hasta que esta encaje en el chasis del asiento.

## 6 Transporte

### 6.1 Información sobre seguridad



El producto puede desmontarse para su transporte en las piezas que se suministran en la entrega; consulte el capítulo 3.1 *Información general, página 106*

1. Desmonte el producto; consulte el capítulo 4.2 *Montaje de la silla de ducha e inodoro, página 108* siguiendo los pasos de montaje en el orden inverso.



#### **IMPORTANTE**

- **Riesgo de dañar el producto**
  - Transporte el producto en una zona seca.
  - No exponga el producto a la luz solar directa.
  - Consulte las condiciones de envío y almacenamiento en el capítulo 10.3 *Parámetros medioambientales, página 124*



#### **IMPORTANTE**

- - Se utilizan tornillos de seguridad, tuercas o adhesivo de bloqueo de roscas para varias conexiones. Si estos se aflojan, deberán sustituirse por nuevos tornillos de seguridad o tuercas, o deberán fijarse con nuevo adhesivo de bloqueo.

## 7 Mantenimiento

### 7.1 Mantenimiento y revisión

Si se siguen las indicaciones de limpieza y seguridad proporcionadas, el producto no necesitará mantenimiento.

- Compruebe con regularidad que el producto y los accesorios no estén dañados y asegúrese de que están montados de forma segura.
- En caso de daños o reparaciones, póngase en contacto inmediatamente con su proveedor.

### 7.2 Limpieza y desinfección

El producto puede limpiarse y desinfectarse con productos disponibles en el mercado.

#### ! IMPORTANTE

Como el cuarto de baño y el inodoro son espacios delicados, la higiene resulta especialmente importante.

- Limpie el producto con regularidad para mantenerlo siempre limpio.

1. Desinfecte el producto limpiando todas las superficies accesibles con desinfectante (después de desmontarlo, si es posible).

#### ! IMPORTANTE

Todos los productos de limpieza y desinfectantes empleados deben ser eficaces, compatibles entre sí y deben proteger los materiales que se van a limpiar. Para obtener más información sobre la descontaminación en entornos sanitarios, consulte las directrices de "The National Institute for Clinical Excellence" sobre control de infecciones ([www.nice.org.uk/CG139](http://www.nice.org.uk/CG139)), así como su política local sobre control de infecciones.

- Limpie el producto a mano o en un autoclave.
- No lo limpie con productos abrasivos.

#### Limpieza en un entorno doméstico


#### ! IMPORTANTE

Riesgo de dañar el producto

- No desmonte los soportes para los accesorios.

1. Quite los accesorios instalados.
2. Saque los reposapiés de las guías.
3. Quite la placa del asiento y la funda del respaldo.
4. Quite las piezas laterales.
5. Vuelva a colocar inmediatamente los clips en el chasis del asiento para que no se pierdan.
6. Limpie las piezas individuales con un paño o cepillo, y con productos de limpieza o desinfección disponibles en el mercado.
7. Enjuague las piezas con agua templada.
8. Seque las piezas con un paño.
9. Vuelva a montar el producto, consulte el capítulo 4: Instalación.

## Limpieza en un entorno clínico

 Además del procedimiento de limpieza descrito anteriormente, limpie el producto después de que finalice el uso por parte de un paciente o, como mínimo, una vez al mes (lo que ocurra primero) a 85 °C durante 3 minutos en el autoclave.



### ¡PRECAUCIÓN!

#### Riesgo de quemaduras en la piel

– Deje que el producto se enfríe tras limpiarlo en el autoclave.

## Limpieza de la funda del respaldo (opcional)

1. Quite la funda del respaldo.
2. Lave la funda en la lavadora a una temperatura máxima de 60 °C con un detergente suave.



### ¡IMPORTANTE

#### Riesgo de daños

– El lavado a temperaturas más altas puede provocar que la funda encoja.  
– No se deben secar las fundas en la secadora.



### ¡IMPORTANTE

Una limpieza excesiva puede dañar el tejido.  
– Se recomienda el cambio de la funda del respaldo cada dos años por razones higiénicas.

## Limpieza de la cubeta inodora (opcional)

La cubeta inodora puede limpiarse en autoclave a las temperaturas y durante los períodos siguientes:

- A 90 °C durante 1 minuto
- A 85 °C durante 3 minutos
- A 80 °C durante 10 minutos.

## 7.3 Cambio de las ruedas



### ¡ADVERTENCIA!

#### Riesgo de accidente debido a un mal montaje de las ruedas.

– Un distribuidor especialista debe sustituir las ruedas.



---

## 8 Después del uso

---

### 8.1 Almacenamiento

**IMPORTANTE****Riesgo de dañar el producto**

- Guarde el producto en una zona seca.
- No guarde el producto cerca de fuentes de calor.
- No exponga el producto a la luz solar directa.
- Consulte las condiciones de envío y almacenamiento en el capítulo *10.3 Parámetros medioambientales*, página 124

### 8.2 Reutilización

El producto se puede reutilizar. El número de veces que se puede reutilizar dependerá de la frecuencia y modo con que se haya utilizado el producto. Antes de volver a utilizarlo, limpie y desinfecte a fondo el producto (→ *7.2 Limpieza y desinfección*, página 119). A continuación, compruebe las funciones de seguridad y, si es necesario, restablézcalas.

### 8.3 Eliminación

La eliminación y reciclaje de los dispositivos utilizados y de los embalajes deben cumplir con la normativa legal aplicable.

Consulte al fabricante para obtener detalles sobre el procedimiento de eliminación correcto y completo.

## 9 Solución de problemas

### 9.1 Identificación y reparación de fallos

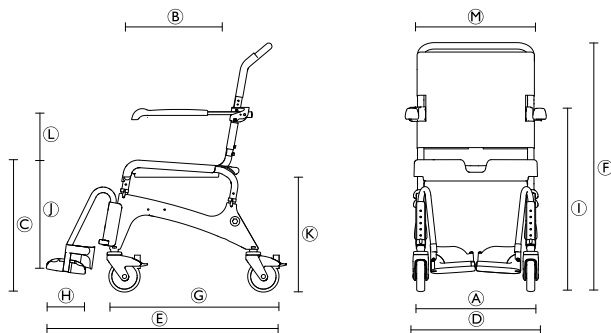


En la siguiente tabla se incluye información sobre fallos de funcionamiento y sus posibles causas. Si no puede corregir el fallo de funcionamiento con las soluciones indicadas, póngase en contacto directamente con su distribuidor especialista.

Fallo	Posible causa	Solución
Dificultad a la hora de ajustar la altura del asiento	Suciedad entre el chasis del asiento y la sección lateral	Desmonte el producto en las piezas que se envían originalmente y límpielas bien.
Las ruedas giran con dificultad o no giran	Hay suciedad acumulada entre la horquilla y la llanta	Limpie a fondo las ruedas.
Dificultad a la hora de empujar los reposapiés hacia el lateral	Depósitos en las guías	Limpie a fondo los reposapiés y las guías.
El freno de estacionamiento de las ruedas autopropulsadas (opcionales) no embraga	Freno de estacionamiento mal ajustado	El freno de estacionamiento deberá ajustarlo un técnico cualificado.

## 10 Datos Técnicos

### 10.1 Dimensiones y peso



(A)	Anchura del asiento	480 mm
(B)	Profundidad del asiento	450 mm
(C)	Altura del asiento	De 475 mm a 600 mm
(D)	Anchura total (Ocean) Anchura total (Ocean XL) Anchura total con ruedas autopropulsadas	560 mm 640 mm 675 mm
(E)	Profundidad total Profundidad total con ruedas autopropulsadas	900 mm 1060 mm
(F)	Altura total	De 964 mm a 1094 mm

(G)	Profundidad sin reposapiés	700 mm
(H)	Profundidad de la paleta del reposapiés	160 mm
(I)	Altura hasta los reposabrazos	De 680 mm a 850 mm
(J)	Altura desde el reposapiés hasta el asiento	De 255 mm a 495 mm
(K)	Distancia mínima entre el suelo y el soporte para la estructura de inodoro	aprox. 408 mm
	Anchura mínima entre las piezas laterales	aprox. 381 mm
	Peso del producto	aprox. 15 kg
	Anchura del producto con ruedas autopropulsadas	aprox. 19,5 kg
	Peso máximo del usuario (Ocean)	150 kg
	Peso máximo del usuario (Ocean XL)	180 kg

### 10.2 Materiales

Chasis	Acero inoxidable con recubrimiento en polvo
Placa del asiento	Polipropileno
Funda del respaldo	Nailon, revestimiento de PVC

Reposapiés/piezas laterales	Polipropileno, reforzado con fibra de vidrio
Almohadillas de los reposabrazos	Polipropileno
Ruedas	Plásticos y acero inoxidable
Superficie de rodadura de ruedas de 24"	PUR

Todos los componentes del producto son resistentes a la corrosión y no contienen látex de caucho natural.

### 10.3 Parámetros medioambientales

<b>Condiciones de funcionamiento</b>	
Temperatura ambiente	De 10 a 65 °C
Humedad relativa	Del 15 % al 93 % sin condensación
Presión atmosférica	De 795 a 1060 hPa
<b>Condiciones de envío y almacenamiento</b>	
Temperatura ambiente	De 0 a 40 °C
Humedad relativa	Del 30 % al 75 % sin condensación
Presión atmosférica	De 795 a 1060 hPa

---

# Índice

---

Este manual TEM de ser fornecido ao utilizador do produto. ANTES de utilizar este produto, leia este manual e guarde-o para futuras consultas.

<b>1 Geral</b>	<b>.126</b>
1.1	Informações gerais . . . . .126
1.2	Símbolos utilizados neste manual de utilização. . . . .126
1.3	Garantia . . . . .126
1.4	Conformidade . . . . .126
1.5	Utilização prevista . . . . .127
1.6	Vida útil . . . . .127
<b>2 Segurança</b>	<b>.128</b>
2.1	Informações de segurança . . . . .128
2.2	Rótulos e símbolos no produto . . . . .128
<b>3 Componentes.</b>	<b>.130</b>
3.1	Descrição geral . . . . .130
<b>4 Configuração</b>	<b>.132</b>
4.1	Informações de segurança . . . . .132
4.2	Montagem da cadeira de duche e sanitária . . . . .132
4.3	Acessórios (opcionais) . . . . .138
<b>5 Utilização.</b>	<b>.139</b>
5.1	Informações de segurança . . . . .139
5.2	Utilizar a cadeira de duche e sanitária . . . . .140
<b>6 Transporte</b>	<b>.142</b>
6.1	Informações de segurança . . . . .142
<b>7 Manutenção.</b>	<b>.143</b>
7.1	Manutenção e inspeção. . . . .143
7.2	Limpeza e desinfecção . . . . .143
7.3	Substituição das rodas dianteiras . . . . .144
<b>8 Após a utilização</b>	<b>.145</b>
8.1	Armazenamento . . . . .145

8.2	Reutilização. . . . .145
8.3	Eliminação . . . . .145
<b>9 Resolução de problemas</b>	<b>.146</b>
9.1	Identificar e reparar falhas. . . . .146
<b>10 Características Técnicas.</b>	<b>.147</b>
10.1	Dimensões e peso. . . . .147
10.2	Materiais. . . . .147
10.3	Parâmetros ambientais . . . . .148

# 1 Geral

## 1.1 Informações gerais

Este Manual de Utilização contém informações importantes sobre a utilização do produto. Para garantir a segurança durante a utilização do produto, leia atentamente o Manual de Utilização e siga as informações de segurança.

Se tiver limitações ao nível da visão, pode consultar o manual de utilização na Internet (facultado em formato de ficheiro PDF) e ampliá-lo no ecrã à medida das suas necessidades. Se não conseguir ampliar o texto e os gráficos de forma suficiente, contacte o distribuidor da Invacare® no seu país. Para obter as moradas, consulte a contracapa deste manual. Se necessário, podemos facultar um ficheiro PDF de alta resolução do manual de utilização.

## 1.2 Símbolos utilizados neste manual de utilização

Neste manual de utilização as advertências estão assinaladas com símbolos. O título junto ao símbolo de advertência indica o nível de perigo.



### ADVERTÊNCIA

Indica uma situação perigosa que pode levar a morte ou lesões graves, caso não seja evitada.



### ATENÇÃO

Indica uma situação perigosa que pode levar a ferimentos ligeiros, caso não seja evitada.



### IMPORTANTE

Indica uma situação perigosa que pode levar a danos, caso não seja evitada.



Sugestões, recomendações e informações úteis para assegurar um funcionamento eficiente e sem problemas.



Este produto está em conformidade com a directiva 93/42/CEE sobre produtos médicos. A data de lançamento deste produto está especificada na declaração de conformidade da CE.



Fabricante

## 1.3 Garantia

Facultamos uma garantia de fabrico para o produto, em conformidade com os nossos Termos e Condições Gerais de Compra nos respectivos países. As reclamações de garantia só podem ser realizadas através do fornecedor ao qual o aparelho foi adquirido.

## 1.4 Conformidade

A qualidade tem uma importância capital para a nossa empresa; todos os processos seguem a norma ISO 13485.

Este produto apresenta a marca CE, em conformidade com a Diretiva dos Dispositivos Médicos 93/42/CEE de Classe 1.

A Invacare tem empreendido um esforço contínuo para reduzir ao mínimo o impacto local e global da empresa no ambiente.

- Apenas utilizamos materiais e componentes que cumprem a diretiva REACH.

Para obter mais informações, contacte a Invacare no seu país (as moradas são indicadas no fim deste documento).

## 1.5 Utilização prevista

A cadeira de duche e sanitária foi concebida exclusivamente como apoio para o banho de chuveiro ou imersão, para uso da sanita, para utilização durante a higiene pessoal (ou seja, em frente ao lavatório) ou para transferência de pacientes dentro de casa. Destina-se a ser utilizada por um paciente adulto, com ou sem assistência do prestador de cuidados, que tem:

- Dificuldades em manter-se de pé ou conservar o equilíbrio
- Pernas frágeis ou invalidez dos membros inferiores
- Problemas clínicos que interferem com o equilíbrio

Este produto destina-se a utilização em instituições e residências de particulares. Qualquer outra utilização está interdita.



### **ADVERTÊNCIA!**

#### **Risco de lesão**

- Nunca utilize o produto como um acessório para entrar e sair de uma banheira, para subir ou descer, nem como apoio para fins semelhantes.
- Não utilize o produto no exterior.

Como cadeira sanitária, o produto pode ser utilizado sobre uma sanita comum ou de forma independente com o painel da sanita (opcional).

A cadeira de duche e sanitária só pode ser utilizada como banco de banho numa piscina, se a piscina não contiver água salgada e se houver um assistente sempre presente.

Temperatura de utilização: 10 - 65 °C

## 1.6 Vida útil

Calculamos que estes produtos tenham uma vida útil de cinco anos, desde que sejam utilizados estritamente de acordo com a utilização prevista, tal como definida neste documento, e cumprindo-se todos os requisitos de manutenção e assistência. A expectativa de vida útil calculada pode ser ultrapassada se o produto for utilizado com cuidado e devidamente conservado, e desde que os progressos técnicos e científicos não resultem em limitações técnicas. A expectativa de vida útil pode também ser reduzida consideravelmente por uma utilização extrema ou incorrecta. O facto de calcularmos uma expectativa de vida útil para estes produtos não constitui uma garantia adicional.

## 2 Segurança

### 2.1 Informações de segurança



#### ADVERTÊNCIA!

- Não utilize este produto ou qualquer equipamento opcional disponível sem primeiro ler e compreender estas instruções e todo o material de instrução adicional, assim como os manuais de utilização, os manuais de assistência ou os folhetos de instruções fornecidos com este produto ou com equipamento opcional. Os manuais de produto da Invacare estão disponíveis na Internet ou através do seu revendedor local (endereços na contracapa deste manual).
- Se não compreender as advertências, avisos ou instruções, contacte um profissional de cuidados de saúde, o fornecedor ou a equipa técnica antes de tentar utilizar este equipamento – caso contrário, podem ocorrer lesões ou danos.



#### ADVERTÊNCIA!

##### Risco de lesão

- Não se coloque de pé em cima do produto.
- Não utilizar como auxiliador de escalada.
- Não o utilize no exterior.



#### ADVERTÊNCIA!

##### Risco de lesão

- Não utilizar se apresentar defeitos.
- No caso de avaria, contacte imediatamente o seu fornecedor.
- Não faça quaisquer modificações ou alterações não autorizadas ao produto.
- Utilize apenas acessórios fabricados para este produto.



#### IMPORTANTE!

As informações neste documento podem ser alteradas sem aviso prévio.

### 2.2 Rótulos e símbolos no produto

#### Placa de características

A placa de características contém informações importantes:

The label contains the following information:

- Brand and Model:** AQUATEC® OCEAN (XL)
- Manufacturer:** AQUATEC Operations GmbH, Alemannenstrasse 10, 88316 Isny - Germany
- Weight:** 150 kg (XL 180 kg)
- Barcode 1:** 4 028698 113204
- Barcode 2:** (01) 04028698113204 (21) 15CEC010001 (0X)
- SN (Serial Number):** 15CEC010001 (0X)
- CE Marking:** CE
- Year of Manufacture:** 2014, 2015, 2016
- Production Line:** 1 2 3 4 5 6, 7 8 9 10 11 12
- Symbols:** Information icon (i), No climbing icon, and a triangle with a slash.

Labels A through G point to specific features on the label:

- A:** CE Marking
- B:** SN (Serial Number)
- C:** Weight (150 kg)
- D:** Weight (XL 180 kg)
- E:** Information icon (i)
- F:** No climbing icon
- G:** Manufacturer information
- H:** Year of manufacture and production line



Ⓐ	Marca de conformidade
Ⓑ	Número de série
Ⓒ	Peso máximo do utilizador
Ⓓ	Nota (utilizar apenas em superfícies planas)
Ⓔ	Ler o manual de utilização
Ⓕ	Designação do produto
Ⓖ	Morada do fabricante
Ⓗ	Data de fabrico

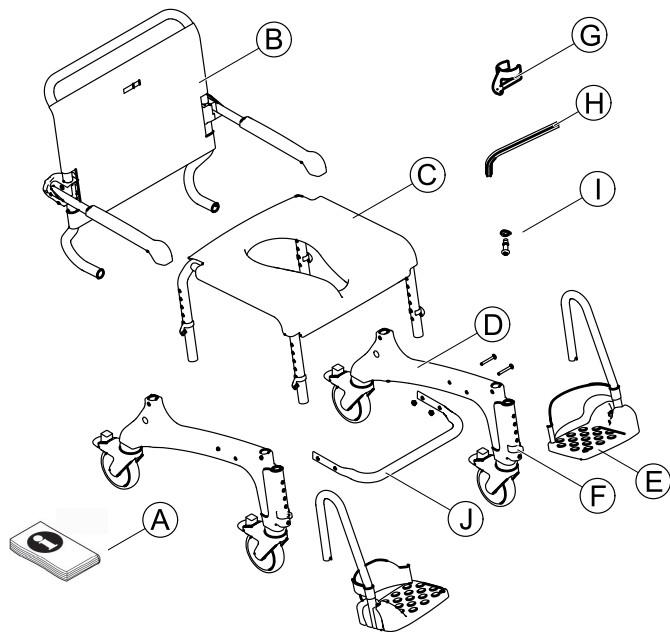


A placa de características encontra-se fixada no interior da secção lateral direita.

## 3 Componentes

### 3.1 Descrição geral

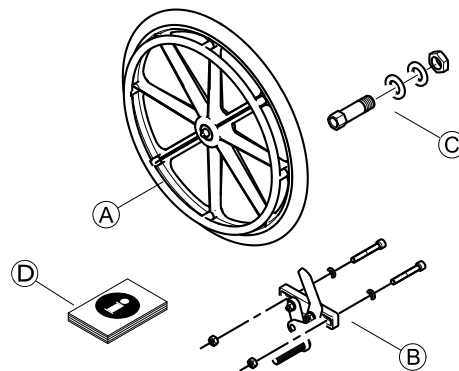
Os seguintes componentes são incluídos no âmbito da entrega:



(A)	Manual de utilização
(B)	Encosto com tela de encosto e apoios de braços

(C)	Estrutura de assento com placa de assento
(D)	Laterais da estrutura com rodas (2 x)
(E)	Apoios de pés com calcanheira (2 x)
(F)	Grampos (2 x) para o apoio de pés (inserido)
(G)	Grampos (4 x) para a estrutura de assento
(H)	Chave Allen AF 4
(I)	Parafusos (4 x) e anilhas (4 x)
(J)	Tubo de estabilização de base com parafusos (4 x) e porcas (4 x) - Apenas Ocean XL

As seguintes peças são incluídas no âmbito de entrega das rodas autopropulsoras com travão de estacionamento:



Ⓐ	Rodas autopropulsoras (2 x)
Ⓑ	Travões de estacionamento (2 x)
Ⓒ	Cubos incl. eixos (2 x)



Tenha em atenção a mudança nas dimensões ao encaixar as rodas autopropulsoras. Para obter detalhes, consulte o capítulo Dados técnicos.

## 4 Configuração

### 4.1 Informações de segurança



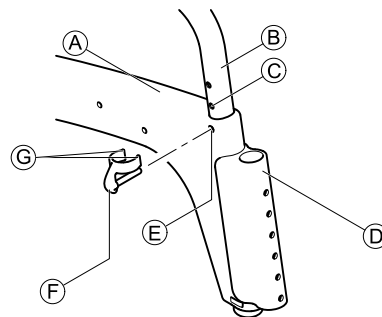
#### ADVERTÊNCIA!

- Verifique se as peças foram danificadas durante o transporte e, se necessário, contacte o fornecedor.
- Durante a montagem, assegure que as peças estão posicionadas corretamente em relação umas às outras.
- São utilizados para várias ligações, parafusos e porcas de bloqueio automático ou adesivos de bloqueio de rosca. Se estes tiverem soltos, deverão ser substituídos por novos parafusos ou porcas de bloqueio automático, ou deverão ser fixados utilizando novo adesivo de bloqueio de rosca.

### 4.2 Montagem da cadeira de duche e sanitária

Esta secção descreve a montagem. A desmontagem funciona da forma inversa.

#### Instalar o tubo da estrutura de assento para ajuste da altura



1. Retire os grampos ⑥ incluídos do saco.
2. Coloque a estrutura de assento de lado.



#### IMPORTANTE

- Empurre a secção lateral de forma equilibrada para o chassis e não a gire.
- Fixe a secção lateral à mesma altura, tanto à frente como atrás.

3. Empurre para a frente a peça lateral ① com as calhas para os apoios dos pés ④ na estrutura de assento ②.
4. Alinhe os encaixes dos grampos ⑤ na parte da frente e de trás da secção lateral com um orifício na estrutura de assento ③.
5. Insira os grampos ⑥ do exterior para a secção lateral até que as extremidades ⑦ rodeiem o tubo da estrutura de assento ②.



#### IMPORTANTE

- Assegure que as peças laterais esquerda e direita estão ajustadas à mesma altura.

- Rode a estrutura de assento e repita o procedimento na segunda secção lateral.
- Coloque a estrutura de assento com as secções laterais encaixadas nas respetivas rodas.

### Ajustar a altura do assento

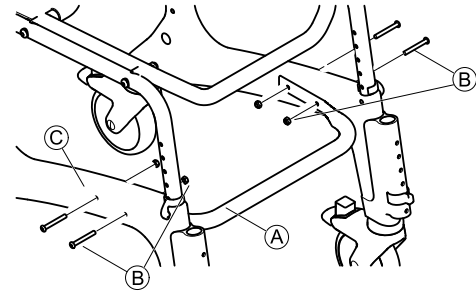


#### ADVERTÊNCIA!

- A altura do assento tem de ser adaptada ao utilizador. Regra geral, a altura do assento está corretamente ajustada quando o utilizador está sentado na sanita e ambos os seus pés tocam no chão.
- A altura do assento tem de ser adaptada de forma igual para ambos os lados.
- Não ajuste a altura do assento quando alguém está sentado na cadeira de duche e sanitária.

- Levante ligeiramente um dos lados da cadeira de duche e sanitária, segurando na mesma pela estrutura de assento ⑥.
- Retire os dois grampos ⑤ deste lado.
- Puxe a estrutura de assento, na direção exterior à secção lateral ④ ou empurre-a para dentro da secção lateral para ajustar a altura do assento.
- Volte a pressionar completamente os dois grampos.
- Repita os passos 1 – 4 do outro lado.

### Instalar o tubo de estabilização de base (apenas para o modelo Ocean XL)



- Ajuste o tubo de estabilização da base ① utilizando os parafusos e porcas ② fornecidos entre as peças laterais ③.

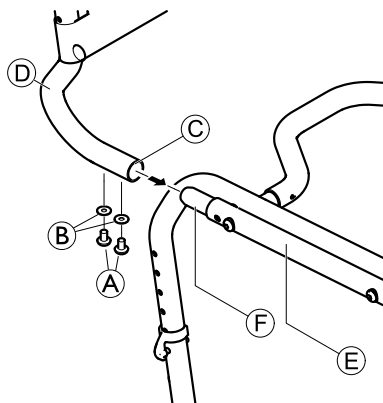
### Instalar o encosto

- Empurre os quatro pedais dos rodízios para baixo para os bloquear.



#### IMPORTANTE!

- Certifique-se que os apoios de braços estão voltados para a frente quando estiverem dobrados para cima.



2.

Insira o encosto ④ na estrutura de assento por trás ⑤, até que a flange ③ fique encostada ao tubo da estrutura de assento ⑥.

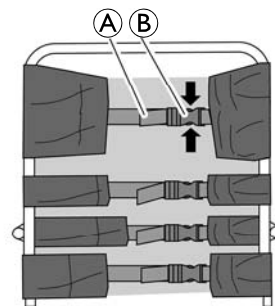
### ! IMPORTANTE!

- Aperte com firmeza os parafusos, utilizando a chave Allen facultada.
- Verifique regularmente os parafusos para assegurar que estão encaixados com segurança.

3. Posicione uma anilha ② em cada parafuso ① e fixe o encosto em cada lado.
4. Aperte os parafusos com torque de 5 Nm.

### Ajustar a capa do encosto

É possível ajustar a tensão do encosto conforme pretendido.



### ADVERTÊNCIA!

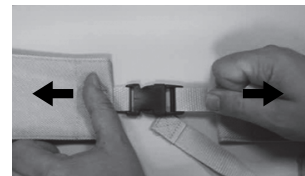
– Certifique-se de que são passados pelo menos dois cintos pela estrutura do encosto (na parte exterior) e que as respectivas fivelas são fechadas.

Apertar:

1. Puxe os cintos ① da capa do encosto para os apertar.

Desapertar:

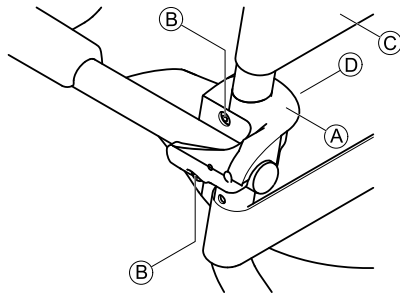
1. Abra as fivelas ② apertando as presilhas de retenção em conjunto (setas).
2. Empurre os cintos ligeiramente através da fivela.
3. Feche as fivelas dos cintos.
4. Volte a apertar os cintos com cuidado.



**ADVERTÊNCIA!****Risco de lesão devido a fivelas do encosto danificadas!**

Verifique se as fivelas do encosto estão fixas de forma segura sempre que o produto for objeto de manutenção ou recondicionamento.

- Verifique se todos os cliques da fivela estão fixos de forma segura, fechando as fivelas e puxando ambas as extremidades.
- Substitua o encosto/as fivelas do encosto se uma fivela se abrir sob a força aplicada.

**Ajustar a altura dos apoios de braços****IMPORTANTE!**

- Ajuste a altura dos apoios de braços da forma mais adequada ao utilizador.
- Coloque a altura dos apoios de braços ao mesmo nível nos dois lados.
- Ajuste a altura dos apoios de braços esquerdo e direito da mesma forma.

1. Na capa do encosto, abra a fivela do cinto que passa pela parte interior da estrutura do encosto.
2. Na capa do encosto, abra a fivela do cinto © que passa por cima do apoio de braço.
3. Passe este cinto pelo interior da estrutura do encosto e volte a fechar.



As porcas estão inseridas de forma solta no grampo de fixação, podendo cair.

4. Desaperte os parafusos ② do suporte do apoio de braço ① utilizando a chave Allen fornecida.
5. Retire o grampo de fixação ④ com as porcas do interior da estrutura do encosto.
6. Retire o suporte do encosto ③ com o apoio de braço e mova-o para cima.



O orifício mais pequeno serve para prender o grampo de fixação.

7. Insira os parafusos no suporte do apoio de braço e oriente-os pelos orifícios na estrutura do encosto.
8. Se necessário, volte a colocar as porcas no grampo de fixação.

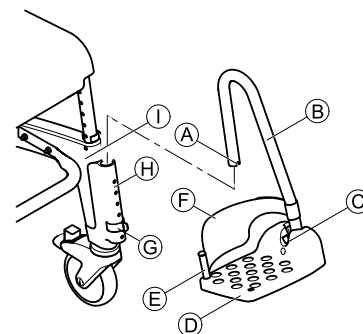
9. Coloque o grampo de fixação na estrutura do encosto de forma a que a peça de fixação deste grampo encaixe no orifício mais pequeno.
10. Rode os parafusos nas porcas e aperte-os.
11. Passe o cinto da capa do encosto que ainda está aberto pelo exterior da estrutura do encosto, feche e aperte todos os cintos.

### ! IMPORTANTE!

Os apoios de braços são baixados utilizando o mesmo procedimento.

- Quando converter para a posição mais baixa, o cinto que está debaixo do apoio de braço deve ser aberto e passado pelo interior da estrutura do encosto.

### Instalar os apoios de pés



1. Empurre o apoio de pés **B** com a placa para os pés **D** para o interior da calha **H** na parte da frente da secção lateral **I** até que a rosca **A** engate no pino do grampo **C**. O apoio de pés deixa de poder ser virado de lado.

**i** O procedimento de montagem é o mesmo para os apoios de pés direito e esquerdo.

### Ajustar a altura dos apoios de pés

1. Puxe o apoio de pés **B** ligeiramente para cima.
2. Puxe o grampo **C** para fora e coloque-o de novo na posição pretendida. Se necessário, puxe o apoio de pés um pouco mais.
3. Empurre o apoio de pés para baixo até a rosca **A** engatar no pino do grampo.
4. Coloque o outro apoio de pés à mesma altura da forma descrita.

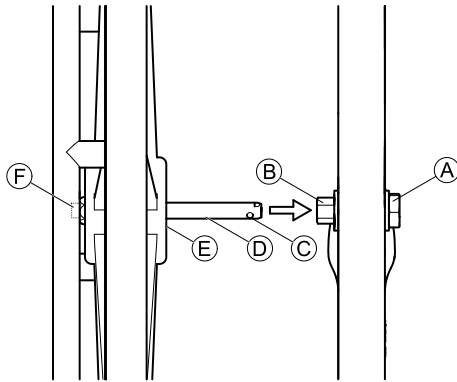
### Ajustar a inclinação das placas de pés



**!** **IMPORTANTE!**

- A inclinação das placas de pés pode ser ajustada de várias formas.
- Certifique-se de que as placas de pés direita e esquerda são ajustadas da mesma forma.

1. Desaperte o parafuso Allen © da placa de pé utilizando uma chave Allen de tamanho 4.
2. Rode a placa de pé ④ para a posição pretendida.
3. Volte a apertar o parafuso Allen.

**Instalar/remove as rodas autopropulsoras (opcional)****!** **IMPORTANTE!**

- Quando as rodas autopropulsoras estiverem encaixadas, as rodas traseiras devem permanecer presas.
- A montagem é a mesma para a roda autopropulsora esquerda e direita.
- Os cubos e os travões de estacionamento das rodas autopropulsoras devem ser encaixados por um técnico qualificado. A montagem é descrita nas instruções de montagem "Montagem dos cubos e os travões para as rodas de 24" do Aquatec®Ocean".

1. Alinhe os quatro rodízios na direção de condução.
2. Bloqueie todos os rodízios.
3. Empurre para dentro o eixo ④ das rodas autopropulsoras. (O aro de mãos fica orientado para fora.)
4. Prima e mantenha premido o botão ⑥ no exterior do eixo. Isto solta as esferas de fixação ③ na extremidade do eixo.
5. Eleve ligeiramente a cadeira de duche e sanitária.
6. Insira o eixo no cubo ② e empurre a roda autopropulsora para o interior do eixo até ao fim ⑤.
7. Solte o botão ⑥.
8. Empurre as esferas de fixação para fora de maneira que fiquem atrás da porca hexagonal ①.

Para retirar as rodas, execute o mesmo procedimento pela ordem inversa.

### 4.3 Acessórios (opcionais)



**ADVERTÊNCIA!**

**Risco de lesão**

- A montagem dos acessórios (opcionais) deve ser realizada de acordo com as instruções correspondentes.

## 5 Utilização

### 5.1 Informações de segurança

**ADVERTÊNCIA!**

- Utilize a cadeira de duche e sanitária apenas numa superfície plana e no interior.
- Respeite as especificações da placa de características. Não sobrecarregue a cadeira de duche e sanitária.
- Não coloque peso excessivo sobre a cadeira de duche e sanitária.
- Antes de cada utilização, realize sempre uma inspeção visual do produto, procurando sinais de danos exteriores.

**ADVERTÊNCIA!****Risco de escorregar**

- Antes de utilizar a cadeira sanitária, certifique-se de que o assento está bem preso à estrutura de assento.
- Prenda os rodízios com alavancas utilizando alavancas de pé antes de sentar ou se levantar da cadeira de duche e sanitária, e quando se encontra na posição de estacionamento.
- Aplique o travão de estacionamento quando as rodas autopropulsoras estiverem encaixadas (opcional).

**ADVERTÊNCIA!****Risco de basculação**

- Rode os apoios de pés lateralmente ou dobre as placas de pé para cima antes de se sentar ou levantar.
- Antes de se sentar ou levantar, rode os rodízios dianteiros de modo a que o bloqueio aponte para cima.
- Nunca se coloque de pé sobre os apoios de pés.
- Não se incline excessivamente para a frente.

**ADVERTÊNCIA!****Risco de basculação para a frente**

- Estão disponíveis dispositivos antiqueda frontais (n.º de art. 1535936) para evitar que a cadeira de duche e sanitária tombe para a frente.

**ADVERTÊNCIA!****Risco de basculação**

- A cadeira de duche e sanitária só deve ser deslocada usando a barra de empurrar ou as rodas autopropulsoras (opcional).

**ATENÇÃO!****Risco de queimaduras na pele**

- Os componentes do produto podem aquecer quando expostos a fontes externas de calor.
- Não expor o produto a luz solar forte antes da utilização.
  - Deixe que o produto atinja a temperatura ambiente antes da utilização.



### ATENÇÃO!

#### Risco de trilhadeira

- Quando utilizar as rodas autopropulsoras (opcional), não insira os dedos entre os espigões, nas rodas autopropulsoras em movimento nem na estrutura de assento durante uma deslocação.



### IMPORTANTE!

#### Risco de danos no produto

- Não levante a cadeira de duche e sanitária utilizando os apoios de pés.

## 5.2 Utilizar a cadeira de duche e sanitária

### Rodar os apoios de braços

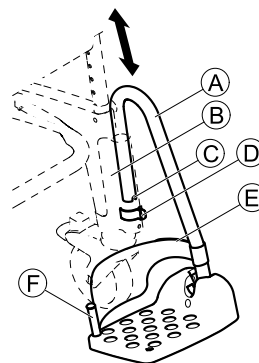


### ATENÇÃO!

#### Risco de entalar os dedos no mecanismo de dobragem

- Não insira os dedos na articulação quando dobrar os apoios de braços para cima ou para baixo.
- Não insira os dedos entre o apoio de braço e o encosto ao dobrar os apoios de braços para trás.
- Certifique-se de que nenhuma peça fica presa.

### Rodar os apoios de pés



#### Posição de entrada/saída:

1. Puxe ligeiramente para cima o apoio de pés (A) na calha (B), até a rosca (C) deixar de estar engatada no pino do grampo (D).
2. Rode o apoio de pés lateralmente.

#### Posição de condução:



### ATENÇÃO!

#### Risco de acidente devido a um apoio de pés solto

- Fixe os apoios de pés na posição de condução.

1. Rode o apoio de pés (A) para dentro.
2. Empurre o apoio de pés no sentido descendente, até a rosca (C) ficar engatada no pino do grampo (D).

### Remover/instalar a presilha de calcanhar

1. Abra a presilha de Velcro® ⑤ na calcanheira.
2. Remova o parafuso ⑥ da parte inferior da placa de pé.
3. Retire a presilha de calcanhar do pino de plástico flexível.



Para prender a correia, execute o mesmo procedimento pela ordem inversa.



#### IMPORTANTE!

– Durante a instalação, certifique-se de que a presilha de Velcro® da calcanheira está orientada para trás.

### Remover/instalar a placa de assento

#### Remover:

1. Puxe a placa de assento no sentido ascendente pelos dois lados.

#### Instalar:



#### ATENÇÃO!

##### Risco de entalar os dedos

– Não insira os dedos entre a superfície do assento e a estrutura de assento enquanto estiver a pressionar a placa de assento.

1. Coloque a placa de assento na estrutura de assento com o corte virado para a frente.
2. Empurre a placa de assento para trás tanto quanto possível.
3. Com a mão numa posição plana, pressione a placa de assento para baixo nos lados e depois à frente e atrás até que esta encaixe na estrutura de assento.

## 6 Transporte

### 6.1 Informações de segurança



Para transporte, é possível desmontar o produto nas peças fornecidas no âmbito da entrega. Consulte a secção 3.1 *Descrição geral, página 130*

1. Desmonte o produto, seguindo os passos de montagem da secção 4.2 *Montagem da cadeira de duche e sanitária, página 132* pela ordem inversa.



#### **IMPORTANTE!**

##### **Risco de danos no produto**

- Transporte o produto numa área seca.
- Não exponha o produto a luz solar direta.
- Consulte as condições de armazenamento e transporte na secção 10.3 *Parâmetros ambientais, página 148*



#### **IMPORTANTE!**

- São utilizados para várias ligações, parafusos e porcas de bloqueio automático ou adesivos de bloqueio de rosca. Se estes tiverem soltos, deverão ser substituídos por novos parafusos ou porcas de bloqueio automático, ou deverão ser fixados utilizando novo adesivo de bloqueio de rosca.

## 7 Manutenção

### 7.1 Manutenção e inspeção

Se as recomendações de limpeza e segurança forem respeitadas, o produto não exige manutenção.

- Verifique o produto e os acessórios regularmente, procurando sinais de danos e assegurando que estão bem montados.
- Se ocorrerem danos e/ou necessidade de reparações, contacte imediatamente o seu fornecedor.

### 7.2 Limpeza e desinfeção

O produto pode ser limpo e desinfetado utilizando detergentes disponíveis comercialmente.

#### ! IMPORTANTE!

Na área sensível da casa de banho e a sanita, a higiene é particularmente importante.  
– Limpe o produto com regularidade para o manter sempre limpo.

1. Desinfete o produto limpando com desinfetante todas as superfícies de acesso comum (se possível, desmontando primeiro o produto).

#### ! IMPORTANTE!

Todos os agentes de limpeza e desinfetantes utilizados devem ser eficazes, compatíveis entre si e passíveis de proteger os materiais aos quais são aplicados para limpeza. Para obter mais informações sobre a descontaminação em ambientes de cuidados de saúde, consulte as diretrizes sobre controlo de infeções do "National Institute for Clinical Excellence" ([www.nice.org.uk/CG139](http://www.nice.org.uk/CG139)) e as normas de controlo de infeções locais.  
– Limpe à mão ou numa autoclave.  
– Limpe sem agentes abrasivos.


### Limpar num ambiente doméstico

#### ! IMPORTANTE!

Risco de danos no produto  
– Não desmonte os suportes para os acessórios.

1. Remova todos os acessórios instalados.
2. Retire os apoios de pés das calhas.
3. Remova a placa de assento e a capa do encosto.
4. Retire as peças laterais.
5. Volte a inserir os grampos na estrutura de assento imediatamente, para impedir que se percam.
6. Limpe as peças individuais utilizando um pano ou escova e agentes de limpeza ou desinfetantes disponíveis comercialmente.
7. Enxague as peças com água quente.
8. Seque as peças com um pano.
9. Volte a montar o produto. Consulte o capítulo 4 Configuração.

## Limpar num ambiente clínico

 Além do procedimento de limpeza descrito antes, após a alta de cada paciente, no final do período de utilização ou, no mínimo, todos os meses (dependendo do que ocorrer primeiro) o produto deve ser limpo a 85 °C durante 3 minutos na autoclave.



### **ATENÇÃO!**

#### **Risco de queimaduras na pele**

– Deixe que o produto arrefeça depois de o limpar na autoclave.

## Limpar a capa do encosto (opcional)

1. Remova da capa do encosto.
2. Lave a capa na máquina a uma temperatura máxima de 60 °C, usando um detergente suave.



### **IMPORTANTE!**

#### **Risco de danos**

– A lavagem a temperaturas mais elevadas pode causar encolhimento.  
– Não seque as capas na máquina.



### **IMPORTANTE!**

A limpeza excessiva pode danificar os têxteis.  
– Recomendamos que substitua a capa do encosto de dois em dois anos por motivos de higiene.

## Limpar a sanita (opcional)

A sanita pode ser limpa numa autoclave nas temperaturas e durante os períodos seguintes:

- 90 °C durante 1 minuto
- 85 °C durante 3 minutos
- 80 °C durante 10 minutos.

## 7.3 Substituição das rodas dianteiras



### **ADVERTÊNCIA!**

#### **Risco de acidente devido a um encaixe incorrecto das rodas dianteiras.**

– As rodas dianteiras devem ser substituídas por um fornecedor especializado.



---

## 8 Após a utilização

---

### 8.1 Armazenamento

**IMPORTANTE!****Risco de danos no produto**

- Armazene o produto numa área seca.
- Não armazene o produto junto a fontes de calor.
- Não exponha o produto a luz solar direta.
- Consulte as condições de armazenamento e transporte na secção *10.3 Parâmetros ambientais, página 148*

### 8.2 Reutilização

O produto é adequado a uma utilização repetida. O número de vezes que pode ser utilizado depende da frequência e forma de utilização do produto. Antes de uma reutilização, limpe e desinfete rigorosamente o produto (→ 7.2 *Limpeza e desinfeção, página 143*) e verifique as funções de segurança, repondo-as se necessário.

### 8.3 Eliminação

A eliminação e reciclagem de dispositivos usados, bem como a embalagem, deverão estar em conformidade com os regulamentos legais aplicáveis.

Consulte o fabricante para obter detalhes sobre a eliminação adequada e completa.

## 9 Resolução de problemas

### 9.1 Identificar e reparar falhas

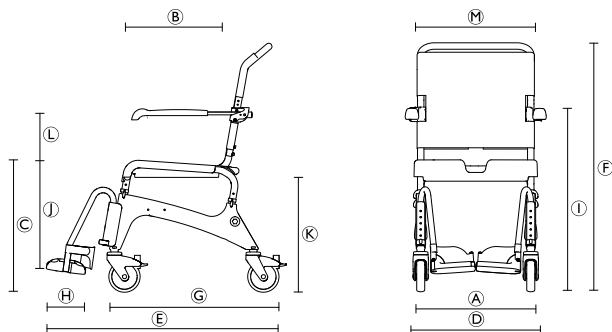


A tabela seguinte faculta informações sobre avarias e as suas causas possíveis. Se não conseguir corrigir a avaria utilizando as soluções indicadas, contacte diretamente o seu fornecedor especialista.

Falha	Causa possível	Solução
Dificuldade em ajustar a altura do assento	Sujidade entre a estrutura de assento e a secção lateral	Desmonte as várias peças do produto fornecidas no âmbito da entrega e limpe-as rigorosamente.
É difícil ou impossível rodar os rodízios	Sujidade entre a forqueta e o aro	Limpe rigorosamente os rodízios.
Dificuldade em empurrar os apoios de pés para o lado	Depósitos nas calhas	Limpe rigorosamente os apoios de pés e as calhas.
Não é possível engatar o travão de estacionamento das rodas autopropulsoras (opcional)	Travão de estacionamento incorretamente ajustado	O travão de estacionamento deve ser ajustado por um técnico qualificado.

## 10 Características Técnicas

### 10.1 Dimensões e peso



(A)	Largura do assento	480 mm
(B)	Profundidade do assento	450 mm
(C)	Altura do assento	475 - 600 mm
(D)	Largura total (Ocean) Largura total (Ocean XL) Largura total com rodas autopropulsoras	560 mm 640 mm 675 mm
(E)	Profundidade total Profundidade total com rodas autopropulsoras	900 mm 1060 mm
(F)	Altura total	964 - 1094 mm
(G)	Profundidade sem os apoios de pés	700 mm

(H)	Profundidade da placa de pé	160 mm
(I)	Altura até aos apoios de braços	680 - 850 mm
(J)	Altura do apoio de pés ao assento	255 - 495 mm
(K)	Distância mínima entre o chão e o suporte para o balde da sanita	aprox. 408 mm
	Largura mín. entre as secções laterais	aprox. 381 mm
	Peso do produto	aprox. 15 kg
	Peso do produto com rodas autopropulsoras	aprox. 19,5 kg
	Peso máximo do utilizador (Ocean)	150 kg
	Peso máximo do utilizador (Ocean XL)	180 kg

### 10.2 Materiais

Chassis	Aço inoxidável, lacado
Placa de assento	Polipropileno
Capa do encosto	Nylon, revestido com PVC
Apoios de pés/peças laterais	Polipropileno, reforçado com fibra de vidro
Almofadas de apoio de braço	Polipropileno

Rodízios	Plástico e aço inoxidável
Superfície de rolamento das rodas de 24"	???

Todos os componentes do produto são resistentes à corrosão e não contêm látex de borracha natural.

### 10.3 Parâmetros ambientais

<b>Condições de funcionamento</b>	
Temperatura ambiente	10 - 65 °C
Humidade relativa	15% - 93%, sem condensação
Pressão atmosférica	795 - 1060 hPa
<b>Condições de transporte e armazenamento</b>	
Temperatura ambiente	0 - 40 °C
Humidade relativa	30% - 75%, sem condensação
Pressão atmosférica	795 - 1060 hPa

---

# Inhoudsopgave

---

Deze handleiding dient te worden overhandigd aan de gebruiker van het product. Lees deze handleiding VÓÓR u het product gebruikt en bewaar hem voor eventuele raadplegingen in de toekomst.

<b>1 Algemeen</b>	<b>.150</b>
1.1 Algemene informatie	.150
1.2 Symbolen in deze gebruiksaanwijzing	.150
1.3 Garantie	.150
1.4 Naleving	.150
1.5 Beoogd gebruik	.151
1.6 Levensduur	.151
<b>2 Veiligheid</b>	<b>.152</b>
2.1 Veiligheidsinformatie	.152
2.2 Typeplaatjes en symbolen op het product	.152
<b>3 Componenten</b>	<b>.154</b>
3.1 Overzicht	.154
<b>4 Montage</b>	<b>.156</b>
4.1 Veiligheidsinformatie	.156
4.2 De douche- en toiletstoel monteren	.156
4.3 Accessoires (optioneel)	.161
<b>5 Gebruik</b>	<b>.162</b>
5.1 Veiligheidsinformatie	.162
5.2 De douche- en toiletstoel gebruiken	.163
<b>6 Transport</b>	<b>.165</b>
6.1 Veiligheidsinformatie	.165
<b>7 Onderhoud</b>	<b>.166</b>
7.1 Onderhoud en inspectie	.166
7.2 Schoonmaken en desinfecteren	.166
7.3 De zwenkwielen vervangen	.167
<b>8 Na gebruik</b>	<b>.168</b>
8.1 Opslag	.168

8.2 Hergebruiken	.168
8.3 Afvoeren	.168
<b>9 Problemen oplossen</b>	<b>.169</b>
9.1 Storingen identificeren en oplossen	.169
<b>10 Technische Specificaties</b>	<b>.170</b>
10.1 Afmetingen en gewicht	.170
10.2 Materialen	.170
10.3 Omgevingsparameters	.171

# 1 Algemeen

## 1.1 Algemene informatie

Deze gebruiksaanwijzing bevat belangrijke informatie over het gebruik van het product. Lees de gebruiksaanwijzing aandachtig door en volg de veiligheidsinformatie op om zeker te zijn van een veilig gebruik van het product.

Voor mensen met een visuele handicap is er op internet een pdf-versie van de gebruiksaanwijzing beschikbaar op internet, die indien nodig op het scherm kan worden vergroot. Kunt u de tekst en afbeeldingen niet voldoende vergroten, neem dan contact op met de Invacare®-distributeur van uw land. Adressen vindt u op de laatste pagina van deze handleiding. Indien nodig kunnen we u voorzien van een pdf-versie van de gebruiksaanwijzing in een hoge resolutie.

## 1.2 Symbolen in deze gebruiksaanwijzing

Waarschuwingen in deze gebruiksaanwijzing worden aangegeven met symbolen. De titel naast een waarschuwingssymbool geeft de mate van gevaar aan.



### WAARSCHUWING

Geeft een gevaarlijke situatie aan die kan leiden tot ernstige verwondingen of zelfs tot de dood als deze waarschuwing wordt genegeerd.



### LET OP

Geeft een gevaarlijke situatie aan die kan leiden tot lichte verwondingen als deze waarschuwing wordt genegeerd.



### BELANGRIJK

Geeft een gevaarlijke situatie aan die kan leiden tot schade als deze waarschuwing wordt genegeerd.



Handige tips, aanbevelingen en informatie om een efficiënte en probleemloze werking te verzekeren.



Dit product voldoet aan richtlijn 93/42/EEG betreffende medische hulpmiddelen. De lanceringsdatum van dit product staat vermeld in de CE-verklaring van overeenstemming.



Fabrikant

## 1.3 Garantie

Wij bieden voor dit product een fabrieksgarantie in overeenstemming met onze Algemene Voorwaarden in de respectievelijke landen. Garantieclaims kunnen alleen worden ingediend via de dealer bij wie u het apparaat hebt gekocht.

## 1.4 Naleving

Kwaliteit is van het grootste belang voor ons bedrijf. Daarom zijn al onze processen gebaseerd op ISO-standaard 13485.

Dit product is voorzien van het CE-merk, conform Richtlijn 93/42/EEG betreffende medische hulpmiddelen, klasse 1.

Invacare werkt er continu aan om ervoor te zorgen dat het effect van het bedrijf op het milieu, zowel lokaal als internationaal, zo veel mogelijk wordt beperkt.

- Wij maken uitsluitend gebruik van materialen en onderdelen die voldoen aan de REACH-richtlijnen.

Neem voor meer informatie contact op met Invacare in uw land (zie de adressen achterin deze handleiding).

## 1.5 Beoogd gebruik

De douche- en toiletstoel is alleen bedoeld ter ondersteuning bij het douchen of baden, het gebruik van het toilet, voor gebruik tijdens persoonlijke hygiëne (bijv. voor de wasbak) of voor het verplaatsen van patiënten binnenshuis. Het is bedoeld voor gebruik door een volwassen patiënt, met of zonder hulp van een verzorger, die:

- moeite hebben met staan of evenwicht houden;
- last hebben van zwakke benen of een handicap aan de benen
- last hebben van medische aandoeningen die hun evenwicht negatief beïnvloeden

Het product is alleen bedoeld voor gebruik in zorginstellingen en thuis. Elk ander gebruik is verboden.



### **WAARSCHUWING!**

#### **Kans op lichamelijk letsel**

- Gebruik het product nooit als hulpmiddel om in of uit het bad te stappen, voor klimmen of omlaag stappen als ondersteuning of voor enig ander vergelijkbaar doel.
- Het product mag niet buiten worden gebruikt.

U kunt het product als toiletstoel gebruiken boven een standaardtoilet of los met een ondersteek (optioneel).

De douche- en toiletstoel mag alleen worden gebruikt als badkruk in een zwembad als het zwembad geen zout water bevat en er altijd een begeleider in de buurt is.

Gebruikstemperatuur: 10 - 65 °C

## 1.6 Levensduur

De verwachte levensduur van deze producten is vijf jaar als deze strikt in overeenstemming met het bedoelde gebruik worden toegepast, zoals beschreven in dit document, en als aan alle onderhouds- en servicevereisten wordt voldaan. De verwachte levensduur kan worden overschreden als het product voorzichtig wordt gebruikt en goed wordt onderhouden en als technische en wetenschappelijke vooruitgang niet leiden tot technische beperkingen. De levensduur kan ook aanzienlijk worden verminderd door extreem of onjuist gebruik. De verwachte levensduur vormt geen aanvullende garantie.

## 2 Veiligheid

### 2.1 Veiligheidsinformatie



#### WAARSCHUWING!

- Gebruik dit product of de beschikbare optionele apparatuur alleen als u deze instructies en het eventuele aanvullende instructiemateriaal volledig hebt doorgelezen en begrepen, met inbegrip van de gebruiksaanwijzingen, servicehandleidingen of instructiebladen die bij dit product of de optionele apparatuur worden verstrekt. Producthandleidingen van Invacare zijn beschikbaar op internet of bij uw lokale dealer (adressen bevinden zich op de achterzijde van deze handleiding).
- Als u de gevaren, aandachtspunten of instructies niet begrijpt, neemt u contact op met een zorgverlener, dealer of technisch personeel voordat u dit apparaat gaat gebruiken. Er kan anders letsel of schade optreden.



#### WAARSCHUWING!

##### Kans op lichamelijk letsel

- Ga niet op dit product staan.
- Niet als klimhulpmiddel gebruiken.
- Gebruik dit product niet buiten.



#### WAARSCHUWING!

##### Kans op lichamelijk letsel

- Niet gebruiken indien defect.
- Neem direct contact op met uw dealer in geval van een defect.
- Voer geen ongeautoriseerde wijzigingen of aanpassingen uit op het product.
- Gebruik alleen de accessoires die bedoeld zijn voor dit product.



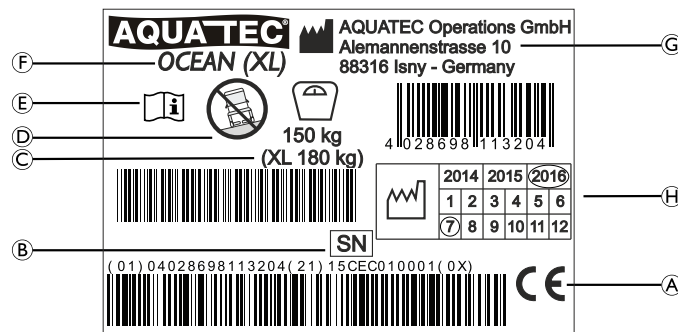
#### BELANGRIJK!

De informatie in dit document kan zonder voorafgaande kennisgeving worden gewijzigd.

## 2.2 Typeplaatjes en symbolen op het product


### Typeplaatje

Het typeplaatje bevat belangrijke informatie:





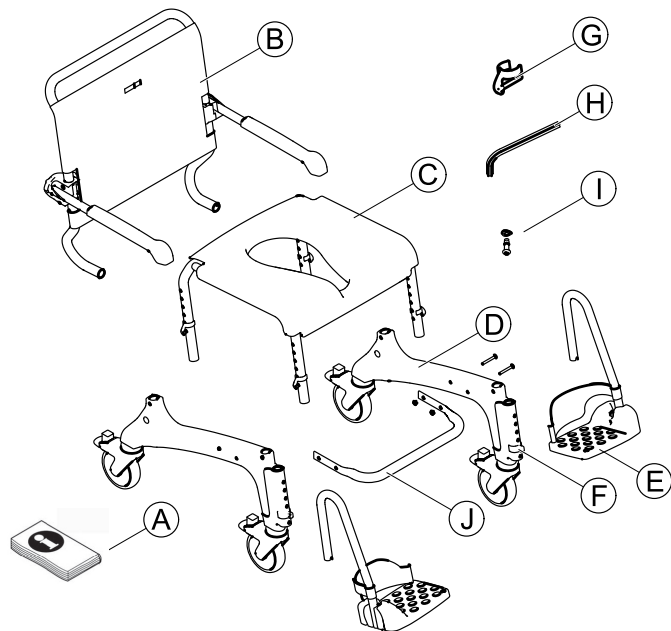
Ⓐ	Conformiteitsmarkering
Ⓑ	Serienummer
Ⓒ	Maximaal gebruikersgewicht
Ⓓ	Opmerking (alleen te gebruiken op vlakke ondergrond)
Ⓔ	Lees de gebruiksaanwijzing
Ⓕ	Productaanduiding
Ⓖ	Adres van de fabrikant
Ⓗ	Fabricagedatum

 Het typeplaatje is aan de binnenkant van de rechterzijde bevestigd.

## 3 Componenten

### 3.1 Overzicht

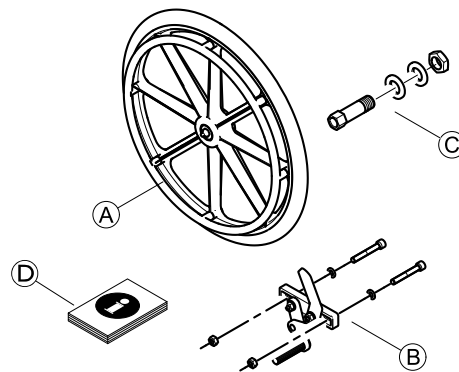
De volgende onderdelen zijn inbegrepen in de levering:



(A)	Gebruiksaanwijzing
(B)	Rugleuning met rugbekleding en armsteunen
(C)	Zitframe met zitplaat

(D)	Zijgedeelten met wielen (2x)
(E)	Voetsteunen met hielband (2x)
(F)	Klemmen (2x) voor voetsteun (geplaatst)
(G)	Klemmen (4x) voor zitframe
(H)	Inbussleutel AF 4
(I)	Schroeven (4x) en sluitringen (4x)
(J)	Stabilisatiestang van de onderkant met schroeven (4x) en moeren (4x) - alleen Ocean XL

De volgende onderdelen zijn inbegrepen in de levering van de door de gebruiker aan te drijven wielen met parkeerrem:



(A)	Door de gebruiker aan te drijven wielen (2x)
(B)	Parkeerremmen (2x)
(C)	Naven inclusief assen (2x)



Houd rekening met andere afmetingen bij montage van door de gebruiker aan te drijven wielen. Zie voor meer informatie het hoofdstuk Technische gegevens.

## 4 Montage

### 4.1 Veiligheidsinformatie



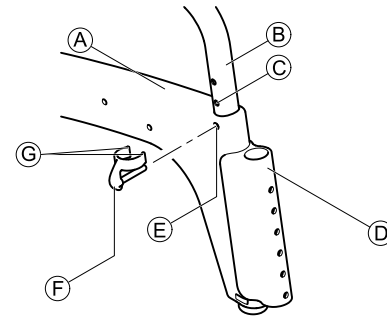
#### WAARSCHUWING!

- Controleer de onderdelen op transportschade voordat u het product in gebruik neemt en neem indien nodig contact op met uw dealer.
- Houd er bij de montage rekening mee dat alle onderdelen juist geplaatst dienen te worden zodat er geen beschadigingen optreden.
- Zelfborgende schroeven, moeren of kleefstof voor schroefdraadborging worden gebruikt voor verschillende verbindingen. Als deze worden losgemaakt, moeten ze worden vervangen door nieuwe zelfborgende schroeven of moeren, of worden vastgezet met behulp van een nieuwe kleefstof voor schroefdraadborging.

### 4.2 De douche- en toiletstoel monteren

In dit gedeelte wordt de montage beschreven. Demontage wordt in omgekeerde volgorde uitgevoerd.

#### De zitframebuis plaatsen voor hoogteaanpassing



1. Verwijder de meegeleverde klemmen ⑥ uit de tas.
2. Zet het zitframe op zijn kant.



#### BELANGRIJK

- Druk het zijgedeelte gelijkmatig op het frame en draai het niet.
- Zet het zijgedeelte op dezelfde hoogte, voor en achter.

3. Druk het zijgedeelte ① met de geleiders voor de voetsteunen ④ voorwaarts op het zitframe ②.
4. Zet het klemstuk ⑤ op de voor- en achterkant van het zijgedeelte op een lijn met een gat in het zitframe ③.
5. Breng de klemmen ⑥ vanaf de buitenkant in de zijkant in tot beide uiteinden ⑦ de zitframebuis ② omsluiten.



#### BELANGRIJK

- Zorg ervoor dat de linker- en rechterzijgedeelten op dezelfde hoogte zijn ingesteld.

6. Draai het zitframe en herhaal de procedure bij het tweede zijgedeelte.
7. Plaats het zitframe met de gemonteerde zijgedeelten op zijn wielen.

### De zithoogte aanpassen

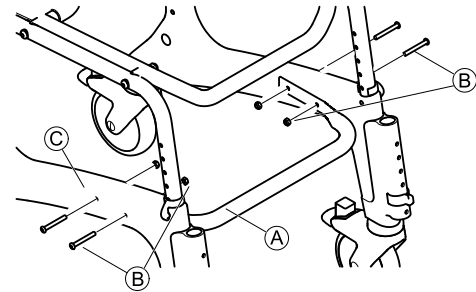


#### WAARSCHUWING!

- Pas de zithoogte aan zodat deze bij de gebruiker past. De zithoogte is op de juiste manier ingesteld als beide voeten van de gebruiker die in de toiletstoel zit, de grond raken.
- De zithoogte moet aan beide kanten op dezelfde hoogte worden afgesteld.
- Pas de zithoogte niet aan wanneer er iemand op de douche- en toiletstoel zit.

1. Zet de douche- en toiletstoel via het zitframe iets hoger op een kant (B).
2. Verwijder beide klemmen (F) aan deze kant.
3. Haal het zitframe uit het zijgedeelte (A) of druk het in het zijgedeelte om de zithoogte aan te passen.
4. Duw beide klemmen er helemaal terug in.
5. Herhaal stappen 1-4 aan de andere kant.

### Stabilisatiestang van de onderkant monteren (alleen Ocean XL)



1. Monteer de stabilisatiestang van de onderkant (A) met de meegeleverde schroeven en moeren (B) tussen de zijgedeelten (C).

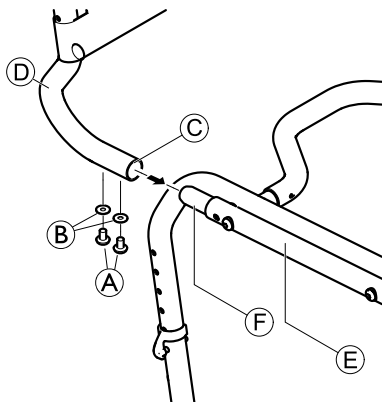
### De rugleuning plaatsen

1. Druk alle vier voetpedalen naar beneden zodat de zwenkwielen worden vergrendeld.



#### BELANGRIJK!

- Zorg dat de armsteunen naar voren zijn gericht als u deze inklapt.



2.

Zet de rugleuning ④ vanaf de achterkant in het zitframe ⑤ tot de boord ③ de zitframebuis raakt ⑥.

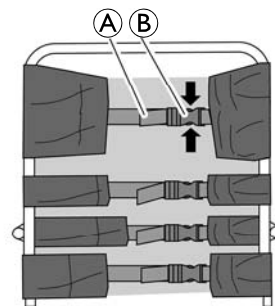
### ! BELANGRIJK!

- Draai de schroeven stevig aan met de meegeleverde inbussleutel.
- Controleer regelmatig of de schroeven goed vastzitten.

3. Plaats een sluitring ② op elke schroef ① en zet de rugleuning aan elke zijde stevig vast.
4. Draai de schroeven aan met een moment van 5 Nm.

### De rugbekleding aanpassen

De spanning van de rugleuning kan desgewenst worden aangepast.



### WAARSCHUWING!

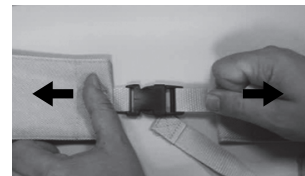
– Zorg dat er altijd minimaal twee riemen via het rugleuningframe (aan de buitenkant) lopen en dat de riemsluitingen gesloten zijn.

Aanspannen:

1. Span de riemen ① van de rugbekleding aan.

Losmaken:

1. Open de riemgespen ② door de lippen naar elkaar toe te drukken (pijlen).
2. Duw de riemen een stuk terug door de gesp.
3. Sluit de riemgespen.
4. Span de riemen opnieuw een beetje aan.

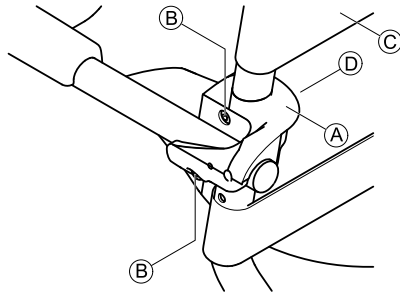


**WAARSCHUWING!**

**Risico op letsel door beschadigde rugleuning Gordels.**

Controleer na elk onderhoud of elke reparatie of de rugleuning Gordels stevig vastzitten.

- Controleer of alle gordelclips stevig vastzitten door de gordels te sluiten en aan beide uiteinden te trekken.
- Vervang de rugleuning/rugleuning Gordels als een gordel tijdens het trekken opent.

**De hoogte van de armsteunen aanpassen****BELANGRIJK!**

- Pas de hoogte van de armsteunen aan zodat deze bij de gebruiker passen.
- Pas de hoogte van de armsteunen aan beiden kanten hetzelfde aan.
- Stel de hoogte van de rechter en linker armsteunen op precies dezelfde manier in.

1. Open de riemgesp op de rugbekleding die via de binnenkant van het rugleuningframe wordt gelegd.
2. Open de gesp van de riem op de rugbekleding © die boven de armsteunen ligt.
3. Leg de riem door de binnenkant van het rugleuningframe en sluit deze opnieuw.



De bouten worden los in de borgklem geplaatst en kunnen loskomen.

4. Draai de schroeven © van de armsteunbeugel A los met de meegeleverde inbussleutel.
5. Verwijder de borgklem D met de bouten van de binnenkant van het rugleuningframe.
6. Verwijder de rugleuningbeugel A samen met de armsteun en beweeg deze naar boven.



Het kleinere gat dient ter bevestiging van de borgklem.

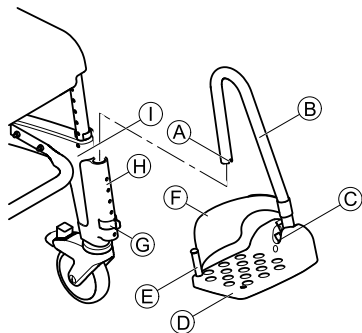
7. Plaats de schroeven in de armsteunbeugel en duw deze door de gaten in het rugleuningframe.
8. Indien nodig plaatst u de bouten opnieuw in de borgklem.
9. Zet de borgklem zo op het rugleuningframe dat de bevestiging van de klem in het kleinere gat steekt.

10. Draai de schroeven in de moeren en draai ze aan.
11. Leg de loshangende riem van de rugbekleding langs de buitenkant van het rugleuningframe, sluit alle riemen en trek ze aan.

**!** **BELANGRIJK!**

De armsteunen worden op dezelfde manier verlaagd.  
 – Wanneer u een lagere positie instelt, moet de riem onder de armsteunen open zijn en via de binnenkant van het rugleuningframe worden gelegd.

**De voetsteunen monteren**



1. Druk de voetsteun **B** met de voetplaat **D** in de geleider **H** aan de voorkant van het zijgedeelte **I** tot de groef **A** in de pen van de klem **C** valt. De voetsteun kan niet meer opzij worden gedraaid.



De montageprocedure is gelijk voor zowel de rechter- als de linkervoetsteun.

**De hoogte van de voetsteunen aanpassen**

1. Trek de voetsteun **B** een klein stukje omhoog.
2. Trek de klem **C** eruit en druk deze terug in de gewenste positie. Trek de voetsteun indien nodig een klein stukje verder uit.
3. Druk de voetsteun omlaag tot de groef **A** in de pen van de klem valt.
4. Stel de andere voetsteun op dezelfde hoogte in.

**De helling van de voetplaten instellen**



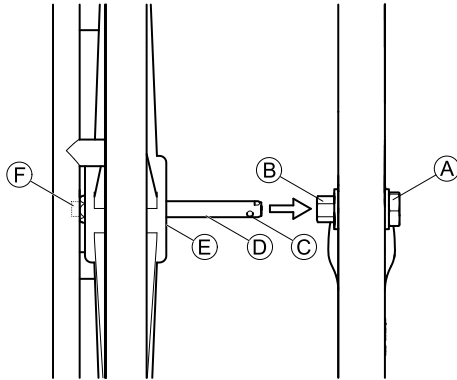
**BELANGRIJK!**

– De helling van de voetplaten kan met oneindig veel variaties worden ingesteld.  
 – Zorg dat de hoogte van de rechter- en linkervoetplaat op dezelfde manier wordt aangepast.

1. Draai de inbusschroef **C** op de voetplaat losser met een inbussleutel van maat 4.
2. Draai de voetplaat **D** naar de gewenste positie.
3. Draai de inbusschroef weer vast.



## De door de gebruiker aan te drijven wielen (optioneel) monteren/verwijderen



3. Druk de as ④ op de door de gebruiker aan te drijven wielen naar binnen. (De hoepels wijzen naar buiten.)
4. Houd de knop ⑥ op de buitenkant van de as ingedrukt. Hiermee komen de borgballen ③ aan het uiteinde van de as vrij.
5. Zet de douche- en toiletstoel een beetje hoger.
6. Steek de as in de naaf ② en druk die door de gebruiker aan te drijven wiel op de as tot aan de eindstop ⑤.
7. Laat de knop ⑥ los.
8. Druk de borgballen naar buiten zodat ze achter de zeskantige moer ① komen.

Om de wielen te verwijderen, voert u dezelfde procedure uit in omgekeerde volgorde.

### 4.3 Accessoires (optioneel)



#### WAARSCHUWING!

#### Kans op lichamelijk letsel

- De montage van accessoires (optioneel) moet volgens de bijbehorende instructies worden uitgevoerd.



#### BELANGRIJK!

- Wanneer de door de gebruiker aan te drijven wielen (optioneel) worden gemonteerd, moeten de achterwielen vergrendeld blijven.
- De montage is gelijk voor zowel de rechter- als het linker- door de gebruiker aan te drijven wiel.
- De navens en de parkeerremmen voor de door de gebruiker aan te drijven wielen moeten door een gekwalificeerde technicus worden gemonteerd. De montage wordt beschreven in de gebruiksaanwijzing "De navens en remmen voor Aquatec® Ocean 24"-wielen" monteren.

1. Zet de vier zwenkwielen in de rijrichting.
2. Vergrendel alle zwenkwielen.

## 5 Gebruik

### 5.1 Veiligheidsinformatie



#### **WAARSCHUWING!**

- Gebruik de douche- en toiletstoel alleen op een vlakke ondergrond en binnenshuis.
- Kijk naar de specificaties op het typeplaatje. Zorg ervoor dat u de douche- en toiletstoel niet overbelast.
- Plaats geen al te zware voorwerpen op de douche- en toiletstoel.
- Voer altijd voor elk gebruik een visuele inspectie van het product op externe beschadigingen uit.



#### **WAARSCHUWING!**

##### **Risico op uitglijden en weggrollen**

- Zorg er vóór gebruik voor dat de zitting veilig is bevestigd aan het zitframe.
- Vergrendel alle zwenkwielen met hendels met de voetsluitingen voordat iemand plaatsneemt, iemand opstaat of als de douche- en toiletstoel staat geparkeerd.
- Gebruik de parkeerrem wanneer de door de gebruiker aan te drijven wielen (optioneel) worden gemonteerd.



#### **WAARSCHUWING!**

##### **Risico op kantelen**

- Draai de voetsteunen naar de zijkant of klap de voetplaten omhoog voordat iemand plaatsneemt in de rolstoel of iemand opstaat.
- Draai de voorste zwenkwielen zodat de vergrendeling naar voren is gericht voordat iemand plaatsneemt in de rolstoel of iemand opstaat.
- Ga nooit op de voetsteunen staan.
- Leun niet te ver voorover.



#### **WAARSCHUWING!**

##### **Risico op voorover kantelen**

- Antikantelsteunen voorzijde (art. nr. 1535936) zijn beschikbaar. Deze voorkomen dat de doucheroelstoel voorwaarts kantelt.



#### **WAARSCHUWING!**

##### **Risico op kantelen**

- De douche- en toiletstoel mag alleen worden verplaatst met behulp van de duwstang of de met de hand aan te drijven wielen (optioneel).

**LET OP!****Risico op verbranding van de huid**

De onderdelen van het product kunnen heet worden bij blootstelling aan een externe verwarmingsbron.

- Stel het product vóór gebruik niet bloot aan sterk zonlicht.
- Laat het product voor gebruik op kamertemperatuur komen.

**LET OP!****Uw vingers kunnen bekneld raken**

- Bij gebruik van door de gebruiker voortgedreven wielen (optioneel) moet u uw vingers niet tussen de spaken of de draaiende wielen en het zitframe laten komen terwijl u rijdt.

**BELANGRIJK!****Risico op beschadiging van het product**

- Til de douche- en toiletstoel niet bij de voetsteunen op.

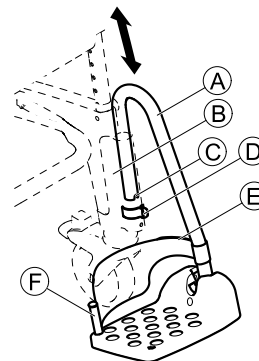
## 5.2 De douche- en toiletstoel gebruiken

### De armsteunen draaien

**LET OP!****Vingers kunnen in het inklapmechanisme bekneld raken**

- Plaats geen vingers in de gelede koppeling wanneer de armsteunen naar boven of onderen worden geklapt.
- Plaats geen vingers tussen de armsteun en de rugleuning wanneer de armsteunen naar achteren worden ingeklapt.
- Zorg ervoor dat er geen onderdelen blijven hangen.

### De voetsteunen draaien



### Instappositie/uitstappositie:

1. Trek de voetsteun Ⓐ in de geleider Ⓑ een beetje omhoog totdat de groef Ⓒ niet meer vastzit in de pen van de klem Ⓓ.
2. Zwenk de voetsteun naar de zijkant.

#### Rijpositie:



#### LET OP!

#### Risico op ongeluk als gevolg van losse voetsteun

– Bevestig de voetsteunen in de rijpositie.

1. Draai de voetsteun Ⓐ naar binnen.
2. Druk de voetsteun omlaag tot de groef Ⓒ in de pen van de klem Ⓓ valt.

#### De hielband verwijderen/bevestigen

1. Open de klittenbandsluiting Ⓔ op de hielband.
2. Verwijder de schroef Ⓕ uit de onderkant van de voetplaat.
3. Verwijder de hielband uit de flexibele plastic pen.



Om de band te bevestigen, voert u dezelfde procedure uit in omgekeerde volgorde.



#### BELANGRIJK!

– Zorg er bij de installatie van een voetsteun altijd voor dat de klittenbandsluiting van de hielband naar achteren is gericht.

#### De zitplaat verwijderen/plaatsen

##### Verwijderen:

1. Trek de zitplaat aan beiden zijden naar boven.

##### Plaatsen:



#### LET OP!

#### Vingers kunnen bekneld raken

– Plaats geen vingers tussen het zitgedeelte en het zitframe wanneer u de zitplaat naar beneden duwt.

1. Plaats de zitplaat op het zitframe met de uitsparing naar de voorkant gericht.
2. Duw de zitplaat zo ver mogelijk naar achteren.
3. Druk met de vlakke hand de zijkanten van de zitplaat naar beneden en duw vervolgens tegen de voor- en achterzijde tot de zitplaat in het zitframe valt.

## 6 Transport

### 6.1 Veiligheidsinformatie



Het product kan voor transport worden gedemonteerd in de onderdelen die zijn inbegrepen in de levering. Zie hoofdstuk 3.1 *Overzicht, pagina 154*

1. Demonteer het product, zie hoofdstuk 4.2 *De douche- en toiletstoel monteren, pagina 156* door de stappen voor montage in omgekeerde volgorde te volgen.



#### **BELANGRIJK!**

- **Risico op beschadiging van het product**
  - Vervoer het product in een droge omgeving.
  - Stel dit product niet bloot aan direct zonlicht.
  - Raadpleeg de voorschriften voor opslag en transport in hoofdstuk 10.3 *Omgevingsparameters, pagina 171*



#### **BELANGRIJK!**

- Zelfborgende schroeven, moeren of kleefstof voor schroefdraadborging worden gebruikt voor verschillende verbindingen. Als deze worden losgemaakt, moeten ze worden vervangen door nieuwe zelfborgende schroeven of moeren, of worden vastgezet met behulp van een nieuwe kleefstof voor schroefdraadborging.

## 7 Onderhoud

### 7.1 Onderhoud en inspectie

Als de meldingen voor reiniging en veiligheid in acht worden genomen, heeft het product geen onderhoud nodig.

- Controleer het product en de accessoires regelmatig op schade en zorg ervoor dat dit stevig is gemonteerd.
- Neem in geval van schade en/of benodigde reparaties direct contact op met uw leverancier.

### 7.2 Schoonmaken en desinfecteren

Het product kan worden schoongemaakt en gedesinfecteerd met behulp van commercieel verkrijgbare middelen.

- !** **BELANGRIJK!**  
 • Hygiëne is erg belangrijk, vooral op gevoelige plaatsen als de badkamer en de wc.  
 – Houd het product te allen tijde schoon en neem het regelmatig af.

1. Desinfecteer het product door alle algemeen toegankelijke oppervlakken af te nemen met een desinfecteermiddel (indien mogelijk na demontage van het product).

- !** **BELANGRIJK!**  
 • Alle gebruikte reinigings- en desinfecteringsmiddelen moeten effectief zijn, met elkaar gecombineerd kunnen worden en de te reinigen materialen beschermen. Raadpleeg voor meer informatie over goede hygiëne en desinfectie (in de intramurale gezondheidszorg) de Nederlandse Vereniging van Zeepfabrikanten (NVZ) (<https://www.nvz.nl/>).  
 – Maak handmatig schoon of in een autoclaaf.  
 – Schoonmaken zonder schuurmiddel.

#### Reiniging in een huiselijke omgeving

- !** **BELANGRIJK!**  
 • Risico op beschadiging van het product  
 – Haal de houders voor de accessoires niet uit elkaar.

1. Verwijder alle aangesloten accessoires.
2. Trek de voetsteunen uit de geleiders.
3. Verwijder de zitplaat en de rugbekleding.
4. Verwijder de zijkanten.
5. Steek de klemmen onmiddellijk terug in het zitframe zodat deze niet verloren worden gelegd.
6. Neem de verschillende onderdelen met een doek of borstel af en in de handel verkrijgbare reinigingsmiddelen en desinfecterende middelen.
7. Spoel de onderdelen met warm water af.
8. Droog de onderdelen met een doek.
9. Zet het product weer in elkaar. Zie hoofdstuk 4 Montage.

## Reiniging in een klinische omgeving

-  Naast de hierboven omschreven manier van reinigen, reinigt u het product na het ontslag van elke patiënt, na de beëindiging van de gebruikperiode of minimaal elke maand (afhankelijk van wat zich het eerst voordoet) door het 3 minuten bij 85 °C in de autoclaaf te plaatsen.



### LET OP!

#### Risico op verbranding van de huid

- Laat het product afkoelen na reiniging in de autoclaaf.

## De rugbekleding (optioneel) reinigen

1. Verwijder de rugbekleding.
2. Was de bekleding met een mild wasmiddel in de wasmachine op maximaal 60 °C.



### BELANGRIJK!

#### Risico op beschadiging

- Wassen op hogere temperaturen kan leiden tot krimpen van materiaal.
- Droog bekleding niet in de wasdroger.



### BELANGRIJK!

- Door overmatig reinigen kan textiel beschadigen.
- Wij raden u aan de rugbekleding elke twee jaar te vervangen als goede hygiënepraktijk.

## De ondersteek reinigen (optioneel)

De ondersteek kan worden gereinigd in een autoclaaf met de volgende temperaturen/tijden:

- 90 °C gedurende 1 minuut
- 85 °C gedurende 3 minuten
- 80 °C gedurende 10 minuten.

## 7.3 De zwenkwielen vervangen



### WAARSCHUWING!

#### Risico op ongeluk als gevolg van foutief bevestigde zwenkwielen.

- De zwenkwielen moeten door een erkende dealer worden vervangen.

---

## 8 Na gebruik

---

### 8.1 Opslag



#### **BELANGRIJK!**

##### **Risico op beschadiging van het product**

- Bewaar het product in een droge omgeving.
- Bewaar dit product niet in de buurt van warmtebronnen.
- Stel dit product niet bloot aan direct zonlicht.
- Raadpleeg de voorschriften voor opslag en transport in hoofdstuk *10.3 Omgevingsparameters, pagina 171*

### 8.2 Hergebruiken

Het product is geschikt voor herhaald gebruik. Hoe vaak het product kan worden hergebruikt, hangt af van de frequentie en de manier van gebruik van het product. Vóór hergebruik moet het product grondig worden gereinigd en gedesinfecteerd. (→ *7.2 Schoonmaken en desinfecteren, pagina 166*) Controleer de veiligheidsfuncties en reset indien nodig.

### 8.3 Afvoeren

Het afvoeren en recyclen van gebruikte toestellen en verpakkingsmaterialen moet gebeuren volgens de toepasselijke wettelijke regelgevingen.

Neem contact op met de fabrikant voor informatie over de correcte en volledige afvoer.



## 9 Problemen oplossen

### 9.1 Storingen identificeren en oplossen

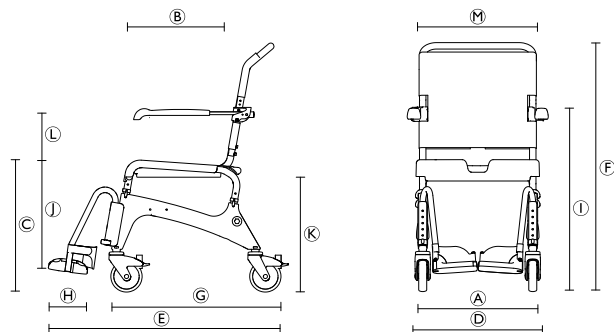


In de volgende tabel vindt u een overzicht van storingen en de mogelijke oorzaken daarvan. Als u de storing niet kunt verhelpen met behulp van de gegeven oplossingen, kunt u ook rechtstreeks contact opnemen met uw gespecialiseerde dealer.

Storing	Mogelijke oorzaak	Oplossing
Moeilijkheden bij het aanpassen van de zithoogte	Vuil tussen het zitframe en de zijkant	Haal het product uit elkaar tot de onderdelen die u bij de levering ontving en reinig deze grondig
De zwenkwielen draaien moeilijk of niet	Vuil tussen de vork en de velg	Reinig de zwenkwielen grondig
Moeilijkheden bij het opzij duwen van de voetsteunen	Neerslag in de geleiders	Reinig de voetsteunen en de geleiders grondig
Parkeerrem van de door de gebruiker aan te drijven wielen (optioneel) doet het niet	Parkeerrem is niet goed aangepast	De parkeerrem moet worden aangepast door een gekwalificeerde technicus.

## 10 Technische Specificaties

### 10.1 Afmetingen en gewicht



(A)	Zitbreedte	480 mm
(B)	De zitdiepte	450 mm
(C)	Zithoogte	475 - 600 mm
(D)	Totale breedte (Ocean) Totale breedte (Ocean XL) Totale breedte met door de gebruiker aan te drijven wielen	560 mm 640 mm 675 mm
(E)	Totale diepte Totale diepte met door de gebruiker aan te drijven wielen	900 mm 1060 mm
(F)	Totale hoogte	964 - 1094 mm
(G)	Diepte zonder voetsteunen	700 mm

(H)	Diepte van de voetplaat	160 mm
(I)	Hoogte tot de armsteunen	680 - 850 mm
(J)	Hoogte van voetsteun tot zitting	255 - 495 mm
(K)	Min. afstand tussen de vloer en de beugel van de toiletstoel	circa 408 mm
	Min. breedte tussen de zijgedeelten	circa 381 mm
	Gewicht van product	circa 15 kg
	Gewicht van het product met door de gebruiker aan te drijven wielen	circa 19,5 kg
	Maximaal gebruikersgewicht (Ocean)	150 kg
	Maximaal gebruikersgewicht (Ocean XL)	180 kg

### 10.2 Materialen

Frame	Roestvrij staal, gemoffeld
Zitplaat	Polypropyleen
Rugbekleding	Kunststof, PVC-coating
Voetsteunen/ zijgedeelte	Polypropyleen, glasvezelversterkt
Armsteunkussens	Polypropyleen

Zwenkwielen	Kunststof en roestvrij staal
Loopvlak van wielen van 24"	PUR

Alle onderdelen van het product zijn roestbestendig en bevatten geen natuurrubberlatex.

### 10.3 Omgevingsparameters

<b>Bedrijfsomstandigheden</b>	
Omgevingstemperatuur	10 - 65 °C
Relatieve luchtvochtigheid	15% - 93%, zonder condensvorming
Atmosferische druk	795 - 1060 hPa
<b>Voorschriften voor opslag en transport</b>	
Omgevingstemperatuur	0 - 40 °C
Relatieve luchtvochtigheid	30% - 75%, zonder condensvorming
Atmosferische druk	795 - 1060 hPa

## Invacare distributors:

### Belgium & Luxemburg:

Invacare nv  
Autobaan 22  
B-8210 Loppem  
Tel: (32) (0)50 83 10 10  
Fax: (32) (0)50 83 10 11  
belgium@invacare.com  
www.invacare.be

### France:

Invacare Poirier SAS  
Route de St Roch  
F-37230 Fondettes  
Tel: (33) (0)2 47 62 64 66  
Fax: (33) (0)2 47 42 12 24  
contactfr@invacare.com  
www.invacare.fr

### Nederland:

Invacare BV  
Galvanistraat 14-3  
NL-6716 AE Ede  
Tel: (31) (0)318 695 757  
Fax: (31) (0)318 695 758  
nederland@invacare.com  
www.invacare.nl

### Schweiz / Suisse / Svizzera:

Invacare AG  
Benkenstrasse 260  
CH-4108 Witterswil  
Tel: (41) (0)61 487 70 80  
Fax: (41) (0)61 487 70 81  
switzerland@invacare.com  
www.invacare.ch

### Deutschland:

Invacare GmbH,  
Alemannenstraße 10  
D-88316 Isny  
Tel: (49) (0)7562 700 0  
Fax: (49) (0)7562 700 66  
kontakt@invacare.com  
www.invacare.de

### Ireland:

Invacare Ireland Ltd,  
Unit 5 Seatown Business Campus  
Seatown Road, Swords, County Dublin  
Tel : (353) 1 810 7084  
Fax: (353) 1 810 7085  
ireland@invacare.com  
www.invacare.ie

### Österreich:

Invacare Austria GmbH  
Herzog Odilostrasse 101  
A-5310 Mondsee  
Tel: (43) 6232 5535 0  
Fax: (43) 6232 5535 4  
info-austria@invacare.com  
www.invacare.at

### United Kingdom:

Invacare Limited  
Pencoed Technology Park, Pencoed  
Bridgend CF35 5AQ  
Tel: (44) (0) 1656 776 222  
Fax: (44) (0) 1656 776 220  
uk@invacare.com  
www.invacare.co.uk

### España:

Invacare SA  
c/Areny s/n, Poligon Industrial de Celrà  
E-17460 Celrà (Girona)  
Tel: (34) (0)972 49 32 00  
Fax: (34) (0)972 49 32 20  
contactsp@invacare.com  
www.invacare.es

### Italia:

Invacare Mecc San s.r.l.,  
Via dei Pini 62,  
I-36016 Thiene (VI)  
Tel: (39) 0445 38 00 59  
Fax: (39) 0445 38 00 34  
italia@invacare.com  
www.invacare.it

### Portugal:

Invacare Lda  
Rua Estrada Velha, 949  
P-4465-784 Leça do Balio  
Tel: (351) (0)225 1059 46/47  
Fax: (351) (0)225 1057 39  
portugal@invacare.com  
www.invacare.pt



Aquatec Operations GmbH  
Alemannenstrasse 10  
D-88316 Isny  
Germany



**AQUATEC®**



1552757-G 2018-04-16



**Making Life's Experiences Possible®**

**Yes, you can.®**