

# *Spare Parts Catalogue*

---

Version: 2010/05/10a EN



*Invacare*® **MIRAGE**



**Yes, you can.®**

## **General Information**

*For any order of spare parts the following information is required:*

- Product type*
- Product name & model*
- Serial Number*
- Part-Number*
- Part-Description*

*Exploded view drawings and code numbers are not contractual and subject to modification, in relation to Invacare® continuous product improvement policy to meet end users needs.*

*The reproduction or use of this work, or of any substantial part of this work, in any form or by any electronic, mechanical or other means, including photocopying, scanning and recording, and in any information storage and retrieval system, including electronic transmission, is forbidden without the prior written permission of Invacare® International Sarl.*



Yes, you can.®

## TABLE OF CONTENTS

---

### Information

User Manuals Mirage .....	5
---------------------------	---

### Chassis

Side Frame .....	6
Cross Brace .....	7
Battery Rail Front Fixing Kits .....	8
Hanger Bracket / Seat Lock .....	9

### Seat

Seat Boards .....	10
Seat / Lapbelt .....	11

### Backrest

Recliner Back & 40cm Seat Depth Back Upholstery .....	12
Fixed Back 45cm Seat Depth Tension Adjustable Upholstery .....	13
Standard Back Post 40cm Seat Depth .....	14
Gas Recliner Back Post .....	15
Manual Recliner Back Post .....	16
Manual Recliner Back Post 40cm Seat Depth .....	17
Standard Back Post .....	18
Fixed Backrest Upholstery .....	19

### Legrests

Standard 80 Degree Legrest Hanger .....	20
Manual Elevating Legrests / Calf Pads .....	21

### Footrests

Standard Footplate .....	22
Angle And Depth Adjustable Footplate .....	23
Heel Straps / Calf Pads .....	24
Footplate Reduction Kit .....	25

### Siderests

Siderests .....	26
Armrests .....	27
Inrigged Armrest .....	28

### Front Wheels

Front Castor Wheels .....	29
---------------------------	----

### Rear Wheels

Anti Tipping Wheels .....	30
Rear Wheels .....	31

### Propulsion



**Yes, you can.®**

## **TABLE OF CONTENTS**

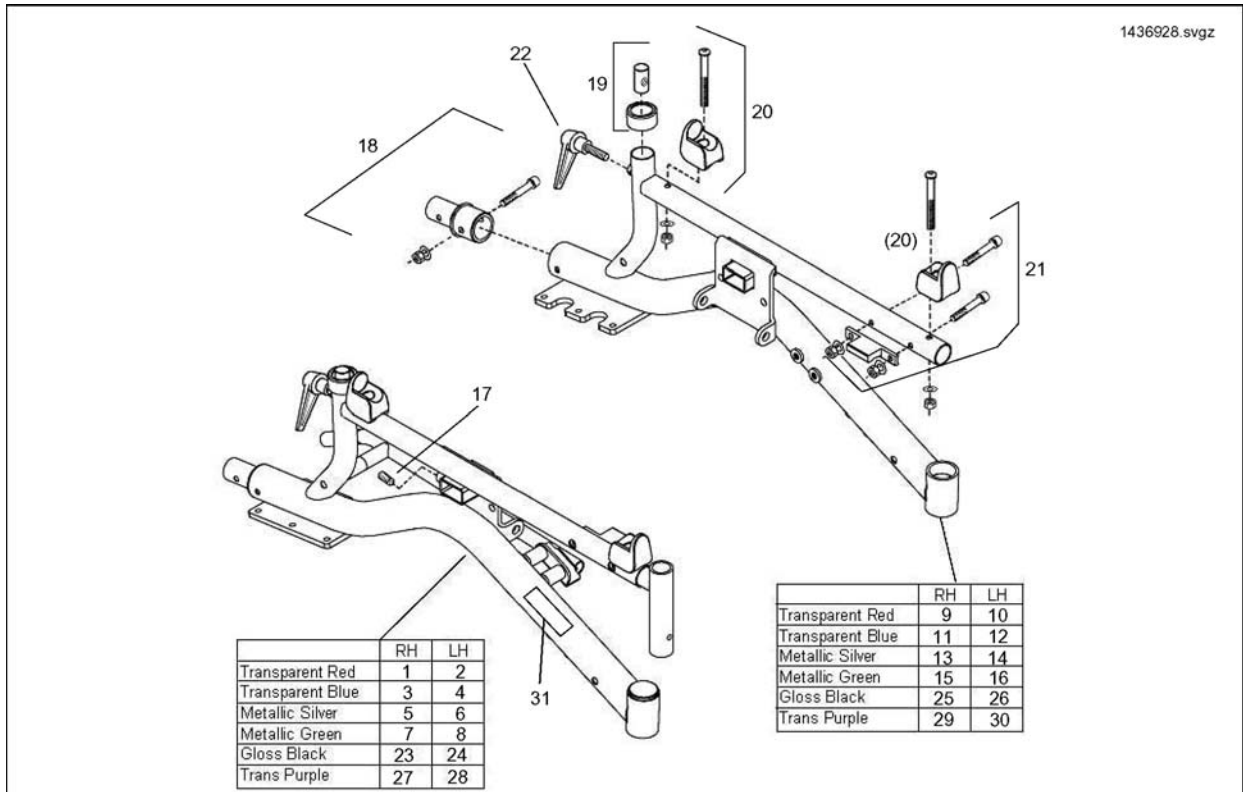
---

Motor Gear Box .....	32
<b>Brakes</b>	
Manual Brakes .....	33
<b>Controls Unit</b>	
Pilot Plus Control .....	34
VR2 Control .....	35
Shark Control System .....	36
Joystick Mounting Arms, Fixed .....	37
Joystick Mounting Arms, Swing Away .....	38
<b>Cables &amp; Chargers</b>	
Batteries & Cables .....	39
Battery Boxes .....	40
Batterie Charger .....	41
<b>Seating Options</b>	
Seat Cushion .....	42
Headrest .....	43
Tray Tables .....	44
Standard Back Post .....	18
<b>Other Options &amp; Accessories</b>	
Crutch Holder / Mirror .....	45
Kerbrider .....	46
Transportation Options .....	47

CS ČESKY	FR FRANÇAIS	PL POLSKI
DA DANSK	HR HRVATSKI	PT PORTUGUÊS
DE DEUTSCH	HU MAGYAR	SK SLOVENČINA
EN ENGLISH	IT ITALIANO	SL SLOVENŠČINA
ES ESPAÑOL	LT LIETUVIŲ KALBA	SV SVENSKA
ET EESTI KEEL	NL NEDERLANDS	RO ROMÂNĂ
FI SUOMEN KIELI	NO NORSK	JA 日本語

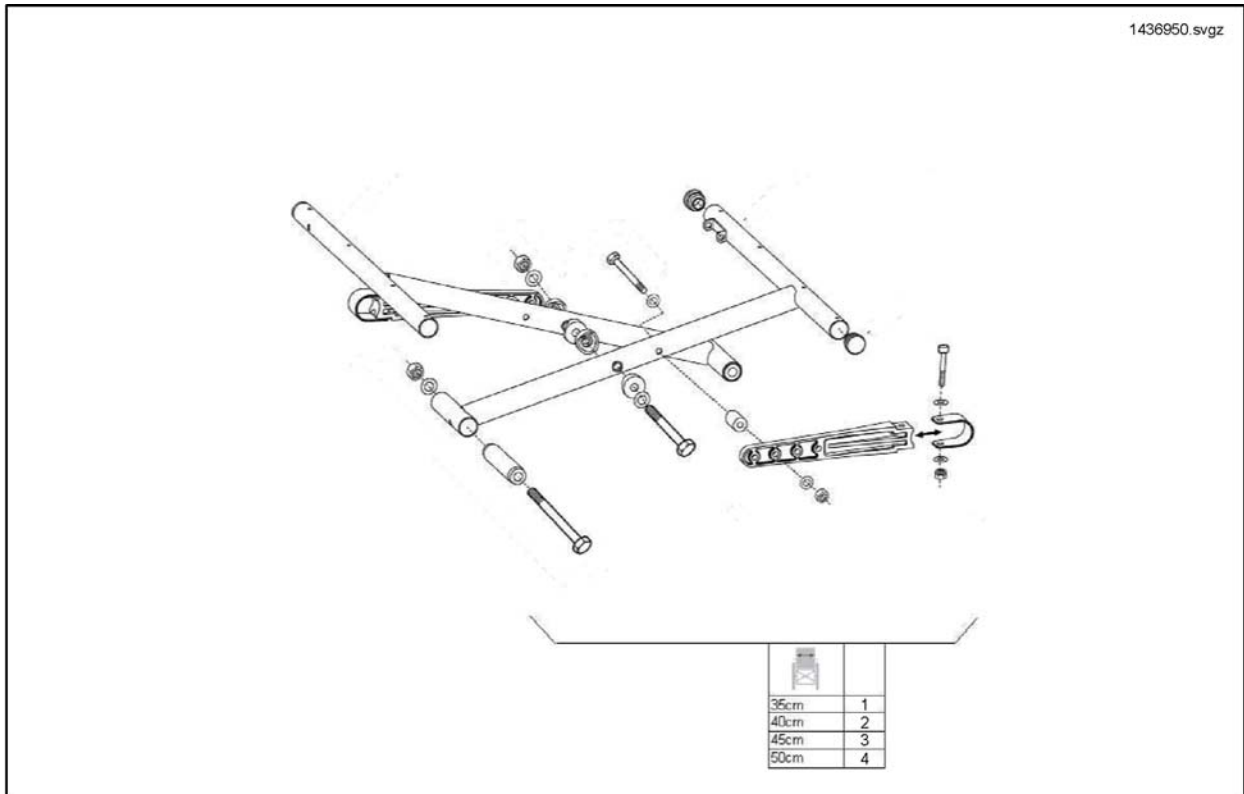
Pos.	Part number	Description	Valid from → until	Qty
	ES 1441768	User Manual Mirage Spanish		1
	IT 1441769	User Manual Mirage Italian		1
	PT 1441770	User Manual Mirage Portuguese		1
	SV 1443204	User Manual Mirage Danish		1
	PL 1468328	User Manual Mirage Polish		1
	DE 1513282	User Manual Mirage German		1
	EN 1513283	User Manual Mirage English		1
	SL 1513284	User Manual Mirage Slovenian		1
	LT 1522406	User Manual Mirage Lithuanian		1
	HR 1524671	User Manual Mirage Croatian		1
	CZ 1524673	User Manual Mirage Czech		1
	NL 1524674	User Manual Mirage Dutch		1
	FR 1524675	User Manual Mirage French		1
	NO 1524676	User Manual Mirage Norwegian		1
	SV 1524677	User Manual Mirage Swedish		1
	FI 1524750	User Manual Mirage Finnish		1

# Side Frame



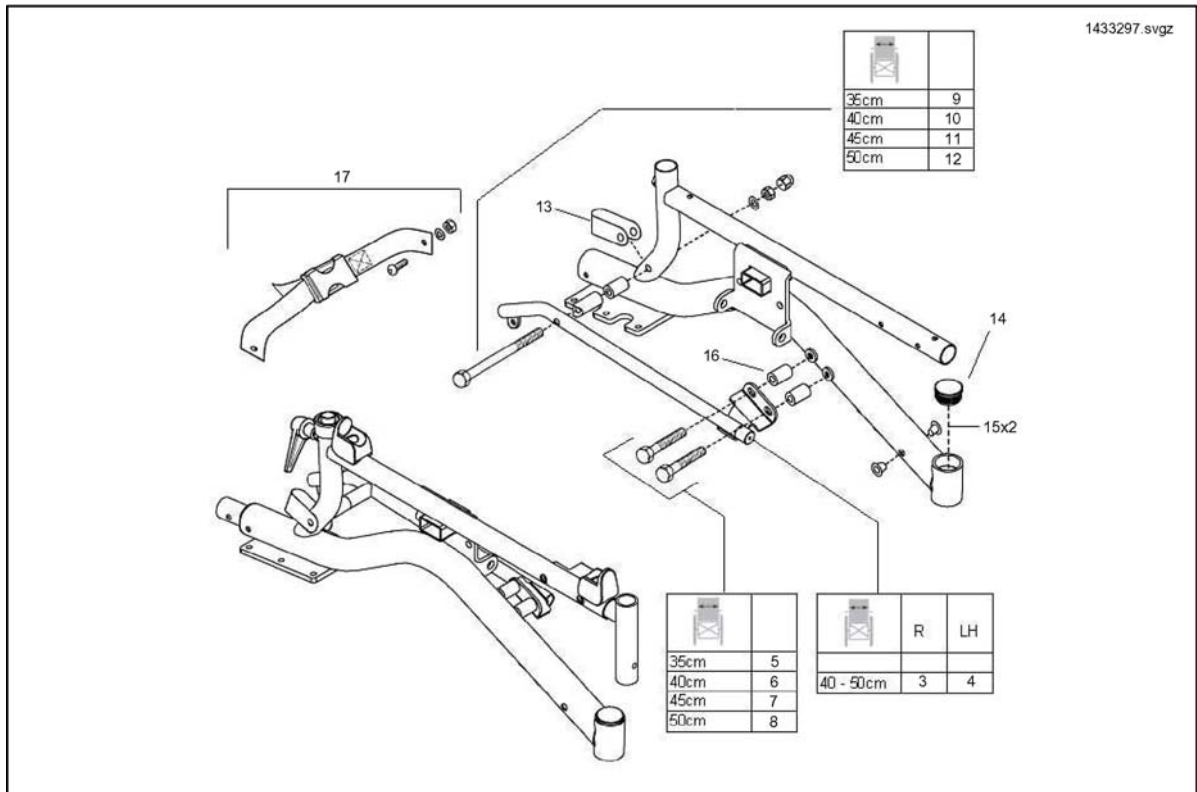
Pos.	Part number	Description	Valid from → until	Qty
1	SP1436930	Sideframe Transparent Blue RH		1
2	SP1436929	Sideframe Transparent Red LH		1
4	SP1436931	Sideframe Transparent Blue LH		1
1	SP1436928	Sideframe Transparent Red RH		1
5	SP1436932	Sideframe Metallic Silver RH		1
6	SP1436933	Sideframe Metallic Silver LH		1
7	SP1436934	Sideframe Metallic Green RH		1
8	SP1436935	Sideframe Metallic Green LH		1
9	1433242-0200	Side Frame Only Transparent Red RH		1
10	1433243-0200	Side Frame Only Transparent Red LH		1
11	1433242-0201	Side Frame Only Transparent Blue RH		1
12	1433243-0201	Side Frame Only Transparent Blue LH		1
13	1433242-0221	Side Frame Only Metallic Silver RH		1
14	1433243-0221	Side Frame Only Metallic Silver LH		1
15	1433242-0222	Side Frame Only Metallic Green RH		1
16	1433243-0222	Side Frame Only Metallic Green LH		1
17	1436923	Armrest Socket Screw		1
18	1436924	Anti Tipper Socket Kit (Use RH/LH)		1
19	1436925	Backrest Fixation Kit (Use RH/LH)		1
20	1436926	Seat Saddle Kit (Used RH/LH/Front/ Rear)		1
21	1436927	Seat Clamp Receiver Kit (Use RH/LH)		1
22	90892410	Armrest Clamp Lever		1
23	SP1441664	Sideframe Gloss Black RH		1
24	SP1441665	Sideframe Gloss Black LH		1
25	1433242-0219	Side Frame Only Gloss Black RH		1
26	1433243-0219	Side Frame Only Gloss Black LH		1
27	SP1442083	Sideframe Transparent Purple RH		1
28	SP1442084	Sideframe Transparent Purple LH		1
29	1433242-0202	Side Frame Only Transparent Purple RH		1
30	1433243-0202	Side Frame Only Transparent Purple LH		1
31	1436665	Mirage Logo - White		1

## Cross Brace



Pos.	Part number	Description	Valid from → until	Qty
1	SP1436950	Cross Brace Comp 35cm W		1
2	SP1436951	Cross Brace Comp 40cm W		1
3	SP1436952	Cross Brace Comp 45cm W		1
4	SP1436953	Cross Brace Comp 50cm W		1

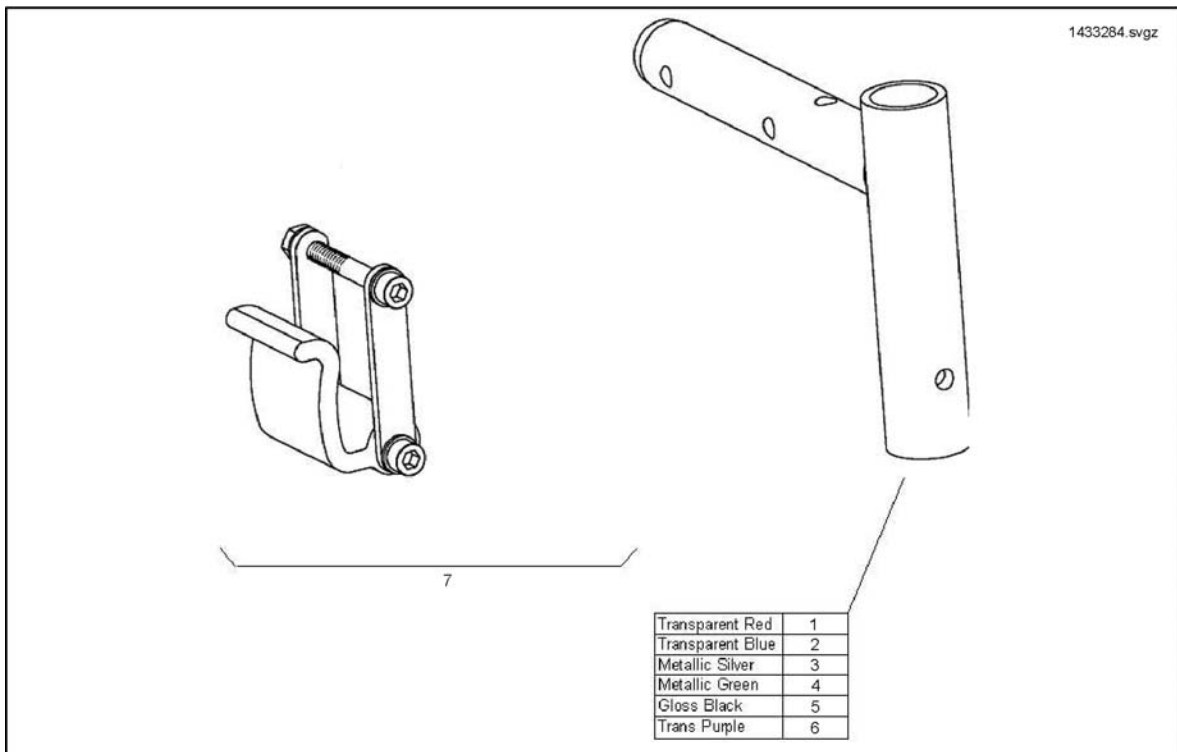
# Battery Rail Front Fixing Kits



Pos.	Part number	Description	Valid from → until	Qty
3	1433297-0216	Battery Rail 40, 45, 50cm W RH		1
4	1433298-0216	Battery Rail 40, 45, 50cm W LH		1
5	1436938	Battery Rail Front Fixing Kit 35cm W		1
6	1436939	Battery Rail Front Fixing Kit 40cm W		1
7	1436940	Battery Rail Front Fixing Kit 45cm W		1
8	1436941	Battery Rail Front Fixing Kit 50cm W		1
9	1436942	Battery Rail Rear Fixing Kit 35cm W		1
10	1436943	Battery Rail Rear Fixing Kit 40cm W		1
11	1436944	Battery Rail Rear Fixing Kit 45cm W		1
12	1436945	Battery Rail Rear Fixing Kit 50cm W		1
13	1433359-0216	Rear Tie-Down Clamp		1
14	L01044	Tube End Plug SI 32		1
15	1436936	Frame Plug Kit		1
16	1436937	Spacer Kit		1
17	1442159	Battery Restraint Strap Kit		1

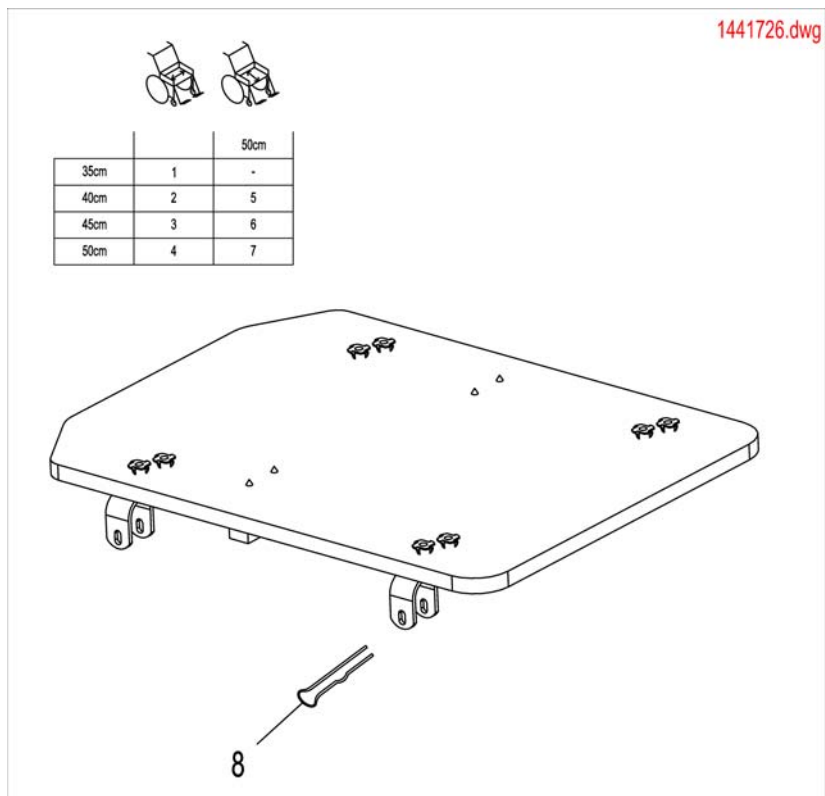


# Hanger Bracket / Seat Lock

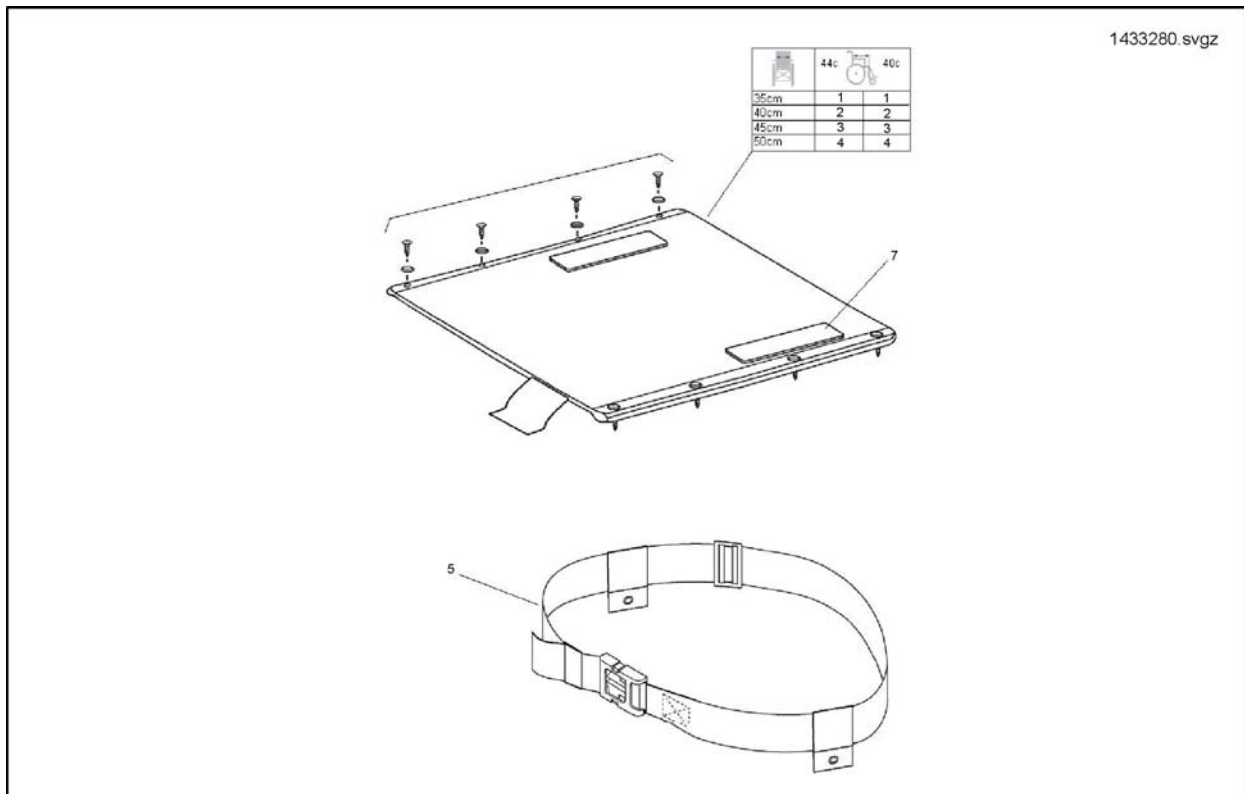


Pos.	Part number	Description	Valid from → until	Qty
1	1433284-0200	Hanger Bracket Transparent Red		1
2	1433284-0201	Hanger Bracket Transparent Blue		1
3	1433284-0221	Hanger Bracket Metallic Silver		1
4	1433284-0222	Hanger Bracket Metallic Green		1
5	1433284-0219	Hanger Bracket Gloss Black		1
6	1433284-0202	Hanger Bracket Transparent Purple		1
7	1441598	Seat Lock Kit (Use For 35/40/45/50cm And RH/LH)		1

# Seat Boards

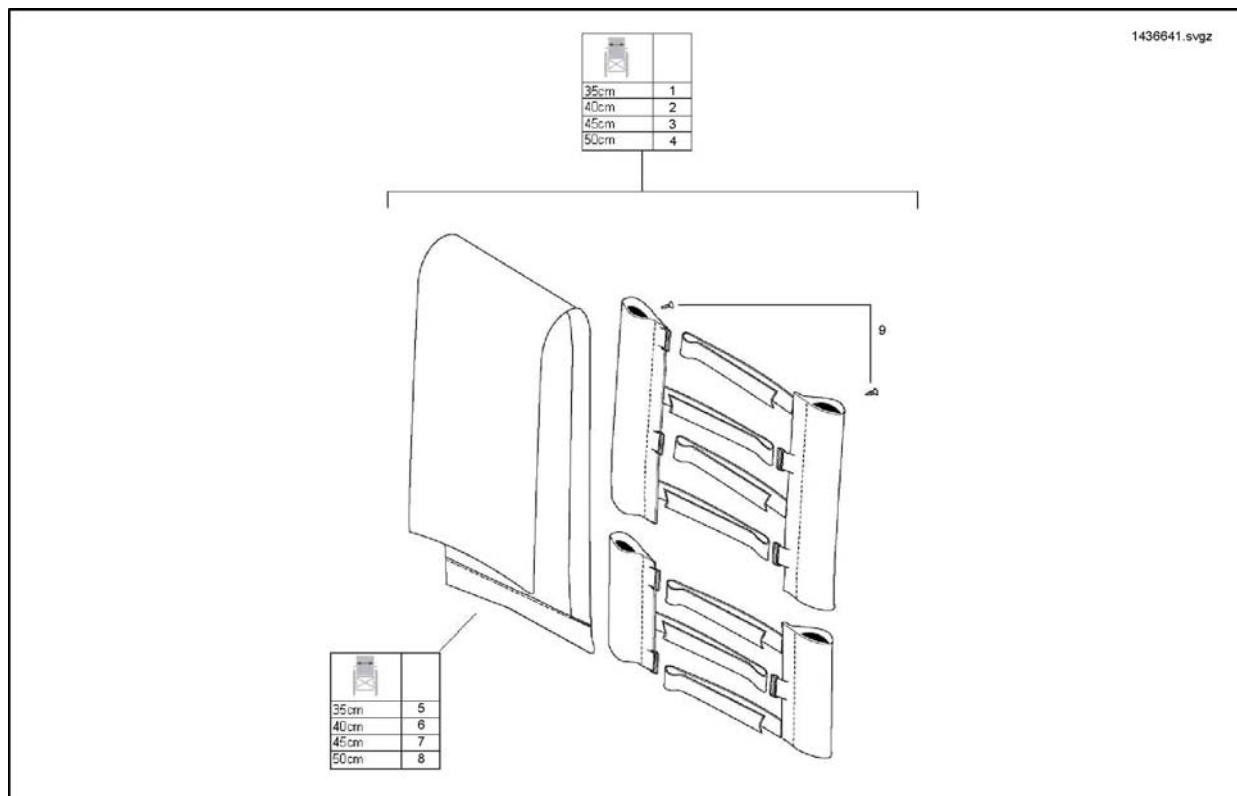


Pos.	Part number	Description	Valid from → until	Qty
1	1441726	Seat Board Complete 35cm W		1
2	1441727	Seat Board Complete 40cm W		1
3	1441728	Seat Board Complete 45cm W		1
4	1441729	Seat Board Complete 50cm W		1
8	1441730	Seat Board Fixing Kit (4 Clips)		1
5	1509859	Seat Board Complete Sb 40cm		1
6	1509861	Seat Board Complete Sb 45cm		1
7	1509863	Seat Board Complete Sb 50cm		1



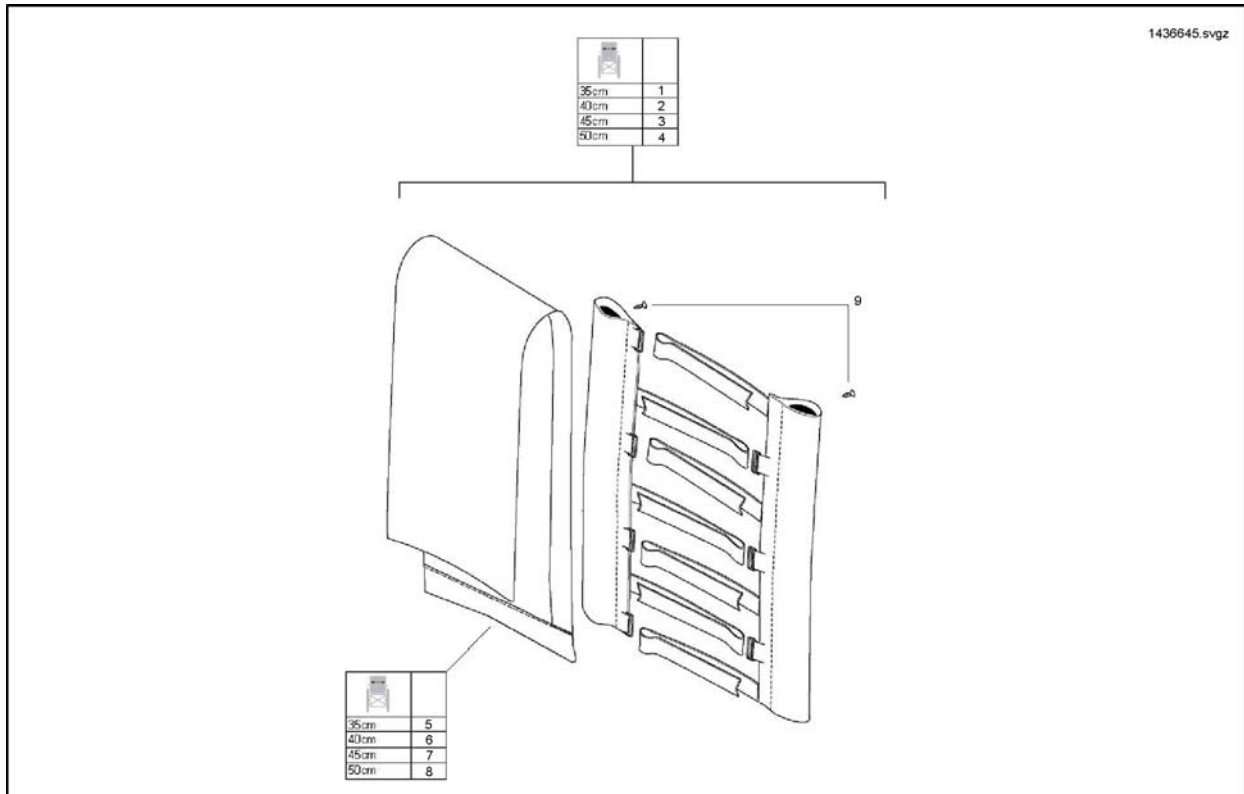
Pos.	Part number	Description	Valid from → until	Qty
1	1433280-0207	Padded Seat Canvas 35cm W		1
2	1433281-0207	Padded Seat Canvas 40cm W		1
3	1433282-0207	Padded Seat Canvas 45cm W		1
4	1433283-0207	Padded Seat Canvas 50cm W		1
5	1530582	Lap belt, on both sides adjustable		1
6	1441617	Seat Canvas Fixation Kit		1

## Recliner Back & 40cm Seat Depth Back Upholstery



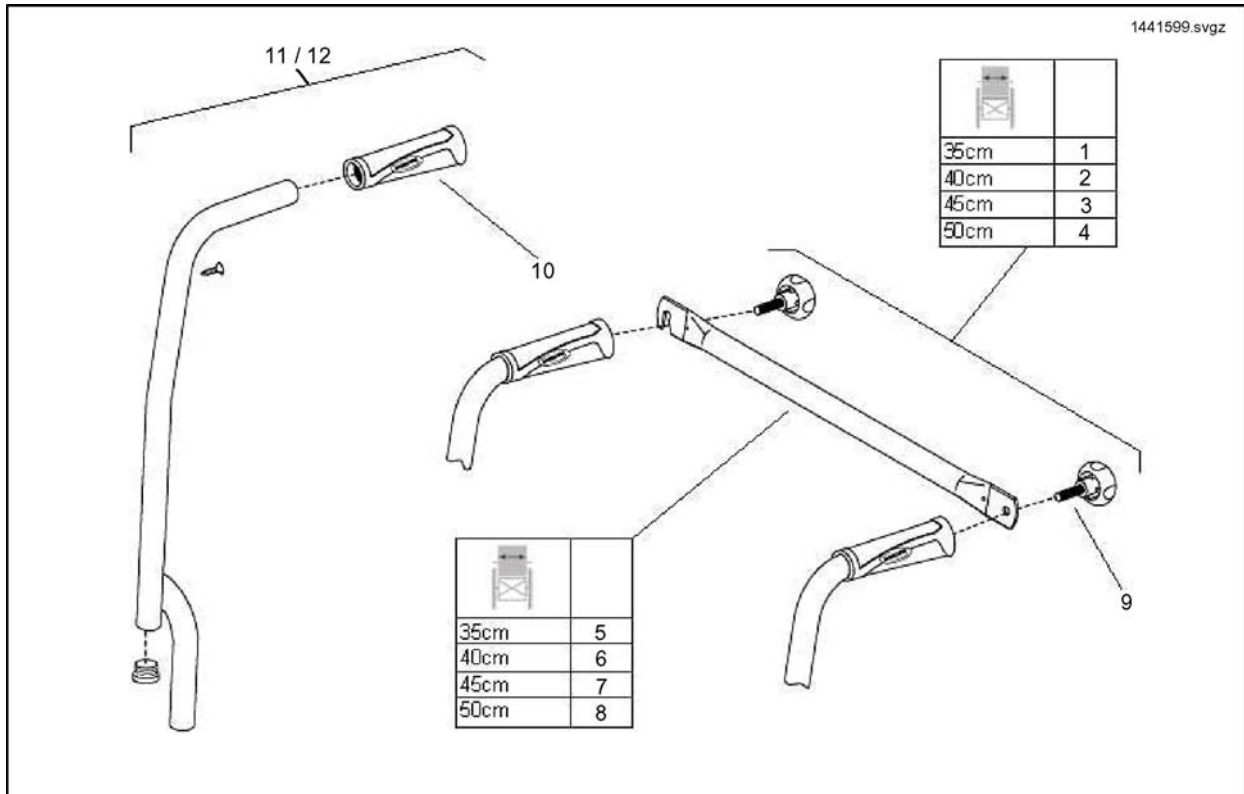
Pos.	Part number	Description	Valid from → until	Qty
1	1436641-0207	Angle Adjustable Tension Back Upholstery Complete 35cm W		1
2	1436642-0207	Angle Adjustable Tension Back Upholstery Complete 40cm W		1
3	1436643-0207	Angle Adjustable Tension Back Upholstery Complete 45cm W		1
4	1436644-0207	Angle Adjustable Tension Back Upholstery Complete 50cm W		1
5	1436628-0207	Tension Adjustable Back Cushion 35cm W		1
6	1436629-0207	Tension Adjustable Back Cushion 40cm W		1
7	1436630-0207	Tension Adjustable Back Cushion 45cm W		1
8	1436631-0207	Tension Adjustable Back Cushion 50cm W		1
9	1441618	Backrest Upholstery Fixing Kit		1

## Fixed Back 45cm Seat Depth Tension Adjustable Upholstery

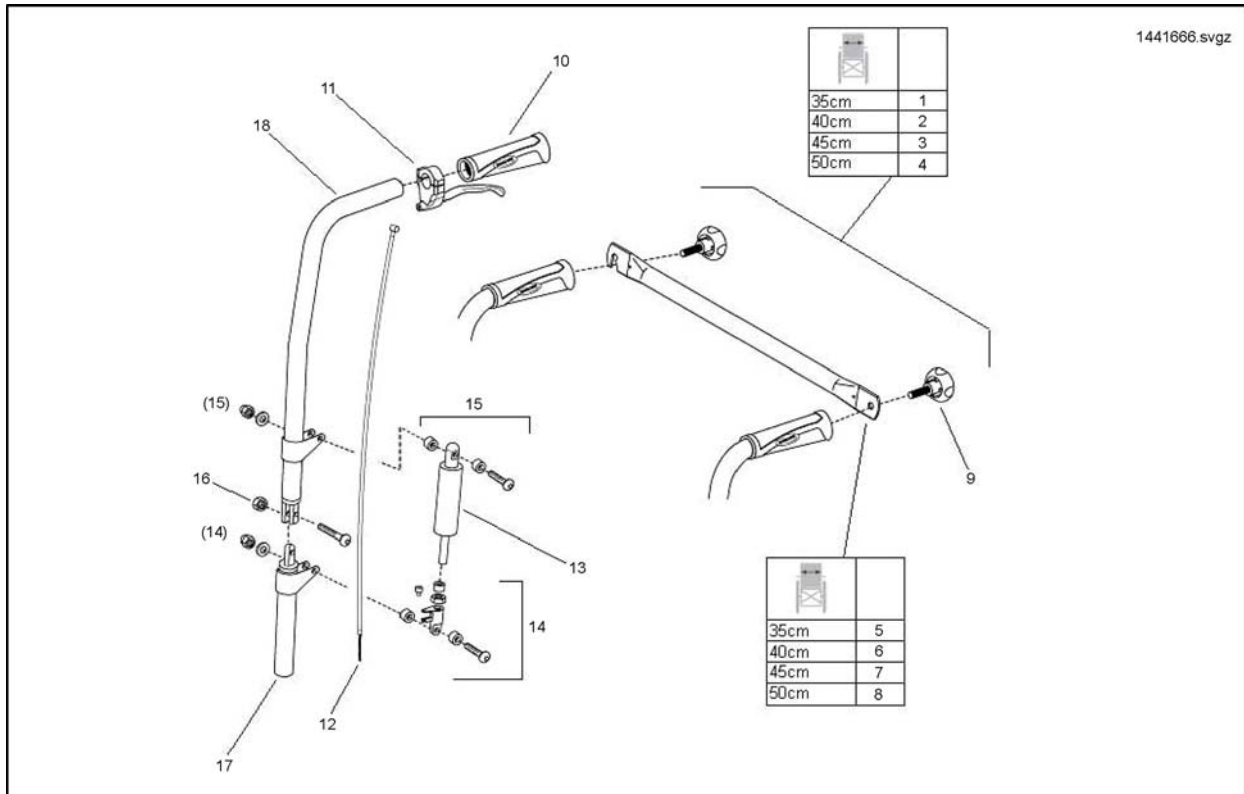


Pos.	Part number	Description	Valid from → until	Qty
1	1436645-0207	Tension Adjustable Back Upholstery Complete 35cm W		1
2	1436646-0207	Tension Adjustable Back Upholstery Complete 40cm W		1
3	1436647-0207	Tension Adjustable Back Upholstery Complete 45cm W		1
4	1436648-0207	Tension Adjustable Back Upholstery Complete 50cm W		1
5	1436628-0207	Tension Adjustable Back Cushion 35cm W		1
6	1436629-0207	Tension Adjustable Back Cushion 40cm W		1
7	1436630-0207	Tension Adjustable Back Cushion 45cm W		1
8	1436631-0207	Tension Adjustable Back Cushion 50cm W		1
9	1441618	Backrest Upholstery Fixing Kit		1

# Standard Back Post 40cm Seat Depth

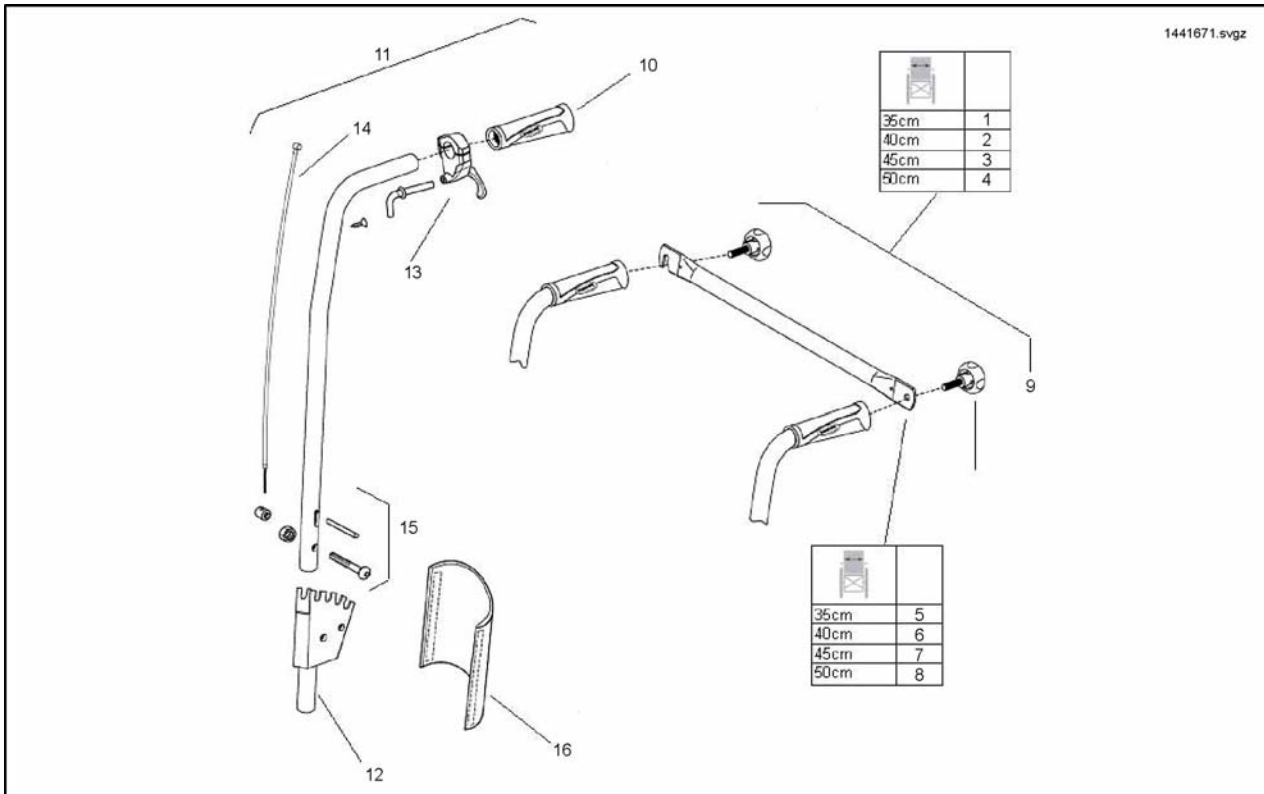


Pos.	Part number	Description	Valid from → until	Qty
1	1441599	Fixed Backrest Posts Complete With Backbrace 35cm W 40cm Depth		1
2	1441600	Fixed Backrest Posts Complete With Backbrace 40cm W 40cm Depth		1
3	1441601	Fixed Backrest Posts Complete With Backbrace 45cm W 40cm Depth		1
4	1441602	Fixed Backrest Posts Complete With Backbrace 50cm W 40cm Depth		1
5	1436637-0216	Back Brace 35cm W		1
6	1436638-0216	Back Brace 40cm W		1
7	1436639-0216	Back Brace 45cm W		1
8	1436640-0216	Back Brace 50cm W		1
9	90288161	Handwheel M8 x 30mm		1
10	1435421	Poignee D22 Invacare 703 REA		1
11	1436868	Fixed Backpost Complete With Hand Grip, Screw And Handwheel		1
12	SP1509867	Backcane 50cm Fixed, cpl.		1



Pos.	Part number	Description	Valid from → until	Qty
1	1441666	Gas Recliner Backrest Posts Complete With Backbrace (No Upholstery) 35cm W		1
2	1441667	Gas Recliner Backrest Posts Complete With Backbrace (No Upholstery) 40cm W		1
3	1441668	Gas Recliner Backrest Posts Complete With Backbrace (No Upholstery) 45cm W		1
4	1441669	Gas Recliner Backrest Posts Complete With Backbrace (No Upholstery) 50cm W		1
5	1436637-0216	Back Brace 35cm W		1
6	1436638-0216	Back Brace 40cm W		1
7	1436639-0216	Back Brace 45cm W		1
8	1436640-0216	Back Brace 50cm W		1
9	90288161	Handwheel M8 x 30mm		1
10	1435421	Poignee D22 Invacare 703 REA		1
12	1441670	Recliner Cable Assembly		1
13	3017/RA/01	Gas Spring		1
14	1441633	Gas Spring Fittings And Lower Fixation Kit		1
15	1441645	Gas Spring Upper Fixation Kit		1
16	1441648	Back Post Fixation Kit		1
17	1433381-0216	Lower Recliner Backpost		1
18	1433380-0216	Upper Recliner Backpost		1
19	1436873	Gas Recliner Backrest Posts C/W Tension Upholstery Without Backbrace 35cm		1
20	1436874	Gas Recliner Backrest Posts C/W Tension Upholstery Without Backbrace 40cm		1
21	1436875	Gas Recliner Backrest Posts C/W Tension Upholstery Without Backbrace 45cm		1
22	1436876	Gas Recliner Backrest Posts C/W Tension Upholstery Without Backbrace 50cm		1

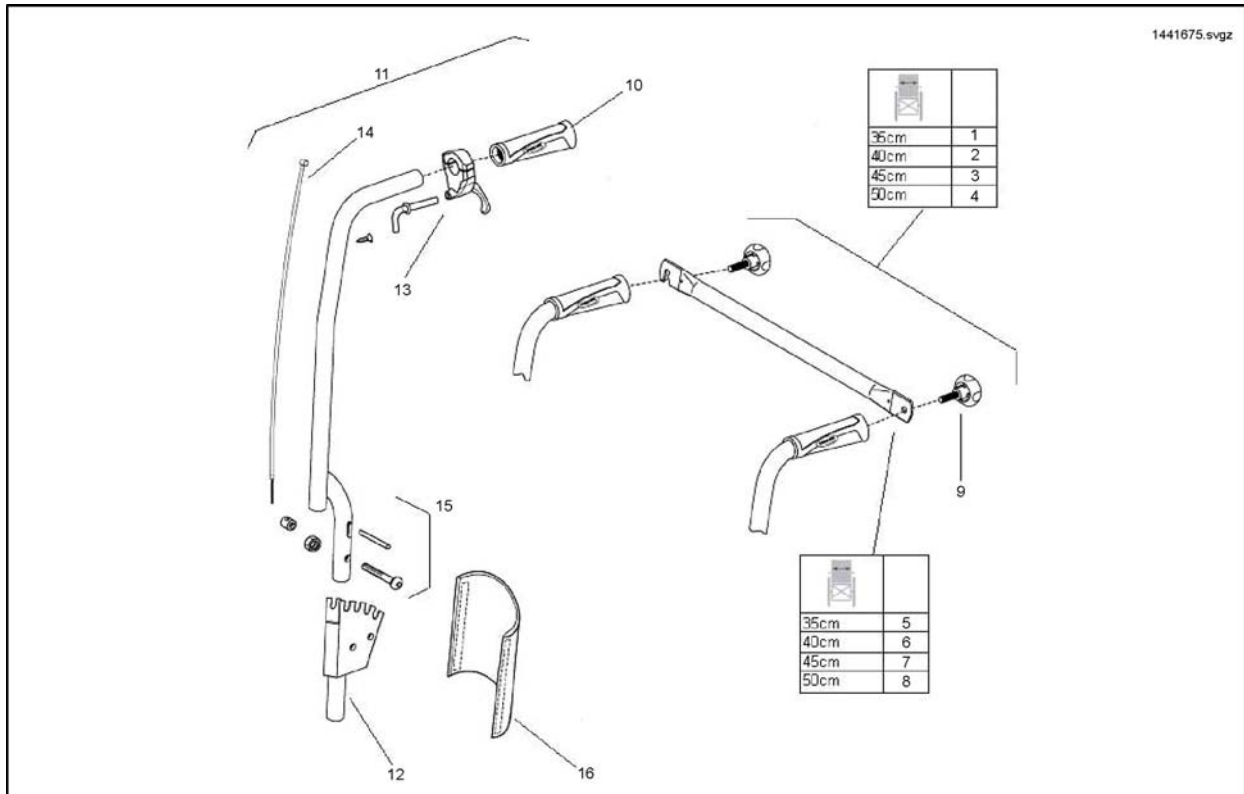
# Manual Recliner Back Post



Pos.	Part number	Description	Valid from → until	Qty
1	1441671	Manual Recliner Backrest Posts Complete With Backbrace (No Upholstery)		1
2	1441672	Manual Recliner Backrest Posts Complete With Backbrace (No Upholstery)		1
3	1441673	Manual Recliner Backrest Posts Complete With Backbrace (No Upholstery)		1
4	1441674	Manual Recliner Backrest Posts Complete With Backbrace (No Upholstery)		1
5	1436637-0216	Back Brace 35cm W		1
6	1436638-0216	Back Brace 40cm W		1
7	1436639-0216	Back Brace 45cm W		1
8	1436640-0216	Back Brace 50cm W		1
9	90288161	Handwheel M8 x 30mm		1
10	1435421	Poignee D22 Invacare 703 REA		1
11	1436870	Manual Recliner Post Top Section Complete		1
12	1436872	Manual Recliner Post Bottom Section Complete		1
13	1433747	Gâchette dossier incl.		1
14	1430851	Kit câble dossier incl.		1
15	1441679	Pivot Fixation Kit		1
16	1442357	Cover Rec B/Rest Ratchet		1

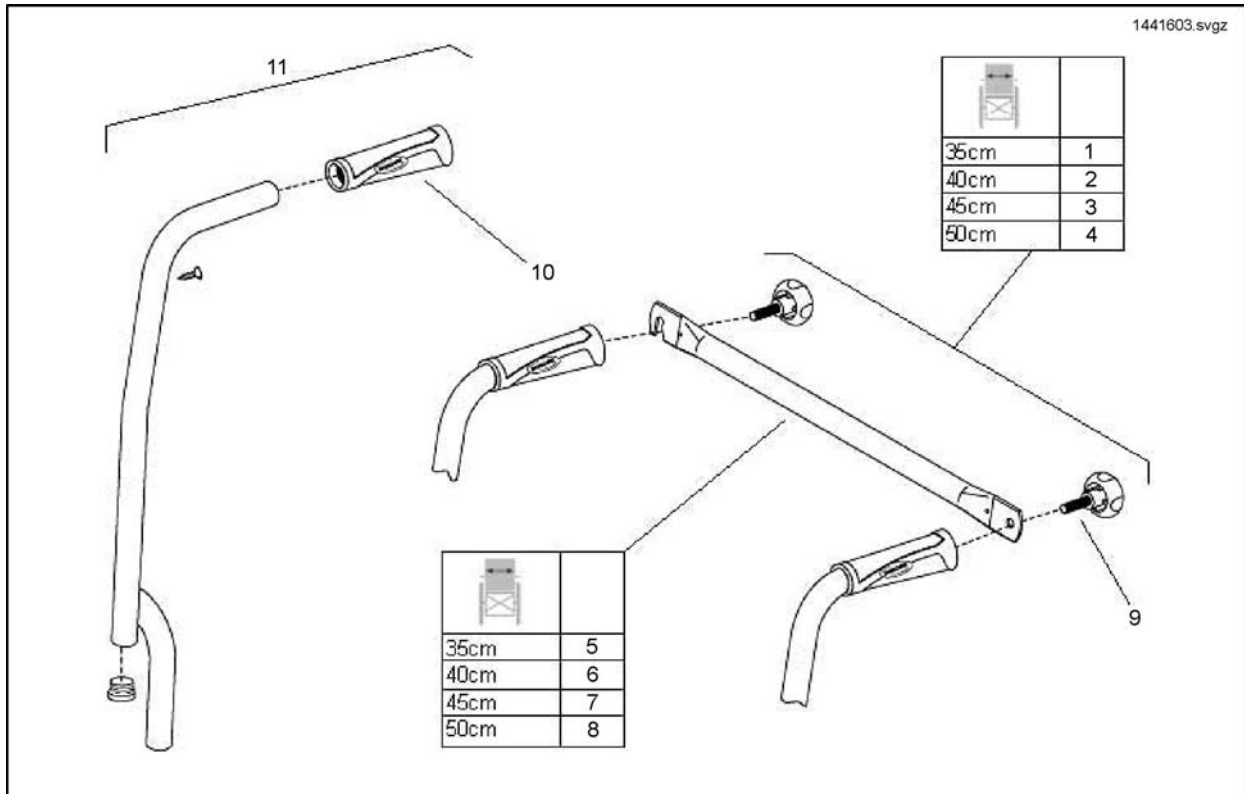


# Manual Recliner Back Post 40cm Seat Depth



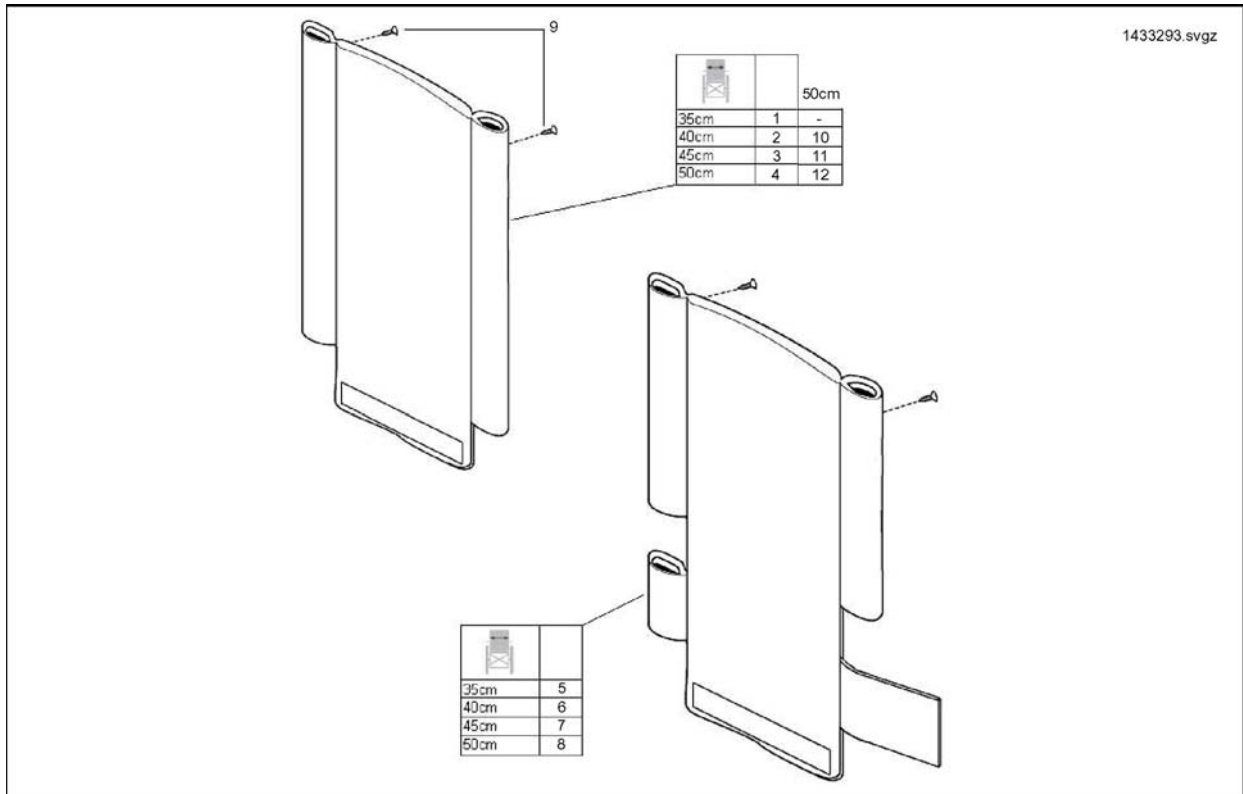
Pos.	Part number	Description	Valid from → until	Qty
1	1441675	Manual Recliner Backrest Posts Cpl. With Backbrace 35cm W 40cm Depth		1
2	1441676	Manual Recliner Backrest Posts Cpl. With Backbrace 40cm W 40cm Depth		1
3	1441677	Manual Recliner Backrest Posts Cpl. With Backbrace 45cm W 40cm Depth		1
4	1441678	Manual Recliner Backrest Posts Cpl. With Backbrace 50cm W 40cm Depth		1
5	1436637-0216	Back Brace 35cm W		1
6	1436638-0216	Back Brace 40cm W		1
7	1436639-0216	Back Brace 45cm W		1
8	1436640-0216	Back Brace 50cm W		1
9	90288161	Handwheel M8 x 30mm		1
10	1435421	Poignée D22 Invacare 703 REA		1
11	1442385	Manual Recliner Post Top Section Complete 40cm Seat Depth		1
12	1436872	Manual Recliner Post Bottom Section Complete		1
13	1433747	Gâchette dossier incl.		1
14	1430851	Kit câble dossier incl.		1
15	1441679	Pivot Fixation Kit		1
16	1442357	Cover Rec B/Rest Ratchet		1

# Standard Back Post



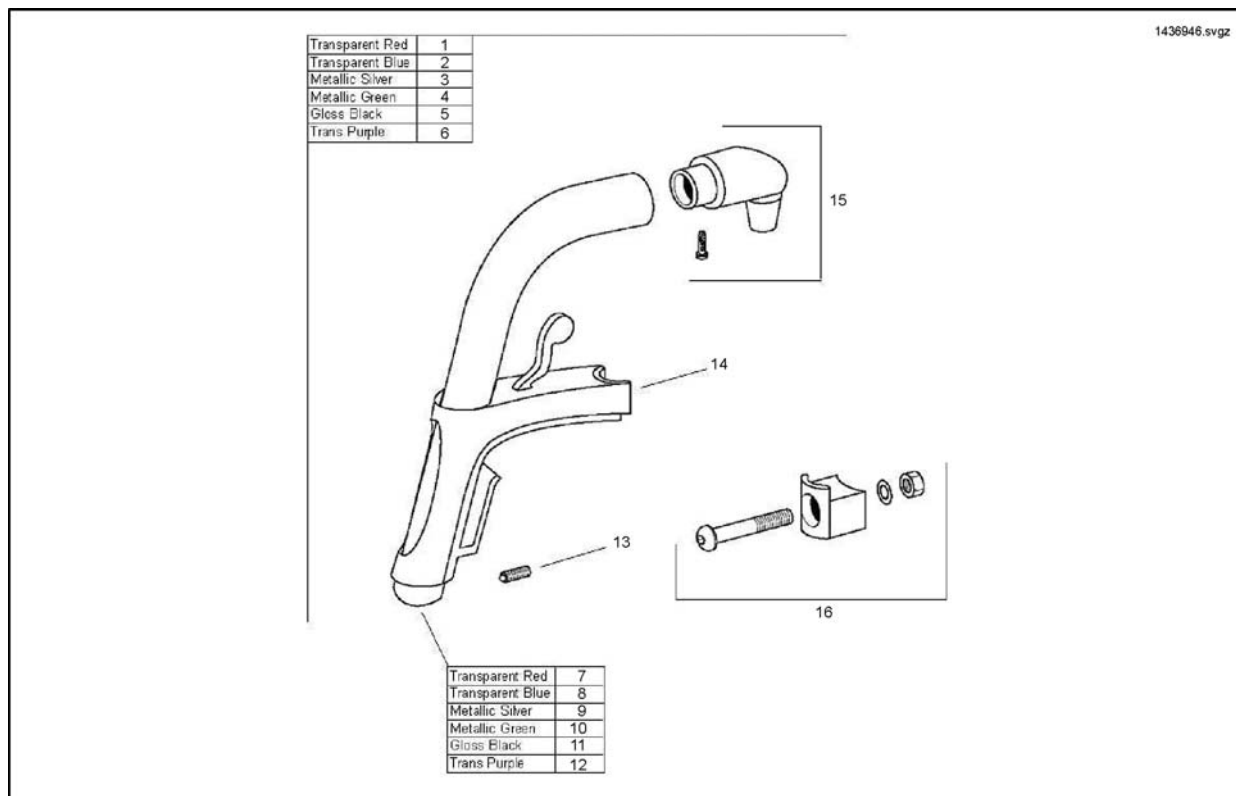
Pos.	Part number	Description	Valid from → until	Qty
1	1441599	Fixed Backrest Posts Complete With Backbrace 35cm W 40cm Depth		1
2	1441600	Fixed Backrest Posts Complete With Backbrace 40cm W 40cm Depth		1
3	1441601	Fixed Backrest Posts Complete With Backbrace 45cm W 40cm Depth		1
4	1441602	Fixed Backrest Posts Complete With Backbrace 50cm W 40cm Depth		1
5	1436637-0216	Back Brace 35cm W		1
6	1436638-0216	Back Brace 40cm W		1
7	1436639-0216	Back Brace 45cm W		1
8	1436640-0216	Back Brace 50cm W		1
9	90288161	Handwheel M8 x 30mm		1
10	1435421	Poignee D22 Invacare 703 REA		1
11	1436868	Fixed Backpost Complete With Hand Grip, Screw And Handwheel		1
11	1436869	FIXED B/POST c/w H/GRIPAND SCREW		1
11	SP1524670	Fixed Backpost Complete With Handgrip, Screw And Handwheel for 40cm Seat Depth		1

# Fixed Backrest Upholstery



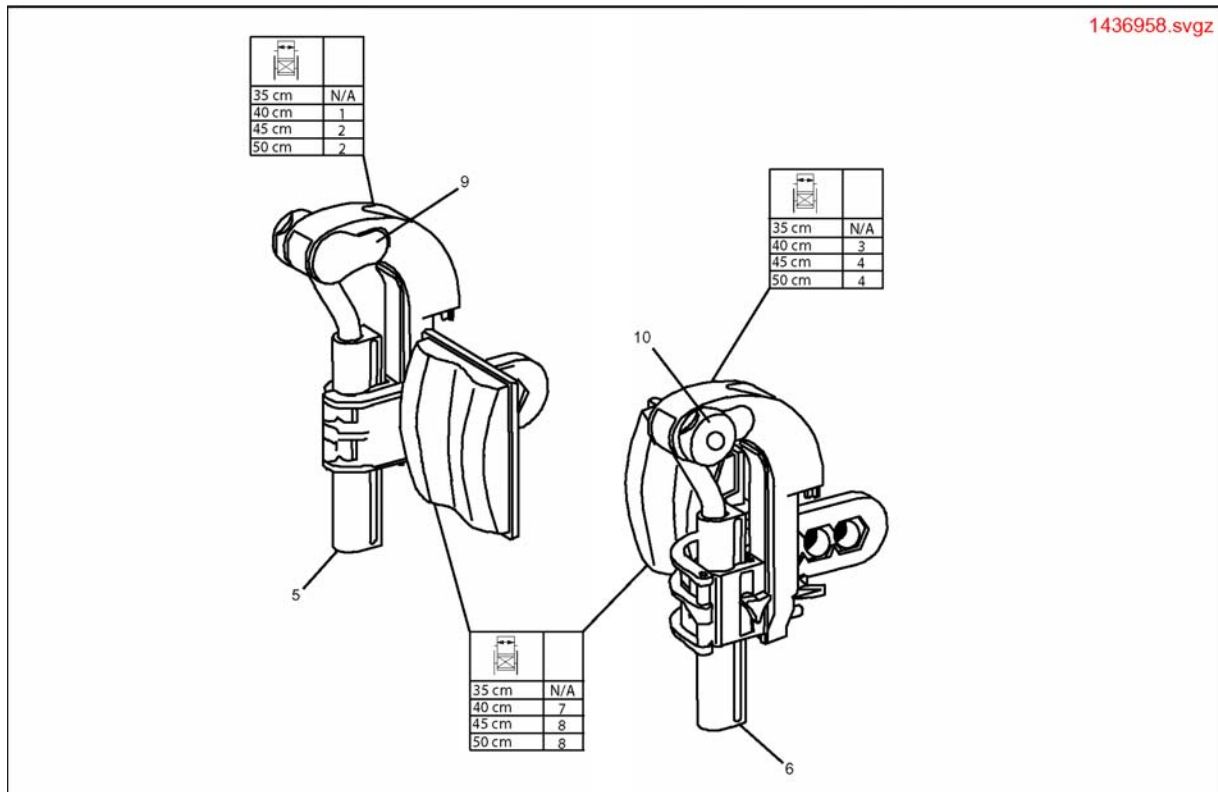
Pos.	Part number	Description	Valid from → until	Qty
1	1433293-0207	Standard Fixed Backrest Upholstery 35cm W		1
2	1433294-0207	Standard Fixed Backrest Upholstery 40cm W		1
3	1433295-0207	Standard Fixed Backrest Upholstery 45cm W		1
4	1433296-0207	Standard Fixed Backrest Upholstery 50cm W		1
5	1433374-0207	Angle Adjustable Backrest Upholstery 35cm W		1
6	1433375-0207	Angle Adjustable Backrest Upholstery 40cm W		1
7	1433376-0207	Angle Adjustable Backrest Upholstery 45cm W		1
8	1433377-0207	Angle Adjustable Backrest Upholstery 50cm W		1
9	1441618	Backrest Upholstery Fixing Kit		1
10	1509971	Backrest Canvas Matrix 40cm W Mirage		1
11	1509972	Backrest Canvas Matrix 45cm W Mirage		1
12	1509973	Backrest Canvas Matrix 50cm W Mirage		1

# Standard 80 Degree Legrest Hanger



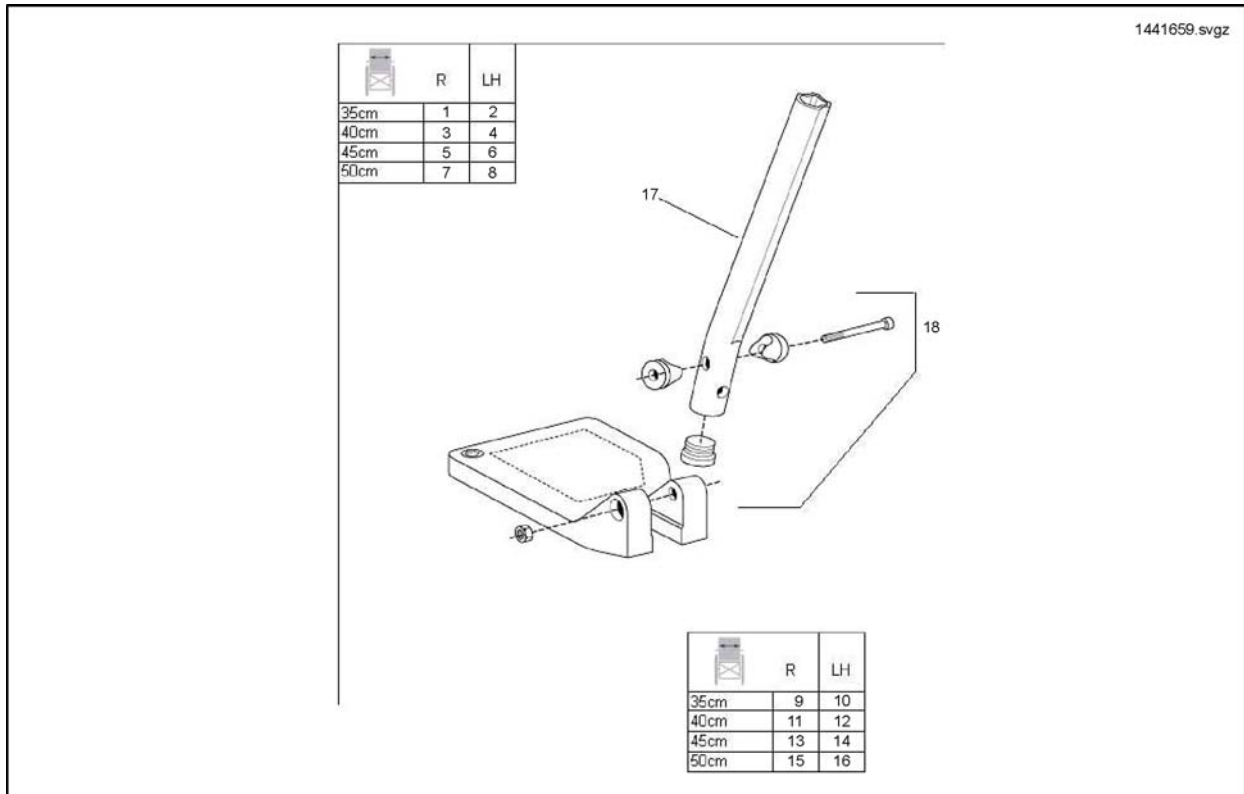
Pos.	Part number	Description	Valid from → until	Qty
1	SP1436946	Legrest Hanger Trans Red		1
2	SP1436947	Legrest Hanger Trans Blue		1
3	SP1436948	Legrest Hanger Metallic Silver		1
4	SP1436949	Legrest Hanger Metallic Green		1
5	SP1441663	Legrest Hanger Gloss Black		1
6	SP1443213	Legrest Hanger Transpurple		1
7	1424539-0200	Legrest Tube Only Transparent Red		1
8	1424539-0201	Legrest Tube Only Transparent Blue		1
9	1424539-0221	Legrest Tube Only Metallic Silver		1
10	1424539-0222	Legrest Tube Only Metallic Green		1
11	1424539-0219	Legrest Tube Only Gloss Black		1
12	1424539-0202	Legrest Tube Only Transparent Purple		1
13	1424571	VIS A BILLE M10X23		1
15	1430426	KIT COUDE DE POTENCE		1
16	1430427	Kit Secteur Verrouillage potence Action A3 A4		1
14	1434362	Bras de potence cplt 80°		1

# Manual Elevating Legrests / Calf Pads



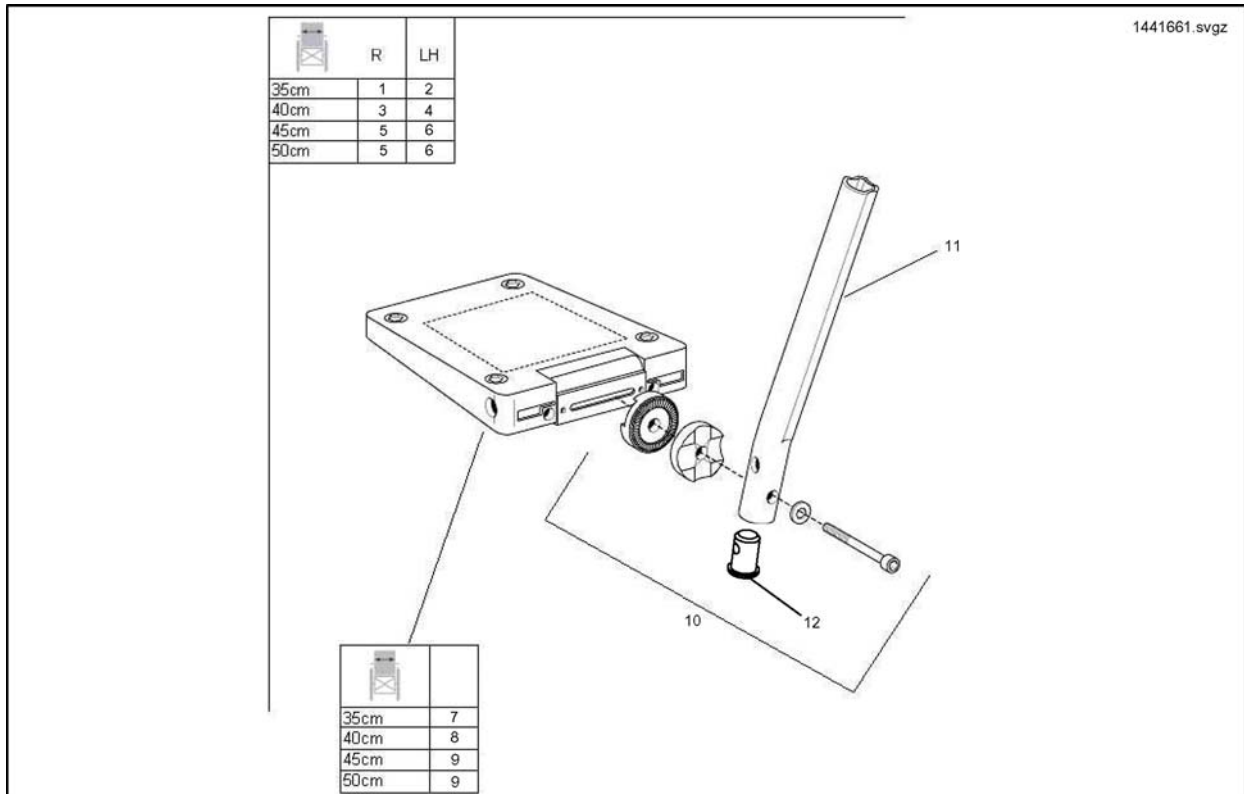
Pos.	Part number	Description	Valid from → until	Qty
1	1436958	RH Elevating Legrest Complete With Calf Pad 40cm W		1
2	1508948	Repose-jambe droit ajustable		1
3	1436960	LH Elevating Legrest Complete With Calf Pad 40cm W		1
4	1508945	Repose-jambe gauche ajustable		1
5	1508948	Repose-jambe droit ajustable		1
6	1508945	Repose-jambe gauche ajustable		1
7	1518531	Calf Support 12		1
9	1428336	MOUSSE PROTEGE GENOU		1
10	1430428	KNOB (ALU2003)		1
8	1518532	Calf Support 15		1

# Standard Footplate



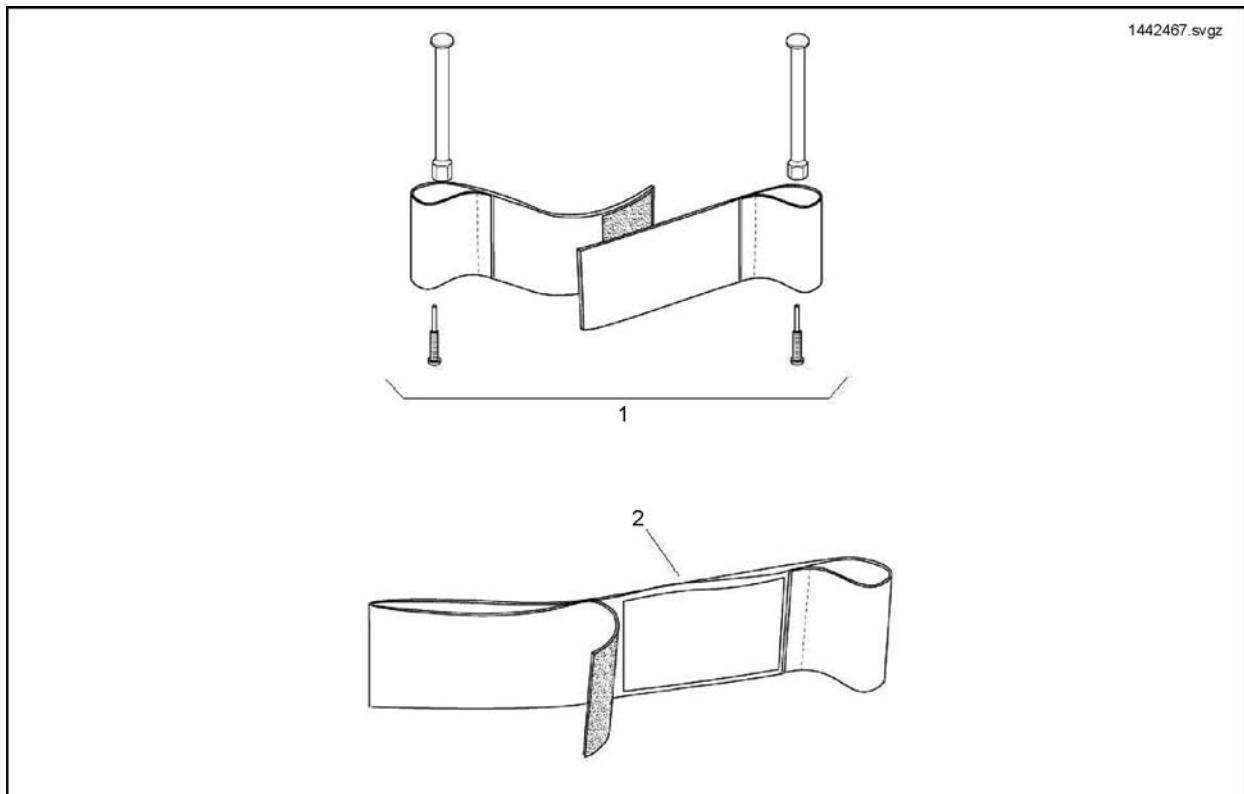
Pos.	Part number	Description	Valid from → until	Qty
1	SP1441659	35cm Footplate RH		1
2	SP1441660	35cm Footplate LH		1
3	SP1428645	Footrest Tube with Footplate for Hanger, cpl.38-40,5cm RH	→ 20100318	1
3	SP1537941	Footrest Tube with Footplate for Hanger, cpl.38-40,5cm RH	20100319 →	1
4	SP1428648	Footrest Tube with Footplate for Hanger, cpl.38-40,5cm LH	→ 20100318	1
4	SP1537943	Footrest Tube with Footplate for Hanger, cpl.38-40,5cm LH	20100319 →	1
5	SP1428646	Footrest Tube with Footplate for Hanger, cpl.43-45,5cm RH	→ 20100318	1
5	SP1537942	Footrest Tube with Footplate for Hanger, cpl.43-45,5cm RH	20100319 →	1
6	SP1428649	Footrest Tube with Footplate for Hanger, cpl.43-45,5cm LH	→ 20100318	1
6	SP1537944	Footrest Tube with Footplate for Hanger, cpl.43-45,5cm LH	20100319 →	1
7	SP1428647	Footrest Tube with Footplate for Hanger, cpl.48-50,5cm RH		1
8	SP1428650	Footrest Tube with Footplate for Hanger, cpl.48-50,5cm LH		1
9	0572-04433	RH Footplate 35cm W		1
10	0572-04447	LH Footplate 35cm W		1
11	1428341	FOOTPLATE 19, RIGHT	20100319 →	1
11	SP1529642	FOOTPLATE 19, RIGHT	20100319 →	1
12	1428340	FOOTPLATE 19, LEFT	→ 20100319	1
12	SP1529643	FOOTPLATE 19, LEFT	20100319 →	1
13	1424575	FOOTPLATE 21, RIGHT	→ 20100319	1
13	SP1529644	FOOTPLATE 21, RIGHT	20100319 →	1
14	1424574	FOOTPLATE 21, LEFT	→ 20100319	1
14	SP1529645	FOOTPLATE 21, LEFT	20100319 →	1
15	1428347	FOOTPLATE 24, RIGHT	→ 20100319	1
15	SP1529646	FOOTPLATE 24, RIGHT	20100319 →	1
16	1428346	FOOTPLATE 24, LEFT	→ 20100319	1
16	SP1529647	FOOTPLATE 24, LEFT	20100319 →	1
17	1424540	Footrest Tube, Short		1
18	1430433	KIT VISSERIE R-P		1

# Angle And Depth Adjustable Footplate



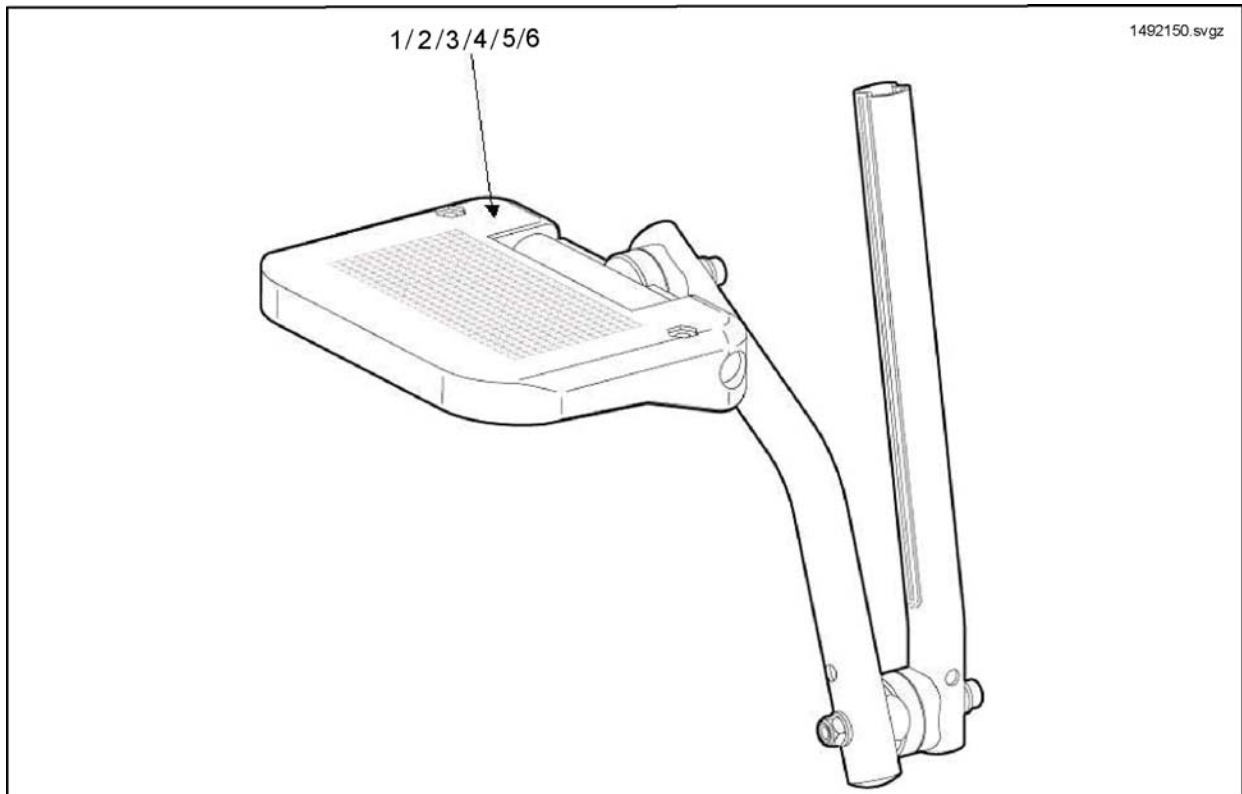
Pos.	Part number	Description	Valid from → until	Qty
-	1511828	Footplate Extension cmpl. 45-50cm LH		1
-	1511827	Footplate Extension cmpl. 40cm RH		1
-	1511826	Footplate Extension cmpl. 40cm LH		1
-	1511829	Footplate Extension cmpl. 45-50cm RH		1
1	1441661	RH Angle Adjustable Footplate Assembly 35cm W		1
2	1441662	LH Angle Adjustable Footplate Assembly 35cm W		1
3	1442359	RH Angle Adjustable Footplate Assembly 40cm W		1
4	1442360	LH Angle Adjustable Footplate Assembly 40cm W		1
5	1442361	RH Angle Adjustable Footplate Assembly 45/50cm W		1
6	1442362	LH Angle Adjustable Footplate Assembly 45/50cm W		1
7	5106371	FOOTPLATE 11 AA, CPL.		1
8	5106374	Palette size 141 régl. en angle et profondeur		1
9	5106375	Palette size 156 régl. en angle et profondeur		1
10	1430839	Kit visserie R-P 38/45,5 régl.		1
11	1424540	Footrest Tube, Short		1
12	1440041	Plug, Steel		1

## Heel Straps / Calf Pads



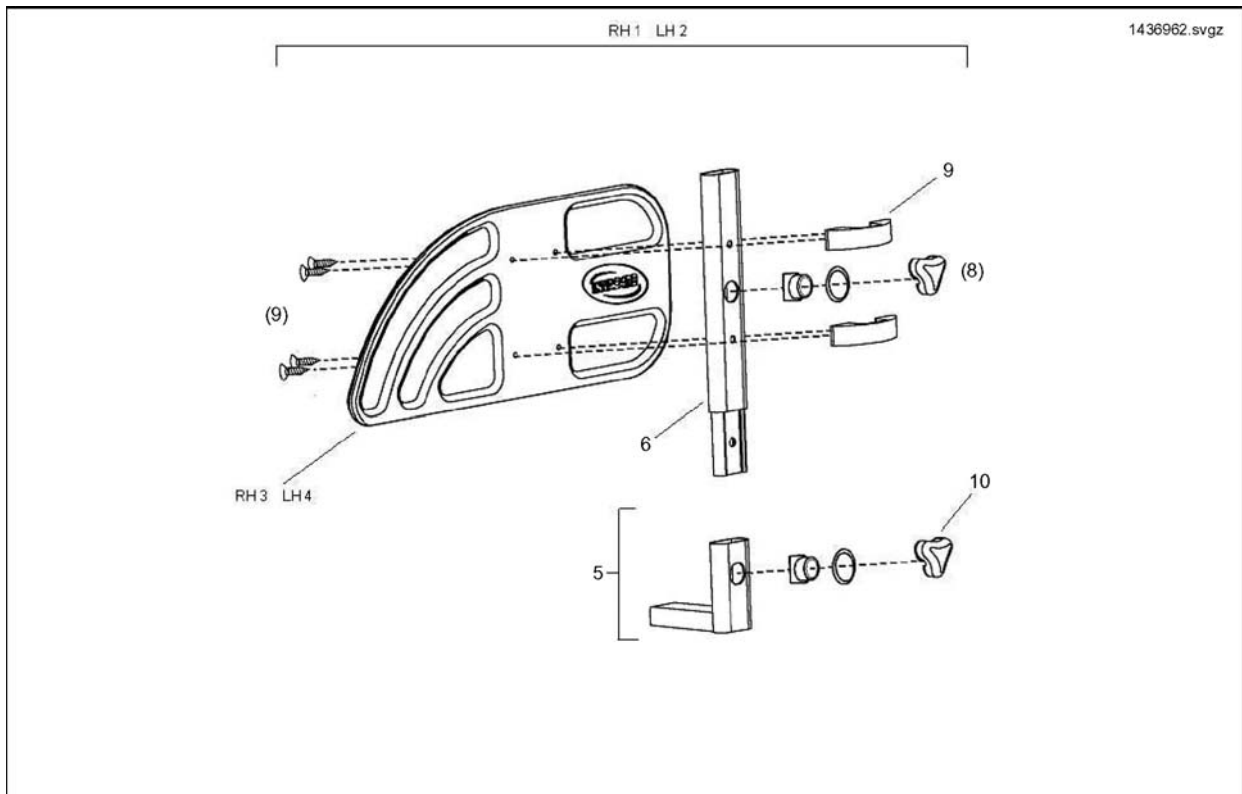
Pos.	Part number	Description	Valid from → until	Qty
1	1442467	Heel Strap Kit		1
1	1430402	HEELSTRAP COMPLETE <i>Adapt Footrest 35cm</i>		1
2	99000236	Calf Strap (Up to 20")		1





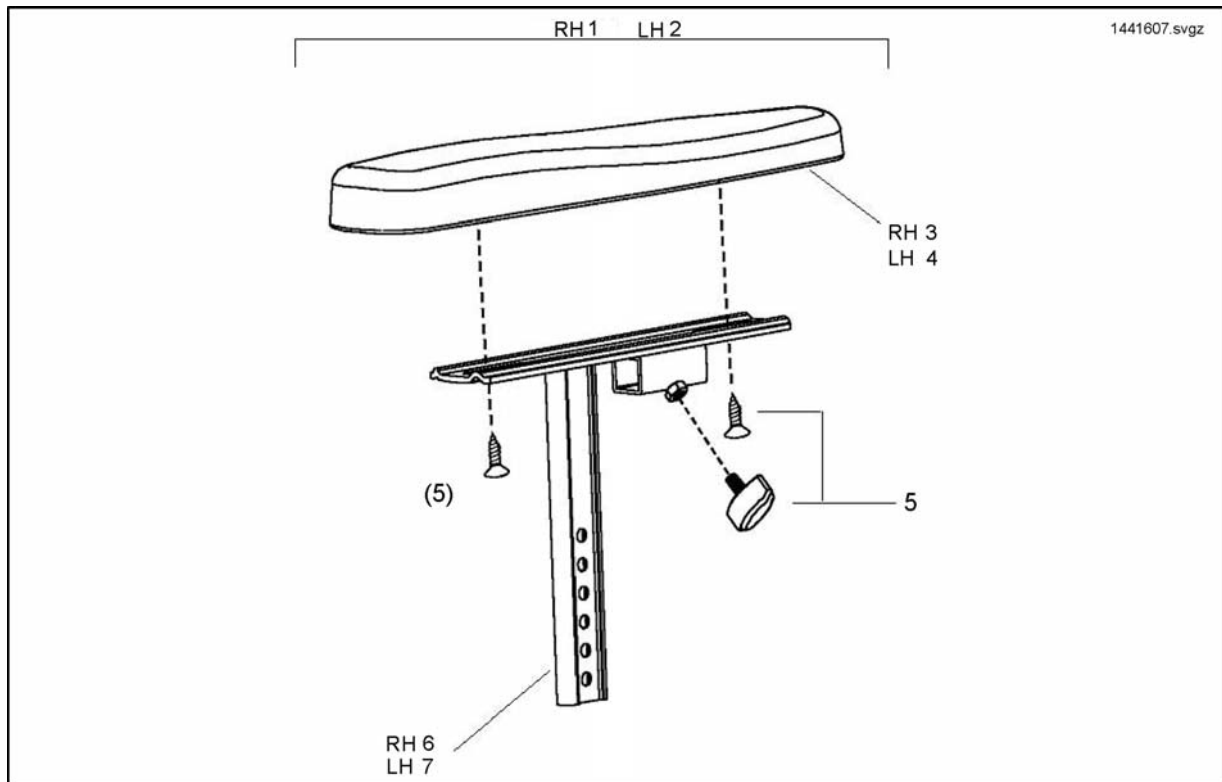
Pos.	Part number	Description	Valid from → until	Qty
1	1492150	LH Mirage Footplate Reduction Kit - 35cm Footplate		1
2	1492149	RH Mirage Footplate Reduction Kit - 35cm Footplate		1
3	1492148	LH Mirage Footplate Reduction Kit - 41cm Footplate		1
4	1492147	RH Mirage Footplate Reduction Kit - 41cm Footplate		1
5	1492154	LH Mirage Footplate Reduction Kit - 43cm Footplate		1
6	1492153	RH Mirage Footplate Reduction Kit - 43cm Footplate		1

# Siderests



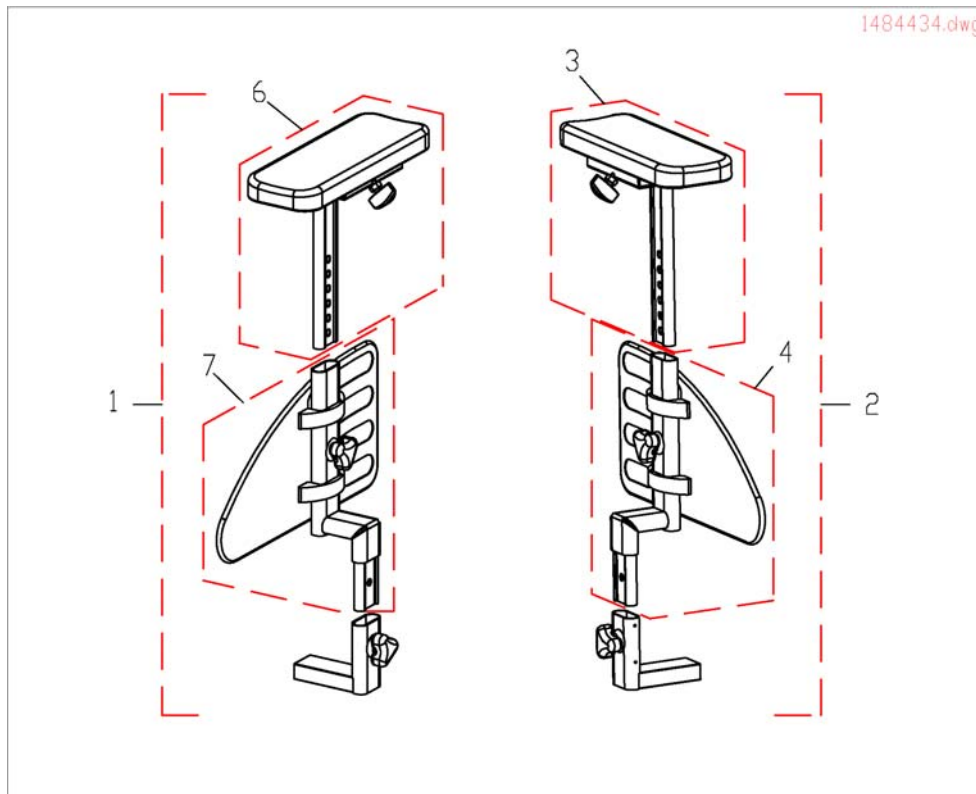
Pos.	Part number	Description	Valid from → until	Qty
5	1485103	Armrest Socket compl. (long)		1
1	SP1436962	RH A/Rest Mid Section		1
2	SP1436963	LH A/Rest Mid Section		1
3	1433292	Skirt-Guard RH		1
4	1433291	Skirt-Guard LH		1
5	SP1436966	A/Rest Socket Complete (short)		1
6	1433393-0216	Armrest Mid Section Tube		1
7	1433389-0216	Armrest Mounting Bracket Short		1
8	1436964	Armrest Adjustment Handwheel Kit		1
9	1436965	Skirt Guard Fixation Kit (2Xbracket 4Xscrews)		1
10	1434623	Ball Screw Court 7,5mm		1
-	P31298	Reflector, Yellow		1

## Armrests

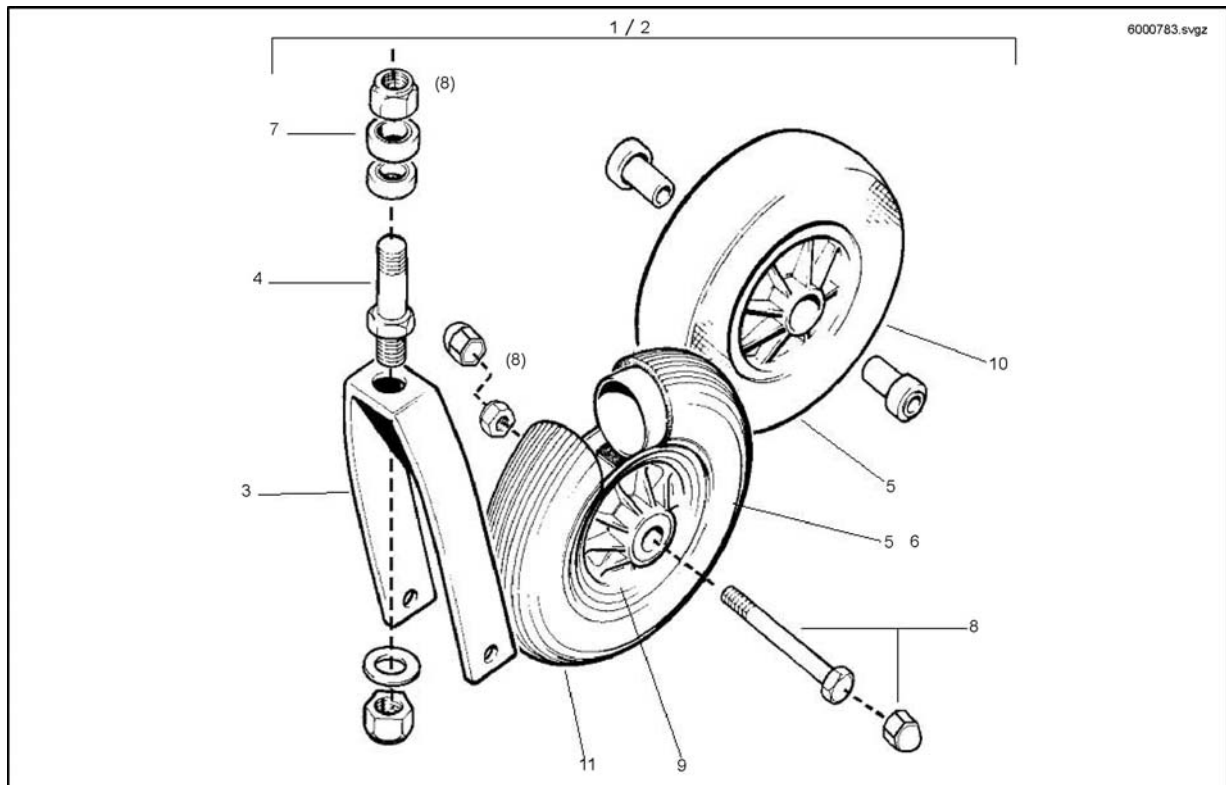


Pos.	Part number	Description	Valid from → until	Qty
1	SP1441607	Armrest RH compl.		1
2	SP1441608	Armrest LH compl.		1
3	1433327	RH Ergonomic Armpad		1
4	1433328	LH Ergonomic Armpad		1
5	1436967	Armrest Top Fixation Kit		1
6	1433316-0216	RH Armrest Top Tube Only		1
7	1433317-0216	LH Armrest Top Tube Only		1

# Inrigged Armrest

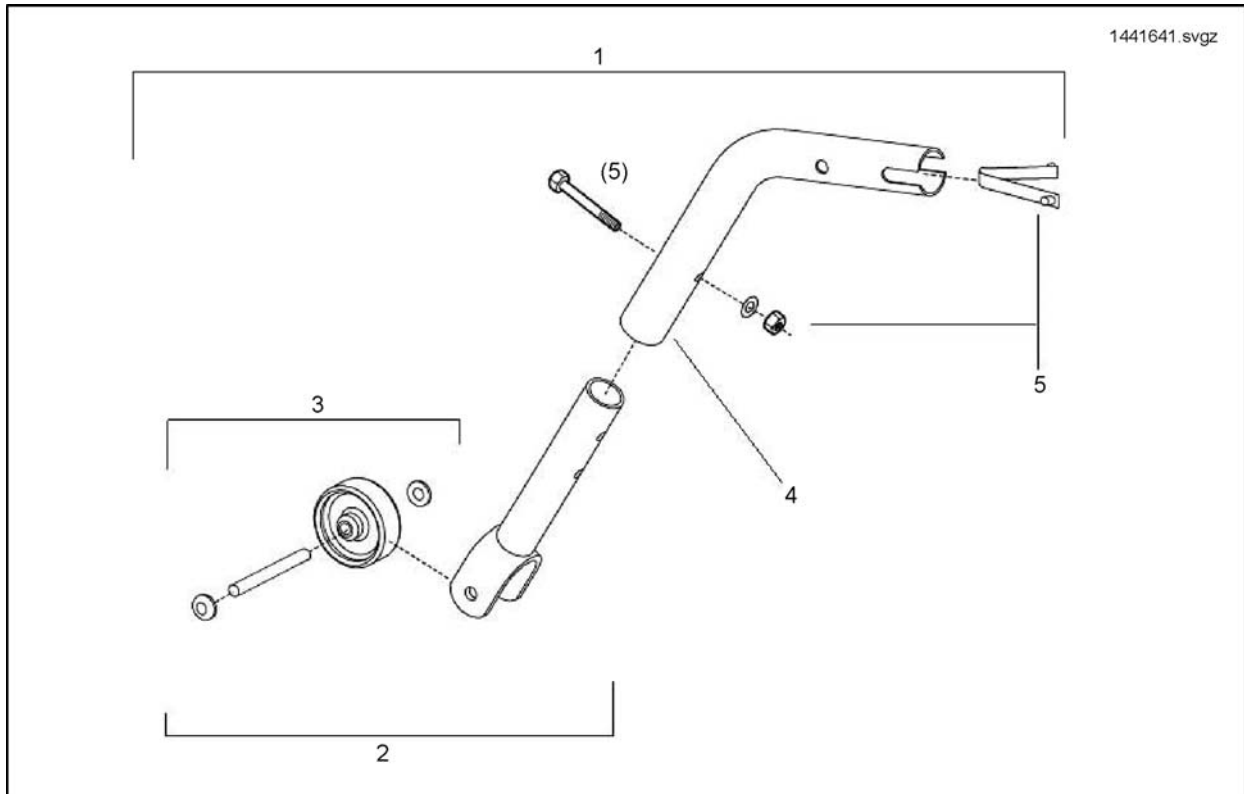


Pos.	Part number	Description	Valid from → until	Qty
1	1484434	Inrigged Armrest Assy Complete RH		1
2	1484432	Inrigged Armrest Assy Complete RH		1
3	1484602	Inrigged Armrest Top Section Complete RH		1
4	1484655	Inrigged Armrest Mid Section Complete RH		1
6	1484601	Inrigged Armrest Top Section Complete LH		1
7	1484600	Inrigged Armrest Mid Section Complete LH		1



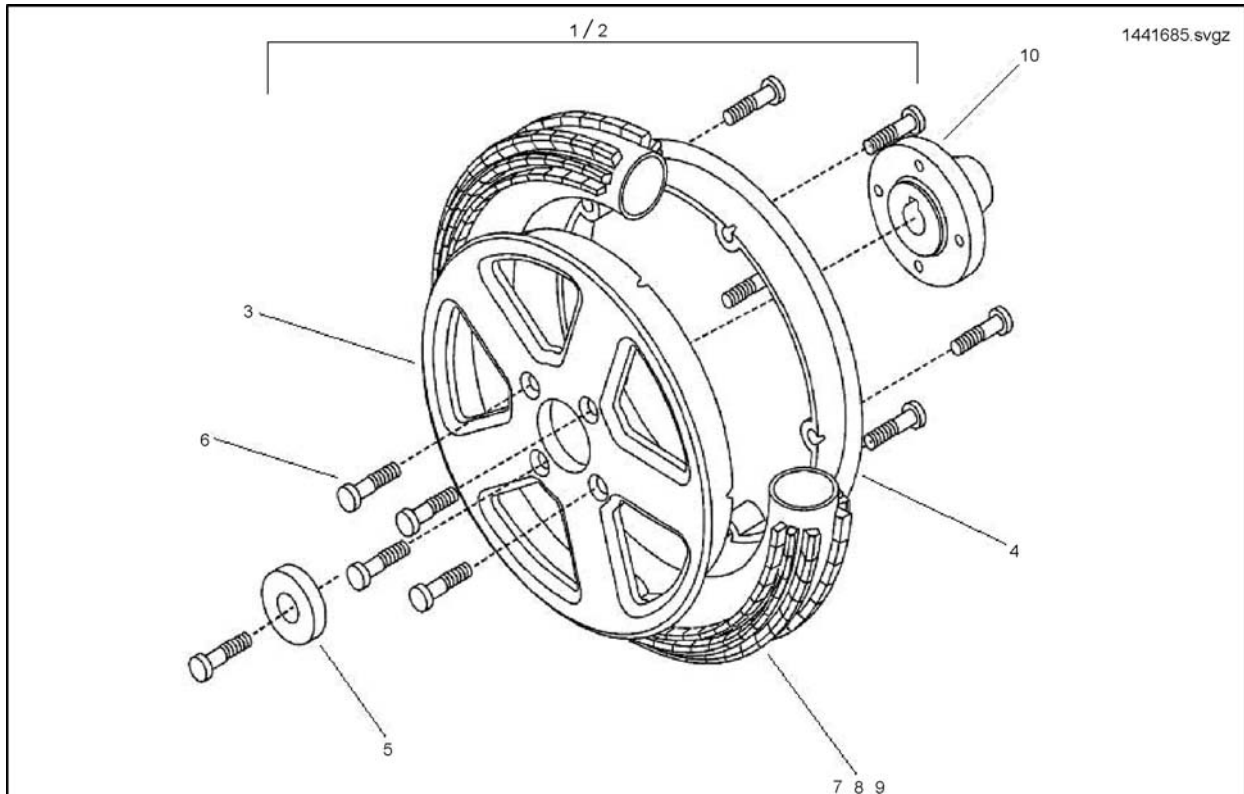
Pos.	Part number	Description	Valid from → until	Qty
1	SP6000783	Fork Kpl. 200 X 50 Air		1
2	SP6000784	Fork Kpl. 200X50 Ps		1
3	D122011A	Castor Fork		1
4	6000811	Castor Stem		1
5	M11010	TYRE, 200 X 50, GROOVED, GREY		1
6	M12017	Castor Inner Tube 200x50, kpl		1
7	N00204	Castor Bearing (each)		1
8	1441652	Castor Fixing Kit		1
9	6002806	Wheel Hub Centre Pneumatic Type		1
10	5004534	Castor Wheel Solid Tyre Complete With Bearings		1
11	U121051	Wheel 200X50 With 2-Part Rim, Black/Grey		1

# Anti Tipping Wheels



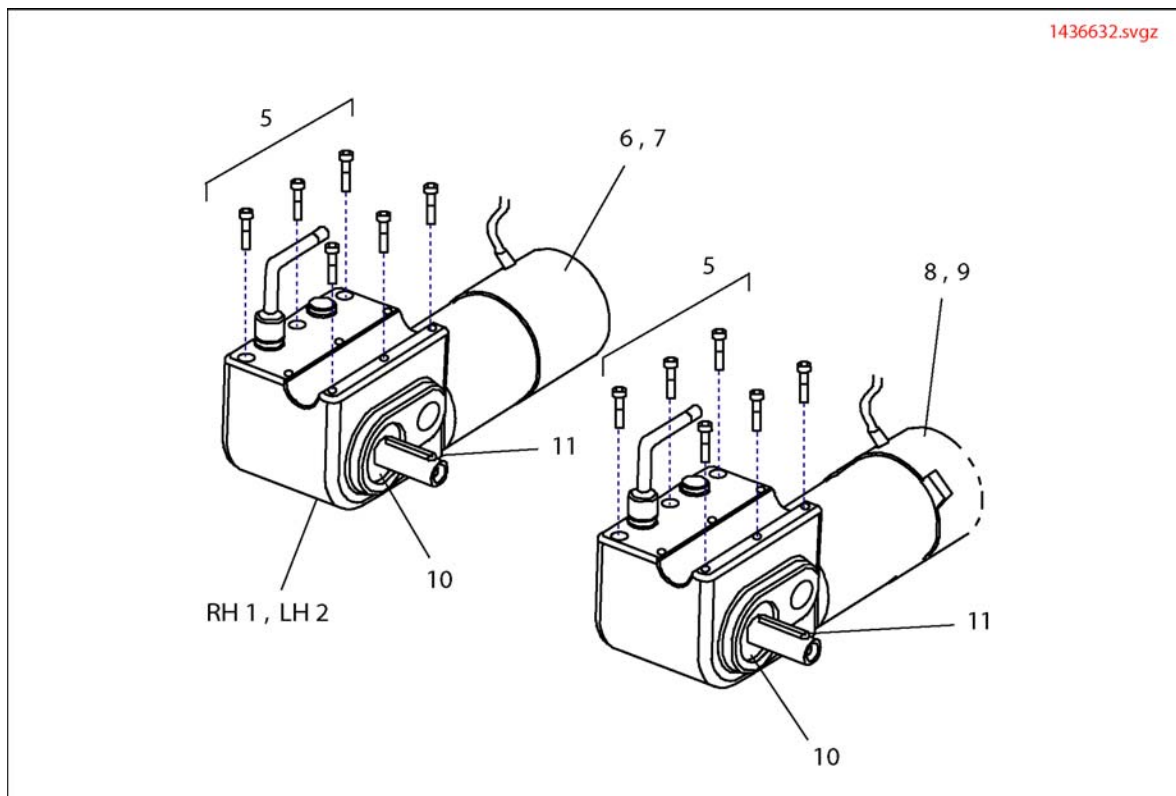
Pos.	Part number	Description	Valid from → until	Qty
1	SP1441641	Anti Tipp Wheel Assembly		1
2	30000250	Anti Tipper Assy		1
3	1441653	Anti Tipping Wheel And Axle Kit		1
4	1433323-0216	Anti Tipping Top Tube		1
5	1441642	Fixation Kit		1

## Rear Wheels



Pos.	Part number	Description	Valid from → until	Qty
1	1441685	Complete Wheel Assembly With Pneumatic Tyre and Tube (No Hub)		1
2	1441686	Complete Wheel Assembly With Puncture Proof Insert and Tyre (No Hub)		1
3	Z121007.P40	Wheel-Rim, 1.5 Jx8, Outer, Black		1
4	Z121008.P40	Wheel-Rim, 1.5 Jx8, Inner, Black		1
5	Z122014-9005	Wheel Hub Cover Black		1
6	1496138	M8x25mm Countersunk Head Screw (4 off reqd.)		1
7	23009262	Puncture Proof Infill (Complete with tyre)		1
8	M11005	Tyre 12 1/2 X 2 1/4		1
9	M12004	Inner Tube (for Tyre - 12 1/2" x 2 1/4")		1
10	1509053-0002	Wheel Hub		1

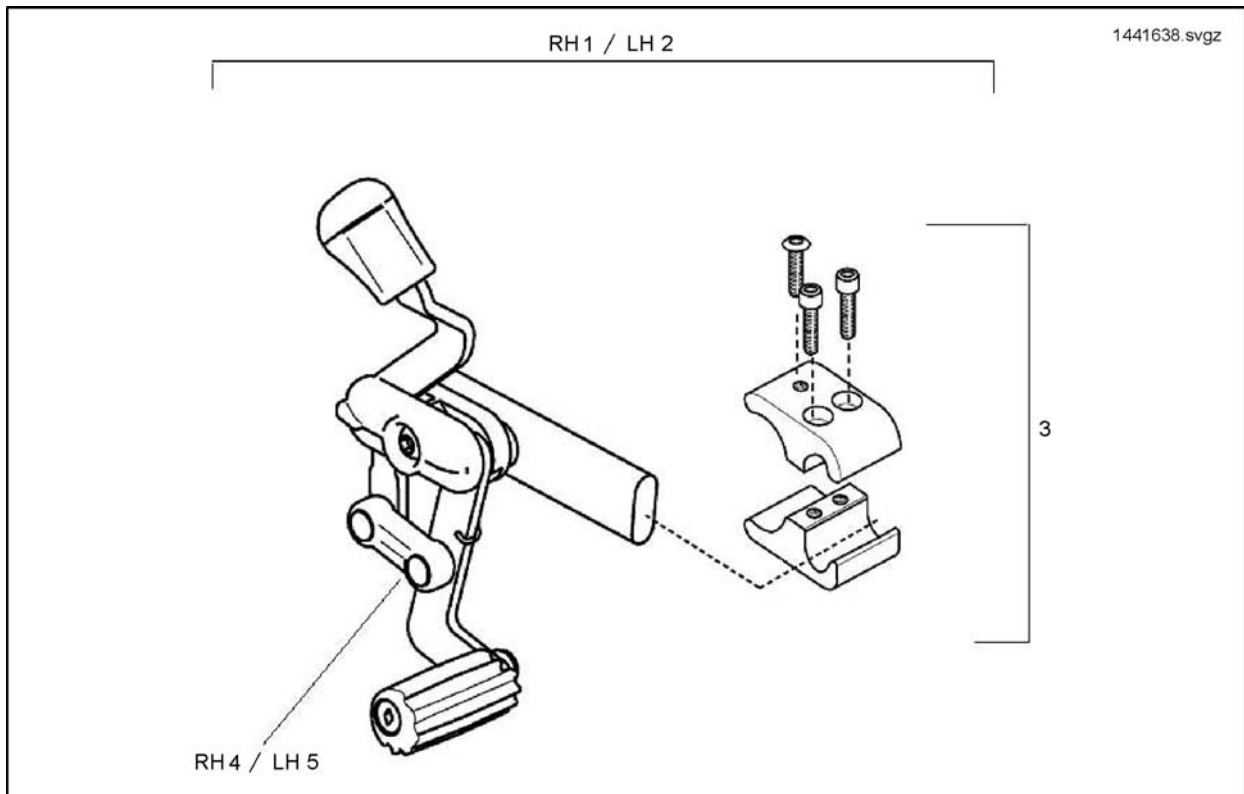
# Motor Gear Box



Pos.	Part number	Description	Valid from → until	Qty
1	1436632	Motor 6km/h RH		1
2	1436633	Motor 6km/h LH		1
3	SP1422808	Labelset "Push/Drive" <i>not shown</i>		1
5	1441971	Motor Gearbox Fixation Kit		1
6	1441655	Motor Brush Set		1
7	1441656	Motor Electro-Magnetic Replacement Brake Kit		1
8	1441655	Motor Brush Set		1
9	1441658	Motor Electro-Magnetic Replacement Brake Kit		1
10	F353002.99	Shaft Washer		1
11	N23004	Woodruff Key A 6 X 6 X 40		1
12	SP1451318	RH Motor Gearbox (Pilot Plus and VSI Systems Only)		1
13	SP1451317	LH Motor Gearbox (Pilot Plus and VSI Systems Only)		1

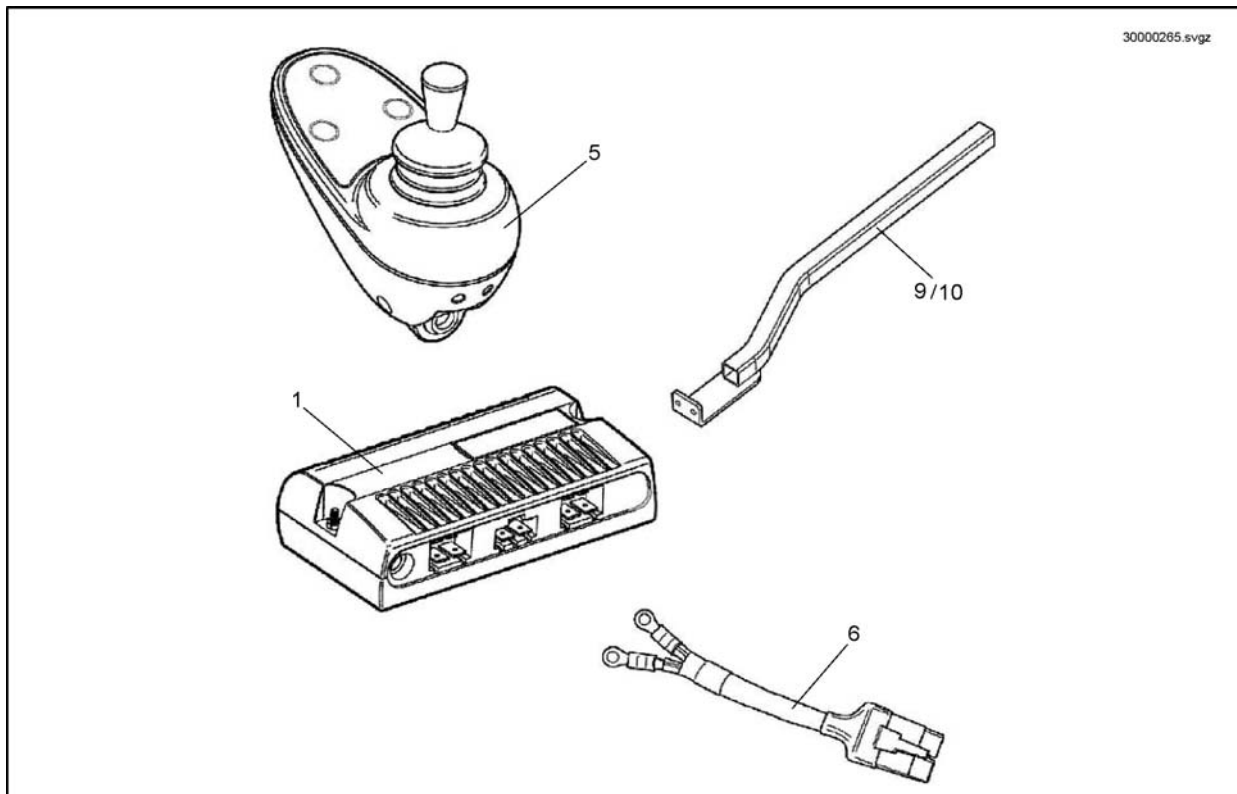


# Manual Brakes



Pos.	Part number	Description	Valid from → until	Qty
1	1441638	RH Brake Assembly Complete With Mounting Bracket		1
2	1441639	LH Brake Assembly Complete With Mounting Bracket		1
3	1441640	Brake Mounting Kit (Use RH/LH)		1
4	1420249	RH Brake Assembly		1
5	1420248	LH Brake Assembly		1

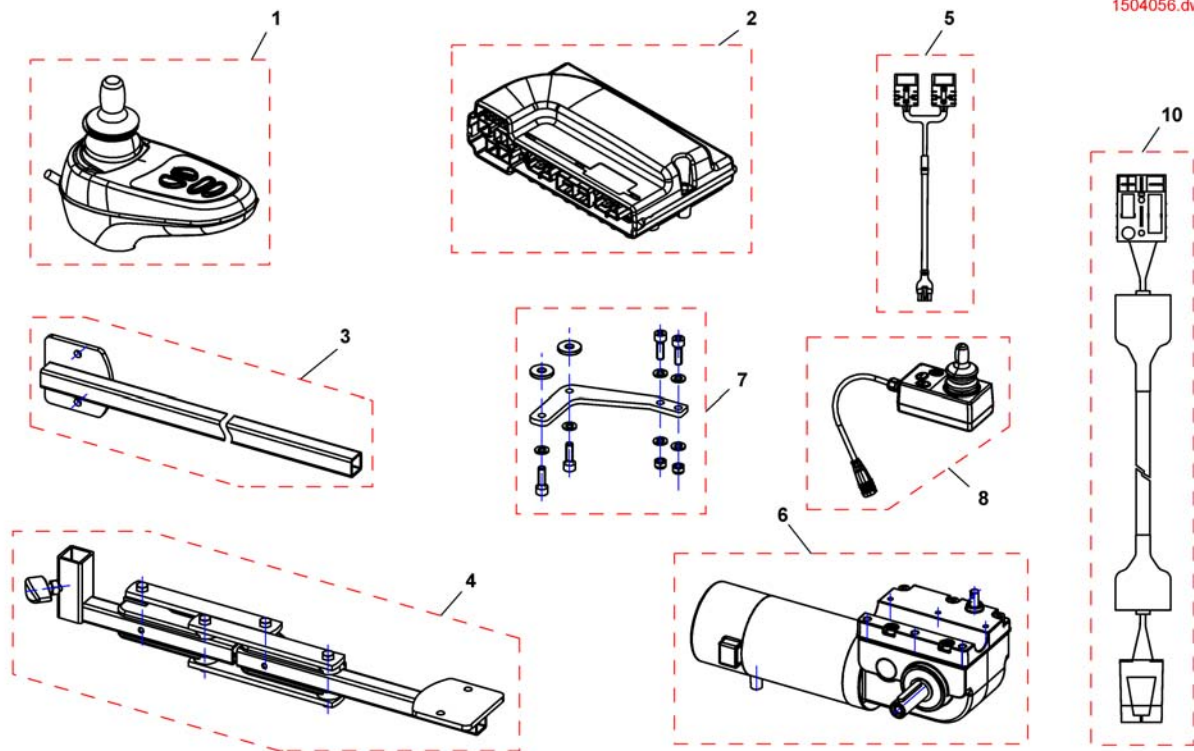
# Pilot Plus Control



Pos.	Part number	Description	Valid from → until	Qty
1	30000265	Pilot Plus Power Module D49859		1
5	30000267	Pilot Plus Joystick Standard D49671		1
6	1448943	VSI Power Cable (Terminal Covers Included)		1
9	1450719-0216	Pilot Plus Joystick Arm Right Hand		1
10	1450746-0216	Pilot Plus Joystick Arm Left Hand		1
-	1485033	Battery Lead Pilot PlusMirage		1

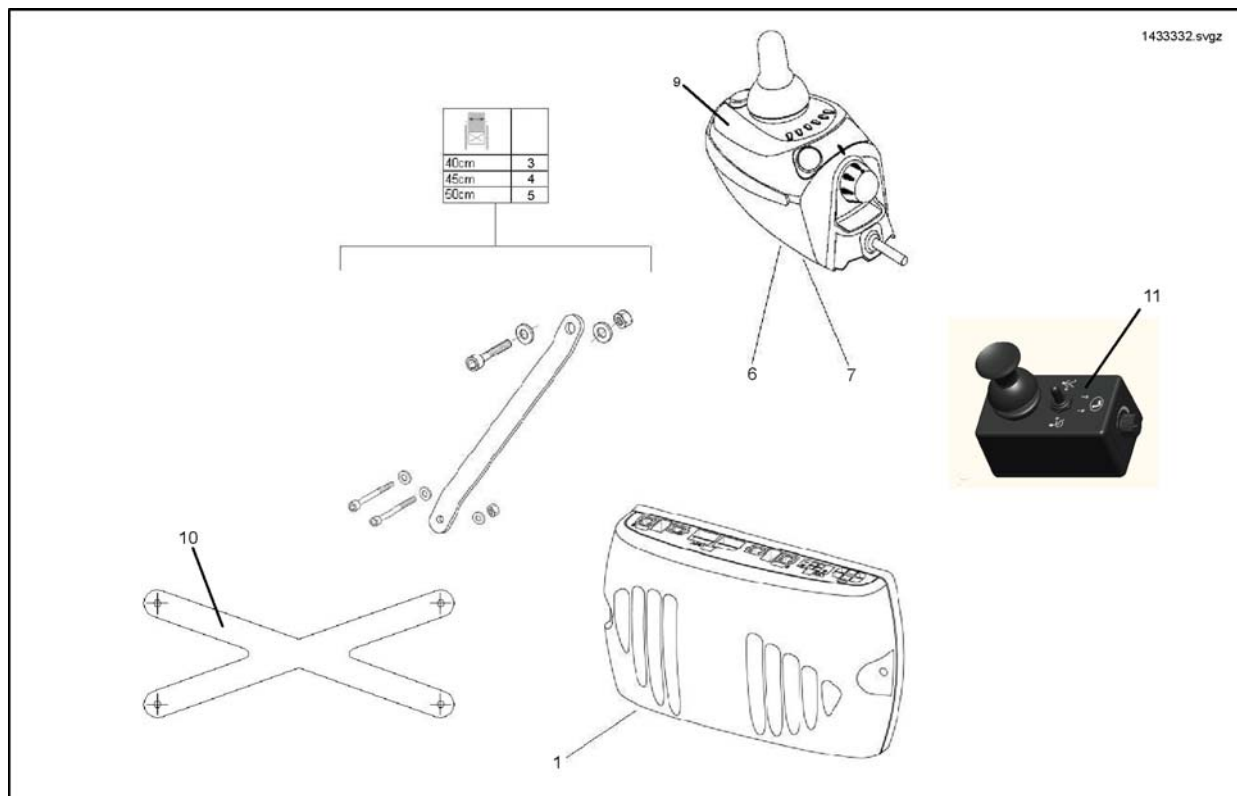
## VR2 Control

1504056.dwg



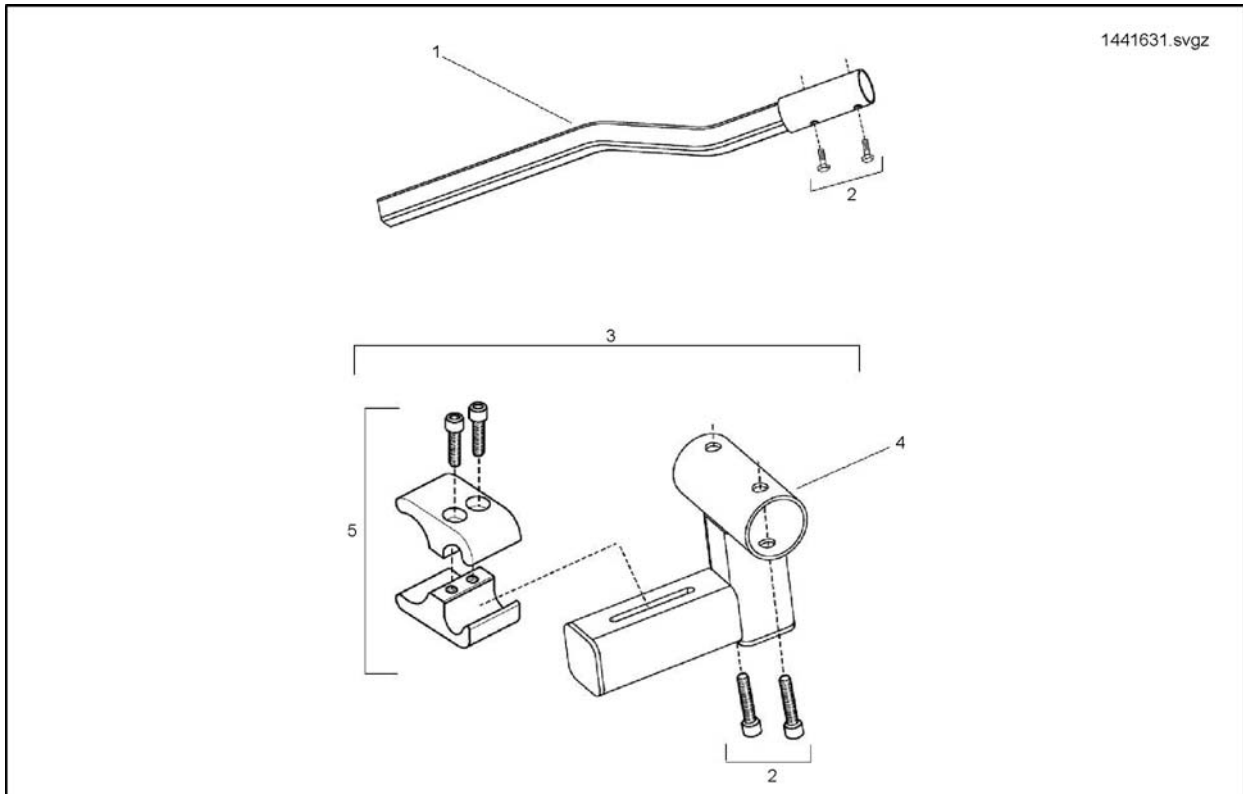
Pos.	Part number	Description	Valid from → until	Qty
1	SP1504057	VR2 Controller		1
2	SP1504056	VR2 Powermodul		1
3	SP1513562	Control Bracket VR2 LH/RH		1
4	SP1513568	VR2 Remote Bracket swing away LH		1
4	SP1513567	VR2 Remote Bracket swing away RH		1
4	SP1522404	VR2 Remote Bracket swing away LH, with Lock		1
4	SP1522403	VR2 Remote Bracket swing away RH, with Lock		1
5	SP1534648	Y-cable		1
6	SP1513846	VR2 Motor LH		1
6	SP1513847	VR2 Motor RH		1
7	SP1528313	Remoteadapter, swing away, RH/LH		1
8	SP1531736	Remote Dual Control (incl. Y-cable)		1
9	SP1529169	Holder attendant control RH/LH <i>not shown</i>		1
10	SP1513753	Battery cable		1

# Shark Control System



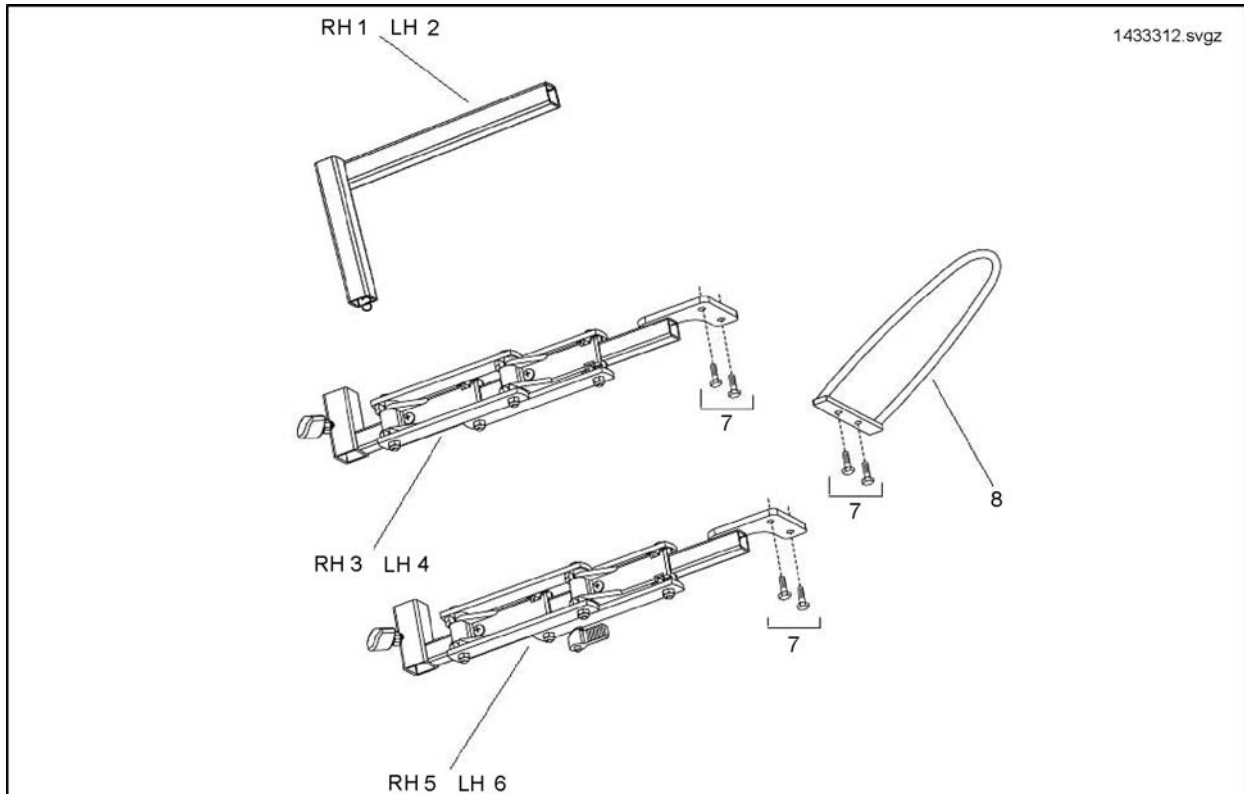
Pos.	Part number	Description	Valid from → until	Qty
1	1495783	Shark Power - Module DK-PMA01 Drive Only		1
1	1433332	Power Modul Shark DK-PMB01		1
-	1449280	USB Wizard Dongle Kit, EDL-USB, cpl.		1
2	1441627	Power Module Fixing Kit 35cm W (Not Shown)		1
3	1441628	Power Module Fixing Kit 40cm W		1
4	1441629	Power Module Fixing Kit 45cm W		1
5	1441630	Power Module Mounting Bracket (Used On All Module Types)		1
6	1433331	Shark Joystick Remote 1.5M Cable (For Attendant Use)		1
7	1441611	Shark Joystick Remote 1.0M Cable		1
8	1523145	Part not for sale		1
9	1442160	Joystick Rubber Knob and Gator Kit.		1
10	1451339-0216	Power Module Mountingbracket Matt Black		1
11	1450307	Assembly-Kit Attendent Control		1
11	1444717	Shark-Attendant Control, Switchable		1

# Joystick Mounting Arms, Fixed



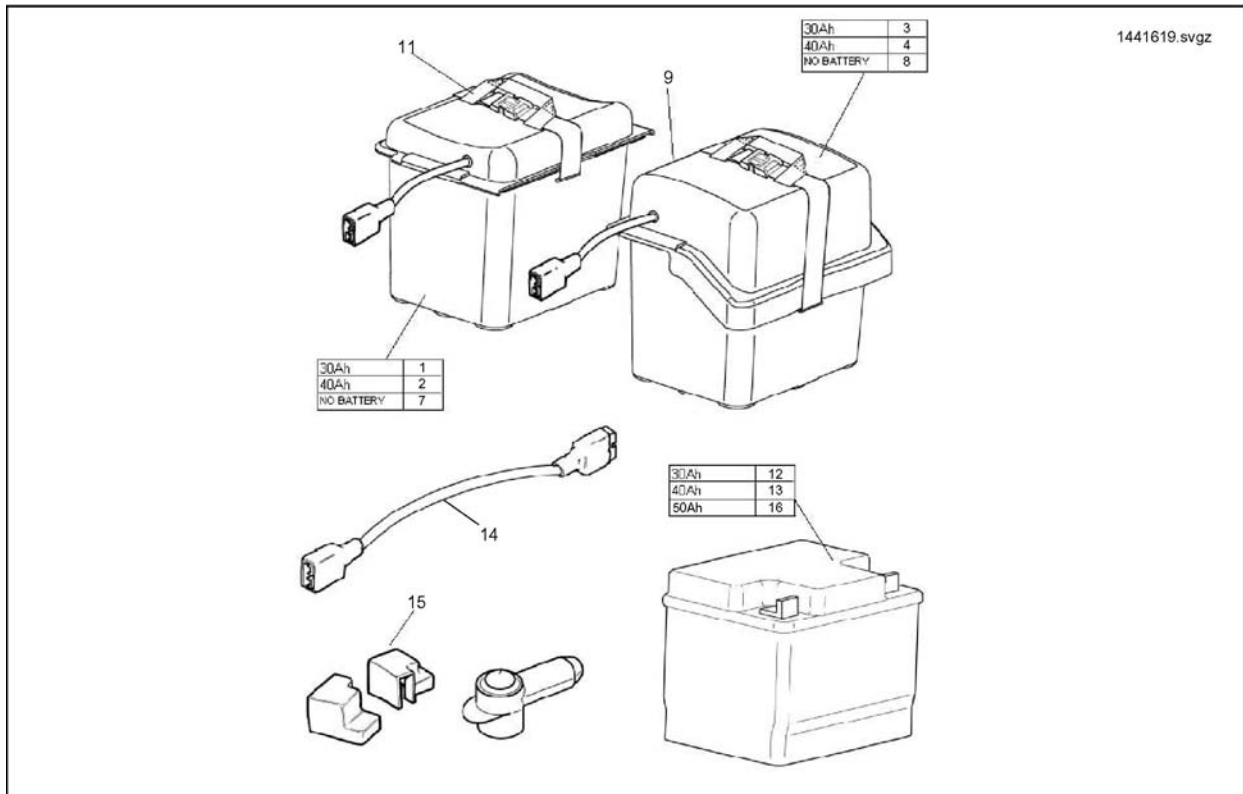
Pos.	Part number	Description	Valid from → until	Qty
1	1441631	Controller Mounting Bracket		1
2	1441632	Controller Fixing Kit		1
3	1436879	Attendant Controller Mounting Bracket		1
4	1441634	Attendant Control Mounting Tube		1
5	6003039	Brake Fixation Kit		1

# Joystick Mounting Arms, Swing Away



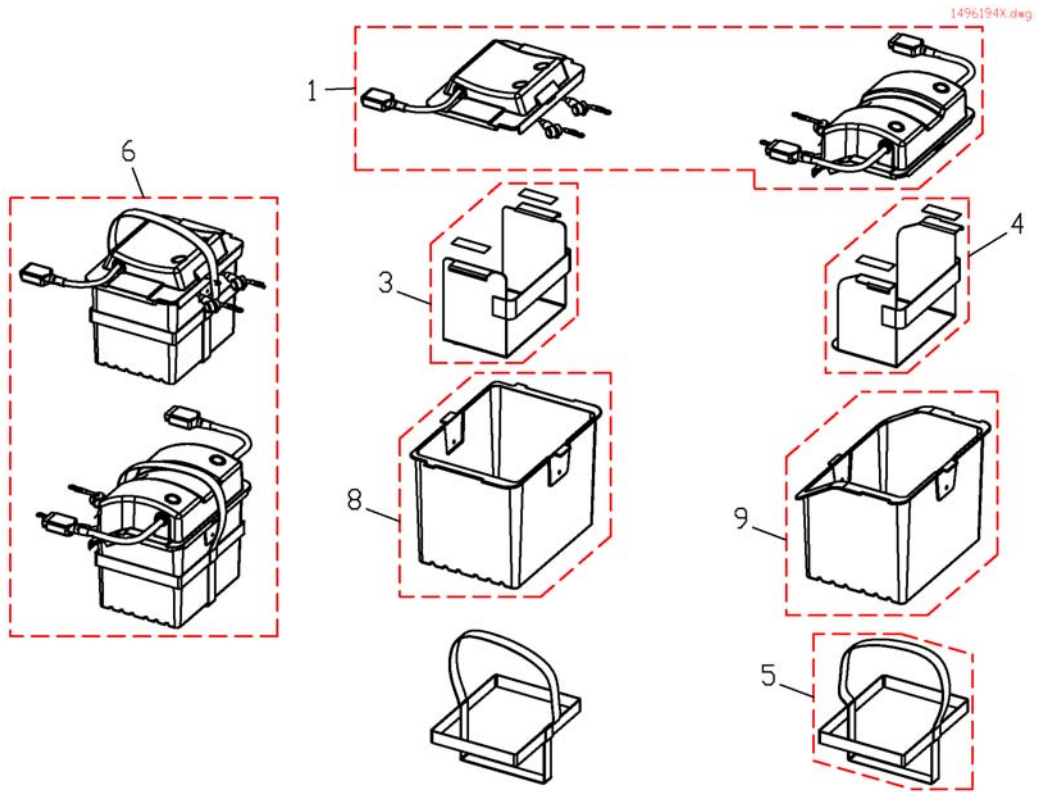
Pos.	Part number	Description	Valid from → until	Qty
1	1433312-0216	RH Swing Away Joystick Mounting Arm Bracket		1
2	1436867-0216	LH Swing Away Joystick Mounting Arm Bracket		1
3	SP1441636	Part not for sale		1
4	1441637	Complete Swingaway Assembly LH		1
5	1436666	Complete Swingaway Assembly RH (with lock)		1
6	1436667	Complete Swingaway Assembly LH (with lock)		1
7	1441635	Joystick Remote Fixing Kit		1
8	1434149-0601	Shark Hand Protector		1

## Batteries & Cables



Pos.	Part number	Description	Valid from → until	Qty
1	1441619	30Ah Front Battery Box Complete		1
2	SP1441620	40Ah Front Battery Box Complete		1
3	1441621	30Ah Rear Battery Box Complete		1
4	SP1441622	Part not for sale		1
5	1441623	30Ah Front Battery Box For 35cm W Chair (Not Shown)		1
6	1441624	30Ah Rear Battery Box For 35cm W Chair (Not Shown)		1
7	1441625	Front Battery Box (Empty) Including Fittings		1
8	1441626	Rear Battery Box (Empty) Including Fittings		1
9	P12023	Circuit Breaker 40A		1
10	1441650	Battery Tray For 35cm W Chair (Not Shown)		1
11	1441651	Battery Box Straps (Front And Rear 40/45/50cm W)		1
12	P50029	Battery 12V 31Ah		1
13	PG50988	40Ah Mk Battery		1
13	1522107	Battery 50Ah AGM		1
14	1436694	Battery Wire Harness		1
15	1441772	30Ah Battery Terminal Cover Kit		1
16	SP1522107	AGM Battery 50Ah		1

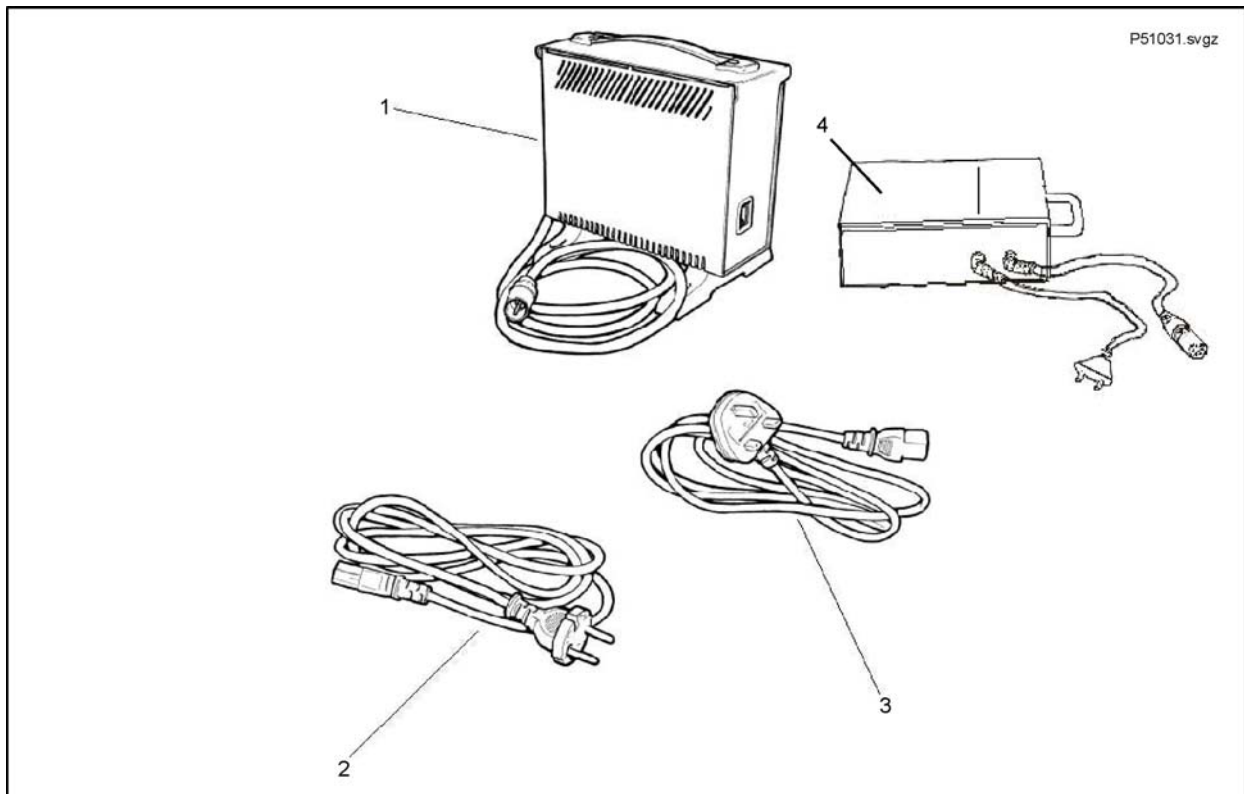
# Battery Boxes



Pos.	Part number	Description	Valid from → until	Qty
1	SP1534969	Batterybox Lid Set (Rear & Front)		1
3	1436625	Insert Front Battery Box		1
4	1436627	Insert Rear Battery Box		1
5	SP1468344	Battery Box Strap		1
6	SP1534970	Batterybox Set, empty (Rear & Front)		1
8	SP1451593	Front batterybox, lower part		1
9	SP1451595	Rear batterybox, lower part		1

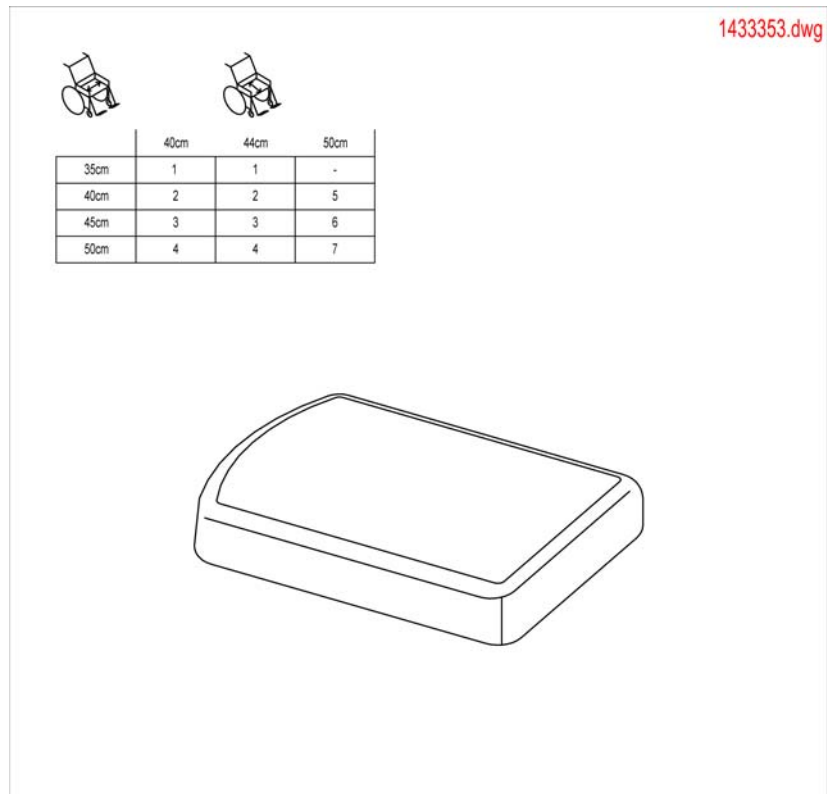


## Batterie Charger



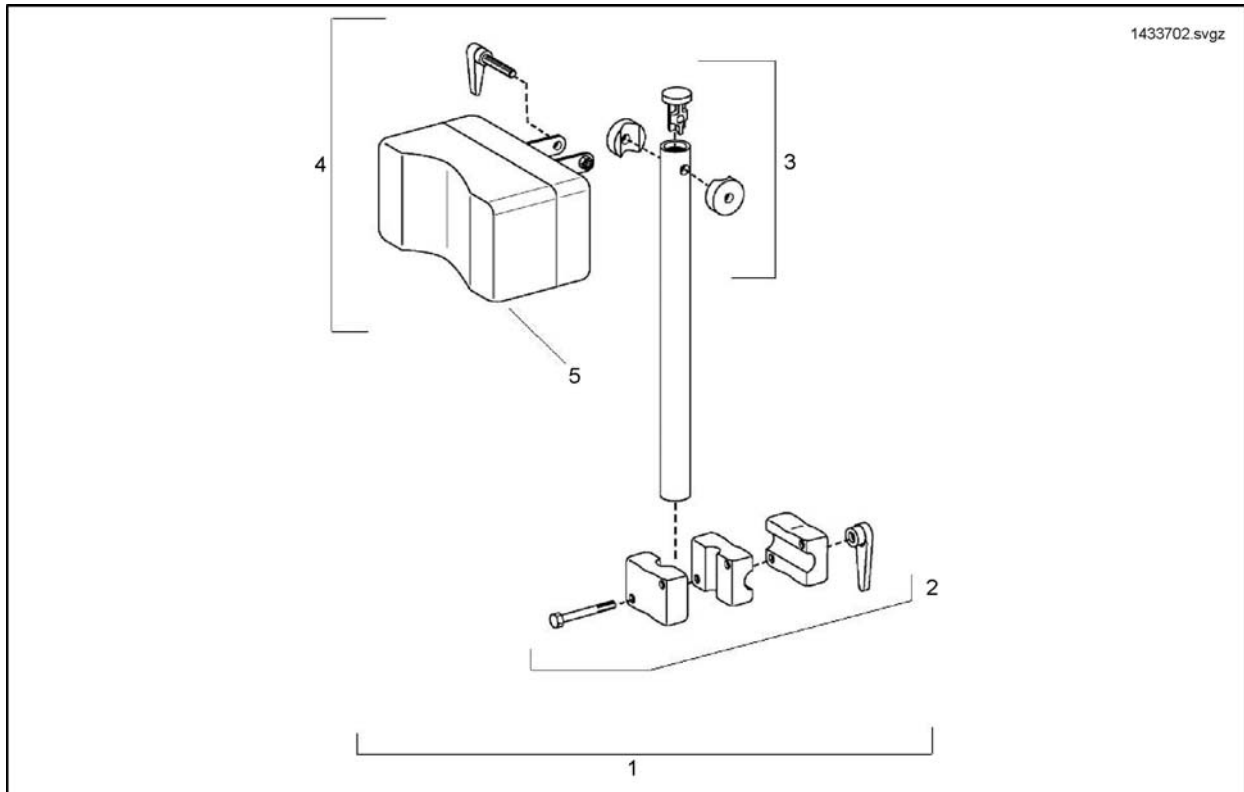
Pos.	Part number	Description	Valid from → until	Qty
1	SPP51981	Universal Charger 24V/8Ah for Batterys up to 73Ah c20 (without Powercord)		1
2	P21079	Charger Power Cable (Shockproof Plug)		1
3	P21080	Charger Power Cable (Uk)		1
3	1466783	Power Cable, 3-pole, black, 6A/250VAC (Switzerland)		1
4	5813987	Battery Charger 8A Gi Popular (only Sweden)		1
5	PG50988	40Ah Mk Battery		1

# Seat Cushion



Pos.	Part number	Description	Valid from → until	Qty
1	1433353-0207	Seat Cushion 35cm W		1
2	1433354-0207	Seat Cushion 40cm W		1
3	1433355-0207	Seat Cushion 45cm W		1
4	1433356-0207	Seat Cushion 50cm W		1
5	1509897	Seat Cushion SW 40		1
6	1509898	Seat Cushion SW 45		1
7	1509899	Seat Cushion SW 50		1

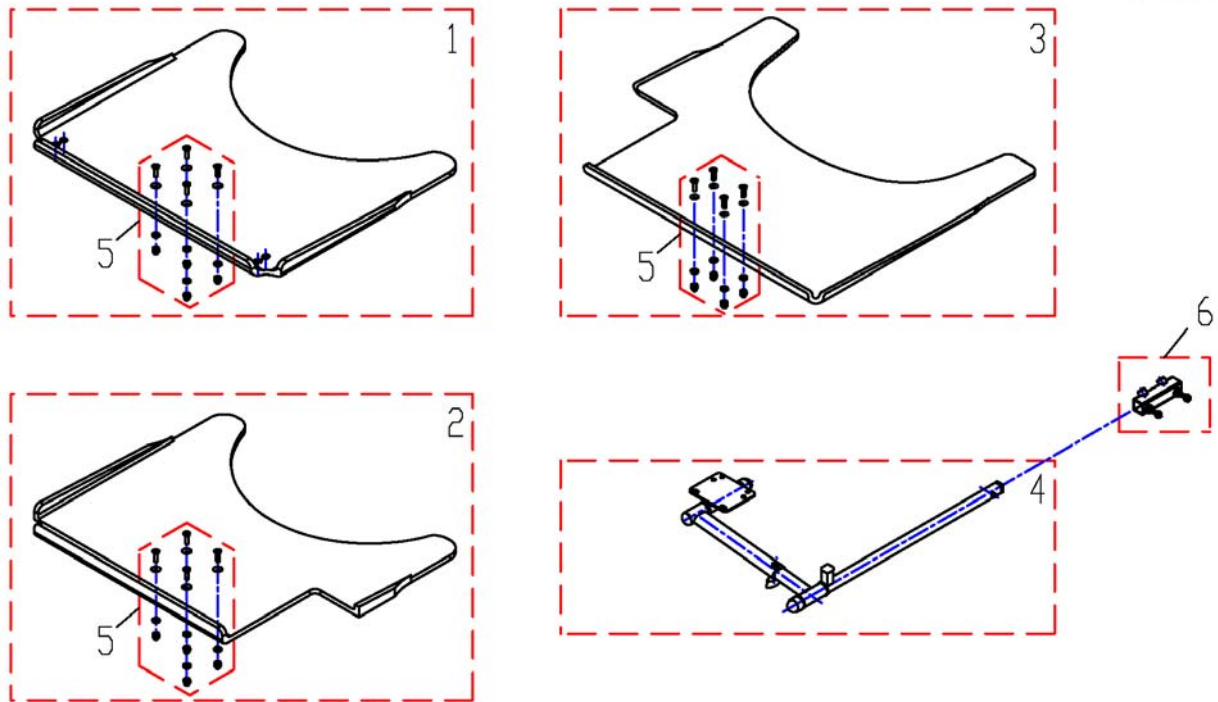
# Headrest



Pos.	Part number	Description	Valid from → until	Qty
1	1433702	APPUI-TETE+SUPPORT A3		1
2	1432617	KIT SUPPORT APPUI-TETE A3		1
3	1432622	TUBE APPUI-TETE CPLET		1
4	1432623	COUSSIN A-T+CHAPE A3		1
5	1420507	Coussin d'A-T confort		1

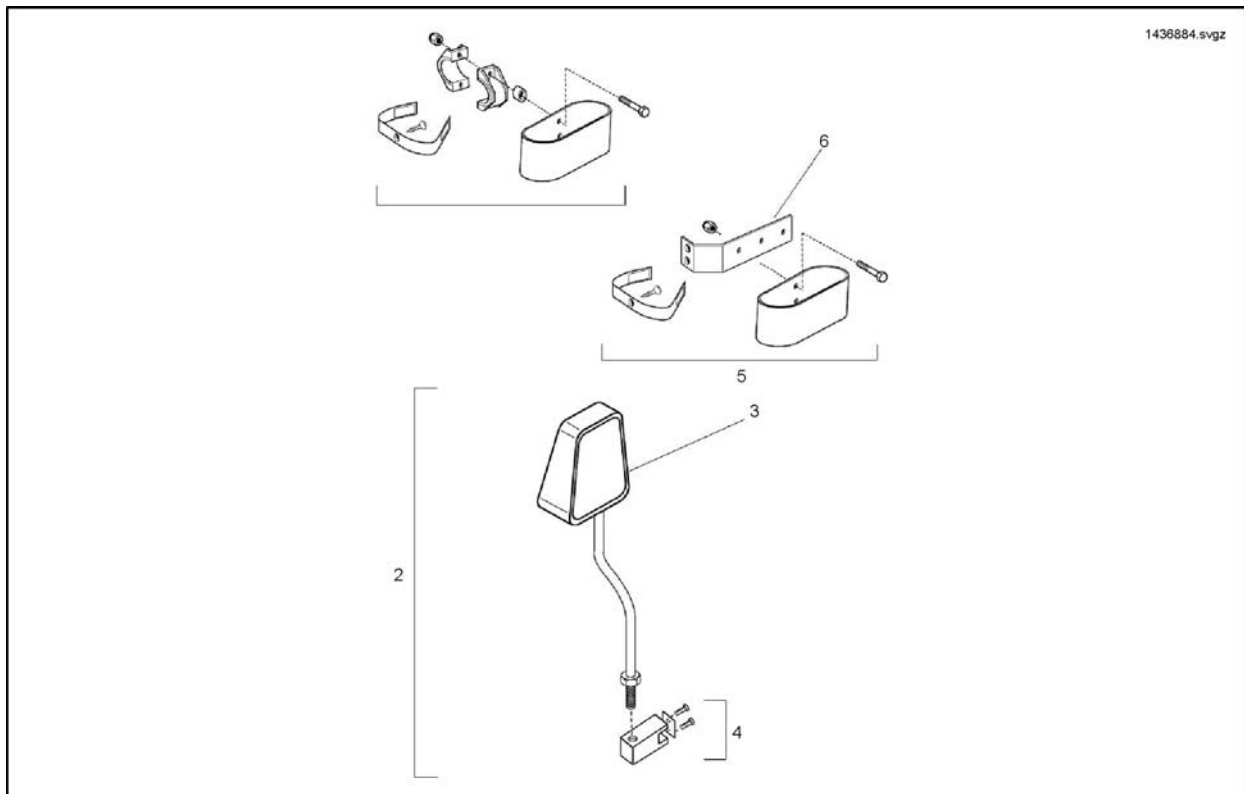
# Tray Tables

1436887dwg



Pos.	Part number	Description	Valid from → until	Qty
1	SP1535050	Tray Table, 540mm, without Cutout		1
1	SP1535010	Tray Table, 620mm, without Cutout		1
1	SP1535011	Tray Table, 660mm, without Cutout		1
2	SP1535009	Tray Table, 540mm, Cutout left		1
2	SP1534974	Tray Table, 620mm, Cutout left		1
2	SP1534975	Tray Table, 660mm, Cutout left		1
3	SP1535051	Tray Table, 540mm, Cutout right		1
3	SP1535012	Tray Table, 620mm, Cutout right		1
3	SP1535049	Tray Table, 660mm, Cutout right		1
4	SPZ177011	Tray holder		1
5	Z177025	Fastening-Kit Tray		1
6	SP1534364	Adaptertube		1

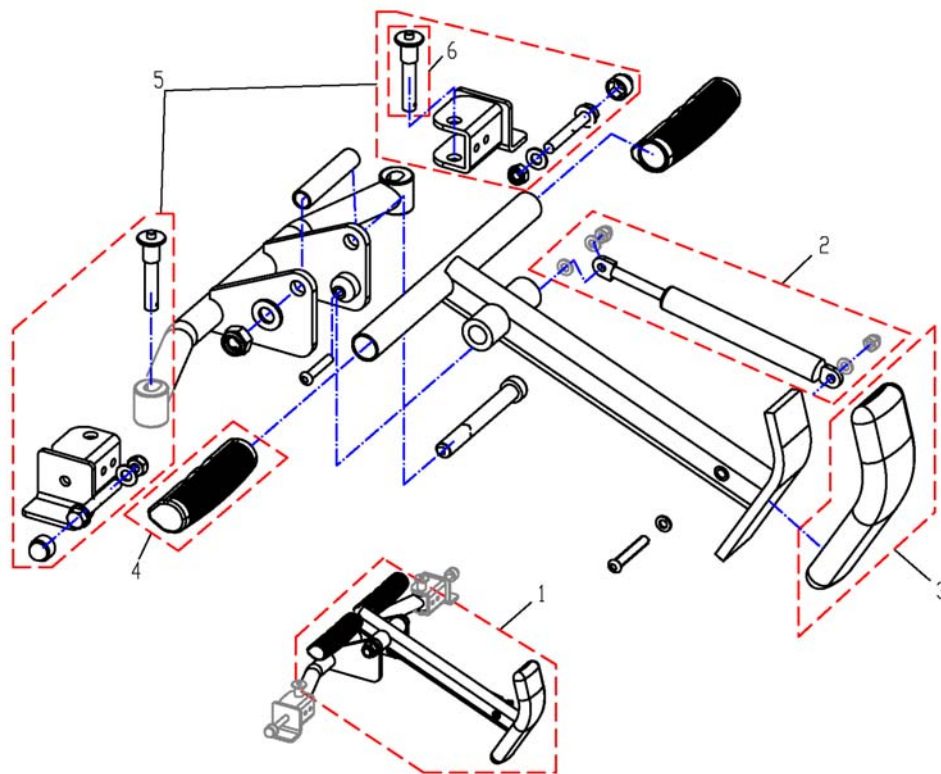
## Crutch Holder / Mirror



Pos.	Part number	Description	Valid from → until	Qty
1	0572-02056	Porte-canne complet		1
2	1436884	Mirror Complete Kit		1
3	N90080	Mirror Unit Only		1
4	1441649	Mirror Fixing Clamp Kit		1
5	1444914	Crutch / Cane Holder Complete Kit (Type 2 Fitting)		1
6	1444913-0216	Crutch Holder Bracket		1

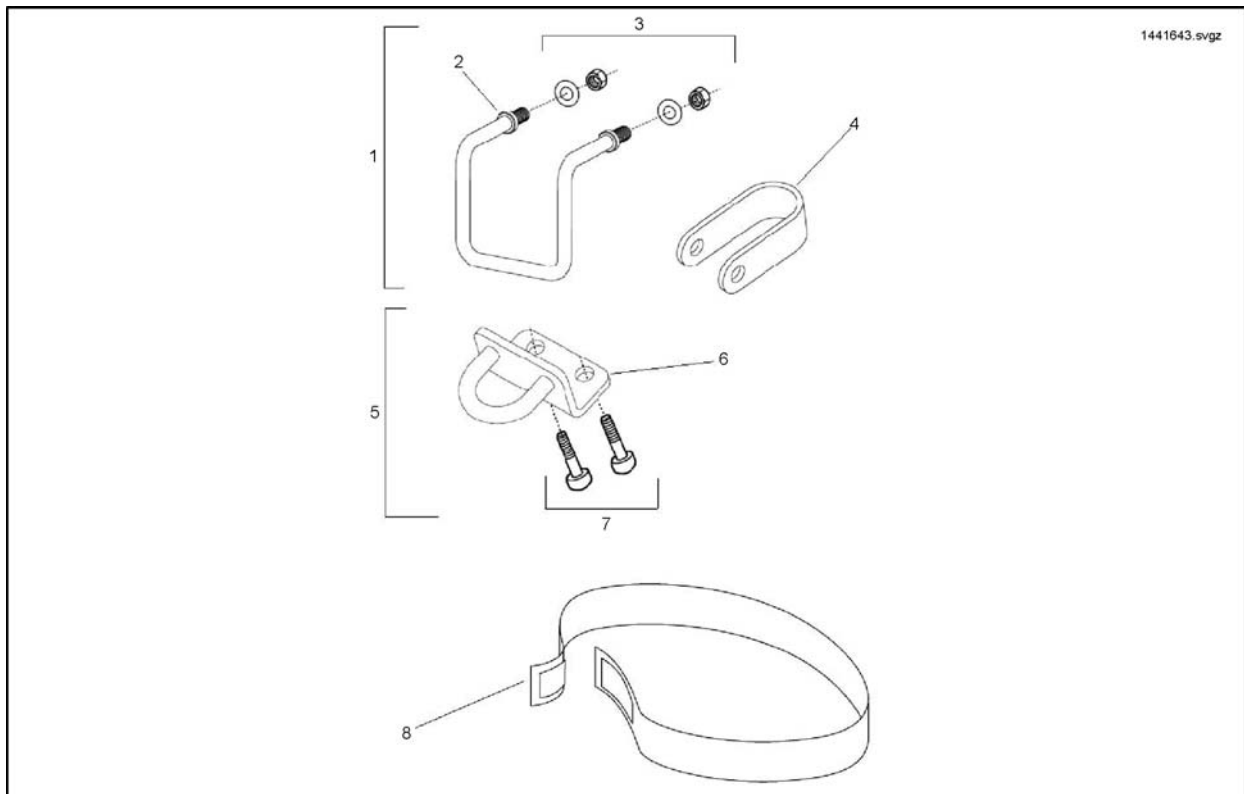
# Kerbrider

1436880.dwg



Pos.	Part number	Description	Valid from → until	Qty
1	SP1511427	Kerbrider Sw40		1
1	SP1511419	Kerbrider Sw45		1
1	SP1511339	Kerbrider Sw50		1
2	N10499	Gas Spring		1
3	B11037B	Rubber Foot		1
4	1435421	Poignee D22 Invacare 703 REA		1
5	SP1433350	Kerb Rider Bracket <i>This part is standard in UK since January 2008</i>		1
6	F368016.99	Locking Bolt - Quick Release		1

## Transportation Options



Pos.	Part number	Description	Valid from → until	Qty
1	1441643	Taxi Clamp Complete		1
2	1436623-0001	Taxi Clamp		1
3	1441644	Taxi Clamp Fixation Kit		1
4	1433359-0216	Rear Tie-Down Clamp		1
5	1436883	Front Tie-Down Clamp Complete Kit (RH And LH)		1
6	1433398-0216	Front Tie-Down Clamp		1
7	1441646	Front Tie-Down Fixation Kit		1
8	1441647	Battery Transportation Strap Kit (X2)		1



Yes, you can.®



---

**Belgium & Luxemburg:**

Invacare nv, Autobaan 22, B-8210 Loppem  
Tel: (32) (0)50 83 10 10, Fax: (32) (0)50 83 10 11  
belgium@invacare.com

**Danmark:**

Invacare A/S, Sdr. Ringvej 37, DK-2605 Brøndby  
Tel: (45) (0)36 90 00 00, Fax: (45) (0)36 90 00 01  
denmark@invacare.com

**Deutschland:**

Invacare Aquatec GmbH, Alemannenstraße 10, D-88316 Isny  
Tel: (49) (0)75 62 7 00 0, Fax: (49) (0)75 62 7 00 66  
info@invacare-aquatec.com

**European Distributor Organisation:**

Invacare, Kleiststraße 49, D-32457 Porta Westfalica  
Tel: (49) (0)57 31 754 540, Fax: (49) (0)57 31 754 541  
edo@invacare.com

**España:**

Invacare SA, c/Areny s/n, Polígon Industrial de Celrà, E-17460 Celrà (Girona)  
Tel: (34) (0)972 49 32 00, Fax: (34) (0)972 49 32 20  
contactsp@invacare.com

**France:**

Invacare Poirier SAS, Route de St Roch, F-37230 Fondettes  
Tel: (33) (0)2 47 62 64 66, Fax: (33) (0)2 47 42 12 24  
contactfr@invacare.com

**Ireland:**

Invacare Ireland Ltd, Unit 5 Seatown Business Campus, Seatown Road, Swords, County Dublin - Ireland  
Tel: (353) 1 810 7084, fax: (353) 1 810 7085  
ireland@invacare.com

**Italia:**

Invacare Mecc San s.r.l., Via dei Pini 62, I-36016 Thiene (VI)  
Tel: (39) 0445 38 00 59, Fax: (39) 0445 38 00 34  
italia@invacare.com

**Nederland:**

Invacare BV, Celsiusstraat 46, NL-6716 BZ Ede  
Tel: (31) (0)318 695 757, Fax: (31) (0)318 695 758  
nederland@invacare.com, csede@invacare.com

**Norge:**

Invacare AS, Grensesvingen 9, Postboks 6230, Etterstad, N-0603 Oslo  
Tel: (47) (0)22 57 95 00, Fax: (47) (0)22 57 95 01  
norway@invacare.com, island@invacare.com

**Österreich:**

Mobitec Mobilitätshilfen GmbH, Herzog Odilostrasse 101, A-5310 Mondsee  
Tel: (43) 6232 5535 0, Fax: (43) 6232 5535 4  
office@mobitec-austria.com, austria@invacare.com

**Portugal:**

Invacare Lda, Rua Estrada Velha, 949, P-4465-784 Leça do Balio  
Tel: (351) (0)225 1059 46147, Fax: (351) (0)225 1057 39  
portugal@invacare.com

**Sverige & Suomi:**

Invacare AB, Fagerstagatan 9, S-163 91 Spånga  
Tel: (46) (0)8 761 70 90, Fax: (46) (0)8 761 81 08  
sweden@invacare.com, finland@invacare.com

**Switzerland:**

Mobitec Rehab AG, Benkenstrasse 260, CH-4108 Witterswil  
Tel: (41) (0)61 487 70 80, Fax: (41) (0)61 487 70 81  
office@mobitec-rehab.ch, switzerland@invacare.com

**United Kingdom:**

Invacare Limited, Pencoed Technology Park, Pencoed, Bridgend CF35 5HZ  
Switchboard Tel: (44) (0)1656 776200, Fax: (44) (0)1656 776201  
Customer services Tel: (44) (0)1656 776222, Fax: (44) (0)1656 776220  
UK@invacare.com