

Spare Parts Catalogue

Version: 2011/04/07b EN



Invacare® Etude Medley™



Yes, you can.®

General Information

For any order of spare parts the following information is required:

- Product type*
- Product name & model*
- Serial Number*
- Part-Number*
- Part-Description*

Exploded view drawings and code numbers are not contractual and subject to modification, in relation to Invacare® continuous product improvement policy to meet end users needs.

The reproduction or use of this work, or of any substantial part of this work, in any form or by any electronic, mechanical or other means, including photocopying, scanning and recording, and in any information storage and retrieval system, including electronic transmission, is forbidden without the prior written permission of Invacare® International Sarl.



Yes, you can.®

TABLE OF CONTENTS

Mattress supports

4 section for bed end	5
-----------------------------	---

Castors

100 mm castors with brake	6
---------------------------------	---

Bed ends for lifting

Lifting bed end Medley (2007.05=>)	7
Lifting bed end Medley (=>2007.04)	8
100 mm castors with brake	6
Actuator bed end	9
Lifting bed end Medley low	10

Electrical parts

Actuator bed end	9
Actuator thigh rest	11
Actuator/control unit EU	12
Actuator/control unit EU	13
Control unit parts	14
Actuator/control unit UK	15
Actuator/control unit UK	16
Control unit parts	14
Actuator/control unit AUS	17
Actuator/control unit AUS	18
Control unit parts	14
Actuator/control unit 24Volts EU	19
Hand controls HB74/HL80	20
ACP box	21
Back up battery	22

Side rails

Wooden side rail	23
Wooden side rail extended	24
Steel side rail	25

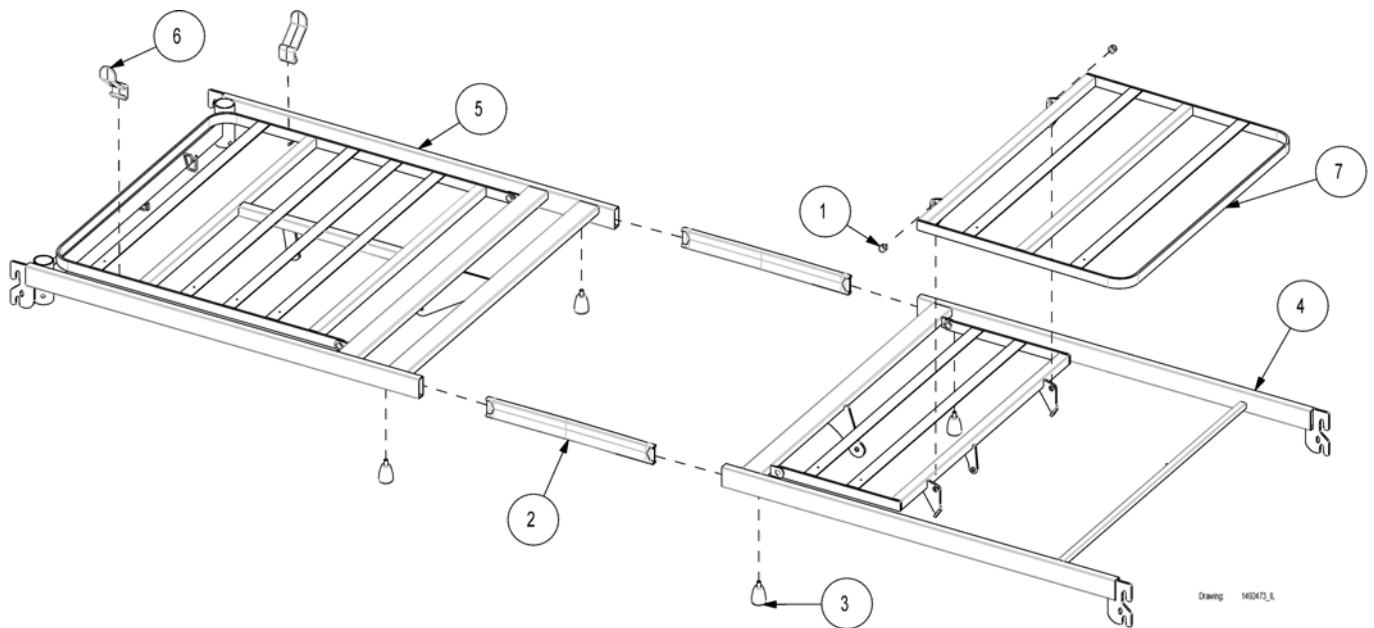
Lifting pole

Lifting pole	26
--------------------	----

Accessories

Transport bracket	27
IV drop rod	28
Support for hand control	29
Medley select bed end cover	30
Rastofix bracket for bed end	31

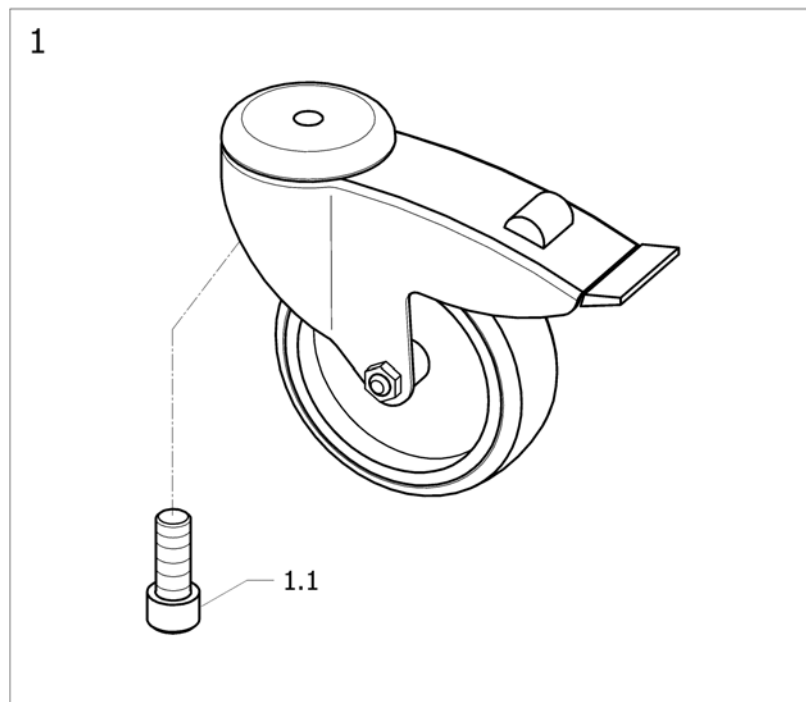
4 section for bed end



Drawing: 149243_3

Pos.	P number	Description	Valid from → until	Qty
1	1435195	Rivet replacement kit (screw and nut)		2
2	419238.60	Insertion tube 45x15x1,5x430		2
3	1435325-7035	Finger screw M8 x 13 mm RAL7035		4
4	1491187-0152	Top frame with thigh section Sylver, Medley		1
5	1491188-0152	Top frame with backrest Silver, Medley		1
6	1491299-7042	Mattress retainer, RAL7042		2
7	1492440-0152	Leg section Silver, Medley		1

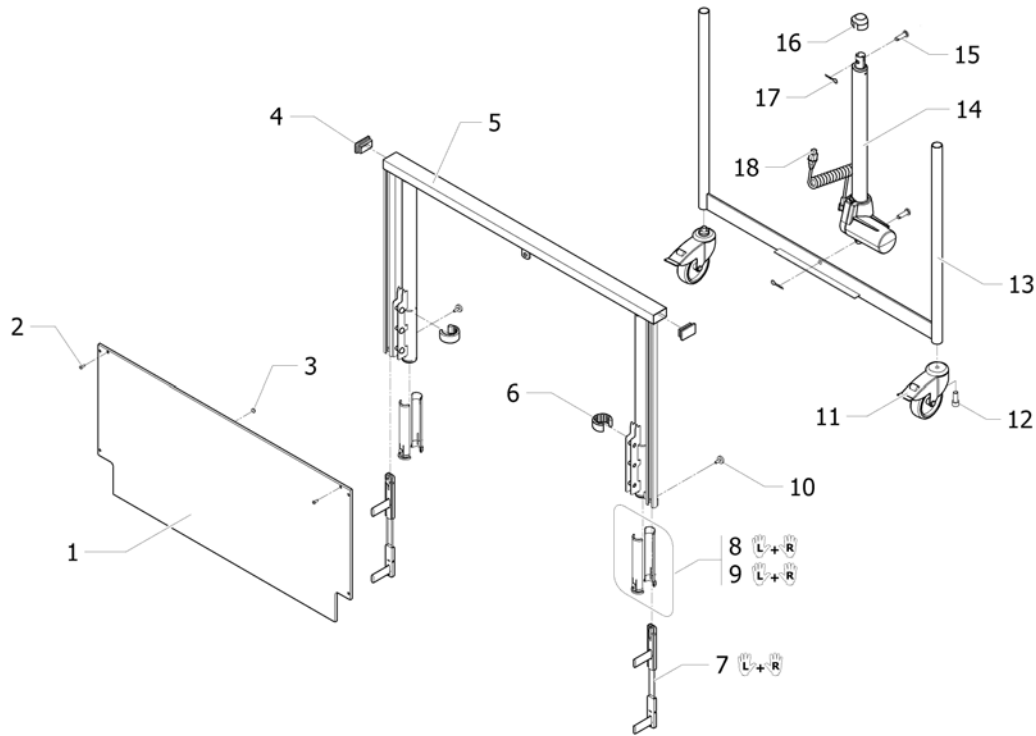
100 mm castors with brake



ISPS1542015

Pos.	P number	Description	Valid from → until	Qty
1	1552392	Kit wheel Ø 100 mm		4
1.1	803066	Screw Chc M12 x 30 mm, self locking		4

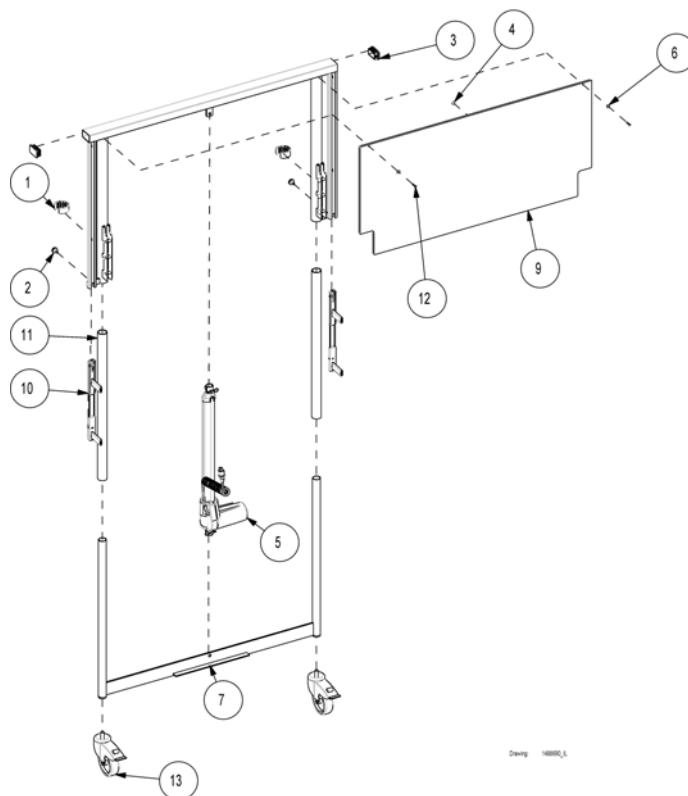
Lifting bed end Medley (2007.05=>)



ISPS1545571

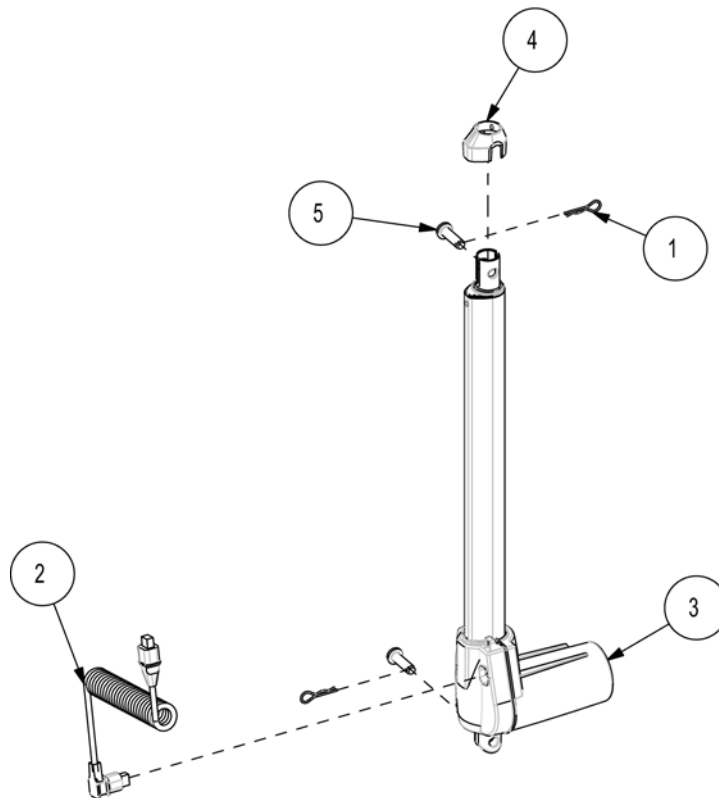
Pos.	P	number	Description	Valid from → until	Qty
1		1488689-0101	Bed end plate, beech, Medley		2
2		818305	Rivet Ø4,8x16		4
3		806775	Rubber pad		2
4		804410-7042	Ferrule, inside, 50x30x1, RAL7042		4
5		1488684-0152	Upper bed end bow Silver, Medley		2
6		418443	Locking ring for mattress support RAL7039		4
7		1492401-7042	Slider system for side rails, Medley (2 pcs.)		2
8		1545572	Kit plastic tube for bed end Medley (2 simple + 2 with locking)	20070501 → 20090819	2
9		1545573	Kit plastic tube for bed end Medley (4 with locking)	20090820 →	2
10		803979-7035	Finger screw M6x16 Ø20 head, RAL 7035		4
11		1552392	Kit wheel Ø 100 mm		4
12		803066	Screw Chc M12 x 30 mm, self locking		4
13		1488682-0152	Lower bed end bow Silver, Medley		2
14		1423843	Motor LA27		2
15		1489062	Clevis pin Ø10x35 iso2341B		4
16		1432760	Plastic cap for motor LA27, black		2
17		816427	Spring pin Ø2x43		4
18		1423811	Cable LA27 1250+150mm		2

Lifting bed end Medley (=>2007.04)



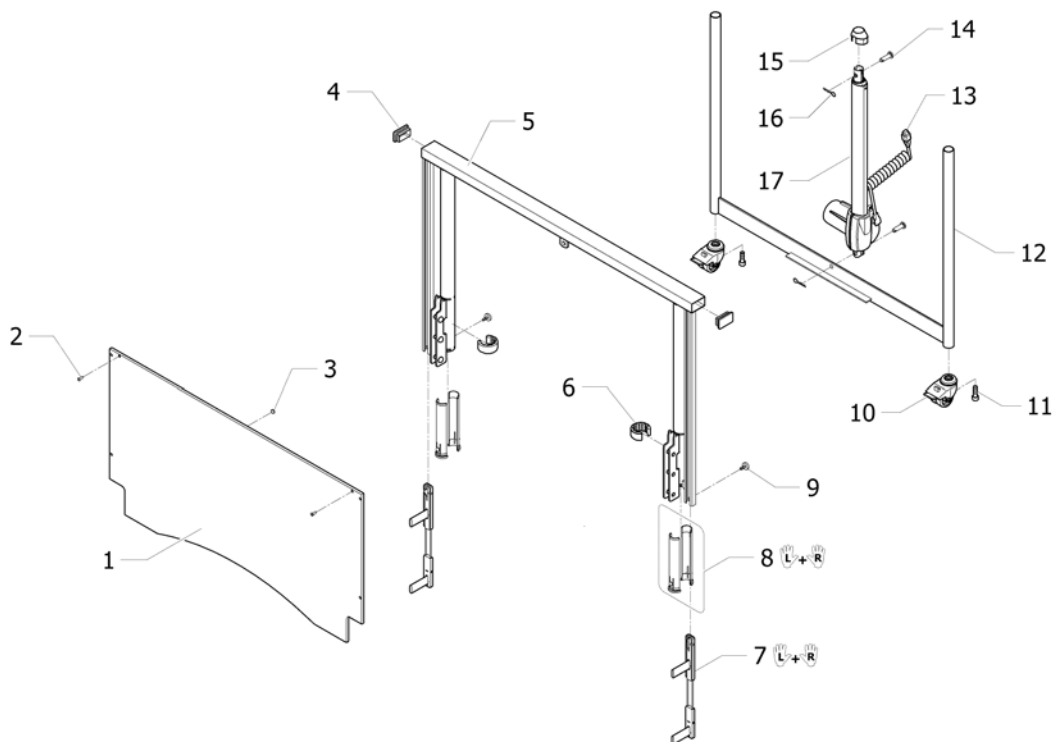
Pos.	P	number	Description	Valid from → until	Qty
13	-		100 mm castors with brake		1
5	-		Actuator bed end		1
1	418443		Locking ring for mattress support RAL7039		4
2	803979-7035		Finger screw M6x16 Ø20 head, RAL 7035		4
3	804410-7042		Ferrule, inside, 50x30x1, RAL7042		4
4	806775		Rubber pad		2
6	1441235		Washer Ø12/Ø4,3x1,6		4
7	1488682-0152		Lower bed end bow Silver, Medley		2
9	1488689-0101		Bed end plate, beech, Medley		2
10	1492401-7042		Slider system for side rails, Medley (2 pcs.)		2
11	1492432		Plastic tube Ø33,5/Ø29x595 TPE, black		4
12	1492435		Screw M4x16 iso 7045 torx taptite		4

Actuator bed end



Pos.	P number	Description	Valid from → until	Qty
1	816427	Spring pin Ø2x43		4
2	1423811	Cable LA27 1250+150mm		2
3	1423843	Motor LA27		2
4	1432760	Plastic cap for motor LA27, black		2
5	1489062	Clevis pin Ø10x35 iso2341B		4

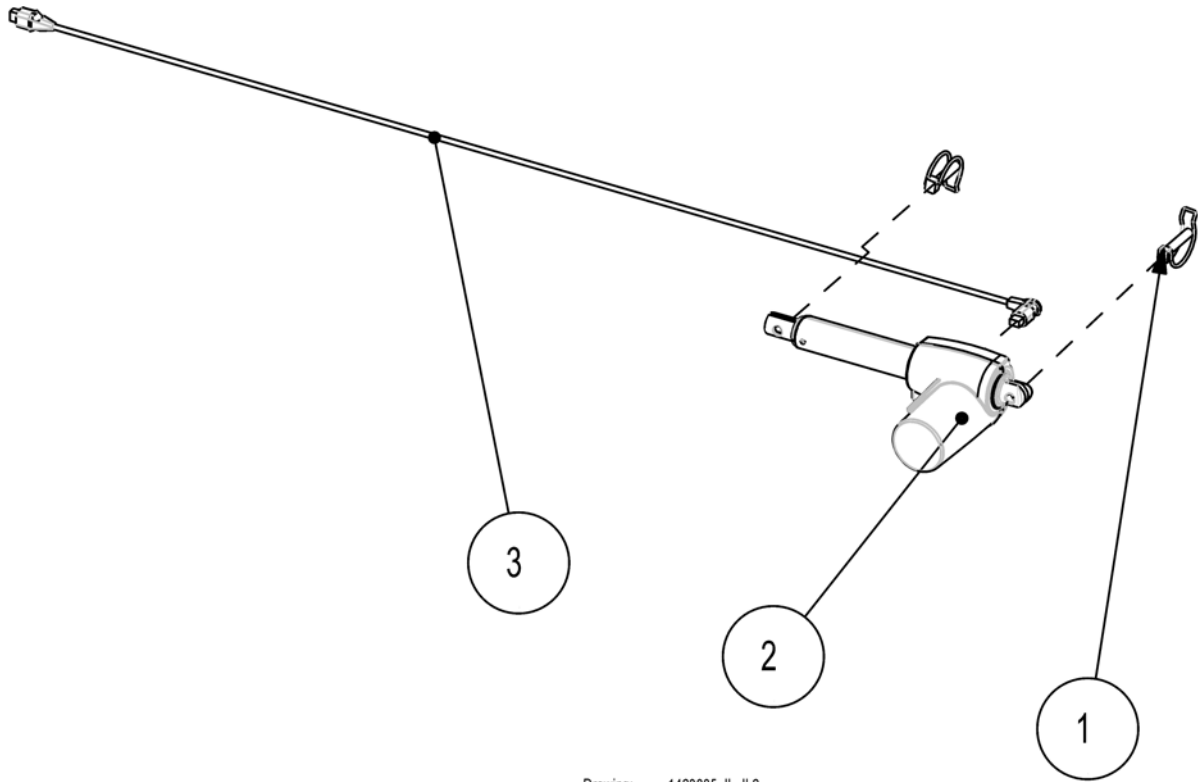
Lifting bed end Medley low



ISPS1548405.....

Pos.	P	number	Description	Valid from → until	Qty
1		1537305-0101	Bed end plate, beech, Medley low		2
2		818305	Rivet Ø4,8x16		4
3		806775	Rubber pad		2
4		804410-7042	Ferrule, inside, 50x30x1, RAL7042		4
5		1488684-0152	Upper bed end bow Silver, Medley		2
6		418443	Locking ring for mattress support RAL7039		4
7		1492401-7042	Slider system for side rails, Medley (2 pcs.)		2
8		1545573	Kit plastic tube for bed end Medley (4 with locking)		2
9		803979-7035	Finger screw M6x16 Ø20 head, RAL 7035		4
10		1536887	Castor Ø50 mm		4
11		803057	Screw Chc M10x30, self locking		4
12		1488682-0152	Lower bed end bow Silver, Medley		2
13		1423811	Cable LA27 1250+150mm		2
14		1489062	Clevis pin Ø10x35 iso2341B		4
15		1432760	Plastic cap for motor LA27, black		2
16		816427	Spring pin Ø2x43		4
17		1423843	Motor LA27		2

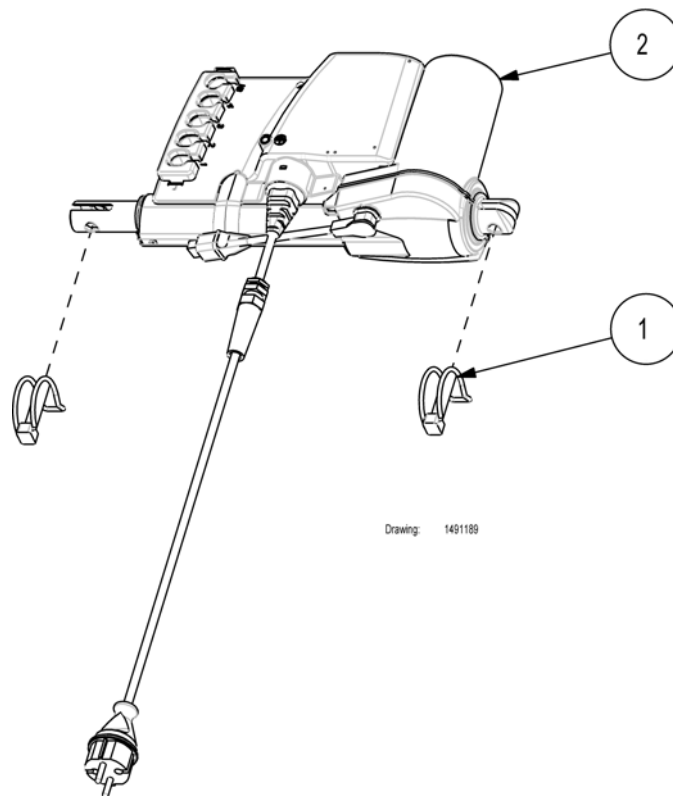
Actuator thigh rest



Drawing: 1423885_IL_IL2

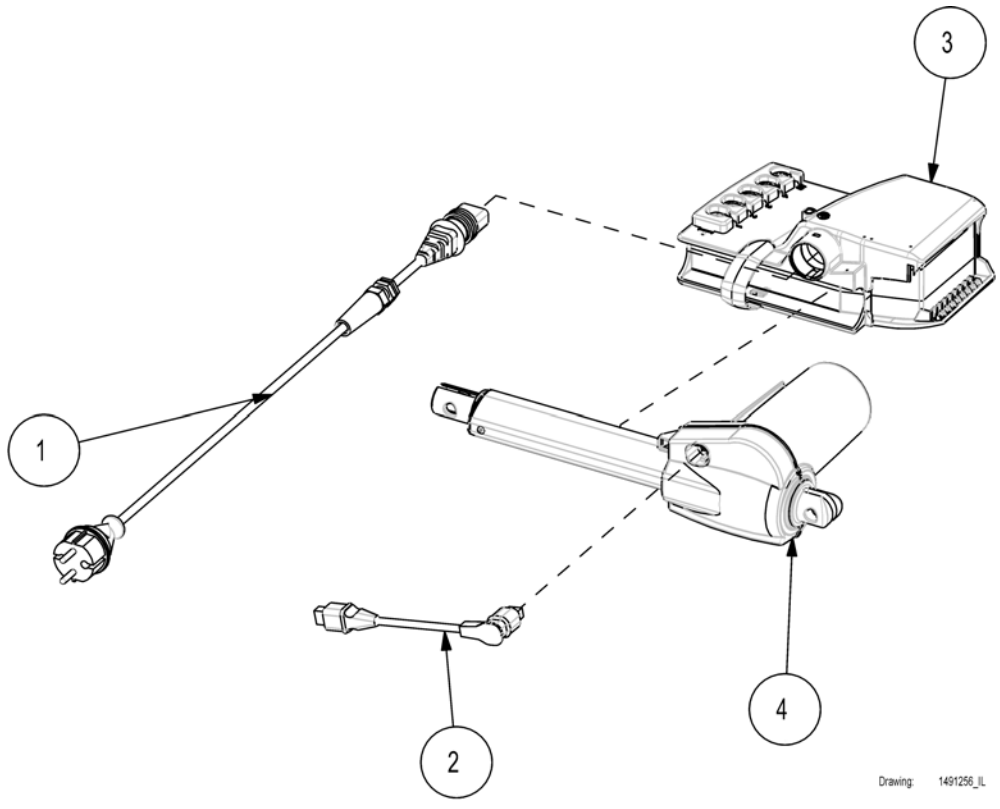
Pos.	P	number	Description	Valid from → until	Qty
1		819411	Safety pin Ø10 x 50 mm		2
2		1423808	Thigh motor		1
3		1423813	Height motor/cable (1,25 m)		1

Actuator/control unit EU



Pos.	P	number	Description	Valid from → until	Qty
2	-		Actuator/control unit EU		1
1	819411		Safety pin Ø10 x 50 mm		2

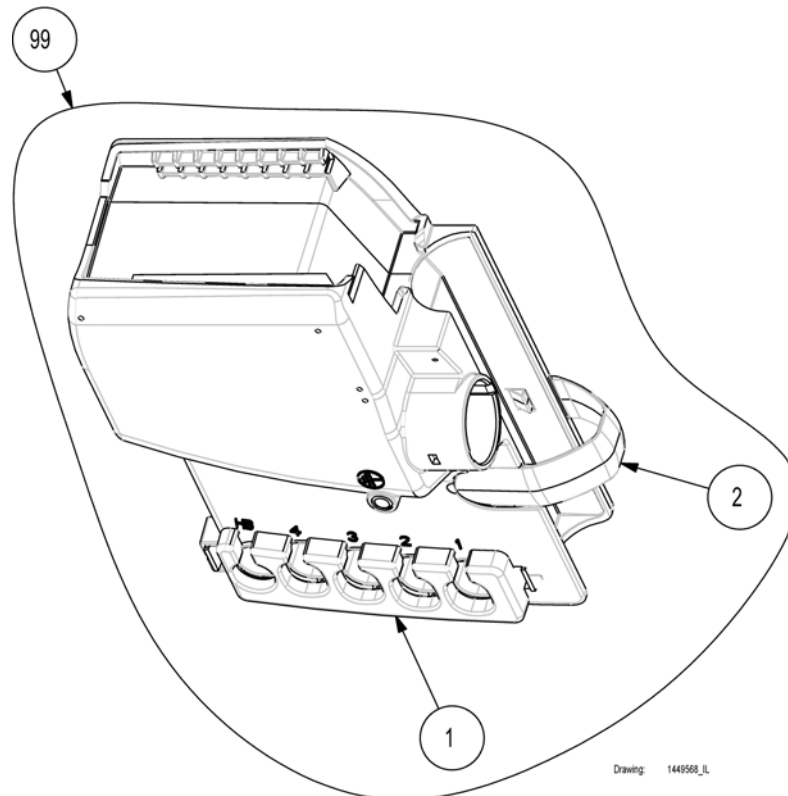
Actuator/control unit EU



Drawing: 1491256_IL

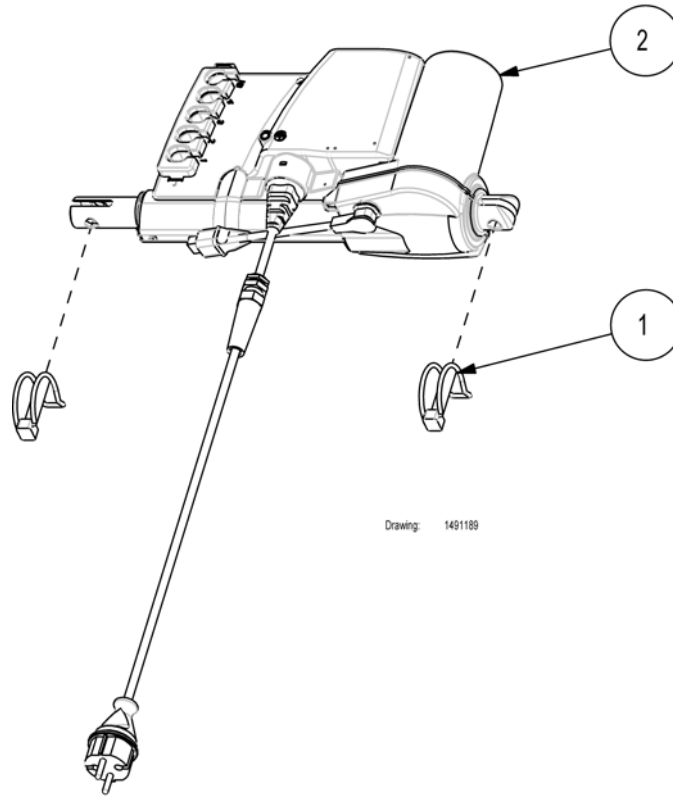
Pos.	P	number	Description	Valid from → until	Qty
3	-		Control unit parts		1
1	1417517		Mains cord, EU		1
2	1423812		Backrest actuator 24V LA27 cord (0,27 m)		1
4	1492464		Backrest actuator 24V LA27		1

Control unit parts



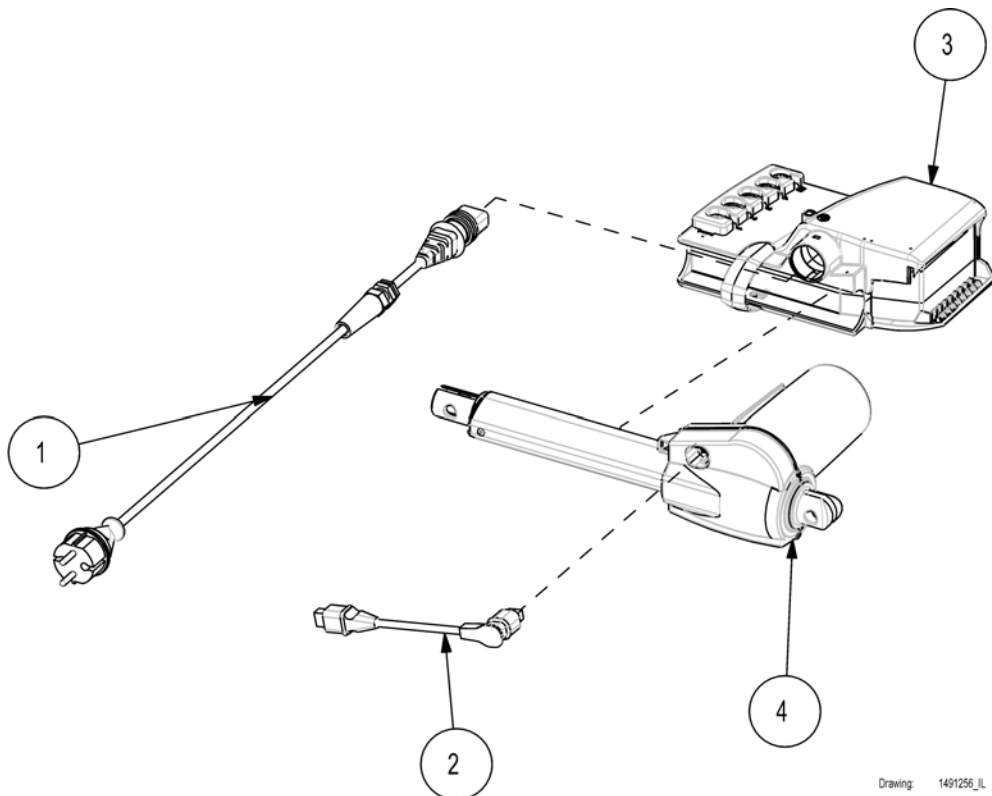
Pos.	P	number	Description	Valid from → until	Qty
1		1423968.50	Control unit locking clip for actuators plugs		1
2		1427705	Control unit fitting clip for backrest actuator		1
99		1449568	Control unit CB06		1

Actuator/control unit UK



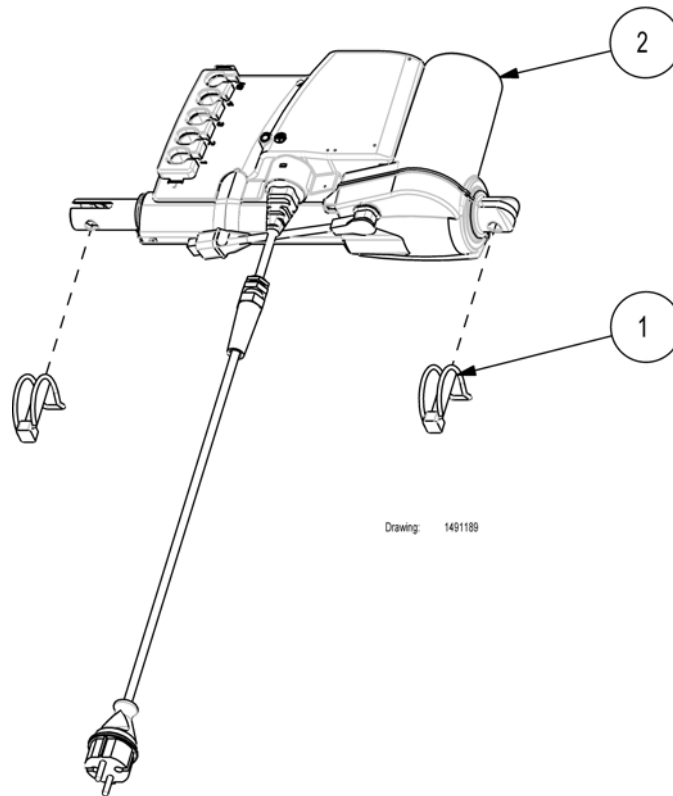
Pos.	P	number	Description	Valid from → until	Qty
2	-		Actuator/control unit UK		1
1	819411		Safety pin Ø10 x 50 mm		2

Actuator/control unit UK



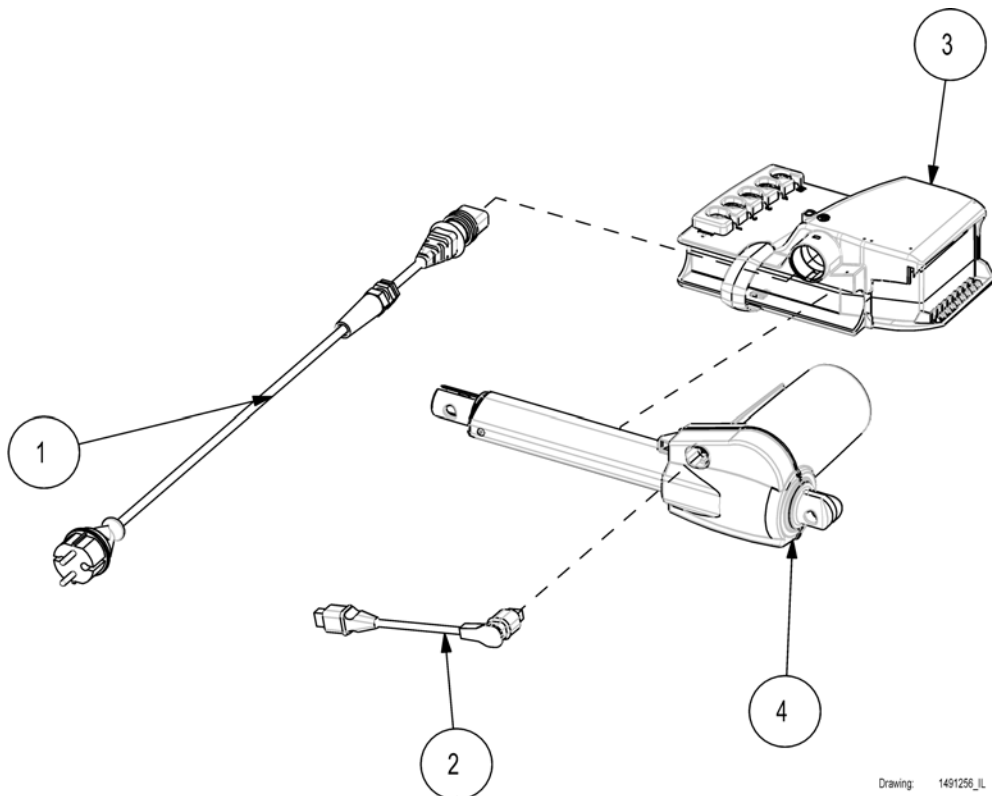
Drawing: 1491256_IL

Pos.	P	number	Description	Valid from → until	Qty
3	-		Control unit parts		1
1	1493570		Mains cord, UK		1
2	1423812		Backrest actuator 24V LA27 cord (0,27 m)		1
4	1492464		Backrest actuator 24V LA27		1



Pos.	P	number	Description	Valid from → until	Qty
2	-		Actuator/control unit AUS		1
1	819411		Safety pin Ø10 x 50 mm		2

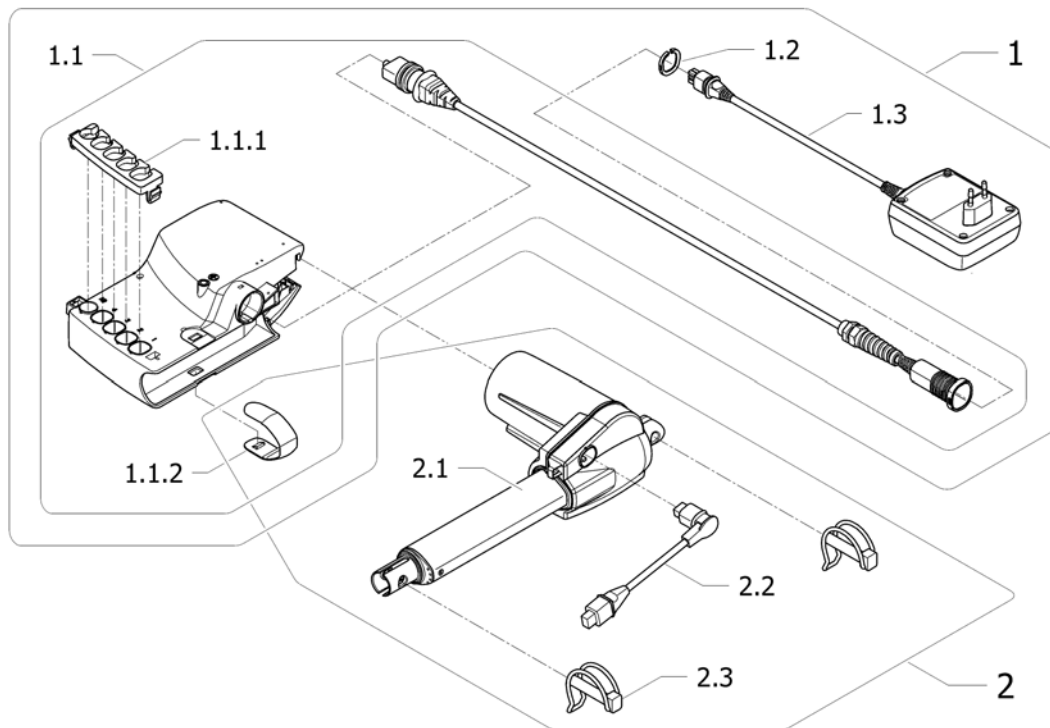
Actuator/control unit AUS



Drawing: 1491256_IL

Pos.	P	number	Description	Valid from → until	Qty
3	-		Control unit parts		1
1	1417620		Main lead 3,2m black AUS plug S385		1
2	1423812		Backrest actuator 24V LA27 cord (0,27 m)		1
4	1492464		Backrest actuator 24V LA27		1

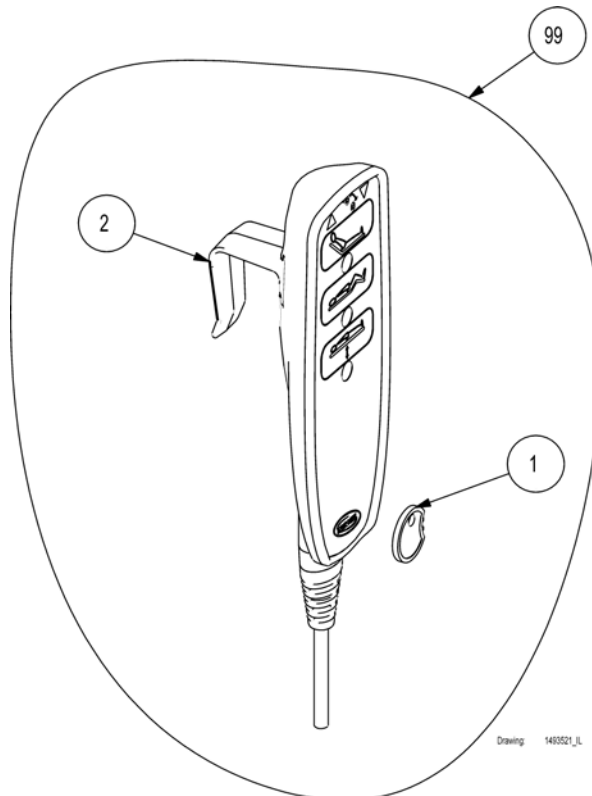
Actuator/control unit 24Volts EU



ISPS1545309

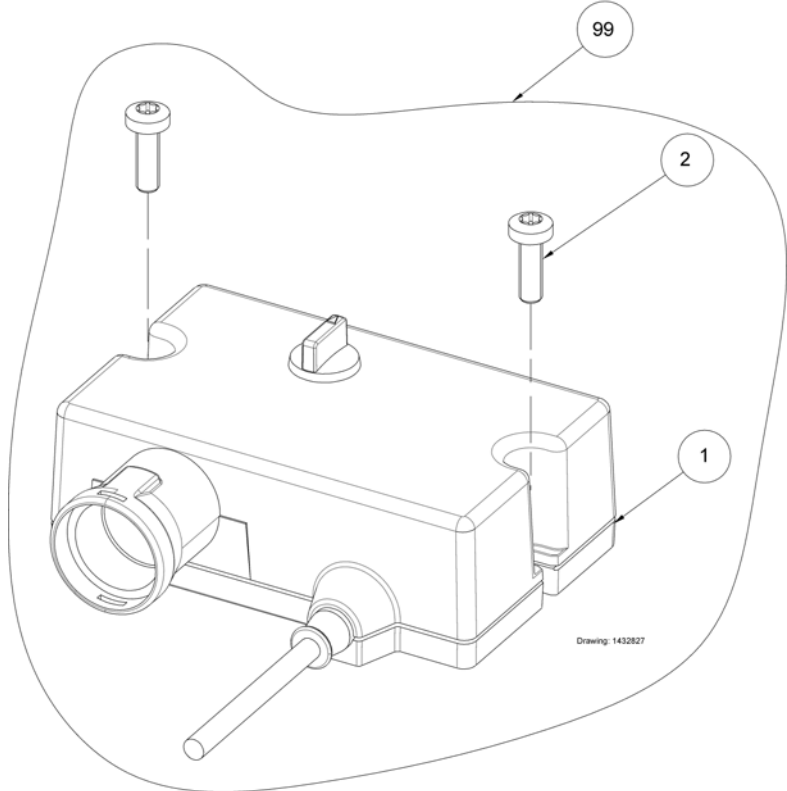
Pos.	P	number	Description	Valid from → until	Qty
1		1545624	Kit control unit 24V CB6444+10X19 with power cord and wall transformer		1
1.1		1509465-7016	Control unit 24V CB6444+10X19 with power cord 0,8 m		1
1.1.1		1423968.50	Control unit locking clip for actuators plugs		1
1.1.2		1427705	Control unit fitting clip for backrest actuator		1
1.2		1509468-7035	Lock for plugs main power cord/wall transformer 24V		1
1.3		1509466-7016	Wall transformer 24V for control unit CB6444+10X19 + cord 3,4 m EU		1
2		1545625	Kit backrest actuator LA27 with cord, fitting clip and safety pins		1
2.1		1492464	Backrest actuator 24V LA27		1
2.2		1423812	Backrest actuator 24V LA27 cord (0,27 m)		1
2.3		819411	Safety pin Ø10 x 50 mm		2

Hand controls HB74/HL80



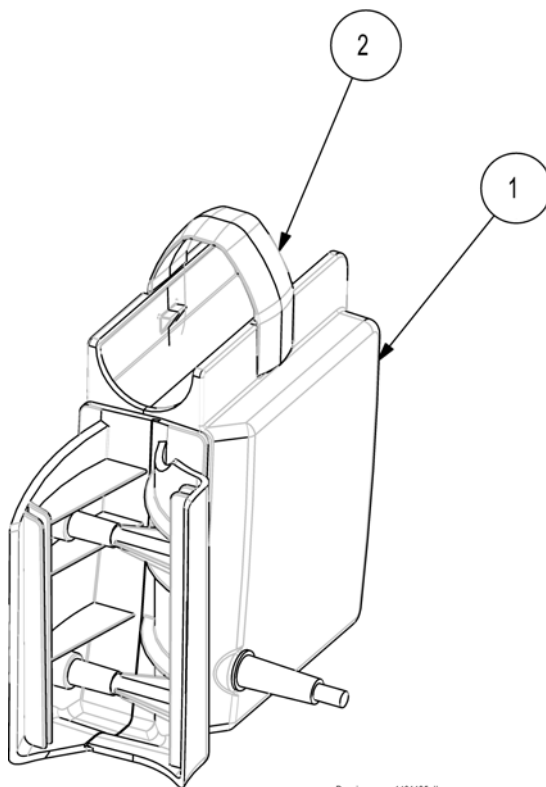
Pos.	P	number	Description	Valid from → until	Qty
1		1493529	Blocking key for hand control HL80		1
2		819487-7035	Suspension for HB73 hand control		1
2		1494076	Suspension for HL80 hand control		1
99		1493521-7035	Hand control HL80 CB06 RAL7035		1
99		1423846	Hand control HB73 CB06		1

ACP box

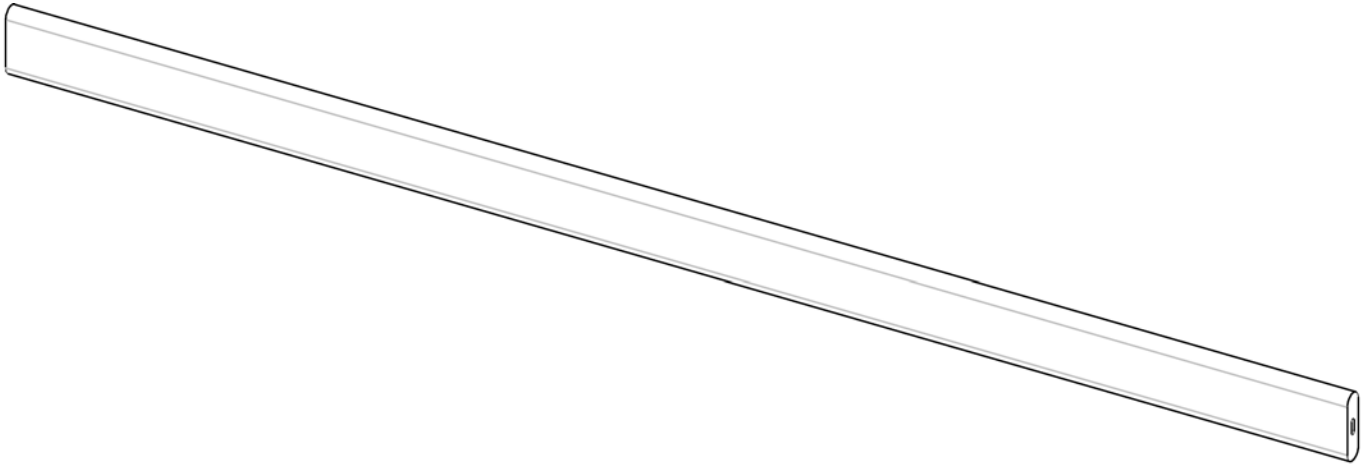


Pos.	P number	Description	Valid from → until	Qty
1	1423844	ACP box, LA27, CB06		1
2	1427835	Screw M5x16 iso 7045 torx taptite		2
99	1432827	ACP box		1

Back up battery



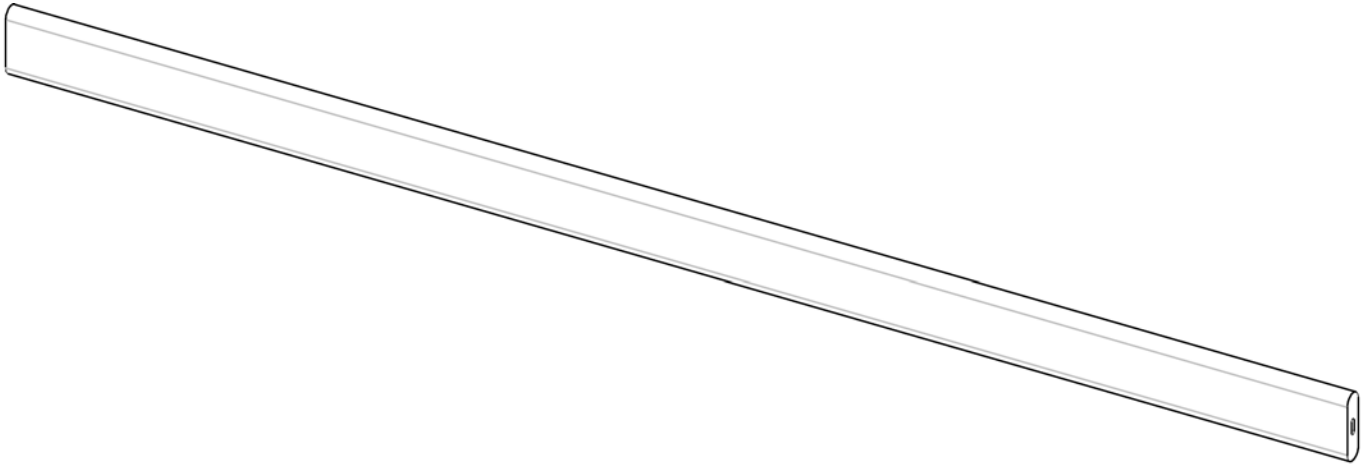
Pos.	P number	Description	Valid from → until	Qty
1	1449687	Battery for emergency lowering, Medley		1
2	1491150	Locking clips for backup battery CB06		1

Wooden side rail

Drawing: 1488660_IL

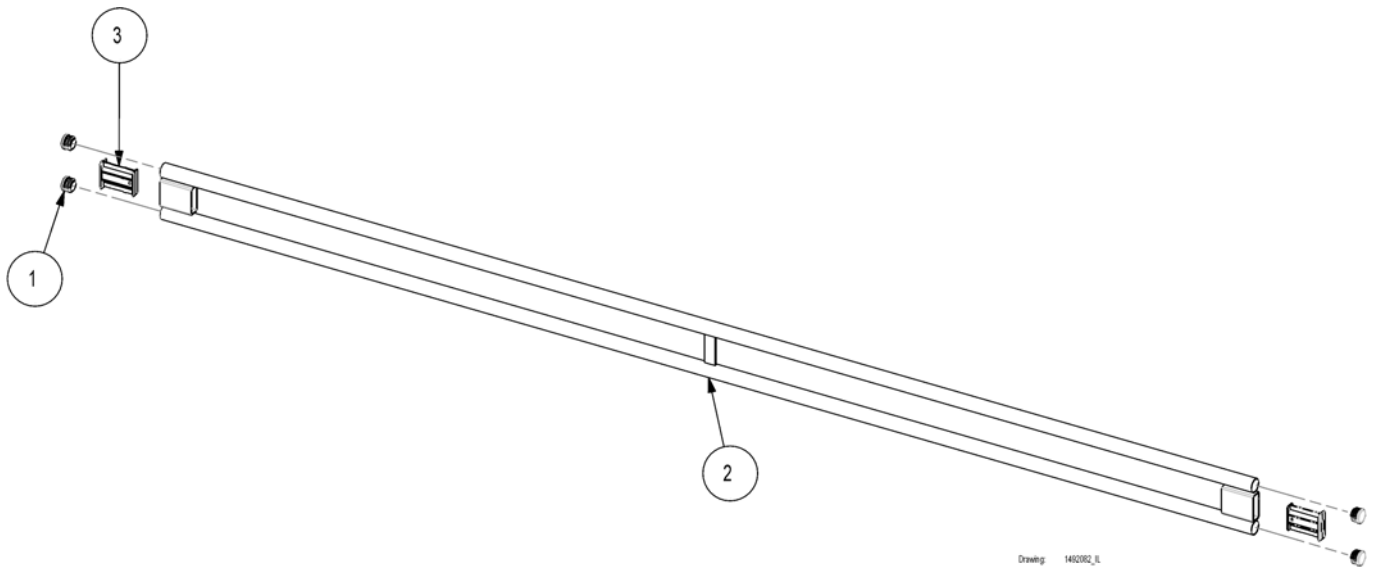
Pos.	P number	Description	Valid from → until	Qty
	1491224-0101	Side rail bars, wood, beech (4 pcs.)		1
	1491224-0105	Side rail bars, wood, white pigmented (4 pcs.)		1

Wooden side rail extended



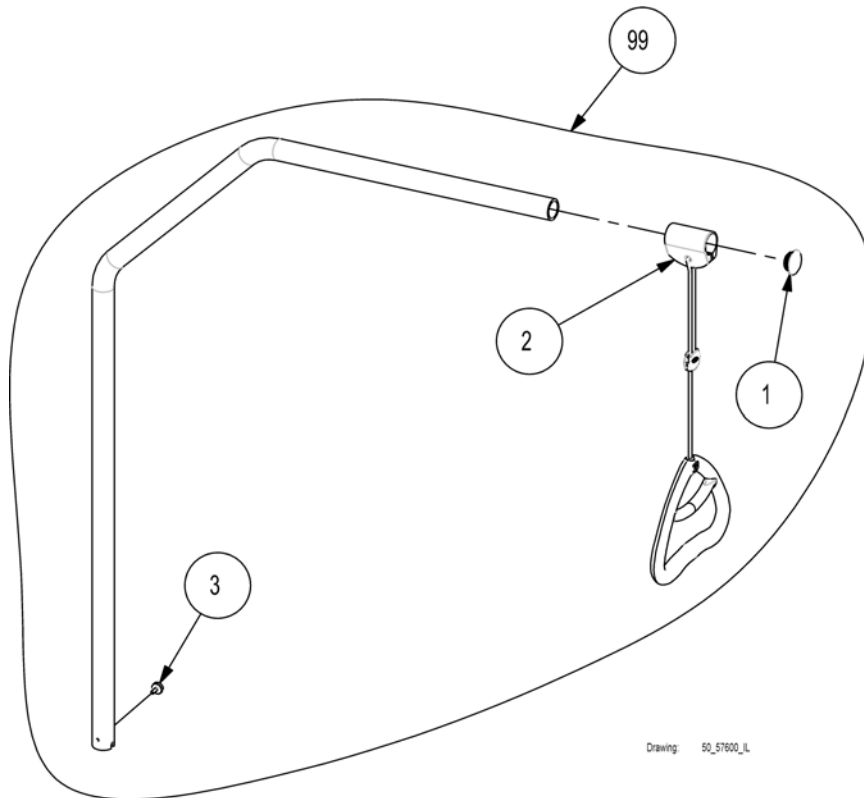
Drawing: 1488660_IL

Pos.	P number	Description	Valid from → until	Qty
	1491305-0101	Side rail bars, wood, beech, extended (4 pcs.)		1

Steel side rail

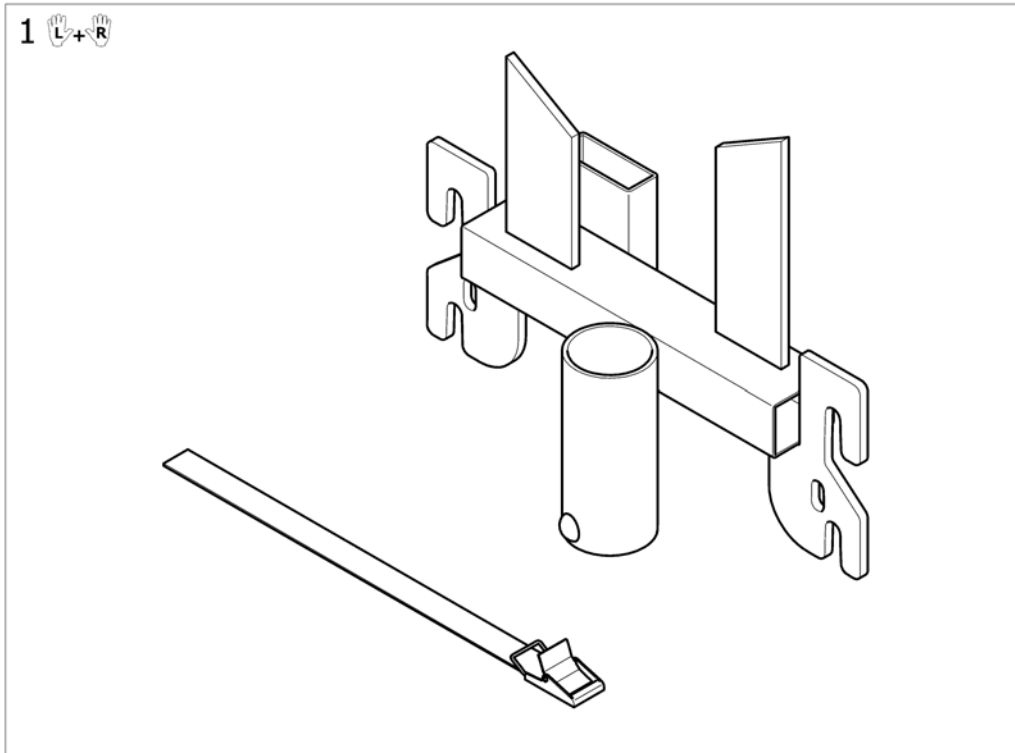
Pcs.	P number	Description	Valid from → until	Qty
1	819424-7042	End plug Ø25x1-3 mm, RAL 7042		16
2	1491226-0152	Side rail bars, steel, Medley (4 pcs.)		1
3	1492509-7042	Ferrule 50x20, inside, RAL7042		8

Lifting pole



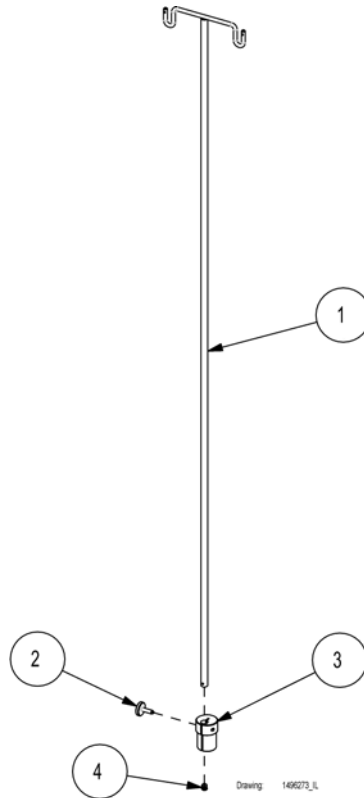
Pos.	P number	Description	Valid from → until	Qty
1	317836	Cap for lifting pole		1
2	320597	Lifting pole handle		1
3	803979-9005	Finger screw M6 x 16 mm Ø20 (lifting pole)		1
3	803979-7035	Finger screw M6x16 Ø20 head, RAL 7035		1
99	1542093-1015	Lifting pole in Ivory <i>Replace 50.57600.D0</i>		1

Transport bracket

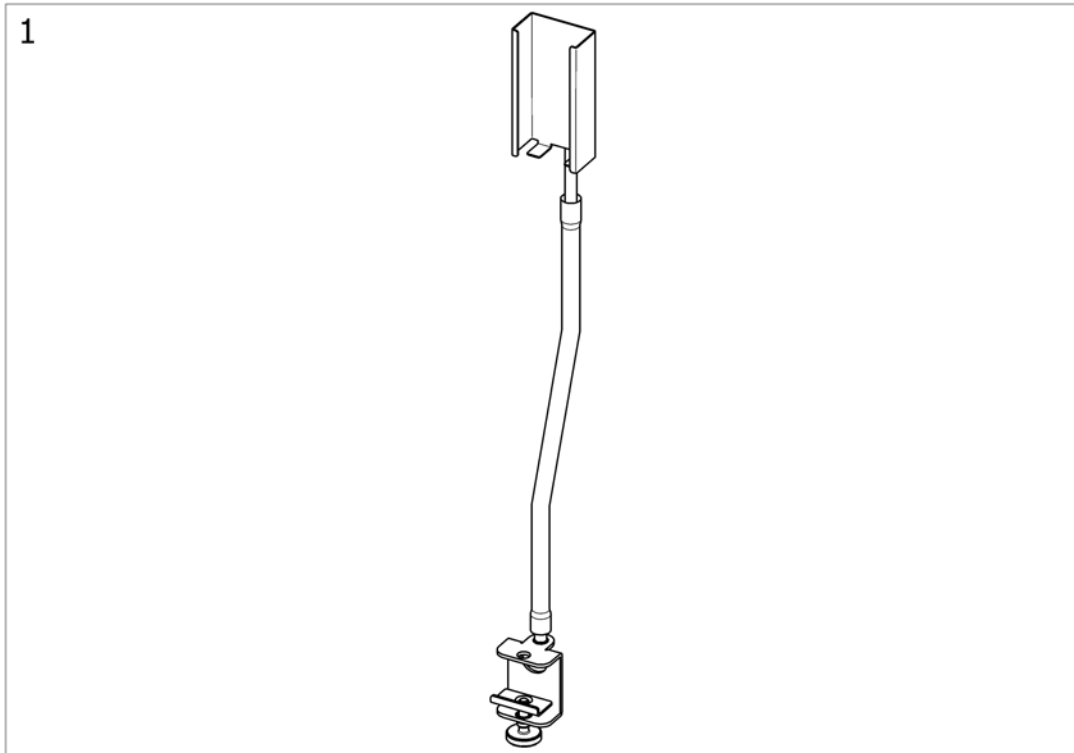


Pos.	P number	Description	Valid from → until	Qty
1	1427838-7032	Transportation kit for Medley (pair) <i>Replace 1493223, 1492933 and 1492934</i>		1

IV drop rod

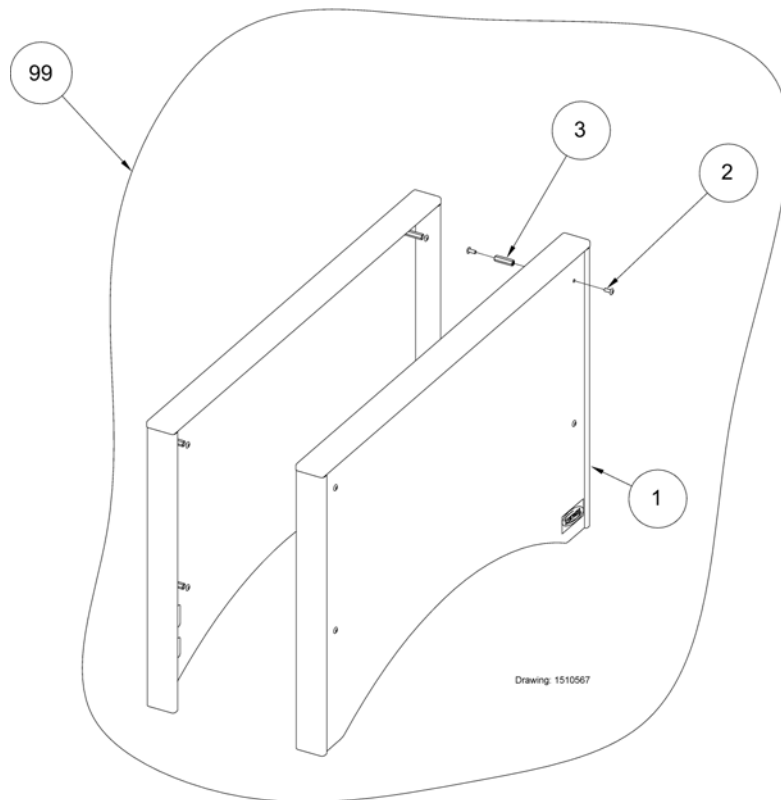


Pos.	P number	Description	Valid from → until	Qty
1	50.60030.D0	Drip rod, ivory		1
2	405049	Finger screw M8 x 25 mm		1
3	420681	Holder for drip rod		1
4	804409	Ferrule 12 mm black		1



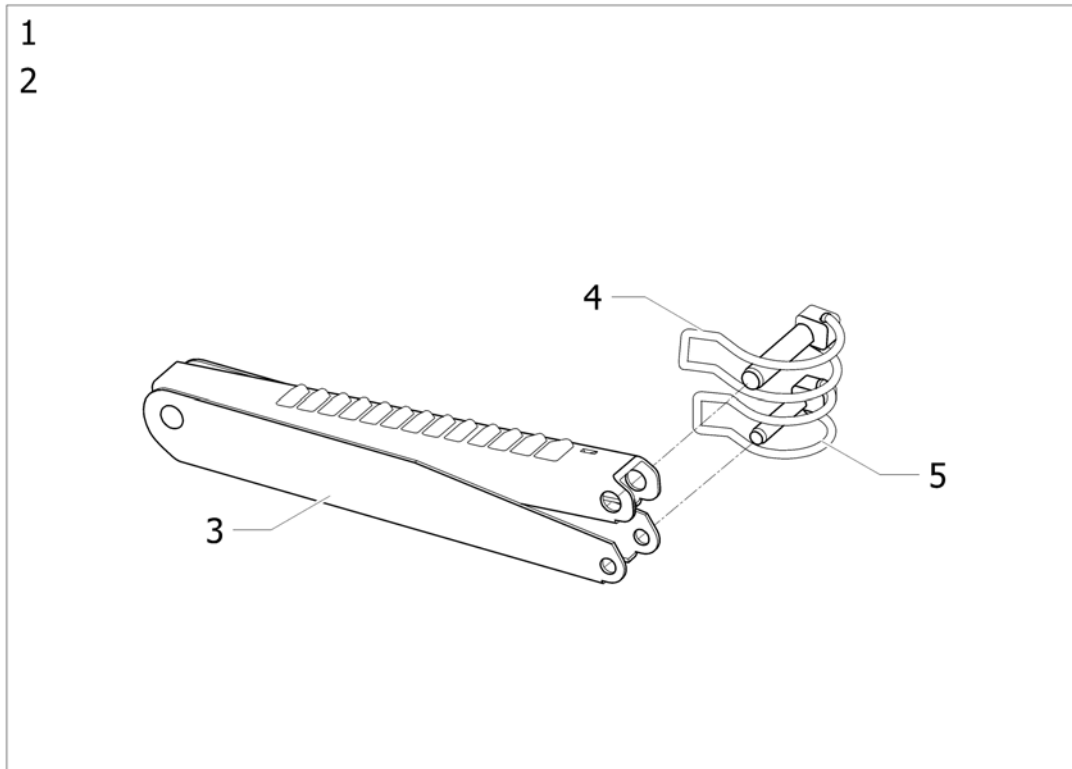
Pos.	P number	Description	Valid from → until	Qty
	1427870-0152	Support for hand control, silver		1
	1427870-1015	Support for hand control, RAL1015		1

Medley select bed end cover



Pcs.	P	number	Description	Valid from → until	Qty
1		1507401-0101	Medley select bed end cover beech w/o fixation (unit)		2
1		1507401-0105	Medley select bed end cover White pigmented w/o fixation (unit)		2
2		1514480	Furniture screw M6x15		16
3		1514493	Threaded tube M6x40		8
99		1510567-0105	Medley select bed end cover (2 pcs.)		1
99		1510567-0101	Medley select bed end cover (2 pcs.)		1

Rastofix bracket for bed end



Pos.	P	number	Description	Valid from → until	Qty
1		1514479	Rastofix bracket for leg section 2 fonctions		1
2		1552354	Rastofix bracket for leg section 3 fonctions		1
3		817205	Rastofix fitting		1
3		418467	Rastofix foot,4-sect.SB200, S385		1
4		1417415	Pipe pin Ø8 x 40 mm		1
5		1417416	Pipe pin Ø6 x 32 mm		1



Yes, you can.®



Belgium & Luxemburg:

Invacare nv, Autobaan 22, B-8210 Loppem
Tel: (32) (0)50 83 10 10, Fax: (32) (0)50 83 10 11
belgium@invacare.com

Danmark:

Invacare A/S, Sdr. Ringvej 37, DK-2605 Brøndby
Tel: (45) (0)36 90 00 00, Fax: (45) (0)36 90 00 01
denmark@invacare.com

Deutschland:

Invacare Aquatec GmbH, Alemannenstraße 10, D-88316 Isny
Tel: (49) (0)75 62 7 00 0, Fax: (49) (0)75 62 7 00 66
info@invacare-aquatec.com

European Distributor Organisation:

Invacare, Kleiststraße 49, D-32457 Porta Westfalica
Tel: (49) (0)57 31 754 540, Fax: (49) (0)57 31 754 541
edo@invacare.com

España:

Invacare SA, c/Areny s/n, Polígon Industrial de Celrà, E-17460 Celrà (Girona)
Tel: (34) (0)972 49 32 00, Fax: (34) (0)972 49 32 20
contactsp@invacare.com

France:

Invacare Poirier SAS, Route de St Roch, F-37230 Fondettes
Tel: (33) (0)2 47 62 64 66, Fax: (33) (0)2 47 42 12 24
contactfr@invacare.com

Ireland:

Invacare Ireland Ltd, Unit 5 Seatown Business Campus, Seatown Road, Swords, County Dublin - Ireland
Tel: (353) 1 810 7084, fax: (353) 1 810 7085
ireland@invacare.com

Italia:

Invacare Mecc San s.r.l., Via dei Pini 62, I-36016 Thiene (VI)
Tel: (39) 0445 38 00 59, Fax: (39) 0445 38 00 34
italia@invacare.com

Nederland:

Invacare BV, Celsiusstraat 46, NL-6716 BZ Ede
Tel: (31) (0)318 695 757, Fax: (31) (0)318 695 758
nederland@invacare.com, cseede@invacare.com

Norge:

Invacare AS, Grensesvingen 9, Postboks 6230, Etterstad, N-0603 Oslo
Tel: (47) (0)22 57 95 00, Fax: (47) (0)22 57 95 01
norway@invacare.com, island@invacare.com

Österreich:

Mobitec Mobilitätshilfen GmbH, Herzog Odilostrasse 101, A-5310 Mondsee
Tel: (43) 6232 5535 0, Fax: (43) 6232 5535 4
office@mobitec-austria.com, austria@invacare.com

Portugal:

Invacare Lda, Rua Estrada Velha, 949, P-4465-784 Leça do Balio
Tel: (351) (0)225 1059 46147, Fax: (351) (0)225 1057 39
portugal@invacare.com

Sverige & Suomi:

Invacare AB, Fagerstagatan 9, S-163 91 Spånga
Tel: (46) (0)8 761 70 90, Fax: (46) (0)8 761 81 08
sweden@invacare.com, finland@invacare.com

Switzerland:

Mobitec Rehab AG, Benkenstrasse 260, CH-4108 Witterswil
Tel: (41) (0)61 487 70 80, Fax: (41) (0)61 487 70 81
office@mobitec-rehab.ch, switzerland@invacare.com

United Kingdom:

Invacare Limited, Pencoed Technology Park, Pencoed, Bridgend CF35 5HZ
Switchboard Tel: (44) (0)1656 776200, Fax: (44) (0)1656 776201
Customer services Tel: (44) (0)1656 776222, Fax: (44) (0)1656 776220
UK@invacare.com