

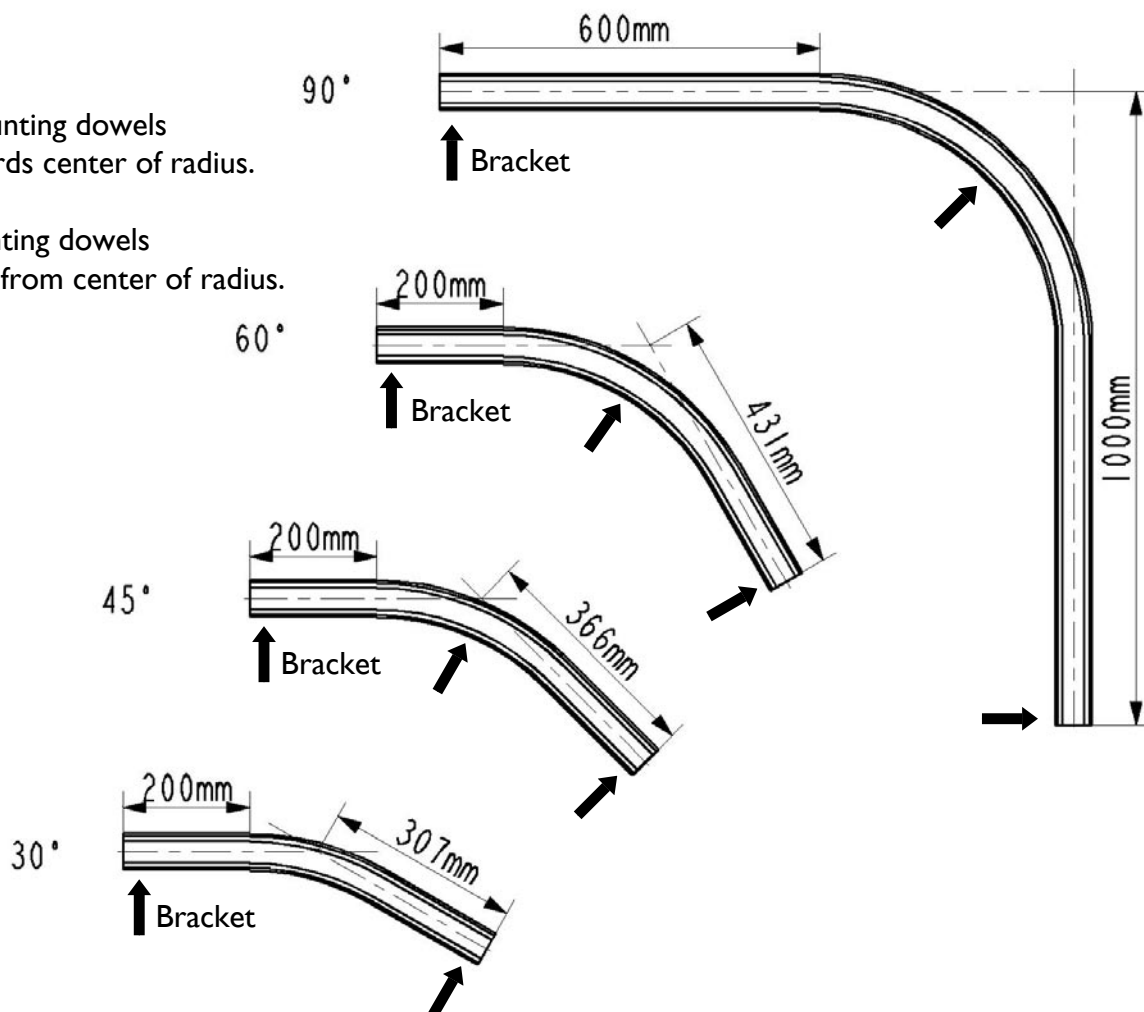


Measuring sketch for Invacare[®] EC-Track[™]

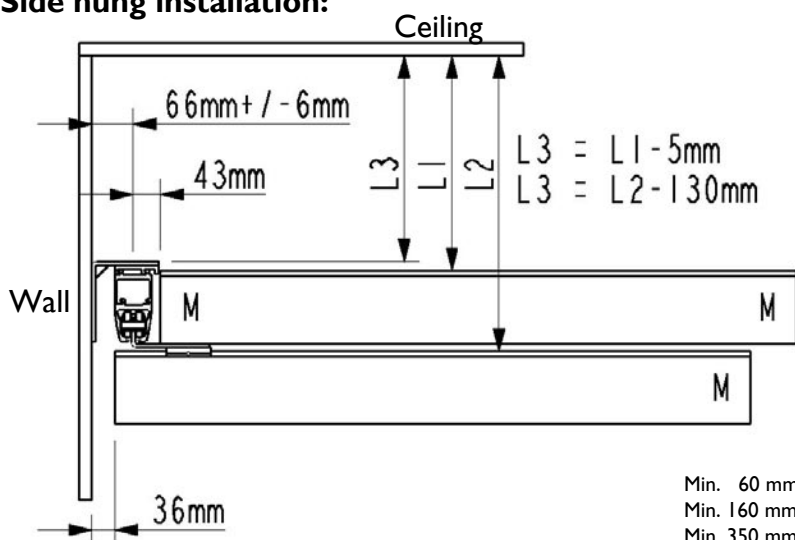
Curves:

Right curve: Mounting dowels are turned towards center of radius.

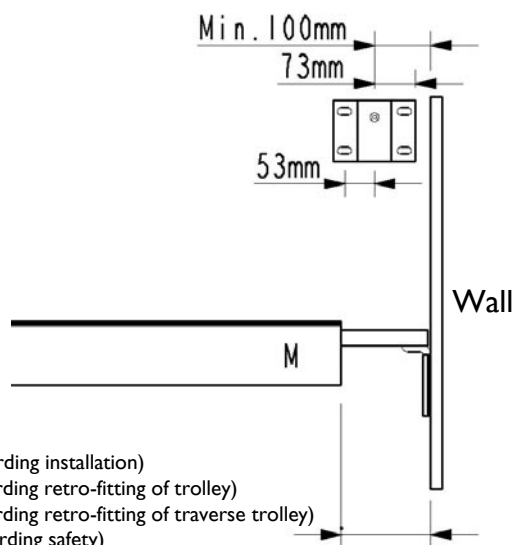
Left curve: Mounting dowels are turned away from center of radius.



Side hung installation:



End hung installation:



Min. 60 mm (regarding installation)
 Min. 160 mm (regarding retro-fitting of trolley)
 Min. 350 mm (regarding retro-fitting of traverse trolley)
 Max. 350 mm (regarding safety)

