

e·fix[®]

Gebrauchsanweisung

User's Manual

Mode d'emploi du dispositif e·fix

Instrucciones de uso e·fix

Istruzioni per l'uso di e·fix

Brugsvejledning

Gebruiksaanwijzing

Bruksanvisning e·fix

Bruksanvisning till e·fix

D

GB

F

E

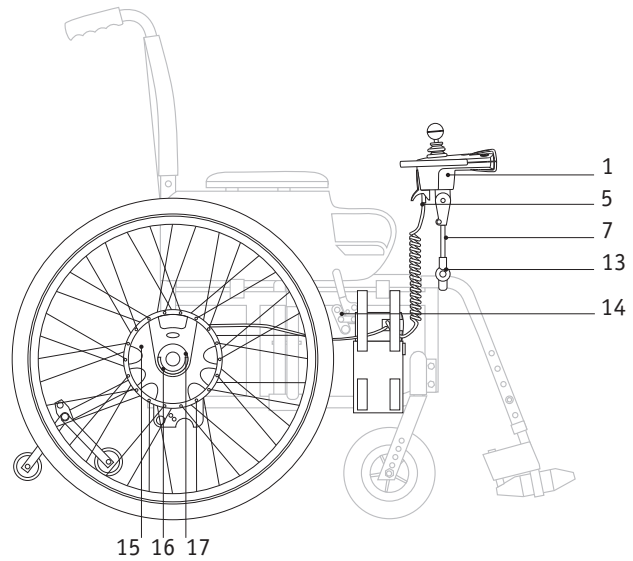
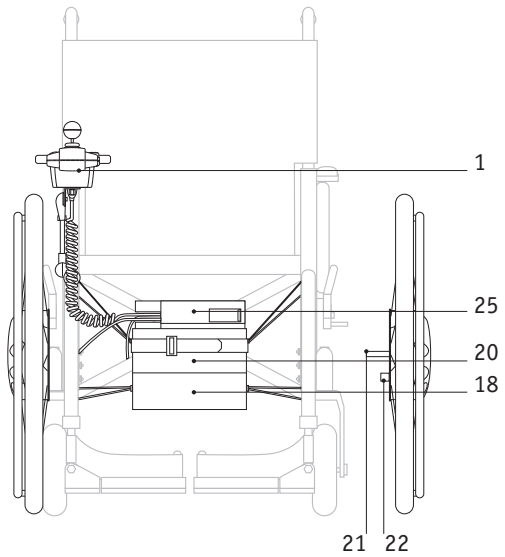
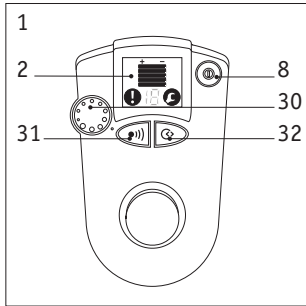
I

DK

NL

N

S



alber-Vertretungen

Teil 1

AUS

2, Fairview Road
5152 Crafers
South Australia
Tel.: 08-83 70 90 15 Fax: 08-83 70 89 10

Anelco Mobility

DK

Baldersbuen 17, Box 220
2640 Hedehusene
Tel.: 046-590 177 Fax: 046-590 197

NEBA

A Mobitec Mobilitätshilfen GmbH

Gewerbepark/Tiefgraben 420
5310 Mondsee
Tel.: 06232-55 350 Fax: 06232-55 354

E

Edificio Mar y Sol s/n
38650 Los Cristianos Arona
Tenerife
Tel.: 09-22 75 02 89 Fax: 09-22 75 02 83

LeRo Minusval S.L.

CAN DOLOMITE Home Care Produkts Inc.

50 Shields Court
Markham, ON L3R 9T5
Tel.: 0905-4 795 479 Fax: 0905-4 799 227

F

Parc du Moulin à Vent
69693 Vénissieux
Tel.: 472-785050 Fax: 472-785055

Mobitec S.a.r.L.

CH

Bahnhofstrasse 3
5436 Würenlos
Tel.: 056 - 4015200 Fax: 056 - 4015201

Mobitec Rehab AG

FIN

Jäspilänkatu 28c
04250 Kerava
Tel.: 09-753-5400 Fax: 09-753-5401

Handico Oy

CZ

Ceskolipska 4319
27601 Melink
Tel.: 0206-630 135 Fax: 0206-630 199

PATRON Bohemia s.r.o

alber-Vertretungen

Teil 2

GB **Simonds Healthcare Ltd.**
9, March Place
Gatehouse Way
Aylesbury, Bucks HP19 8UA
Tel.: 01296-38 02 00 Fax: 01296-38 02 79

GR **Helektrokinissi**
Pappaflessa Str. 10
Thessaloniki 55133
Tel.: 31-433720 Fax: 31-433730

I **Gruppo Plus**
Via f. Ili Carli 69
50060 Molino del Piano (FI)
Tel.: 055-8364 442 Fax: 055-8364 607

IL **I.Q.L.C.**
Kfar Hasidim Junction
"Sonol" zone
20400 Kfar Hasidim
Tel.: 04-9930456 Fax: 04-9930007

J **Alber Japan Co., Ltd.**
4-1-9, Narihira, Sumida-ku
Tokyo 130-0002
Tel.: 3-5619-7251 Fax: 3-5619-7252

N **Medema-gruppen AS**
Stamveien 6
1481 Hagan
Tel.: 0670-64 917 Fax: 0670-64 990

NL **Eureva BV**
Saturnusstraat 95
2516 AG Den Haag
Tel.: 070-3855 209 Fax: 070-3470 508

TR **Destek**
P.K.87, Kavaklidere 06692
Ankara
Tel.: 0312-4 303 871 Fax: 0312-4 303 872

USA **Frank Mobility Systems, Inc.**
PIIP-ICM Building
1003, International Drive
Oakdale, PA 15071-9226
Tel.: 0724-6957 822 Fax: 0724-6953 710

Contents

1 Introduction	2	6.2 The first attempts at driving	27
1.1 Standard scope of delivery	4	6.3 Suggestions on driving with e-fix	27
1.2 Technical data	5	6.4 Dangerous ground	29
2 Wheels	6	7 Driving	30
2.1 Mounting the wheels	6	7.1 Driving with manually operated wheelchair wheels	30
2.2 Removing the wheels	7	7.2 Driving with e-fix wheels in manual mode	30
3 Batteries	8	7.3 Driving with e-fix wheels in electrically powered mode	31
3.1.1 Inserting the batteries	8	7.4 Range	31
3.1.2 Removing the battery	9	7.5 Transportation	31
3.2 Charging the batteries	10	8 Care, Maintenance and disposal	32
3.3 Charging reserve batteries	11	8.1 Cleaning	32
3.4 Safety instructions for sliding window	12	8.2 Maintenance	32
3.5 Information on the batteries	13	8.3 Disposal	32
4 Control unit	14	9 Quick assistance when not functioning correctly	32
4.1 Prior to initial use	14	9.1 Error messages on the display	33
4.2 Push buttons and displays	16	9.2 Changing the battery's fuse	34
4.3 Joystick	20	10 Control unit for attendants	34
4.4 Adjustment	22	11 Warranty and liability	36
4.5 Swivel arm	23	11.1 Warranty	36
5 Tilt supports	24	11.2 Liability	36
6 Operation	26	12 Index	37
6.1 Safety of the driver	27		

Congratulations

With the acquisition of your e·fix you chose a reliable, multifunctional, state of the art **alber** product based on most current technology.

The e·fix increases your independence and mobility tremendously. Used appropriately, it will soon prove indispensable and open up entirely unexpected possibilities to you. Mounted to your wheelchair you virtually got a powered wheelchair without the disadvantages of the latter. For instance your wheelchair remains fully foldable, which is particularly important for its transportation and the often only restricted space available.

Please read the instruction manual carefully to get familiar with the system and its variety of possibilities. Handling the e·fix is much less complicated than it may seem when reading the instructions for the first time. As a matter of fact, you will instantly realize just how easy and effortless it is to use the e·fix when your alber distributor teaches you step by step the practical handling of it. This instruction session is part of the alber service and free of charge.

In the event of further questions, please contact your local dealer or any **alber** distributor.

Have fun with your e·fix,

your **alber** team

Important safety instructions - Please observe them closely!

In the interest of your safety, the e·fix may only be operated by people who:

- have been taught how to use the e·fix
- are physically and mentally capable to use the e·fix in all possible situations of employment

The instruction session is part of the delivery package. It takes place by appointment and is done by your local dealer or one of the **alber** distributors, no extra charge involved.

If for some reason you still do not feel comfortable handling the e·fix, please contact your local dealer.

Please also observe the maximum slope your wheelchair can handle determined by the wheelchair manufacturer. Do not exceed it.

- The efficiency of the additional drive may be affected by electromagnetic fields, generated for example, by mobile telephones.
The additional drive therefore, should be switched off if mobile telephones are being used in the close vicinity of the wheelchair.
- The additional drive can also affect other equipment such as theft-proof cabinets in departmental stores.



Do not use the e·fix before you participated in the instruction session.

1.1

Standard scope of delivery

- 2 e-fix wheels
- Control unit with holding device
- Batteries plus bag
- **alber** charger
- Distributor interface
- Hand rest - control unit
- Charger adapter

Optional accessories

- Swing out holding device for control unit
- Tilt supports
- Control unit holding device for attendant
- Spoke guard
- Joystick modification
- Adapter for loading batteries when removed from wheelchair
- Battery pack 12V /17Ah
- Long hand rest
- Protective bracket for control unit
- Therapy table

1.2

Technical data

Range with a 12 Ah battery:	approximately 12 km (**)
Range with a 17 Ah (*) battery:	approximately 22 km (**)
Maximum speed:	6 km/h
Maximum gradient:	18 % (if 120 kg load is added, please stay within the wheelchair manufacturer's limitations)
Batteries:	2 x 12 Volt / 12 Ah or 2 x 12 Volt / 17 Ah
Charging voltage:	24 Volt
Operating temperature:	ambient temperature range [approx.-15 °C / +45 °C]
Weight of parts	
Batteries 12 Ah:	8,7 kg
Batteries 17 Ah:	13,2 kg
Wheel with hub motor:	8,0 kg
Charger:	1,0 kg
Control unit:	0,4 kg

(*) Batteries 17 Ah is optional

(**) The range varies depending on the ground and the prevalent driving conditions. With optimal driving conditions (among others, even ground, fully charged batteries, ambient temperature 20 °C, constant speed) the indicated travel distances can be reached.



The e-fix complies to the guidelines for medical products of the European Community 93/42/EWG.

We reserve the right for technical changes or changes in design due to continuous development.

Charger

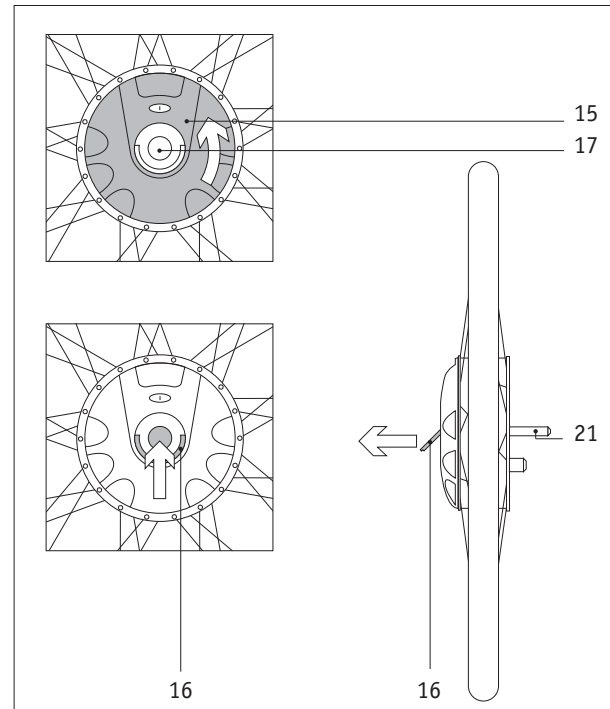
Please consult the enclosed operator's manual of the charger for technical information and instruction.

2 Wheels

2.1 Mounting the Wheels

The two electrically powered wheels are the heart of the e·fix. The wheelchair's standard manual wheels are exchanged with the e·fix wheels as follows. Please lift the wheelchair somewhat.

- Remove the wheelchair's left wheel according to the wheelchair's user's manual.
- Take an e·fix wheel and turn the coupling plate [15] counter clockwise to position "I."
- Press the middle of the shutter [17] with your thumb so that the inserted bow-type handle [16] pops out.
- Pull out the bow-type handle all the way.
- Insert the stub axle [21] of the e·fix wheel approximately halfway into the wheel receiver [24]. In this position the bow-type [16] handle juts out about 5mm above the shutter [17].
- Turn the e·fix wheel until the torque plug [22] on the wheel and the torque socket [23] on the holding device are vis-à-vis each other.

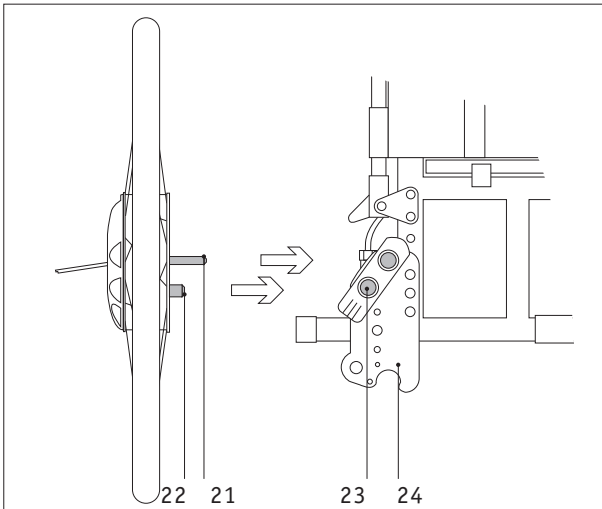


- Now insert the e·fix wheel all the way into the wheel receiver [24]. Also make sure that the torque plug [22] on the wheel is inserted into the torque socket [23] on the holding device at the same time.
- Check whether the wheel is locked into place by pulling on it. If the bow-type handle [16] folds all the way into the shutter [17], the wheel is locked properly.

- Repeat all these steps to mount the e-fix wheel on the other side.



Before driving always make sure that both wheels are properly locked (switch position I). Faulty connections show on the display of the control unit (see chapter 9.1) and lead to an immediate standstill of the system.



2.2

Removing the Wheels

If you want to transport the wheelchair, you can remove the e-fix wheels and fold the wheelchair.

- Turn the coupling plate [15] of the left wheel counter clockwise to position "I."
- Press the middle of the shutter [17] with your thumb, so that the inserted bow-type handle [16] pops out.
- Pull out the bow-type handle [16] all the way.
- Lift the wheelchair up a bit and pull the wheel out of its receiver.
- Insert the bow-type handle [16] back into the shutter [17].
- Repeat all to remove the e-fix wheel on the other side.



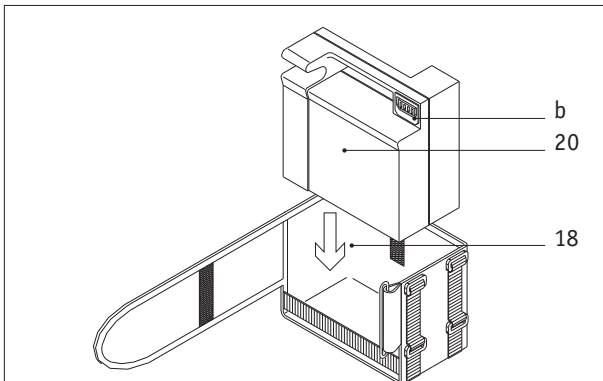
Please avoid damage at the stub axle [21] of the wheels, particularly when transporting the wheelchair.

3 Batteries

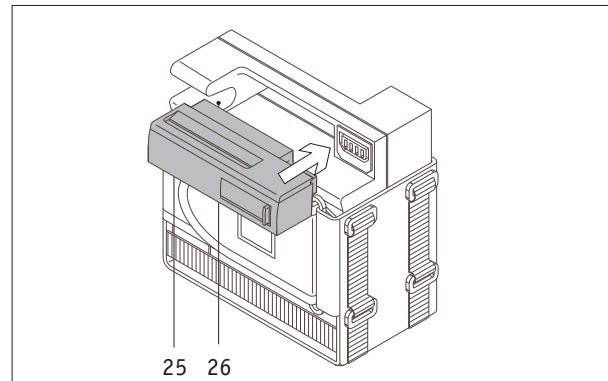
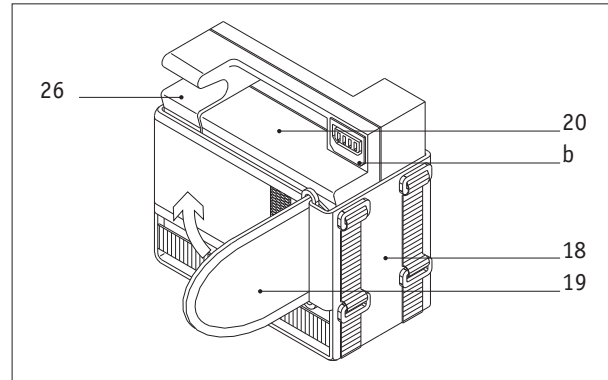
3.1.1 Inserting the batteries

It is standard that the manufacturer attaches the specifically designed bag intended for the batteries to your wheelchair when the e-fix is mounted.

- Place the batteries [20] as shown in the drawing in the battery bag [18] (connection socket of the interface points forward).
- Secure the battery bag [18] with the Velcro fastener [19]. Make sure that the Velcro fastener fits as tightly as possible to the housing of the batteries.



- Connect the interface [25] as shown in the drawing to the batteries. Make sure that the cables are inside the opening [26].

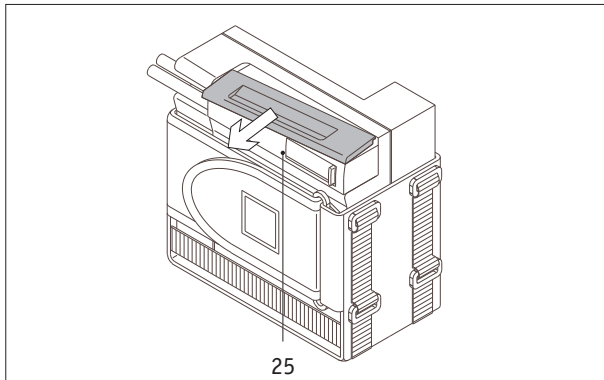


3.1.2

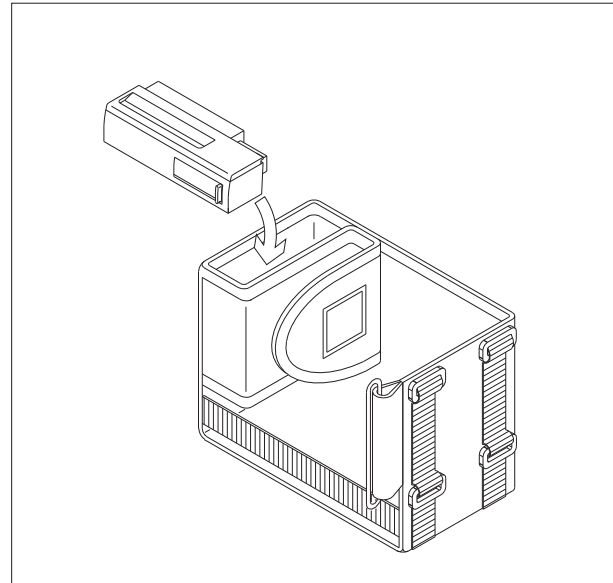
Removing the batteries

The batteries only need removing when the wheelchair requires folding for transportation. The battery bag can remain on the wheelchair and does not require removing.

- Remove the interface [25] as shown in the drawing from the batteries.
- Open fully the Velcro fastener [19] of the battery bag [18] and remove the batteries.
- Store the batteries [20] in a safe place.
- Close the sliding window on the interface if still open.
- Fold the battery bag as illustrated in the drawing, inserting the interface [25] into it.



Never use batteries other than those checked and provided by alber. The use of other batteries can cause damage to the electronics or result in the malfunctioning of your e-fix.

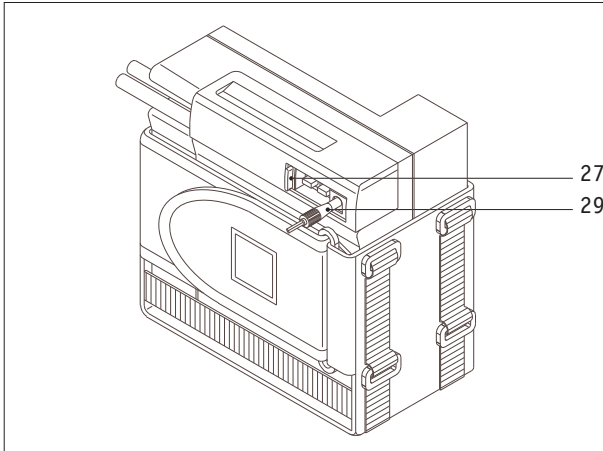


3.2

Charging the batteries on the wheelchair

After using the e-fix for a longer period of time, the batteries need recharging. There is no need to remove the batteries from the battery bag for this purpose.

- Open the sliding window [27] on the interface.
- Insert the plug of the alber charger into the charging socket [29].



- Connect the charger to a mains power supply.

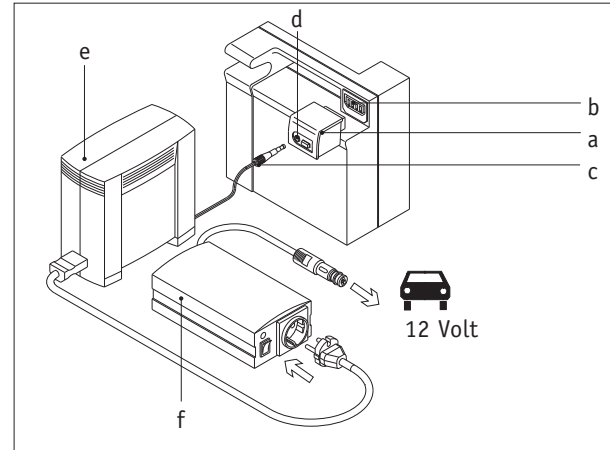


Close the sliding window of the interface after charging.

Charging the batteries in the car

When transporting your wheelchair in the car, you will most often remove the e-fix-wheels and the batteries from the wheelchair due to restricted space. The batteries can be charged while driving the car by using the cigarette lighter socket and a car charge converter which is available at a car or electrical shop.

- Insert the adapter [a] into the connection socket [b] of the battery pack.



- Insert the plug [c] of the alber charger [e] into the charging socket [d] on the adapter [a].
- Connect the charger [e] to the charge converter [f].

- Connect the charge converter [f] to the cigarette lighter of your car.
- Observe the operating instructions enclosed with the charge converter.
- Close the sliding window of the interface after charging.

Always make sure that the batteries are recharged when the e-fix has been used for a longer period of time. If the e-fix is not being used, keep the batteries connected to the charger. The **alber** charger automatically switches to a mode retaining the charge, whenever the batteries are fully charged. Thus, it is impossible to overcharge and/or damage the batteries.

3.3 Charging reserve batteries

A second (optionally available) battery pack can be charged with the charging adapter [40] while the battery pack located under the wheelchair is being charged via the e-fix interface (see chapter 3.2).

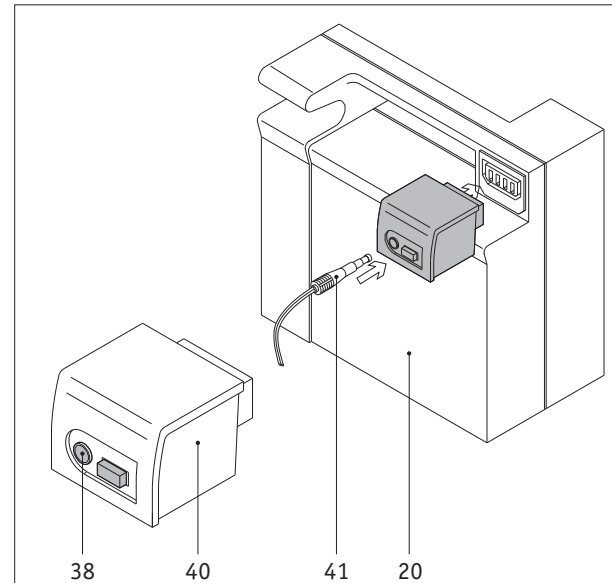
- Insert the charging adapter [40] into the connection on the battery pack [20] as illustrated in the drawing.
- Insert the battery charger plug [41] into the socket [38].
- Connect the charger to a mains power supply and switch on the battery charger.

Switch off the battery charger when charging is completed.

- Withdraw the battery charger plug [41] from the socket [38].
- Pull the charging adapter [40] out of the battery pack [20].



Please note the operating instructions supplied with the battery charger.



3.4

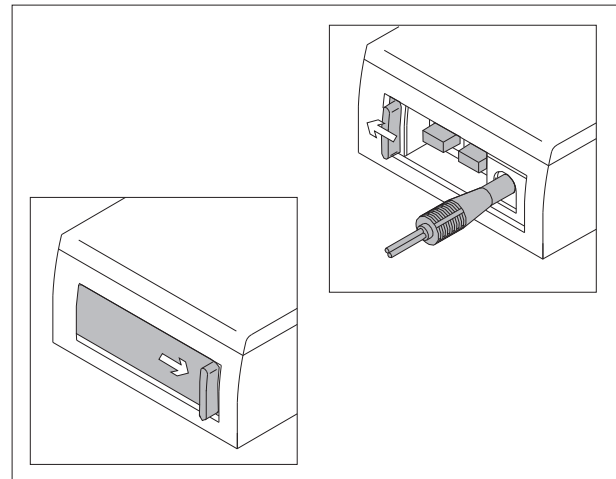
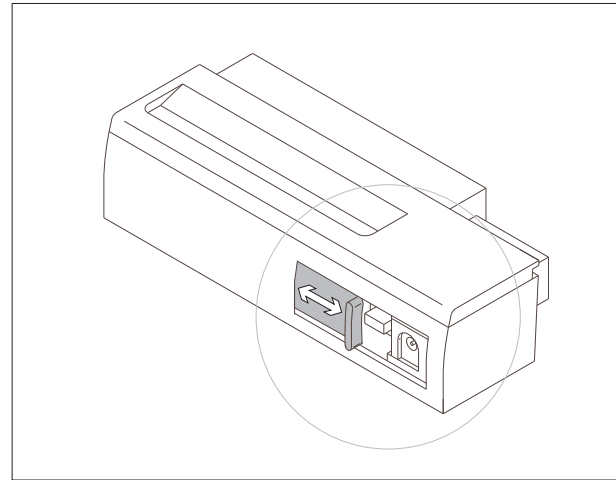
Safety Hint on the sliding window



Important Safety Hints - please observe !

- Always keep the sliding window of the interface closed!
- Only open the sliding window when connecting the charger and/or changing the fuse. Close the sliding window again!

Should liquid enter the interface (e.g. due to leakage), remove it immediately from the accumulator. For safety reasons, have the interface checked by your specialist dealer before using again.



3.5

General Information on the Batteries

The batteries of your e-fix are maintenance-free and rechargeable. Their durability depends considerably on the charging/discharging cycles. You can increase their durability by taking care of them properly such as recharging them regularly. The built-in electronics of the e-fix test the charge of the batteries continually; thus, avoiding a total discharge of them, always provided that they are used correctly.

- Avoid a total discharge of the batteries. Recharge the batteries of the e-fix after each partial discharge, i.e. after each use.
- Lead batteries are subject to a so-called self-discharge. Therefore the batteries should, when-ever possible, always be connected to the **alber** automatic charger. The alber automatic charger switches from charging to maintaining the charge once the batteries are fully charged, which means that the batteries cannot be overcharged.
- If you store lead batteries over a longer period of time without regularly recharging them, they suffer a reduction of capacity. However, after several recharging/discharging cycles they recover their full capacity.
- Incorrect handling of the battery may result in the leakage of electrolytic liquid.
This may cause injuries to the skin or damage clothing.

- Should skin or eyes come into contact with the electrolytic liquid, rinse immediately with clear water and consult a doctor.
- Do not expose the battery to fire or burn.
This may cause the battery to explode.
- Do not short circuit the battery. A short circuit causes extremely high currents which may damage the battery or the device.
- After expiry of the service life, return the battery to **alber** or the **alber** specialist dealers who will dispose of it correctly.



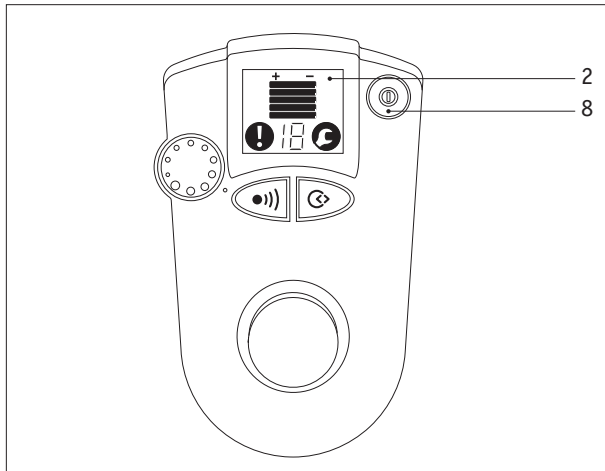
The batteries of your e-fix can be recharged or discharged in any position. They are considered as safe as dry batteries and certified for airline transportation by DOT and IATA.

Control unit

4.1

Prior to initial use

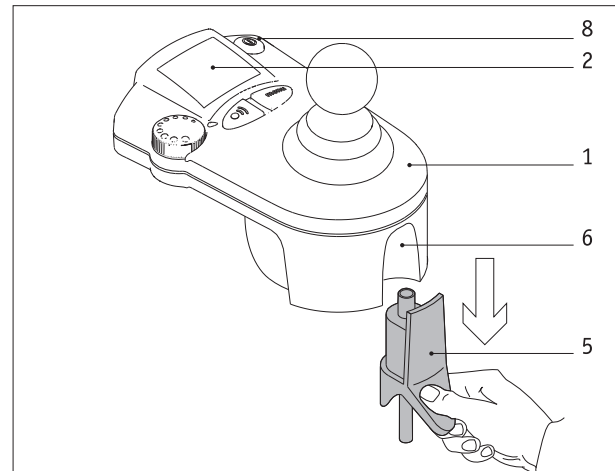
The standard delivery package of the e-fix includes mounting its various components. It is, however, advisable to remove several components from the wheelchair, for instance, if you want to transport the wheelchair in your own car. You gain more space or make better use of the existing space in your trunk.



4.1.1

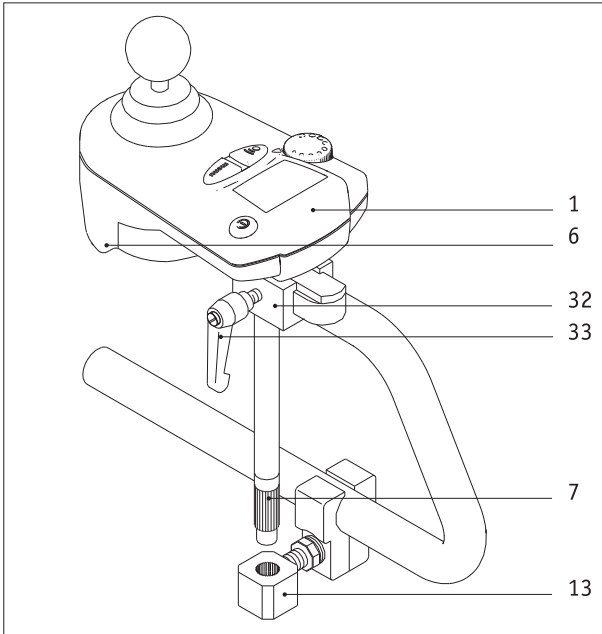
Removing the control unit

- Deactivate the e-fix by pressing the On/off switch [8] – the display goes out [2].
- Pull the plug [5] from the control unit.
- Remove the control unit [1] including the connection pipe [7] from its holding device [13].
- Place the plug of the control unit in the battery bag [18].
- Keep the control unit [1] in a safe place during transport.



An alternative method is to remove the control unit [1] from the offsetting component [32] so that an accompanying person can operate it from a bracket at the rear of the wheelchair (see Chapter 10).

- Withdraw the plug [5] from the control unit.
- Release the clamping lever [33].
- Slide the control unit [1] out of the offsetting component [32].



4.1.2

Installing the control unit

- Remove the plug of the control unit from the battery bag [18] and insert it in the socket [6] on the control unit.
- Insert the connection pipe [7] together with the control unit in the mount [13] on the wheelchair.

Proceed as follows if the control unit for the control system has been removed from the offsetting component [32] by an accompanying person:

- Slide the control unit [1] into the offsetting component [32].
- Tighten the clamping lever [33].
- Insert the plug [5] into the control unit [1].
- Your e·fix is now ready for use again.

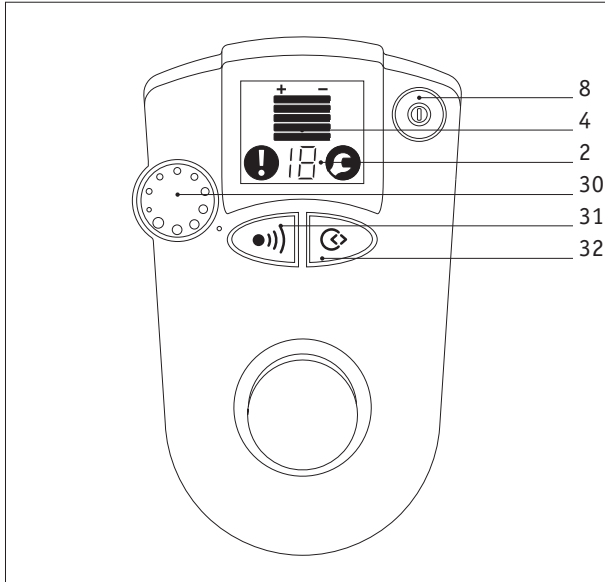
4.2

Push buttons and displays

4.2.1

On/off switch

Use the button [8] to switch the e-fix on and/or off. When switching on the e.fix, the electronic system automatically checks the operability of all components. Varying symbols simultaneously appear in the display which go off when the check was fault-free.




4.2.2

Displays

After switching on the e-fix and on completion of the automatic system check, various messages appear in the display [2]:

- The bar display [4] shows the charging state of the batteries.
Five black bars indicate that the "battery is charged 100%", four black bars indicate that the "battery is charged 80%", three black bars indicate that the "battery is charged 60%" etc.
Make sure that the batteries are recharged in time so that you can always get the most out of your e-fix. Please check Chapter 3.2 for information on charging the batteries.
- The function Indoor/outdoor is permanently displayed by the symbols "0" and/or "I" (see Chapter 4.2.5).
- The lighting of the display goes off 30 seconds after switching on the e-fix, is reactivated however, in case of a sudden error message.
- If the symbol and the Code 14 or 15 appear and an intermittent tone is heard, the wheels are not engaged. Engage the wheels (see Chapter 7.3)

- If the symbol  as well as Code 4 or 5 appear and a continuous tone is heard, the wheels are not correctly positioned in the wheel receivers.
Insert the wheels correctly in the wheel receivers on the wheelchair (see Chapter 2.1)
- If the control unit is switched on but the e-fix is not being used, it switches off automatically after 1 hour.
The switch-off period can be adjusted according to your requirements by a specialist dealer for medical accessories. (see Chapter 4.2.6).

Should the system check detect a system failure, this will be indicated in the display and an acoustic signal is simultaneously emitted. A list of all possible error messages can be found in Chapter 9.1.

4.2.3

Adjustment wheel for selecting the speed

The speed which the e-fix should achieve when the joystick is pushed as far as it will go, can be selected infinitely variably at the adjustment wheel [30]. The adjustment range is between 0.6 km/h and 6 km/h.



Wheelchair drivers who use the e-fix for the first time, should begin at a low speed (see also Chapter 6.2).

4.2.4

Horn

In order to signalize a dangerous situation, the horn can be activated via the button [31].

- If the button [31] is pressed, a permanent acoustic signal can be heard.
- If the button [31] is released, the signal stops.

4.2.5

Indoor/Outdoor button

By pressing the Indoor/Outdoor button [32], the wheelchair driver has two factory-set parameter combinations. When Indoor is activated a "I" appears in the display [2], when the Outdoor function is activated, a "O" appears. See table below:

Function	Indoor setting	Outdoor setting
Max. speed forwards	60% = 3,6 km/h	100% = 6 km/h
Max. speed backwards	60% of the maximum speed = 2,2 km/h	60% of the max. speed = 3,6 km/h
Acceleration time	2,0 sek.	1,5 sek.
Delay time	2,0 sek.	1,5 sek.
Rotation speed	31 % of maximum speed	28 % of maximum speed
Rotation acceleration/delay	0,31 sek.	0,31 sek.
Buzzer	Active	Active
In case of brake	Time delayed by 30 seconds	Time delayed by 30 seconds
Automatic switch-off time	1 hour	1 hour
Joystick stroke	100 %	100 %

4.2.6

Programming possibilities

The parameters set in the previous chapter, can be adapted to the individual requirements of the wheelchair driver and are as follows:

- Maximum speed forwards - the maximum speed that can be reached when the joystick is pushed as far as it will go
- Maximum speed backwards - the maximum speed that can be reached when the joystick is pushed as far as it will go.
- Acceleration time - the period of acceleration from standstill or the driving speed to the set maximum speed.
- Delay time - the period of braking from the maximum speed to the desired support level or standstill.
- Rotating speed - maximum speed in which the wheelchair can negotiate an arc / curve
- Rotation acceleration / delay - period of time of acceleration and/or delay when driving a curve
- Buzzer - activation or deactivation of an acoustic signal
- Braking onset – the time between the last issuance of a driving command until the electromagnetic brakes are applied.

- Automatic switch-off time - the period of time in which the e-fix remains ready to operate without switching off automatically for the purpose of saving energy.
- Joystick stroke - pushing the joystick as far as it will go to achieve a drive command.

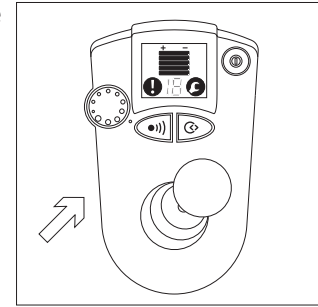


Please contact your specialist dealer for the individual adaptation of your functions. He will be only too pleased to advise you and program your settings.

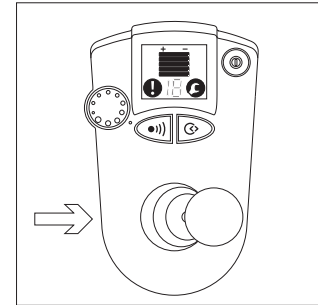
4.3 Joystick

The joystick of the e·fix can be compared to a fictional combination of steering wheel, clutch and gas pedal of a car. Basically all of the wheel-chair driver's control commands are directed to the e·fix wheels by the joystick. That's why driving the e·fix takes some practice. Please use the lowest speed when you drive the e·fix the first couple of times

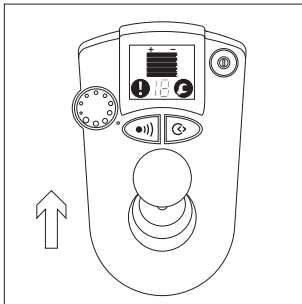
The wheelchair curves to the right driving forward.
(The curve's radius depends on the joystick's movement).



The wheelchair turns to the right on the spot.

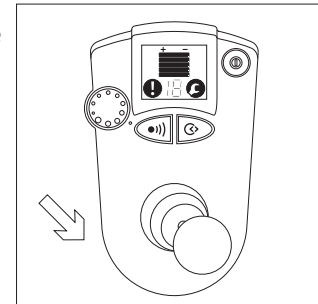


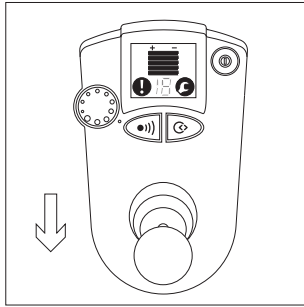
Performance (from the driver's point of view)



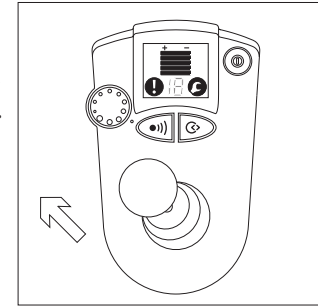
The wheelchair drives straight forward.

The wheelchair curves to the left driving backwards.
(The curve's radius depends on the joystick's movement).

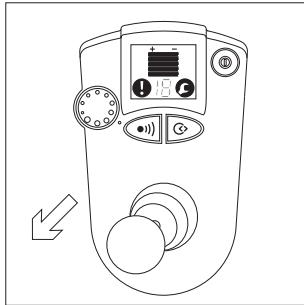




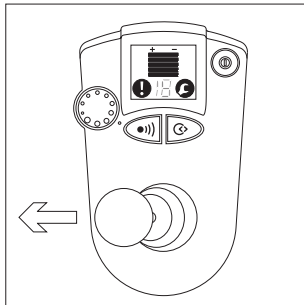
The wheelchair drives straight backwards.



The wheelchair curves left driving forward.
(The curve's radius depends on the joystick's movement).



The wheelchair curves to the right driving backwards. (The curve's radius depends on the joystick's movement).



The wheelchair turns to the left on the spot.

The middle position of the joystick remains without function, i.e. the wheels do not move and are blocked by the built-in brakes. However, on slopes of more than 10 % you have to tighten additional brakes that must be mounted to the frame of the wheelchair.

The joystick functions in a way like the gas pedal of a car. Between its original position (everything is at a standstill) and one when it is fully pushed e.g. forward (maximum speed) you can vary the speed.



Please refer to Chapter 6 and 7 when undertaking your first driving attempts.

4.4

Adjustments

When the e·fix is mounted at an **alber** plant, the control unit is placed in the position indicated by the wheelchair driver at the time he ordered the e·fix.

Generally this position is on the same height as the armrest and cannot be moved vertically. By contrast, a horizontal adjustment is easily possible, since the control unit's position depends on the length of the driver's arm.



If it turns out that you would like a different vertical position of the control unit from the one you ordered, please contact your alber representative.

4.5

Swivel arm (available as accessory)

To simplify driving to table edges, we recommend mounting the optional swivel arm [12]. The swivel arm allows the control unit to be swung out from its original position.

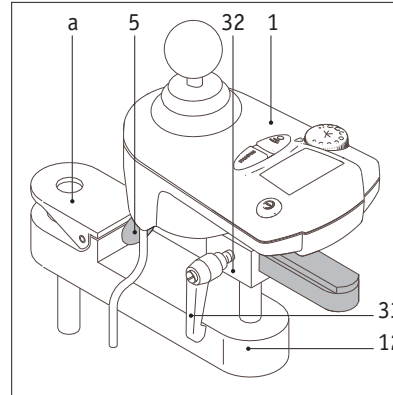
- Press the cap [a] and swing the control unit [1] out to the side.
- To return, swing the control unit [1] back into the initial position; the cap [a] moves upwards and automatically locks the swivel mechanism.
- If the swivel arm and the control unit require removing for e.g. transporting, they can be completely removed from the mount [11].
- The control unit can be longitudinally offset a little more if necessary in the offsetting component [32] itself by releasing the clamping lever [33].
- After adjusting to the optimum position, secure by tightening the clamping lever [33] on the offsetting component [32].

4.5.1

Removing the control unit from the swivel arm

- Swivel the control unit to one side.

- Withdraw the plug [5] from the control unit [1].
- Release the clamping lever [33] and slide the control unit [1] out of the offsetting component [32].



4.5.2

Mounting the control unit on the swivel arm

- Slide the control unit [1] into the offsetting component [32] and secure it with the clamping lever [33].
- Swivel the control unit to one side.
- Insert the plug [5] into the control unit [1].



The swivel arm can be attached to virtually all wheelchair models. Contact your specialist dealer or representative for further details.

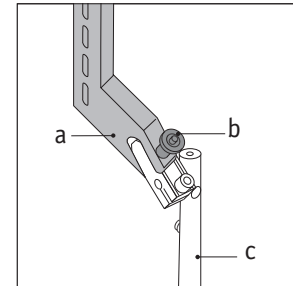
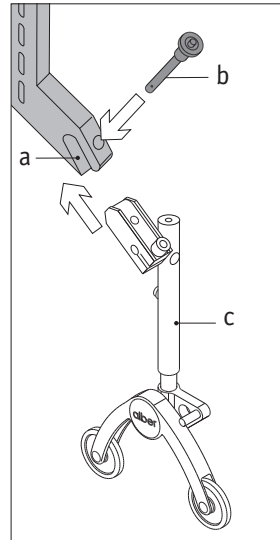
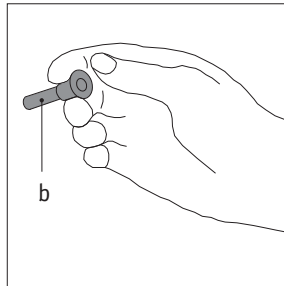
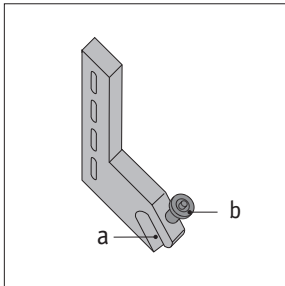
5

Tilt Support

(available as optional accessory)

Since most wheelchairs come with tilt support, the **alber** tilt support is available only as an optional accessory. If we deliver the e·fix with tilt support, the latter is already adjusted to your wheelchair.

- First remove the quick pins [b] from the holding device [a] by pressing your thumb on the center of the pin while lifting it out with your middle and index finger.
- Insert the tilt support [c] into the holding device [a]. (The tilt support for the left side is marked with an "L," for the right with an "R".)



- Secure the tilt support in the holding device [a] with the quick pins [b]. Press the locking mechanism in the center of the locking pin and push the pin entirely into the holding device.
- Check whether the quick pins [b] securely rest in the holding device [a]. You are not supposed to be able to remove them without pressing the locking mechanism in their center.
- To remove the tilt support, work your way back step by step.

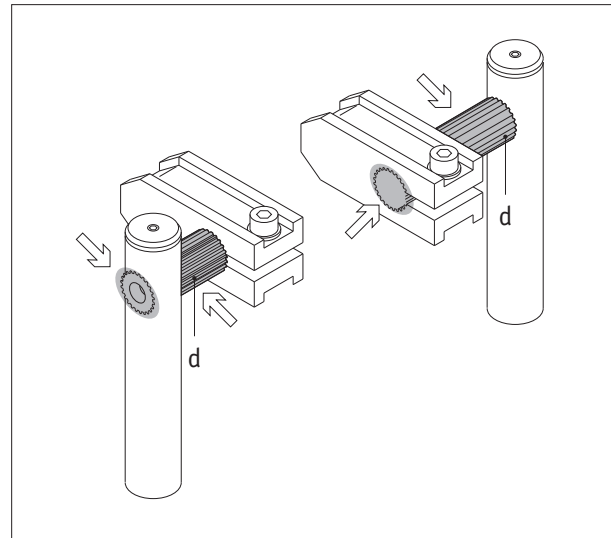
The CE conformity for the e-fix is only valid in combination with the tilt support. In addition, the following points have to be taken into consideration:

- Assembly and repairs as well as any other work done on the e-fix must be carried out by Ulrich Alber GmbH + Co. KG or any other personnel authorized by **alber**.
- The lower part of the tilt support must be attached high enough so that their wheels can rotate freely when the wheelchair is on a horizontal level.
- The user must pay particular attention to the following:
 - a) The tilt support must be unobstructed.
 - b) Please be extra careful when driving over obstacles higher than 40 mm and narrower than the sidewalk's curb.
 - c) The critical height of obstacles must be tested individually for each wheelchair equipped with the e-fix by his/her driver.
 - d) The point at which a certain wheelchair equipped with the e-fix tilts backwards at its back axle must also be tested by its user. The critical limit is reached at the point where the tilted wheelchair falls backwards.



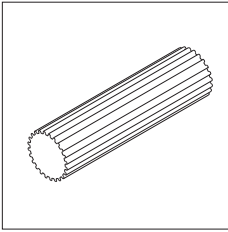
Important safety note

Due to blows or impact caused, for example, by unintentionally setting down on too high kerbs, particularly the toothed sections [d] in the tilt supports may be subject to above average loading. Consequently the condition of the teeth (see illustration for the precise position) should be checked at least once a week.

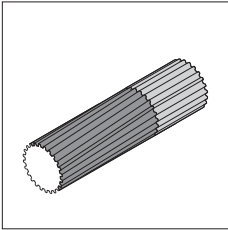


Driving the e-fix without attached tilt support is not safe, thus not admissible.

Condition of toothed section



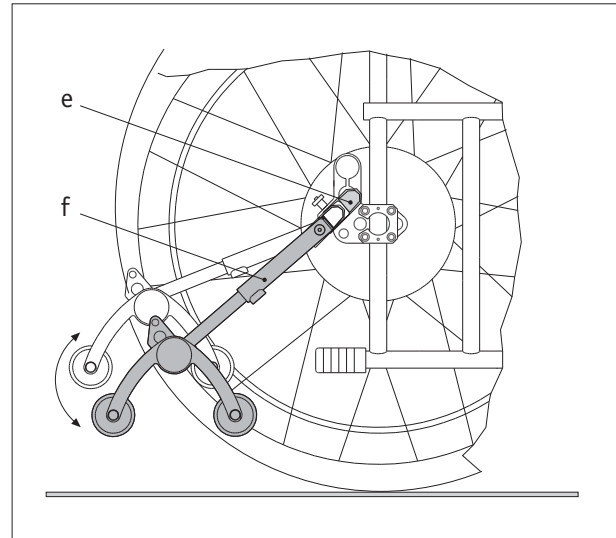
Undamaged teeth:
tilt supports can continue to be used.



Teeth twisted:
replace tilt supports immediately!

Swivel the tilt supports as shown:

- Toothed section [d] sits tight within the holder [e] and the adjusting tube [f] and cannot be twisted: tilt supports can continue to be used.
- Toothed section [d] can be twisted within the holder [e] or the adjusting tube [f]: teeth are twisted – replace tilt supports immediately!



6

Operation

6.1

Safety of the Driver

Safety and comfort of the driver are the first priority. It is, therefore, indispensable to get to know your e·fix and its driving quality thoroughly. Your **alber** representative assists you with a free of charge training session when you use the e·fix for the first time. He helps you until you feel secure using your e·fix.

6.2

Driving

The first few attempts to use the e·fix should not take place in a confined space, since the driver is not used to the device and thus likely to collide with furniture and such. Therefore, you should first practice driving the e·fix outside, e.g. on a parking lot.

- Turn the e·fix on at its lowest speed (see chapter 4.2) and get a feeling for its driving quality.
- Give yourself small driving tasks and practice them at your own leisure.
- To use the e·fix successfully comes with practice
- Practice results in competence. You will soon become

more confident moving the joystick thus driving in a more precise manner.

- Increase the speed slowly. We advise you always to choose a low speed level when driving inside.

6.3

Further Suggestions to Drive with the e·fix

- When you start driving, never push the joystick all the way forward. There is the potential danger of an accident, especially if the pre-selected speed is set at maximum speed. In such case the wheelchair may make movements the driver cannot control anymore.
- Move the joystick gently and smoothly. Do not jerk the joystick.
- Make sure you do not make strong, jerky movements of the joystick, particularly in potentially dangerous situations when you want to avoid an obstacle. Instead, brake the e·fix until you come to a standstill.
- If you let go of the joystick, your wheelchair comes to a gentle standstill. In case you need to come to an immediate standstill, move the joystick briefly opposite the driving direction and let go abruptly.
- Always brake the e·fix with the joystick; never touch the grip rings of the wheelchair's wheels.

- Never drive parallel to steep slopes. The center of gravity may change inadvertently, which may result in the wheelchair's tilting sideways.
- Counter-steer as necessary when you are driving along sloping curbs etc.
- Always drive over small obstacles such as curbs in a 90 degree angle; in other words, both wheels drive over the obstacle at the same time. Go at a low speed over the obstacle.
- Check regularly the right-angled alignment of the front wheels to the ground. Also check regularly the wheels' air pressure. Both influence the driving quality and the range of the e-fix.
- Never drive the e-fix without tilt support. Remove the latter only when you drive over a bigger obstacle. In such case you need a person accompanying you, since there is an increased danger for the wheelchair to tip over.
- Driving on public roads is subject to Motor Vehicle Regulations. Your wheelchair must be equipped with the obligatory additional devices determined by the regulations of your country.



Please note that the driving quality and the brake reaction is also influenced by the two front wheels. Therefore, please make sure that there is the same air pressure in both tyres and that their axles are aligned in a 90 degree angle to the ground.

6.4

Dangerous ground and dangerous situations

Taking into account his driving skills and physical abilities, the e-fix driver decides for himself which routes he will travel.

Prior to setting off he must check the e-fix for worn or damaged tyres, as well as the state of charge of the batteries and the proper functioning of the direction indicators. These safety checks, as well as the requisite personal driving skills, are particularly important near the following dangerous ground, which should only be tackled at the discretion of the e-fix driver:

- Quay walls, landing and berthing points, paths and places close to water, unsecured bridges and dikes
- Narrow paths, sloping ground (e.g. ramps and driveways), narrow paths beside inclines, mountain routes
- Narrow and / or sloping paths close to main arterial roads or close to chasms
- Leaf- and snow-covered or icy driving routes
- Ramps and lifting equipment on vehicles.



Slopes with a maximum gradient of 18 % can be driven on with the e-fix without the assistance of an escorting person. However, **important prerequisites are faultless tyre treads, correct tyre air pressure, a completely safe terrain and a maximum load of 120 kg.**

Slopes with a maximum gradient in excess of 18 % must only be driven on with the e-fix with the assistance of an escorting person. Here too essential prerequisites are faultless tyre treads, correct air pressure in all tyres, a completely safe terrain and a maximum load of 120 kg.

An escorting person is also necessary for crossing

- **kerbs with a gradient in excess of 15 %**
- **obstructions of all kinds on sloping ground as there is a greater risk of tipping over in these cases.**

Particular care should always be taken when crossing main arterial roads, cross roads and level crossings. Never cross rail tracks in the road or at level crossings by driving in parallel to them as the wheels could get wedged in. If possible always ask some person to escort you who can push you over the road or level crossing in the event that you get stuck (e.g. due to the batteries being empty).

Great care should be taken in driving on ramps attached to vehicles. During the lifting or lowering procedure

the e·fix must be switched off. The hand brakes on the wheelchair must also be engaged. This prevents the e·fix rolling away, e.g. through unintentionally issued driving commands; and if required, an escorting person should be asked to stand by.

When it is wet the tyres have less grip on the road surface; there is a greater risk of slipping. Please adjust your driving style accordingly.

7 Driving

7.1 Driving With Manual Wheelchair Wheels

In chapter 2 you learned how to mount the e·fix wheels to and remove them from your wheelchair. So you have the choice to use the conventional wheels that are manually used or the electrically powered e·fix wheels.

7.2 Driving with e·fix Wheels, Manual Operation

The e·fix wheels can be used manually like conventional wheels or in the power mode (Change the mode only at a standstill).

- Turn the coupling plate [15] of the e·fix wheel counter clockwise to position "0" – the mechanical gear mechanism is disengaged.
- To switch the wheel back into the power mode, turn the coupling plate [15] back to position "I."

7.3

Driving with e·fix wheels, electrically powered operation

To drive in the power mode, you first need to engage the gearing in the wheels.

- Turn the coupling plate [15] of the wheel to position "I."
- Move the wheelchair by means of the hand-rim on the wheels slowly forward or backward a bit, until the wheels fully lock. You will hear the wheels click. Also you cannot move the wheels manually anymore, once the gearing of the wheels is engaged.
- Operate the e·fix as described in chapter 4.2 and following.

In case you attempt to use the e·fix while the gearing of the wheels is disengaged, the display will show a warning signal. The e·fix will simply not work; see chapter 9.1.



When driving the wheelchair manually, make sure that the locking brakes [14] are adjusted to the wheels. alber adjusts them to the e·fix wheels.

7.4

Range

e·fix drivers are usually interested in how far they can drive with the system. The general statement can be made that the range of the e·fix with the standard batteries (12Ah) lies at approximately 15 km, those with the batteries of 17 Ah at about 22 km.

However, this data refers to ideal conditions. Topographical circumstances, ground, temperature, weight of the wheelchair and the driver, the structure of the wheelchair frame and the air pressure of the front wheels will result in variations.

7.5

Transportation

Contrary to other electrically powered wheel-chairs, you may still fold your wheelchair with the e·fix attached, i.e. you can transport it as easily as any manual wheelchair with no additional space required.

- Remove the control unit from the wheelchair (see chapter 4.1.1).
- Remove the batteries (see chapter 3.1.2).
- Remove the wheels (see chapter 2.2).
- Fold your wheelchair and store it together with all its components.
- After transportation, reassemble your wheelchair by following these instructions in reversed order.

8

Care and Maintenance

8.1

Cleaning

Control unit, wheels and battery may be cleaned with a damp (not wet) cloth rag. Use regular household cleaners in water diluted, never petroleum ether or the like. Do not rinse the wheels with a water hose.



Ensure that liquids are prevented from entering the interface. The sliding window should only be opened when charging the batteries and/or changing fuses. It should otherwise be kept closed at all times.

8.2

Maintenance

If you use your e·fix in a standard, ordinary fashion, it is low in maintenance. However, you should check regularly whether all mounted parts are securely attached and sit in their supposed position.

In the interest of your safety there should be a maintenance check every two years, even if your e·fix shows no damage or malfunction whatsoever. Please contact your dealer or any **alber** representative concerning maintenance.

8.3

Recycling

e·fix and its optional accessories are durable products. At the end of their lifetime **alber** or one of the **alber** representatives take the device plus accessories back to recycle it appropriately.

9

Quick assistance when not functioning correctly

Various error codes are indicated in the display when system errors occur, most of which are due to operating errors. In case of a short-term fault, it may be necessary to replace a fuse.

Serious faults which result in complete failure of the e·fix, must be repaired in the factory. In such cases, please contact your specialist dealer.

9.1

Error messages in the display

Code	Signal tone	Cause	Help
4 (! lights up)	Continuous tone	Communication wheel - left	- Insert left wheel correctly in the wheel receiver - 25 A fuse defect - left wheel defect
5 (! lights up)	Continuous tone	Communication wheel - right	- Insert right wheel correctly in the wheel receiver - Right wheel defect
7 (! lights up)	Continuous tone	Battery voltage	Charge battery
14 (! flashes)	Intermittent tone	Coupling at left wheel not engaged	Engage left wheel
15 (! flashes)	Intermittent tone	Coupling at right wheel not engaged	Engage right wheel
16 (! flashes)	Intermittent tone	Left wheel overheated	Allow left wheel to cool down (Observe operating temperature)
16 (! lights up)	Continuous tone	Left wheel exceeds operating temperature	Observe operating temperature, reduce wheel to operating temperature
17 (! flashes)	Intermittent tone	Right wheel overheated	Allow right wheel to cool down (Observe operating temperature)
17 (! lights up)	Continuous tone	Right wheel exceeds operating temperature	Observe operating temperature, reduce wheel to operating temperature
18 (! lights up)	Continuous tone	Left wheel overloaded	Switch system off and on again
19 (! lights up)	Continuous tone	Right wheel overloaded	Switch system off and on again

If an error cannot be eliminated by following the above and/or another error code is displayed, please contact your specialist dealer.

9.2

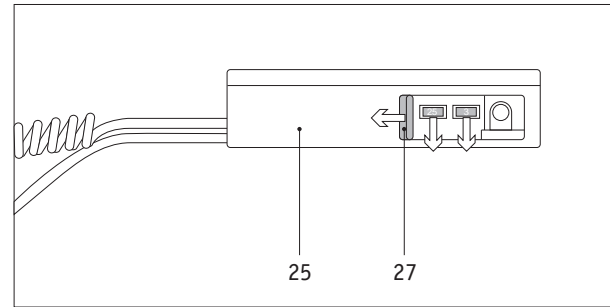
Changing the battery's fuse

If excessive strain is put on some of the e·fix components, in rare cases you may have to change the fuses of the batteries which do not require moving from the wheel chair for this purpose.

- For safety reasons, remove the interface from the batteries (see Chapter 3.1.2)
- Open the sliding window [27] on the interface [25]
- Remove the defect fuse (25 A or 3 A) from the mount.
- Insert a new fuse in the mount.
- Close the sliding window [27].
- Connect the interface again to the batteries (see chapter 3.1.1).
- Re-start the e·fix.



Fuses react extremely sensitively to electrical faults. If you have to change a fuse several times, this could mean that an e·fix component is faulty. In this case, please contact your specialist dealer.



10

Control unit for attendants

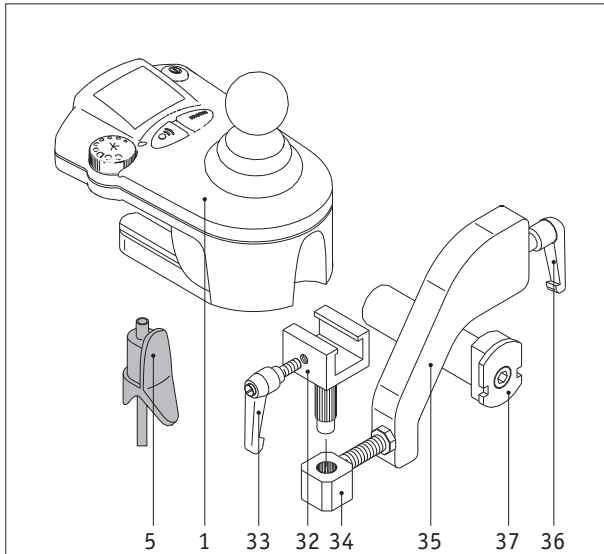
(as optional accessory)

e·fix can be operated by both the wheelchair driver or his/her attendant. Simply move the control unit from its regular location at the armrest of the wheelchair to the control panel which is not part of the standard scope of delivery but can be subsequently attached when required.

- If the e·fix is ready for operation, deactivate the system by pressing the On/Off switch on the control unit (see Chapter 4.2.1).
- Withdraw the plug [5] from the control unit (see also Chapter 4.1.1)
- Withdraw the control unit from the offsetting component [32] (see also Chapter 4.1.1)

- Slide the control unit [1] into the offsetting component [32] and secure it with the clamping lever [33].
- Insert the plug [5] into the control unit.
- Insert the assembled unit into the mounting [34].
- Finally, slide the angle mounting [35] onto the securing feature [37] on the wheelchair.
- Secure the angle mounting [35] with the clamping lever [36].

Dismantle the control unit in reverse order if it is to be used again directly by the wheelchair occupant. You can decide which of the individual components [32 - 36] should remain affixed to the wheelchair for use when the necessity arises.



Warranty and Liability

11.1

Warranty

The time of warranty for the e·fix amounts to 24 months (6 months for the batteries) from the date of purchase, and covers faulty material and processing defects.

The warranty does not include:

- natural wear and tear
- damage caused by improper use
- forced damage
- unauthorized changes made on the device and/or its accessories

11.2

Liability

Neither Ulrich Alber GmbH + Co. KG nor its agents or authorized dealers and sales representatives will be liable for the safety, reliability or performance of the e·fix or for any claims for personal injury or property damage which may arise from the following:

- The e·fix was driven without tilt support.
- The e·fix was handled and used inappropriately.
- The e·fix was used other than in accordance with all instructions and precautions included in the operator's manual and on the product labeling.
- The e·fix was not checked every two years by an authorized dealer or Ulrich Alber GmbH + Co. KG.
- Assembly, repairs and other work was done by unauthorized personnel.
- Parts or accessories other than those recommended by the manufacturer of the e·fix were used.
- Parts of the e·fix were changed or removed entirely.

12 Index

A		E	
Adjustments	22	Error messages in the display	33
Adjustment wheel for selecting speed	17	F	
B		Further suggestions to drive with the e-fix	27
Batteries	8	G	
Bag for the batteries	8	General information on the batteries	13
Bow-type handle	6	H	
C		Horn	17
Changing the battery's fuse	34	I	
Charging the batteries	10	Indoor/Outdoor button	18
Cleaning	32	Installing the control unit	15
Condition of toothed section	26	Inserting the batteries	8
Control unit	14	J	
Coupling plate	6	Joystick	20
D		L	
Dangerous ground/situations	29	Liability	36
Displays	16	M	
Driving	30	Maintenance	32
Driving with manually operated wheelchair wheels	30	Mounting the wheels	6
Driving with e·fix wheels	30		
Driving with e·fix wheels electrically powered operation	31		

0			
On/Off Switch	16	Tilt support – important safety note	25
Operation	27	Torque socket	6
		Transportation	31
P		W	
Performance	20	Warranty	36
Programming possibilities	19	Wheels	6
Push buttons and displays	16		
R			
Range	31		
Recycling	32		
Removing the batteries	9		
Removing the control unit	14		
Removing the wheels	7		
S			
Safety instructions	3		
Safety of the driver	27		
Speed	17		
Standard delivery package	4		
Stub axle	6		
Swivel arm	23		
T			
Technical data	5		
Tilt support	24		

20.0001.4.01.03

Ulrich Alber GmbH + Co. KG
Vor dem Weißen Stein 21
72461 Albstadt-Tailfingen

Telefon (07432) 2006-0
Telefax (07432) 2006-299
www.ulrich-alber.de

