



## KÜSCHALL ULTRA-LIGHT

en	<b>Active wheelchair</b>	
	User Manual .....	4
es	<b>Silla de ruedas activa</b>	
	Manual del usuario .....	60
pt	<b>Cadeira de rodas ativa</b>	
	Manual de utilização .....	122



This manual **MUST** be given to the user of the product.  
**BEFORE** using this product, read this manual and save for future reference.

©2018 Invacare Corporation

All rights reserved. Republication, duplication or modification in whole or in part is prohibited without prior written permission from Invacare. Trademarks are identified by ™ and ®. All trademarks are owned by or licensed to Invacare Corporation or its subsidiaries unless otherwise noted.

—

Todos los derechos reservados. Prohibida la reedición, copia o modificación total o parcial sin previa autorización por escrito de Invacare. Las marcas comerciales se identifican con ™ y ®. Todas las marcas comerciales son propiedad de Invacare Corporation o de sus filiales, o bien Kuschall AG o sus filiales cuentan con las correspondientes licencias, a menos que se estipule lo contrario.

—

Todos os direitos reservados. A republicação, duplicação ou modificação total ou parcial estão interditas sem a autorização prévia por escrito da Invacare. As marcas comerciais são identificadas pelos símbolos ™ e ®. Todas as marcas comerciais são propriedade da ou estão licenciadas à Invacare Corporation ou às suas subsidiárias, excepto quando apresentada informação em contrário.

# CONTENTS

This manual MUST be given to the user of the product.  
BEFORE using this product, read this manual and save for  
future reference.

<b>1</b>	<b>General</b>	<b>5</b>
1.1	Introduction	5
1.2	Symbols in this manual	5
1.3	Warranty information	6
1.4	Compliance	6
1.4.1	Product-specific standards	6
1.5	Intended use	6
1.6	Service life	6
1.7	Copyright protection	6
1.8	Limitation of liability	6
<b>2</b>	<b>Safety</b>	<b>8</b>
2.1	Safety information	8
2.2	Safety devices	9
2.3	Labels and symbols on the product	9
<b>3</b>	<b>Components and their functions</b>	<b>11</b>
3.1	Overview	11
3.2	Parking brakes	12
3.3	Backrest	14
3.4	Foldable back (optional)	14
3.5	Push handles	15
3.6	Stabilizing bar for the back	16
3.7	Siderest in the frame colour, height adjustable, foldable	16
3.8	Siderest with locking mechanism, height adjustable, flip-back	17
3.9	Side rest, stepless height adjustable, non-locking	17
3.10	Simple armrest, height-adjustable, swivelling, non-locking	18
3.11	Küschall armrest	19
3.12	Mudguard	20
3.13	Antitipper	21
3.14	Tires	22
3.15	Seat cushion	22
3.16	Calf strap / Heel loop	23
<b>4</b>	<b>Accessories</b>	<b>24</b>
4.1	Posture belt	24
4.2	Tipper aid	25
4.3	Air pump	26
4.4	Passive illumination	26
4.5	Cane holder	26
4.6	Transit wheels	26
4.7	Luggage carrier	27
<b>5</b>	<b>Setup</b>	<b>29</b>
5.1	Safety information	29
<b>6</b>	<b>Using the wheelchair</b>	<b>30</b>
6.1	Safety information	30
6.2	Braking during use	30
6.3	Getting in and out of the wheelchair	31
6.4	Driving and steering the wheelchair	33
6.5	Negotiating steps and kerbs	34
6.6	Going up and down stairs	36
6.7	Negotiating ramps and slopes	37
6.8	Stability and balance when seated	39
<b>7</b>	<b>Transport</b>	<b>40</b>
7.1	Safety information	40
7.2	Folding and unfolding the wheelchair	40

7.3	Removing and installing the rear wheels . . . . .	41
7.4	Transporting the occupied wheelchair in a vehicle. . . . .	42
<b>8</b>	<b>Maintenance . . . . .</b>	<b>48</b>
8.1	Safety information . . . . .	48
8.2	Maintenance Schedule . . . . .	48
8.3	Cleaning . . . . .	50
8.4	Disinfection. . . . .	51
<b>9</b>	<b>After Use . . . . .</b>	<b>52</b>
9.1	Storage . . . . .	52
9.2	Re-use. . . . .	52
9.3	Disposal information. . . . .	52
<b>10</b>	<b>Troubleshooting . . . . .</b>	<b>53</b>
10.1	Safety information . . . . .	53
10.2	Identifying and repairing faults. . . . .	54
<b>11</b>	<b>Technical Data . . . . .</b>	<b>56</b>
11.1	Dimensions and weight . . . . .	56
11.2	Environmental conditions . . . . .	57
11.3	Materials . . . . .	57

# 1 GENERAL

## 1.1 Introduction

This user manual contains important information about the handling of the product. To ensure safety when using the product, read the user manual carefully and follow the safety instructions.

Note that there may be sections in this document, which are not relevant to your product, since this document applies to all available models (on the date of printing). If not otherwise stated, each section in this document refers to all models of the product.

The models and configurations available in your country can be found in the country-specific price lists.

Invacare reserves the right to alter product specifications without further notice.

Before reading this document, make sure you have the latest version. You find the latest version as a PDF on the Invacare website.

If you find that the font size in the printed document is difficult to read, you can download the PDF version from the website. The PDF can then be scaled on screen to a font size that is more comfortable for you.

For more information about the product, for example product safety notices and product recalls, contact your Invacare representative. See addresses at the end of this document.

## 1.2 Symbols in this manual

Symbols and signal words are used in this manual and apply to hazards or unsafe practices which could result in personal injury or property damage. See the information below for definitions of the signal words.



### WARNING

Indicates a hazardous situation that could result in serious injury or death if it is not avoided.



### CAUTION

Indicates a hazardous situation that could result in minor or slight injury if it is not avoided.



### IMPORTANT

Indicates a hazardous situation that could result in damage to property if it is not avoided.



### Tips and Recommendations

Gives useful tips, recommendations and information for efficient, trouble-free use.



This product complies with Directive 93/42/EEC concerning medical devices. The launch date of this product is stated in the CE declaration of conformity.



Manufacturer of the product.

### 1.3 Warranty information

We provide a manufacturer's warranty for the product in accordance with our General Terms and Conditions of Business in the respective countries.

Warranty claims can only be made through the provider from whom the product was obtained.

### 1.4 Compliance

Quality is fundamental to the company's operation, working within the disciplines of ISO 13485.

This product features the CE mark, in compliance with the Medical Device Directive 93/42/EEC Class 1.

We are continuously working towards ensuring that the company's impact on the environment, locally and globally, is reduced to a minimum.

We only use REACH compliant materials and components.

#### 1.4.1 Product-specific standards

The wheelchair has been tested in accordance with EN 12183. It includes a test for flammability.

For further information about local standards and regulations, contact your local Invacare representative. See addresses at the end of this document.

### 1.5 Intended use

This Active Wheelchair is intended to provide mobility to persons limited to a sitting position.

### Indications

Disabled persons ages 12 and up (adolescents and adults) with mobility difficulties and a restriction to a sitting position.

### Contraindications

There are no contraindications.



This active wheelchair needs to be prescribed and fit to your specific health condition.

### 1.6 Service life

The expected service life is five years, presuming that the product is used daily and in accordance with safety instructions, maintenance instructions and intended use, stated in this manual.

### 1.7 Copyright protection

This User Manual is protected by copyright. It may not be reprinted or copied or transferred to third parties in part or in full without the prior written consent of the manufacturer.

### 1.8 Limitation of liability

Invacare accepts no liability for damage arising from:

- Non-compliance with the user manual
- Incorrect use
- Natural wear and tear
- Incorrect assembly or set-up by the purchaser or a third party
- Technical modifications

- Unauthorised modifications and/or use of unsuitable spare parts

## 2 SAFETY

### 2.1 Safety information

This section contains important safety information for the protection of the wheelchair user and assistant and for safe, trouble-free use of the wheelchair.



#### **WARNING!**

##### **Risk of accidents and serious injury**

Accidents with resulting serious injury can occur if the wheelchair is improperly adjusted.

- Wheelchair adjustments must always be carried out by a specialist dealer.



#### **WARNING!**

##### **Risk due to driving style being unsuitable for the conditions**

There is a risk of skidding on wet ground, gravel or uneven terrain.

- Always adjust your speed and driving style to the conditions (weather, surface, individual ability, etc.).



#### **WARNING!**

##### **Risk of injury**

In a collision you could sustain injury to parts of your body that extend beyond the wheelchair (e.g. feet or hands).

- Avoid an unbraked collision.
- Never drive into an object head-on.
- Drive carefully through narrow passages.



#### **WARNING!**

##### **Risk due to wheelchair being out of control**

At high speed you could lose control of your wheelchair and overturn.

- Never exceed a speed of 7 km/h.
- Avoid collisions in general.



#### **CAUTION!**

##### **Risk of burning**

The wheelchair components can heat up when exposed to external sources of heat.

- Do not expose the wheelchair to strong sunlight before use.
- Before usage, check all components that come into contact with your skin for their temperature.



#### **CAUTION!**

##### **Risk of getting fingers caught**

There is always a risk of getting, e.g. fingers or arms, caught in the moving parts of the wheelchair.

- Make sure when activating the folding or insertion mechanisms of moving parts, such as the removable axle of the rear wheel, folding backrest or antitipper, that nothing becomes caught.



## 2.2 Safety devices



### WARNING! Risk of accidents

Safety devices that are incorrectly set or no longer working (brakes, antitipper) can cause accidents.

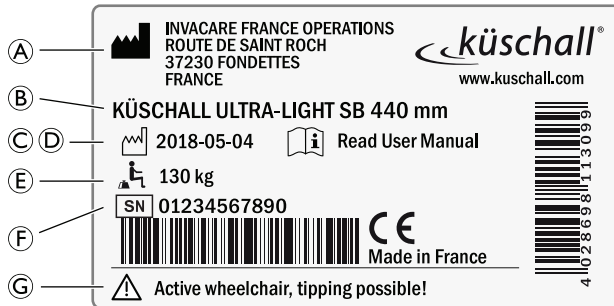
- Always check that the safety devices are working before you use the wheelchair and have them checked regularly by the specialist dealer.

The functions of the safety devices are described in chapter 3 *Components and their functions*, page 11.

## 2.3 Labels and symbols on the product

### Identification label

The identification label is attached to the frame of your wheelchair and gives the following information:



Ⓐ	Manufacturer's address
Ⓑ	Product description
Ⓒ	Date of manufacture
Ⓓ	Instruction to read the User Manual
Ⓔ	Maximum user weight
Ⓕ	Serial number
Ⓖ	Warning that this is an active wheelchair and tipping is possible

### Snap hook symbol



Tie-down positions where the restraint system straps must be placed in case of transporting the occupied wheelchair in a motor vehicle, refer to 7.4 *Transporting the occupied wheelchair in a vehicle*, page 42.


These symbols are only attached to the wheelchair when it is ordered with the transportation kit option.




### WARNING Symbol

This wheelchair is not configured for passenger transport in a motor vehicle.

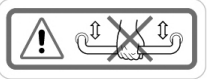
### Antitipper warning label

	<p><b>WARNING: Read user manual</b></p> <p>Follow user manual instructions prior to the usage of an antitipper device.</p>
--	--

### Non-locking side parts warning label

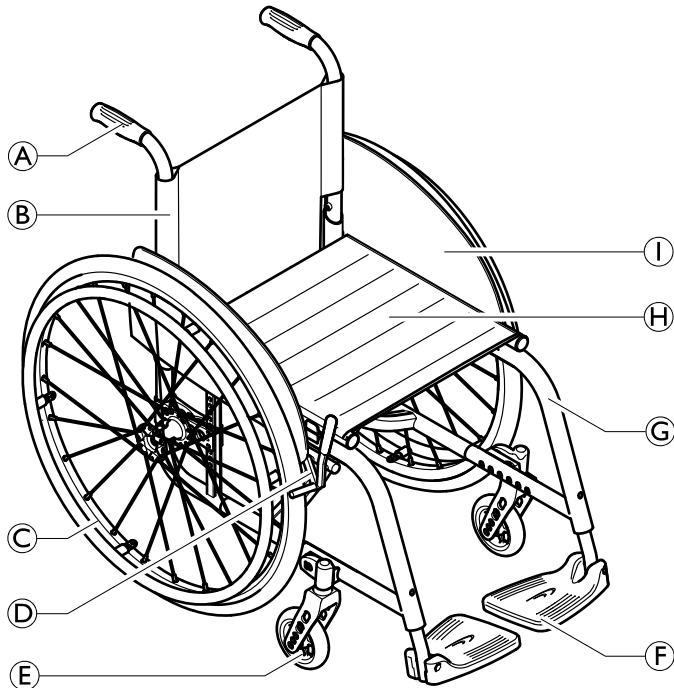
	<p>Do not lift the wheelchair by non-locking side parts.</p>
---	--

### Stabilizing bar warning label

	<p>Do not lift the wheelchair on the stabilizing bar.</p>
---	---

## 3 COMPONENTS AND THEIR FUNCTIONS

### 3.1 Overview



Ⓐ	Push handle
Ⓑ	Back
Ⓒ	Rear wheel with handrim
Ⓓ	Parking brake
Ⓔ	Front wheel fork with front wheel
Ⓕ	Footrest
Ⓖ	Frame
Ⓗ	Seat
Ⓘ	Clothes-guard

#### Short description

The küschall Ultra-Light is a folding active wheelchair with cross struts.

- i** The equipment of your wheelchair may differ from the diagram as each wheelchair is manufactured individually to the specifications in the order.

## 3.2 Parking brakes

The parking brakes are used to immobilise the wheelchair when it is stationary to prevent it from rolling away.



### **WARNING!**

#### **Risk of overturning if you brake sharply**

If you engage the parking brakes while you are moving, the direction of movement can become uncontrollable and the wheelchair may stop suddenly, which can lead to a collision or to you falling out.

- Never engage the parking brakes while you are moving.



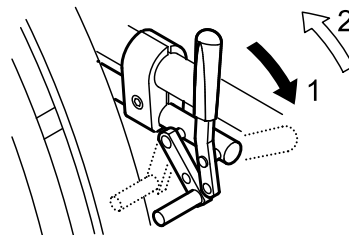
### **WARNING!**

#### **Risk of overturning**

The parking brakes will not operate correctly unless there is sufficient air in the tires.

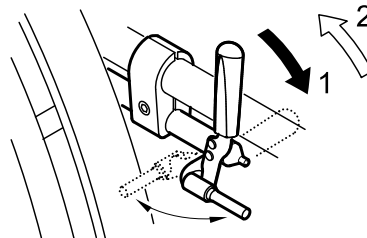
- Ensure the correct tire pressure, *3.14 Tires*, page 22.

### **Standard brake**



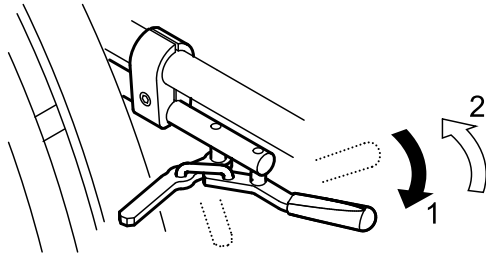
1. To engage the brake, push the brake lever forwards as far as possible.
2. To disengage the brake, pull the brake lever backwards.

### **Performance brake**



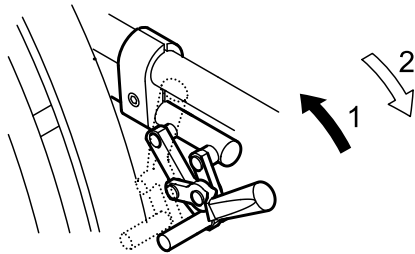
1. To engage the brake, push the brake lever forwards as far as possible.
2. To disengage the brake, pull the brake lever backwards.

## Active brake



1. To engage the brake, pull the brake lever forwards beside or between your knees as far as possible.
2. To disengage the brake, push the brake lever backwards beside or between your knees.

## Pull brake

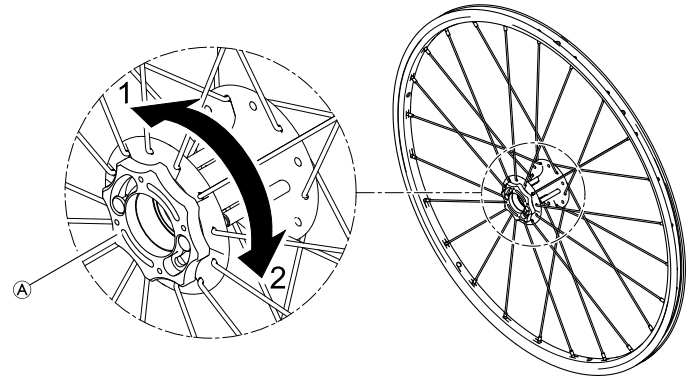


1. To engage the brake, pull the brake lever backwards as far as possible.
2. To disengage the brake, push the brake lever forwards.

1583566-E

## Hub brake (optional)

The hub brake is operated via the brake ring located on the outside of each wheel's hub.



1. To engage the hub brake, turn the brake ring **A** in direction 1 until it stops.
2. To disengage the hub brake, turn the brake ring in direction 2 until it stops.



### WARNING!

#### Risk of overturning if you brake sharply

If you engage the hub brakes while you are moving, the direction of movement can become uncontrollable and the wheelchair may stop suddenly, which can lead to a collision or to you falling out.

- Never engage the hub brake while you are moving.

**WARNING!****Risk of injury due to overturning wheelchair**

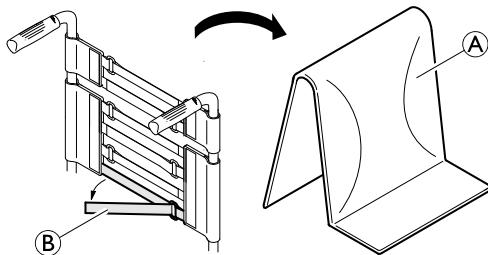
When driving backwards, the wheelchair could overturn due to a snapping in hub brake pin that locks the wheel.

- Contact your specialized dealer immediately, as soon as you hear a rattling noise caused by the hub brake when driving in your wheelchair.
- Avoid driving backwards when you hear such noise until the hub brake is repaired or replaced.

### 3.3 Backrest

**Backrest cover**

You can adjust the tension of the backrest cover as required.

**Adjusting the backrest cover**

1. Remove the backrest cushion (A).
2. Loosen the hook and loop straps (B) on the rear of the backrest cover by simply pulling on them.
3. Tighten or loosen the tapes as required then reattach them.

**WARNING!****Risk of tipping**

If the bands are set very loose, the tipping point of your wheelchair is changed for the worse.

- Ensure that the bands are set correctly.

**Backrest height**

The height of the backrest can be adjusted. The adjustment must be carried out by the specialist dealer.

**Backrest angle**

The angle of the backrest can be adjusted. The adjustment must be carried out by the specialist dealer.

### 3.4 Foldable back (optional)

The back can be folded down and straightened up in both the folded and unfolded state.

**Folding down the back**

1. To fold down the back, grip the strap on the back of the wheelchair and pull it upwards.
2. At the same time, push the upper edge of the back forwards.

**Folding up the back**

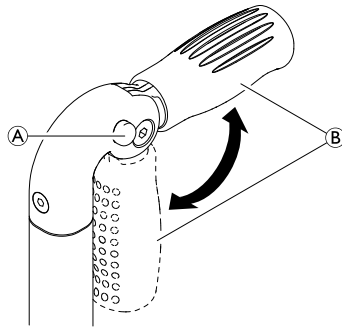
1. To fold up the back, grip the upper edge of the back and fold it upwards.

**!** **IMPORTANT!**

- Do not fold and unfold the wheelchair when the back is folded down.

**3.5 Push handles****!** **IMPORTANT!**

- Always check the push handles before using the wheelchair, as to whether the hand grips are secure, cannot be turned and cannot be pulled off.

**Foldable push handles**

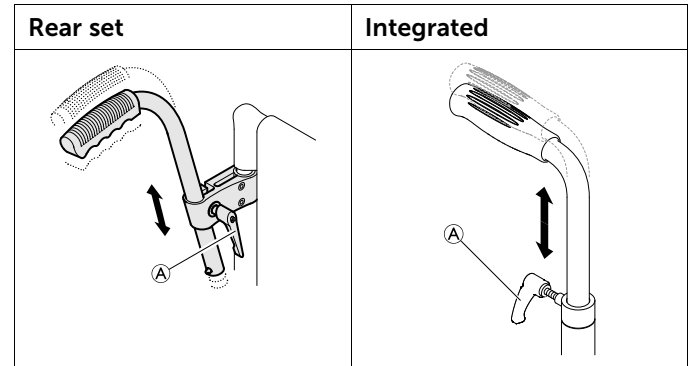
1. Fully depress button **A** and fold up respectively fold down the push handle **B** until it audibly engages.

**CAUTION!**

- If not correctly engaged, the push handle could accidentally fold down while pushing the wheelchair.
- Make sure that the push handle is correctly engaged.

**Height adjustable push handles**

The stepless height adjustable push handles allow any assistant to adjust the handles to a comfortable level.



1. To set the height of the push handles, loosen the bolt **A**, push the handle to the desired position and tighten the bolt again.

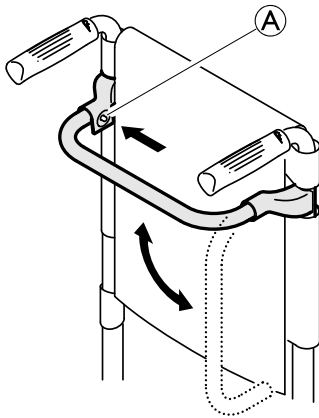
### 3.6 Stabilizing bar for the back

An optional stabilizing bar is available to increase the rigidity of the backrest on wheelchairs with large back heights or widths.

#### ! IMPORTANT!

- Do not use the stabilizing bar to lift or push the wheelchair. It could break.
- Release the stabilizing bar before folding the wheelchair.

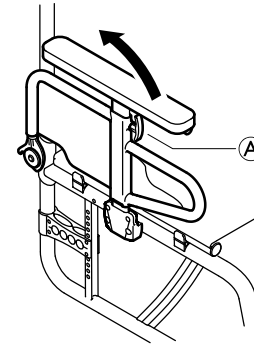
#### Releasing the stabilizing bar



1. Push the spring pin **A** on the fastening on the left-hand side and swivel the stabilizing bar downwards.

The stabilizing bar can also be completely removed, by pushing the spring pins on both sides. The stabilizing bar can then be taken off.

### 3.7 Siderest in the frame colour, height adjustable, foldable



#### Folding

1. Grip the siderest by the cushion or by the front curve and fold it back.

#### Removing

1. Fold the siderest back and pull it up out of the holder on the back.

#### Fitting

1. Insert the siderest from above into the holder on the back.
2. Fold it downwards.



### Adjusting the height

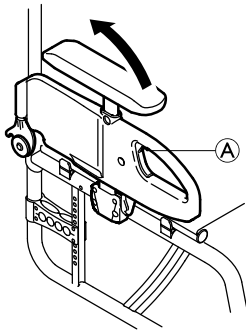
1. Tip the lever **A** on the front of the support and move the armrest upwards or downwards until you reach the desired height.
2. Engage the lever.
3. Perform the setting on both sides.



#### CAUTION!

This siderest does not engage into the wheelchair.  
– Therefore do not hold it in order to lift the wheelchair.

### 3.8 Siderest with locking mechanism, height adjustable, flip-back



#### Folding

1. Push the grey grip **A** and fold the siderest back.

### Removing

1. Fold the siderest back and pull it up out of the holder on the back.

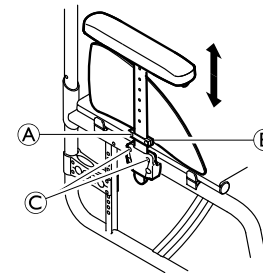
#### Fitting

1. Insert the siderest from above into the holder on the back.
2. Fold it downwards.

#### Adjusting the height

1. Release the bolt in the middle of the seat back using a spanner.
2. Move the armrest upwards or downwards until you reach the desired height.
3. Tighten the screw.
4. Perform the setting on both sides.

### 3.9 Side rest, stepless height adjustable, non-locking





**WARNING!**  
**Risk of injury**

The side rests are not locked and can be easily pulled out upwards.

- Do not lift or transfer the wheelchair using the side rests.
- Do not use the side rests for transportation when carrying the wheelchair up- or downstairs.

**Removing**

1. Pull the side rest by the arm cushion out of the holder.
2. To adjust how easy or difficult it is to pull the side rest out of the holder, change the degree to which the screws © are tightened.

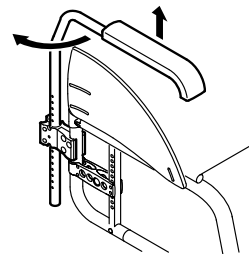
**Fitting**

1. Push the side rest into the holder.

**Adjusting the height**

1. Loosen the screw Ⓐ of the retaining plate Ⓑ.
2. Move the armrest upwards or downwards until you reach the desired height.
3. Tighten the screw Ⓐ.
4. Perform the setting on both sides.

**3.10 Simple armrest, height-adjustable, swivelling, non-locking**



**WARNING!**  
**Risk of injury**

The armrests are not locked and can be easily pulled out upwards.

- Do not lift or transfer the wheelchair using the armrests.
- Do not use the armrests for transportation when carrying the wheelchair up- or downstairs.

**Removing**

1. Raise the armrest and pull it upwards out of the holder.

**Fitting**

1. Push the armrest into the holder.

**Adjusting the height**

1. Pull the armrest out of the holder.
2. Loosen the screw on the tube of the armrest and screw it back in at the desired height.

3. Push the armrest back into the holder.
4. Perform the setting on both sides.

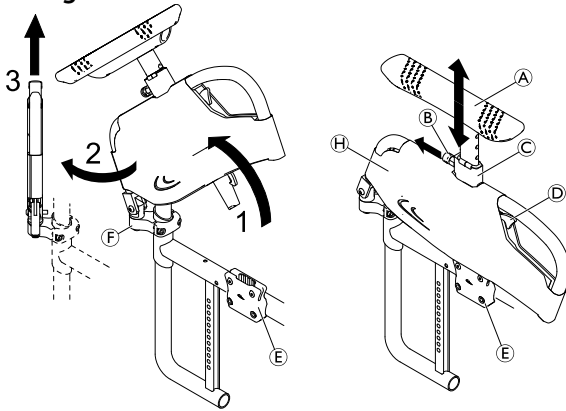
## Swivelling

1. Raise the armrest a little and swivel it outwards.

### 3.11 Küschall armrest

This armrest option is locking in place and can be flipped backwards, swivelled outwards and removed. The T-armrest pad is height adjustable and also locks in place.

#### Removing the armrest



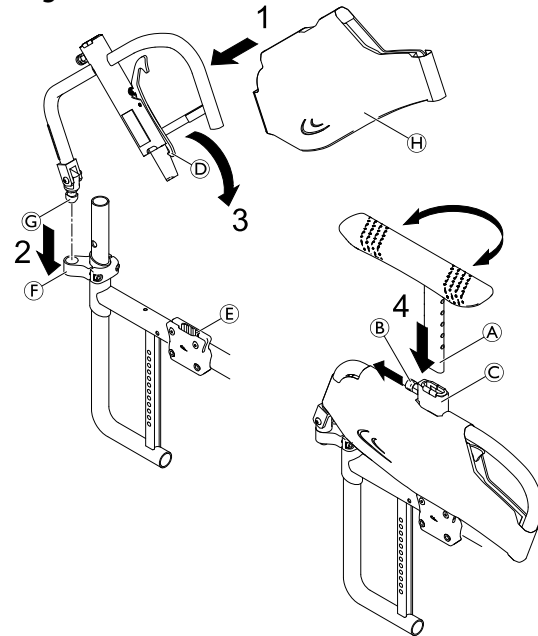
1. Push release lever **D** and swivel the armrest assembly upwards out of the armrest holder **E**.
2. Swivel the armrest assembly 45° outwards.
3. Pull the armrest assembly upwards out of the joint **F**.

#### Removing the cover

The cover can be removed to be machine washed at 30° C.


1. Pull out the spring bolt lock **B**, grab the T-armrest pad **A** and pull it out of the holder **C**.
2. Remove the cover **H** from the armrest assembly by opening the hook and loop fasteners on both sides.

#### Installing the armrest



1. Install the armrest cover **H** to the armrest assembly if not yet attached.
2. Insert joint pin **G** of the armrest assembly into the joint **F** until it engages with an audible "click".

3. Swivel the armrest assembly downwards into the armrest holder ⑤ until the release lever hook ④ engages with an audible “click”.
4. Pull out the spring bolt lock ⑥ and insert the bar of the T-armrest pad ⑦ into the holder ③ to the required height.

 The T-armrest pad can optionally be inserted 180° turned.

5. Release the spring bolt lock and allow the bar of the T-armrest pad to engage with an audible “click” in the nearest hole.

### Adjusting the height

1. Pull out the spring bolt lock ⑥ and move the armrest pad ⑦ to the required height.
2. Release the spring bolt lock and allow it to engage with an audible “click” in the nearest hole.



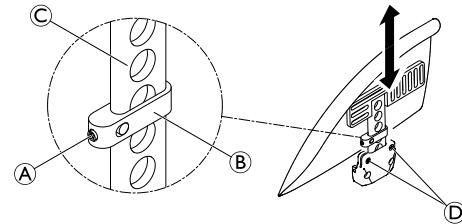
#### **WARNING!** **Risk of injury**

Even if the armrests are locking, they are not designed to carry the weight of the occupied wheelchair.

- Never use the armrests to lift the wheelchair.
- Do not use the armrests for transportation when carrying the wheelchair up- or downstairs.

### 3.12 Mudguard

In order to prevent dirt from the wheels spraying upwards, a removable mudguard can be fitted. The position of the mudguard can be adjusted. The adjustment must be carried out by a specialist dealer.



#### **WARNING!** **Risk of injury**

The mudguards are not locked and can be easily pulled out upwards.

- Do not lift or transfer the wheelchair using the mudguards.
- Do not use the mudguards for transportation when carrying the wheelchair up- or downstairs.

#### Removing

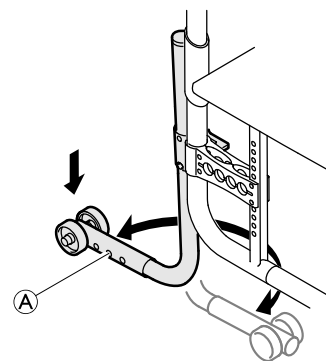
1. Pull the mudguard upwards out of the holder.
2. To adjust how easy or difficult it is to pull the mudguard out of the holder, change the degree to which the screws ⑩ are tightened.

## Installing

1. Push the mudguard into the holder.

## Adjusting the height

1. Slightly loosen the grub screw **A** on the clamping part **B**.
2. Move the clamping part upwards or downwards on the profile **C** to the desired height.
3. Re-tighten the grub screw.
4. Perform the setting on both sides.



## 3.13 Antitipper

An antitipper prevents the wheelchair from tipping backwards.



### **WARNING!** **Risk of overturning**

Antitippers that are incorrectly set or no longer working can lead to overturning.

- Always check that the antitipper is working before using the wheelchair and have it set or readjusted by a specialist dealer when required.



### **WARNING!** **Risk of overturning**

On uneven or soft ground, the antitipper can sink into potholes or directly into the ground, thereby curtailing or eliminating its safety function.

- Only use the antitipper when travelling on even and firm ground.

## Activating the antitipper

1. Push the antitipper completely downwards and swivel it backwards until it engages.



### **WARNING!** **Risk of tipping**

An activated antitipper can catch when negotiating a step or an edge.


- Always deactivate the antitipper before driving over a step or kerb.

## Deactivating the antitipper

1. Push the antitipper completely downwards and swivel it forwards until it engages.

## Setting the height

1. Press the spring pin **A** on the antitipper and push the outer section to the position required. Allow the spring pin to engage in the nearest hole.


 If further adjustments of height and/or position are necessary, refer to your specialist dealer.


### 3.14 Tires


The ideal pressure depends on the tire type:

The table below is an indication. In case the tire differs from the list below, check the side of the tire, the maximum pressure is often listed there.

Tire	Max. pressure		
	bar	kPa	psi
Profile tire	7 bar	700 kPa	101 psi
Schwalbe® Marathon Plus	10 bar	1000 kPa	145 psi
Schwalbe® One	10 bar	1000 kPa	145 psi
Schwalbe® Rightrun	10 bar	1000 kPa	145 psi
Solid tire, profile, grey	-	-	-
Solid tire (KIK type), black	-	-	-
Solid, light wheel	-	-	-

 The compatibility of the tires listed above depends on the configuration and/or model of your wheelchair.

 In case of a tire puncture consult a suitable workshop (e.g. bike repair shop, bicycle dealer ...) to have the tube replaced by a skilled person.

 The size of the tire is mentioned on the sidewall of the tire. The change of appropriate tires must be carried out by a specialist dealer.



#### CAUTION!

– The tires pressure needs to be equal in both wheels to avoid decreased driving comfort, to keep the parking brakes working properly and to ease propelling of the wheelchair.


### 3.15 Seat cushion

A suitable cushion is needed to provide an even pressure distribution on the seat.



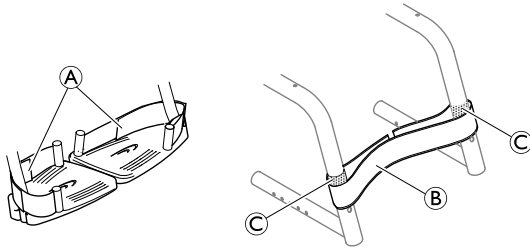
#### CAUTION!

Adding a cushion to the seat will raise your height above the ground and can affect your stability in all directions. If a cushion is changed it may also change the user's stability. If the thickness of the cushion is changed, a complete set up of the wheelchair need to be done by a specialist dealer.

-  Use a seat cushion with anti-slip underlay or hook fastening tapes to avoid slipping of the seat cushion. A loop fastening tape is pre-attached to the seat cover.

### 3.16 Calf strap / Heel loop

A calf strap and/or heel loops can be installed to the leg rests of the wheelchair to provide a better position of the users' legs.



#### Adjusting the heel loops

1. Adjust the heel loops **A** to the desired depth using the hook and loop fasteners.

#### Fixing/adjusting the calf strap

1. Completely unfold the wheelchair.
2. Fix and adjust the calf strap **B** around the hook and loop fasteners **C** on both frame parts.

## 4 ACCESSORIES

### 4.1 Posture belt

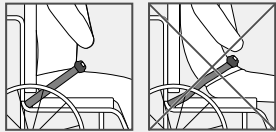
The wheelchair can be equipped with a posture belt. It prevents the user from sliding downward in the wheelchair or from falling out of the wheelchair. The posture belt is not a positioning device.



#### **WARNING!** **Risk of serious injury / strangulation**

A loose belt can allow the user to slip down and create a risk of strangulation.

- The posture belt should be mounted by a qualified technician and fitted by the responsible prescriber.
- Always make sure that the posture belt is tightly fitted across the lower pelvis.
- Each time the posture belt is used, check if it fits properly. Changing the seat and/or backrest angle, the cushion and even your clothes influence the fit of the belt.



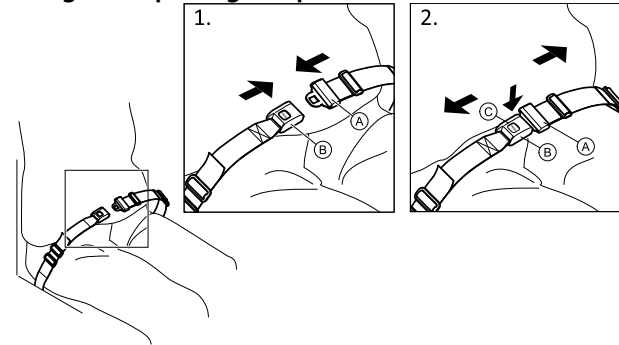
#### **WARNING!**

#### **Risk of serious injury during transport**

In a vehicle, a user in his wheelchair must be secured by a safety belt (3-point belt). A posture belt only is not sufficient as a personal restraint device.

- Use the posture belt as a complement, but not as a substitute to the 3-point safety belt, when transporting the wheelchair user in a vehicle.

#### **Closing and opening the posture belt**




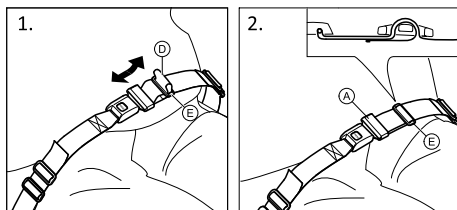
Ensure that you are sitting fully back in the seat and that the pelvis is as upright and symmetrical as possible.

1. To close, push the catch **A** into the buckle clasp **B**.
2. To open, push the PRESS button **C** and pull the catch **A** out of the buckle clasp **B**.



## Adjusting the length

-  The posture belt has the good length, when there's just sufficient space for a flat hand between body and belt.



1. Shorten or extend the loop **D** as required.
2. Thread loop **D** through catch **A** and plastic buckle **E** until the loop is flat.

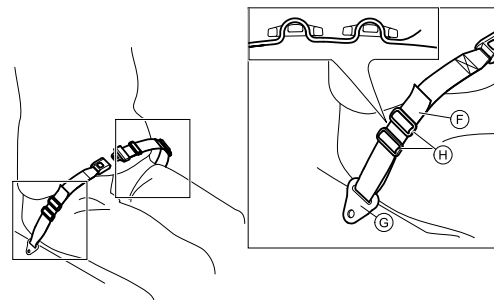
If this adjustment is not sufficient, it might be required to re-fit the posture belt at the fixations.

## Fitting the posture belt at the fixations



### CAUTION!

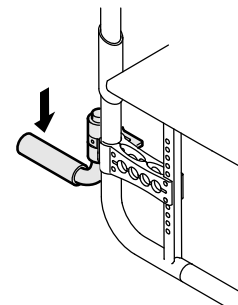
- Thread the belt loop through both plastic buckles to avoid the belt from loosening.
- Do the adjustments on both sides equally, so that the buckle clasp remains in a central position.
- Make sure that the belts do not get caught in the spokes of a rear wheel.



1. Thread the loop **F** through the fixation on the chair **G** and then through BOTH plastic buckles **H**.

## 4.2 Tipper aid

With the tipper aid, an assistant can tip the wheelchair more easily, in order to navigate steps for example.





**WARNING!**  
**Risk of overturning**

- Ensure that the tipper aid does not project beyond the external diameter of the rear wheel.

1. Hold the wheelchair by the push handles.
2. Press the tipper aid with your foot and hold the wheelchair in the tipped position until you have overcome the obstacle.

### 4.3 Air pump

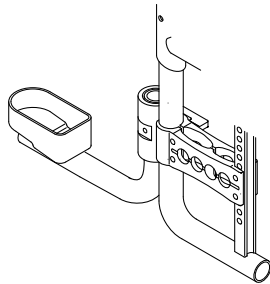
The air pump is fitted with a universal valve connection.

1. Remove the dust cap from the valve connection.
2. Push the valve connection onto the open valve on the wheel and pump the wheel up.

### 4.4 Passive illumination

You can attach reflectors to the rear wheels.

### 4.5 Cane holder



**WARNING!**  
**Risk of overturning**

- Ensure that the cane holder does not project beyond the external diameter of the rear wheel.

1. Place the cane in the holder.
2. Fix the top of the cane to the backrest.

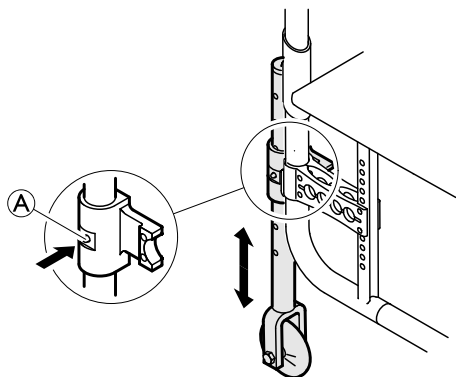
### 4.6 Transit wheels

If your wheelchair is too wide for certain applications, e.g. trains/aeroplanes, narrow passageways, narrow doors, the transit wheels can be used.



**WARNING!**  
**Risk of severe accidents**

- When using transit wheels, the parking brakes no longer have any effect and you cannot control your wheelchair via the handrims.



### Switching to transit wheels

1. Lower the transit wheels into the operating position. To do this, press the pin **A** inwards until you can pull the tube down.
2. Press the second pin in.
3. Pull the tube further downwards until the pin engages into the slot.
4. Move the wheelchair to a stable object (door frame, heavy table), which you can use for support and hold onto it firmly with one hand.
5. Tilt the wheelchair until the rear wheel on the opposite side rises off the floor.



Prior to removing the rear wheels, the distance between the lowered transit wheels and the floor should not be more than 2 cm.

6. Remove the rear wheel, **® 7.3 Removing and installing the rear wheels, page 41.**
7. Repeat the process on the other side.

### Switching from transit wheels to rear wheels

1. Move the wheelchair to a stable object, which you can use for support and hold onto it firmly with one hand.
2. Tilt the wheelchair until the transit wheel on the opposite side rises slightly off the floor.
3. Install the rear wheel back onto the removable axle, **® 7.3 Removing and installing the rear wheels, page 41.**
4. Bring the transit wheels back into the inactive position.
5. Repeat the process on the other side.

## 4.7 Luggage carrier

Your wheelchair can be fitted with a luggage carrier. When not in use, the luggage carrier can be folded up.

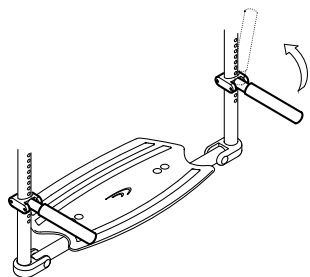


### WARNING!

#### Risk of tipping

Weight on the carrier changes the tipping behavior of the wheelchair. The wheelchair can tip forwards more easily when the luggage carrier is loaded.

- Use the luggage carrier only for transporting small and lightweight luggage.
- Avoid driving the wheelchair too fast when carrying luggage.
- Avoid driving ramps and slopes when carrying luggage.
- Do not stand on the luggage carrier.



---

## 5 SETUP

---

### 5.1 Safety information

**CAUTION!****Risk of injury**

- Before using the wheelchair, check its general condition and its main functions, *8.2 Maintenance Schedule, page 48*.

Your specialist dealer will supply your wheelchair ready for use. Your dealer will explain the main functions and ensure that the wheelchair meets your needs and requirements.

Adjustments of the axle position and the front wheel supportors must be carried out by a specialist dealer.

If you receive your wheelchair folded, please read section *7.2 Folding and unfolding the wheelchair, page 40*.

## 6 USING THE WHEELCHAIR

### 6.1 Safety information



**WARNING!**  
**Risk of accidents**

Uneven tire pressure can have a huge effect on handling.  
– Check the tire pressure before each journey.



**WARNING!**  
**Risk of falling out of the wheelchair**

When using small front wheels the wheelchair could get stuck at curbs or in floor grooves.  
– Make sure that the front wheels are suitable for the surface you are driving on.



**CAUTION!**  
**Risk of crushing**

There may be a very small gap between the rear wheel and the mudguard or the parking brake with the risk that you could trap your fingers.  
– Ensure that you always propel your wheelchair using the handrims only.

### Theft and metal detection systems

In seldom cases the materials used in the wheelchair may activate theft and metal detection systems.

### 6.2 Braking during use

Whilst you are moving, you brake by transferring force to the handrim with your hands.



**WARNING!**  
**Risk of overturning**

If you apply the parking brakes while you are moving, the direction of movement can become uncontrollable and the wheelchair may stop suddenly, which can lead to a collision or to you falling out.  
– Never apply the parking brakes while you are moving.



**WARNING!**  
**Risk of falling out of the wheelchair**

If the wheelchair is rapidly decelerated by an assistant pulling at the push handles, the user may fall out of the wheelchair.  
– Always apply the posture belt if present.  
– Make sure your assistant has been trained individually in transferring occupied wheelchairs.

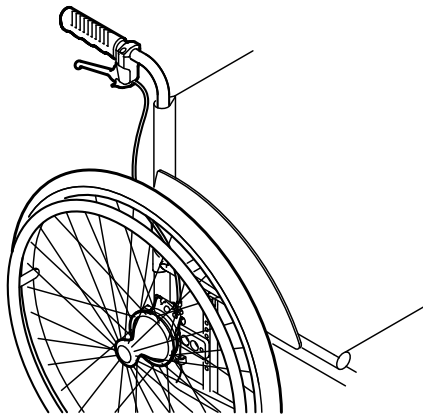
**CAUTION!****Risk of burning your hands**

If you brake for a long time, a lot of frictional heat is produced at the handrims (especially MaxGrepp and Supergripp).  
– Wear suitable gloves.

1. Hold the handrims and press evenly with both hands until the wheelchair stops.

**Braking with an assistant**

With an assistant's brake (drum brake) an assistant can brake the wheelchair while it is moving. The assistant's brake can also be used as a parking brake.



1. To brake, pull the brake lever on the push handle.
2. To park, pull the brake lever firmly until the safety lever engages.
3. To release, pull the brake lever and release the safety lever underneath the brake lever.

**6.3 Getting in and out of the wheelchair****WARNING!****Risk of overturning**

There is a high risk of overturning during the transfer.

- Only get in and out without assistance if you are physically able to do so.
- When transferring, position yourself as far back as possible in the seat. This will prevent damaged upholstery and the possibility of the wheelchair tipping forward.
- Make sure that both castors are facing straight to the front.

**WARNING!****Risk of overturning**

The wheelchair could tip forwards if you stand on the footrest.

- Never stand on the footrest when getting in and out.



**CAUTION!**

If you release or damage the brakes the wheelchair could roll away out of control.

- Do not support yourself on the brakes when getting in and out.



**IMPORTANT!**

The mudguards and armrests could become damaged.

- Never sit on the mudguards or armrests when getting in and out.



1. Propel the wheelchair as near as possible to the seat that you want to move to.
2. Apply the parking brakes.
3. Remove the armrests or move them upwards out of the way.
4. Detach the legrests or swing them outwards.
5. Place your feet on the ground.

6. Hold the wheelchair and, if necessary, also hold a fixed object in the vicinity.
7. Move slowly to chair.



## 6.4 Driving and steering the wheelchair

You drive and steer the wheelchair using the handrims. Before driving without an assistant you must find your wheelchair's tipping point.



### **WARNING!** **Risk of tipping**

The wheelchair can tip backwards if it is not fitted with an antitipper. When finding the tipping point, an assistant must stand immediately behind the wheelchair to catch it if it tips over.

- To prevent tipping, install an antitipper device.



### **WARNING!** **Risk of tipping**

The wheelchair can tip forwards.

- When setting up your wheelchair, test its behavior in terms of tipping forward and adjust your driving style accordingly.

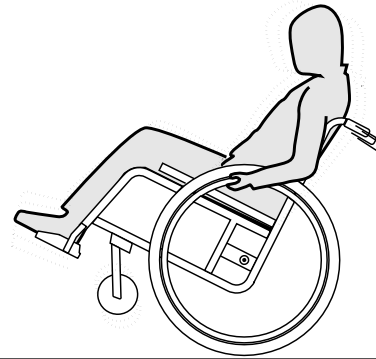


### **CAUTION!**

A heavy load hanging on the backrest can affect the wheelchair's centre of gravity.

- Change your driving style accordingly.

## Finding the tipping point



1. Release the brake.
2. Roll backwards a short distance, grasp both handrims firmly and push forwards with a slight kick.
3. The shift in weight and steering in opposite directions with the handrims will enable you to identify the tipping point.

## 6.5 Negotiating steps and kerbs



### **WARNING!** **Risk of overturning**

When negotiating steps you could lose your balance and tip the wheelchair over.

- Always approach steps and kerbs slowly and carefully.
- Do not go up or down steps that are higher than 25 cm.



### **CAUTION!**

An activated antitipper prevents the wheelchair from tipping backwards.

- Deactivate the antitipper before going up or down steps or kerbs.

### With an assistant



### Going down a step

1. Move the wheelchair right up to the kerb and hold the handrims.
2. The assistant should hold both push handles, place one foot on the tipper aid (if installed) and tilt the wheelchair backwards so that the front wheels lift off the ground.
3. The assistant should then hold the wheelchair in this position, push it carefully down the step and then tilt it forwards until the front wheels are back on the ground.

## Going up a step



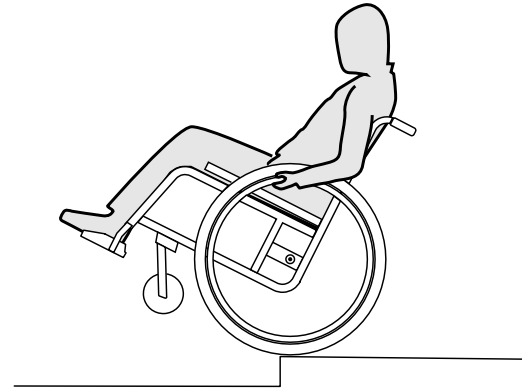
### **WARNING!** **Risk of serious injuries**

Going up steps and kerbs frequently can result in earlier than expected fatigue break of the wheelchair backrest. The user might fall out of the wheelchair.

- Always use a tipper aid when going up steps or kerbs.

1. Move the wheelchair backwards until the rear wheels touch the kerb.
2. The assistant should tilt the wheelchair using both push handles so that the front wheels lift off the ground, then pull the rear wheels over the kerb until the front wheels can be placed back on the ground.

## Without an assistant



### **WARNING!** **Risk of tipping**

When going down a step without an assistant you could tip over backwards if you cannot control your wheelchair.

- First learn how to go down a step with an assistant.
- Learn how to balance on the rear wheels, *6.4 Driving and steering the wheelchair, page 33.*

### Going down a step

1. Move the wheelchair right to the kerb, lift the front wheels and keep the wheelchair balanced.
2. Now slowly roll both rear wheels over the kerb. While doing this, hold the handrims firmly with both hands until the front wheels are back on the ground.

## 6.6 Going up and down stairs

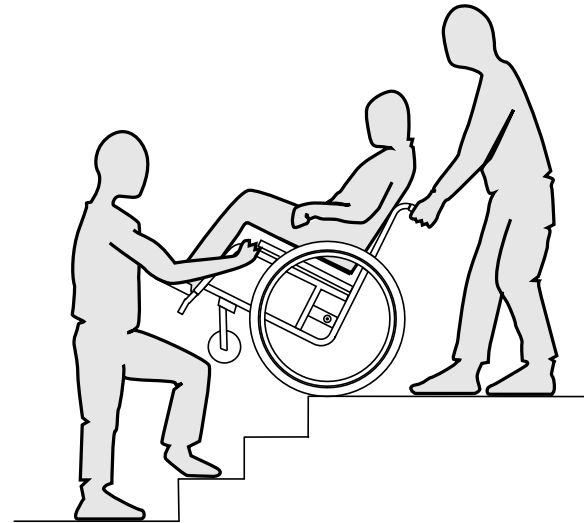


### WARNING!

#### Risk of overturning

When negotiating stairs you could lose your balance and overturn your wheelchair.

- Always use two assistants when negotiating stairs with more than one step.



1. You can go up and down stairs by taking them one step at a time, as described above. The first assistant should stand behind the wheelchair holding the push handles.

The second assistant should hold a solid part of the front frame to steady the wheelchair from the front.

## 6.7 Negotiating ramps and slopes



### **WARNING!**

#### **Risk due to wheelchair being out of control**

When negotiating slopes or gradients your wheelchair could tip backwards, forwards or sideways.

- Always have an assistant behind the wheelchair when approaching long slopes.
- Avoid lateral slopes.
- Avoid slopes of more than 7°.
- Avoid jerking when changing direction on a slope.



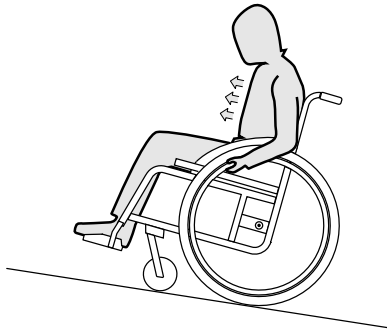
### **CAUTION!**

Your wheelchair could run away even on slightly sloping ground if you do not control it using the handrims.

- Use the parking brakes if your wheelchair is stationary on sloping ground.

## Going up slopes

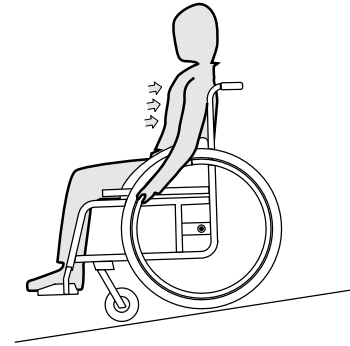
To go up a slope, you must create some momentum, keep up the momentum and control the direction at the same time.



1. Bend your upper body forwards and propel the wheelchair with quick, powerful strokes on both handrims.

## Going down slopes

When going down slopes, it is important to control your direction and particularly your speed.



1. Lean back and carefully allow the handrims to run through your hands. You should be able to stop the wheelchair at any time by gripping the handrims.



### **CAUTION!**

#### **Risk of burning your hands.**

If you brake for a long time, a lot of frictional heat is produced at the handrims (especially MaxGrepp and Supergripp).

- Wear suitable gloves.

## 6.8 Stability and balance when seated

Some everyday activities and actions require you to lean forwards, sideways or backwards out of the wheelchair. This has a major effect on the wheelchair's stability. To keep your balance at all times, proceed as follows:

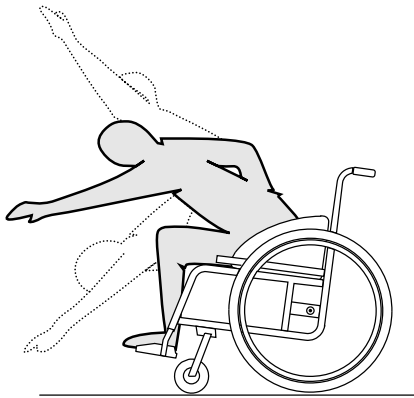
### Leaning forwards



#### **WARNING!** **Risk of falling out**

If you lean forwards out of the wheelchair you could fall out of it.

- Never bend too far forwards and do not shift forwards in your seat to reach an object.
- Do not bend forwards between your knees to pick up something off the floor.



1. Point the front wheels forwards. (To do this, move your wheelchair forwards slightly then back again.)
2. Apply both parking brakes.
3. When leaning forwards your upper body must remain over the front wheels.

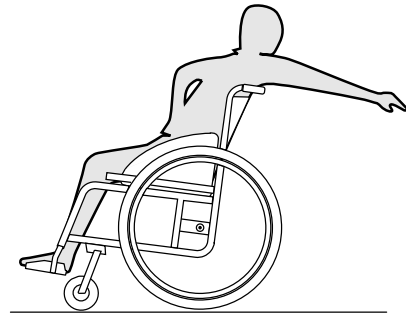
### Reaching backwards



#### **WARNING!** **Risk of falling out**

If you lean too far backwards you could tip your wheelchair over.

- Do not lean out over the backrest.
- Use an antitipper device.



1. Point the front wheels forwards. (To do this, move your wheelchair forwards slightly then back again.)
2. Do not apply the parking brakes.
3. When reaching backwards do not reach so far that you have to change your sitting position.

## 7 TRANSPORT

### 7.1 Safety information



#### **WARNING!**

#### **Risk of injury if the wheelchair is not properly secured**

In the event of an accident, braking manoeuvre, etc. you may suffer serious injuries from flying wheelchair parts.

- Always remove the rear wheels when transporting the wheelchair.
- Firmly secure all wheelchair components in the means of transport to prevent them from coming loose during the journey.



#### **IMPORTANT!**

Excessive wear and abrasion could affect the strength of load-bearing parts.

- Do not pull your wheelchair across abrasive surfaces without the wheels fitted (e.g. pulling the frame over tarmac).

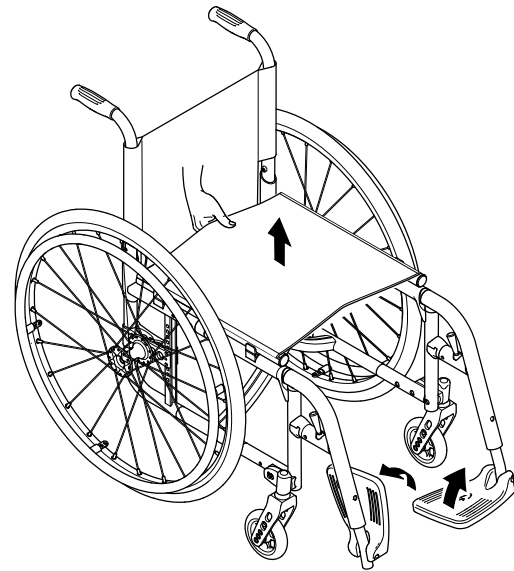
### 7.2 Folding and unfolding the wheelchair



#### **IMPORTANT!**

- Do not fold and unfold the wheelchair when the back is folded down.

### Folding the wheelchair



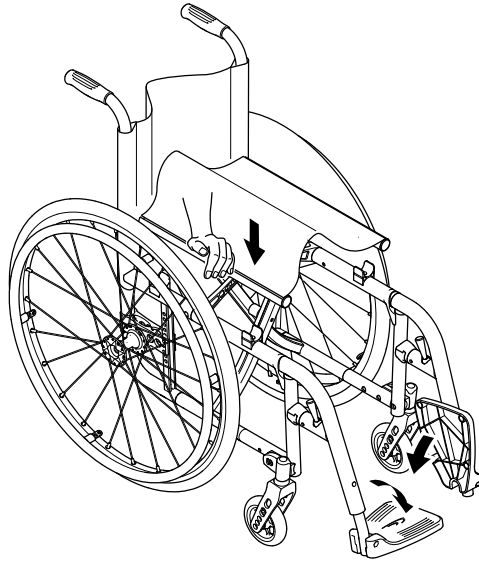
#### **IMPORTANT!**

- Release the stabilizing bar, if present, before folding the wheelchair.

1. Remove the seat cushion, if present.
2. Fold the footrests upwards.
3. Pull the seat cover upwards.
4. Now you can fold the backrest down, if your wheelchair is fitted with a folding back.



## Unfolding the wheelchair



4. With your hand flat, press the seat edge closest to you, so that the seat surface flattens out.
5. Put the wheelchair back completely on the floor and check that the seat edges on both sides are in the guide components.
6. Fold the footrests down.

### 7.3 Removing and installing the rear wheels

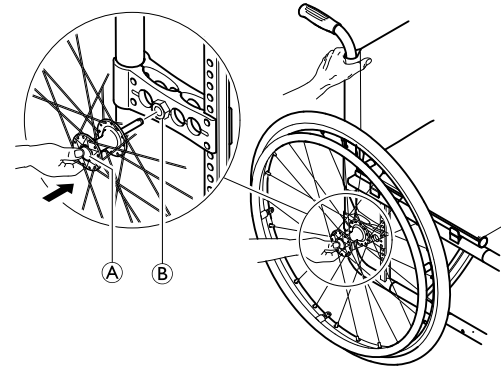


#### WARNING!

#### Risk of overturning

If the removable axle of a rear wheel is not fully engaged, the wheel can become loose during use. This can lead to overturning.

- Always ensure that the removable axles are fully engaged whenever you fit a wheel.



#### CAUTION!



#### Risk of getting fingers caught

There is a risk of getting your fingers caught between the seat edge and the frame.



- Never clasp the seat edge with your fingers.

1. Position the wheelchair next to you.
2. If the back is down, fold it up.
3. Tilt the wheelchair, if possible, gently towards you.

### Removing the rear wheels

1. Disengage the parking brakes.
2. With one hand, hold the wheelchair upright.
3. With the other, hold the wheel through the external spoke rim around the wheel hub.
4. Using your thumb, press the removable axle button . Keep it pressed and pull the wheel out of the adapter sleeve .

### Installing the rear wheels

1. Disengage the parking brakes.
2. With one hand, hold the wheelchair upright.
3. With the other, hold the wheel through the external spoke rim around the wheel hub.
4. Using your thumb, press the removable axle button  and hold it down.
5. Push the axle into the adapter sleeve  up to the stop.
6. Release the removable axle button and make sure that the wheel is secure.

## 7.4 Transporting the occupied wheelchair in a vehicle

Even when the wheelchair is properly secured and the following rules are met, injuries to passengers may occur in a collision or sudden stop. Therefore Invacare strongly recommends transferring the wheelchair user to the vehicle seat with the seat belt on. Do not make alterations or substitutions to points of the wheelchair (structure, frame or parts) without the written consent of Invacare. The wheelchair has been successfully tested according to the requirements of ISO 7176-19.



### **WARNING!**

#### **Risk of serious injury or death**

To use the wheelchair as a seat in a vehicle the backrest height must be at least 400 mm.

To transport the wheelchair with user in a vehicle, a restraint system must be installed in the vehicle. Wheelchair tie-downs and occupant restraint systems must be approved according to ISO 10542-1. Contact your local Invacare representative or specialist dealer for more information on getting and installing an approved and compatible restraint system.

**WARNING!**

If, for some reason, it is impossible to transfer the wheelchair user to a vehicle seat, the wheelchair can be used as a seat in a vehicle if the following procedures and regulations are followed. A transportation kit (optional) has to be fitted on the wheelchair for such a purpose.

- The wheelchair must be secured in the vehicle with a 4-point wheelchair restraint system.
- The user must wear a 3-point passenger restraint system secured to the vehicle.

**WARNING!**

Safety restraint devices must only be used when the wheelchair user's weight is 22 kg or more (ISO-7176-19).

- Do not use the wheelchair as a seat in a vehicle when the user weight is lower than 22 kg.

**WARNING!**

– Before journey contact transporter and request information about the capability for the below required equipment.

– Make sure there is sufficient free space around the wheelchair and user to avoid the user making contact with other vehicle occupants, unpadded parts of the vehicle, wheelchair accessories or anchor points of the restraint system.

**WARNING!**

- Make sure the tie-down points at the wheelchair are not damaged and that the parking brakes are fully functional.
- It's recommended to use puncture-proof tires during transport to avoid brake problems due to reduced tire pressure.

**WARNING!**

Injury or damage may occur from wheelchair components or accessories loosened during a collision or sudden stop.

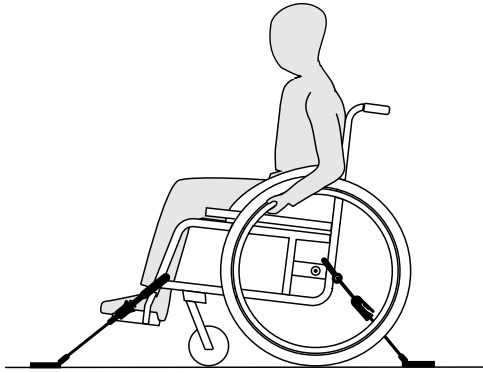
- Ensure all removable or detachable components and accessories are removed from the wheelchair and securely stored in the vehicle.
- It is essential to have your wheelchair checked by a specialist dealer after an accident, collision etc.

**IMPORTANT!**

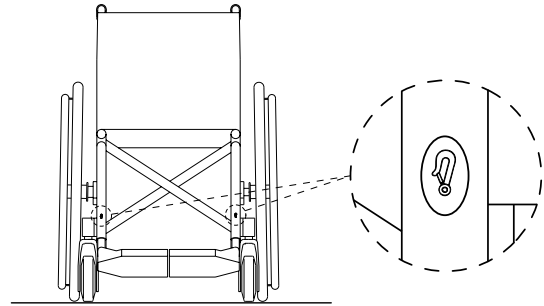
It is recommended that training be given on the proper use of a restraint system product.

- Refer to the user manuals supplied with the restraint systems.
- The following illustrations may differ depending on the restraint system supplier.

## Securing the wheelchair with a 4-point restraint system



Front side tie-down positions for belt straps:

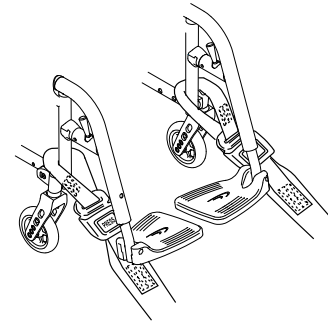


### WARNING!

- Place the wheelchair with the user forward-facing in direction of vehicle travel.
- Apply the wheelchair parking brakes.
- Activate antitipper (if installed).

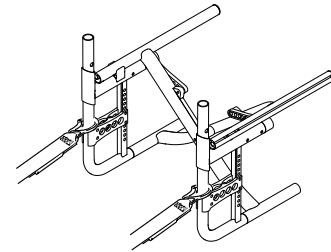
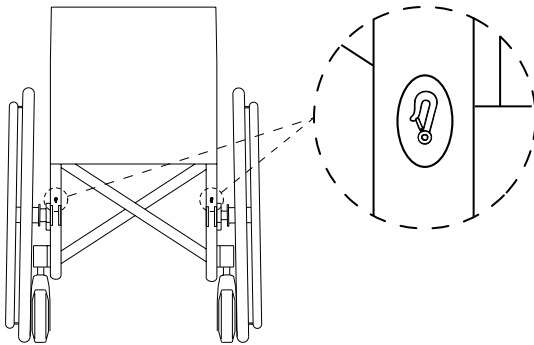
The wheelchair tie-down positions where the restraint system straps must be placed are marked with snap hook symbols (see following figures and section 2.3 *Labels and symbols on the product, page 9* ).

1. Using the front and rear straps of the 4-point restraint system, secure the wheelchair to the vehicle mounted rails. Refer to the user manual supplied with 4-point restraint system.



1. Attach the front straps above the castor supporters as shown in the two figures above (see location of the attachment labels).
2. Attach front straps to the rail system referring to best practice recommended instructions from the safety belt manufacturer.
3. Release the parking brakes and apply tension front straps by pulling the wheelchair backwards from the rear.
4. Re-apply the parking brakes.

Rear side tie-down positions for snap hooks:



1. Attach the snap hooks to the rear frame right above the adapter plate as shown in the two figures above (see location of the attachment labels).
2. Attach rear straps to the rail system referring to best practice recommended instructions from the safety belt manufacturer.
3. Tighten the straps.

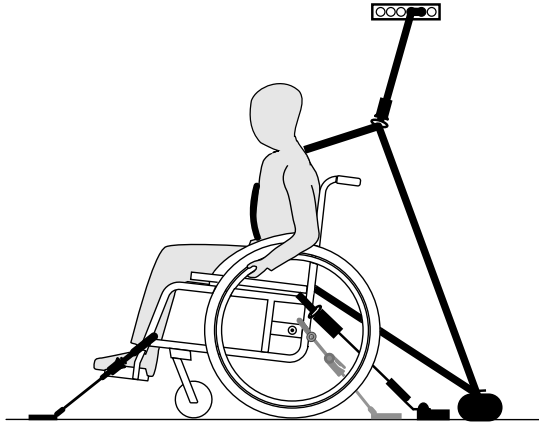
**!** **IMPORTANT!**

- Make sure that the snap hooks are covered with slip resistant material to avoid laterally slipping on the axle.

**!** **IMPORTANT!**

- Check the plungers are fully engaged on both sides and located in the same position of the cut-out section of the rail.
- Make sure that the angle between the rails and the straps lies between 40° and 45°.

### Fastening the 3-point passenger restraint system



**IMPORTANT!**

The illustration above may differ depending on the restraint system supplier.



**WARNING!**

- Ensure the 3-point passenger restraint system fits as tightly across the user's body as possible without discomfort and no part is twisted.
- Ensure the 3-point passenger restraint system is not held away from the user's body by parts of the wheelchair such as armrests or wheels etc.
- Ensure the user restraint has a clear path from the user to the anchor point without interference by any part of the vehicle, wheelchair, seating or accessory.

- Ensure the lap belt fits snugly over the occupant's pelvis and is not allowed to ride up into the abdominal area.
- Ensure the user is able to reach the release mechanism unaided.

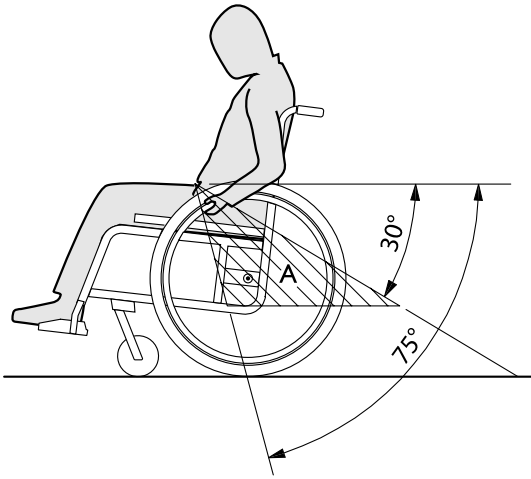


1. Attach the 3-point passenger restraint system referring to the user manual supplied with your 3-point restraint system.



**IMPORTANT!**

- Apply the lap belt of the 3-point passenger restraint system low across the pelvis so that the angle of the lap belt is within the preferred zone (A) of 30° to 75° to the horizontal. A steeper angle is preferred, but never exceeding 75°.



## 8 MAINTENANCE

### 8.1 Safety information



#### WARNING!

Some materials deteriorate naturally over time. This could result in damage to wheelchair components.

- Your wheelchair should be checked by a specialist dealer at least once a year or if it has not been used for a long period.



Your küschall specialist dealer can provide help in carrying out regular maintenance. To find an authorized specialist dealer near you, contact the küschall distributor for your country (end of this document).

### 8.2 Maintenance Schedule

To ensure safe and reliable operation, carry out the following checks and maintenance regularly or have it carried out by another person.

	weekly	monthly	annually
Check the tire pressure	x		
Check that rear wheels are seated correctly	x		

	weekly	monthly	annually
Check the posture belt	x		
Visual check		x	
Check the front wheels		x	
Check bolts		x	
Check spokes		x	
Check parking brakes		x	
Have wheelchair checked by a specialist dealer			x

#### Check the tire pressure

1. Check the tire pressure.



See section "Tires" for more information.

2. Inflate the tires to the required pressure.
3. Check the tire tread at the same time.
4. If necessary, change the tires.

#### Check that rear wheels are seated correctly

1. Pull on the rear wheel to check that the removable axle is seated correctly. The wheel should not come off.
2. If the rear wheels are not engaged properly, remove any dirt or deposits. If the problem persists, have the removable axles re-fitted by a specialist dealer.



## Check the posture belt

1. Check that the posture belt is adjusted correctly.

### ! IMPORTANT!

- Loose posture belts must be adjusted by a specialist dealer.
- Damaged posture belts must be replaced by a specialist dealer.
- Posture belts must always be installed by a specialist dealer.

## Visual check

1. Examine your wheelchair for loose parts, cracks or other defects.
2. If you find anything, have your wheelchair checked immediately by a specialist dealer.

## Check the front wheels

1. Check that the front wheels turn freely.
2. Remove any dirt or hair from the front wheel bearings.
3. Faulty or worn out front wheels must be replaced by a specialist dealer.

## Check the bolts

Bolts can work loose through constant use.

1. Check that the bolts are tight (on the footrest, seat cover, sides, backrest, frame, seat module).
2. Tighten any loose bolts with the suitable torque. Therefore refer to the service manual, available on the internet at [www.kuschall.com](http://www.kuschall.com).

### ! IMPORTANT!

- Safety nuts and bolts lose their effectiveness as a result of repeated loosening and tightening.
- Safety nuts and bolts must be replaced by a specialist dealer.

## Check the spoke tension

The spokes should not be loose or distorted.

1. Loose spokes must be tightened by a specialist dealer.
2. Broken spokes must be replaced by a specialist dealer.

## Check the parking brakes

1. Check that the parking brakes are positioned correctly. The parking brake is set correctly if the parking brake shoe depresses the tire by a few millimeters when the parking brake is engaged.
2. If you find that the setting is not correct, have the parking brakes correctly set by a specialist dealer.

### ! IMPORTANT!

- The parking brakes must be reset after replacing the rear wheels or changing their position.

## Checking after a heavy collision or blow

### ! IMPORTANT!

- The wheelchair can sustain visibly undetectable damage as a result of a heavy collision or hard blow.
- It is essential to have your wheelchair checked by a specialist dealer after a heavy collision or hard blow.

## Repairing or changing an inner tube

1. Remove the rear wheel and release any air from the inner tube.
2. Lift one tire wall away from the rim using a bicycle tire lever. Do not use sharp objects such as a screwdriver which could damage the inner tube.
3. Pull the inner tube out of the tire.
4. Repair the inner tube using a bicycle repair kit or, if necessary, replace the tube.
5. Inflate the tube slightly until it becomes round.
6. Insert the valve into the valve hole on the rim and place the tube inside the tire (the tube should lie right round the tire with no creases).
7. Lift the tire wall over the edge of the rim. Start close to the valve and use a bicycle tire lever. When doing this, check all the way round to ensure that the inner tube is not trapped between the tire and the rim.
8. Inflate the tire to the maximum operating pressure. Check that no air is escaping from the tire.

## Spare parts



All spare parts may be obtained from a kuschall specialist dealer. A current list of spare parts is available on the internet at [www.kuschall.com](http://www.kuschall.com).

## 8.3 Cleaning

Your wheelchair will serve you well for many years if you clean it regularly.



### IMPORTANT!

Sand and seawater can damage the bearings and steel parts can rust if the surface is damaged.

- Only expose the wheelchair to sand and seawater for short periods and clean it after every trip to the beach.



### IMPORTANT!

- Do not use coarse abrasives, aggressive cleaning products or high-pressure cleaners. Never use acids, alkalines or solvents such as acetone or cellulose thinner.
- Always use ordinary household cleaning agents.

1. Clean the cushions and metal parts with a soft, damp cloth.
2. Dry the wheelchair carefully with a cloth after using it in the rain.
3. If the wheelchair is dirty, wipe off the dirt as soon as possible with a damp cloth and dry it carefully.



Regular cleaning will reveal loose or worn parts and enhance the smooth operation of your wheelchair. To operate properly and safely, your wheelchair must be cared for just like any other vehicle. For upholstery that is severely stained or surface finish that is badly damaged, contact an authorized dealer for further information.

### Cleaning upholstery

For cleaning upholstery refer to the instructions on the label on the seat, cushion and backrest cover.

### Cleaning metal surfaces

Hot water and mild detergent on soft cloth should be used to clean metal surfaces.

1. Wipe down with damp cloth.
2. Dry surface by wiping down with dry cloth.

Car polish and soft wax can be used to remove abrasions and restore gloss.

### Cleaning plastic surfaces

Plastic surfaces must be cleaned with soft cloth, mild detergent and hot water.



#### IMPORTANT!

- Do not use solvents or kitchen cleaners to clean plastic surfaces.

1. Rinse surface with clean water.
2. Dry surface by wiping down with dry cloth.

## 8.4 Disinfection

The wheelchair may be disinfected by spraying or wiping with tested, approved disinfectants.



The Robert Koch Institute has a list of currently approved disinfectants at [www.rki.de](http://www.rki.de).

## 9 AFTER USE

### 9.1 Storage



#### **IMPORTANT!**

Risk of damage to the product

- Do not store the product near heat sources.
- Never store other items on top of the wheelchair.
- Store the wheelchair indoors in a dry environment.
- Refer to temperature limitation in chapter *11.2 Environmental conditions, page 57*.

After long-term storage (more than four months) the wheelchair must be inspected in accordance to chapter *8 Maintenance, page 48*.

### 9.2 Re-use

The wheelchair is suitable for re-use. The following actions should be taken:

- Cleaning and disinfection, *8.3 Cleaning, page 50* and *8.4 Disinfection, page 51* in this manual.
- Inspection, *8.2 Maintenance Schedule, page 48* in this manual.
- The wheelchair should be adapted for the new user in accordance with the service documentation (available from the küschall distributor in your country).

### 9.3 Disposal information

Be environmentally aware and dispose of your wheelchair properly. Disposal is subject to national and local regulations.



For correct disposal, contact your specialist dealer or ask your town or district council about local waste management companies.

---

## 10 TROUBLESHOOTING

---

### 10.1 Safety information

Faults may arise as a result of daily use, adjustments or changing demands on the wheelchair. The table below shows how to identify and repair faults.

**CAUTION!**

- Contact your specialist dealer immediately if you notice a fault with your wheelchair, e.g. a significant change in handling.

**IMPORTANT!**

- Some of the actions listed must be carried out by an authorized specialist dealer. These are indicated. We recommend that *all* adjustments are carried out by a specialist dealer.

## 10.2 Identifying and repairing faults

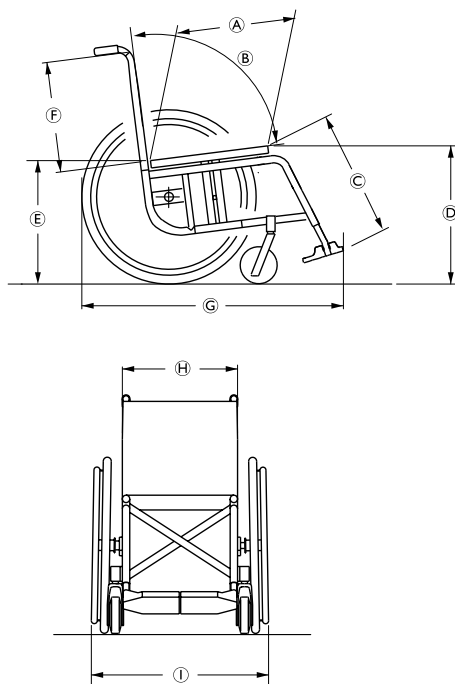
Fault	Possible cause	Action
The wheelchair does not travel in a straight line	Incorrect tire pressure on one rear wheel	Correct tire pressure, ® 3.14 Tires, page 22
	One or more spokes broken	Replace faulty spoke(s), ® specialist dealer
	Spokes tightened unevenly	Tighten loose spokes, ® specialist dealer
	Front wheel supporter is not aligned correctly	Correct position and alignment of front wheel supporter, ® specialist dealer
	Front wheel bearings are dirty or damaged	Clean or replace the bearings, ® specialist dealer
	Rear wheels are off track	Change track, ® specialist dealer
	Front wheels not adjusted to same height	Position the front wheels such that they touch the floor at the same time, ® specialist dealer
The wheelchair tips backwards too easily	Rear wheels are mounted too far forwards	Mount the rear wheels further back, ® specialist dealer
	Back angle too large	Reduce the backrest angle, ® specialist dealer
	Seat angle too large	Mount the adapter plate lower on the side profile, ® specialist dealer Select a smaller front wheel fork, ® specialist dealer
Removable axles cannot be inserted correctly	Removable axles dirty	Clean removable axles
	Removable axles misaligned	Adjust removable axles, ® specialist dealer

<b>Fault</b>	<b>Possible cause</b>	<b>Action</b>
The parking brakes are gripping poorly or asymmetrically	Incorrect tire pressure in one or both rear tires	Correct tire pressure, ® 3.14 Tires, page 22
	Parking brake setting incorrect	Correct the parking brake setting, ® specialist dealer
Rolling resistance is very high	Tire pressure in rear tires is too low Tire is punctured	Correct tire pressure or replace the tube inside the tire, ® 3.14 Tires, page 22
	Rear wheels not parallel	Ensure the rear wheels are parallel, ® specialist dealer
The front wheels wobble when moving fast	Too little tension in front wheel bearing block	Tighten the nut on the bearing block axle slightly, ® specialist dealer
	Front wheel has worn smooth	Change front wheel, ® specialist dealer
The front wheel is stiff or stuck	Bearings are dirty or faulty	Clean or replace the bearings, ® specialist dealer
The wheelchair is very difficult to unfold	Backrest cover is too tight	Loosen the hook and loop straps of the backrest cover a little, ® 3.3 Backrest, page 14

## 11 TECHNICAL DATA

### 11.1 Dimensions and weight

All dimension an weight specifications refer to a seat width of 400 mm, seat depth of 400 mm in the lightest configuration of the wheelchair. Dimension an weight may alter according to different configurations.



Ⓐ	Seat depth	320 – 500 mm, in increments of 20 mm
Ⓑ	Backrest angle	82°/86°/90°/ 94°/98°/102°
Ⓒ	Knee-to-heel length	200 – 510 mm, in increments of 10 mm
Ⓓ	Seat height front	430 – 530 mm, in increments of 10 mm
Ⓔ	Seat height rear	390 – 500 mm, in increments of 10 mm
Ⓕ	Backrest height	300 – 510 mm, in increments of 15 mm
Ⓖ	Total length	70°: approx. 880 mm 80°: approx. 830 mm
Ⓗ	Seat width	280 – 500 mm, in increments of 20 mm
Ⓘ	Total width	Seat width + 180 mm
	Total width, folded	approx. 290 mm
	Weight	approx. 10,1 kg
	Transport weight (without rear wheels)	approx. 7,2 kg
	Maximum user weight	130 kg



Reversing width	920 – 1230 mm
Max. safe slope	7°

### 11.2 Environmental conditions

Do not expose the wheelchair to temperatures below -20 °C or above 40 °C.

### 11.3 Materials

The components used to manufacture küschall wheelchairs consist of following materials:

Frame tubes	Aluminum
Backrest tubes	Aluminum
Cross struts	Aluminum
Seat cover / Backrest cover	PA / PE / PVC
Push handle	Steel / Aluminum / TPE
Clothes guard / Mudguard	Carbon Fiber
Front wheel forks	Aluminum
Footrests	Plastic
Supporting parts / Attachments	Steel / Aluminum
Screws and bolts	Steel

All components have either a protective coating or are corrosion resistant.

Notes

# CONTENIDO

Este manual DEBE ser entregado al usuario final. ANTES de usar este producto lea este manual y guárdelo para futuras referencias.

<b>1</b>	<b>Generalidades</b>	<b>61</b>
1.1	Introducción	61
1.2	Símbolos en este manual	61
1.3	Información sobre la garantía	62
1.4	Cumplimiento	62
1.4.1	Normas específicas del producto	62
1.5	Uso previsto	62
1.6	Vida útil	62
1.7	Protección de la propiedad intelectual	63
1.8	Limitación de responsabilidad	63
<b>2</b>	<b>Seguridad</b>	<b>64</b>
2.1	Información sobre seguridad	64
2.2	Dispositivos de seguridad	65
2.3	Etiquetas y símbolos en el producto	65
<b>3</b>	<b>Estructura y funcionamiento</b>	<b>67</b>
3.1	Vista global	67
3.2	Frenos de estacionamiento	68
3.3	Respaldo	70
3.4	Respaldo abatible (opcional)	71
3.5	Empuñaduras	71
3.6	Barra de estabilización para la parte trasera	72
3.7	Reposabrazos en el color del chasis, abatible y regulable en altura	73
3.8	Reposabrazos con mecanismo de encaje, abatible y regulable en altura	74

3.9	Reposabrazos, con ajuste en altura infinito, sin bloqueo	74
3.10	Reposabrazos simple, con ajuste en altura infinito, giro, sin bloqueo	75
3.11	Reposabrazos Kuschall	76
3.12	Guardabarros	77
3.13	Dispositivo antivuelco	78
3.14	Ruedas	79
3.15	Cojín del asiento	80
3.16	Correa para la pantorrilla/anillas de talones	80
<b>4</b>	<b>Accesorios</b>	<b>82</b>
4.1	Cinturón postural	82
4.2	Pisapié	84
4.3	Bomba de inflar	84
4.4	Iluminación pasiva	84
4.5	Soporte para bastones	84
4.6	Ruedas transit	85
4.7	Portaequipajes	86
<b>5</b>	<b>Instalación</b>	<b>87</b>
5.1	Información sobre seguridad	87
<b>6</b>	<b>Conducción de la silla de ruedas</b>	<b>88</b>
6.1	Información sobre seguridad	88
6.2	Frenado durante el uso	89
6.3	Subida y bajada de la silla de ruedas	90
6.4	Desplazamiento y conducción de la silla de ruedas	91
6.5	Desplazamiento con escalones y descansillos	92
6.6	Bajar escaleras	95
6.7	Conducción sobre rampas y pendientes	96
6.8	Estabilidad y equilibrio al estar sentado	97

<b>7</b>	<b>Transporte</b> . . . . .	<b>99</b>
7.1	Información sobre seguridad . . . . .	99
7.2	Plegado y desplegado de la silla de ruedas . . . . .	99
7.3	Desmontaje y colocación de las ruedas traseras . . . . .	100
7.4	Transporte de la silla de ruedas ocupada en un vehículo . . . . .	101
<b>8</b>	<b>Mantenimiento</b> . . . . .	<b>108</b>
8.1	Información sobre seguridad . . . . .	108
8.2	Programa de mantenimiento . . . . .	108
8.3	Limpieza . . . . .	111
8.4	Desinfección . . . . .	112
<b>9</b>	<b>Después del uso</b> . . . . .	<b>113</b>
9.1	Almacenamiento . . . . .	113
9.2	Reutilización . . . . .	113
9.3	Información sobre la eliminación . . . . .	113
<b>10</b>	<b>Solución de problemas</b> . . . . .	<b>114</b>
10.1	Información sobre seguridad . . . . .	114
10.2	Identificación y reparación de fallos . . . . .	115
<b>11</b>	<b>Datos Técnicos</b> . . . . .	<b>117</b>
11.1	Dimensiones y peso . . . . .	117
11.2	Condiciones ambientales . . . . .	118
11.3	Materiales . . . . .	118

# 1 GENERALIDADES

## 1.1 Introducción

Este manual del usuario contiene información importante sobre el manejo del producto. Para garantizar la seguridad cuando utilice el producto, lea detenidamente el manual del usuario y siga las instrucciones de seguridad.

Tenga en cuenta que puede haber secciones de este manual del usuario que no sean relevantes para su producto, ya que este manual se aplica a todos los modelos disponibles (en la fecha de impresión). Si no se indica lo contrario, cada sección de este manual hace referencia a todos los modelos del producto.

Los modelos y las configuraciones disponibles en su país pueden encontrarse en las listas de precios específicas del país.

Invacare se reserva el derecho de modificar las especificaciones del producto sin previo aviso.

Antes de leer este manual, asegúrese de contar con la versión más reciente. Podrá encontrarla en formato PDF en el sitio web de Invacare.

Si la versión impresa del manual del usuario tiene un tamaño de letra que le resulta difícil de leer, podrá descargarlo en formato PDF en el sitio web. Podrá ampliar el PDF en pantalla a un tamaño de letra que le resulte más cómodo.

Para obtener más información sobre el producto, por ejemplo, avisos de seguridad sobre el producto y retiradas

del producto, póngase en contacto con su representante de Invacare. Consulte las direcciones al final de este documento.

## 1.2 Símbolos en este manual

En este manual, las advertencias están indicadas con símbolos. A los símbolos de las advertencias se les añade un encabezado que indica la gravedad del peligro.



### ADVERTENCIA

Indica una situación peligrosa que, si no se evita, podría tener como consecuencia la muerte o lesiones graves.



### PRECAUCIÓN

Indica una situación peligrosa que, si no se evita, podría tener como consecuencia lesiones menos graves.



### IMPORTANTE

Indica una situación peligrosa que, si no se evita, podría tener como consecuencia daños a la propiedad.



### Consejos y recomendaciones

Proporciona consejos útiles, recomendaciones e información para un uso eficiente y sin problemas.



Este producto cumple con la Directiva 93/42/CEE en lo concerniente a productos sanitarios. La fecha de lanzamiento de este producto figura en la declaración de conformidad CE.



Fabricante del producto.

### 1.3 Información sobre la garantía

Ofrecemos la garantía del fabricante del producto conforme a nuestras Condiciones generales y Condiciones comerciales en los distintos países.

Las reclamaciones relativas a la garantía solo pueden efectuarse a través del distribuidor en el que se adquirió el producto.

### 1.4 Cumplimiento

La calidad es fundamental para el funcionamiento de la empresa, que trabaja conforme a las normativas ISO 13485.

Este producto lleva la marca CE correspondiente, en cumplimiento con la Directiva sobre dispositivos médicos 93/42/CEE Clase 1.

Trabajamos continuamente para garantizar que se reduzca al mínimo el impacto medioambiental de la empresa, tanto a nivel local como global.

Solo utilizamos materiales y componentes que cumplen con las directivas REACH.

### 1.4.1 Normas específicas del producto

Se ha probado la silla de ruedas según la norma EN 12183. Entre las evaluaciones se incluye una prueba de inflamabilidad.

Para obtener más información sobre las normativas locales, póngase en contacto con su representante local de Invacare. Consulte las direcciones al final de este documento.

### 1.5 Uso previsto

Esta silla de ruedas activa está diseñada para proporcionar movilidad a personas limitadas a una posición sentada.

#### Indicaciones

Las personas discapacitadas de 12 años en adelante (adolescentes y adultos) con dificultades de movilidad y limitadas a una posición sentada.

#### Contraindicaciones

No existen contraindicaciones.



Esta silla de ruedas activa debe prescribirse y ajustarse a su estado de salud específico.

### 1.6 Vida útil

La vida útil prevista es de cinco años, siempre y cuando el producto se utilice diariamente y conforme a las instrucciones de seguridad y las instrucciones de mantenimiento, y se respete el uso previsto, tal y como se indica en el presente manual.

## **1.7 Protección de la propiedad intelectual**

Este manual del usuario está protegido por derechos de propiedad intelectual. Su reimpresión, reproducción o transmisión a terceros, ya sea total o parcial, no se permite sin el consentimiento previo por escrito del fabricante.

## **1.8 Limitación de responsabilidad**

Invacare no se hace responsable de los daños surgidos por:

- Incumplimiento del manual del usuario
- Uso incorrecto
- Desgaste natural
- Montaje o instalación incorrectos por parte del comprador o de terceros
- Modificaciones técnicas
- Modificaciones no autorizadas y/o uso de recambios inadecuados

## 2 SEGURIDAD

### 2.1 Información sobre seguridad

En esta sección se incluye información importante sobre seguridad para la protección del usuario de la silla de ruedas y su cuidador, así como para el uso seguro y sin problemas de la silla de ruedas.



#### ¡ADVERTENCIA!

##### Riesgo de accidentes y lesiones graves

Se pueden producir accidentes con lesiones graves si la silla de ruedas no está correctamente ajustada.

- Los ajustes de la silla de ruedas siempre deberá realizarlos un distribuidor especialista.



#### ¡ADVERTENCIA!

##### Riesgos debidos a un estilo de conducción inadecuado para las condiciones

Existe el riesgo de que la silla de ruedas patine en suelos húmedos, en gravilla o en terrenos irregulares.

- Adapte siempre la velocidad y el estilo de conducción a las condiciones (climatología, tipo de superficie, habilidad individual, etc.).



#### ¡ADVERTENCIA!

##### Riesgo de lesiones

En caso de colisión, podría sufrir lesiones en partes del cuerpo que sobresalen de la silla de ruedas (por ejemplo, los pies o las manos).

- En caso de colisión inminente, frene la silla.
- No conduzca nunca hacia un objeto de frente.
- Conduzca con cuidado por espacios estrechos.



#### ¡ADVERTENCIA!

##### Riesgos provocados por una silla de ruedas fuera de control

A velocidades altas, podría perder el control de la silla de ruedas y volcar.

- Nunca supere una velocidad de 7 km/h.
- Evite las colisiones en general.



#### ¡PRECAUCIÓN!

##### Riesgo de quemaduras

Los componentes de la silla de ruedas pueden calentarse si se exponen a fuentes externas de calor.

- No exponga la silla de ruedas a la luz solar intensa antes de utilizarla.
- Antes de utilizarla, compruebe la temperatura de todos los componentes que están en contacto con la piel.



**¡PRECAUCIÓN!****Riesgo de atrapamiento de los dedos**

Siempre existe el riesgo de que se le queden atrapados los dedos o los brazos entre las partes móviles de la silla de ruedas.

- Al accionar los mecanismos de plegado o inserción de las piezas en movimiento, como el eje extraíble de la rueda trasera, o bien al plegar el respaldo o el dispositivo antivuelco, existe riesgo de atrapamiento.

**2.2 Dispositivos de seguridad****¡ADVERTENCIA!****Peligro de accidente**

Unos dispositivos de seguridad (frenos, dispositivos antivuelco) incorrectamente ajustados o que no funcionen pueden provocar accidentes.

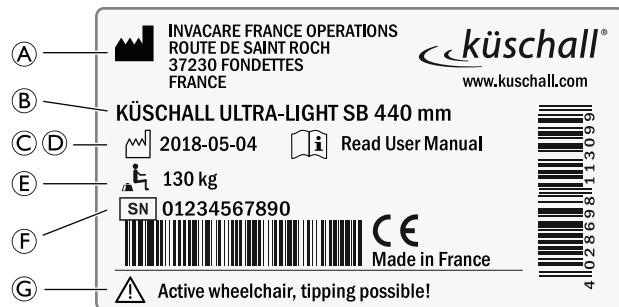
- Antes de cada uso de la silla de ruedas, compruebe el funcionamiento de los dispositivos de seguridad y encargue su control periódicamente a un distribuidor especializado.

Las funciones de los dispositivos de seguridad se describen en el capítulo 3 *Estructura y funcionamiento*, página 67.

**2.3 Etiquetas y símbolos en el producto****Etiqueta de identificación**


La etiqueta de identificación se fija en el chasis de la silla de ruedas y le ofrece la siguiente información:


1583566-E




Ⓐ	Dirección del fabricante
Ⓑ	Descripción del producto
Ⓒ	Fecha de fabricación
Ⓓ	Instrucción que indica que se lea el manual del usuario
Ⓔ	Peso del usuario máximo
Ⓕ	Número de serie
Ⓖ	Advertencia de que se trata de una silla de ruedas activa y que es posible volcar

### Símbolo del gancho de mosquetón


	<p>Posiciones de fijación en las que deben colocarse las correas del sistema de fijación en caso de transportar la silla de ruedas ocupada en un vehículo a motor; consulte 7.4 <i>Transporte de la silla de ruedas ocupada en un vehículo, página 101</i></p> <p>Estos símbolos se fijan a la silla de ruedas solamente cuando esta se solicita con la opción del kit de transporte.</p>
---	---

	<p><b>Símbolo de advertencia</b></p> <p>Esta silla de ruedas no está configurada para el transporte de pasajeros en un vehículo a motor.</p>
---	--

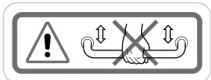
### Etiqueta de advertencia del dispositivo antivuelco

	<p><b>ADVERTENCIA: Lea el manual del usuario</b></p> <p>Siga las instrucciones del manual del usuario antes de utilizar el dispositivo antivuelco.</p>
--	--

### Etiqueta de advertencia de partes laterales sin bloqueo

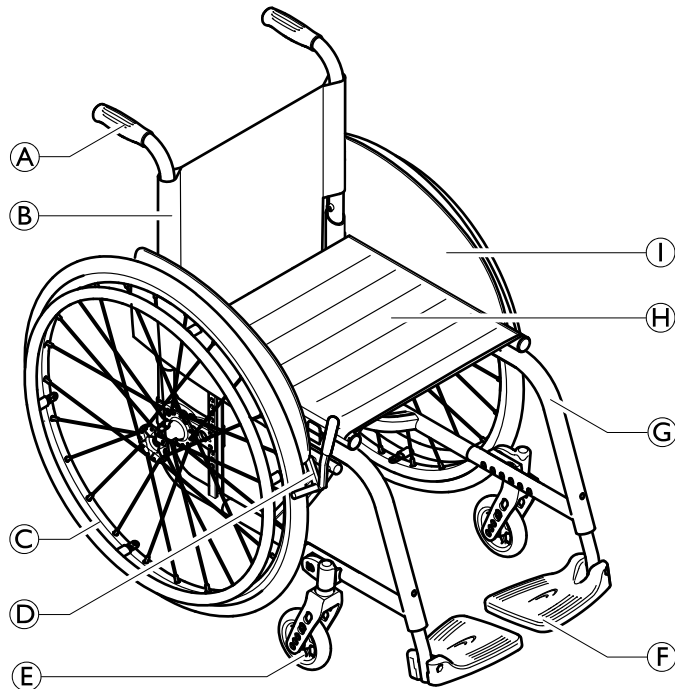
	<p>No levante la silla de ruedas por las partes laterales que no cuentan con bloqueo.</p>
---	---

### Etiqueta de advertencia de la barra de estabilización

	<p>No levante la silla de ruedas por la barra de estabilización.</p>
--	--

## 3 ESTRUCTURA Y FUNCIONAMIENTO

### 3.1 Vista global



Ⓐ	Empuñadura
Ⓑ	Respaldo
Ⓒ	Rueda trasera con aro de propulsión
Ⓓ	Freno de estacionamiento
Ⓔ	Horquilla de la rueda delantera con rueda
Ⓕ	Reposapiés abatibles
Ⓖ	Chasis
Ⓗ	Asiento
Ⓘ	Protector de ropa

#### Breve descripción

La kuschall Ultra-Light es una silla de ruedas activa plegable con tirantes diagonales.

**i** El equipamiento real de su silla de ruedas puede diferir del aquí presentado, ya que cada silla de ruedas se confecciona de forma especial según los datos del pedido.

## 3.2 Frenos de estacionamiento

Los frenos de estacionamiento se utilizan para inmovilizar la silla de ruedas cuando esta se ha detenido, para evitar que ruede.



### ¡ADVERTENCIA!

#### Riesgo de caída si se frena bruscamente

Si acciona los frenos de estacionamiento con la silla en movimiento, puede perder el control sobre la dirección del movimiento y es posible que la silla de ruedas se detenga bruscamente, lo cual puede provocar una colisión o una caída.

- No accione nunca los frenos de estacionamiento mientras la silla esté en movimiento.



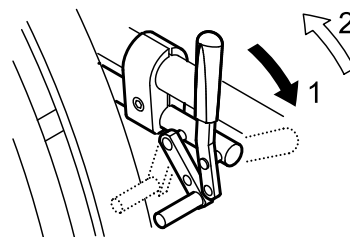
### ¡ADVERTENCIA!

#### Riesgo de caída

Los frenos de estacionamiento no funcionarán correctamente, a menos que haya aire suficiente en los neumáticos.

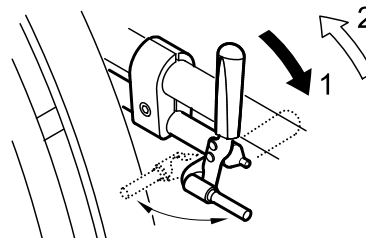
- Asegúrese de que los neumáticos tengan la presión correcta, *3.14 Ruedas, página 79*.

## Freno estándar



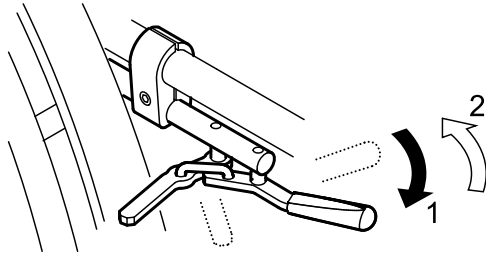
1. Para accionar el freno, empuje la palanca del freno hacia delante tanto como sea posible.
2. Para desacoplar el freno, tire de la palanca del freno hacia atrás.

## Freno performance



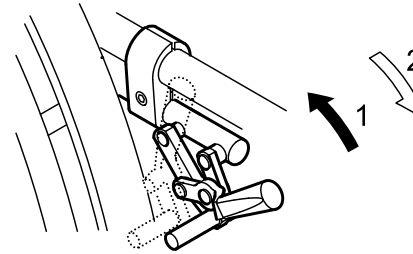
1. Para accionar el freno, empuje la palanca del freno hacia delante tanto como sea posible.
2. Para desacoplar el freno, tire de la palanca del freno hacia atrás.

### Freno activo



1. Para accionar el freno, tire de la palanca del freno hacia delante junto o entre las rodillas tanto como sea posible.
2. Para desacoplar el freno, empuje la palanca del freno hacia atrás junto o entre las rodillas.

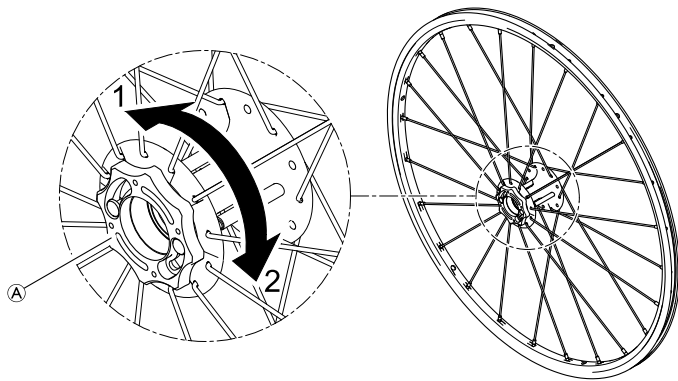
### Freno de tiro



1. Para accionar el freno, tire de la palanca del freno hacia atrás tanto como sea posible.
2. Para desacoplar el freno, empuje la palanca del freno hacia delante.

### Freno de cubo (opcional)

El freno de cubo se acciona mediante el anillo de freno situado en la parte exterior del cubo de cada rueda.



1. Para accionar este freno, gire el anillo de freno **A** en la dirección 1 hasta que se detenga.
2. Para desacoplar el freno de cubo, gire el anillo de freno en la dirección 2 hasta que se detenga.



### ¡ADVERTENCIA!

#### Riesgo de caída si se frena bruscamente

Si acciona los frenos de cubo con la silla en movimiento, se puede perder el control sobre la dirección del movimiento y es posible que la silla de ruedas se detenga bruscamente, lo cual podría provocar una colisión o una caída.

- No accione nunca el freno de cubo mientras la silla esté en movimiento.



### ¡ADVERTENCIA!

#### Peligro de lesiones debido al vuelco de la silla de ruedas

Cuando se va marcha atrás, la silla de ruedas podría volcar si se rompe el pasador del freno de cubo que bloquea la rueda.

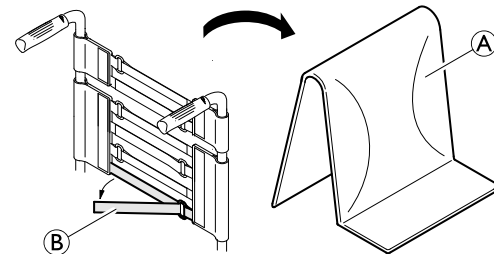
- Si escucha un ruido mecánico causado por el freno de cubo al desplazarse en la silla de ruedas, póngase en contacto de inmediato con su distribuidor especializado.
- Si escucha un sonido de ese tipo, evite ir marcha atrás hasta que el freno de cubo se repare o se sustituya por otro.

## 3.3 Respaldo

### Funda del respaldo

Puede ajustar la tensión de la funda del respaldo cuanto sea necesario.

### Ajuste de la funda del respaldo



1. Quite el cojín del respaldo ①.
2. Afloje las cinchas de velcro ② en la parte posterior de la funda del respaldo, simplemente tirando de ellas.
3. Apriete o afloje las cintas según se requiera y, a continuación, vuelva a fijarlas.



### ¡ADVERTENCIA! Riesgo de volcado

Si las bandas se aflojan mucho, el punto de volcado de la silla de ruedas empeora.

- Asegúrese de que las bandas estén colocadas correctamente.

### Altura del respaldo

La altura del respaldo se puede ajustar. Este ajuste deberá realizarlo un distribuidor especialista.

### Ángulo del respaldo

El ángulo del respaldo se puede ajustar. Este ajuste deberá realizarlo un distribuidor especialista.

## 3.4 Respaldo abatible (opcional)

El respaldo se puede abatir y enderezar en ambos estados plegado y desplegado.

### Plegado del respaldo

1. Para plegar el respaldo, agarre la correa situada en la parte posterior de la silla de ruedas y tire de ella hacia arriba.
2. Al mismo tiempo, empuje el borde superior del respaldo hacia delante.

## Desplegado del respaldo

1. Para desplegar el respaldo, agarre el borde superior del respaldo y llévelo hacia arriba.



### IMPORTANTE

- No pliegue y despliegue la silla de ruedas cuando el respaldo esté abatido.

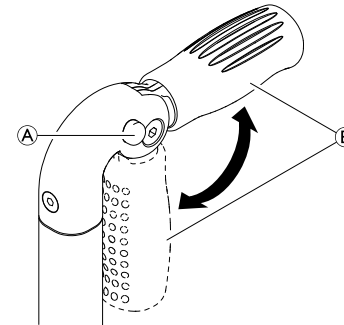
## 3.5 Empuñaduras



### IMPORTANTE

- Compruebe siempre las empuñaduras antes de usar la silla de ruedas para verificar que los asideros estén bien sujetos y no puedan girar ni salirse.

### Empuñaduras abatibles



1. Pulse hasta el fondo el botón ① y levante la empuñadura abatida ② hasta que encaje de forma audible.



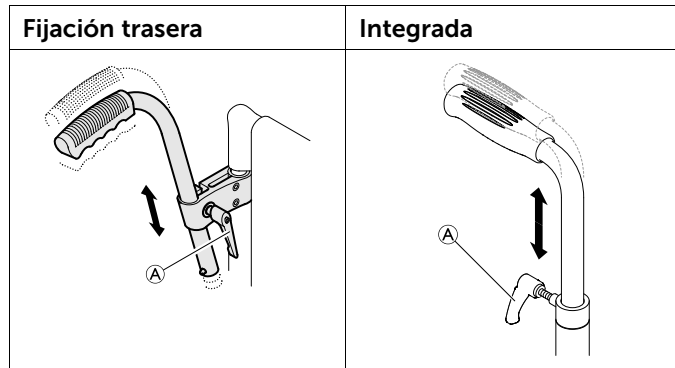
### ¡PRECAUCIÓN!

Si la empuñadura no encaja correctamente, puede que se pliegue de forma accidental al empujar la silla de ruedas.

- Asegúrese de que la empuñadura encaje correctamente.

### Empuñaduras con ajuste en altura

Las empuñaduras con ajuste en altura sin intervalos permiten a cualquier auxiliar ajustarlas a un nivel que le resulte cómodo.



1. Para ajustar la altura de las empuñaduras, afloje el tornillo Ⓐ, empuje la empuñadura hasta la posición que desee y vuelva a apretar el tornillo.

### 3.6 Barra de estabilización para la parte trasera

Hay una barra de estabilización disponible para aumentar la rigidez del respaldo de las sillas de ruedas con anchos o altos de espalda de grandes dimensiones.

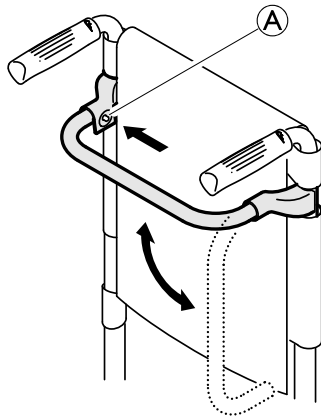


#### ¡ IMPORTANTE

- No intente levantar ni empujar la silla de ruedas por la barra de estabilización. Se podría romper.
- Desbloquee la barra de estabilización antes de plegar la silla de ruedas.



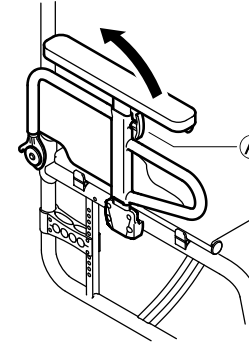
## Desbloqueo de la barra de estabilización



1. Empuje el pasador con muelle **A** de la sujeción del lado izquierdo y bascule la barra de estabilización hacia abajo.

La barra de estabilización también se puede quitar totalmente empujando los pasadores con muelle de ambos lados. Así se puede quitar la barra de estabilización.

## 3.7 Reposabrazos en el color del chasis, abatible y regulable en altura



### Abatimiento

1. Sujete el reposabrazos por el acolchado o el arco delantero y abátalo hacia atrás.

### Retirada

1. Abata hacia atrás el reposabrazos y tire hacia arriba para extraerlo del soporte en el respaldo.

### Colocación

1. Inserte el reposabrazos desde arriba en el soporte del respaldo.
2. Abátalo hacia abajo.

### Regulación de la altura

1. Inclinarse la palanca (A) de la parte delantera del apoyo y suba o baje el reposabrazos hasta la altura deseada.
2. Deje que la palanca se encaje.
3. Realice los ajustes a ambos lados.

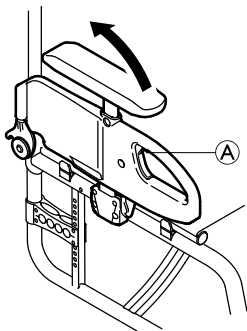


#### ¡PRECAUCIÓN!

El reposabrazos no se encaja en la silla de ruedas.

- No levante la silla de ruedas sujetándola por los apoyos laterales.

### 3.8 Reposabrazos con mecanismo de encaje, abatible y regulable en altura



#### Abatimiento

1. Oprima el mango gris (A) y abata el reposabrazos hacia atrás.

### Retirada

1. Abata hacia atrás el reposabrazos y tire hacia arriba para extraerlo del soporte en el respaldo.

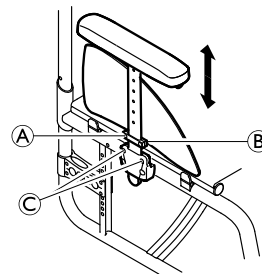
### Colocación

1. Inserte el reposabrazos desde arriba en el soporte del respaldo.
2. Abátalo hacia abajo.

### Ajuste de la altura

1. Suelte el tornillo del centro del reposabrazos con ayuda de un destornillador.
2. Suba o baje el apoyabrazos hasta la altura deseada.
3. Fije el tornillo.
4. Realice los ajustes a ambos lados.

### 3.9 Reposabrazos, con ajuste en altura infinito, sin bloqueo





**¡ADVERTENCIA!**  
**Riesgo de lesiones**

Los reposabrazos no están bloqueados y se pueden extraer fácilmente tirando hacia arriba.

- No levante o traslade la silla de ruedas sujetándola por los reposabrazos.
- No use los reposabrazos para transportar la silla de ruedas al subir o bajar escaleras.

**Desmontaje**

1. Tire del reposabrazos por el cojín del brazo para retirarlo del soporte.
2. Para ajustar la facilidad o dificultad de extracción del reposabrazos de su soporte, apriete o afloje los tornillos ©.

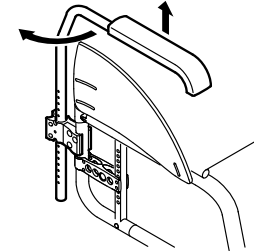
**Montaje**

1. Inserte el reposabrazos en el soporte.

**Ajuste de la altura**

1. Afloje el tornillo Ⓐ de la placa de sujeción Ⓑ.
2. Mueva el reposabrazos hacia arriba o hacia abajo hasta que llegue a la altura que desee.
3. Apriete el tornillo Ⓐ.
4. Realice el ajuste en ambos lados.

**3.10 Reposabrazos simple, con ajuste en altura infinito, giro, sin bloqueo**



**¡ADVERTENCIA!**  
**Riesgo de lesiones**

Los reposabrazos no están bloqueados y se pueden extraer fácilmente tirando hacia arriba.

- No levante o traslade la silla de ruedas sujetándola por los reposabrazos.
- No use los reposabrazos para transportar la silla de ruedas al subir o bajar escaleras.

**Desmontaje**

1. Levante el reposabrazos y tire de él hacia arriba hasta extraerlo del soporte.

**Montaje**

1. Inserte el reposabrazos en el soporte.

**Ajuste de la altura**

1. Tire del reposabrazos hasta extraerlo del soporte.
2. Afloje el tornillo del tubo del reposabrazos y vuelva a apretarlo a la altura deseada.

3. Inserte de nuevo el reposabrazos en el soporte.
4. Realice el ajuste en ambos lados.

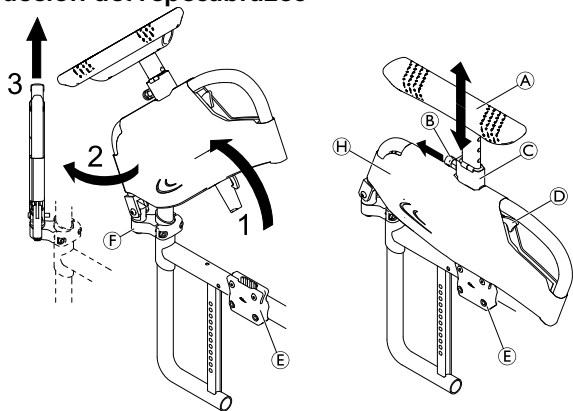
## Giro

1. Levante el reposabrazos un poco y gírelo hacia fuera.

### 3.11 Reposabrazos Kuschall

El reposabrazos opcional se bloquea en su lugar y puede echarse hacia atrás, girarse hacia fuera y extraerse. La almohadilla del reposabrazos T se puede ajustar en altura y también se bloquea en su lugar.

#### Extracción del reposabrazos



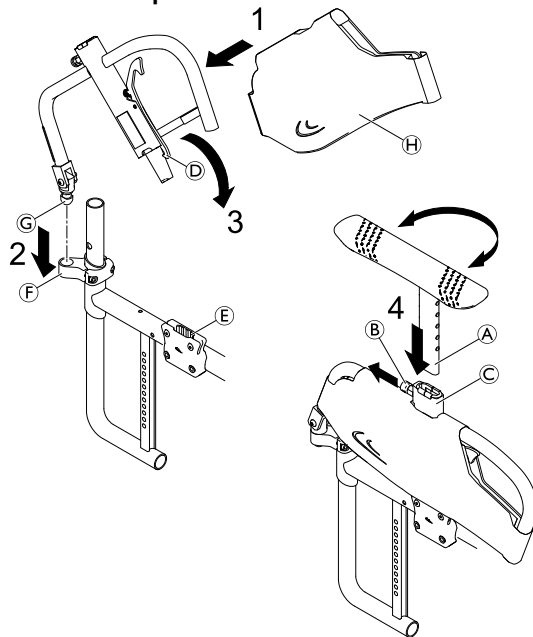
1. Presione la palanca de liberación D y gire el conjunto del reposabrazos hacia arriba para extraerlo del soporte E.
2. Gire el conjunto del reposabrazos 45° hacia fuera.
3. Tire del conjunto del reposabrazos hacia arriba para extraerlo de la junta F.

#### Extracción de la funda


La funda se puede extraer para lavarla en la lavadora a 30° C.

1. Tire del cierre pasador con muelle B, agarre la almohadilla del reposabrazos T A y tire de ella hacia arriba para extraerla del soporte C.
2. Para extraer la funda H del conjunto del reposabrazos, abra las cinchas de velcro en ambos lados.

#### Instalación del reposabrazos



1. Coloque la funda del reposabrazos **H** en el conjunto del reposabrazos si todavía no está montada.
2. Inserte el pasador de la junta **G** del conjunto del reposabrazos en la junta **F** hasta que encaje con un "clic".
3. Gire el conjunto del reposabrazos hacia abajo en el soporte del reposabrazos **E** hasta que el gancho de la palanca de liberación **D** encaje con un "clic".
4. Tire del cierre pasador con muelle **B** e inserte la barra de la almohadilla del reposabrazos **T** **A** en el soporte **C** hasta la altura deseada.

 La almohadilla del reposabrazos **T** puede insertarse y girarse 180° de forma opcional.

5. Suelte el cierre pasador con muelle para que la barra de la almohadilla del reposabrazos **T** se acople en el orificio más cercano con un "clic".

### Ajuste de altura

1. Tire del cierre pasador con muelle **B** y mueva la almohadilla del reposabrazos **A** a la altura deseada.
2. Suelte el cierre pasador con muelle para que se acople en el orificio más cercano con un "clic".



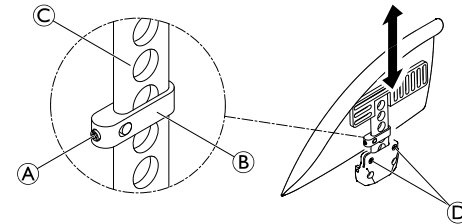
### ¡ADVERTENCIA! Riesgo de lesiones

Aunque los reposabrazos estén bloqueados, no están diseñados para llevar el peso de la silla de ruedas ocupada.

- Nunca utilice los reposabrazos para levantar la silla de ruedas.
- No use los reposabrazos para transportar la silla de ruedas al subir o bajar escaleras.

### 3.12 Guardabarros

Para evitar que la suciedad adherida a las ruedas se disperse en sentido ascendente, se puede montar un guardabarros extraíble. La posición del guardabarros se puede ajustar. Este ajuste deberá realizarlo un distribuidor especialista.





**¡ADVERTENCIA!**  
**Riesgo de lesiones**

Los guardabarros no están bloqueados y se pueden extraer fácilmente tirando hacia arriba.

- No levante o traslade la silla de ruedas sujetándola por los guardabarros.
- No use los guardabarros para transportar la silla de ruedas al subir o bajar escaleras.

**Desmontaje**

1. Tire del guardabarros hacia arriba hasta extraerlo del soporte.
2. Para ajustar la facilidad o dificultad con la que se extraiga el guardabarros de su soporte, apriete o afloje los tornillos Ⓓ.

**Instalación**

1. Inserte el guardabarros en el soporte.

**Ajuste de altura**

1. Afloje ligeramente el tornillo sin cabeza Ⓐ en la pieza de sujeción Ⓑ.
2. Mueva la pieza de sujeción hacia arriba o hacia abajo en el perfil Ⓒ a la altura deseada.
3. Vuelva a apretar el tornillo sin cabeza.
4. Realice el ajuste en ambos lados.

**3.13 Dispositivo antivuelco**

Un dispositivo antivuelco evita que la silla de ruedas se vuelque hacia atrás.



**¡ADVERTENCIA!**  
**Riesgo de caída**

Si los dispositivos antivuelco están mal ajustados o han dejado de funcionar, puede producirse una caída.

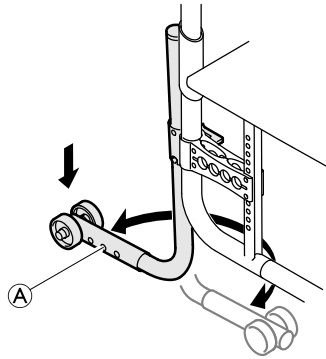
- Compruebe siempre que el dispositivo antivuelco funcione antes de utilizar la silla de ruedas y solicite a un distribuidor especialista que lo ajuste o lo vuelva a ajustar cuando sea necesario.



**¡ADVERTENCIA!**  
**Riesgo de caída**

En terrenos irregulares o inestables, el dispositivo antivuelco puede hundirse en baches o directamente en el suelo, lo cual reduce o anula su función de seguridad.

- Utilice el dispositivo antivuelco solamente en terrenos llanos y firmes.



### Activación del dispositivo antivuelco

1. Empuje el dispositivo antivuelco hacia abajo del todo y gírelo hacia atrás hasta que encaje.



#### ¡ADVERTENCIA! Riesgo de volcado

El dispositivo antivuelco activado puede bloquearse al salvar un escalón o un borde.

- Desactive siempre el dispositivo antivuelco antes de pasar sobre un escalón o un bordillo.

### Desactivación del dispositivo antivuelco

1. Empuje el dispositivo antivuelco hacia abajo del todo y gírelo hacia delante hasta que encaje.

### Ajuste de la altura

1. Presione el pasador con muelle **A** en el dispositivo antivuelco y empuje la sección exterior hasta la posición necesaria. Deje que el pasador con muelle se acople en el orificio más cercano.



Si es necesario realizar ajustes adicionales de la altura o la posición, consulte a su distribuidor especialista.

## 3.14 Ruedas


La presión idónea depende del tipo de rueda:


La tabla siguiente es orientativa. Si la rueda es distinta de las de la lista, compruebe la información que figura en el lateral de la rueda. Normalmente, ahí se indica la presión máxima.

Rueda	Presión máx.		
Rueda de perfil	7 bares	700 kPa	101 psi
Schwalbe® Marathon Plus	10 bares	1000 kPa	145 psi
Schwalbe® One	10 bares	1000 kPa	145 psi
Schwalbe® Rightrun	10 bares	1000 kPa	145 psi
Rueda compacta, perfil, gris	-	-	-
Rueda compacta (tipo KIK), negra	-	-	-
Rueda ligera, compacta	-	-	-



La compatibilidad de las ruedas indicadas anteriormente depende de la configuración o del modelo de la silla de ruedas.

 En caso de sufrir un pinchazo en una rueda, acuda a un taller idóneo (por ejemplo, un establecimiento de reparaciones de bicicletas, distribuidor de bicicletas, etc.) para que una persona cualificada sustituya el tubo.

 El tamaño de la rueda se menciona en el lateral de esta. El cambio de las ruedas adecuadas lo deberá realizar un distribuidor especialista.



#### **¡PRECAUCIÓN!**

– La presión de los neumáticos deberá ser igual en ambas ruedas para evitar que se reduzca la comodidad de la conducción, para que el freno de estacionamiento siga funcionando correctamente y para lograr una propulsión fluida de la silla de ruedas.

### **3.15 Cojín del asiento**

Se requiere un cojín adecuado para proporcionar una distribución de la presión uniforme en el asiento.



#### **¡PRECAUCIÓN!**

Si añade un cojín al asiento, elevará su altura con respecto al suelo, lo que puede afectar a su estabilidad en todas las direcciones. Si se cambia un cojín, también podría variar la estabilidad del usuario. Si se cambia el espesor del cojín, un distribuidor especialista deberá realizar una configuración completa de la silla de ruedas.

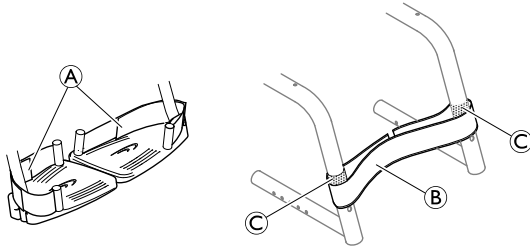


Utilice un cojín con un tejido base antideslizante o enganche unas cintas de sujeción para evitar que el cojín del asiento se deslice. La funda del asiento lleva pegada una cinta de velcro.

### **3.16 Correa para la pantorrilla/anillas de talones**

En los reposapiernas de la silla de ruedas se puede instalar una correa para la pantorrilla o anillas de talones para mejorar la posición de las piernas de los usuarios.





### **Ajuste de las anillas de talones**

1. Ajuste las anillas de talones **A** hasta la profundidad deseada con las cinchas de velcro.

### **Fijación/ajuste de la correa para la pantorrilla**

1. Despliegue por completo la silla de ruedas.
2. Fije y ajuste la correa para la pantorrilla **B** cerrando sus cinchas de velcro **C** en ambas partes del chasis.

## 4 ACCESORIOS

### 4.1 Cinturón postural

La silla de ruedas puede equiparse con un cinturón postural. Este cinturón evitará que el usuario se deslice hacia abajo o caiga de la silla de ruedas. El cinturón postural no es un dispositivo de posicionamiento.

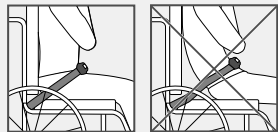


#### ¡ADVERTENCIA!

#### Riesgo de lesiones graves/estrangulación

Si el cinturón queda suelto, es posible que el usuario se deslice hacia abajo y se genere un riesgo de estrangulación.

- Un técnico cualificado debe instalar el cinturón postural y la persona que lo prescribe debe ajustarlo.
- Asegúrese siempre de que el cinturón postural está bien ajustado en la parte inferior de la pelvis.
- Cada vez que utilice el cinturón postural, compruebe si está correctamente ajustado. Si se cambia el ángulo del asiento o del respaldo, el cojín o incluso la ropa, se verá afectado el ajuste del cinturón.



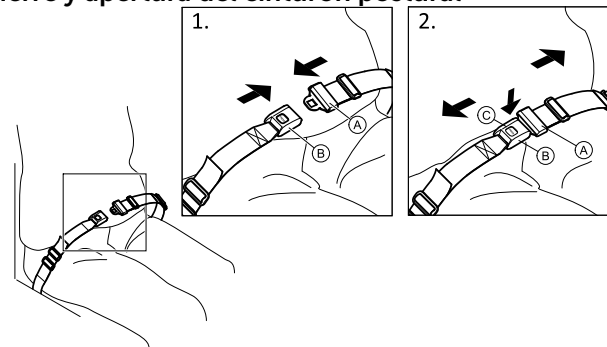
#### ¡ADVERTENCIA!

#### Riesgo de lesiones graves durante el transporte

En un vehículo, el usuario en la silla de ruedas se debe sujetar con un cinturón de seguridad (cinturón de 3 puntos). El cinturón postural no es suficiente como dispositivo de sujeción individual.

- Utilice el cinturón postural como complemento, no como sustituto del cinturón de seguridad de 3 puntos a la hora de transportar al usuario de silla de ruedas en un vehículo.


#### Cierre y apertura del cinturón postural

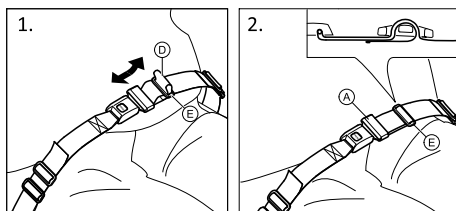


Procure sentarse con la espalda completamente apoyada en el asiento y con la pelvis en una posición lo más vertical y simétrica posible.

1. Para cerrarlo, inserte el cierre **A** en la hebilla **B**.
2. Para abrirlo, pulse el botón PRESS **C** y tire del cierre **A** para sacarlo de la hebilla **B**.

### Ajuste de la longitud

 El cinturón postural tendrá la longitud adecuada si hay suficiente espacio para deslizar una mano paralela al cuerpo entre este y el cinturón.



1. Acorte o alargue el cinturón **D** según sea necesario.
2. Pase el cinturón **D** por el cierre **A** y la hebilla de plástico **E** hasta que quede ajustado.

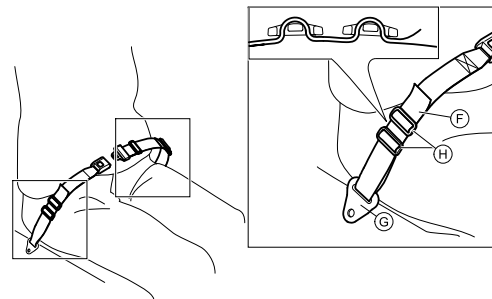
Si este ajuste no es suficiente, es posible que sea necesario volver a ajustar el cinturón postural en las fijaciones.

### Ajuste del cinturón postural en las fijaciones



#### ¡PRECAUCIÓN!

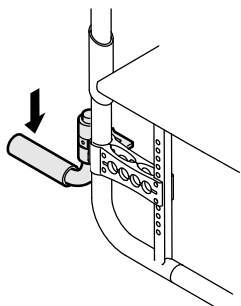
- Pase el cinturón por las hebillas de plástico para evitar que el cinturón quede suelto.
- Realice el ajuste en ambos lados por igual, de manera que la hebilla quede en la posición central.
- Asegúrese de que el cinturón no queda atrapado en los radios de la rueda trasera.



1. Haga pasar el cinturón **F** por la fijación de la silla **G** y, a continuación, por **AMBAS** hebillas de plástico **H**.

## 4.2 Pisapié

El pisapié permite al acompañante inclinar ligeramente la silla de ruedas, p. ej., para subir un escalón.



### ¡ADVERTENCIA! Peligro de caída

– El dispositivo basculante no debe rebasar el diámetro exterior de la rueda trasera.

1. Sujete con firmeza la silla por las empuñaduras.
2. Pise con un pie el pisapié y mantenga la silla de ruedas en posición inclinada hasta haber superado el obstáculo.

## 4.3 Bomba de inflar

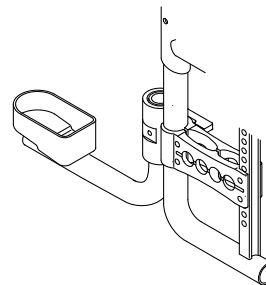
La bomba de inflar se suministra con un racor de válvula universal.

1. Levante la tapa antipolvo del racor de válvula.
2. Presione el racor en la válvula abierta de la rueda e inflela con la bomba.

## 4.4 Iluminación pasiva

Puede fijar reflectores a las ruedas traseras.

## 4.5 Soporte para bastones



### ¡ADVERTENCIA! Peligro de caída

– El soporte del bastón no debe rebasar el diámetro exterior de la rueda trasera.

1. Coloque el bastón en el soporte.
2. Fije el bastón en la parte superior del respaldo.

## 4.6 Ruedas transit

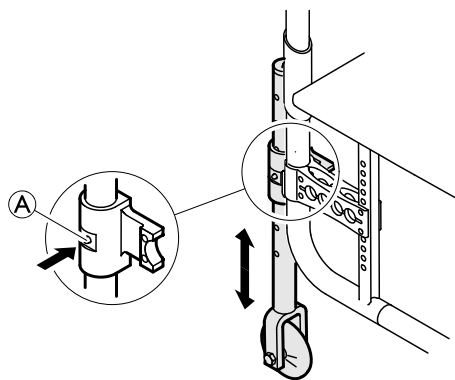
Si la silla de ruedas es demasiado ancha para ciertos lugares, como trenes o aviones, pasillos estrechos o puertas estrechas, puede usar las ruedas transit.



### ¡ADVERTENCIA!

#### Riesgo de accidentes graves

- Con las ruedas transit, los frenos de estacionamiento dejan de tener efecto y no se puede controlar la silla de ruedas con los aros de empuje.



### Cambio a ruedas transit

1. Baje las ruedas transit a la posición de funcionamiento. Para ello, presione el pasador **A** hacia dentro hasta que pueda tirar del tubo hacia abajo.
2. Presione el segundo pasador hacia dentro.

3. Siga tirando del tubo hacia abajo hasta que el pasador se enganche en la ranura.
4. Sitúe la silla de ruedas junto a un objeto estable (marco de una puerta, mesa pesada) que pueda utilizar de apoyo y agárrese bien a dicho objeto con una mano.
5. Inclíne la silla de ruedas hasta que la rueda trasera del lado opuesto se levante del suelo.



Antes de retirar las ruedas traseras, no deberá haber una distancia de más de 2 cm entre las ruedas transit bajadas y el suelo.

6. Retire la rueda trasera, **® 7.3 Desmontaje y colocación de las ruedas traseras, página100**
7. Repita el proceso en el otro lado.

### Cambio de ruedas transit a ruedas traseras

1. Sitúe la silla de ruedas junto a un objeto estable que pueda utilizar de apoyo y agárrese bien a dicho objeto con una mano.
2. Inclíne la silla de ruedas hasta que la rueda transit del lado opuesto se levante ligeramente del suelo.
3. Vuelva a montar la rueda trasera en el eje extraíble, **® 7.3 Desmontaje y colocación de las ruedas traseras, página100**
4. Vuelva a ajustar las ruedas transit en la posición inactiva.
5. Repita el proceso en el otro lado.

## 4.7 Portaequipajes

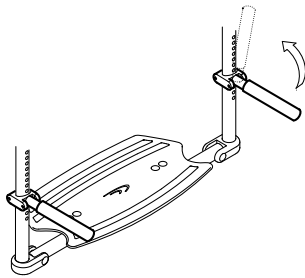
La silla de ruedas puede equiparse con un portaequipajes. Cuando no se utilice, el portaequipajes podrá plegarse.



### ¡ADVERTENCIA! Riesgo de volcado

La colocación de peso sobre el portaequipajes puede cambiar el comportamiento de volcado de la silla de ruedas. La silla de ruedas puede volcar hacia delante con mayor facilidad cuando el portaequipajes está cargado.

- Utilice el portaequipajes únicamente para transportar equipaje pequeño y ligero.
- Evite conducir la silla de ruedas demasiado deprisa cuando transporte equipaje.
- Evite conducir por rampas y pendientes cuando transporte equipaje.
- No se ponga de pie sobre el portaequipajes.



---

## 5 INSTALACIÓN

---

### 5.1 Información sobre seguridad



**¡PRECAUCIÓN!**  
**Riesgo de lesiones**

- Antes de usar la silla de ruedas, compruebe su estado general y sus funciones principales, *8.2 Programa de mantenimiento, página 108*

Su distribuidor especialista le suministrará la silla de ruedas lista para usar. Su distribuidor le explicará las funciones principales y se asegurará de que la silla de ruedas cubra sus necesidades y cumpla sus requisitos.

Solamente un distribuidor especialista podrá realizar los ajustes de la posición del eje y de los apoyos de las ruedas delanteras.

Si recibe su silla de ruedas plegada, lea la sección *7.2 Plegado y desplegado de la silla de ruedas, página 99*.

## 6 CONDUCCIÓN DE LA SILLA DE RUEDAS

### 6.1 Información sobre seguridad



#### ¡ADVERTENCIA!

##### Riesgo de accidentes

Una presión de los neumáticos no uniforme puede afectar en gran medida al manejo.

- Compruebe la presión de los neumáticos antes de cada trayecto.



#### ¡ADVERTENCIA!

##### Riesgo de caída de la silla de ruedas

Si se utilizan unas ruedas delanteras pequeñas, la silla de ruedas podría quedarse atascada en los bordillos o las grietas del suelo.

- Asegúrese de que las ruedas delanteras sean las idóneas para la superficie en la que vaya a utilizar la silla de ruedas.



#### ¡PRECAUCIÓN!

##### Riesgo de aplastamiento

Puede haber un hueco muy pequeño entre la rueda trasera y el guardabarros o el freno de estacionamiento, lo que supone un riesgo de atraparse los dedos.

- Procure impulsar la silla de ruedas únicamente con los aros de propulsión.

En muy raras ocasiones, los materiales de la silla de ruedas pueden activar sistemas antirrobo y de detección de metales.

### Sistemas antirrobo y de detección de metales



## 6.2 Frenado durante el uso

Mientras se traslada, puede frenar transmitiendo fuerza al aro de empuje con sus manos.



### ¡ADVERTENCIA! Riesgo de caída

Si acciona los frenos de estacionamiento con la silla en movimiento, puede perder el control sobre la dirección del movimiento y es posible que la silla de ruedas se detenga bruscamente, lo cual puede provocar una colisión o una caída.

- No accione nunca los frenos de estacionamiento mientras la silla esté en movimiento.



### ¡ADVERTENCIA! Riesgo de caída de la silla de ruedas

Si el auxiliar que tira de las empuñaduras de la silla de ruedas la desacelera rápidamente, el usuario podría caer de la silla de ruedas.

- En caso de que disponga de un cinturón postural, colóquelo siempre.
- Asegúrese de que el auxiliar haya recibido formación individual en el traslado de sillas de ruedas ocupadas.



### ¡PRECAUCIÓN! Riesgo de quemaduras en las manos

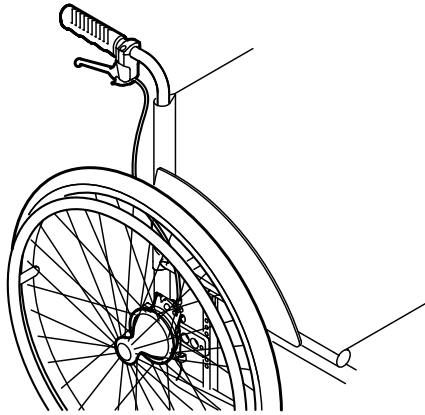
Si frena durante mucho tiempo, se genera mucho calor de fricción en los aros de empuje (sobre todo con las marcas MaxGrepp y Supergripp).

- Use guantes adecuados.

1. Sujete los aros de empuje y presione uniformemente con ambas manos hasta que se detenga la silla de ruedas.

### Frenado con un auxiliar

Con el freno del auxiliar (freno de tambor) un auxiliar puede frenar la silla de ruedas mientras está en movimiento. El freno del auxiliar también puede utilizarse como freno de estacionamiento.



1. Para frenar, apriete la palanca del freno situada en la empuñadura.
2. Para estacionar, apriete con fuerza la palanca del freno hasta que encaje la palanca de seguridad.
3. Para soltar el freno, tire de la palanca del freno y libere la palanca de seguridad situada debajo de la palanca del freno.

### 6.3 Subida y bajada de la silla de ruedas



#### **¡ADVERTENCIA!**

##### **Riesgo de caída**

Existe un gran riesgo de caída durante el traslado.

- Siéntese y levántese de la silla sin ayuda solo si es físicamente capaz de hacerlo.
- En los traslados, colóquese lo más atrás posible en el asiento. De esta forma se evitará que se dañe la tapicería y la posibilidad de que la silla de ruedas vuelque hacia delante.
- Asegúrese de que ambas ruedas giratorias estén situadas en posición recta y hacia delante.



#### **¡ADVERTENCIA!**

##### **Riesgo de caída**

La silla de ruedas podría volcar hacia delante si se pone de pie sobre los reposapiés.

- No se ponga nunca de pie sobre los reposapiés al sentarse y levantarse de la silla.



#### **¡PRECAUCIÓN!**

Si suelta o daña los frenos, la silla de ruedas podría rodar de manera descontrolada.

- No se apoye sobre los frenos al sentarse y levantarse de la silla.

**!** **IMPORTANTE**

Los guardabarros y reposabrazos podrían sufrir daños.

- No se siente nunca sobre los guardabarros o reposabrazos al sentarse y levantarse de la silla.



1. Acerque la silla de ruedas lo más cerca posible del asiento al que quiera desplazarse.
2. Accione los frenos de estacionamiento.
3. Extraiga los reposabrazos o súbalos para apartarlos.
4. Desmunte los reposapiernas o apártelos hacia fuera.
5. Ponga los pies en el suelo.
6. Sujete la silla de ruedas y, si es necesario, sujétese también a un objeto fijo de las inmediaciones.
7. Muévase con lentitud hacia la silla.

**6.4 Desplazamiento y conducción de la silla de ruedas**

Debe empujar la silla de ruedas con los aros de empuje. Antes de desplazarse sin la ayuda de un auxiliar, debe hallar el punto de volcado de la silla de ruedas.

**¡ADVERTENCIA!  
Riesgo de volcado**

La silla de ruedas puede volcar hacia atrás si se equipa con un dispositivo antivuelco. A la hora de hallar el punto de volcado, debe haber un auxiliar situado inmediatamente detrás de la silla de ruedas para que pueda agarrarla en caso de que vuelque.

- Para impedir que vuelque, instale un dispositivo antivuelco.

**¡ADVERTENCIA!  
Riesgo de volcado**

La silla de ruedas puede volcar hacia delante.

- Durante el montaje de la silla de ruedas, pruebe el comportamiento en cuanto al volcado hacia delante se refiere y realice los ajustes necesarios conforme al estilo de conducción.

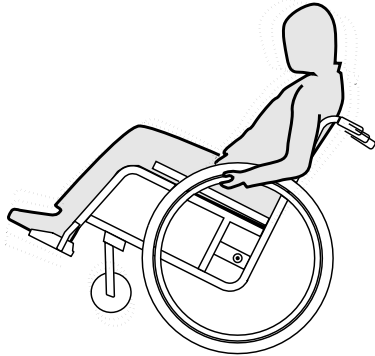


### ¡PRECAUCIÓN!

Situar una carga pesada en el respaldo puede repercutir en el centro de gravedad de la silla de ruedas.

- Cambie el estilo de desplazamiento en consecuencia.

### Hallar el punto de volcado



1. Suelte el freno.
2. Desplácese hacia atrás a una distancia corta, agarre ambos aros de empuje con firmeza e impulse hacia delante con un leve puntapié.
3. El cambio que se produce al llevar el peso en dirección opuesta a donde se están dirigiendo las ruedas con los aros de empuje facilitará la identificación del punto de volcado.

## 6.5 Desplazamiento con escalones y descansillos



### ¡ADVERTENCIA!

#### Peligro de caída

Al bajar escalones puede perder el equilibrio y volcar con su silla de ruedas.

- Baje siempre despacio y con cuidado por escalones como bordillos y descansillos.
- No baje nunca por escalones con una altura superior a 25 cm.



### ¡PRECAUCIÓN!

El dispositivo antivuelco impide que la silla de ruedas bascule hacia atrás.

- Desactive el dispositivo antivuelco antes de marchar por escalones o descansillos.

## Con acompañante



## Bajada de un escalón

1. Lleve la silla de ruedas justo hasta el borde y agarre los aros propulsores.
2. El acompañante sujeta las dos empuñaduras, coloca un pie en el dispositivo basculante (si está montado) e inclina la silla de ruedas hacia atrás de manera que las ruedas delanteras se eleven del suelo.
3. El acompañante mantiene la silla de ruedas en esta posición, la desplaza con cuidado hacia abajo del escalón e inclina la silla de ruedas hacia delante hasta que las ruedas delanteras vuelvan a tocar el suelo.

## Subida de un escalón



### ¡ADVERTENCIA!

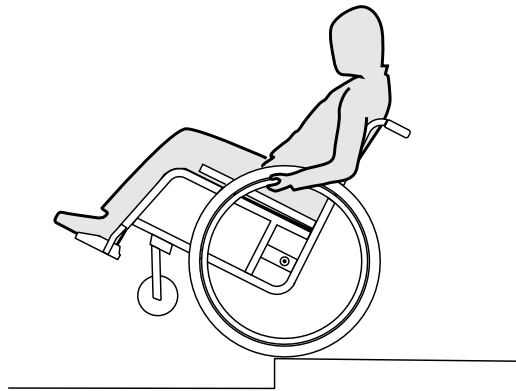
#### Riesgo de lesiones graves

Subir escalones y bordillos puede provocar que los frenos del respaldo de la silla de ruedas fallen antes de lo previsto. El usuario podría caer de la silla de ruedas.

- Utilice siempre un pisapié cuando ascienda escalones o bordillos.

1. Mueva la silla de ruedas marcha atrás hasta que las ruedas traseras queden en el borde.
2. El acompañante inclina la silla de ruedas con las dos empuñaduras hasta que las ruedas delanteras se eleven del suelo y desplaza las ruedas traseras por encima del borde hasta que las ruedas delanteras también se puedan bajar.

## Sin acompañante



## Bajada de un escalón

1. Lleve la silla de ruedas justo hasta el borde, eleve las ruedas delanteras y mantenga el equilibrio.
2. Ahora, desplace lentamente las ruedas traseras por encima del borde. Al hacerlo, sujete con firmeza los aros propulsores con las manos hasta que las ruedas delanteras vuelvan a tocar el suelo.



### ¡ADVERTENCIA!

#### Peligro de vuelco

Si baja un escalón sin acompañante, puede bascular hacia atrás en exceso si no domina su silla de ruedas.

- Aprenda primero cómo bajar un escalón con un acompañante.
- Aprenda a balancearse sobre las ruedas traseras, *6.4 Desplazamiento y conducción de la silla de ruedas, página 91.*

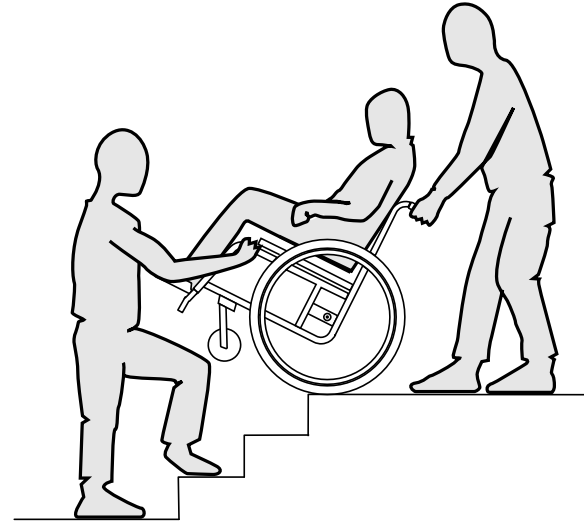
## 6.6 Bajar escaleras



### ¡ADVERTENCIA! Peligro de caída

Al bajar escaleras puede perder el equilibrio y volcar con su silla de ruedas.

- Baje escaleras de más de un escalón únicamente en compañía de 2 personas.



1. Las escaleras se pueden sortear tomando como se ha descrito anteriormente un escalón tras otro. Para ello, el primer acompañante se sitúa tras la silla de ruedas y la sujeta por las empuñaduras. El segundo acompañante sujeta una parte fija del chasis delantero y de esta forma asegura la silla de ruedas por delante.

## 6.7 Conducción sobre rampas y pendientes



### ¡ADVERTENCIA!

#### Peligro por marcha incontrolada

En pendientes ascendentes o descendentes, su silla de ruedas puede volcar hacia atrás, hacia los lados o hacia delante.

- En pendientes largas, hágalo únicamente con un acompañante tras la silla de ruedas.
- Evite la inclinación lateral.
- Evite las pendientes de más de 7°.
- Evite los cambios de dirección bruscos en pendientes.



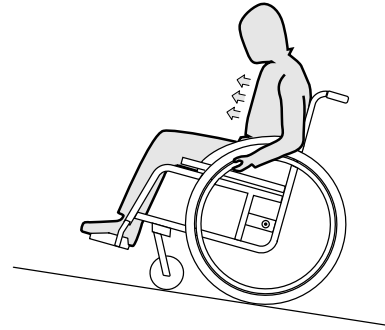
### ¡PRECAUCIÓN!

Su silla de ruedas también puede desplazarse involuntariamente sobre un terreno accidentado si no la controla mediante los aros propulsores.

- Accione los frenos de estacionamiento cuando se detenga sobre un terreno accidentado con su silla de ruedas.

### Sentido ascendente

Para conducir en sentido ascendente, debe impulsarse, mantener el impulso y, a la vez, controlar la dirección.

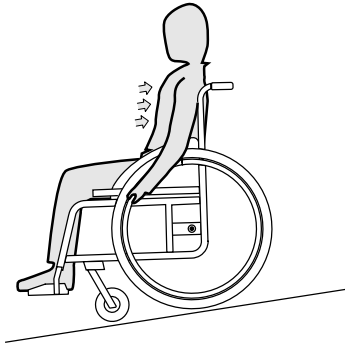


1. Incline el torso hacia delante e impulse la silla de ruedas empujando los dos aros propulsores con rapidez y fuerza.



## Sentido descendente

Al conducir en sentido descendente es importante controlar la dirección y sobre todo la velocidad.



1. Reclínese y deje que los aros propulsores se deslicen por las manos de forma cuidadosa. Debería poder parar la silla de ruedas en cualquier momento deteniendo los aros propulsores.



### ¡PRECAUCIÓN!

#### Riesgo de quemaduras en las manos

Los aros propulsores (en especial los MaxGrepp y Supergripp) pueden calentarse si frena durante un tiempo prolongado y podría sufrir quemaduras en las palmas de las manos.

- Lleve guantes apropiados.

## 6.8 Estabilidad y equilibrio al estar sentado

Algunas actividades y acciones cotidianas requieren inclinarse hacia fuera de la silla de ruedas, hacia delante, hacia los lados o hacia atrás. Esto tiene una gran influencia en la estabilidad de la silla de ruedas. Para poder mantener el equilibrio en todo momento, tenga en cuenta lo siguiente:

### Inclinación hacia delante

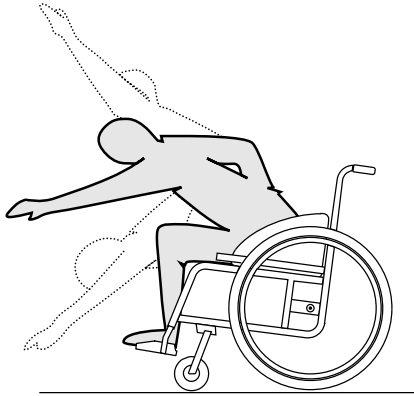


#### ¡ADVERTENCIA!

#### Peligro por vuelco hacia fuera

Si se inclina hacia delante por fuera de la silla de ruedas puede caerse.

- No se incline nunca demasiado hacia delante ni se deslice en su asiento para alcanzar un objeto.
- No se incline hacia abajo entre las rodillas para levantar algo del suelo.



1. Oriente las ruedas delanteras hacia delante. (Para ello, mueva su silla un poco hacia delante y retroceda a continuación.)
2. Fije los dos frenos de estacionamiento.
3. Inclínese hacia delante sólo hasta una posición en la que su torso quede sobre las ruedas delanteras.

### Extensión de los brazos hacia atrás para coger objetos

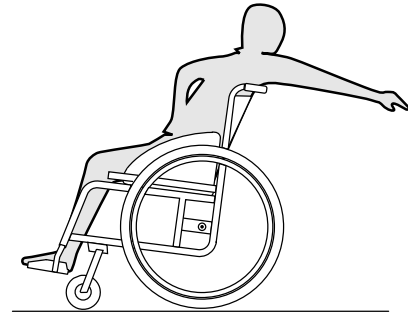


#### ¡ADVERTENCIA!

#### Peligro por vuelco hacia fuera

Si se inclina demasiado hacia atrás, puede volcar junto con la silla de ruedas.

- No se incline más allá del respaldo.
- Utilice un dispositivo antivuelco.



1. Oriente las ruedas delanteras hacia delante. (Para ello, mueva su silla un poco hacia delante y retroceda a continuación.)
2. Accione los frenos de estacionamiento.
3. Extienda el brazo hacia atrás únicamente hasta donde pueda sin cambiar la posición de asiento.

## 7 TRANSPORTE

### 7.1 Información sobre seguridad



#### ¡ADVERTENCIA!

#### **Peligro de lesiones si la silla de ruedas no se fija de la forma adecuada**

En caso de accidente, frenazo, etc., algunas piezas de la silla de ruedas pueden salir despedidas y provocar lesiones graves.

- Quite siempre las ruedas traseras cuando transporte la silla de ruedas.
- Fije con firmeza todos los componentes de la silla de ruedas en los medios de transporte para evitar que se suelten durante el trayecto.



#### ¡IMPORTANTE

Una abrasión y un desgaste excesivos podrían afectar a las piezas que soportan carga.

- No tire de la silla de ruedas por superficies abrasivas sin las ruedas montadas (p. ej., tirar del chasis sobre asfalto).

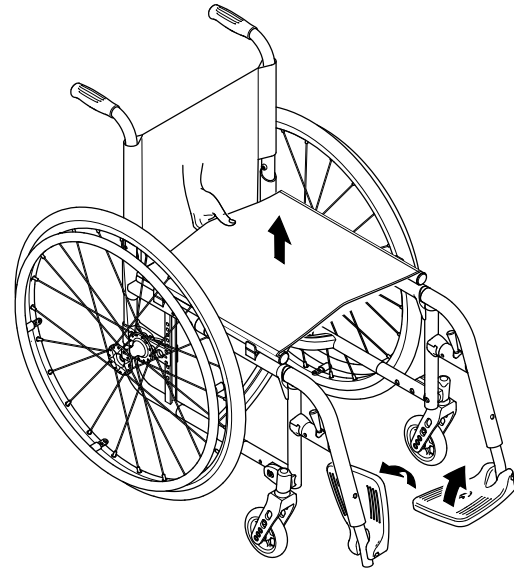
### 7.2 Plegado y desplegado de la silla de ruedas



#### ¡IMPORTANTE

- No plegue y despliegue la silla de ruedas cuando el respaldo esté abatido.

### Plegado de la silla de ruedas



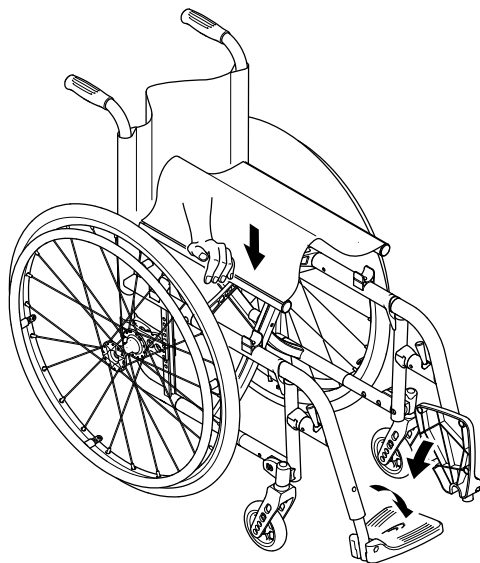
#### ¡IMPORTANTE

- Desbloquee la barra de estabilización, si dispone de ella, antes de plegar la silla de ruedas.

1. De haberlo, quite el cojín del asiento.
2. Plegue los reposapiés hacia arriba.

3. Tire de la funda del asiento hacia arriba.
4. Ahora podrá plegar el respaldo hacia abajo, si la silla de ruedas dispone de un respaldo abatible.

### Desplegado de la silla de ruedas



#### ¡PRECAUCIÓN!

##### Riesgo de atrapamiento de los dedos

Existe el riesgo de que los dedos se queden atrapados entre el borde del asiento y el chasis.  
– Nunca sujete el borde del asiento con los dedos.

1. Coloque la silla de ruedas cerca de usted.
2. Si el respaldo está abatido, despléguelo.
3. Si es posible, incline la silla de ruedas suavemente hacia usted.
4. Con la palma de la mano, presione el borde del asiento más cercano a usted lo máximo que pueda para que la superficie del asiento se aplane.
5. Ponga de nuevo la silla de ruedas en el suelo y compruebe que los bordes del asiento de ambos lados estén entre los componentes de la guía.
6. Pliegue los reposapiés hacia abajo.

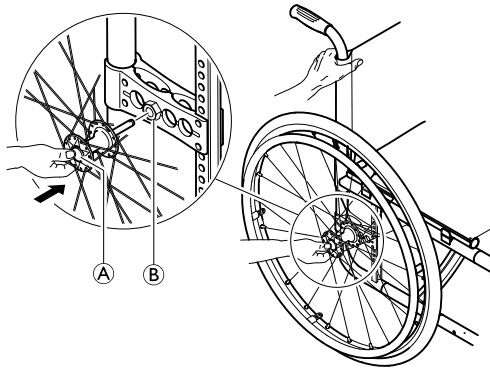
### 7.3 Desmontaje y colocación de las ruedas traseras



#### ¡ADVERTENCIA!

##### Riesgo de caída

Si el eje extraíble de la rueda trasera no está encajado por completo, la rueda se puede soltar durante la marcha, lo que podría provocar una caída.  
– Después de montar una rueda, asegúrese de que los ejes extraíbles estén completamente encajados.



### Desmontaje de las ruedas traseras

1. Desacople los frenos de estacionamiento.
2. Mantenga la silla de ruedas en posición vertical con una mano.
3. Con la otra mano, sujete la rueda a través de la llanta de radios externa alrededor del cubo de la rueda.
4. Presione con el pulgar el botón del eje extraíble (A). Manténgalo presionado y saque la rueda del manguito adaptador (B).

### Colocación de las ruedas traseras

1. Desacople los frenos de estacionamiento.
2. Mantenga la silla de ruedas en posición vertical con una mano.
3. Con la otra mano, sujete la rueda a través de la llanta de radios externa alrededor del cubo de la rueda.
4. Con el pulgar, mantenga presionado el botón del eje extraíble (A).

5. Introduzca el eje en el manguito adaptador (B) hasta el tope.
6. Suelte el botón de eje extraíble y asegúrese de que la rueda quede bien sujeta.

## 7.4 Transporte de la silla de ruedas ocupada en un vehículo

Aunque la silla de ruedas esté bien sujeta y se cumplan las normas que indicaremos a continuación, los pasajeros podrían sufrir lesiones a causa de una colisión o de una parada brusca. Por lo tanto, Invacare recomienda encarecidamente que coloque al usuario de la silla de ruedas en el asiento del vehículo con el cinturón abrochado. No modifique ni sustituya ninguna parte de la silla de ruedas (estructura, chasis o piezas) sin el consentimiento escrito de Invacare. La silla de ruedas se ha probado de forma satisfactoria según los requisitos de la norma ISO 7176-19.



### ¡ADVERTENCIA!

#### Riesgo de lesión grave o muerte

Para utilizar la silla de ruedas como asiento en un vehículo, la altura del respaldo deberá colocarse al menos a 400 mm.

Para transportar a un usuario de silla de ruedas en un vehículo, se deberá tener instalado un sistema de fijación en el vehículo. Las fijaciones de la silla de ruedas y los sistemas de fijación del ocupante se deberán aprobar según la norma ISO 10542-1. Póngase en contacto con su representante local de Invacare o con el distribuidor especialista para obtener más información sobre cómo

conseguir e instalar un sistema de fijación compatible y aprobado.



**¡ADVERTENCIA!**

Si, por alguna razón, es imposible colocar a un usuario de silla de ruedas en el asiento del vehículo, la silla de ruedas se podrá usar como asiento del vehículo si se cumplen los procedimientos y las normas que se indican a continuación. Se deberá montar un kit de transporte (opcional) en la silla de ruedas con este fin.

- La silla de ruedas se deberá sujetar al vehículo con un sistema de fijación de 4 puntos.
- El usuario se deberá sujetar al vehículo con un sistema de fijación para pasajeros de 3 puntos.



**¡ADVERTENCIA!**

Los mecanismos de fijación de seguridad se deberán utilizar exclusivamente cuando el peso del usuario de la silla de ruedas sea de 22 kg o más (ISO-7176-19).

- No utilice la silla de ruedas como asiento en un vehículo si el peso del usuario es inferior a 22 kg.



**¡ADVERTENCIA!**

- Antes de comenzar el trayecto, póngase en contacto con el transportista y pídale información acerca de las características del equipo requerido que se indica a continuación.
- Asegúrese de que haya suficiente espacio libre alrededor de la silla de ruedas y del usuario para evitar que este entre en contacto con otros ocupantes del vehículo, con partes no acolchadas del vehículo, con accesorios de la silla de ruedas o con los puntos de anclaje del sistema de fijación.



**¡ADVERTENCIA!**

- Asegúrese de que los puntos de sujeción de la silla de ruedas no estén estropeados y de que los frenos de estacionamiento funcionen perfectamente.
- Se recomienda utilizar neumáticos a prueba de pinchazos durante el transporte para evitar problemas con los frenos como consecuencia de una presión de los neumáticos insuficiente.



### ¡ADVERTENCIA!

Los componentes o los accesorios sueltos de la silla de ruedas pueden ocasionar lesiones o daños si se produce una colisión o una parada brusca.

- Asegúrese de que todos los componentes y los accesorios desmontables o extraíbles de la silla de ruedas se retiren y se guarden en un lugar seguro del vehículo.
- Después de un accidente, una colisión, etc., es imprescindible que un distribuidor especialista inspeccione la silla de ruedas.

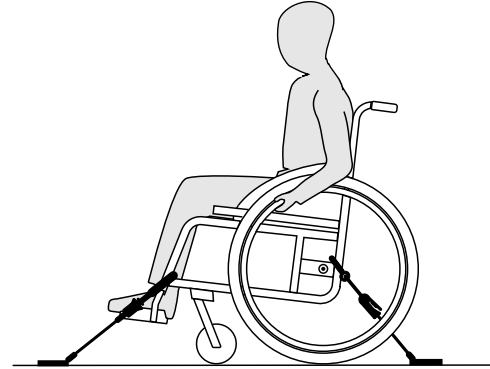


### ¡IMPORTANTE

Se recomienda formar al usuario en el uso correcto de un sistema de fijación.

- Consulte los manuales del usuario suministrados con los sistemas de fijación.
- Las siguientes ilustraciones pueden variar en función del proveedor de los sistemas de fijación.

### Sujeción de la silla de ruedas con un sistema de fijación de 4 puntos



### ¡ADVERTENCIA!

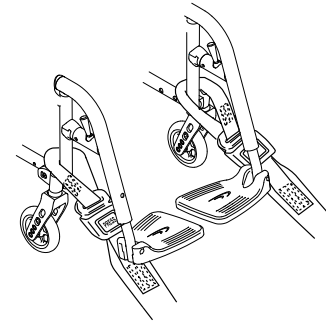
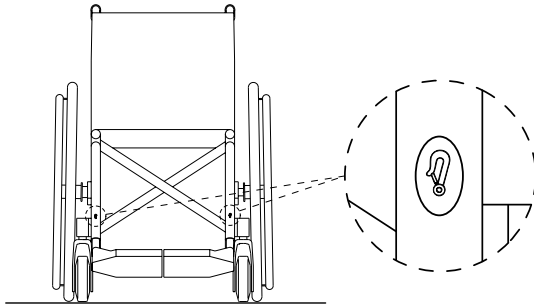
- Coloque la silla de ruedas con el usuario mirando hacia adelante en la dirección de marcha del vehículo.
- Accione los frenos de estacionamiento de la silla de ruedas.
- Active el dispositivo antivuelco (en caso de que esté instalado).

Las posiciones de fijación de la silla de ruedas donde deberán colocarse las correas del sistema de fijación se marcan con unos símbolos que representan ganchos de

mosquetón (consulte las siguientes imágenes y la sección 2.3 *Etiquetas y símbolos en el producto, página 65*).

1. Sujete la silla de ruedas a los rieles del vehículo mediante las correas delanteras y traseras del sistema de fijación de 4 puntos. Consulte el manual del usuario suministrado con el sistema de fijación de 4 puntos.

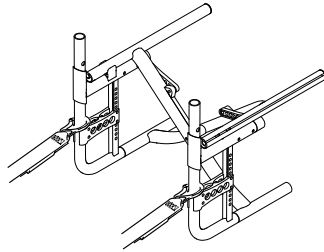
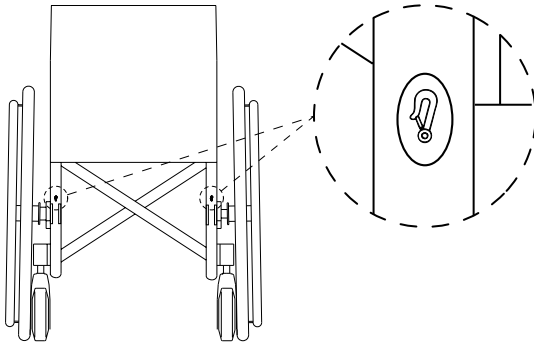
Posiciones de fijación de la parte delantera para las correas del cinturón:



1. Fije las correas delanteras por encima de los soportes de la rueda, tal y como se muestra en las dos imágenes anteriores (consulte la ubicación de las etiquetas de fijación).
2. Fije las correas delanteras al sistema de rieles. Para ello, siga las instrucciones de uso recomendadas por el fabricante del cinturón de seguridad.
3. Suelte los frenos de estacionamiento y tense las correas delanteras tirando hacia atrás de la silla de ruedas desde la parte posterior.
4. Vuelva a accionar los frenos de estacionamiento.

Posiciones de fijación de la parte posterior para los ganchos de mosquetón:





1. Fije los ganchos de mosquetón al chasis posterior, justo por encima de la placa del adaptador, tal y como se muestra en las dos imágenes anteriores (consulte la ubicación de las etiquetas de fijación).
2. Fije las correas traseras al sistema de rieles. Para ello, siga las instrucciones de uso recomendadas por el fabricante del cinturón de seguridad.
3. Apriete las correas.



#### IMPORTANTE

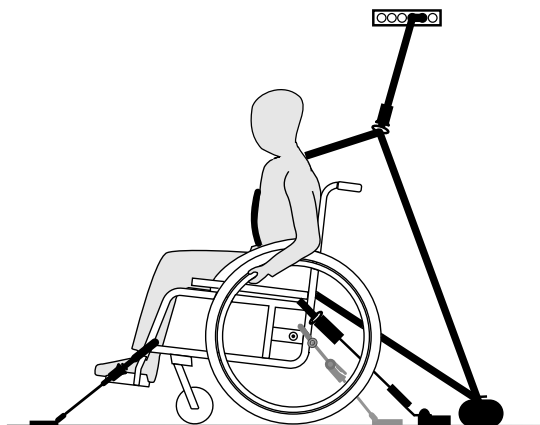
- Asegúrese de que los ganchos de mosquetón estén cubiertos con un material antideslizante para evitar el desplazamiento lateral sobre el eje.



#### IMPORTANTE

- Compruebe que los émbolos estén totalmente acoplados en ambos lados y situados en la misma posición de la sección de corte del riel.
- Asegúrese de que el ángulo entre los rieles y las correas se mantenga entre 40° y 45°.

### Cierre del sistema de fijación para pasajeros de 3 puntos



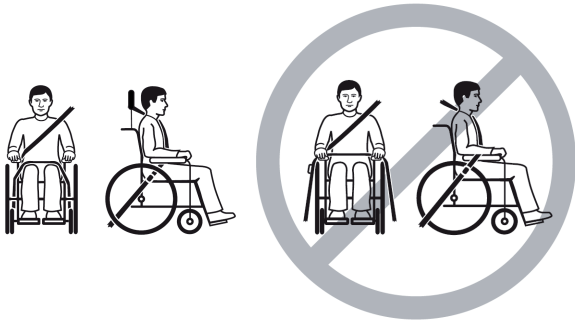
**!** **IMPORTANTE**

La ilustración anterior puede variar en función del proveedor de los sistemas de fijación.



**¡ADVERTENCIA!**

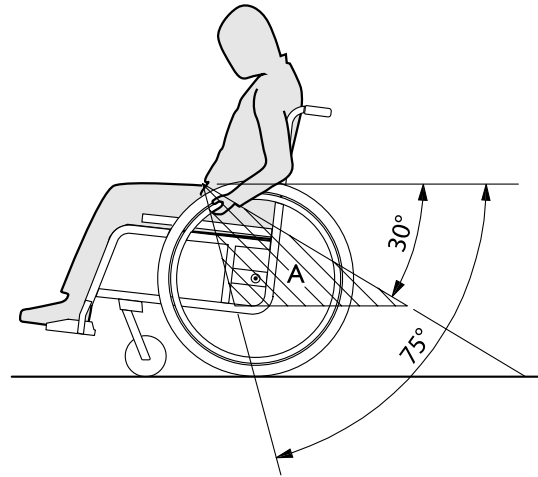
- Asegúrese de que el sistema de fijación para pasajeros de 3 puntos se coloque tan ajustado al cuerpo del usuario como sea posible, pero sin que esto le resulte incómodo y sin que se doble ninguna parte del sistema de fijación.
- Asegúrese de que el sistema de fijación para pasajeros de 3 puntos no esté separado del cuerpo del usuario a causa de alguna parte de la silla de ruedas, como los reposabrazos, las ruedas, etc.
- Asegúrese de que la fijación del usuario tenga un recorrido libre entre el usuario y el punto de anclaje, y de que no haya ningún tipo de interferencia a causa de alguna parte del vehículo, la silla de ruedas, el asiento o los accesorios.
- Asegúrese de que el cinturón para la cadera se adapte perfectamente a la pelvis del ocupante y no pueda desplazarse hasta la zona abdominal.
- Asegúrese de que el usuario pueda alcanzar el mecanismo de desbloqueo sin ayuda.



1. Fije el sistema de fijación para pasajeros de 3 puntos según lo especificado en el manual del usuario suministrado con dicho sistema de fijación.

### ! IMPORTANTE

- Bloquee el cinturón para la cadera del sistema de fijación para pasajeros de 3 puntos en la parte baja de la pelvis de tal forma que el ángulo del cinturón para la cadera esté dentro de la zona de preferencia (A), es decir, entre  $30^\circ$  y  $75^\circ$  con respecto al plano horizontal. Es preferible un ángulo pronunciado, pero nunca superior a  $75^\circ$ .



## 8 MANTENIMIENTO

### 8.1 Información sobre seguridad



#### ¡ADVERTENCIA!

Algunos materiales se deterioran de forma natural con el tiempo. Esto podría provocar daños en los componentes de la silla de ruedas.

- Un distribuidor especialista deberá inspeccionar la silla de ruedas al menos una vez al año o si esta no se ha usado durante un largo periodo de tiempo.



Su distribuidor especialista de kÜschall puede ayudarle a realizar el mantenimiento periódico. Para encontrar al distribuidor especialista autorizado más cercano, póngase en contacto con el distribuidor de kÜschall de su país (al final de este documento).

### 8.2 Programa de mantenimiento

Para garantizar un funcionamiento seguro y fiable, realice periódicamente las siguientes comprobaciones y tareas de mantenimiento o encárguelas a otra persona.

	semanal- mente	mensual- mente	anual- mente
Comprobar la presión de los neumáticos	x		
Comprobar que las ruedas traseras estén bien asentadas	x		
Comprobar el cinturón postural	x		
Inspección visual		x	
Comprobar las ruedas delanteras		x	
Comprobar los tornillos		x	
Comprobar los radios		x	

	semanal-mente	mensual-mente	anual-mente
Comprobar los frenos de estacionamiento		x	
Solicitar a un distribuidor especialista que compruebe el estado de la silla de ruedas			x

### Comprobar la presión de los neumáticos

1. Compruebe la presión de los neumáticos.



Consulte la sección "Neumáticos" para obtener más información.

2. Infle los neumáticos con la presión necesaria.
3. Compruebe la banda de rodamiento al mismo tiempo.
4. Cambie los neumáticos si es necesario.

### Comprobar que las ruedas traseras estén bien asentadas

1. Tire de la rueda trasera para comprobar que el eje extraíble esté bien asentado. La rueda no deberá salirse.
2. Si las ruedas traseras no encajan correctamente, elimine cualquier suciedad o depósito. Si persiste el problema, solicite al distribuidor especialista que monte de nuevo los ejes extraíbles.

### Comprobar el cinturón postural

1. Compruebe que el cinturón postural esté ajustado correctamente.



#### IMPORTANTE

- Un distribuidor especialista deberá ajustar los cinturones posturales sueltos.
- Un distribuidor especialista deberá sustituir los cinturones posturales dañados.
- Un distribuidor especialista deberá instalar siempre los cinturones posturales.

### Inspección visual

1. Compruebe si la silla de ruedas tiene piezas sueltas, grietas u otros defectos.
2. Si encuentra algo, solicite inmediatamente a un distribuidor especialista que compruebe el estado de la silla de ruedas.

### Comprobar las ruedas delanteras

1. Compruebe que las ruedas delanteras giren sin ningún impedimento.
2. Elimine cualquier suciedad o pelo de los rodamientos de las ruedas delanteras.
3. Un distribuidor especialista deberá cambiar las ruedas delanteras defectuosas o gastadas.

### Comprobar los tornillos

Los tornillos se pueden soltar debido al uso constante.

1. Compruebe que los tornillos estén bien apretados (en el reposapiés, funda del asiento, laterales, respaldo, chasis y módulo del asiento).
2. Apriete todos los tornillos sueltos con el par adecuado. Por lo tanto, consulte el manual de servicio, disponible en el sitio web [www.kuschall.com](http://www.kuschall.com).

### **!** IMPORTANTE

Los tornillos y las tuercas de seguridad pierden su eficacia al aflojarse y apretarse repetidamente.

- Un distribuidor especialista deberá reemplazar los tornillos y las tuercas de seguridad.

### **Comprobar la tensión de los radios**

Los radios no deberán estar sueltos o deformados.

1. Un distribuidor especialista deberá ajustar los radios sueltos.
2. Un distribuidor especialista deberá sustituir los radios rotos.

### **Comprobar los frenos de estacionamiento**

1. Compruebe que los frenos de estacionamiento estén colocados correctamente. El freno de estacionamiento estará colocado correctamente si la zapata presiona la rueda unos milímetros al accionarlo.
2. Si cree que el ajuste no es correcto, solicite a un distribuidor especialista que ajuste los frenos de estacionamiento correctamente.

### **!** IMPORTANTE

Los frenos de estacionamiento deberán reajustarse después de reemplazar las ruedas traseras o cambiar su posición.

### **Comprobaciones tras una colisión o un golpe fuertes**

### **!** IMPORTANTE

Como consecuencia de una colisión violenta o un golpe fuerte, pueden producirse daños imperceptibles en la silla de ruedas.


- Después de una colisión violenta o un golpe fuerte, es imprescindible que un distribuidor especialista inspeccione la silla de ruedas.

### **Reparación o cambio de un tubo interior**

1. Extraiga la rueda trasera y suelte el aire que tenga el tubo interior.
2. Levante la cubierta de la rueda para sacarla de la llanta mediante una palanca para ruedas de bicicleta. No use objetos afilados (por ejemplo, un destornillador) que puedan dañar el tubo interior.
3. Saque el tubo interior de la rueda.
4. Repare el tubo interior mediante un kit de reparación de bicicletas o, si es necesario, reemplace el tubo.
5. Infle el tubo ligeramente hasta que tenga una forma redonda.
6. Introduzca la válvula en el orificio para la válvula de la llanta e inserte el tubo en la rueda (el tubo deberá quedar alrededor de la rueda sin pliegues).

7. Levante la cubierta de la rueda sobre el borde de la llanta. Empiece cerca de la válvula y use una palanca para ruedas de bicicleta. Al hacerlo, compruebe todo el contorno para asegurarse de que el tubo interior no quede atrapado entre la rueda y la llanta.
8. Infle la rueda hasta la presión de funcionamiento máxima. Compruebe que la rueda no pierda aire.

### Recambios

 Todos los recambios se pueden obtener a través de un distribuidor especialista de kuschall. Podrá obtener una lista actualizada de recambios a través de Internet, en la dirección [www.kuschall.com](http://www.kuschall.com).

## 8.3 Limpieza

La silla de ruedas le servirá durante muchos años si la limpia con regularidad.

### **!** IMPORTANTE


La arena y el agua del mar pueden dañar los cojinetes y las partes de acero se pueden oxidar si la superficie se daña.

- Exponga la silla de ruedas a la arena o al agua del mar únicamente durante periodos cortos y límpiela cada vez que haya estado en la playa.

### **!** IMPORTANTE

- No utilice sustancias abrasivas, productos de limpieza agresivos o limpiadores a alta presión. Nunca utilice ácidos, álcalis o disolventes como la acetona o el disolvente de celulosa.
- Utilice siempre los productos habituales de limpieza del hogar.

1. Limpie los cojines y las piezas metálicas con un paño suave y húmedo.
2. Seque la silla de ruedas con cuidado con un paño tras utilizarla en condiciones de lluvia.
3. Si la silla de ruedas está sucia, limpie la suciedad lo antes posible con un paño húmedo y séquela con cuidado.

 Una limpieza regular revelará piezas flojas o desgastadas y mejorará el funcionamiento correcto de la silla de ruedas. Para que funcione correctamente y de forma segura, la silla de ruedas debe cuidarse como cualquier otro vehículo. En caso de que la tapicería esté muy manchada o el acabado de la superficie presente muchos daños, póngase en contacto con un distribuidor autorizado para obtener más información.

### Limpieza de la tapicería

Para obtener información sobre la limpieza de la tapicería, consulte las instrucciones de la etiqueta de la funda del asiento, del cojín y del respaldo.

### **Limpieza de las superficies metálicas**

Debe utilizarse agua caliente y un detergente suave para limpiar las superficies metálicas.

1. Limpie con un paño húmedo.
2. Seque la superficie limpiando con un paño seco.

Se puede utilizar abrillantador de coches y cera suave para eliminar raspaduras y restablecer el brillo.

### **Limpieza de las superficies de plástico**

Las superficies de plástico deben limpiarse con un paño suave, detergente suave y agua caliente.



#### **IMPORTANTE**

- No utilice disolventes ni productos de limpieza de cocina para limpiar las superficies de plástico.

1. Enjuague la superficie con agua limpia.
2. Seque la superficie limpiando con un paño seco.

## **8.4 Desinfección**

La silla de ruedas puede desinfectarse pulverizando o limpiando con desinfectantes probados y aprobados.



El instituto Robert Koch ofrece en [www.rki.de](http://www.rki.de) una lista de los desinfectantes aprobados actualmente.



## 9 DESPUÉS DEL USO

### 9.1 Almacenamiento



#### IMPORTANTE

Riesgo de dañar el producto

- No guarde el producto cerca de fuentes de calor.
- No guarde nunca otros objetos sobre la silla de ruedas.
- Guarde la silla de ruedas en el interior, en un entorno seco.
- Consulte el límite de temperatura en el capítulo *11.2 Condiciones ambientales*, página 118.

Si la silla de ruedas permanece guardada durante mucho tiempo (más de cuatro meses), deberá inspeccionarse según se indica en el capítulo *8 Mantenimiento*, página 108

### 9.2 Reutilización

La silla de ruedas puede reutilizarse. Deberán llevarse a cabo las acciones siguientes:

- Limpieza y desinfección, *8.3 Limpieza*, página 111 y *8.4 Desinfección*, página 112 en este manual.
- Inspección, *8.2 Programa de mantenimiento*, página 108 en este manual.
- La silla de ruedas se deberá adaptar al usuario nuevo según la documentación de servicio (disponible en el distribuidor küschall de cada país).

### 9.3 Información sobre la eliminación

Proteja el medio ambiente y elimine la silla de ruedas debidamente. La eliminación está sujeta a las normativas nacionales y locales.



Para su correcta eliminación, póngase en contacto con su distribuidor especialista o pregunte a su ayuntamiento o junta municipal sobre las empresas locales de gestión de residuos.

---

## 10 SOLUCIÓN DE PROBLEMAS

---

### 10.1 Información sobre seguridad

Se pueden producir fallos como resultado del uso diario, los ajustes o las necesidades cambiantes de la silla de ruedas. En la tabla siguiente, se explica cómo identificar y reparar los fallos.



#### ¡PRECAUCIÓN!

- Póngase en contacto con su distribuidor especialista inmediatamente si observa algún fallo en la silla de ruedas, por ejemplo, un cambio significativo en su manejo.



#### ¡IMPORTANTE

- Algunas de las acciones mencionadas deberá realizarlas un distribuidor especialista autorizado. Esto se indicará en cada caso. Recomendamos que *todos* los ajustes los efectúe un distribuidor especialista.

### 10.2 Identificación y reparación de fallos

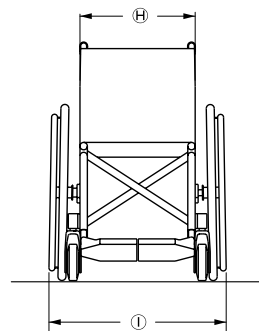
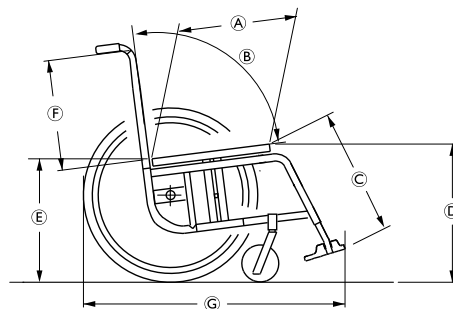
Fallo	Posible causa	Acción
La silla de ruedas no se desplaza en línea recta	Presión de los neumáticos incorrecta en una rueda trasera	Corrija la presión de los neumáticos, ® 3.14 <i>Ruedas, página 79</i>
	Uno o varios radios rotos	Reemplace el radio o los radios defectuosos, ® distribuidor especialista
	Radios apretados de forma desigual	Apriete los radios sueltos, ® distribuidor especialista
	El apoyo de la rueda delantera no está alineado correctamente	Corrija la posición y la alineación del apoyo de la rueda delantera, ® distribuidor especialista
	Los rodamientos de la rueda delantera están sucios o dañados	Limpie o reemplace los rodamientos, ® distribuidor especialista
	Ruedas traseras fuera de la guía	Cambie la guía, ® distribuidor especialista
	La altura de las ruedas delanteras no está ajustada al mismo nivel	Ponga las ruedas delanteras de tal forma que toquen el suelo al mismo tiempo, ® distribuidor especialista
La silla de ruedas se vuelca hacia atrás con demasiada facilidad	Las ruedas traseras están montadas demasiado hacia delante	Monte las ruedas traseras más atrás, ® distribuidor especialista
	El ángulo trasero es demasiado grande	Reduzca el ángulo del respaldo, ® distribuidor especialista
	El ángulo del asiento es demasiado grande	Monte la placa del adaptador más abajo en el perfil lateral, ® distribuidor especialista Seleccione una horquilla de rueda delantera más pequeña, ® distribuidor especialista

<b>Fallo</b>	<b>Posible causa</b>	<b>Acción</b>
Los ejes extraíbles no se pueden insertar correctamente	Ejes extraíbles sucios	Limpie los ejes extraíbles
	Ejes extraíbles mal alineados	Ajuste los ejes extraíbles, ® distribuidor especialista
Los frenos de estacionamiento agarran mal o de forma asimétrica	Presión de los neumáticos incorrecta en una o ambas ruedas traseras	Corrija la presión de los neumáticos, ® 3.14 <i>Ruedas, página 79</i>
	Ajuste del freno de estacionamiento incorrecto	Corrija el ajuste del freno de estacionamiento, ® distribuidor especialista
Resistencia al rodamiento muy alta	La presión de los neumáticos de las ruedas traseras es demasiado baja	Corrija la presión de los neumáticos o sustituya el tubo del interior del neumático, ® 3.14 <i>Ruedas, página 79</i>
	La rueda se ha pinchado	
	Las ruedas traseras no están paralelas	Asegúrese de que las ruedas traseras estén paralelas, ® distribuidor especialista
Las ruedas delanteras se tambalean al moverse rápido	El bloque del cojinete de la rueda delantera tiene muy poca tensión	Apriete ligeramente la tuerca en el eje del bloque del cojinete, ® distribuidor especialista
	La rueda delantera se ha desgastado y está lisa	Cambie la rueda delantera, ® distribuidor especialista
La rueda delantera está rígida o atascada	Los rodamientos están sucios o defectuosos	Limpie o reemplace los rodamientos, ® distribuidor especialista
Resulta muy difícil desplegar la silla de ruedas	La funda del respaldo está demasiado tirante	Afloje un poco las cinchas de velcro de la funda del respaldo, ® 3.3 <i>Respaldo, página 70</i>

## 11 DATOS TÉCNICOS

### 11.1 Dimensiones y peso

Todas las dimensiones y especificaciones de peso se refieren a una anchura del asiento de 400 mm, a una profundidad del asiento de 400 mm y a la configuración más ligera de la silla de ruedas. Las dimensiones y el peso pueden cambiar en función de las distintas configuraciones.



Ⓐ	Profundidad del asiento	320 – 500 mm, en incrementos de 20 mm
Ⓑ	Ángulo del respaldo	82°/86°/90°/ 94°/98°/102°
Ⓒ	Longitud de la rodilla al talón	200 – 510 mm, en incrementos de 10 mm
Ⓓ	Altura del asiento, parte delantera	430 – 530 mm, en incrementos de 10 mm
Ⓔ	Altura del asiento, parte posterior	390 – 500 mm, en incrementos de 10 mm
Ⓕ	Altura del respaldo	300 – 510 mm, en incrementos de 15 mm
Ⓖ	Longitud total	70°: aprox. 880 mm 80°: aprox. 830 mm
Ⓗ	Anchura del asiento	280 – 500 mm, en incrementos de 20 mm
Ⓘ	Anchura total	Anchura del asiento + 180 mm aprox. 290 mm
Ⓚ	Anchura total, plegada	
	Peso	aprox. 10,1 kg
	Peso de transporte (sin ruedas traseras)	aprox. 7,2 kg
	Peso del usuario máximo	130 kg

	Anchura de marcha atrás	920 – 1230 mm
	Pendiente de seguridad máxima	7°

## 11.2 Condiciones ambientales

No exponga la silla de ruedas a temperaturas inferiores a -20 °C o superiores a 40 °C.

## 11.3 Materiales

Los componentes utilizados para fabricar las sillas de ruedas küschall se componen de los siguientes materiales:

Tubos del chasis	Aluminio
Tubos del respaldo	Aluminio
Travesaños	Aluminio
Funda del asiento/funda del respaldo	PA/PE/PVC
Empuñadura	Acero/aluminio/TPE
Protector de ropa/guardabarros	Fibra de carbono
Horquillas de las ruedas delanteras	Aluminio
Reposapiés	Plástico

Piezas de apoyo/accesorios	Acero/aluminio
Tuercas y tornillos	Acero

Todos los componentes del producto cuentan con un revestimiento protector o son resistentes a la corrosión.

Notes



# ÍNDICE

Este manual TEM de ser fornecido ao utilizador do produto.  
ANTES de utilizar este produto, leia este manual e guarde-o para futuras consultas.

<b>1</b>	<b>Geral</b>	<b>123</b>
1.1	Introdução	123
1.2	Símbolos utilizados neste manual	123
1.3	Informações da garantia	124
1.4	Conformidade	124
1.4.1	Normas específicas do produto	124
1.5	Utilização prevista	124
1.6	Vida útil	124
1.7	Protecção de direitos de autor	125
1.8	Limitação de responsabilidade	125
<b>2</b>	<b>Segurança</b>	<b>126</b>
2.1	Informações de segurança	126
2.2	Dispositivos de segurança	127
2.3	Etiquetas e símbolos no produto	127
<b>3</b>	<b>Montagem e funcionamento</b>	<b>129</b>
3.1	Descrição geral	129
3.2	Travões de estacionamento	130
3.3	Encosto	132
3.4	Encosto rebatível (opcional)	133
3.5	Punhos	133
3.6	Barra estabilizadora para o encosto	134
3.7	Apoio de braço na cor do chassis, regulável em altura, rebatível	135
3.8	Apoio de braço com mecanismo de encaixe, regulável em altura, rebatível	136

3.9	Apoio lateral de altura infinitamente ajustável, sem bloqueio	136
3.10	Apoio de braço simples de altura ajustável, articulado e sem bloqueio	137
3.11	Apoio de braço da Kuschall	138
3.12	Guarda-lama	139
3.13	Dispositivo antiqueda	140
3.14	Pneus	141
3.15	Almofada do assento	142
3.16	Presilha da barriga das pernas/fita para calcanhar	142
<b>4</b>	<b>Acessórios</b>	<b>144</b>
4.1	Cinto de postura	144
4.2	Dispositivo basculante	146
4.3	Bomba de ar	146
4.4	Reflectores	146
4.5	Suporte para bengala	146
4.6	Rodas de trânsito	147
4.7	Porta-bagagens	148
<b>5</b>	<b>Configuração</b>	<b>149</b>
5.1	Informações de segurança	149
<b>6</b>	<b>Utilizar a cadeira</b>	<b>150</b>
6.1	Informações de segurança	150
6.2	Travagem durante a utilização	151
6.3	Sentar-se e levantar-se da cadeira de rodas	152
6.4	Condução e manobra da cadeira de rodas	153
6.5	Passar sobre degraus e bordas do passeio	154
6.6	Passar sobre escadas	157
6.7	Conduzir sobre rampas e subidas	158

6.8	Estabilidade e equilíbrio enquanto está sentado . . . . .	159
<b>7</b>	<b>Transporte . . . . .</b>	<b>161</b>
7.1	Informações de segurança . . . . .	161
7.2	Encarte e abertura da cadeira de rodas . . . . .	161
7.3	Remover e instalar as rodas traseiras . . . . .	162
7.4	Transportar a cadeira de rodas ocupada num veículo . . . . .	163
<b>8</b>	<b>Manutenção . . . . .</b>	<b>170</b>
8.1	Informações de segurança . . . . .	170
8.2	Plano de manutenção . . . . .	170
8.3	Limpeza . . . . .	172
8.4	Desinfecção . . . . .	173
<b>9</b>	<b>Após a utilização . . . . .</b>	<b>174</b>
9.1	Armazenamento . . . . .	174
9.2	Reutilização . . . . .	174
9.3	Informações de eliminação . . . . .	174
<b>10</b>	<b>Resolução de problemas . . . . .</b>	<b>175</b>
10.1	Informações de segurança . . . . .	175
10.2	Identificar e reparar falhas . . . . .	176
<b>11</b>	<b>Características Técnicas . . . . .</b>	<b>178</b>
11.1	Dimensões e peso . . . . .	178
11.2	Condições ambientais . . . . .	179
11.3	Materiais . . . . .	179

# 1 GERAL

## 1.1 Introdução

Este manual de utilização contém informações importantes sobre o manuseamento do produto. Para garantir a segurança durante a utilização do produto, leia atentamente o manual de utilização e siga as instruções de segurança.

Tenha em atenção que este manual de utilização pode conter secções não aplicáveis ao seu produto, uma vez que se refere a todos os modelos disponíveis (à data da impressão). Salvo menção em contrário, cada secção deste manual refere-se a todos os modelos do produto.

Os modelos e configurações disponíveis no seu país podem ser encontrados em catálogos de preços específicos do país.

A Invacare reserva-se o direito de alterar as especificações do produto sem aviso prévio.

Antes de ler este manual, certifique-se de que tem a versão mais recente. A versão mais recente está disponível no site da Invacare, em formato PDF.

Se o tamanho do tipo de letra na versão impressa do manual de utilização for difícil de ler, pode transferir uma versão em PDF do manual a partir do site. A imagem do PDF pode ser ajustada no ecrã para um tamanho de tipo de letra que lhe seja mais cómodo.

Para obter mais informações sobre o produto, por exemplo, avisos de segurança de produtos e retiradas

de produtos do mercado, contacte o seu representante da Invacare. Consulte os endereços no final deste documento.

## 1.2 Símbolos utilizados neste manual

Neste manual as advertências são indicadas por símbolos. Os símbolos de advertência são acompanhados por um cabeçalho que indica a gravidade do perigo.



### ADVERTÊNCIA

Indica uma situação perigosa que, se não for evitada, poderá resultar em morte ou em lesões graves.



### ATENÇÃO

Indica uma situação perigosa que, se não for evitada, poderá resultar em lesões menores ou ligeiras.



### IMPORTANTE

Indica uma situação perigosa que, se não for evitada, poderá resultar em danos à propriedade.



### Sugestões e recomendações

Fornece sugestões, recomendações e informações úteis para uma utilização eficiente, sem problemas.



Este produto está em conformidade com a Directiva 93/42/CEE sobre dispositivos médicos. A data de lançamento deste produto é indicada na declaração de conformidade CE.



Fabricante do produto.

### 1.3 Informações da garantia

Facultamos uma garantia de fabrico para o produto, em conformidade com os nossos Termos e Condições Gerais de Compra nos respetivos países.

As reclamações de garantia só podem ser realizadas através do fornecedor ao qual o produto foi adquirido.

### 1.4 Conformidade

A qualidade é fundamental para o funcionamento da empresa, estando em conformidade com a norma ISO 13485.

Este produto apresenta a marca CE, em conformidade com a Diretiva dos Dispositivos Médicos 93/42/CEE de Classe 1.

Temos empreendido um esforço contínuo para reduzir ao mínimo o impacto local e global da empresa no ambiente.

Apenas utilizamos materiais e componentes que cumprem a diretiva REACH.

### 1.4.1 Normas específicas do produto

A cadeira de rodas foi testada em conformidade com a norma EN 12183. A avaliação incluiu um teste de inflamabilidade.

Para obter informações adicionais sobre as normas e os regulamentos locais, contacte o representante local da Invacare. Consulte os endereços no final deste documento.

### 1.5 Utilização prevista

Esta cadeira de rodas ativa está indicada para fornecer mobilidade a pessoas que estão limitadas a uma posição sentada.

#### Indicações

Pessoas com deficiências com pelo menos 12 anos (adolescentes e adultos) com dificuldades de mobilidade e restringidas a uma posição sentada.

#### Contraindicações

Não se conhecem contraindicações.



Esta cadeira de rodas ativa deve ser prescrita e ajustada à sua condição de saúde específica.

### 1.6 Vida útil

A vida útil prevista deste produto é de cinco anos, assumindo que o mesmo é utilizado diariamente e em conformidade com as instruções de segurança, instruções de manutenção e utilização prevista indicados neste manual.

## **1.7 Protecção de direitos de autor**

Este manual de instruções está protegido pelos direitos de autor. O manual de instruções não pode ser reimpresso, duplicado nem transmitido a terceiros, em parte ou no seu todo, sem o consentimento prévio por escrito do fabricante.

## **1.8 Limitação de responsabilidade**

A Invacare não aceita a responsabilidade por danos decorrentes de:

- Incumprimento das instruções presentes no manual de utilização
- Utilização incorreta
- Desgaste natural devido ao uso
- Montagem ou preparação incorreta pelo comprador ou por terceiros
- Modificações técnicas
- Modificações não autorizadas e/ou utilização de peças sobressalentes desadequadas

## 2 SEGURANÇA

### 2.1 Informações de segurança

Esta secção contém informações de segurança importantes para a proteção do utilizador e do assistente da cadeira de rodas, assim como para a utilização correta e sem problemas da cadeira de rodas.



#### **ADVERTÊNCIA!**

##### **Risco de acidentes e lesão grave**

Podem ocorrer acidentes resultantes em lesão grave se a cadeira de rodas for ajustada incorretamente.

- Os ajustes feitos na cadeira de rodas devem ser sempre realizados por um fornecedor especialista.



#### **ADVERTÊNCIA!**

##### **Risco resultante de um estilo de condução desadequado para as condições**

Existe o risco de derrapagem em piso molhado, gravilha ou terreno irregular.

- Adapte sempre a velocidade e o estilo de condução às condições (tempo, superfície, capacidade individual, etc.).



#### **ADVERTÊNCIA!**

##### **Risco de lesão**

Em caso de colisão, pode sofrer lesões em partes do seu corpo que sobressaem da cadeira de rodas (por exemplo, pés ou mãos).

- Evite uma colisão sem travagem.
- Conduza de modo a nunca chocar de frente com um objeto.
- Conduza cuidadosamente por passagens estreitas.



#### **ADVERTÊNCIA!**

##### **Risco devido a descontrolo da cadeira de rodas**

A alta velocidade pode perder o controlo da cadeira de rodas e capotar.

- Nunca exceda a velocidade de 7 km/h.
- Evite colisões em geral.



#### **ATENÇÃO!**

##### **Risco de queimadura**

Os componentes da cadeira de rodas podem aquecer quando expostos a fontes externas de calor.

- Não exponha a cadeira de rodas a luz solar forte antes da utilização.
- Antes da utilização, verifique a temperatura de todos os componentes que entrem em contacto com a sua pele.



### ATENÇÃO!

#### Risco de entalar os dedos

Existe sempre um risco de prender os dedos, braços, etc. nas partes móveis da cadeira de rodas.

- Quando ativar os mecanismos de dobragem ou de inserção nas partes móveis (por exemplo, o eixo removível da roda traseira, o encosto rebatível ou o dispositivo antiqueda), certifique-se de que não prende nenhuma parte do corpo ou nenhum objeto.

## 2.2 Dispositivos de segurança



### ADVERTÊNCIA!

#### Risco de acidente

Dispositivos de segurança mal configurados ou avariados (travões, roda anti-volteio) podem levar a acidentes.

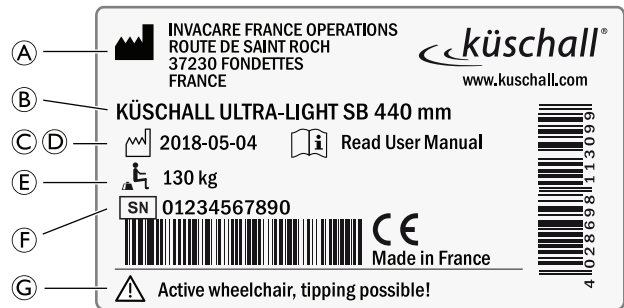
- Antes de cada utilização da cadeira de rodas verifique o bom funcionamento dos dispositivos de segurança e leve-a com regularidade a um técnico especializado para ser controlada.

As funções dos dispositivos de segurança estão descritas no Capítulo 3 *Montagem e funcionamento*, página 129.

## 2.3 Etiquetas e símbolos no produto

### Placa de características

A placa de características encontra-se fixada no chassis da cadeira de rodas e fornece as seguintes informações:



Ⓐ	Endereço do fabricante
Ⓑ	Descrição do produto
Ⓒ	Data de fabrico
Ⓓ	Instrução para ler o Manual de utilização
Ⓔ	Peso máximo do utilizador
Ⓕ	Número de série
Ⓖ	Advertência de que se trata de uma cadeira de rodas ativa, sendo possível a ocorrência de basculação

### Símbolo de gancho fechado



Posições de refreio nas quais as correias do sistema de retenção devem ser colocadas no caso de transporte de uma cadeira de rodas ocupada num veículo motorizado. Consulte *7.4 Transportar a cadeira de rodas ocupada num veículo, página 163*.

Estes símbolos só podem ser fixados à cadeira de rodas quando se procede à encomenda com a opção de kit de transporte.



#### Símbolo de ADVERTÊNCIA

Esta cadeira de rodas não está configurada para o transporte de passageiros em veículos motorizados.

### Etiqueta de advertência do dispositivo antiqueda



**ADVERTÊNCIA: Ler o manual de utilização**

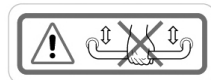
Siga as instruções do manual de utilização antes de utilizar o dispositivo antiqueda.

### Etiqueta de advertência de peças laterais sem bloqueio



Não levante a cadeira de rodas utilizando as peças laterais sem bloqueio.

### Etiqueta de advertência da barra estabilizadora

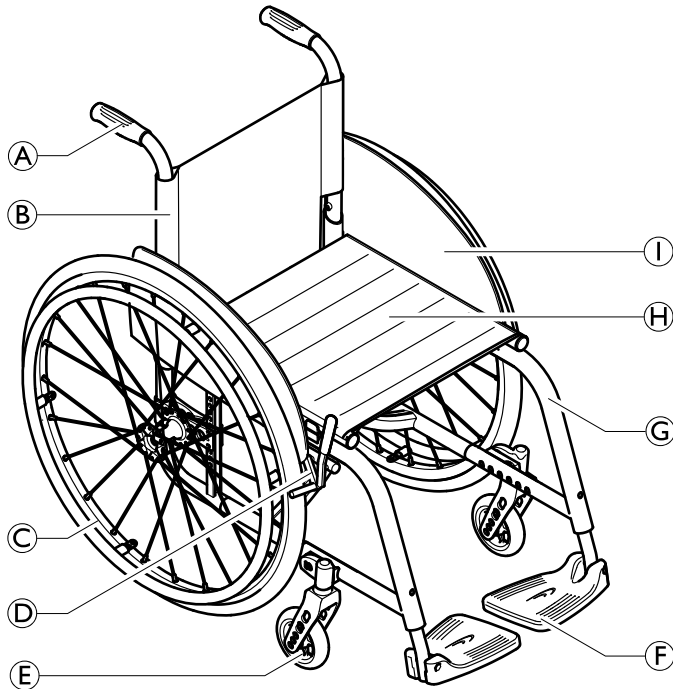


Não levante a cadeira de rodas na barra estabilizadora.



## 3 MONTAGEM E FUNCIONAMENTO

### 3.1 Descrição geral



(A)	Punho
(B)	Costas
(C)	Roda traseira com aro motor
(D)	Travão de estacionamento
(E)	Garfo da roda dianteira com roda dianteira
(F)	Apoio para os pés
(G)	Chassis
(H)	Assento
(I)	Resguardo de roupa

#### Breve descrição

A küschall Ultra-Light é uma cadeira de rodas activa encartável com contrafixa diagonal.

**i** O equipamento real da sua cadeira pode variar da representação, uma vez que cada cadeira de rodas é fabricada de acordo com as indicações da encomenda.

## 3.2 Travões de estacionamento

Os travões de estacionamento são utilizados para imobilizar a cadeira de rodas quando está estacionária de modo a impedir a sua deslocação descontrolada.



### ADVERTÊNCIA!

#### Risco de capotagem se travar bruscamente

Se engatar os travões de estacionamento enquanto se está deslocar, a direção do movimento pode ficar incontrolável e a cadeira de rodas pode parar subitamente, o que pode resultar numa colisão ou na sua queda.

- Nunca engate os travões de estacionamento enquanto se está a deslocar.



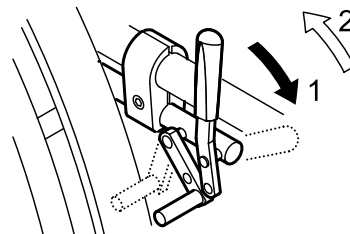
### ADVERTÊNCIA!

#### Risco de capotagem

Os travões de estacionamento só funcionarão corretamente se existir ar suficiente nos pneus.

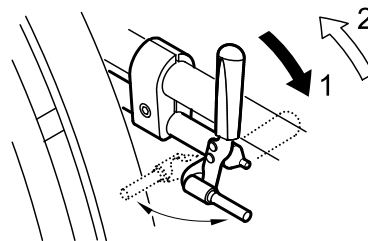
- Certifique-se de que os pneus têm a pressão correta. Consulte a secção 3.14 *Pneus*, página 141

## Travão padrão



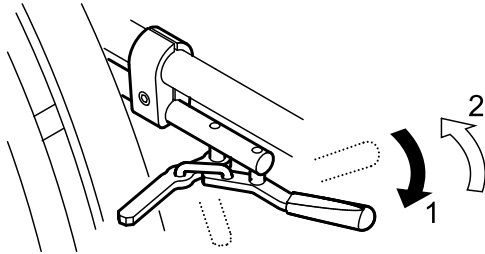
1. Para engatar o travão, pressione a alavanca de travagem para a frente o máximo possível.
2. Para desengatar o travão, puxe a alavanca de travagem para trás.

## Travão performance



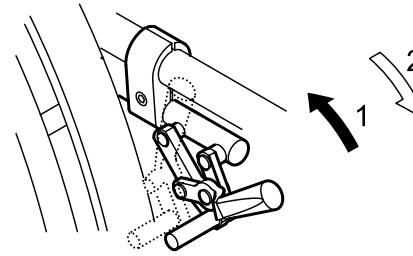
1. Para engatar o travão, pressione a alavanca de travagem para a frente o máximo possível.
2. Para desengatar o travão, puxe a alavanca de travagem para trás.

### Travão ativo



1. Para engatar o travão, puxe a alavanca de travagem para a frente, de lado ou entre os joelhos, o máximo possível.
2. Para desengatar o travão, pressione a alavanca de travagem para trás, de lado ou entre os joelhos, o máximo possível.

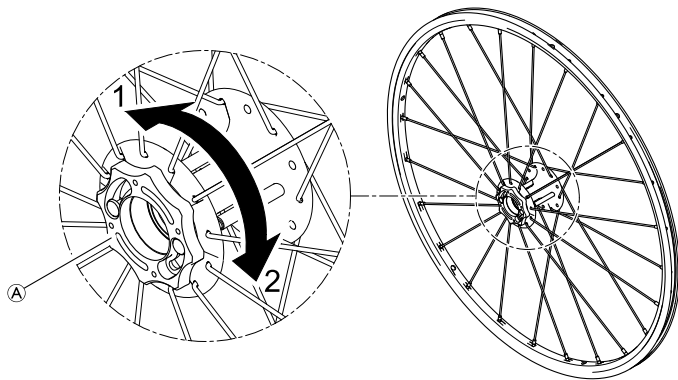
### Travão de tração



1. Para engatar o travão, puxe a alavanca de travagem para trás o máximo possível.
2. Para desengatar o travão, pressione a alavanca de travagem para a frente.

### Cubo do travão (opcional)

O cubo do travão é acionado pelo anel do travão localizado no lado exterior de cada cubo do travão.



1. Para engatar o cubo do travão, coloque o anel do cubo **A** na direção 1 até parar.
2. Para desengatar o cubo do travão, coloque o anel do cubo na direção 2 até parar.



#### **ADVERTÊNCIA!**

##### **Risco de capotagem se travar bruscamente**

Se engatar os travões do cubo enquanto se está deslocar, a direção de movimento pode ficar incontrolável e a cadeira de rodas pode parar subitamente, o que pode resultar numa colisão ou na sua queda.

- Nunca engate o travão do cubo enquanto se está a deslocar.



#### **ADVERTÊNCIA!**

##### **Risco de lesão devido a capotagem da cadeira de rodas**

Quando recua, a cadeira de rodas pode capotar devido a um encaixe do pino de travagem do cubo que bloqueia a roda.

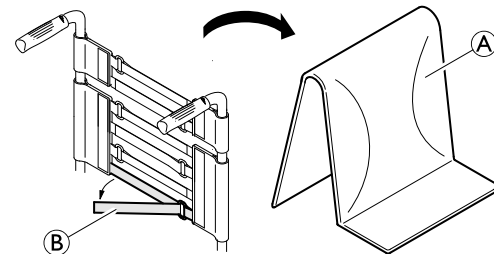
- Contacte o seu fornecedor especializado imediatamente, assim que ouvir um trepidar provocado pelo travão do cubo ao conduzir a sua cadeira de rodas.
- Evite recuar com a cadeira de rodas após ouvir o ruído referido até o travão do cubo ser reparado ou substituído.

### **3.3 Encosto**

#### **Capa do encosto**

Pode ajustar a tensão da capa do encosto, conforme necessário.

#### **Ajustar a capa do encosto**



1. Remova a almofada do encosto ①.
2. Solte os fechos de velcro ② na parte traseira da capa do encosto, simplesmente puxando pelos mesmos.
3. Aperte ou solte as fitas conforme necessário para as voltar a prender.



**ADVERTÊNCIA!**  
**Risco de basculação**

Se as bandas ficarem reguladas muito soltas, o ponto de basculação da cadeira de rodas irá agravar-se.

- Certifique-se de que as bandas estão reguladas corretamente.

### Altura do encosto

É possível ajustar a altura do encosto. O ajuste deve ser efetuado pelo fornecedor especialista.

### Ângulo do encosto

É possível ajustar o ângulo do encosto. O ajuste deve ser efetuado pelo fornecedor especialista.

### 3.4 Encosto rebatível (opcional)

O encosto pode ser rebatido e endireitado tanto no estado dobrado como não dobrado.

#### Rebater o encosto

1. Para rebater o encosto, agarre na correia na parte de trás da cadeira de rodas e puxe-a para cima.
2. Ao mesmo tempo, pressione a extremidade superior do encosto para a frente.

### Dobrar o encosto para cima

1. Para dobrar o encosto para cima, agarre na extremidade superior do encosto e dobre-o para cima.



**IMPORTANTE!**

- Não dobre nem desdobre a cadeira de rodas quando o encosto está rebatido.

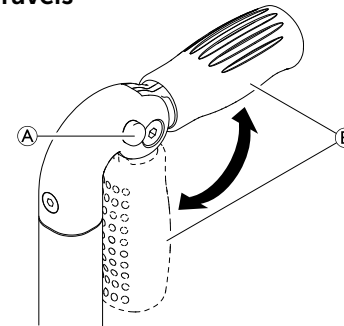
### 3.5 Punhos



**IMPORTANTE!**

- Verifique sempre os punhos antes de utilizar a cadeira de rodas, confirmando se as pegas estão fixas, não rodam nem saem.

#### Punhos dobráveis



1. Prima totalmente o botão ① e dobre o punho ② respetivamente para cima ou para baixo até ouvir um som de encaixe.



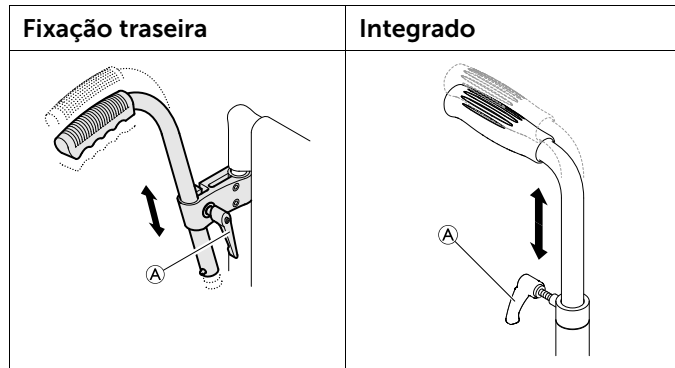
### ATENÇÃO!

Se não estiver corretamente engatado, o punho pode dobrar-se acidentalmente para baixo ao empurrar a cadeira de rodas.

- Certifique-se de que o punho está corretamente engatado.

### Punhos de altura ajustável

Os punhos de altura ajustável sem vários passos permitem a qualquer assistente ajustar os manípulos para um nível confortável.



1. Para regular a altura dos punhos, desaperte o parafuso (A), empurre o manípulo até a posição pretendida e aperte o parafuso de novo.

### 3.6 Barra estabilizadora para o encosto

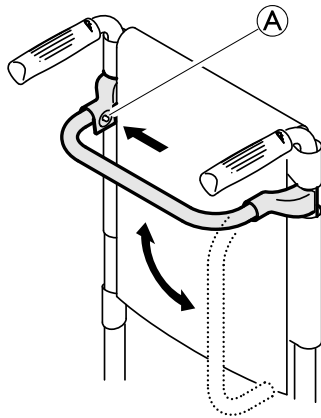
Está disponível uma barra estabilizadora para aumentar a rigidez do encosto nas cadeiras de rodas com grandes alturas ou largas de costas.



### IMPORTANTE!

- Não utilize a barra estabilizadora para levantar ou empurrar a cadeira de rodas. Pode partir-se.
- Solte a barra estabilizadora antes de dobrar a cadeira de rodas.

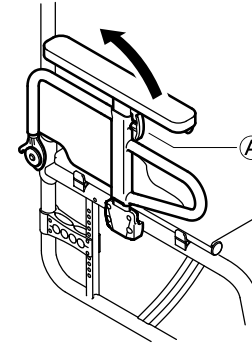
## Libertação da barra estabilizadora



1. Pressione o pino de mola **A** na fixação do lado esquerdo e desloque a barra estabilizadora para baixo com um movimento oscilante.

A barra estabilizadora também pode ser completamente removida, pressionando os pinos de mola em ambos os lados. A barra estabilizadora pode então ser retirada.

## 3.7 Apoio de braço na cor do chassis, regulável em altura, rebatível



### Rebater

1. Segure o apoio de braço pela almofada ou no arco dianteiro e rebata-o para trás.

### Retirar

1. Rebata o apoio de braço para trás e puxe-o para cima para fora do suporte pelas costas.

### Colocar

1. Coloque o apoio de braço por cima no suporte por trás.
2. Rebata-o para baixo.

### Regular a altura

1. Rebata a patilha ① na parte dianteira do apoio e regule o encosto para o braço até à altura pretendida para baixo ou para cima.
2. A patilha tem de encaixar.
3. Efectue o ajuste em ambos os lados.

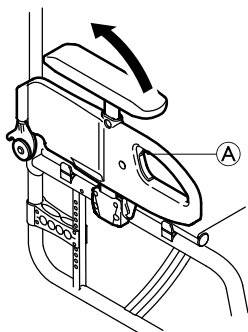


#### ATENÇÃO!

Este apoio de braço não fica preso à cadeira de rodas.

- Por isso, não levante a cadeira de rodas por este apoio de braço.

### 3.8 Apoio de braço com mecanismo de encaixe, regulável em altura, rebatível



#### Rebater

1. Prima o punho cinzento ① e rebata o apoio de braço para trás.

#### Retirar

1. Rebata o apoio de braço para trás e puxe-o para cima para fora do suporte pelas costas.

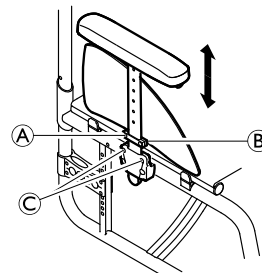
#### Colocar

1. Coloque o apoio de braço por cima no suporte por trás.
2. Rebate-o para baixo.

#### Regular a altura

1. Solte o parafuso no meio do apoio de braço com uma chave de fendas.
2. Mova o apoio para o braço até à altura pretendida para cima ou para baixo.
3. Fixe o parafuso.
4. Efectue o ajuste em ambos os lados.

### 3.9 Apoio lateral de altura infinitamente ajustável, sem bloqueio





**ADVERTÊNCIA!****Risco de lesão**

Os apoios laterais não estão bloqueados e podem ser facilmente puxados para cima.

- Não levante nem transfira a cadeira de rodas utilizando os apoios laterais.
- Não utilize os apoios laterais para transporte ao levar a cadeira de rodas para cima ou para baixo.

**Remoção**

1. Puxe o apoio lateral pela almofada do braço, para fora do suporte.
2. Para ajustar a facilidade ou dificuldade de remoção do apoio lateral do suporte, é possível alterar o grau de aperto dos parafusos ©.

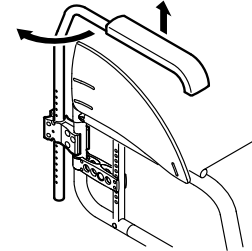
**Encaixe**

1. Pressione o apoio lateral contra o suporte.

**Ajuste da altura**

1. Desaperte o parafuso Ⓐ da placa de retenção Ⓑ.
2. Mova o apoio de braço para cima ou para baixo até atingir a altura pretendida.
3. Aperte o parafuso Ⓐ.
4. Aplique a mesma definição em ambos os lados.

### 3.10 Apoio de braço simples de altura ajustável, articulado e sem bloqueio

**ADVERTÊNCIA!****Risco de lesão**

Os apoios de braço não estão bloqueados e podem ser facilmente puxados para cima.

- Não levante nem transfira a cadeira de rodas utilizando os apoios de braço.
- Não utilize os apoios de braço para transporte ao levar a cadeira de rodas para cima ou para baixo.

**Remoção**

1. Levante o apoio de braço e puxe-o para cima, para fora do suporte.

**Encaixe**

1. Pressione o apoio de braço contra o suporte.

### Ajuste da altura

1. Puxe o apoio de braço para fora do suporte.
2. Desaperte o parafuso no tubo do apoio de braço e aparafuse-o novamente à altura pretendida.
3. Pressione o apoio de braço novamente contra o suporte.
4. Aplique a mesma definição em ambos os lados.

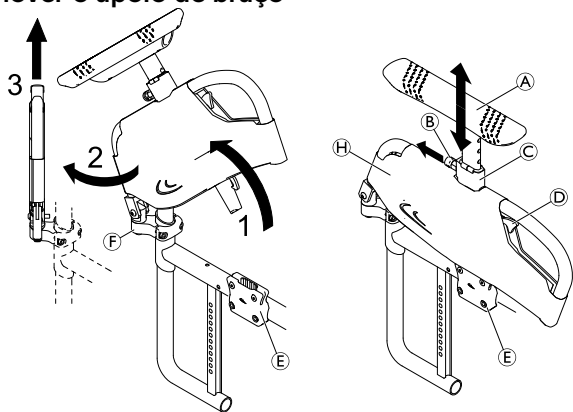
### Articulação

1. Levante o apoio de braço um pouco e rode-o para fora.

### 3.11 Apoio de braço da Kuschall

Esta opção de apoio de braço é um acessório de encaixe que pode ser dobrado para trás, rodado para fora e removido. A almofada do apoio de braço em T é de altura ajustável e também encaixa no lugar.

### Remover o apoio de braço

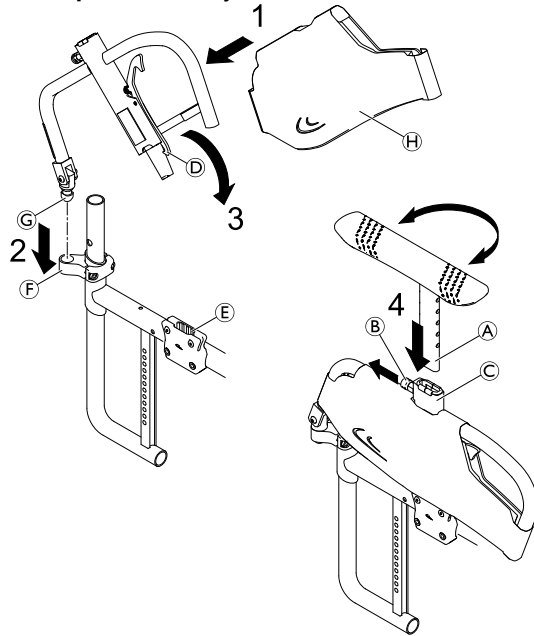


1. Empurre a alavanca de desengate ① e rode a unidade de apoio de braço para cima, para fora do suporte do apoio de braço ②.
2. Rode a unidade do apoio de braço 45° para fora.
3. Puxe a unidade do apoio de braço para cima, para fora da articulação ③.

### Remover a cobertura


A cobertura pode ser removida para ser lavada à máquina a 30 °C.

1. Puxe o fecho do parafuso de mola ④ para fora, agarre na almofada do apoio de braço em T ⑤ e puxe-a para fora do suporte ⑥.
2. Remova a cobertura ⑦ da unidade do apoio de braço abrindo os fechos de velcro de ambos os lados.

**Instalar o apoio de braço**

1. Instale a cobertura do apoio de braço (H) na unidade de apoio de braço, se ainda não a tiver colocado.
2. Insira o pino da articulação (G) da unidade do apoio de braço na articulação (F) até engatar com um estalido.
3. Rode a unidade do apoio de braço para baixo, inserindo-a no suporte do apoio de braço (E) até o gancho da alavanca de desengate (D) engatar com um estalido.

4. Puxe o fecho do parafuso de mola (B) para fora e insira a barra da almofada do apoio de braço em T (A) no suporte (C) até à altura necessária.

 Opcionalmente, a almofada do apoio de braço em T pode ser inserida voltada 180°.

5. Solte o fecho do parafuso de mola e permite que a barra da almofada do apoio de braço em T engate com um estalido no orifício mais próximo.

**Ajustar a altura**

1. Puxe o fecho do parafuso de mola (B) para fora e mova a almofada do apoio de braço (A) até à altura necessária.
2. Solte o fecho do parafuso de mola e deixe-o engatar com um estalido no orifício mais próximo.

**ADVERTÊNCIA!  
Risco de lesão**

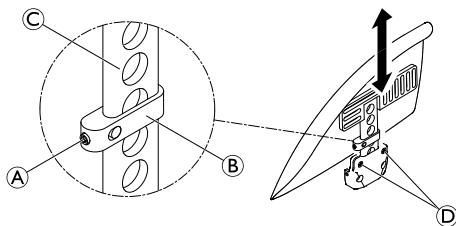
Mesmo que os apoios de braço estejam encaixados, não foram concebidos para transportar o peso da cadeira de rodas ocupada.

- Nunca utilize os apoios de braço para levantar a cadeira de rodas.
- Não utilize os apoios de braço para transporte ao levar a cadeira de rodas para cima ou para baixo.

**3.12 Guarda-lama**

É possível instalar um guarda-lama removível para oferecer proteção contra a projeção de sujeira das rodas. A

posição do guarda-lama pode ser ajustada. O ajuste deve ser efetuado por um fornecedor especialista.



#### **ADVERTÊNCIA!** **Risco de lesão**

Os guarda-lamas não estão bloqueados e podem ser facilmente puxados para cima.

- Não levante nem transfira a cadeira de rodas utilizando os guarda-lamas.
- Não utilize os guarda-lamas para transporte ao levar a cadeira de rodas para cima ou para baixo.

#### **Remover**

1. Puxe o guarda-lama para cima, para fora do suporte.
2. Para ajustar a facilidade ou dificuldade de remoção do guarda-lama do suporte, é possível alterar o grau de aperto dos parafusos ©.

#### **Instalar**

1. Pressione o guarda-lama contra o suporte.

#### **Ajustar a altura**

1. Desaperte ligeiramente o parafuso sem cabeça © da peça de fixação ©.
2. Desloque a peça de fixação para cima ou para baixo no perfil © até atingir a altura pretendida.
3. Volte a apertar o parafuso sem cabeça.
4. Aplique o mesmo ajuste nos dois lados.

#### **3.13 Dispositivo antiqueda**

Um dispositivo antiqueda impede que a cadeira de rodas se incline para trás.



#### **ADVERTÊNCIA!** **Risco de capotagem**

Dispositivos antiqueda que sejam incorretamente instalados ou que deixem de funcionar podem resultar em capotagem.

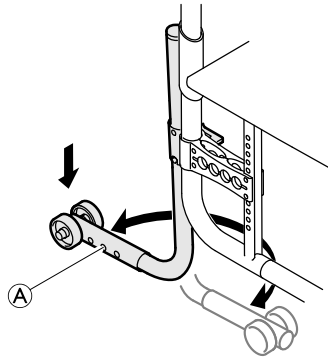
- Verifique sempre se o dispositivo antiqueda funciona antes de utilizar a cadeira de rodas e providencie a sua regulação ou reajuste por um fornecedor especialista.



#### **ADVERTÊNCIA!** **Risco de capotagem**

Se a superfície for irregular ou macia, o dispositivo antiqueda pode ficar preso em buracos no pavimento, o que pode limitar ou eliminar a sua função de segurança.

- Utilize o dispositivo antiqueda apenas quando se deslocar numa superfície regular e firme.



### Ativar o dispositivo antiqueda

1. Pressione o dispositivo antiqueda completamente para baixo e rode-o para trás até este engatar.



#### ADVERTÊNCIA!

#### Risco de basculação

Um dispositivo antiqueda ativado pode ficar preso ao tentar transpor um degrau ou uma extremidade.

- Desative sempre o dispositivo antiqueda antes de se deslocar sobre um degrau ou passeio.

### Desativar o dispositivo antiqueda

1. Pressione o dispositivo antiqueda completamente para baixo e rode-o para a frente até este engatar.

### Definir a altura

1. Prima o pino de mola (A) no dispositivo antiqueda e pressione a secção exterior até ficar na posição pretendida. Permita que o pino de mola engate no orifício mais próximo.




Se forem necessários ajustes adicionais de altura e/ou posição, consulte o seu fornecedor especialista.


### 3.14 Pneus


A pressão ideal depende do tipo de pneu:

A tabela abaixo serve de orientação. Caso o pneu seja diferente da lista abaixo, verifique o lado do pneu - muitas vezes a pressão máxima é indicada aí.

Pneu	Pressão máx.		
Pneu de perfil	7 bar	700 kPa	101 psi
Schwalbe® Marathon Plus	10 bar	1000 kPa	145 psi
Schwalbe® One	10 bar	1000 kPa	145 psi
Schwalbe® Rightrun	10 bar	1000 kPa	145 psi
Pneu sólido, perfil, cinzento	-	-	-
Pneu sólido (tipo KIK), preto	-	-	-
Roda leve, sólida	-	-	-

 A compatibilidade dos pneus listados acima depende da configuração e/ou do modelo da cadeira de rodas.

 Em caso de furo num pneu, consulte um estabelecimento adequado (por exemplo, uma oficina de reparação de bicicletas ou um fornecedor de bicicletas) para que o tubo seja substituído por uma pessoa qualificada.

 O tamanho do pneu é indicado na parede lateral do pneu. A substituição com os pneus adequados deve ser efetuada por um fornecedor especialista.



#### **ATENÇÃO!**

– A pressão dos pneus tem de ser igual em ambas as rodas para evitar um menor conforto na condução, para manter os travões de estacionamento a funcionar corretamente e para facilitar a propulsão da cadeira de rodas.

### **3.15 Almofada do assento**

É necessária uma almofada adequada para proporcionar uma distribuição da pressão uniforme no assento.



#### **ATENÇÃO!**

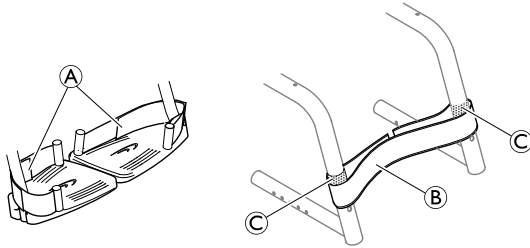
Ao adicionar uma almofada ao assento irá subir a sua altura em relação ao solo, o que poderá afetar a estabilidade em todas as direções. Se uma almofada for substituída também pode afetar a estabilidade do utilizador. Se a espessura da almofada mudar, é necessária uma reconfiguração completa da cadeira de rodas por um fornecedor especialista.



Utilize uma almofada do assento com uma capa antiderrapante ou bandas de fixação para evitar que a almofada do assento escorregue. A capa do assento está pré-equipada com uma banda de fixação.

### **3.16 Presilha da barriga das pernas/fita para calcanhar**

É possível instalar uma presilha da barriga das pernas e/ou fitas para calcanhar nos apoios de pernas da cadeira de rodas para proporcionar uma melhor posição às pernas do utilizador.



### Ajustar as fitas para calcanhar

1. Ajuste as fitas para calcanhar ① para a profundidade pretendida utilizando os fechos de velcro.

### Fixar/ajustar a presilha da barriga das pernas

1. Desdobre a cadeira de rodas completamente.
2. Fixe e ajuste a presilha da barriga das pernas ② à volta dos fechos de velcro ③ em ambas as peças do chassis.

## 4 ACESSÓRIOS

### 4.1 Cinto de postura

A cadeira de rodas pode ser equipada com um cinto de postura. O cinto de postura impede o utilizador de deslizar para baixo na cadeira de rodas ou de cair da mesma. O cinto de postura não é um dispositivo de posicionamento.

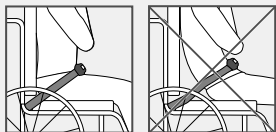


#### ADVERTÊNCIA!

##### Risco de lesão grave / estrangulamento

Um cinto frouxo pode permitir que um utilizador escorregue para baixo, criando um risco de estrangulamento.

- O cinto de postura deve ser montado por um técnico qualificado e ajustado pelo responsável pela prescrição.
- Certifique-se sempre de que o cinto de postura está bem ajustado ao longo da parte inferior da pélvis.
- Verifique se o cinto de postura está bem ajustado, sempre que for utilizado. Alterações no assento e/ou no ângulo do encosto, na almofada e até no vestuário do utilizador influenciam o ajuste do cinto.



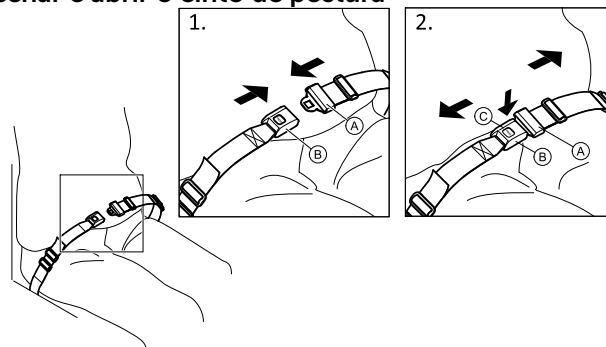
#### ADVERTÊNCIA!

##### Risco de lesão grave durante o transporte

Num veículo, um utilizador na sua cadeira de rodas deve estar preso por um cinto de segurança (cinto de 3 pontos). Só o cinto de postura não é suficiente como um dispositivo de retenção pessoal.

- Utilize o cinto de postura como um complemento, mas não como um substituto do cinto de segurança de 3 pontos quando transportar o utilizador da cadeira de rodas num veículo.

#### Fechar e abrir o cinto de postura



Certifique-se de que está totalmente encostado ao assento e que a pélvis está numa posição tão vertical e simétrica quanto possível.

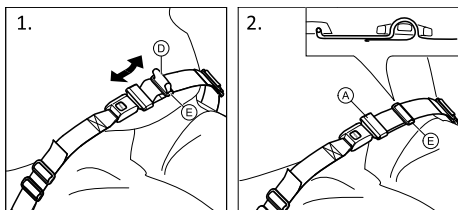


1. Para fechar, empurre a lingueta **A** contra a fivela **B**.
2. Para abrir, empurre o botão PRESS **C** e puxe a lingueta **A** para fora da fivela **B**.

### Ajustar o comprimento



O cinto de postura tem um bom comprimento quando existe espaço suficiente para uma mão direita entre o corpo e o cinto.



1. Encurte ou alargue a alça **D**, conforme necessário.
2. Passe a alça **D** pela lingueta **A** e pela fivela de plástico **E** até estar direita.

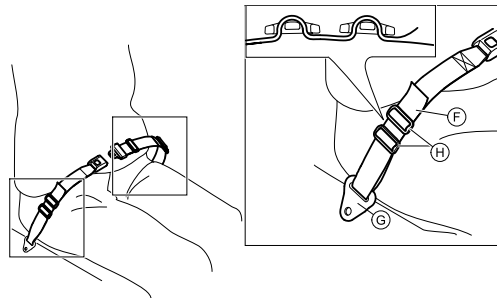
Se o ajuste não for suficiente, pode ser necessário reajustar o cinto de postura nas fixações.

### Ajustar o cinto de postura nas fixações



#### ATENÇÃO!

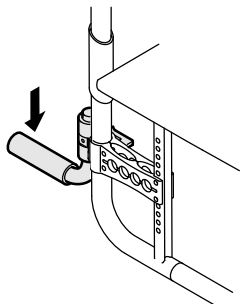
- Passe a alça do cinto através de ambas as fivelas de plástico para evitar que fique frouxo.
- Faça os ajustes de forma igual em ambos os lados, para que a fivela permaneça numa posição central.
- Certifique-se de que os cintos não ficam presos nos espigões de uma roda traseira.



1. Passe a alça **F** através da fixação na cadeira **G** e, em seguida, por **AMBAS** as fivelas de plástico **H**.

## 4.2 Dispositivo basculante

Com o dispositivo basculante, o acompanhante pode elevar mais facilmente a cadeira de rodas, por exemplo para subir um degrau.



### **ADVERTÊNCIA!** **Risco de queda**

– O dispositivo basculante não pode ultrapassar o diâmetro exterior da roda de trás.

1. Segure a cadeira de rodas pelos punhos.
2. Pise o dispositivo basculante com um pé e segure a cadeira de rodas na posição tombada até ter ultrapassado o obstáculo.

## 4.3 Bomba de ar

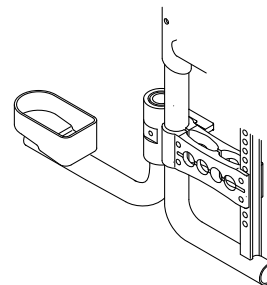
A bomba de ar vem equipada com uma ligação de válvula universal.

1. Retire a tampa anti-pó da ligação da válvula.
2. Pressione a ligação da válvula sobre a válvula aberta da roda e encha o pneu.

## 4.4 Reflectores

Poderá fixar reflectores nas rodas traseiras.

## 4.5 Suporte para bengala



### **ADVERTÊNCIA!** **Risco de queda**

– O suporte para bengala não pode ultrapassar o diâmetro exterior da roda de trás.

1. Coloque a bengala no suporte.
2. Fixe a bengala em cima no encosto.

## 4.6 Rodas de trânsito

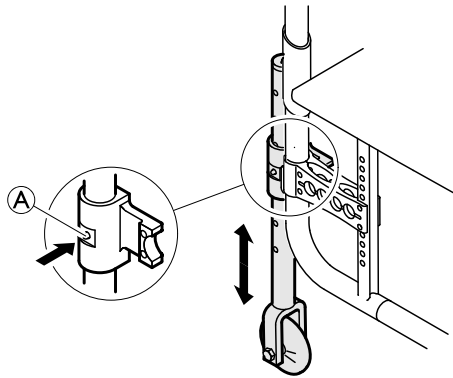
Se a sua cadeira de rodas for demasiado larga para determinadas situações, por exemplo, comboios, aviões, passagens estreitas e portas estreitas, pode utilizar as rodas de trânsito.



### ADVERTÊNCIA!

#### Risco de acidentes graves

- Quando utiliza as rodas de trânsito, os travões de estacionamento deixam de ter efeito e não pode controlar a cadeira de rodas através dos aros de mão.



### Passar para as rodas de trânsito

1. Baixe as rodas de trânsito para a posição de funcionamento. Para tal, pressione o pino **A** para dentro até conseguir puxar o tubo para baixo.
2. Pressione o segundo pino para dentro.
3. Puxe o tubo mais para baixo, até o pino engatar na ranhura.
4. Aproxime a cadeira de rodas de um objeto estável (ombreira de porta, mesa pesada), que possa utilizar como apoio e ao qual se possa agarrar bem com uma mão.
5. Incline a cadeira de rodas até a roda traseira do lado oposto se levantar do chão.



Antes de remover as rodas traseiras, a distância entre as rodas de trânsito baixadas e o chão não deve ser superior a 2 cm.

6. Remova a roda traseira, **® 7.3 Remover e instalar as rodas traseiras, página 162**
7. Repita o processo no outro lado.

### Mudar das rodas de trânsito para as rodas traseiras

1. Aproxime a cadeira de rodas de um objeto estável, que possa utilizar como apoio e ao qual se possa agarrar bem com uma mão.
2. Incline a cadeira de rodas até a roda de trânsito do lado oposto se levantar ligeiramente do chão.
3. Instale a roda traseira de novo no eixo removível, **® 7.3 Remover e instalar as rodas traseiras, página 162**

4. Coloque as rodas de trânsito de novo na posição inativa.
5. Repita o processo no outro lado.

## 4.7 Porta-bagagens

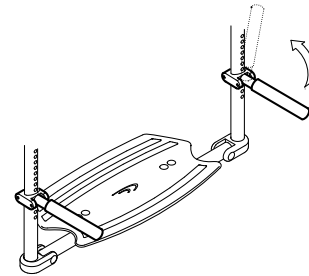
A cadeira de rodas pode ser equipada com um porta-bagagens. Quando o porta-bagagens não é utilizado, é possível dobrá-lo.



### **ADVERTÊNCIA!**

#### **Risco de basculação**

- O peso no porta-bagagens muda o comportamento basculante da cadeira de rodas. A cadeira de rodas pode inclinar-se para a frente mais facilmente quando o porta-bagagens está carregado.
- Utilize o porta-bagagens apenas para transportar bagagem leve e de pequena dimensão.
  - Evite conduzir a cadeira de rodas a maiores velocidades enquanto transportar bagagem.
  - Evite conduzir sobre rampas e percursos inclinados enquanto transportar bagagem.
  - Não se apoie no porta-bagagens.



---

## 5 CONFIGURAÇÃO

---

### 5.1 Informações de segurança

**ATENÇÃO!****Risco de lesão**

- Antes de utilizar a cadeira de rodas, verifique a sua condição geral e as suas funções principais. Consulte a secção 8.2 *Plano de manutenção, página 170*.

O seu fornecedor especialista irá facultar-lhe a sua cadeira de rodas pronta a utilizar. O fornecedor irá explicar as funções principais e irá assegurar que a cadeira de rodas preenche as suas necessidades e requisitos.

Os ajustes na posição do eixo e nos suportes da roda dianteira devem ser realizados por um fornecedor especialista.

Se receber a cadeira de rodas dobrada, leia a secção 7.2 *Encarte e abertura da cadeira de rodas, página 161*.

## 6 UTILIZAR A CADEIRA

### 6.1 Informações de segurança



#### **ADVERTÊNCIA!**

##### **Risco de acidentes**

Uma pressão dos pneus irregular pode ter um impacto enorme no manuseamento.

- Verifique a pressão dos pneus antes de cada viagem.



#### **ADVERTÊNCIA!**

##### **Risco de queda para fora da cadeira de rodas**

Ao utilizar rodas dianteiras pequenas, a cadeira de rodas pode ficar presa em passeios ou em ranhuras do pavimento.

- Certifique-se de que as rodas dianteiras são adequadas para a superfície na qual está a conduzir.



#### **ATENÇÃO!**

##### **Risco de esmagamento**

Pode existir um espaço muito pequeno entre a roda traseira e o guarda-lama ou o travão de estacionamento, implicando o risco de entalamento dos seus dedos.

- Certifique-se de que impulsiona sempre a cadeira de rodas utilizando apenas os aros de mãos.

Em casos raros os materiais utilizados na cadeira de rodas podem ativar sistemas antirroubo e de deteção de metal.

### Sistemas antirroubo e de deteção de metal

## 6.2 Travagem durante a utilização

Quando se desloca, trava transferindo força para o aro de mão com as mãos.



### ADVERTÊNCIA!

#### Risco de capotagem

Se aplicar os travões de estacionamento enquanto se está deslocar, a direção dos movimentos pode ficar incontrolável e a cadeira de rodas pode parar subitamente, o que pode resultar numa colisão ou na sua queda.

- Nunca aplique os travões de estacionamento enquanto se está a deslocar.



### ADVERTÊNCIA!

#### Risco de queda para fora da cadeira de rodas

Se a cadeira de rodas for rapidamente desacelerada por um assistente ao puxar os punhos, o utilizador pode cair da cadeira de rodas.

- Aplique sempre o cinto de postura, caso disponível.
- Certifique-se de que o assistente recebeu treino individual sobre a transferência de cadeiras de rodas ocupadas.



### ATENÇÃO!

#### Risco de queimaduras nas mãos

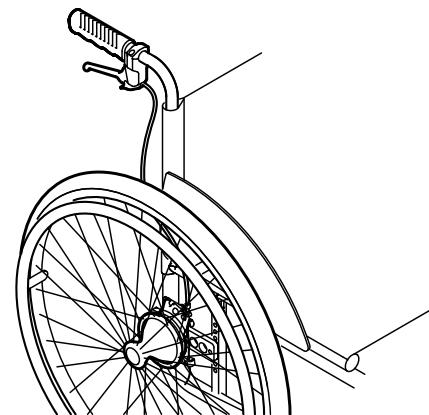
Se travar durante muito tempo, será produzido muito calor por fricção nos aros de mãos (especialmente nos modelos MaxGrepp e Supergripp).

- Use luvas adequadas.

1. Agarre os aros de mãos e pressione de modo uniforme com ambas as mãos até a cadeira de rodas parar.

### Travagem com um assistente

Com um travão para um assistente (travão tambor), um assistente pode travar a cadeira de rodas durante a sua deslocação. O travão para o assistente também pode ser utilizado como um travão de estacionamento.



1. Para travar, puxe a alavanca de travagem no punho.
2. Para estacionar, puxe a alavanca de travagem com firmeza até a alavanca de segurança engatar.
3. Para soltar o travão, puxe a alavanca de travagem e solte a alavanca de segurança por baixo da alavanca de travagem.

### 6.3 Sentar-se e levantar-se da cadeira de rodas



#### **ADVERTÊNCIA!**

##### **Risco de capotagem**

Existe um risco elevado de capotagem durante a transferência.

- Para sentar-se e levantar-se sem assistência, é necessário estar fisicamente apto para o fazer.
- Durante a transferência, coloque-se o mais recuado possível no assento. Isto previne que os estofos se danifiquem, além da possibilidade de a cadeira de rodas tombar para a frente.
- Certifique-se de que ambos os rodízios estão voltados para a frente.



#### **ADVERTÊNCIA!**

##### **Risco de capotagem**

A cadeira de rodas pode tombar para a frente se o utilizador se puser de pé no apoio de pés.

- Nunca se ponha de pé no apoio de pés ao sentar-se e levantar-se.



#### **ATENÇÃO!**

Se soltar ou danificar os travões, a cadeira de rodas pode deslizar sem controlo.

- Não se apoie nos travões ao sentar-se e levantar-se.



#### **IMPORTANTE!**

Os guarda-lamas e os apoios de braços podem ficar danificados.

- Nunca se sente nos guarda-lamas ou nos apoios de braços ao sentar-se e levantar-se.



1. Desloque a cadeira de rodas o mais perto possível do assento para o qual pretende transferir o corpo.
2. Aplique os travões de estacionamento.
3. Remova os apoios de braços ou rode-os para cima para desimpedir a saída.
4. Remova os apoios de pernas ou afaste-os para fora.
5. Coloque os pés no chão.



6. Segure a cadeira de rodas e, se necessário, apoie-se num objeto fixo na vizinhança.
7. Afaste-se lentamente da cadeira de rodas.

## 6.4 Condução e manobra da cadeira de rodas

O utilizador conduz e manobra a cadeira de rodas utilizando os aros motores.

Antes de conduzir sem a ajuda de um assistente tem de localizar o ponto de basculação da cadeira de rodas.



### **ADVERTÊNCIA!**

#### **Risco de basculação**

A cadeira de rodas pode tombar para trás se não estiver equipada com um dispositivo antiqueda. Enquanto tenta localizar o ponto de basculação, deve existir um assistente atrás da cadeira de rodas para a segurar se esta tombar.

- Para impedir que tombe, instale um dispositivo antiqueda.



### **ADVERTÊNCIA!**

#### **Risco de basculação**

A cadeira de rodas pode tombar para a frente.

- Ao preparar a cadeira de rodas, teste o seu comportamento basculante para a frente e ajuste o estilo de condução em conformidade.

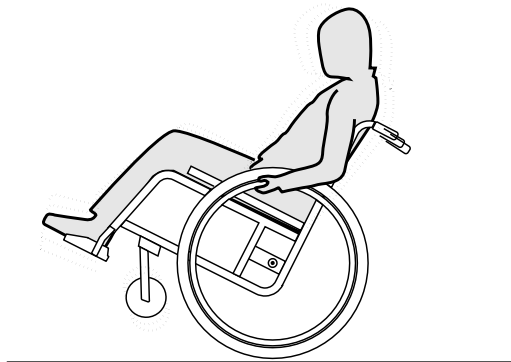


### **ATENÇÃO!**

Uma carga pesada pendurada no encosto pode afetar o centro de gravidade da cadeira de rodas.

- Adapte o estilo de condução em conformidade.

## Localização do ponto de basculação



1. Solte o travão.
2. Desloque-se ligeiramente para trás, agarre ambos os aros motores com firmeza e impulsiona para a frente com um ligeiro pontapé.
3. A deslocação de peso e a condução nas direcções opostas com os aros motores irão permitir-lhe identificar o ponto de basculação.

## 6.5 Passar sobre degraus e bordas do passeio



### **ADVERTÊNCIA!**

#### **Risco de queda**

Ao passar sobre degraus, poderá perder o equilíbrio e tombar com a cadeira de rodas.

- Passe sobre os degraus e as bordas de passeio lentamente e com cuidado.
- Não passe sobre degraus que sejam mais altos do que 25 cm.



### **ATENÇÃO!**

Uma roda anti-volteio activa evita que a cadeira de rodas possa tombar para trás.

- Desactive a roda anti-volteio sempre que tiver de conduzir sobre um degrau ou a borda de um passeio.

## Com acompanhante



## Descer um degrau

1. Conduza a cadeira de rodas até à borda e agarre-se aos aros motores.
2. O acompanhante segura ambos os punhos, coloca um pé junto da roda anti-volteio (caso montada) e inclina a cadeira de rodas para trás, de forma a levantar as rodas dianteiras do chão.
3. O acompanhante segura a cadeira de rodas nesta posição, empurra-a cuidadosamente para descer o degrau e inclina a cadeira para a frente até as rodas dianteiras tocarem novamente no chão.

## Subir um degrau



### ADVERTÊNCIA!

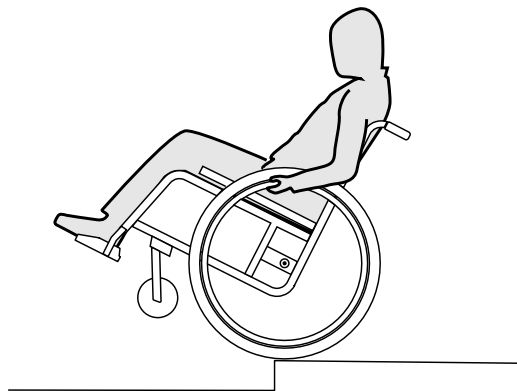
#### Risco de lesões graves

A condução sobre degraus e lancis pode resultar em danos precoces por fadiga no encosto da cadeira de rodas.

- O utilizador pode cair para fora da cadeira de rodas.

1. Conduza a cadeira de rodas de forma a que as rodas traseiras atinjam a borda.
2. Segurando ambos os punhos, o acompanhante inclina a cadeira de rodas de forma a que as rodas dianteiras se ergam do chão e empurra as rodas traseiras sobre a borda até que as rodas dianteiras possam ser colocadas no chão.

## Sem acompanhante



## Descer um degrau

1. Conduza a cadeira de rodas até à borda, levante as rodas dianteiras e equilibre-se.
2. Agora, com cuidado, passe com ambas as rodas traseiras sobre a borda. Ao fazê-lo, agarre-se bem aos aros motores até as rodas dianteiras tocarem novamente no chão.



### **ADVERTÊNCIA!**

#### **Risco de queda**

Quando desce um degrau sem o auxílio de um acompanhante, poderá tombar para trás, caso não domine a cadeira de rodas.

- Aprenda, em primeiro lugar, como descer um degrau com o auxílio de um acompanhante.
- Aprenda a equilibrar-se com as rodas traseiras, *6.4 Condução e manobra da cadeira de rodas, página 153.*

## 6.6 Passar sobre escadas

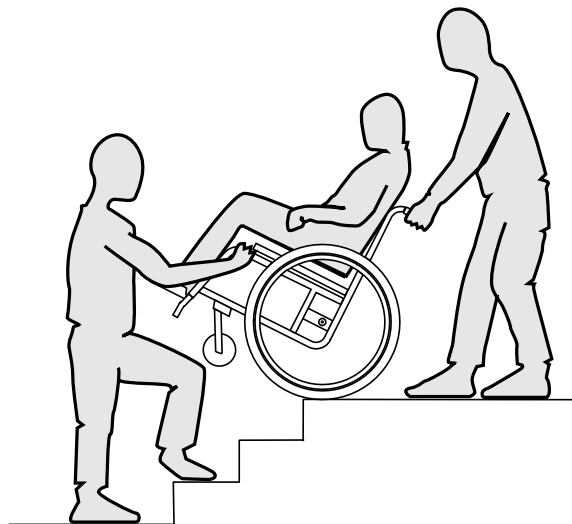


### **ADVERTÊNCIA!**

#### **Risco de queda**

Ao passar sobre escadas, poderá perder o equilíbrio e cair com a cadeira de rodas.

- Tente passar sobre escadas sempre com o auxílio de dois acompanhantes.



1. As escadas podem ser ultrapassadas, na medida em que se passa um degrau de cada vez, tal como acima descrito. Para tal, o primeiro acompanhante deve colocar-se atrás da cadeira de rodas e segurá-la pelos punhos. O segundo acompanhante segura numa parte fixa do chassis dianteiro, estando, assim, a cadeira de rodas segura pela frente.

## 6.7 Conduzir sobre rampas e subidas



### ADVERTÊNCIA!

#### Risco causado por condução descontrolada

Em subidas ou descidas, a cadeira de rodas pode tombar para trás, para o lado ou para a frente.

- Tente subir as longas inclinações sempre com o auxílio de um acompanhante atrás da cadeira.
- Evite inclinações laterais.
- Evite as subidas com uma inclinação superior a 7°.
- Em subidas, evite mudar de direcção de repente.



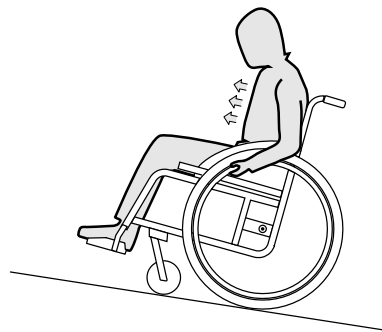
### ATENÇÃO!

Mesmo em descidas não muito acentuadas, A cadeira pode deslizar se não a controlar através dos aros motores.

- Accione o travão de estacionamento quando estiver parado com a cadeira em descidas.

### Subir

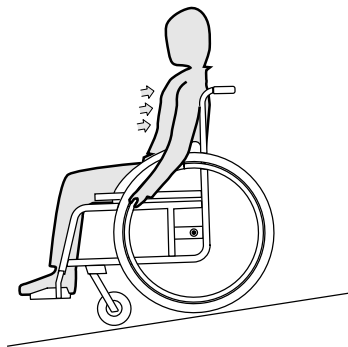
Para conduzir a subir, tem de tomar balanço, manter o balanço e, simultaneamente, controlar a direcção.



1. Incline a parte superior do corpo para a frente e conduza a cadeira com empurrões rápidos e fortes nos aros motores.

## Descer

Ao descer, é importante controlar a direcção e, sobretudo, a velocidade.



1. Encoste-se e deixe os aros motores deslizarem cuidadosamente pelas suas mãos. Deverá sempre conseguir parar a cadeira de rodas ao segurar os aros motores.



### **ATENÇÃO!** **Risco de queimadura**

Os aros (especialmente os MaxGrepp e os Supergripp) podem aquecer quando trava durante algum tempo. Poderá queimar as palmas das mãos.

- Utilize luvas adequadas.

## 6.8 Estabilidade e equilíbrio enquanto está sentado

Nalgumas actividades e acções do quotidiano, torna-se necessário debruçar-se da cadeira de rodas, para a frente, para o lado ou para trás. Isto influencia muito a estabilidade da cadeira de rodas. De forma a manter sempre o equilíbrio, tenha em atenção o seguinte:

### Debruçar-se para a frente

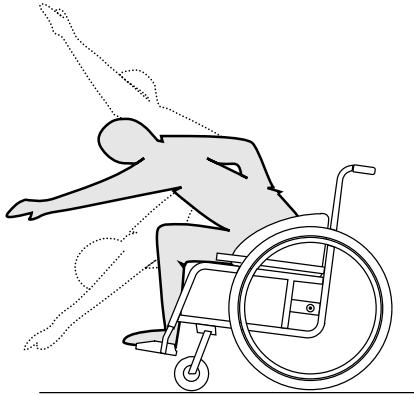


#### **ADVERTÊNCIA!**

#### **Risco de queda**

Quando se debruça da cadeira de rodas, poderá cair da mesma.

- Não se incline demasiado para a frente e não deslize para a frente no assento para chegar a um objecto.
- Não se incline entre os joelhos para a frente para apanhar um objecto do chão.



1. Posicione as rodas dianteiras para a frente. (Para tal, ande um pouco com a cadeira de rodas para a frente e depois para trás.)
2. Accione ambos os travões de estacionamento.
3. Debruce-se para a frente apenas até a parte superior do seu corpo ficar sobre as rodas dianteiras.

### Estender a mão para trás para alcançar um objecto

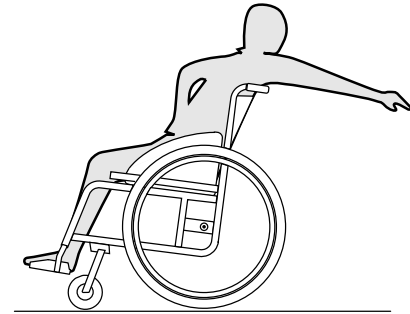


#### **ADVERTÊNCIA!**

#### **Risco de queda**

Se se inclinar demasiado para trás, poderá cair com a cadeira.

- Não se debruce para além do encosto da cadeira.
- Utilize um mecanismo anti-volteio.



1. Posicione as rodas dianteiras para a frente. (Para tal, ande um pouco com a cadeira de rodas para a frente e depois para trás.)
2. Não accione os travões de estacionamento.
3. Estenda ao máximo a mão para trás sem alterar a sua posição no assento.



## 7 TRANSPORTE

### 7.1 Informações de segurança



#### ADVERTÊNCIA!

#### Risco de lesão se a cadeira de rodas não estiver devidamente fixada

Em caso de acidente, manobra de travagem, etc., o utilizador pode sofrer lesões graves devido à projeção de peças da cadeira de rodas pelo ar.

- Retire sempre as rodas traseiras quando transportar a cadeira de rodas.
- Prenda com firmeza todos os componentes da cadeira de rodas para prevenir que se soltem durante a viagem.



#### IMPORTANTE!

A utilização excessiva e a abrasão podem afetar a resistência das peças de suporte de carga.

- Não puxe a cadeira de rodas por superfícies abrasivas sem as rodas colocadas (por exemplo, puxar o chassis sobre asfalto).

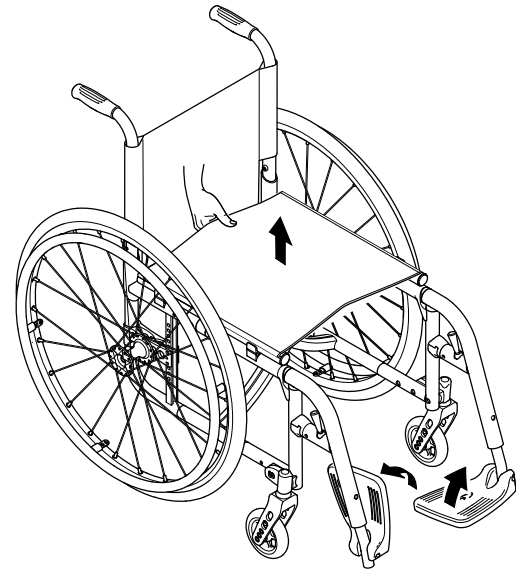
### 7.2 Encarte e abertura da cadeira de rodas



#### IMPORTANTE!

- Não dobre nem desdobre a cadeira de rodas quando o encosto está rebatido.

### Dobragem da cadeira de rodas



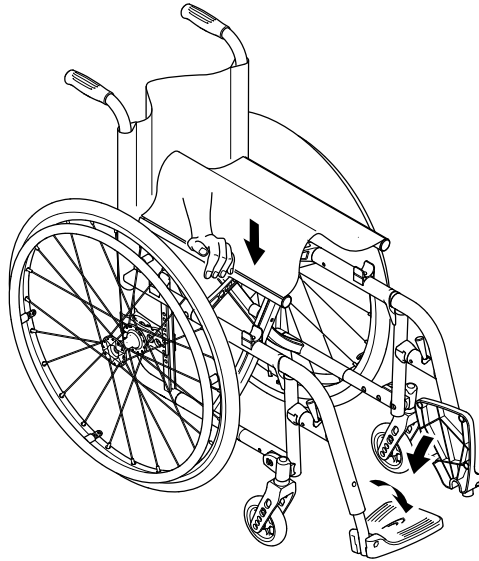
#### IMPORTANTE!

- Solte a barra estabilizadora, caso presente, antes de dobrar a cadeira de rodas.

1. Remova a almofada do assento, caso presente.
2. Dobre os apoios de pés para cima.

3. Puxe a capa do assento para cima.
4. Se a cadeira de rodas estiver equipada com um encosto rebatível, agora pode dobrar o encosto para baixo.

### Desdobrar a cadeira de rodas



#### ATENÇÃO!

##### Risco de entalar os dedos

Existe um risco de entalar os dedos entre a extremidade do assento e o chassi.

- Nunca agarre a extremidade do assento com os dedos.

1. Posicione a cadeira de rodas junto a si.
2. Se o encosto estiver dobrado para baixo, dobre-o para cima.
3. Se possível, incline a cadeira de rodas suavemente na sua direção.
4. Com a mão direita, pressione a extremidade do assento mais próxima de si, de modo a endireitar a superfície do assento.
5. Coloque a cadeira de rodas completamente no chão e certifique-se de que as extremidades do assento em ambos os lados estão nos componentes da guia.
6. Dobre os apoios de pés para baixo.

### 7.3 Remover e instalar as rodas traseiras

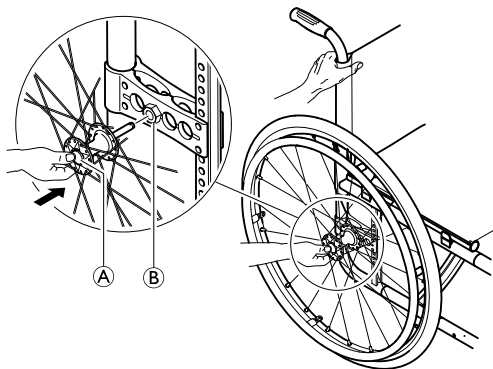


#### ADVERTÊNCIA!

##### Risco de capotagem

Se o eixo removível de uma roda traseira não estiver totalmente encaixado, a roda pode soltar-se durante a utilização. Tal poderá resultar em capotagem.

- Certifique-se sempre de que os eixos removíveis estão totalmente engatados sempre que instalar uma roda.



### Remover as rodas traseiras

1. Desengate os travões de estacionamento.
2. Com uma mão, segure a cadeira de rodas na posição vertical.
3. Com a outra mão, segure a roda através do suporte externo do aro, em redor do cubo da roda.
4. Com o polegar, prima o botão de eixo removível (A). Mantenha o botão premido e puxe a roda para fora do tubo adaptador (B).

### Instalar as rodas traseiras

1. Desengate os travões de estacionamento.
2. Com uma mão, segure a cadeira de rodas na posição vertical.
3. Com a outra mão, segure a roda através do suporte externo do aro, em redor do cubo da roda.
4. Com o polegar, mantenha o botão do eixo removível (A) premido.

5. Introduza o eixo no tubo adaptador (B) até à marca de paragem.
6. Solte o botão do eixo removível e certifique-se de que a roda está fixa.

## 7.4 Transportar a cadeira de rodas ocupada num veículo

Mesmo prendendo adequadamente a cadeira de rodas e respeitando as regras que se seguem, é possível que os passageiros se lesionem em virtude de uma colisão ou de uma paragem brusca. Como tal, a Invacare recomenda vivamente que o utilizador da cadeira de rodas seja transferido para o assento do veículo com o cinto de segurança colocado. Não altere nem substitua os pontos da cadeira de rodas (estrutura, chassis ou peças) sem a autorização escrita da Invacare. A cadeira de rodas foi testada com êxito de acordo com os requisitos da norma ISO 7176-19.



### ADVERTÊNCIA!

#### Risco de lesão grave ou morte

Para utilizar a cadeira de rodas como um assento num veículo a altura do encosto terá de ser de pelo menos 400 mm.

Para transportar a cadeira de rodas com o utilizador num veículo, este deverá estar equipado com um sistema de retenção. Os sistemas de retenção do ocupante e de refreio da cadeira de rodas têm de estar aprovados em conformidade com a norma ISO 10542-1. Contacte o seu representante local ou fornecedor especialista da Invacare

para obter mais informações sobre a obtenção e instalação de um sistema de retenção aprovado e compatível.



#### **ADVERTÊNCIA!**

Se, por alguma razão, for impossível transferir o utilizador da cadeira de rodas para um assento do veículo, a cadeira de rodas pode ser utilizada como assento num veículo, desde que se cumpram os procedimentos e regulamentos seguintes. Um kit de transporte (opcional) tem de ser instalado na cadeira de rodas para esse efeito.

- A cadeira de rodas deve estar presa ao veículo através de um sistema de retenção de cadeira de rodas de 4 pontos.
- O utilizador tem de usar um sistema de retenção de passageiro de 3 pontos, o qual estará preso ao veículo.



#### **ADVERTÊNCIA!**

Os dispositivos de retenção de segurança só devem ser utilizados quando o peso do utilizador da cadeira de rodas for igual ou superior a 22 kg (ISO-7176-19).

- Não utilize a cadeira de rodas como assento num veículo, quando o peso do utilizador for inferior a 22 kg.



#### **ADVERTÊNCIA!**

- Antes da viagem, contacte a empresa transportadora e solicite informações sobre a capacidade de utilização do equipamento necessário, abaixo indicado.
- Certifique-se de que há espaço livre suficiente em torno da cadeira de rodas e do utilizador para evitar que este entre em contacto com os outros ocupantes do veículo, as peças não almofadadas do veículo, os acessórios da cadeira de rodas ou os pontos de ancoragem do sistema de retenção.



#### **ADVERTÊNCIA!**

- Certifique-se de que os pontos de refreio da cadeira de rodas não estão danificados e que os travões de estacionamento estão totalmente operacionais.
- Recomenda-se a utilização de pneus à prova de furos durante o transporte para evitar problemas de travagem devido a uma pressão dos pneus reduzida.

**ADVERTÊNCIA!**

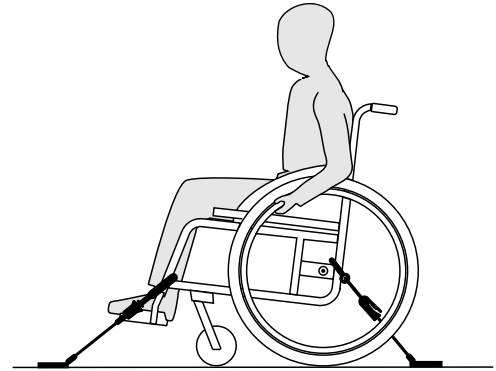
Se componentes ou acessórios da cadeira de rodas se soltarem, poderão ocorrer lesões ou danos durante uma colisão ou paragem brusca.

- Certifique-se de que todos os componentes e acessórios removíveis são retirados da cadeira de rodas e guardados com segurança no veículo.
- É essencial a verificação da cadeira de rodas por um fornecedor especialista após um acidente, colisão, etc.

**IMPORTANTE!**

Recomendamos que seja prestada formação relativamente à utilização adequada de um sistema de retenção.

- Consulte os manuais de utilização facultados com os sistemas de retenção.
- As ilustrações seguintes podem não corresponder totalmente à realidade, dependendo do fornecedor do sistema de retenção.

**Fixação da cadeira de rodas com um sistema de retenção de 4 pontos****ADVERTÊNCIA!**

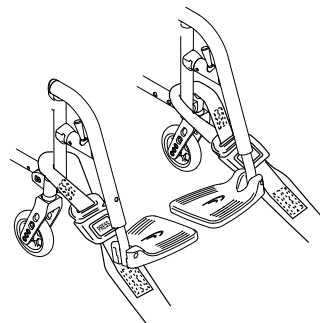
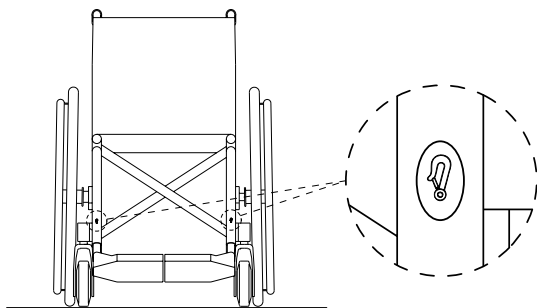
- Coloque a cadeira de rodas com o utilizador voltado para a frente na direção de deslocação do veículo.
- Aplique os travões de estacionamento da cadeira de rodas.
- Ative o dispositivo antiqueda (se estiver instalado).

As posições de refreio da cadeira de rodas onde se têm de colocar as correias do sistema de retenção estão marcadas com símbolos de ganchos fechados (consulte as figuras

que se seguem e a secção 2.3 *Etiquetas e símbolos no produto, página 127*.

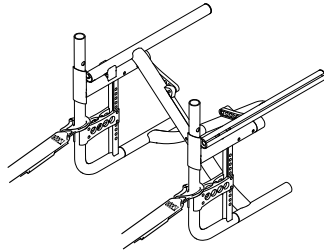
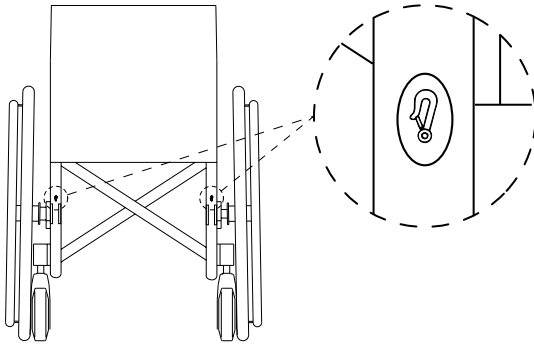
1. Utilizando as correias dianteira e traseira do sistema de retenção de 4 pontos, prenda a cadeira de rodas às guardas instaladas no veículo. Consulte o manual de utilização facultado com o sistema de retenção de 4 pontos.

Posições de refreio dianteiras das correias do cinto:



1. Instale as correias dianteiras por cima das peças de apoio do rodízio tal como ilustrado nas duas figuras acima (consulte a localização das etiquetas de encaixe).
2. Instale as correias dianteiras do sistema de guarda tendo em atenção as instruções recomendadas de melhor prática do fabricante do cinto de segurança.
3. Solte os travões de estacionamento e aplique tensão nas correias dianteiras puxando a cadeira de rodas para trás pela parte posterior.
4. Volte a aplicar os travões de estacionamento.

Posições de refreio da secção lateral para os ganchos fechados:



1. Instale os ganchos fechado no chassi posterior, mesmo acima da placa do adaptador, tal como é apresentado nas duas figuras acima (consulte a localização das etiquetas de encaixe).
2. Instale as correias traseiras do sistema de guarda tendo em atenção as instruções recomendadas de melhor prática do fabricante do cinto de segurança.
3. Aperte as correias.

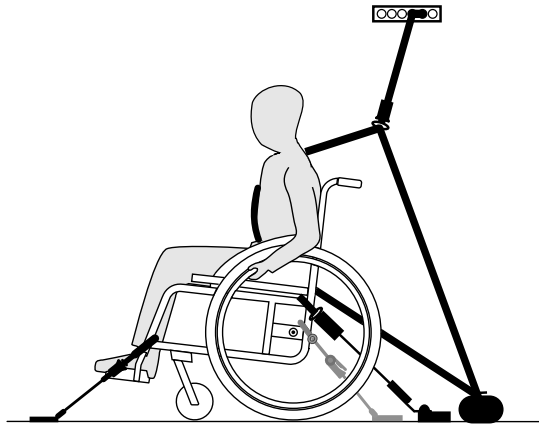
**IMPORTANTE!**

- Certifique-se de que os ganchos fechados estão revestidos com um material de resistência ao deslizamento para evitar que escorreguem lateralmente sobre o eixo.

**IMPORTANTE!**

- Verifique se as ventosas estão completamente engatadas dos dois lados e localizadas na mesma posição da secção recortada da guarda.
- Certifique-se de que os ângulos entre as guardas e as correias se encontram entre 40° e 45°.

### Fixação do sistema de retenção de passageiro de 3 pontos



### IMPORTANTE!

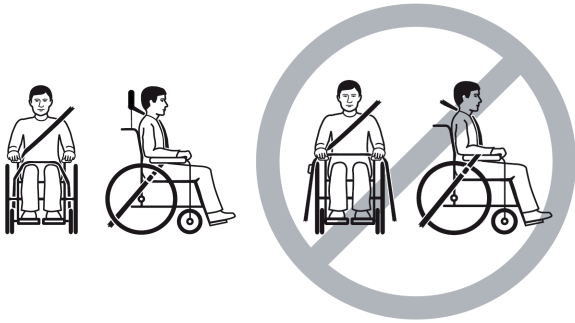
A ilustração acima pode não corresponder totalmente à realidade, dependendo do fornecedor do sistema de retenção.



### ADVERTÊNCIA!

- Certifique-se de que o sistema de retenção de passageiro de 3 pontos fica o mais ajustado que for possível ao corpo do utilizador, sem causar desconforto e sem que haja peças dobradas.
- Certifique-se de que o sistema de retenção de passageiro de 3 pontos não está afastado do corpo do utilizador devido a peças da cadeira de rodas, tais como apoios de braços ou rodas, etc.
- Certifique-se de que há uma via livre entre o utilizador e o ponto de ancoragem para a retenção do utilizador, sem interferência de qualquer parte do veículo, cadeira de rodas, assento ou acessório.
- Certifique-se de que o cinto do colo fica bem apertado sobre a pélvis do ocupante e que não há possibilidade de deslizar para cima, para a área abdominal.
- Certifique-se de que o utilizador consegue chegar ao mecanismo de desengate sem ajuda.

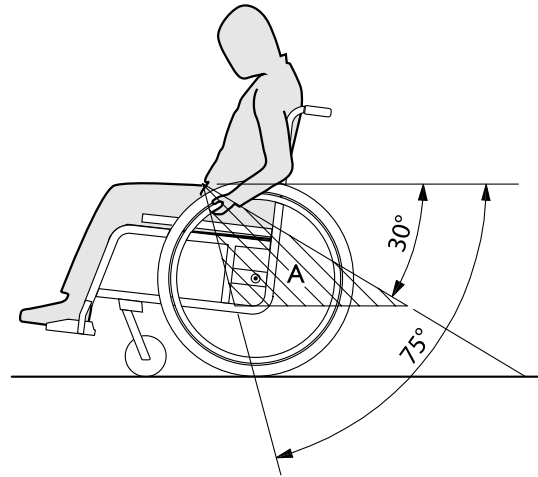




1. Instale o sistema de retenção de passageiro de 3 pontos consultando o manual de utilização fornecido com o mesmo sistema.

**!** **IMPORTANTE!**

- Aplique o cinto do colo do sistema de retenção de passageiro de 3 pontos na zona mais baixa da pélvis, para que o ângulo do cinto do colo fique na zona preferencial (A) de 30° a 75° em relação ao plano horizontal. Um ângulo mais inclinado é a melhor configuração, mas nunca deverá exceder os 75°.



## 8 MANUTENÇÃO

### 8.1 Informações de segurança



#### ADVERTÊNCIA!

Alguns materiais podem deteriorar-se naturalmente com o tempo. Isto pode resultar em danos nos componentes da cadeira de rodas.

- A cadeira de rodas deve ser verificada por um fornecedor especialista pelo menos uma vez por ano ou se não tiver sido utilizada por um período longo.




O fornecedor especialista kuschall pode facultar ajuda para a execução das operações regulares de manutenção. Para localizar um fornecedor especialista autorizado perto de si, contacte o distribuidor kuschall do seu país (fim deste documento).

### 8.2 Plano de manutenção

Para assegurar um funcionamento seguro e fiável, execute as verificações e as operações de manutenção seguintes regularmente ou providencie a sua execução por outra pessoa.

	semanal- mente	mensal- mente	anual- mente
Verificar a pressão dos pneus	x		
Verificar se as rodas traseiras assentam corretamente	x		
Verificar o cinto de postura	x		
Verificação visual		x	
Verificar as rodas dianteiras		x	
Verificar parafusos		x	
Verificar raios		x	
Verificar travões de estacionamento		x	
Providenciar a verificação da cadeira de rodas por um fornecedor especialista			x

## Verificar a pressão dos pneus

1. Verifique a pressão dos pneus.
  -  Consulte a secção "Pneus", para obter mais informações.
2. Encha os pneus à pressão necessária.
3. Ao mesmo tempo, verifique a banda de rodagem.
4. Se necessário, substitua os pneus.

## Verificar se as rodas traseiras assentam corretamente

1. Puxe a roda traseira para confirmar que o eixo removível assenta corretamente. A roda não deve sair.
2. Se as rodas traseiras não estiverem bem engatadas, remova qualquer sujidade ou depósitos. Se o problema persistir, providencie a reinstalação dos eixos removíveis por um fornecedor especialista.

## Verificar o cinto de postura

1. Verifique se o cinto de postura está ajustado corretamente.

### ! IMPORTANTE!

- Os cintos de postura soltos devem ser ajustados por um fornecedor especialista.
- Os cintos de postura danificados devem ser substituídos por um fornecedor especialista.
- Os cintos de postura devem ser sempre instalados por um fornecedor especialista.

## Verificação visual

1. Examine a sua cadeira de rodas quanto a peças soltas, fissuras ou outros defeitos.
2. Se detetar algo, providencie o exame imediato da cadeira de rodas por um fornecedor especialista.

## Verificar as rodas dianteiras

1. Verifique se as rodas dianteiras giram livremente.
2. Remova qualquer sujidade ou cabelos dos rolamentos das rodas dianteiras.
3. As rodas dianteiras defeituosas ou gastas têm de ser substituídas por um fornecedor especialista.

## Verificar os parafusos

Os parafusos podem afrouxar devido à utilização intensiva.

1. Verifique se os parafusos estão apertados (no apoio de pés, na capa do assento, nos lados, no encosto, no chassis e no módulo do assento).
2. Aperte todos os parafusos soltos com o torque adequado. Para tal consulte o manual de assistência, disponível na internet em [www.kuschall.com](http://www.kuschall.com).

### ! IMPORTANTE!

- As porcas e os parafusos de segurança perdem a sua eficácia em resultado de serem repetidamente desapertados e apertados.
  - As porcas e os parafusos de segurança têm de ser substituídos por um fornecedor especialista.

## Verificar a tensão dos raios

Os raios não devem estar soltos nem tortos.

1. Os raios soltos têm de ser apertados por um fornecedor especialista.
2. Os raios partidos têm de ser substituídos por um fornecedor especialista.

### Verificar os travões de estacionamento

1. Verifique se os travões de estacionamento estão posicionados corretamente. Se o travão de estacionamento estiver posicionado corretamente, o seu calço baixa o pneu alguns milímetros quando o travão de estacionamento é engatado.
2. Se considerar que a regulação não está correta, providencie a regulação correta dos travões de estacionamento por um fornecedor especialista.

#### ! IMPORTANTE!

- Os travões de estacionamento têm de ser novamente regulados após a substituição das rodas traseiras ou a alteração da sua posição.

### Verificar após uma forte colisão ou impacto

#### ! IMPORTANTE!

- A cadeira de rodas pode sofrer danos invisíveis em resultado de uma colisão ou impacto forte.
  - É essencial a verificação da cadeira de rodas por um fornecedor especialista após uma colisão ou impacto forte.

### Reparar ou substituir um tubo interno

1. Remova a roda traseira e solte qualquer ar do tubo interno.
2. Afaste a parede do pneu do aro utilizando uma alavanca para pneus de bicicleta. Não utilize objetos afiados, tal como uma chave de parafusos, pois podem danificar o tubo interno.
3. Retire o tubo interno do pneu.

4. Repare o tubo interno utilizando um kit de reparação para bicicletas ou, se necessário, substitua o tubo.
5. Encha o tubo ligeiramente até ficar redondo.
6. Insira a válvula no orifício da válvula no aro e coloque o tubo no interior do pneu (o tubo deve ficar totalmente ajustado ao pneu sem vincos).
7. Levante a parede do pneu por cima do aro. Comece perto da válvula e utilize uma alavanca para pneus de bicicleta. Ao efetuar esta operação, verifique todo o contorno para assegurar que o tubo interno não fica preso entre o pneu e o aro.
8. Encha o pneu até à pressão máxima de funcionamento. Verifique se não sai nenhum ar do pneu.

### Peças sobressalentes



Todas as peças sobressalentes podem ser obtidas junto de um fornecedor especialista da Kuschall. Uma lista atual de peças sobressalentes está disponível na Internet em [www.kuschall.com](http://www.kuschall.com).

### 8.3 Limpeza

A sua cadeira de rodas irá servi-lo bem por muitos anos se a limpar regularmente.


#### ! IMPORTANTE!

- A areia e a água do mar podem danificar os rolamentos e as peças de aço podem enferrujar se a superfície estiver danificada.
  - A cadeira de rodas só deverá ser exposta a areia e a água do mar durante períodos breves e deverá ser limpa após cada ida à praia.

**!** **IMPORTANTE!**

- Não utilize substâncias abrasivas, produtos de limpeza agressivos ou agentes de limpeza a alta pressão. Não utilize produtos ácidos, alcalinos ou solventes, tal como a acetona ou diluentes celulósicos.
- Utilize sempre agentes de limpeza doméstica normais.

1. Limpe as almofadas e as peças metálicas com um pano húmido macio.
2. Seque a cadeira de rodas cuidadosamente com um pano após utilizá-la à chuva.
3. Se a cadeira de rodas estiver suja, limpe a sujidade assim que for possível com um pano húmido e seque cuidadosamente.

 A limpeza regular irá revelar as peças soltas ou gastas e melhora o funcionamento correto da cadeira de rodas. De forma a funcionar corretamente e com segurança, a cadeira de rodas deverá receber os mesmos cuidados de conservação que qualquer outro veículo. Caso os estofos estejam muito manchados ou o acabamento de superfície apresente muitos danos, contacte um fornecedor autorizado para obter informações adicionais.

**Limpeza dos estofos**

Para limpar os estofos, consulte as instruções na etiqueta do assento, na almofada e na capa do encosto.

**Limpeza das superfícies metálicas**

Para limpar as superfícies metálicas, utilize água quente e um detergente suave num pano macio.

1. Limpe com o pano humedecido.
2. Seque a superfície utilizando um pano seco.

Para remover abrasões e restaurar o brilho, deve utilizar polimento para automóveis e cera suave.

**Limpeza das superfícies de plástico**

As superfícies de plástico têm de ser limpas com pano macio, detergente suave e água quente.


**!** **IMPORTANTE!**

- Não utilize solventes ou agentes de limpeza de cozinha para limpar as superfícies de plástico.

1. Enxague a superfície com água quente.
2. Seque a superfície utilizando um pano seco.

**8.4 Desinfecção**

A cadeira de rodas pode ser desinfetada através de aspersão ou limpeza manual com desinfetantes testados e aprovados.

 O Instituto Robert Koch criou uma lista de desinfetantes atualmente aprovados, disponível em [www.rki.de](http://www.rki.de).

## 9 APÓS A UTILIZAÇÃO

### 9.1 Armazenamento



#### IMPORTANTE!

Risco de danos no produto

- Não armazene o produto junto a fontes de calor.
- Nunca armazene outros artigos em cima da cadeira de rodas.
- Armazene a cadeira de rodas no interior e num ambiente seco.
- Consulte as limitações de temperatura no capítulo *11.2 Condições ambientais, página 179*.

Após o armazenamento de longa duração (mais de quatro meses), a cadeira de rodas deve ser inspecionada em conformidade com o capítulo *8 Manutenção, página 170*.

### 9.2 Reutilização

A cadeira de rodas é adequada para reutilização. Devem ser realizadas as seguintes ações:

- Limpeza e desinfeção; consulte as secções *8.3 Limpeza, página 172* e *8.4 Desinfeção, página 173* neste manual).
- Inspeção; consulte a secção *8.2 Plano de manutenção, página 170* neste manual.

- A cadeira de rodas deve ser adaptada ao novo utilizador em conformidade com a documentação de assistência (disponível junto do distribuidor da kÜschall no seu país).

### 9.3 Informações de eliminação

Seja consciente em termos ambientais e elimine a sua cadeira de rodas de forma adequada. A eliminação está sujeita a regulamentos nacionais e locais.



Para uma eliminação correta, contacte o seu fornecedor especialista ou informe-se sobre as empresas locais de gestão de resíduos junto da sua câmara municipal.

---

## 10 RESOLUÇÃO DE PROBLEMAS

---

### 10.1 Informações de segurança

Pode surgir falhas em resultado da utilização diária, de ajustes ou das exigências variáveis a que a cadeira de rodas é submetida. A tabela abaixo indica como identificar e reparar falhas.



#### **ATENÇÃO!**

- Contacte o fornecedor especialista imediatamente caso se aperceba de uma falha com a sua cadeira de rodas; por exemplo, uma alteração significativa no manuseamento.



#### **IMPORTANTE!**

- Algumas das ações listadas têm de ser efetuadas por um fornecedor especialista. Essas ações são indicadas. Recomendamos que *todos* os ajustes sejam efetuados por um fornecedor especialista.

## 10.2 Identificar e reparar falhas

Falha	Causa possível	Ação
A cadeira de rodas não se desloca em linha reta	Pressão do pneu incorreta numa roda traseira	Corrigir a pressão dos pneus, ® 3.14 Pneus, página 141.
	Um ou mais raios partidos	Substituir raio(s) defeituoso(s), ® fornecedor especialista
	Raios apertados de modo irregular	Apertar os raios soltos, ® fornecedor especialista
	Suporte da roda dianteira alinhado incorretamente	Corrigir a posição e alinhamento do suporte da roda dianteira, ® fornecedor especialista
	Os rolamentos da roda dianteira estão sujos ou danificados	Limpar ou substituir os rolamentos, ® fornecedor especialista
	As rodas traseiras estão fora da guia	Substituir a guia, ® fornecedor especialista
	Rodas dianteiras não ajustadas para a mesma altura	Posicionar as rodas dianteiras de modo a tocar no chão ao mesmo tempo, ® fornecedor especialista
A cadeira de rodas inclina-se para trás com demasiada facilidade	As rodas traseiras estão montadas demasiado à frente	Montar as rodas traseiras mais atrás, ® fornecedor especialista
	Ângulo do encosto demasiado grande	Reduzir o ângulo do encosto, ® fornecedor especialista
	Ângulo do assento demasiado grande	Montar a placa do adaptador no perfil lateral, ® fornecedor especialista Selecionar uma forqueta de roda dianteira mais pequena, ® fornecedor especialista

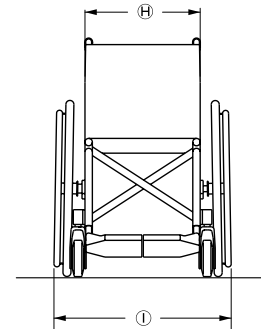
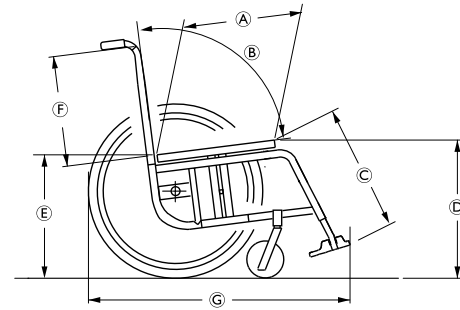


<b>Falha</b>	<b>Causa possível</b>	<b>Ação</b>
Não é possível inserir os eixos removíveis corretamente	Eixos removíveis sujos	Limpar os eixos removíveis
	Eixos removíveis desalinhados	Ajustar os eixos removíveis, ® fornecedor especialista
Os travões de estacionamento bloqueiam de forma deficiente ou assimétrica	Pressão do pneu incorreta em um ou ambos os pneus traseiros	Corrigir a pressão dos pneus, ® 3.14 Pneus, página 141.
	Regulação do travão de estacionamento incorreta	Corrigir a regulação do travão de estacionamento, ® fornecedor especialista
Resistência de rolamento muito elevada	Pressão dos pneus traseiros demasiado baixa	Corrigir a pressão do pneu ou substituir o tubo no interior do pneu, ® 3.14 Pneus, página 141
	Pneu furado	
	Rodas traseiras não paralelas	Assegurar que as rodas traseiras estão paralelas, ® fornecedor especialista
As rodas dianteiras oscilam quando se desloca com rapidez	Pouca tensão no bloco de encaixe das rodas dianteiras	Apertar ligeiramente a porca no eixo do bloco de encaixe,® fornecedor especialista
	Roda dianteira gasta	Substituir a roda dianteira, ® fornecedor especialista
A roda dianteira está perra ou presa	Os rolamentos estão sujos ou defeituosos	Limpar ou substituir os rolamentos, ® fornecedor especialista
É muito difícil desdobrar a cadeira de rodas	A capa do encosto está demasiado apertada	Desapertar um pouco os fechos de velcro da capa do encosto, ® 3.3 Encosto, página 132

## 11 CARACTERÍSTICAS TÉCNICAS

### 11.1 Dimensões e peso

Todas as dimensões e especificações de peso dizem respeito a uma largura do assento de 400 mm e a uma profundidade do assento de 400 mm na configuração mais leve da cadeira de rodas. A dimensão e o peso podem ser alterados consoante as diferentes configurações.



Ⓐ	Profundidade do assento	320 – 500 mm, em incrementos de 20 mm
Ⓑ	Ângulo do encosto	82°/86°/90°/ 94°/98°/102°
Ⓒ	Comprimento da distância do joelho ao calcanhar	200 – 510 mm, em incrementos de 10 mm
Ⓓ	Parte frontal da altura do assento	430 – 530 mm, em incrementos de 10 mm
Ⓔ	Parte traseira da altura do assento	390 – 500 mm, em incrementos de 10 mm
Ⓕ	Altura do encosto	300 – 510 mm, em incrementos de 15 mm
Ⓖ	Comprimento total	70°: aprox. 880 mm 80°: aprox. 830 mm
Ⓗ	Largura do assento	280 – 500 mm, em incrementos de 20 mm
Ⓘ	Largura total	Largura do assento + 180 mm
Ⓛ	Largura total, dobrada	aprox. 290 mm
	Peso	aprox. 10,1 kg
	Peso de transporte (sem as rodas traseiras)	aprox. 7,2 kg
	Peso máximo do utilizador	130 kg

	Largura de reversão	920 – 1230 mm
	Inclinação máxima de segurança	7°

## 11.2 Condições ambientais

Não exponha a cadeira de rodas a temperaturas abaixo dos -20 °C ou acima dos 40 °C.

## 11.3 Materiais

Os componentes utilizados para fabricar as cadeiras kuschall são constituídos pelos seguintes materiais:

Tubos do chassis	Alumínio
Tubos do encosto	Alumínio
Suportes cruzados	Alumínio
Capa do assento/Capa do encosto	PA/PE/PVC
Punho	Aço/Alumínio/TPE
Guarda lateral/Guarda-lama	Fibra de carbono
Forquetas das rodas dianteiras	Alumínio
Apoios de pés	Plástico
Peças de suporte/Acessórios	Aço/Alumínio
Parafusos e pinos	Aço

Ultra-Light

Todos os componentes têm um revestimento de proteção ou são resistentes à corrosão.



Notes

Notes

Küschall distributors:

**Asia:**

Invacare Asia Ltd.  
1 Lenton Place, North Rocks NSW 2151  
Australia  
Phone: (61) (02) 8839 5333  
Fax: (61) (02) 8839 5343  
asiasales@invacare.com  
www.invacare.com

**Ireland:**

Invacare Ireland Ltd,  
Unit 5 Seatown Business Campus  
Seatown Road, Swords, County Dublin  
Tel : (353) 1 810 7084  
Fax: (353) 1 810 7085  
ireland@invacare.com  
www.invacare.ie

**United Kingdom:**

Invacare Limited  
Pencoed Technology Park, Pencoed  
Bridgend CF35 5AQ  
Tel: (44) (0) 1656 776 222  
Fax: (44) (0) 1656 776 220  
uk@invacare.com  
www.invacare.co.uk

**Australia:**

Invacare Australia Pty. Ltd.  
1 Lenton Place, North Rocks NSW 2151  
Australia  
Phone: 1800 460 460  
Fax: 1800 814 367  
orders@invacare.com.au  
www.invacare.com.au

**New Zealand:**

Invacare New Zealand  
PO Box 62124, Sylvia Park,  
Auckland, New Zealand  
Phone: 0800 468 222  
Fax: 0800 807 788  
sales@invacare.co.nz  
www.invacare.co.nz

**España:**

Invacare SA  
c/Areny s/n, Polígon Industrial de Celrà  
E-17460 Celrà (Girona)  
Tel: (34) (0)972 49 32 00  
Fax: (34) (0)972 49 32 20  
contactsp@invacare.com  
www.invacare.es

**Portugal:**

Invacare Lda  
Rua Estrada Velha, 949  
P-4465-784 Leça do Balio  
Tel: (351) (0)225 1059 46/47  
Fax: (351) (0)225 1057 39  
portugal@invacare.com  
www.invacare.pt



Invacare France Operations  
Route de St Roch  
F-37230 Fondettes  
France

1583566-E 2018-05-15

