

Spare Parts Catalogue

Version: 2008/02/22a EN





Yes, you can.[®]

General Information

For any order of spare parts the following information is required:

- Product type
- Product name & model
- Serial Number
- Part-Number
- Part-Description

Exploded view drawings and code numbers are not contractual and subject to modification, in relation to Invacare® continuous product improvement policy to meet end users needs.

The reproduction or use of this work, or of any substantial part of this work, in any form or by any electronic, mechanical or other means, including photocopying, scanning and recording, and in any information storage and retrieval system, including electronic transmission, is forbidden without the prior written permission of Invacare® International Sarl.



Yes, you can.[®]

TABLE OF CONTENTS

Chassis

Side Frame Fixed Backrest	6
Side Frame Recliner Backrest	8
A4 Folding System	10

Seat

Seat Upholstery	11
Padded Seats Upholsteries	12
Adjustable Depth Seat Upholstery	13
Adjustable Seat Upholstery HD NL	14
Padded Seats Upholsteries And Mistral Cushions	15
Anatomic Seat Adjustable	16

Backrest

Fixed backrest 7°	17
Fixed Backrest Height Push Handle	18
Additional Push Handle	19
Folding Backrest	20
Recliner Backrest 0° To 30°, Racket	21
Recliner Backrest 0° To 30°, Gaz Spring	22
Recliner Backrest 0° To 30° With Adjustable Handle, Gaz Spring	23
Backrest Upholstery	24
Rea Backrest Upholstery	25
Padded Backrest Upholstery	26
Tension Adjustable Backrest Upholstery	27
Laguna backrests	28
Comfort Backrests	29

Legrests

80° Standard Footrest Support	30
Assembly Legrest, Fixed Footrest	31
Assembly Legrest, Adjustable Footrest	32
Adjustable Legrest	33
Calf Pad	34
Plaster Legrest Complete	35
Amputee Legrest	36

Footrests

Footrest	37
Ajustable Footrest	38
Footrest angle & deptajustable	39
One Piece Footplate	40

Siderests

Height Adjustable Armrest 1 Rio	41
Swing Away & Detachable Armrest 2	42
Height Adjustable Armrest 4	43
Height Adjustable Monobloc Armrest	44



Yes, you can.®

TABLE OF CONTENTS

Armpad Hemi Motion Simple Adjustable	45
Armpad Hemi Motion Multi Adjustable	46
Hemi Dartex Armpad Multiposition	47

Front Wheels

Forks	48
8 Front Castors	49
6"X5"Front Castors	50

Rear Wheels

24"x1" Spoked rear wheel QR axles <03/2007	51
24"X1" Spoked rear wheel >03/2007	52
Rear spoked wheel anodised handrim +QR axles <03/2007	53
Rear spoked wheel anodised handrim >03/2007	54
Rear spoked wheel anti slip + QR axles <03/2007	55
Rear spoked wheel anti-slip hand rim >03/2007	56
Rear Composite wheel anti-slip hand rim	57
Rear composite wheel, anodised hand rim	58
Rear spoked wheel anodised handrim Heavy Duty	59
Rear spoked wheel anti slip handrim Heavy Duty	60
QR Rear wheel axles	61
Rear Wheel Supports	62
Pump	63

Brakes

Push Brakes : Standard And With Extension	64
Hub Brakes	65
Oad Wire Control Brake	66
Rear Spoked Wheel Hub Brake QR axles <06/2007	67
Rear spoked wheel hub brake anodised hand rim >06/2007	68

Safety Options

Belts	69
Rear Anti Tippers	70
Reflectors	71

Seating Options

Standard Headsrest	72
Comfort Headrest	73
Cushions	74
Heel Strap, Calf Strap	75
Back Brace	76
Hanger Adaptator	77

Propulsion Options

Front wheel extension kit	78
Transit Rear Wheel, Push Brake	79
Transit Rear Wheel, Hub Brake	80
Dual Handrim, Fixed Axle	81



Yes, you can.[®]

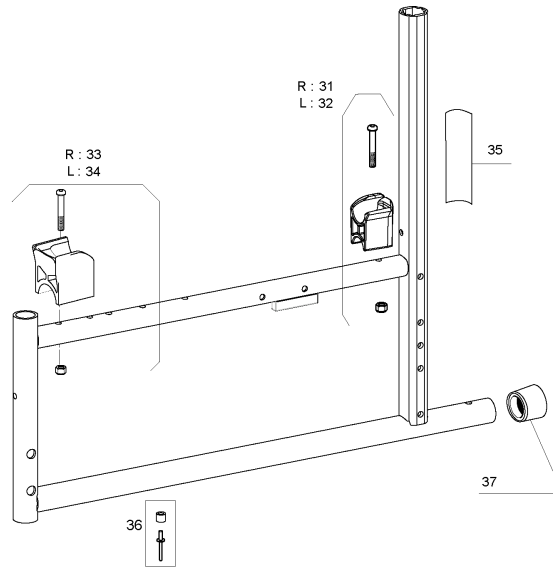
TABLE OF CONTENTS

Dual handrim QR axle > 10/2007	82
Dual hand rim, fixed axle wheels	83
Hand Control For Oad By Lever	84
Oad By Lever	85
Wheels For Oad By Lever	86
Spoke Guard	87

Others Options & Accessories

Cane Holder - Tipping Tube - Back Bag	88
Transparent Tray	89

Side Frame Fixed Backrest



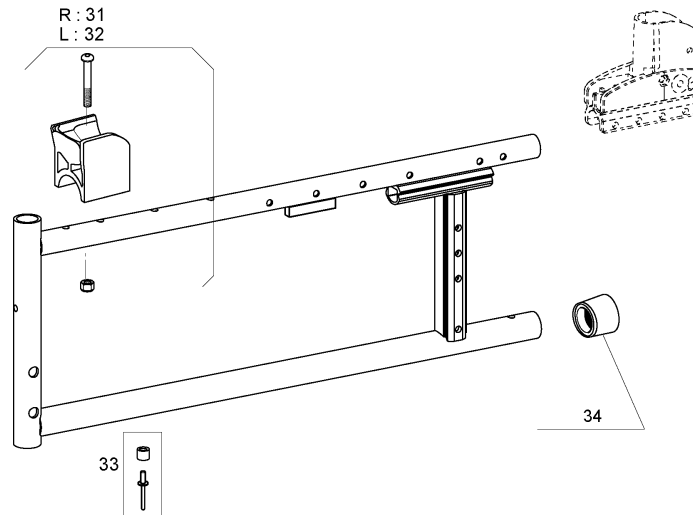
		40 cm	45 cm	50 cm
Dark red	R :	1	11	21
	L :	2	12	22
Sapphir blue	R :	3	13	23
	L :	4	14	24
Anthracite black	R :	5	15	25
	L :	6	16	26
Pearl grey	R :	7	17	27
	L :	8	18	28
Emerald green	R :	9	19	29
	L :	10	20	30

Pos.	Part number	Description	Qty
1	1449633-0607	A4 Side Frame Standard Rh D 40Cm Dark Red	1
2	1449685-0607	A4 Side Frame Standard Lh D 40Cm Dark Red	1
3	1449633-0608	A4 Side Frame Standard Rh D 40Cm Sapphire Blue	1
4	1449685-0608	A4 Side Frame Standard Lh D 40Cm Sapphire Blue	1
5	1449633-0609	A4 Side Frame Standard Rh D 40Cm Anthracite Black	1
6	1449685-0609	A4 Side Frame Standard Lh D 40Cm Anthracite Black	1
7	1449633-0515	A4 Side Frame Standard Rh D 40Cm Pearl Grey	1
8	1449685-0515	A4 Side Frame Standard Lh D 40Cm Pearl Grey	1
9	1449633-0612	A4 Side Frame Standard Rh D 40Cm Emerald Green	1
10	1449685-0612	A4 Side Frame Standard Lh D 40Cm Emerald Green	1
11	1443297-0607	A4 Side Frame Standard Rh D 45Cm Dark Red	1
12	1443299-0607	A4 Side Frame Standard Lh D 45Cm Dark Red	1
13	1443297-0608	A4 Side Frame Standard Rh D 45Cm Sapphire Blue	1
14	1443299-0608	A4 Side Frame Standard Lh D 45Cm Sapphire Blue	1
15	1443297-0609	A4 Side Frame Standard Rh D 45Cm Anthracite Black	1
16	1443299-0609	A4 Side Frame Standard Lh D 45Cm Anthracite Black	1
17	1443297-0515	A4 Side Frame Standard Rh D 45Cm Pearl Grey	1
18	1443299-0515	A4 Side Frame Standard Lh D 45Cm Pearl Grey	1
19	1443297-0612	A4 Side Frame Standard Rh D 45Cm Emerald Green	1
20	1443299-0612	A4 Side Frame Standard Lh D 45Cm Emerald Green	1
21	1510153-0607	A4 Side Frame Standard Rh D 50Cm Dark Red	1
22	1510154-0607	A4 Side Frame Standard Lh D 50Cm Dark Red	1
23	1510153-0608	A4 Side Frame Standard Rh D 50Cm Sapphire Red	1
24	1510154-0608	A4 Side Frame Standard Lh D 50Cm Sapphire Red	1
25	1510153-0609	A4 Side Frame Standard Rh D 50Cm Anthracite Black	1
26	1510154-0609	A4 Side Frame Standard Lh D 50Cm Anthracite Black	1
27	1510153-0515	A4 Side Frame Standard Rh D 50Cm Pearl Grey	1
28	1510154-0515	A4 Side Frame Standard Lh D 50Cm Pearl Grey	1
29	1510153-0612	A4 Side Frame Standard Rh D 50Cm Emerald Green	1
30	1510154-0612	A4 Side Frame Standard Lh D 50Cm Emerald Green	1
31	1434127	Cross Brace Support Kit Rh	1
32	1434128	Cross Brace Support Kit Lh	1
33	1492760	A4 Cross Brace Rivet & Washer Kit	1

Side Frame Fixed Backrest

Pos.	Part number	Description	Qty
34	0021N05386	1" cap	1
35	1444909	Fixed Backrest Label	1

Side Frame Recliner Backrest



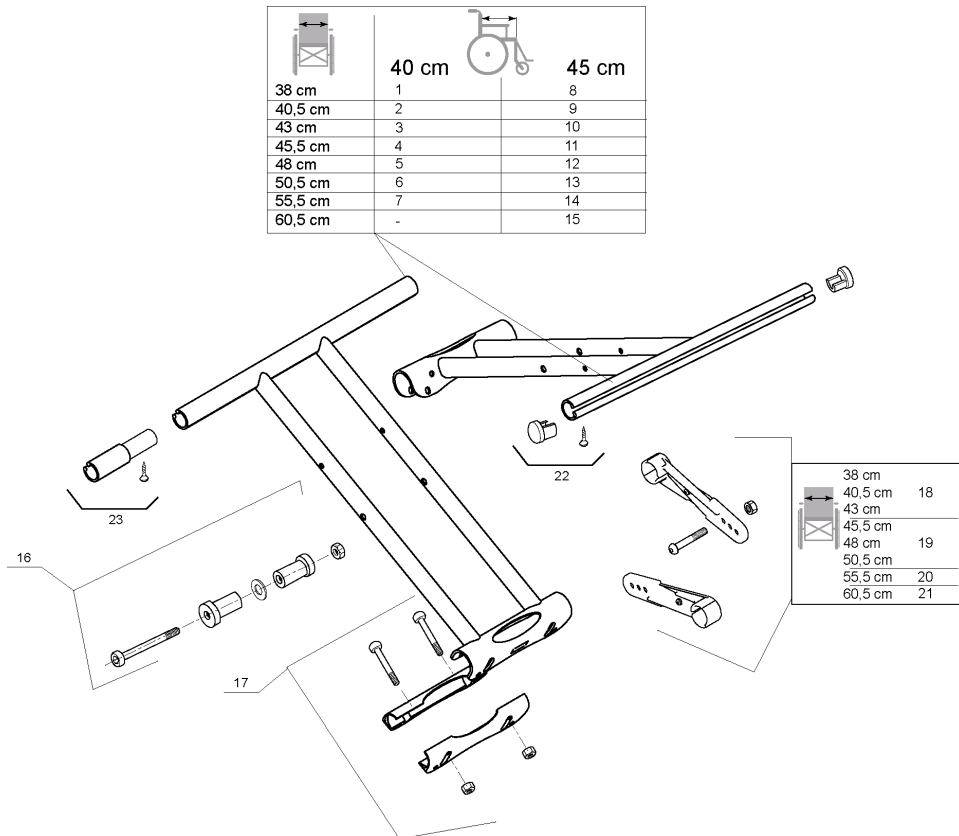
		40 cm	45 cm	50 cm
Dark red	R :	1	11	21
	L :	2	12	22
Sapphir blue	R :	3	13	23
	L :	4	14	24
Anthracite black	R :	5	15	25
	L :	6	16	26
Pearl grey	R :	7	17	27
	L :	8	18	28
Emerald green	R :	9	19	29
	L :	10	20	30

Pos.	Part number	Description	Qty
1	1444698-0607	A4 Side Frame Recliner Rh D 40Cm Dark Red	1
2	1444700-0607	A4 Side Frame Recliner Lh D 40Cm Dark Red	1
3	1444698-0608	A4 Side Frame Recliner Rh D 40Cm Sapphire Blue	1
4	1444700-0608	A4 Side Frame Recliner Lh D 40Cm Sapphire Blue	1
5	1444698-0609	A4 Side Frame Recliner Rh D 40Cm Anthracite Black	1
6	1444700-0609	A4 Side Frame Recliner Lh D 40Cm Anthracite Black	1
7	1444698-0515	A4 Side Frame Recliner Rh D 40Cm Pearl Grey	1
8	1444700-0515	A4 Side Frame Recliner Lh D 40Cm Pearl Grey	1
9	1444698-0612	A4 Side Frame Recliner Rh D 40Cm Emerald Green	1
10	1444700-0612	A4 Side Frame Recliner Lh D 40Cm Emerald Green	1
11	1449765-0607	A4 Side Frame Recliner Rh D 45Cm Dark Red	1
12	1449767-0607	A4 Side Frame Recliner Lh D 45Cm Dark Red	1
13	1449765-0608	A4 Side Frame Recliner Rh D 45Cm Sapphire Blue	1
14	1449767-0608	A4 Side Frame Recliner Lh D 45Cm Sapphire Blue	1
15	1449765-0609	A4 Side Frame Recliner Rh D 45Cm Anthracite Black	1
16	1449767-0609	A4 Side Frame Recliner Lh D 45Cm Anthracite Black	1
17	1449765-0515	A4 Side Frame Recliner Rh D 45Cm Pearl Grey	1
18	1449767-0515	A4 Side Frame Recliner Lh D 45Cm Pearl Grey	1
19	1449765-0612	A4 Side Frame Recliner Rh D 45Cm Emerald Green	1
20	1449767-0612	A4 Side Frame Recliner Lh D 45Cm Emerald Green	1
21	1510205-0607	A4 Side Frame Recliner Rh D 50Cm Dark Red	1
22	1510206-0607	A4 Side Frame Recliner Lh D 50Cm Dark Red	1
23	1510205-0608	A4 Side Frame Recliner Rh D 50Cm Sapphire Blue	1
24	1510206-0608	A4 Side Frame Recliner Lh D 50Cm Sapphire Blue	1
25	1510205-0609	A4 Side Frame Recliner Rh D 50Cm Anthracite Black	1
26	1510206-0609	A4 Side Frame Recliner Lh D 50Cm Anthracite Black	1
27	1510205-0515	A4 Side Frame Recliner Rh D 50Cm Pearl Grey	1
28	1510206-0515	A4 Side Frame Recliner Lh D 50Cm Pearl Grey	1
29	1510205-0612	A4 Side Frame Recliner Rh D 50Cm Emerald Green	1
30	1510206-0612	A4 Side Frame Recliner Lh D 50Cm Emerald Green	1
31	1434127	Cross Brace Support Kit Rh	1
32	1434128	Cross Brace Support Kit Lh	1
33	1492760	A4 Cross Brace Rivet & Washer Kit	1

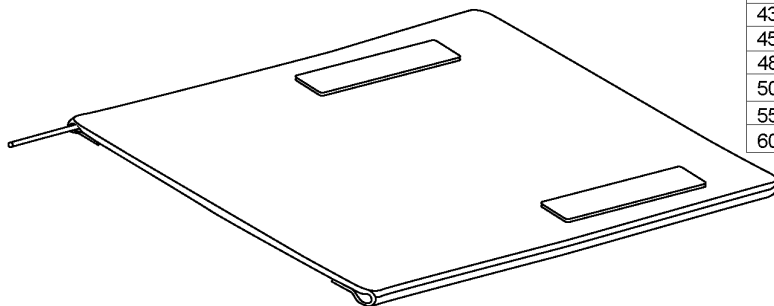
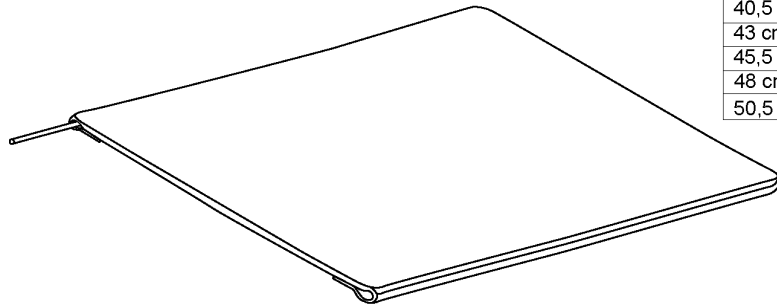
Side Frame Recliner Backrest

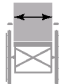

Pos.	Part number	Description	Qty
34	0021N05386	1" cap	1



Invacare® Action4 | Chassis
A4 Folding System



Pos.	Part number	Description	Qty
1	1449961	A4 Cross Brace Complete (Pair) W 38Cm X D 40Cm	1
2	1449789	A4 Cross Brace Complete (Pair) W 40,5Cm X D 40Cm	1
3	1449790	A4 Cross Brace Complete (Pair) W 43Cm X D 40Cm	1
4	1449791	A4 Cross Brace Complete (Pair) W 45,5Cm X D 40Cm	1
5	1449792	A4 Cross Brace Complete (Pair) W 48Cm X D 40Cm	1
6	1488618	A4 Cross Brace Complete (Pair) W 50,5Cm X D 40Cm > 07/2006	1
7	1488620	A4 Cross Brace Complete Heavy(Pair) W 55,5Cm X D 40Cm	1
8	1449794	A4 Cross Brace Complete (Pair) W 38Cm X D 45Cm	1
9	1449795	A4 Cross Brace Complete (Pair) W 40,5Cm X D 45Cm	1
10	1449796	A4 Cross Brace Complete (Pair) W 43Cm X D 45Cm	1
11	1449797	A4 Cross Brace Complete (Pair) W 45,5Cm X D 45Cm	1
12	1449798	A4 Cross Brace Complete (Pair) W 48Cm X D 45Cm	1
13	1488619	A4 Cross Brace Complete (Pair) W 50,5Cm X D 45Cm > 07/2006	1
14	1488621	A4 Cross Brace Complete Heavy(Pair) W 55,5Cm X D 45Cm	1
15	1488622	A4 Cross Brace Complete Heavy(Pair) W 60,5Cm X D 45Cm	1
16	1451684	A4 Cross Brace Axle Kit	1
17	1451679	A4 Cross Brace Sleeve	1
18	1451680	Cross Brace Strut 38-43Cm	1
19	1451681	Cross Brace Strut 45,5-50,5Cm	1
20	1488638	Cross Brace Strut 55,5Cm	1
21	1451335	Cross Brace Strut 60,5Cm	1
22	1431307	Seat End Cap Kit	1
23	1510022	5 cm Seat Extension Kit	1

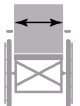



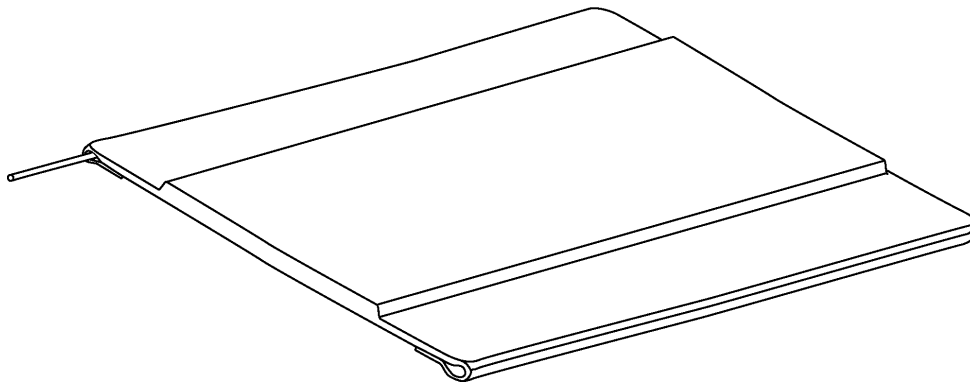
	 40 cm	 45 cm
38 cm	1	7
40,5 cm	2	8
43 cm	3	9
45,5 cm	4	10
48 cm	5	11
50,5 cm	6	12

	 40 cm	 45 cm	50 cm
38 cm	13	19	
40,5 cm	14	20	
43 cm	15	21	
45,5 cm	16	22	
48 cm	17	23	
50,5 cm	18	24	25
55,5 cm			26
60,5 cm			27

Pos.	Part number	Description	Qty
1	1428840	Basic Seat Upholstery W 38Cm X D 40Cm	1
2	1428841	Basic Seat Upholstery W 40,5Cm X D 40Cm	1
3	1428842	Basic Seat Upholstery W 43Cm X D 40Cm	1
4	1428843	Basic Seat Upholstery W 45,5Cm X D 40Cm	1
5	1428844	Basic Seat Upholstery W 48Cm X D 40Cm	1
6	1428845	Basic Seat Upholstery W 50,5Cm X D 40Cm	1
7	1428846	Basic Seat Upholstery W 38Cm X D 45Cm	1
8	1428847	Basic Seat Upholstery W 40,5Cm X D 45Cm	1
9	1428848	Basic Seat Upholstery W 43Cm X D 45Cm	1
10	1428849	Basic Seat Upholstery W 45,5Cm X D 45Cm	1
11	1428850	Basic Seat Upholstery W 48Cm X D 45Cm	1
12	1428851	Basic Seat Upholstery W 50,5Cm X D 45Cm	1
13	1428852	Standard Seat Upholstery W 38Cm X D 40Cm	1
14	1428853	Standard Seat Upholstery W 40,5Cm X D 40Cm	1
15	1428854	Standard Seat Upholstery W 43Cm X D 40Cm	1
16	1428855	Standard Seat Upholstery W 45,5Cm X D 40Cm	1
17	1428856	Standard Seat Upholstery W 48Cm X D 40Cm	1
18	1428857	Standard Seat Upholstery W 50,5Cm X D 40Cm	1
19	1428858	Standard Seat Upholstery W 38Cm X D 45Cm	1
20	1428859	Standard Seat Upholstery W 40,5Cm X D 45Cm	1
21	1428860	Standard Seat Upholstery W 43Cm X D 45Cm	1
22	1428861	Standard Seat Upholstery W 45,5Cm X D 45Cm	1
23	1428862	Standard Seat Upholstery W 48Cm X D 45Cm	1
24	1428863	Standard Seat Upholstery W 50,5Cm X D 45Cm	1
25	1510023	Standard Seat Upholstery W 50,5Cm X D 50Cm	1
26	1510024	Standard Seat Upholstery W 55,5Cm X D 50Cm	1
27	1510025	Standard Seat Upholstery W 60,5Cm X D 50Cm	1

Padded Seats Upholsteries

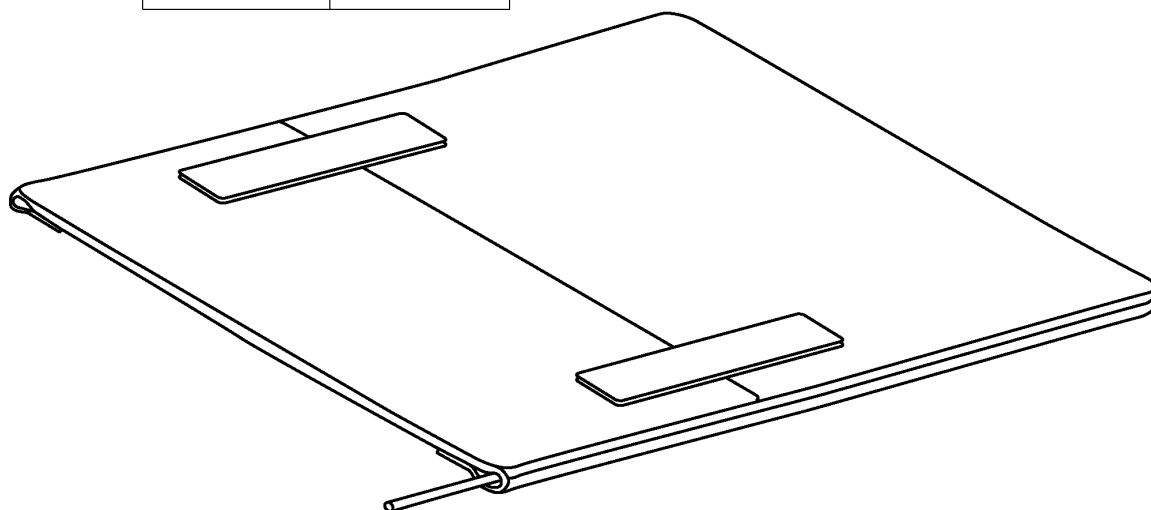
	40 cm		45 cm
38 cm	1		8
40,5 cm	2		9
43 cm	3		10
45,5 cm	4		11
48 cm	5		12
50,5 cm	6		13
55,5 cm	7		14
60,5 cm	-		15



Pos.	Part number	Description	Qty
1	1428864	Padded Seat Upholstery W 38Cm X D 40Cm	1
2	1428865	Padded Seat Upholstery W 40,5Cm X D 40Cm	1
3	1428866	Padded Seat Upholstery W 43Cm X D 40Cm	1
4	1428867	Padded Seat Upholstery W 45,5Cm X D 40Cm	1
5	1428868	Padded Seat Upholstery W 48Cm X D 40Cm	1
6	1428869	Padded Seat Upholstery W 50,5Cm X D 40Cm	1
7	1488394	Reinforced Padded Seat Upholstery W 55,5Cm X D 40Cm	1
8	1428870	Padded Seat Upholstery W 38Cm X D 45Cm	1
9	1428871	Padded Seat Upholstery W 40,5Cm X D 45Cm	1
10	1428872	Padded Seat Upholstery W 43Cm X D 45Cm	1
11	1428873	Padded Seat Upholstery W 45,5Cm X D 45Cm	1
12	1428874	Padded Seat Upholstery W 48Cm X D 45Cm	1
13	1428875	Padded Seat Upholstery W 50,5Cm X D 45Cm	1
14	1488396	Reinforced Padded Seat Upholstery W 55,5Cm X D 45Cm	1
15	1488397	Reinforced Padded Seat Upholstery W 60,5Cm X D 45Cm	1

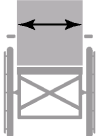
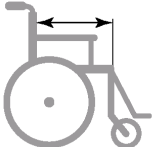
Adjustable Depth Seat Upholstery

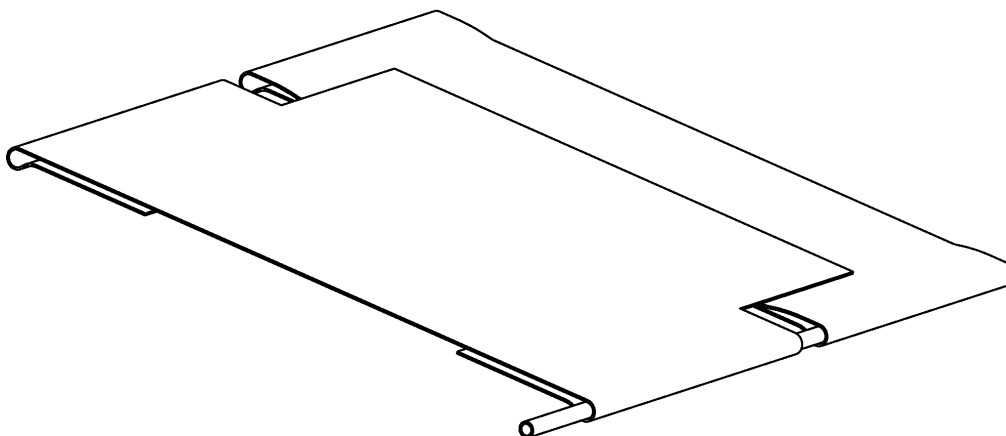
38 cm	1
40,5 cm	2
43 cm	3
45,5 cm	4
48 cm	5
50,5 cm	6
55,5 cm	7
60,5 cm	8



Pos.	Part number	Description	Qty
1	1437580	Adjustable Depth Seat Upholstery W 38Cm	1
2	1437581	Adjustable Depth Seat Upholstery W 40,5Cm	1
3	1437582	Adjustable Depth Seat Upholstery W 43Cm	1
4	1437583	Adjustable Depth Seat Upholstery W 45,5Cm	1
5	1437584	Adjustable Depth Seat Upholstery W 48Cm	1
6	1437585	Adjustable Depth Seat Upholstery W 50,5Cm	1
7	1496089	Adjustable Depth Seat Upholstery W 55,5Cm	1
8	1496090	Adjustable Depth Seat Upholstery W 60,5Cm	1

Adjustable Seat Upholstery HD NL

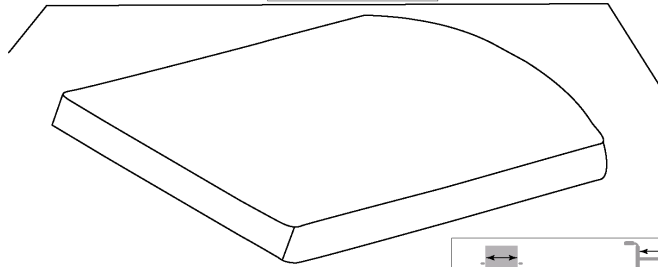
		
55,5 cm	45 / 50 cm	1
60,5 cm	45 / 50 cm	2





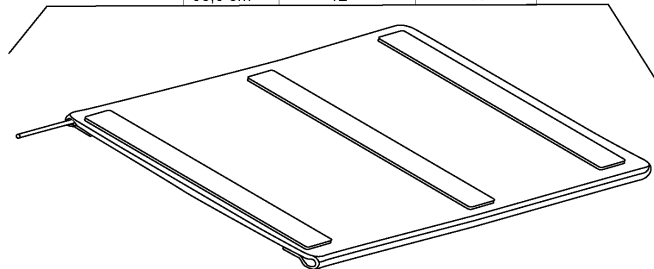
Pos.	Part number	Description	Qty
1	1515707	Adjustable seat upholstery HD NL W 55,5 X 50 cm	1
2	1515708	Adjustable seat upholstery HD NL W 60,5 X 50 cm	1

Padded Seats Upholsteries And Mistral Cushions

38 cm	1
40,5 cm	2
43 cm	3
45,5 cm	4
48 cm	5
50,5 cm	6

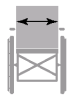


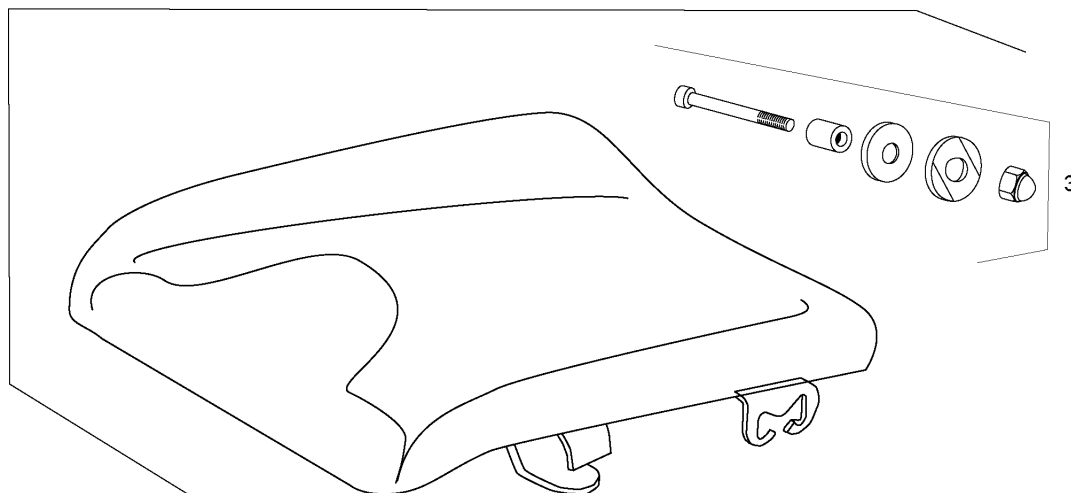
	40 cm		45 cm
38 cm	7		13
40,5 cm	8		14
43 cm	9		15
45,5 cm	10		16
48 cm	11		17
50,5 cm	12		18



Pos.	Part number	Description	Qty
1	1450115	Mistral 2 Layer Cushion W 38Cm X D 45Cm	1
2	1450116	Mistral 2 Layer Cushion W 40,5Cm X D 45Cm	1
3	1450117	Mistral 2 Layer Cushion W 43Cm X D 45Cm	1
4	1450118	Mistral 2 Layer Cushion W 45,5Cm X D 45Cm	1
5	1450119	Mistral 2 Layer Cushion W 48Cm X D 45Cm	1
6	1450120	Mistral 2 Layer Cushion W 50,5Cm X D 45Cm	1
7	1450067	Comfort Seat Upholstery W 38Cm X D 40Cm	1
8	1450068	Comfort Seat Upholstery W 40,5Cm X D 40Cm	1
9	1450069	Comfort Seat Upholstery W 43Cm X D 40Cm	1
10	1450070	Comfort Seat Upholstery W 45,5Cm X D 40Cm	1
11	1450071	Comfort Seat Upholstery W 48Cm X D 40Cm	1
12	1450072	Comfort Seat Upholstery W 50,5Cm X D 40Cm	1
13	1450123	Comfort Seat Upholstery W 38Cm X D 45Cm	1
14	1440918	Comfort Seat Upholstery W 40,5Cm X D 45 Cm	1
15	1440919	Comfort Seat Upholstery W 43Cm X D 45 Cm	1
16	1440920	Comfort Seat Upholstery W 45,5Cm X D 45 Cm	1
17	1450124	Comfort Seat Upholstery W 48Cm X D 45Cm	1
18	1440921	Comfort Seat Upholstery W 50,5Cm X D 45 Cm	1

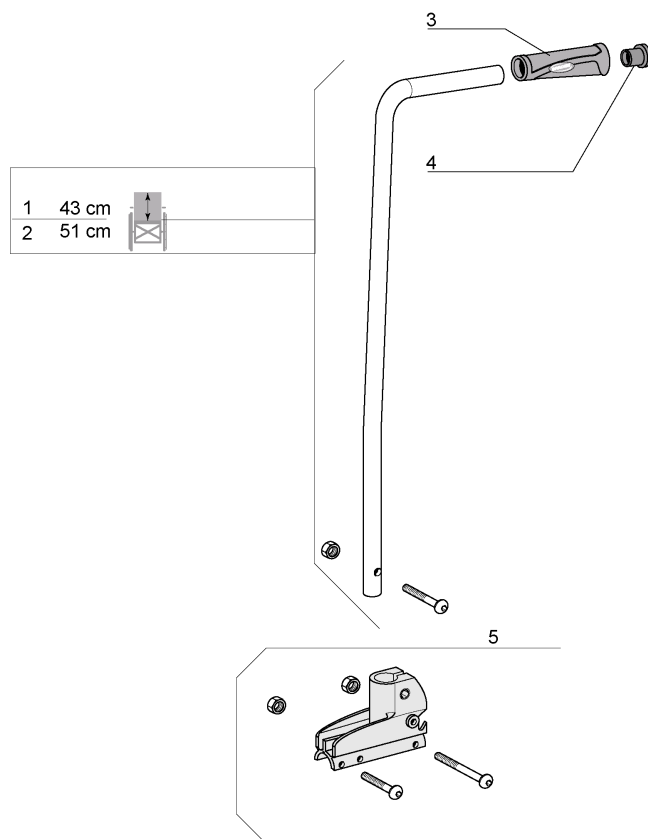
Anatomic Seat Adjustable

	45 cm
43 cm	1
45,5 cm	2



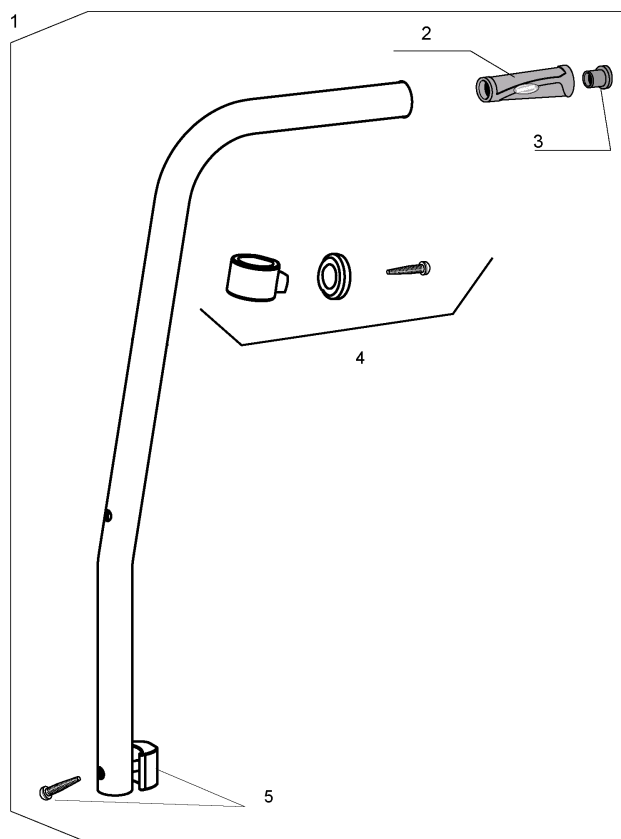
Pos.	Part number	Description	Qty
1	1485159	Anatomic Seat Adjustable W 43Cm	1
2	1485160	Anatomic Seat Adjustable W 45,5Cm	1
3	1485535	Seat Frame Fixation	1

Fixed backrest 7°



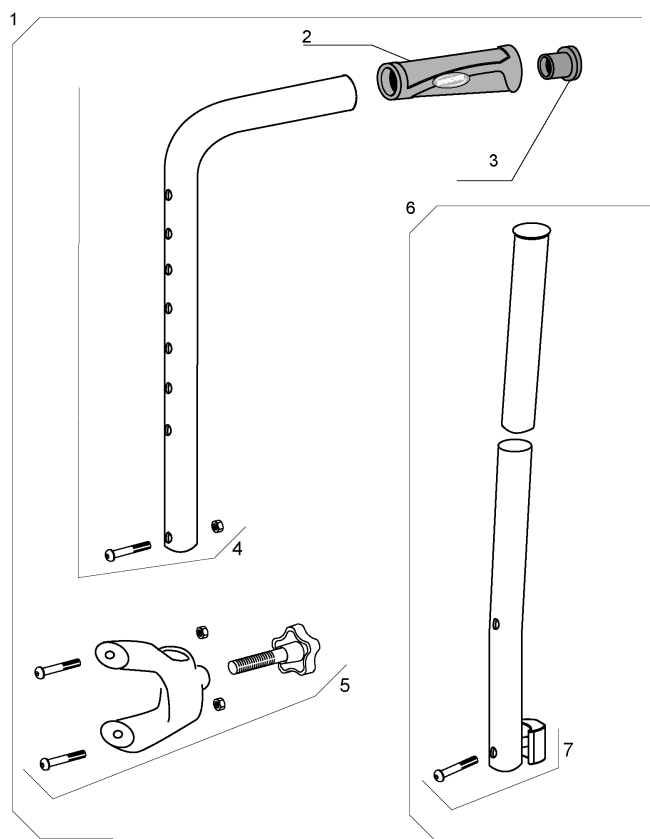
Pos.	Part number	Description	Qty
1	1430846	Backrest 7°43Cm Cane Kit	1
2	1430847	Backrest 7°51Cm Cane Kit	1
3	1425473	Invacare Push Handle	1
4	1418112	Crossbrace back cap	1
5	1430848	Fixed Backrest Support Kit	1

Fixed Backrest Height Push Handle



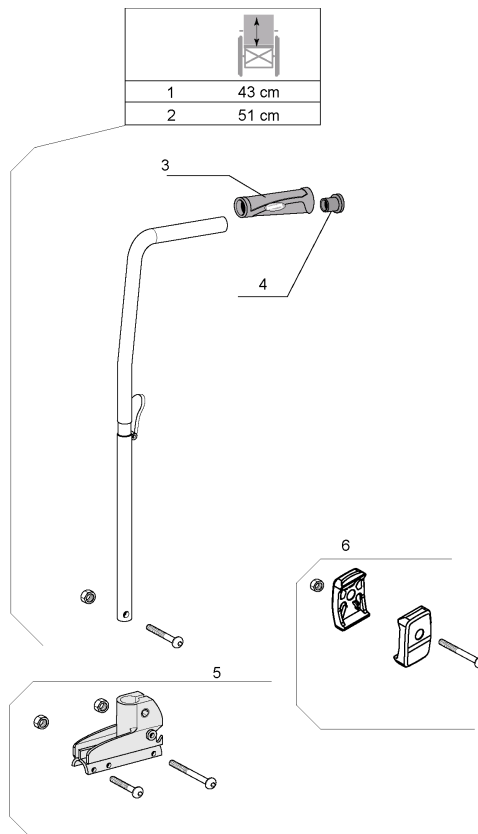
Pos.	Part number	Description	Qty
1	1449802	A4 Backrest 7938Cm To 46 Cm Cane Kit	1
2	1425473	Invacare Push Handle	1
3	1418112	Crossbrace back cap	1
4	1451816	A4 Fixed Backrest Upholstery Support Kit	1
5	1449803	A4 Fixed Backrest Fixation Kit	1

Additional Push Handle



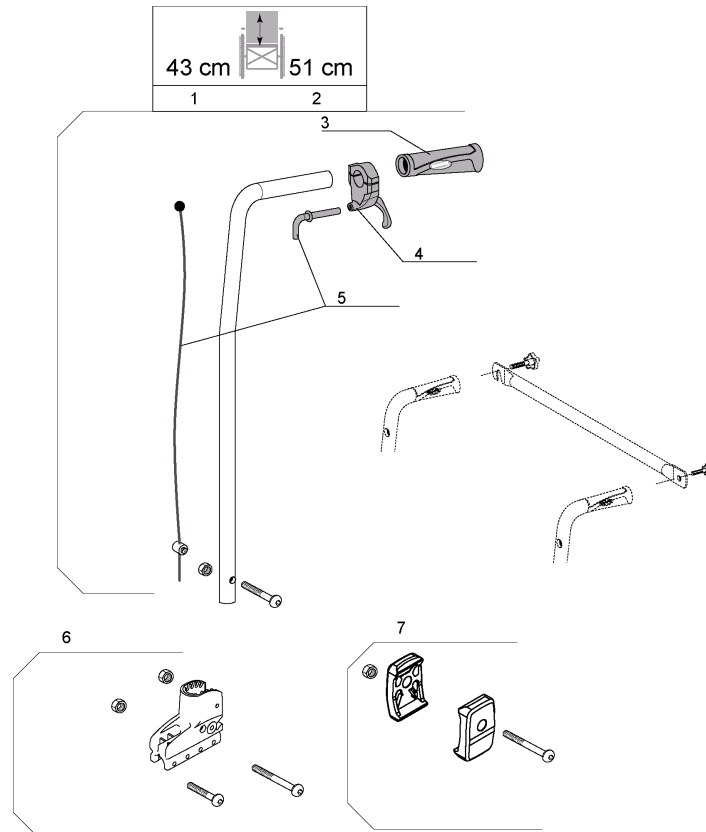
Pos.	Part number	Description	Qty
1	1449804	Additional Push Handle Set	1
2	1425473	Invacare Push Handle	1
3	1418112	Crossbrace back cap	1
4	1450574	Push Handle Cane Kit	1
5	1451818	Fixed Backrest Fixation Kit	1
6	1515698	Fixed backrest for additional push handle	1
7	1449803	A4 Fixed Backrest Fixation Kit	1

Folding Backrest



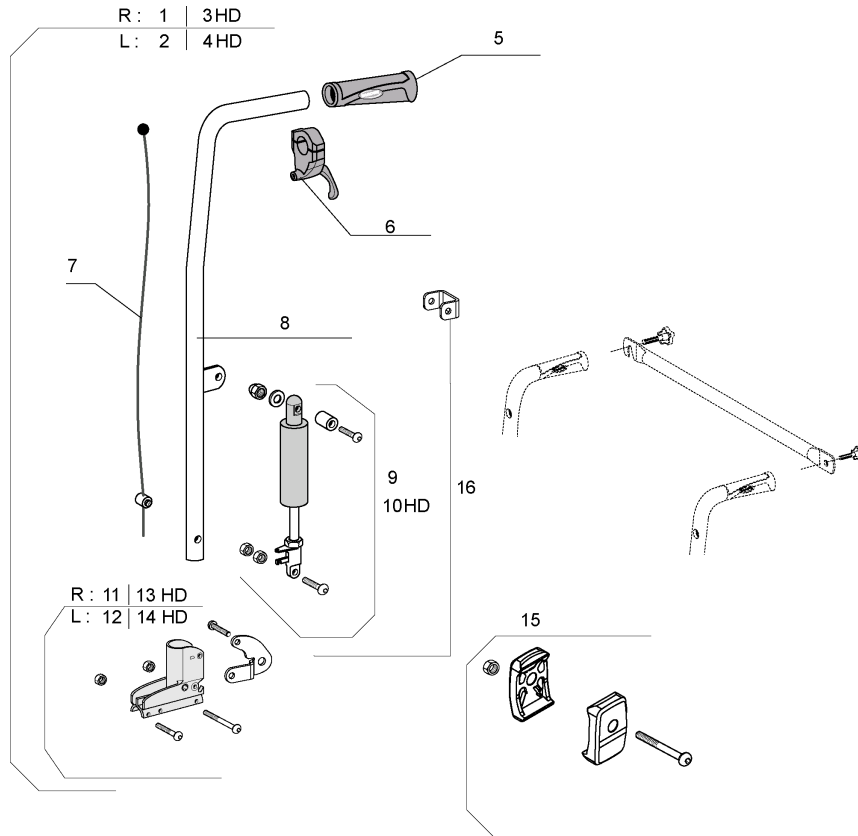
Pos.	Part number	Description	Qty
1	1434492	Folding Backrest Cane 43 cm	1
2	1430852	Folding Backrest Cane 51 Cm	1
3	1425473	Invacare Push Handle	1
4	1418112	Crossbrace back cap	1
5	1430848	Fixed Backrest Support Kit	1
6	1448954	A4 Recliner Attachment Kit	1

Recliner Backrest 0° To 30°, Racket



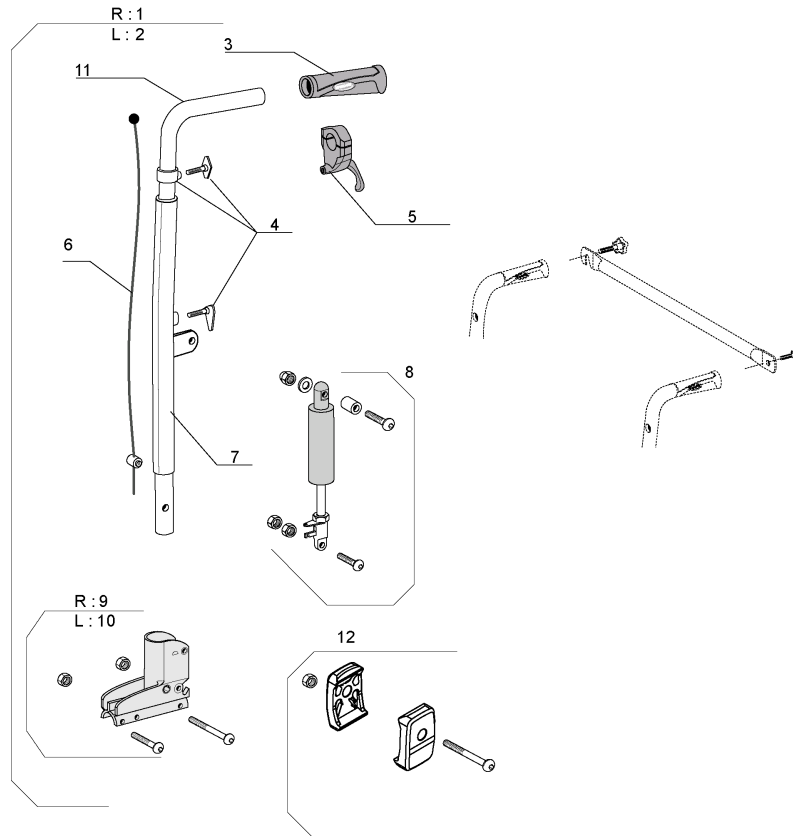
Pos.	Part number	Description	Qty
1	1434491	Reclining Backrest Cane 43 Cm (35,37,39,41 cm) Complete	1
2	1430849	Reclining Backrest Cane 51 Cm Complete	1
3	1425473	Invacare Push Handle	1
4	1433747	Recliner Trigger	1
5	1430851	Mechanical Recliner Cable Kit	1
6	1430850	Recliner Backrest Support Kit	1
7	1448954	A4 Recliner Attachment Kit	1

Recliner Backrest 0° To 30°, Gaz Spring



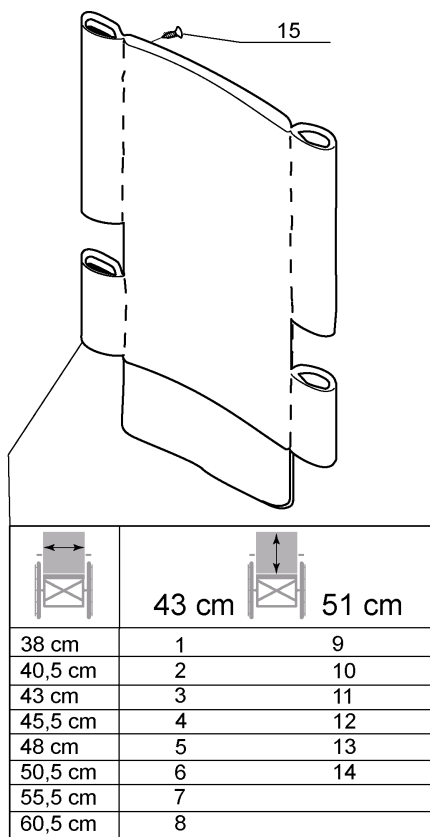
Pos.	Part number	Description	Qty
1	1442538	Reclining Rh Kit Gas Strut Backrest 43 cm	1
2	1442539	Reclining Lh Kit Gas Strut Backrest 43 cm	1
3	1493415	Reclining Rh Kit Gas Strut Backrest H 43 Cm Hd	1
4	1493416	Reclining Lh Kit Gas Strut Backrest H 43 Cm Hd	1
5	1425473	Invacare Push Handle	1
6	1433747	Recliner Trigger	1
7	1440937	Recliner Gas Cable 43 cm	1
8	1484055-0699	Recliner Gas Tube 43 cm	1
9	1433564	Gas Strut Kit Standard Backrest	1
10	1451336	Gas Strut Kit Standard Backrest Hd	1
11	1442507	Rh Recliner Gas Backrest Support Kit	1
12	1442513	Lh Recliner Gas Backrest Support Kit	1
13	1493417	Rh Recliner Gas Backrest Support Kit Hd	1
14	1493418	Lh Recliner Gas Backrest Support Kit Hd	1
15	1448954	A4 Recliner Attachment Kit	1
16	1451336	Gas Strut Kit Standard Backrest Hd	1

Recliner Backrest 0° To 30° With Adjustable Handle, Gaz Spring



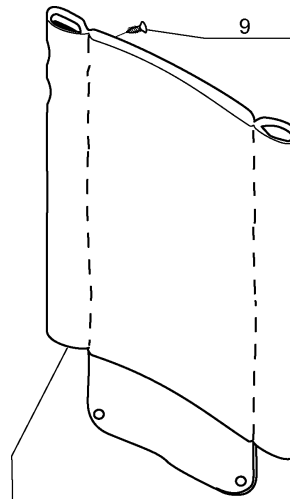
Pos.	Part number	Description	Qty
1	1451703	Reclining Rh Kit Gas Strut Adjustable Bacrest	1
2	1451704	Reclining Lh Kit Gas Strut Adjustable Bacrest	1
3	1425473	Invacare Push Handle	1
4	1451819	Adjustable Backrest Push Handle Kit	1
5	1433747	Recliner Trigger	1
6	1451765	Adjustable Recliner Gas Cable Kit	1
7	1448985-0601	Adjustable Recliner Cane A4	1
8	1433564	Gas Strut Kit Standard Backrest	1
9	1442507	Rh Recliner Gas Backrest Support Kit	1
10	1442513	Lh Recliner Gas Backrest Support Kit	1
11	1448986-0010	Adjustable Push Handle Recliner Gas A4	1
12	1448954	A4 Recliner Attachment Kit	1

Backrest Upholstery



Pos.	Part number	Description	Qty
1	1430291	Hollowed Back Upholstery W 38Cm X H 43Cm Rec. Gas Adj.	1
2	1430286	Hollowed Back Upholstery W 40,5Cm X H 43Cm Rec. Gas Adj.	1
3	1430287	Hollowed Back Upholstery W 43Cm X H 43Cm Rec. Gas Adj.	1
4	1430288	Hollowed Back Upholstery W 45,5Cm X H 43Cm Rec. Gas Adj.	1
5	1430289	Hollowed Back Upholstery W 48Cm X H 43Cm Rec. Gas Adj.	1
6	1430290	Hollowed Back Upholstery W 50,5Cm X H 43Cm Rec. Gas Adj.	1
7	1478451	Hollowed Back Upholstery W 55,5Cm X H 43 Cm Rec. Gas Adj.	1
8	1483907	Hollowed Back Upholstery W 60,5Cm X H 43Cm Rec. Gas Adj.	1
9	1449971	Hollowed Back Upholstery W 38Cm X H 51Cm Rec. Gas Adj.	1
10	1449972	Hollowed Back Upholstery W 40,5Cm X H 51Cm Rec. Gas Adj.	1
11	1449973	Hollowed Back Upholstery W 43Cm X H 51Cm Rec. Gas Adj.	1
12	1449974	Hollowed Back Upholstery W 45,5Cm X H 51Cm Rec. Gas Adj.	1
13	1449975	Hollowed Back Upholstery W 48Cm X H 51Cm Rec. Gas Adj.	1
14	1449976	Hollowed Back Upholstery W 50,5Cm X H 51Cm Rec. Gas Adj.	1
15	1428603	Zinc St 4,8-20F Fbx Screw	1

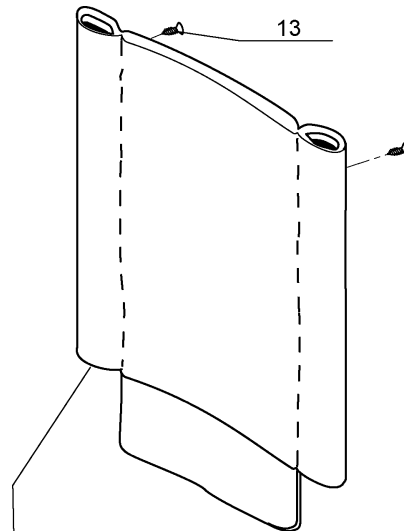
Rea Backrest Upholstery



43 cm	
38 cm	1
40,5 cm	2
43 cm	3
45,5 cm	4
48 cm	5
50,5 cm	6
55,5 cm	7
60,5 cm	8

Pos.	Part number	Description	Qty
1	1449809	Rea Backrest Upholstery W 38Cm X H 43Cm	1
2	1449810	Rea Backrest Upholstery W 40,5Cm X H 43Cm	1
3	1449811	Rea Backrest Upholstery W 43Cm X H 43Cm	1
4	1449812	Rea Backrest Upholstery W 45,5Cm X H 43Cm	1
5	1449813	Rea Backrest Upholstery W 48Cm X H 43Cm	1
6	1449814	Rea Backrest Upholstery W 50,5Cm X H 43Cm	1
7	1483908	Rea Backrest Upholstery W 55,5Cm X H 43Cm	1
8	1483909	Rea Backrest Upholstery W 60,5Cm X H 43Cm	1
9	1428603	Zinc St 4,8-20F Fbx Screw	1

Padded Backrest Upholstery

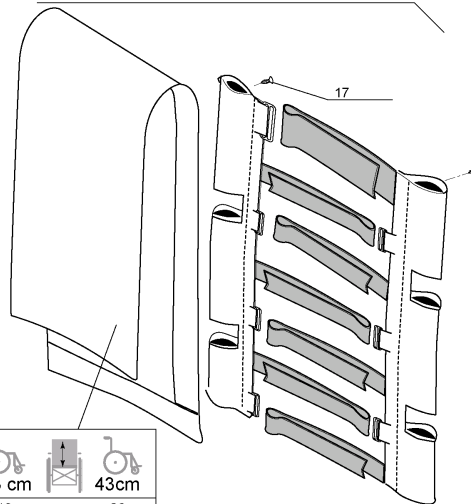


38 cm	43 cm	38 cm	51 cm
40,5 cm	1	7	8
43 cm	2	9	10
45,5 cm	3	11	12
48 cm	4		
50,5 cm	5		

Pos.	Part number	Description	Qty
1	1428896	Padded Backrest Upholstery W 38Cm X H 43Cm	1
2	1428897	Padded Backrest Upholstery W 40,5Cm X H 43Cm	1
3	1428898	Padded Backrest Upholstery W 43Cm X H 43Cm	1
4	1428899	Padded Backrest Upholstery W 45,5Cm X H 43Cm	1
5	1428900	Padded Backrest Upholstery W 48Cm X H 43Cm	1
6	1428901	Padded Backrest Upholstery W 50,5Cm X H 43Cm	1
7	1428902	Padded Backrest Upholstery W 38Cm X H 51Cm	1
8	1428903	Padded Backrest Upholstery W 40,5Cm X H 51Cm	1
9	1428904	Padded Backrest Upholstery W 43Cm X H 51Cm	1
10	1428905	Padded Backrest Upholstery W 45,5Cm X H 51Cm	1
11	1428906	Padded Backrest Upholstery W 48Cm X H 51Cm	1
12	1428559	Padded Backrest Upholstery W 50,5Cm X H 51Cm	1
13	1428603	Zinc St 4,8-20F Fbx Screw	1

Tension Adjustable Backrest Upholstery

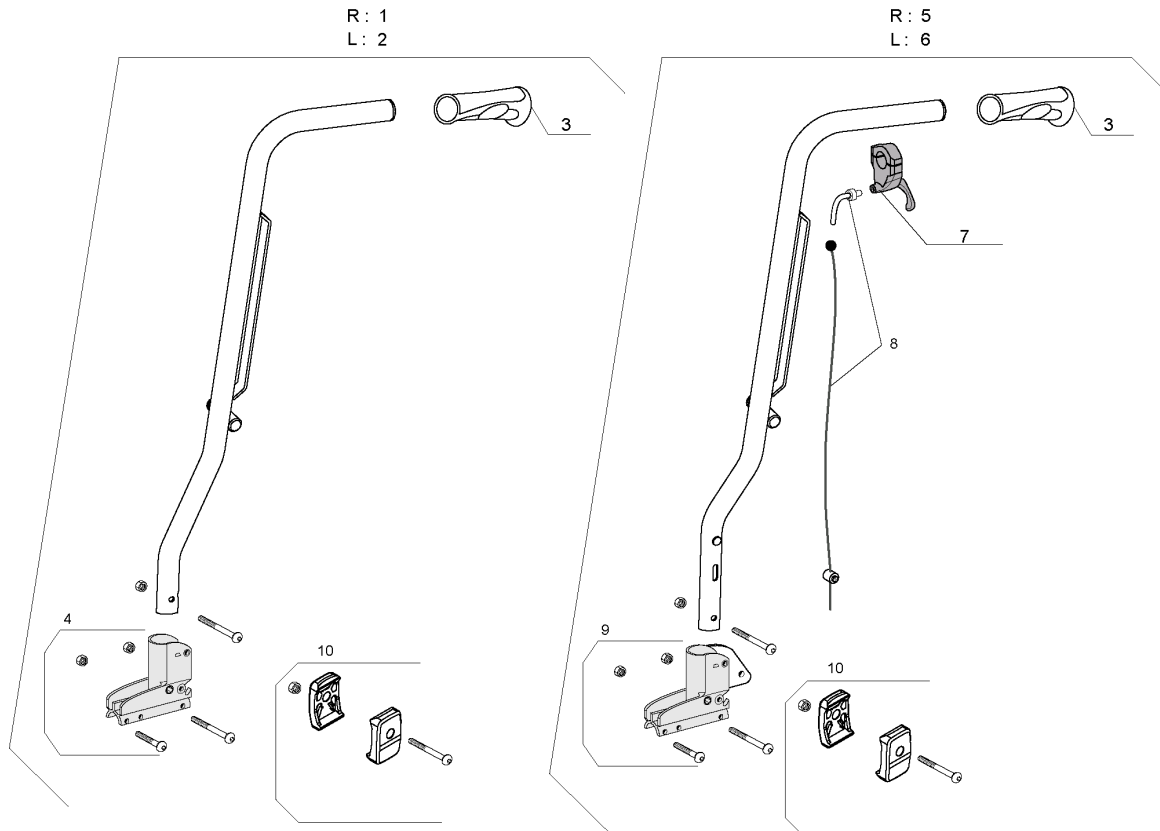
	43 cm	43cm
38 cm	1	9
40,5 cm	2	10
43 cm	3	11
45,5 cm	4	12
48 cm	5	13
50,5 cm	6	14
55,5 cm	7	15
60,5 cm	8	16



	43 cm	43cm
38 cm	18	26
40,5 cm	19	27
43 cm	20	28
45,5 cm	21	29
48 cm	22	30
50,5 cm	23	31
55,5 cm	24	32
60,5 cm	25	33

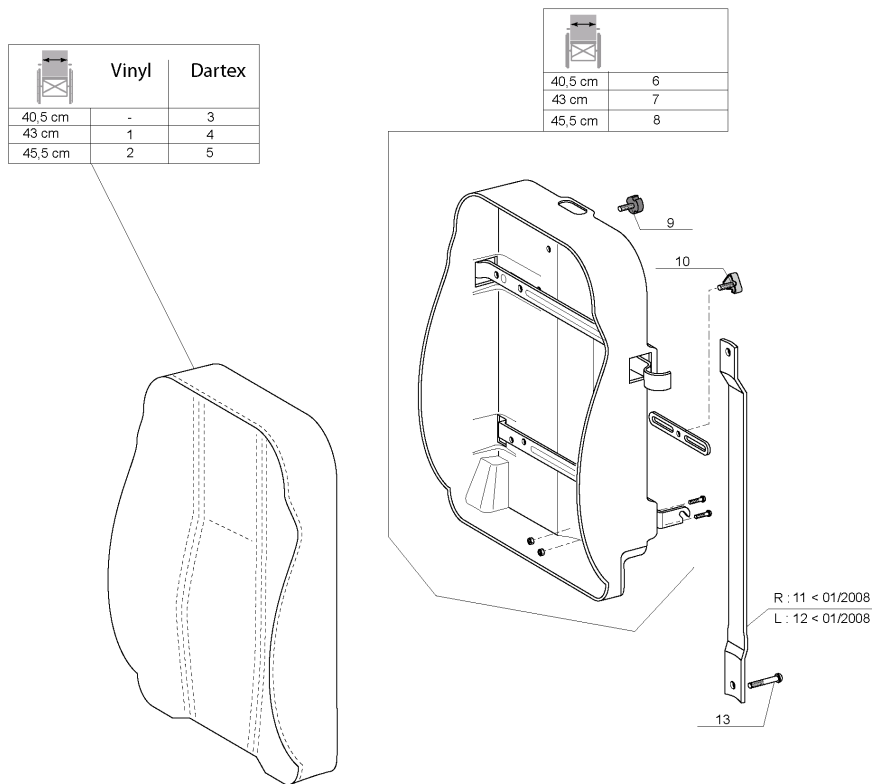
Pos.	Part number	Description	Qty
1	1428566	Adjustable Back Upholstery W 38Cm X H 43Cm	1
2	1428567	Adjustable Back Upholstery W 40,5Cm X H 43Cm	1
3	1428568	Adjustable Back Upholstery W 43Cm X H 43Cm	1
4	1428569	Adjustable Back Upholstery W 45,5Cm X H 43Cm	1
5	1428570	Adjustable Back Upholstery W 48Cm X H 43Cm	1
6	1428571	Adjustable Back Upholstery W 50,5Cm X H 43Cm	1
7	1478722	Adj Back Uphol W 55,5CM	1
8	1478769	Adj Back Uphol W 60,5CM	1
9	1449965	Adjustable Back Upholstery W 38Cm X H 43Cm (Fixed)	1
10	1449966	Adjustable Back Upholstery W 40,5Cm X H 43Cm (Fixed)	1
11	1449967	Adjustable Back Upholstery W 43Cm X H 43Cm (Fixed)	1
12	1449968	Adjustable Back Upholstery W 45,5Cm X H 43Cm (Fixed)	1
13	1449969	Adjustable Back Upholstery W 48Cm X H 43Cm (Fixed)	1
14	1449970	Adjustable Back Upholstery W 50,5Cm X H 43Cm (Fixed)	1
15	1478720	Adjustable Back Upholstery W 55,5Cm X H 43Cm (Fixed)	1
16	1478721	Adjustable Back Upholstery W 60,5Cm X H 43Cm (Fixed)	1
17	1428603	Zinc St 4,8-20F Fbx Screw	1
18	1428588	Adjustable Back Cover W 38Cm	1
19	1428589	Adjustable Back Cover W 40,5Cm	1
20	1428590	Adjustable Back Cover W 43Cm	1
21	1428591	Adjustable Back Cover W 45,5Cm	1
22	1428592	Adjustable Back Cover W 48Cm	1
23	1428593	Adjustable Back Cover W 50,5Cm	1
24	1485259	Adj Back Cover W 55,5CM	1
25	1485260	Adj Back Cover W 60,5CM	1
26	5106739-TR18	A4 Adjustable Back Cover W 38Cm (Fixed)	1
27	5106740-TR18	A4 Adjustable Back Cover W 40,5Cm (Fixed)	1
28	5106741-TR18	A4 Adjustable Back Cover W 43Cm (Fixed)	1
29	5106742-TR18	A4 Adjustable Back Cover W 45,5Cm (Fixed)	1
30	1435523	A4 Adjustable Back Cover W 48Cm (Fixed)	1
31	5106743-TR18	A4 Adjustable Back Cover W 50,5Cm (Fixed)	1
32	1478716	A4 Adjustable Back Cover W 55,5Cm (Fixed)	1
33	1478717	A4 Adjustable Back Cover W 60,5cm (Fixed)	1

Laguna backrests



Pos.	Part number	Description	Qty
1	1515710	RH Laguna baskrest fixed assy action 4	1
2	1515711	LH Laguna baskrest fixed assy action 4	1
3	1425473	Invacare Push Handle	1
4	1430848	Fixed Backrest Support Kit	1
5	1515714	RH Laguna backrest recliner assy action 4	1
6	1515715	LH Laguna backrest recliner assy action 4	1
7	1433747	Recliner Trigger	1
8	1430851	Mechanical Recliner Cable Kit	1
9	1430850	Recliner Backrest Support Kit	1
10	1448954	A4 Recliner Attachment Kit	1

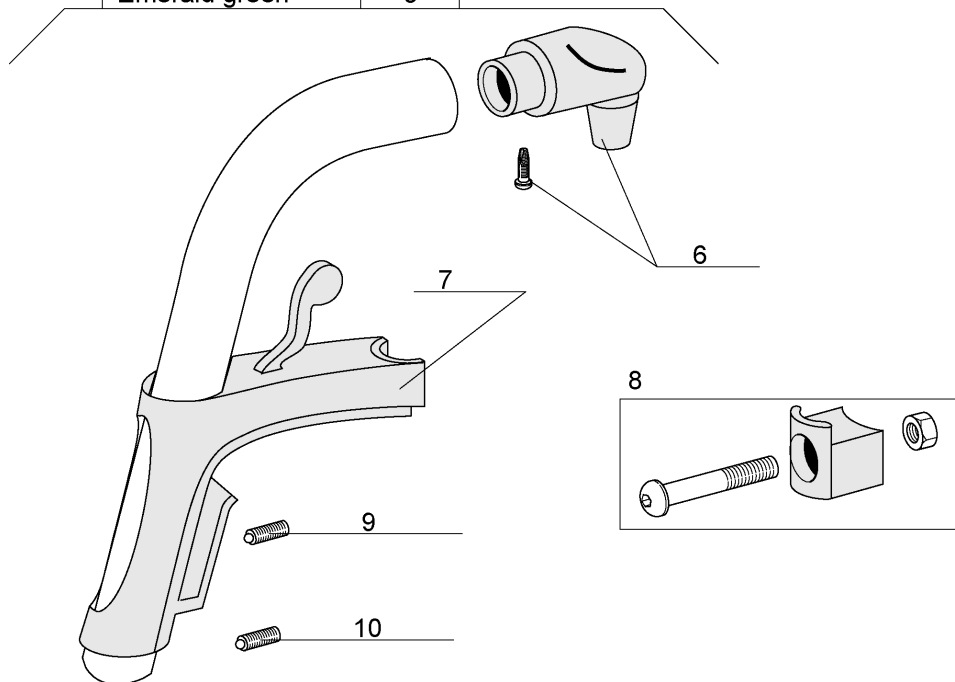
Comfort Backrests



Pos.	Part number	Description	Qty
1	1431517	Laguna Complet Backrest Cushion (Black Vinyl) W 43Cm	1
2	1431518	Laguna Complet Backrest Cushion (Black Vinyl) W 45,5Cm	1
3	1439937	Cushion Backrest Laguna 39 CI Dartex Grey	1
4	1427118	Laguna Complet Backrest Cushion (Dartex) W 43Cm	1
5	1427119	Cushion Backrest Laguna 44-CI / 45,5-A3 Dartex Grey	1
6	1437532	Laguna Backrest Shell W 40,5Cm	1
7	1437534	Laguna Backrest Shell W 43Cm	1
8	1437536	Laguna Backrest Shell W 45,5Cm	1
9	1440943	Locking Star Knob	1
10	1431303-0001	Lh Backrest Trunk Support Plate < 01/2008	1
11	1431300-0001	Rh Backrest Trunk Support Plate < 01/2008	1
12	1428603	Zinc St 4,8-20F Fbx Screw	1
13	1444116	Headrest Knob (when serial number start by 05)	1

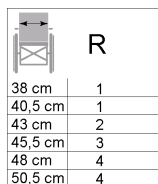
80° Standard Footrest Support

Dark red	1
Sapphir blue	2
Anthracite black	3
Pearl grey	4
Emerald green	5

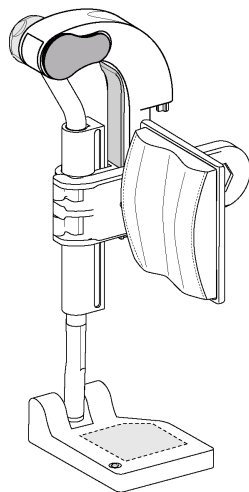
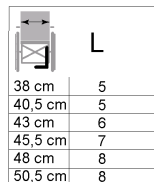


Pos.	Part number	Description	Qty
1	1428622-0607	Footrest Hanger 80° Dark Red	1
2	1428622-0608	Footrest Hanger 80° Sapphire Blue	1
3	1428622-0609	Footrest Hanger 80° Anthracite Black	1
4	1428622-0515	Footrest Hanger 80° Pearl Grey	1
5	1428622-0612	Footrest Hanger 80° Emerald Green	1
6	1430426	Hanger Pivot Kit	1
7	1442708	Hanger Support Complete (Alu Pin)	1
8	1430427	Hanger Locked Part Kit 80°	1
9	1424572	Stop Screw M10X12	1
10	1424571	Ball Screw M10X23	1

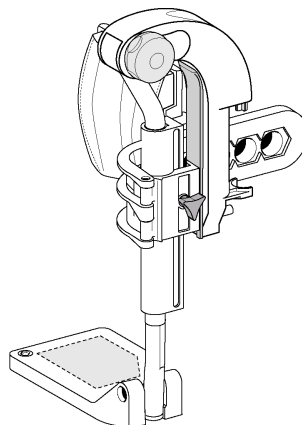
Assembly Legrest, Fixed Footrest



R	
38 cm	1
40,5 cm	1
43 cm	2
45,5 cm	3
48 cm	4
50,5 cm	4

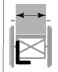



L	
38 cm	5
40,5 cm	5
43 cm	6
45,5 cm	7
48 cm	8
50,5 cm	8



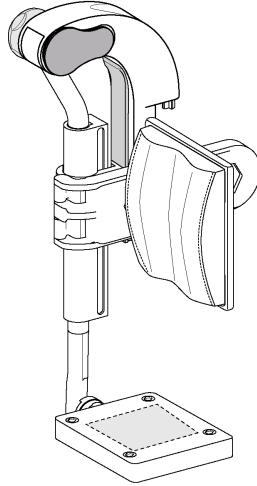
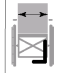
Pos.	Part number	Description	Qty
1	1432973	Rh Elevating Legrest + Fixed Footplate W 38/40,5Cm	1
2	1432975	Rh Elevating Legrest + Fixed Footplate W 43Cm	1
3	1432977	Rh Elevating Legrest + Fixed Footplate W 45,5Cm	1
4	1432979	Rh Elevating Legrest + Fixed Footplate W 48/50,5Cm	1
5	1432974	Lh Elevating Legrest + Fixed Footplate W 38/40,5Cm	1
6	1432976	Lh Elevating Legrest + Fixed Footplate W 43Cm	1
7	1432978	Lh Elevating Legrest + Fixed Footplate W 45,5Cm	1
8	1432980	Lh Elevating Legrest + Fixed Footplate W 48/50,5Cm	1

Assembly Legrest, Adjustable Footrest



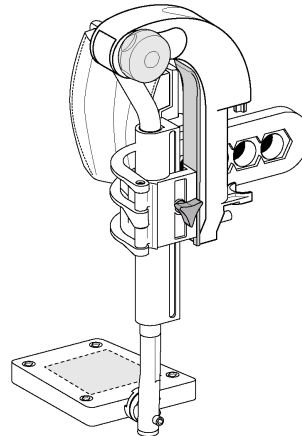
R

38 cm	1
40,5 cm	2
43 cm	3
45,5 cm	4
48 cm	5
50,5 cm	6

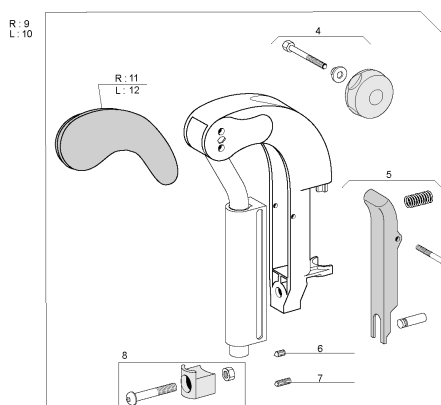
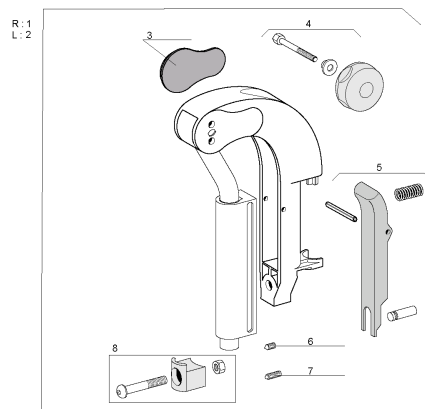
L

38 cm	7
40,5 cm	8
43 cm	9
45,5 cm	10
48 cm	11
50,5 cm	12



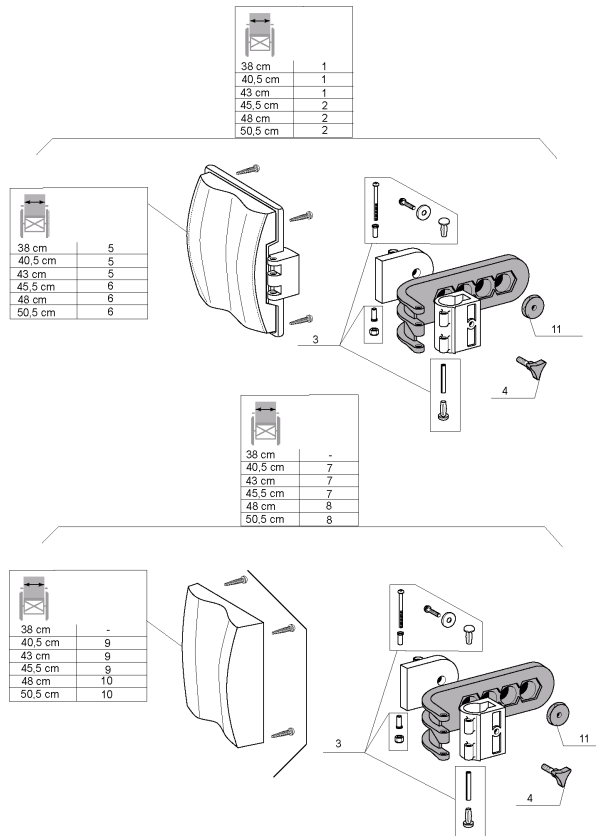
Pos.	Part number	Description	Qty
1	1432981	Rh Elevating Legrest + Adjustable Footplate W 38Cm	1
2	1432983	Rh Elevating Legrest + Adjustable Footplate W 40,5Cm	1
3	1432985	Rh Elevating Legrest + Adjustable Footplate W 43Cm	1
4	1432947	Rh Elevating Legrest + Adjustable Footplate W 45,5Cm	1
5	1432949	Rh Elevating Legrest + Adjustable Footplate W 48Cm	1
6	1432965	Rh Elevating Legrest + Adjustable Footplate W 50,5Cm	1
7	1432982	Lh Elevating Legrest + Adjustable Footplate W 38Cm	1
8	1432984	Lh Elevating Legrest + Adjustable Footplate W 40,5Cm	1
9	1432986	Lh Elevating Legrest + Adjustable Footplate W 43Cm	1
10	1432948	Lh Elevating Legrest + Adjustable Footplate W 45,5Cm	1
11	1432964	Lh Elevating Legrest + Adjustable Footplate W 48Cm	1
12	1432971	Lh Elevating Legrest + Adjustable Footplate W 50,5Cm	1

Invacare® Action4 | Legrests
Adjustable Legrest



Pos.	Part number	Description	Qty
1	1428370	Rh Elevating Legrest	1
2	1428371	Lh Elevating Legrest	1
3	1428336	Rh/Lh Knee Protector Pad	1
4	1430428	Complete Knob Kit	1
5	1430429	Legrest Trigger Kit	1
6	1424572	Stop Screw M10X12	1
7	1424571	Ball Screw M10X23	1
8	1514961	Hanger Locked Part Kit Elevating	1
9	1445809-0509	Rh Elevating Legrest + Knee Protection Dartex	1
10	1445810-0509	Lh Elevating Legrest + Knee Protection Dartex	1
11	1445808	Rh Knee Protection Dartex + Screws	1
12	1445807	Lh Knee Protection Dartex + Screws	1

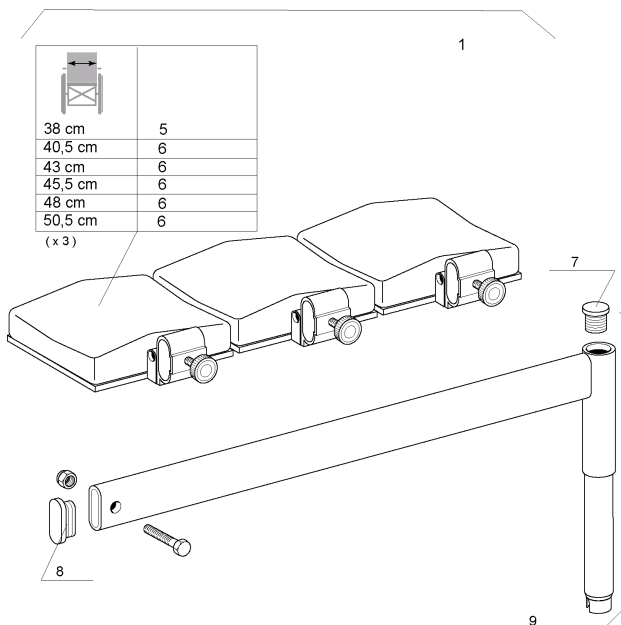
Calf Pad



Pos.	Part number	Description	Qty
1	1450932	Padded Calf Pad W 38/40,5/43Cm	1
2	1450933	Padded Calf Pad W 45,5/48/50,5Cm	1
3	1430432	Calf Pad Screws Kit	1
4	1440943	Locking Star Knob	1
4	1429215	Calf Pad Button	1
5	1430430	Nylon Calf Pad W 38-43Cm+ Fixation	1
6	1430431	Nylon Calf Pad W 45,5-50,5Cm+ Fixation	1
7	1450934	Dartex Calf Pad W 39Cm-CI / W 40,5/43 /45,5 Cm-A3-A4	1
8	1450935	Dartex Calf Pad W 44Cm-CI / W 48/50,5Cm-A3-A4	1
9	1442645	Dartex Calf Pad W 39 Cm-CI / W 40,5/43/45,5 Cm-A3/A4 + Fixation	1
10	1442646	Dartex Calf Pad W 44 Cm-CI / W 48/50Cm-A3/A4 + Fixation	1
11	1440132	Calf Pad Fixation	1

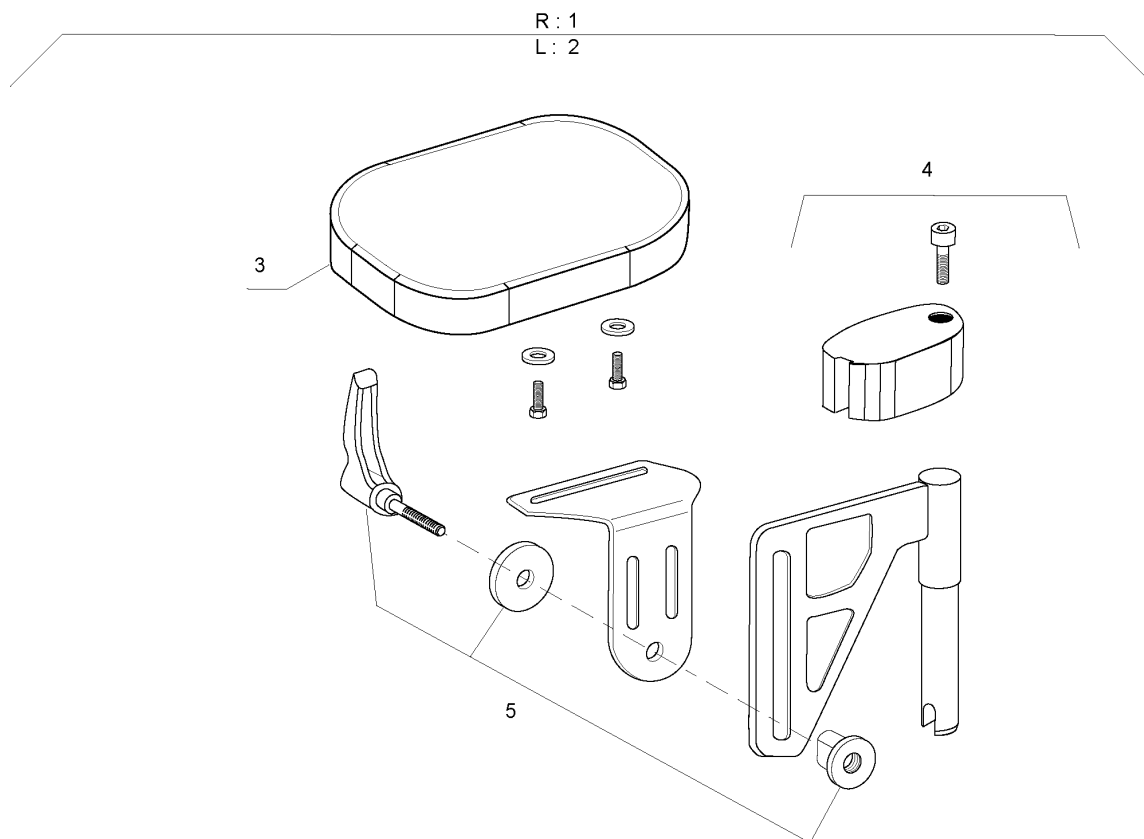
Plaster Legrest Complete

	R	L
38 cm	1	3
40,5 cm	2	4
43 cm	2	4
45,5 cm	2	4
48 cm	2	4
50,5 cm	2	4



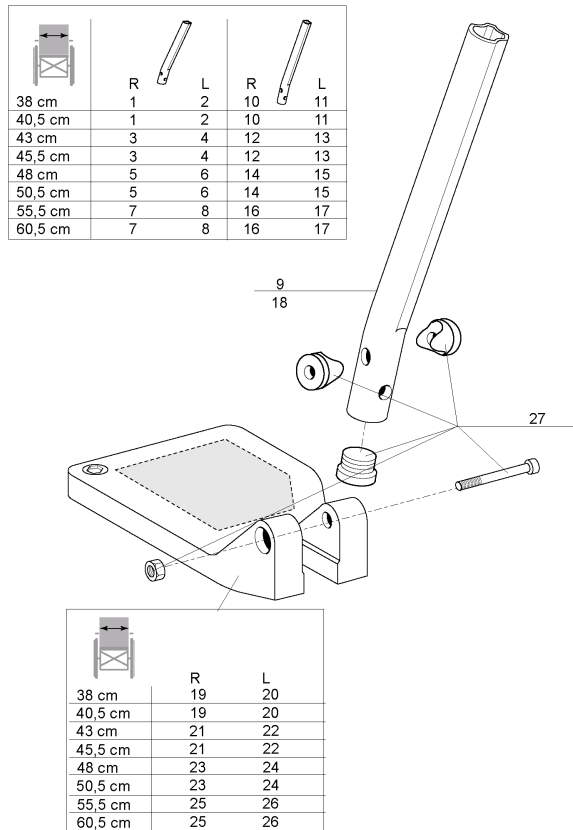
Pos.	Part number	Description	Qty
1	1432612	Rh Plaster Legrest Complete W 38Cm	1
2	1432613	Rh Plaster Legrest Complete W 40,5 To 50,5Cm	1
3	1443244	Lh Plaster Legrest Complete W 38Cm	1
4	1443245	Lh Plaster Legrest Complete W 40,5 To 50,5Cm	1
5	1403981	Complete Legrest cushion width 38 cm	1
6	1403982	Complete legrest cushion width 41 cm	1
7	0021-20003	Black 18 x 1.5 mm cylindrical cap	1
8	5716498	Plastic cap 13 x 36 x 1.5	1
9	1432614	Plaster Legrest Support Assy	1

Amputee Legrest

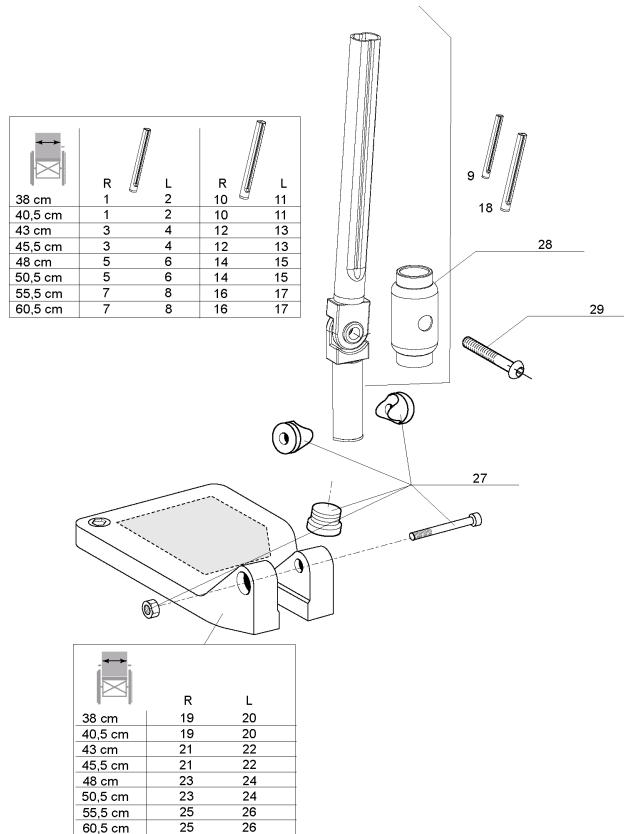


Pos.	Part number	Description	Qty
1	1442990	Rh Amputee Legrest	1
2	1442991	Lh Amputee Legrest	1
3	5221090-TR03	Amputee Legrest Cushion	1
4	1446556	Amputee Legrest Stop + Fixation	1
5	1446557	Amputee Legrest Slide Fixation Kit	1

Footrest

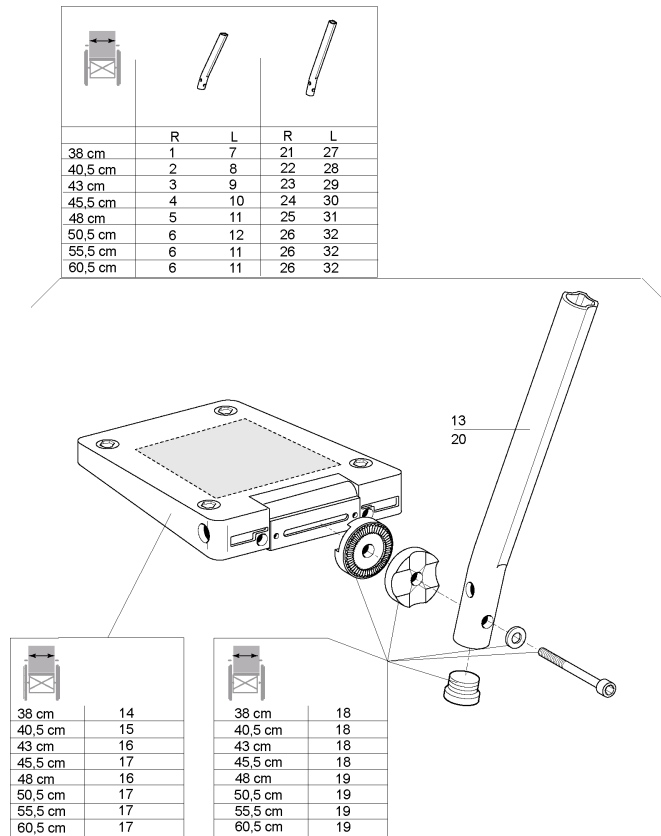


Pos.	Part number	Description	Qty
1	1428645	Rh Standard Footrest W 38Cm/40,5Cm - Short Lower Tube	1
2	1428648	Lh Standard Footrest W 38Cm/40,5Cm - Short Lower Tube	1
3	1428646	Rh Standard Footrest W 43Cm/45,5Cm - Short Lower Tube	1
4	1428649	Lh Standard Footrest W 43Cm/45,5Cm - Short Lower Tube	1
5	1428647	Rh Standard Footrest W 48Cm/50,5Cm - Short Lower Tube	1
6	1428650	Lh Standard Footrest W 43Cm/45,5Cm - Short Lower Tube	1
7	1488623	Rh Standard Footrest W 55,5Cm/60,5Cm - Short Tube	1
8	1488624	Lh Standard Footrest W 55,5Cm/60,5Cm - Short Tube	1
9	1434561-0010	Short Lower Footrest Tube	1
10	1428341	Rh Footplate W 38Cm/40,5 cm	1
11	1428340	Lh Footplate W 38Cm/40,5 cm	1
12	1424575	Rh Footplate W 39Cm-CI / 43-45,5 A3	1
13	1424574	Lh Footplate W 39Cm-CI / 43-45,5 A3	1
14	1428347	Rh Footplate W 44Cm-CI / 48-50,5 A3	1
15	1428346	Lh Footplate W 44Cm-CI / 48-50,5 A3	1
16	1428375	Rh Footplate W 49Cm-CI / W 55,5Cm/60,5Cm A4	1
17	1428374	Lh Footplate W 49Cm-CI / W 55,5Cm/60,5Cm A4	1
18	1434563-0010	Long Lower Footrest Tube	1
19	1440804	Rh Standard Footrest W 38Cm/40,5Cm - Long Lower Tube	1
20	1440807	Lh Standard Footrest W 38Cm/40,5Cm - Long Lower Tube	1
21	1440805	Rh Standard Footrest W 43Cm/45,5Cm - Long Lower Tube	1
22	1440808	Lh Standard Footrest W 43Cm/45,5Cm - Long Lower Tube	1
23	1440806	Rh Standard Footrest W 48Cm/50,5Cm - Long Lower Tube	1
24	1440809	Lh Standard Footrest W 48Cm/50,5Cm - Long Lower Tube	1
25	1488625	Rh Standard Footrest W 55,5Cm/60,5Cm - Long Tube	1
26	1488626	Lh Standard Footrest W 55,5Cm/60,5Cm - Long Tube	1
27	1430433	Adjustable Footrest Screws Kit	1



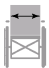
Pos.	Part number	Description	Qty
1	1488959	Rh Adjustable Footrest W 38Cm/40,5Cm - Short Tube	1
2	1488960	Lh Adjustable Footrest W 38Cm/40,5Cm - Short Tube	1
3	1485222	Rh Adjustable Footrest W 39Cm-CI / 43-45,5Cm A3/A4	1
4	1485223	Lh Adjustable Footrest W 39Cm-CI / 43-45,5Cm A3/A4	1
5	1485224	Rh Adjustable Footrest W 44Cm-CI / 48-50,5Cm A3/A4	1
6	1485225	Lh Adjustable Footrest W 44Cm-CI / 48-50,5Cm A3/A4	1
7	1485226	Rh Adjustable Footrest W 55,5Cm/60,5Cm - Short Tube	1
8	1485227	Lh Adjustable Footrest W 55,5Cm/60,5Cm - Short Tube	1
9	1485167	Short Footrest Tube	1
10	1488961	Rh Adjustable Footrest W 38Cm/40,5Cm - Long Tube	1
11	1488962	Lh Adjustable Footrest W 38Cm/40,5Cm - Long Tube	1
12	1492309	Rh Adjustable Footrest W 39Cm-CI / 43Cm/45,5Cm-A4 Long Tube	1
13	1492310	Lh Adjustable Footrest W 39Cm-CI / 43Cm/45,5Cm-A4 Long Tube	1
14	1492311	Rh Adjustable Footrest W 44Cm-CI / 48Cm/50,5Cm-A4 Long Tube	1
15	1492312	Lh Adjustable Footrest W 44Cm-CI / 48Cm/50,5Cm-A4 Long Tube	1
16	1492313	Rh Adjustable Footrest W 55,5Cm/60,5Cm - Long Tube	1
17	1492314	Lh Adjustable Footrest W 55,5Cm/60,5Cm - Long Tube	1
18	1485168	Long Footrest Tube	1
19	1428341	Rh Footplate W 38Cm/40,5 cm	1
20	1428340	Lh Footplate W 38Cm/40,5 cm	1
21	1424575	Rh Footplate W 39Cm-CI / 43-45,5 A3	1
22	1424574	Lh Footplate W 39Cm-CI / 43-45,5 A3	1
23	1428347	Rh Footplate W 44Cm-CI / 48-50,5 A3	1
24	1428346	Lh Footplate W 44Cm-CI / 48-50,5 A3	1
25	1428375	Rh Footplate W 49Cm-CI / W 55,5Cm/60,5Cm A4	1
26	1428374	Lh Footplate W 49Cm-CI / W 55,5Cm/60,5Cm A4	1
27	1430433	Adjustable Footrest Screws Kit	1
28	1485944	Adjustable Footrest Sleeve	1
29	0029-40046	Screw CBHC M8X20	1

Footrest angle & deptajustable

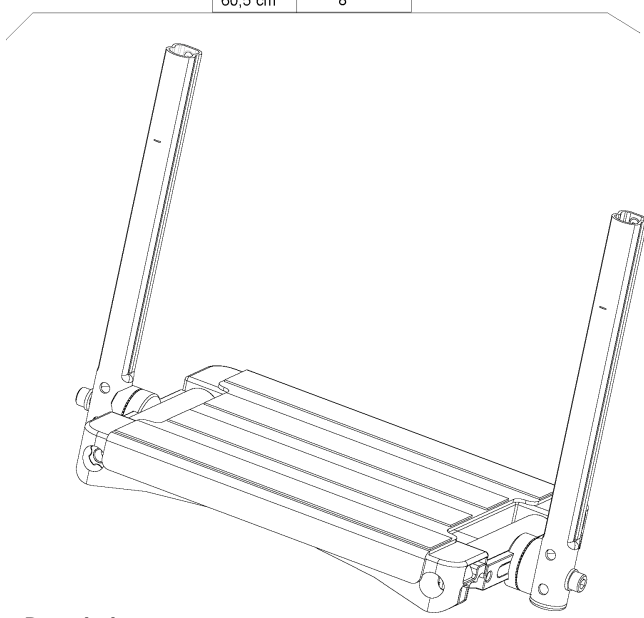


Pos.	Part number	Description	Qty
4	1428654	Rh Adjustable Footrest W 44 Cm-CI /45,5 Cm-A3-A4 - Short Lower Tube	1
1	1428651	Rh Adjustable Footrest W 38Cm - Short Lower Tube	1
2	1428652	Rh Adjustable Footrest W 39 Cm-CI /40,5 Cm-A3-A4 - Short Lower Tube	1
3	1428653	Rh Adjustable Footrest W 43Cm - Short Lower Tube	1
5	1428655	Rh Adjustable Footrest W 48Cm - Short Lower Tube	1
6	1428656	Rh Adjustable Footrest W 49 Cm-CI /50,5 Cm-A3-A4 - Short Lower Tube	1
7	1428657	Lh Adjustable Footrest W 38Cm - Short Lower Tube	1
8	1428658	Lh Adjustable Footrest W 39 Cm-CI /40,5 Cm-A3-A4 - Short Lower Tube	1
9	1428659	Lh Adjustable Footrest W 43Cm - Short Lower Tube	1
10	1428660	Lh Adjustable Footrest W 44 Cm-CI /45,5 Cm-A3-A4 - Short Lower Tube	1
11	1428661	Lh Adjustable Footrest W 48Cm - Short Lower Tube	1
12	1428662	Lh Adjustable Footrest W 49 Cm-CI /50,5 Cm-A3-A4 - Short Lower Tube	1
13	1434561-0010	Short Lower Footrest Tube	1
14	5106374	Adjustable Footplate 43 cm	1
15	5106375	Adjustable Footplate 39 Cm-CI / 46 Cm-A3/A4	1
16	5106594	Adjustable Footplate 48Cm	1
17	5106376	Adjustable Footplate 44-49 Cm-CI / 50 Cm-A3/A4	1
18	1430839	Adjustable Footrest W 39-44 cm-CI / 38 cm/45,5 cm-A3/A4 Screws Kit	1
19	1430840	Adjustable Footrest W 49 Cm-CI / 48Cm/50,5Cm-A3/A4 Screws Kit	1
20	1434563-0010	Long Lower Footrest Tube	1
21	1440810	Rh Adjustable Footrest W 38Cm - Long Lower Tube	1
22	1440811	Rh Adjustable Footrest W 40,5Cm - Long Lower Tube	1
23	1440812	Rh Adjustable Footrest W 43Cm - Long Lower Tube	1
24	1440813	Rh Adjustable Footrest W 45,5Cm - Long Lower Tube	1
25	1440814	Rh Adjustable Footrest W 48Cm - Long Lower Tube	1
26	1440815	Rh Adjustable Footrest W 50,5Cm - Long Lower Tube	1
27	1440816	Lh Adjustable Footrest W 38Cm - Long Lower Tube	1
28	1440817	Lh Adjustable Footrest W 40,5Cm - Long Lower Tube	1
29	1440818	Lh Adjustable Footrest W 43Cm - Long Lower Tube	1
30	1440819	Lh Adjustable Footrest W 45,5Cm - Long Lower Tube	1
31	1440820	Lh Adjustable Footrest W 48Cm - Long Lower Tube	1
32	1440821	Lh Adjustable Footrest W 50,5Cm - Long Lower Tube	1

Invacare® Action4 | Footrests
One Piece Footplate

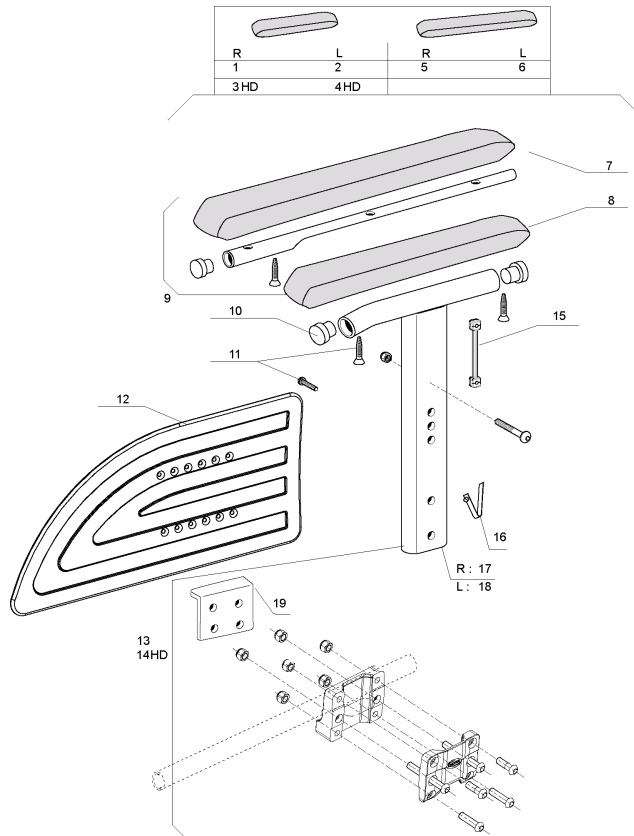


38 cm	1
40,5 cm	2
43 cm	3
45,5 cm	4
48 cm	5
50,5 cm	6
55,5 cm	7
60,5 cm	8



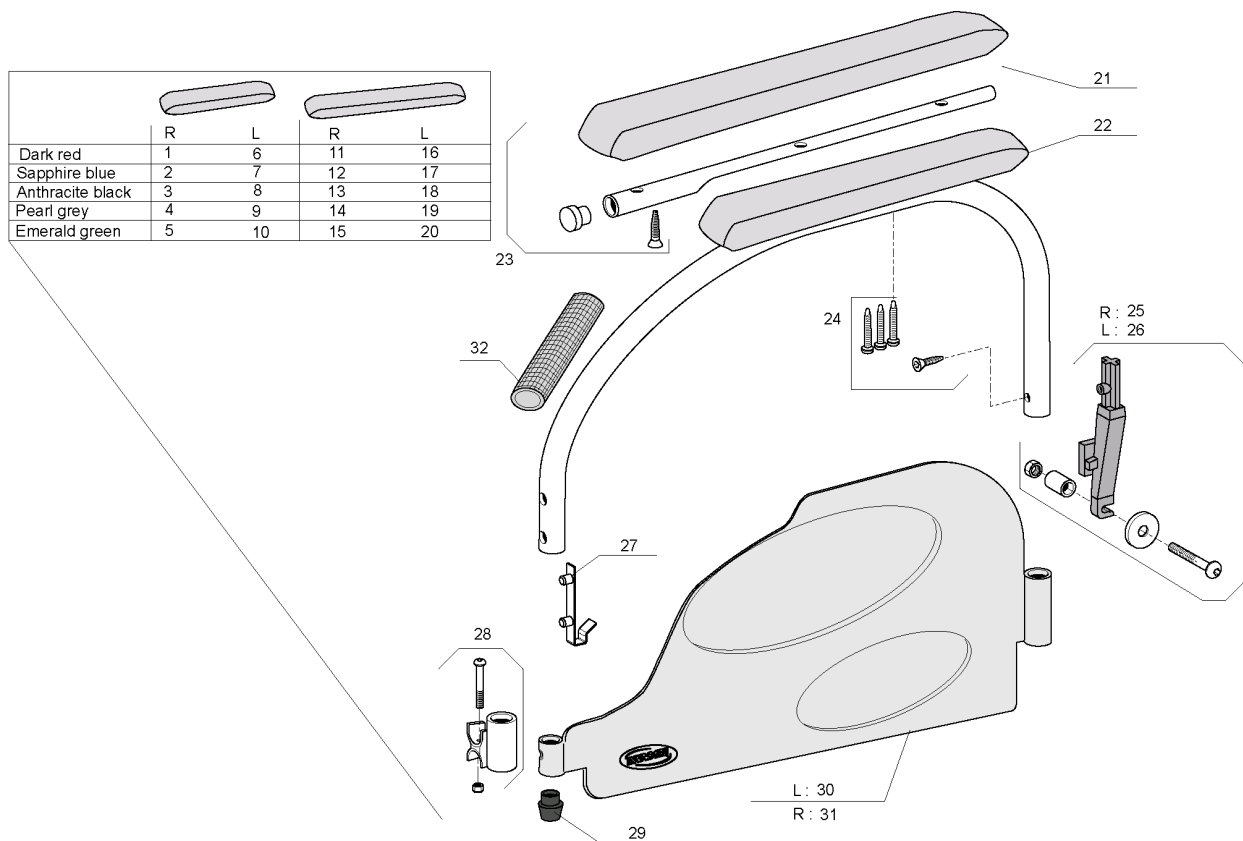
Pos.	Part number	Description	Qty
1	1496945	One piece footplate 38cm	1
2	1496946	One piece footplate 40,5cm	1
3	1496947	One piece footplate 43cm	1
4	1496948	One piece footplate 45,5cm	1
5	1496949	One piece footplate 48cm	1
6	1496953	One piece footplate 50,5cm	1
7	1510382	One piece footplate 55,5cm	1
8	1510383	One piece footplate 60,5cm	1

Height Adjustable Armrest 1 Rio



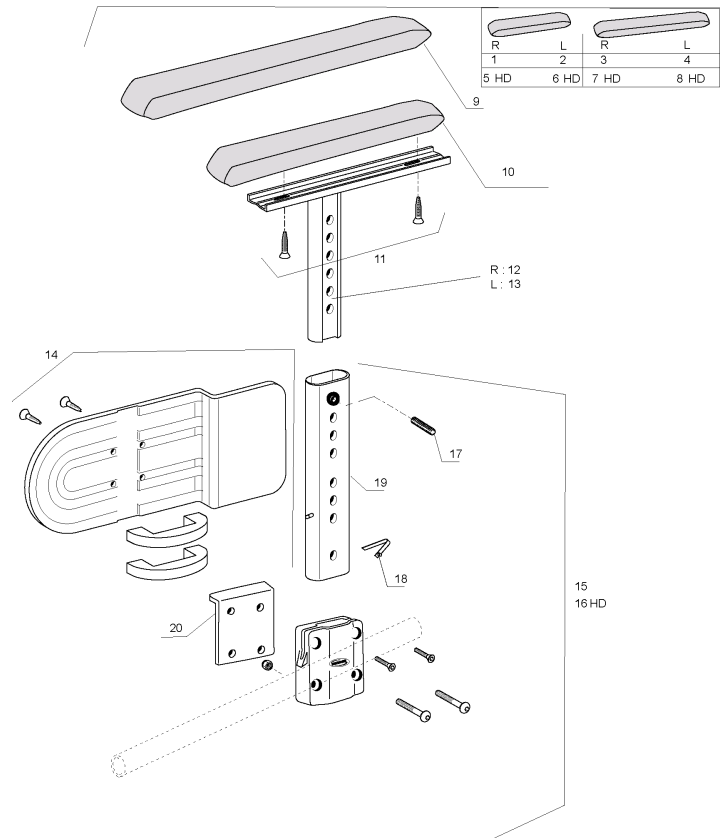
Pos.	Part number	Description	Qty
1	1449977	Rh Desk Armrest 1; Removable And Height Adjustable; Rio	1
2	1449978	Lh Desk Armrest 1; Removable And Height Adjustable; Rio	1
3	1478770	Rh Desk Armrest 1 Rio Hd	1
4	1478771	Lh Desk Armrest 1 Rio Hd	1
5	1449979	Rh Long Armrest 1; Removable And Height Adjustable; Rio	1
6	1449980	Lh Long Armrest 1; Removable And Height Adjustable; Rio	1
7	1426723	Long Armpad (35 Cm)	1
8	1426721	Short Armpad (25 Cm)	1
9	1432595	Long Armpad Fixation Kit	1
10	0021-20028	Black 19 x 1.5 mm Cylindrical Cap	1
11	1430422	Armrest 1 Screws Kit	1
12	1434725	Armrest Skirtguard N°1 Rio	1
13	1450984	Armrest Central Support Assy	1
14	1487436	Central Support Armrest 4 Kit Hd	1
15	1435388	Rio Skitguard Insert	1
16	0027-10003	6 mm stud spring	1
16	0027-10002	Armrest Push Pin	1
17	1428721-0601	Rh Armrest Tube Support	1
18	1425467-0601	Lh Armrest Tube Support	1
19	1488995-0699	Armrest Plate For Heavy Version	1

Swing Away & Detachable Armrest 2



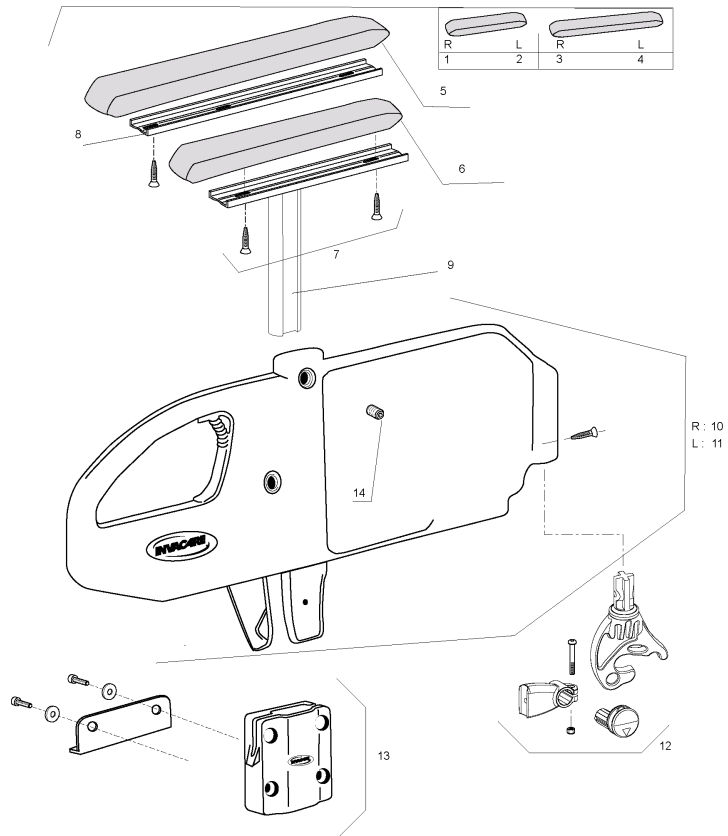
Pos.	Part number	Description	Qty
1	1428604-0607	Rh Desk Armrest 2; Dark Red	1
2	1428604-0608	Rh Desk Armrest 2; Sapphire Blue	1
3	1428604-0609	Rh Desk Armrest 2; Anthracite Black	1
4	1428604-0515	Rh Desk Armrest 2; Pearl Grey	1
5	1428604-0612	Rh Desk Armrest 2; Emerald Green	1
6	1428605-0607	Lh Desk Armrest 2; Dark Red	1
7	1428605-0608	Lh Desk Armrest 2; Sapphire Blue	1
8	1428605-0609	Lh Desk Armrest 2; Anthracite Black	1
9	1428605-0515	Lh Desk Armrest 2; Pearl Grey	1
10	1428605-0612	Lh Desk Armrest 2; Emerald Green	1
11	1428606-0607	Rh Long Armrest 2; Dark Red	1
12	1428606-0608	Rh Long Armrest 2; Sapphire Blue	1
13	1428606-0609	Rh Long Armrest 2; Anthracite Black	1
14	1428606-0515	Rh Long Armrest 2; Pearl Grey	1
15	1428606-0612	Rh Long Armrest 2; Emerald Green	1
16	1428607-0607	Lh Long Armrest 2; Dark Red	1
17	1428607-0608	Lh Long Armrest 2; Sapphire Blue	1
18	1428607-0609	Lh Long Armrest 2; Anthracite Black	1
19	1428607-0515	Lh Long Armrest 2; Pearl Grey	1
20	1428607-0612	Lh Long Armrest 2; Emerald Green	1
21	1426723	Long Armpad (35 Cm)	1
22	1426721	Short Armpad (25 Cm)	1
23	1432595	Long Armpad Fixation Kit	1
24	1430424	Armrest 2 Screws Kit	1
25	1430423	Rh Armrest Rear Support Kit	1
26	1431284	Lh Armrest Rear Support Kit	1
27	1018225	Double stud spring	1
28	0572-05368	Front armrest mounting kit	1
29	0572-03405	Short conical cap	1
30	1491220	Lh Armrest Skirtguard 2	1
31	1491219	Rh Armrest Skirtguard 2	1
32	0572-02851	Armrest Handle Cover	1

Height Adjustable Armrest 4



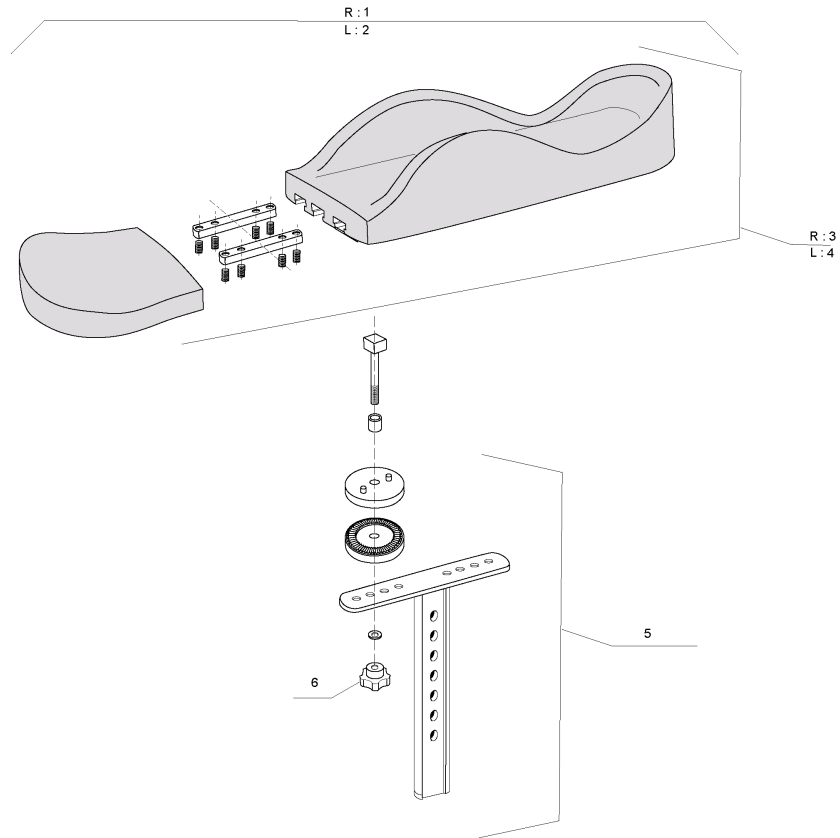
Pos.	Part number	Description	Qty
1	1449987	Adjustable Armrest 4, Short Pad Rh	1
2	1449988	Adjustable Armrest 4, Short Pad Lh	1
3	1450015	Adjustable Armrest 4, Long Pad Rh	1
4	1450016	Adjustable Armrest 4, Long Pad Lh	1
5	1487437	Adjustable Armrest 4, Short Pad Rh Hd	1
6	1487438	Adjustable Armrest 4, Short Pad Lh Hd	1
7	1487439	Adjustable Armrest 4, Long Pad Rh Hd	1
8	1487440	Adjustable Armrest 4, Long Pad Lh Hd	1
9	1434677	Long Armpad Flat Support	1
10	1434676	Short Armpad Flat Support	1
11	0029-40532	Fbz Screw D 4,8X19	1
12	1449637-0010	Adjustable Mounting Tube Lh	1
13	1449638-0010	Armpad Support Lh	1
14	1430425	Skirtguard Armrest 4 Fixation Kit	1
15	1451766	Central Support Armrest 4 Kit	1
16	1487436	Central Support Armrest 4 Kit Hd	1
17	5106533	Headless Screw M8 X 7,5	1
18	0027-10003	6 mm stud spring	1
18	0027-10002	Armrest Push Pin	1
19	1443058	Lowest Arm Rest Tube Support N°4	1
20	1488995-0699	Armrest Plate For Heavy Version	1

Height Adjustable Monobloc Armrest



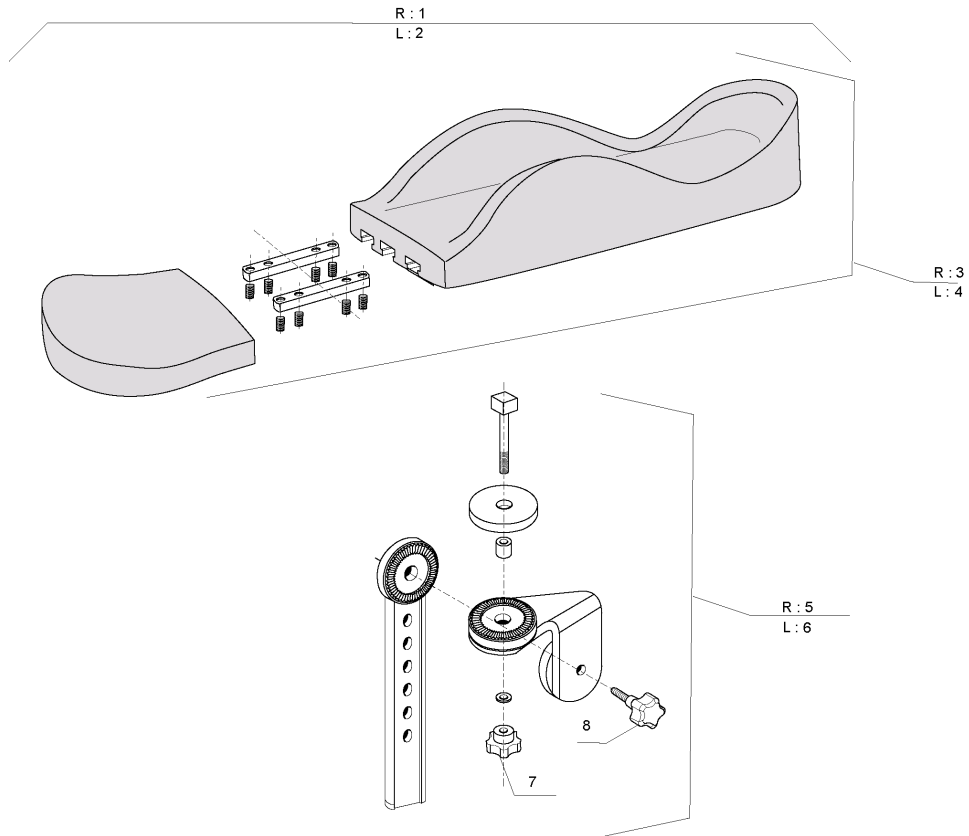
Pos.	Part number	Description	Qty
1	1450021	Monobloc Armrest Flip-Up, Short Pad Rh	1
2	1450022	Monobloc Armrest Flip-Up, Short Pad Lh	1
3	1450023	Monobloc Armrest Flip-Up, Long Pad Rh	1
4	1450024	Monobloc Armrest Flip-Up, Long Pad Lh	1
5	1434677	Long Armpad Flat Support	1
6	1434676	Short Armpad Flat Support	1
7	0029-40532	Fbz Screw D 4,8X19	1
8	1439876	Long Armpad Reinforced Plate	1
9	1435382-0008	Monobloc Armpad Support	1
10	1450623	Monobloc Support Base Rh	1
11	1497342	Monobloc Support Base Lh	1
12	1450625	A4 Monobloc Armrest Rear Support Kit	1
13	1448975	Monobloc Central Support A4	1
14	5106533	Headless Screw M8 X 7,5	1

Armpad Hemi Motion Simple Adjustable



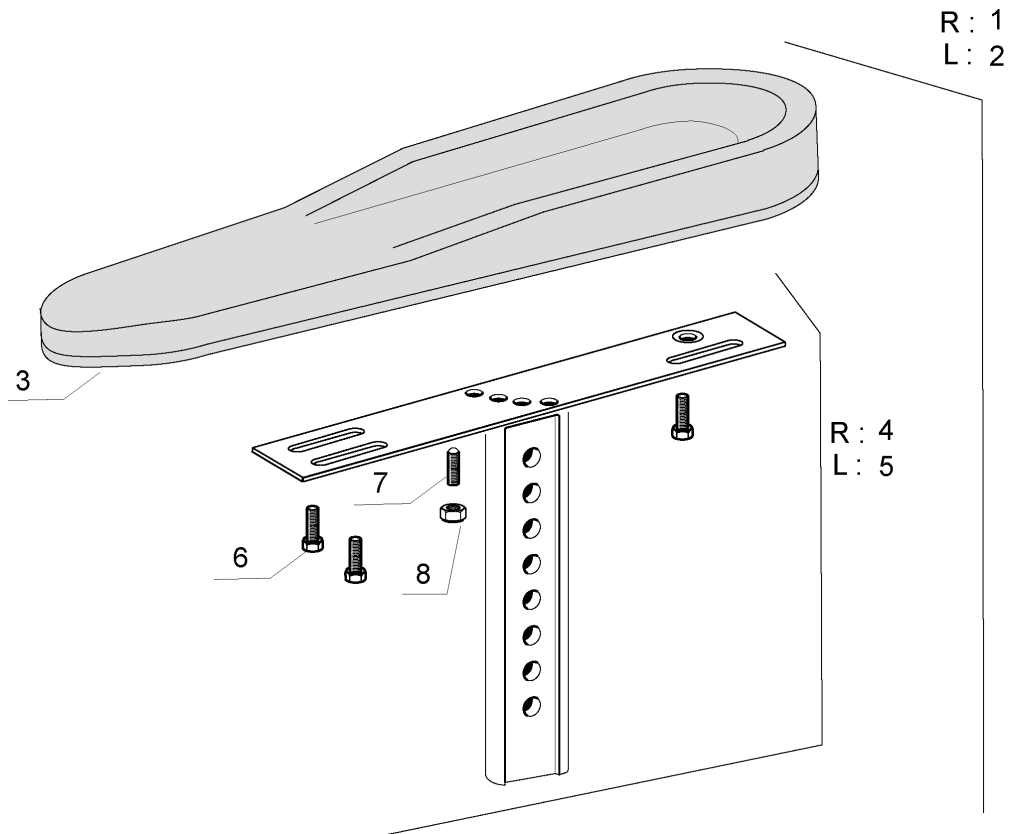
Pos.	Part number	Description	Qty
1	1443024	Rh Hemi Motion Armpad Simple Adjustable	1
2	1443025	Lh Hemi Motion Armpad Simple Adjustable	1
3	1444965	Rh Motion Armpad	1
4	1442973	Lh Motion Armpad	1
5	1443028	Mounting Kit Motion Armpad Simple Adjustable	1
6	0021-60032	Button M6-25	1

Armpad Hemi Motion Multi Adjustable



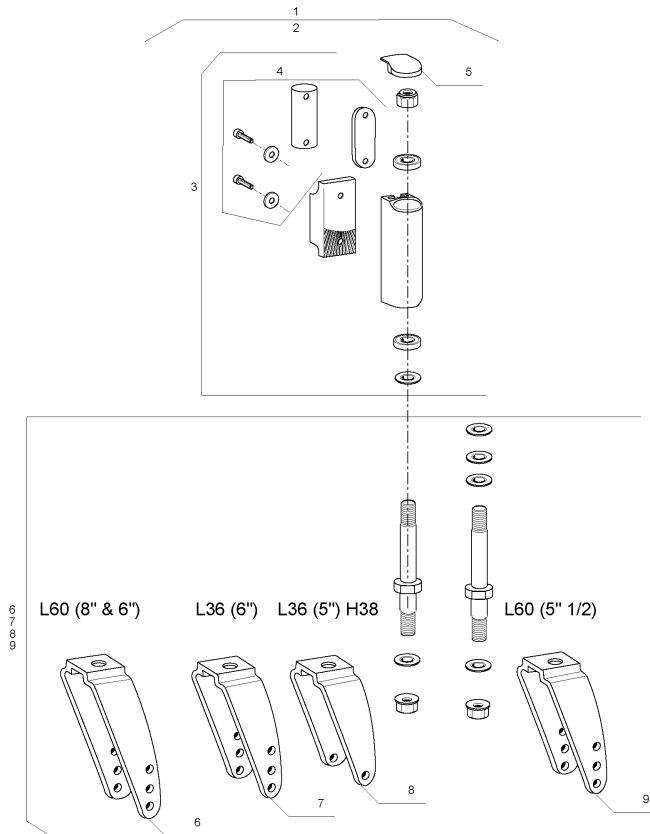
Pos.	Part number	Description	Qty
1	1443029	Rh Hemi Motion Armpad Multi Adjustable	1
2	1443030	Lh Hemi Motion Armpad Multi Adjustable	1
3	1444965	Rh Motion Armpad	1
4	1442973	Lh Motion Armpad	1
5	1443031	Rh Mounting Kit Motion Armpad Multi Adjustable	1
6	1443032	Lh Mounting Kit Motion Armpad Multi Adjustable	1
7	0021-60032	Button M6-25	1
8	0021-60029	32 mm M6 x 16 Button	1

Hemi Dartex Armpad Multiposition



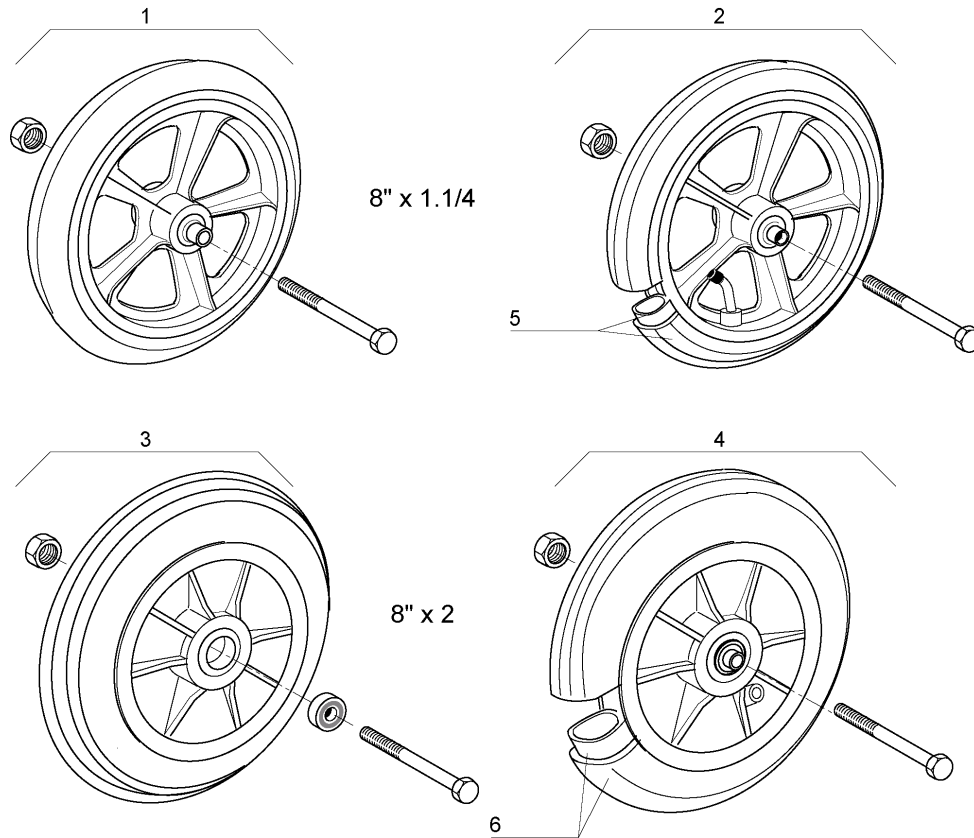
Pos.	Part number	Description	Qty
1	1493219	Rh Hemi Dartex Armpad Assy	1
2	1493220	Lh Hemi Dartex Armpad Assy	1
3	1493251	Hemi Dartex Armpad	1
4	1494005	Rh Hemi Dartex Multi Position Support	1
5	1494006	Lh Hemi Dartex Multi Position Support	1
6	0029-40212	M6X16 Cbhc Screw	1
7	1424571	Ball Screw M10X23	1
8	1493218	M10 Lower Nut	1

Forks



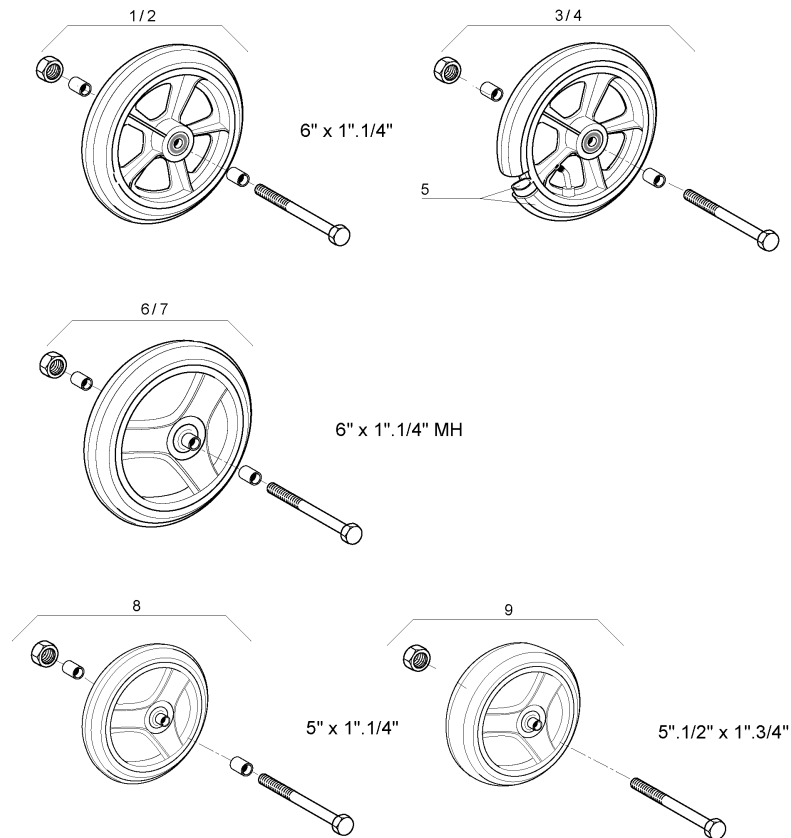
Pos.	Part number	Description	Qty
1	1450025	Complete Fork Kit L60 (8" & 6")	1
2	1450026	Complete Fork Kit L36 (6")	1
3	1444804	Fork Support Kit A3-A4	1
4	1450028	Fork Fixation Kit A3-A4	1
5	1449245	Fork Plastic Cap	1
6	1444802	Fork Kit L60 (8"&6")	1
7	1444803	Fork Kit L36 (6")	1
8	1451775	Fork Kit L36 (5")	1
9	1515699	Fork kit L60 (5"1/2)	1

8 Front Castors



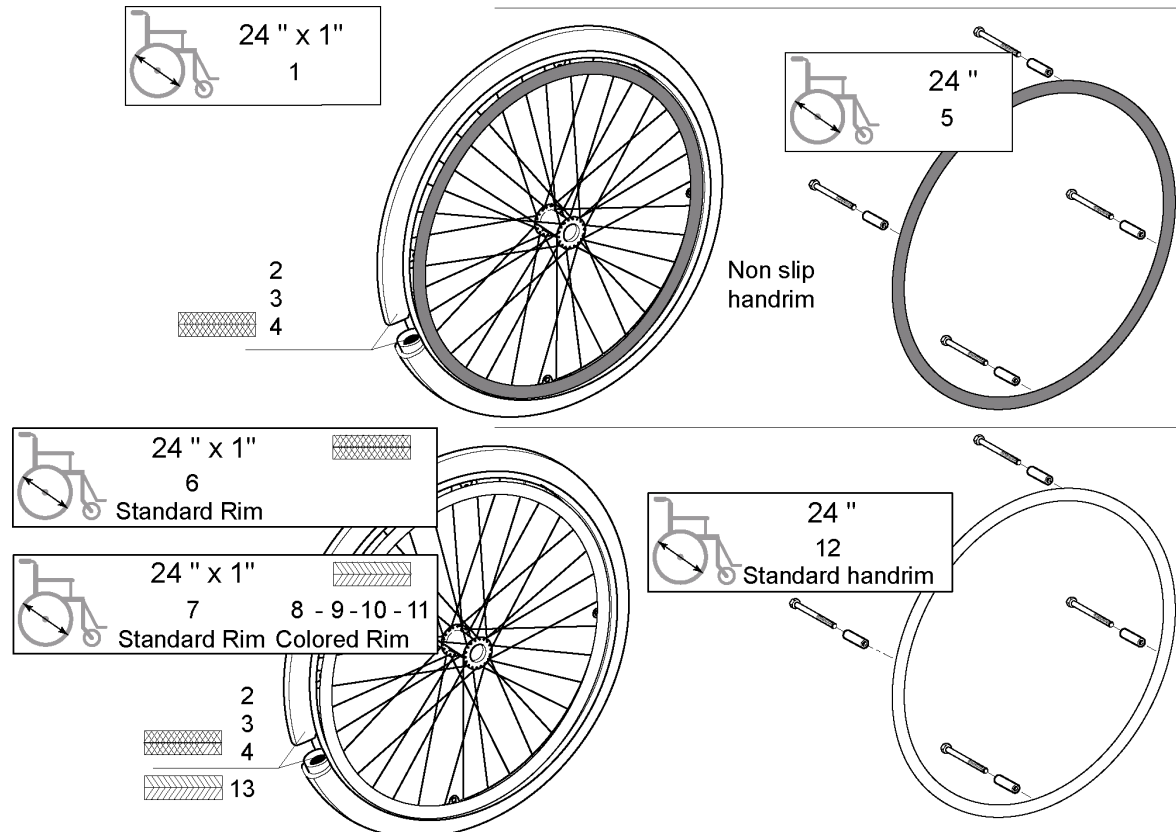
Pos.	Part number	Description	Qty
1	0572-02013	8" x 1 1/4" castor solid tyre complete	1
2	0572-01859	8" x 1 1/4" castor pneumatic tyre complete	1
3	1430873	8" x 1 1/4" pneumatic tyre + inner tube	1
4	0572-06128	8" x 2" castor solid tyre complete	1
5	0572-02071	8" x 2" castor pneumatic tyre complete	1
6	1430874	8" x 2" pneumatic tyre + inner tube	1

6"X5" Front Castors



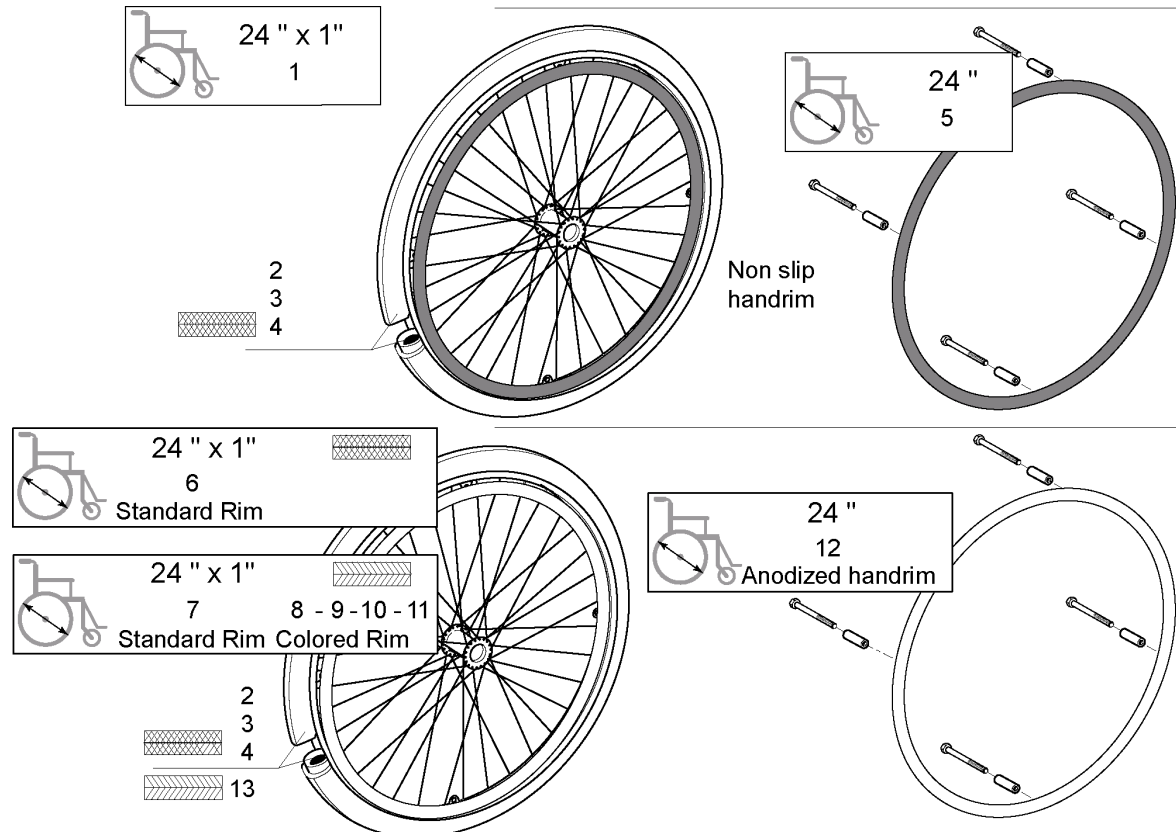
Pos.	Part number	Description	Qty
1	1450174	6" castor solid type complete width 36 cm	1
2	1428895	6" x 1 1/4" castor solid tyre complete L 60	1
3	1450175	6" castor pneumatic type complete width 36 mm	1
4	1428894	6" x 1 1/4" castor pneumatic tyre complete 60 mm	1
5	1431275	6" x 1 1/4" pneumatic tyre + inner tube	1
6	1450176	A4 6 Castor Medium Hard Type Complete L : 60 Mm	1
7	1450622	A4 6 Castor Medium Hard Type Complete L :36 Mm	1
8	1450173	5"x1" Castor Solid Type + Fixation L 36 mm	1
9	5750734	5"1/2 x 1"3/4 Medium Hard type complete L:60 mm	1

24"x1" Spoked rear wheel QR axles <03/2007



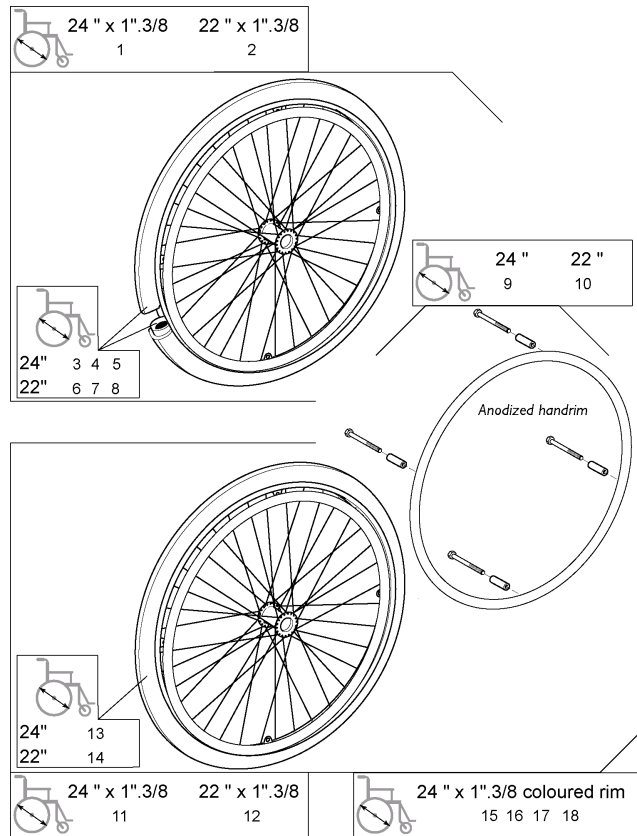
Pos.	Part number	Description	Qty
1	1505618	Pair 24"x1" + pneumatic tyre + anti slip handrim	1
2	0036-30013	Tyre 24" x 1" Primo	1
3	0036-40003	24" rim tape	1
4	1032240	24" x 1" inner tube	1
5	1431315	24" anti-slip hand rim 4 fixations	1
6	1505309	Pair 24"x1"+ pneumatic tyre + anodised handrim	1
7	1507796	Pair 24"x1" non marking pneumatic + anodised handrim	1
8	1507797-0607	Pair 24"x1" non marking tyre anodised handrim dark red	1
9	1507797-0608	Pair 24"x1" non marking tyre anodised handrim sapphire blue	1
10	1507797-0609	Pair 24"x1" non marking tyre anodised handrim antracite black	1
11	1507797-0612	Pair 24"x1" non marking tyre anodised handrim emerald green	1
12	1431314	24" anodised hand rim 4 fixations	1
13	1026138	24" x 1" non marking pneumatic	1

24"X1" Spoked rear wheel >03/2007



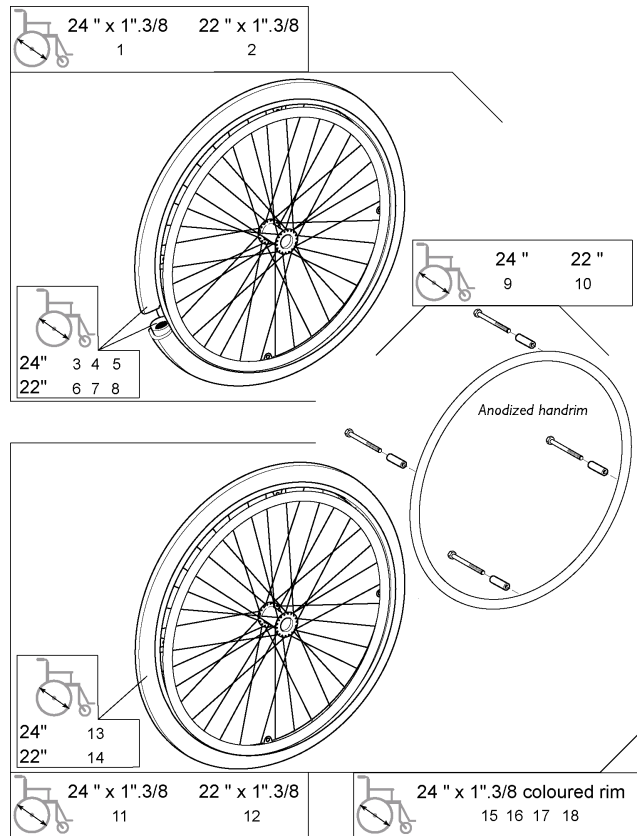
Pos.	Part number	Description	Qty
1	1498426	24 x 1" + pneumatic tyre + anti-slip hand rim"	1
2	0036-30013	Tyre 24" x 1" Primo	1
3	0036-40003	24" rim tape	1
4	1032240	24" x 1" inner tube	1
5	1505298	24" anti-slip hand rim 4 fixations	1
6	1498425	24 x 1"+ pneumatic tyre + anodised hand rim"	1
7	1498431	24 x 1" non marking pneumatic + anodized handrim"	1
8	1498431-0607	24 x 1" non marking tyre anodised hand rim dark red"	1
9	1498431-0608	24 x 1" non marking tyre anodised hand rim sapphire blue"	1
10	1498431-0609	24 x 1" non marking tyre anodised hand rim anthracite black"	1
11	1498431-0612	24 x 1" non marking tyre anodised hand rim emerald green"	1
12	1505291	24" anodised hand rim 4 fixations	1
13	1026138	24" x 1" non marking pneumatic	1

Rear spoked wheel anodised handrim +QR axles <03/2007



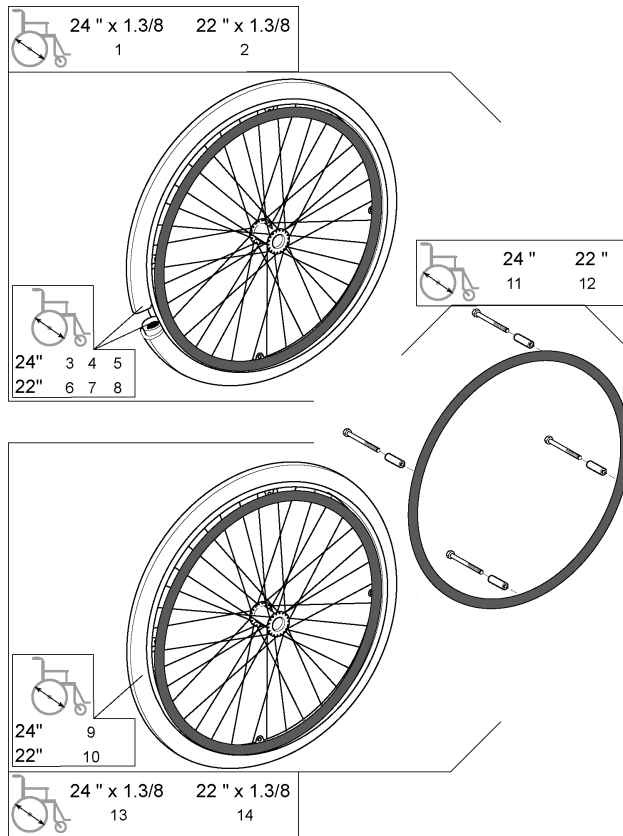
Pos.	Part number	Description	Qty
1	1505305	Pair 24"x1".3/8 + pneumatic tyre + anodised handrim + QR Axle	1
2	1505306	Pair 22x1".3/8 + Pneumatic Tyre + Anodised Handrim + QR Axle	1
3	0036-30001	24" x 1 3/8" pneumatic	1
4	0036-30035	22" x 1 3/8" Pneumatic	1
5	0036-40003	24" rim tape	1
6	0036-40002	22" Rim Tape	1
7	0036-20001	24" inner tube	1
8	0036-20007	C54 22" Pneumatic Tyre Inner Tube	1
9	1431314	24" anodised hand rim 4 fixations	1
10	1431320	22" Anodised Handrim 4 Fixations	1
11	1505307	Pair 24"x1".3/8 + solid tyre + anodised handrim + QR Axle	1
12	1505308	Pair 22x1".3/8 + Solid Tyre + Anodised Handrim + QR Axle	1
13	0036-10013	24" solid tyre	1
14	0036-10014	22" solid tyre	1
15	1507798-0607	Pair 24"x1".3/8 + solid tyre dark red + anodised handrim	1
16	1507798-0608	Pair 24"x1".3/8 + solid tyre sapphir blue + anodised handrim	1
17	1507798-0609	Pair 24"x1".3/8 + solid tyre anthracite black + anodised handrim	1
18	1507798-0612	Pair 24"x1".3/8 + solid tyre emerald green + anodised handrim	1

Rear spoked wheel anodised handrim >03/2007



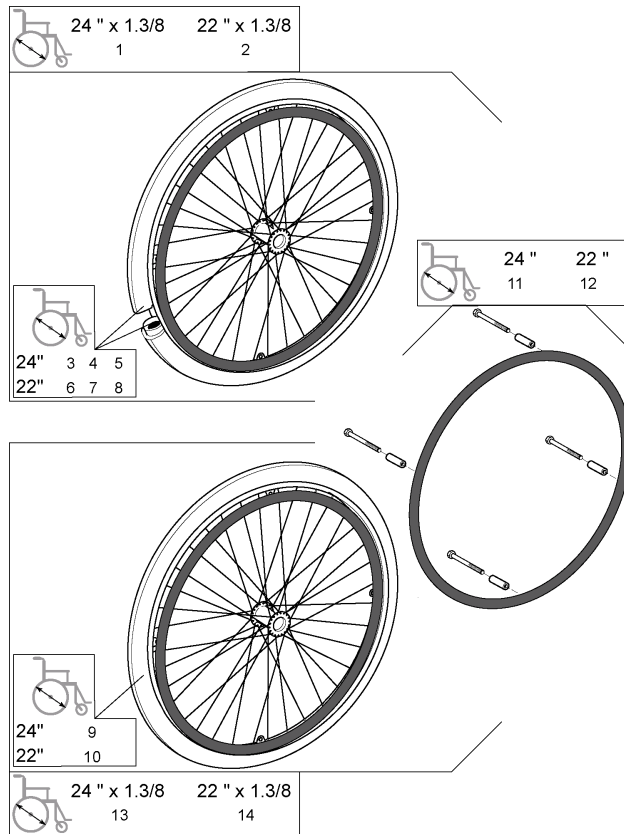
Pos.	Part number	Description	Qty
1	1498423	24" x 1 3/8" spoked + pneumatic tyre + anodised hand rim	1
2	1498434	22" x 1 3/8" Spoked + Pneumatic Tyre + Anodised Handrim	1
3	0036-30001	24" x 1 3/8" pneumatic	1
4	0036-30035	22" x 1 3/8" Pneumatic	1
5	0036-40003	24" rim tape	1
6	0036-40002	22" Rim Tape	1
7	0036-20001	24" inner tube	1
8	0036-20007	C54 22" Pneumatic Tyre Inner Tube	1
9	1505291	24" anodised hand rim 4 fixations	1
10	1505299	22" Anodised Handrim 4 Fixations	1
11	1498263	24" x 1 3/8" spoked + solid tyre + anodised hand rim	1
12	1498432	22" x 1 3/8" Spoked + Solid Tyre + Anodised Handrim	1
13	0036-10013	24" solid tyre	1
14	0036-10014	22" solid tyre	1
15	1498263-0607	24 x 1".3/8 solid tyre dark red anodized hand rim"	1
16	1498263-0608	24 x 1".3/8 solid solid tyre sapphir blue anodized hand rim"	1
17	1498263-0609	24 x 1".3/8 solid solid tyre anthracite black anodized hand rim"	1
18	1498263-0612	24 x 1".3/8 solid tyre emerald green anodized hand rim"	1

Rear spoked wheel anti slip + QR axles <03/2007



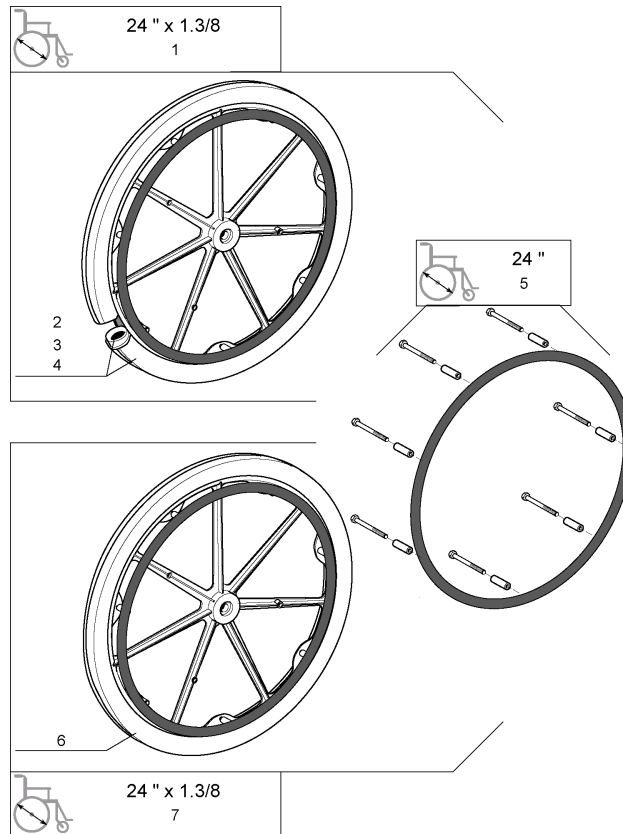
Pos.	Part number	Description	Qty
1	1505393	Pair 24"x1".3/8+ pneumatic + anti slip handrim + QR Axle	1
2	1505410	Pair 22"x1".3/8+ pneumatic + anti slip handrim + QR Axle	1
3	0036-30001	24" x 1 3/8" pneumatic	1
4	0036-20001	24" inner tube	1
5	0036-40003	24" rim tape	1
6	0036-30035	22" x 1 3/8" Pneumatic	1
7	0036-20007	C54 22" Pneumatic Tyre Inner Tube	1
8	0036-40002	22" Rim Tape	1
9	0036-10013	24" solid tyre	1
10	0036-10014	22" solid tyre	1
11	1431314	24" anodised hand rim 4 fixations	1
12	1431320	22" Anodised Handrim 4 Fixations	1
13	1505595	Pair of 24x 1" 3/8 spoked + solid tyre + anti-slip hand rim + QR axle"	1
14	1505608	Pair 22"x1".3/8+ solid tyre + anti slip handrim + QR Axle	1

Rear spoked wheel anti-slip hand rim >03/2007



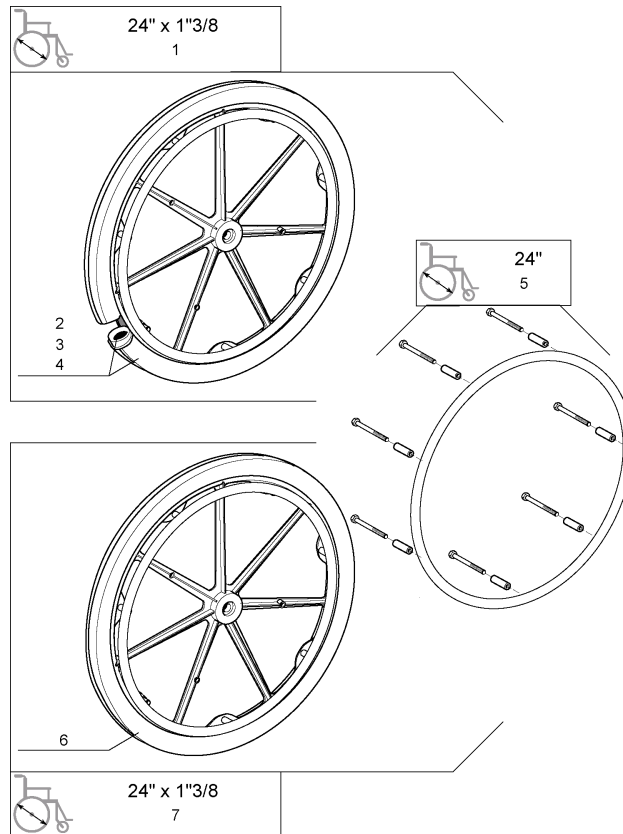
Pos.	Part number	Description	Qty
1	1498424	24" x 1 3/8" spoked + pneumatic tyre + anti-slip hand rim	1
2	1498435	22" x 1 3/8" spoked + pneumatic tyre + anti-slip hand rim	1
3	0036-30001	24" x 1 3/8" pneumatic	1
4	0036-20001	24" inner tube	1
5	0036-40003	24" rim tape	1
6	0036-30035	22" x 1 3/8" Pneumatic	1
7	0036-20007	C54 22" Pneumatic Tyre Inner Tube	1
8	0036-40002	22" Rim Tape	1
9	0036-10013	24" solid tyre	1
10	0036-10014	22" solid tyre	1
11	1505298	24" anti-slip hand rim 4 fixations	1
12	1505920	22" anti-slip hand rim 4 fixations	1
13	1498422	24" x 1 3/8" spoked + solid tyre + anti-slip hand rim	1
14	1498433	22" x 1 3/8" spoked + solid tyre + anti-slip hand rim	1

Rear Composite wheel anti-slip hand rim



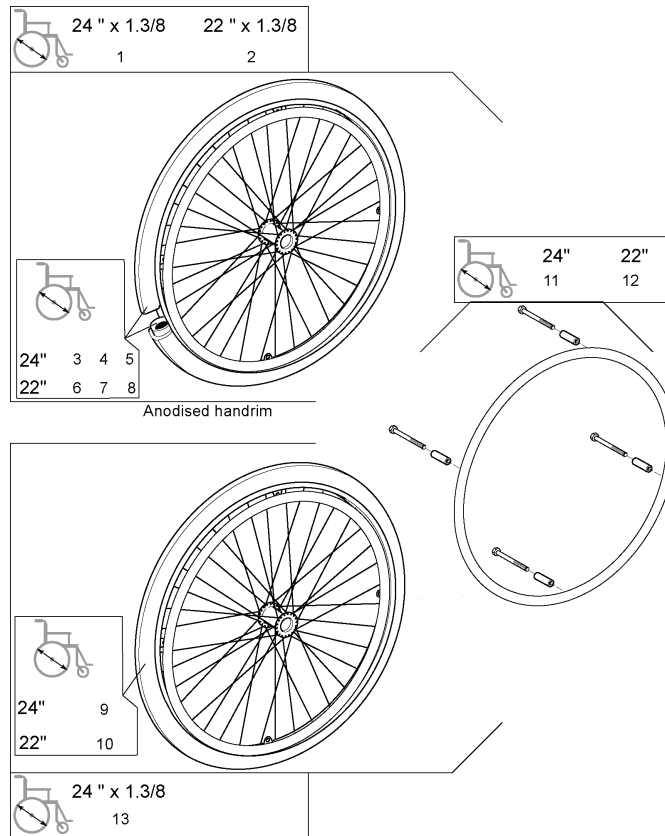
Pos.	Part number	Description	Qty
1	0572-05193	24" x 1 3/8" composite + pneumatic tyre + anti-slip hand rim	1
2	0036-30001	24" x 1 3/8" pneumatic	1
3	0036-20001	24" inner tube	1
4	0036-40003	24" rim tape	1
5	1431318	24" anti-slip hand rim 7 fixations	1
6	0572-05195	24" x 1 3/8" composite + solid tyre + anti-slip hand rim	1
7	0036-10013	24" solid tyre	1

Rear composite wheel, anodised hand rim



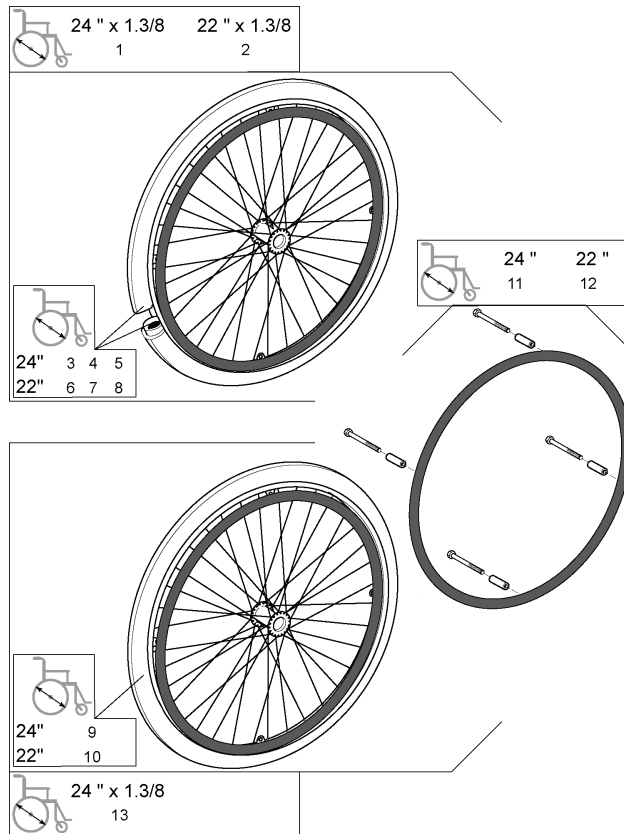
Pos.	Part number	Description	Qty
1	0572-05909	24" x 1 3/8" composite + pneumatic tyre + anodised hand rim	1
2	0036-30001	24" x 1 3/8" pneumatic	1
3	0036-20001	24" inner tube	1
4	0036-40003	24" rim tape	1
5	1431317	24" anodised hand rim 7 fixations	1
6	0036-10013	24" solid tyre	1
7	0572-05908	24" x 1 3/8" composite + solid tyre + anodised hand rim	1

Rear spoked wheel anodised handrim Heavy Duty



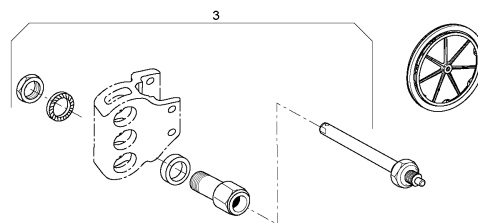
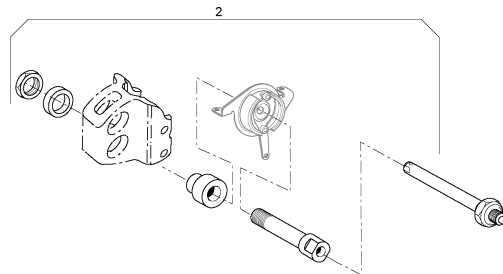
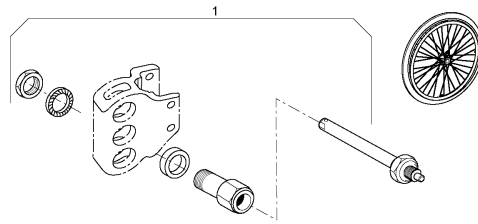
Pos.	Part number	Description	Qty
1	1498486	H D 24x 1" 3/8 spoked + pneumatic + anod. hand rim"	1
2	1498493	H D 22x 1" 3/8 spoked + pneumatic + anod. hand rim"	1
3	0036-30001	24" x 1 3/8" pneumatic	1
4	0036-20001	24" inner tube	1
5	0036-40003	24" rim tape	1
6	0036-30035	22" x 1 3/8" Pneumatic	1
7	0036-20007	C54 22" Pneumatic Tyre Inner Tube	1
8	0036-40002	22" Rim Tape	1
9	0036-10013	24" solid tyre	1
10	0036-10014	22" solid tyre	1
11	1505291	24" anodised hand rim 4 fixations	1
12	1505299	22" Anodised Handrim 4 Fixations	1
13	1498467	H D 24x 1" 3/8 spoked + solid tyre + anod. hand rim"	1

Rear spoked wheel anti slip handrim Heavy Duty



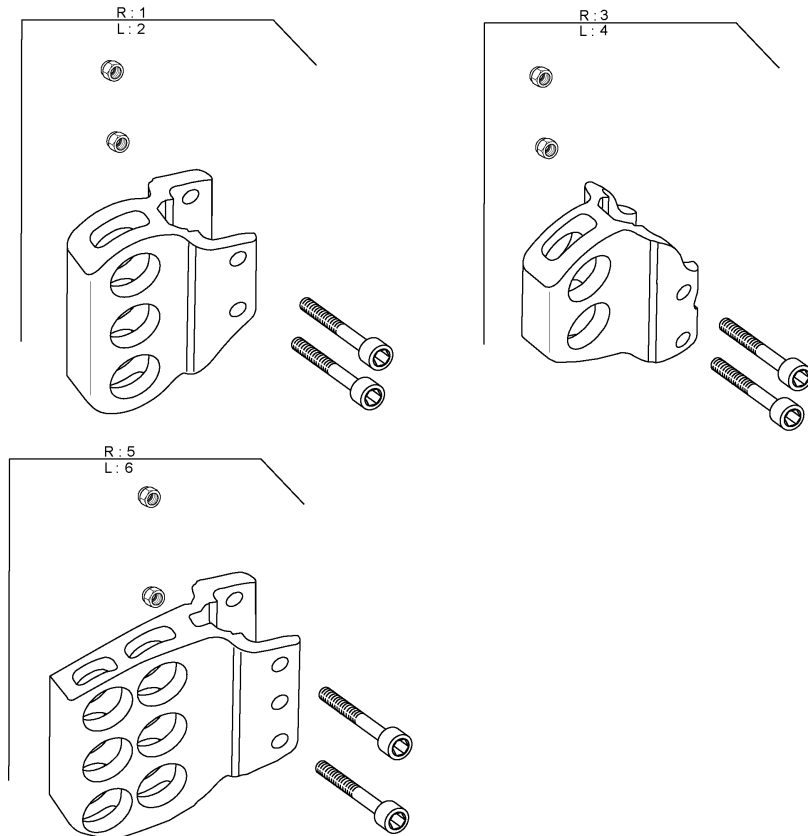
Pos.	Part number	Description	Qty
1	1498492	H D 24x 1" 3/8 spoked + pneumatic + anti-slip hand rim"	1
2	1498494	H D 22x 1" 3/8 spoked + pneumatic + anti-slip hand rim"	1
3	0036-30001	24" x 1 3/8" pneumatic	1
4	0036-20001	24" inner tube	1
5	0036-40003	24" rim tape	1
6	0036-30035	22" x 1 3/8" Pneumatic	1
7	0036-20007	C54 22" Pneumatic Tyre Inner Tube	1
8	0036-40002	22" Rim Tape	1
9	0036-10013	24" solid tyre	1
10	0036-10014	22" solid tyre	1
11	1505298	24" anti-slip hand rim 4 fixations	1
12	1505920	22" anti-slip hand rim 4 fixations	1
13	1498478	H D 24x 1" 3/8 spoked + solid tyre + anti-slip hand rim"	1

QR Rear wheel axles



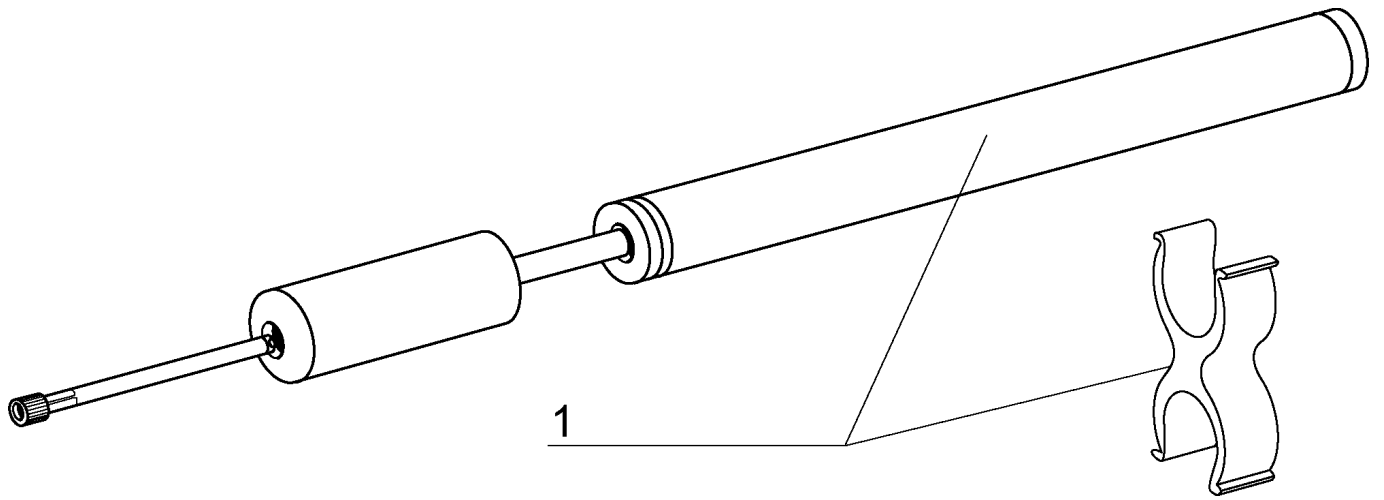
Pos.	Part number	Description	Qty
1	1431276	Quick Release Axle	1
2	1505288	A3/A4 Spoked wheel Quick Release Axle >03/2007	1
3	1450105	A4 Hub Brake Quick Release Axle	1
4	1506343	A4 Hub brake quick release axle >03/2007	1
5	1450107	A4 Composite Wheel Quick Release Axle	1

Invacare® Action4 | Rear Wheels
Rear Wheel Supports



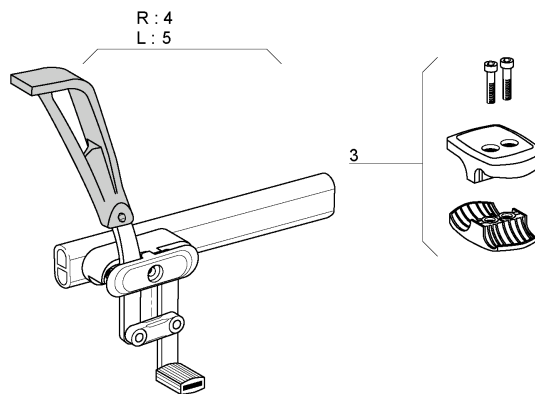
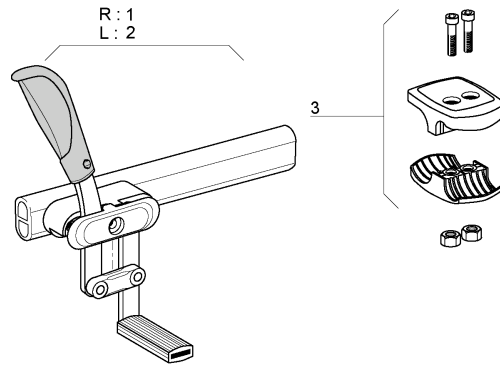
Pos.	Part number	Description	Qty
1	1451776	A4 Standard Rear Wheel Support Rh	1
2	1451762	A4 Standard Rear Wheel Support Lh	1
3	1451763	A4 Hub Brake Rear Wheel Support Rh	1
4	1451764	A4 Hub Brake Rear Wheel Support Lh	1
5	1514944	A4 Active / Amputee rear wheel support RH	1
6	1514945	A4 Active / Amputee rear wheel support LH	1

Pump



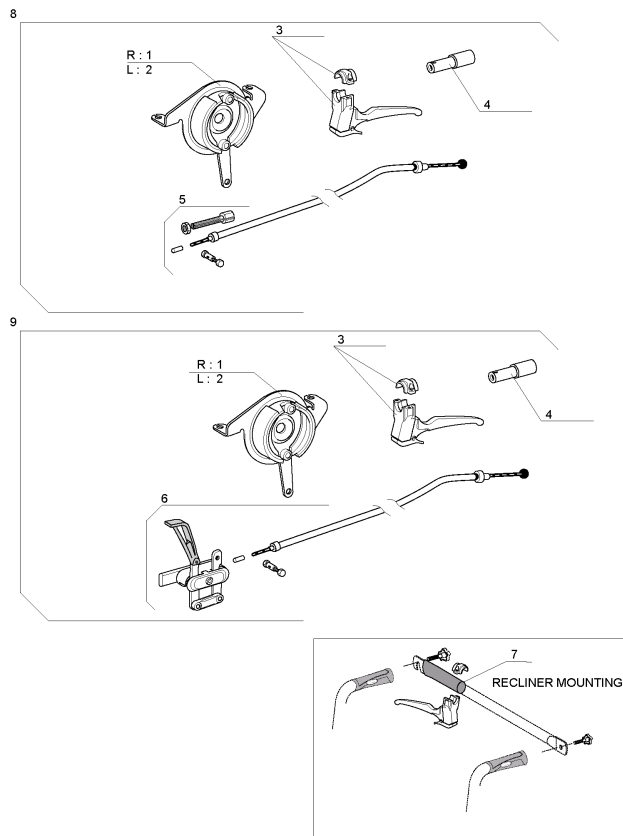
Pos.	Part number	Description	Qty
1	1484715	Pump And Support	1

Push Brakes : Standard And With Extension



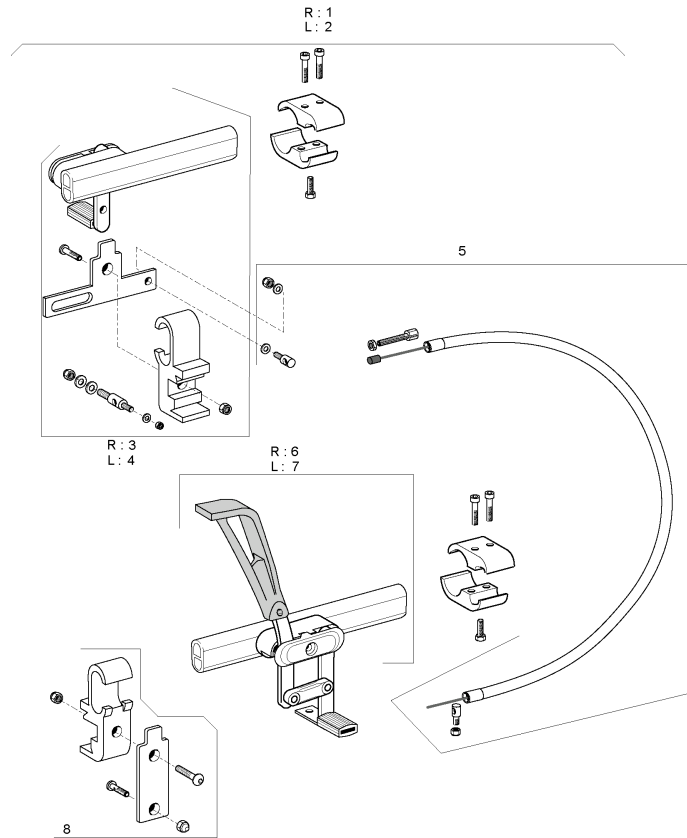
Pos.	Part number	Description	Qty
1	1425635	Rh Push to Lock Brake	1
2	1425634	Lh Push to Lock Brake	1
3	1423107	Complete Brake Composite Clamp	1
4	1425603	Rh Complet Brake With Lever Extension	1
5	1425602	Lh Complet Brake With Lever Extension	1

Hub Brakes



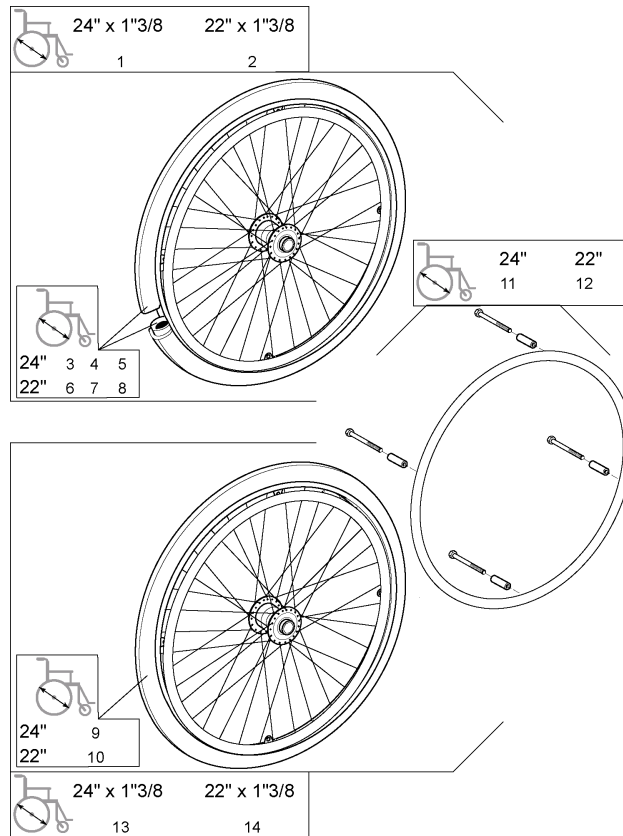
Pos.	Part number	Description	Qty
1	1423292	Rh Hub Brake Plate 70mm	1
2	1423293	Lh Hub Brake Plate 70mm	1
3	1420527	Black Brake Lever dia 22mm	1
4	1430412	Fixed backrest Cane Extention Kit	1
5	1431285	Attendant Hub Brakes Complete Mechanism (Pair)	1
6	5221363	Fixed Backrest Hub Brake Adaptation	1
7	1434626	Backbrace Handle	1
8	1430205	Dual hub brakes complete mechanism (pair)	1
9	1445674	Attendant Hub Brakes Complet Kit (Without Wheel & Axle)	1
10	1445675	Dual Hub Brakes Complet Kit (Without Wheel & Axle)	1

Oad Wire Control Brake



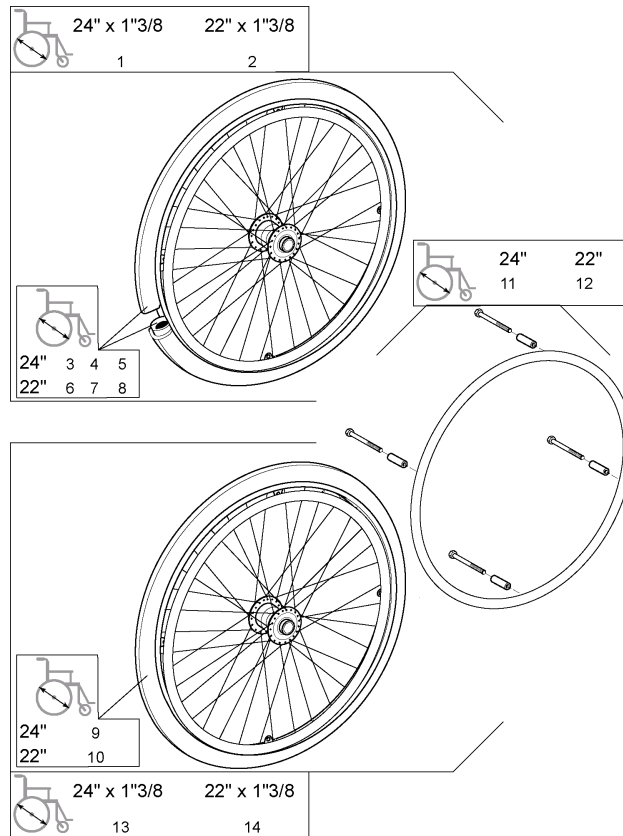
Pos.	Part number	Description	Qty
1	1430202	Rh Oad Brake Wire Controled	1
2	1430203	Lh Oad Brake Wire Controled	1
3	1433462	Rh Wire Control Brake Complete + Clamp; Lh Control	1
4	1433461	Lh Wire Control Brake Complete + Clamp; Rh Control	1
5	1433464	Compleat Cable Wire Control Brake	1
6	1430254	Rh Hemi Brake Action3	1
7	1430253	Lh Hemi Brake Action3	1
8	1433463	Wire Control Brake Clamp Kit	1

Rear Spoked Wheel Hub Brake QR axles <06/2007



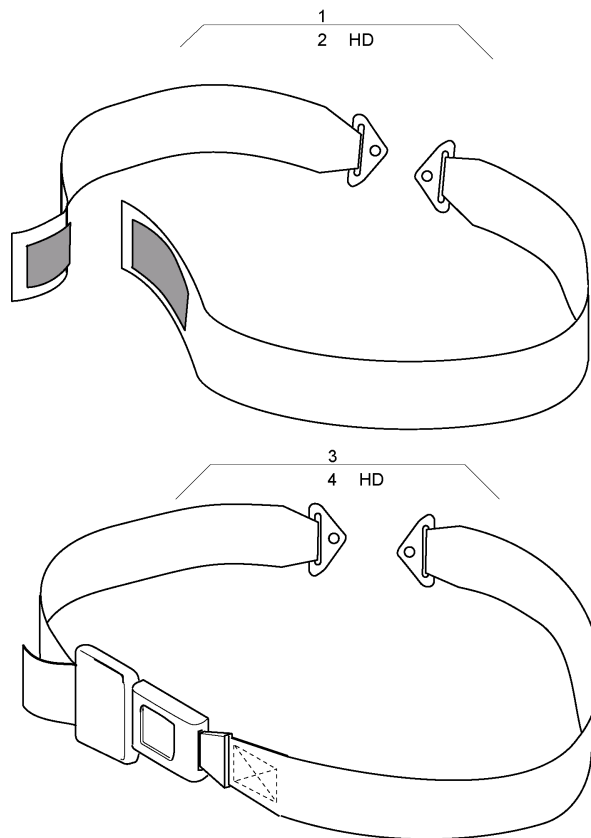
Pos.	Part number	Description	Qty
1	1507090	Pair of 24" hub brake spoked + pneumatic + anodised hand rim "	1
2	1507190	Pair of 22" hub brake spoked + pneumatic + anod. hand rim	1
3	0036-30001	24" x 1 3/8" pneumatic	1
4	0036-30035	22" x 1 3/8" Pneumatic	1
5	0036-40003	24" rim tape	1
6	0036-40002	22" Rim Tape	1
7	0036-20001	24" inner tube	1
8	0036-20007	C54 22" Pneumatic Tyre Inner Tube	1
9	1431314	24" anodised hand rim 4 fixations	1
10	1431320	22" Anodised Handrim 4 Fixations	1
11	0036-10013	24" solid tyre	1
12	0036-10014	22" solid tyre	1
13	1507180	Pair of 24" hub brake spoked + solid tyre + anod. hand rim	1
14	1507191	Pair of 22" hub brake spoked + solid tyre + anod. hand rim"	1

Rear spoked wheel hub brake anodised hand rim >06/2007



Pos.	Part number	Description	Qty
1	1498428	24" hub brake spoked + pneumatic tyre + anodised hand rim	1
2	1498466	22" Hub Brake Spoked + Pneumatic Tyre + Anodised Handrim	1
3	0036-30001	24" x 1 3/8" pneumatic	1
4	0036-30035	22" x 1 3/8" Pneumatic	1
5	0036-40003	24" rim tape	1
6	0036-40002	22" Rim Tape	1
7	0036-20001	24" inner tube	1
8	0036-20007	C54 22" Pneumatic Tyre Inner Tube	1
9	0036-10013	24" solid tyre	1
10	0036-10014	22" solid tyre	1
11	1505291	24" anodised hand rim 4 fixations	1
12	1505299	22" Anodised Handrim 4 Fixations	1
13	1498427	24" hub brake spoked + solid tyre + anodised hand rim	1
14	1498461	22" Hub Brake Spoked + Solid tyre + Anodised Handrim	1

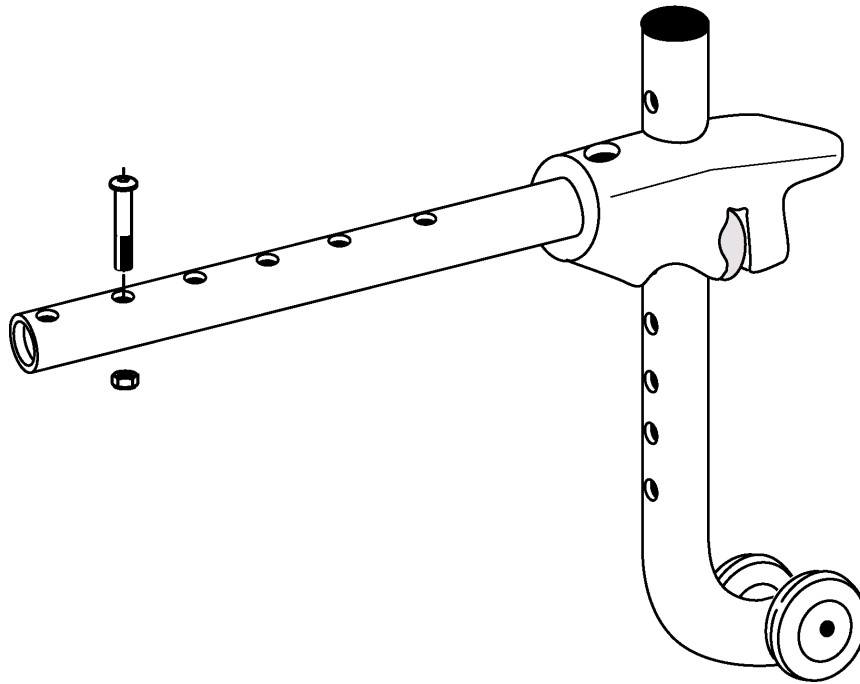
Belts



Pos.	Part number	Description	Qty
1	0572-02049	Velcro safety belt	1
2	1492756	Velcro Safety Belt Hd	1
3	0572-05389	Buckle safety belt	1
4	1492755	Buckle Safety Belt Hd	1

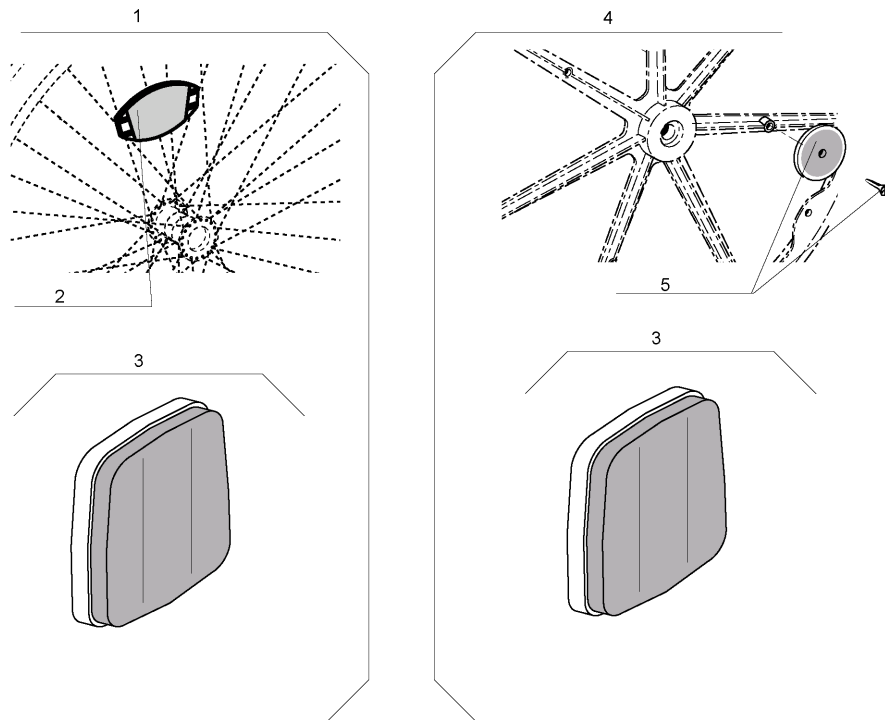
Rear Anti Tipper

1



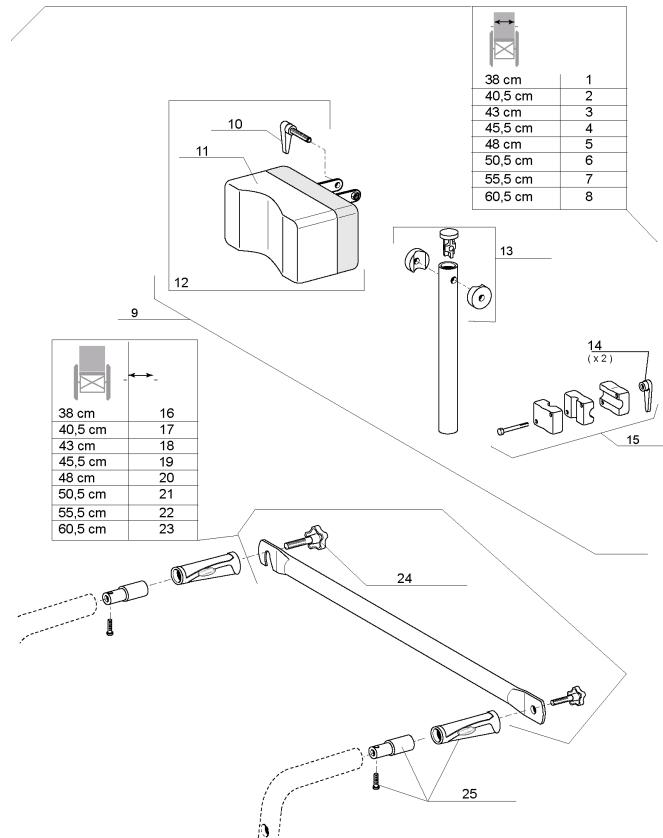
Pos.	Part number	Description	Qty
1	1484890	Anti Tip Device Complet A3/A4	1

Reflectors



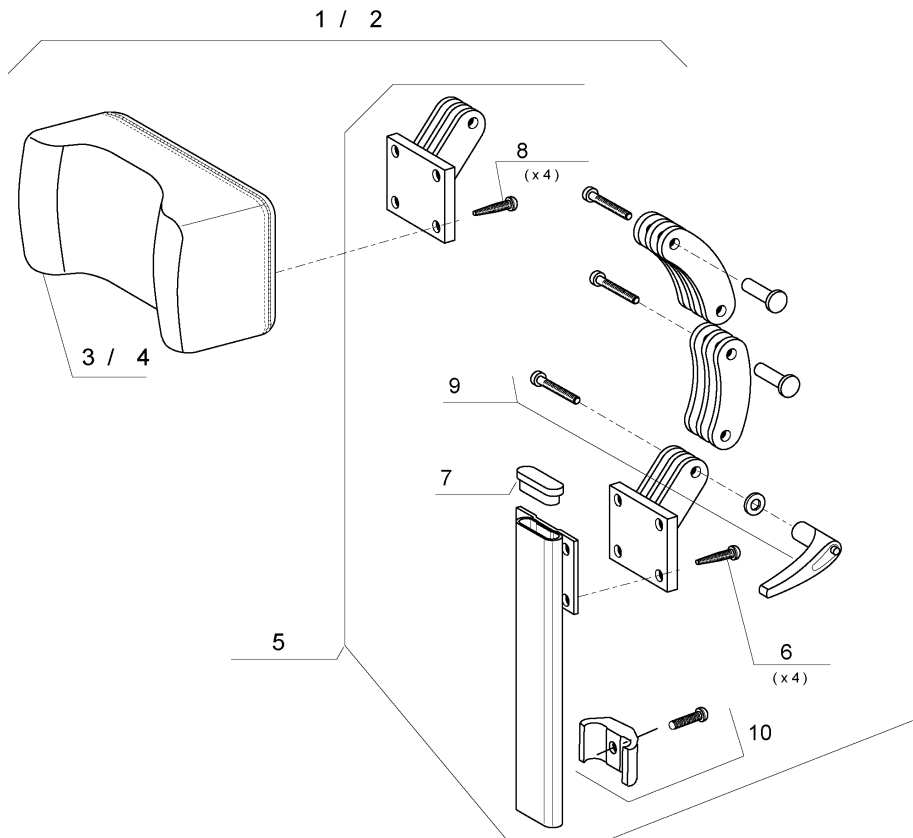
Pos.	Part number	Description	Qty
1	1450571	A4 Spoked Wheel & Frame Reflectors Kit	1
2	N90003	Spoked wheel Reflector kit	1
3	1450569	A4 Frame Reflectors Kit	1
4	1450570	A4 Composite Wheel & Frame Reflectors Kit	1
5	9037-30001	Plastic wheel reflector kit	1

Standard Headsrest



Pos.	Part number	Description	Qty
1	1433028	Headrest + Backbrace + Fixation Set W 38Cm	1
2	1433029	Headrest + Backbrace + Fixation Set W 40,5Cm	1
3	1433030	Headrest + Backbrace + Fixation Set W 43Cm	1
4	1433031	Headrest + Backbrace + Fixation Set W 45,5Cm	1
5	1433032	Headrest + Backbrace + Fixation Set W 48Cm	1
6	1433033	Headrest + Backbrace + Fixation Set W 50,5Cm	1
7	1496214	Headrest + Backbrace + Fixation Set 55.5Cm	1
8	1496215	Headrest + Backbrace + Fixation Set 60.5Cm	1
9	1433702	Comfort Headrest + Support Tube	1
10	1428595	Indexable Lever; M6X40	1
11	1420507	Headrest pad comfort vinyle	1
12	1432623	Headrest Cushion + Fixation	1
13	1432622	Headrest Tube Kit	1
14	1428547	Indexable Lever; Female M6	1
15	1432617	Headrest Support Kit	1
16	1434099	Back Brace Kit Assy W 38Cm	1
17	1434100	Back Brace Kit Assy W 40,5Cm	1
18	1433707	Back Brace Kit Assy W 43Cm	1
19	1433708	Back Brace Kit Assy W 45,5Cm	1
20	1433716	Back Brace Kit Assy W 48Cm	1
21	1434105	Back Brace Kit Assy W 50,5Cm	1
22	1483910	Back Brace Kit Assy W 55,5Cm	1
23	1483911	Back Brace Kit Assy W 60,5Cm	1
24	0021-60029	32 mm M6 x 16 Button	1
25	1430412	Fixed backrest Cane Extention Kit	1

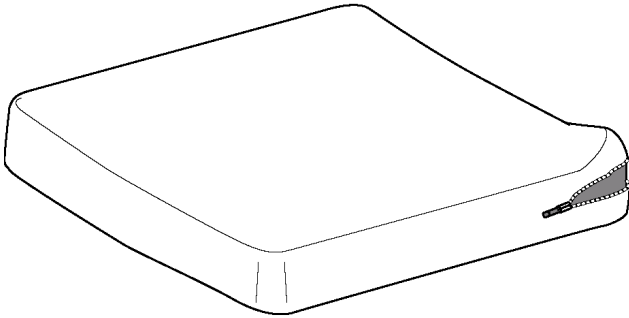
Comfort Headrest



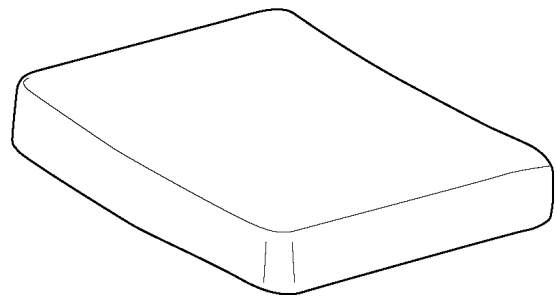
Pos.	Part number	Description	Qty
1	1440900	Headrest comfort dartex	1
2	1514954	Headrest comfort vinyle	1
3	1440903	Headrest Pad Comfort Dartex	1
4	1420507	Headrest pad comfort vinyle	1
5	1415942	Articulation headrest kit	1
6	1421921	Zinc st M5 x 8 TBCL screw	1
7	5716497	Headrest Tube Cap	1
8	0029-40032	6.8 Zinc CHC M5 x 20 Screw	1
9	1440954	Articulation headrest fixing kit	1
10	1448661	Stop neck Headrest complet	1

Cushions

	40 cm	45 cm
38 cm	1	4
40,5 cm	1	4
43 cm	2	5
45,5 cm	2	5
48 cm	3	6
50,5 cm	3	6

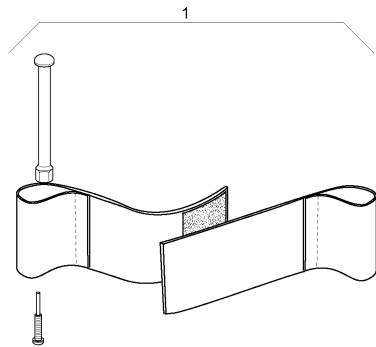


	40 cm	45 cm
38 cm	7 - 10	7 - 10
40,5 cm	7 - 10	7 - 10
43 cm	8 - 11	8 - 11
45,5 cm	9 - 12	9 - 12

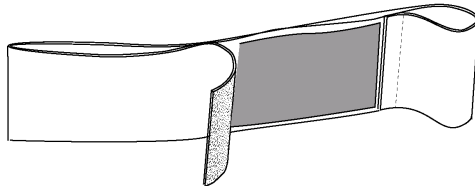


Pos.	Part number	Description	Qty
1	0572-05013	Cushion width 38 cm depth 41 cm	1
2	0572-05017	Cushion width 44 cm depth 41 cm	1
3	1418615	Standard Foam Cushion W 48Cm X D 41Cm	1
4	0572-05014	Standard Foam Cushion W 38Cm X D 44Cm	1
5	0572-05018	Standard Foam Cushion W 43Cm X D 44Cm	1
6	1418616	Standard Foam Cushion W 48Cm X D 44Cm	1
7	C333T40	Gel Cushions W 40,5 Cm X D 42 Cm - Only For France	1
8	C333T43	Gel Cushions W 43 Cm X D 42 Cm - Only For France	1
9	C333T45	Gel Cushions W 45 Cm X D 42 Cm - Only For France	1
10	C333T40-l	Gel Cushions W 40,5 Cm X D 42 Cm - Not Available In France	1
11	C333T43-l	Gel Cushions W 43 Cm X D 42 Cm - Not Available In France	1
12	C333T45-l	Gel Cushions W 45 Cm X D 42 Cm - Not Available In France	1

Heel Strap, Calf Strap

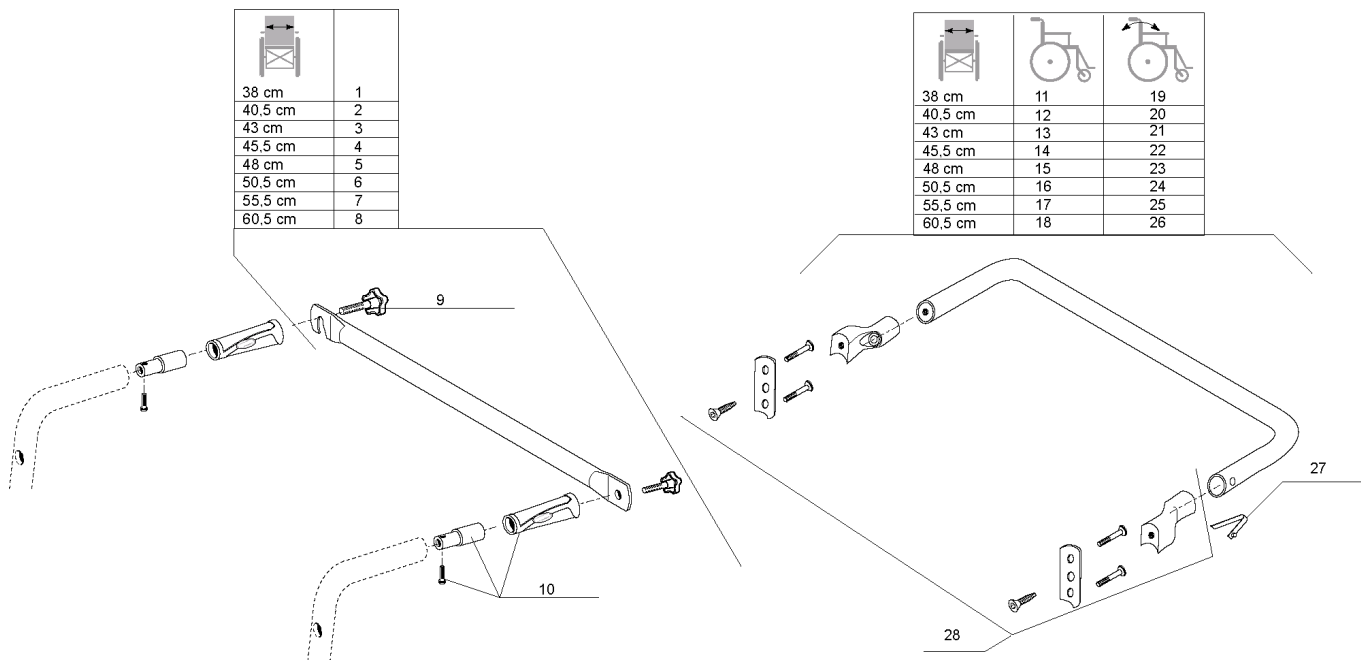


Width	Quantity
38 cm	2
40,5 cm	2
43 cm	2
45,5 cm	2
48 cm	2
50,5 cm	3
55,5 cm	3
60,5 cm	3



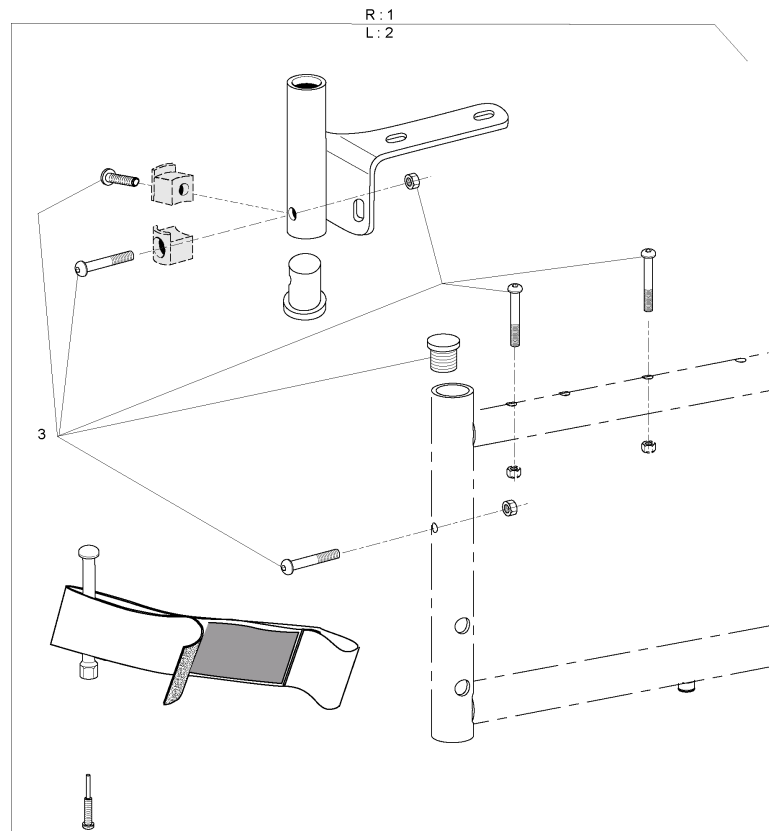
Pos.	Part number	Description	Qty
1	1492315	Adjustable Heel Strap (New Design) (when serial number start by 05)	1
2	1433580	Adjustable Calf Strap w 38cm 48 cm	1
3	1497574	CALF STRAP KIT W 50,5 CM/55,5CM/60,5CM	1

Back Brace

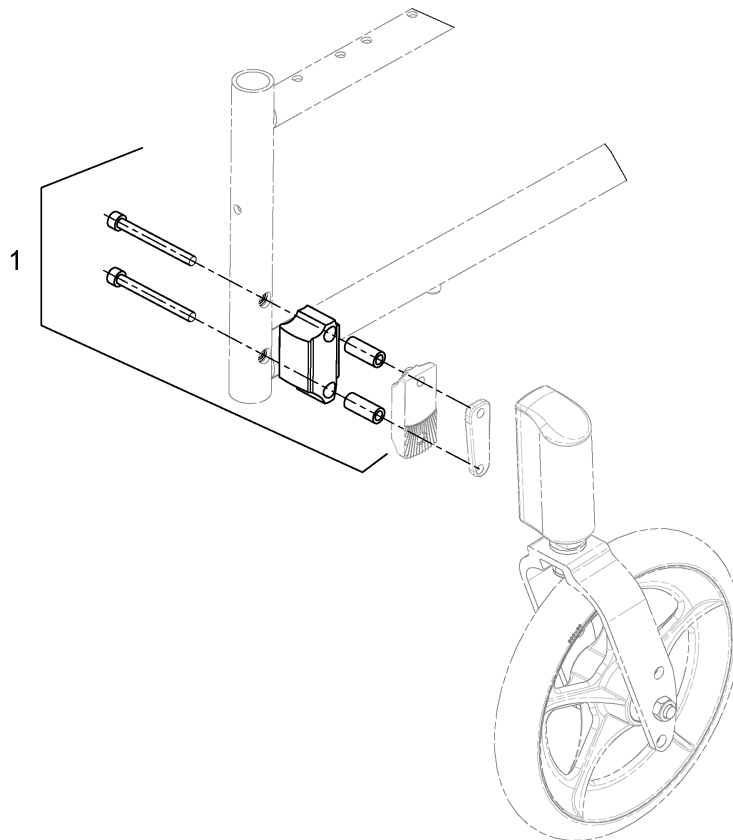


Pos.	Part number	Description	Qty
1	1434099	Back Brace Kit Assy W 38Cm	1
2	1434100	Back Brace Kit Assy W 40,5Cm	1
3	1433707	Back Brace Kit Assy W 43Cm	1
4	1433708	Back Brace Kit Assy W 45,5Cm	1
5	1433716	Back Brace Kit Assy W 48Cm	1
6	1434105	Back Brace Kit Assy W 50,5Cm	1
7	1483910	Back Brace Kit Assy W 55,5Cm	1
8	1483911	Back Brace Kit Assy W 60,5Cm	1
9	0021-60029	32 mm M6 x 16 Button	1
10	1430412	Fixed backrest Cane Extention Kit	1
11	1450575	Fixed Backrest Back Brace Kit Assy W 38Cm	1
12	1450576	Fixed Backrest Back Brace Kit Assy W 40,5Cm	1
13	1450577	Fixed Backrest Back Brace Kit Assy W 43Cm	1
14	1450578	Fixed Backrest Back Brace Kit Assy W 45,5Cm	1
15	1450562	Fixed Backrest Back Brace Kit Assy W 48Cm	1
16	1450451	Fixed Backrest Back Brace Kit Assy W 50,5Cm	1
17	1451482	Fixed Backrest Back Brace Kit Assy W 55,5Cm	1
18	1451483	Fixed Backrest Back Brace Kit Assy W 60,5Cm	1
19	1449033	Recliner Backrest Back Brace Kit Assy W 38Cm	1
20	1449034	Recliner Backrest Back Brace Kit Assy W 40,5Cm	1
21	1449035	Recliner Backrest Back Brace Kit Assy W 43Cm	1
22	1451225	Recliner Backrest Back Brace Kit Assy W 45,5Cm	1
23	1451226	Recliner Backrest Back Brace Kit Assy W 48Cm	1
24	1451227	Recliner Backrest Back Brace Kit Assy W 50,5Cm	1
25	1488627	Recliner Backrest Back Brace Kit Assy W 55,5Cm	1
26	1488628	Recliner Backrest Back Brace Kit Assy W 60,5Cm	1
27	5721060	Back Brace Push Pin	1
28	1493360	Rea Backbrace Fixation Kit	1

Hanger Adaptator

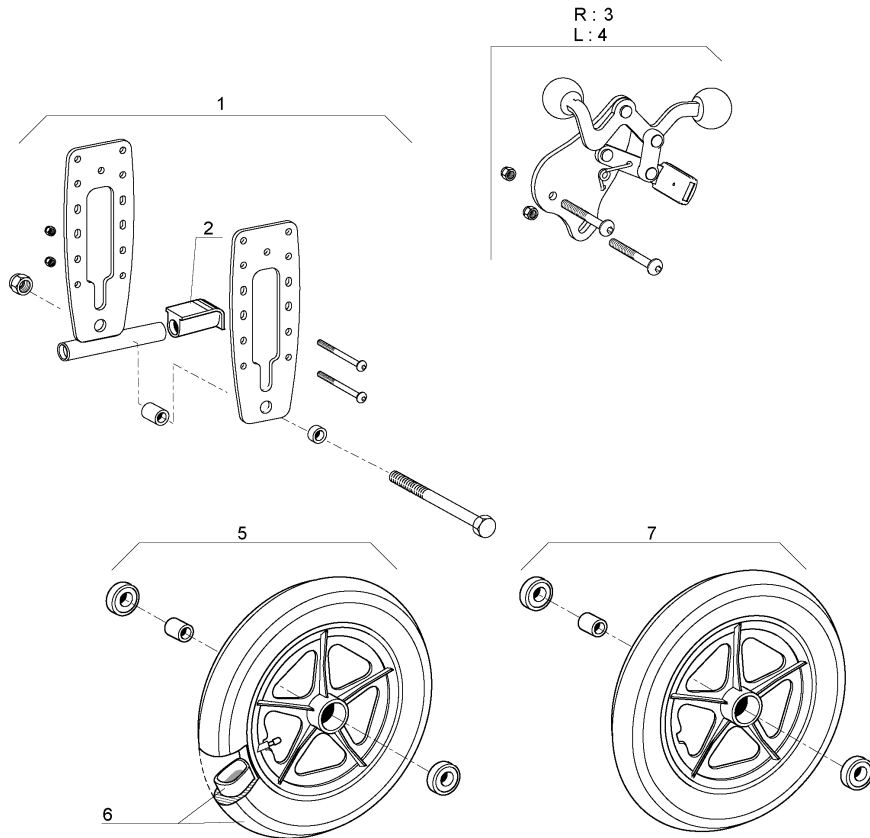


Pos.	Part number	Description	Qty
1	1442992	Rh Hanger Adaptator	1
2	1442993	Lh Hanger Adaptator	1
3	1443022	Mounting Kit Hanger Adaptator	1



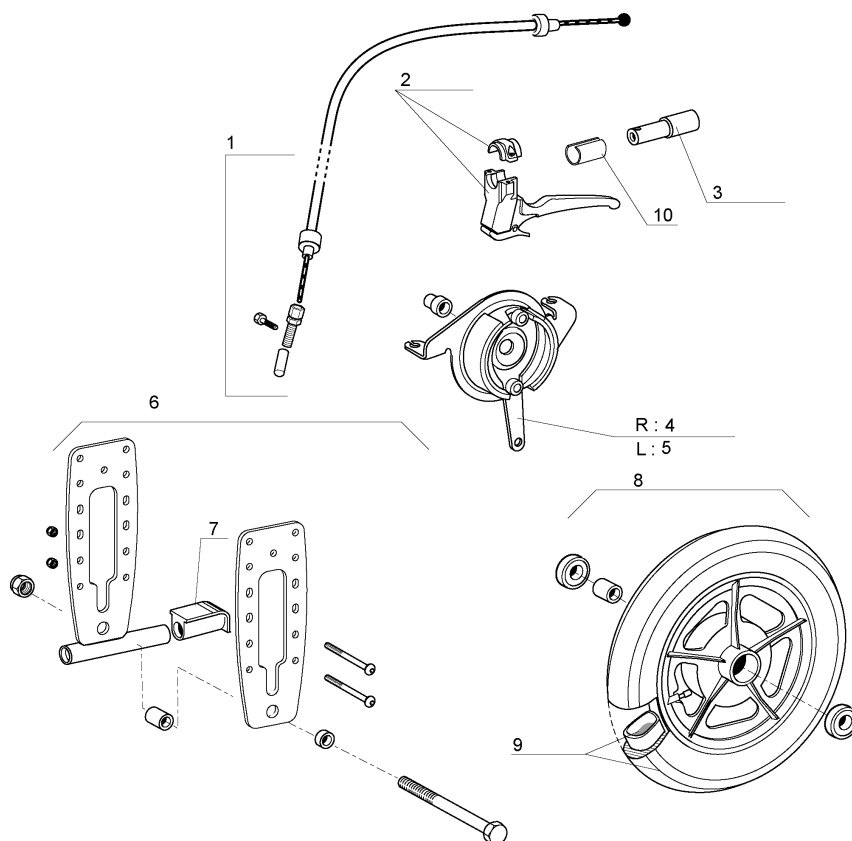
Pos.	Part number	Description	Qty
1	1497767	Front wheel extension kit	1

Transit Rear Wheel, Push Brake



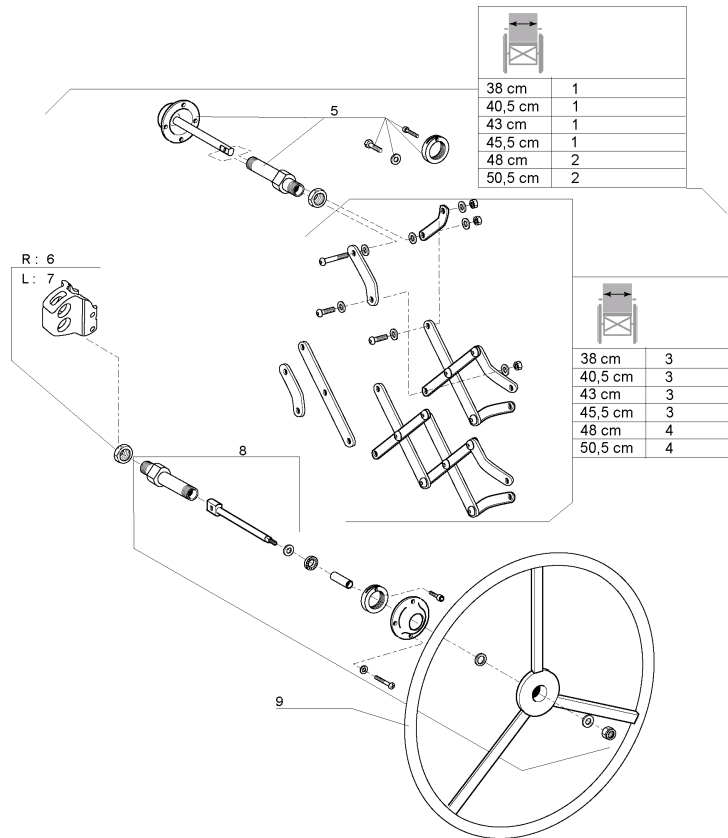
Pos.	Part number	Description	Qty
1	1451675	A4 Standard Transit Rear Support	1
2	0021-20011	Black Foot Support Cap	1
3	1451677	A4 Rh Transit Push Brake	1
4	1451678	A4 Lh Transit Push Brake	1
5	6001789	Transit Complete Pneumatic Tyre 12.1/2" wheel	1
6	1431313	12" transit Pneumatic Tyre + Inner tube	1
7	6001790	Transit Complete Solid Tyre 12.1/2" Wheel	1

Transit Rear Wheel, Hub Brake



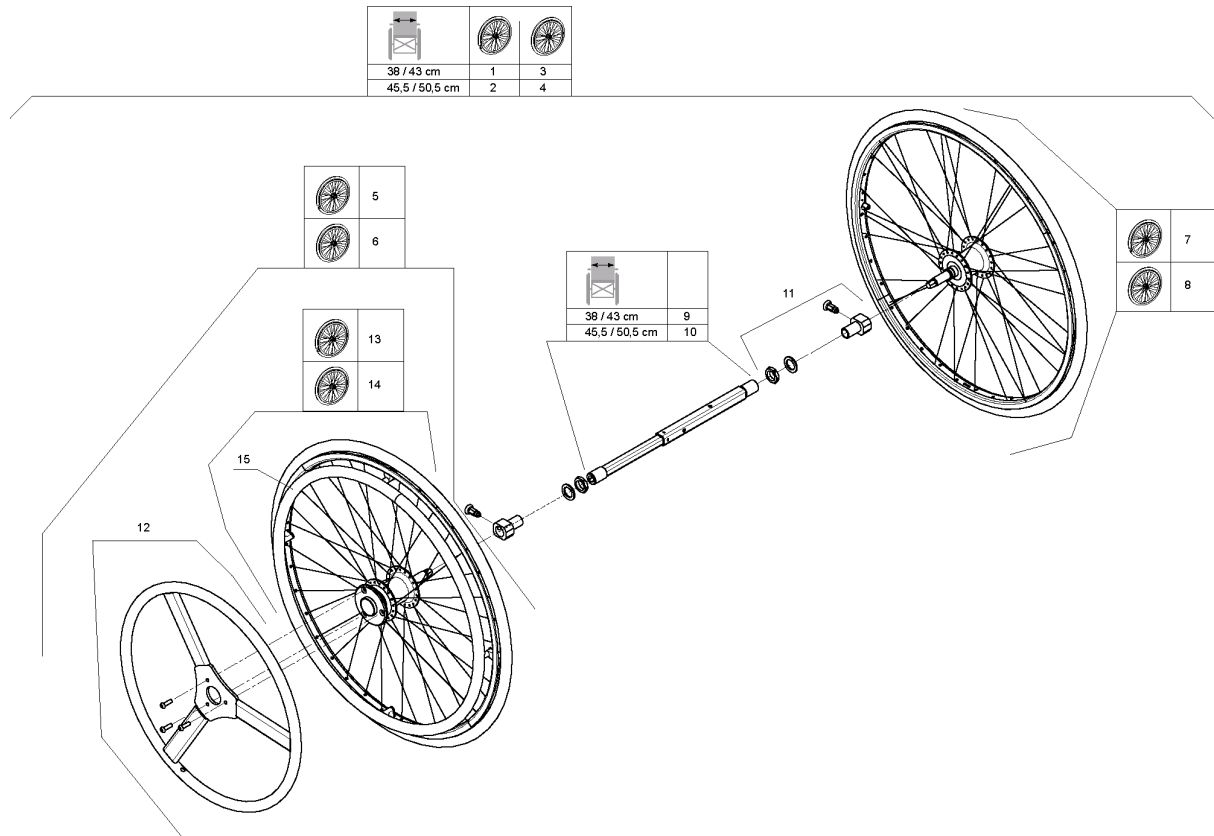
Pos.	Part number	Description	Qty
1	1431285	Attendant Hub Brakes Complete Mechanism (Pair)	1
2	1420527	Black Brake Lever dia 22mm	1
3	1430412	Fixed backrest Cane Extention Kit	1
4	1423292	Rh Hub Brake Plate 70mm	1
5	1423293	Lh Hub Brake Plate 70mm	1
6	1451676	A4 Hub Brake Transit Rear Axle	1
7	0021-20011	Black Foot Support Cap	1
8	0572-03002	Complete 70 Hub Brake Composite 12.1/2" Wheel	1
9	1431313	12" transit Pneumatic Tyre + Inner tube	1
10	5221363	Fixed Backrest Hub Brake Adaptation	1

Invacare® Action4 | Propulsion Options
Dual Handrim, Fixed Axle



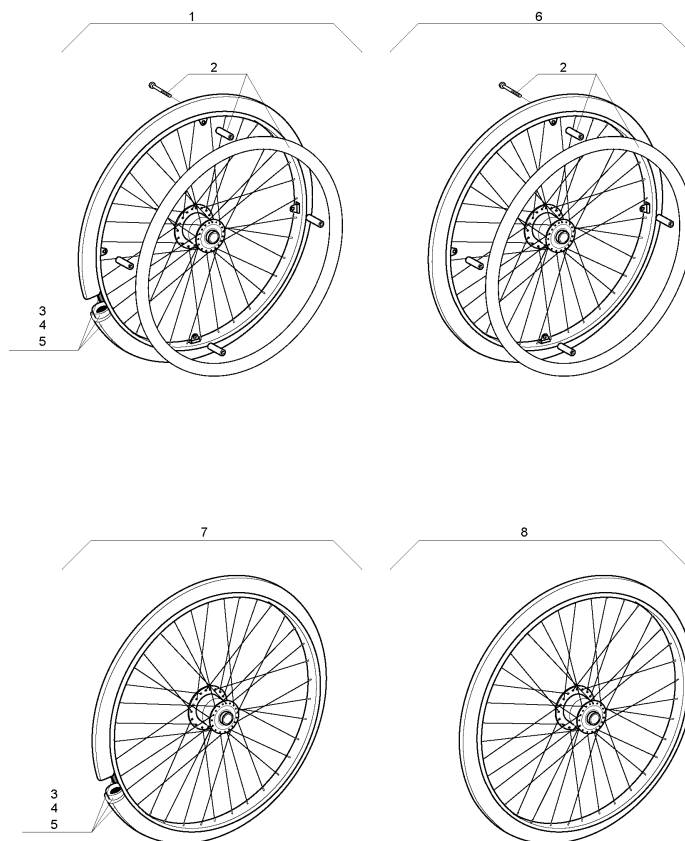
Pos.	Part number	Description	Qty
1	1496144	Dual Handrim Fixed Axle Assy W 38/40,5/43/ 45,5Cm A4	1
2	1496145	Dual Handrim Fixed Axle Assy W 48/ 50,5Cm A4	1
3	1432526	Short Pantograph W 38/40,5/43/ 45,5Cm	1
4	1432527	Long Pantograph W 48/ 50,5Cm	1
5	1432621	Dual Handrim Complete Axle Without Handrim Side	1
6	1496993	Dual Handrim Fixed Wheel Support Fixation Kit Rh	1
7	1496994	A4 Dual Handrim Fixed Wheel Support Fixation Kit Lh	1
8	1432620	Dual Handrim Complete Axle Handrim Side	1
9	0410K05234	External hand rim for double control hand rim	1

Dual handrim QR axle > 10/2007



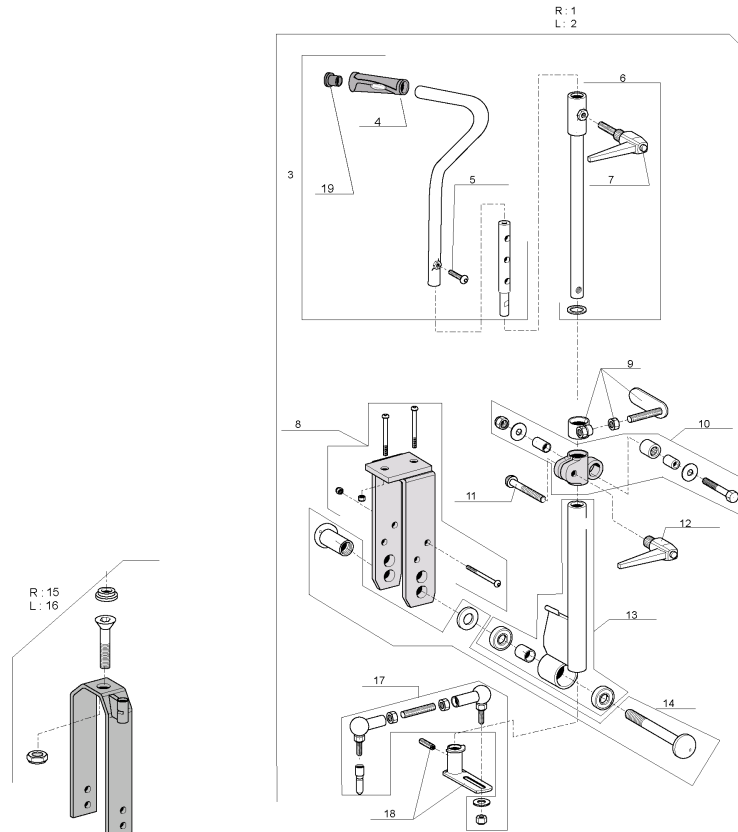
Pos.	Part number	Description	Qty
1	1513269	Dual handrim DHR pneumatic kit assy 38,5/43,5 cm	1
2	1513270	Dual handrim DHR pneumatic kit assy 45,5/50,5 cm	1
3	1513271	Dual handrim DHR solid kit assy 38,5/43,5 cm	1
4	1513272	Dual handrim DHR solid kit assy 45,5/50,5 cm	1
5	1509382	24" DHR active wheel pneumatic	1
6	1509436	24" DHR active wheel solid	1
7	1508491	24" DHR passive wheel pneumatic	1
8	1508490	24" DHR passive wheel solid	1
9	1511769	Telescopic rod DHR 38/43,5 cm	1
10	1508487	Telescopic rod DHR 45,5/50,5 cm	1
11	1513658	DHR wheel axle support complet	1
12	1508484	Small handrim + fixations	1
13	1508485	24" DHR active wheel pneumatic w/o small handrim	1
14	1508486	24" DHR active wheel solid w/o small handrim	1
15	1514223	24" Aluminium handrim + 6 fixations	1

Dual hand rim, fixed axle wheels



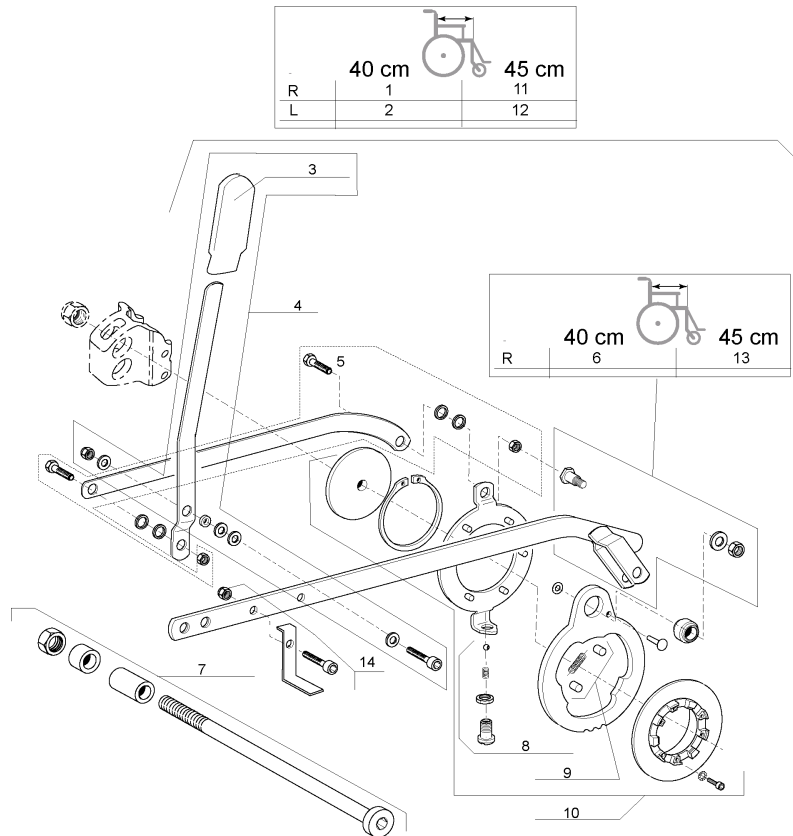
Pos.	Part number	Description	Qty
1	0572-06842	24" hemi hub spoked wheel + pneumatic tyre	1
2	1431316	24" chromed hand rim 4 fixations	1
3	0036-30001	24" x 1 3/8" pneumatic	1
4	0036-20001	24" inner tube	1
5	0036-40003	24" rim tape	1
6	0572-06843	24" hemi hub spoked wheel + solid tyre	1
7	0572-06914	24" hemi hub spoked wheel + pneumatic tyre w/hand rim	1
8	0572-06915	24" hemi hub spoked wheel + solid tyre w/hand rim	1

Hand Control For Oad By Lever

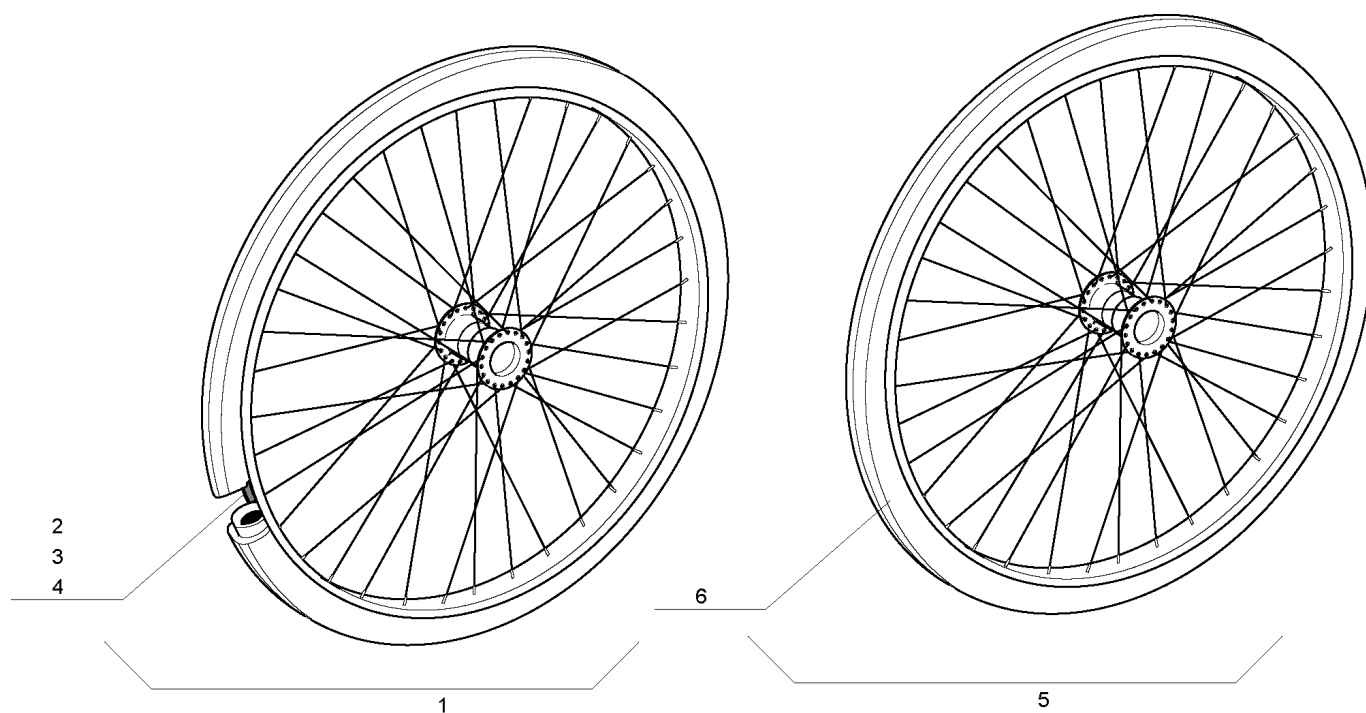


Pos.	Part number	Description	Qty
1	1496180	Oad By Lever Hand Control Rh Completed Kit A4	1
2	1496181	Oad By Lever Hand Control Lh Completed Kit A4	1
3	1432624	Oad by lever hand control assy	1
4	1425473	Invacare Push Handle	1
5	0029-40049	Cbhc screw m8x30; 8.8	1
6	1432625	Oad by lever hand lever shaft	1
7	0021-70002	Indexable lever 63 m8 x 16	1
8	1433003	Equalizer Support + Fixation	1
9	1432627	Oad by lever brake shoe assy	1
10	1432998	Oad by lever adjustable sleeve assy	1
11	0029-40252	Clamp screw m8 x 1 1/4"	1
12	0021-70011	Indexable lever 63 m8	1
13	1432999	Oad By Lever Equalizer	1
14	1433000	Equalizer Completed Axle	1
15	1444995	Oad By Lever Fork And Axle Kit Rh >01/2005	1
16	1444996	Oad By Lever Fork And Axle Kit Lh	1
17	1496169	Oad By Lever Ball Joint Kit A4	1
18	1433002	Oad by lever steering bush + fixation	1
19	1418112	Crossbrace back cap	1

Oad By Lever

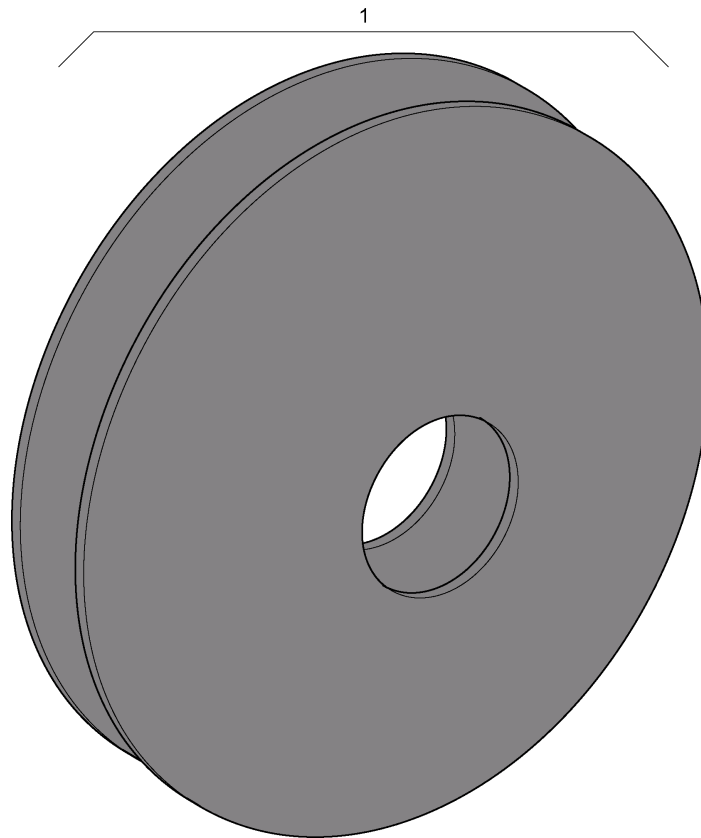


Pos.	Part number	Description	Qty
1	1432932	Oad by lever rh transmission kit depth 40 cm	1
2	1432933	Oad by lever lh transmission kit depth 40 cm	1
3	0240-05576	End cap lever oad by lever	1
4	1432930	Oad by lever reverse link + fixation	1
5	1433010	Inversion link + fixation	1
6	1433006	Transmission link + fixation d 40cm	1
7	1496987	Oad By Lever Rear Wheel Axle Kit A4	1
8	9742-84304	Hollow screw + ball + spring	1
9	9028-40005	Oad by lever spring + cam	1
10	1433009	Driving cam completed	1
11	1435910	Oad By Lever Rh Transmission Kit D45Cm	1
12	1435911	Oad By Lever Lh Transmission Kit D 45Cm	1
13	1435912	Transmission Link + Fixation D 45Cm	1
14	1442034	Oad By Lever Brake Kit D 45 Cm	1



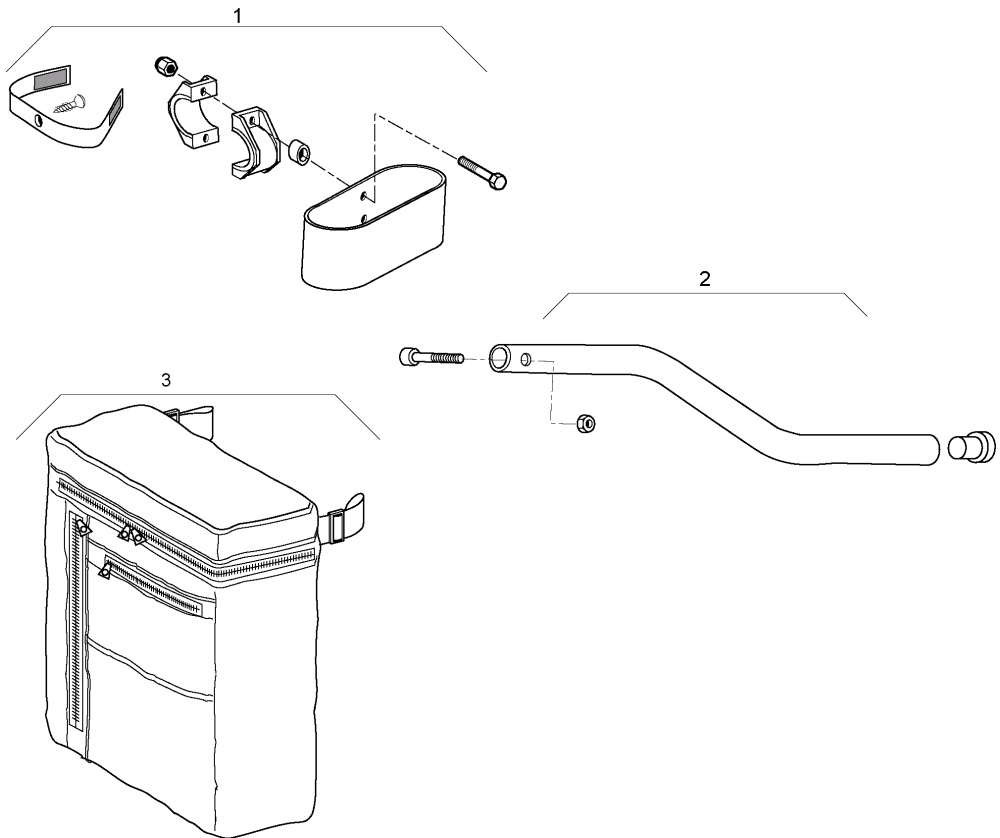
Pos.	Part number	Description	Qty
1	1509380	24" x 1 3/8" oad spoked wheel + pneumatic tyre	1
2	0036-30001	24" x 1 3/8" pneumatic	1
3	0036-20001	24" inner tube	1
4	0036-40003	24" rim tape	1
5	1509381	24" x 1 3/8" oad spoked wheel + solid tyre	1
6	0036-10013	24" solid tyre	1

Spoke Guard



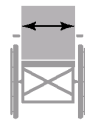
Pos.	Part number	Description	Qty
1	0789-04400	Spoke Guards	1

Cane Holder - Tipping Tube - Back Bag

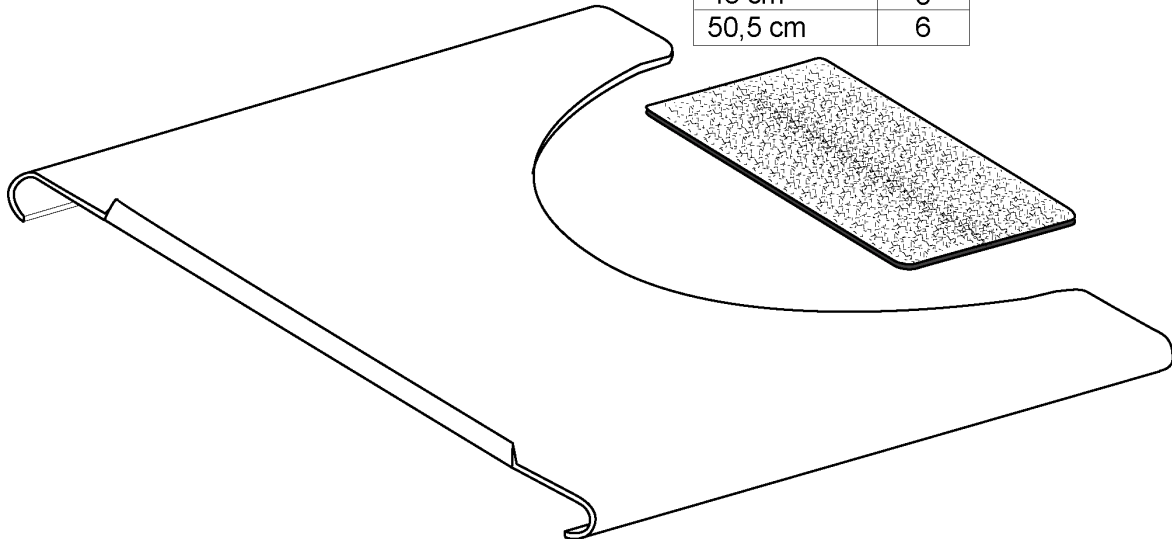


Pos.	Part number	Description	Qty
1	0572-02056	Cane holder	1
2	0572-05143	Tipping Tube	1
3	0572-04272	Back Bag	1

Transparent Tray



38 cm	1
40,5 cm	2
43 cm	3
45,5 cm	4
48 cm	5
50,5 cm	6



Pos.	Part number	Description	Qty
1	1450921	Transparent Tray W 38Cm	1
2	1450922	Transparent Tray W 40,5Cm	1
3	1450923	Transparent Tray W 43Cm	1
4	1450924	Transparent Tray W 45,5Cm	1
5	1450925	Transparent Tray W 48Cm	1
6	1450926	Transparent Tray W 50,5Cm	1



Yes, you can.®



Belgium & Luxemburg:

Invacare nv, Autobaan 22, B-8210 Loppem - Tel: (32) (0)50 83 10 10, Fax: (32) (0)50 83 10 11
belgium@invacare.com

Danmark:

Invacare A/S, Sdr. Ringvej 39, DK-2605 Brøndby - Tel: (45) (0)36 90 00 00, Fax: (45) (0)36 90 00 01
denmark@invacare.com

Deutschland & Eastern Europe:

Invacare Aquatec, Alemannenstraße 10, D-88316 Isny - Tel: (49) (0)75 62 7 00 0, Fax: (49) (0)75 62 7 00 66
info@invacare-aquatec.de

España:

Invacare SA, c/Areny s/n, Polígon Industrial de Celrà, E-17460 Celrà (Girona) - Tel: (34) (0)972 49 32 00, Fax: (34) (0)972 49 32 20
contactsp@invacare.com

France:

Invacare Poirier SAS, Route de St Roch, F-37230 Fondettes - Tel: (33) (0)2 47 62 64 66, Fax: (33) (0)2 47 42 12 24
contactfr@invacare.com

Ireland:

Invacare Ireland Ltd, Unit 5 Seatown Business Campus, Seatown Road, Swords, County Dublin - Ireland
Tel : (353) 1 810 7084, fax: (353) 1 810 7085
eire@invacare.com

Italia:

Invacare Mecc San s.r.l., Via dei Pini 62, I-36016 Thiene (VI) - Tel: (39) 0445 38 00 59, Fax: (39) 0445 38 00 34
italia@invacare.com

Nederland:

Invacare BV, Celsiusstraat 46, NL-6716 BZ Ede - Tel: (31) (0)318 695 757, Fax: (31) (0)318 695 758
mobility@invacare.com, care@invacare.com

Norge:

Invacare AS, Grensesvingen 9, Postboks 6230, Etterstad, N-0603 Oslo - Tel: (47) (0)22 57 95 00, Fax: (47) (0)22 57 95 01
norway@invacare.com, island@invacare.com

Österreich:

Mobitec Mobilitätshilfen GmbH, Herzog Odilostrasse 101, A-5310 Mondsee - Tel.: (43) 6232 5535 0, Fax.: (43) 6232 5535 4
office@mobitec-austria.com, austria@invacare.com

Portugal:

Invacare Lda, Rua Senhora de Campanhã 105, P-4369-001 Porto - Tel: (351) (0)225 1059 46/47, Fax: (351) (0)225 1057 39
portugal@invacare.com

Sverige & Suomi:

Invacare AB, Fagerstagatan 9, S-163 91 Spånga - Tel: (46) (0)8 761 70 90, Fax: (46) (0)8 761 81 08
sweden@invacare.com, finland@invacare.com

Switzerland:

Mobitec Rehab AG, Benkenstrasse 260, CH-4108 Witterswil - Tel.: (41) (0) 61 487 70 80, Fax.: (41) (0) 61 487 70 81
office@mobitec-rehab.ch, switzerland@invacare.com

United Kingdom:

Invacare Ltd, South Road, Bridgend Industrial Estate, UK-Bridgend CF31 3PY - Tel: (44) (0)1656 664 321, Fax: (44) (0)1656 667 532
uk@invacare.com