



*Yes, you can.®*



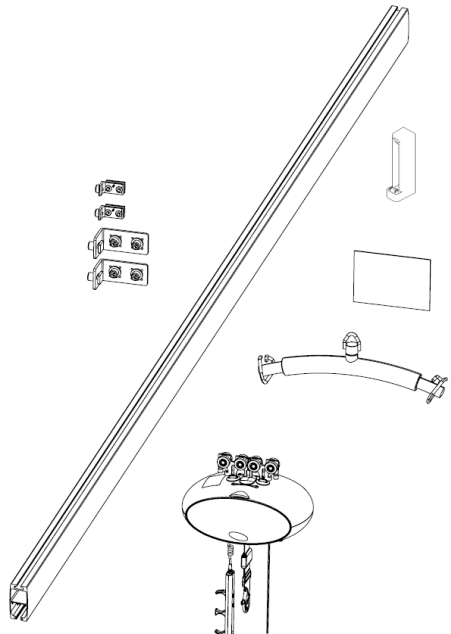
## Invacare® I-Transia™

*Product Guide*

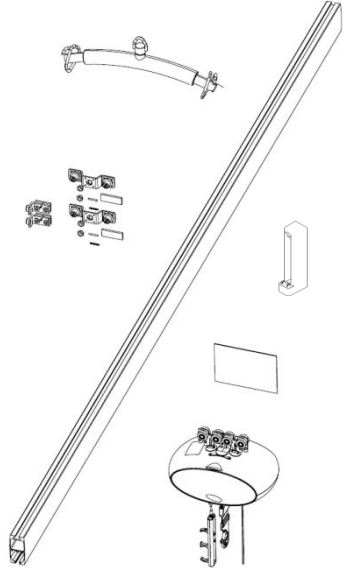
## Contents

1556861 I-Transia Kit 1, Single 3m (9'10") Rail, Wall Mount with Spreader Bar, 205kg (450lbs) .....	3
1556880 I-Transia Kit 2, Single 3m (9'10") Rail, Ceiling Mount with Spreader Bar, 205kg (450lbs).....	3
1556900 I-Transia Kit 3, Single 3m (9'10") Rail, Wall Support with Spreader Bar, 205kg (450lbs) .....	4
1556901 I-Transia Kit 4, 3m (9'10") Room Covering, Wall Mount with Spreader Bar, 205kg (450lbs).....	4
1556902 I-Transia Kit 5, 3m (9'10") Room Covering, Ceiling Mount with Spreader Bar, 205kg (450lbs) ....	5
1556903 I-Transia Kit 6, 3m (9'10") Room Covering, Wall Support with Spreader Bar, 205kg (450lbs).....	5
1556922 I-Transia Kit 7, Free Standing Gantry System with Spreader Bar, 205kg (450lbs) .....	6
1556923 I-Transia Kit 8, Single 4m (13'2") Rail, Wall Mount with Spreader Bar, 205kg (450lbs) .....	6
1556924 I-Transia Kit 9, Single 4m (13'2") Rail, Ceiling Mount with Spreader Bar, 205kg (450lbs).....	7
1556962 I-Transia Kit 10, Single 4m (13'2") Rail, Wall Support with Spreader Bar, 205kg (450lbs) .....	7
1556963 I-Transia Kit 11, 4m (13'2") Room Covering, Wall Mount with Spreader Bar, 205kg (450lbs).....	8
1556973 I-Transia Kit 12, 4m (13'2") Room Covering, Ceiling Mount with Spreader Bar, 205kg (450lbs) ..	8
1556974 I-Transia Kit 13, 4m (13'2") Room Covering, Wall Support with Spreader Bar, 205kg (450lbs)....	9
1556975 I-Transia Kit 14, Single 3m (9'10") Rail, Wall Mount with Spreader Bar, 250kg (550lbs) .....	9
1556987 I-Transia Kit 15, Single 3m (9'10") Rail, Ceiling Mount with Spreader Bar, 250kg (550lbs).....	10
1557017 I-Transia Kit 16, Single 3m (9'10") Rail, Wall Support with Spreader Bar, 250kg (550lbs) .....	10
1557018 I-Transia Kit 17, 3m (9'10") Room Covering, Wall Mount with Spreader Bar, 250kg (550lbs)....	11
1557019 I-Transia Kit 18, 3m (9'10") Room Covering, Ceiling Mount with Spreader Bar, 250kg (550lbs)	11
1557020 I-Transia Kit 19, 3m (9'10") Room Covering, Wall Support with Spreader Bar, 250kg (550lbs)..	12
1557021 I-Transia Kit 20, Free Standing Gantry System with Spreader Bar, 250kg (550lbs) .....	12
1557022 I-Transia Kit 21, Single 3.5m (11'6") Rail, Wall Mount with Spreader Bar, 250kg (550lbs) .....	13
1557023 I-Transia Kit 22, Single 4m (13'2") Rail, Ceiling Mount with Spreader Bar, 250kg (550lbs).....	13
1557042 I-Transia Kit 23, Single 3.5m (11'6") Rail, Wall Support with Spreader Bar, 250kg (550lbs) .....	14
1557043 I-Transia Kit 24, 3.5m (11'6") x 4m (13'2") Room Covering, Wall Mount with Spreader Bar, 250kg (550lbs).....	14
1557044 I-Transia Kit 25, 4m (13'2") Room Covering, Ceiling Mount with Spreader Bar, 250kg (550lbs)	15
1557045 I-Transia Kit 26, 3.5m (11'6") x 4m (13'2") Room Covering, Wall Support with Spreader Bar, 250kg (550lbs).....	15
Customer Sales and Service .....	16

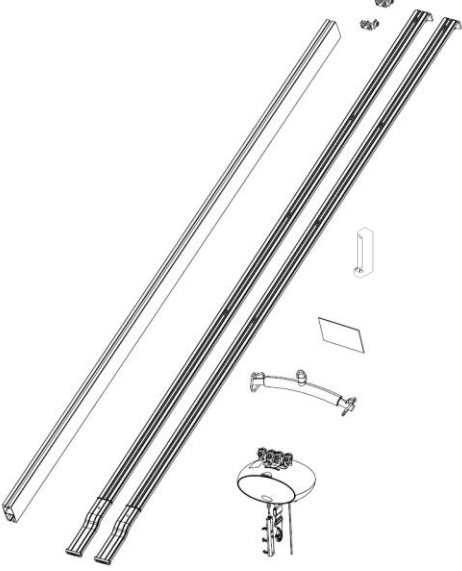
**1556861 I-Transia Kit 1, Single 3m (9'10") Rail, Wall Mount with Spreader Bar, 205kg (450lbs)**

Model	Descriptions	Part Numbers	Qty
	End Stops and Wall Mount Brackets	1557046	1
	Aluminum MIDI Rail, 3m (9'10")	1557047	1
	Portable Docking	1557120	1
	User Manual	1183377	1
	I-Transia Hoist 205 110 0000	1557114	1
	Spreader Bar with Foam 2 Points 450mm (17.7")	1526581-0125	1

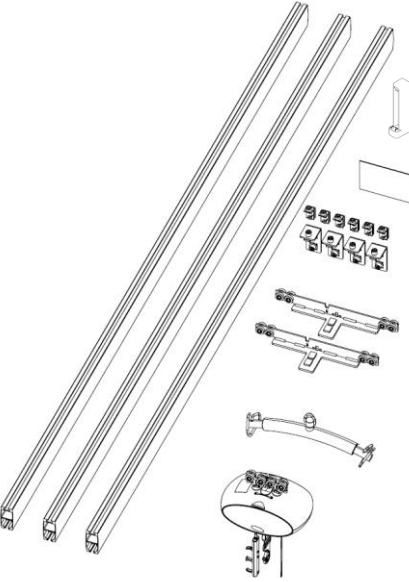
**1556880 I-Transia Kit 2, Single 3m (9'10") Rail, Ceiling Mount with Spreader Bar, 205kg (450lbs)**

Model	Descriptions	Part Numbers	Qty
	End Stops and Ceiling Mount Brackets	1557109	1
	Aluminum MIDI Rail, 3m (9'10")	1557047	1
	Portable Docking	1557120	1
	User Manual	1183377	1
	I-Transia Hoist 205 110 0000	1557114	1
	Spreader Bar with Foam 2 Points 450mm (17.7")	1526581-0125	1

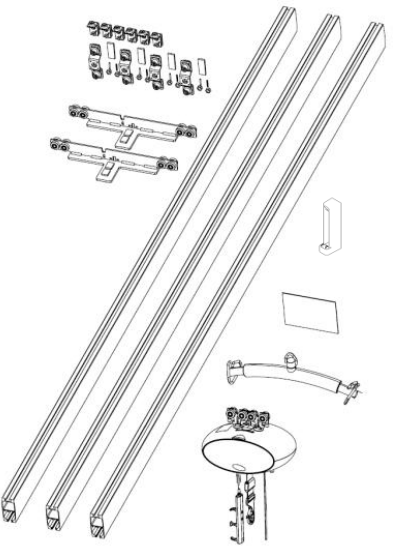
**1556900 I-Transia Kit 3, Single 3m (9'10") Rail, Wall Support with Spreader Bar, 205kg (450lbs)**

Model	Descriptions	Part Numbers	Qty
	Wall Support Profile	1559583	1
	End Stops and Upright Support Mounts	1557110	1
	Aluminum MIDI Rail, 3m (9'10")	1557047	1
	Portable Docking	1557120	1
	User Manual	1183377	1
	I-Transia Hoist 205 110 0000	1557114	1
	Spreader Bar with Foam 2 Points 450mm (17.7")	1526581-0125	1

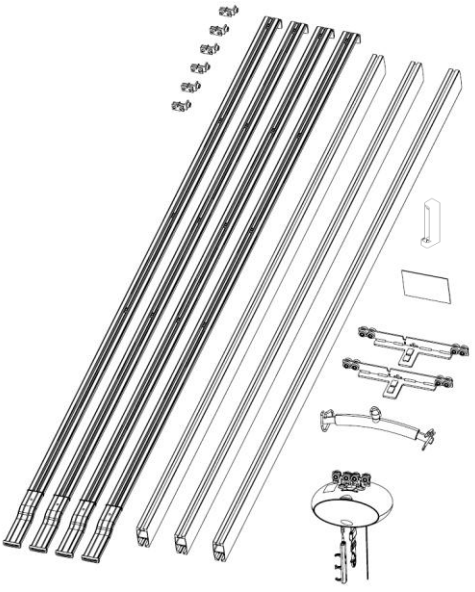
**1556901 I-Transia Kit 4, 3m (9'10") Room Covering, Wall Mount with Spreader Bar, 205kg (450lbs)**

Model	Descriptions	Part Numbers	Qty
	End Stops and Room Covering Wall Mount Brackets	1557111	1
	Traverse Trolley Kit	1557108	1
	Aluminum MIDI Rail, 3m (9'10")	1557047	3
	Portable Docking	1557120	1
	User Manual	1183377	1
	I-Transia Hoist 205 110 0000	1557114	1
	Spreader Bar with Foam 2 Points 450mm (17.7")	1526581-0125	1

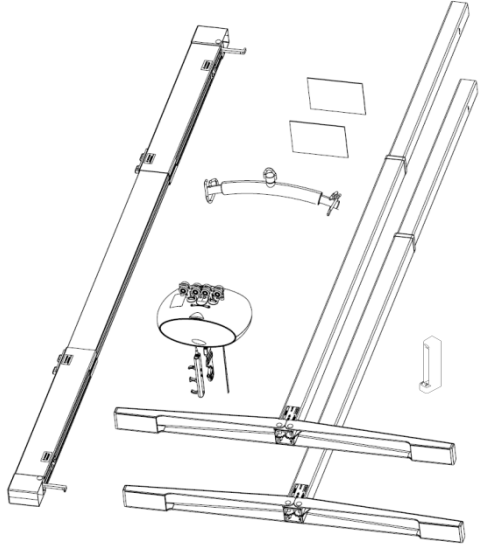
**1556902 I-Transia Kit 5, 3m (9'10") Room Covering, Ceiling Mount with Spreader Bar, 205kg (450lbs)**

Model	Descriptions	Part Numbers	Qty
	End Stops and Room Covering Ceiling Mount Brackets	1557112	1
	Traverse Trolley Kit	1557108	1
	Aluminum MIDI Rail, 3m (9'10")	1557047	3
	Portable Dock	1557120	1
	User Manual	1183377	1
	I-Transia Hoist 205 110 0000	1557114	1
	Spreader Bar with Foam 2 Points 450mm (17.7")	1526581-0125	1

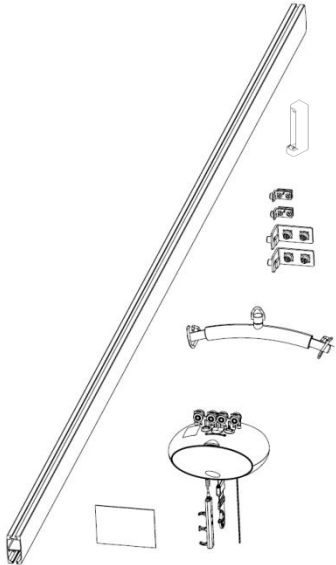
**1556903 I-Transia Kit 6, 3m (9'10") Room Covering, Wall Support with Spreader Bar, 205kg (450lbs)**

Model	Descriptions	Part Numbers	Qty
	Wall Support Profile	1559583	2
	End Stops and Room Covering Upright Support Mounts	1557113	1
	Traverse Trolley Kit	1557108	1
	Aluminum MIDI Rail, 3m (9'10")	1557047	3
	Portable Dock	1557120	1
	User Manual	1183377	1
	I-Transia Hoist 205 110 0000	1557114	1
Spreader Bar with Foam 2 Points 450mm (17.7")	1526581-0125	1	

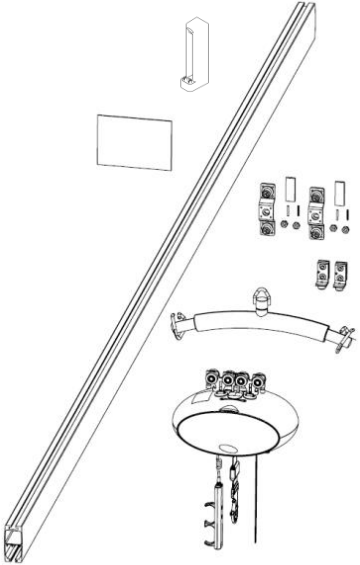
**1556922 I-Transia Kit 7, Free Standing Gantry System with Spreader Bar, 205kg (450lbs)**

Model	Descriptions	Part Numbers	Qty
	Bracket, Rail Top	1557118	1
	Pole, Vertical	1557119	2
	Portable Dock	1557120	1
	User Manual	1183377	1
	Gantry Manual	1183379	1
	I-Transia Hoist 205 110 0000	1557114	1
	Spreader Bar with Foam 2 Points 450mm (17.7")	1526581-0125	1

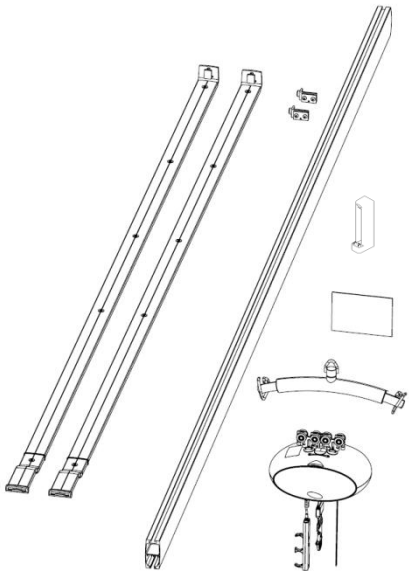
**1556923 I-Transia Kit 8, Single 4m (13'2") Rail, Wall Mount with Spreader Bar, 205kg (450lbs)**

Model	Descriptions	Part Numbers	Qty
	End Stops and Wall Mount Brackets	1557046	1
	Aluminum MIDI Rail, 4m (13'2")	1557072	1
	Portable Dock	1557120	1
	User Manual	1183377	1
	I-Transia Hoist 205 110 0000	1557114	1
	Spreader Bar with Foam 2 Points 450mm (17.7")	1526581-0125	1

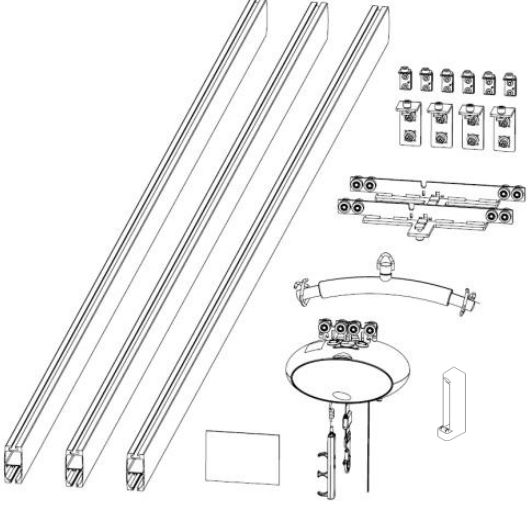
**1556924 I-Transia Kit 9, Single 4m (13'2") Rail, Ceiling Mount with Spreader Bar, 205kg (450lbs)**

Model	Descriptions	Part Numbers	Qty
	End Stops and Ceiling Mount Brackets	1557109	1
	Aluminum MIDI Rail, 4m (13'2")	1557072	1
	Portable Dock	1557120	1
	User Manual	1183377	1
	I-Transia Hoist 205 110 0000	1557114	1
	Spreader Bar with Foam 2 Points 450mm (17.7")	1526581-0125	1

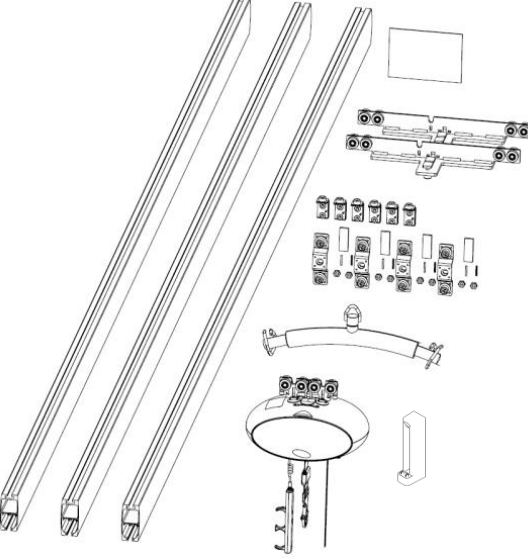
**1556962 I-Transia Kit 10, Single 4m (13'2") Rail, Wall Support with Spreader Bar, 205kg (450lbs)**

Model	Descriptions	Part Numbers	Qty
	Wall Support Profile	1559583	1
	End Stops and Upright Support Mounts	1557110	1
	Aluminum MIDI Rail, 4m (13'2")	1557072	1
	Portable Dock	1557120	1
	User Manual	1183377	1
	I-Transia Hoist 205 110 0000	1557114	1
Spreader Bar with Foam 2 Points 450mm (17.7")	1526581-0125	1	

**1556963 I-Transia Kit 11, 4m (13'2") Room Covering, Wall Mount with Spreader Bar, 205kg (450lbs)**

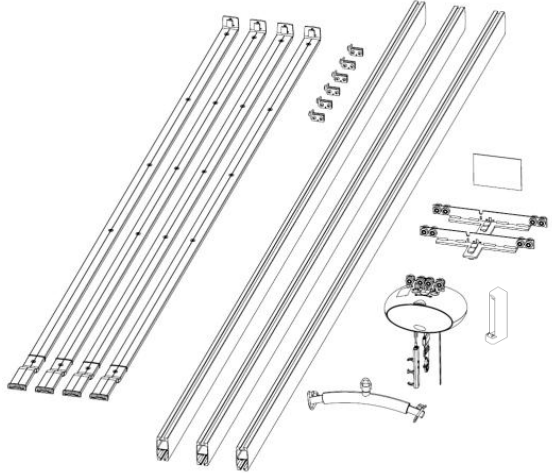
Model	Descriptions	Part Numbers	Qty
	End Stops and Room Covering Wall Mount Brackets	1557111	1
	Traverse Trolley Kit	1557108	1
	Aluminum MIDI Rail, 4m (13'2")	1557072	3
	Portable Dock	1557120	1
	User Manual	1183377	1
	I-Transia Hoist 205 110 0000	1557114	1
	Spreader Bar with Foam 2 Points 450mm (17.7")	1526581-0125	1

**1556973 I-Transia Kit 12, 4m (13'2") Room Covering, Ceiling Mount with Spreader Bar, 205kg (450lbs)**

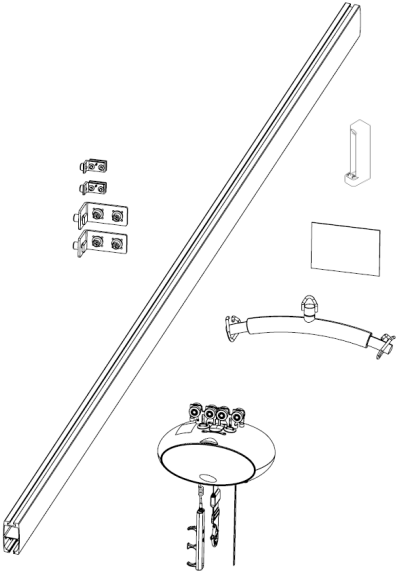
Model	Descriptions	Part Numbers	Qty
	End Stops and Room Covering Ceiling Mount Brackets	1557112	1
	Traverse Trolley Kit	1557108	1
	Aluminum MIDI Rail, 4m (13'2")	1557072	3
	Portable Dock	1557120	1
	User Manual	1183377	1
	I-Transia Hoist 205 110 0000	1557114	1
	Spreader Bar with Foam 2 Points 450mm (17.7")	1526581-0125	1



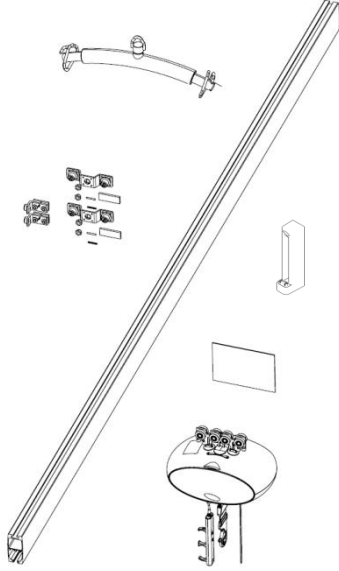
**1556974 I-Transia Kit 13, 4m (13'2") Room Covering, Wall Support with Spreader Bar, 205kg (450lbs)**

Model	Descriptions	Part Numbers	Qty
	Wall Support Profile	1559583	2
	End Stops and Room Covering Upright Support Mounts	1557113	1
	Traverse Trolley Kit	1557108	1
	Aluminum MIDI Rail, 4m (13'2")	1557072	3
	Portable Dock	1557120	1
	User Manual	1183377	1
	I-Transia Hoist 205 110 0000	1557114	1
	Spreader Bar with Foam 2 Points 450mm (17.7")	1526581-0125	1


**1556975 I-Transia Kit 14, Single 3m (9'10") Rail, Wall Mount with Spreader Bar, 250kg (550lbs)**

Model	Descriptions	Part Numbers	Qty
	End Stops and Wall Mount Brackets	1557046	1
	Aluminum MIDI Rail, 3m (9'10")	1557047	1
	Portable Dock	1557120	1
	User Manual	1183377	1
	I-Transia Hoist 250 110 0000	1557115	1
	Spreader Bar with Foam 2 Points 450mm (17.7")	1526581-0125	1

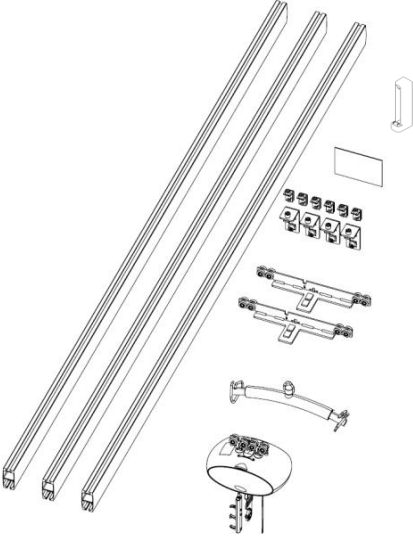
**1556987 I-Transia Kit 15, Single 3m (9'10") Rail, Ceiling Mount with Spreader Bar, 250kg (550lbs)**

Model	Descriptions	Part Numbers	Qty
	End Stops and Ceiling Mount Brackets	1557109	1
	Aluminum MIDI Rail, 3m (9'10")	1557047	1
	Portable Dock	1557120	1
	User Manual	1183377	1
	I-Transia Hoist 250 110 0000	1557115	1
	Spreader Bar with Foam 2 Points 450mm (17.7")	1526581-0125	1

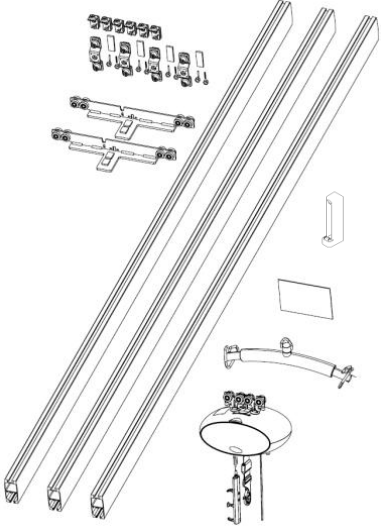
**1557017 I-Transia Kit 16, Single 3m (9'10") Rail, Wall Support with Spreader Bar, 250kg (550lbs)**

Model	Descriptions	Part Numbers	Qty
	Wall Support Profile	1559583	1
	End Stops and Upright Support Mounts	1557110	1
	Aluminum MIDI Rail, 3m (9'10")	1557047	1
	Portable Dock	1557120	1
	User Manual	1183377	1
	I-Transia Hoist 250 110 0000	1557115	1
	Spreader Bar with Foam 2 Points 450mm (17.7")	1526581-0125	1


**1557018 I-Transia Kit 17, 3m (9'10") Room Covering, Wall Mount with Spreader Bar, 250kg (550lbs)**

Model	Descriptions	Part Numbers	Qty
	End Stops and Room Covering Wall Mount Brackets	1557111	1
	Traverse Trolley Kit	1557108	1
	Aluminum MIDI Rail, 3m (9'10")	1557047	3
	Portable Dock	1557120	1
	User Manual	1183377	1
	I-Transia Hoist 250 110 0000	1557115	1
	Spreader Bar with Foam 2 Points 450mm (17.7")	1526581-0125	1

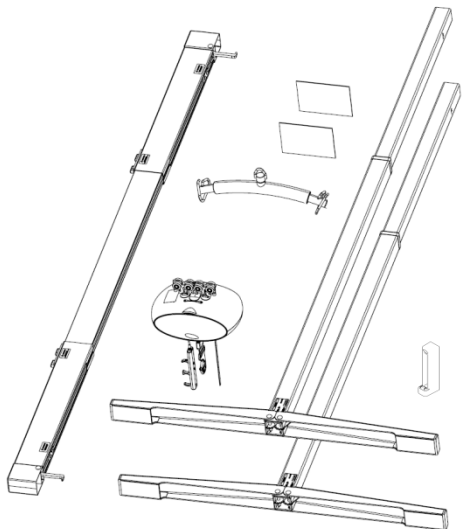
**1557019 I-Transia Kit 18, 3m (9'10") Room Covering, Ceiling Mount with Spreader Bar, 250kg (550lbs)**

Model	Descriptions	Part Numbers	Qty
	End Stops and Room Covering Ceiling Mount Brackets	1557112	1
	Traverse Trolley Kit	1557108	1
	Aluminum MIDI Rail, 3m (9'10")	1557047	3
	Portable Dock	1557120	1
	User Manual	1183377	1
	I-Transia Hoist 250 110 0000	1557115	1
	Spreader Bar with Foam 2 Points 450mm (17.7")	1526581-0125	1

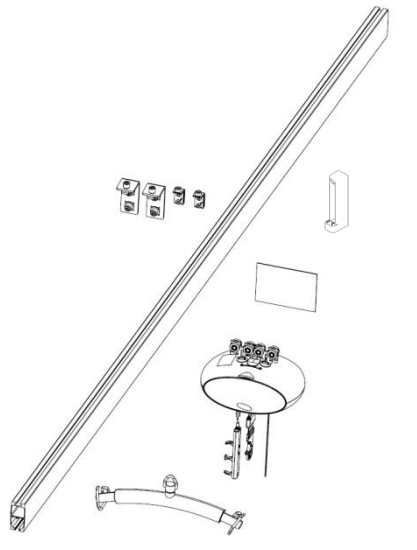
**1557020 I-Transia Kit 19, 3m (9'10") Room Covering, Wall Support with Spreader Bar, 250kg (550lbs)**

Model	Descriptions	Part Numbers	Qty
	Wall Support Profile	1559583	2
	End Stops and Room Covering Upright Support Mounts	1557113	1
	Traverse Trolley Kit	1557108	1
	Aluminum MIDI Rail, 3m (9'10")	1557047	3
	Portable Dock	1557120	1
	User Manual	1183377	1
	I-Transia Hoist 250 110 0000	1557115	1
	Spreader Bar with Foam 2 Points 450mm (17.7")	1526581-0125	1

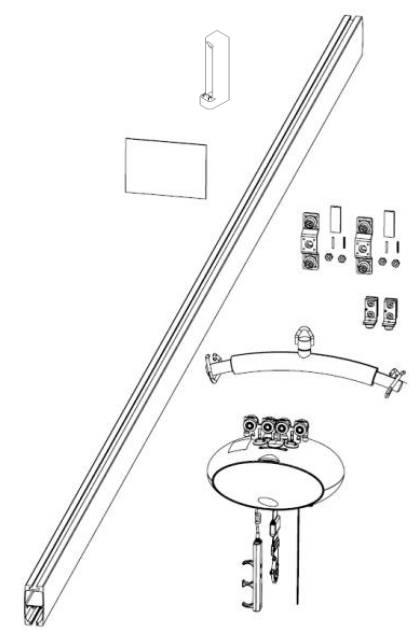
**1557021 I-Transia Kit 20, Free Standing Gantry System with Spreader Bar, 250kg (550lbs)**

Model	Descriptions	Part Numbers	Qty
	Bracket, Rail Top	1557118	1
	Pole, Vertical	1557119	2
	Portable Dock	1557120	1
	User Manual	1183377	1
	Gantry Manual	1183379	1
	I-Transia Hoist 250 110 0000	1557115	1
	Spreader Bar with Foam 2 Points 450mm (17.7")	1526581-0125	1

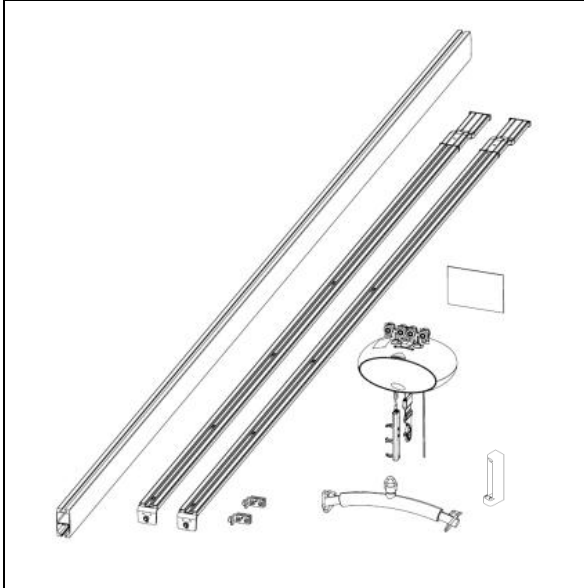
**1557022 I-Transia Kit 21, Single 3.5m (11'6") Rail, Wall Mount with Spreader Bar, 250kg (550lbs)**

Model	Descriptions	Part Numbers	Qty
	End Stops and Wall Mount Brackets	1557046	1
	Aluminum MIDI Rail, 3.5m (11'6")	1557052	1
	Portable Dock	1557120	1
	User Manual	1183377	1
	I-Transia Hoist 250 110 0000	1557115	1
	Spreader Bar with Foam 2 Points 450mm (17.7")	1526581-0125	1

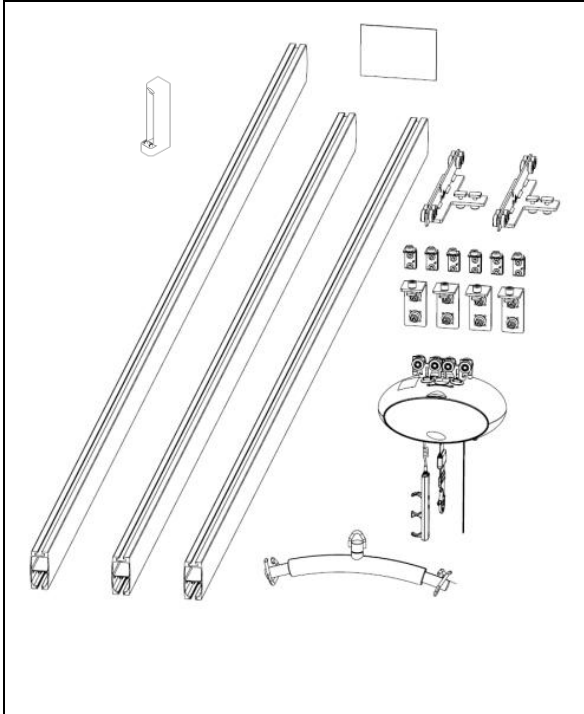
**1557023 I-Transia Kit 22, Single 4m (13'2") Rail, Ceiling Mount with Spreader Bar, 250kg (550lbs)**

Model	Descriptions	Part Numbers	Qty
	End Stops and Ceiling Mount Brackets	1557109	1
	Aluminum MIDI Rail, 4m (13'2")	1557072	1
	Portable Dock	1557120	1
	User Manual	1183377	1
	I-Transia Hoist 250 110 0000	1557115	1
	Spreader Bar with Foam 2 Points 450mm (17.7")	1526581-0125	1

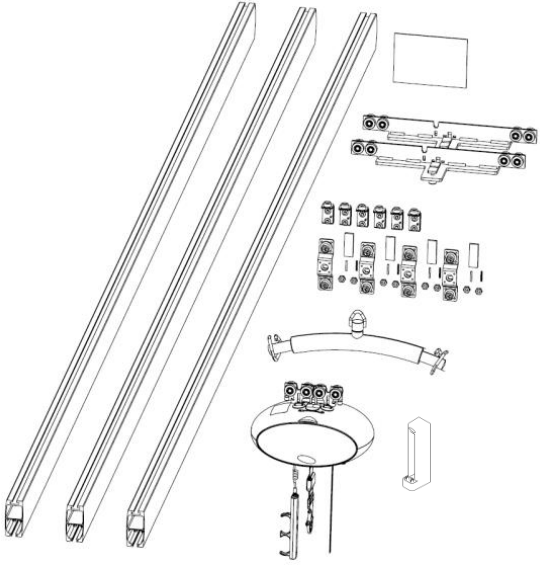
**1557042 I-Transia Kit 23, Single 3.5m (11'6") Rail, Wall Support with Spreader Bar, 250kg (550lbs)**

Model	Descriptions	Part Numbers	Qty
	Wall Support Profile	1559583	1
	End Stops and Upright Support Mounts	1557110	1
	Aluminum MIDI Rail, 3.5m (11'6")	1557052	1
	Portable Dock	1557120	1
	User Manual	1183377	1
	I-Transia Hoist 250 110 0000	1557115	1
	Spreader Bar with Foam 2 Points 450mm (17.7")	1526581-0125	1

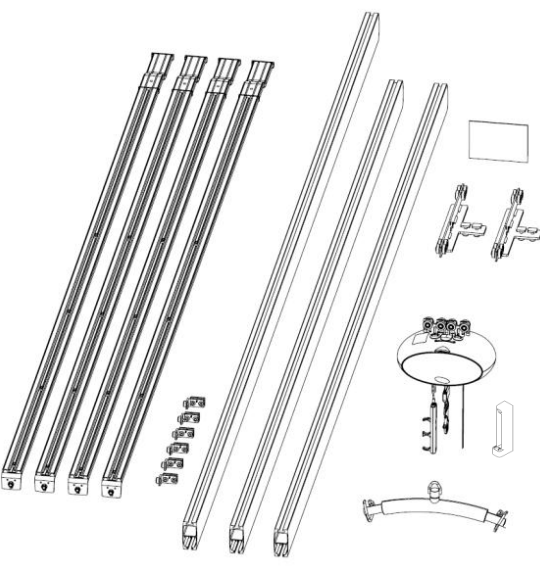
**1557043 I-Transia Kit 24, 3.5m (11'6") x 4m (13'2") Room Covering, Wall Mount with Spreader Bar, 250kg (550lbs)**

Model	Descriptions	Part Numbers	Qty
	End Stops and Room Covering Wall Mount Brackets	1557111	1
	Traverse Trolley Kit	1557108	1
	Aluminum MIDI Rail, 3.5m (11'6")	1557052	2
	Aluminum MIDI Rail, 4m (13'2")	1557072	1
	Portable Dock	1557120	1
	User Manual	1183377	1
	I-Transia Hoist 250 110 0000	1557115	1
	Spreader Bar with Foam 2 Points 450mm (17.7")	1526581-0125	1

**1557044 I-Transia Kit 25, 4m (13'2") Room Covering, Ceiling Mount with Spreader Bar, 250kg (550lbs)**

Model	Descriptions	Part Numbers	Qty
	End Stops and Room Covering Ceiling Mount Brackets	1557112	1
	Traverse Trolley Kit	1557108	1
	Aluminum MIDI Rail, 4m (13'2")	1557072	3
	Portable Dock	1557120	1
	User Manual	1183377	1
	I-Transia Hoist 250 110 0000	1557115	1
	Spreader Bar with Foam 2 Points 450mm (17.7")	1526581-0125	1

**1557045 I-Transia Kit 26, 3.5m (11'6") x 4m (13'2") Room Covering, Wall Support with Spreader Bar, 250kg (550lbs)**

Model	Descriptions	Part Numbers	Qty
	Wall Support Profile	1559583	2
	End Stops and Room Covering Upright Support Mounts	1557113	1
	Traverse Trolley Kit	1557108	1
	Aluminum MIDI Rail, 3.5m (11'6")	1557052	2
	Aluminum MIDI Rail, 4m (13'2")	1557072	1
	Portable Dock	1557120	1
	User Manual	1183377	1
	I-Transia Hoist 250 110 0000	1557115	1
	Spreader Bar with Foam 2 Points 450mm (17.7")	1526581-0125	1



## Customer Sales and Service

### *Norway & Iceland*

**Invacare AS**  
Grensesvingen 9  
Postbox 6230 Etterstad  
N-0603 Oslo  
Phone: +47 22 57 95 00  
Fax: +47 22 57 95 01  
[www.invacare.no](http://www.invacare.no)  
[norway@invacare.com](mailto:norway@invacare.com)

### *Spain*

**Invacare S.A.**  
C/Areny S/N  
Poligon Industrial de Celrà  
E-17460 Celrà (Girona)  
Phone: +34 972 49 32 00  
Fax: +34 972 49 32 20  
[www.invacare.es](http://www.invacare.es)  
[contactsp@invacare.com](mailto:contactsp@invacare.com)

### *Switzerland*

**Invacare AG**  
Benkenstrasse 260  
CH-4108 Witterswil  
Phone: +41 61 487 70 80  
Fax: +41 61 487 70 81  
[www.invacare.ch](http://www.invacare.ch)  
[switzerland@invacare.com](mailto:switzerland@invacare.com)

### *Belgium & Luxemburg*

**Invacare NV**  
Autobaan 22  
B-8210 Loppem, Brügge  
Phone: +32 50 83 10 10  
Fax: +32 50 83 10 11  
[www.invacare.be](http://www.invacare.be)  
[belgium@invacare.com](mailto:belgium@invacare.com)

### *Netherlands*

**Invacare B.V.**  
Celsiusstraat 46  
NL-6716 BZ Ede  
Phone: +31 318 695 757  
Fax: +31 318 695 758  
[www.invacare.nl](http://www.invacare.nl)  
[care@invacare.com](mailto:care@invacare.com)

### *Germany*

**Invacare GmbH**  
Alemannenstrasse 10  
D-88316 Isny  
Phone: +49 75 62 700 0  
Fax: +49 75 62 700 66  
[www.aquatec.de](http://www.aquatec.de)  
[info@aquatec.de](mailto:info@aquatec.de)

### *Portugal*

**Invacare Lda**  
Rua Estrada Velha 949  
P-4465-784 Leça do Balio  
Phone: +351 225 1059 46/47  
Fax: +351 225 1057 39  
[www.invacare.pt](http://www.invacare.pt)  
[portugal@invacare.com](mailto:portugal@invacare.com)

### *Australia*

**Invacare Australia Pty Ltd**  
1 Lenton Place, North Rocks  
NSW 2151  
Phone: +61 2 8839 5333  
Fax: +61 2 8839 5353  
[www.invacare.com.au](http://www.invacare.com.au)  
[sales@invacare.com.au](mailto:sales@invacare.com.au)

### *France*

**Invacare Poirier S.A.S.**  
Route de St. Roch  
F-37230 Fondettes  
Phone: +33 2 47 62 64 66  
Fax: +33 2 47 42 12 24  
[www.invacare.fr](http://www.invacare.fr)  
[contactfr@invacare.com](mailto:contactfr@invacare.com)

### *United Kingdom*

**Invacare Ltd**  
Pencoed Technology Park  
Pencoed, Bridgend, CF35 5AQ  
Phone: +44 1 656 776 222  
Fax: +44 1 656 776 220  
[www.invacare.co.uk](http://www.invacare.co.uk)  
[UK@invacare.com](mailto:UK@invacare.com)

### *Ireland*

**Invacare Ireland Ltd**  
Unit 5 Seatown Business Campus  
Seatown Road  
Swords, County Dublin-Ireland  
Phone: (353) 1 810 7084  
Fax: (353) 1 810 7085  
[www.invacare.ie](http://www.invacare.ie)  
[ireland@invacare.com](mailto:ireland@invacare.com)

### *New Zealand*

**Invacare NZ**  
4 Westfield Place  
Mt. Wellington  
Auckland  
Phone: +64 9 917 3939  
Fax: +64 9 917 3957  
[www.invacare.co.nz](http://www.invacare.co.nz)  
[sales@invacare.co.nz](mailto:sales@invacare.co.nz)

### *Austria*

**Mobitec Mobilitätshilfen GmbH**  
Herzog Odilostrasse 101  
A-5310 Mondsee  
Phone: +43 6232 5535 0  
Fax: +43 6232 5535 4  
[www.mobitec-austria.com](http://www.mobitec-austria.com)  
[austria@invacare.com](mailto:austria@invacare.com)

### *United States of America*

**Invacare Corporation**  
One Invacare Way  
Elyria, OH 44036  
Phone: (800) 333-6900  
Fax: (877) 619-7996  
[www.invacare.com](http://www.invacare.com)  
[ConsumerCare@invacare.com](mailto:ConsumerCare@invacare.com)

### *Canada*

**Invacare Canada**  
570 Matheson Blvd. East, Unit 8  
Mississauga, Ontario L4Z 4G4  
Phone: (800) 668-5324  
Fax: (800) 668-5478  
[www.invacare.ca](http://www.invacare.ca)  
[infocanada@invacare.com](mailto:infocanada@invacare.com)