

**International Platinum
IRC5LXAW and IRC5LXAWO2 Series
Oxygen Concentrator**



Parts Catalog Usage Guide

The information contained in this document is subject to change without notice. This catalog contains service parts for Form No. 03-036. If you have any questions regarding this catalog, please contact one of our Customer Service Representatives.

For Customer Service Support Call:

1-800-333-6900

For Faxed In Orders Call:

1-800-678-4682 or

1-440-366-0709

For Technical Service Call:

1-800-832-4707

Literature Can Be Found at:

www.invacare.com or

1-800-828-6272

SYMBOL DEFINITION

Throughout this catalog you will notice letters to draw your attention to specific footnotes which are located at the bottom of the page or below specified charts.

Examples:

A,B,C etc. = Special Comments

NOTE: = General information pertaining to that specific page

NLA = No Longer Available

HARDWARE MEASUREMENTS

The measurements for the hardware will be listed as follows:

Screws, Bolts Diameter X Thread Count/Pitch X Length

Washers Inside Diameter X Outside Diameter X Thickness

Spacers Inside Diameter X Outside Diameter X Length

For your convenience, we have supplied an area for you to list your Invacare Representatives.

Name	Phone Numbers

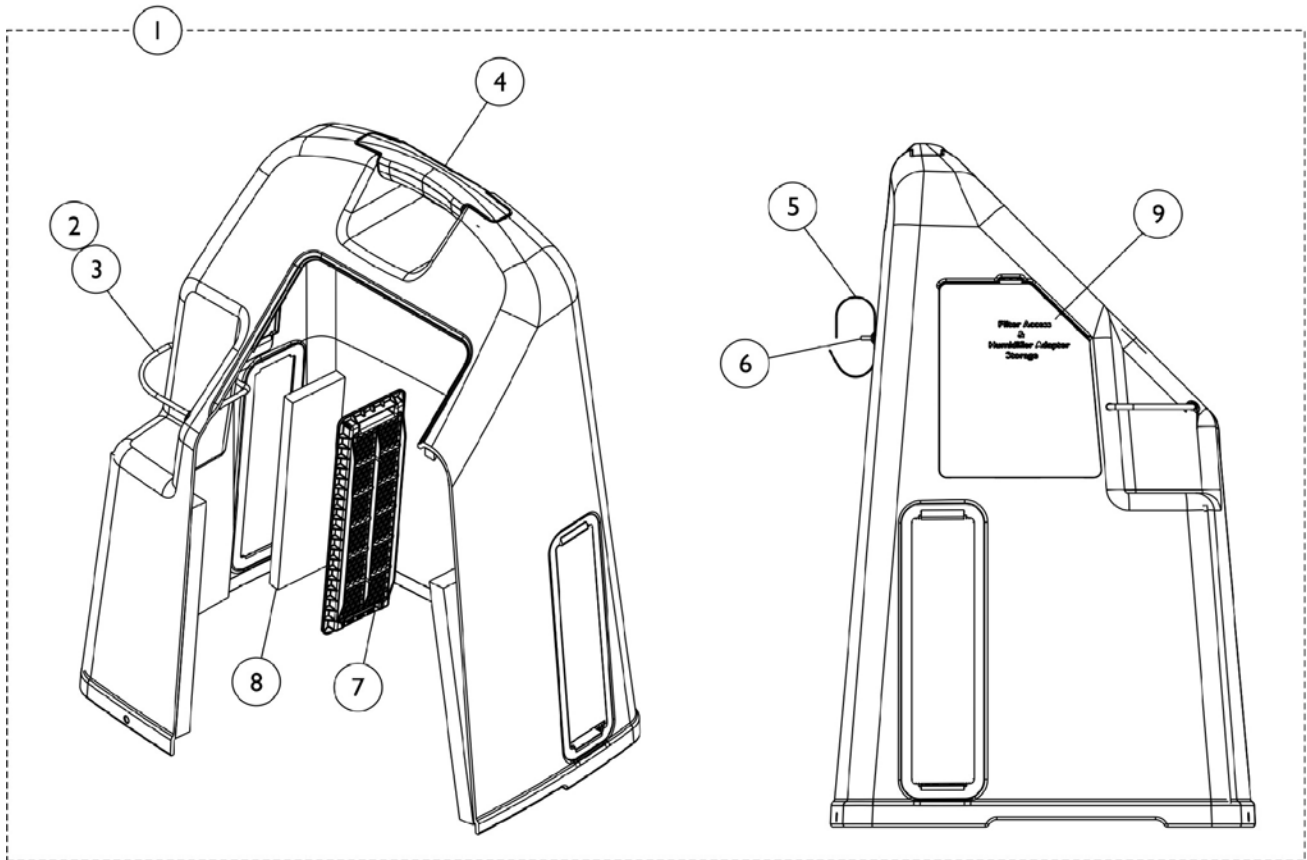
© 2007 Invacare Corporation, Elyria, Ohio. Invacare, the Medallion Design and Yes, you can. are registered trademarks of the Invacare Corporation. Platinum is a trademark of Invacare Corporation. Information is subject to change without notification.

TABLE of CONTENTS

Description	Page Number
Compressor	13
Control Panel - Front View	7
Control Panel - Rear View	9
Shroud - Bottom	5
Shroud - Top	3
Sieve Beds and Product Tank	11
Sound Box and Manifold	15

Shroud - Top

IRC5LXAW and IRC5LXO2AW



Shroud - Top

IRC5LXAW and IRC5LXO2AW

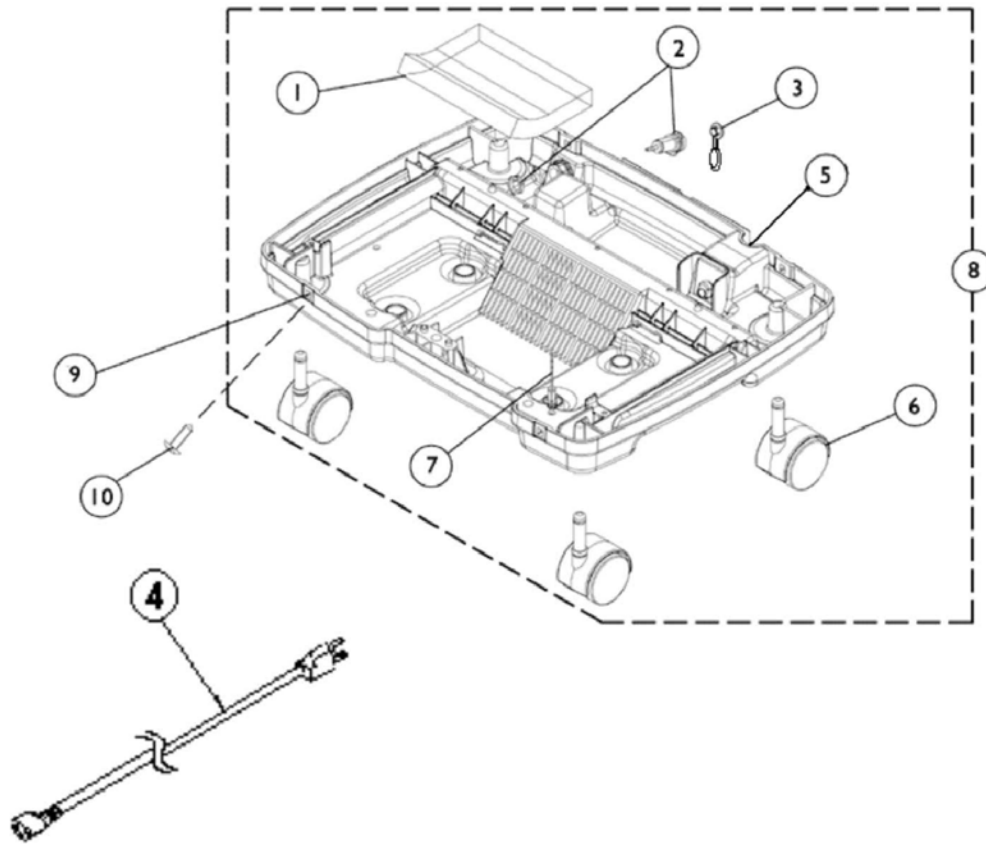
Item Number	Note	Part Number	Description	Quantity Per	
				Package	Assembly
1	A	1108803	Cover, Cabinet Assembly (without Tie Wraps)	1	1
2		1070050	Wrap, Tie	1	1
3		1008547	Cord, Elastic	1	1
4		1115868	Kit, Cabinet Handle	1	1
		1105519	Handle, Top	1	1
		1108792	Screw, Hex Head Tap (1/4-15 x 3/4")	1	2
5		P0875X071	Strap, Hook and Loop	1	1
6		2002540	Rivet, Plastic	1	1
7		1107400	Grid, Filter	1	2
8	1107412	Filter, Cabinet	1	2	
9	1110766	Door, Filter Access with Foam Gasket	1	1	
	B	1112296	Packaging	1	1
	B,C	1118389	Owner's Manual	1	1

NOTE: A - Includes Cabinet and Items 1-9.
 B - Not Shown.
 C - To be used with the IRC5LXAW and IRC5LXO2AW.

Shroud - Bottom

IRC5LXAW and IRC5LXO2AW

Shroud - Bottom



Shroud - Bottom

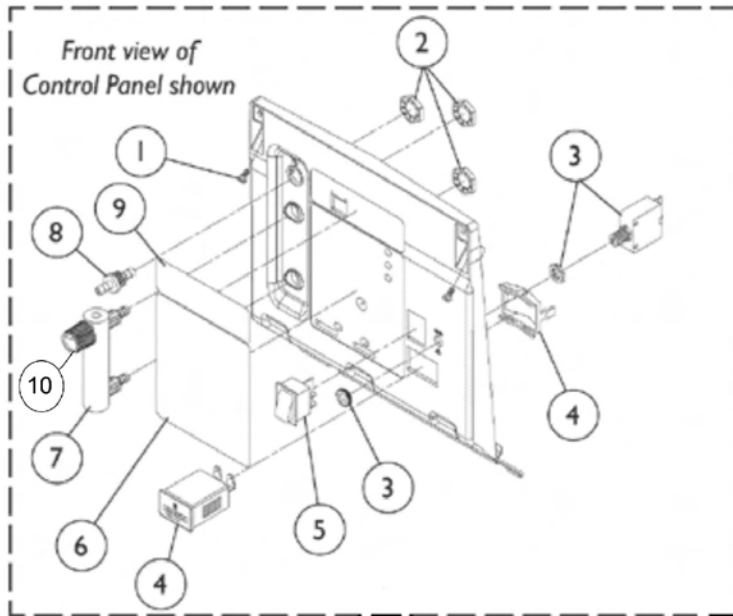
IRC5LXAW and IRC5LXO2AW

Item Number	Note	Part Number	Description	Quantity Per	
				Package	Assembly
1		1108816	Foam, Base	1	1
2		1104151	Fitting, Hose Barb with Nut (1/8")	1	1
3		1108211	Cap, Dust	1	1
4	A,D	1062791-NLA	Cord, Line-Brazil, Korea and Turkey	1	1
4	A	1131308	Cord, Line, Continental Europe	1	1
4	A	1062794	Cord, Line-Argentina, Australia, Peoples Republic of China and New Zealand	1	1
4	A	1062793	Cord, Line-Hong Kong, Singapore and Vietnam	1	1
4	A	1071398	Cord, Line-Israel	1	1
4	A	1102634	Cord, Line-India	1	1
5		1105515	Inlet Module	1	1
6	C	1076830-NLA	Caster (2")	1	4
6		1110426	Caster (2")	1	4
7		2000576	Standoff, Twist-Lok (1/2")	1	1
8	B,E	1110826	Base Assembly	1	1
9		2002360-NLA	Grommet, Plastic	1	4
9		2000360	Grommet, Plastic	1	4
10		2000508	Screw, Truss Head Self Tap (#8-32 x 5/8")	1	4

NOTE: A - Select line cord desired.
 B - Includes base and items 1, 2, 3, 5 and 7.
 C - Item no longer available, refer to Part #1110426.
 D - Item no longer available, refer to Part #1131308.
 E - As of 5/8/07 the base color has changed to black.

Control Panel - Front View

IRC5LXAW and IRC5LXO2AW



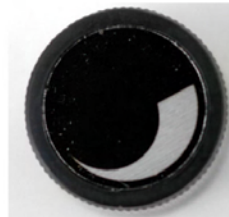
NOTE: There are 2 styles of #10 - flowmeter knobs. These knobs are NOT interchangeable. Refer to the photos below.

1128379



Used with flowmeters that have an indented Phillips head screw on top.

1128380



Used with flowmeters that have a slotted head screw on top.

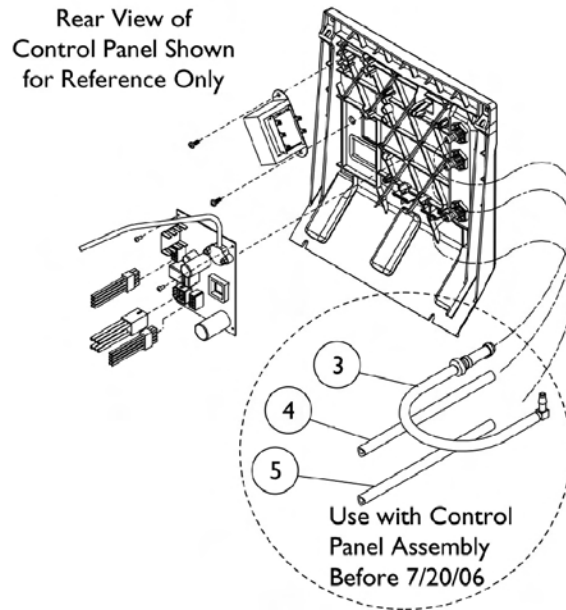
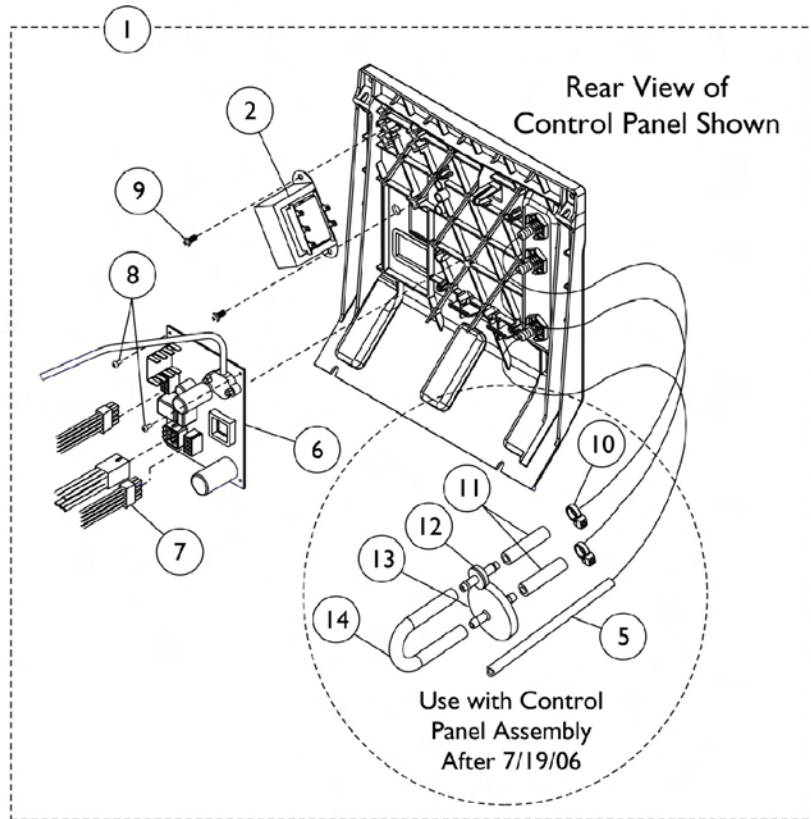
Control Panel - Front View IRC5LXAW and IRC5LXO2AW

Item Number	Note	Part Number	Description	Quantity Per	
				Package	Assembly
1		2003065-NLA	Screw, Phillips Hex Self Tap (#8-32 x 3/8")	1	2
1		1128404	Screw, Phillips Hex Head Tap (#8-32 x 3/8")	1	2
2		2000507	Palnut (9/16-18)	1	3
3		1110824	Circuit Breaker, 4 Amp.	1	1
4		1098707	Hourmeter with Clip	1	1
5	G	2001134-NLA	Switch, On/Off	1	1
5		1139950	Switch, Power	1	1
6	A	1121467	Label, Text IRC5LXAW Control Panel (English)	1	1
6	A	1121475	Label, Text IRC5LXO2AW Control Panel (English)	1	1
7	F	1110823-NLA	Flow Meter, 0-5 LPM	1	1
7	E	1110561	Flowmeter without Palnuts, 5 Liter	1	1
8		2000473	Connector, Barbed (1/4")	1	1
9		1108757	Decal, Logo	1	1
10		2001086-NLA	Knob, Flowmeter	1	1
10	C	1128379	Knob, Flowmeter Silver with Black Swish	10	1
10	D	1128380	Knob, Flowmeter Black with Silver Swish	10	1
	B	1101591	Control Panel Support	1	2
	B,G	2001141-NLA	Seal, Switch	1	1
	B	1112562	Seal, Circuit Breaker	1	1

NOTE: A - Dependent on model.
 B - Not Shown.
 C - Knob is silver with black "swish". Used on flowmeters with Phillips head indented screw on top.
 D - Knob is black with silver "swish". Used on flowmeters with a slotted head screw on top.
 E - Palnuts not included. Refer to Item #2.
 F - Replace with #1110561.
 G - Individual item no longer available, refer to part #1139950 for replacement.

Control Panel - Rear View

IRC5LXAW and IRC5LXO2AW



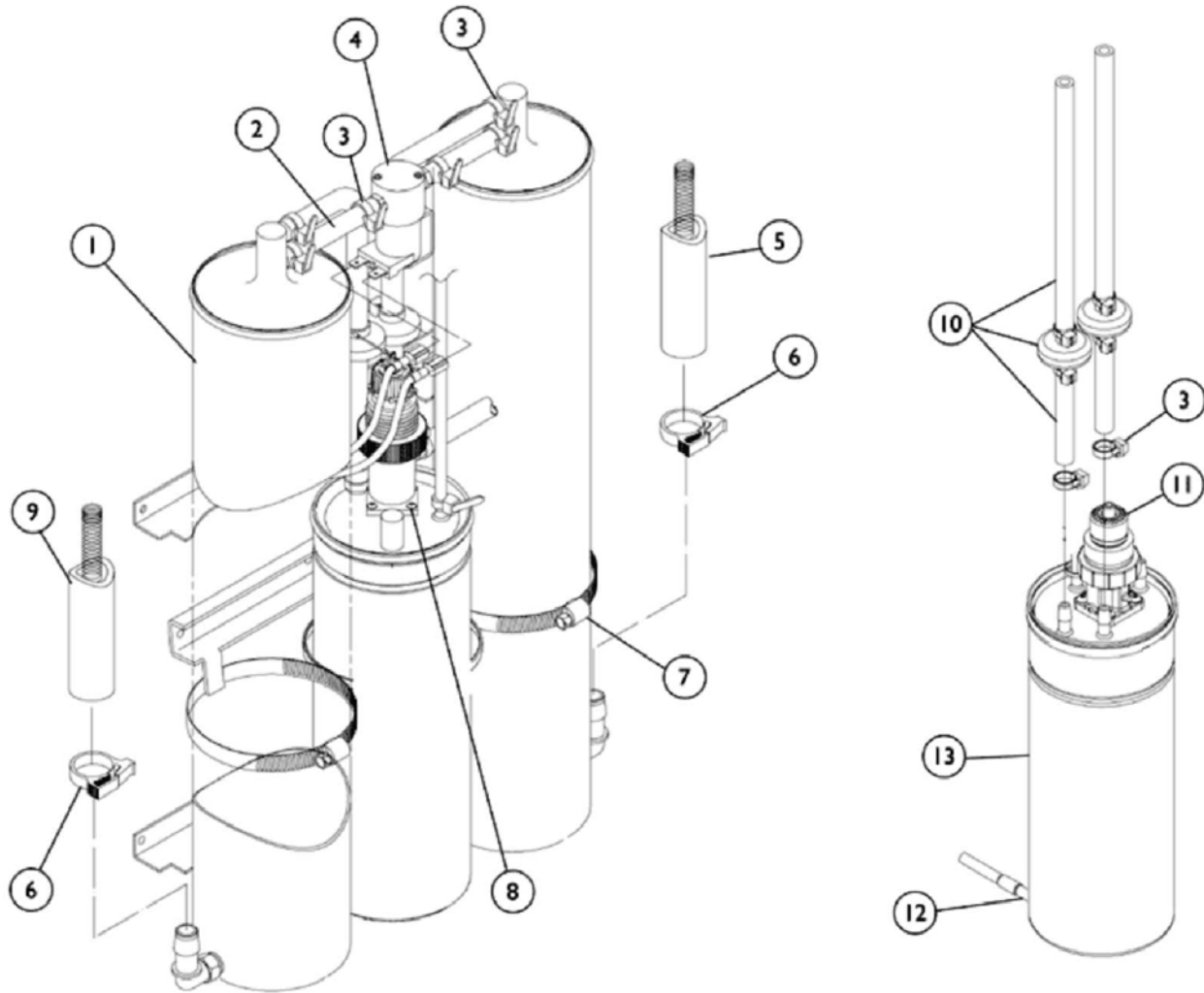
Control Panel - Rear View IRC5LXAW and IRC5LXO2AW

Item Number	Note	Part Number	Description	Quantity Per	
				Package	Assembly
1	B,C,D	1121282	Control Panel Assembly	1	1
1	B,C,E	1121279	Control Panel Assembly	1	1
2	J	1105385-NLA	Transformer	1	1
	K	1105391	Transformer Kit	1	1
3	A,I	1110779	Tubing Assembly, Check Valve Discharge	1	1
4	I	1108815	Tubing Silicon (1/4 x 16-1/4")	1	1
5		1108809	Tubing, PVC (1/4 x 12-3/4")	1	1
6	B,D	1108720	Assembly, LXN PCB	1	1
6	B,E	1108731-NLA	Assembly, ISBN PCB	1	1
6	B,E,L	1148686	Assembly, PCB Control	1	1
6	B,F	1129785	Assembly, ISBN Board	1	1
7		1121280	Wire Harness, 10 Pin NEC	1	1
8		2001902	Screw, Phillips Pan Head (#4-40 x 1/4")	2	1
9		1102696	Screw, Phillips Pan Head (#8-32 x 3/8")	1	2
10	G,H	2001682	Wrap, Tie (8")	1	2
11	G,H	1110473	Tubing, PVC (1/4 x 1-3/4")	1	2
12	G,H	2000460	Valve, Check	1	1
13	G,H	P0750X030	Filter, HEPA Outlet	1	1
14	G,H	1143144	Tubing, PVC (1/4 x 5")	1	1

NOTE: A - Includes Tubing (2 ea.) Check Valve, Elbow and Tie Wrap.
 B - Dependent on model.
 C - Control Panel Assembly includes items 1-9 on the Front View and items 2, 6-14 on the Rear View.
 D - To be used on model IRC5LXAW.
 E - To be used on Model IRC5LXO2AW.
 F - To be used on Model IRC5LXO2HA.
 G - "After 7/19/06" the location of the HEPA Filter has changed. The HEPA Filter is now located inside the cabinet.
 H - For use with Control Panel Assembly "After 7/19/06."
 I - For use with Control Panel Assembly "Before 7/20/06."
 J - Individual item no longer available, refer to Transformer Kit Part #1105391 for replacement.
 K - Kit includes Transformer, Nuts and Insulator.
 L - Item no longer available, refer to Part #1148686 for replacement.

Sieve Beds and Product Tank

IRC5LXAW and IRC5LXO2AW



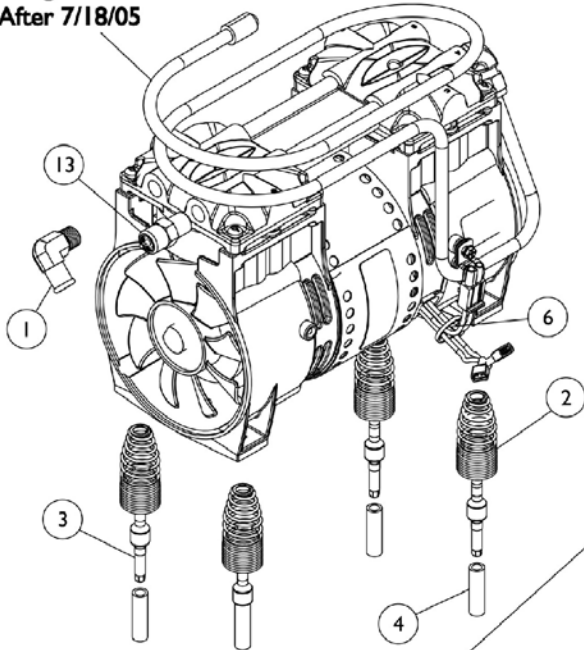
Sieve Beds and Product Tank IRC5LXAW and IRC5LXO2AW

Item Number	Note	Part Number	Description	Quantity Per	
				Package	Assembly
1	A	1101707	Sieve Bed Assembly	1	1
2		1110774	Tubing, PVC (1/4 x 2-1/2")	1	2
3		2001682	Wrap, Tie (8")	1	9
4		2001656	PE Valve Assembly with Fitting and Tubing	1	1
5		1108783	Tubing (1/2 x 23")	1	1
6		2001652	Clamp, Plastic (1/2")	1	2
7		1002807	Clamp, Hose	1	3
8		1075666	Screw, Regulator (8-32 x 3/8")	1	4
9		1108784	Tubing (1/2 x 20-1/4")	1	1
10	B,H	1110474-NLA	Check Valve Assembly	1	1
10	C	1104310	Kit, Check Valve	1	1
		1002807	Clamp, Hose	1	2
		1070050	Wrap, Tie	1	1
		1104917	Instruction Sheet	1	1
		2000436	Check Valve, Barb (5/16")	1	2
		2001682	Wrap, Tie (8")	1	9
		P0603X010	Tube (1/4")	1	1
11	C,F	1081381	Regulator	1	1
11	C,G	1075506	Regulator	1	1
12	D	1116433	HomeFill II Tubing Assembly	1	1
13	E,F	1116731	Product Tank (IRC5LX)	1	1
13	E,G	1116730	Product Tank (IRC5LX02)	1	1
14		1108809	Tubing, PVC (1/4 x 12-3/4")	1	1
15		1070050	Wrap, Tie	1	1
<p>NOTE: A - Includes (2) Sieve Beds, (2) Clamps, (2) Hose Clamps and (4) Tie Wraps. B - Includes Check Valve, Tubing and Tie Wraps. C - Dependent on Model. D - Includes Fitting, Tubing, Restrictor and Filter. E - Includes Product Tank, Cap with O-ring, Snap Ring and Regulator. F - IRC5LXAW G - IRC5LX02AW H - Individual item no longer available, refer to Kit Part#1104310 for replacement.</p>					

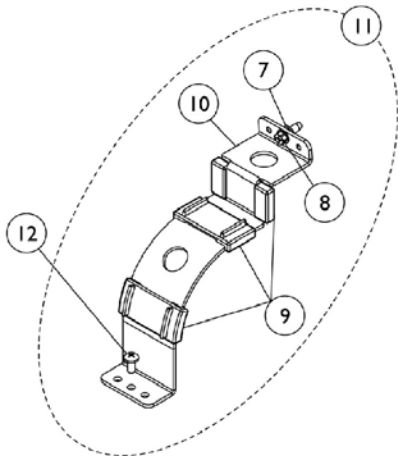
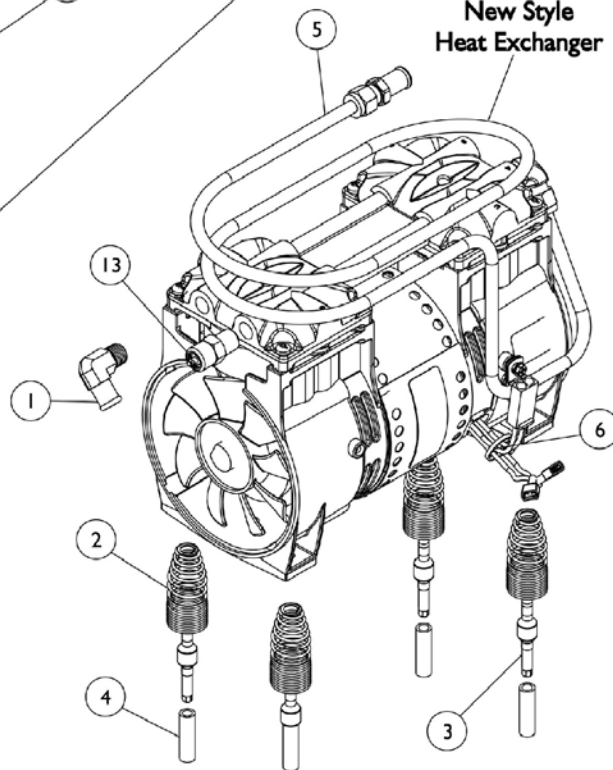
Compressor

IRC5LXAW and IRC5LXO2AW

Old style
Heat Exchanger
"No Longer Available"
After 7/18/05



New Style
Heat Exchanger



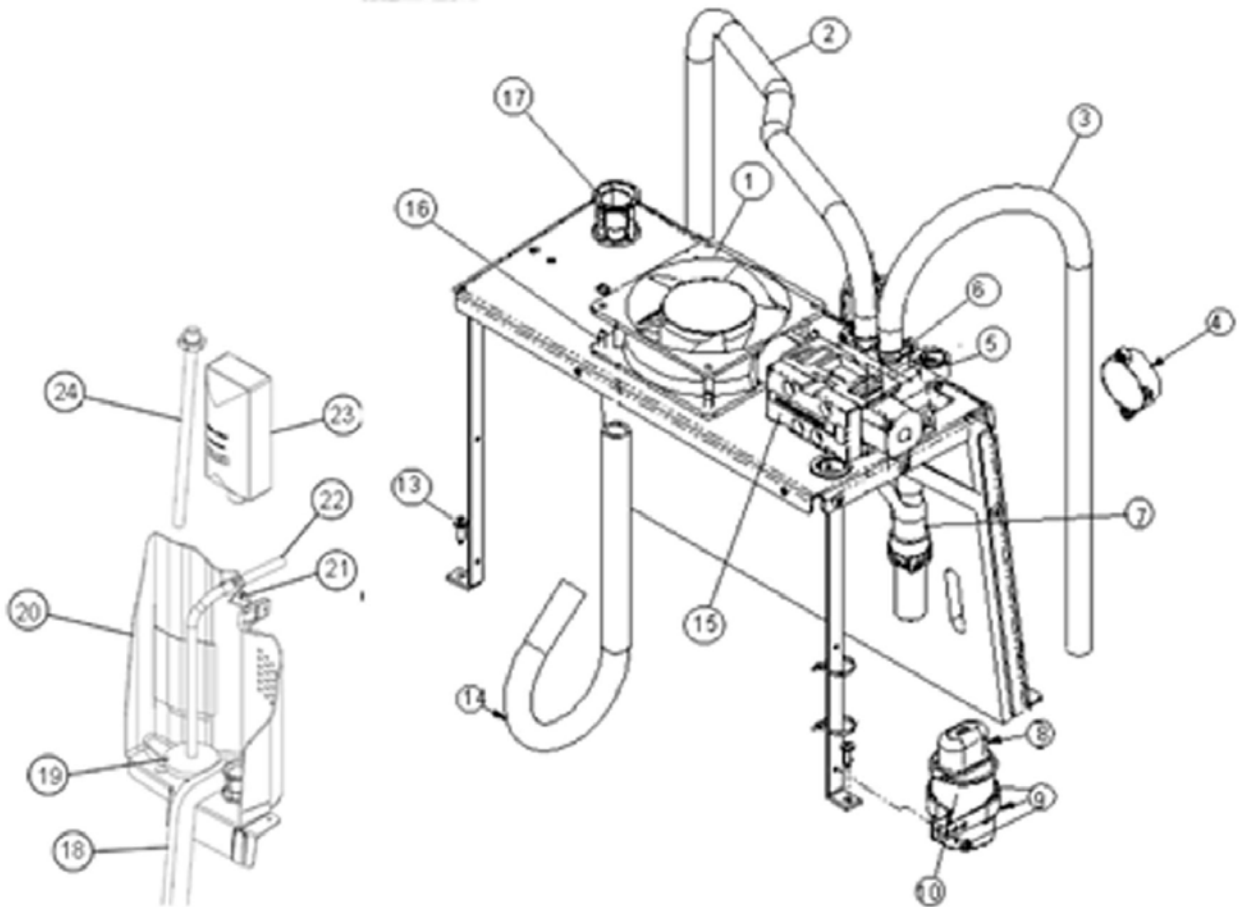
Compressor IRC5LXAW and IRC5LXO2AW

Item Number	Note	Part Number	Description	Quantity Per	
				Package	Assembly
1		1108819	Fitting, Elbow (1/2" Beaded Hose x 1/4" NPT)	1	1
2		1105504	Spring, Compressor Mount	1	4
3		1106446	Pin, Spring Retainer	1	4
4		1107411	Sheath, Pin	1	4
5	E	1119590	Heat Exchanger Assembly	1	1
6		1070050	Wrap, Tie	1	1
7		1108740	Retainer, Push (1/4")	1	1
8	D	1085696-NLA	Screw, Truss Head (1/4-20 x 1/2")	1	1
8		1128406	Screw, Phillips Head Tap (1/4-20 x 3/4")	1	1
9		1108824	Bumper, Bracket	1	3
10		1107406	Bracket, Compressor Restraint	1	1
11	B	1108092	Bracket, Compressor Restraint with Hardware	1	1
12		1085696	Screw, Truss Head (1/4-20 x 1/2")	1	1
13		1085697	Relief Valve with Patch Lock - 35 PSIG	1	1
		1121273-NLA	Fitting, Elbow (5/16 Tube x 1/4" NPT)	1	1
	A,C	1110825	Compressor with Mounting Hardware	1	1
	F	1109235	Kit, Compressor Rebuild	1	1
		1109234	Rebuild Kit	1	1
		1106658	Instruction Sheet	1	1

NOTE: A - Includes Compressor and items 1-5.
 B - Includes items 7-10.
 C - To be used with IRC5LXAW and IRC5LXO2AW.
 D - Item no longer available, refer to Part #1128406 for replacement.
 E - When replacing the Heat Exchanger you must also replace the PVC Elbow, see category titled "Sound Box Assembly" item #12 due to style change.
 F - Kit includes Rebuild Kit and Instruction Sheet.

Sound Box and Manifold

IRC5LXAW and IRC5LXO2AW



Sound Box and Manifold IRC5LXAW and IRC5LXO2AW

Item Number	Note	Part Number	Description	Quantity Per	
				Package	Assembly
1		1071657	Fan, Exhaust	1	1
2		1108783	Tubing (1/2 x 23")	1	1
3		1108784	Tubing (1/2 x 20-1/4")	1	1
4		2001765	Harness, Horn/Alarm	1	1
5	A,B	1108085	Manifold/ Valve Assembly	1	1
6		2001682	Wrap, Tie (8")	1	5
7		1110775	Muffler Assembly, Y-Tube	1	1
8		P0875X560	Boot, Terminal	1	1
9		2003019	Kit, Capacitor 15 MFD	1	1
		1068698	Capacitor, 15 MFD	1	1
		1027359	Clamp, Cap	1	1
		P0851X000	Screw, Phillips Pan Head (8-32 x 1/2")	1	1
		P0870X490	Washer, Flat (#8)	1	1
		P0870X400	Nut, Keps (#6-32)	1	1
		P0875X560	Boot, Terminal	1	1
		1006525	Cable Tie (3-7/8" Long)	1	1
		2003065	Screw, Phillips Hex Self Tap (#8-32 x 3/8")	1	1
		2001682	Wrap, Tie (8")	1	2
10		1068698	Capacitor, 15 MFD	1	1
11	C	P0876X026	Clamp, Hose	1	2
12	C,E	1121074	Elbow, PVC Formed (1/2 x 2-1/2 x 6")	1	1
12	C,F	1108822	Elbow, PVC Formed (1/2 x 2-1/2 x 2-1/2")	1	1
13		1108810	Screw (#10-16 x 5/8")	1	7
14		1119562	Tube, Compressor Inlet Assembly	1	1
15		1101141	Valve, 4-Way with Screws	1	1
	C	1101141R	Valve, Reconditioned	1	1
	C	1101141E	Kit, Valve - Warranty Replacement	1	1
		1101141R	Valve, Reconditioned	1	1
		1148726	Gasket	1	1
		1148727	Screw, Socket Head Cap (M5 x 51/64)	4	1
16		1110852	Screw, Phillips Pan Head (#10-24 x 1/2")	1	4
17		1106675	Coupling, Inlet Filter	1	1
18		2000812	Seal, Foam	1	2
19	G	P0750X030	Filter, HEPA Outlet	1	1
20		1115183	Partition	1	1
21		2003065-NLA	Screw, Phillips Hex Self Tap (#8-32 x 3/8")	1	1
21		1128404	Screw, Phillips Hex Head Tap (#8-32 x 3/8")	1	1
22		1108815	Tubing Silicon (1/4 x 16-1/4")	1	1
23	D	1108078-NLA	Filter, Inlet	1	1
23		1131249	Filter, Inlet Sound Reduced	1	1
24		1110768-NLA	Adaptor, Humidifier Bottle	1	1
24		2000799	Adapter with Tubing for Humidifier Bottle	1	1

Sound Box and Manifold IRC5LXAW and IRC5LXO2AW

NOTE: A - Manifold is not available as an item. Must order item 5, Manifold/Valve Assembly.
B - Includes items 2, 3, 6-8, 12 and 16.
C - Not Shown.
D - Item no longer available, refer to Part #1131249.
E - For use with Old Style Heat Exchanger only, Before 7/19/05.
F - For use with New Style Heat Exchanger only, After 7/18/05.
G - After 7/19/06 the Hepa Filter was moved to the inside of cabinet, located between the Flow Meter and the Patient Outlet Barb. See "Rear Control Panel" category to view reflective changes.

Invacare Corporation

www.invacare.com



Yes, you can.™

One Invacare Way
Elyria, Oh USA
44036-2125
800-333-6900

Technical Support
800-832-4707
Florida Technical Support
407-321-5630

Customer Service
800-333-6900

© 2007 Invacare Corporation, Elyria, Ohio.
All rights reserved. Trademarks are
identified by the symbols™ and®. All
trademarks are owned by or licensed to
Invacare Corporation unless otherwise
noted. Palnut is a registered trademark of
Transtechology Corporation. Information is
subject to change without notification.
(Revised 8/22/07)

Form No. 03-036