

Spare Parts Catalogue

Version: 2012/12/05a EN



Invacare® ScanBeta™_{NG}



Yes, you can.®

General Information

For any order of spare parts the following information is required:

- Product type*
- Product name & model*
- Serial Number*
- Part-Number*
- Part-Description*

Exploded view drawings and code numbers are not contractual and subject to modification, in relation to Invacare® continuous product improvement policy to meet end users needs.

The reproduction or use of this work, or of any substantial part of this work, in any form or by any electronic, mechanical or other means, including photocopying, scanning and recording, and in any information storage and retrieval system, including electronic transmission, is forbidden without the prior written permission of Invacare® International Sarl.



Yes, you can.[®]

TABLE OF CONTENTS

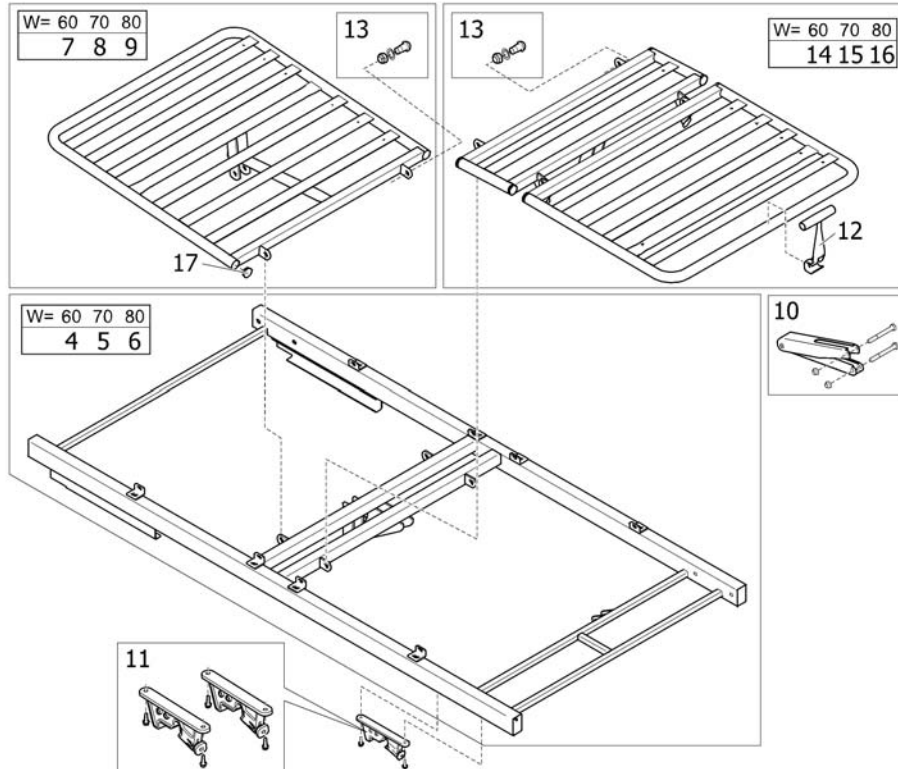
Mattress supports	5
Mattress support	6
Bases	7
Base	8
Castors and brake systems	9
Central brake systems	10
Braking castor ø100 mm	11
Bed end plates	12
Bed ends	13
Electrical parts	14
Motors	15
Hand control, ScanBeta NG	16
Side rails	17
Bed side, fixed, bars, beech	18
Bed side, downwards-slidable, bars, beech	19
Bed side, doors, bars, beech	20
Bed side, foldable doors, bars, beech	21
Lifting pole	22
Lifting pole	23
Accessories	24
Support handle	25

Mattress supports

Pos.	Part number	Description	Valid from → until	Qty
1	-	Mattress support		0

Mattress support

W x L	
60x140	1
70x160	2
80x180	3



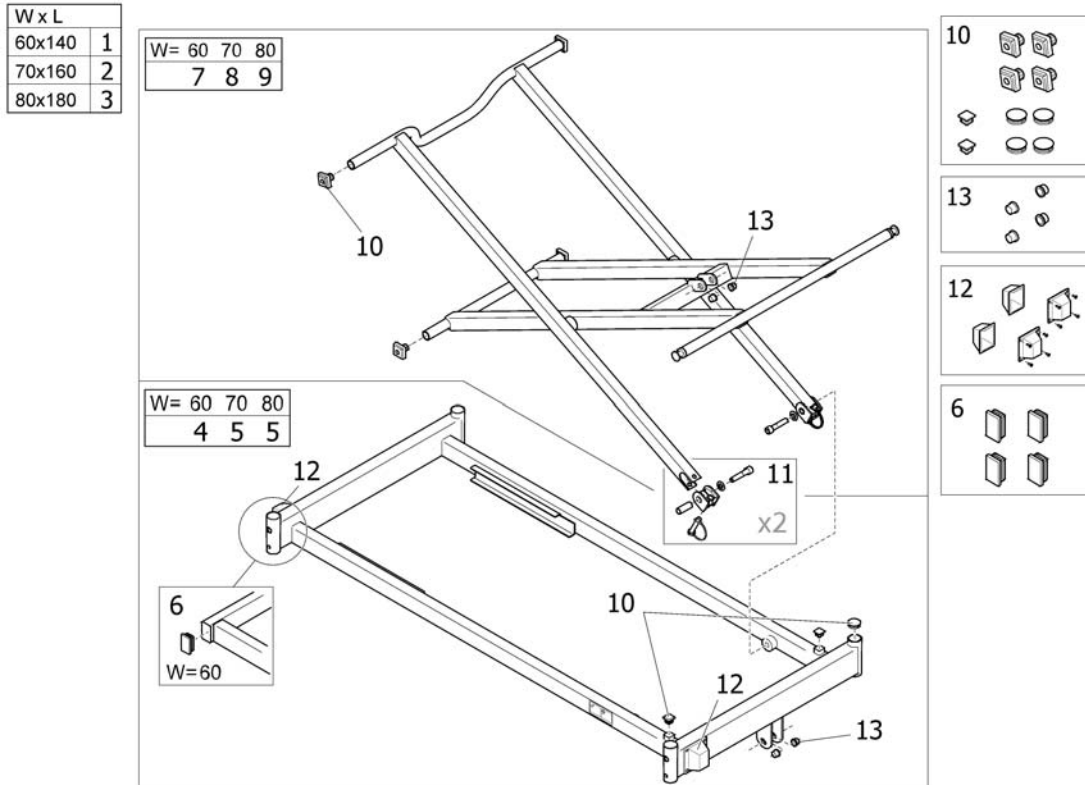
SPR150428Z

Pos.	Part number	Description	Valid from → until	Qty
1	1555625-1013	Topframe 60x140 Scanbeta		1
2	1554525-1013	Topframe/mattress support 70x160 Scanbeta NG		1
3	1555379-1013	Topframe/mattress support 80x180 Scanbeta NG		1
4	1552673-1013	Topframe 60x140, scanbeta NG		1
5	1551775-1013	Topframe 70x160 welded, scanbeta NG		1
6	1552021-1013	Topframe 80x180 welded, scanbeta NG		1
7	1554541	Backrest 60cm cpl.		1
8	1554542	Backrest 70cm cpl.		1
9	1554543	Backrest 80cm cpl.		1
10	1554662	Rastofix cpl., Leg section		1
11	1554544	Locking device		1
12	217996-7035	Handle for leg section RAL 7035		1
13	1435195	Rivet replacement kit (screw and nut)		1
14	1554545	Legrest 60cm cpl.		1
15	1554546	Legrest 70cm cpl.		1
16	1554702	Legrest 80cm cpl.		1
17	1554703	Kit, plug Ø25, grey		1

Bases

Pos.	Part number	Description	Valid from → until	Qty
1	-	Base		0

Base




1001551546

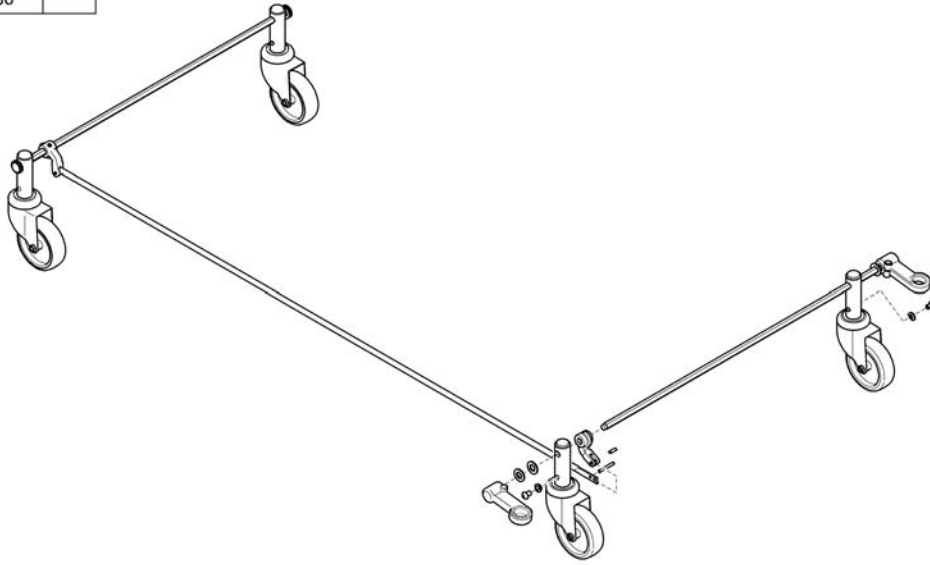
Pos.	Part number	Description	Valid from → until	Qty
1	1555626-1013	Base and sheararms 60cm Scanbeta NG		1
2	1554623-1013	Base and sheararms 70cm Scanbeta NG		1
3	1555380-1013	Base and sheararms 80cm Scanbeta NG		1
4	1555059	Base 60cm cpl.		1
5	1555060	Base 70-80cm cpl.		1
6	1555061	Kit, cap 50x30x3mm, grey		1
7	1555062	Shear 60cm cpl.		1
8	1555063	Shear 70cm cpl.		1
9	1555064	Shear 80cm cpl.		1
10	1555065	Kit, Plastic parts		1
11	1555066	Kit, Swivel joint		1
12	1555067	Kit, Cover, central brake		1
13	1555068	Kit, Bearing Spacer		1

Castors and brake systems

Pos.	Part number	Description	Valid from → until	Qty
1	-	Central brake systems		0
2	-	Braking castor ø100 mm		1

Central brake systems

	
70x160	1
80x180	

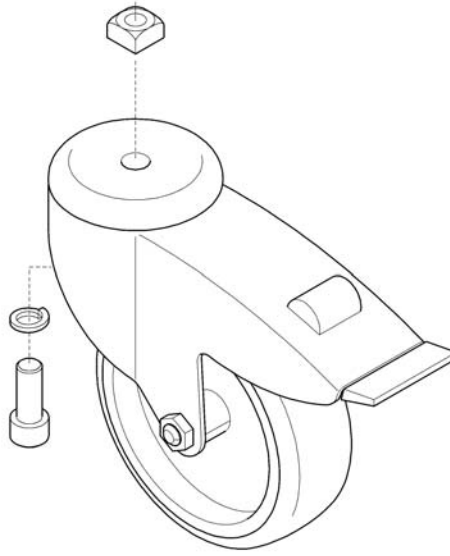


SPS155424

Pos.	Part number	Description	Valid from → until	Qty
1	1554624	Central braking system, 100mm wheels, Scanbeta NG		1

Braking castor ø100 mm

1



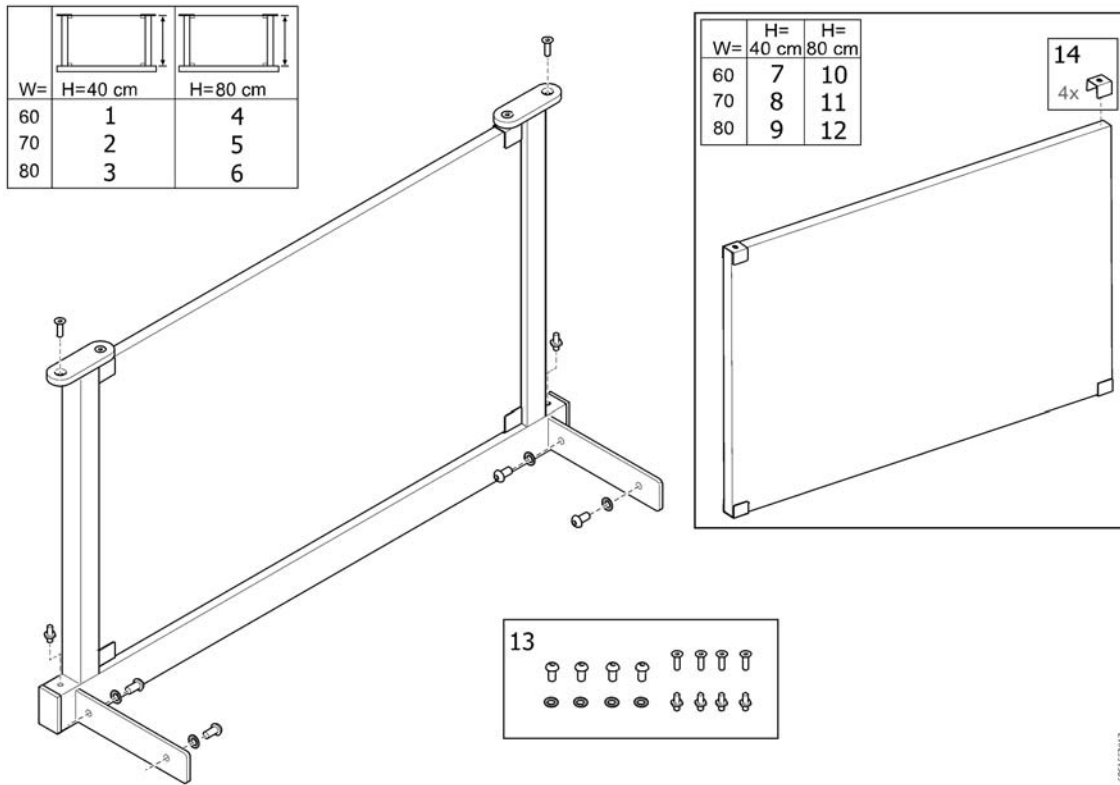
1000000000

Pos.	Part number	Description	Valid from → until	Qty
1	1434018	BRAKING CASTOR, 100 MM		1

Bed end plates

Pos.	Part number	Description	Valid from → until	Qty
1	-	Bed ends		0

Bed ends

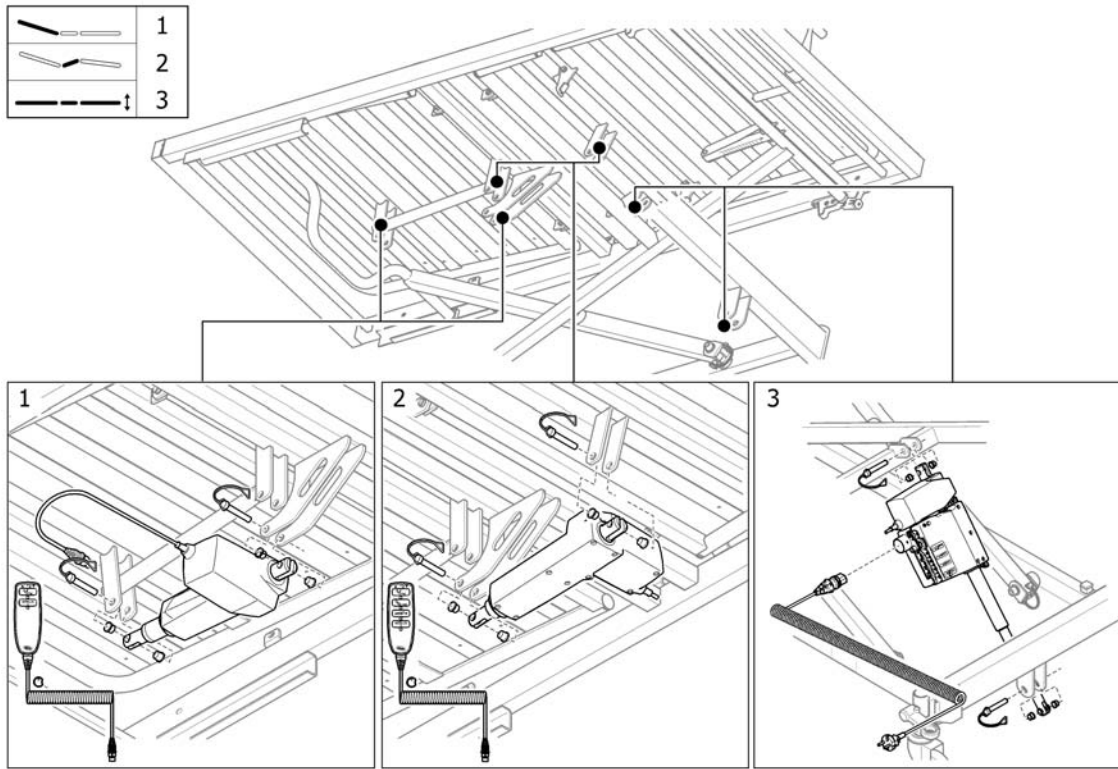


SPS153017

Pos.	Part number	Description	Valid from → until	Qty
1	1553917-6040-S1	Bed-ends 60x40 beech for Scanbeta NG		1
2	1553917-7040-S1	Bed-ends 70x40 beech for Scanbeta NG		1
3	1553917-8040-S1	Bed-ends 80x40 beech for Scanbeta NG		1
4	1553917-6080-S1	Bed-ends 60x80 beech for Scanbeta NG		1
5	1553917-7080-S1	Bed-ends 70x80 beech for Scanbeta NG		1
6	1553917-8080-S1	Bed-ends 80x80 beech for Scanbeta NG		1
7	1555406-S1	Bed end 60x40 Scanbeta w brackets		1
8	1544531-S1	Bed end 70x40cm scanbeta		1
9	1555407-S1	Bed end 80x40 Scanbeta w brackets		1
10	1555537-S1	Bed end 60x80 Scanbeta w brackets		1
11	1555520-S1	Bed end 70x80 Scanbeta w brackets		1
12	1555427-S1	Bed end 80x80 Scanbeta w brackets		1
13	1554539	Screw kit, bed end and sides, ScanBeta		1
14	1558624-1013	U-bracket 4-pack, bed end, Scanbeta NG		1

Electrical parts

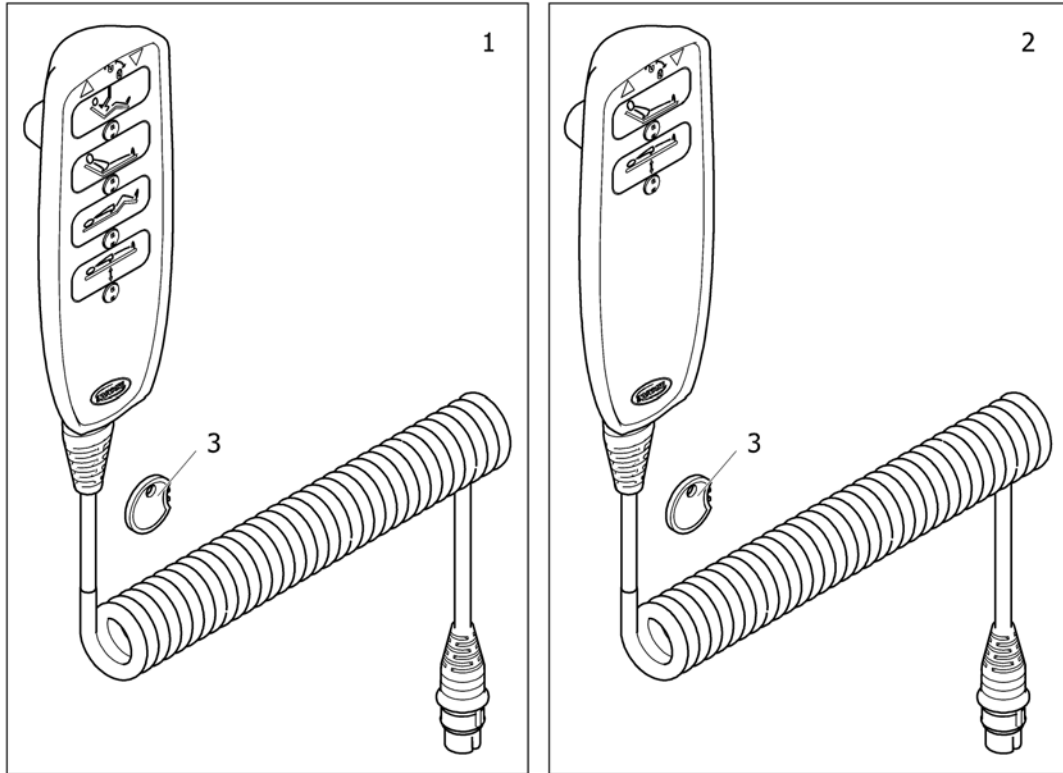
Pos.	Part number	Description	Valid from → until	Qty
1	-	Motors		0
2	-	Hand control, ScanBeta NG		1



SP51423901

Pos.	Part number	Description	Valid from → until	Qty
1	1557627	Part not for sale		1
2	1557628	Part not for sale		1
3	1555378	Actuator height adj./control box		1

Hand control, ScanBeta NG


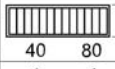


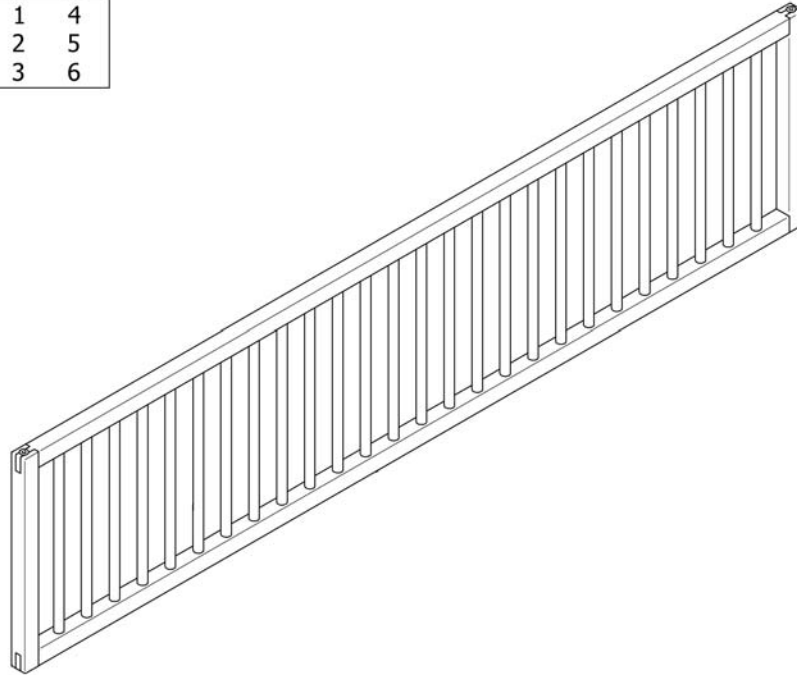
Pos.	Part number	Description	Valid from → until	Qty
1	1548740-7035	Handcontrol hight/back/thigh, Scanbeta NG		1
2	1548738-7035	Handcontrol hight and back, scanbeta HL82		1
3	1493529	Blocking key for hand control HL80		1

Side rails

Pos.	Part number	Description	Valid from → until	Qty
1	-	Bed side, fixed, bars, beech		1
1	-	Bed side, downwards-slidable, bars, beech		1
1	-	Bed side, doors, bars, beech		1
1	-	Bed side, foldable doors, bars, beech		1

Bed side, fixed, bars, beech


	
60x140	1 4
70x160	2 5
80x180	3 6

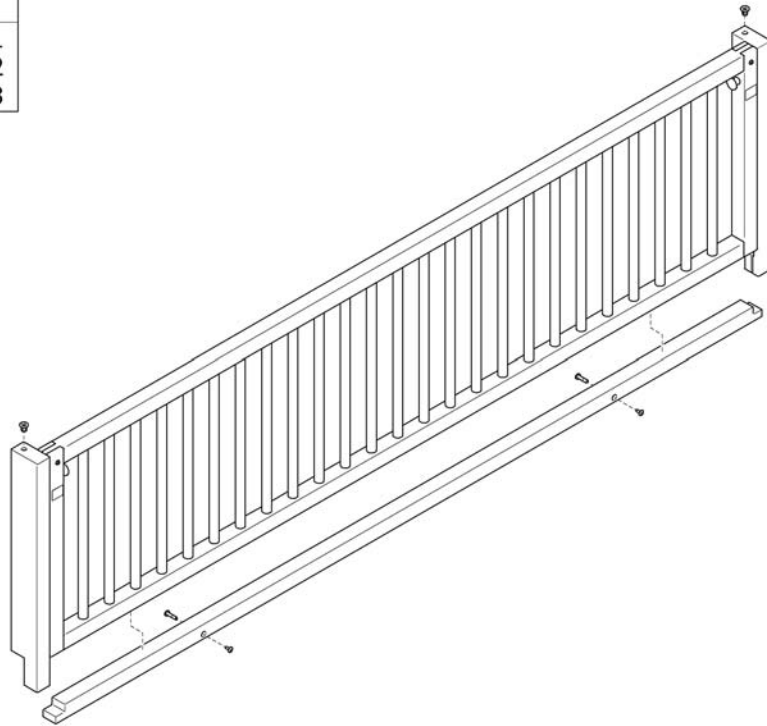


SPS 154452

Pos.	Part number	Description	Valid from → until	Qty
1	1553978-14040-01	Side-rails fixed bars NG beech 140x40cm		1
2	1553978-16040-01	Side-rails fixed bars NG beech 160x40cm		1
3	1553978-18040-01	Side-rails fixed bars NG beech 180x40cm		1
4	1553978-14080-01	Side-rails fixed bars NG beech 140x80cm		1
5	1553978-16080-01	Side-rails fixed bars NG beech 160x80cm		1
6	1553978-18080-01	Side-rails fixed bars NG beech 180x80cm		1

Bed side, downwards-slidable, bars, beech

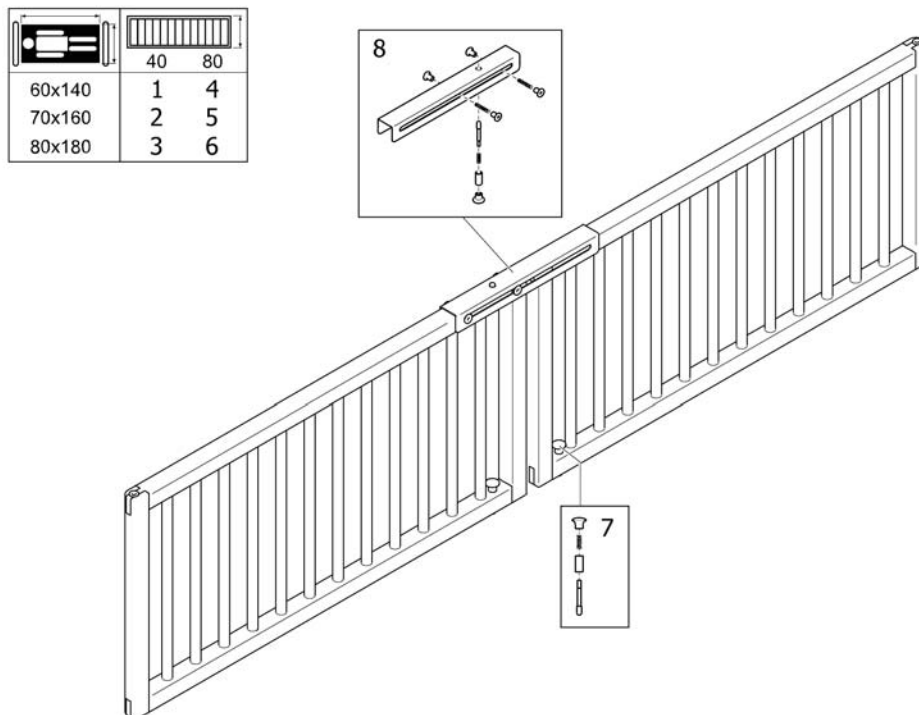
	
40x140	1
40x160	2
40x180	3



SP1156004

Pos.	Part number	Description	Valid from → until	Qty
1	1554522-14040-01	Side-rails lowerable bars beech 40x140cm scanbeta NG		1
2	1554522-16040-01	Side-rails lowerable bars beech 40x160cm scanbeta NG		1
3	1554522-18040-01	Side-rails lowerable bars beech 40x180cm scanbeta NG		1

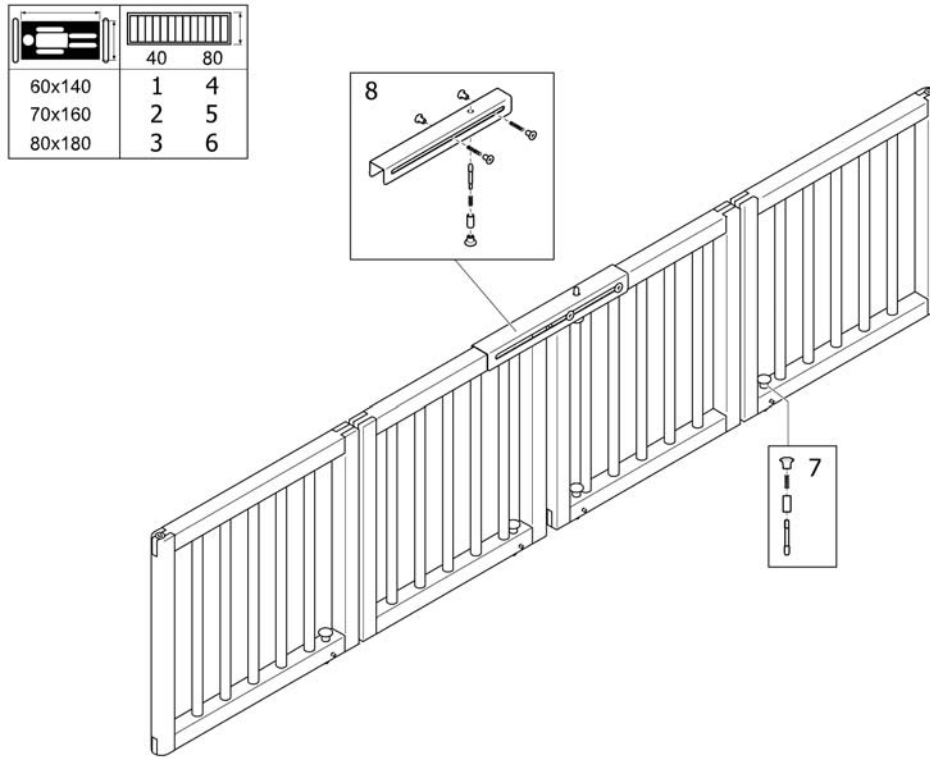
Bed side, doors, bars, beech



SPS 154452

Pos.	Part number	Description	Valid from → until	Qty
1	1553928-14040-S1	Side-rails doors bars NG, beech 140x40cm		1
2	1553928-16040-S1	Side-rails doors bars NG, beech 160x40cm		1
3	1553928-18040-S1	Side-rails doors bars NG, beech 180x40cm		1
4	1553928-14080-S1	Side-rails doors bars NG, beech 140x80cm		1
5	1553928-16080-S1	Side-rails doors bars NG, beech 160x80cm		1
6	1553928-18080-S1	Side-rails doors bars NG, beech 180x80cm		1
7	1558549	Locking pin cpl., long.		2
8	1558647	Locking device cpl., Bed Side, ScanBeta NG		1

Bed side, foldable doors, bars, beech



SPS1553000

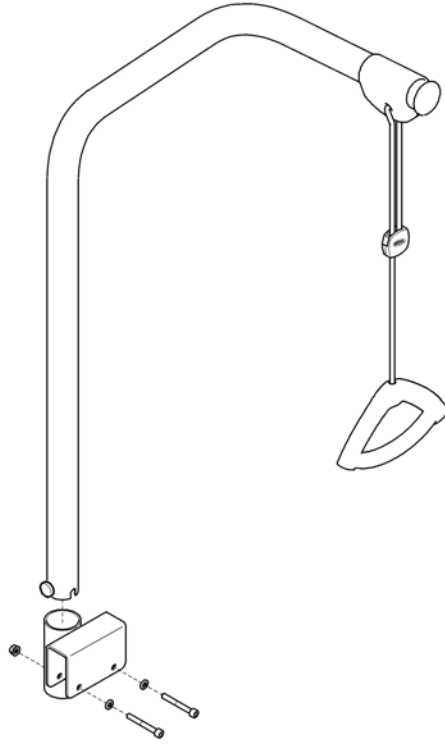
Pos.	Part number	Description	Valid from → until	Qty
1	1553945-14040-S1	Side-rails foldable doors bars NG,beech 140x40		1
2	1553945-16040-S1	Side-rails foldable doors bars NG,beech 160x40		1
3	1553945-18040-S1	Side-rails foldable doors bars NG,beech 180x40		1
4	1553945-14080-S1	Side-rails foldable doors bars NG,beech 140x80		1
5	1553945-16080-S1	Side-rails foldable doors bars NG,beech 160x80		1
6	1553945-18080-S1	Side-rails foldable doors bars NG,beech 180x80		1
7	1558549	Locking pin cpl., long.		4
8	1558647	Locking device cpl., Bed Side, ScanBeta NG		1

Lifting pole

Pos.	Part number	Description	Valid from → until	Qty
1	-	Lifting pole		1

Lifting pole

1



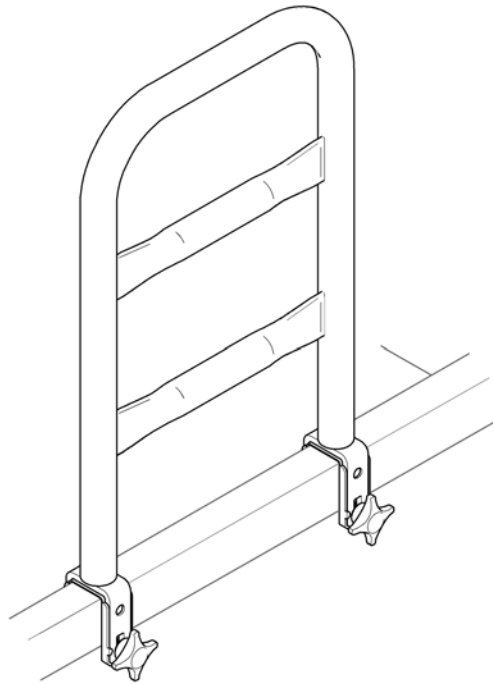
SP1103279

Pos.	Part number	Description	Valid from → until	Qty
1	1557793-1013	Lifting pole incl. attachment, ScanBetaNG		1

Accessories

Pos.	Part number	Description	Valid from → until	Qty
1	-	Support handle		0

1



SP51552638

Pos.	Part number	Description	Valid from → until	Qty
1	1552638-1013	SUPPORT HANDLE		1



Yes, you can.®



Belgium & Luxemburg:

Invacare nv, Autobaan 22, B-8210 Loppem
Tel: (32) (0)50 83 10 10, Fax: (32) (0)50 83 10 11
belgium@invacare.com / www.invacare.be

Denmark:

Invacare AIS, Sdr. Ringvej 37, DK-2605 Brøndby
Tel: (45) (0)36 90 00 00, Fax: (45) (0)36 90 00 01
denmark@invacare.com / www.invacare.dk

Deutschland:

Invacare Aquatec GmbH, Alemannenstraße 10, D-88316 Isny
Tel: (49) (0)75 62 7 00 0, Fax: (49) (0)75 62 7 00 66
info@invacare-aquatec.com / www.invacare-aquatec.de

European Distributor Organisation:

Invacare, Kleiststraße 49, D-32457 Porta Westfalica
Tel: (49) (0)57 31 754 540, Fax: (49) (0)57 31 754 541
edo@invacare.com / www.invacare.eu.com

España:

Invacare SA, c/Areny s/n, Polígon Industrial de Celrà, E-17460 Celrà (Girona)
Tel: (34) (0)972 49 32 00, Fax: (34) (0)972 49 32 20
contactsp@invacare.com / www.invacare.es

France:

Invacare Poirier SAS, Route de St Roch, F-37230 Fondettes
Tel: (33) (0)2 47 62 64 66, Fax: (33) (0)2 47 42 12 24
contactfr@invacare.com / www.invacare.fr

Ireland:

Invacare Ireland Ltd, Unit 5 Seatown Business Campus, Seatown Road, Swords, County Dublin - Ireland
Tel: (353) 1 810 7084, Fax: (353) 1 810 7085
ireland@invacare.com / www.invacare.ie

Italia:

Invacare Mecc San s.r.l., Via dei Pini 62, I-36016 Thiene (VI)
Tel: (39) 0445 38 00 59, Fax: (39) 0445 38 00 34
italia@invacare.com / www.invacare.it

Nederland:

Invacare BV, Celsiusstraat 46, NL-6716 BZ Ede
Tel: (31) (0)318 695 757, Fax: (31) (0)318 695 758
nederland@invacare.com, csede@invacare.com / www.invacare.nl

Norge:

Invacare AS, Grensesvingen 9, Postboks 6230, Etterstad, N-0603 Oslo
Tel: (47) (0)22 57 95 00, Fax: (47) (0)22 57 95 01
norway@invacare.com, island@invacare.com / www.invacare.no

Österreich:

Invacare Austria GmbH, Herzog Odilostrasse 101, A-5310 Mondsee
Tel: (43) 6232 5535 0, Fax: (43) 6232 5535 4
info-austria@invacare.com / www.invacare.at

Portugal:

Invacare Lda, Rua Estrada Velha, 949, P-4465-784 Leça do Balio
Tel: (351) (0)225 1059 46/47, Fax: (351) (0)225 1057 39
portugal@invacare.com / www.invacare.pt

Sverige & Suomi:

Invacare AB, Fagerstagatan 9, S-163 91 Spånga
Tel: (46) (0)8 761 70 90, Fax: (46) (0)8 761 81 08
sweden@invacare.com, finland@invacare.com / www.invacare.se

Switzerland:

Invacare AG, Benkenstrasse 260, CH-4108 Witterswil
Tel: (41) (0)61 487 70 80, Fax: (41) (0)61 487 70 81
switzerland@invacare.com / www.invacare.ch

United Kingdom:

Invacare Limited, Pencoed Technology Park, Pencoed, Bridgend CF35 5AQ
Switchboard Tel: (44) (0)1656 776200, Fax: (44) (0)1656 776201
Customer services Tel: (44) (0)1656 776222, Fax: (44) (0)1656 776220
uk@invacare.com / www.invacare.co.uk