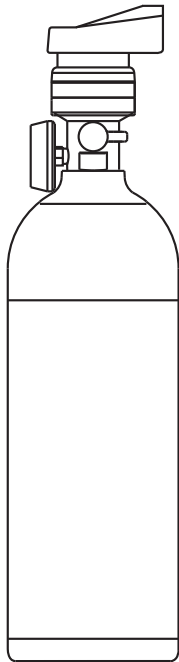


Operator's Manual

HomeFill® II **Oxygen Conserving** **Cylinder**

HF2PCE6
HF2PCE9



Dealer: This manual
MUST be given to the
end user.

User: Before using this
cylinder, read this
manual and save for
future reference.

**For more information regarding
Invacare products, parts, and services,
please visit www.invacare.com**



Yes, you can.®

⚠ WARNING

DO NOT OPERATE THIS EQUIPMENT WITHOUT FIRST READING AND UNDERSTANDING THIS MANUAL. IF YOU ARE UNABLE TO UNDERSTAND THE WARNINGS, CAUTIONS, AND INSTRUCTIONS, CONTACT A HEALTHCARE PROFESSIONAL, DEALER OR A QUALIFIED TECHNICIAN BEFORE ATTEMPTING TO USE THIS EQUIPMENT - OTHERWISE INJURY OR DAMAGE MAY RESULT.

⚠ WARNING

Invacare products are specifically designed and manufactured for use in conjunction with Invacare accessories. Accessories designed by other manufacturers have not been tested by Invacare and are not recommended for use with Invacare products.

⚠ DANGER

DO NOT SMOKE while using this device. Keep all matches, lighted cigarettes or other sources of ignition out of the room in which this product is located and away from where oxygen is being delivered.

Textiles and other materials that normally would not burn are easily ignited and burn with great intensity in oxygen enriched air. Failure to observe this warning can result in severe fire, property damage and cause physical injury or death.

NOTE: The information contained in this document is subject to change without notice.

NOTE: Updated versions of this manual are available on www.invacare.com.

TABLE OF CONTENTS

SPECIAL NOTES	4
RECEIVING INSPECTION	4
INTENDED USE	4
SECTION 1—GENERAL GUIDELINES	6
SECTION 2—FEATURES	10
SECTION 3—TYPICAL PRODUCT PARAMETERS .	11
SECTION 4—INSPECTION AND COMPRESSOR INTERFACE	12
Cylinder Prefill Inspection	12
Connecting/Disconnecting the Cylinder to/from the Compressor.....	16
SECTION 5—OPERATING INSTRUCTIONS	22
SECTION 6—MAINTENANCE	24
Replacement Parts – Accessories.....	24
SECTION 7—CYLINDER FILL TIMES	25
Troubleshooting	25
WARRANTY INFORMATION	26

SPECIAL NOTES

Signal words are used in this manual and apply to hazards or unsafe practices which could result in personal injury or property damage. Refer to the following table for definitions of the signal words.

SIGNAL WORD	MEANING
DANGER	Danger indicates an imminently hazardous situation which, if not avoided, will result in death or serious injury.
WARNING	Warning indicates a potentially hazardous situation which, if not avoided, could result in death or serious injury.
CAUTION	Caution indicates a potentially hazardous situation which, if not avoided, may result in property damage.

RECEIVING INSPECTION

Remove product from package and inspect for damage. If there is any damage, DO NOT use. Contact your dealer/ Home Care equipment provider.

INTENDED USE

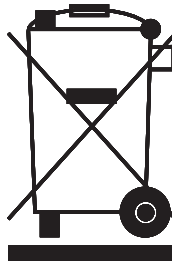
To store, regulate, and deliver supplemental oxygen to patients who may have difficulty extracting oxygen from the air they breathe. It is for patients who would normally receive the oxygen via a nasal cannula. The device delivers USP 93% oxygen at a number of different flow/pulse settings. It is intended to be used as an oxygen saving device that may reduce the drying out of the airways.

This product has been supplied from an environmentally aware manufacturer that complies with the Waste Electrical and Electronic Equipment (WEEE) Directive 2002/96/CE.

This product may contain substances that could be harmful to the environment if disposed of in places (landfills) that are not appropriate according to legislation.

The 'crossed out wheelee bin' symbol is placed on this product to encourage you to recycle wherever possible.

Please be environmentally responsible and recycle this product through your recycling facility at its end of life.



SECTION I—GENERAL GUIDELINES

WARNING

SECTION I - GENERAL GUIDELINES contains important information for the safe operation and use of this product. **DO NOT** use this product or any available optional equipment without first completely reading and understanding these instructions and any additional instructional material such as **Owner's Manuals, Service Manuals or Instruction Sheets** supplied with this product or optional equipment. If you are unable to understand the **Warnings, Cautions or Instructions**, contact a health care professional, dealer or technical personnel before attempting to use this equipment - otherwise, injury or damage may occur.

WARNING

Only personnel instructed and trained in the use of the HomeFill II O2 Conserving Cylinder should operate this product.

Product contains magnetic, ferrous material that may affect the results of an MRI.

Be sure all connections are tight and leak free.

DO NOT use a liquid leak detector to test for leaks.

DO NOT autoclave.

DO NOT gas sterilize with ethylene oxide.

DO NOT clean with aromatic hydrocarbons.

DO NOT attempt to repair product.

DO NOT immerse product in any kind of liquid.

Store product in a clean area when not in use.

⚠ WARNING

Only use Invacare Corporation carrying bag HF2PC9BAG carrying bag.

NEVER smoke in an area where oxygen is being administered.

ALWAYS confirm prescribed dose before administering to patient and monitor on a frequent basis.

DO NOT use if dirt or contaminants are present on or around cylinder, valve, product or connecting devices.

NEVER use near any type of flame or flammable/explosive substances, vapours or atmosphere.

NO OXYGEN is delivered when the pointer is aligned with “Off”.

DO NOT block the outlet fitting or kink the cannula when the product is in use, as this may damage the unit.

The use of this device is limited to the oxygen patient. Cylinders MUST be used only by the oxygen patient and are not to be distributed to any other individual for any purpose.

This product is NOT to be used by patients who breathe through their mouths.

DO NOT allow oil from your hands or other sources to come into contact with the compressor coupling or bottle fittings. These substances may become flammable in the presence of oxygen and cause injury. Avoid touching the bottle fitting whenever possible. Example of items to avoid are hand creams or lotions, cooking oils, suntan oils or sunblocks and similar oily products. If you use these types of products Invacare suggests you wash your hands prior to using the HomeFill II unit. If the bottle fitting should come in contact with such substances it should be cleaned off with a damp cloth prior to connecting it to the compressor.

⚠ WARNING

NEVER oil or lubricate the compressor coupler or bottle fittings. NEVER use any penetrating oil or lubricant such as WD-40 or 3 in One. If connection difficulty is experienced verify that the bottle fitting is being inserted straight down into the compressor coupler. If continued difficulty is experienced contact your supplier for assistance.

DO NOT use a humidifier with this product.

DO NOT allow cylinders to tip or fall. Secure gas cylinders so they cannot fall. Ensure cylinder is always in upright position.

DO NOT store cylinders near sources of heat or flame.

This product is equipped with a relief valve. If you hear a loud hissing or popping sound coming from the product, discontinue use of product, turn the flow selector to the “Off” position, and contact your dealer/Home Care equipment provider.

DO NOT use while sleeping without consulting your healthcare provider.

This product is designed to operate with a standard single lumen, adult oxygen nasal cannula with a maximum length of 2.1 m (7 ft).

The cannula is for single patient use only.

Cannula MUST be installed on outlet connection prior to use.

DO NOT place the unit under clothing while in use. When this product is in use a small amount of oxygen is vented. Wearing the unit under clothing may saturate fabrics with oxygen and cause them to burn rapidly if exposed to sparks or flame. It may take several hours for oxygen levels in fabrics to return to normal.

⚠ WARNING

DO NOT use IOH200AW, HomeFill II unit, to fill cylinder outdoors or anywhere below 13°C (55°F).

SECTION 2—FEATURES

⚠ DANGER

This product is not intended as a life-sustaining or life-supporting device.

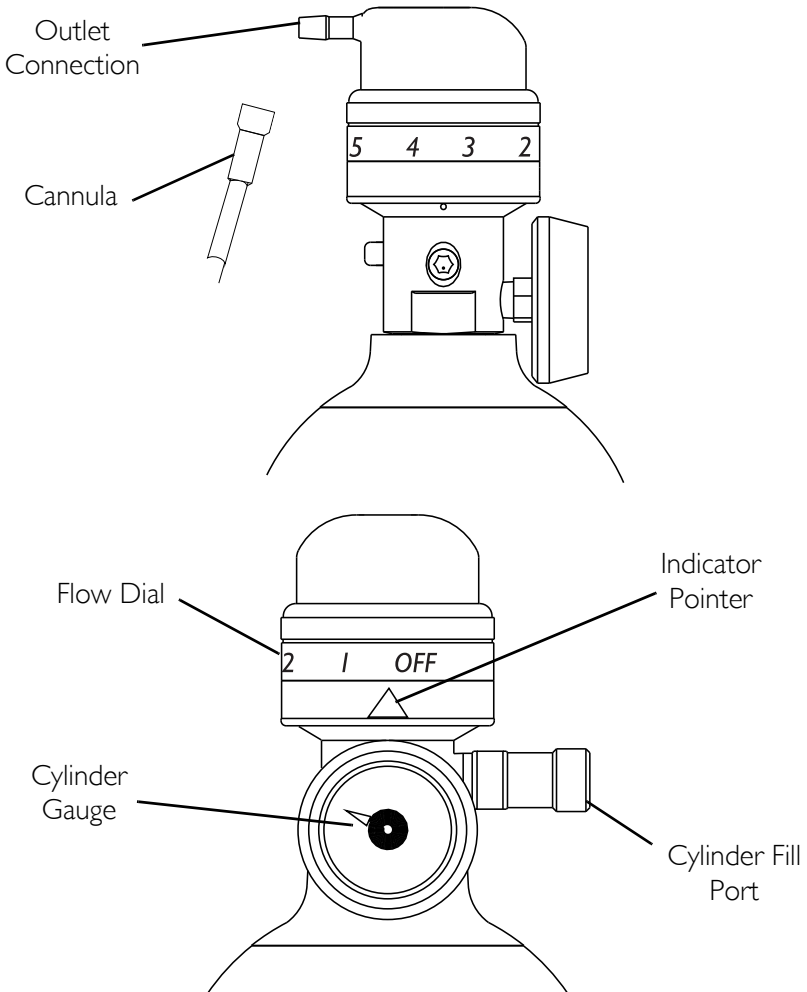


FIGURE 2.1 Product Diagram

SECTION 3—TYPICAL PRODUCT PARAMETERS

INLET PRESSURE RANGE:	2068 kpa - 14479 kpa (300 - 2100 psig)
INTERNAL REGULATED PRESSURE:	345 kpa (50 psig)
DIMENSIONS:	HF2PCE6 - 1.0 Liters HF2PCE9 - 1.7 Liters
HF2PCE6: WEIGHT	1.86 kg (4.1 lbs)
HF2PCE6: OVERALL LENGTH	27.7 cm (10.9 in)
HF2PCE6: DIAMETER	11.1 cm (4.4 in)
HF2PCE9: WEIGHT	2.31 kg (5.1 lbs)
HF2PCE9: OVERALL LENGTH	35.5 cm (14 in)
HF2PCE9: DIAMETER	11.1 cm (4.4 in)
PULSE SETTINGS:	1, 2, 3, 4 and 5
FLOW SETTINGS:	2 LPM Continuous
SAVINGS RATIO:	Up to 5.7:1
CANNULA REQUIREMENT:	1.21 m (4 ft) recommended (MS0204) 2.1 m (7 ft) long maximum standard adult single lumen oxygen nasal cannula
OPERATING CONDITIONS	
TEMPERATURE	
PULSE:	1.7° C (35° F) to 40.6° C (105° F)
CONTINUOUS:	-17° C (0° F) to 40.6° C (105° F)
ALTITUDE:	0 to 3071 m (0 to 10,000 ft)
STORAGE CONDITIONS	
TEMPERATURE:	-40° C (-40° F) to 60° C (140° F)
MAXIMUM HUMIDITY:	95%
PRODUCT CLASSIFICATION:	Class IIB
REGULATORY LISTING:	In compliance with the medical device directive 93/42/EEC

SECTION 4—INSPECTION AND COMPRESSOR INTERFACE

NOTE: Refer to the HomeFill II owner's manual for compressor operating instructions.

Cylinder Prefill Inspection

DANGER

Improper filling or abuse of this cylinder, or failure to follow these safety instructions may cause serious bodily injury or death. High pressure oxidizing gas vigorously accelerates combustion.

DO NOT alter or modify cylinder or related components.

DO NOT use oil or grease. Keep cylinder, cylinder valve, all equipment and connections free of oil and grease to avoid violent ignition resulting in serious bodily injury or death.

WARNING

For medical applications, use only as directed by a licensed practitioner. Uninterrupted use of high concentrations of oxygen over a long duration, without monitoring its effect on oxygen content of arterial blood, may be harmful.

Oxygen cylinders filled by the HomeFill II shall be used for personal use only. “Not to be filled for resale or use by professional users”.

This cylinder is to be used with the HomeFill II system. This cylinder contains 93±3% oxygen produced by an oxygen concentration using the pressure swing adsorption process.

DO NOT handle cylinder or use contents until you are professionally trained, including emergency procedures.

⚠ WARNING

Use this cylinder in accordance with the HomeFill II owner's manual. Open valve slowly, Close valve after each use and when empty. Secure cylinder during storage and use. No smoking in cylinder area. Keep away from heat, flame or spark. Keep out of the reach of children. **DO NOT** drop.

Transfilling of this gas is performed by HomeFill II only.

Cylinders that have been refinished and/or exposed to elevated temperatures **MUST** be hydrostatically tested before filling. Cylinder temperature should not exceed 52° C (125° F). Aluminum cylinders subject to the action of fire or heated temperatures in excess of 177° C (350° F) **MUST** be withdrawn from service and condemned by trained personnel. **DO NOT** use caustic paint strippers. Valve and safety relief devices **MUST** be removed and replaced by trained and authorized personnel. **DO NOT** alter or change valve assembly.

All cylinders **MUST** be inspected before attempting to fill; otherwise, injury or damage may occur.

NEVER smoke in an area where oxygen is being administered.

NEVER use near any type of flame or flammable/explosive substances, vapours or atmosphere.

NOTE: For this procedure, refer to FIGURE 4.1.

The Hydrostatic Testing Date

Aluminum cylinders **MUST** undergo testing every five years.

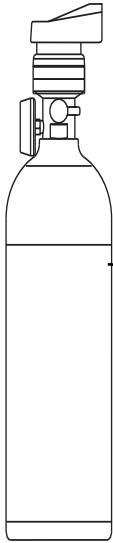
⚠ WARNING

DO NOT fill cylinders that have not been tested in the past five years. Otherwise, serious personal injury may result. Contact your dealer for replacement.

External Examination

1. Examine the outside of the cylinder for the following conditions, and replace the cylinder if they exist:
 - Dents or dings
 - Arc burns
 - Oil or grease
 - Any other signs of damage that might cause a cylinder to be unacceptable or unsafe for use.
2. Examine the cylinder for evidence of fire or thermal damage. Evidence includes charring or blistering of the paint, or other protective coating or heat sensitive indicator. If fire or thermal damage is found, replace the cylinder.
3. Inspect the cylinder fillport for the following:
 - Debris, oil or grease
 - Noticeable signs of damage
 - Signs of corrosion inside the valve
 - Signs of excessive heat or fire damage

NOTE: DO NOT use the cylinder if any of these items are found. Contact your dealer for replacement.



Warning Label

This cylinder is to be used with the HomeFill II system.
This cylinder contains 93±3% oxygen.
Keep cylinder in a well ventilated place.
Keep away from combustible material.
Keep free from oil and grease.
Refer to the HomeFill II owner's manual for additional warnings, cautions and safety instructions.

FIGURE 4.1 External Examination

Connecting/Disconnecting the Cylinder to/from the Compressor

Connecting the Cylinder to the Compressor

⚠ WARNING

NEVER use tools of any kind to connect/disconnect the cylinder and the compressor. Otherwise, severe injury and/or damage may occur.

DO NOT drop oxygen cylinders. Use two hands when handling/transporting oxygen cylinders. Otherwise, injury or damage may occur.

DO NOT use a liquid leak detector to test for leaks.

NOTE: For this procedure, refer to FIGURE 4.2 and FIGURE 4.3.

1. Examine the cylinder gauge. If the cylinder pressure is less than 10342 kpa (1500 psig), proceed to STEP 2 (FIGURE 4.3).

NOTE: If the cylinder pressure is greater than 10342 kpa (1500 psig), DO NOT attempt to top off this cylinder. It may not fill.

2. Set the regulator flow dial on the cylinder to Off (FIGURE 4.3).
 3. Remove the cylinder and connector fillport covers.
-

CAUTION

DO NOT connect the outlet (cannula) connection to the HomeFill II unit, otherwise the conserving cylinder will not work properly.

4. Momentarily push DOWN on the outer ring (sleeve) of the connector fillport to reset the connector as shown in FIGURE 4.2.

NOTE: If the outer ring (sleeve) is in the UP position (GREEN dots not visible), the connector fillport will not be able to accept the cylinder fillport. Pushing DOWN momentarily will reset the connector fillport (GREEN dots visible) to accept the cylinder fillport.

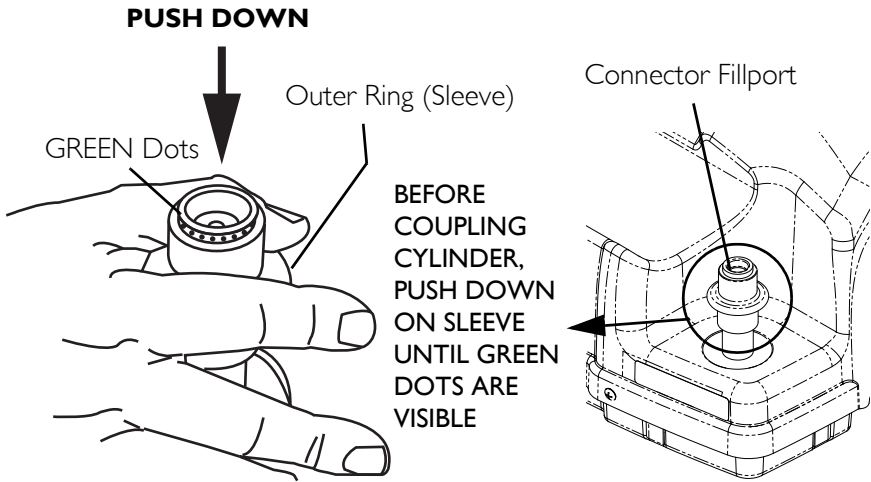
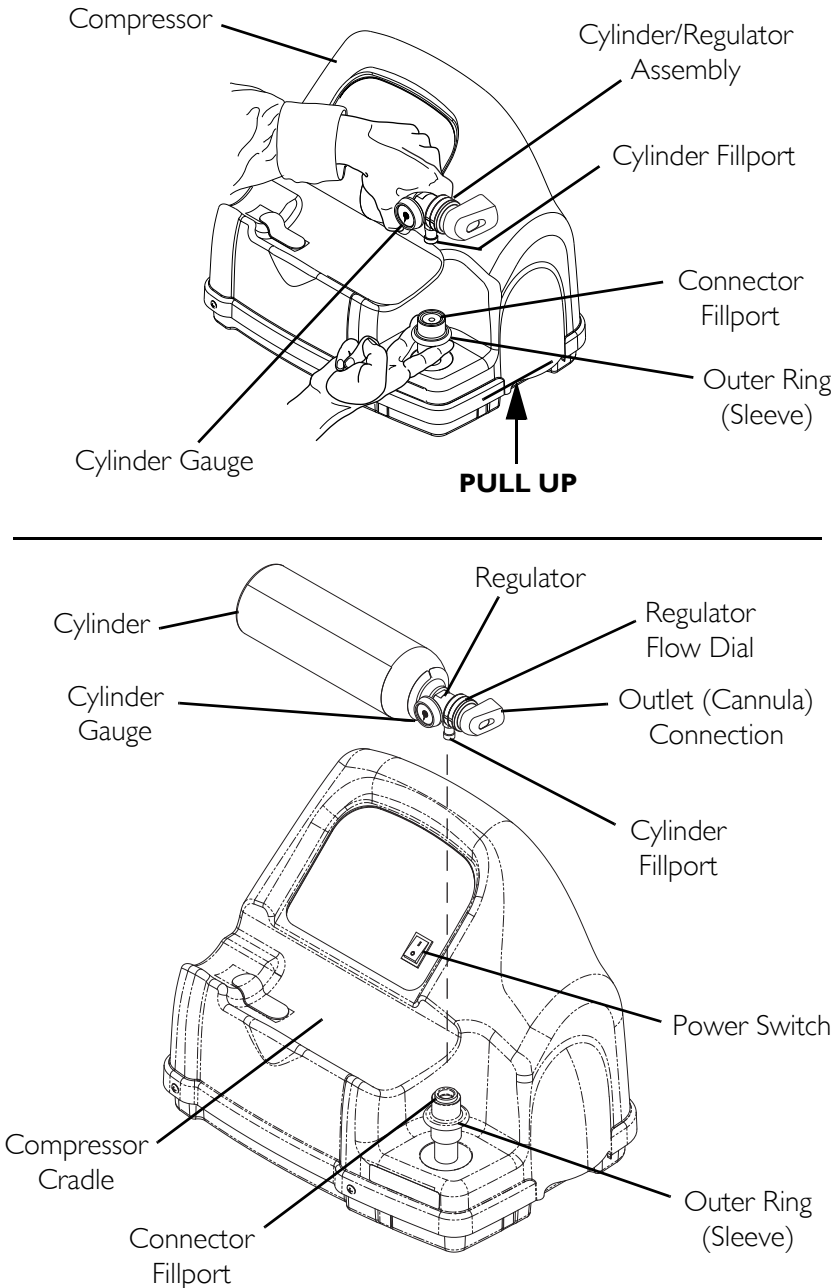


FIGURE 4.2 Resetting Connector Fillport

5. Grasp the cylinder/regulator assembly in the area behind the cylinder gauge (FIGURE 4.3).
6. Position the cylinder in the compressor cradle (FIGURE 4.3).
7. Align the cylinder fillport with the connector fillport (FIGURE 4.3).
8. Pull UP on the outer ring (sleeve) of the connector fillport while pushing DOWN on the cylinder/regulator assembly to couple the cylinder fillport into the connector fillport (FIGURE 4.3).

NOTE: The cylinder is properly connected when an audible “click” is heard.

SECTION 4—INSPECTION AND COMPRESSOR INTERFACE



NOTE: Fillport covers not shown for clarity.

FIGURE 4.3 Connecting the Cylinder to the Compressor

Disconnecting the Cylinder from the Compressor

⚠ WARNING

NEVER use tools of any kind to connect/disconnect the cylinder and the compressor. Otherwise, severe injury and/or damage may occur.

NOTE: For this procedure, refer to FIGURE 4.4.

1. Press the compressor power switch to the Off (O) position.
2. Grasp the cylinder/regulator assembly in the area behind the cylinder gauge.
3. With the other hand, grasp the outer ring (sleeve) of the connector fillport and push DOWN.
4. Lift up on the cylinder/regulator assembly to remove from the connector fillport.

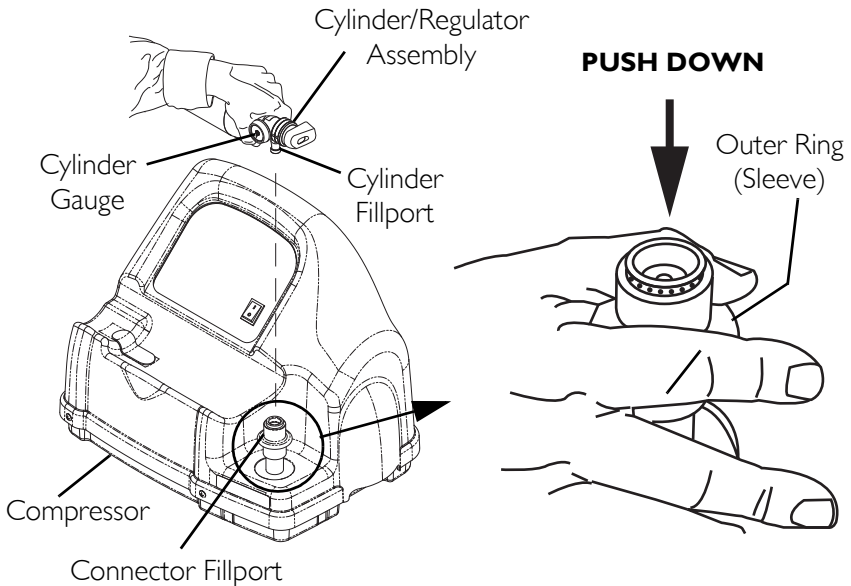


FIGURE 4.4 Disconnecting the Cylinder from the Compressor

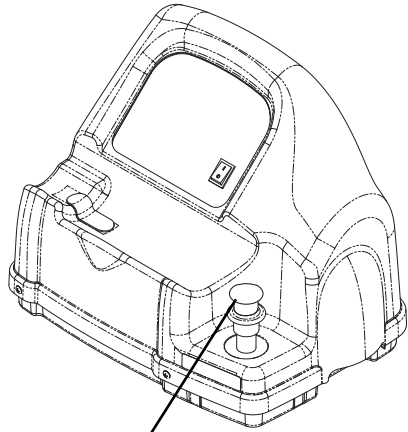
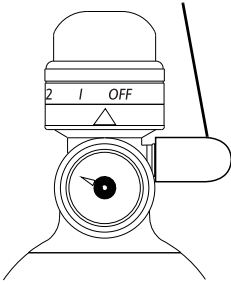
5. When the cylinder fillport is disconnected from the connector fillport, release the outer ring (sleeve) of the connector fillport and use two hands to remove the cylinder from the compressor cradle.

⚠ WARNING

The fillport cover on the connector fillport and the cylinder fillport MUST be replaced after filling and whenever not in use. If either of the fillport covers are missing contact your healthcare provider before using.

6. Place the fillport covers onto the connector fillport and cylinder fillport.
7. Examine the cylinder gauge to ensure cylinder is full (needle pointing into GREEN area). If the cylinder is not full, perform the following:
 - Repeat STEPS 1-8 of Connecting the Cylinder to the Compressor on page 16.
 - If cylinder is not full after second attempt at filling, DO NOT use the cylinder and contact the provider.

Cylinder Fillport Cover



Connector Fillport Cover

FIGURE 4.5 Fillport Covers

SECTION 5—OPERATING INSTRUCTIONS

WARNING

NEVER smoke in an area where oxygen is being administered.

NEVER use near any type of flame or flammable/explosive substances, vapours or atmosphere.

NOTE: For this procedure, refer to FIGURE 5.1.

1. Prior to each use, inspect product for visible damage. DO NOT use if any damage is found.

NOTE: If for any reason, any label becomes illegible or lost, contact your dealer/Home Care equipment provider.

2. Be sure regulator is in the “Off” position. Align “Off” with the indicating pointer.
 3. Position the cylinder so the oxygen cylinder valve outlet is pointing away from the user and any other person(s).
-

WARNING

DO NOT direct flow of oxygen at any person, or flammable material when adjusting the flow dial.

4. Attach a standard adult single lumen oxygen nasal cannula, no longer than seven feet to the product’s outlet according to the cannula manufacturer’s instructions. DO NOT use pediatric, low flow nasal cannulas or oxygen masks with this product.

NOTE: A unit without cannula attached may pulse if set at position 1-5.

5. Place the cannula over your ears and position the prongs in your nose as instructed by your Health Care provider or cannula manufacturer. Refer to FIGURE 5.1.

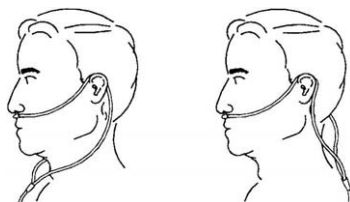


FIGURE 5.1 Cannula Placement

6. Turn dial until indicating pointer is aligned with the prescribed setting.

⚠ WARNING

When pointer on contents gauge enters red zone, it is recommended to refill the cylinder on the Invacare HomeFill Compressor.

NO OXYGEN is delivered between settings. To obtain desired flow, the indicating pointer must align with a specific number on the dial.

To avoid injury to patient, ALWAYS confirm prescribed setting before administering to patient and monitor flow on a frequent basis.

Only use the Invacare Corporation HF2PC9BAG carrying bag.

7. Breathe through the nose and feel a pulse of oxygen as you inhale.

NOTE: When on a pulse setting, there is flow, or a pulse, only at the beginning of each breath. If you do not feel the pulse at the beginning of each breath, check the setting.

NOTE: Because each patient's breathing pattern is different and the environment varies, it may be difficult to feel some low setting pulses.

NOTE: If operating the cylinder below 2° C (35° F) use the 2 L/Min continuous setting only.

SECTION 6—MAINTENANCE

1. After each use, clean exterior of the product with a dry, lint free cloth only.
2. Store product in a clean area free from grease, oil, and other sources of contamination.

CAUTION

DO NOT use cleaning solutions (i.e coupler and fillport fitting).

DO NOT immerse product in any kind of liquid.

All repairs MUST be done by Invacare Corporation.

Replacement Parts – Accessories

HF2PC6BAG Carrying Bag

HF2PC9BAG Carrying Bag

SECTION 7—CYLINDER FILL TIMES

NOTE: All filling times are approximate and may vary on environmental conditions.

Cylinder Filling Times	Concentrator Flow Rate to Patient: (Platinum 5 up to 2.5 L/min.) (Platinum 9 up to 5 L/min.)	
	HF2PCE6	HF2PCE9
NORMAL	1 hr 25 min	2 hr 20 min

Troubleshooting

If Conserving Cylinder fails to function, consult the Troubleshooting guide. If problem cannot be corrected, consult your Dealer/Home Care equipment provider.

PROBLEM	POSSIBLE CAUSE	SOLUTION
No flow.	<ol style="list-style-type: none"> 1. Regulator in “Off” position. 2. Cylinder empty. 3. Dial not set at increment. 4. Conserving not sensing breath. 	<ol style="list-style-type: none"> 1. Set to prescribed setting. 2. Replace/fill cylinder. 3. Set dial so indicator points to a setting. 4. Check position of cannula in nose. Do not breathe through mouth. 5. Check to see if the cannula is kinked.

WARRANTY INFORMATION

For warranty information contact customer service at one of the following locations:

United Kingdom:

Invacare Ltd, South Road, Bridgend Industrial Estate,
UK-Bridgend CF31 3PY

Tel: (44) (0)1656 664 321, Fax: (44) (0)1656 667 532

UK@invacare.com

Ireland:

Invacare Ireland Ltd, Unit 5 Seatwon Business Campus,
Seatown Road, Swords, County Dublin - Ireland

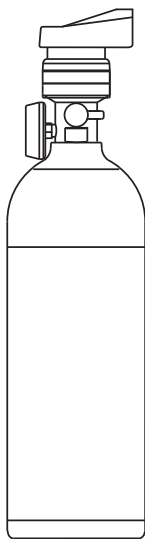
Tel: (353) 1 810 7084, Fax: (353) 1 810 7085

eire@invacare.com

Manuel de l'opérateur

HomeFill® II **Bouteille de conservation** **d'oxygène**

HF2PCE6
HF2PCE9



Distributeur : Ce manuel DOIT être remis à l'utilisateur final.

Utilisateur : Avant d'utiliser cette bouteille, lire ce manuel et le conserver à titre de référence.

**Visiter le site www.invacare.com
pour plus d'informations sur les
produits, pièces et services Invacare.**



Yes, you can.®

⚠ AVERTISSEMENT

NE PAS UTILISER CET APPAREIL SANS AVOIR LU ET COMPRIS CE MANUEL. POUR OBTENIR DES CLARIFICATIONS SUR LES AVERTISSEMENTS, MISES EN GARDE ET INSTRUCTIONS, CONTACTER UN SPÉCIALISTE DE LA SANTÉ, DISTRIBUTEUR OU TECHNICIEN QUALIFIÉ AVANT DE TENTER D'UTILISER CET APPAREIL AFIN DE NE PAS PROVOQUER DE BLESSURES OU DE DOMMAGES.

⚠ AVERTISSEMENT

Les produits Invacare sont spécialement conçus et fabriqués pour être utilisés conjointement avec les accessoires Invacare. Les accessoires conçus par d'autres fabricants n'ont pas été testés par Invacare et leur utilisation n'est pas recommandée avec les produits Invacare.

⚠ DANGER

NE FUMEZ PAS pendant l'utilisation de cet appareil. Conservez allumettes, cigarettes allumées ou autres sources d'ignition en dehors de la pièce dans laquelle se trouve cet appareil et éloignées de l'endroit où de l'oxygène est distribué.

Les textiles et d'autres matières qui ne sont pas normalement inflammables se consomment facilement à grande intensité dans une atmosphère enrichie en oxygène. Le non-respect de cette mise en garde peut entraîner un incendie et des dégâts matériels graves, ou provoquer des blessures corporelles voire la mort.

REMARQUE : Les informations contenues dans ce document sont susceptibles d'être modifiées sans préavis.

REMARQUE : Des versions mises à jour de ce manuel sont disponibles sur www.invacare.com.

TABLE DES MATIÈRES

REMARQUES SPÉCIALES	31
INSPECTION À LA RÉCEPTION	31
USAGE PRÉVU	31
SECTION 1—DIRECTIVES GÉNÉRALES	33
SECTION 2—CARACTÉRISTIQUES	37
SECTION 3—PARAMÈTRES TYPES DU PRODUIT	38
SECTION 4—INSPECTION ET INTERFACE DU COMPRESSEUR	40
Inspection du préremplissage de la bouteille.....	40
Connection/Déconnection de la bouteille du compresseur ...	44
SECTION 5—MODE D'EMPLOI	51
SECTION 6—ENTRETIEN	54
Pièces de rechange – Accessoires.....	54
SECTION 7—TEMPS DE REMPLISSAGE DE LA BOUTEILLE	55
Dépannage	55
INFORMATIONS DE GARANTIE	56

REMARQUES SPÉCIALES

Des mots-indicateurs sont utilisés dans ce manuel et s'appliquent aux dangers ou pratiques dangereuses qui pourraient entraîner des blessures ou des dégâts matériels. Se reporter au tableau suivant pour les définitions des mots-indicateurs.

MOTS-INDICATEURS	SIGNIFICATION
DANGER	Signale une situation dangereuse imminente qui entraînera des blessures graves voire la mort si elle n'est pas évitée.
AVERTISSEMENT	Signale une situation potentiellement dangereuse qui entraînera des blessures graves voire la mort si elle n'est pas évitée.
MISE EN GARDE	Indique une situation potentiellement dangereuse susceptible d'entraîner des dégâts matériels si elle n'est pas évitée.

INSPECTION À LA RÉCEPTION

Retirer le produit de son emballage et rechercher les traces d'endommagement. NE PAS utiliser en présence de dommage. Contacter le distributeur/fournisseur de l'appareil de soins à domicile.

USAGE PRÉVU

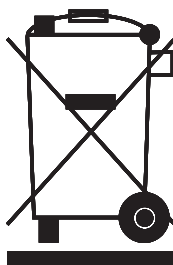
Destiné à conserver, réguler et délivrer l'oxygène supplémentaire aux patients éprouvant des difficultés à extraire l'oxygène de l'air qu'ils respirent. Il est destiné aux patients qui seraient normalement alimentés en oxygène par canule nasale. L'appareil administre 93 % d'oxygène USP à plusieurs réglages d'impulsions/débits différents. Il est destiné à servir d'appareil de conservation d'oxygène, capable de réduire l'assèchement des voies respiratoires.

Ce produit vous a été fourni par Invacare, un fabricant qui respecte l'environnement. Il est conforme à la directive 2002/96/CE sur la gestion des déchets d'équipements électriques et électroniques (DEEE).

Ce produit peut contenir des substances qui pourraient être nocives à l'environnement si elles sont déposées dans des endroits inappropriés (remblais par exemple) et non conformes à la législation en vigueur.

Le symbole " poubelle barrée " est apposé sur ce produit pour vous encourager à le recycler dans les structures de collecte sélective (veuillez contacter votre Mairie).

Soyez écologiquement responsable et recyclez ce produit à la fin de sa durée de vie.



SECTION I—DIRECTIVES GÉNÉRALES

⚠ AVERTISSEMENT

La SECTION I - DIRECTIVES GÉNÉRALES contient des informations importantes sur le fonctionnement et l'utilisation corrects de ce produit. **NE PAS** utiliser ce produit ou tout matériel disponible en option sans avoir lu et compris ces instructions dans leur intégralité et tous les documents d'instruction supplémentaires tels que les guides d'utilisation, les manuels de service ou les fiches d'instruction fournis avec ce produit ou le matériel en option. Si l'utilisateur ne comprend pas les avertissements, mises en garde ou instructions, il doit contacter un professionnel de la santé, le distributeur ou le personnel technique avant de tenter d'utiliser cet appareil pour éviter des blessures ou des dégâts matériels.

⚠ AVERTISSEMENT

Seul le personnel averti et formé à l'utilisation de la bouteille de conservation HomeFill O₂ est habilité à utiliser ce produit.

Le produit contient des matériaux magnétiques, ferreux susceptibles d'affecter les résultats d'une IRM.

Vérifier le serrage de tous les branchements et l'absence de fuites.

NE PAS utiliser un détecteur de fuite liquide pour tester les fuites.

NE PAS autoclaver.

NE PAS stériliser au gaz avec de l'oxyde d'éthylène.

⚠ AVERTISSEMENT

NE PAS nettoyer avec des hydrocarbures aromatiques.

NE PAS tenter de réparer le produit.

NE PAS plonger le produit dans un liquide quelconque.

Ranger le produit dans un endroit propre lorsqu'il n'est pas utilisé.

Utiliser uniquement la sacoche de transport Invacare Corporation HF2PC9BAG.

NE JAMAIS fumer dans la zone d'administration de l'oxygène.

TOUJOURS confirmer la dose prescrite avant d'administrer l'oxygène au patient et surveiller régulièrement.

NE PAS utiliser si des impuretés ou des contaminants sont présents sur ou à proximité de la bouteille, de la soupape, du produit ou des dispositifs de branchement.

NE JAMAIS utiliser la bouteille à proximité de flammes ou de substances, vapeurs ou atmosphère inflammables/explosives.

L'OXYGÈNE N'EST PAS délivré lorsque l'aiguille est alignée sur « Arrêt ».

NE PAS bloquer le raccord de sortie ni entortiller la canule pendant l'utilisation du produit afin de ne pas endommager l'unité.

L'utilisation de cet appareil est limitée au patient recevant de l'oxygène. Les bouteilles ne DOIVENT être utilisées que par le patient recevant de l'oxygène et ne doivent pas être distribuées à tout autre individu pour une raison quelconque.

Ce produit N'EST PAS destiné aux patients respirant par la bouche.

⚠ AVERTISSEMENT

EVITEZ que de l'huile venant de vos mains ou d'une autre source n'entre en contact avec le coupleur du compresseur ou l'embout d'alimentation de la bouteille. Ces substances peuvent devenir inflammables en présence d'oxygène et provoquer des blessures. Evitez autant que possible de toucher à l'embout d'alimentation de la bouteille. Evitez par exemple d'utiliser des produits comme de la crème pour les mains, huiles de cuisson, huile solaire ou protections solaires et autres produits huileux similaires. Si vous utilisez ce type de produits Invacare suggère que vous vous laviez les mains avant d'utiliser le compresseur HomeFill II. Si l'embout d'alimentation entre en contact avec de telles substances, il faudra le nettoyer avec un chiffon humide avant de le brancher au compresseur.

NE JAMAIS huiler ou lubrifier le coupleur du compresseur ou les embouts d'alimentation de la bouteille. NE JAMAIS utiliser d'huile pénétrante ou lubrifiante comme WD-40 ou 3 in One. Si vous rencontrez des difficultés de branchement vérifiez que l'embout d'alimentation de la bouteille est correctement enclenché vers le bas dans le coupleur du compresseur. Si vous rencontrez toujours des difficultés contactez votre fournisseur pour obtenir une assistance.

NE PAS utiliser d'humidificateur avec ce produit.

NE PAS laisser les bouteilles s'incliner ou tomber. Fixer les bouteilles de gaz pour éviter leur chute. Vérifier que la bouteille est toujours à la verticale.

NE PAS ranger les bouteilles près de sources de chaleur ou de flammes.

⚠ AVERTISSEMENT

Ce produit est équipé d'une soupape de sûreté. Si l'utilisateur entend un sifflement intense ou un claquement provenant du produit, interrompre l'utilisation du produit, régler le sélecteur de débit sur « Arrêt » et contacter le distributeur/fournisseur de l'appareil de soins à domicile.

NE PAS utiliser pendant le sommeil sans consulter le prestataire de soins médicaux.

Ce produit est conçu pour fonctionner avec une simple lumière standard, une canule nasale d'oxygène pour adulte d'une longueur maximale de 2,1 m.

La canule est destinée à un patient unique.

La canule DOIT être installée sur le connecteur de sortie avant l'utilisation.

NE PAS placer l'unité sous les vêtements pendant l'utilisation. Une petite quantité d'oxygène s'échappe pendant l'utilisation de ce produit. Le port de l'unité sous les vêtements est susceptible de saturer les tissus en oxygène et d'entraîner leur combustion rapide s'ils sont exposés à des étincelles ou à des flammes. Il faut plusieurs heures pour que les niveaux d'oxygène dans les tissus reviennent à la normale.

NE PAS utiliser le IOH200AW-S, compresseur HomeFill II, pour remplir des bouteilles en extérieur ou dans un quelconque endroit où la température est au dessous de 13°C (55 F).

SECTION 2—CARACTÉRISTIQUES

⚠ DANGER

Ce produit n'est pas destiné à servir d'appareil de réanimation et de maintien des fonctions vitales ou de respiration.

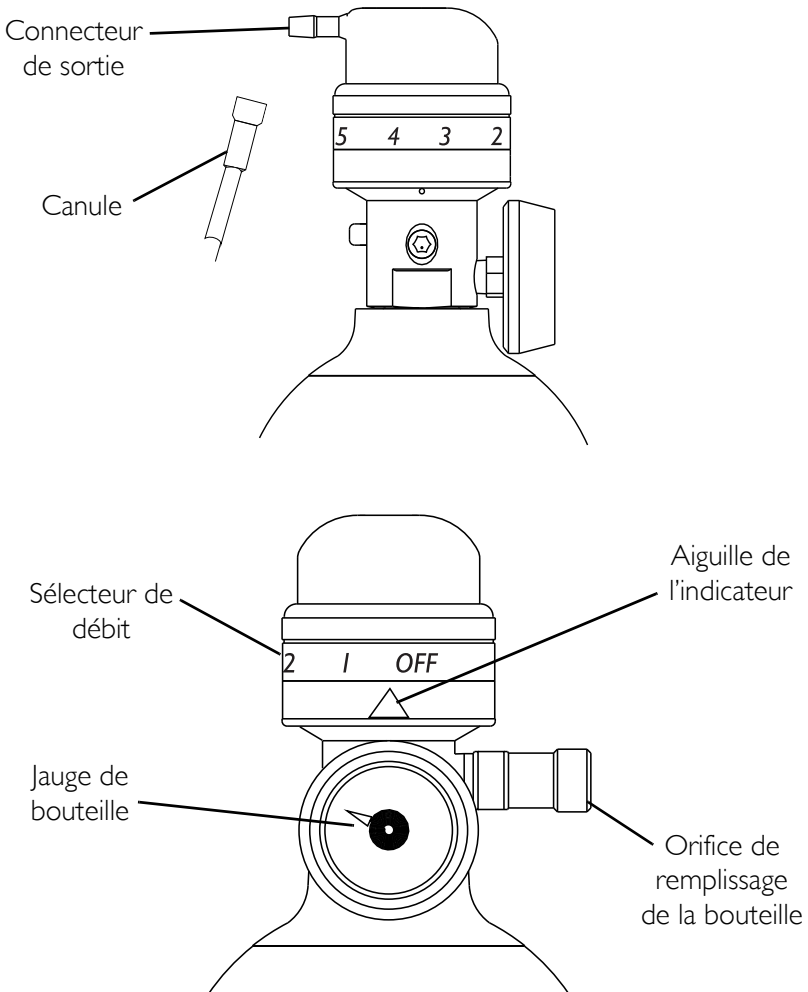


FIGURE 2.1 Schéma du produit

SECTION 3—PARAMÈTRES TYPES DU PRODUIT

GAMME DE PRESSION D'ADMISSION :	20,7 à 145 bar
PRESSION RÉGULÉE INTERNE :	3,5 bar
DIMENSIONS :	HF2PCE6 - 1,0 Liters HF2PCE9 - 1,7 Liters
HF2PCE6 : POIDS	1,86 kg
HF2PCE6 : LONGUEUR TOTALE	27,7 cm
HF2PCE6 : DIAMÈTRE	11,1 cm
HF2PCE9 : POIDS	2,31 kg
HF2PCE9 : LONGUEUR TOTALE	35,5 cm
HF2PCE9 : DIAMÈTRE	11,1 cm
RÉGLAGES D'IMPULSIONS :	1, 2, 3, 4 et 5
RÉGLAGES DE DÉBIT :	2 LPM en continu
RAPPORT DE CONSERVATION :	Jusqu'à 5,7:1
CANULE CARACTÉRISTIQUES :	Canule nasale standard pour adulte d'une longueur maximale de 2,1 m recommandée 1,21 m Canule d'oxygène standard pour adulte à simple tubulure d'une longueur maximale de 2 m, 1,21 m est recommandé
TEMPÉRATURE DE FONCTIONNEMENT :	1,7 °C à 40,6 °C
ALTITUDE :	0 à 3 071 m
CONDITIONS D'ENTREPOSAGE TEMPÉRATURE :	-40 °C à 60 °C

SECTION 3—PARAMÈTRES TYPES DU PRODUIT

HUMIDITÉ MAXIMALE :	95 %
CLASSIFICATION DU PRODUIT :	Classe IIB
LISTE DES RÉGLEMENTATIONS :	Conforme à la directive sur les appareils médicaux 93/42/CEE

SECTION 4—INSPECTION ET INTERFACE DU COMPRESSEUR

REMARQUE: Se reporter au Guide d'utilisation HomeFill II pour les instructions sur le fonctionnement du compresseur.

Inspection du préremplissage de la bouteille

DANGER

Un remplissage inapproprié ou une mauvaise utilisation de cette bouteille, ou le non respect de ces instructions de sécurité, est susceptible d'entraîner des blessures graves voire la mort. Le gaz oxydant à haute pression accélère fortement la combustion.

NE PAS altérer ou modifier la bouteille ou ses composants.

NE PAS utiliser d'huile ou de graisse. Maintenir la bouteille, la soupape de la bouteille, l'ensemble du matériel et des branchements libres de toute huile ou graisse pour éviter une inflammation violente entraînant des blessures graves voire la mort.

AVERTISSEMENT

Pour les applications médicales, n'utiliser la bouteille qu'en respectant les directives d'un praticien agréé. L'utilisation ininterrompue de concentrations élevées d'oxygène pendant une durée prolongée, sans une surveillance de leur effet sur la teneur en oxygène du sang artériel, présente des dangers.

Les bouteilles d'oxygène remplies par le HomeFill II sont réservées à un usage personnel. « Ne pas remplir en vue d'une revente ou d'une utilisation professionnelle ».

⚠ AVERTISSEMENT

Cette bouteille doit être utilisée avec le système HomeFill II. Cette bouteille contient 93 ± 3 % d'oxygène produit par une concentration d'oxygène en utilisant des procédés d'adsorption modulée en pression.

L'utilisateur **NE DOIT PAS** manipuler la bouteille ni utiliser son contenu tant qu'il n'a pas reçu une formation professionnelle, notamment sur les procédures d'urgence.

Utiliser cette bouteille conformément au Guide d'utilisation HomeFill II. Ouvrir la soupape lentement, fermer la soupape après chaque utilisation ou lorsque la bouteille est vide. Fixer la bouteille pendant son utilisation et son entreposage. Il est interdit de fumer à proximité de la bouteille. Éloigner la bouteille de la chaleur, des flammes et des étincelles. Tenir hors de portée des enfants. **NE PAS** faire tomber.

Le transvidage de ce gaz est effectué par le HomeFill II seulement.

Les bouteilles ayant remises à neuf et/ou exposées à des températures élevées **DOIVENT** subir un test hydrostatique avant le remplissage. La température de la bouteille ne doit pas dépasser 52 °C Les bouteilles en aluminium soumises à l'action du feu ou à des températures supérieures à 177 °C **DOIVENT** être retirées du service et leur utilisation condamnée par le personnel qualifié. **NE PAS** utiliser de décapants pour peinture caustiques. La soupape et les mécanismes de sûreté **DOIVENT** être retirés et remplacés par un personnel formé et agréé. **NE PAS** altérer ou modifier l'ensemble de la soupape.

Toutes les bouteilles **DOIVENT** être inspectées avant tout remplissage afin d'éviter les risques de dommages ou de blessures.

⚠ AVERTISSEMENT

NE JAMAIS fumer dans la zone d'administration de l'oxygène.

NE JAMAIS utiliser la bouteille à proximité de flammes ou de substances, vapeurs ou atmosphère inflammables/explosives.

REMARQUE: Pour cette procédure, se reporter à la FIGURE 4.1.

La date de test hydrostatique

Les bouteilles en aluminium DOIVENT subir des tests tous les cinq ans.

⚠ AVERTISSEMENT

NE PAS remplir les bouteilles qui n'ont pas été testées depuis cinq ans afin d'éviter des blessures graves. Contacter le distributeur pour le remplacement de la bouteille.

Examen externe

1. Examiner la surface externe de la bouteille pour détecter les conditions suivantes et remplacer la bouteille le cas échéant :
 - Empreintes ou bosses
 - Brûlures d'arc
 - Huile ou graisse
 - Tout autre signe d'endommagement empêchant l'utilisation de la bouteille (bouteille inacceptable ou dangereuse).

2. Examiner la bouteille pour détecter les traces de dommage thermique ou liés au feu. Ces traces incluent les traces de carbonisation ou de cloquage de la peinture ou d'un autre revêtement protecteur, ou toute autre indication pyrométrique. Remplacer la bouteille si des traces de dommages thermiques ou causés par le feu sont détectées.
3. Inspecter l'orifice de remplissage de la bouteille pour détecter les conditions suivantes :
 - Débris, huile ou graisse
 - Traces d'endommagement évidentes
 - Traces de corrosion à l'intérieur de la soupape
 - Traces de chaleur excessive ou de dégât causé par le feu

REMARQUE: NE JAMAIS utiliser la bouteille si vous rencontrez l'un de ces cas. Contacter le distributeur pour le remplacement de la bouteille.



Étiquette d'avertissement

Cette bouteille doit être utilisée avec le système HomeFill II.

Cette bouteille contient 93 ± 3 % d'oxygène.

Conserver la bouteille dans un endroit bien ventilé.

Tenir éloignée des matières combustibles.

Éviter toute trace d'huile ou de graisse.

Se reporter au Guide d'utilisation HomeFill II pour les consignes de sécurité, mises en garde et avertissements supplémentaires.

FIGURE 4.1 Examen externe

Connexion/Déconnexion de la bouteille du compresseur

Connexion de la bouteille au compresseur

⚠ AVERTISSEMENT

NE JAMAIS utiliser un outil quelconque pour brancher/débrancher la bouteille et le compresseur afin d'éviter les dommages et/ou les blessures graves.

NE PAS faire tomber les bouteilles d'oxygène. Se servir des deux mains pour manipuler/transporter les bouteilles d'oxygène afin d'éviter toute blessure ou dommage.

NE PAS utiliser un détecteur de fuite liquide pour tester les fuites.

REMARQUE: Pour cette procédure, se reporter aux FIGURE 4.2 et FIGURE 4.3.

1. Examiner la jauge de la bouteille. Si la pression de la bouteille est inférieure à 103,5 bar, passer à L'ÉTAPE 2 (FIGURE 4.3).

REMARQUE: Si la pression de la bouteille est supérieure à 103,5 bar, NE PAS tenter de déboucher cette bouteille. Elle risque de ne pas se remplir.

2. Régler le sélecteur de régulation du débit sur Arrêt (FIGURE 4.3).
 3. Retirer les capuchons des orifices de remplissage de la bouteille et du connecteur (le cas échéant).
-

MISE EN GARDE

NE PAS relier le connecteur (canule) de sortie à l'unité HomeFill II ou la bouteille de conservation ne fonctionnera pas normalement.

4. Enfoncer momentanément la bague externe (manchon) de l'orifice de remplissage du connecteur pour ajuster le connecteur conformément à la FIGURE 4.2.

REMARQUE: Si la bague externe (manchon) est en position HAUTE (les points VERTS ne sont pas visibles), l'orifice de remplissage du connecteur n'accueillera pas l'orifice de remplissage de la bouteille. L'utilisateur doit enfoncer momentanément la bague externe vers le BAS pour ajuster l'orifice de remplissage du connecteur (points VERTS visibles) afin d'accueillir l'orifice de remplissage de la bouteille.

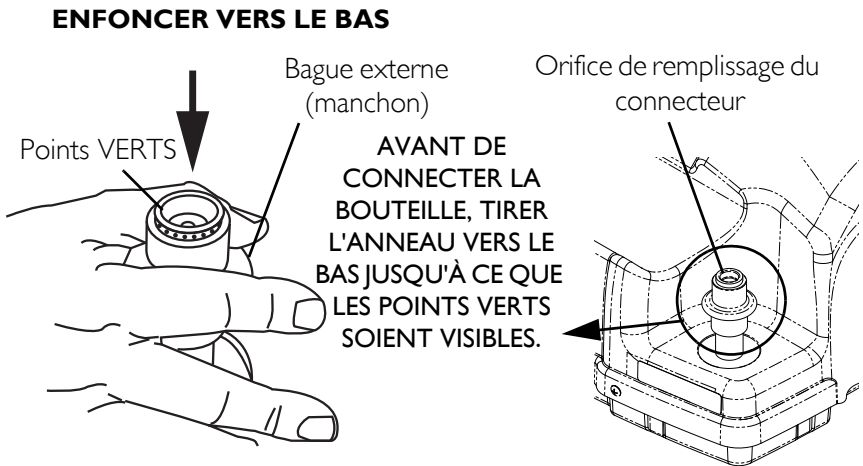


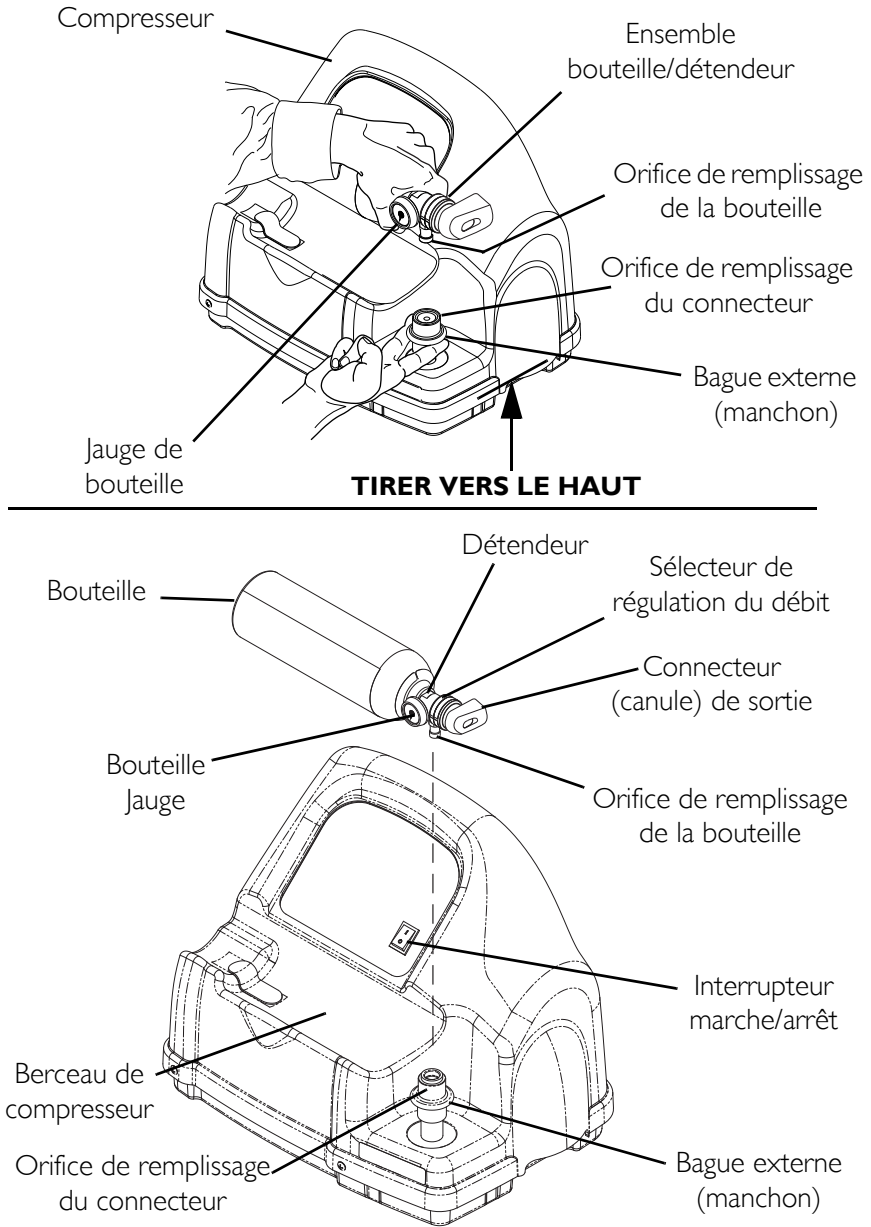
FIGURE 4.2 Ajustement de l'orifice de remplissage du connecteur

5. Saisir l'ensemble bouteille/détendeur dans la zone située derrière la jauge de la bouteille (FIGURE 4.3).
6. Positionner la bouteille dans le berceau du compresseur (FIGURE 4.3).
7. Aligner l'orifice de remplissage de la bouteille avec l'orifice de remplissage du connecteur (FIGURE 4.3).

8. Tirer vers le HAUT la bague externe (manchon) de l'orifice de remplissage du connecteur tout en enfonçant vers le BAS l'ensemble bouteille/détendeur pour connecter l'orifice de remplissage de la bouteille à l'orifice de remplissage du connecteur (FIGURE 4.3).

REMARQUE: La bouteille est correctement connectée lorsqu'un déclic retentit.

SECTION 4—INSPECTION ET INTERFACE DU COMPRESSEUR



REMARQUE: Pour plus de clarté, les capuchons des orifices de remplissage ne sont pas représentés.

FIGURE 4.3 Connection de la bouteille au compresseur

Déconnexion de la bouteille du compresseur

AVERTISSEMENT

NE JAMAIS utiliser un outil quelconque pour connecter/déconnecter la bouteille et le compresseur afin d'éviter les dommages et/ou les blessures graves.

REMARQUE: Pour cette procédure, se reporter à la FIGURE 4.4.

1. Régler l'interrupteur marche/arrêt du compresseur en position Arrêt (O).
2. Saisir l'ensemble bouteille/détendeur dans la zone située derrière la jauge de la bouteille.
3. Saisir de l'autre main la bague externe (manchon) de l'orifice de remplissage du connecteur et pousser vers le BAS.
4. Soulever l'ensemble bouteille/détendeur pour le retirer de l'orifice de remplissage du connecteur.

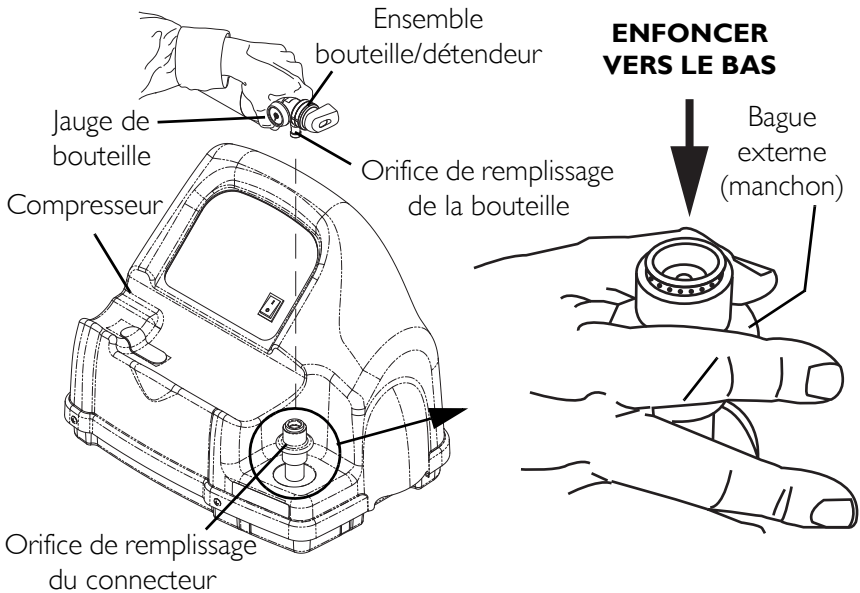


FIGURE 4.4 Déconnection de la bouteille du compresseur

5. Lorsque l'orifice de remplissage de la bouteille est déconnecté de l'orifice de remplissage du connecteur, relâcher la bague externe (manchon) de l'orifice de remplissage du connecteur et retirer la bouteille du berceau du compresseur à l'aide des deux mains.

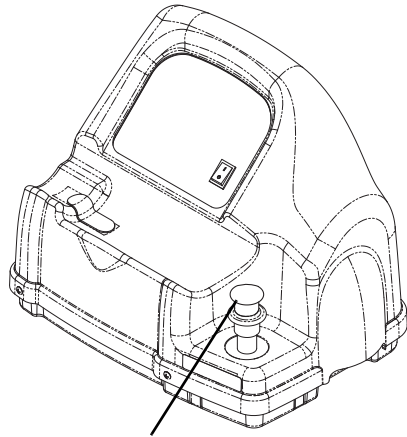
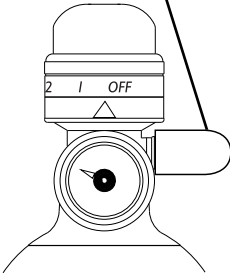
⚠ MISE EN GARDE

Le bouchon sur le port de remplissage du connecteur ainsi que celui de la bouteille DOIVENT être repositionnés après utilisation et chaque fois que l'appareil n'est pas utilisé. Si l'un des bouchons d'entrée de remplissage manque, prenez contact avec votre fournisseur clinique avant d'utiliser le système HomeFill II.

6. Placer les capuchons des orifices de remplissage sur les orifices de remplissage du connecteur et de la bouteille.

7. Vérifiez la jauge de la bouteille pour vous assurer qu'elle est pleine (l'aiguille pointe vers la zone VERTE). Si la bouteille n'est pas pleine, procédez aux étapes suivantes:
- Répétez les ETAPES 1-8 de Connexion de la bouteille au compresseur on page 44.
 - Si la bouteille n'est pas pleine après le second essai de remplissage, NE L'UTILISEZ PAS et contactez le fournisseur.

Bouchon du port de remplissage de la bouteille



Bouchon du port de remplissage du connecteur

FIGURE 4.5 Bouchons des ports de remplissage

SECTION 5—MODE D'EMPLOI

AVERTISSEMENT

NE JAMAIS fumer dans la zone d'administration de l'oxygène.

NE JAMAIS utiliser la bouteille à proximité de flammes ou de substances, vapeurs ou atmosphère inflammables/explosives.

REMARQUE : Pour cette procédure, se reporter à la FIGURE 5.1.

1. Inspecter le produit pour détecter les traces de dommages visibles avant chaque utilisation. **NE PAS** utiliser si un dommage est détecté.

REMARQUE : Si une étiquette est illisible ou perdue pour une raison quelconque, contacter le distributeur/fournisseur de l'appareil de soins à domicile.

2. Vérifier que le détendeur est en position « Arrêt ». Aligner le symbole « Arrêt » avec l'aiguille de l'indicateur.
 3. Positionner la bouteille de façon à orienter la sortie de soupape de la bouteille d'oxygène loin de l'utilisateur et de toute autre personne.
-

AVERTISSEMENT

NE PAS diriger le débit d'oxygène vers une personne ou vers un matériau inflammable lors du réglage du sélecteur de débit.

4. Relier une canule nasale d'oxygène à lumière simple standard pour adulte, d'une longueur maximale de 2,1 mètres, à la sortie du produit, conformément aux instructions du fabricant de la canule. **NE PAS** utiliser de canules nasales à faible débit de type pédiatrique ou de masques à oxygène avec ce produit.
-

REMARQUE : Une unité sans canule fixe risque d'entraîner des impulsions si elle est réglée sur la position 1 à 5.

5. Placer la canule sur les oreilles et positionner ses embout dans les narines conformément aux instructions du fabricant de la canule ou du prestataire de soins médicaux. Se reporter à la FIGURE 5.1.

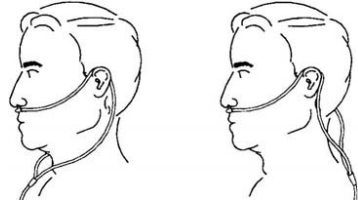


FIGURE 5.1 Positionnement de la canule

6. Régler le sélecteur de façon à aligner l'aiguille de l'indicateur sur le réglage prescrit.

⚠ AVERTISSEMENT

Lorsque l'aiguille de la jauge de contenu passe dans le rouge, il est recommandé de remplir de nouveau la bouteille sur le compresseur HomeFill d'Invacare.

AUCUN OXYGENE n'est distribué pendant les réglages. Pour obtenir le débit souhaité, l'aiguille de l'indicateur doit être alignée sur un chiffre spécifique du sélecteur.

Pour éviter de blesser le patient, **TOUJOURS** confirmer le réglage prescrit avant d'administrer l'oxygène au patient et surveiller régulièrement le débit.

Utiliser uniquement la sacoche de transport HF2PC9BAG d'Invacare Corporation.

7. Respirer par le nez et sentir une impulsion d'oxygène pendant l'inhalation.

REMARQUE : Avec un réglage d'impulsion, le débit ou l'impulsion n'intervient qu'au début de chaque respiration. Si

l'impulsion n'est pas perçue au début de chaque respiration, vérifier le réglage.

REMARQUE : Il est parfois difficile de sentir les impulsions à faible débit car les rythmes de respiration varient d'un patient à l'autre et en fonction de l'environnement.

REMARQUE : Si le cylindre fonctionne au dessous de 2°C (35°F) utiliser uniquement le réglage de 2L/Min continu.

SECTION 6—ENTRETIEN

1. Après chaque utilisation, nettoyer la surface extérieure du produit en utilisant uniquement un chiffon sec non-pelucheux.
2. Ranger le produit dans un endroit propre dépourvu de graisse, d'huile ou d'autres sources de contamination.

MISE EN GARDE

NE PAS utiliser de solutions nettoyantes.

NE PAS plonger le produit dans un liquide quelconque.

Toutes les réparations **DOIVENT** être effectuées par Invacare Corporation.

Pièces de rechange - Accessoires

Sacoche de transport HF2PC6BAG

Sacoche de transport HF2PC9BAG

SECTION 7—TEMPS DE REMPLISSAGE DE LA BOUTEILLE

REMARQUE : Tous les temps de remplissage sont approximatifs et susceptibles de varier selon les conditions ambiantes.

Temps de remplissage de la bouteille	Débit du concentrateur vers le patient: (Platinum 5 jusqu'à 2,5 l/min) (Platinum 9 jusqu'à 5 l/min)	
	HF2PCE6	HF2PCE9
NORMAL	1 h 25 min	2 h 20 min

Dépannage

Si la bouteille de conservation ne fonctionne pas correctement, consulter le guide de dépannage. Si le problème n'est toujours pas résolu, consulter le distributeur/fournisseur de l'appareil de soins à domicile.

PROBLÈME	CAUSE POSSIBLE	SOLUTION
Aucun débit.	<ol style="list-style-type: none"> Détendeur en position « Arrêt ». Bouteille vide. Le sélecteur n'est pas réglé sur l'incrément. Le conservateur ne détecte pas la respiration. 	<ol style="list-style-type: none"> Positionné sur le réglage prescrit. Remplacer/remplir la bouteille. Régler le sélecteur sur un réglage. Vérifier la position de la canule dans le nez. Ne pas respirer par la bouche. Vérifier si la canule est entortillée.

INFORMATIONS DE GARANTIE

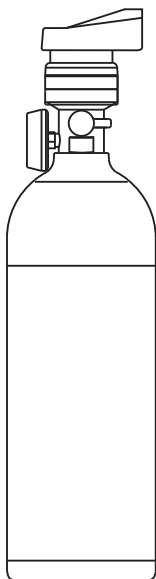
Pour les informations de garantie, contacter le service clientèle à l'adresse suivante :

France : Invacare Poirier SAS, Route de St Roch, F-37230
Fondettes

Tél : (33) (0) 2 47 62 64 66, Fax : (33) (0) 2 47 42 12 24
contactfr@invacare.com

HomeFill® II Sauerstoff- Druckflasche

HF2PCE6
HF2PCE9



Händler: Dieses Handbuch MUSS dem Endbenutzer zur Verfügung gestellt werden.

Benutzer: Lesen Sie das Handbuch vor Gebrauch dieser Druckflasche durch und bewahren Sie es zur künftigen Bezugnahme gut auf.

**Weitere Informationen zu Produkten,
Teilen und Serviceleistungen von
Invacare erhalten Sie unter
www.invacare.com.**



Yes, you can.®

⚠ WARNUNG

BETREIBEN SIE DIESES PRODUKT NICHT, OHNE DIESES HANDBUCH ZUVOR GELESEN UND VERSTANDEN ZU HABEN. WENN SIE DIE WARNHINWEISE, VORSICHTSHINWEISE UND ANWEISUNGEN NICHT VERSTEHEN, WENDEN SIE SICH AN MEDIZINISCHES FACHPERSONAL, EINEN FACHHÄNDLER ODER EINEN QUALIFIZIERTEN TECHNIKER, BEVOR SIE DIESES PRODUKT IN BETRIEB NEHMEN - ANSONSTEN KANN ES ZU VERLETZUNGEN ODER SCHÄDEN KOMMEN.

⚠ WARNUNG

Die Produkte von Invacare werden speziell für den Gebrauch mit Invacare-Zubehör entwickelt und hergestellt. Von anderen Herstellern bereitgestelltes Zubehör wurde von Invacare nicht getestet und wird daher nicht für die Verwendung mit Produkten von Invacare empfohlen.

⚠ GEFAHR

Den Benutzern ist das **RAUCHEN** während der Verwendung dieses Produkts **UNTERSAGT**. Sorgen Sie dafür, dass keine Streichhölzer, brennenden Zigaretten oder andere Zündquellen in den Raum gelangen, in dem sich das Produkt befindet und halten Sie diese fern von Orten, an denen Sauerstoff austritt.

Textilien oder andere Materialien, die normalerweise nicht brennen, entzünden sich in der mit Sauerstoff angereicherten Luft schnell und verbrennen dann mit großer Brandintensität. Bei Nichtbeachtung dieser Warnung kann es zu einem heftigen Feuersausbruch, Sachschäden und Verletzungen, sogar mit Todesfolge, kommen.

HINWEIS: Die in diesem Dokument enthaltenen Informationen können jederzeit ohne vorherige Ankündigung geändert werden.

HINWEIS: Aktualisierte Versionen dieses Handbuchs finden Sie unter www.inovacare.com.

TABLE OF CONTENTS

BESONDERE HINWEISE	61
EINGANGSKONTROLLE	61
BESTIMMUNGSGEMÄÙE ANWENDUNG	62
SECTION 1—ALLGEMEINE RICHTLINIEN	63
SECTION 2—FUNKTIONEN	67
SECTION 3—TYPISCHE PRODUKTPARAMETER	68
SECTION 4—KONTROLLE UND KOMPRESSOR-SCHNITTSTELLE	69
Kontrolle der Vorabbefüllung der Druckflasche	69
Anschließen/Trennen der Druckflasche am/vom Kompressor	74
SECTION 5— BEDIENUNGSANLEITUNG	81
SECTION 6—WARTUNG	84
Ersatzteile – Zubehör	84
SECTION 7—DRUCKFLASCHEN-FÜLLZEITEN ...	85
Fehlerbehebung.....	85
GARANTIE	86

BESONDERE HINWEISE

In diesem Handbuch werden Signalwörter verwendet, die sich auf Gefahren oder unsichere Praktiken beziehen, die zu Verletzungen oder Sachschäden führen können. Die Definitionen der Signalwörter finden Sie in der folgenden Tabelle.

SIGNALWORT	BEDEUTUNG
GEFAHR	Bezeichnet eine unmittelbar gefährliche Situation, die, wenn sie nicht vermieden wird, zum Tod oder zu schweren Verletzungen führt.
WARNUNG	Bezeichnet eine potenziell gefährliche Situation, die, wenn sie nicht vermieden wird, zum Tod oder zu schweren Verletzungen führen kann.
ACHTUNG	Bezeichnet eine potenziell gefährliche Situation, die, wenn sie nicht vermieden wird, zu Sachschäden führen kann.

EINGANGSKONTROLLE

Entnehmen Sie das Produkt aus der Verpackung und prüfen Sie es auf Schäden. Verwenden Sie das Produkt NICHT, wenn Schäden vorhanden sind. Wenden Sie sich an Ihren Fachhändler/Ihren Hauspflegedienst.

BESTIMMUNGSGEMÄßE ANWENDUNG

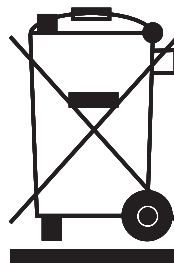
Die Aufbewahrung, Regelung und Abgabe von zusätzlichem Sauerstoff an Patienten, die Schwierigkeiten haben, Sauerstoff aus der Atemluft zu beziehen. Es ist für Patienten vorgesehen, die Sauerstoff normalerweise über eine Nasenkanüle erhalten. Das Produkt liefert USP 93%igen Sauerstoff in einer Reihe unterschiedlicher Strömungs-/Impulseinstellungen. Das Produkt ist als Sauerstoffaufbewahrungsvorrichtung vorgesehen, die das Austrocknen der Luftwege verringern kann.

Dieses Produkt ist von einem umweltbewussten Hersteller geliefert worden, der gemäß der Verordnung 2002/96/CE zur Entsorgung von Elektro- bzw. Elektronikschrott (WEEE) arbeitet.

Dieses Produkt kann Stoffe enthalten, die sich für die Umwelt als schädlich erweisen könnten, falls sie an Orten (Mülldeponien) entsorgt werden, die nach der Gesetzgebung dafür nicht geeignet sind.

Das Symbol der "durchgestrichenen Mülltonne" befindet sich auf diesem Produkt, um Sie an die Verpflichtung zum Recycling zu erinnern.

Bitte verhalten Sie sich umweltbewusst und führen Sie dieses Produkt am Ende seiner Nutzungsdauer Ihrer Recyclingeinrichtung zu.



ABSCHNITT I—ALLGEMEINE RICHTLINIEN

WARNUNG

ABSCHNITT I - ALLGEMEINE RICHTLINIEN enthält wichtige Informationen für den sicheren Betrieb und die sichere Verwendung dieses Produkts. **NEHMEN** Sie dieses Produkt und alles verfügbare Zubehör erst in Betrieb, wenn Sie diese Anweisungen und alle zusätzlichen Anweisungsdokumente, wie Benutzerhandbücher, Servicehandbücher oder Anweisungsbögen, die dem Produkt oder Zubehör beigelegt sind, gründlich gelesen und verstanden haben. Wenn Sie die Warnhinweise, Vorsichtshinweise oder Anweisungen nicht verstehen, wenden Sie sich an medizinisches Fachpersonal, einen Fachhändler oder an qualifiziertes technisches Personal, bevor Sie dieses Produkt in Betrieb nehmen – ansonsten kann es zu Verletzungen oder Schäden kommen.

WARNUNG

Nur Mitarbeiter, die in der Verwendung von HomeFill O₂-Druckflaschen unterwiesen und geschult sind, dürfen dieses Produkt bedienen.

Das Produkt enthält magnetisches Eisenmaterial, das die Ergebnisse einer Kernspintomographie beeinflussen kann.

Stellen Sie sicher, dass alle Anschlüsse fest und leckfrei sind.

Verwenden Sie **KEINEN** flüssigen Dichtigkeitsprüfer für die Dichtigkeitsprüfung.

NICHT autoklavieren.

NICHT mit Ethylenoxid sterilisieren.

NICHT mit aromatischen Kohlenwasserstoffen reinigen.

⚠ WARNUNG

Versuchen Sie NICHT, das Produkt zu reparieren.

Tauchen Sie das Produkt NICHT in Flüssigkeit ein.

Bewahren Sie das Produkt an einem sauberen Ort auf, wenn es nicht benötigt wird.

Verwenden Sie ausschließlich die Tragetasche HF2PC9BAG der Invacare Corporation.

Rauchen Sie NIE in einem Bereich, in dem Sauerstoff verabreicht wird.

Überprüfen Sie STETS die vorgeschriebene Dosis, bevor Sie sie dem Patienten verabreichen. Führen Sie häufige Kontrollen durch.

Verwenden Sie das Produkt NICHT, wenn Verschmutzungen oder Kontaminanten am oder um die Druckflasche, das Ventil, das Produkt oder die Anschlussvorrichtungen vorhanden sind.

Verwenden Sie das Produkt NIE in der Nähe einer Flamme oder nahe entzündlichen/explosiven Substanzen, Dämpfen oder in einer entzündlichen/explosiven Umgebung.

Wenn der Zeiger auf „Aus“ (Off) zeigt, wird KEIN SAUERSTOFF abgegeben.

Blockieren Sie den Auslass NICHT und knicken Sie die Kanüle NICHT ab, wenn das Produkt in Betrieb ist, dies kann das Gerät beschädigen.

Dieses Gerät darf nur für den Sauerstoffpatienten verwendet werden. Die Druckflaschen DÜRFEN NUR vom Sauerstoffpatienten verwendet werden und sind nicht an andere Personen weiterzugeben.

Dieses Produkt darf NICHT von Patienten verwendet werden, die durch den Mund atmen.

⚠ WARNUNG

VERMEIDEN Sie, dass an Ihren Händen anhaftendes oder von anderen Quellen stammendes Öl, mit den Kupplungen des Kompressors oder den Verbindungsstücken der Flasche in Kontakt kommt. Diese Substanzen können in Kontakt mit Sauerstoff entflammbar sein und Verletzungen verursachen. Vermeiden Sie nach Möglichkeit, die Berührung mit den Verbindungselementen der Flasche gänzlich. Zu vermeidende Substanzen sind zum Beispiel Handcremes oder Lotionen, Speiseöle, Bräunungscremes oder Sonnenschutzmittel und vergleichbare ölige Produkte. Wenn Sie diese Arten von Produkten verwenden, rät Invacare Ihnen, sich die Hände zu waschen, bevor Sie das HomeFill Gerät verwenden. Sollten die Flaschenverbindungsstücke in Kontakt mit einer dieser Substanzen kommen, sollten sie mit einem feuchten Lappen abgewischt werden, bevor sie mit dem Kompressor verbunden werden.

Ölen oder schmieren Sie NIEMALS Verbindungselemente des Kompressors oder der Druckflaschen. Verwenden Sie NIEMALS irgendwelche vernetzenden Öle oder Schmiermittel wie WD-40 oder 3 in One. Wenn Schwierigkeiten beim Verbinden auftreten, stellen Sie sicher, dass die Flaschenverbindung genau senkrecht auf der Kompressorkupplung sitzt. Wenn die Schwierigkeiten andauern, kontaktieren Sie Ihren Fachhändler für Unterstützung.

Verwenden Sie mit diesem Produkt KEINEN Luftbefeuchter.

Lassen Sie die Druckflasche NICHT umkippen oder herunterfallen. Sichern Sie die Druckflaschen, sodass sie nicht umkippen können. Stellen Sie sicher, dass sich die Druckflasche stets in senkrechter Stellung befindet.

Bewahren Sie die Druckflaschen NICHT in der Nähe von Hitzequellen oder Flammen auf.

⚠ WARNUNG

Dieses Produkt ist mit einem Sicherheitsventil ausgestattet. Wenn Sie einen lauten Zisch- oder Plopplaut von dem Produkt hören, stellen Sie die Verwendung des Produkts ein, drehen das Strömungsrad in die Position „AUS“ (OFF). Wenden Sie sich an Ihren Fachhändler/Hauspflagedienst.

Verwenden Sie das Produkt NICHT im Schlaf ohne vorherige Rücksprache mit Ihrem Arzt.

Dieses Produkt ist für den Betrieb mit einer Standard-Nasenkanüle für die Sauerstoffzufuhr bei einem Einzellumen eines Erwachsenen mit einer maximalen Länge von 2,10 m vorgesehen.

Die Kanüle ist nur für den Gebrauch von Einzelpatienten vorgesehen.

Die Kanüle MUSS vor Gebrauch an einem Auslass angeschlossen werden.

Tragen Sie das Gerät NICHT unter der Kleidung, wenn es in Betrieb ist. Wenn das Produkt in Betrieb ist, wird eine geringe Menge Sauerstoff entlüftet. Wenn das Gerät unter der Kleidung getragen wird, kann sich das Gewebe mit Sauerstoff sättigen, wodurch es bei einem Kontakt zu Funken oder einer Flamme sehr schnell verbrennt. Es kann mehrere Stunden dauern, bis der Sauerstoffgehalt im Gewebe wieder das normale Niveau erreicht hat.

Verwenden Sie das IOH200AW HomeFill-Gerät NICHT, um Druckflaschen im Freien oder bei einer Umgebungstemperatur von unter 13°C (55°F) zu befüllen.

ABSCHNITT 2—FUNKTIONEN

GEFAHR

Dieses Produkt ist nicht als Lebensverlängerungs- oder Lebenserhaltungsvorrichtung vorgesehen.

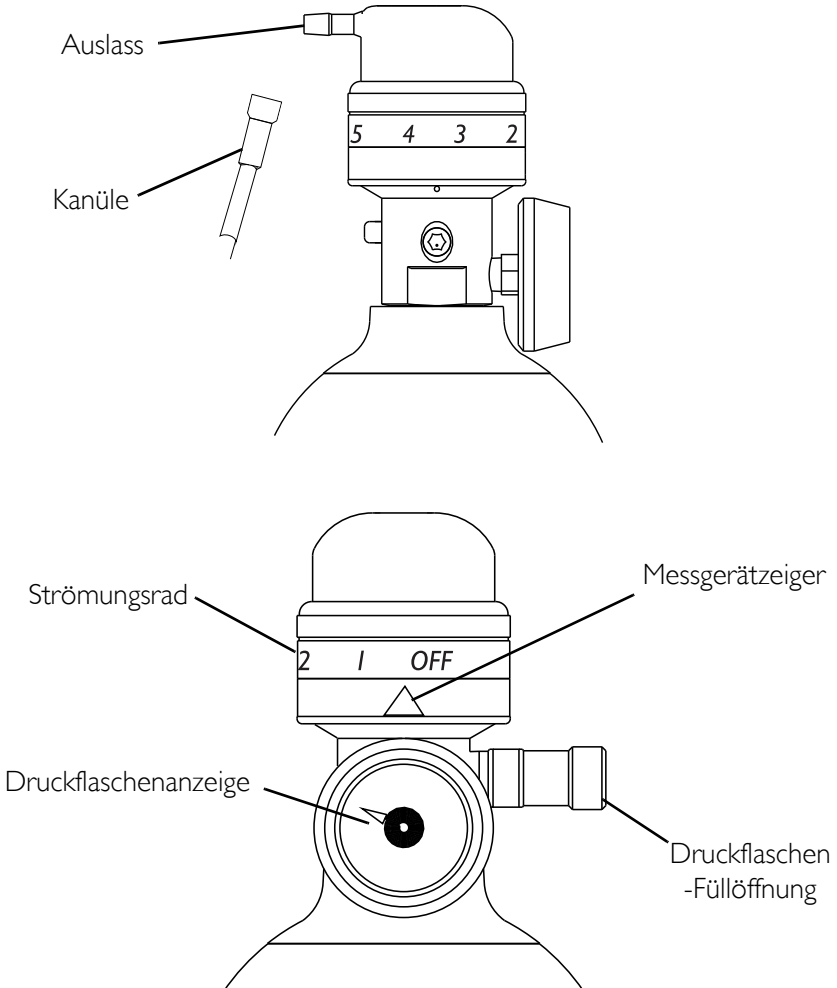


ABBILDUNG 2.1 Produktdarstellung

ABSCHNITT 3—TYPISCHE PRODUKTPARAMETER

EINLASSDRUCKBEREICH:	20,7 – 145 bar
INTERN GEREGLER DRUCK:	3,5 bar
ABMESSUNGEN:	HF2PCE6 - 1,0 Liters HF2PCE9 - 1,7 Liters
HF2PCE6: GEWICHT	1,86 kg
HF2PCE6: GESAMTLÄNGE	27,7 cm
HF2PCE6: DURCHMESSER	11,1 cm
HF2PCE9: GEWICHT	2,31 kg
HF2PCE9: GESAMTLÄNGE	35,5 cm
HF2PCE9: DURCHMESSER	11,1 cm
IMPULSEINSTELLUNGEN:	1, 2, 3, 4 und 5
STRÖMUNGSEINSTELLUNGEN:	2 l/min Kontinuierlich
EINSPARUNGSVERHÄLTNIS:	Bis zu 5,7:1
KANÜLE VORAUSSETZUNG:	1,21 m (empfohlen und max. (MS0204) 2,10 m) lange Standard-Nasenskanüle für die Sauerstoffzufuhr bei einem Einzellumen eines Erwachsenen
BETRIEBSBEDINGUNGEN, TEMPERATUR:	1,7 °C bis 40,6 °C
HÖHE:	0 bis 3071 m
LAGERBEDINGUNGEN TEMPERATUR:	-40 °C bis 60 °C
MAXIMALE LUFTFEUCHTIGKEIT:	95 %
PRODUKTKLASSIFIZIERUNG	Klasse IIB
AUFFÜHRUNG DER BESTIMMUNGEN UND VORSCHRIFTEN	Erfüllt die Richtlinie 93/42/EWG über Medizinprodukte

ABSCHNITT 4—KONTROLLE UND KOMPRESSOR-SCHNITTSTELLE

HINWEIS: Anweisungen zur Bedienung des Kompressors finden Sie im Benutzerhandbuch zum HomeFill-System.

Kontrolle der Vorabbefüllung der Druckflasche

GEFAHR

Ein falsches Befüllen oder ein Missbrauch dieser Druckflasche oder eine Nichtbeachtung dieser Sicherheitshinweise kann zu schweren Verletzungen oder dem Tod führen. Oxidierendes Hochdruckgas beschleunigt die Verbrennung stark.

Verändern oder modifizieren Sie die Druckflasche oder entsprechende Komponenten **NICHT**.

Verwenden Sie **KEIN ÖL** und **KEINE** Schmiere. Halten Sie die Druckflasche, das Druckflaschenventil, alle Geräte und Anschlüsse frei von Öl und Schmiere, um eine heftige Entzündung zu vermeiden, die zu schweren Verletzungen oder dem Tod führen kann.

WARNUNG

Verwenden Sie medizinische Geräte nur gemäß den Anweisungen eines Arztes oder des qualifizierten medizinischen Fachpersonals. Die ununterbrochene Verwendung hoher Sauerstoffkonzentrationen über einen langen Zeitraum, ohne dass die Wirkung auf den Sauerstoffgehalt des Arterienblutes gemessen wird, kann schädlich sein.

⚠ WARNUNG

Vom HomeFill befüllte Sauerstoffdruckflaschen dürfen nur für den Eigengebrauch verwendet werden. „Eine Befüllung für den Wiederverkauf oder die Verwendung durch professionelle Benutzer ist nicht zulässig“.

Diese Druckflasche darf nur mit dem HomeFill-System verwendet werden. Diese Druckflasche enthält 93 ± 3 % Sauerstoff, der mithilfe des Druckwechseladsorptionsverfahrens aus einer Sauerstoffkonzentration gewonnen wird.

Die Handhabung der Druckflasche oder die Verwendung des Inhalts ist Ihnen nur gestattet, wenn Sie professionell geschult wurden, einschließlich der Notfallprozeduren.

Verwenden Sie diese Druckflasche in Übereinstimmung mit dem Benutzerhandbuch zum HomeFill. Öffnen Sie das Ventil langsam; schließen Sie das Ventil nach jedem Gebrauch und wenn die Druckflasche leer ist. Sichern Sie die Druckflasche während der Aufbewahrung und während des Gebrauchs. Rauchen ist im Druckflaschenbereich untersagt. Halten Sie die Druckflasche fern von Hitze, Flammen oder Funken. Halten Sie sie außer Reichweite von Kindern. Lassen Sie sie NICHT fallen.

Die Befüllung dieses Gases erfolgt ausschließlich mit HomeFill.

⚠ WARNUNG

Überholte und/oder höheren Temperaturen ausgesetzte Druckflaschen **MÜSSEN** vor dem Befüllen hydrostatisch getestet werden. Die Druckflaschentemperatur darf 52 °C nicht überschreiten. Aluminiumdruckflaschen, die Feuer oder erhöhten Temperaturen von über 177 °C ausgesetzt gewesen sind, **MÜSSEN** ausgemustert und von geschultem Fachpersonal entsorgt werden. Verwenden Sie **KEINE** kaustischen Abbeizmittel. Ventil- und Sicherheitsvorrichtungen **MÜSSEN** von geschultem und autorisiertem Personal ausgebaut und ausgewechselt werden. Ändern oder modifizieren Sie die Ventileinheit **NICHT**.

Alle Druckflaschen **MÜSSEN** vor dem Befüllen kontrolliert werden, ansonsten kann es zu Verletzungen oder Schäden kommen.

Rauchen Sie **NIE** in einem Bereich, in dem Sauerstoff verabreicht wird.

Verwenden Sie das Produkt **NIE** in der Nähe einer Flamme oder nahe entzündlichen/explosiven Substanzen, Dämpfen oder in einer entzündlichen/explosiven Umgebung.

HINWEIS: Weitere Angaben zu diesem Verfahren finden Sie unter ABBILDUNG 4.1.

Der Termin für den hydrostatischen Test

Aluminiumdruckflaschen MÜSSEN alle fünf Jahre getestet werden.

WARNUNG

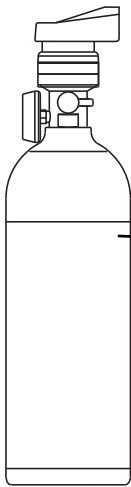
Befüllen Sie NUR Druckflaschen, die innerhalb der letzten fünf Jahre getestet wurden. Ansonsten kann dies zu schweren Verletzungen führen. Wenden Sie sich für Ersatzdruckflaschen an Ihren Fachhändler.

Untersuchung der Außenflächen

1. Untersuchen Sie die Druckflasche von außen auf folgende Zustände und ersetzen Sie die Druckflasche, wenn einer dieser Zustände vorhanden ist:
 - Beulen oder Dellen
 - Zündstellen
 - Öl oder Schmiere
 - Andere Anzeichen von Schäden, durch die eine Druckflasche unbrauchbar oder für den Gebrauch zu unsicher wird.
2. Untersuchen Sie die Druckflasche auf Anzeichen von Feuer oder Wärmeschäden. Diese Anzeichen umfassen Ankohlungen oder ein Aufplatzen des Lacks bzw. einer anderen Schutzummantelung oder eine wärmeempfindliche Anzeige. Sind Anzeichen von Brand- oder Wärmeschäden vorhanden, ersetzen Sie die Druckflasche.
3. Kontrollieren Sie die Druckflaschen-Füllöffnung auf Folgendes:
 - Rückstände, Öl oder Schmiere
 - Sichtbare Anzeichen von Schäden

- Anzeichen von Korrosion innerhalb des Ventils
- Anzeichen von übermäßiger Hitze oder Brandschäden

HINWEIS: Verwenden Sie die Druckflasche NICHT, wenn Sie von diesen Dingen irgendwelche vorfinden. Wenden Sie sich für Ersatzdruckflaschen an Ihren Fachhändler.



Warnschild

Diese Druckflasche darf nur mit dem HomeFill-System verwendet werden.

Diese Druckflasche enthält 93 ± 3 % Sauerstoff.

Die Druckflasche an einem gut belüfteten Ort aufbewahren.

Von brennbaren Materialien fernhalten.

Frei von Öl und Schmiere halten.

Weitere Warnhinweise, Vorsichtshinweise und Sicherheitshinweise finden Sie im Benutzerhandbuch zum HomeFill-System.

ABBILDUNG 4.1 Untersuchung der Außenflächen

Anschließen/Trennen der Druckflasche am/vom Kompressor

Anschließen der Druckflasche am Kompressor

WARNUNG

Verwenden Sie **NIE** irgendwelche Werkzeuge für das Anschließen/Trennen der Druckflasche am bzw. vom Kompressor. Ansonsten kann es zu schweren Verletzungen und/oder Schäden kommen.

Lassen Sie Sauerstoff-Druckflaschen **NICHT** fallen. Verwenden Sie bei der Handhabung/beim Transport von Sauerstoff-Druckflaschen stets beide Hände. Ansonsten kann es zu Verletzungen und/oder Schäden kommen.

Verwenden Sie **KEINEN** flüssigen Dichtigkeitsprüfer für die Dichtigkeitsprüfung.

HINWEIS: Nähere Angaben zu diesem Verfahren finden Sie in ABBILDUNG 4.2 und ABBILDUNG 4.3.

1. Untersuchen Sie die Druckflaschenanzeige. Weist die Druckflasche einen Druck von weniger als 103,5 bar auf, fahren Sie mit Schritt 2 fort (ABBILDUNG 4.3).

HINWEIS: Weist die Druckflasche einen Druck von mehr als 103,5 bar auf, versuchen Sie NICHT, die Druckflasche aufzufüllen. Möglicherweise lässt sie sich nicht auffüllen.

2. Stellen Sie das Regler-Strömungsrad an der Druckflasche auf AUS (OFF) (ABBILDUNG 4.3).
3. Entfernen Sie die Druckflasche und die Anschluss-Füllöffnungsabdeckungen (sofern vorhanden).

ACHTUNG

Schließen Sie den Ausgang (Kanüle) nicht am HomeFill-Gerät an, ansonsten arbeitet die Sauerstoff-Druckflasche nicht ordnungsgemäß.

4. Drücken Sie den äußeren Ring (die Manschette) der Anschluss-Füllöffnung kurzzeitig **HERUNTER**, um den Anschluss, wie in **ABBILDUNG 4.2** dargestellt, zurückzusetzen.

***HINWEIS:** Befindet sich der äußere Ring (die Manschette) in der Stellung **OBEN (UP)** (der **GRÜNE Punkt** ist nicht sichtbar), kann die Anschluss-Füllöffnung die Druckflaschen-Füllöffnung nicht aufnehmen. Durch kurzzeitiges **HERUNTERDRÜCKEN** wird die Anschluss-Füllöffnung zurückgesetzt (**GRÜNE Punkte** sichtbar), sodass sie die Druckflaschen-Füllöffnung jetzt aufnimmt.*

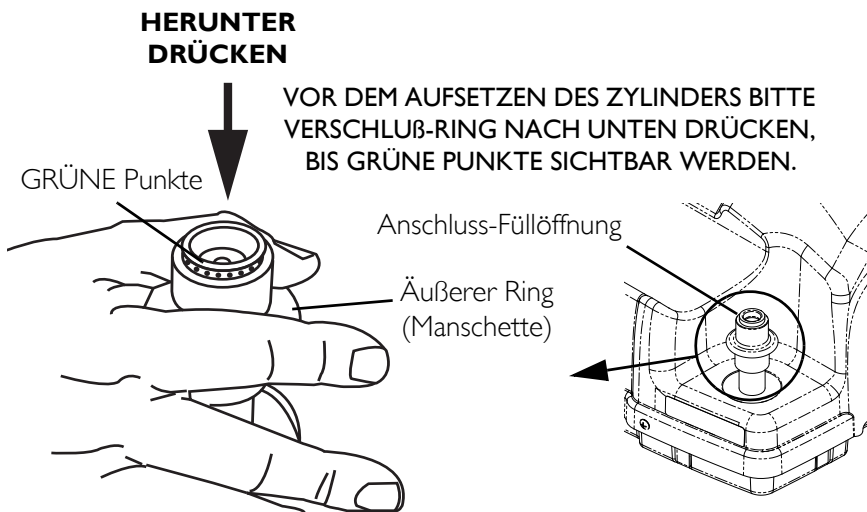
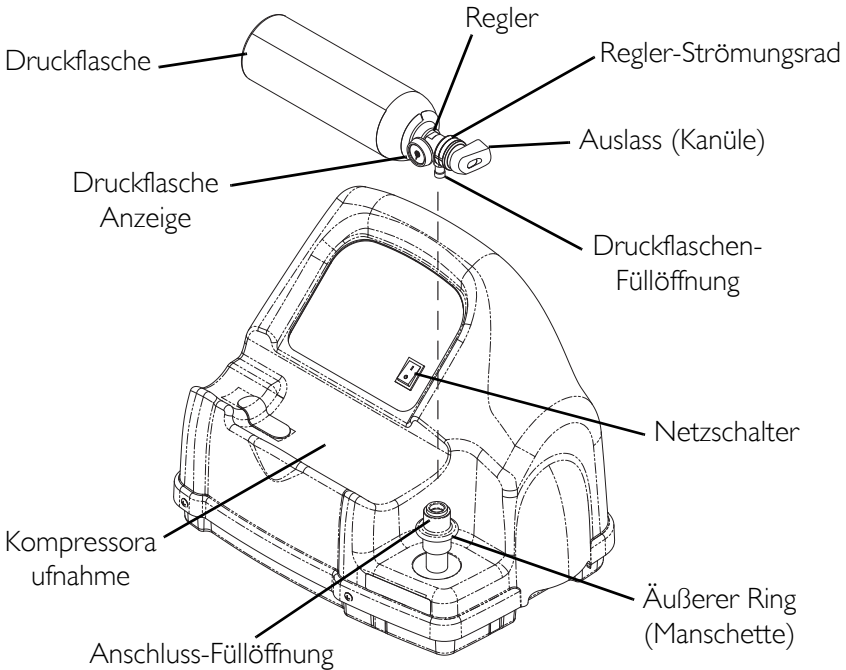
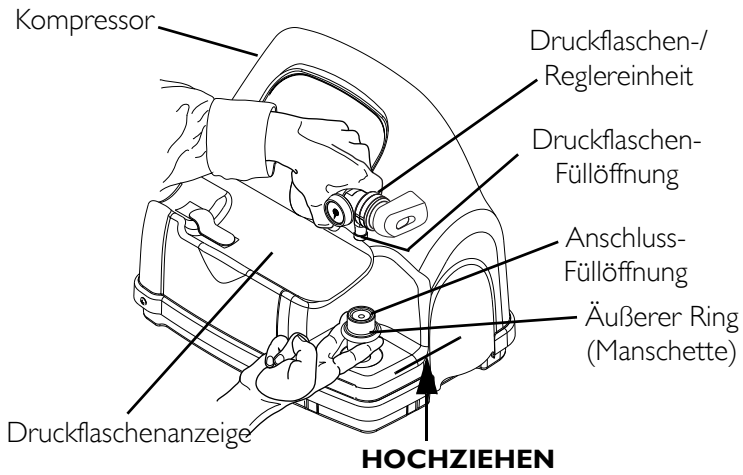


ABBILDUNG 4.2 Zurücksetzen der Anschluss-Füllöffnung

5. Fassen Sie die Druckflaschen-/Reglereinheit in dem Bereich hinter der Druckflaschenanzeige an (**ABBILDUNG 4.3**).

6. Richten Sie die Druckflasche in der Kompressoraufnahme aus (ABBILDUNG 4.3).
7. Richten Sie die Druckflaschen-Füllöffnung mit der Anschluss-Füllöffnung aus (ABBILDUNG 4.3).
8. Ziehen Sie den äußeren Ring (die Manschette) der Anschluss-Füllöffnung hoch, während Sie gleichzeitig AUF die Druckflaschen-/Reglereinheit DRÜCKEN, um die Druckflaschen-Füllöffnung in der Anschluss-Füllöffnung einrasten zu lassen (ABBILDUNG 4.3).

HINWEIS: Die Druckflasche ist ordnungsgemäß angeschlossen, wenn ein hörbarer "Klickton" zu hören ist.



HINWEIS: Der Deutlichkeit wegen sind die Füllöffnungsabdeckungen nicht abgebildet.

ABBILDUNG 4.3 Anschließen der Druckflasche am Kompressor

Trennen der Druckflasche vom Kompressor

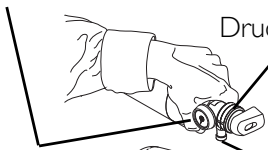
WARNUNG

Verwenden Sie NIE irgendwelche Werkzeuge für das Anschließen/Trennen der Druckflasche am bzw. vom Kompressor. Ansonsten kann es zu schweren Verletzungen und/oder Schäden kommen.

HINWEIS: Nähere Angaben zu diesem Verfahren finden Sie unter ABBILDUNG 4.4.

1. Stellen Sie den Netzschalter des Kompressors in die Position „AUS“ (OFF) (O).
2. Fassen Sie die Druckflaschen-/Reglereinheit in dem Bereich hinter der Druckflaschenanzeige an.
3. Ergreifen Sie mit der anderen Hand den äußeren Ring (die Manschette) der Anschluss-Füllöffnung und drücken Sie sie nach UNTEN.
4. Heben Sie die Druckflaschen-/Reglereinheit an, um sie von der Anschluss-Füllöffnung zu entfernen.

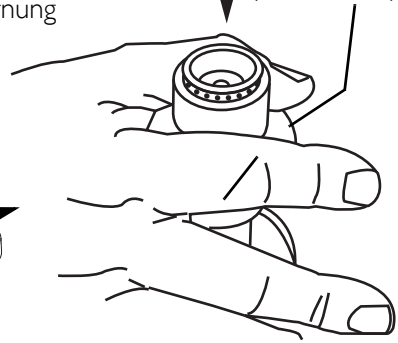
Druckflaschenanzeige



Druckflaschen-/Reglereinheit

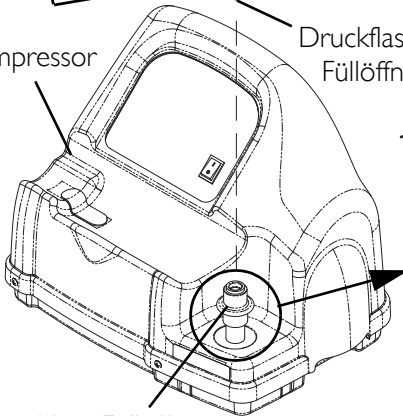
HERUNTERDRÜCKEN

↓
Äußerer Ring
(Manschette)



Kompressor

Druckflaschen-
Füllöffnung



Anschluss-Füllöffnung

ABBILDUNG 4.4 Trennen der Druckflasche vom Kompressor

5. Wenn die Druckflaschen-Füllöffnung von der Anschluss-Füllöffnung getrennt ist, lösen Sie den äußeren Ring (Manschette) der Anschluss-Füllöffnung und entfernen die Druckflasche mit beiden Händen aus der Kompressoraufnahme.

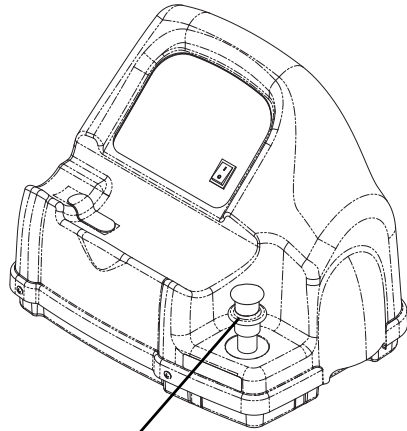
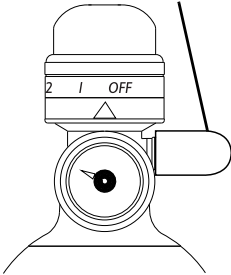
⚠️ WARNUNG

Die Abdeckungen an der Anschluss-Füllöffnung und der an der Druckflasche MÜSSEN wieder aufgesetzt werden, wenn diese nicht gebraucht werden. Wenn die Anschlussabdeckungen fehlen, kontaktieren Sie Ihren Fachhändler vor dem Gebrauch.

6. Schieben Sie die Füllöffnungsabdeckungen über die Anschluss- und Druckflaschen-Füllöffnungen.

7. Überprüfen Sie die Druckflaschenanzeige um sicher zu stellen, dass die Druckflasche voll ist (Nadel im GRÜNEN Bereich). Wenn die Druckflasche nicht voll ist, wie folgt vorgehen:
- Wiederholen Sie die in Abschnitt Anschließen der Druckflasche am Kompressor auf Seite 74 beschriebenen SCHRITTE 1-8.
 - Wenn die Druckflasche auch nach dem zweiten Versuch nicht voll ist, verwenden Sie die Druckflasche NICHT und treten Sie mit Ihrem Fachhändler in Verbindung.

Anschlussabdeckung der
Druckflasche



Anschlussabdeckung der
Verbindungseinheit

ABBILDUNG 4.5 Anschlussabdeckungen

ABSCHNITT 5— BEDIENUNGSANLEITUNG

⚠ WARNUNG

Rauchen Sie NIE in einem Bereich, in dem Sauerstoff verabreicht wird.

Verwenden Sie das Produkt NIE in der Nähe einer Flamme oder nahe entzündlichen/explosiven Substanzen, Dämpfen oder in einer entzündlichen/explosiven Umgebung.

*HINWEIS:Nähere Angaben zu diesem Verfahren finden Sie unter **ABBILDUNG 5.1**.*

1. Prüfen Sie das Produkt vor jedem Gebrauch auf sichtbare Schäden. Verwenden Sie es **NICHT**, wenn Sie Schäden feststellen.

HINWEIS:Wenn ein Etikett unleserlich wird oder verloren geht, wenden Sie sich an Ihren Fachhändler/Hauspflegedienst.

2. Stellen Sie sicher, dass die Regler in der Stellung „AUS“ (OFF) stehen. Richten Sie „AUS“ mit dem Messgerätzeiger aus.
 3. Richten Sie die Druckflasche so aus, dass der Ventilauslass der Sauerstoffdruckflasche vom Benutzer und allen anderen Personen wegzeigt.
-

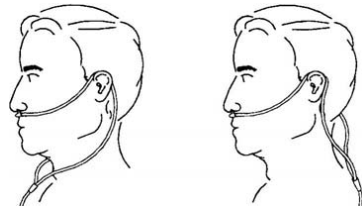
⚠ WARNUNG

Richten Sie beim Einstellen des Strömungsgrads den Sauerstoffstrom NICHT direkt auf Personen oder entzündliche Materialien.

- Schließen Sie eine Standard-Nasenkanüle für die Sauerstoffzufuhr bei einem Einzellumen eines Erwachsenen von nicht mehr als 2,10 m gemäß den Herstelleranweisungen am Produktauslass an. Verwenden Sie KEINE pädiatrischen Nasenkanülen für eine geringe Strömung oder Sauerstoffmasken mit diesem Produkt.

HINWEIS: Ein Gerät ohne angeschlossene Kanüle kann pulsieren, wenn es in die Stellungen 1 bis 5 gestellt wird.

- Platzieren Sie die Kanüle über Ihre Ohren und führen Sie die Stifte in ihre Nase ein, wie von Ihrem Arzt oder dem Kanülenhersteller angewiesen. Siehe **ABBILDUNG 5.1**.



- Drehen Sie am Rad, bis der Messgerätzeiger mit der vorgeschriebenen Einstellung übereinstimmt.

ABBILDUNG 5.1 Platzierung der Kanüle

⚠ WARNUNG

Es wird empfohlen, die Druckflasche am Invacare HomeFill-Kompressor aufzufüllen, wenn der Zeiger an der Inhaltsanzeige in den roten Bereich gelangt.

Zwischen den Einstellungsoptionen wird KEIN SAUERSTOFF abgegeben. Um die gewünschte Strömungsstärke zu erhalten, muss der Messgerätzeiger genau mit einer bestimmten Zahl am Strömungsrad ausgerichtet sein.

⚠ WARNUNG

Um eine Verletzung des Patienten zu vermeiden, überprüfen Sie STETS die vorgeschriebene Einstellung, bevor Sie dem Patienten Sauerstoff verabreichen. Führen Sie häufige Strömungskontrollen durch.

Verwenden Sie ausschließlich die Tragetasche HF2PC9BAG der Invacare Corporation.

7. Atmen Sie durch die Nase und fühlen Sie beim Einatmen einen Sauerstoffimpuls.

HINWEIS:In der Impulseinstellung gibt es nur zu Beginn eines jeden Atemzugs eine Strömung oder einen Impuls. Wenn Sie keinen Impuls zu Beginn eines Atemzugs fühlen, überprüfen Sie die Einstellung.

HINWEIS:Da das Atmungsmuster jedes Patienten anders ist und die Umgebung variiert, kann es schwierig sein, sehr niedrig eingestellte Impulse zu fühlen.

HINWEIS:Verwenden Sie ausschließlich die dauerhafte Einstellung von 2 l/min, wenn die Druckflasche bei einer Temperatur von unter 2° C (35° F) betrieben wird.

ABSCHNITT 6—WARTUNG

1. Reinigen Sie das Produkt nach jedem Gebrauch von außen nur mit einem trockenen, fussel­freien Tuch.
2. Bewahren Sie das Produkt in einem sauberen Bereich, fern von Schmiere, Öl und anderen Kontaminationsquellen.

ACHTUNG

Verwenden Sie KEINE Reinigungslösungen.

Tauchen Sie das Produkt NICHT in Flüssigkeit ein.

Alle Reparaturen MÜSSEN von der Invacare Corporation vorgenommen werden.

Ersatzteile - Zubehör

Tragetasche HF2PC6BAG

Tragetasche HF2PC9BAG

ABSCHNITT 7—DRUCKFLASCHEN-FÜLLZEITEN

HINWEIS: Alle Füllzeiten sind Näherungswerte und können je nach Umgebungsbedingungen variieren.

Druckflaschen-Füllzeiten	Konzentrator-Strömungsrate zum Patienten: (Platinum 5 bis zu 2,5 l/Min.) (Platinum 9 bis zu 5 l/Min.)	
	HF2PCE6	HF2PCE9
NORMAL	1 Std. 25 Min.	2 Std. 20 Min.

Fehlerbehebung

Wenn die Druckflasche nicht oder nicht richtig funktioniert, lesen Sie den Leitfaden zur Fehlerbehebung. Lässt sich das Problem nicht beheben, wenden Sie sich an Ihren Fachhändler/Hauspflagedienst.

PROBLEM	MÖGLICHE URSACHE	LÖSUNG
Keine Strömung.	<ol style="list-style-type: none"> 1. Der Regler steht in der Stellung „AUS“ (OFF). 2. Die Druckflasche ist leer. 3. Das Rad ist nicht auf eine Einstellung gestellt. 4. Der Konservator erfasst keinen Atem. 	<ol style="list-style-type: none"> 1. Auf die vorgeschriebene Einstellung stellen. 2. Ersetzen/Druckflasche befüllen. 3. Stellen Sie das Rad so, dass der Zeiger auf eine Einstellung zeigt. 4. Überprüfen Sie die Position der Kanüle in der Nase. Atmen Sie nicht durch den Mund. 5. Überprüfen Sie, ob die Kanüle abgeknickt ist.

GARANTIE

Nähere Informationen zur Garantie erhalten Sie bei unserem Kundendienst an folgenden Orten:

Deutschland:

Invacare Aquatec GmbH, Alemannenstraße 10, D-88316 Isny
Tel: (49) (0) 75 62 7 00 0, Fax: (49) (0) 75 62 7 00 66
info@invacare-aquatec.com

European Distributor Organisation:

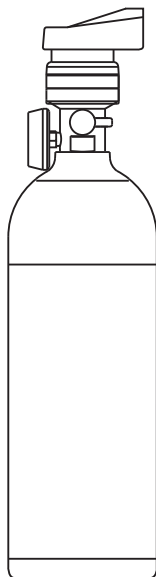
Invacare, Kleiststraße 49, D-32457 Porta Westfalica
Tel: (49) (0) 57 31 754 540, Fax: (49) (0) 57 31 754 541
edo@invacare.com

Manuale dell'operatore

HomeFill[®] II **Bombola per la conservazione** **dell'ossigeno**

HF2PCE6

HF2PCE9



Rivenditore: Questo manuale DEVE essere consegnato all'utente finale.

Utente: Prima di utilizzare la bombola, leggere questo manuale e conservarlo per consultazioni future.

**Per maggiori informazioni relative a
prodotti, parti di ricambio e servizi
Invacare, visitare il sito
www.invacare.com**



Yes, you can.[®]

⚠ AVVERTENZA

NON UTILIZZARE QUESTA APPARECCHIATURA SENZA PRIMA AVER LETTO E COMPRESO QUESTO MANUALE. SE NON SI COMPRENDONO LE AVVERTENZE, I MESSAGGI DI ATTENZIONE E LE ISTRUZIONI, RIVOLGERSI A UN OPERATORE SANITARIO, RIVENDITORE O TECNICO QUALIFICATO PRIMA DI PROVARE A UTILIZZARE QUESTA APPARECCHIATURA. IN CASO CONTRARIO, POSSONO VERIFICARSI LESIONI O DANNI.

⚠ AVVERTENZA

I prodotti Invacare sono specificamente progettati e fabbricati per essere utilizzati insieme agli accessori Invacare. Gli accessori progettati da altri produttori non sono stati testati da Invacare e pertanto se ne sconsiglia l'utilizzo con i prodotti Invacare.

⚠ PERICOLO

NON FUMARE durante l'utilizzo di questo dispositivo. Tenere i fiammiferi, le sigarette accese o altre fonti di incendio fuori dal locale in cui è ubicato questo prodotto e lontane dal punto in cui viene erogato ossigeno.

Stoffe e altri materiali che normalmente non brucerebbero si infiammano facilmente e bruciano con grande intensità in presenza di aria arricchita da ossigeno. La mancata osservanza di questo avvertimento può essere causa di gravi incendi, danni alle proprietà e lesioni fisiche o decesso.

NOTA: Le informazioni contenute in questo documento sono soggette a variazioni senza preavviso.

NOTA: Versioni aggiornate di questo manuale sono disponibili sul sito www.invacare.com.

SOMMARIO

NOTE SPECIALI	91
ISPEZIONE DEL PRODOTTO	91
USO PREVISTO	92
SECTION 1—INDICAZIONI GENERALI	93
SECTION 2—CARATTERISTICHE	97
SECTION 3—PARAMETRI TIPICI DEL PRODOTTO	98
SECTION 4—ISPEZIONE E INTERFACCIA DEL COMPRESSORE	100
Ispezione preliminare al riempimento della bombola	100
Connessione/disconnessione della bombola dal compressore..	104
SECTION 5—ISTRUZIONI DI FUNZIONAMENTO	112
SECTION 6—MANUTENZIONE	115
Parti di ricambio - Accessori.....	115
SECTION 7—TEMPI DI RIEMPIMENTO DELLA BOMBOLA	116
Risoluzione dei problemi.....	116
INFORMAZIONI SULLA GARANZIA	117

NOTE SPECIALI

Le parole utilizzate in questo manuale per le segnalazioni si riferiscono a situazioni o procedure pericolose che potrebbero causare lesioni alle persone o danni alle proprietà. Per una definizione delle parole utilizzate per le segnalazioni fare riferimento alla seguente tabella.

SEGNALAZIONE	SIGNIFICATO
PERICOLO	Pericolo indica una situazione di pericolo imminente che, se non evitata, provoca il decesso o lesioni gravi.
AVVERTENZA	Avvertenza indica una situazione di potenziale pericolo che, se non evitata, potrebbe provocare il decesso o lesioni gravi.
ATTENZIONE	Attenzione indica una situazione di potenziale pericolo che, se non evitata, può provocare danni alle proprietà.

ISPEZIONE DEL PRODOTTO

Rimuovere il prodotto dalla confezione e ispezionarlo per verificare che non presenti danni. In presenza di eventuali danni, **NON** utilizzare il prodotto. Rivolgersi al proprio rivenditore/fornitore di apparecchiature per la cura a domicilio.

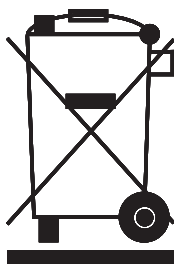
USO PREVISTO

Rifornire, regolare ed erogare ossigeno supplementare a pazienti con difficoltà di estrazione dell'ossigeno dall'aria che respirano. È pensato per pazienti che normalmente ricevono l'ossigeno tramite una cannula nasale. Il dispositivo eroga ossigeno al 93% USP a varie impostazioni di flusso/impulsi. Inoltre è progettato per essere utilizzato come dispositivo per il rifornimento di ossigeno in grado di ridurre la disidratazione delle vie aeree.

Questo prodotto è stato fornito da un fabbricante in conformità alla direttiva "Gestione dei Rifiuti di Apparecchiature Elettriche ed Elettroniche (RAEE)" 2002/96/CE.

Questo prodotto potrebbe contenere delle sostanze nocive all'ambiente se smaltite in maniera non corretta o lasciate in punti di raccolta non appropriati e non conformi a quanto previsto dalla Legislazione Nazionale.

Il simbolo "contenitore di spazzatura barrato" vi invita a comportarvi in maniera responsabile e a rispettare l'ambiente favorendo il reimpiego, recupero e riciclaggio dei componenti elettrici ed elettronici che, solo al termine del loro ciclo di vita, vanno raccolti e smaltiti in modo separato presso appropriate strutture di raccolta differenziata.



SEZIONE I—INDICAZIONI GENERALI

AVVERTENZA

SEZIONE I - INDICAZIONI GENERALI contiene informazioni importanti per il funzionamento e l'utilizzo in sicurezza di questo prodotto. **NON** utilizzare questo prodotto o qualsiasi apparecchiatura opzionale disponibile senza prima aver letto e compreso interamente queste istruzioni e ogni ulteriore materiale didattico quali manuali dell'utente, manuali di servizio o fogli di istruzioni forniti con questo prodotto o con apparecchiature opzionali. Se non si comprendono le avvertenze, i messaggi di attenzione o le istruzioni, rivolgersi a un operatore sanitario, rivenditore o tecnico qualificato prima di provare a utilizzare questa apparecchiatura. In caso contrario, possono verificarsi lesioni o danni.

AVVERTENZA

Questo prodotto deve essere adoperato esclusivamente da personale adeguatamente preparato e addestrato all'utilizzo della bombola per la conservazione dell'ossigeno HomeFill II.

Il prodotto contiene materiale magnetico ferroso e può interferire con i risultati di sistemi RM.

Verificare che tutte le connessioni siano ben strette e senza perdite.

NON utilizzare un rilevatore di perdite liquide per verificare l'assenza di perdite.

NON autoclavare.

NON sterilizzare a gas con ossido di etilene.

NON pulire con idrocarburi aromatici.

⚠ AVVERTENZA

NON tentare di riparare il prodotto.

NON immergere il prodotto in qualsiasi tipo di liquido.

Quando non utilizzato, conservare il prodotto in un ambiente pulito.

Utilizzare unicamente la borsa da trasporto Invacare Corporation HF2PC9BAG.

Non fumare MAI in ambienti in cui viene somministrato ossigeno.

Verificare SEMPRE la dose prescritta prima della somministrazione al paziente e monitorare frequentemente.

NON utilizzare se sono presenti tracce di sporco o contaminanti nei pressi o sulla superficie stessa della bombola, della valvola, del prodotto o dei dispositivi di connessione.

Non utilizzare MAI nei pressi di qualsiasi tipo di fiamma o vapori, atmosfera e sostanze infiammabili/esplosive.

L'OSSIGENO NON viene somministrato quando la freccia è allineata con "Off".

NON bloccare il riduttore di uscita o attorcigliare la cannula quando il prodotto è in uso, in quanto ciò potrebbe danneggiare l'unità.

L'utilizzo di questo dispositivo è limitato al paziente. Le bombole DEVONO essere utilizzate unicamente dal paziente e non devono essere distribuite ad altre persone per qualsiasi altro scopo.

Questo prodotto NON deve essere utilizzato da pazienti che respirano con la bocca.

⚠ AVVERTENZA

L'olio eventualmente presente sulle mani o di altra provenienza **NON** deve assolutamente venire a contatto con il giunto del compressore o con i raccordi delle bombole. Queste sostanze possono diventare infiammabili in presenza di ossigeno e provocare lesioni. Evitare quanto più possibile di toccare il raccordo della bombola. Vanno evitate ad esempio sostanze quali le creme o le lozioni per le mani, l'olio da cucina, gli oli abbronzanti o le creme solari e prodotti analoghi a base oleosa. Se si utilizza questo tipo di prodotti, Invacare suggerisce di lavare le mani prima di utilizzare l'unità HomeFill II. Se il raccordo della bombola viene in contatto con tali sostanze, pulirlo a fondo con un panno umido prima di collegarlo al compressore.

Non oliare né lubrificare **MAI** l'accoppiatore del compressore né i raccordi delle bombole. Non utilizzare **MAI** olio o lubrificante penetrante come ad esempio WD-40 o 3 in Uno. In caso di difficoltà nell'effettuare il collegamento, verificare che il raccordo della bombola venga inserito perpendicolarmente verso il basso nell'accoppiatore del compressore. Se il problema persiste, contattare il fornitore per assistenza.

NON utilizzare un umidificatore con questo prodotto.

NON far rovesciare o cadere le bombole. Fissare le bombole di gas in modo che non possano cadere. Accertarsi che la bombola sia sempre in posizione verticale.

NON conservare le bombole vicino a fonti di calore o fuoco.

Questo prodotto è dotato di valvola di sicurezza. Se si avverte un forte sibilo o scoppietto provenire dal prodotto, interrompere l'utilizzo, girare il selettore di flusso in posizione "Off" e rivolgersi al proprio rivenditore/fornitore di apparecchiature per la cura a domicilio.

NON utilizzare mentre si dorme senza consultare il proprio medico.

⚠ AVVERTENZA

Questo prodotto è progettato per funzionare con una cannula nasale ossigeno per adulti con un solo lume standard e una lunghezza massima di 2,1 m (7 ft).

La cannula può essere utilizzata per un solo paziente.

La cannula DEVE essere installata sulla connessione di uscita prima dell'utilizzo.

NON collocare l'unità sotto gli abiti durante l'utilizzo.

Quando questo prodotto è in uso, viene rilasciata una piccola quantità di ossigeno. Se si indossa l'unità sotto gli abiti, le stoffe degli abiti possono saturarsi di ossigeno e diventare altamente infiammabili se esposte a scintille o fiamme.

Possono essere necessarie diverse ore per ristabilire i normali livelli di ossigeno nelle stoffe.

NON utilizzare l'unità HomeFill II IOH200AW per riempire la bombola all'aperto o in presenza di temperature inferiori a 13 °C (55°F).

SEZIONE 2—CARATTERISTICHE

⚠ PERICOLO

Questo prodotto non è progettato come dispositivo per tenere in vita il paziente.

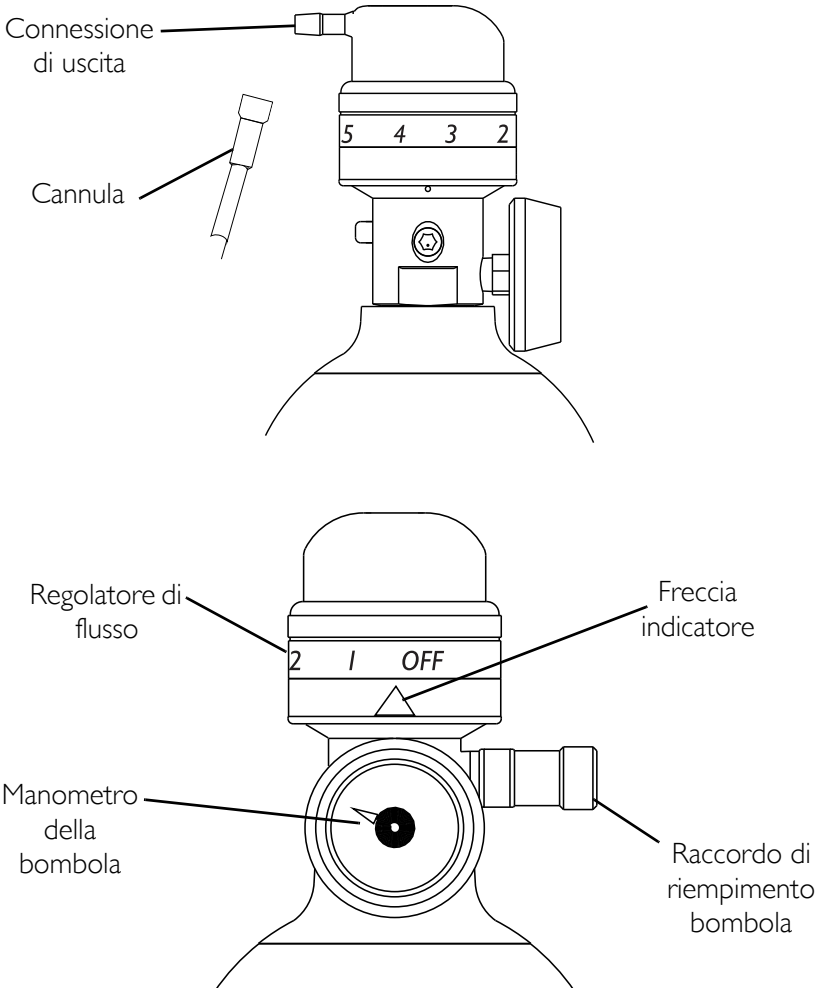


FIGURA 2.1 Schema del prodotto

SEZIONE 3—PARAMETRI TIPICI DEL PRODOTTO

INTERVALLO PRESSIONE IN ENTRATA:	20,7 - 145 bar (300 - 2100 psig)
PRESSIONE INTERNA REGOLATA:	3,5 bar (50 psig)
DIMENSIONI:	HF2PCE6 - 1,0 Liters HF2PCE9 - 1,7 Liters
HF2PCE6: PESO	1,86 kg (4,1 lb)
HF2PCE6: LUNGHEZZA COMPLESSIVA	27,7 cm (10,9 poll.)
HF2PCE6: DIAMETRO	11,1 cm (4,4 poll.)
HF2PCE9: PESO	2,31 kg (5,1 lb)
HF2PCE9: LUNGHEZZA COMPLESSIVA	35,5 cm (14 poll.)
HF2PCE9: DIAMETRO	11,1 cm (4,4 poll.)
IMPOSTAZIONI IMPULSO:	1, 2, 3, 4 e 5
IMPOSTAZIONI FLUSSO:	2 LPM continuo
RISPARMIO:	Fino a 5,7:l
REQUISITI CANNULA:	cannula nasale ossigeno per adulti con un solo lume standard, lunghezza consigliata 1,21 m (4 piedi) (MS0204), lunghezza massima 2,1 m (7 piedi).
TEMPERATURA IN CONDIZIONI DI FUNZIONAMENTO:	da 1,7 °C (35 °F) a 40,6 °C (105 °F)
ALTITUDINE:	da 0 a 3071 m (da 0 a 10.000 piedi)
CONDIZIONI DI CONSERVAZIONE TEMPERATURA:	da -40 °C (-40 °F) a 60 °C (140 °F)
UMIDITÀ MASSIMA:	95%
CLASSIFICAZIONE PRODOTTO	Classe IIB

CONFORMITÀ NORMATIVA	Conforme alla Direttiva sui dispositivi medici 93/42/CEE
-----------------------------	--

SEZIONE 4—ISPEZIONE E INTERFACCIA DEL COMPRESSORE

NOTA: Per le istruzioni sul funzionamento del compressore, fare riferimento al manuale dell'utente di HomeFill.

Ispezione preliminare al riempimento della bombola

PERICOLO

Un errato riempimento o un uso improprio della bombola, oppure la mancata osservanza di queste istruzioni relative alla sicurezza può causare gravi lesioni personali o il decesso. Il gas ossidante ad alta pressione accelera fortemente la combustione.

NON alterare o modificare la bombola o i relativi componenti.

NON utilizzare olio o grasso. Evitare che la bombola, la valvola della bombola, tutta l'apparecchiatura e le connessioni vengano a contatto con olio o grasso per impedire il verificarsi di ignizioni violente con conseguenti lesioni gravi o decesso.

AVVERTENZA

Per le applicazioni mediche, utilizzare il prodotto unicamente secondo le modalità indicate da un medico autorizzato. L'uso ininterrotto e prolungato di alte concentrazioni di ossigeno senza monitorarne gli effetti sul contenuto di ossigeno del sangue arterioso può essere pericoloso.

Le bombole di ossigeno riempite mediante HomeFill devono essere utilizzate unicamente per uso personale. “Non possono essere destinate alla vendita o all'utilizzo professionale”.

⚠ AVVERTENZA

Questa bombola deve essere usata con il sistema HomeFill. Questa bombola contiene ossigeno al $93 \pm 3\%$ prodotto mediante una concentrazione di ossigeno utilizzando il processo PSA (Pressure Swing Adsorption).

NON maneggiare la bombola o utilizzarne il contenuto prima di aver ricevuto adeguata preparazione, incluse le procedure di emergenza.

Utilizzare questa bombola secondo le indicazioni contenute nel manuale dell'utente di HomeFill. Aprire la valvola lentamente; chiudere la valvola dopo ogni utilizzo e quando la bombola è vuota. Fissare la bombola durante la conservazione e l'utilizzo. Non fumare in prossimità della bombola. Tenere lontano da fonti di calore, fiamme o scintille. Tenere lontano dalla portata dei bambini. NON far cadere la bombola.

Il trasferimento del gas da un contenitore all'altro viene eseguito unicamente mediante HomeFill.

Le bombole che sono state rivestite e/o esposte a temperature elevate DEVONO essere sottoposte a test idrostatico prima del riempimento. La temperatura della bombola non deve superare i $52\text{ }^{\circ}\text{C}$ ($125\text{ }^{\circ}\text{F}$). Le bombole di alluminio sottoposte all'azione del fuoco o a temperature elevate superiori a $177\text{ }^{\circ}\text{C}$ ($350\text{ }^{\circ}\text{F}$) DEVONO essere ritirate dal servizio e rese inutilizzabili da personale qualificato. NON utilizzare sverniciatori corrosivi. La valvola e i dispositivi di rilascio di sicurezza DEVONO essere rimossi e sostituiti da personale qualificato e autorizzato. NON alterare o modificare il complesso valvola.

Le bombole DEVONO essere sempre ispezionate prima di tentare il riempimento; in caso contrario possono verificarsi lesioni o danni.

AVVERTENZA

Non fumare MAI in ambienti in cui viene somministrato ossigeno.

Non utilizzare MAI nei pressi di qualsiasi tipo di fiamma o vapori, atmosfera e sostanze infiammabili/esplosive.

NOTA: Per questa procedura, fare riferimento alla FIGURA 4.1.

Frequenza del test idrostatico

Le bombole di alluminio DEVONO essere testate ogni cinque anni.

AVVERTENZA

NON riempire le bombole non testate negli ultimi cinque anni. In caso contrario, possono verificarsi gravi lesioni. Per la sostituzione, rivolgersi al proprio rivenditore.

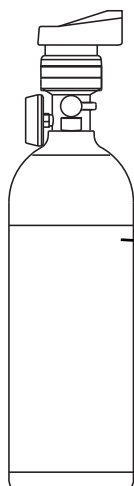
Ispezione esterna

1. Ispezionare l'esterno della bombola per verificare che non siano presenti le seguenti condizioni; in caso contrario sostituire la bombola:
 - Ammacature o rientranze
 - Saldature ad arco
 - Olio o grasso
 - Qualsiasi altra traccia di danni che potrebbero rendere la bombola inaccettabile o non sicura.
 2. Ispezionare la bombola per verificare che non vi siano tracce di danni termici o causati dal fuoco. Ad esempio, bruciatura o vescicatura della vernice o altre tracce di danni al rivestimento protettivo oppure segni di sbalzi di calore. Se si riscontrano tracce di danni termici o causati dal fuoco, sostituire la bombola.
-

3. Ispezionare il raccordo di riempimento della bombola per verificare l'assenza delle seguenti condizioni:

- Detriti, olio o grasso
- Segni evidenti di danni
- Segni di corrosione all'interno della valvola
- Segni di danni causati dal calore eccessivo o dal fuoco

NOTA: NON utilizzare la bombola se viene rilevata una qualsiasi di queste condizioni. Per la sostituzione, rivolgersi al proprio rivenditore.



Etichetta di avvertenza

Questa bombola deve essere usata con il sistema HomeFill.

Questa bombola contiene ossigeno al $93\pm 3\%$.

Tenere la bombola in un luogo ben ventilato.

Tenere lontano da materiale combustibile.

Evitare il contatto con olio o grasso.

Per altre avvertenze, messaggi di attenzione e istruzioni relative alla sicurezza, fare riferimento al manuale dell'utente di HomeFill.

FIGURA 4.1 Ispezione esterna

Connessione/disconnessione della bombola dal compressore

Connessione della bombola al compressore

⚠ AVVERTENZA

Non utilizzare MAI strumenti di qualsiasi tipo per connettere/disconnettere la bombola e il compressore. In caso contrario, possono verificarsi gravi lesioni e/o danni.

NON far cadere le bombole di ossigeno. Maneggiare e/o trasportare le bombole di ossigeno con due mani. In caso contrario, possono verificarsi lesioni o danni.

NON utilizzare un rilevatore di perdite liquide per verificare l'assenza di perdite.

NOTA: Per questa procedura, fare riferimento alla FIGURA 4.2 e alla FIGURA 4.3.

1. Esaminare il manometro della bombola. Se la pressione della bombola è inferiore a 103,5 bar (1500 psig), procedere al passo 2 (FIGURA 4.3).

NOTA: Se la pressione della bombola è superiore a 103,5 bar (1500 psig), NON tentare di riempire completamente la bombola. Potrebbe non riempirsi.

2. Impostare il regolatore di flusso della bombola su Off (FIGURA 4.3).
3. Rimuovere i coperchi del raccordo di riempimento della bombola e del connettore (se presenti).

ATTENZIONE

NON collegare la connessione di uscita (cannula) all'unità HomeFill, altrimenti la bombola non funzionerà correttamente.

4. Spingere brevemente in BASSO l'anello esterno (manicotto) del raccordo di riempimento del connettore per ripristinare il connettore come illustrato nella FIGURA 4.2.

NOTA: *Se l'anello esterno (manicotto) si trova in ALTO (puntini VERDI non visibili), non sarà possibile collegare il raccordo di riempimento della bombola al raccordo di riempimento del connettore. Spingendo brevemente in BASSO si ripristina il raccordo di riempimento del connettore (puntini VERDI visibili) e sarà quindi possibile collegare il raccordo di riempimento della bombola.*

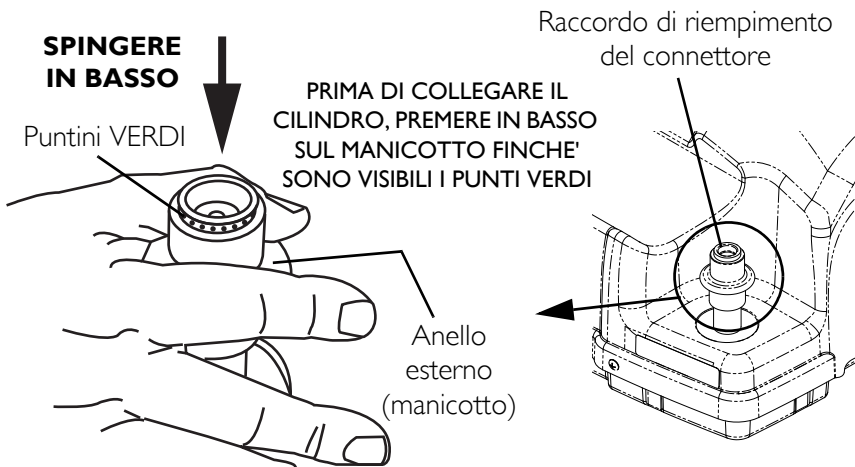
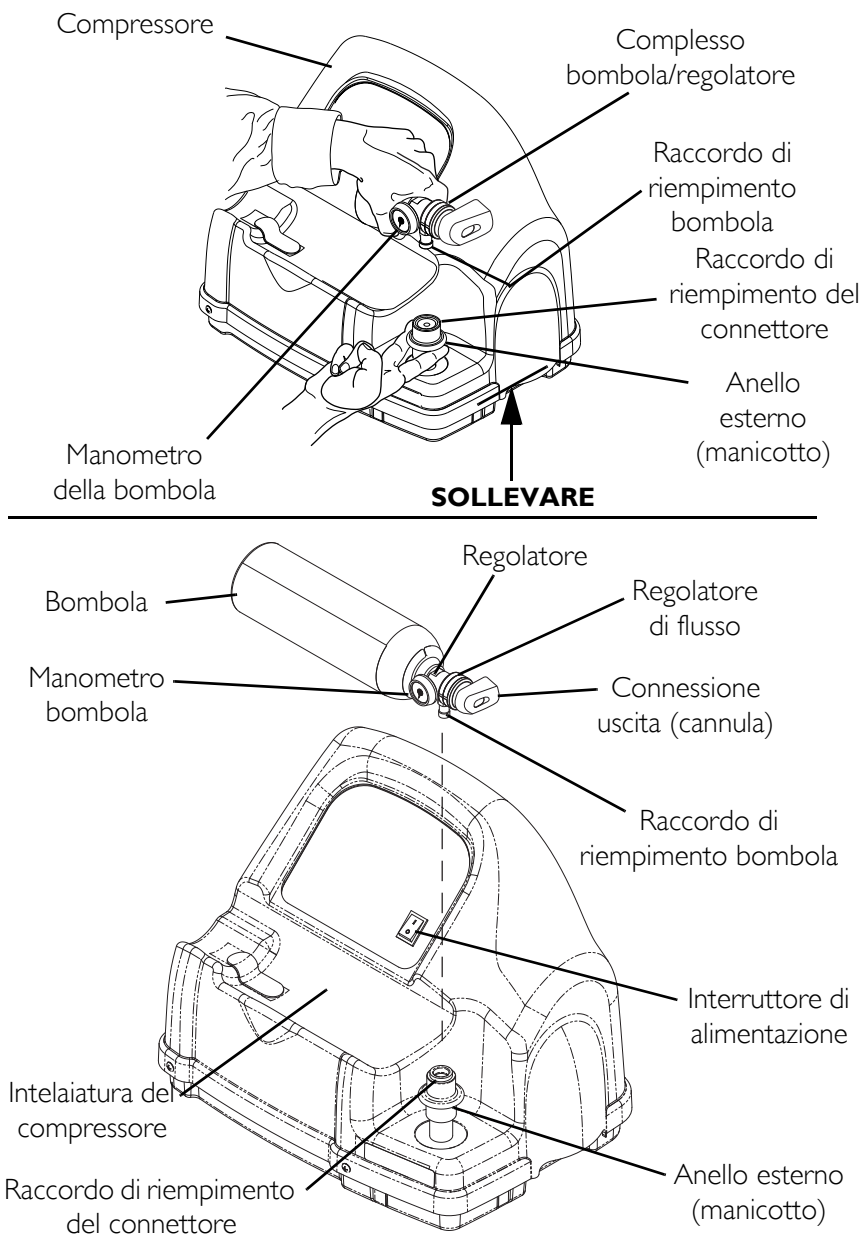


FIGURA 4.2 Ripristino del raccordo di riempimento del connettore

5. Afferrare il complesso bombola/regolatore nell'area retrostante il manometro della bombola (FIGURA 4.3).
6. Posizionare la bombola nell'intelaiatura del compressore (FIGURA 4.3).
7. Allineare il raccordo di riempimento della bombola con il raccordo di riempimento del connettore (FIGURA 4.3).

8. Spingere in ALTO l'anello esterno (manicotto) del raccordo di riempimento del connettore e contemporaneamente spingere in BASSO il complesso bombola/regolatore per collegare il raccordo di riempimento della bombola al raccordo di riempimento del connettore (FIGURA 4.3).

NOTA: La bombola è connessa correttamente quando si sente uno "scatto."



NOTA: Per maggiore chiarezza, i coperchi del raccordo di riempimento non vengono illustrati.

FIGURA 4.3 Connessione della bombola al compressore

Disconnessione della bombola dal compressore

AVVERTENZA

Non utilizzare MAI strumenti di qualsiasi tipo per connettere/disconnettere la bombola e il compressore. In caso contrario, possono verificarsi gravi lesioni e/o danni.

NOTA: Per questa procedura, fare riferimento alla FIGURA 4.4.

1. Portare l'interruttore di alimentazione del compressore in posizione Off (O).
2. Afferrare il complesso bombola/regolatore nell'area retrostante il manometro della bombola.
3. Con l'altra mano, afferrare l'anello esterno (manicotto) del raccordo di riempimento del connettore e spingere in BASSO.
4. Sollevare il complesso bombola/regolatore per rimuoverlo dal raccordo di riempimento del connettore.

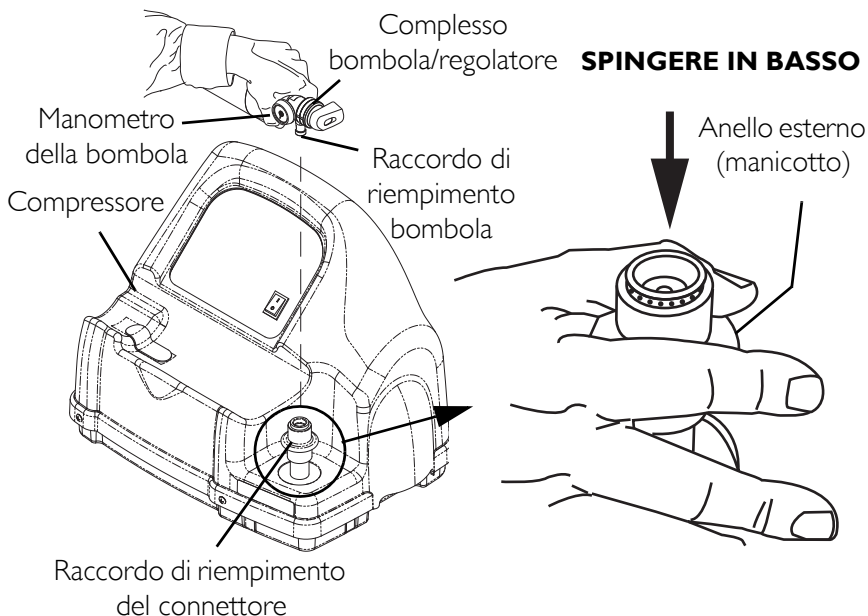


FIGURA 4.4 Disconnessione della bombola dal compressore

5. Quando il raccordo di riempimento della bombola è scollegato dal raccordo di riempimento del connettore, rilasciare l'anello esterno (manicotto) del raccordo di riempimento del connettore e con due mani rimuovere la bombola dall'intelaiatura del compressore.

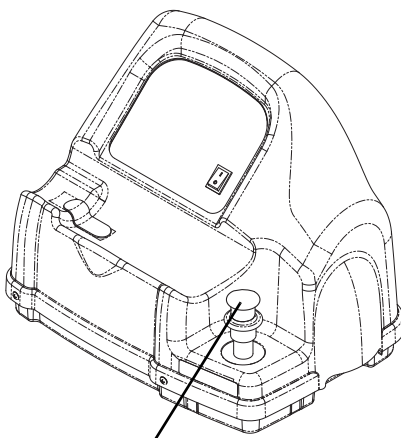
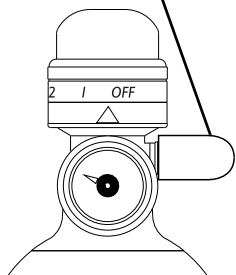
⚠ AVVERTENZA

Il coperchio del raccordo di riempimento del connettore e quello del raccordo di riempimento della bombola DEVONO essere rimessi al proprio posto dopo il riempimento e quando i raccordi non vengono utilizzati. Se uno o l'altro coperchio dei raccordi di riempimento non è presente, contattare il fornitore di apparecchiature per la cura a domicilio prima di utilizzare il dispositivo.

6. Collocare i coperchi del raccordo di riempimento sui raccordi di riempimento del connettore e della bombola.

7. Esaminare il manometro della bombola per accertarsi che quest'ultima sia piena (l'ago deve trovarsi nell'area VERDE). Se la bombola non è piena, procedere come indicato nel seguito:
 - Ripetere i PUNTI DA 1 A 8 della sezione Connessione della bombola al compressore a pagina 104.
 - Se la bombola non si è riempita dopo il secondo tentativo, NON utilizzarla e contattare il rivenditore.

Coperchio del raccordo
di riempimento della
bombola



Coperchio del raccordo di
riempimento del connettore

FIGURA 4.5 Coperchi dei raccordi di riempimento

SEZIONE 5—ISTRUZIONI DI FUNZIONAMENTO

AVVERTENZA

Non fumare MAI in ambienti in cui viene somministrato ossigeno.

Non utilizzare MAI nei pressi di qualsiasi tipo di fiamma o vapori, atmosfera e sostanze infiammabili/esplosive.

NOTA: Per questa procedura, fare riferimento alla 6.

1. Prima di ogni utilizzo, ispezionare il prodotto per verificare che non presenti danni visibili. **NON** utilizzare in presenza di eventuali danni.

NOTA: Se per qualsiasi motivo una delle etichette dovesse diventare illeggibile o perdersi, rivolgersi al proprio rivenditore/fornitore di apparecchiature per la cura a domicilio.

2. Accertarsi che il regolatore sia in posizione “Off”.
Allineare “Off” con la freccia dell'indicatore.
 3. Posizionare la bombola in modo che l'uscita della valvola della bombola di ossigeno non sia rivolta verso l'utente o altre persone.
-

AVVERTENZA

NON indirizzare il flusso di ossigeno verso persone o materiale infiammabile nel posizionare il regolatore di flusso.

4. Collegare la cannula nasale ossigeno per adulti con un solo lume standard, di lunghezza non superiore a 2,1 metri, all'uscita del prodotto attenendosi alle istruzioni del produttore della cannula. **NON** utilizzare cannule nasali pediatriche, cannule a basso flusso o maschere dell'ossigeno con questo prodotto.
-

NOTA: L'unità senza cannula collegata può generare impulsi se in posizione 1-5.

5. Collocare la cannula sopra le orecchie e posizionare le sonde nel naso come indicato dal medico o dal produttore della cannula. Fare riferimento alla 6..

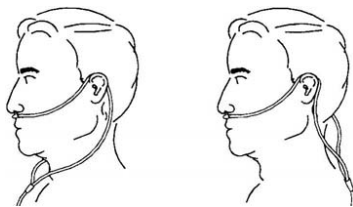


FIGURA 5.1 Posizionament
o della cannula

6. Ruotare il regolatore fino ad allineare la freccia dell'indicatore con l'impostazione prescritta.

⚠ AVVERTENZA

Quando l'indicatore sul manometro entra nella zona rossa, si consiglia di riempire la bombola sul compressore Invacare HomeFill.

Fra le impostazioni NON viene EROGATO OSSIGENO. Per ottenere il flusso desiderato, la freccia dell'indicatore deve essere allineata con un numero specifico sul regolatore.

Per evitare lesioni al paziente, verificare SEMPRE l'impostazione prescritta prima della somministrazione al paziente e monitorare frequentemente.

Utilizzare unicamente la borsa da trasporto Invacare Corporation HF2PC9BAG.

7. Respirando con il naso si sentirà un impulso di ossigeno durante l'inalazione.

NOTA: Quando l'impostazione è a impulsi, si verifica un flusso o impulso solo all'inizio di ogni respiro. Se non si sente un impulso all'inizio di ogni respiro, verificare l'impostazione.

NOTA: Poiché ogni paziente ha un proprio ritmo di respirazione e l'ambiente è variabile, può risultare difficile sentire gli impulsi bassi.

NOTA: Se la bombola viene utilizzata in condizioni di temperatura inferiore a 2 °C (35 °F), utilizzare soltanto l'impostazione 2 l/min in continuo.

SEZIONE 6—MANUTENZIONE

1. Dopo ogni utilizzo, pulire la parte esterna del prodotto servendosi unicamente di un panno asciutto senza filacce.
2. Conservare il prodotto in un ambiente pulito privo di grasso, olio e altre fonti di contaminazione.

ATTENZIONE

NON utilizzare soluzioni detergenti.

NON immergere il prodotto in qualsiasi tipo di liquido.

Tutte le riparazioni **DEVONO** essere effettuate da Invacare Corporation.

Parti di ricambio - Accessori

Borsa da trasporto HF2PC6BAG

Borsa da trasporto HF2PC9BAG

SEZIONE 7—TEMPI DI RIEMPIMENTO DELLA BOMBOLA

NOTE: I tempi sono tutti indicativi e possono variare in base alle condizioni ambientali.

Tempi di riempimento della bombola	Portata del concentratore al paziente: (Platinum 5 fino a 2,5 L/min) (Platinum 9 fino a 9 L/min)	
	HF2PCE6	HF2CE9
NORMALE	1 h 25min	2 h 20min

Risoluzione dei problemi

Se il prodotto non funziona, consultare la guida alla risoluzione dei problemi. Se non è possibile risolvere il problema, consultare il proprio rivenditore/fornitore di apparecchiature per la cura a domicilio.

PROBLEMA	POSSIBILE CAUSA	SOLUZIONE
Assenza di flusso.	<ol style="list-style-type: none"> 1. Regolatore in posizione "Off". 2. Bombola vuota. 3. Regolatore non impostato a incrementi. 4. Il conservatore non rileva il respiro. 	<ol style="list-style-type: none"> 1. Selezionare la corretta impostazione. 2. Sostituire/riempire la bombola. 3. Posizionare il regolatore in modo che l'indicatore punti a un'impostazione. 4. Verificare la posizione della cannula nel naso. Non respirare con la bocca. 5. Verificare che la cannula non sia attorcigliata.

INFORMAZIONI SULLA GARANZIA

Per informazioni sulla garanzia rivolgersi all'assistenza clienti presso una delle seguenti sedi:

Italia:

Invacare Mecc San s.r.l., Via dei Pini 62, I-36016 Thiene (VI)

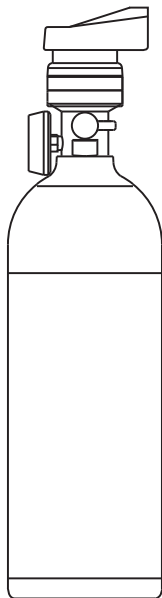
Tel: (39) 0445 38 00 59, Fax: (39) 0445 38 00 34

italia@invacare.com

Podręcznik operatora

HomeFill[®] II
Butla tlenowa
Conserving Cylinder

HF2PCE6
HF2PCE9



Sprzedawca: Niniejszy podręcznik należy przekazać końcowemu użytkownikowi.

Użytkownik: Przed użyciem tej butli przeczytaj niniejszy podręcznik i zachowaj go do przyszłego wykorzystania.

Więcej informacji na temat produktów firmy Invacare, części zamiennych oraz usług serwisowych można znaleźć na stronie internetowej www.invacare.com



Yes, you can.

OSTRZEŻENIE

NIE NALEŻY OBSŁUGIWAĆ NINIEJSZEGO SPRZĘTU BEZ UPRZEDNIEGO PRZECZYTANIA I ZROZUMIENIA PODRĘCZNIKA. W PRZYPADKU NIEMOŻNOŚCI ZROZUMIENIA OSTRZEŻEŃ, PRZESTRÓG I INSTRUKCJI, PRZED PRÓBĄ UŻYCIA NINIEJSZEGO SPRZĘTU NALEŻY SKONTAKTOWAĆ SIĘ Z LEKARZEM, SPRZEDAWCĄ LUB WYKWALIFIKOWANYM PRACOWNIKIEM TECHNICZNYM – W PRZECIWNYM RAZIE MOŻE DOJŚĆ DO OBRAŻEŃ CIAŁA UŻYTKOWNIKA LUB DO USZKODZENIA SPRZĘTU.

OSTRZEŻENIE

Produkty firmy Invacare zaprojektowano i wykonano specjalnie do stosowania wraz z urządzeniami dodatkowymi produkcji firmy Invacare. Urządzenia dodatkowe zaprojektowane przez innych producentów nie zostały sprawdzone przez firmę Invacare i nie zaleca się ich stosowania wraz z produktami firmy Invacare.

NIEBEZPIECZEŃSTWO

Podczas użytkowania niniejszego urządzenia NIE WOLNO PALIĆ TYTONIU. W pomieszczeniu, w którym znajduje się produkt, nie wolno trzymać zapalek, zapalonych papierosów lub innych źródeł zapłonu.

W powietrzu wzbogaconym tlenem tekstylia i inne materiały, które w zwykłych warunkach nie palą się, mogą łatwo ulec zapaleniu i płonąć z dużą intensywnością. Nieprzestrzeżenie niniejszego ostrzeżenia może spowodować duży pożar, uszkodzenie mienia oraz obrażenia ciała lub śmierć użytkowników.

UWAGA: Informacje zawarte w niniejszym dokumencie mogą ulec zmianie bez powiadomienia.

UWAGA: Uaktualnione wersje niniejszego podręcznika są dostępne na stronie internetowej www.invacare.com.

SPIS TRESCI

UWAGI SPECJALNE	122
SPRAWDZENIE URZĄDZENIA W CHWILI OTRZYMANIA	122
PRZEZNACZENIE	123
SECTION 1—OGÓLNE WSKAZÓWKI	124
SECTION 2—FUNKCJE	128
SECTION 3—TYPOWE PARAMETRY PRODUKTU	129
SECTION 4—KONTROLA I PODŁĄCZANIE DO KOMPRESORA	130
Kontrola wstępnego napełnienia butli	130
Podłączanie/odłączanie butli do/od kompresora	135
SECTION 5—INSTRUKCJA OBSŁUGI	142
SECTION 6—KONSERWACJA	145
Części zamienne – akcesoria	145
SECTION 7—CZAS NAPEŁNIANIA BUTLI	146
Rozwiązywanie problemów	146
INFORMACJA NA TEMAT GWARANCJI	147

UWAGI SPECJALNE

W niniejszym podręczniku użyto pewnych słów sygnalizacyjnych odnoszących się do zagrożeń lub czynności niebezpiecznych, które mogą doprowadzić do obrażeń ciała użytkownika lub do uszkodzenia mienia. W poniższej tabeli zamieszczono definicje słów sygnalizacyjnych.

SŁOWO SYGNALIZACYJNE	ZNACZENIE
NIEBEZPIECZEŃSTWO	„Niebezpieczeństwo” oznacza sytuację nadchodzącego ryzyka, które – o ile nie uda się go uniknąć – doprowadzi do śmierci lub poważnych obrażeń ciała.
OSTRZEŻENIE	„Ostrzeżenie” oznacza sytuację możliwego ryzyka, które – o ile nie uda się go uniknąć – może doprowadzić do śmierci lub poważnych obrażeń ciała.
PRZESTROGA	„Przeostroga” wskazuje na sytuację możliwego ryzyka, które – o ile nie uda się go uniknąć – może spowodować uszkodzenie mienia.

SPRAWDZENIE URZĄDZENIA W CHWILI OTRZYMANIA

Wymij produkt z opakowania i przeprowadź kontrolę w poszukiwaniu uszkodzeń. W razie stwierdzenia jakiegokolwiek uszkodzenia **NIE UŻYWAJ** produktu. Skontaktuj się ze sprzedawcą/dostawcą sprzętu do opieki domowej.

PRZEZNACZENIE

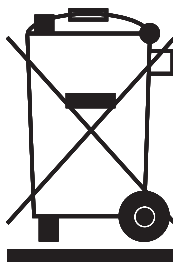
Przechowywanie, regulacja podaży i dostarczanie tlenu stosowanego uzupełniająco u pacjentów charakteryzujących się trudnościami związanymi z uzyskiwaniem tlenu z wdychanego powietrza. Produkt jest przeznaczony dla pacjentów, którzy w zwykłych warunkach otrzymywaliby tlen poprzez kaniulę donosową. Urządzenie dostarcza mieszaninę zawierającą 93% tlenu (wg Farmakopei USA); umożliwia kilka różnych ustawień prędkości przepływu/pulsowania. Jest przeznaczone do pełnienia funkcji urządzenia oszczędzającego tlen, które może zmniejszać wysychanie dróg oddechowych.

Dostawcą produktu jest producent wiadomy zagrocie dla środowiska, który działa zgodnie z dyrektywą 2002/96/CE dotyczącą utylizacji odpadów elektrycznych lub elektronicznych (WEEE).

Produkt może zawierać substancje, które mogą być szkodliwe dla środowiska, jeżeli ich utylizacja nastąpi w miejscach (na wysypiskach śmieci), które zgodnie z przepisami nie są do tego celu przystosowane.

Symbol „przekreślonego kuba na kołach”, widniejący na produkcie, przypomina Państwu o obowiązku utylizacji.

Prosimy o przestrzeganie zasad ochrony środowiska i dokonanie utylizacji produktu po jego zużyciu.



CZĘŚĆ 1-OGÓLNE WSKAZÓWKI

OSTRZEŻENIE

CZĘŚĆ 1 – OGÓLNE WSKAZÓWKI zawiera informacje istotne dla bezpiecznej obsługi i eksploatacji niniejszego produktu. **NIE NALEŻY** używać niniejszego produktu lub jakiegokolwiek oprzyrządowania opcjonalnego bez uprzedniego całkowitego przeczytania i zrozumienia niniejszych wskazówek oraz wszelkich dodatkowych materiałów instruktażowych, takich jak podręcznik użytkownika, podręczniki serwisowe lub formularze instrukcji (dostarczonych łącznie z tym produktem lub oprzyrządowaniem opcjonalnym). W przypadku niemożności zrozumienia ostrzeżeń, ostrzeżeń lub instrukcji przed próbą użycia niniejszego sprzętu należy porozumieć się z lekarzem, sprzedawcą lub pracownikiem działu technicznego – w przeciwnym razie może dojść do obrażeń ciała użytkownika lub do uszkodzenia sprzętu.

OSTRZEŻENIE

Niniejszy produkt powinny obsługiwać wyłącznie osoby poinstruowane i przeszkolone w zakresie stosowania butli HomeFill II O₂ Conserving Cylinder.

Produkt zawiera czynny magnetycznie materiał ze stopu żelaza, który może wpływać na wyniki badania MRI.

Należy upewnić się, że wszystkie połączenia są szczelne i nie stwierdza się przecieków.

W celu sprawdzenia obecności przecieków **NIE NALEŻY** używać płynnego wykrywacza przecieków.

NIE NALEŻY sterylizować w autoklawie.

NIE WOLNO poddawać sterylizacji gazowej tlenkiem etylenu.

⚠ OSTRZEŻENIE

NIE NALEŻY czyścić środkami zawierającymi węglowodory aromatyczne.

NIE WOLNO podejmować samodzielnych prób naprawy produktu.

NIE NALEŻY zanurzać produktu w jakimkolwiek płynie.

Nieużywany produkt należy przechowywać w czystym miejscu.

Należy używać wyłącznie torby do przenoszenia HF2PC9BAG Carrying Bag firmy Invacare Corporation.

W otoczeniu, w którym stosuje się tlen, NIGDY nie wolno palić tytoniu.

Przed zastosowaniem u pacjenta przepisanej dawki ZAWSZE trzeba sprawdzić jej wielkość; należy często monitorować dawkowanie.

NIE WOLNO UŻYWAĆ, jeżeli na butli, zaworze, produkcie albo urządzeniach łączących (lub w pobliżu wymienionych elementów) stwierdza się brud lub zanieczyszczenia.

Urządzenia NIGDY nie należy używać w pobliżu jakichkolwiek źródeł ognia lub palnych/wybuchowych substancji i oparów lub w łatwopalnym/wybuchowym środowisku.

W przypadku gdy strzałka znajduje się w jednej linii z napisem „Off” (Wyłączony), TLEN NIE JEST dostarczany.

NIE WOLNO blokować gniazda wylotowego ani zaginać kaniuli podczas używania produktu, ponieważ może to uszkodzić urządzenie.

Zastosowanie urządzenia jest ograniczone do osób wymagających dostarczania tlenu. Butle MUSZĄ być używane wyłącznie przez pacjenta wymagającego dostarczania tlenu; nie można udostępniać ich jakimkolwiek innym osobom do jakiegokolwiek celu.

Produkt NIE jest przeznaczony dla pacjentów oddychających przez usta.

⚠ OSTRZEŻENIE

NIE WOLNO dopuścić, do kontaktu kompresora, łączników lub uchwytów butli z olejem znajdującym się na powierzchni rąk lub z innych źródeł. Substancje te mogą w obecności tlenu ulec zapłonowi i doprowadzić do urazu. Należy zawsze unikać dotykania instalacji butli. Przykładem substancji, których należy unikać są kremy lub balsamy do rąk, tłuszcze spożywcze, olejki lub kremy do opalania oraz inne podobne produkty na bazie oleju. W przypadku, gdy użytkownik zastosował produkty tego rodzaju, firma Invacare zaleca umycie rąk przed rozpoczęciem eksploatacji urządzenia HomeFill II. W przypadku kontaktu przewodów butli z tego rodzaju substancjami należy przed podłączeniem kompresora przemyć przewody wilgotną ściereczką.

NIE WOLNO oliwić lub smarować złączy kompresora lub przewodów butli. NIE WOLNO używać jakichkolwiek wnikających olejów lub smarów, takich jak WD-40 lub 3 in One. W przypadku trudności z połączeniem należy upewnić się, że przewody butli umieszczone są pionowo w dół w złączu kompresora. Jeśli problem utrzymuje się należy skontaktować się z dostawcą lub z działem pomocy.

Wraz z niniejszym produktem NIE NALEŻY stosować nawilżacza. NIE WOLNO dopuszczać do przewrócenia lub upuszczania butli. Butle z gazem należy mocować tak, aby uniemożliwić ich upadek. Należy upewnić się, że butla znajduje się zawsze w pozycji pionowej. NIE WOLNO przechowywać butli w pobliżu źródeł dużej temperatury lub płomieni.

Produkt wyposażono w zawór zmniejszania ciśnienia. Jeżeli od strony produktu słyszalny jest syk lub stukanie, należy przerwać używanie produktu, przekręcić przełącznik przepływu do pozycji „Off” (Wyłączony) i skontaktować się ze sprzedawcą/dostawcą sprzętu do opieki domowej.

NIE WOLNO używać produktu podczas snu bez konsultacji z lekarzem.

⚠ OSTRZEŻENIE

Produkt zaprojektowano do pracy ze standardową kaniulą donosową o pojedynczym świetle, przeznaczoną do podawania tlenu osobom dorosłym, o długości maksymalnej 2,1 m (7 stóp).

Kaniula jest przeznaczona wyłącznie do użytku przez jednego pacjenta.

Przed użyciem kaniula **MUSI** być podłączona do złącza wylotowego.

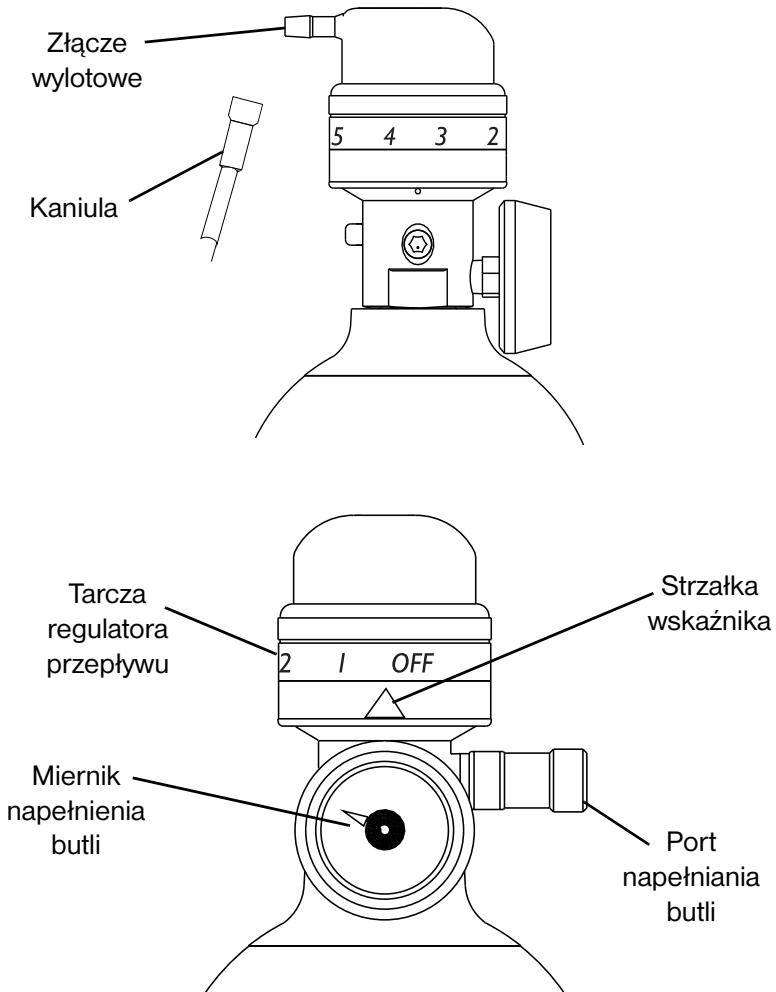
Podczas użytkowania **NIE WOLNO** umieszczać urządzenia pod odzieżą. W czasie użytkowania produktu uwalnia się niewielka ilość tlenu. Noszenie urządzenia pod odzieżą może spowodować nasycenie tkanin tlenem i ich błyskawiczne zapalenie się w przypadku narażenia na działanie iskier lub płomienia. Ponowne osiągnięcie normalnej zawartości tlenu w tkaninie może potrwać kilka godzin.

NIE WOLNO używać urządzenia IOH200AW HomeFill II do napełniania butli na zewnątrz budynku lub w temperaturze poniżej 13°C (55°F), niezależnie od miejsca napełniania.

CZEŚĆ 2-FUNKCJE

⚠ NIEBEZPIECZEŃSTWO

Niniejszy produkt nie jest przeznaczony do spełniania zadań urządzenia podtrzymującego życie lub wspierającego funkcje życiowe.



RYCINA 2.1 Schemat produktu

CZEŚĆ 3-TYPOWE PARAMETRY PRODUKTU

ZAKRES CIŚNIENIA WLOTOWEGO:	20,7–145 barów (300–2100 psig)
WEWNĘTRZNE CIŚNIENIE REGULOWANE:	3,5 bara (50 psig)
WYMIARY:	HF2PCE6 1,0 Liters HF2PCE9 1,7 Liters
HF2PCE6 WAGA	1,86 kg (4,1 funta)
HF2PCE6: DŁUGOŚĆ CAŁKOWITA	27,7 cm (10.9 cali)
HF2PCE6: ŚREDNICA	11,1 cm (4,4 cala)
HF2PCE9 WAGA	2,31 kg (5,1 funta)
HF2PCE9: DŁUGOŚĆ CAŁKOWITA	35,5 cm (14 cali)
HF2PCE9: ŚREDNICA	11,1 cm (4,4 cala)
USTAWIENIA PULSOWANIA:	1, 2, 3, 4 i 5
USTAWIENIA PRZEPŁYWU:	2 l/min, ciągły
WSPÓŁCZYNNIK OSZCZĘDZANIA:	Do 5,7:1
WYMogi DOTYCZĄCE KANIULI:	zalecana standardowa kaniula donosowa o pojedynczym świetle przeznaczona do podawania tlenu osobom dorosłym (długość 1,21 m/ 4 stopy; MS0204; maksymalnie 2,1 m/7 stóp)
WARUNKI PRACY TEMPERATURA:	od 1,7°C (35°F) do 40,6°C (105°F)
WYSOKOŚĆ N.P.M.:	od 0 do 3071 m (od 0 do 10 000 stóp)
WARUNKI PRZECHOWYWANIA TEMPERATURA:	od -40°C (-40°F) do 60°C (140°F)
MAKSYMALNA WILGOTNOŚĆ:	95%
KLASYFIKACJA PRODUKTU	Klasa IIB
WYKAZ ROZPORZĄDZEŃ	Sprzęt zgodny z dyrektywą dotyczącą sprzętu medycznego 93/42/EWG

CZEŚĆ 4-KONTROLA I PODŁĄCZANIE DO KOMPRESORA

UWAGA: Wskazówki na temat obsługi kompresora znajdują się w Podręczniku użytkownika systemu HomeFill II.

Kontrola wstępnego napełnienia butli

NIEBEZPIECZEŃSTWO

Nieprawidłowe napełnianie, niewłaściwy sposób użytkowania lub niestosowanie się do niniejszych wskazówek dotyczących bezpieczeństwa mogą spowodować poważne obrażenia ciała lub śmierć. Znajdujący się pod wysokim ciśnieniem gaz utleniający powoduje znaczne przyspieszenie spalania.

NIE NALEŻY dokonywać zmian ani modyfikacji butli lub związanych z nią elementów.

NIE WOLNO stosować olejów ani smarów. Należy chronić butlę, zawór butli, całość wyposażenia i połączeń przed dostępem olejów i smarów, aby uniknąć gwałtownego zapłonu powodującego poważne obrażenia ciała lub śmierć.

OSTRZEŻENIE

Niniejszego urządzenia należy używać do zastosowań medycznych wyłącznie według zaleceń uprawnionego lekarza. Nieprzerwane stosowanie przez dłuższy czas dużych stężeń tlenu, bez monitorowania wpływu takiego postępowania na zawartość tlenu we krwi tętniczej, może być szkodliwe.

Butle z tlenem, napełnione przez system HomeFill II, należy stosować wyłącznie do osobistego użytku. „Butla nie jest przeznaczona do napełniania w celu odsprzedaży lub stosowania w celach zawodowych”.

⚠ OSTRZEŻENIE

Niniejsza butla jest przeznaczona do stosowania razem z systemem HomeFill II. Butla zawiera $93 \pm 3\%$ tlenu uzyskanego poprzez koncentrację tlenu w procesie adsorpcji zmiennociśnieniowej.

NIE WOLNO przeprowadzać żadnych działań z użyciem butli ani też stosować jej zawartości, o ile nie odbyło się zawodowego przeszkolenia; dotyczy to również przypadków nagłych.

Butli należy używać zgodnie z Podręcznikiem użytkownika systemu HomeFill II. Zawór należy otwierać powoli, a po każdym użyciu i opróżnieniu butli trzeba zamknąć zawór. Podczas przechowywania i użytkowania butlę należy bezpiecznie zamocować. Palenie tytoniu w otoczeniu butli jest zabronione. Butlę należy trzymać z dala od źródeł ciepła, płomieni lub iskier. Butlę należy przechowywać w miejscu niedostępnym dla dzieci. **NIE WOLNO** upuszczać butli.

Napełnianie tym gazem odbywa się wyłącznie za pomocą systemu HomeFill II.

Butle, które zostały ponownie opróżnione i/lub wystawione na działanie podwyższonych temperatur, przed napełnieniem **MUSZĄ** być poddane próbie hydrostatycznej. Temperatura butli nie powinna przekraczać 52°C (125°F). Butle aluminiowe poddane działaniu ognia lub dużych temperatur, przekraczających 177°C (350°F), **MUSZĄ** zostać wycofane z eksploatacji i uznane przez przeszkolonych pracowników za niezdatne do użytku. **NIE WOLNO** stosować żrących zmywaczy do farby. Zawór oraz zawór bezpieczeństwa **MUSZĄ** być wyjmowane i wymieniane przez przeszkolonych i upoważnionych pracowników. **NIE WOLNO** modyfikować lub dokonywać zmian w zestawie zaworowym.

⚠ OSTRZEŻENIE

Przed próbą napełniania wszystkie butle **MUSZĄ** zostać poddane sprawdzeniu; w przeciwnym razie może dojść do obrażeń ciała użytkownika lub do uszkodzenia sprzętu.

W otoczeniu, w którym stosuje się tlen, **NIGDY** nie wolno palić tytoniu.

NIGDY nie należy używać urządzenia w pobliżu jakichkolwiek źródeł ognia lub palnych/wybuchowych substancji i oparów lub w łatwopalnym/wybuchowym środowisku.

UWAGA: Informacje na temat tej procedury przedstawiono na RYCINA 4.1.

Data przeprowadzenia próby hydrostatycznej

Butle aluminiowe **MUSZĄ** być poddawane próbie co pięć lat.

⚠ OSTRZEŻENIE

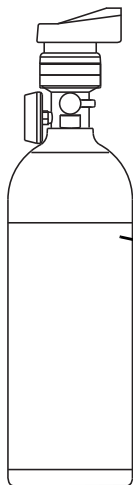
NIE NALEŻY napełniać butli, których w ciągu minionych pięciu lat nie poddano próbie. W przeciwnym przypadku może dojść do poważnych obrażeń ciała użytkownika. W sprawie wymiany butli należy skontaktować się ze sprzedawcą.

Oględziny butli z zewnątrz

1. Przeprowadź oględziny butli z zewnątrz w poszukiwaniu wymienionych poniżej oznak; w przypadku ich stwierdzenia wymień butlę:
 - wgniecenia i obtłuczenia;
 - nadpalenia wskutek działania łuku elektrycznego;
 - olej lub smar;

- wszelkie inne oznaki uszkodzeń, które mogłyby powodować, że butla stała się niezdadna do użytku lub stanowi zagrożenie dla bezpieczeństwa.
2. Przeprowadź oględziny butli w poszukiwaniu oznak działania płomieni lub obecności uszkodzeń termicznych. Do takich oznak należą: zwęglenie farby oraz pęcherze na jej powierzchni (lub na powierzchni innej powłoki ochronnej) albo informacja widoczna na wskaźniku narażenia na działanie ciepła. W przypadku stwierdzenia oznak uszkodzenia termicznego wymień butlę.
 3. Przeprowadź oględziny portu napełniania butli w poszukiwaniu wymienionych niżej oznak:
 - zanieczyszczenia, olej lub smar;
 - widoczne oznaki uszkodzeń;
 - oznaki korozji wewnątrz zaworu;
 - oznaki działania nadmiernej temperatury lub uszkodzenia wskutek działania płomieni.

UWAGA: NIE WOLNO używać butli, jeśli brakuje któregośkolwiek z poniższych elementów. W sprawie wymiany butli należy skontaktować się ze sprzedawcą.



Etykieta ostrzegawcza

Niniejsza butla jest przeznaczona do stosowania razem z systemem HomeFill II.

Butla zawiera 93 ±3% tlenu.

Butlę należy przechowywać w miejscu o dobrej wentylacji.

Przechowywać z dala od palnego materiału.

Chronić przed dostępem olejów i smarów.

Dodatkowe ostrzeżenia, przestrogi oraz wskazówki dotyczące bezpieczeństwa znajdują się w

Podręczniku użytkownika systemu HomeFill II.

RYCINA 4.1 Oględziny butli z zewnątrz

Podłączanie/odłączanie butli do/od kompresora

Podłączanie butli do kompresora

⚠ OSTRZEŻENIE

Do podłączania/odłączania butli do/od kompresora **NIGDY** nie należy używać jakichkolwiek narzędzi. W przeciwnym przypadku może dojść do ciężkich obrażeń ciała użytkownika i/lub do uszkodzenia sprzętu.

⚠ OSTRZEŻENIE

NIE WOLNO upuszczać butli z tlenem. Podczas manipulacji butlą/przenoszenia butli należy używać obu rąk. W przeciwnym przypadku może dojść do obrażeń ciała użytkownika lub do uszkodzenia sprzętu.

W celu sprawdzenia obecności przecieków **NIE NALEŻY** używać płynnego wykrywacza przecieków.

UWAGA: Informacje na temat tej procedury przedstawiono na RYCINA 4.2 i RYCINA 4.3.

1. Sprawdź wskaźnik napełnienia butli. Jeżeli ciśnienie w butli jest mniejsze niż 103,5 bara (1500 psig), przejdź do ETAPU 2 (RYCINA 4.3).

UWAGA: Jeżeli ciśnienie w butli jest większe niż 103,5 bara (1500 psig), NIE podejmuj próby doładowywania butli. Nie można jej wówczas napełniać.

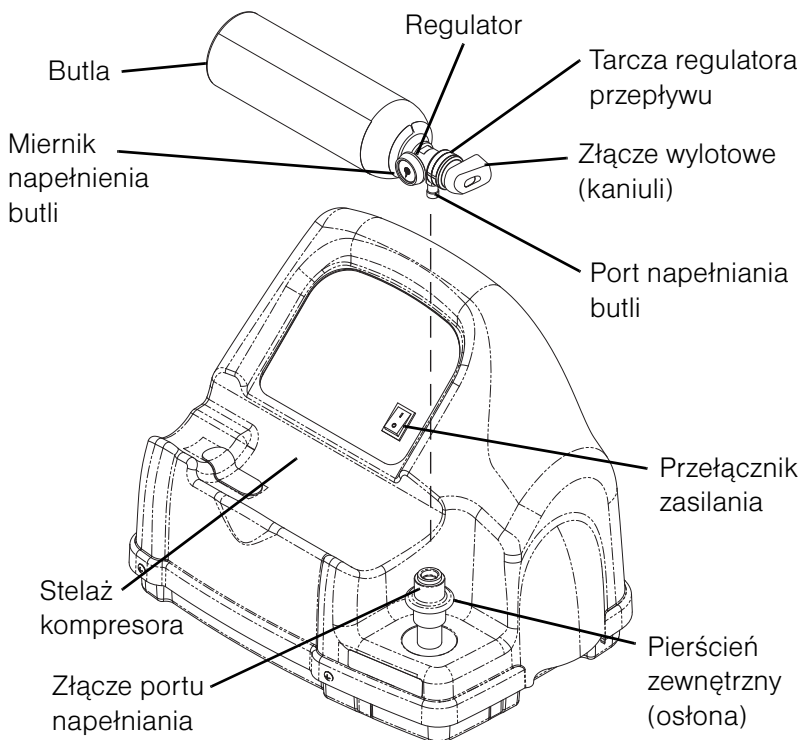
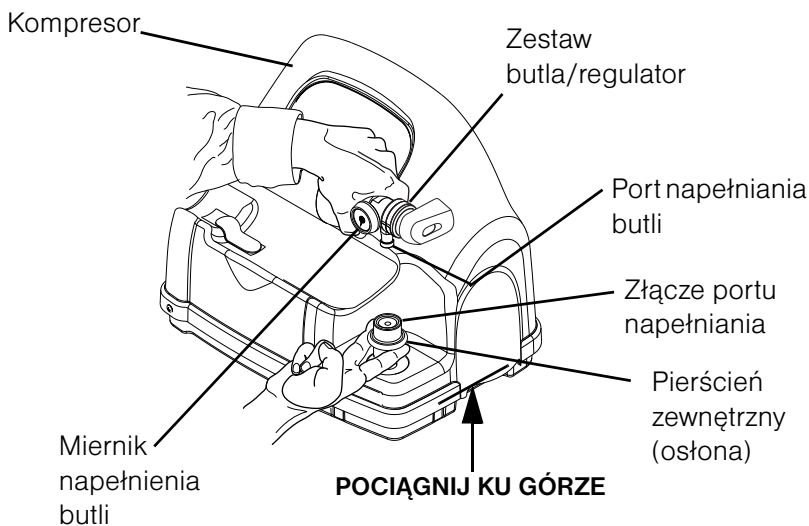
2. Ustaw tarczę regulatora przepływu butli w pozycji „Off” (Wyłączony) (RYCINA 4.3).
3. Zdejmij osłony butli oraz złącza portu napełniania (jeżeli są obecne).

CZEŚĆ 4-KONTROLA I PODŁĄCZANIE DO KOMPRESORA

6. Umieść butlę w stelażu kompresora (RYCINA 4.3).
7. Ustaw w jednej linii port napełniania butli i złącze portu napełniania (RYCINA 4.3).
8. Pociągnij KU GÓRZE zewnętrzny pierścień (osłonę) złącza portu napełniania, jednocześnie naciskając KU DOŁOWI zestaw butla/regulator, aby połączyć port napełniania butli ze złączem portu napełniania (RYCINA 4.3).

UWAGA: Butla jest połączona prawidłowo, gdy było słychać „kliknięcie”.

CZEŚĆ 4-KONTROLA I PODŁĄCZANIE DO KOMPRESORA



UWAGA: Dla większej przejrzystości na rysunku nie przedstawiono osłon portów napełniania.

RYCINA 4.3 Podłączenie butli do kompresora

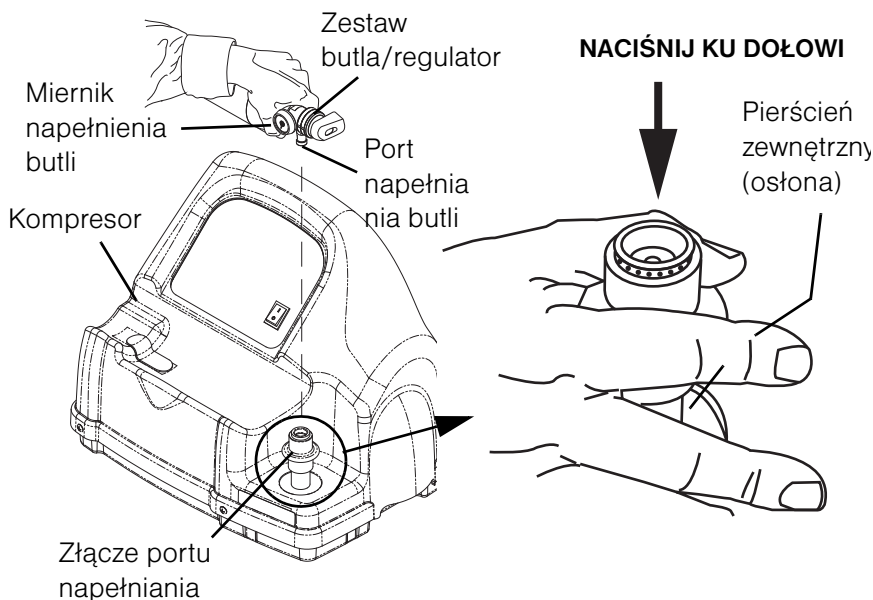
Odlączenie butli od kompresora

⚠ OSTRZEŻENIE

Do podłączania/odłączania butli do/od kompresora **NIGDY** nie należy używać jakichkolwiek narzędzi. W przeciwnym przypadku może dojść do ciężkich obrażeń ciała użytkownika i/lub do uszkodzenia sprzętu.

UWAGA: Informacje na temat tej procedury przedstawiono na RYCINA 4.4.

1. Wciśnij przełącznik zasilania kompresora, ustawiając go w pozycji „Off” (O) (Wyłączony).
2. Uchwyć zestaw butla/regulator w miejscu położonym za miernikiem napełnienia butli.
3. Uchwyć drugą ręką zewnętrzny pierścień (osłonę) złącza portu napełniania i pchnij ją **KU DOŁOWI**.
4. Podnieś do góry zestaw butla/regulator, aby wyjąć go ze złącza portu napełniania.



RYCINA 4.4 Odłączanie butli od kompresora

5. W przypadku gdy port napełniania butli jest odłączony od złącza portu napełniania, zwolnij zewnętrzny pierścień (osłonę) złącza portu napełniania i wyjmij oburącz butlę ze stelaża kompresora.

⚠ OSTRZEŻENIE

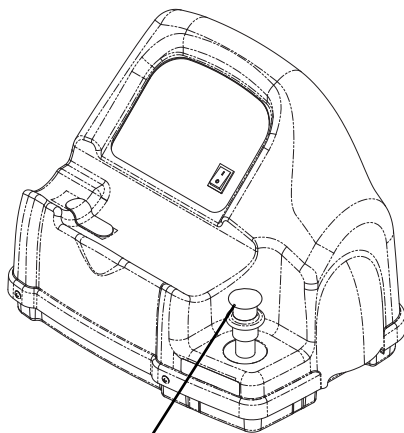
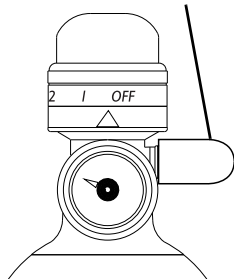
Oslona portu napełniania na złączu portu napełniania oraz na porcie napełniania butli MUSI być wymieniona po zakończeniu napełniania, gdy butla jest nie używana. Jeśli brakuje którejś z osłon portu do napełniania należy przed użyciem skontaktować się z dostawcą.

6. Nałóż osłony na złącze portu napełniania oraz port napełniania butli.
7. Skontroluj wskaźnik napełnienia butli aby upewnić się, że butla jest pełna (wskaźnik znajdować się będzie w polu ZIELONYM). Jeśli butla nie jest pełna, należy wykonać następujące czynności:
 - Ponownie wykonaj czynności opisane w ETAPACH 1-8 rozdziału Podłączanie butli do kompresora na stroni 135.

CZEŚĆ 4-KONTROLA I PODŁĄCZANIE DO KOMPRESORA

- Jeśli butla nie jest pełna po drugiej próbie napełnienia, **NIE WOLNO** stosować danej butli i należy skontaktować się z dostawcą.

Ośłona portu napełniania butli



Ośłona złącza portu napełniania

RYCINA 4.5 Ośłony portu napełniania

CZĘŚĆ 5-INSTRUKCJA OBSŁUGI

OSTRZEŻENIE

W otoczeniu, w którym stosuje się tlen, **NIGDY** nie wolno palić tytoniu.

NIGDY nie należy używać urządzenia w pobliżu jakichkolwiek źródeł ognia lub palnych/wybuchowych substancji i oparów lub w łatwopalnym/wybuchowym środowisku.

UWAGA: Informacje na temat tej procedury przedstawiono na RYCINA 5.1.

1. Przed każdym użyciem sprawdź, czy produkt nie ma widocznych uszkodzeń. **NIE** używaj produktu w przypadku stwierdzenia jakichkolwiek uszkodzeń.

UWAGA: Jeżeli dowolna etykieta z jakiegoś powodu stała się nieczytelna lub uległa zagubieniu, skontaktuj się ze sprzedawcą/dostawcą sprzętu do opieki domowej.

2. Upewnij się, że regulator znajduje się w pozycji „Off” (Wyłączony). Ustaw strzałkę wskaźnika w jednej linii z napisem „Off” (Wyłączony).
 3. Ustaw butlę w taki sposób, aby wylot zaworu butli tlenowej nie był zwrócony w stronę użytkownika lub jakiegokolwiek innej osoby.
-

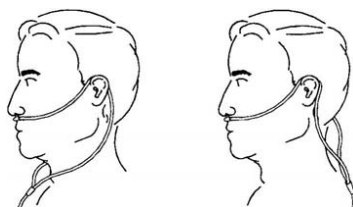
OSTRZEŻENIE

Podczas regulacji tarczy sterującej przepływem **NIE WOLNO** kierować bezpośredniego strumienia tlenu w stronę jakiegokolwiek osoby lub łatwopalnego materiału.

4. Do wylotu produktu podłącz standardową kaniulę donosową o pojedynczym świetle do podawania tlenu osobom dorosłym (nie dłuższą niż 2,1 m/7 stóp); postępuj zgodnie ze wskazówkami producenta kaniuli. Z niniejszym produktem **NIE NALEŻY** używać dziecięcych kaniuli charakteryzujących się małym przepływem oraz masek tlenowych.

UWAGA: Urządzenie bez podłączonej kaniuli może działać pulsacyjnie, jeżeli wybrano pozycję 1-5.

5. Załóż kaniulę na uszy i umieść donosowe końcówki kaniuli w nozdrzach zgodnie ze wskazówkami przedstawionymi przez osobę zajmującą się opieką medyczną lub przez producenta kaniuli. Patrz RYCINA 5.1.



RYCINA 5.1 Sposób umieszczenia kaniuli

6. Przekręć tarczę w taki sposób, aby strzałka wskaźnika znalazła się w jednej linii z symbolem zalecanego ustawienia.

⚠ OSTRZEŻENIE

W przypadku gdy strzałka miernika zawartości butli wchodzi na strefę czerwoną, zaleca się napełnienie butli za pomocą kompresora Invacare HomeFill II Compressor.

Jeżeli regulator ustawiono między poszczególnymi wartościami, **TLEN NIE JEST DOSTARCZANY**. W celu uzyskaniażądanego przepływu należy ustawić strzałkę wskaźnika w jednej linii z określonym numerem na tarczy.

Aby uniknąć wystąpienia obrażeń ciała pacjenta, przed podaniem pacjentowi tlenu należy **ZAWSZE** potwierdzić zalecane ustawienie oraz często monitorować przepływ.

⚠ OSTRZEŻENIE

**Należy używać wyłącznie torby do przenoszenia
HF2PC9BAG Carrying Bag firmy Invacare Corporation.**

7. Oddychaj przez nos, wyczuwając podczas wdechu pulsowy przepływ tlenu.

UWAGA: W przypadku ustawienia pulsowego przepływu lub pulsowanie pojawia się wyłącznie na początku każdego oddechu. Jeżeli na początku każdego oddechu nie wyczuwa się pulsowego przepływu, należy sprawdzić ustawienie.

UWAGA: Ponieważ wzorzec oddychania każdego pacjenta jest odmienny oraz różne są warunki środowiskowe, wycucie pulsowego przepływu w przypadku małych wartości ustawień może być trudne.

UWAGA: W przypadku, gdy cylinder używany jest w temperaturze poniżej 2° C (35° F) należy stosować wyłącznie przepływ ciągły o wartości 2 l/min.

CZEŚĆ 6-KONSERWACJA

1. Po każdym użyciu należy oczyścić zewnętrzne powierzchnie produktu, używając wyłącznie suchej, niepozostawiającej włókien tkaniny.
2. Produkt należy przechowywać w czystym miejscu, pozbawionym smarów, olejów i innych źródeł zanieczyszczeń.

PRZESTROGA

NIE NALEŻY używać roztworów czyszczących.

NIE WOLNO zanurzać produktu w jakimkolwiek płynie.

Wszystkie naprawy **MUSZĄ** być dokonywane przez pracowników firmy Invacare Corporation.

Części zamienne – akcesoria

Torba HF2PC6BAG Carrying Bag

Torba HF2PC9BAG Carrying Bag

CZĘŚĆ 7-CZAS NAPEŁNIANIA BUTLI

UWAGA: Wszystkie podane czasy napełniania stanowią przybliżenie i mogą różnić się w zależności od warunków środowiskowych.

Czas napełniania butli	Prędkość przepływu z koncentratora do pacjenta: (Platinum 5 do 2,5 l/min) (Platinum 9 do 5 l/min)	
	HF2PCE6	HF2PCE9
NORMALNY	1 godz. 25 min	2 godz. 20min

Rozwiązywanie problemów

W przypadku wadliwego funkcjonowania butli Conserving Cylinder należy skorzystać ze wskazówek dotyczących rozwiązywania problemów. Jeżeli nie można usunąć problemu, należy skonsultować się ze sprzedawcą/dostawcą sprzętu do opieki domowej.

problem	możliwa przyczyna	rozwiązanie
Brak przepływu	<ol style="list-style-type: none"> 1. Regulator znajduje się w pozycji „Off” (Wyłączony). 2. Butla jest opróżniona. 3. Tarcza nie jest ustawiona w wyższym położeniu. 4. Urządzenie nie wyczuwa oddechu. 	<ol style="list-style-type: none"> 1. Ustaw w przepisany sposób położenie. 2. Wymień/napełnij butlę. 3. Ustaw tarczę tak, aby wskaźnik wskazywał właściwą wartość. 4. Sprawdź położenie kaniuli w jamie nosowej. Nie oddychaj przez usta. 5. Sprawdź, czy kaniula nie jest zagięta.

INFORMACJA NA TEMAT GWARANCJI

W celu uzyskania informacji na temat gwarancji należy skontaktować się z działem obsługi klienta w jednym z następujących miejsc:

Niemcy, Austria, Szwajcaria i Europa Wschodnia:

Invacare Aquatec GmbH, Alemannenstraße 10, D-88316 Isny
Tel: (49) (0) 75 62 7 00 0, Fax: (49) (0) 75 62 7 00 66
info@invacare-aquatec.com

Mobitec Mobilitätshilfen GmbH, Herzog Odiolostrasse 101, A-5310
Mondsee
Tel: (43) 6232 5535 0, Fax: (43) 6232 5535 4
office@mobitec-austria.com
austria@invacare.com



Yes, you can.

Invacare Corporation

USA

One Invacare Way
Elyria, Ohio USA
44036-2125
440-329-6000
800-333-6900
Technical Services
440-329-6593
800-832-4707

EC	REP
----	-----

EU Representative
Invacare International Sarl
Route de Cité Ouest 2
1196 Gland
Switzerland
Tel: +41 22 354 60 10
Fax: +41 22 354 60 11

www.invacare.com

Manufactured by:
Invacare Corp.
2101 E. Lake Mary Blvd.
Sanford, FL 32773



All rights reserved. Trademarks are identified by [™] and [®].
All trademarks are owned by or licensed to Invacare Corporation unless otherwise noted.
© 2008 Invacare Corporation



Part No 1141477 Rev E - 09/08