



Customer information for placing a custom-made product on the market. Please fax the filled out form together with the dimension sheet to our fax no. +49 75 62 700-69!

The requested custom-made product is manufactured according to attached dimension sheet by the company:

AQUATEC GmbH
Alemannenstrasse 10
88316 Isny
Germany

To:
AQUATEC GmbH
(Customer service)
Alemannenstrasse 10
88316 Isny
Germany

Fax: +49 (0) 75 62 / 700-69

The custom-made product is for the patient:

Mr / Mrs _____

Street _____

Post code / City _____

By prescription of physician:

Name _____

Reachable at _____

This information is required for the production of a custom-made product according to article I, section 2d MDD.

Place _____

Stamp

Date, signature _____



Please fill in completely

- Request
- Order

Purchaser

Client no. _____
Stamp _____

Date, signature _____

Reference

Depth of bathtub* _____ **cm**

Drain	Headpart
<input type="checkbox"/> right	<input type="checkbox"/> right
<input type="checkbox"/> left	<input type="checkbox"/> left
<input type="checkbox"/> centre (of the bathtub)	

Free-standing bathtub

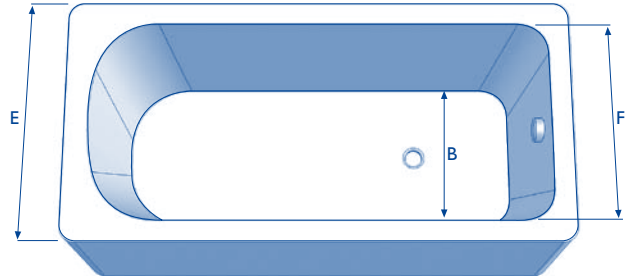
yes no

Colour covermat

white blue

The lift is individually made to fit your bathtub!
Please enter the dimensions of your bathtub in the illustration that fits your bathtub most.

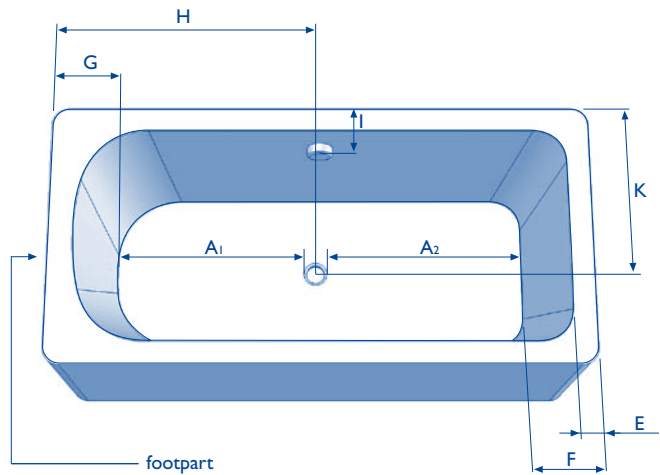
1



B	Bathtub width at the bottom	cm
E	Bathtub width outside	cm
F	Bathtub width at the top (inside)	cm

2

Additional dimensioning when the drain is in the centre



A1	Bathtub bottom to drain	cm
A2	Drain to curve	cm
E	Outer edge to inner edge (top)	cm
F	Outer edge to inner edge (bottom)	cm
G	Outer edge to inner edge (bottom)	cm
H	Outer edge to centre of drain/overflow	cm
I	Outer edge to outer edge overflow	cm
K	Outer edge to centre drain	cm

* Please place a wood plate or the like across the bathtub and measure the depth in the centre of the bathtub.

The purchaser is responsible for complete and correct measurements!



Please fill in completely

- Request
 Order

Purchaser _____
Client no. _____
Stamp _____

Date, signature _____

Reference _____

Depth of bathtub* _____ **cm**

Drain	Headpart
<input type="checkbox"/> right	<input type="checkbox"/> right
<input type="checkbox"/> left	<input type="checkbox"/> left
<input type="checkbox"/> centre (of the bathtub)	

Free-standing bathtub

yes no

Colour covermat

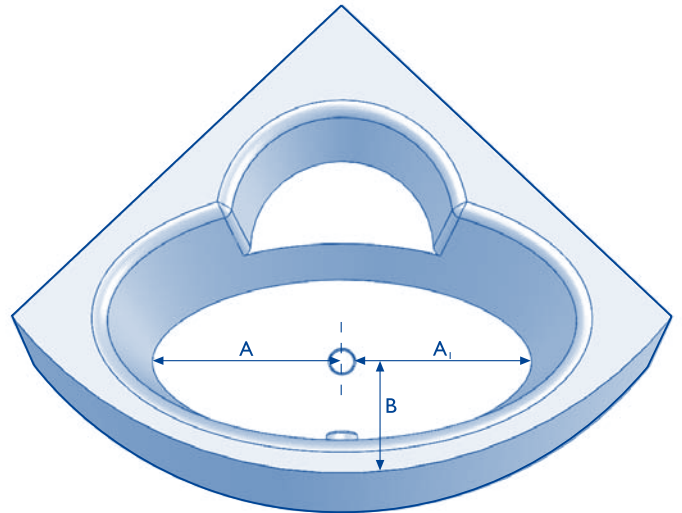
white blue

* Please place a wood plate or the like across the bathtub and measure the depth in the centre of the bathtub.

The purchaser is responsible for complete and correct measurements!

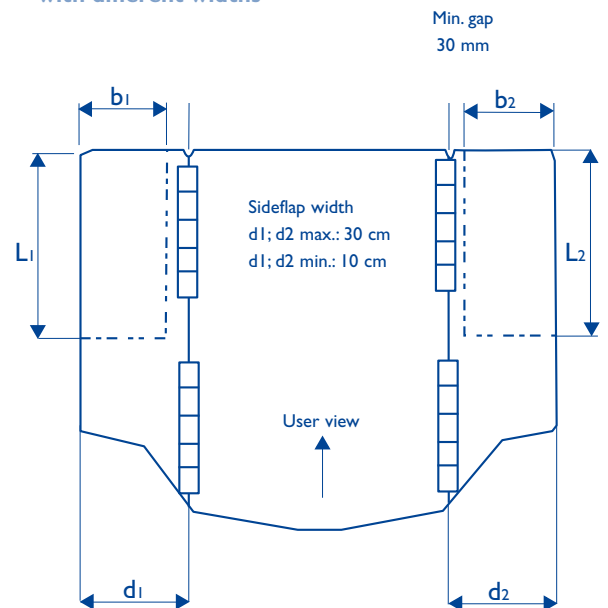
The lift is individually made to fit your bathtub!
Please enter the dimensions of your bathtub in the illustration that fits your bathtub most.

3 Dimensioning for corner bathtubs



A	Bottom curve to centre drain	cm
A1	Drain to curve	cm
B	Outer edge to centre drain	cm

4 Additional dimensioning for cut-outs or sideflaps with different widths



b1	Width cut-out left sideflap	cm
b2	Width cut-out right sideflap	cm
d1	Width left sideflap	cm
d2	Width right sideflap	cm
L1	Length cut-out left	cm
L2	Length cut-out right	cm