



*Für mehr Lebensqualität!*

## **Spare Parts Catalogue**

---

Version: 2008/09/04b NL

*Aquatec® Galaxy*



## **General Information**

*For any order of spare parts the following information is required:*

- Product type*
- Product name & model*
- Serial Number*
- Part-Number*
- Part-Description*

*Exploded view drawings and code numbers are not contractual and subject to modification, in relation to Invacare® continuous product improvement policy to meet end users needs.*

*The reproduction or use of this work, or of any substantial part of this work, in any form or by any electronic, mechanical or other means, including photocopying, scanning and recording, and in any information storage and retrieval system, including electronic transmission, is forbidden without the prior written permission of Invacare® International Sarl.*

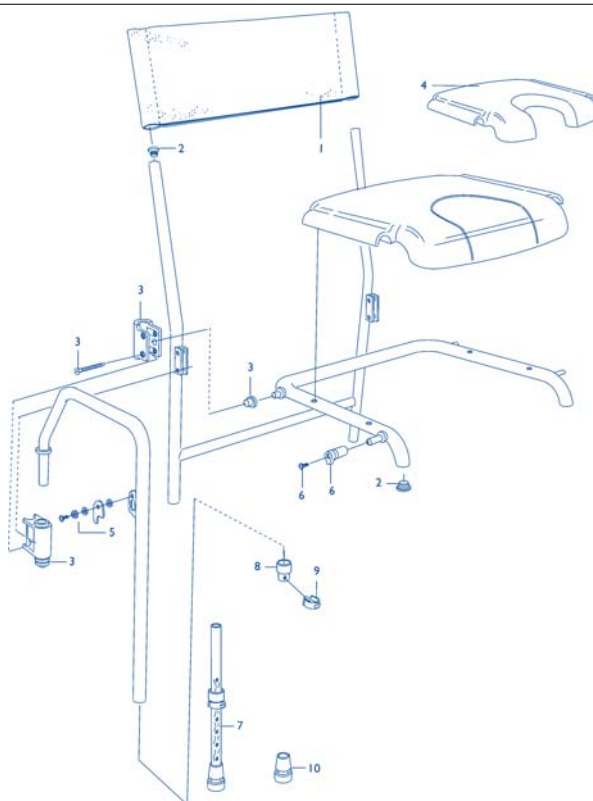


## **TABLE OF CONTENTS**

---

(Spare parts) .....	5
---------------------	---





	1470815	(Instruction manual Aquatec Galaxy)	1
1	1470809	Aquatec Galaxy rughoes	1
2	1470778	(end cap for Aquatec Tellus/Pluto/Galaxy / LagunaVip)	1
3	1470810	(connection (outside) f. Aquatec Galaxy)	1
4	1470777	Aquatec zitting met uitsparing	1
	1470776	Aquatec zitting zonder uitsparing	1
5	1470811	(folding lock Aquatec Galaxy)	1
6	1470812	(holder for seat frame incl. screw (1 pc))	1
7	1470779	Aquatec telescope leg complete	1
8	1470780	(transition cap Aquatec Mercure/Tellus/Pluto/Galaxy)	1
9	1470781	Aquatec clip Mercure/ Tellus/Pluto/Galax grijs	1
10	1470782	(rubber tip flexifoot (1 piece) for Aquatec Mercure/Tellus/Pluto/Galaxy)	1

**Belgium & Luxemburg:**

Invacare nv, Autobaan 22, B-8210 Loppem - Tel: (32) (0)50 83 10 10, Fax: (32) (0)50 83 10 11  
belgium@invacare.com

**Canada:**

Invacare Canada Inc., 570 Matheson Blvd. E., Unit 8, CDN Mississauga, On. L4Z 4G4,  
Tel: (1) (0)905 890 8300, Fax: (1) (0)905 890 5244  
amistry@invacare.com

**Danmark:**

Invacare A/S, Sdr. Ringvej 37, DK-2605 Brøndby - Tel: (45) (0)36 90 00 00, Fax: (45) (0)36 90 00 01  
denmark@invacare.com

**Deutschland:**

Invacare Aquatec GmbH, Alemannenstraße 10, D-88316 Isny - Tel: (49) (0)75 62 7 00 0, Fax: (49) (0)75 62 7 00 66  
info@invacare-aquatec.com

**España:**

Invacare SA, c/Areny s/n, Polígon Industrial de Celrà, E-17460 Celrà (Girona) - Tel: (34) (0)972 49 32 00, Fax: (34) (0)972 49 32 20  
contactsp@invacare.com

**France:**

Invacare Poirier SAS, Route de St Roch, F-37230 Fondettes - Tel: (33) (0)2 47 62 64 66, Fax: (33) (0)2 47 42 12 24  
contactfr@invacare.com

**Ireland:**

Invacare Ireland Ltd, Unit 5 Seatown Business Campus, Seatown Road, Swords, County Dublin – Ireland  
Tel: (353) 1 810 7084, fax: (353) 1 810 7085  
ireland@invacare.com

**Italia:**

Invacare Mecc San s.r.l., Via dei Pini 62, I-36016 Thiene (VI) - Tel: (39) 0445 38 00 59, Fax: (39) 0445 38 00 34  
italia@invacare.com

**Nederland:**

Invacare BV, Celsiusstraat 46, NL-6716 BZ Ede - Tel: (31) (0)318 695 757, Fax: (31) (0)318 695 758  
nederland@invacare.com, csede@invacare.com

**Norge:**

Invacare AS, Grensesvingen 9, Postboks 6230, Etterstad, N-0603 Oslo - Tel: (47) (0)22 57 95 00, Fax: (47) (0)22 57 95 01  
norway@invacare.com, island@invacare.com

**Österreich:**

Mobitec Mobilitätshilfen GmbH, Herzog Odilostrasse 101, A-5310 Mondsee - Tel: (43) 6232 5535 0, Fax: (43) 6232 5535 4  
office@mobitec-austria.com, austria@invacare.com

**Portugal:**

Invacare Lda, Rua Senhora de Campanhã 105, P-4369-001 Porto - Tel: (351) (0)225 1059 46/47, Fax: (351) (0)225 1057 39  
portugal@invacare.com

**Sverige & Suomi:**

Invacare AB, Fagerstagatan 9, S-163 91 Spånga - Tel: (46) (0)8 761 70 90, Fax: (46) (0)8 761 81 08  
sweden@invacare.com, finland@invacare.com

**Switzerland:**

Mobitec Rehab AG, Benkenstrasse 260, CH-4108 Witterswil - Tel: (41) (0)61 487 70 80, Fax: (41) (0)61 487 70 81  
office@mobitec-rehab.ch, switzerland@invacare.com

**United Kingdom:**

Invacare Ltd, South Road, Bridgend Industrial Estate, UK-Bridgend CF31 3PY, Tel: (44) (0)1656 664 321, Fax: (44) (0)1656 667 532  
UK@invacare.com

**USA:**

Clarke Health Care Products Inc., 1003 International Drive., USA-Oakdale, PA 15071-9226,  
Tel: (1) (0)724 69 52 122, Fax: (1) (0)724 69 52 922  
info@clarkehealthcare.com